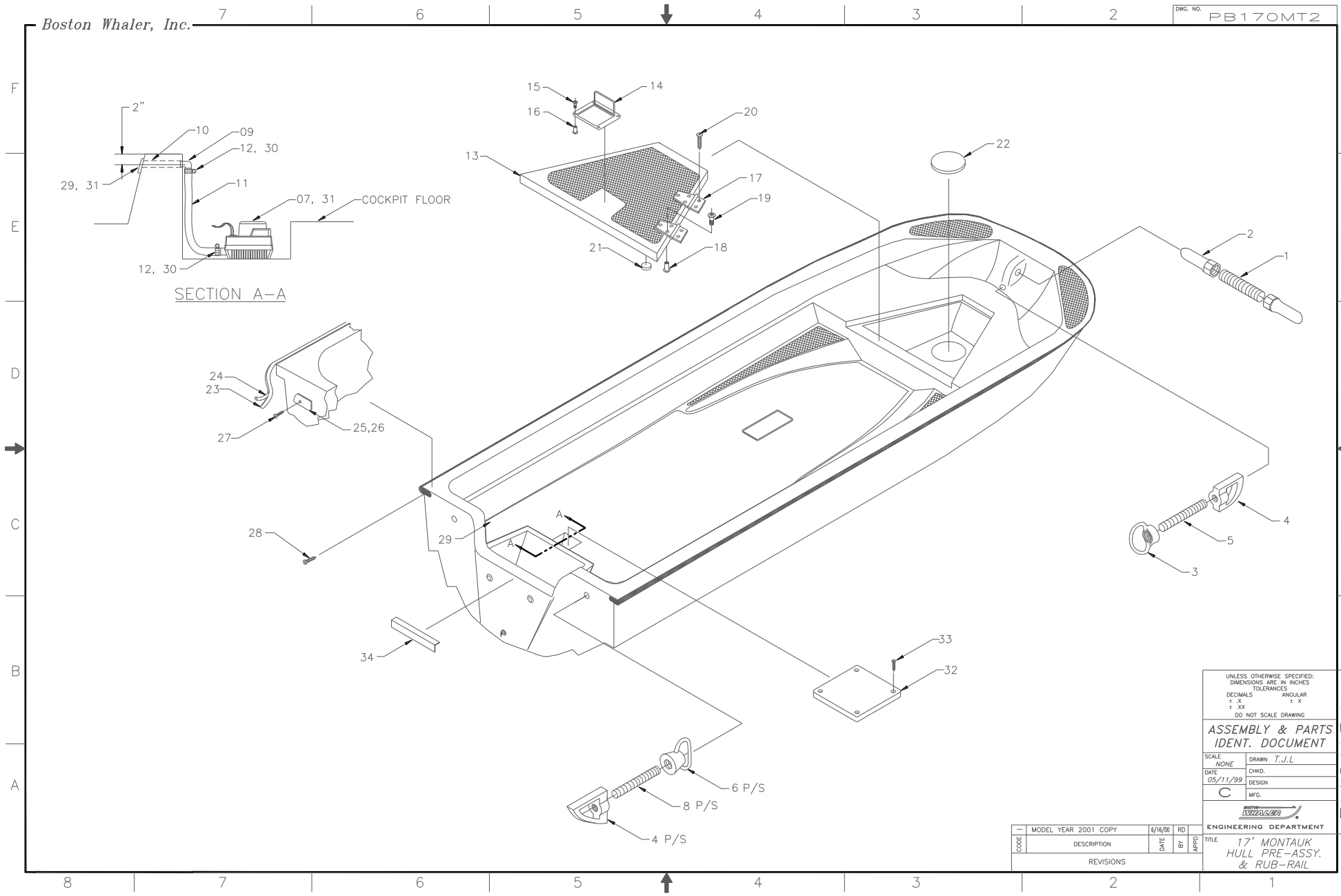


Boston Whaler, Inc.

DWG. NO. PB170MT2



SECTION A-A

COCKPIT FLOOR

UNLESS OTHERWISE SPECIFIED:
 DIMENSIONS ARE IN INCHES
 TOLERANCES
 DECIMALS ANGULAR
 ± .X ± X
 ± .XX ± .XX
 DO NOT SCALE DRAWING

ASSEMBLY & PARTS IDENT. DOCUMENT

SCALE	NONE	DRAWN	T.J.L.
DATE	05/11/99	CHKD.	
		DESIGN	
		MFG.	

ENGINEERING DEPARTMENT

TITLE: 17' MONTAUK HULL PRE-ASSY. & RUB-RAIL

CODE	DESCRIPTION	DATE	BY	APPROV
REVISIONS				

MODEL YEAR 2001 COPY 8/16/00 RD

DWG. NO. PB170MT2