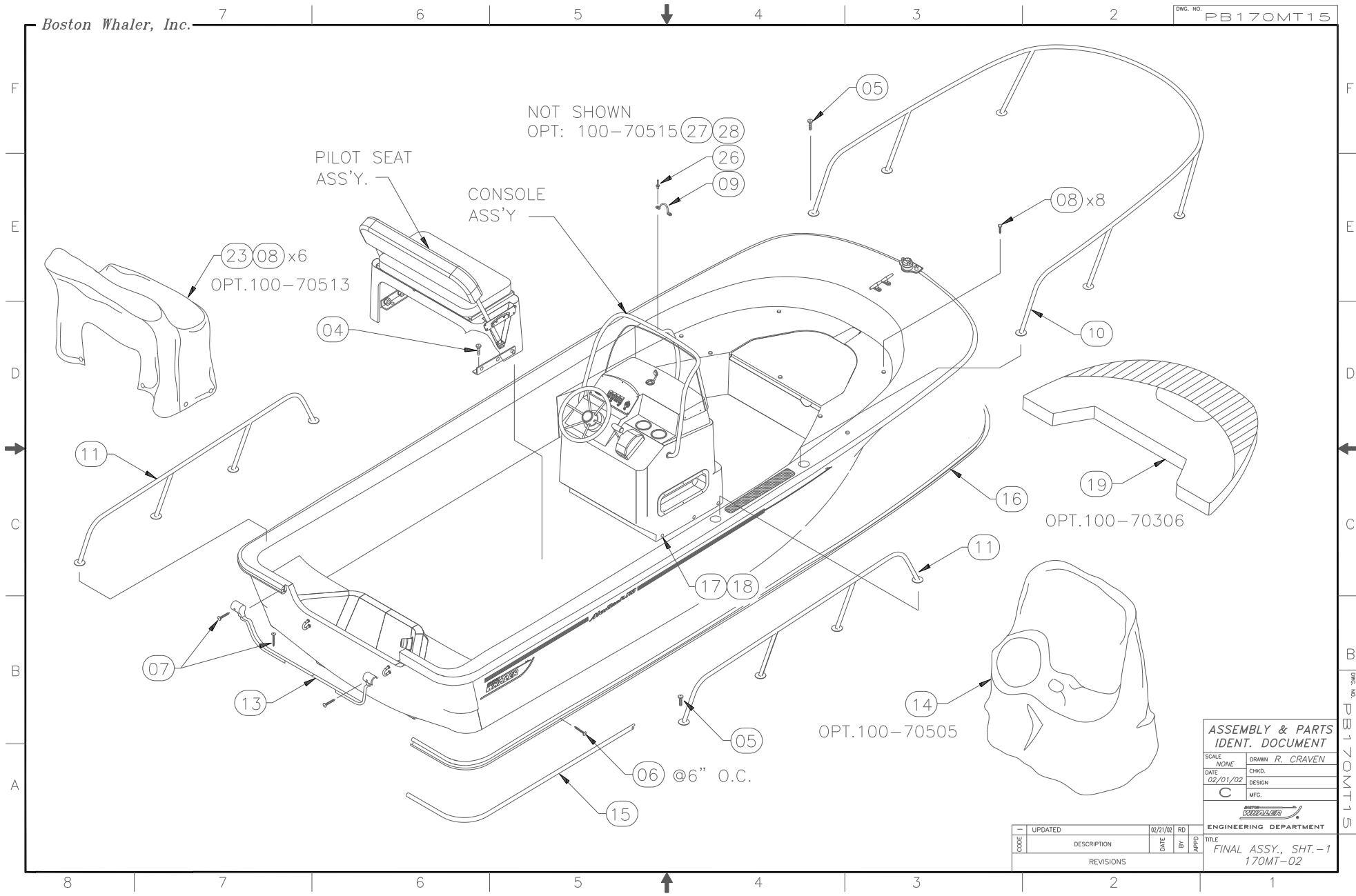


Boston Whaler, Inc.

DWG. NO. PB170MT15



ASSEMBLY & PARTS IDENT. DOCUMENT

SCALE	NONE	DRAWN	R. CRAVEN
DATE	02/01/02	CHKD.	
		DESIGN	
		MFG.	

ENGINEERING DEPARTMENT

TITLE: FINAL ASSY., SHIT.-1
170MT-02

CODE	DESCRIPTION	DATE	BY	APPROV
—	UPDATED	02/21/02	RD	
REVISIONS				

DWG. NO. PB170MT15