

# **2005 180SP**

# **PARTS MANUAL**

# **180**

# **SPORT**



Sea Ray® Parts Manual, 2005 180 SPORT MRP # 1772920

Sea Ray Boats, 2600 Sea Ray Blvd., Knoxville, TN 37914. For information call 1-800-SRBOATS or fax 1-314-213-7878 (USA and International).

Internet address: <http://www.searay.com>

Note: Not all accessories shown in pictures or described herein are standard equipment or even available as options.

Options and features are subject to change without notice.

Confirm the availability of all accessories and equipment with an authorized Sea Ray® dealer.

# 2005 180 SPORT

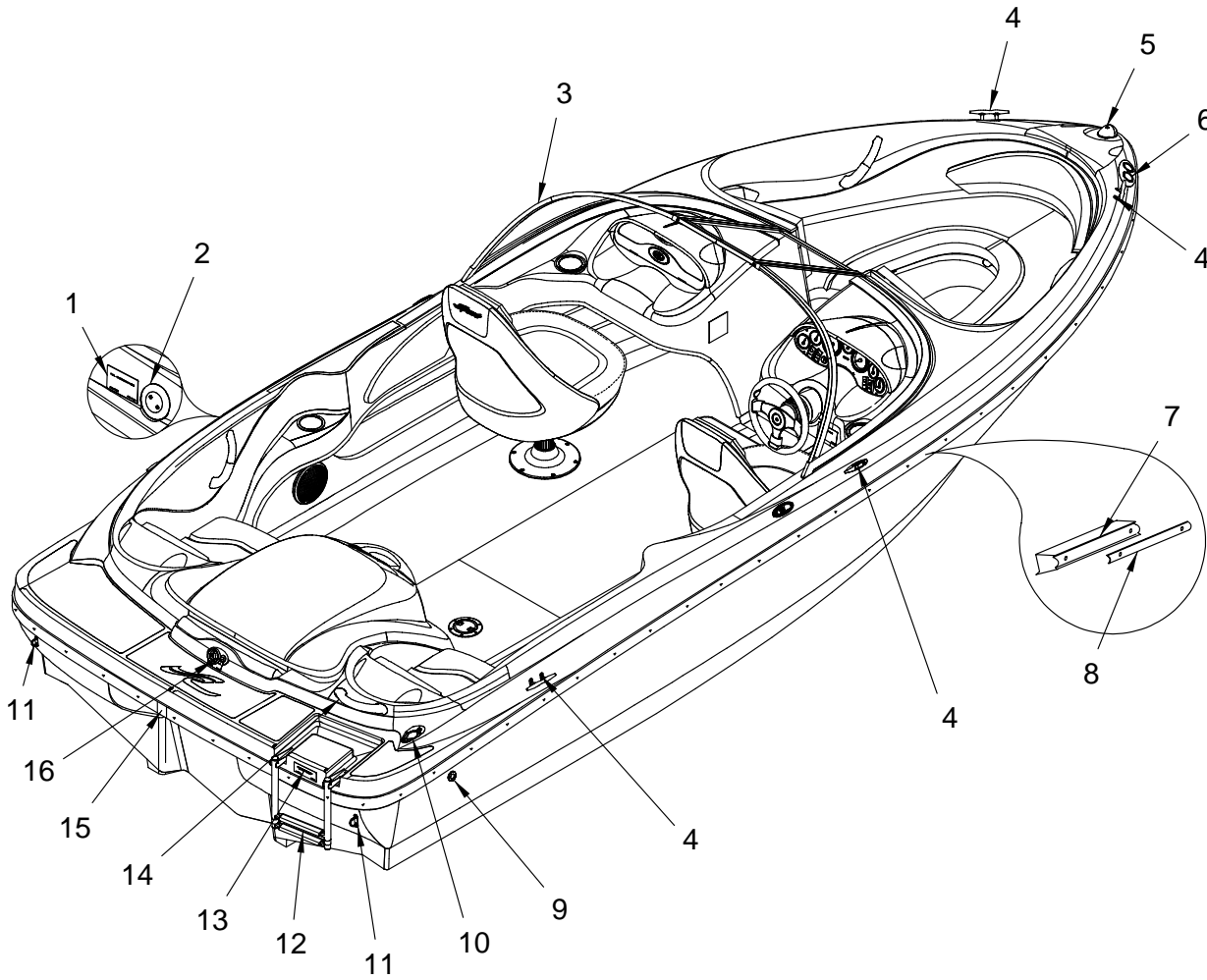
## TABLE OF CONTENTS



<u>STANDARD &amp; OPTIONAL LAYOUTS</u>	<u>PAGE</u>
EXTERIOR.....	1, 2
WATER SPORTS TOWER.....	3
EXTERIOR (GRAPHICS).....	4
CANVAS (BLUE).....	5, 6
CANVAS (GREEN).....	7, 8
CANVAS (RED).....	9, 10
CANVAS (BLACK).....	11, 12
CANVAS (CHARCOAL).....	13, 14
COCKPIT (PORT VIEW).....	15, 16
COCKPIT (STARBOARD VIEW).....	17
INSTRUMENT PANEL.....	18
COCKPIT (AFT VIEW).....	19, 20
COCKPIT (UPHOLSTERY).....	21, 22
COCKPIT (UPHOLSTERY) TWO BUCKET WITH SUNPAD AFT BENCH	
SEATING.....	23
MULTI-INFO PACKET.....	24
RIVERVIEW HARDWARE.....	25
BILGE.....	26
STEERING SYSTEM.....	27, 28
FUEL SYSTEM.....	29

<u>OPTIONS - PARTS LIST</u>	<u>PAGE</u>
3.0L ALPHA (135 PHP) MCM STERN DRIVE.....	30
2 BUCKETS / SUNPAD / AFT FULL BENCH SEAT.....	30
STANDARD PAINTED TRAILER.....	30
CANVAS PACKAGE.....	30
OPEN MOLDING PROCESS.....	30
DEPTH FINDER.....	30
BIMINI TOP & BOOT.....	30
19" BLACK MAX PROP.....	30
FM-200 OPT. FIRE SUPPRESSION SYS-CAN.& AUS.....	30
SNAP-IN CARPET COCKPIT.....	30
TWO TONE GELCOAT GRAPHICS.....	30
STBD BUCKET/PORT B/B /MOTOR BOX /JUMP SEATS.....	30
TRAVEL / STORAGE COVER.....	30
COCKPIT COVER W/ TONNEAU COVER.....	30
GALVANIZED TRAILER.....	30
C E OPTION GROUP.....	30
C E FIRE SYSTEM - EUROPEAN DEALERS ONLY.....	30
2.4 TO 1 ALPHA HIGH ALTITUDE GEAR RATIO.....	30
OWNER ORIENTATION VIDEO - PAL FORMAT.....	30
CANADIAN CONFORMITY STICKER.....	30
PREMIER STEREO UPGRADE - W/ REMOTE AT HELM.....	30
SPORTS TOWER W/BIMINI TOP & WAKEBOARD RACKS.....	30
PAINTED TRAILER W/ BRAKES.....	30
GALVANIZED TRAILER W/ DISC BRAKES.....	30

EXTERIOR



**EXTERIOR**

- 1 1745157 LABEL, FUEL RECOMMENDATION
- 2 1109354 DECK PLATE, GAS CHR W/VENT 45DG NCK RED CODE  
(HULL# 2304 -> UP)
- 1771034 DECK PLATE, GAS CHR W/VNT 45DG NCK RED W/CONN  
(HULL# 1001 -> 2303)
- 1068592 KEY, DECK PLATE CAP
- 1213867 DECK PLATE, CAP W/CHAIN GAS (FOR #1109354)
- 1098615 DECK PLATE, GAS CHR W/VENT (SHIM ONLY)
- 3 1776710 W/S, 180SP-05 CMPLT W/P&S SPRTS W/SNP CLK TRK  
(NOTE: W/S PARTS ORDER DIRECT FROM TAYLOR)
- 1779851 W/S, 180SP-05 PRT FRNT  
(NOTE: W/S PARTS ORDER DIRECT FROM TAYLOR)
- 1779852 W/S, 180SP-05 STB FRNT  
(NOTE: W/S PARTS ORDER DIRECT FROM TAYLOR)
- 1779853 W/S, 180SP-05 CTR DOOR  
(NOTE: W/S PARTS ORDER DIRECT FROM TAYLOR)
- 1779854 W/S, 180SP-05 HDWR KIT  
(NOTE: W/S PARTS ORDER DIRECT FROM TAYLOR)
- 4 1777986 CLEAT, 6" SEA RAY SS 2-BOLT
- 1473040 PLATE, BACKING UNIVERSAL 3/16"
- 5 1771010 LIGHT, NAV COMBO BOW SS REV1 W/CONN
- 1423946 BULB, REPL FOR #1414895 12V
- 1798057 LIGHT, NAV COMBO BOW LENS CVR ONLY
- 6 1413475 HORN, DUAL BLK W/SPADE CONNECTORS SERIES 84
- 1401736 HORN, GRILL DUAL SS OVERLAY SERIES 84
- 7 1575760 RUBRAIL, VINYL RIGID PEARL 16'
- 8 1575778 INSERT, RUB RAIL GREY FLEX VINYL
- 9 1098417 THRU-HULL, PLAS 1 1/8" PRL
- 10 1771002 LIGHT, NAV BASE ONLY STRN TEARDROP RV1 W/CONN
- 929042 LIGHT, NAV A/R STERN 54"13DEG RG THRNUT
- 934083 LIGHT, NAV A/R STERN 75"13DEG RG THRNUT  
(BIMINI TOP & BOOT)
- 1205665 BULB, STERN NAV LIGHT REPL FOR#929042/#934083
- 11 697508 EYE, BOW 3/8"X 2.75"
- 1473040 PLATE, BACKING UNIVERSAL 3/16"
- 12 1085166 LADDER, SWIM SS 2-STEP TELESCOP
- 1213875 LADDER, BRKT (FOR #1085166)
- 1213883 LADDER, STEP PAD (FOR #1085166/1256155)
- 1342138 CAP, LADDER END TOP FOR #1085166/1256155
- 1342146 CAP, LADDER END BTM FOR #1085166/1256155
- 13 1745519 LABEL, DANGER SHUT OFF ENG WHEN NEAR SWIMMERS
- 14 1396712 HANDLE, GRAB PRL STRAIGHT REV1
- 15 1156249 CLIP, TRANSOM GUNNEL PRL
- 16 202481 SKI EYE, TRANSOM MT 3/8"X 2.5"DIA X 2.5"LEG
- 1473040 PLATE, BACKING UNIVERSAL 3/16"
- 1745125 LABEL, SKI TOW ROPE BACKLASH

**LABELS**

- 129122 LABEL, NMMA CERTIFIED
- 1750455 DECAL, STRUCTURAL WARRANTY SPRTBT
- 1791388 DECAL, MERCURY CERTIFIED INSTALLER  
(HULL# 1553 -> UP)
- 1750454 DECAL, SEA RAY OWNERS CLUB (NBOA) RV

**NOT SHOWN**

- 156893 WEBBING, POLYPROPYLENE 1" BLACK
- 1690996 FLANGE, RED BRASS DRAIN PLUG 1.25"

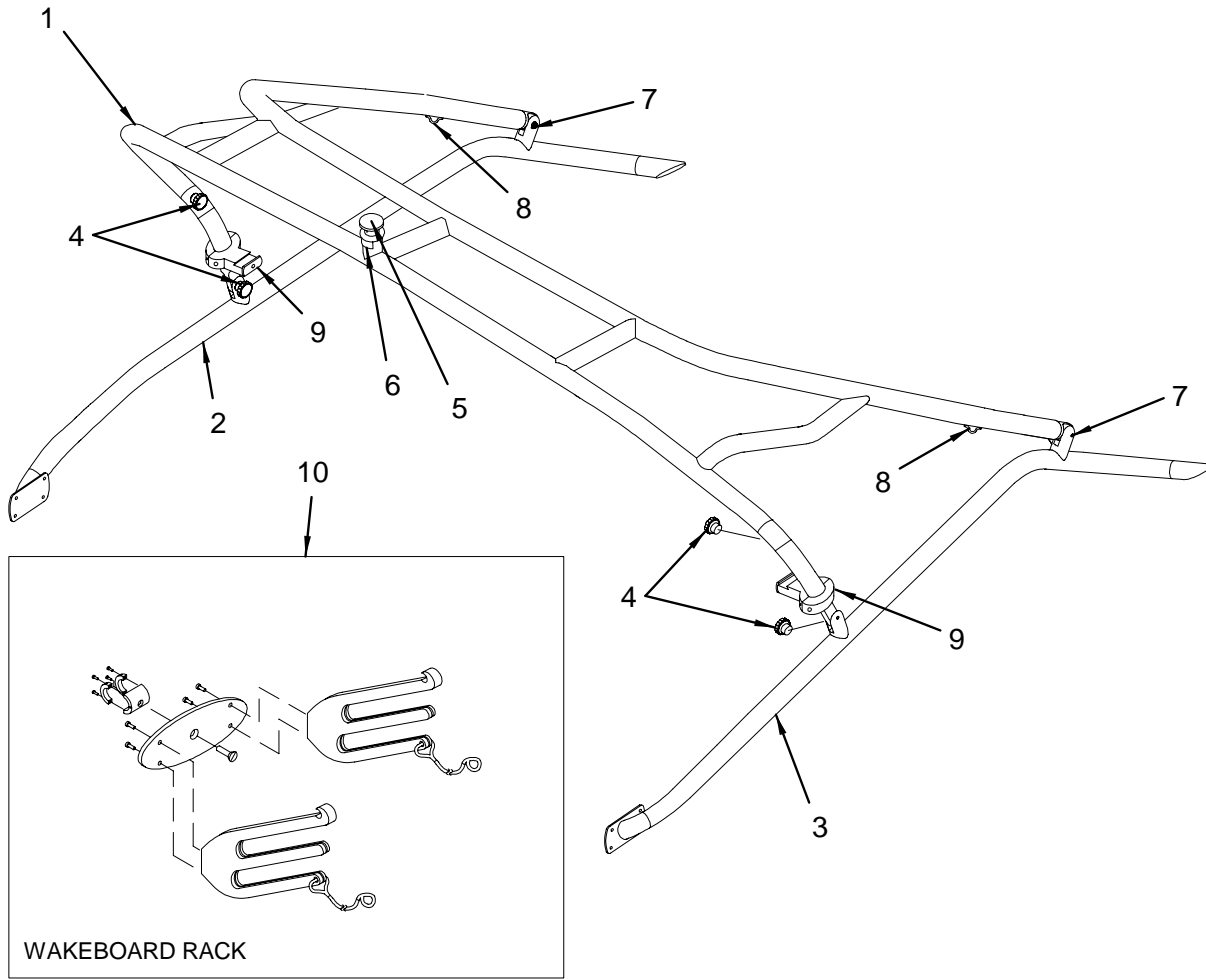
**TRAILER**

- 1754752 TRAILER, 180BR-04 PRL SWING TONGUE FIXED AXLE  
(STANDARD TRAILER)
- 1752098 TIRE, W/RIM MORTON SLVR 185/80R13C MAXXIS  
(STANDARD TRAILER)
- 1755481 TAPE, APP TRAILER 04 MAGNESIUM  
(STANDARD PAINTED TRAILER)
- 1616408 TRAILER, 176BR-02 GALV BLK SWING TNG FXD AXLE  
(GALVANIZED TRAILER)
- 1752097 TIRE, W/RIM GALV 185/80R13C MAXXIS RADIAL  
(GALVANIZED TRAILER)
- 1754751 TRAILER, 180BR-04 SWING-TONGUE W/BRKS PRL  
(PAINTED TRAILER W/BRAKES)
- 1616390 TRAILER, 176BR-02 SWING-TONG W/DSC BRKS GALV  
(GALVANIZED TRAILER W/DISC BRAKES)
- 585836 TIE DOWN STRAP, TRANSOM W/HOOKS

**VAC PACK**

- 413070 TAPE, VAC PAK WHT (2"X 36YDS) PRESERVATION
- 468934 TAPE, VAC PAK WHT (4"X 36YDS) PRESERVATION
- 689158 BUBBLE PACK, ADH 24"X 1000'
- 1617570 VINYL FILM, 176BR-02 PLAS CVR
- 1727511 EMBLEM, VACPAC SR LOGO W/ISO/CE SML

**WATER SPORTS TOWER**



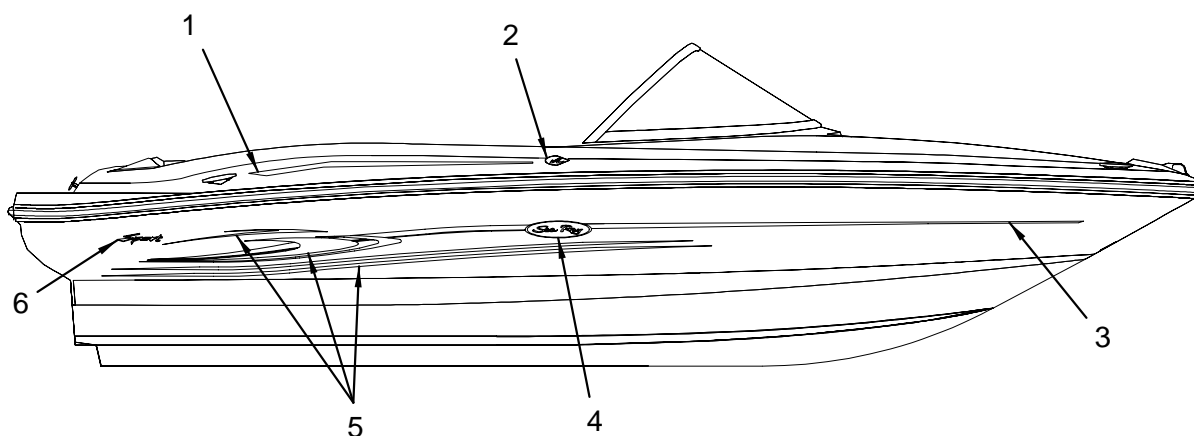
**WATER SPORTS TOWER**

**HARDWARE**

- 1 1770198 TOWER, 180SP-04 ALUM WTR SPRTS
- 1770559 TOWER, 200SP-04 WTR SPRTS HDWR KIT  
(SEE HARDWARE FOR SEPARATE COMPONENTS)  
(SAME HARDWARE KIT USED FOR 180SP)
- 2 1773179 TOWER, 200SP-04 WTR SPRTS TWR PRT RAIL ASSY
- 3 1773178 TOWER, 200SP-04 WTR SPRTS TWR STB RAIL ASSY
- 4 1773172 KNOB, WATER SPORTS TWR KNOB ASSY SOFT TOUCH
- 5 1747321 TOWER, 200BR SKI POLE ACCY WTR SPRTS
- 6 1745125 LABEL, SKI TOW ROPE BACKLASH
- 7 1762805 SCREW, CAP 3/8" SCH UNC WTR SPRTS TWR
- 1762804 WASHER, WATER SPORTS TWR LEG NYLON
- 8 148031 EYE, STRAP EYE TIE-DOWN  
(SUPPLIED BY CANVAS VENDOR, INSTALLED BY PLANT)
- 9 1773248 CLAMP, WTR SPORTS TWR DECK HINGE SUPPORT ASSY  
(SUPPLIED BY CANVAS VENDOR, INSTALLED BY PLANT)
- 10 1783635 SUPPORT, SR-05 ALUM WAKEBOARD RACK ANODIZED  
(INDIVIDUAL COMPONENTS NOT SOLD SEPARATELY AT THIS TIME)
- 1799419 SUPPORT, SR-05 ALUM WAKEBOARD RACK HDWR KIT  
(HARDWARE KIT NOW SOLD SEPARATELY)
- 1443191 EMBLEM, S/R WAVE 5" OVAL CHR TRNSM  
(LABEL NOW SOLD SEPARATELY)

- 1773173 BOLT, WATER SPORTS TWR 5/8"
- 1773174 NUT, NYLON LOCK 5/8" WTR SPRTS TWR
- 1773175 WASHER, WATER SPORTS TWR 5/8" FENDER
- 1747371 BOLT, WATER SPORTS TWR 1/4-20-3"
- 1747372 NUT, NYLON LOCK 1/4-20 WTR SPRTS TWR
- 1747373 WASHER, WATER SPORTS TWR 1/4-20 FENDER
- 1773176 GASKET, WATER SPORTS TWR RND
- 1773177 GASKET, WATER SPORTS TWR RECTANGLE MNT

## EXTERIOR (GRAPHICS)



## EXTERIOR (GRAPHICS)

- 1 1747658 TAPE, APP SPRT-04 GRANITE DECK STB
- 1747659 TAPE, APP SPRT-04 GRANITE DECK PRT
- 2 1753613 EMBLEM, MODEL DESG 180 DECK OVL URETH CHR/BLK
- 3 1754395 TAPE, M/S 3/4" N/VOID SLVR/GRANITE
- 4 1610211 EMBLEM, S/R LOGO SCRIPT HULL URETH CHR 13"
- 5 1747651 TAPE, APP SPRT-04 SLVRMET/REGLANT HULL AFT ST
- 1747657 TAPE, APP SPRT-04 SLVRMET/REGLANT HULL AFT PT
- 6 1747650 TAPE, MODEL DESG SPRT SCRPT 9.5"BLK W/SLVR

## GELCOATS

- 1425347 GEL COAT, ENVIROTECH SR BILGE PEARL
- 1136092 GEL COAT, PEARL PX/TL
- 1687628 GEL COAT, MAXGUARD MIDNIGHT BLUE  
(TWO TONE GELCOAT GRAPHICS)
- 1310424 GEL COAT, HNTR GRN  
(TWO TONE GELCOAT GRAPHICS)
- 1690845 GEL COAT, JET BLK  
(TWO TONE GELCOAT GRAPHICS)
- 1791044 GEL COAT, VIBRANT YELLOW  
(HULL# 1332 -> UP - TWO TONE GELCOAT GRAPHICS)
- 1690266 GEL COAT, YELLOW ARMORCOTE  
(HULL# 1001 -> 1331 - TWO TONE GELCOAT GRAPHICS)
- 1690265 GEL COAT, RED ARMORCOTE  
(TWO TONE GELCOAT GRAPHICS)

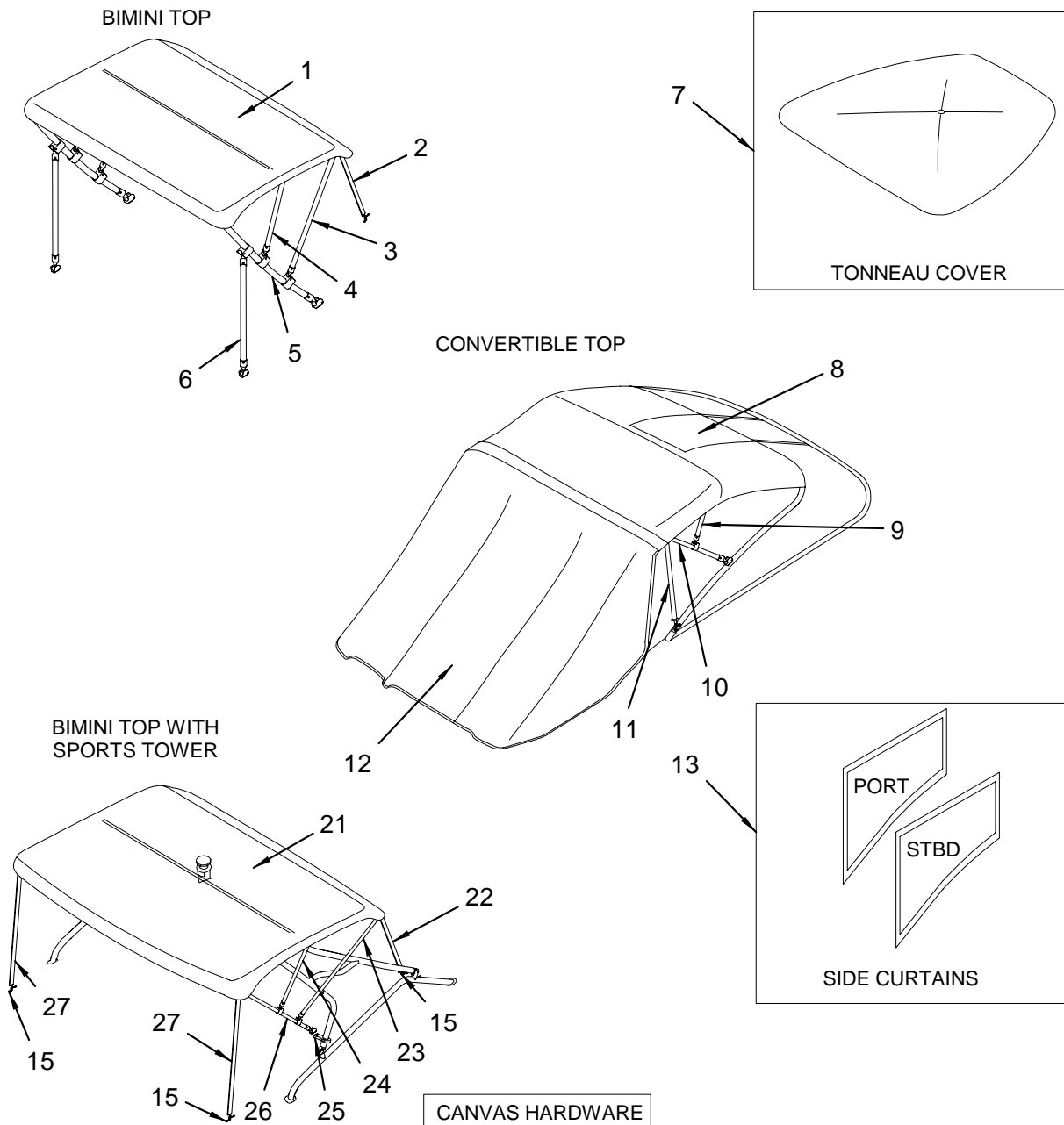
## GRAPHICS KIT

- 1748355 GRAPHICS KIT, 180BRSPRT-04 SLVRMET/REGLANT

## NOT SHOWN

- 1761773 TAPE, SOLID 1/2" PEARL  
(TWO TONE GELCOAT GRAPHICS - USED TO BREAK COLORED  
GELCOAT AND PEARL GELCOAT AREA)  
(NOTE: KIT DOES NOT CONTAIN M/S TAPES OR EMBLEMS)

CANVAS (BLUE)



CANVAS HARDWARE						
END CAP	EYE STRAP TIE DOW	JAW SLIDE	PULL PIN W/LANYARD	RADIUS HINGE	STRAIGHT HINGE	PLASTIC REPLACEMENT INSERT
14	15	16	17	18	19	20

## CANVAS (BLUE)

- 1 1781953 CANVAS, 180SP-05 BIM TOP CAPT NAVY
- 1781954 CANVAS, 180SP-05 BIM TOP BOOT W/EMB CAPT NAVY
- 1788103 CANVAS, 180SP-05 BIM TOP FAB CAPT NAVY
- 1788107 CANVAS, 180SP-05 BIM TOP BOWS W/HDWR
- 1788108 CANVAS, 180SP-05 BIM TOP HDWR MNTG PKG
- 2 1788109 CANVAS, 180SP-05 BIM TOP FWD STRAP BLK
- 3 1788110 CANVAS, 180SP-05 BIM TOP BOW2 W/HDWR
- 4 1788111 CANVAS, 180SP-05 BIM TOP BOW3 W/HDWR
- 5 1788112 CANVAS, 180SP-05 BIM TOP MAIN BOW W/HDWR
- 6 1788113 CANVAS, 180SP-05 BIM TOP REAR STANCH
- 7 1781955 CANVAS, 180SP-05 TONNEAU CVR CAPT NAVY U/CKPT
- 148429 POLE, TONNEAU COVER SUPPORT ADJ
- 8 1781958 CANVAS, 180SP-05 CONV TOP CAPT NAVY SEAMARK
- 1781959 CANVAS, 180SP-05 CONV TOP BOOT CAPT NAVY
- 1788114 CANVAS, 180SP-05 CONV TOP FAB CAPT NAVY
- 1788131 CANVAS, 180SP-05 CTOP BOWS W/HDWR
- 1788132 CANVAS, 180SP-05 CTOP HDWR MNTG PKG
- 1788154 CANVAS, 180SP-05 CTOP TOP STRAP
- 9 1788155 CANVAS, 180SP-05 CTOP BOW2 W/HDWR
- 10 1788156 CANVAS, 180SP-05 CTOP MAIN BOW W/HDWR
- 11 1788157 CANVAS, 180SP-05 CTOP REAR STANCH/STRAP
- 12 1781961 CANVAS, 180SP-05 AFT CURT CAPT NAVY
- 1781964 CANVAS, 180SP-05 AFT CURT SNPD CAPT NAVY  
(SUNPAD / AFT FULL BENCH SEAT)
- 13 1781960 CANVAS, 180SP-05 SIDE CURT SET CAPT NAVY
- 1788158 CANVAS, 180SP-05 CTOP SIDE CURT PRT CAPT NAVY
- 1788162 CANVAS, 180SP-05 CTOP SIDE CURT STB CAPT NAVY
- 1781963 CANVAS, 180SP-05 SIDE CURT SET SNPD CAPT NAVY  
(SUNPAD / AFT FULL BENCH SEAT)
- 1788166 CANVAS, 180SP-05 CTOP SIDE CURT SNPD PRT CNVY  
(SUNPAD / AFT FULL BENCH SEAT)
- 1788170 CANVAS, 180SP-05 CTOP SIDE CURT SNPD STB CNVY  
(SUNPAD / AFT FULL BENCH SEAT)
- 14 1760354 CAP, SS EYE END BALL/SOCKET TYPE
- 15 148031 EYE, STRAP EYE TIE-DOWN
- 16 1760355 SLIDE, JAW SLIDE BALL/SOCKET TYPE SS
- 17 1357854 PIN, PULL 1.25" TOGGLE W/RING LNYRD SPRING SS
- 1760595 PIN, PULL BALL/SOCKET TYPE W/RING LNYRD BLK
- 18 1760357 HINGE, DECK RADIUS BALL/SOCKET TYPE SS
- 19 1760356 HINGE, DECK FLAT BALL/SOCKET TYPE SS
- 20 1760358 INSERT, DECK HINGE BALL/SOCKET BLK
- 21 1781967 CANVAS, 200/180/185SP-05 BIM TOP W/TWR CAPTNAV
- 1781968 CANVAS, 200/180/185SP-05 BIM BOOT TWR CAPT NV
- 1789972 CANVAS, 180/185/200SP-05 BTOP FAB W/TWR CNVY
- 1789976 CANVAS, 180/185/200SP-05 BTOP TWR BOWS W/HDWR
- 1789981 CANVAS, 180/185/200SP-05 BTOP W/TWR MNTG PKG
- 22 1789982 CANVAS, 180/185/200SP-05 BTOP TWR FWD STRAP
- 23 1789978 CANVAS, 180/185/200SP-05 BTOP W/TWR 2ND BOW
- 24 1789979 CANVAS, 180/185/200SP-05 BTOP W/TWR 3RD BOW
- 25 1773248 CLAMP, WTR SPORTS TWR DECK HINGE SUPPORT ASSY
- 26 1789977 CANVAS, 180/185/200SP-05 BTOP W/TWR MAIN BOW
- 1789980 CANVAS, 180/185/200SP-05 BTOP TWR MNBOW LGEXT
- 27 1789983 CANVAS, 180/185/200SP-05 BTOP TWR REAR STRAP

## COCKPIT COVER

- 1781962 CANVAS, 180SP-05 BIM CPC N/SNPS CAPT NAVY  
(CANVAS PACKAGE)
- 1781956 CANVAS, 180SP-05 CPC W/SNPS CAPT NAVY  
(COCKPIT COVER W/TONNEAU COVER)
- 1781957 CANVAS, 180SP-05 BIM CPC W/SNPS CAPT NAVY  
(COCKPIT COVER W/TONNEAU W/BIMINI TOP & BOOT)
- 1781966 CANVAS, 180SP-05 CPC W/SNPS SNPD CAPT NAVY  
(COCKPIT COVER W/TONNEAU W/SUNPAD)
- 1781965 CANVAS, 180SP-05 BIM CPC N/SNPS SNPD CAPT NAVY  
(CANVAS PACKAGE W/SUNPAD)
- 1785966 CANVAS, 180SP-05 BIM CPC W/SNPS SNPD CAPT NAVY  
(COCKPIT COVER W/TONNEAU W/BIMINI TOP & BOOT  
W/SUNPAD)
- 148411 POLE, CKPT CVR SUPPORT ADJ

## NOT SHOWN

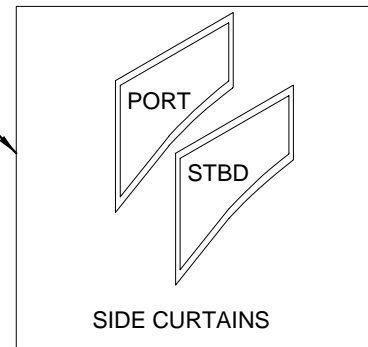
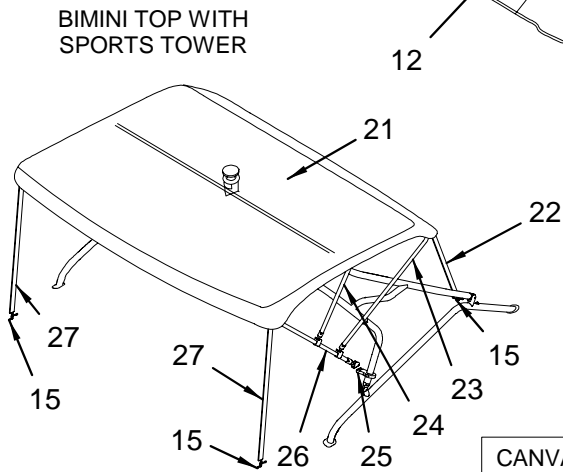
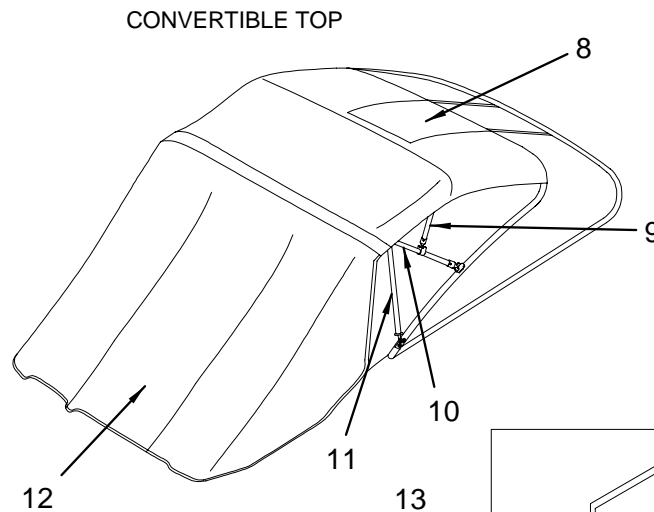
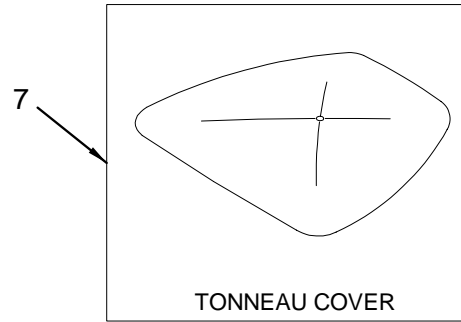
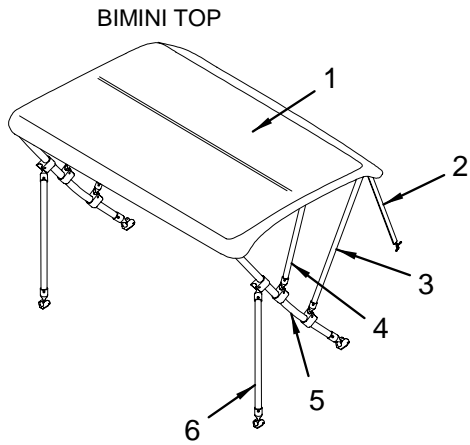
- 1617539 CANVAS, 176BR-02 TRAV STRG CVR CLDBRST  
(TRAVEL / STORAGE COVER)
- 1747456 CANVAS, 180BRSPRT-04 SNPD BLKHD FLAP PTY  
(2 BUCKETS / SUNPAD / AFT FULL BENCH SEAT)

## STORAGE BAG

- 1092162 CANVAS, STRG BAG 12X38 CLOUDBRST TONNEAU/CKPT  
(CANVAS PACKAGE)  
(COCKPIT COVER W/ TONNEAU COVER)



CANVAS (GREEN)



CANVAS HARDWARE

END CAP	EYE STRAP TIE DOW	JAW SLIDE	PULL PIN W/LANYARD	RADIUS HINGE	STRAIGHT HINGE	PLASTIC REPLACEMENT INSERT
14	15	16	17	18	19	20

## CANVAS (GREEN)

- 1 1783332 CANVAS, 180SP-05 BIM TOP HNTR
- 1748540 CANVAS, 180BRSPRT-04 BIM TOP BOOT W/EMB HNTR
- 1788104 CANVAS, 180SP-05 BIM TOP FAB HNTR
- 1788107 CANVAS, 180SP-05 BIM TOP BOWS W/HDWR
- 1788108 CANVAS, 180SP-05 BIM TOP HDWR MNTG PKG
- 2 1788109 CANVAS, 180SP-05 BIM TOP FWD STRAP BLK
- 3 1788110 CANVAS, 180SP-05 BIM TOP BOW2 W/HDWR
- 4 1788111 CANVAS, 180SP-05 BIM TOP BOW3 W/HDWR
- 5 1788112 CANVAS, 180SP-05 BIM TOP MAIN BOW W/HDWR
- 6 1788113 CANVAS, 180SP-05 BIM TOP REAR STANCH
- 7 1748580 CANVAS, 180BRSPRT-04 TONNEAU CVR HNTR
- 148429 POLE, TONNEAU COVER SUPPORT ADJ
- 8 1783335 CANVAS, 180SP-05 CONV TOP HNTR SEAMARK
- 1748574 CANVAS, 180BRSPRT-04 CONV TOP BOOT HNTR
- 1788115 CANVAS, 180SP-05 CONV TOP FAB HNTR
- 1788131 CANVAS, 180SP-05 CTOP BOWS W/HDWR
- 1788132 CANVAS, 180SP-05 CTOP HDWR MNTG PKG
- 1788154 CANVAS, 180SP-05 CTOP TOP STRAP
- 9 1788155 CANVAS, 180SP-05 CTOP BOW2 W/HDWR
- 10 1788156 CANVAS, 180SP-05 CTOP MAIN BOW W/HDWR
- 11 1788157 CANVAS, 180SP-05 CTOP REAR STANCH/STRAP
- 12 1783341 CANVAS, 180SP-05 AFT CURT HNTR
- 1783347 CANVAS, 180SP-05 AFT CURT SNPD HNTR  
(SUNPAD / AFT FULL BENCH SEAT)
- 13 1783338 CANVAS, 180SP-05 SIDE CURT SET HNTR
- 1788159 CANVAS, 180SP-05 CTOP SIDE CURT PRT HNTR
- 1788163 CANVAS, 180SP-05 CTOP SIDE CURT STB HNTR
- 1783344 CANVAS, 180SP-05 SIDE CURT SET SNPD HNTR  
(SUNPAD / AFT FULL BENCH SEAT)
- 1788167 CANVAS, 180SP-05 CTOP SIDE CURT SNPD PRT HNTR  
(SUNPAD / AFT FULL BENCH SEAT)
- 1788171 CANVAS, 180SP-05 CTOP SIDE CURT SNPD STB HNTR  
(SUNPAD / AFT FULL BENCH SEAT)
- 14 1760354 CAP, SS EYE END BALL/SOCKET TYPE
- 15 148031 EYE, STRAP EYE TIE-DOWN
- 16 1760355 SLIDE, JAW SLIDE BALL/SOCKET TYPE SS
- 17 1357854 PIN, PULL 1.25" TOGGLE W/RING LNYRD SPRING SS
- 1760595 PIN, PULL BALL/SOCKET TYPE W/RING LNYRD BLK
- 18 1760357 HINGE, DECK RADIUS BALL/SOCKET TYPE SS
- 19 1760356 HINGE, DECK FLAT BALL/SOCKET TYPE SS
- 20 1760358 INSERT, DECK HINGE BALL/SOCKET BLK
- 21 1785038 CANVAS, 180/185/200SP-05 BIM TOP W/TWR HNTR
- 1760042 CANVAS, 200/180/185SP-04 BIM BOOT W/TWR HNTR
- 1789973 CANVAS, 180/185/200SP-05 BTOP FAB W/TWR HNTR
- 1789976 CANVAS, 180/185/200SP-05 BTOP TWR BOWS W/HDWR
- 1789981 CANVAS, 180/185/200SP-05 BTOP W/TWR MNTG PKG
- 22 1789982 CANVAS, 180/185/200SP-05 BTOP TWR FWD STRAP
- 23 1789978 CANVAS, 180/185/200SP-05 BTOP W/TWR 2ND BOW
- 24 1789979 CANVAS, 180/185/200SP-05 BTOP W/TWR 3RD BOW
- 25 1773248 CLAMP, WTR SPORTS TWR DECK HINGE SUPPORT ASSY
- 26 1789977 CANVAS, 180/185/200SP-05 BTOP W/TWR MAIN BOW
- 1789980 CANVAS, 180/185/200SP-05 BTOP TWR MNBOW LGEXT
- 27 1789983 CANVAS, 180/185/200SP-05 BTOP TWR REAR STRAP

## COCKPIT COVER

- 1749027 CANVAS, 180BRSPRT-04 BIM CPC N/SNPS HNTR  
(CANVAS PACKAGE)
- 1749035 CANVAS, 180BRSPRT-04 BIM CPC W/SNPS HNTR  
(COCKPIT COVER W/TONNEAU COVER)
- 1749035 CANVAS, 180BRSPRT-04 BIM CPC W/SNPS HNTR  
(COCKPIT COVER W/TONNEAU W/BIMINI TOP & BOOT)
- 1748554 CANVAS, 180BRSPRT-04 CPC W/SNPS SNPD HNTR  
(COCKPIT COVER W/TONNEAU W/SUNPAD)
- 1748565 CANVAS, 180BRSPRT-04 BIM CPC N/SNPS SNPD HNTR  
(CANVAS PACKAGE W/SUNPAD)
- 1748584 CANVAS, 180BRSPRT-04 BIM CPC W/SNPS SNPD HNTR  
(COCKPIT COVER W/TONNEAU W/BIMINI TOP & BOOT  
W/SUNPAD)
- 148411 POLE, CKPT CVR SUPPORT ADJ

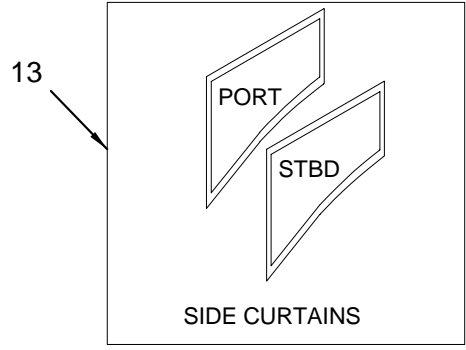
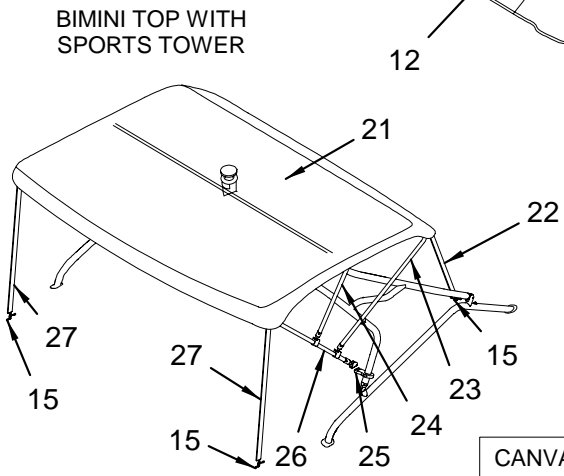
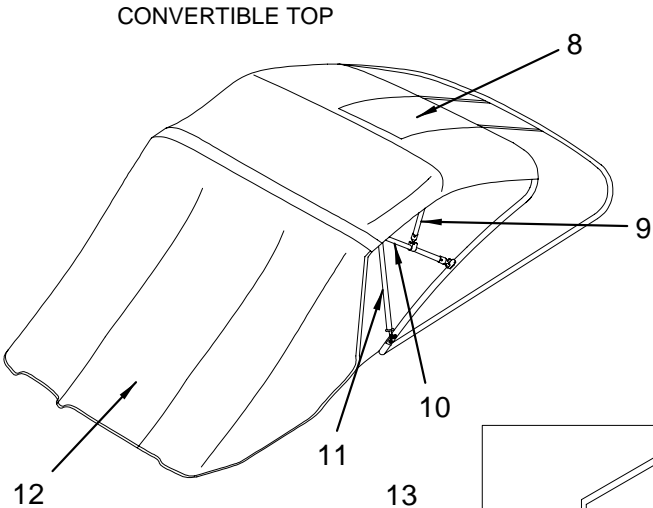
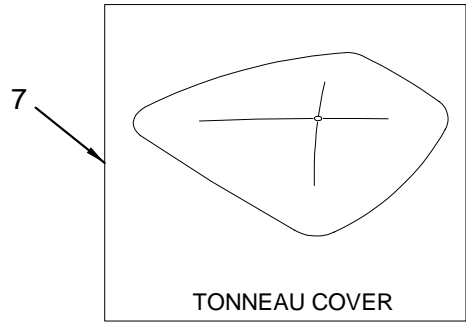
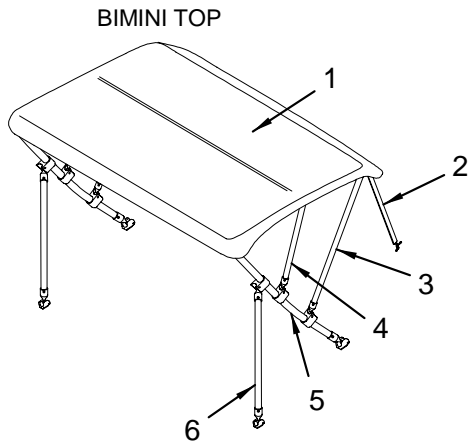
## NOT SHOWN

- 1617539 CANVAS, 176BR-02 TRAV STRG CVR CLDBRST  
(TRAVEL / STORAGE COVER)
- 1747456 CANVAS, 180BRSPRT-04 SNPD BLKHD FLAP PTY  
(2 BUCKETS / SUNPAD / AFT FULL BENCH SEAT)

## STORAGE BAG

- 1092162 CANVAS, STRG BAG 12X38 CLOUDBRST TONNEAU/CKPT  
(CANVAS PACKAGE)  
(COCKPIT COVER W/ TONNEAU COVER)

CANVAS (RED)



CANVAS HARDWARE

END CAP	EYE STRAP TIE DOW	JAW SLIDE	PULL PIN W/LANYARD	RADIUS HINGE	STRAIGHT HINGE	PLASTIC REPLACEMENT INSERT
14	15	16	17	18	19	20

**CANVAS (RED)**

- 1 1783333 CANVAS, 180SP-05 BIM TOP RED
- 1748541 CANVAS, 180BRSPRT-04 BIM TOP BOOT W/EMB RED
- 1788105 CANVAS, 180SP-05 BIM TOP FAB RED
- 1788107 CANVAS, 180SP-05 BIM TOP BOWS W/HDWR
- 1788108 CANVAS, 180SP-05 BIM TOP HDWR MNTG PKG
- 2 1788109 CANVAS, 180SP-05 BIM TOP FWD STRAP BLK
- 3 1788110 CANVAS, 180SP-05 BIM TOP BOW2 W/HDWR
- 4 1788111 CANVAS, 180SP-05 BIM TOP BOW3 W/HDWR
- 5 1788112 CANVAS, 180SP-05 BIM TOP MAIN BOW W/HDWR
- 6 1788113 CANVAS, 180SP-05 BIM TOP REAR STANCH
- 7 1748581 CANVAS, 180BRSPRT-04 TONNEAU CVR RED
- 148429 POLE, TONNEAU COVER SUPPORT ADJ
- 8 1783336 CANVAS, 180SP-05 CONV TOP RED SEAMARK
- 1748575 CANVAS, 180BRSPRT-04 CONV TOP BOOT RED
- 1788129 CANVAS, 180SP-05 CONV TOP FAB RED
- 1788131 CANVAS, 180SP-05 CTOP BOWS W/HDWR
- 1788132 CANVAS, 180SP-05 CTOP HDWR MNTG PKG
- 1788154 CANVAS, 180SP-05 CTOP TOP STRAP
- 9 1788155 CANVAS, 180SP-05 CTOP BOW2 W/HDWR
- 10 1788156 CANVAS, 180SP-05 CTOP MAIN BOW W/HDWR
- 11 1788157 CANVAS, 180SP-05 CTOP REAR STANCH/STRAP
- 12 1783342 CANVAS, 180SP-05 AFT CURT RED
- 1783348 CANVAS, 180SP-05 AFT CURT SNPD RED  
**(SUNPAD / AFT FULL BENCH SEAT)**
- 13 1783339 CANVAS, 180SP-05 SIDE CURT SET RED
- 1788160 CANVAS, 180SP-05 CTOP SIDE CURT PRT RED
- 1788164 CANVAS, 180SP-05 CTOP SIDE CURT STB RED
- 1783345 CANVAS, 180SP-05 SIDE CURT SET SNPD RED  
**(SUNPAD / AFT FULL BENCH SEAT)**
- 1788168 CANVAS, 180SP-05 CTOP SIDE CURT SNPD PRT RED  
**(SUNPAD / AFT FULL BENCH SEAT)**
- 1788172 CANVAS, 180SP-05 CTOP SIDE CURT SNPD STB RED  
**(SUNPAD / AFT FULL BENCH SEAT)**
- 14 1760354 CAP, SS EYE END BALL/SOCKET TYPE
- 15 148031 EYE, STRAP EYE TIE-DOWN
- 16 1760355 SLIDE, JAW SLIDE BALL/SOCKET TYPE SS
- 17 1357854 PIN, PULL 1.25" TOGGLE W/RING LNYRD SPRING SS
- 1760595 PIN, PULL BALL/SOCKET TYPE W/RING LNYRD BLK
- 18 1760357 HINGE, DECK RADIUS BALL/SOCKET TYPE SS
- 19 1760356 HINGE, DECK FLAT BALL/SOCKET TYPE SS
- 20 1760358 INSERT, DECK HINGE BALL/SOCKET BLK
- 21 1760040 CANVAS, 200/180/185SP-04 BIM TOP W/TWR RED
- 1760044 CANVAS, 200/180/185SP-04 BIM BOOT W/TWR RED
- 1789974 CANVAS, 180/185/200SP-05 BTOP FAB W/TWR RED
- 1789976 CANVAS, 180/185/200SP-05 BTOP TWR BOWS W/HDWR
- 1789981 CANVAS, 180/185/200SP-05 BTOP W/TWR MNTG PKG
- 22 1789982 CANVAS, 180/185/200SP-05 BTOP TWR FWD STRAP
- 23 1789978 CANVAS, 180/185/200SP-05 BTOP W/TWR 2ND BOW
- 24 1789979 CANVAS, 180/185/200SP-05 BTOP W/TWR 3RD BOW
- 25 1773248 CLAMP, WTR SPORTS TWR DECK HINGE SUPPORT ASSY
- 26 1789977 CANVAS, 180/185/200SP-05 BTOP W/TWR MAIN BOW
- 1789980 CANVAS, 180/185/200SP-05 BTOP TWR MNBOW LGEXT
- 27 1789983 CANVAS, 180/185/200SP-05 BTOP TWR REAR STRAP

**COCKPIT COVER**

- 1749028 CANVAS, 180BRSPRT-04 BIM CPC N/SNPS RED  
**(CANVAS PACKAGE)**
- 1749044 CANVAS, 180BRSPRT-04 CPC W/SNPS RED  
**(COCKPIT COVER W/TONNEAU COVER)**
- 1749036 CANVAS, 180BRSPRT-04 BIM CPC W/SNPS RED  
**(COCKPIT COVER W/TONNEAU W/BIMINI TOP & BOOT)**
- 1748555 CANVAS, 180BRSPRT-04 CPC W/SNPS SNPD RED  
**(COCKPIT COVER W/TONNEAU W/SUNPAD)**
- 1748566 CANVAS, 180BRSPRT-04 BIM CPC N/SNPS SNPD RED  
**(CANVAS PACKAGE W/SUNPAD)**
- 1748585 CANVAS, 180BRSPRT-04 BIM CPC W/SNPS SNPD RED  
**(COCKPIT COVER W/TONNEAU W/BIMINI TOP & BOOT W/SUNPAD)**
- 148411 POLE, CKPT CVR SUPPORT ADJ

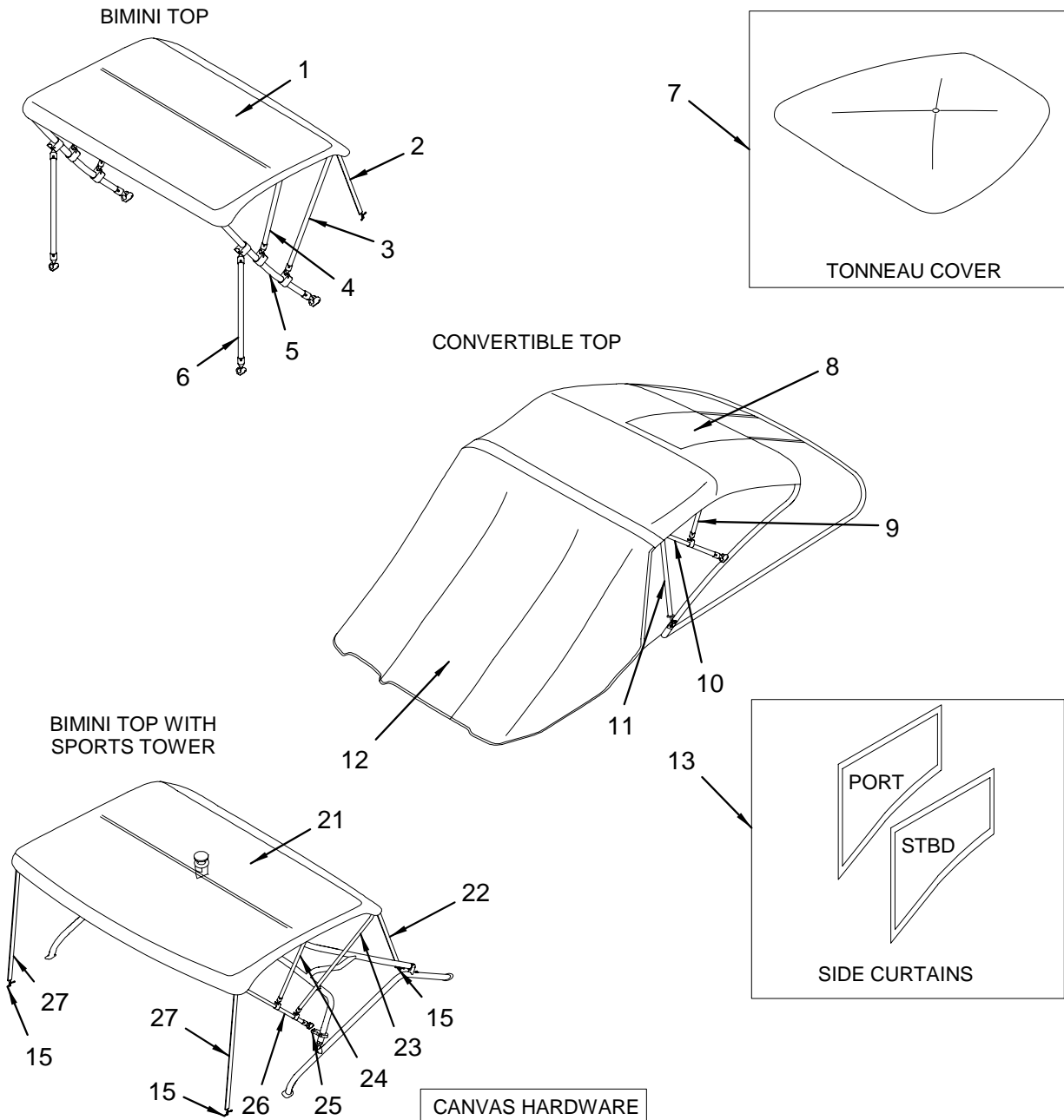
**NOT SHOWN**

- 1617539 CANVAS, 176BR-02 TRAV STRG CVR CLDBRST  
**(TRAVEL / STORAGE COVER)**
- 1747456 CANVAS, 180BRSPRT-04 SNPD BLKHD FLAP PTY  
**(2 BUCKETS / SUNPAD / AFT FULL BENCH SEAT)**

**STORAGE BAG**

- 1092162 CANVAS, STRG BAG 12X38 CLOUDBRST TONNEAU/CKPT  
**(CANVAS PACKAGE)**  
**(COCKPIT COVER W/ TONNEAU COVER)**

CANVAS (BLACK)



CANVAS HARDWARE

END CAP	EYE STRAP TIE DOW	JAW SLIDE	PULL PIN W/LANYARD	RADIUS HINGE	STRAIGHT HINGE	PLASTIC REPLACEMENT INSERT
14	15	16	17	18	19	20

**CANVAS (BLACK)**

- 1 1783334 CANVAS, 180SP-05 BIM TOP BLK
- 1759536 CANVAS, 180SP-04 BIM TOP BOOT W/EMB BLK
- 1788106 CANVAS, 180SP-05 BIM TOP FAB BLK
- 1788107 CANVAS, 180SP-05 BIM TOP BOWS W/HDWR
- 1788108 CANVAS, 180SP-05 BIM TOP HDWR MNTG PKG
- 2 1788109 CANVAS, 180SP-05 BIM TOP FWD STRAP BLK
- 3 1788110 CANVAS, 180SP-05 BIM TOP BOW2 W/HDWR
- 4 1788111 CANVAS, 180SP-05 BIM TOP BOW3 W/HDWR
- 5 1788112 CANVAS, 180SP-05 BIM TOP MAIN BOW W/HDWR
- 6 1788113 CANVAS, 180SP-05 BIM TOP REAR STANCH
- 7 1759541 CANVAS, 180SP-04 TONNEAU CVR BLK
- 148429 POLE, TONNEAU COVER SUPPORT ADJ
- 8 1783337 CANVAS, 180SP-05 CONV TOP BLK SEAMARK
- 1759538 CANVAS, 180SP-04 CONV TOP BOOT BLK
- 1788130 CANVAS, 180SP-05 CONV TOP FAB BLK
- 1788131 CANVAS, 180SP-05 CTOP BOWS W/HDWR
- 1788132 CANVAS, 180SP-05 CTOP HDWR MNTG PKG
- 1788154 CANVAS, 180SP-05 CTOP TOP STRAP
- 9 1788155 CANVAS, 180SP-05 CTOP BOW2 W/HDWR
- 10 1788156 CANVAS, 180SP-05 CTOP MAIN BOW W/HDWR
- 11 1788157 CANVAS, 180SP-05 CTOP REAR STANCH/STRAP
- 12 1783343 CANVAS, 180SP-05 AFT CURT BLK
- 1783349 CANVAS, 180SP-05 AFT CURT SNPD BLK  
**(SUNPAD / AFT FULL BENCH SEAT)**
- 13 1783340 CANVAS, 180SP-05 SIDE CURT SET BLK
- 1788161 CANVAS, 180SP-05 CTOP SIDE CURT PRT BLK
- 1788165 CANVAS, 180SP-05 CTOP SIDE CURT STB BLK
- 1783346 CANVAS, 180SP-05 SIDE CURT SET SNPD BLK  
**(SUNPAD / AFT FULL BENCH SEAT)**
- 1788169 CANVAS, 180SP-05 CTOP SIDE CURT SNPD PRT BLK  
**(SUNPAD / AFT FULL BENCH SEAT)**
- 1788173 CANVAS, 180SP-05 CTOP SIDE CURT SNPD STB BLK  
**(SUNPAD / AFT FULL BENCH SEAT)**
- 14 1760354 CAP, SS EYE END BALL/SOCKET TYPE
- 15 148031 EYE, STRAP EYE TIE-DOWN
- 16 1760355 SLIDE, JAW SLIDE BALL/SOCKET TYPE SS
- 17 1357854 PIN, PULL 1.25" TOGGLE W/RING LNYRD SPRING SS
- 1760595 PIN, PULL BALL/SOCKET TYPE W/RING LNYRD BLK
- 18 1760357 HINGE, DECK RADIUS BALL/SOCKET TYPE SS
- 19 1760356 HINGE, DECK FLAT BALL/SOCKET TYPE SS
- 20 1760358 INSERT, DECK HINGE BALL/SOCKET BLK
- 21 1785040 CANVAS, 180/185/200SP-05 BIM TOP W/TWR BLK
- 1760037 CANVAS, 200/180/185SP-04 BIM BOOT W/TWR BLK
- 1789975 CANVAS, 180/185/200SP-05 BTOP FAB W/TWR BLK
- 1789976 CANVAS, 180/185/200SP-05 BTOP TWR BOWS W/HDWR
- 1789981 CANVAS, 180/185/200SP-05 BTOP W/TWR MNTG PKG
- 22 1789982 CANVAS, 180/185/200SP-05 BTOP TWR FWD STRAP
- 23 1789978 CANVAS, 180/185/200SP-05 BTOP W/TWR 2ND BOW
- 24 1789979 CANVAS, 180/185/200SP-05 BTOP W/TWR 3RD BOW
- 25 1773248 CLAMP, WTR SPORTS TWR DECK HINGE SUPPORT ASSY
- 26 1789977 CANVAS, 180/185/200SP-05 BTOP W/TWR MAIN BOW
- 1789980 CANVAS, 180/185/200SP-05 BTOP TWR MNBOW LGEXT
- 27 1789983 CANVAS, 180/185/200SP-05 BTOP TWR REAR STRAP

**COCKPIT COVER**

- 1759621 CANVAS, 180SP-04 BIM CPC N/SNPS BLK  
**(CANVAS PACKAGE)**
- 1759624 CANVAS, 180SP-04 CPC W/SNPS BLK  
**(COCKPIT COVER W/TONNEAU COVER)**
- 1759622 CANVAS, 180SP-04 BIM CPC W/SNPS BLK  
**(COCKPIT COVER W/TONNEAU COVER W/BIMINI TOP & BOOT)**
- 1748546 CANVAS, 180BRSPRT-04 CPC W/SNPS SNPD BLK  
**(COCKPIT COVER W/TONNEAU COVER W/SUNPAD)**
- 1748563 CANVAS, 180BRSPRT-04 BIM CPC N/SNPS SNPD BLK  
**(CANVAS PACKAGE W/SUNPAD)**
- 1759625 CANVAS, 180SP-04 BIM CPC W/SNPS SNPD BLK  
**(COCKPIT COVER W/TONNEAU COVER W/BIMINI TOP & BOOT W/SUNPAD)**
- 148411 POLE, CKPT CVR SUPPORT ADJ

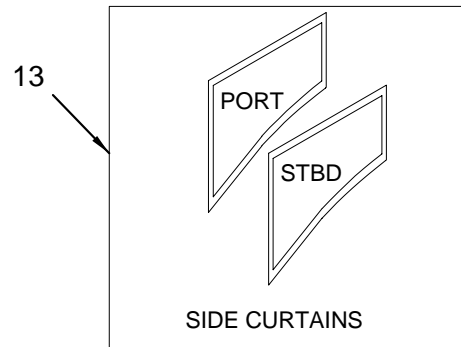
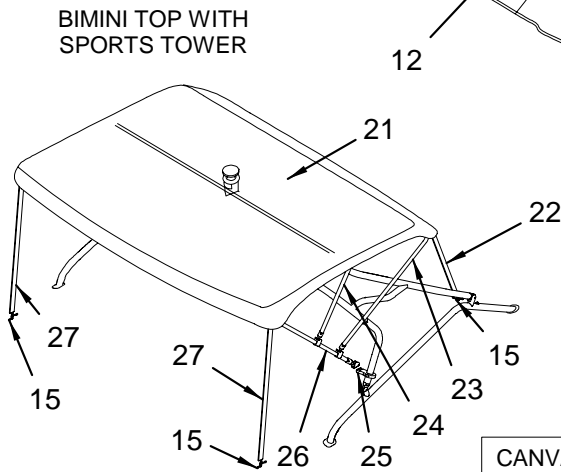
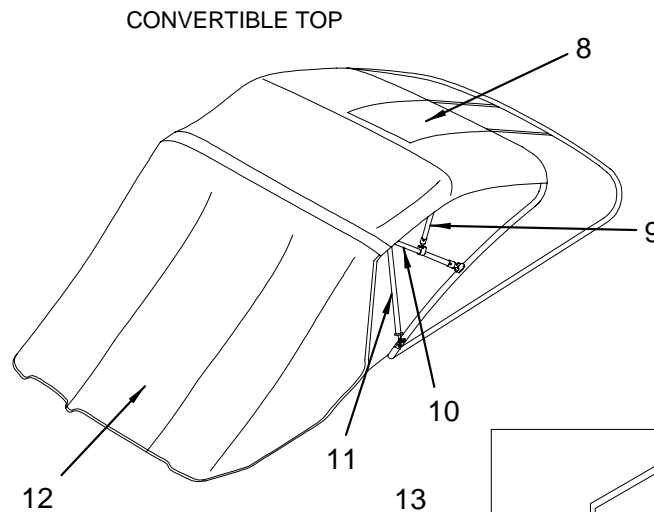
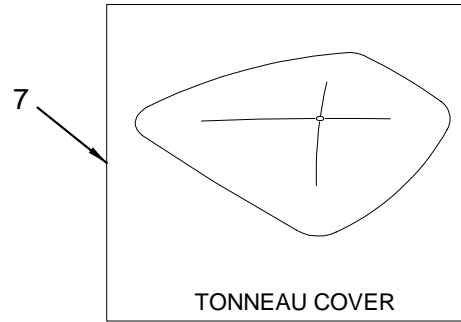
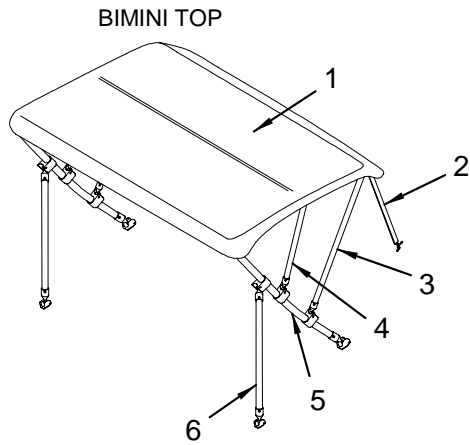
**NOT SHOWN**

- 1617539 CANVAS, 176BR-02 TRAV STRG CVR CLDBRST  
**(TRAVEL / STORAGE COVER)**
- 1747456 CANVAS, 180BRSPRT-04 SNPD BLKHD FLAP PTY  
**(2 BUCKETS / SUNPAD / AFT FULL BENCH SEAT)**

**STORAGE BAG**

- 1092162 CANVAS, STRG BAG 12X38 CLOUDBRST TONNEAU/CKPT  
**(CANVAS PACKAGE)**  
**(COCKPIT COVER W/ TONNEAU COVER)**

CANVAS (CHARCOAL)



CANVAS HARDWARE

END CAP	EYE STRAP TIE DOW	JAW SLIDE	PULL PIN W/LANYARD	RADIUS HINGE	STRAIGHT HINGE	PLASTIC REPLACEMENT INSERT
14	15	16	17	18	19	20

## CANVAS (CHARCOAL)

- 1 1790453 CANVAS, 180SP-05 BIM TOP CHAR
- 1797643 CANVAS, 180SP-05 BIM TOP BOOT W/EMB CHAR
- 1807653 CANVAS, 180SP-05 BIM TOP FAB CHAR
- 1788107 CANVAS, 180SP-05 BIM TOP BOWS W/HDWR
- 1788108 CANVAS, 180SP-05 BIM TOP HDWR MNTG PKG
- 2 1788109 CANVAS, 180SP-05 BIM TOP FWD STRAP BLK
- 3 1788110 CANVAS, 180SP-05 BIM TOP BOW2 W/HDWR
- 4 1788111 CANVAS, 180SP-05 BIM TOP BOW3 W/HDWR
- 5 1788112 CANVAS, 180SP-05 BIM TOP MAIN BOW W/HDWR
- 6 1788113 CANVAS, 180SP-05 BIM TOP REAR STANCH
- 7 1797651 CANVAS, 180SP-05 TONNEAU CVR CHAR
- 148429 POLE, TONNEAU COVER SUPPORT ADJ
- 8 1797660 CANVAS, 180SP-05 CONV TOP CHAR
- 1797643 CANVAS, 180SP-05 BIM TOP BOOT W/EMB CHAR
- 1807655 CANVAS, 180SP-05 CONV TOP FAB CHAR
- 1788131 CANVAS, 180SP-05 CTOP BOWS W/HDWR
- 1788132 CANVAS, 180SP-05 CTOP HDWR MNTG PKG
- 1788154 CANVAS, 180SP-05 CTOP TOP STRAP
- 9 1788155 CANVAS, 180SP-05 CTOP BOW2 W/HDWR
- 10 1788156 CANVAS, 180SP-05 CTOP MAIN BOW W/HDWR
- 11 1788157 CANVAS, 180SP-05 CTOP REAR STANCH/STRAP
- 12 1797650 CANVAS, 180SP-05 AFT CURT CHAR
- 1797662 CANVAS, 180SP-05 AFT CURT SNPD CHAR  
(SUNPAD / AFT FULL BENCH SEAT)
- 13 1797649 CANVAS, 180SP-05 SIDE CURT SET CHAR
- 1807667 CANVAS, 180SP-05 CTOP SIDE CURT PRT CHAR
- 1807668 CANVAS, 180SP-05 CTOP SIDE CURT STB CHAR
- 1797661 CANVAS, 180SP-05 SIDE CURT SET SNPD CHAR  
(SUNPAD / AFT FULL BENCH SEAT)
- 1807669 CANVAS, 180SP-05 CTOP SIDE CURT SNPD PRT CHAR  
(SUNPAD / AFT FULL BENCH SEAT)
- 1807670 CANVAS, 180SP-05 CTOP SIDE CURT SNPD STB CHAR  
(SUNPAD / AFT FULL BENCH SEAT)
- 14 1760354 CAP, SS EYE END BALL/SOCKET TYPE
- 15 148031 EYE, STRAP EYE TIE-DOWN
- 16 1760355 SLIDE, JAW SLIDE BALL/SOCKET TYPE SS
- 17 1357854 PIN, PULL 1.25" TOGGLE W/RING LNYRD SPRING SS
- 1760595 PIN, PULL BALL/SOCKET TYPE W/RING LNYRD BLK
- 18 1760357 HINGE, DECK RADIUS BALL/SOCKET TYPE SS
- 19 1760356 HINGE, DECK FLAT BALL/SOCKET TYPE SS
- 20 1760358 INSERT, DECK HINGE BALL/SOCKET BLK
- 21 1793241 CANVAS, 180/185/200SP-05 BIM TOP W/TWR CHAR
- 1797654 CANVAS, 180SP-05 BIM BOOT W/TWR CHAR
- 1807671 CANVAS, 180/185/200SP-05 BTOP FAB W/TWR CHAR
- 1789976 CANVAS, 180/185/200SP-05 BTOP TWR BOWS W/HDWR
- 1789981 CANVAS, 180/185/200SP-05 BTOP W/TWR MNTG PKG
- 22 1789982 CANVAS, 180/185/200SP-05 BTOP TWR FWD STRAP
- 23 1789978 CANVAS, 180/185/200SP-05 BTOP W/TWR 2ND BOW
- 24 1789979 CANVAS, 180/185/200SP-05 BTOP W/TWR 3RD BOW
- 25 1773248 CLAMP, WTR SPORTS TWR DECK HINGE SUPPORT ASSY
- 26 1789977 CANVAS, 180/185/200SP-05 BTOP W/TWR MAIN BOW
- 1789980 CANVAS, 180/185/200SP-05 BTOP TWR MNBOW LGEXT
- 27 1789983 CANVAS, 180/185/200SP-05 BTOP TWR REAR STRAP

## COCKPIT COVER

- 1797646 CANVAS, 180SP-05 BIM CPC N/SNPS CHAR  
(CANVAS PACKAGE)
- 1797652 CANVAS, 180SP-05 CPC W/SNPS CHAR  
(COCKPIT COVER W/TONNEAU COVER)
- 1797647 CANVAS, 180SP-05 BIM CPC W/SNPS CHAR  
(COCKPIT COVER W/TONNEAU W/BIMINI TOP & BOOT)
- 1797665 CANVAS, 180SP-05 CPC W/SNPS SNPD CHAR  
(COCKPIT COVER W/TONNEAU W/SUNPAD)
- 1797672 CANVAS, 180SP-05 BIM CPC N/SNPS SNPD CHAR  
(CANVAS PACKAGE W/SUNPAD)
- 1797655 CANVAS, 180SP-05 BIM CPC W/SNPS SNPD CHAR  
(COCKPIT COVER W/TONNEAU W/BIMINI TOP & BOOT  
W/SUNPAD)
- 148411 POLE, CKPT CVR SUPPORT ADJ

## NOT SHOWN

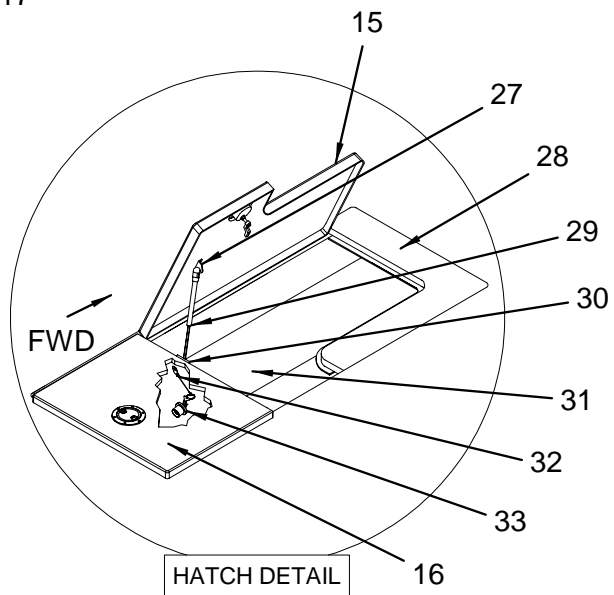
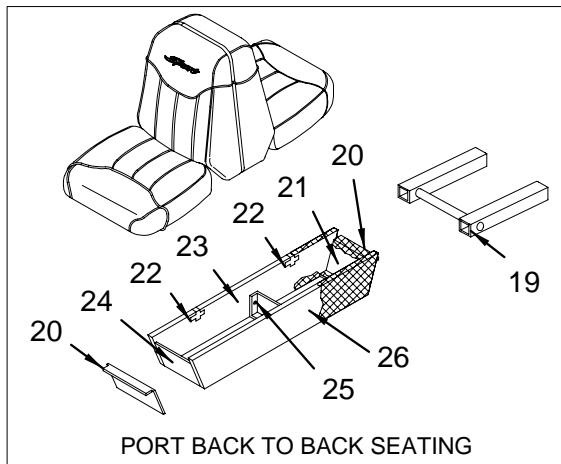
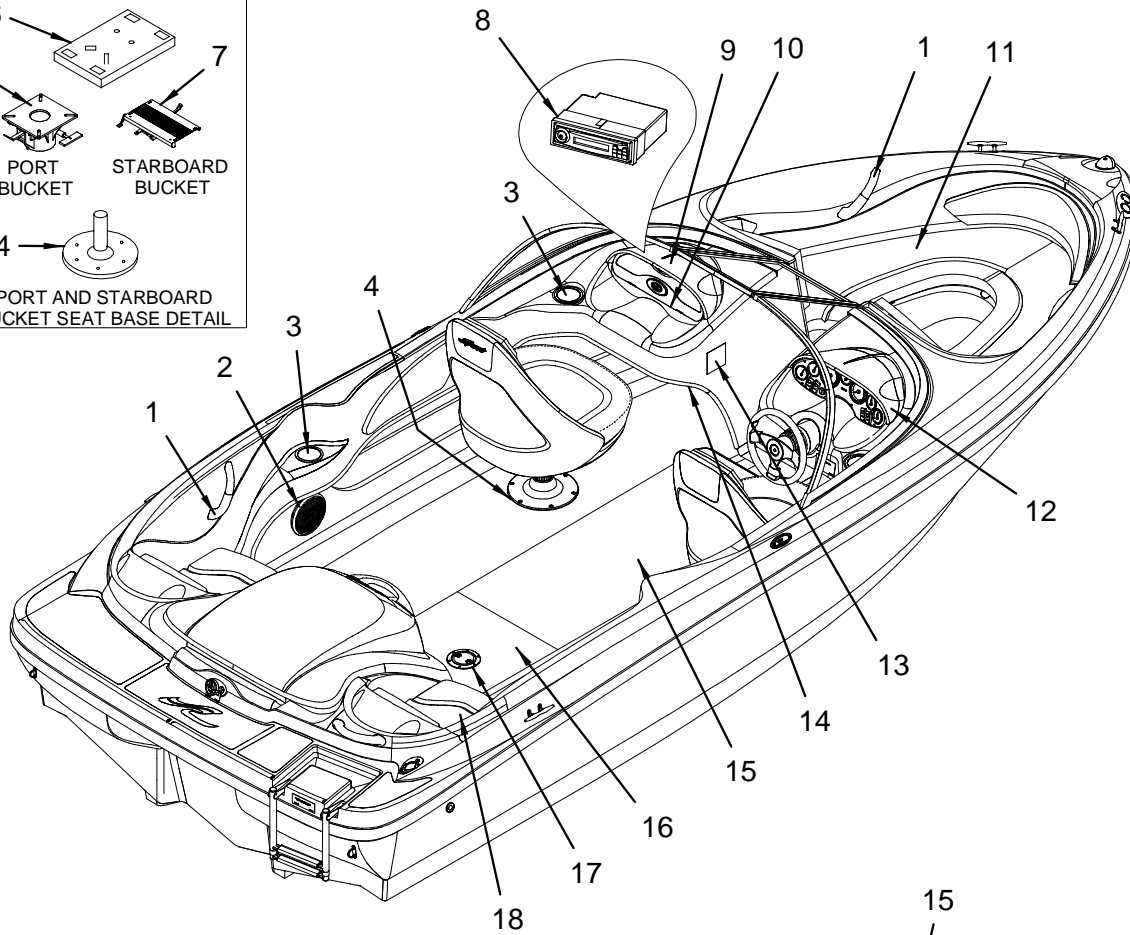
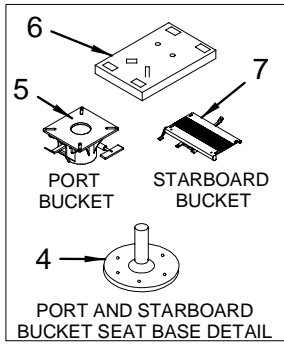
- 1617539 CANVAS, 176BR-02 TRAV STRG CVR CLDBRST  
(TRAVEL / STORAGE COVER)
- 1747456 CANVAS, 180BRSPRT-04 SNPD BLKHD FLAP PTY  
(2 BUCKETS / SUNPAD / AFT FULL BENCH SEAT)

## STORAGE BAG

- 1092162 CANVAS, STRG BAG 12X38 CLOUDBRST TONNEAU/CKPT  
(CANVAS PACKAGE)  
(COCKPIT COVER W/ TONNEAU COVER)



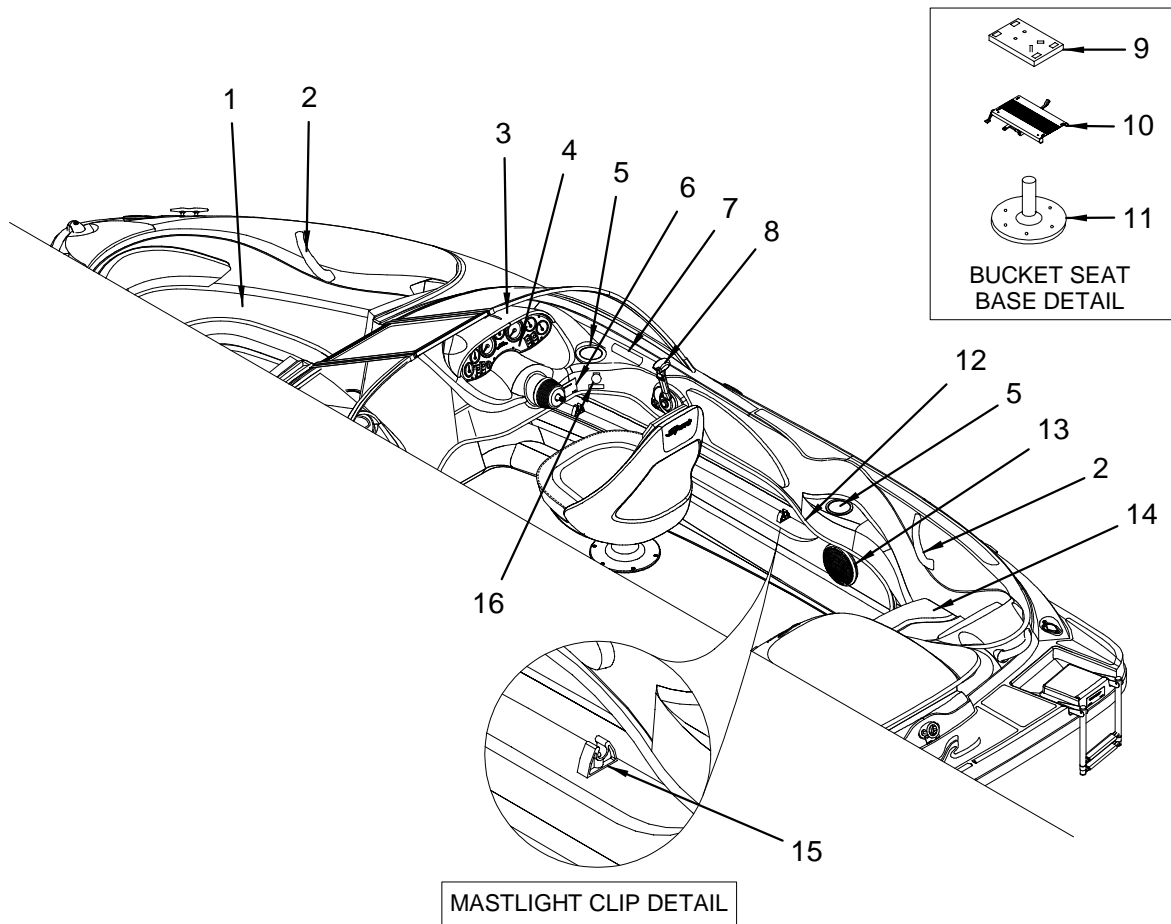
COCKPIT (PORT VIEW)



## COCKPIT (PORT VIEW)

1	1086362	HANDLE, GRAB PRL CUSTOM SR
2	1690557	SPEAKER, COAXIAL 6.5" N/CVR
	1717332	GRILL, SPEAKER 6.5" ACOM BLK
3	1156017	DRINKHOLDR, PLAS 4"X 3" MUG SZ PRL
4	1154004	PEDESTAL, ALUM 7.25" RIBBED W/DEL CUP W/O SPD
5	1154137	SPIDER, POWDER COATED W/O DELRIN CUP
6	748095	PLATE, HDPE SEAT BTM W/HOLES 0.450
7	1754577	SLIDE ASSY, SEAT MILLENIUM 10.5" M/H SHRT HDL
8	1753392	STEREO, AM/FM CD PLAYER CLARION M-235
	1794017	HARNES, PIGTAIL M235/335 STEREO (HULL# 1709 -> UP)
	1105758	TRIM RING, 1/4" CLARION M0350
	875484	ANTENNA LEAD, STEREO SOFT WIRE 30"
	1753393	STEREO, AM/FM CD PLAYER CLARION M335 RMTE RDY (PREMIER STEREO UPGRADE - W/ REMOTE AT HELM)
	1767698	STEREO, AMP MARINE AUDIO MAA402 12V (PREMIER STEREO UPGRADE - W/ REMOTE AT HELM)
	1736985	HARNES, 185BR-03 STEREO AMP (PREMIER STEREO UPGRADE - W/ REMOTE AT HELM)
	1753394	STEREO, REMOTE CNTRL W/DISPLAY FOR M335 (PREMIER STEREO UPGRADE - W/ REMOTE AT HELM)
	1750878	CABLE, RCA AUDIO 20' W/EFX-2 CONN W/NOISE SUP (PREMIER STEREO UPGRADE - W/ REMOTE AT HELM)
	1312750	CABLE, CLARION REMOTE EXTENSION CABLE 24' (PREMIER STEREO UPGRADE - W/ REMOTE AT HELM)
	1596923	FUSE HOLDER, BLADE TYPE ACCY 10A (PREMIER STEREO UPGRADE - W/ REMOTE AT HELM)
9	1752836	VISOR, GLOVEBOX 180SPT-04 PRT PWTR MIST
10	1752837	GLOVEBOX, DOOR 180SPT W/HWDR PWTR MIST
	1549666	EMBLEM, S/R WAVE OVAL URET CHR 1.125"X 2.375"
	1689595	NET, STRG 176SRX-03 PORT DASH
11	1083419	BLOCK, HDPE 185/190SDOB/210-98 XL HOOK
	609883	CLEAT, PLAS 3/4"X 1"X 4" GREY
12	1752838	VISOR, DASH 180SPT-04 STB PWTR MIST
13	1747333	PLATE, NMMA 04-180BR (7 PERSON/900 LBS)
	1749018	PLATE, CE OPT C:180BRSPRT/6PERSON/495KG (C E OPTION GROUP)
	1759613	LABEL, STICKER 180BR CANADIAN CAPACITY (CANADIAN CONFORMITY STICKER)
14	1156355	TRIM, EDGE PEARL MOTOR BOX SMALL
15	1784305	180SP 05.HATCH.SKI FBRGLS
	1428457	LATCH, FLUSH T-HNDL W/O LOCK BLK LONG CAM
	1062348	HINGE, SS CONT 1.5"X 30"
16	1784304	180SP 05.HATCH.AFT SKI FBRGLS
17	1155993	ACCESS PLATE, POLYPROP W/O-RING 4" PEARL
18	1083419	BLOCK, HDPE 185/190SDOB/210-98 XL HOOK
19	1770782	TRACK ASSY, B/B SET N/KNOB 6PC (STBD BUCKET/PORT B/B /MOTOR BOX /JUMP SEATS)
	1249770	PLATE, ALUM 3/16"X 2"X 3" HOLES TAPPED (STBD BUCKET/PORT B/B /MOTOR BOX /JUMP SEATS)
	1690896	PLATE, ALUM 1/4"X 2"X 9.75" W/2" TAPPED HOLES (STBD BUCKET/PORT B/B /MOTOR BOX /JUMP SEATS)
	128686	PLEX, ROD 5/8"X 8" DELRIN (STBD BUCKET/PORT B/B /MOTOR BOX /JUMP SEATS)
20	833657	BASE, B/B PLAS 7" LOUNGE ENDS (STBD BUCKET/PORT B/B /MOTOR BOX /JUMP SEATS)
21	1192673	BASE, B/B PLAS 8" LOUNGE END RH (STBD BUCKET/PORT B/B /MOTOR BOX /JUMP SEATS)
22	833640	BASE, B/B PLAS PIPE RETAINERS (STBD BUCKET/PORT B/B /MOTOR BOX /JUMP SEATS)
23	833608	BASE, B/B PLAS 8" LOUNGE SIDE SP (STBD BUCKET/PORT B/B /MOTOR BOX /JUMP SEATS)
24	1192681	BASE, B/B PLAS 8" LOUNGE END LH (STBD BUCKET/PORT B/B /MOTOR BOX /JUMP SEATS)
25	833632	BASE, B/B PLAS 8" LOUNGE CTR SP (STBD BUCKET/PORT B/B /MOTOR BOX /JUMP SEATS)
26	833590	BASE, B/B PLAS 8" LOUNGE SIDE (STBD BUCKET/PORT B/B /MOTOR BOX /JUMP SEATS)
27	732792	BRACKET, SS GAS CYL 90DEG 2.062" W/STUD
28	1784333	180SP 05.HATCH.FWD STB SKI FBRGLS
29	826305	CYLINDER, GAS 40PSI 20"EXT X 12"COMP
30	634550	BRACKET, SS GAS CYL 90DEG L-BRKT W/BALL LONG
31	1748432	FLOORING, PVC MAT SKI WELL WHT 21"X 55"
32	418632	LANYARD, W/TAB/RING
33	156224	PLUG, DRAIN PLUG SNAP TITE 7/8"

**COCKPIT (STARBOARD VIEW)**

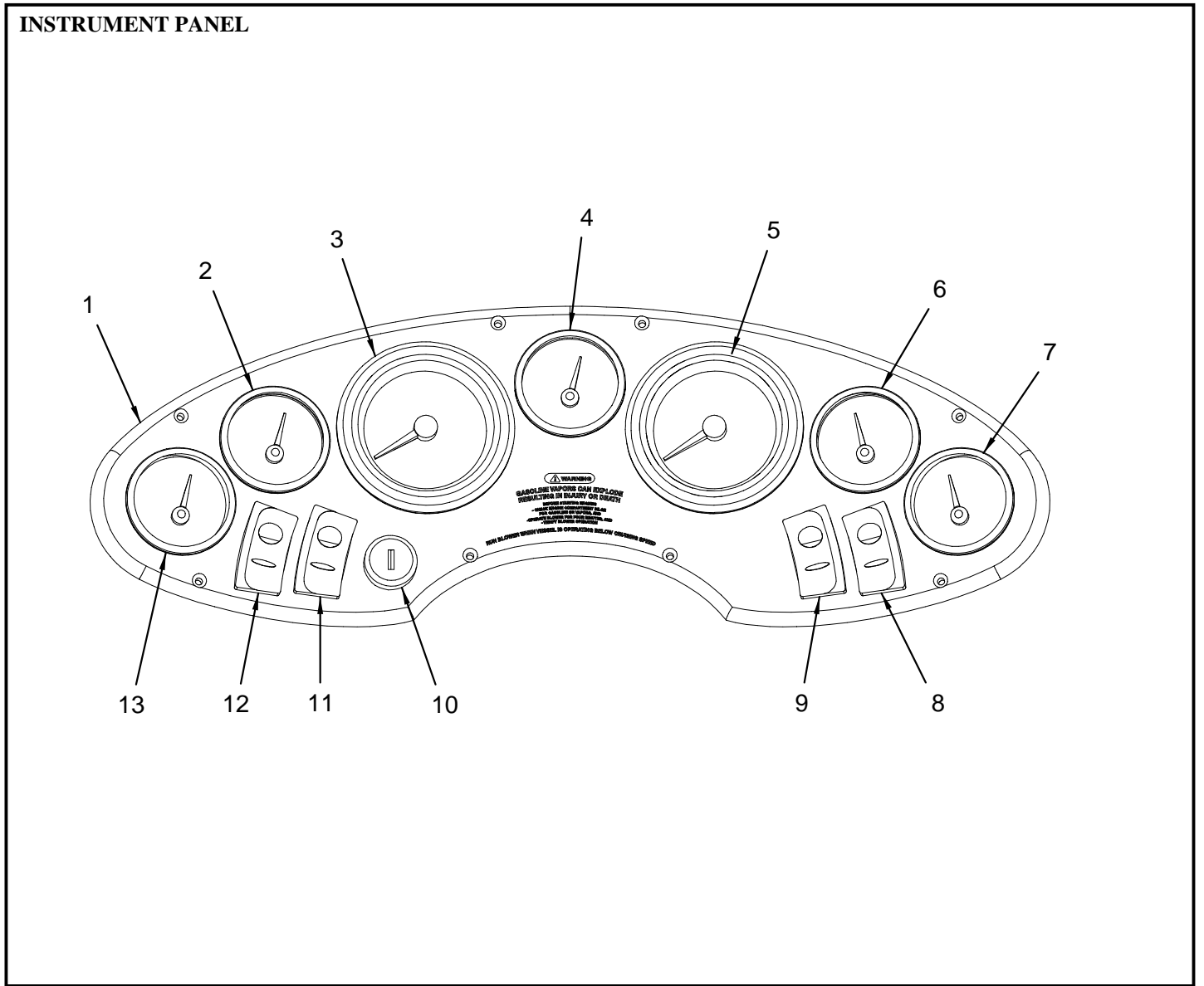


**COCKPIT (STARBOARD VIEW)**

**NOT SHOWN**

- 1 1083419 BLOCK, HDPE 185/190SDOB/210-98 XL HOOK
- 609883 CLEAT, PLAS 3/4"X 1"X 4" GREY
- 2 1086362 HANDLE, GRAB PRL CUSTOM SR
- 3 1752838 VISOR, DASH 180SPT-04 STB PWTR MIST
- 4 1772573 PANEL, 180SP-05 INST SLVR GRAPH SS BZL W/CONN
- 1726895 PANEL, BLANK:176BR-03 INST SLVR GRAPHITE
- 5 1156017 DRINKHOLDR, PLAS 4"X 3" MUG SZ PRL
- 6 1745520 LABEL, DANGER CO FUMES W/CANVAS  
(HULL# 1001 -> 1816 ONLY)
- 7 1601301 LABEL, DANGER CO WARNING BACKLASH
- 8 1754392 CONTROL, SIDE MNT LOCKBAR 3000 GEN II I/O  
(HULL# 2622 -> UP)
- 1754390 CONTROL, SIDE MNT PISTOL GRIP 4000 GEN II I/O  
(HULL# 1001 -> 2621)
- 778928 LANYARD, COILED STOP SWITCH
- 9 748095 PLATE, HDPE SEAT BTM W/HOLES 0.450
- 10 1754577 SLIDE ASSY, SEAT MILLENIUM 10.5" M/H SHRT HDL
- 11 1154004 PEDESTAL, ALUM 7.25" RIBBED W/DEL CUP W/O SPD
- 12 1156355 TRIM, EDGE PEARL MOTOR BOX SMALL
- 13 1690557 SPEAKER, COAXIAL 6.5" N/CVR
- 1717332 GRILL, SPEAKER 6.5" ACOM BLK
- 14 1083419 BLOCK, HDPE 185/190SDOB/210-98 XL HOOK
- 15 590646 CLIP, POLE STRG BLK - MAST LIGHT
- 16 1287283 RECEPTACLE, FEMALE 12V LONG THRD BLK
- 1744738 LABEL, RECEPTACLE 12V-15A MAX (LEXAN)

1747505 LABEL, INFO REPL PROD/BROCH/DLRLOC/ETC



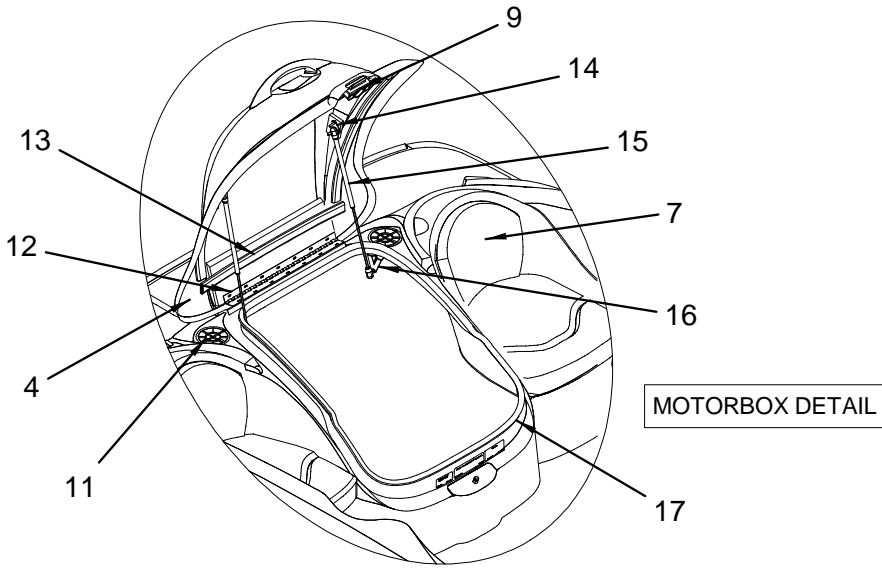
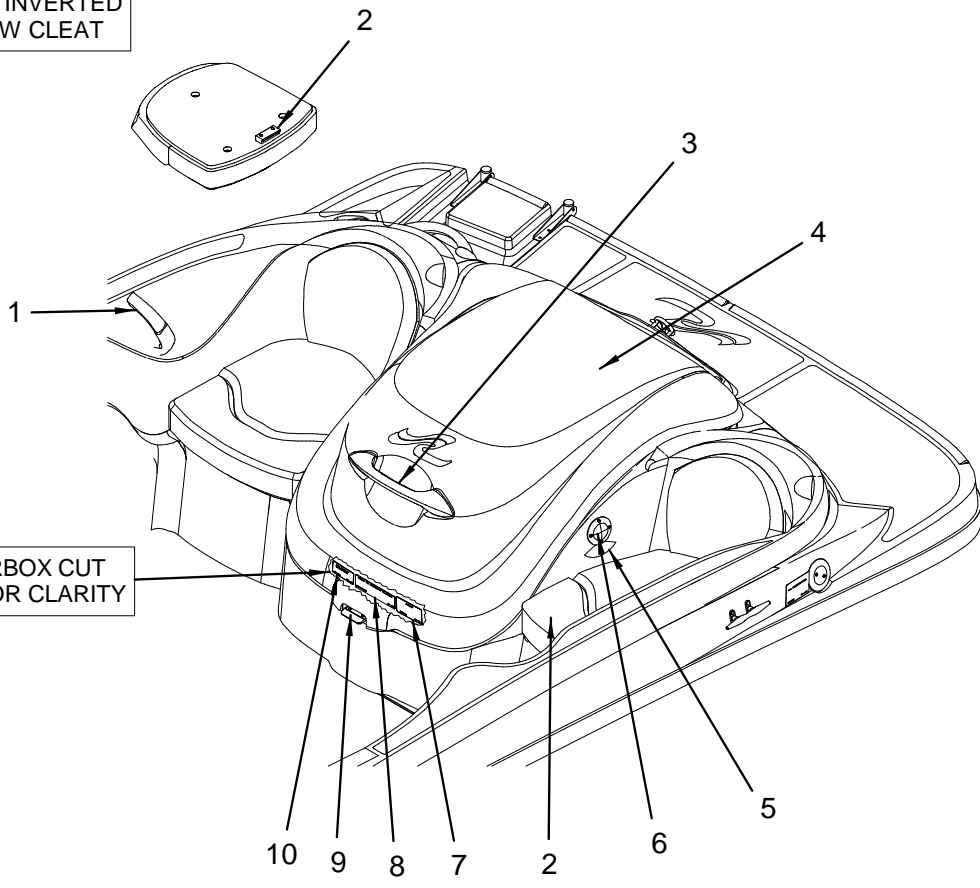
**INSTRUMENT PANEL**

- |   |   |
|---|---|
| <p>1 1772573 PANEL, 180SP-05 INST SLVR GRAPH SS BZL W/CONN<br/>1726895 PANEL, BLANK:176BR-03 INST SLVR GRAPHITE<br/>2 1727015 GAUGE, TRIM TELE 5 SERIES SS BZL<br/>3 1727013 GAUGE, SPEEDO 50 MPH 3" 5SERIES SS BEZ<br/>757906 CLAMP, HOSE SPRING 1/4" OD SELF TIGHTENING SS<br/>4 885590 GAUGE, BLANK:DUMMY SS BEZEL<br/>1760288 DEPTH FINDER, TECHSONIC GRN LIGHT<br/>(DEPTH FINDER)<br/>1754589 TRANSDUCER, TECHSONIC<br/>(DEPTH FINDER)<br/>888792 FUSE HOLDER, BLADE TYPE DEPTH SOUNDER 3A<br/>(DEPTH FINDER)<br/>5 1727017 GAUGE, TACH W/LCD HRMTR 0-7000 5SER SS BEZ<br/>6 1727018 GAUGE, OIL PRESS 0-80 12V 5SER SS BEZ<br/>7 1727019 GAUGE, WATER TEMP 220 DEG 5 SERIES SS BEZ<br/>8 1583376 ACTUATOR, ROCK HORN CONT IV STBD<br/>(HORN)<br/>679332 BODY, ROCK SW SPST MOM<br/>(HORN)<br/>9 1583368 ACTUATOR, ROCK BILGE NAV/ANC CONT W/LENS STBD<br/>(NAVIGATION LIGHTS)<br/>679340 BODY, ROCK SW 'V' OFF-2ON-2ON 12V INC<br/>(NAVIGATION LIGHTS)<br/>10 1409366 SWITCH, IGN STARTER<br/>1449818 KEY, IGN W/RUBBER SR GRIP "BLANK"<br/>(ALL KEYS ARE SOLD IN PAIRS)</p> | <p>10 1403161 KEY, IGN W/RUBBER SR GRIP "J"<br/>1403179 KEY, IGN W/RUBBER SR GRIP "K"<br/>1403187 KEY, IGN W/RUBBER SR GRIP "L"<br/>1403195 KEY, IGN W/RUBBER SR GRIP "M"<br/>1403237 KEY, IGN W/RUBBER SR GRIP "N"<br/>1403203 KEY, IGN W/RUBBER SR GRIP "P"<br/>1403229 KEY, IGN W/RUBBER SR GRIP "R"<br/>1403211 KEY, IGN W/RUBBER SR GRIP "S"<br/>11 1583350 ACTUATOR, ROCK BILGE PUMP CONT IV W/LENS PORT<br/>(BILGE PUMP)<br/>648097 BODY, ROCK SW SPST BLK 12V INCAND<br/>(BILGE PUMP)<br/>12 1583343 ACTUATOR, ROCK BILGE BLWR CONT IV W/LENS PORT<br/>(BLOWER)<br/>648097 BODY, ROCK SW SPST BLK 12V INCAND<br/>(BLOWER)<br/>13 1727021 GAUGE, FUEL 2" 5 SERIES SS BEZ</p> |
|---|---|

COCKPIT (AFT VIEW)

CUSHION INVERTED TO SHOW CLEAT

MOTORBOX CUT AWAY FOR CLARITY



MOTORBOX DETAIL

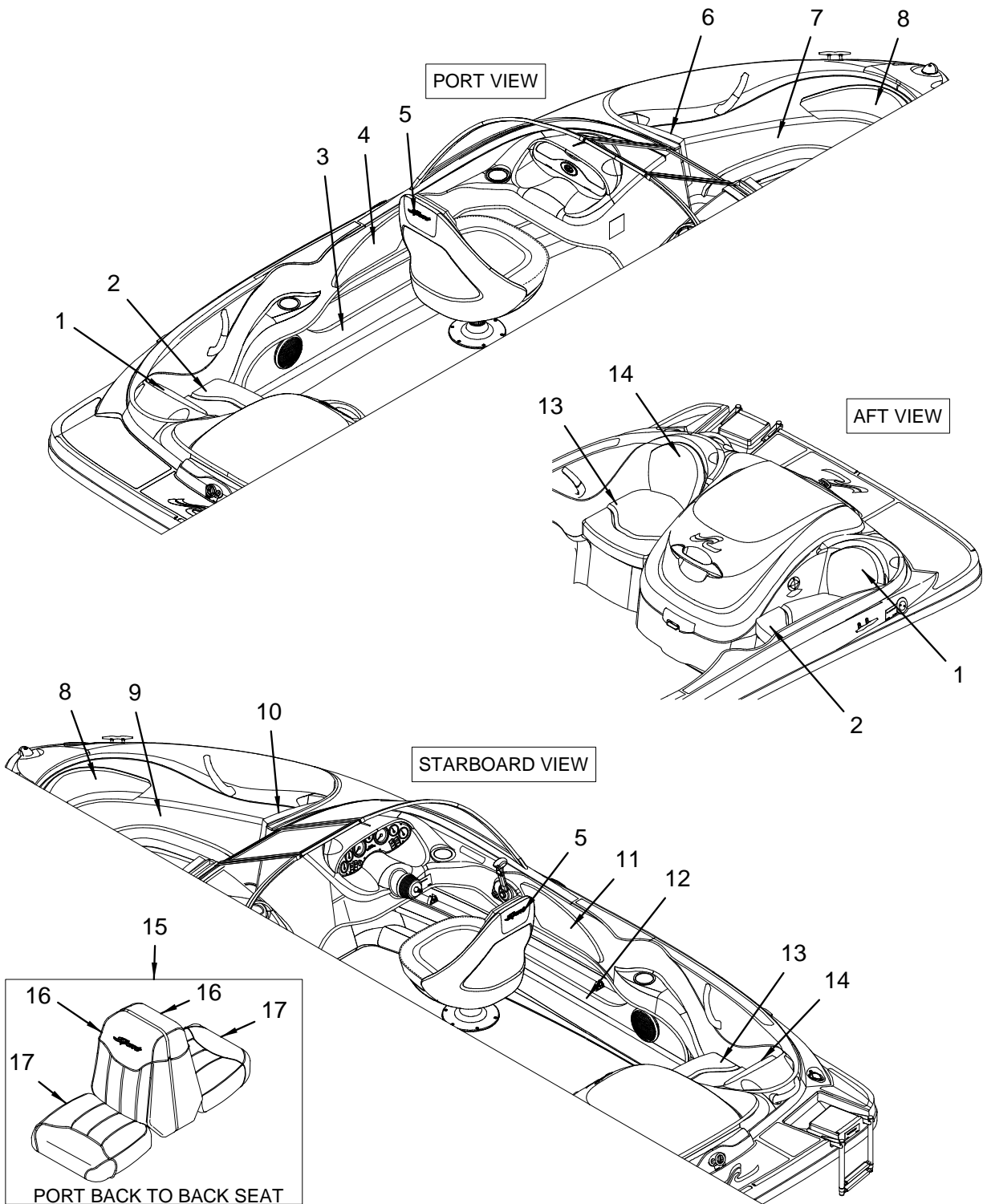
**COCKPIT (AFT VIEW)**

- 1 1086362 HANDLE, GRAB PRL CUSTOM SR
- 2 1083419 BLOCK, HDPE 185/190SDOB/210-98 XL HOOK
- 3 1142579 HANDLE, GRAB SPBOATS-99 MTRBX PRL
- 4 1784306 180SP 05,MTRBX LID,FBRGLS
- 5 1744762 LABEL, WARNING PYHY FIRE EXT PRT (LEXAN)
- 6 1615988 ACCESS PLATE, FIRE PRT WHT W/WHT PLAS INSERT
- 7 1745513 LABEL, WARNING LEAKING FUEL
- 8 1745514 LABEL, PREVENT DISCHARGE OF POLLUTANTS  
(C E OPTION GROUP)
- 9 1219948 LATCH, HATCH/SUNPAD BLK PLAS (ASAHI DENSO)
- 10 1745512 LABEL, STAY CLEAR OF MOVING PARTS ON ENGINE
- 11 716159 VENT, PLAS GRILL 4" BLK
- 12 1612811 HINGE, SS CONT 3"X 20.5" W/1/4" PIN SATIN
- 13 1396142 MOLDING, FOAM RBR "D-SHAPE" 1.75" W/HAT ADH
- 14 634592 BRACKET, SS GAS CYL FLAT W/BALL STUD
- 15 826305 CYLINDER, GAS 40PSI 20"EXT X 12"COMP
- 16 732792 BRACKET, SS GAS CYL 90DEG 2.062" W/STUD
- 17 1647866 TRIM, PLAS BTM EDGE 7/8" W/ADHE BKNG PEARL

**NOT SHOWN**

- 723791 PANEL, SPBOATS BATT SW BLK OPT  
(C E OPTION GROUP)
- 723650 SWITCH, BATTERY ON/OFF MASTER W/LOCK  
(C E OPTION GROUP)
- 778258 KEY, BATTERY SWITCH ONLY (FOR #723650)  
(C E OPTION GROUP)

COCKPIT (UPHOLSTERY)



**COCKPIT (UPHOLSTERY)**

- 1 1784307 180SP 05,BLSTR,AFT CKPT PRT
- 1784308 180SP 05,BLSTR SKN,AFT CKPT PRT
- 2 1784309 180SP 05,CUSH,JMPST PRT
- 1784310 180SP 05,CUSH SKN,JMPST PRT
- 3 1784311 180SP 05,PNL,LWR SIDE PRT
- 1784312 180SP 05,PNL SKN,LWR SIDE PRT
- 4 1784313 180SP 05,PNL,UPR SIDE PNL
- 1784314 180SP 05,PNL SKN,UPR SIDE PRT
- 5 1785014 BKT SEAT, SPRT-05 STNGR CRM/D NKL W/SPRTSCRPT
- 1788567 BKT SEAT, SPRT-05 STNGR SKN CRM/DNKL W/SPTSCRPT
- 6 1784315 180SP 05,BLSTR,AFT BOW B/R PRT
- 1784316 180SP 05,BLSTR SKN,AFT BOW B/R PRT
- 7 1784317 180SP 05,CUSH,BOW PRT
- 1784318 180SP 05,CUSH SKN,BOW PRT
- 8 1784319 180SP 05,BLSTR,FWD BOW B/R
- 1784320 180SP 05,BLSTR SKN,FWD BOW B/R
- 9 1784325 180SP 05,CUSH,BOW STB
- 1784326 180SP 05,CUSH SKN,BOW STB
- 10 1784327 180SP 05,BLSTR,AFT BOW B/R STB
- 1784328 180SP 05,BLSTR SKN,AFT BOW B/R STB
- 11 1784329 180SP 05,PNL,UPR SIDE STB
- 1784330 180SP 05,PNL SKN,UPR SIDE STB
- 12 1784331 180SP 05,PNL,LWR SIDE STB
- 1784332 180SP 05,PNL SKN,LWR SIDE STB
- 191973 SNAP CAP, PLAS ALMOND
- 13 1784321 180SP 05,CUSH,JMPST STB
- 1784322 180SP 05,CUSH SKN,JMPST STB
- 14 1784323 180SP 05,BLSTR,AFT CKPT STB
- 1784324 180SP 05,BLSTR SKN,AFT CKPT STB
- 15 1799782 B/B SEAT, SPRT-05 STNGR CRM/D NCKL W/BASE  
(HULL# 2682 -> UP)  
(STBD BUCKET/PORT B/B /MOTOR BOX /JUMP SEATS)
- 1784641 B/B SEAT, SPRT-05 STNGR CRM/D NCKL W/6.5"SCRIP  
(HULL# 1001 -> 2681)  
(STBD BUCKET/PORT B/B /MOTOR BOX /JUMP SEATS)
- 16 1788584 B/B SEAT, SPRT-05 STNGR CRM/D NCKL BACK CUSH  
(STBD BUCKET/PORT B/B /MOTOR BOX /JUMP SEATS)
- 1788585 B/B SEAT, SPRT-05 STNGR CRM/D NKL BACK SKN  
(STBD BUCKET/PORT B/B /MOTOR BOX /JUMP SEATS)
- 17 1788586 B/B SEAT, SPRT-05 STNGR CRM/D NKL BTM CUSH  
(STBD BUCKET/PORT B/B /MOTOR BOX /JUMP SEATS)
- 1788587 B/B SEAT, SPRT-05 STNGR CRM/D NKL BTM SKN  
(STBD BUCKET/PORT B/B /MOTOR BOX /JUMP SEATS)

**CARPET COCKPIT STORAGE**

- 1753672 CARPET, EXT 18 OZ NICKEL GT

**COCKPIT CARPET**

- 1784334 180SP 05,CARPET,SNPN CKPT CMLPT W/BNCHST  
(SNAP-IN CARPET COCKPIT)
- 1784335 180SP 05,CARPET,SNPN CKPT CMLPT W/MTRBX  
(SNAP-IN CARPET COCKPIT)
- 1609916 CARPET, EXT 28 OZ DUNE PEBBLE #902 RL 7"W  
(SNAP-IN CARPET COCKPIT)
- 154369 SNAP STUD, W/#8 X 3/8" PH SS  
(SNAP-IN CARPET COCKPIT)
- 154393 SNAP SOCKET, MED ACTION  
(SNAP-IN CARPET COCKPIT)
- 154401 SNAP BUTTON, W/1/4" BARREL  
(SNAP-IN CARPET COCKPIT)
- 194225 SNAP REINFORCEMENT, PLAS BACKER  
(SNAP-IN CARPET COCKPIT)
- 839720 BINDING, CANVAS 1" LINEN BIAS SUNBRELLA  
(SNAP-IN CARPET COCKPIT)

**UPHOLSTERY**

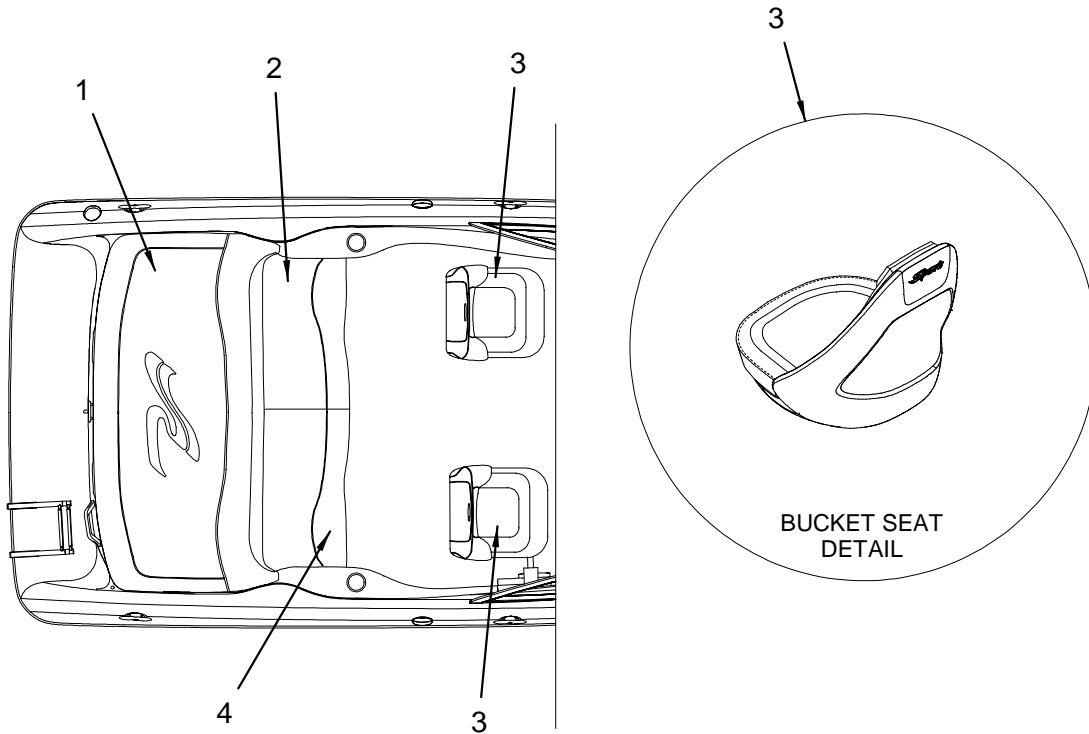
- 1757878 FOAM, P/C 180SP-04 MOTOR BOX 14PC
- 157495 TAB, PULL TAB MATERIAL 6"
- 1619212 WELT, DADE PEWTER MIST 5/32"
- 178442 VELCRO, LOOP WHT 1"
- 602169 TAB, PULL TAB MATERIAL 1.5"X 250YDS
- 1286426 VELCRO, DUAL LOCK CLR 1"X 50YD W/ADH BACK

**VINYLS**

- 1752133 VINYL, MERRITT STINGER CREAM EXP FLAT
- 1778341 VINYL, NICKEL SR-4983A EXP 1/4" FB
- 1778337 VINYL, NICKEL SR-4983A EXP FLAT



**COCKPIT (UPHOLSTERY) TWO BUCKET WITH SUNPAD AFT BENCH SEATING**



**COCKPIT (UPHOLSTERY) TWO BUCKET WITH SUNPAD AFT BENCH SEATING**

- 1 1784642 CUSH, 180SP-05 SUNPD/STRPS/HNG STNGR/D NCKL
- 1788418 CUSH SKIN, 180SP-05 SNPD STNGR/D NCKL
- 2 1780428 180SP 05.CUSH.BNCHST PRT
- 1780429 180SP 05.CUSH SKN.BNCHST PRT
- 1083419 BLOCK, HDPE 185/190SDOB/210-98 XL HOOK
- 3 1785014 BKT SEAT, SPRT-05 STNGR CRM/D NKL W/SPRTSCRPT
- 1788567 BKT SEAT, SPRT-05 STNGR SKN CRM/DNKL W/SPTSCP
- 4 1780430 180SP 05.CUSH.BNCHST STB
- 1780431 180SP 05.CUSH SKN.BNCHST STB
- 1083419 BLOCK, HDPE 185/190SDOB/210-98 XL HOOK

**LABELS**

- 1743499 LABEL, FIRE PRT ACCESS-KEEP CLEAR
- 1743546 LABEL, DO NOT STORE HEAVY/SHARP OBJECTS

**NOT SHOWN**

- 1596808 CANVAS, SUNBRELLA PUTTY TWEED 60"
- 1758265 BINDING, CANVAS 7/8" PUTTY STRAIGHT SUNBRELLA
- 1758957 PVC BOARD, 1/2"X 4'X 8' WHT INTEFOAM
- 508820 BUMPER, CANOE CLIP ROUND BLK SWIM LADDER
- 729004 TRIM-SEAL, 3/8" W/7/16"BULB LOC-C
- 801324 HDPE, 1/4"X 4'X 8' LAVANT II UTIL GRD BLK

**UPHOLSTERY**

- 1757879 FOAM, P/C 180SP-04 SUNPAD 12PC
- 1758887 FOAM, P/C 180SP-04 CONV SNPD 3PC ST
- 157495 TAB, PULL TAB MATERIAL 6"
- 602169 TAB, PULL TAB MATERIAL 1.5"X 250YDS
- 773630 MESH, WHITE 54"
- 1619212 WELT, DADE PEWTER MIST 5/32"
- 1752705 HIDEM, GRANDE STINGER CREAM 5/8"

**VINYLS**

- 1752133 VINYL, MERRITT STINGER CREAM EXP FLAT
- 1778341 VINYL, NICKEL SR-4983A EXP 1/4" FB
- 1778337 VINYL, NICKEL SR-4983A EXP FLAT

**MULTI-INFO PACKET**

**MULTI-INFO PACKET**
**MULTI-INFO PACKET**

1774187 PACKET, MULTI-INFO 180SPRT-05

**OWNERS PACKET CONTENTS**

1773946 MANUAL, OWNERS - 180BRSPRT-05  
 1774219 CARD, WARRANTY - SPRT BOAT 05  
 1751564 CARD, CANVAS CARE & CLEANING SEA RAY  
 1774948 CHECK LIST, IN SERVICE - SP BOATS 05  
 1507912 CARD, PASSPORT TO SAVINGS  
 1764423 BROCHURE, CARBON MONOXIDE AWARENESS  
 1766184 BROCHURE, WATERSKI SAFETY GUIDELINES  
 1507938 CARD, TALOR WINDSHIELD/GLASS CARE  
 1411404 ENVELOPE, DEALER INFORMATION  
 929828 CARD, BOATING GUIDE  
 1093988 PACKET, OWNERS 2-COMP LEGAL SIZE CANVAS BLK  
 833749 FUSE BOX, SPARE W/6 ATC BLADE STYLE  
 140061 PLUG, DRAIN PLUG SNAPTITE 1/2"  
 764316 DOCUMENT, CANVAS LTD WARRANTY  
 1789921 VIDEO, 05 OWNER ORIENTATION SPBOAT DVD  
 1751553 BOOKLET, COAST GUARD FEDERAL REQUIREMENT  
 1751550 CARD, CANVAS CARE & CLEANING MORBERN  
 1751555 BOOKLET, 3M MAINTENANCE INSTRUCTION  
 1751557 PACKET, 3M KIT  
 1789925 VIDEO, 05 CANVAS INSTALL BR/CLSD BOW DVD

**OWNERS PACKET CONTENTS (continued)**

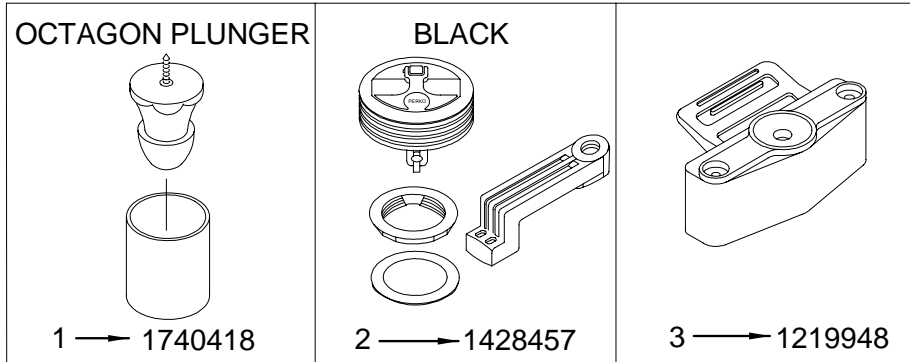
1751559 CARD, CANVAS CARE & CLEANING SUNBRELLA  
 1751562 CARD, WARRANTY SUNBRELLA LIMITED  
 1751563 BOOKLET, STA-BIL FUEL STABILIZER  
 1798084 LABEL, CHEMICAL WARNINGS

**OWNERS PACKET SUPPLIED BY PLANT**

618025 VINYL FILM, MINI GRIP BAG 5" X 8"  
 968339 VIDEO, 97 OWNER ORIENTATION SPBOAT PAL  
 (OWNER ORIENTATION VIDEO - PAL FORMAT)  
 1068592 KEY, DECK PLATE CAP  
 1584432 TAG, WATER READY  
 (PRE-RIGGED BOAT OPTION)  
 1691479 MANUAL, OWNERS - SEA RAY INT'L 12-LANGUAGE  
 (C E OPTION GROUP)

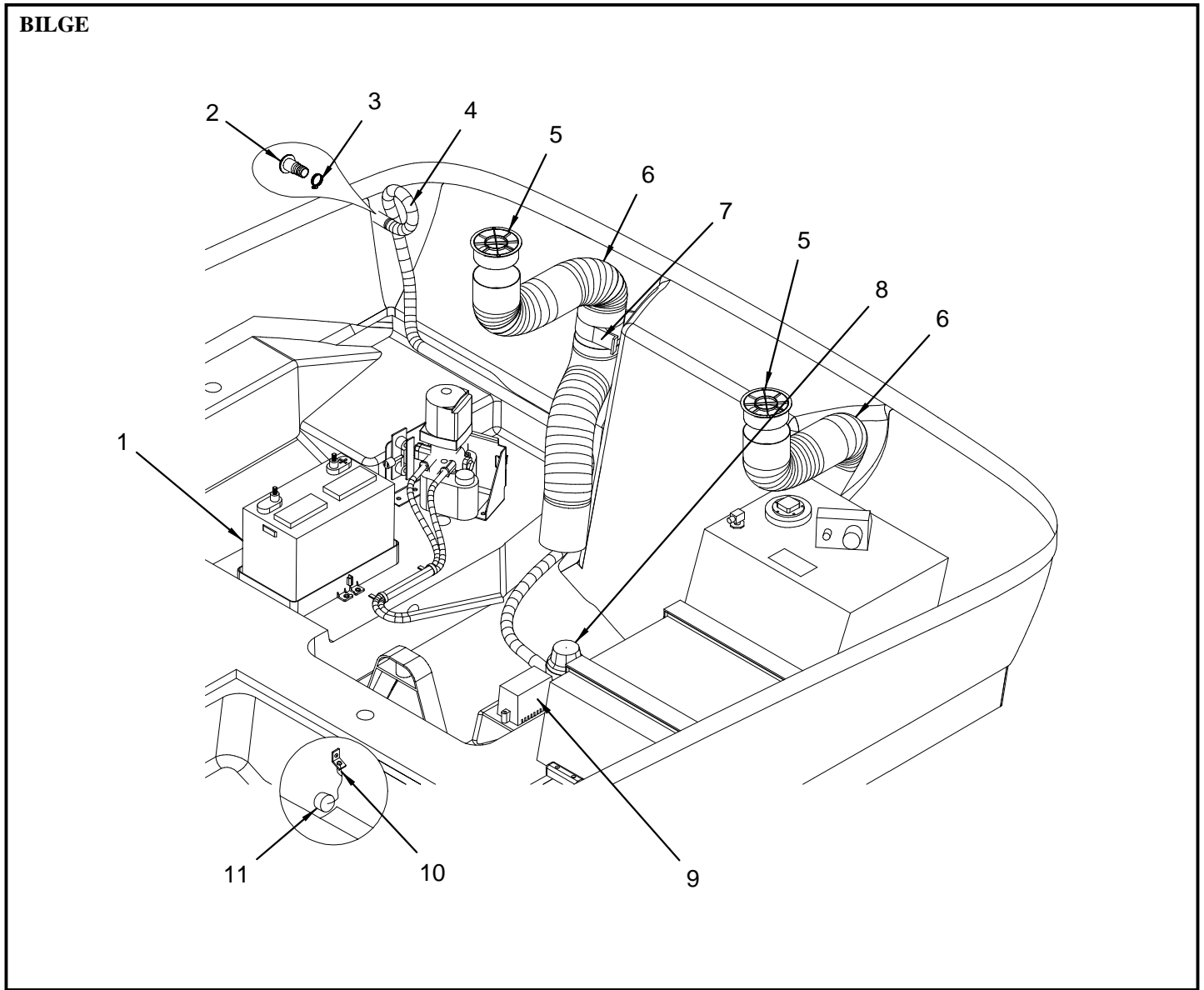
RIVERVIEW HARDWARE

# 2005 RIVERVIEW PLANT HARDWARE



**RIVERVIEW HARDWARE**

- 1 1740418 CATCH, RBR SUNPAD HOLD-DOWN W/OCTAGON PLUNGER  
(2 BUCKETS / SUNPAD / AFT FULL BENCH SEAT)
- 2 1428457 LATCH, FLUSH T-HNDL W/O LOCK BLK LONG CAM
- 3 1219948 LATCH, HATCH/SUNPAD BLK PLAS (ASAHI DENSO)



**BILGE**

- 1 1239458 HOLDER, BATTERY GR27/31 BLK NYLON W/SS
- 773820 CABLE, BATT RED 36" #2GA LUG 3/8" RING
- 1612324 CABLE, BATT BLK 48" 2GA LUG 3/8" RING
- 1612332 CABLE, BATT RED 48" 2GA LUG 3/8" RING
- (C E OPTION GROUP)
- 812909 CABLE, BATT RED 60" #2GA W/3/8"RINGS
- (C E OPTION GROUP)
- 130849 BOOT, BATTERY CABLE RED
- 130856 BOOT, BATTERY CABLE BLK
- 2 1098417 THRU-HULL, PLAS 1 1/8" PRL
- 3 123398 CLAMP, HOSE #06M 5/16"-7/8" SS MINI
- 4 123901 HOSE, CORR BILGE 1 1/8" BLK
- 5 716159 VENT, PLAS GRILL 4" BLK
- 6 124016 HOSE, VENT/BLOWER 4" EX HVY DTY
- 7 1771006 BLOWER, BILGE 4" #240MQ W/CONN
- 8 1771004 PUMP, BILGE 1100GPH W/IMPLLR HOUSG VNS W/CONN
- 9 1771033 SWITCH, FLOAT RULE W/CVVR W/CONN
- 10 418632 LANYARD, W/TAB/RING
- 11 156224 PLUG, DRAIN PLUG SNAPTITE 7/8"

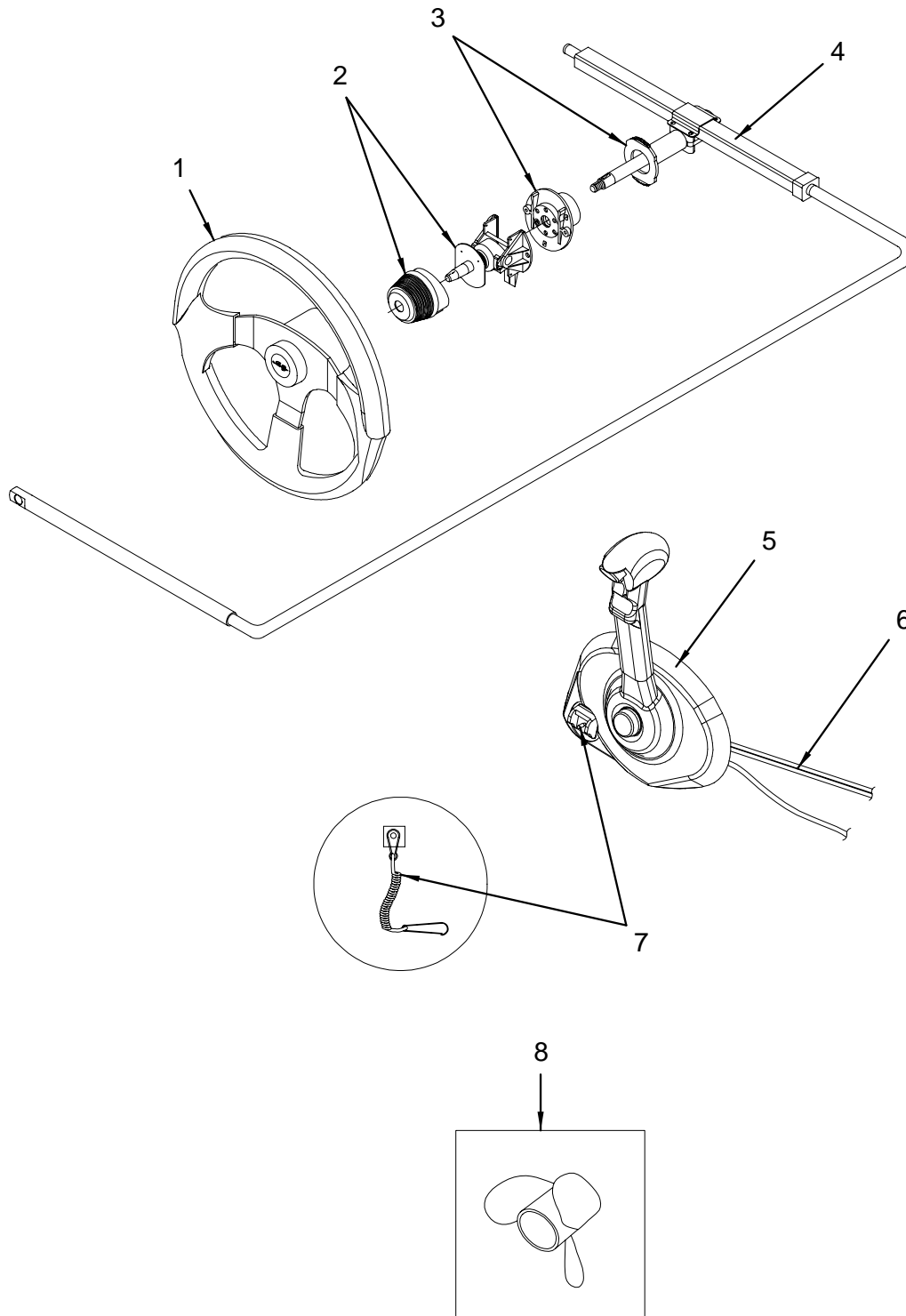
**NOT SHOWN**

- 1501782 HOSE, CONDUIT/SPLIT 1/2" FLAME RETARDANT
- 1501824 HOSE, CONDUIT/SPLIT 3/4" FLAME RETARDANT
- 123638 CLAMP, LOOM VINYL DIP 1.5"
- 835850 BRACKET, ALUM 1"X 1"X 1" 3/16"HOLES

**NOT SHOWN (continued)**

- 836007 BRACKET, ALUM 1.5"X 1.5"X 3" 3/16"HOLES
- 836023 BRACKET, ALUM 1.5"X 1.5"X 1.5" 3/16"HOLES
- 1758036 BRACKET, ALUM 180SP-04 2"X 2"X 1/4"X 3" HATCH
- 140509 BOOT, ENG STARTER RED
- (C E OPTION GROUP)
- 1772572 HARNESS, 180SP-05 WIRE W/CONN
- 1643154 FOAM, P/C 176BR-02 CONV BILGE 2-PC SET
- 1643162 FOAM, P/C 176BR-02 CONV BILGE 3-PC SET
- 1675750 FOAM, P/C 176BR-02 CONV BILGE CE OPT 2PC
- (C E OPTION GROUP)
- 1675768 FOAM, P/C 176BR-02 CONV BILGE CE OPT 3PC
- (C E OPTION GROUP)
- 1757879 FOAM, P/C 180SP-04 SUNPAD 12PC
- (2 BUCKETS / SUNPAD / AFT FULL BENCH SEAT)
- 1758887 FOAM, P/C 180SP-04 CONV SNPD 3PC ST
- (2 BUCKETS / SUNPAD / AFT FULL BENCH SEAT)
- 1771024 FIRE EXT SYS, FM200 75CF GAS-AUTO W/CONN
- (C E FIRE SYSTEM - EUROPEAN DEALERS ONLY)
- 1771025 FIRE EXT SYS, FM200 150CFGAS/DSL-MAN/AUTW/CON
- (FM-200 OPT. FIRE SUPPRESSION SYS-CAN.& AUS.)
- 1782631 HARNESS, MERC TRIM PUMP ADAPTER

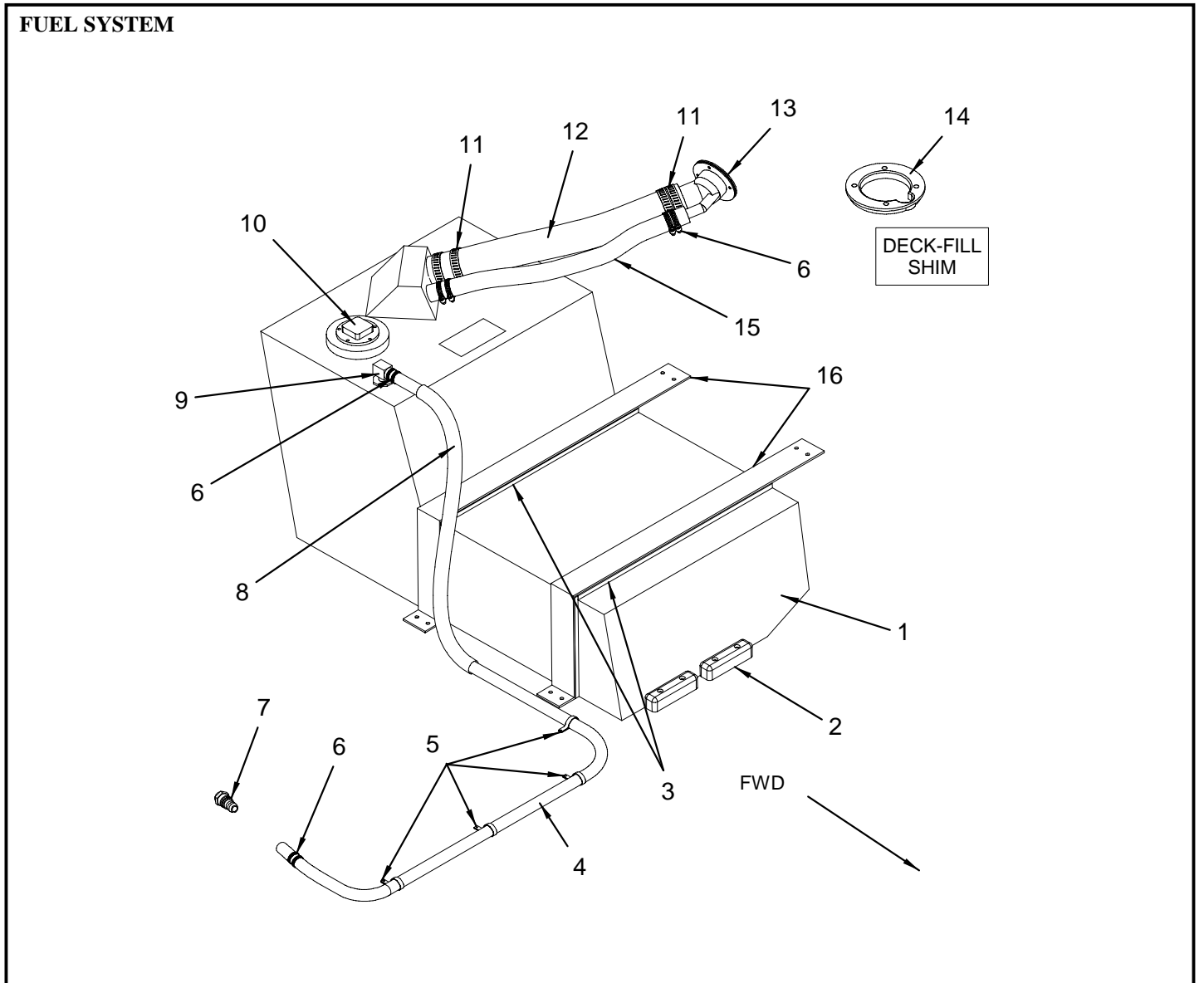
STEERING SYSTEM



---

**STEERING SYSTEM**

- 1 1748128 STEERING WHEEL, PWTRMST 3-SPOKE VPR N/CTR PAD
- 1617596 PAD, STEER WHL CTR BLK W/SR LOGO
- 2 662510 STEERING, PERFORMANCE TILT MECHANISM
- 126987 STEERING, MOUNT 90 DEG BEZEL ONLY
- 958439 STEERING, BELLOWS TILT STEERING BLK
- 3 1092246 STEERING, TILT HELM BACK-MNT
- 4 1091834 STEERING, BACK MNT RACK/CABLE 14.0' ASSY
- 5 1754390 CONTROL, SIDE MNT PISTOL GRIP 4000 GEN II I/O  
(HULL# 2622 -> UP)
- 1754392 CONTROL, SIDE MNT LOCKBAR 3000 GEN II I/O  
(HULL# 1001 -> 2621)
- 6 1757737 CABLE, CONTROL MERC GEN II STD 16 LAY 10'BULK  
(THROTTLE CABLE)
- 1757739 CABLE, CONTROL MERC GEN II STD LAY 16 11'BULK  
(SHIFT CABLE)
- 7 778928 LANYARD, COILED STOP SWITCH
- 8 944868 PROP, 14.25"X 21" ALUM BLACK MAX
- 944835 PROP, 14.5"X 19" ALUM BLACK MAX  
(19" BLACK MAX PROP)



**FUEL SYSTEM**

- 1 1771037 TANK, FUEL 180SP-05 21GAL W/SS SENDER W/CONN
- 2 609883 CLEAT, PLAS 3/4"X 1"X 4" GREY
- 3 1497452 TAPE, FOAM NEOPRENE W/3M 9828 3/8"TH X 2"W
- 4 1497486 HOSE, FUEL 3/8" ISO/CE W/PLAS LINER
- 5 123661 CLAMP, LOOM VINYL DIP 1"
- 6 123398 CLAMP, HOSE #06M 5/16"-7/8" SS MINI  
723759 COVER, CLAMP END PROT .035"X.300-1/2"RED
- 7 1046382 ADAPTER, BRASS 3/8"MPT X 3/8"BARB
- 8 1501840 HOSE, CONDUIT/SPLIT 1" FLAME RETARDANT
- 9 1433903 TANK, FUEL HDWR ANTI SIPHON VALVE  
1758564 ELBOW, SS P/U 3/8"MPT X 1/4"NPT  
1098250 TUBE, P/U FUEL-SPECIFY TANK (FOR#1076223)  
1433895 TANK, FUEL HDWR 1/2" SS SCREEN
- 10 1787020 SENDING UNIT, WEMA 14" SS W/SCRW&GSKT W/CONN  
(SUPPLIED WITH FUEL TANK)
- 11 256693 CLAMP, HOSE #24 1"-2" SS .505  
723742 COVER, CLAMP END PROT .045"X.465-1/2"RED
- 12 123745 HOSE, FUEL 1.5" TYPE A CLASS 2
- 13 1109354 DECK PLATE, GAS CHR W/VENT 45DG NCK RED CODE  
(HULL# 2304 -> UP)
- 1771034 DECK PLATE, GAS CHR W/VNT 45DG NCK RED W/CONN  
(HULL# 1001 -> 2303)
- 1213867 DECK PLATE, CAP W/CHAIN GAS (FOR #1109354)
- 1068592 KEY, DECK PLATE CAP
- 14 1098615 DECK PLATE, GAS CHR W/VENT (SHIM ONLY)
- 15 947499 HOSE, FUEL 5/8" ISO/CE

16 1591536 STRAP, FUEL TANK 176BR-02 22 5/8"X 8" ALUM

**LABELS**

- 1745157 LABEL, FUEL RECOMMENDATION
- 1745513 LABEL, WARNING LEAKING FUEL

**3.0L ALPHA ( 135 PHP ) MCM STERN DRIVE**

1076082 OUTDRIVE UNIT, MERC ALPHA 2.0:1  
1056373 S/D, MERC 135HP 3.0L WPS ALPHA

**2 BUCKETS / SUNPAD / AFT FULL BENCH SEAT**

1155993 ACCESS PLATE, POLYPROP W/O-RING 4" PEARL  
1758265 BINDING, CANVAS 7/8" PUTTY STRAIGHT SUNBRELLA  
836023 BRACKET, ALUM 1.5"X 1.5"X 1.5" 3/16"HOLES  
836007 BRACKET, ALUM 1.5"X 1.5"X 3" 3/16"HOLES  
634550 BRACKET, SS GAS CYL 90DEG L-BRKT W/BALL LONG  
508820 BUMPER, CANOE CLIP ROUND BLK SWIM LADDER  
1747456 CANVAS, 180BRSPRT-04 SNPD BLKHD FLAP PTY  
1596808 CANVAS, SUNBRELLA PUTTY TWEED 60"  
1753672 CARPET, EXT 18 OZ NICKEL GT  
1740418 CATCH, RBR SUNPAD HOLD-DOWN W/OCTAGON PLUNGER  
609883 CLEAT, PLAS 3/4"X 1"X 4" GREY  
1784642 CUSH, 180SP-05 SUNPD/STRPS/HNG STNGR/D NCKL  
1758887 FOAM, P/C 180SP-04 CONV SNPD 3PC ST  
1757879 FOAM, P/C 180SP-04 SUNPAD 12PC  
1425347 GEL COAT, ENVIROTECH SR BILGE PEARL  
801324 HDPE, 1/4"X 4"X 8" LAVANT II UTIL GRD BLK  
1752705 HIDEM, GRANDE STINGER CREAM 5/8"  
1743546 LABEL, DO NOT STORE HEAVY/SHARP OBJECTS  
1743499 LABEL, FIRE PRT ACCESS-KEEP CLEAR  
773630 MESH, WHITE 54"  
1758957 PVC BOARD, 1/2"X 4"X 8" WHT INTEFOAM  
154401 SNAP BUTTON, W/1/4" BARREL  
194225 SNAP REINFORCEMENT, PLAS BACKER  
154393 SNAP SOCKET, MED ACTION  
154369 SNAP STUD, W/#8 X 3/8" PH SS  
157495 TAB, PULL TAB MATERIAL 6"  
729004 TRIM-SEAL, 3/8" W/7/16" BULB LOC-C  
1752133 VINYL, MERRITT STINGER CREAM EXP FLAT  
1778341 VINYL, NICKEL SR-4983A EXP 1/4" FB  
1619212 WELT, DADE PEWTER MIST 5/32"

**STANDARD PAINTED TRAILER**

1755481 TAPE, APP TRAILER 04 MAGNESIUM

**CANVAS PACKAGE**

1749028 CANVAS, 180BRSPRT-04 BIM CPC N/SNPS RED  
1748575 CANVAS, 180BRSPRT-04 CONV TOP BOOT RED  
1748581 CANVAS, 180BRSPRT-04 TONNEAU CVR RED  
1783342 CANVAS, 180SP-05 AFT CURT RED  
1783336 CANVAS, 180SP-05 CONV TOP RED SEAMARK  
1783339 CANVAS, 180SP-05 SIDE CURT SET RED  
1092162 CANVAS, STRG BAG 12X38 CLOUDBRST TONNEAU/CKPT

**OPEN MOLDING PROCESS**

1425347 GEL COAT, ENVIROTECH SR BILGE PEARL  
1599109 PLY, P/C TRNSM BOARD TREATED 23.5"X 19.5"  
744201 TUBING, POLY STYRENE 4.25"X 1.5"  
1688331 VINYL FILM, PEEL PLY RELEASE 60"X 100LY NAT'L

**DEPTH FINDER**

1760288 DEPTH FINDER, TECHSONIC GRN LIGHT  
888792 FUSE HOLDER, BLADE TYPE DEPTH SOUNDER 3A  
1754589 TRANSDUCER, TECHSONIC

**BIMINI TOP & BOOT**

1748541 CANVAS, 180BRSPRT-04 BIM TOP BOOT W/EMB RED  
1783333 CANVAS, 180SP-05 BIM TOP RED  
934083 LIGHT, NAV A/R STERN 75"13DEG RG THRNTU

**19" BLACK MAX PROP**

944835 PROP, 14.5"X 19" ALUM BLACK MAX

**FM-200 OPT. FIRE SUPPRESSION SYS-CAN.& AUS.**

1771025 FIRE EXT SYS, FM200 150CFGAS/DSL-MAN/AUTW/CON

**SNAP-IN CARPET COCKPIT**

839720 BINDING, CANVAS 1" LINEN BIAS SUNBRELLA  
1609916 CARPET, EXT 28 OZ DUNE PEBBLE #902 RL 7"W  
154401 SNAP BUTTON, W/1/4" BARREL  
194225 SNAP REINFORCEMENT, PLAS BACKER  
154393 SNAP SOCKET, MED ACTION  
154369 SNAP STUD, W/#8 X 3/8" PH SS

**TWO TONE GELCOAT GRAPHICS**

1791044 GEL COAT, VIBRANT YELLOW  
1690266 GEL COAT, YELLOW ARMORCOTE  
1758595 TAPE, MOLD MASK 180BRSPRT-04 KIT

**STBD BUCKET/PORT B/B /MOTOR BOX /JUMP SEATS**

1784641 B/B SEAT, SPRT-05 STNGR CRM/D NCKL W/6.5"SCRP  
1799782 B/B SEAT, SPRT-05 STNGR CRM/D NCKL W/BASE  
833657 BASE, B/B PLAS 7" LOUNGE ENDS  
833632 BASE, B/B PLAS 8" LOUNGE CTR SP  
1192681 BASE, B/B PLAS 8" LOUNGE END LH  
1192673 BASE, B/B PLAS 8" LOUNGE END RH  
833590 BASE, B/B PLAS 8" LOUNGE SIDE  
833608 BASE, B/B PLAS 8" LOUNGE SIDE SP  
833640 BASE, B/B PLAS PIPE RETAINERS  
1690896 PLATE, ALUM 1/4"X 2"X 9.75" W/2" TAPPED HOLES  
1249770 PLATE, ALUM 3/16"X 2"X 3" HOLES TAPPED  
128686 PLEX, ROD 5/8"X 8" DELRIN

**TRAVEL / STORAGE COVER**

1617539 CANVAS, 176BR-02 TRAV STRG CVR CLDBRST

**COCKPIT COVER W/ TONNEAU COVER**

1749044 CANVAS, 180BRSPRT-04 CPC W/SNPS RED  
1748581 CANVAS, 180BRSPRT-04 TONNEAU CVR RED  
1092162 CANVAS, STRG BAG 12X38 CLOUDBRST TONNEAU/CKPT

**GALVANIZED TRAILER**

1752097 TIRE, W/RIM GALV 185/80R13C MAXXIS RADIAL  
1616408 TRAILER, 176BR-02 GALV BLK SWING TNG FXD AXLE

**C E OPTION GROUP**

140509 BOOT, ENG STARTER RED  
836007 BRACKET, ALUM 1.5"X 1.5"X 3" 3/16"HOLES  
1612332 CABLE, BATT RED 48" 2GA LUG 3/8" RING  
812909 CABLE, BATT RED 60" #2GA W/3/8" RINGS  
1675750 FOAM, P/C 176BR-02 CONV BILGE CE OPT 2PC  
1675768 FOAM, P/C 176BR-02 CONV BILGE CE OPT 3PC  
1745514 LABEL, PREVENT DISCHARGE OF POLLUTANTS  
1691479 MANUAL, OWNERS - SEA RAY INT'L 12-LANGUAGE  
723791 PANEL, SPBOATS BATT SW BLK OPT  
1749018 PLATE, CE OPT C:180BRSPRT/6PERSON/495KG  
723650 SWITCH, BATTERY ON/OFF MASTER W/LOCK

**C E FIRE SYSTEM - EUROPEAN DEALERS ONLY**

1771024 FIRE EXT SYS, FM200 75CF GAS-AUTO W/CONN

**2.4 TO 1 ALPHA HIGH ALTITUDE GEAR RATIO**

1106228 OUTDRIVE, MERC ALPHA 2.4:1 HI-ALT

**OWNER ORIENTATION VIDEO - PAL FORMAT**

968339 VIDEO, 97 OWNER ORIENTATION SPBOAT PAL

**CANADIAN CONFORMITY STICKER**

1759613 LABEL, STICKER 180BR CANADIAN CAPACITY

**PREMIER STEREO UPGRADE - W/ REMOTE AT HELM**

1312750 CABLE, CLARION REMOTE EXTENSION CABLE 24'  
1750878 CABLE, RCA AUDIO 20' W/EFX-2 CONN W/NOISE SUP  
1596923 FUSE HOLDER, BLADE TYPE ACCY 10A  
1717332 GRILL, SPEAKER 6.5" ACOM BLK  
1736985 HARNESS, 185BR-03 STEREO AMP  
1690557 SPEAKER, COAXIAL 6.5" N/CVR  
1753393 STEREO, AM/FM CD PLAYER CLARION M335 RMTE RDY  
1767698 STEREO, AMP MARINE AUDIO MAA402 12V  
1753394 STEREO, REMOTE CNTRL W/DISPLAY FOR M335

**SPORTS TOWER W/BIMINI TOP & WAKEBOARD RACKS**

1760044 CANVAS, 200/180/185SP-04 BIM BOOT W/TWR RED  
1760040 CANVAS, 200/180/185SP-04 BIM TOP W/TWR RED  
1745125 LABEL, SKI TOW ROPE BACKLASH  
1783635 SUPPORT, SR-05 ALUM WAKEBOARD RACK ANODIZED  
1770198 TOWER, 180SP-04 ALUM WTR SPRTS

**PAINTED TRAILER W/ BRAKES**

1754751 TRAILER, 180BR-04 SWING-TONGUE W/BRKS PRL

**GALVANIZED TRAILER W/ DISC BRAKES**

1616390 TRAILER, 176BR-02 SWING-TONG W/DSC BRKS GALV