

2007 200SEL

PARTS MANUAL

200

BOW RIDER

SELECT I/O



Sea Ray® Parts Manual, 2007 200 BOW RIDER SELECT I/O MRP #
Sea Ray Boats, 2600 Sea Ray Blvd., Knoxville, TN 37914. For information call 1-800-SRBOATS or fax 1-314-213-7878 (USA and International).
Internet address: <http://www.searay.com>

Note: Not all accessories shown in pictures or described herein are standard equipment or even available as options.
Options and features are subject to change without notice.

Confirm the availability of all accessories and equipment with an authorized Sea Ray® dealer.

2007 200 BOW RIDER SELECT I/O

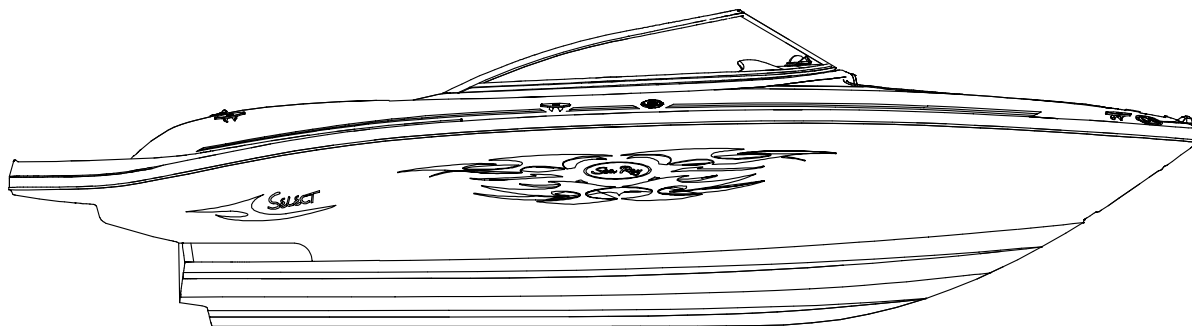


TABLE OF CONTENTS

STANDARD & OPTIONAL LAYOUTS	PAGE
GELCOATS	1
EXTERIOR (HULL AND SWIM PLATFORM)	2, 3
EXTERIOR (DECK)	4, 5
WATER SPORTS TOWER	6, 7
WATER SPORTS TOWER OPTION	8
EXTERIOR (GRAPHICS) EXTREME	9
EXTERIOR (GRAPHICS) NO GRAPHICS WITH TWO TONE ONLY	10
EXTERIOR (GRAPHICS) TRADITIONAL SELECT	11
EXTERIOR (GRAPHICS) BOOTE STRIPE	12
CANVAS (BLACK)	13, 14
CANVAS (RED)	15, 16
CANVAS (BLUE)	17, 18
COCKPIT (FORWARD PORT VIEW)	19, 20
COCKPIT (FORWARD STARBOARD VIEW)	21, 22
COCKPIT (AFT PORT VIEW)	23, 24
COCKPIT (AFT STARBOARD VIEW)	25, 26
COCKPIT (HELM)	27, 28
SATELLITE STEREO SYSTEM	29
COCKPIT (UPHOLSTERY) SUNPAD AFT FULL BENCH SEAT	30, 31
COCKPIT (UPHOLSTERY) AFT WALK-THRU SUNPAD	32, 33
MULTI-INFO PACKET	34
BILGE	35, 36
STEERING SYSTEM	37, 38
FUEL SYSTEM	39
TELLICO HARDWARE	40, 41

OPTIONS - PARTS LIST	PAGE
350 MAG MPI ALPHA (300 PHP) MCM STERN DR.	42
4.3L MPI ALPHA (220 PHP) MCM STERN DRIVE	42
5.0L MPI ALPHA (260 PHP) MCM STERN DRIVE	42
5.0L MPI BR 3 (260 PHP) MCM STERN DRIVE	42
NEUTRAL INTERIOR VINYL PACKAGE	42
AUSTRALIAN BUILDERS PLATE	42
WATER SPORTS TOWER WITH Z5 SPORT RACK	42
2ND STEREO REMOTE CONTROL -TRANSOM	42
PREMIER STEREO UPGRADE	42
DOCKING LIGHTS	42
ZZ UNREFERENCED ACCESSORY GROUP ITEMS	42
BIMINI TOP & BOOT	42
PERFECT PASS SPEED CONTROL	42
MIRROR, SKI TOW	42
17" VENGEANCE PROP.	42
22" BRAVO 3 SET (2 COUNTER ROTATING PROPS)	42
24" BRAVO 3 SET (2 COUNTER ROTATING PROPS)	42
15" VENGEANCE PROP.	42
TRADITIONAL "SELECT" GRAPHICS	42
NO GRAPHICS (ONLY W/ TWO TONE HULLS)	42
OPTIONAL - BOOT STRIPE	42
BOATER SAFETY KIT	42
PREMIUM TRAILER W/ 2ND AXLE DISC BRAKES	42
FM-200 OPTIONAL FIRE SUPPRESSION SYS-INT'L	42
TWO TONE GELCOAT	42
FILLER CUSHIONS	42
SPEAKERS FOR WATER SPORTS TOWER	42
BATTERY ON / OFF SWITCH	42
BLACK PAINTED TRAILER W/ SECOND AXLE BRAKES	42
BLACK PREMIUM TRAILER W/ DISC BRAKES	42
BLACK PREMIUM TRAILER 2ND AXLE DISC BRAKES	42
BLACK STANDARD PAINTED TRAILER W/ BRAKES	42
FIRE SUPPRESSION SYSTEM - AUTOMATIC	42
BATTERY SWITCH-DUAL W/ 2ND TRAY SINGLE ENG.	42, 43
1.62 TO 1 HIGH ALTITUDE GEAR RATIO FOR 350	43
WINDSHIELD WIPER (STARBOARD)	43
COCKPIT COVER W/ TONNEAU COVER	43
COMPASS	43
BIMINI CANVAS PACKAGE	43
TRANSOM TRIM SWITCH	43
CD CHANGER, 6 DISC	43
C E OPTION GROUP	43
C E FIRE SYSTEM - EUROPEAN DEALERS ONLY	43
1.81 TO 1 HIGH ALTITUDE GEAR RATIO	43
2.43 TO 1 BRAVO 3 HIGH ALTITUDE GEAR RATIO	43
CORSA THRU-HULL EXHAUST SYSTEM - SINGLE ENG	43
TWO BUCKETS W/ SUN PAD / WALK-THRU	43
CANADIAN CONFORMITY STICKER	43
PAINTED TRAILER W/ SECOND AXLE BRAKES	43
GALVANIZED TRAILER W/2ND AXLE DISC BRAKES	43
W.S.TOWER W/INTEGRAL BIMINI/WAKEBOARD RACKS	43
GALVANIZED TRAILER W/ DISC BRAKES	43
PREMIUM TRAILER W/ DISC BRAKES	43

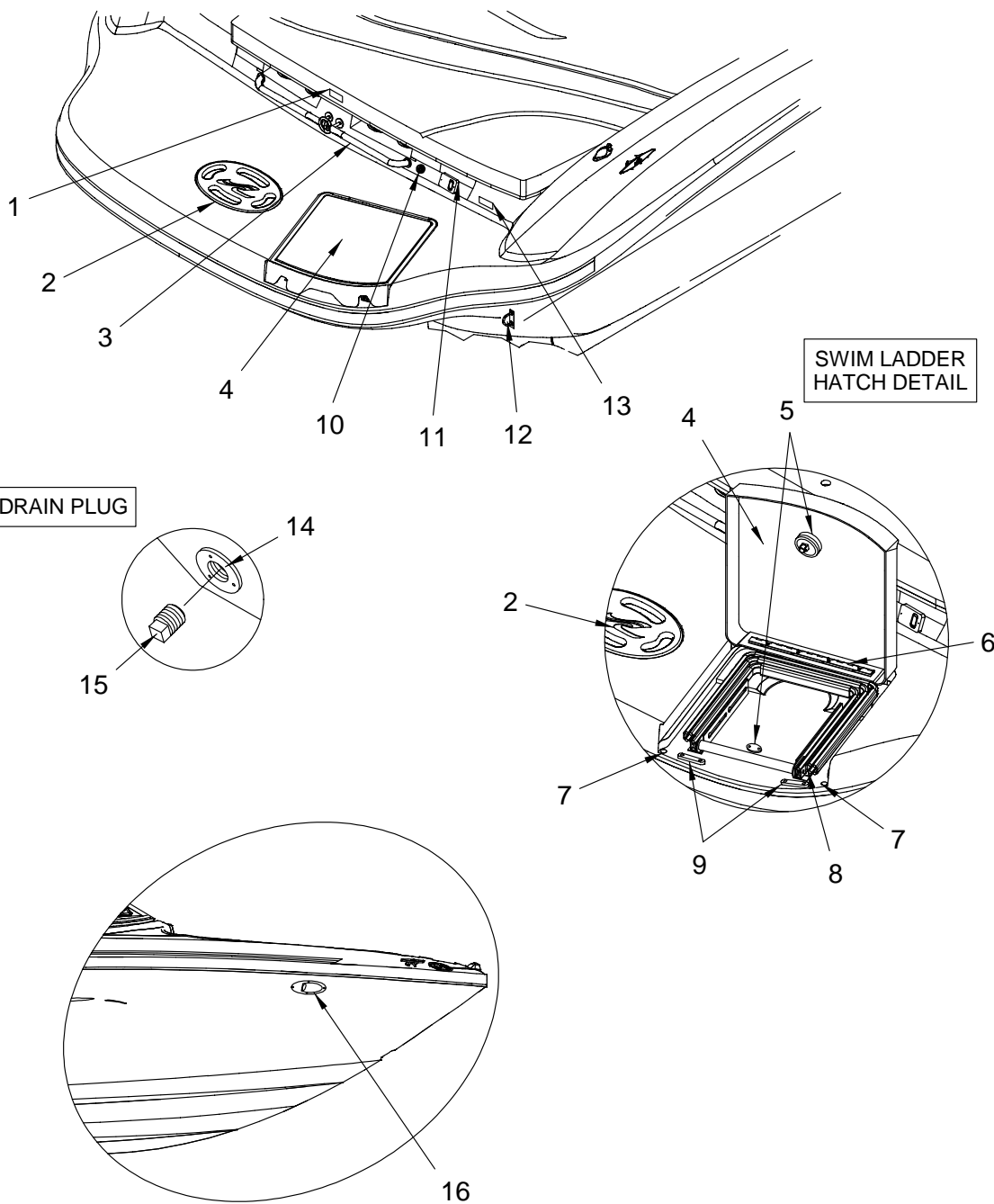
GELCOATS



GELCOATS

- 1558469 GEL COAT, MAXGUARD LE PEARL
(HULL, DECK AND LINER)
- 1763634 GEL COAT, MAXGUARD LE PEARL
(SMALL PARTS)
- 1452861 GEL COAT, PEARL AIR-DRY (BILGE)
(HULL, DECK AND SMALL PARTS)
- 1799861 GEL COAT, NICKLE MMHP
(DASH)
- 1310416 GEL COAT, GALAXY BLUE
- 1815536 GEL COAT, BLACK MMHP VALSPAR 5799B90015
- 1801663 GEL COAT, CINNABAR PEARL
- 1799781 GEL COAT, NEW PEWTER VALSPAR
- 1690265 GEL COAT, RED ARMORCOTE

EXTERIOR (HULL AND SWIM PLATFORM)



EXTERIOR (HULL AND SWIM PLATFORM)

- 1 1745125 LABEL, SKI TOW ROPE BACKLASH
- 2 1291103 INSERT, HDPE SWMPLTFM W/SR LOGO PRL
- 3 1747837 RAIL, STERN W/SKI TOW POLISHED 316L
- 1473040 PLATE, BACKING UNIVERSAL 3/16"
- 1830770 GASKET, SILICONE 70 DUR 1/16" X .375 X 1.0
(REPLACED SILICONE CAULK)
(USED ON CENTER POST - TWO REQUIRED)
- 1830766 GASKET, SILICONE 70 DUR 1/16" X .3 X 1.175
(REPLACED SILICONE CAULK)
(ONE USED ON PORT SIDE)
- 1830767 GASKET, SILICONE 70 DUR 1/16" X .38 X 1.245
(REPLACED SILICONE CAULK)
(ONE USED ON STARBOARD SIDE)
- 4 1853171 200SEL 07,HATCH,SWMPLTFM FBRGLS
- 1798794 PLATE, ALUM 1/4 X 2 X 10.5" TTPED HOLES REV1
- 5 1803572 HOLDER, MAGNETIC SHORT W/FLUSH MNT STRIKE
- 1760141 SHIM, PVC LADDER HATCH CATCH 1" WHT
- 1809685 SHIM, PVC LADDER HATCH CATCH 1/4" WHT
- 6 1749855 HINGE, SS CONT 2"X 14.5" X 1/2" KNUC POLISHED
- 7 274373 BUMPER, CANOE CLIP MED WHT
- 8 1798013 LADDER, SWIM 3 STEP SS SR CUSTOM STEP TREADS
(REPLACEMENT PARTS NOT SOLD SEPARATELY AT THIS TIME)
- 1848225 LADDER, TREAD UPR
(PART OF 1798013)
- 1848227 LADDER, TREAD MIDDLE
(PART OF 1798013)
- 1848229 LADDER, TREAD LWR
(PART OF 1798013)
- 9 1798635 BUMPER, HDPE LADDER HATCH '05 PRL
- 10 1803477 STEREO, REMOTE CNTRL N/D SPL BLK FACE/SS BZL
(2ND STEREO REMOTE CONTROL -TRANSOM)
- 1312750 CABLE, CLARION REMOTE EXTENSION CABLE 24'
(2ND STEREO REMOTE CONTROL -TRANSOM)
- 935080 CABLE, CLARION DUAL REMOTE "Y"
(2ND STEREO REMOTE CONTROL -TRANSOM)
- 11 1803278 SWITCH, TILT EXTERNAL MOUNT W/CONN
(TRANSOM TRIM SWITCH)
- 12 697508 EYE, BOW 3/8" X 2.75"
- 1473040 PLATE, BACKING UNIVERSAL 3/16"
- 13 1745519 LABEL, DANGER SHUT OFF ENG WHEN NEAR SWIMMERS
- 14 1690996 FLANGE, RED BRASS DRAIN PLUG 1.25"
- 15 162263 PLUG, BRASS 1/2" MPT DRAIN SPARE
- 16 1791005 LIGHT, DOCKING SS 12V/50W W/ CONN
(DOCKING LIGHTS)
- 1800852 BULB, REPL FOR DOCKING LIGHT SS 12V/50W
(PART OF 1791005)
- 1800853 LIGHT, DOCKING SS 12V/50W LENS CVR ONLY
(PART OF 1791005)

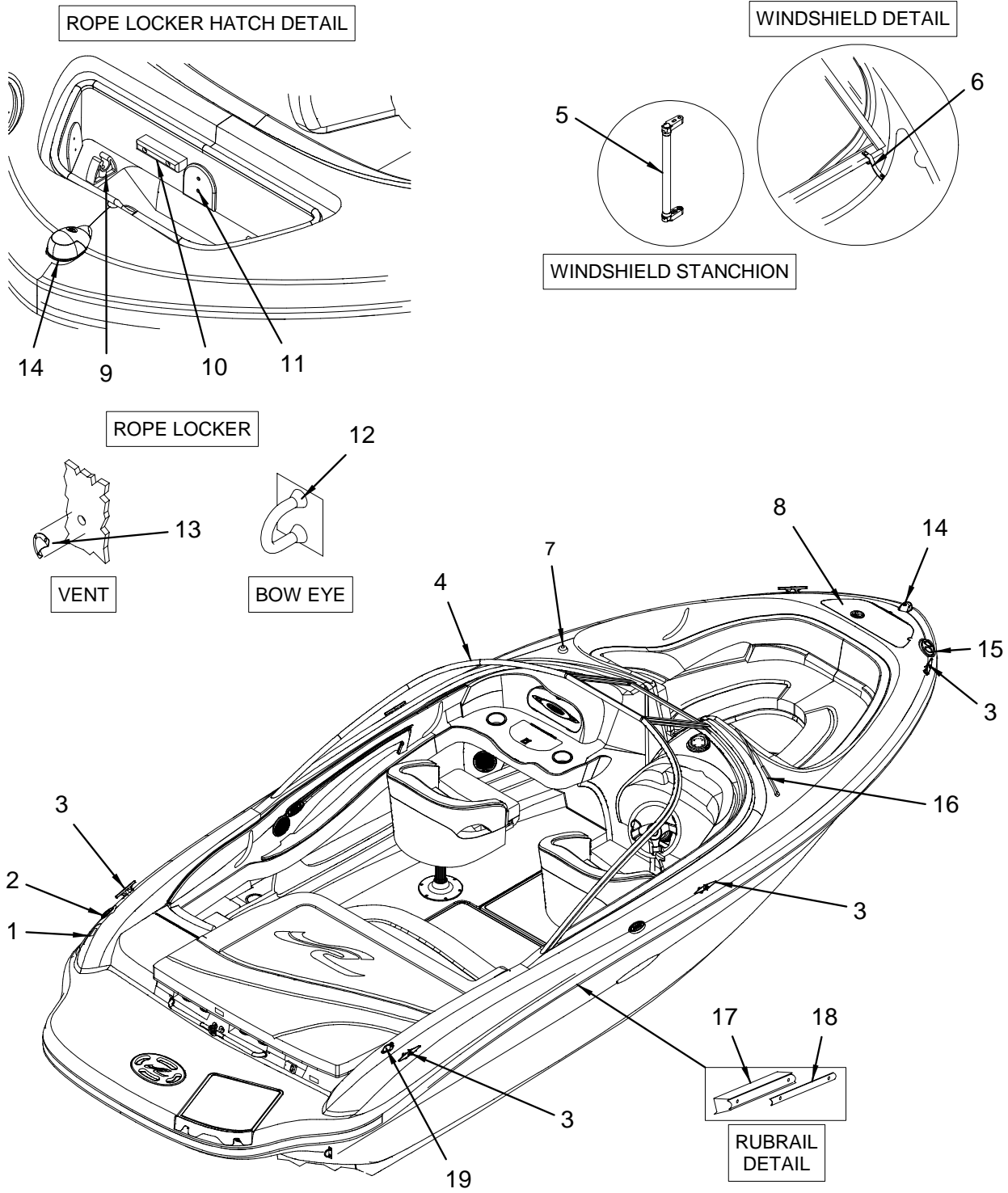
LABELS

- 1811367 LABEL, DANGER CO TRANSOM 06

TRAILERS

- 557991 TIE DOWN, TRAILER STRAP 2" X 37" W/JAY HOOK
- 1671288 TRAILER, 200BR/SD TNDM PNTD W/BRKS BLUE
- 1758416 TRAILER, 200BR/SD TNDM PNTD W/BRKS RED
(PEARL/RED)
- 1671502 TRAILER, 200BR/SD TNDM PNTD W/BRKS BLK UPGR
(PEARL/PEWTER & PEARL/BLACK & PEARL/CINNABAR)
(PREMIUM TRAILER W/ DISC BRAKES)
(PREMIUM TRAILER W/ 2ND AXLE DISC BRAKES)
- 1754134 TRAILER, 200BR/SD TNDM PNTD W/BRKS RED UPGR
(PEARL/RED)
(PREMIUM TRAILER W/ DISC BRAKES)
(PREMIUM TRAILER W/ 2ND AXLE DISC BRAKES)
- 1758417 TRAILER, 200BR/SD TNDM PNTD W/BRKS BLK
(PEARL/BLACK & PEARL/PEWTER & PEARL/CINNABAR)
- 1671510 TRAILER, 200BR/SD TNDM PNTD W/BRKS BLUE UPGR
(PEARL/GALAXY BLUE)
(PREMIUM TRAILER W/ DISC BRAKES)
(PREMIUM TRAILER W/ 2ND AXLE DISC BRAKES)
- 1760300 TRAILER, 200BR/SD-04 GALV W/DISC BRAKES PRL
(GALVANIZED TRAILER W/2ND AXLE DISC BRAKES)
(GALVANIZED TRAILER W/ DISC BRAKES)
- 1642404 BRAKE KIT, TRAILER TNDM AXLE/DISC
(PAINTED TRAILER W/ SECOND AXLE BRAKES)
(HULL# 3001 -> UP)
(PREMIUM TRAILER W/ 2ND AXLE DISC BRAKES)
(GALVANIZED TRAILER W/2ND AXLE DISC BRAKES)

EXTERIOR (DECK)



EXTERIOR (DECK)

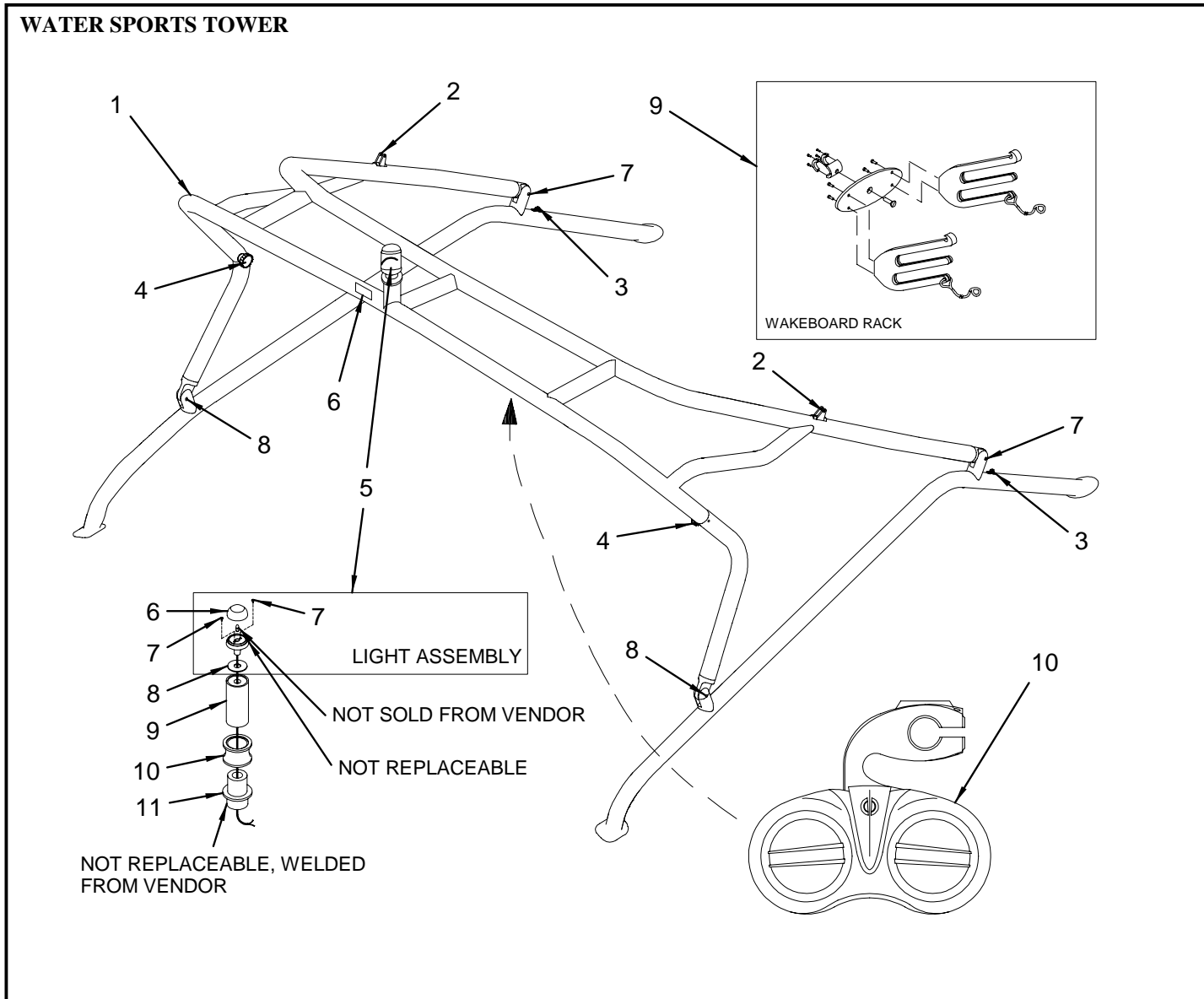
VAC PACK

- 1 1745158 LABEL, FUEL RECOMMENDATION/LP GAS WARNING
 2 1109354 DECK PLATE, GAS CHR W/VENT 45DG NCK RED CODE
 1213867 DECK PLATE, CAP W/CHAIN GAS (FOR #1109354)
 (PART OF 1109354)
 1098615 DECK PLATE, GAS CHR W/VENT (SHIM ONLY)
 (PART OF 1109354)
 1068592 KEY, DECK PLATE CAP
 (PART OF 1109354)
 3 1777986 CLEAT, 6" SEA RAY SS 2-BOLT
 1831194 GASKET, SILICONE 70 DUR 1/32"X 27 X.50 X.75
 (REPLACED SILICONE CAULK)
 (TWO REQUIRED PER CLEAT)
 1473040 PLATE, BACKING UNIVERSAL 3/16"
 4 1776715 W/S, 200/220SEL-05 PRT FRNT W/SNP CLICK TRK
 (NOTE: W/S PARTS ORDER DIRECT FROM TAYLOR)
 1801271 W/S, 200/220SEL/240SD DOOR W/SNPTRK
 (NOTE: W/S PARTS ORDER DIRECT FROM TAYLOR)
 1783035 W/S, 220/240SD-05 HDWR KIT
 (PART OF 1801271)
 1810998 W/S, 200/220SEL/240SD SCREW CVR
 (PART OF 1801271)
 1776716 W/S, 200/220SEL-05 STB FRNT W/SNP CLICK TRK
 (NOTE: W/S PARTS ORDER DIRECT FROM TAYLOR)
 1785544 VINYL, W/S GASKET 2005
 501528 BUMPER, BLACK SQUARE BUMPER
 5 1192665 SUPPORT, W/S 190BR-99
 6 1853172 200SEL 07.STRAP.W/S W/SNPS
 156893 WEBBING, POLYPROPYLENE 1" BLACK
 7 1757933 ANTENNA, SHAKESPEARE SATELLITE RADIO ANTENNA
 8 1853254 200SEL 07.HATCH.R/L FBRGLS
 1781437 LATCH, COMPRESSION 2"N/LOCKING SS
 (ORDER LATCH, PLATE AND CATCH FOR COMPLETE LATCH)
 1781440 PLATE, DEEP BRKT 2"W/HDWR PKG SS
 1781439 CATCH, PAWL 2"OFFSET SHORT SS
 1658061 HINGE, SS CONT 1.5"X 11" W/1/8" PIN
 9 590646 CLIP, POLE STRG BLK - MAST LIGHT
 10 1797939 CLEAT, PLAS 3/4"X 1"X 4" WHITE
 11 1635481 GUARD, HDPE 200/220BR-02 ROPE LCKR ANCHOR PRL
 12 1463702 EYE, BOW 3/8"X 3 7/16"
 1473040 PLATE, BACKING UNIVERSAL 3/16"
 13 126870 VENT, CLAMSHELL ROPE LCKR 1 5/8"X 1.5"
 14 1771010 LIGHT, NAV COMBO BOW SS REV1 W/CONN
 1798057 LIGHT, NAV COMBO BOW LENS CVR ONLY
 (PART OF 1771010)
 1423946 BULB, REPL FOR #1414895 12V
 (PART OF 1771010)
 15 1837054 HORN, SGL CONCEALED W/SS GRILL/CONN
 1840005 HORN GRILL, SGL CONCEALED SS
 (PART OF 1837054)
 1836433 HARNESS, HORN ADAPTOR FIAMM
 16 1748544 WIPER ARM, 11"-16" BLACK (AM)
 (WINDSHIELD WIPER - STARBOARD)
 1748538 WIPER BLADE, 14" FLEX BLACK (AM)
 (WINDSHIELD WIPER - STARBOARD)
 1748562 WIPER MOTOR, 85 DEG (AM)
 (WINDSHIELD WIPER - STARBOARD)
 1774618 HARNESS, MOTOR AM WIPER 6" PIGTAIL W/CONN
 (WINDSHIELD WIPER - STARBOARD)
 17 1752253 RUBRAIL, PVC PEARL 18"SS INSERT 1.825"W
 1675313 TAPE, NORSEAL 0.125"X 7/8"X 100' SWIVEL FREE
 18 1095959 INSERT, RUB RAIL SS 3/4"X 10' (.062/304SS)
 1080100 INSERT, RUB RAIL SS 3/4"X 12' (.062/304SS)
 19 1771002 LIGHT, NAV BASE ONLY STRN TEARDROP RV1 W/CONN
 (NOT USED W/SPORTS TOWER W/BIMINI TOP W/WAKEBOARD
 RACKS- A DIFFERENT STERN LIGHT IS LOCATED ON SPORTS
 TOWER)
 1646850 LIGHT, NAV A/R STERN 79"13DEG RG THRNUT
 (NOT USED W/SPORTS TOWER W/BIMINI TOP W/WAKEBOARD
 RACKS- A DIFFERENT STERN LIGHT IS LOCATED ON SPORTS
 TOWER)
 1798058 LIGHT, NAV A/R STERN 79" LENS CVR ONLY
 (PART OF 1646850)
 1205665 BULB, STERN NAV LIGHT REPL FOR#929042/#934083
 (PART OF 1646850)

- 1734620 TAPE, VAC PAK WHT (2"X 180') FLAME RETARDANT
 1691151 TAPE, VAC PAK WHT (4"X 180') FLAME RETARDANT
 1627447 VINYL FILM, 200BR-02 PLAS CVR W/VENTS
 1785967 VINYL FILM, 200SEL-05 PLAS CVR W/VENTS W/TWR
 (SPORTS TOWER W/BIMINI TOP W/WAKEBOARD RACKS)

LABELS

- 129122 LABEL, NMMA CERTIFIED
 1750454 DECAL, SEA RAY OWNERS CLUB (NBOA) RV
 1750455 DECAL, STRUCTURAL WARRANTY SPRTBT
 1791388 DECAL, MERCURY CERTIFIED INSTALLER



WATER SPORTS TOWER

- 1 1849549 TOWER, 200SEL-07 ALUM WTR SPRT W/LGHT N/SNAPS (W.S.TOWER W/INTEGRAL BIMINI/WAKEBOARD RACKS) (WATER SPORTS TOWER WITH Z5 SPORT RACK)
- 1849550 TOWER, 200SEL-07 ALUM TOWER W/LT/SPKR N/SNAPS (SPEAKERS FOR WATER SPORTS TOWER) (TOWER WITH HARNESS FOR SPEAKERS - ORDER SPEAKERS 1790333 SEPARATELY)
- 2 1747324 MOUNT, WATER SPORTS TWR BIM TOP MNT
- 1747327 RIVET, WATER SPORTS TWR LRG BIM MNT
- 3 1747325 EYE, STRAP EYE TIE-DOWN WTR SPRTS TWR
- 1747328 RIVET, WATER SPORTS TWR MED STRAP EYE
- 4 1751063 KNOB, WATER SPORTS TWR KNOB ASSY
- 5 1792995 LIGHT, ASSY WTR SPRTS TWR
- 6 1792997 LENS COVER, LIGHT WTR SPRTS TWR (PART OF 1792995)
- 7 1851701 SCREW, CAP 1/2" SCH #10-24 WTR SPRTS TWR (PART OF 1792995)
- 8 1838219 TOWER, ALUM WTR SPRTS SKI TOW GASKET (PART OF 1792995)
- 9 1851714 TOWER, ALUM WTR SPRTS SKI TOW EXTEN (SHORT) (PART OF 1792995)
- 1838216 TOWER, ALUM WTR SPRTS SKI TOW EXTEN (LONG) (PART OF 1792995)
- 10 1793000 SKI TOW BASE, NYLON BASE ONLY WTR SPRTS TWR (PART OF 1792995 & 1792998)
- 11 1793002 SKI TOW BASE, WELDED PIECE WTR SPRTS TWR (PART OF 1792995 & 1792998)

- 12 1745125 LABEL, SKI TOW ROPE BACKLASH
- 13 1762805 SCREW, CAP 3/8" SCH UNC WTR SPRTS TWR
- 1762804 WASHER, WATER SPORTS TWR LEG NYLON
- 14 1762803 PIN, WATER SPORTS TWR RAIL PULL W/LNYRD
- 15 1783635 SUPPORT, SR-05 ALUM WAKEBOARD RACK ANODIZED
- 1443191 EMBLEM, S/R WAVE 5" OVAL CHR TRNSM (PART OF 1783635) (LABEL NOW SOLD SEPARATELY)
- 16 1790333 SPEAKER, TOWER 6100 INFINITY W/AMP-MIC (SPEAKERS FOR WATER SPORTS TOWER)
- 1801814 STEREO, AMP F/INF-6100M (#1790333) (PART OF 1790333)
- 1750878 CABLE, RCA AUDIO 20' W/EFX-2 CONN W/NOISE SUP (SPEAKERS FOR WATER SPORTS TOWER)

HARDWARE

- 1756508 TOWER, 200SEL WTR SPRTS HDWR KIT (SEE HARDWARE FOR SEPARATE COMPONENTS)
- 1747326 SNAP, BIM WTR SPRTS TWR
- 1747329 RIVET, BIM SML SNAP WTR SPRTS TWR
- 1747371 BOLT, WATER SPORTS TWR 1/4-20-3"
- 1747372 NUT, NYLON LOCK 1/4-20 WTR SPRTS TWR
- 1747373 WASHER, WATER SPORTS TWR 1/4-20 FENDER
- 1762801 PLATE, WATER SPORTS TWR 4" OFFSET
- 1762800 GASKET, WATER SPORTS TWR 4" OFFSET
- 1762802 GASKET, WATER SPORTS TWR RECTANGLE MNT

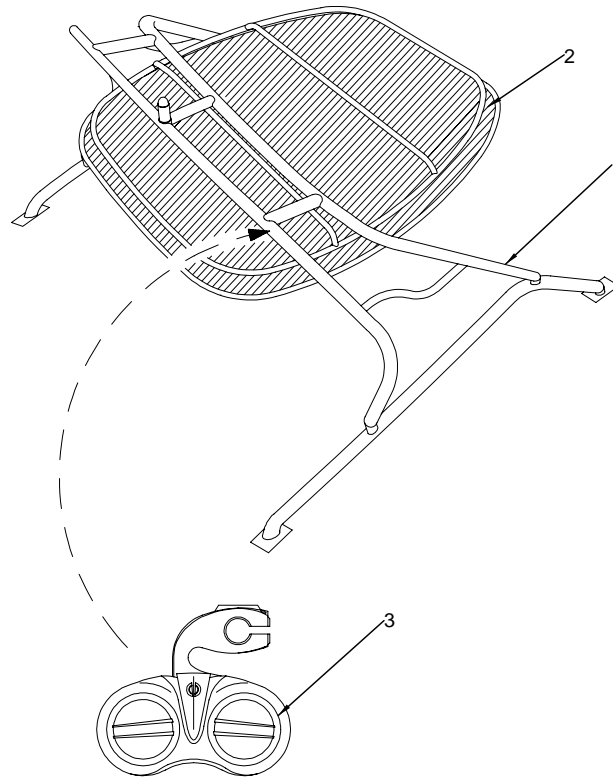
HARNESSES

- 1811741 HARNESSES, 200/220SEL TOWER SPKR
(SPEAKERS FOR WATER SPORTS TOWER)
(TOWER WITH HARNESS FOR SPEAKERS - ORDER SPEAKERS
1790333 SEPARATELY)
- 1786804 HARNESSES, TOWER 137"
(W.S.TOWER W/INTEGRAL BIMINI/WAKEBOARD RACKS)
(WATER SPORTS TOWER WITH Z5 SPORT RACK)

NOT SHOWN

- 1785967 VINYL FILM, 200SEL-05 PLAS CVR W/VENTS W/TWR
(W.S.TOWER W/INTEGRAL BIMINI/WAKEBOARD RACKS)
(WATER SPORTS TOWER WITH Z5 SPORT RACK)

WATER SPORTS TOWER OPTION



WATER SPORTS TOWER OPTION

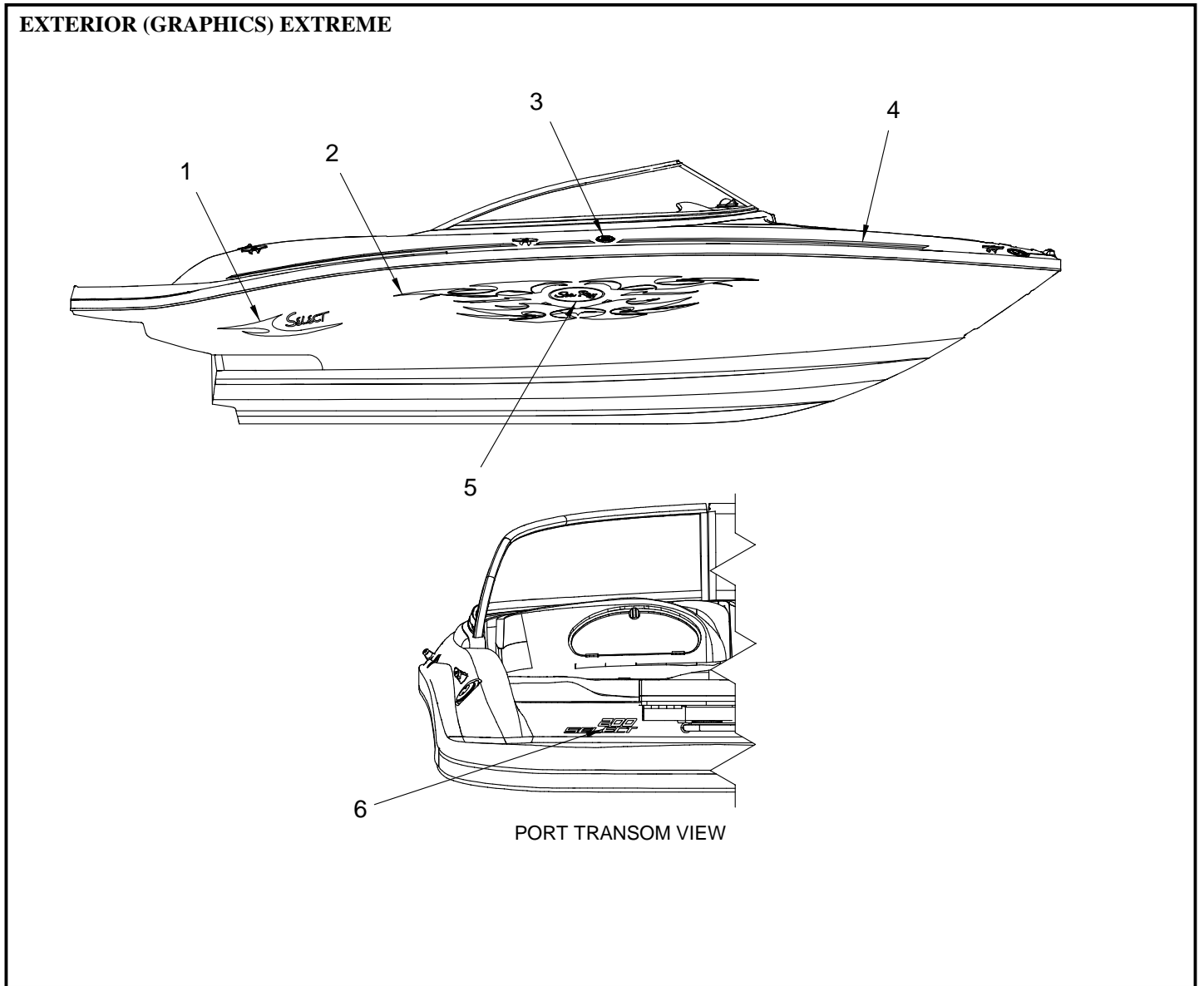
- 1 1849549 TOWER, 200SEL-07 ALUM WTR SPRT W/LGHT N/SNAPS
(WATER SPORTS TOWER WITH Z5 SPORT RACK)
(W.S.TOWER W/INTEGRAL BIMINI/WAKEBOARD RACKS)
- 2 1887389 SUPPORT, ALUM Z5 SPRTS RACK W/SNBRLA BIM TOP
(WATER SPORTS TOWER WITH Z5 SPORT RACK)
(W.S.TOWER W/INTEGRAL BIMINI/WAKEBOARD RACKS)
- 3 1790333 SPEAKER, TOWER 6100 INFINITY W/AMP-MIC
(SPEAKERS FOR WATER SPORTS TOWER)

HARNESSES

- 1786804 HARNESS, TOWER 137"
(W.S.TOWER W/INTEGRAL BIMINI/WAKEBOARD RACKS)
(WATER SPORTS TOWER WITH Z5 SPORT RACK)

NOT SHOWN

- 1785967 VINYL FILM, 200SEL-05 PLAS CVR W/VENTS W/TWR
(W.S.TOWER W/INTEGRAL BIMINI/WAKEBOARD RACKS)
(WATER SPORTS TOWER WITH Z5 SPORT RACK)
- 1801814 STEREO, AMP F/INF-6100M (#1790333)
(PART OF 1790333)
(SPEAKERS FOR WATER SPORTS TOWER)
- 1750878 CABLE, RCA AUDIO 20' W/EFX-2 CONN W/NOISE SUP
(SPEAKERS FOR WATER SPORTS TOWER)



EXTERIOR (GRAPHICS) EXTREME

- 1 1807099 TAPE, 200SEL-06 SELECT EXTREME SML FLARE STB
(PART OF 1807074)
- 1807098 TAPE, 200SEL-06 SELECT EXTREME SML FLARE PRT
(PART OF 1807074)
- 2 1807095 TAPE, 200SEL-06 SELECT EXTREME HULL
(PART OF 1807074)
(THIS PART ONE SIDE ONLY - PORT AND STBD ARE THE SAME)
- 3 507533 EMBLEM, OVAL 200 CHROME
- 4 1805243 TAPE, M/S 1/2" W/1/8" VOID BLK/ SLVR #064
- 5 1443183 EMBLEM, "SEA RAY" SCRIPT HULL LOGO CHR 13"
- 6 1752669 EMBLEM, MODEL DESG 200SEL TRNSM URTHN BLK/CHR
(PART OF 1807074)

NOT SHOWN (continued)

- 1690443 TAPE, SOLID 3/8" PRL
(NOTE: 150 FOOT ROLL OF TAPE) (TWO TONE GELCOAT)
- 1847805 TAPE, SOLID 3/8" PRL
(NOTE: 75 FOOT ROLL OF TAPE) (TWO TONE GELCOAT)

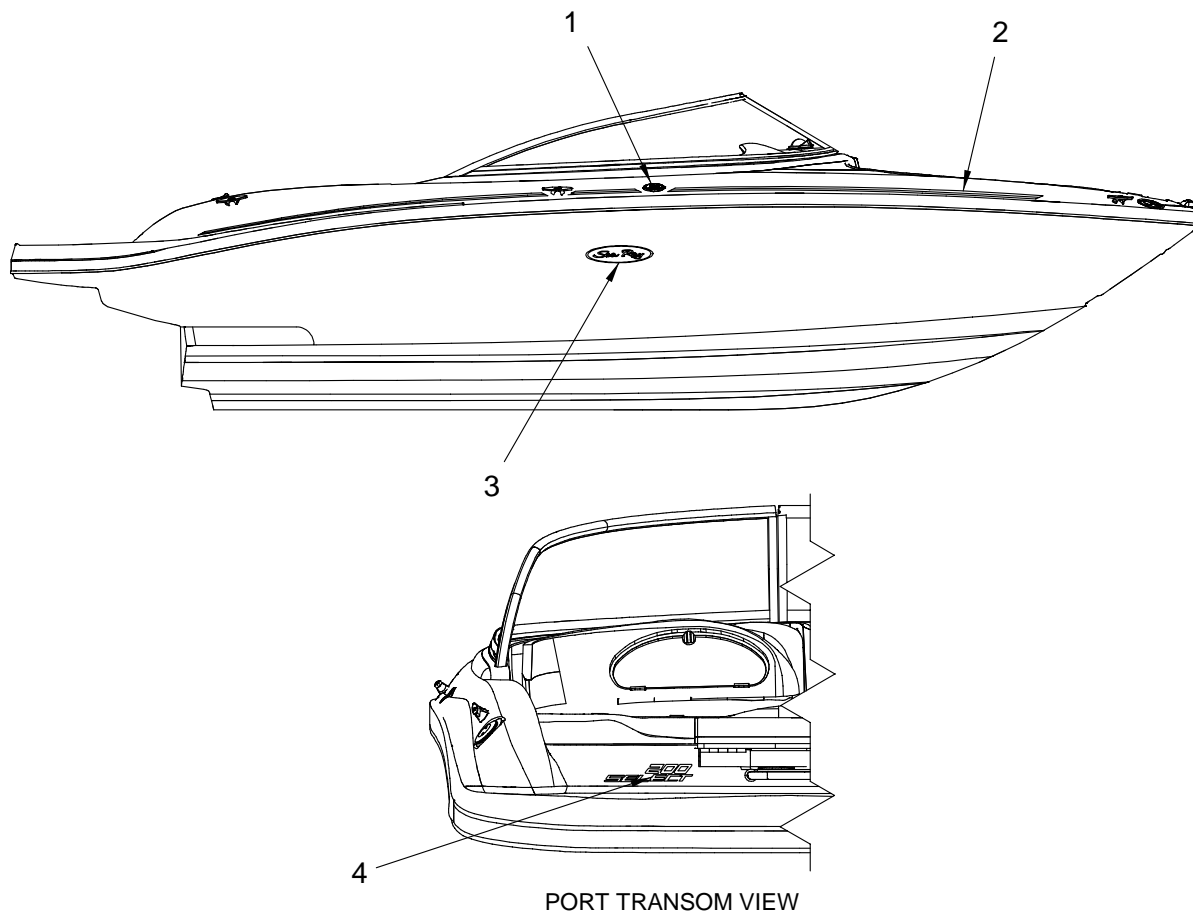
GRAPHICS KIT

- 1807074 GRAPHICS KIT , 200SEL-06 SELECT EXTREME
(NOTE: KIT DOES NOT CONTAIN M/S TAPES OR EMBLEMS)
- 1752669 EMBLEM, MODEL DESG 200SEL TRNSM URTHN BLK/CHR
(PART OF 1807074)

NOT SHOWN

- 1210558 TAPE, SOLID 1/4" PEARL GEL
(NOTE: 150 FOOT ROLL OF TAPE)
(USED TO SEPERATE TO COLORS OF GEL)
- 1847754 TAPE, SOLID 1/4" PEARL GEL
(NOTE: 75 FOOT ROLL OF TAPE)

EXTERIOR (GRAPHICS) NO GRAPHICS WITH TWO TONE ONLY



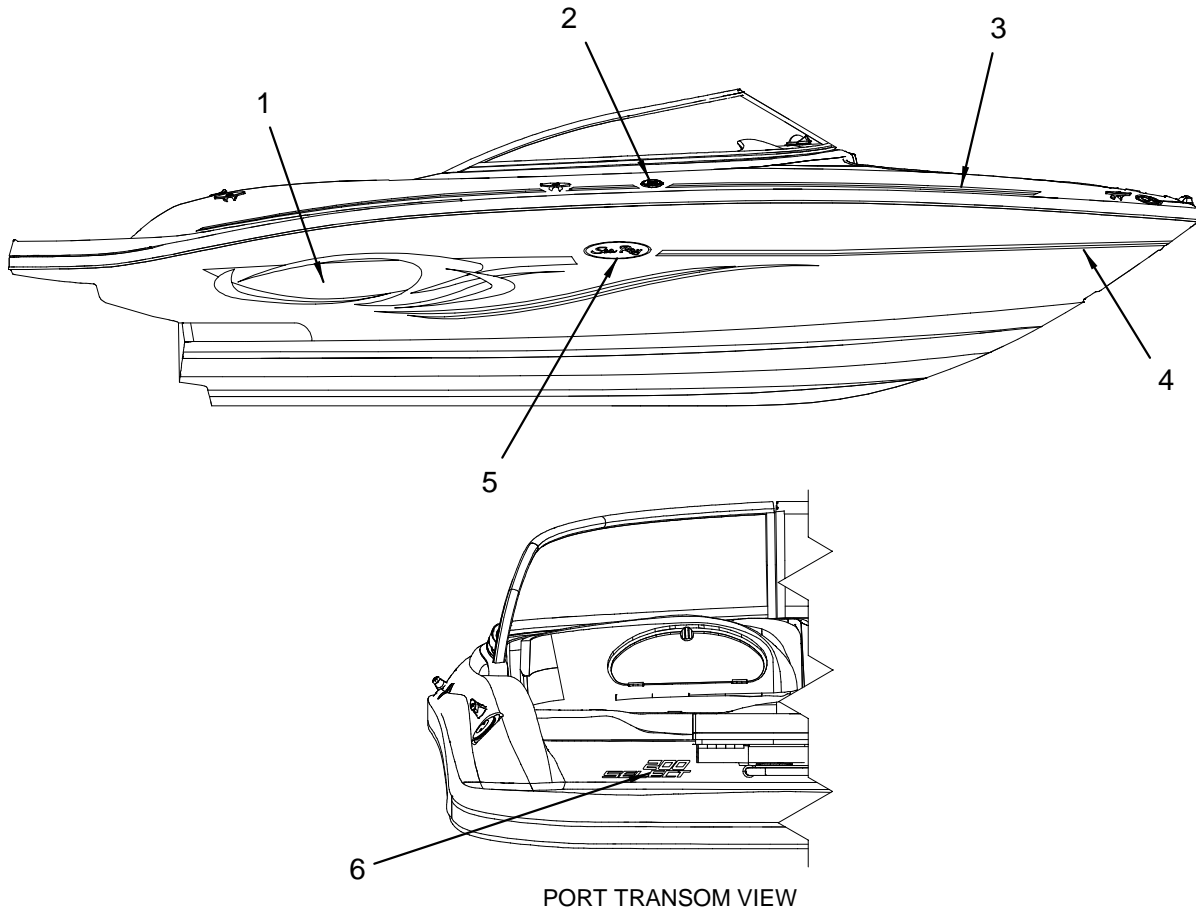
EXTERIOR (GRAPHICS) NO GRAPHICS WITH TWO TONE ONLY

- 1 507533 EMBLEM, OVAL 200 CHROME
- 2 1805243 TAPE, M/S 1/2" W/1/8" VOID BLK/ SLVR #064
- 3 1443183 EMBLEM, "SEA RAY" SCRIPT HULL LOGO CHR 13"
- 4 1752669 EMBLEM, MODEL DESG 200SEL TRNSM URTHN BLK/CHR

NOT SHOWN

- 1210558 TAPE, SOLID 1/4" PEARL GEL
(NOTE: 150 FOOT ROLL OF TAPE)
(USED TO SEPERATE TO COLORS OF GEL)
- 1847754 TAPE, SOLID 1/4" PEARL GEL
(NOTE: 75 FOOT ROLL OF TAPE)
- 1690443 TAPE, SOLID 3/8" PRL
(NOTE: 150 FOOT ROLL OF TAPE) (TWO TONE GELCOAT)
- 1847805 TAPE, SOLID 3/8" PRL
(NOTE: 75 FOOT ROLL OF TAPE) (TWO TONE GELCOAT)

EXTERIOR (GRAPHICS) TRADITIONAL SELECT



EXTERIOR (GRAPHICS) TRADITIONAL SELECT

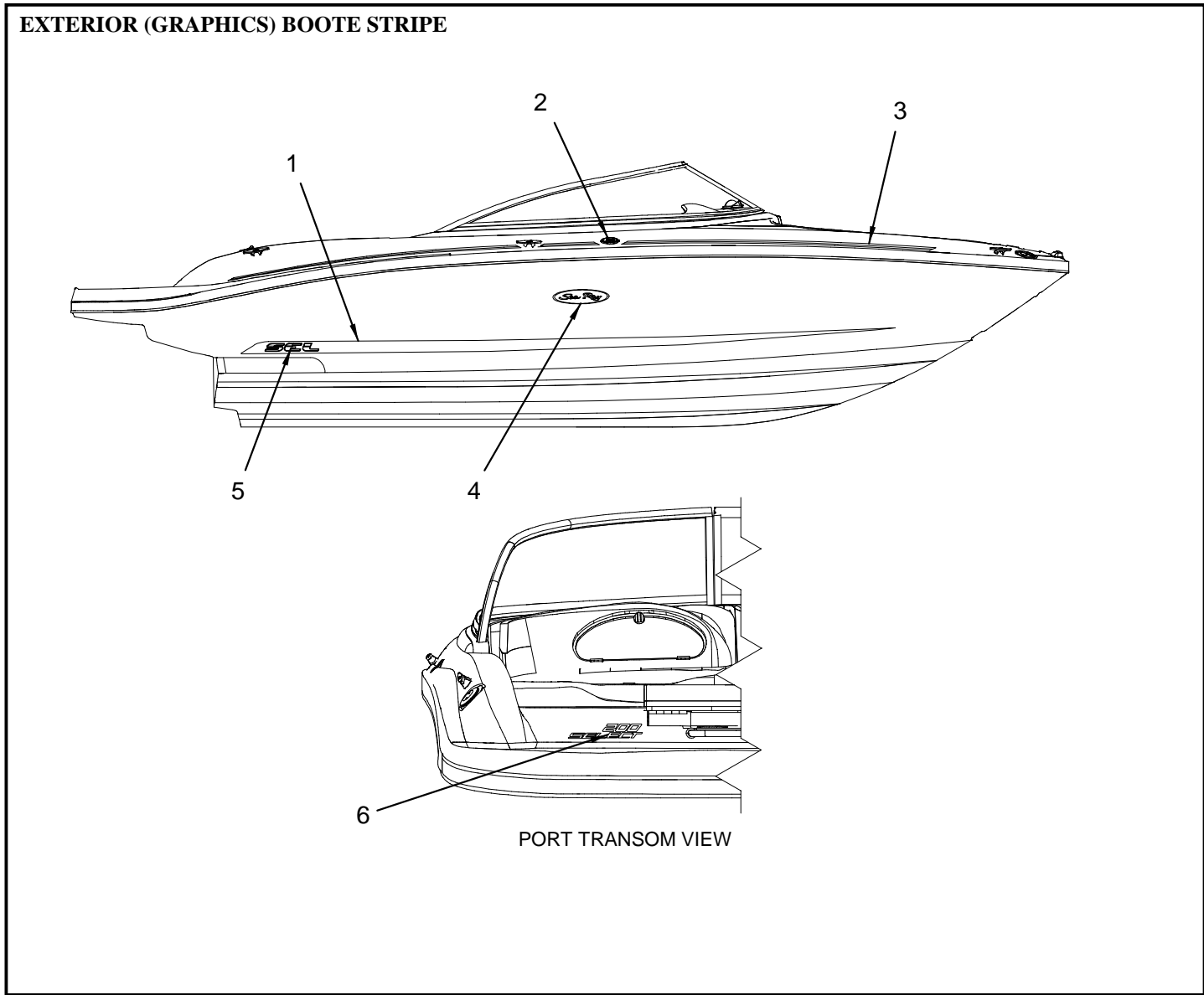
- 1 1805069 TAPE, 200SEL-06 STB HULL
(PART OF 1805072)
- 1805066 TAPE, 200SEL-06 PRT HULL
(PART OF 1805072)
- 2 507533 EMBLEM, OVAL 200 CHROME
- 3 1805243 TAPE, M/S 1/2" W/1/8" VOID BLK/ SLVR #064
- 4 1805218 TAPE, M/S 3/4" REGLANT/BLK
- 5 1443183 EMBLEM, "SEA RAY" SCRIPT HULL LOGO CHR 13"
- 6 1752669 EMBLEM, MODEL DESG 200SEL TRNSM URTHN BLK/CHR
(PART OF 1805072)

GRAPHICS KIT

- 1805072 GRAPHICS KIT, 200SEL-06 TRADITIONAL SELECT
(NOTE: KIT DOES NOT CONTAIN M/S TAPES OR EMBLEMS)

NOT SHOWN

- 1210558 TAPE, SOLID 1/4" PEARL GEL
(NOTE: 150 FOOT ROLL OF TAPE)
(USED TO SEPERATE TO COLORS OF GEL)
- 1847754 TAPE, SOLID 1/4" PEARL GEL
(NOTE: 75 FOOT ROLL OF TAPE)
- 1690443 TAPE, SOLID 3/8" PRL
(NOTE: 150 FOOT ROLL OF TAPE) (TWO TONE GELCOAT)
- 1847805 TAPE, SOLID 3/8" PRL
(NOTE: 75 FOOT ROLL OF TAPE) (TWO TONE GELCOAT)



EXTERIOR (GRAPHICS) BOOTE STRIPE

- 1 1805254 TAPE, 200SEL-06 STB TAPER BLK (PEARL / RED AND PEARL / PEWTER) (WITH OR WITHOUT TWO TONE GELCOAT) (PART OF 1805074)
- 1805253 TAPE, 200SEL-06 PRT TAPER BLK (PEARL / RED AND PEARL / PEWTER) (WITH OR WITHOUT TWO TONE GELCOAT) (PART OF 1805074)
- 1805256 TAPE, 200SEL-06 STB TAPER GUNGRY (PEARL / BLUE AND PEARL / BLACK) (TWO TONE GELCOAT) (PART OF 1806719)
- 1805255 TAPE, 200SEL-06 PRT TAPER GUNGRY (PEARL / BLUE AND PEARL / BLACK) (TWO TONE GELCOAT) (PART OF 1806719)
- 2 507533 EMBLEM, OVAL 200 CHROME
- 3 1805243 TAPE, M/S 1/2" W/1/8" VOID BLK/ SLVR #064
- 4 1443183 EMBLEM, "SEA RAY" SCRIPT HULL LOGO CHR 13"
- 5 1805260 EMBLEM, MODEL DESG SEL (PART OF 1805074 AND 1806719) ("SEL" ONLY)
- 6 1752669 EMBLEM, MODEL DESG 200SEL TRNSM URTHN BLK/CHR (PART OF 1805074 AND 1806719)

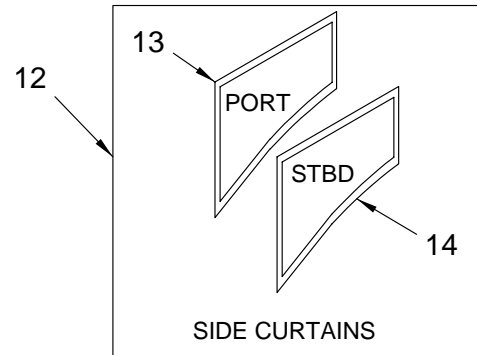
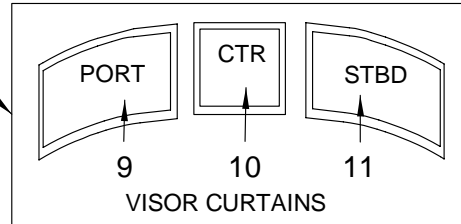
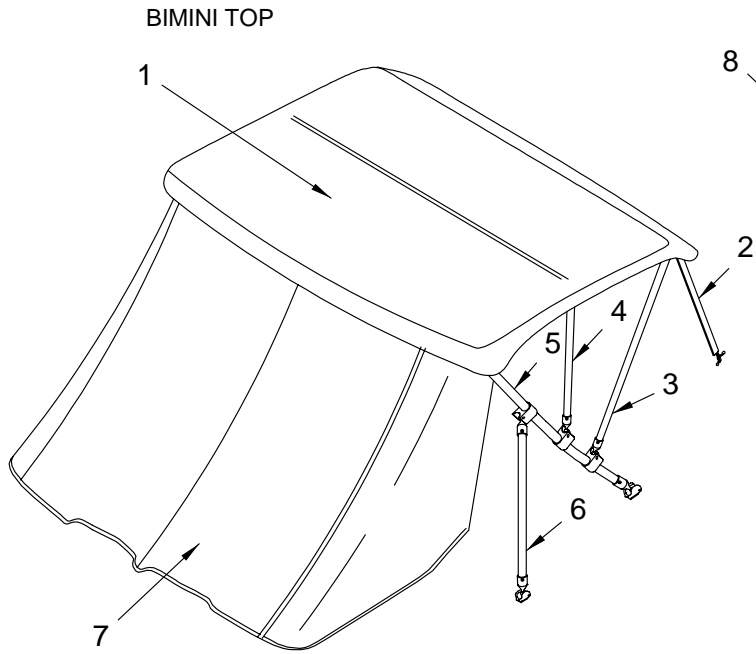
GRAPHICS KIT

- 1805074 GRAPHICS KIT, 200SEL-06 TAPER BLK (PEARL / RED AND PEARL / PEWTER) (WITH OR WITHOUT TWO TONE GELCOAT) (NOTE: KIT DOES NOT CONTAIN M/S TAPES OR EMBLEMS)
- 1806719 GRAPHICS KIT, 200SEL-06 TAPER GUNGRY (PEARL / BLUE AND PEARL / BLACK) (TWO TONE GELCOAT) (NOTE: KIT DOES NOT CONTAIN M/S TAPES OR EMBLEMS)

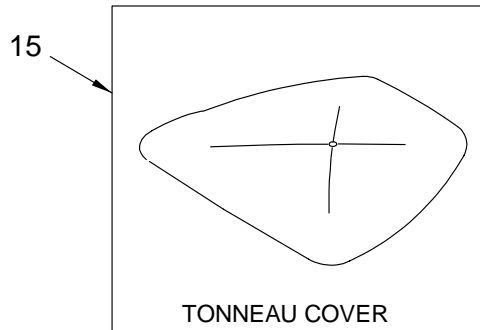
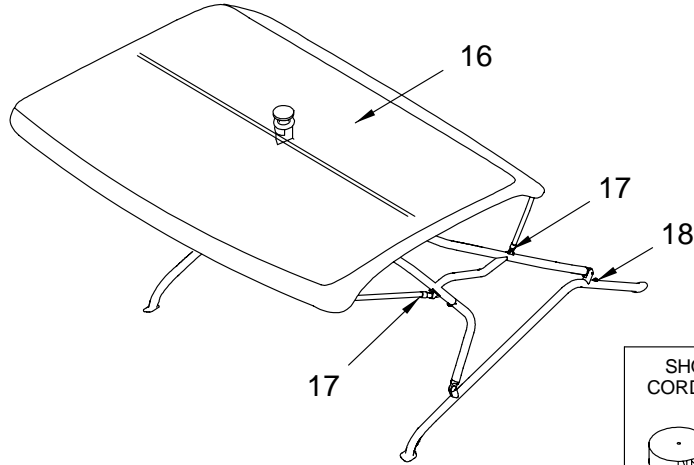
NOT SHOWN

- 1210558 TAPE, SOLID 1/4" PEARL GEL (NOTE: 150 FOOT ROLL OF TAPE) (USED TO SEPERATE TO COLORS OF GEL)
- 1847754 TAPE, SOLID 1/4" PEARL GEL (NOTE: 75 FOOT ROLL OF TAPE)
- 1690443 TAPE, SOLID 3/8" PRL (NOTE: 150 FOOT ROLL OF TAPE) (TWO TONE GELCOAT)
- 1847805 TAPE, SOLID 3/8" PRL (NOTE: 75 FOOT ROLL OF TAPE) (TWO TONE GELCOAT)

CANVAS (BLACK)



BIMINI TOP WITH SPORTS TOWER



CANVAS HARDWARE				SHOCK CORD CLIP	FENDER HOOK	PLASTIC PULL TAB	SLIDE
17	18	19	20	25	26	27	28
	22	23	24				

CANVAS (BLACK)

- 1 1819792 CANVAS, 200/220SEL-06 BIM TOP BLK PH2
- 1759661 CANVAS, 200/220BR-04 BIM TOP BOOT W/EMB BLK
- 1761124 CANVAS, 200/220BR-04 BIM TOP FAB BLK
- 2 1761115 CANVAS, 200/220BR-04 BIM TOP FWD STCHN/STRAP
- 3 1761112 CANVAS, 200/220BR-04 BIM TOP BOW2 W/HDWR
- 4 1761113 CANVAS, 200/220BR-04 BIM TOP BOW3 W/HDWR
- 5 1761101 CANVAS, 200/220BR-04 BIM TOP MAIN BOW W/HDWR
- 1761100 CANVAS, 200/220BR-04 BIM TOP BOWS W/HDWR
- 1761114 CANVAS, 200/220BR-04 BIM TOP HDWR MNT PKG
- 6 1761116 CANVAS, 200/220BR-04 BIM TOP REAR STANCH/STRP
- 7 1806058 CANVAS, 200SEL-06 BIMINI AFT CURT BLK
- 1806064 CANVAS, 200SEL-06 FULL/SNPD BIM AFT CURT BLK
- 8 1780174 CANVAS, 200/220SEL-05 VSR CURT 3PC CLR/BLK
- 9 1788625 CANVAS, 200/220SEL-05 VSR CURT PRT CLR/BLK
- 10 1788623 CANVAS, 200/220SEL-05 VSR CURT CTR CLR/BLK
- 11 1788624 CANVAS, 200/220SEL-05 VSR CURT STB CLR/BLK
- 12 1780171 CANVAS, 200/220SEL-05 SID CURT SET W/SNP BLK
- 13 1788621 CANVAS, 200/220SEL-05 SIDE CURT PRT BLK
- 14 1788622 CANVAS, 200/220SEL-05 SIDE CURT STB BLK
- 15 1804950 CANVAS, 200SEL-06 TONNEAU CVR BLK
- 1811351 POLE, TONNEAU/CKPT CVR SUPPORT ADJ
- 16 1848892 CANVAS, 200/220SEL-07 BIM TOP W/TWR N/ZIP BLK
- 1848923 CANVAS, 200/220SEL BIM TOP BOOT W/TWR BLK-S
- 1745201 CANVAS, 200/220/230-02 BIM TOP W/TWR FAB BLK
- 1761118 CANVAS, 200/220BR-04 BIM TOP W/TWR BOWS W/HWR
- 17 1747324 MOUNT, WATER SPORTS TWR BIM TOP MNT
- 1747327 RIVET, WATER SPORTS TWR LRG BIM MNT
- 18 148031 EYE, STRAP EYE TIE-DOWN
- 1747325 EYE, STRAP EYE TIE-DOWN WTR SPRTS TWR
- 1747328 RIVET, WATER SPORTS TWR MED STRAP EYE
- 19 1760354 CAP, SS EYE END BALL/SOCKET TYPE
- 20 1760355 SLIDE, JAW SLIDE BALL/SOCKET TYPE SS
- 1760596 SCREW, SLOT PAN BALL/SOCKET JAW SLIDE
(REPLACEMENT SCREW FOR 1760355)
- 21 1760358 INSERT, DECK HINGE BALL/SOCKET BLK
- 22 1760595 PIN, PULL BALL/SOCKET TYPE W/RING LNYRD BLK
- 23 1760357 HINGE, DECK RADIUS BALL/SOCKET TYPE SS
- 24 1760356 HINGE, DECK FLAT BALL/SOCKET TYPE SS
- 25 1761645 KNOB, SHOCKCORD LACING
- 1778676 CLIP, SHOCKCORD/CVR WHT W/ELAS 04
(PART OF 1761645)
- 26 1838337 HOOK, FENDER
- 27 1778677 CLIP, WHT PLAS TAB W/CORD
- 28 1536051 SLIDE, W/S CANVAS TRACK PORT
- 1536069 SLIDE, W/S CANVAS TRACK STBD
- 1738744 KNOB, W/S CANVAS TRACK PRT & STB
(PART OF 1536051 & 1536069)

COCKPIT COVER

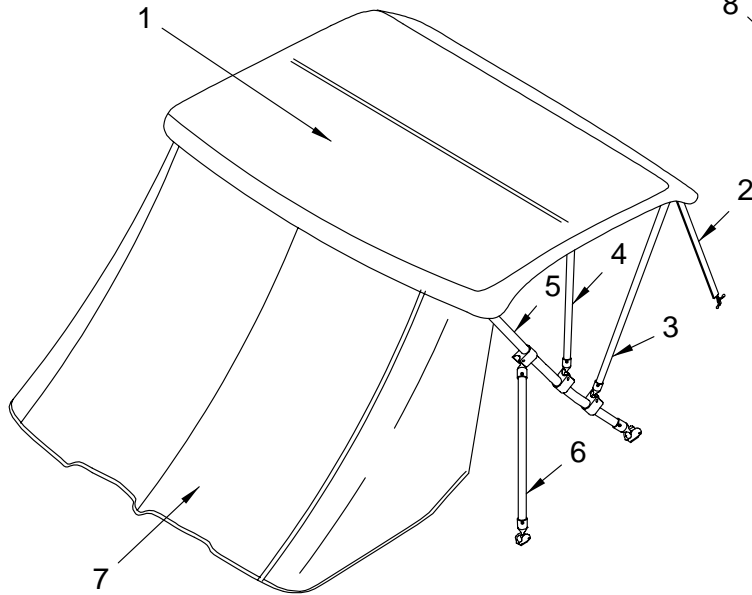
- 1804956 CANVAS, 200SEL-06 BIM CPC N/SNPS BLK
- 1804953 CANVAS, 200SEL-06 CPC N/CUTOUTS W/SNPS BLK
- 1804966 CANVAS, 200SEL-06 BIM CPC SNPD N/SNPS BLK
- 1804962 CANVAS, 200SEL-06 CPC N/CUTOUTS SNPD BLK
- 1804972 CANVAS, 200SEL-06 CPC W/TWR BLK
- 1804975 CANVAS, 200SEL-06 CPC W/TWR SNPD BLK
- 1804959 CANVAS, 200SEL-06 BIM CPC W/SNPS BLK
- 1804969 CANVAS, 200SEL-06 BIM CPC SNPD W/SNPS BLK
- 1811351 POLE, TONNEAU/CKPT CVR SUPPORT ADJ

NOT SHOWN

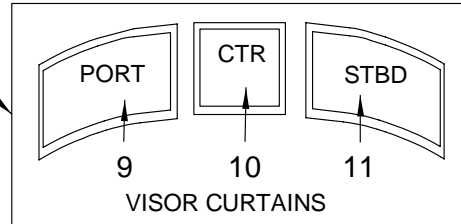
- 878652 CANVAS, SPBOAT STRG BAG 10X70 XLRG GREY 97
- 1092162 CANVAS, STRG BAG 12X38 CLOUDBRST TONNEAU/CKPT

CANVAS (RED)

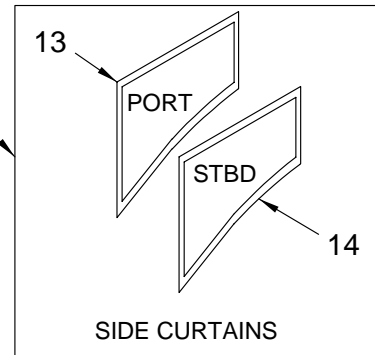
BIMINI TOP



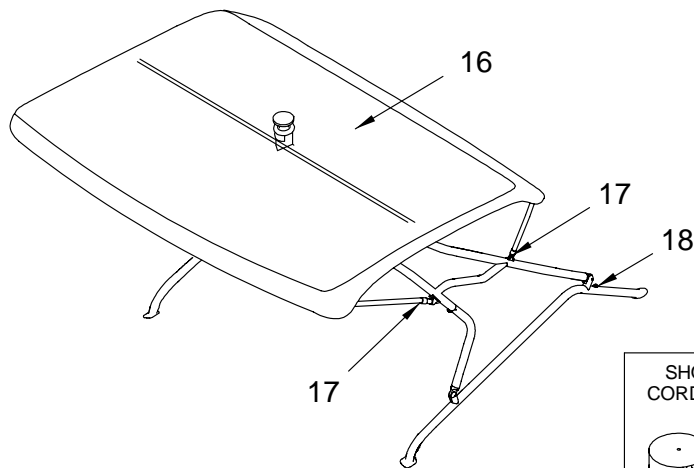
8



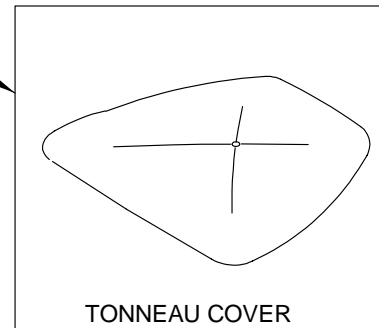
12



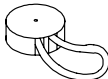



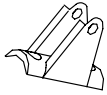




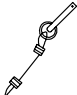


BIMINI TOP WITH SPORTS TOWER



15



CANVAS HARDWARE

				SHOCK CORD CLIP  25	FENDER HOOK  26	PLASTIC PULL TAB  27	SLIDE  28
TOP MOUNT  17	STRAP EYE  18	END CAP  19	JAW SLIDE  20	INSERT  21	PULL PIN  22	RADIUS HINGE  23	FLAT HINGE  24

CANVAS (RED)

- 1 1819794 CANVAS, 200/220SEL-06 BIM TOP RED PH2
- 1751915 CANVAS, 200/220BR-04 BIM TOP BOOT W/EMB RED
- 1751947 CANVAS, 200/220BR-04 BIM TOP FAB RED
- 2 1761115 CANVAS, 200/220BR-04 BIM TOP FWD STCHN/STRAP
- 3 1761112 CANVAS, 200/220BR-04 BIM TOP BOW2 W/HDWR
- 4 1761113 CANVAS, 200/220BR-04 BIM TOP BOW3 W/HDWR
- 5 1761101 CANVAS, 200/220BR-04 BIM TOP MAIN BOW W/HDWR
- 1761100 CANVAS, 200/220BR-04 BIM TOP BOWS W/HDWR
- 1761114 CANVAS, 200/220BR-04 BIM TOP HDWR MNT PKG
- 6 1761116 CANVAS, 200/220BR-04 BIM TOP REAR STANCH/STRP
- 7 1806074 CANVAS, 200SEL-06 AFT CURT RED
- 1804979 CANVAS 200SEL-06 BIM AFT CURT FULL/SNPD RED
- 8 1780175 CANVAS, 200/220SEL-05 VSR CURT 3PC CLR/RED
- 9 1788633 CANVAS, 200/220SEL-05 VSR CURT PRT CLR/RED
- 10 1788634 CANVAS, 200/220SEL-05 VSR CURT CTR CLR/RED
- 11 1788640 CANVAS, 200/220SEL-05 VSR CURT STB CLR/RED
- 12 1780172 CANVAS, 200/220SEL-05 SID CURT SET W/SNP RED
- 13 1788631 CANVAS, 200/220SEL-05 SIDE CURT PRT RED
- 14 1788632 CANVAS, 200/220SEL-05 SIDE CURT STB RED
- 15 1804951 CANVAS, 200SEL-06 TONNEAU CVR RED
- 1811351 POLE, TONNEAU/CKPT CVR SUPPORT ADJ
- 16 1848891 CANVAS, 200/220SEL-07 BIM TOP W/TWR N/ZIP RED
- 1848922 CANVAS, 200/220SEL BIM TOP BOOT W/TWR RED
- 1751948 CANVAS, 200/220BR-04 BIM TOP W/TWR FAB RED
- 1761118 CANVAS, 200/220BR-04 BIM TOP W/TWR BOWS W/HWR
- 17 1747324 MOUNT, WATER SPORTS TWR BIM TOP MNT
- 1747327 RIVET, WATER SPORTS TWR LRG BIM MNT
- 18 148031 EYE, STRAP EYE TIE-DOWN
- 1747325 EYE, STRAP EYE TIE-DOWN WTR SPRTS TWR
- 1747328 RIVET, WATER SPORTS TWR MED STRAP EYE
- 19 1760354 CAP, SS EYE END BALL/SOCKET TYPE
- 20 1760355 SLIDE, JAW SLIDE BALL/SOCKET TYPE SS
- 1760596 SCREW, SLOT PAN BALL/SOCKET JAW SLIDE
(REPLACEMENT SCREW FOR 1760355)
- 21 1760358 INSERT, DECK HINGE BALL/SOCKET BLK
- 22 1760595 PIN, PULL BALL/SOCKET TYPE W/RING LNYRD BLK
- 23 1760357 HINGE, DECK RADIUS BALL/SOCKET TYPE SS
- 24 1760356 HINGE, DECK FLAT BALL/SOCKET TYPE SS
- 25 1761645 KNOB, SHOCKCORD LACING
- 1778676 CLIP, SHOCKCORD/CVR WHT W/ELAS 04
(PART OF 1761645)
- 26 1838337 HOOK, FENDER
- 27 1778677 CLIP, WHT PLAS TAB W/CORD
- 28 1536051 SLIDE, W/S CANVAS TRACK PORT
- 1536069 SLIDE, W/S CANVAS TRACK STBD
- 1738744 KNOB, W/S CANVAS TRACK PRT & STB
(PART OF 1536051 & 1536069)

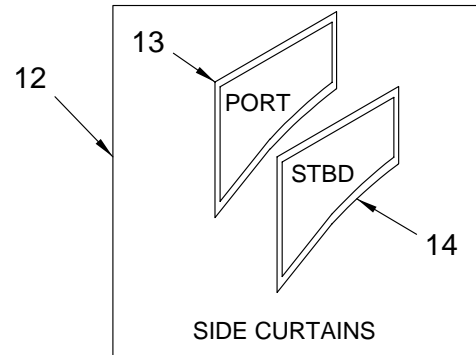
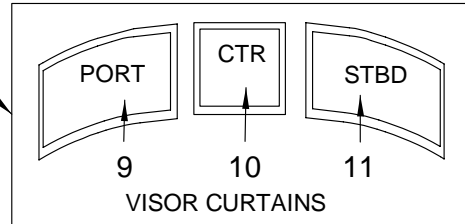
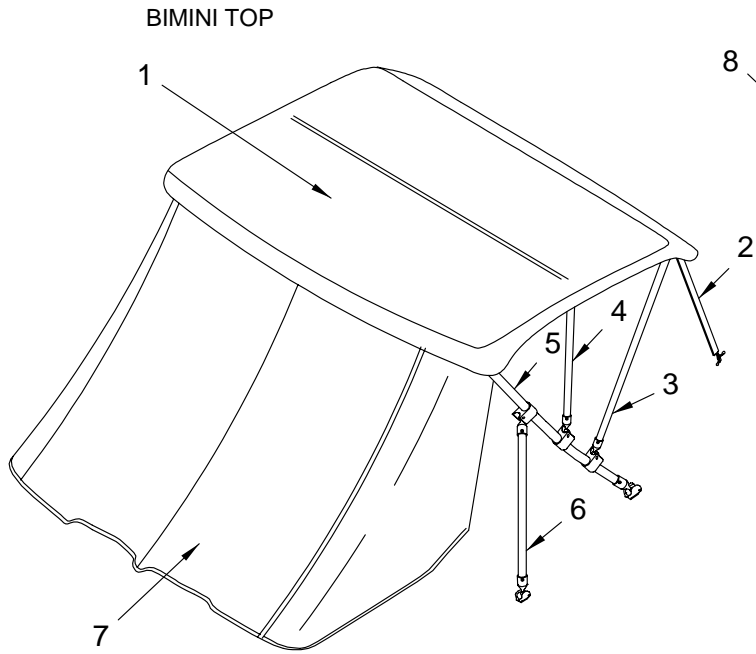
COCKPIT COVER

- 1804957 CANVAS, 200SEL-06 BIM CPC N/SNPS RED
- 1804954 CANVAS, 200SEL-06 CPC N/CUTOUTS W/SNPS RED
- 1804967 CANVAS, 200SEL-06 BIM CPC SNPD N/SNPS RED
- 1804963 CANVAS, 200SEL-06 CPC N/CUTOUTS SNPD RED
- 1804973 CANVAS, 200SEL-06 CPC W/TWR RED
- 1804976 CANVAS, 200SEL-06 CPC W/TWR SNPD RED
- 1804960 CANVAS, 200SEL-06 BIM CPC W/SNPS RED
- 1804970 CANVAS, 200SEL-06 BIM CPC SNPD W/SNPS RED
- 1811351 POLE, TONNEAU/CKPT CVR SUPPORT ADJ

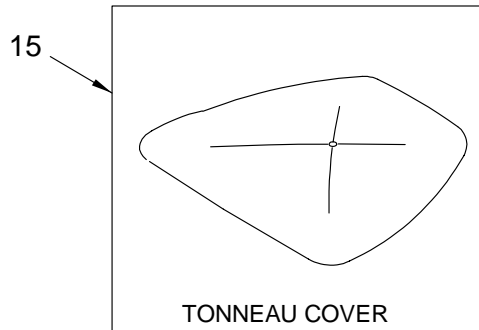
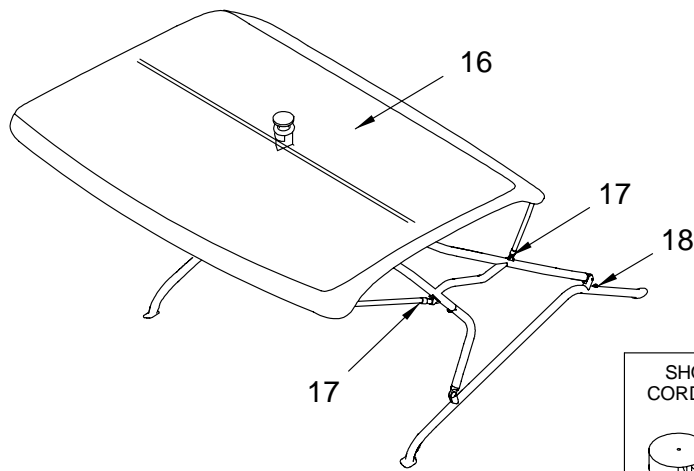
NOT SHOWN

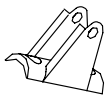



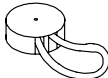

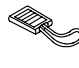
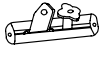

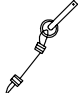



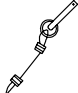


- 878652 CANVAS, SPBOAT STRG BAG 10X70 XLRG GREY 97
- 1092162 CANVAS, STRG BAG 12X38 CLOUDBRST TONNEAU/CKPT

CANVAS (BLUE)



BIMINI TOP WITH SPORTS TOWER



CANVAS HARDWARE				SHOCK CORD CLIP	FENDER HOOK	PLASTIC PULL TAB	SLIDE
							
17	18	19	20	25	26	27	28
							
				21	22	23	24

CANVAS (BLUE)

1	1819795	CANVAS, 200/220SEL-06 BIM TOP MEDB PH2
	1838360	CANVAS, 200/220SEL-06 BIM TOP FAB MEDB PH2
	1818049	CANVAS, 200/220SEL-05 BIM TOP BOOT MEDB
2	1761115	CANVAS, 200/220BR-04 BIM TOP FWD STCHN/STRAP
3	1761112	CANVAS, 200/220BR-04 BIM TOP BOW2 W/HDWR
4	1761113	CANVAS, 200/220BR-04 BIM TOP BOW3 W/HDWR
5	1761101	CANVAS, 200/220BR-04 BIM TOP MAIN BOW W/HDWR
	1761100	CANVAS, 200/220BR-04 BIM TOP BOWS W/HDWR
	1761114	CANVAS, 200/220BR-04 BIM TOP HDWR MNT PKG
6	1761116	CANVAS, 200/220BR-04 BIM TOP REAR STANCH/STRP
7	1818063	CANVAS, 200SEL-06 AFT CURT W/SNPS MEDB
	1818055	CANVAS, 200SEL-06 AFT CURT FULL/SNPD MEDB
8	1818053	CANVAS, 200/220SEL-05 VSR CURT 3PC CLR/MEDB
9	1838361	CANVAS, 200/220SEL-05 VSR CURT PRT CLR/MEDB
10	1838362	CANVAS, 200/220SEL-05 VSR CURT CTR CLR/MEDB
11	1838363	CANVAS, 200/220SEL-05 VSR CURT STB CLR/MEDB
12	1818052	CANVAS, 200/220SEL-05 SID CURT SET W/SNP MEDB
13	1838364	CANVAS, 200/220SEL-05 SID CURT PRT W/SNP MEDB
14	1838365	CANVAS, 200/220SEL-05 SID CURT STB W/SNP MEDB
15	1818050	CANVAS, 200SEL-06 TONNEAU CVR MEDB
	1811351	POLE, TONNEAU/CKPT CVR SUPPORT ADJ
16	1848893	CANVAS, 200/220SEL-07 BIM TOP W/TWR N/ZIP MED
	1848924	CANVAS, 200/220SEL BIM TOP BOOT W/TWR MEDB-T
	1838351	CANVAS, 200BR-05 BIM TOP W/TWR FAB MEDB
	1761118	CANVAS, 200/220BR-04 BIM TOP W/TWR BOWS W/HWR
17	1747324	MOUNT, WATER SPORTS TWR BIM TOP MNT
	1747327	RIVET, WATER SPORTS TWR LRG BIM MNT
18	148031	EYE, STRAP EYE TIE-DOWN
	1747325	EYE, STRAP EYE TIE-DOWN WTR SPRTS TWR
	1747328	RIVET, WATER SPORTS TWR MED STRAP EYE
19	1760354	CAP, SS EYE END BALL/SOCKET TYPE
20	1760355	SLIDE, JAW SLIDE BALL/SOCKET TYPE SS
	1760596	SCREW, SLOT PAN BALL/SOCKET JAW SLIDE (REPLACEMENT SCREW FOR 1760355)
21	1760358	INSERT, DECK HINGE BALL/SOCKET BLK
22	1760595	PIN, PULL BALL/SOCKET TYPE W/RING LNYRD BLK
23	1760357	HINGE, DECK RADIUS BALL/SOCKET TYPE SS
24	1760356	HINGE, DECK FLAT BALL/SOCKET TYPE SS
25	1761645	KNOB, SHOCKCORD LACING
	1778676	CLIP, SHOCKCORD/CVR WHT W/ELAS 04 (PART OF 1761645)
26	1838337	HOOK, FENDER
27	1778677	CLIP, WHT PLAS TAB W/CORD
28	1536051	SLIDE, W/S CANVAS TRACK PORT
	1536069	SLIDE, W/S CANVAS TRACK STBD
	1738744	KNOB, W/S CANVAS TRACK PRT & STB (PART OF 1536051 & 1536069)

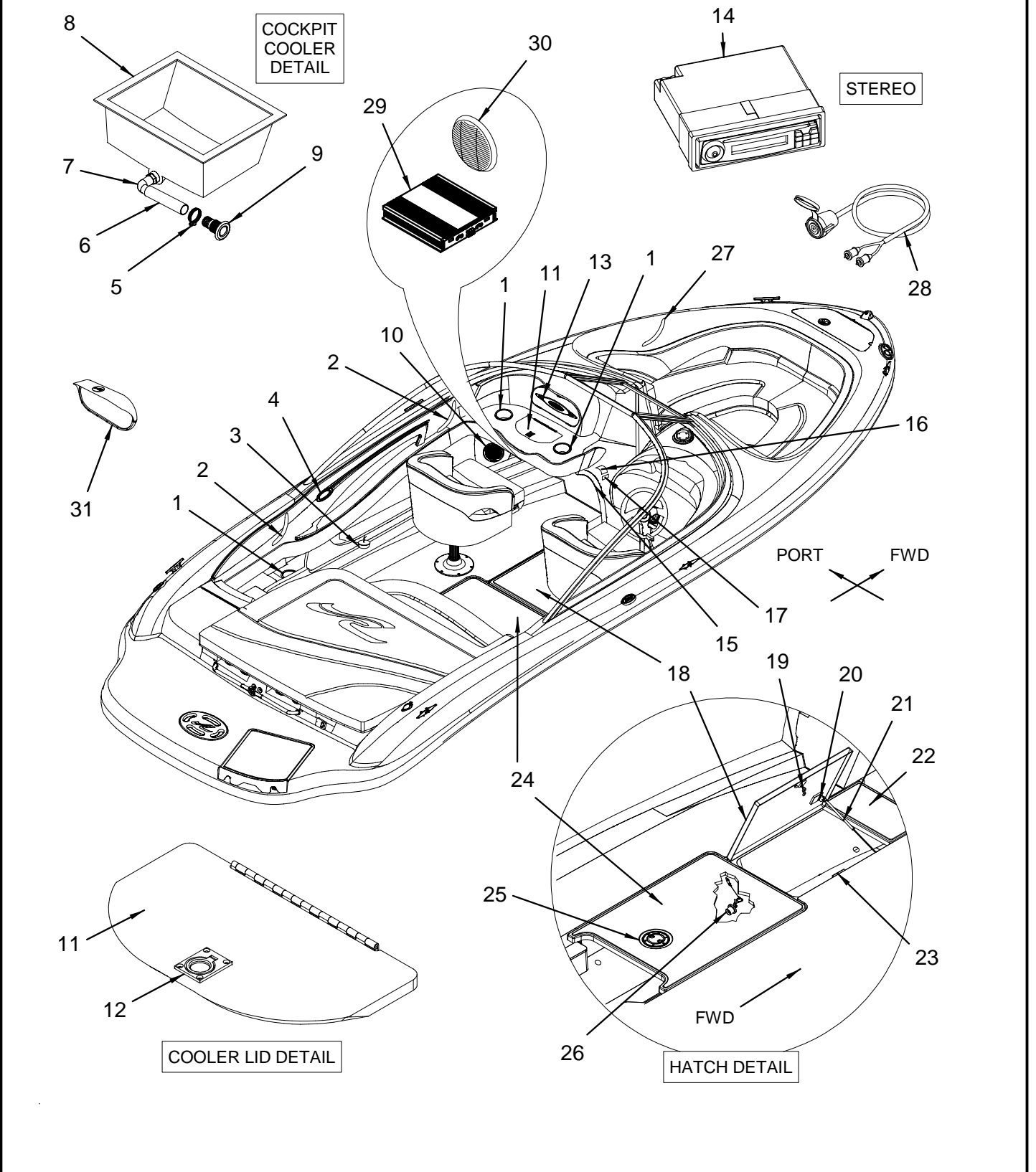
COCKPIT COVER

1818062	CANVAS, 200SEL-06 BIM CPC N/SNPS MEDB
1818060	CANVAS, 200SEL-06 CPC N/CUTOOTS W/SNPS MEDB
1818054	CANVAS, 200SEL-06 BIM CPC SNPD N/SNPS MEDB
1818051	CANVAS, 200SEL-06 CPC N/CUTOOTS SNPD MEDB
1818064	CANVAS, 200SEL-06 CPC W/TWR MEDB
1818059	CANVAS, 200SEL-06 CPC W/TWR SNPD MEDB
1818061	CANVAS, 200SEL-06 BIM CPC W/SNPS MEDB
1818058	CANVAS, 200SEL-06 BIM CPC SNPD W/SNPS MEDB
1811351	POLE, TONNEAU/CKPT CVR SUPPORT ADJ

NOT SHOWN

878652	CANVAS, SPBOAT STRG BAG 10X70 XLRG GREY 97
1092162	CANVAS, STRG BAG 12X38 CLOUDBRST TONNEAU/CKPT

COCKPIT (FORWARD PORT VIEW)



COCKPIT (FORWARD PORT VIEW)

1	1812917	HOLDER, DRINK SS 4" X 3" MUG SZ PLSHD RIM
2	1780393	RAIL, GRAB 8.5" 316L SS W/GASKET
3	1771003	LIGHT, COURTESY RND W/FRST LENS 12V/5W W/CONN
	1192368	BULB, REPL FOR #0840868 12V/5W (PART OF 1771003)
4	507533	EMBLEM, OVAL 200 CHROME
	1758244	INSERT, METCH 200/220BR-04 CKPT UPR S/PNL PRT
5	123398	CLAMP, HOSE #06M 5/16"-7/8" SS MINI
	123661	CLAMP, LOOM VINYL DIP 1"
6	124370	HOSE, PVC CLEAR 5/8"
7	167874	ELBOW, GENOVA 1/2"MPT X 1/2"BARB X 90DEG
8	868307	COOLER, 190/210BR/CB PORT DASH 97
	156224	PLUG, DRAIN PLUG SNAPTITE 7/8"
	1853249	200SEL 07,BOARD,COOLER SUPPORT
9	1778933	THRU-HULL, SS 5/8"BARB SHORT W/RBR GASKET
	1830768	GASKET, SILICONE 70 DUR 1/16" X 1.151 X 1.585 (REPLACED SILICONE CAULK ON SS THRU-HULLS ONLY)
10	1806420	SPEAKER, PANASONIC TWEET/MID/HRNS KIT BLK/CHR (NOTE:SPEAKER KIT CONTAINS TWEETER & MIDRANGE SPEAKER)
11	1754982	LID, HDPE SPBOATS-04 DASH COOLER PRT NCKL
	1852078	HINGE, SPBOATS-04 DASH COOLER LID (PART OF 1754982)
	1852079	LATCH, SPBOATS-04 DASH COOLER LID (PART OF 1754982)
	790436	T-MOLD, VINYL INSERT 9/16" ALMOND (PORT DASH INSIDE COOLER TRIM EDGE)
12	174557	LIFT RING, FLUSH CHR/ZINC 1.75" X 1 3/8"
13	1758253	GLOVEBOX, ASSY 200/220BR-04 NKL/PWTVSR/MET CH
	1757725	GLOVEBOX, DOOR 200/220/240-04 MET CHERRY (PART OF 1758253)
	1382282	LATCH, GLOVEBOX 190/210 (PART OF 1758253)
	129189	ANGLE, ALUM 1/8" X 1.5" X 1.5" X 16" (USED TO SECURE GLOVEBOX)
14	1854318	STEREO, AM/FM CD/CHNGR/SIR/XM SAT CMD4A (HULL# 3111 -> UP)
	1803464	STEREO, AM/FM CD W/CHNGR/SIR SAT PLAYER CMD4 (HULL# 3001 -> 3110)
	1581560	ANTENNA, AMPLIFIED 13398
	1733835	STEREO, CD CHANGER 6-DISC DCZ625 C-NET (CD CHANGER, 6 DISC)
	1122357	STEREO, CD (6 DISC) MAGAZINE CLARION (CD CHANGER, 6 DISC)
15	1156348	TRIM, EDGE PRL MOTOR BOX LARGE
16	1745122	LABEL, DANGER/WARNING COMBO CNTRL STA
17	1629039	PLATE, NMMA 02-200BR
	1629104	PLATE, CE OPT C:200BR/7PERSON/545KG (C E OPTION GROUP)
	1741212	LABEL, STICKER 200BR CANADIAN CONFORMITY (CANADIAN CONFORMITY STICKER)
18	1853226	200SEL 07,HATCH,SKI FBRGLS
	1333186	HINGE, SS CONT 2" X 30" 240SD-00 SKI STRG
19	1833710	LATCH, COMPRESSION 2.5" LOCKING SS
	1880051	KEY, LATCH COMPRESSION 2.5" LOCKING SS (PART OF 1833710)
	1781448	PLATE, SHALLOW BRKT 2.5"W/HDWR PKG SS
	1781463	CATCH, PAWL 2.5"OFFSET MEDIUM SS
20	732792	BRACKET, SS GAS CYL 90DEG 2.062" W/STUD (LOCATED ON HATCH)
	634550	BRACKET, SS GAS CYL 90DEG L-BRKT W/BALL LONG (LOCATED ON DECK)
21	826305	CYLINDER, GAS 40PSI 20"EXT X 12"COMP
22	1853225	200SEL 07,HATCH,FWD CKPT FBRGLS
23	1797939	CLEAT, PLAS 3/4" X 1" X 4" WHITE
24	1853224	200SEL 07,HATCH,FUEL TANK FBRGLS
25	1155993	ACCESS PLATE, POLYPROP W/O-RING 4" PEARL
26	156224	PLUG, DRAIN PLUG SNAPTITE 7/8"
	418632	LANYARD, W/TAB/RING
	130351	PIPE, PVC SCH 20 BOE PIPE 3/4" X 20'
27	1794992	RAIL, GRAB 8.5" 316L SS W/SHORT 7/8" STUDS
	1831196	GASKET, SILICONE 70 DUR 1/32" X.27 X 1.13 (REPLACED SILICONE CAULK)
28	1850253	VIDEO EQUIPMENT, AUXILIARY INPUT MP3 MA-AUX2 (HULL# 3007 -> UP)
	1803674	VIDEO EQUIPMENT, AUXILIARY INPUT MP3 (LOCATED IN GLOVEBOX BY STEREO) (HULL# 3001 -> 3006)
	1807866	STEREO, AMP PANASONIC 400W 4CHNL (PREMIER STEREO UPGRADE)
	1804925	HARNES, 200/220SEL-06 STEREO AMP UPGRADE (PREMIER STEREO UPGRADE)
30	1773440	SPEAKER, 10" SUBWOOFER ACOM N/CVR (PREMIER STEREO UPGRADE)

30	1773444	GRILL, SPEAKER SUBWOOFER 10" ACOM BLK (PREMIER STEREO UPGRADE)
	1750880	CABLE, RCA AUDIO 6' W/EFX-2 CONN W/NOISE SUPP (PREMIER STEREO UPGRADE)
31	1888287	MIRROR, SKI SS W/S MOUNT W/EXTENDED MOTION (MIRROR, SKI TOW) (MIRROR IS SHIP LOOSE IN BOAT)

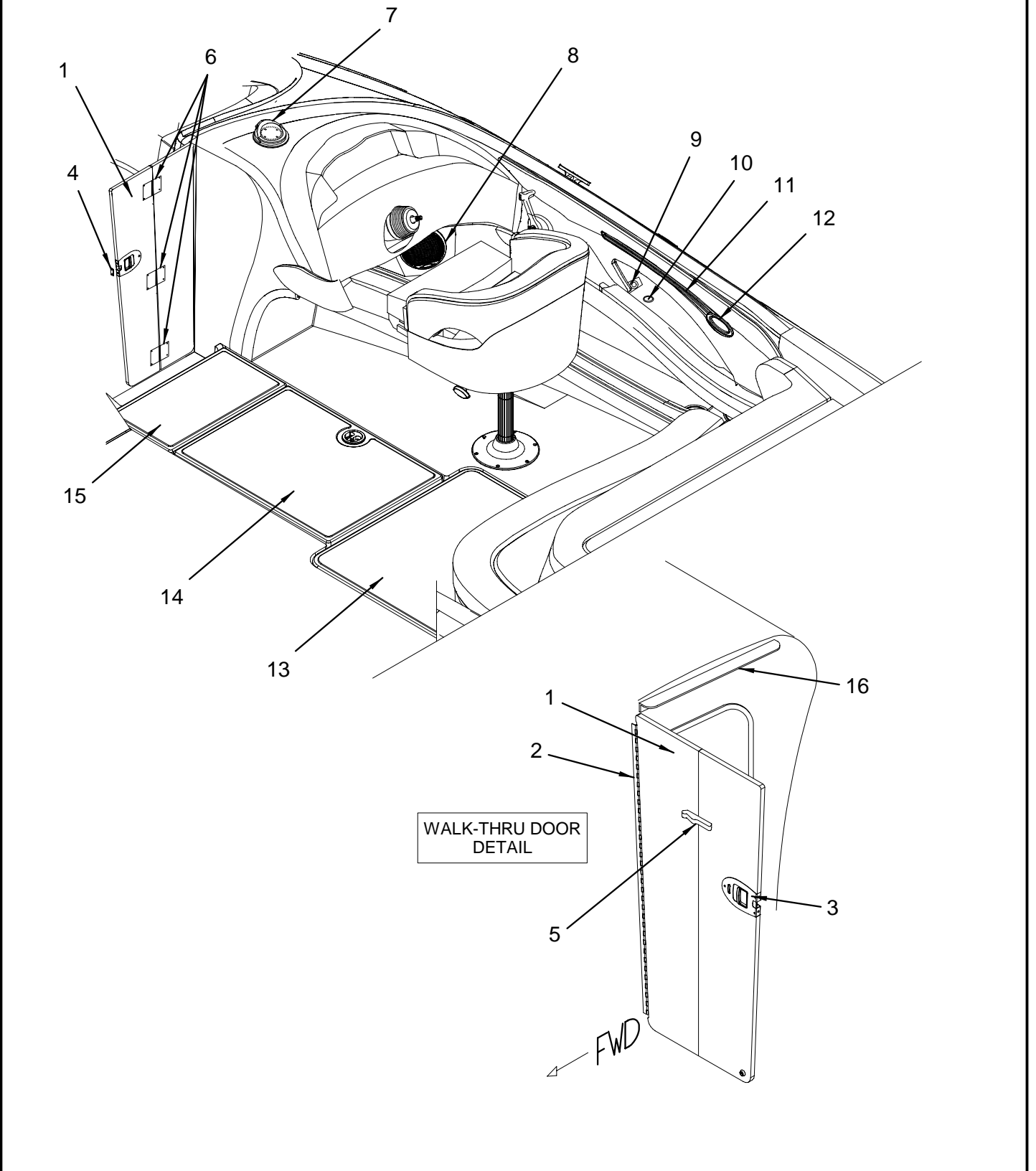
HARNESSES

1803706	HARNES, STEREO ADAPTOR CMD4 W/PACKARD CONN
---------	--

LABELS

1747505	LABEL, INFO REPL PROD/BROCH/DLRLOC/ETC
1808431	DECAL, SIRIUS ACTIVATION ORNG/BLUE 6 MONTH

COCKPIT (FORWARD STARBOARD VIEW)



COCKPIT (FORWARD STARBOARD VIEW)

- 1 1753962 DOOR, PLEX 200BR-04 BOW WALK-THRU PRL
(SEE 2,3,4,5,6 FOR PARTS OF PART)
- 663708 BUMPER, CLEAR .020" THICK
(LOCATED ON DOOR)
- 1656511 BUMPER, BLACK ROUND RBR W/WSHR
(LOCATED ON PORT WALK-THRU PANEL)
- 2 1798059 HINGE, SS 33 1/2" X 1 1/4" OFFSET PIANO
(PART OF 1753962)
- 3 1611490 LATCH, #7756 OMNI FLAT 1/2" N/ LCK
(PART OF 1753962)
- 4 1612357 PLATE, STRIKER MOBELLA OMNI 3/4" & 1/2" BRS
(PART OF 1753962)
- 1754047 SHIM, HDPE 7/16" X 1.25" X 3/16" PRL
- 5 1285907 LATCH, DRAW SOFT-LATCH 4" CONCEALED BLK
(PART OF 1753962)
- 6 1747154 HINGE, ORCAS SS 4/HOLE
(PART OF 1753962)
- 7 1791006 COMPASS, FLSHMT 3 7/8" BLK WT HSE/BLU LT W/CON
(COMPASS)
- 1780993 BULB, COMPASS REPL (1617638)
(PART OF 1791006)
- 8 1806420 SPEAKER, PANASONIC TWEET/MID/HRNS KIT BLK/CHR
(NOTE: SPEAKER KIT CONTAINS TWEETER & MIDRANGE
SPEAKER)
- 9 1287283 RECEPTACLE, FEMALE 12V LONG THRD BLK
- 1259977 PLATE, FEMALE 12V RECEPTACLE MNT
- 1744738 LABEL, RECEPTACLE 12V-15A MAX (LEXAN)
- 10 1812917 HOLDER, DRINK SS 4" X 3" MUG SZ PLSHD RIM
- 11 1758245 INSERT, METCH 200/220BR-04 CKPT UPR S/PNL STB
- 12 507533 EMBLEM, OVAL 200 CHROME
- 13 1853224 200SEL 07, HATCH, FUEL TANK FBRGLS
- 14 1853226 200SEL 07, HATCH, SKI FBRGLS
- 1333186 HINGE, SS CONT 2" X 30" 240SD-00 SKI STRG
- 1264506 FLOORING, PVC MAT SKI WELL WHT 22" X 54"
- 15 1853225 200SEL 07, HATCH, FWD CKPT FBRGLS
- 16 1165257 TRIM, PLAS ANGLE 15/16" X 15/16" TAPERED PRL
(TRIM ABOVE STRB HELM STORAGE OPENING)

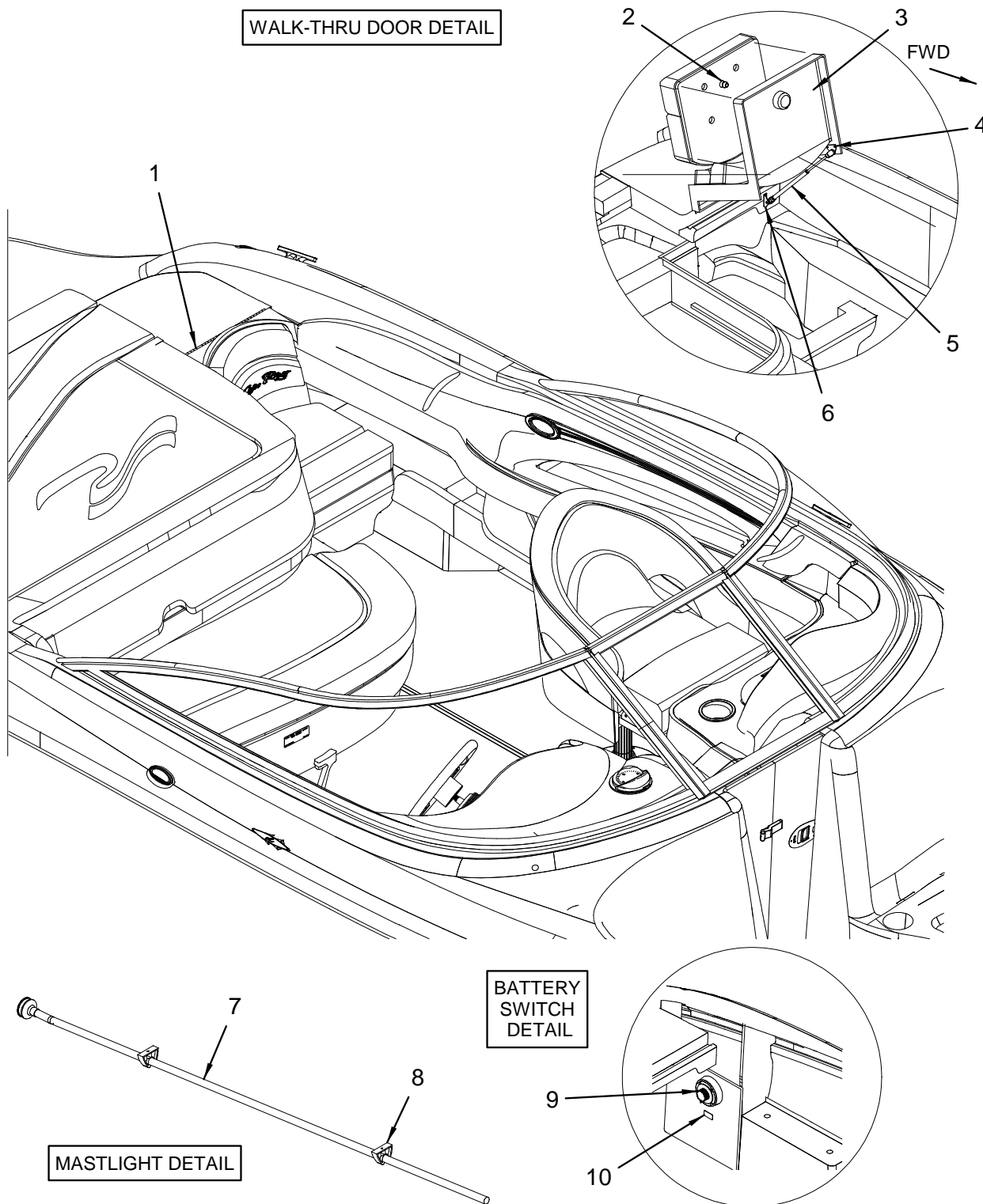
BRACKETS

- 1617281 BRACKET, BLSTR CKPT ANGLED 1/4" STND-OFF SS
- 1756151 BRACKET, BLSTR CKPT 3/4" X 2" X 1/16" STND-OFF SS

NOT SHOWN

- 136853 NOSING, ALUM 5/8" X 12' T-1 ROUNDED BRITE BUFF

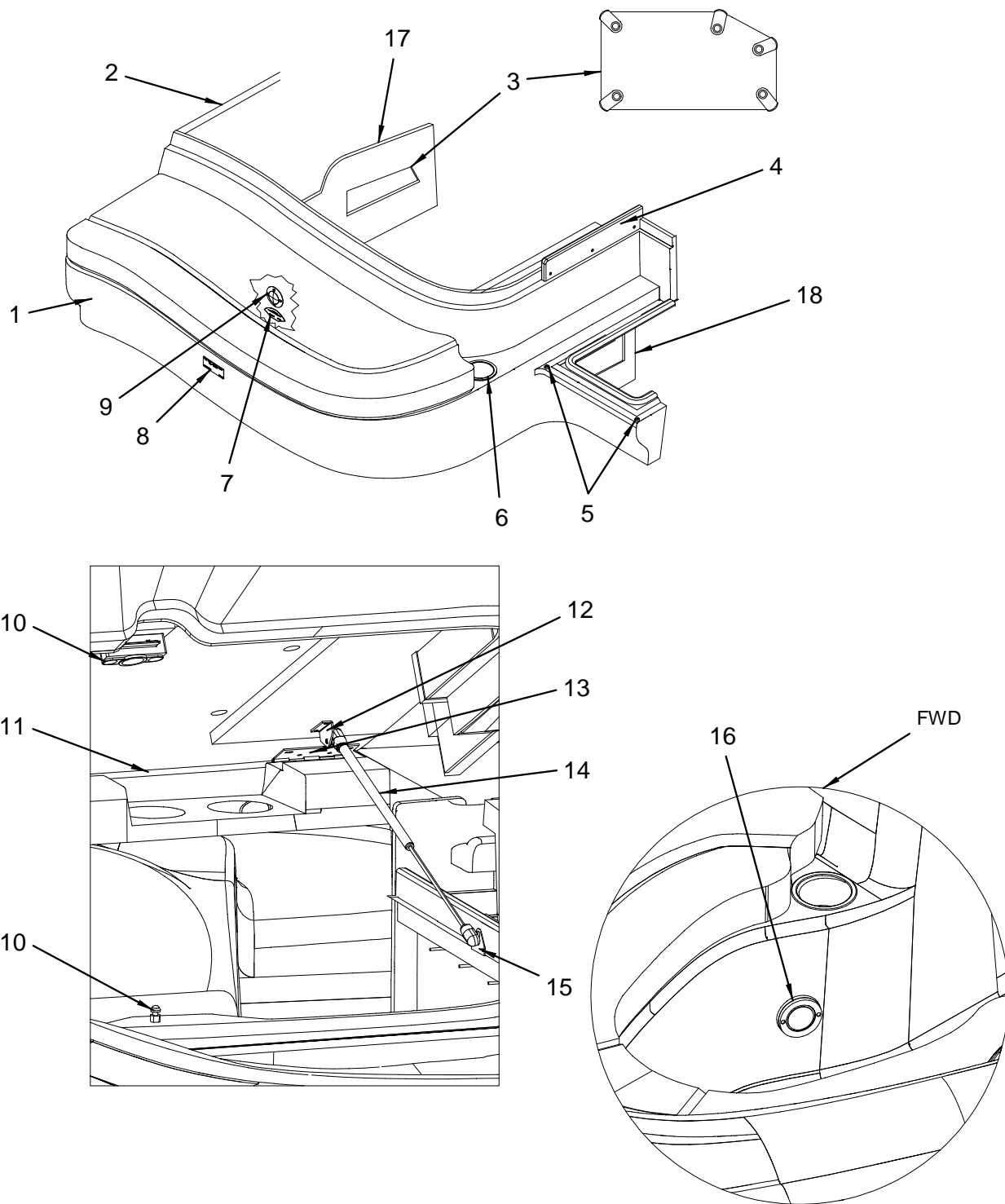
COCKPIT (AFT PORT VIEW)



COCKPIT (AFT PORT VIEW)

- 1 1749855 HINGE, SS CONT 2"X 14.5" X 1/2" KNUC POLISHED
- 2 1118314 CATCH, RBR SUNPAD HOLD-DOWN
(TWO BUCKETS W/ SUN PAD / WALK-THRU)
- 1794197 SHIM, HDPE 1" DIA X 1/4" BLACK
(TWO BUCKETS W/ SUN PAD / WALK-THRU)
- 3 1853229 200SEL 07.HATCH.WALK THRU FBRGLS
(HATCH ONLY DOES NOT INCLUDE CUSHIONS)
- 4 634592 BRACKET, SS GAS CYL FLAT W/BALL STUD
- 5 817643 CYLINDER, GAS 40PSI 17.2"EXT X 10.2"COMP
(TWO BUCKETS W/ SUN PAD / WALK-THRU)
- 6 634550 BRACKET, SS GAS CYL 90DEG L-BRKT W/BALL LONG
- 7 1646850 LIGHT, NAV A/R STERN 79"13DEG RG THRNUT
(NOT USED W/SPORTS TOWER W/BIMINI TOP W/WAKEBOARD RACKS - A DIFFERENT STERN LIGHT IS LOCATED ON SPORTS TOWER)
- 1798058 LIGHT, NAV A/R STERN 79" LENS CVR ONLY
(PART OF 1646850)
- 1205665 BULB, STERN NAV LIGHT REPL FOR#929042/#934083
(PART OF 1646850)
- 8 590646 CLIP, POLE STRG BLK - MAST LIGHT
- 9 1726841 SWITCH, BATTERY ON/OFF N/LCK N/DISC RV1
(BATTERY ON / OFF SWITCH)
(C E OPTION GROUP)
- 1726840 SWITCH, BATTERY SEL W/O LOCK W/O DISC REV 1
(BATTERY SWITCH-DUAL W/ 2ND TRAY SINGLE ENG)
- 10 1746901 LABEL, CAUTION BATTERY SWITCH OFF/ALT DAMAGED
(BATTERY ON / OFF SWITCH)
(C E OPTION GROUP)
(BATTERY SWITCH-DUAL W/ 2ND TRAY SINGLE ENG)

COCKPIT (AFT STARBOARD VIEW)



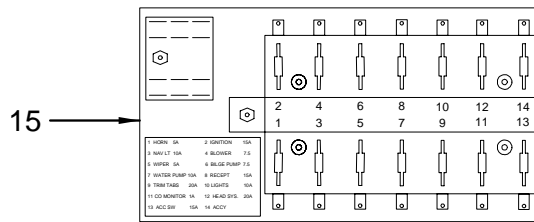
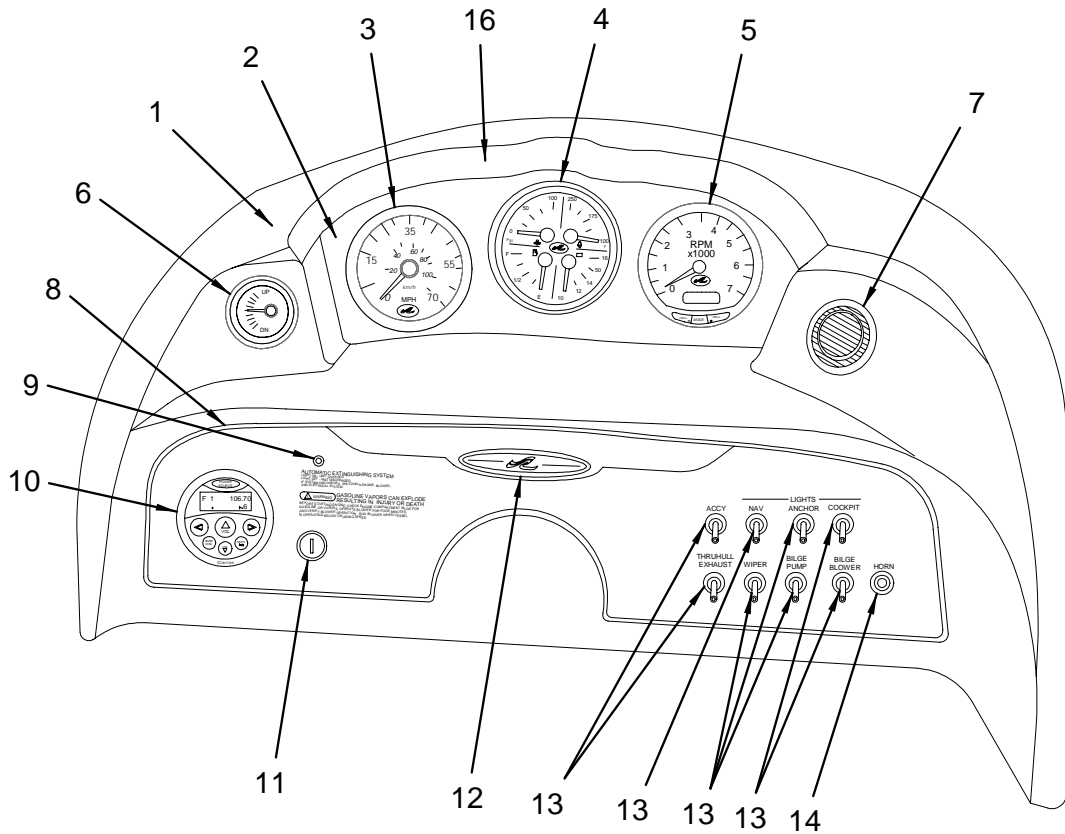
COCKPIT (AFT STARBOARD VIEW)

- 1 1853227 200SEL 07,BASE,AFT SEAT STD FBRGLS
(FIBERGLASS BASE ONLY)
- 2 1156355 TRIM, EDGE PRL MOTOR BOX SMALL
- 3 1853228 200SEL 07,CANVAS,SNPD BLKHD FLAP STD CKPT
- 4 1647528 SUPPOT, HDPE 200BR-02 SUNPAD PORT
- 5 274373 BUMPER, CANOE CLIP MED WHT
- 6 1812917 HOLDER, DRINK SS 4"X 3" MUG SZ PLSHD RIM
- 7 1744762 LABEL, WARNING PYHY FIRE EXT PRT (LEXAN)
- 8 1743499 LABEL, FIRE PRT ACCESS-KEEP CLEAR
- 9 1615988 ACCESS PLATE, FIRE PRT WHT W/WHT PLAS INSERT
(TWO BUCKETS W/ SUN PAD / WALK-THRU)
- 10 1816506 LATCH, HATCH/SUNPAD BLK PLAS W/O BOLT
(MUST ORDER EITHER 1816670 OR 1816671 TO RECEIVE
COMPLETE LATCH)
- 1816671 BOLT, LATCH HATCH SUNPAD 3/8" X 3 1/4" W/HDWR
- 1816670 BOLT, LATCH HATCH SUNPAD 3/8" X 2 3/4" SS
(TWO BUCKETS W/ SUN PAD / WALK-THRU)
- 11 1041524 TRIM-SEAL, 1/4" W/7/16"BULB LOC-C
- 12 634550 BRACKET, SS GAS CYL 90DEG L-BRKT W/BALL LONG
- 13 1626407 HINGE, SS CONT 4"X 5" W/1/4"PIN
- 14 813980 CYLINDER, GAS 80PSI 20"EXT X 12"COMP
- 15 634592 BRACKET, SS GAS CYL FLAT W/BALL STUD
- 16 1771019 LIGHT, NAV STERN FLUSH MT CKPT W/CONN
- 1200369 BULB, REPL FOR #0137380/#0783670
(PART OF 1771019)
- 17 1884383 200SEL 07,BLKHD,SNPD STB ENG BLCKOFF W/T
- 18 1884384 200SEL 07,BLKHD,SNPD PRT ENG BLCKOFF W/T

NOT SHOWN

- 129247 BAR, ALUM FLAT 1/8"X 2"X 12'

COCKPIT (HELM)



COCKPIT (HELM)

- 1 1802466 DASH ASSY, BLANK:200/220SEL-06 NCKL W/S-CRFT
- 2 1747639 PANEL, BLANK: 200/220BR-04 INST W/S-CRFT EBNY
(BLANK PANEL FOR 1802466)
(BLACK INSERT ONLY - PART OF DASH ASSEMBLY)
- 3 1689917 GAUGE, LINK SPEED 3" S-CRFT 0-70MPH
- 1690381 NUT, LOCK 85MM SPIN LOCK VDO
- 1727800 PITOT, S/CRFT SPEEDO KIT SML BLOCK
- 4 1609007 GAUGE, 5" 4-IN-1 FUEL/VOLT/OIL/TMP S-CRFT
- 1690382 NUT, LOCK 110MM SPIN LOCK VDO
- 5 1777617 GAUGE, SYS TACH 3" S-CRFT 0-7000RPM RV2
- 1690381 NUT, LOCK 85MM SPIN LOCK VDO
- 6 1690031 GAUGE, ENG TRIM S-CRFT 2"
- 1690380 NUT, LOCK 52MM SPIN LOCK VDO
- 7 1806420 SPEAKER, PANASONIC TWEET/MID/HRNS KIT BLK/CHR
(NOTE:SPEAKER KIT CONTAINS TWEETER & MIDRANGE
SPEAKER)
- 8 1801896 PANEL, 200/220SEL-06 CNTL SW W/CONN COPR/WLNT
- 1801895 PANEL, BLANK:200/220SEL-06 CNTRL SW COPR/WLNT
(BLANK PANEL FOR 1801896)
- 9 1799844 HALON SYS, INDICATOR LIGHT 12V GRN
(PART OF 1837236 & 1771024)
- 137786 PLUG, HOLE 5/16" BLK
- 10 1799348 STEREO, REMOTE CNTRL W/DSPL BLK FACE/SS BZL
- 1312750 CABLE, CLARION REMOTE EXTENSION CABLE 24'
- 11 1409366 SWITCH, IGN STARTER
- 1449818 KEY, IGN W/RUBBER SR GRIP "BLANK"
(PART OF 1409366)
- 1403161 KEY, IGN W/RUBBER SR GRIP "J"
(PART OF 1409366)
- 1403179 KEY, IGN W/RUBBER SR GRIP "K"
(PART OF 1409366)
- 1403187 KEY, IGN W/RUBBER SR GRIP "L"
(PART OF 1409366)
- 1403195 KEY, IGN W/RUBBER SR GRIP "M"
(PART OF 1409366)
- 1403237 KEY, IGN W/RUBBER SR GRIP "N"
(PART OF 1409366)
- 1403203 KEY, IGN W/RUBBER SR GRIP "P"
(PART OF 1409366)
- 1403229 KEY, IGN W/RUBBER SR GRIP "R"
(PART OF 1409366)
- 1403211 KEY, IGN W/RUBBER SR GRIP "S"
(PART OF 1409366)
- 12 1751809 EMBLEM, URETHANE DASH PRT/STB CHR/BLK
(EMBLEM ONLY - PART OF DASH ASSEMBLY)
- 13 1757312 SWITCH, TOGGLE CHR W/BLU IND SPST
(WINDSHIELD WIPER - STARBOARD)
(CORSA THRU-HULL EXHAUST SYSTEM)
- 1737371 WASHER, LOCK INT TOOTH NCKL PLATED
(PART OF 1757312)
- 1787018 NUT, NICKEL FOR TOGGLE SWITCH
(PART OF 1757312)
- 14 762955 SWITCH, HORN
- 15 1746046 FUSE BLOCK, 14-GNG BLADE-TYPE W/ID LBL SLCTS
- 16 1797095 VISOR, DASH PWTR MIST
(PART OF 1802466)
(VISOR ONLY - PART OF DASH ASSEMBLY)

ADHESIVES

- 1754139 ADHESIVE, BOSTIK B960SR NICKLE 10.3OZ TUBE

LABELS

- 1811368 LABEL, DANGER CO HELM 06
- 1850603 PLATE, BUILDERS AU 06-200SEL
(AUSTRALIAN BUILDERS PLATE)
(FOR BOATS BUILT IN 2006)

NOT SHOWN

- 1804434 HARNESS, 200/220SEL-06 WIRE W/S-CRFT W/CONN
- 1727448 HARNESS, MERC DATA S-CRFT W/TERM 1000-1RSL-25
(STEERING WHEEL - VESSEL CONTROL SYSTEM)
- 1507292 HARNESS, ENG SYSTEMS TACH/MONITOR
(STEERING WHEEL - VESSEL CONTROL SYSTEM)
- 1507326 ACC PART, MERC S-CRFT JUNC BOX 4-WAY
(STEERING WHEEL - VESSEL CONTROL SYSTEM)
- 1771022 ACC PART, MERC ALARM BUZZER W/HARNESS W/CONN
- 1727450 ACC PART, MERC S-CRFT TRNS W/10' NYL DEP/TEMP
(DEPTH TRANSDUCER)
- 1701352 PLUG, DOMED HOLE 1/2"

PERFECT PASS SPEED CONTROL

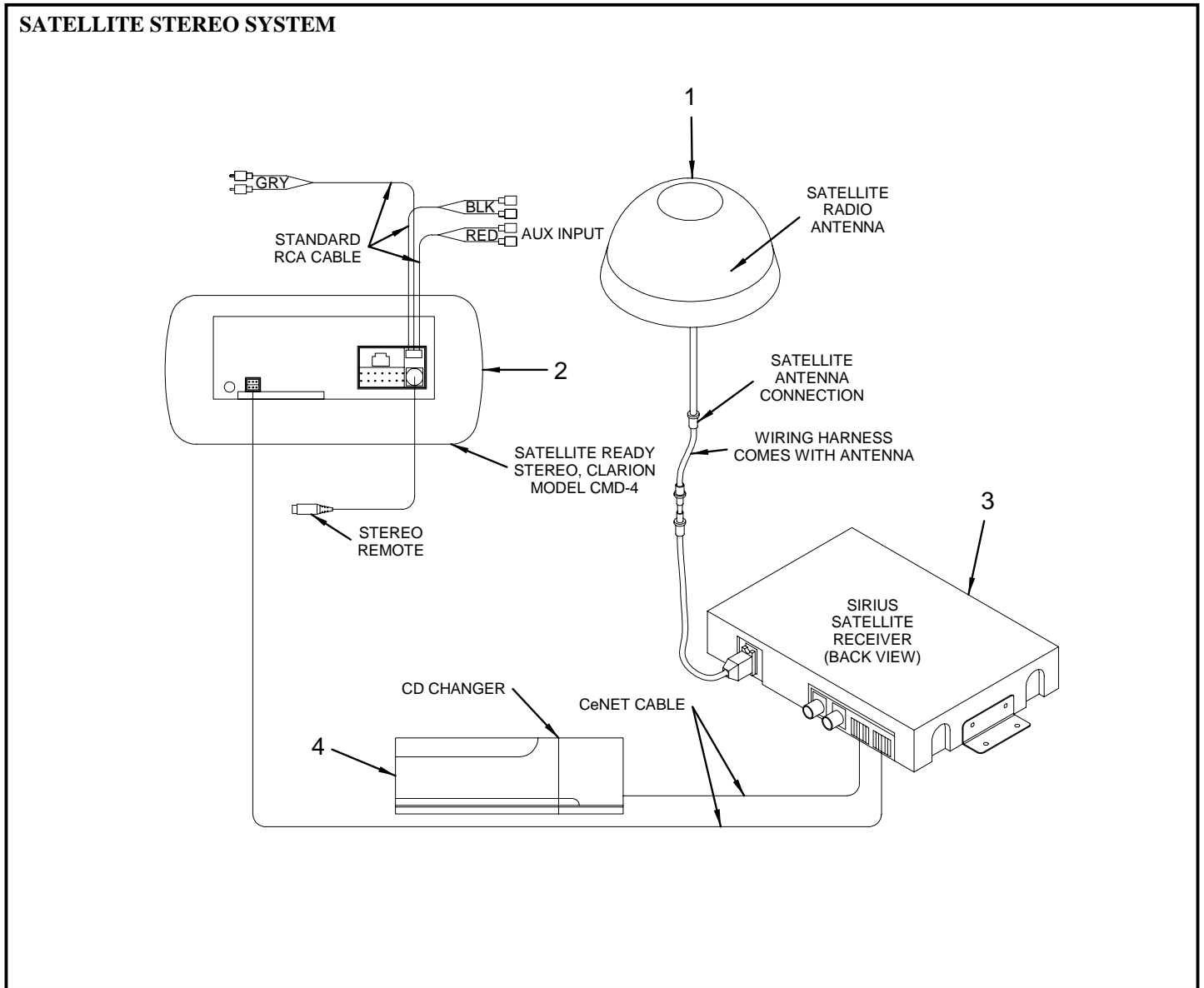
- 1809619 ACC PART, PRFCT PASS SUBKIT #1
- 1809620 ACC PART, PRFCT PASS SUBKIT #2

PERFECT PASS SPEED CONTROL (continued)

- 1809621 ACC PART, PRFCT PASS SUBKIT #3
- 1762413 HARNESS, ENG MERC S-CRFT SC100 LINK EXT 12"

SAFETY PACKAGE

- 1848244 KIT, SAFETY PACKAGE-SPBOAT W/WHT FNDRS/LINE



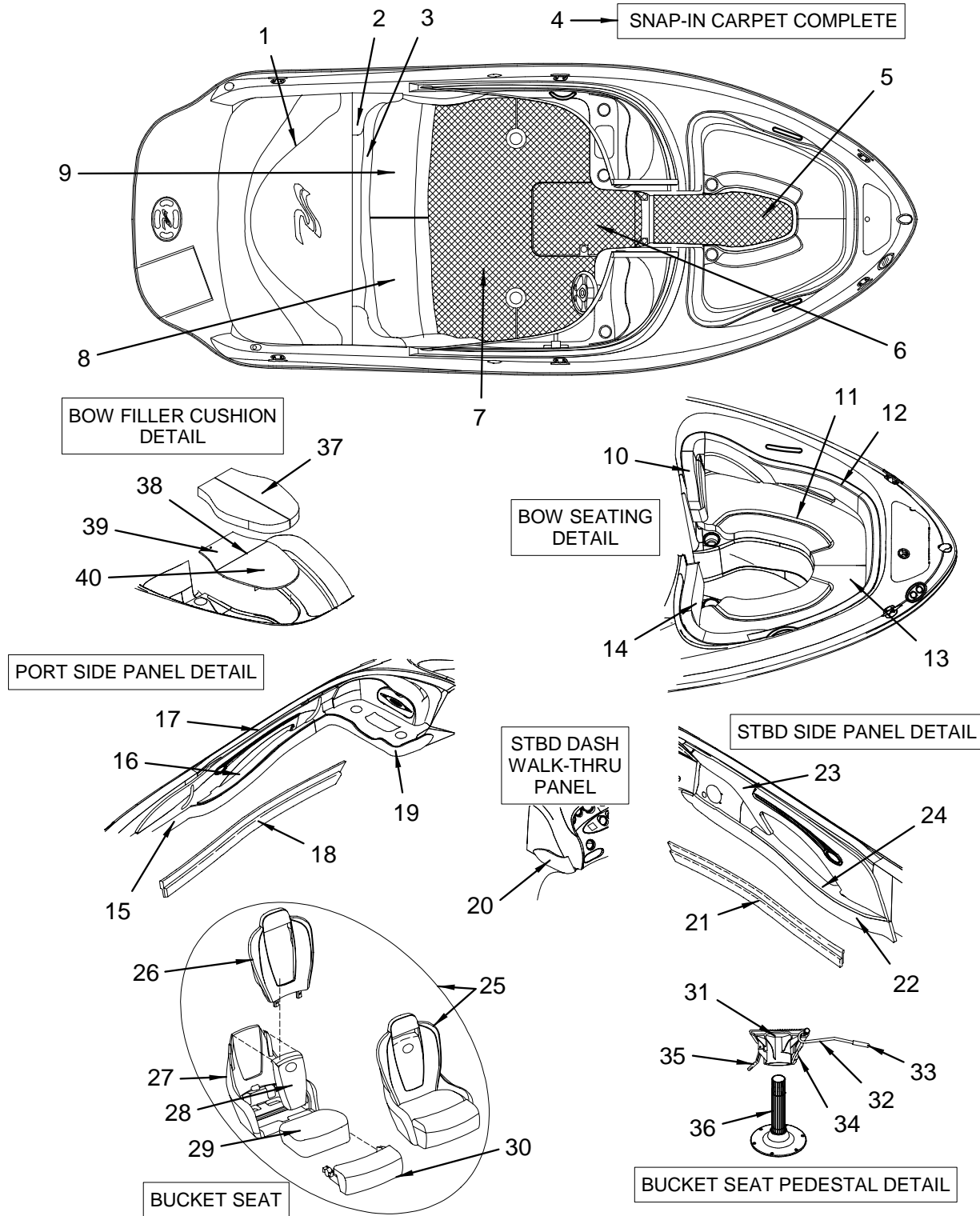
SATELLITE STEREO SYSTEM

- 1 1757933 ANTENNA, SHAKESPEARE SATELLITE RADIO ANTENNA
- 2 1854318 STEREO, AM/FM CD/CHNGR/SIR/XM SAT CMD4A
(HULL# 3111 -> UP)
- 1803464 STEREO, AM/FM CD W/CHNGR/SIR SAT PLAYER CMD4
(HULL# 3001 -> 3110)
- 3 1847461 STEREO, SIRIUS SATELLITE RCVR SIRCL3M-6MO
1887355 CABLE, SIRIUS SATELLITE RCVR CENET SIRCLM3
(PART OF 1847461)
- 4 1733835 STEREO, CD CHANGER 6-DISC DCZ625 C-NET
(CD CHANGER, 6 DISC)
- 1122357 STEREO, CD (6 DISC) MAGAZINE CLARION
(PART OF 1733835)

LABELS

- 1766115 PACKET, SIRIUS WELCOME KIT

COCKPIT (UPHOLSTERY) SUNPAD AFT FULL BENCH SEAT



COCKPIT (UPHOLSTERY) SUNPAD AFT FULL BENCH SEAT

1	1853241	200SEL 07,CUSH,SNPD FULL BNCH OPT
	1853239	200SEL 07,CUSH SKN,SNPD FULL BNCH OPT
2	1853235	200SEL 07,BLSTR,AFT SEAT UPR FULL BNCH OPT
	1853233	200SEL 07,BLSTR SKN,UPR AFT FULL BNCH OPT
3	1853234	200SEL 07,BLSTR,AFT SEAT LWR FULL BNCH OPT
	1853232	200SEL 07,BLSTR SKN,LWR AFT FULL BNCH OPT
4	1853236	200SEL 07,CARPET,SNPN CKPT CMLPT BNCH OPT
5	1853187	200SEL 07,CARPET,SNPN BOW
6	1853190	200SEL 07,CARPET,SNPN SKI HATCH STD CKPT
7	1853248	200SEL 07,CARPET,SNPN CKPT ONLY BNCH OPT
8	1853242	200SEL 07,CUSH,STB AFT FULL BNCH OPT
	1853238	200SEL 07,CUSH SKN,STB AFT FULL BNCH OPT
	1803842	BLOCK, PLAS 3" X 1-1/8" X 1-1/4" XL HOOK
9	1853240	200SEL 07,CUSH,PRT AFT FULL BNCH OPT
	1853237	200SEL 07,CUSH SKN,PRT AFT FULL BNCH OPT
	1803842	BLOCK, PLAS 3" X 1-1/8" X 1-1/4" XL HOOK
10	1853182	200SEL 07,BLSTR,PRT AFT BOW
	1853178	200SEL 07,BLSTR SKN,PRT AFT BOW
11	1853203	200SEL 07,CUSH,PRT BOW
	1853196	200SEL 07,CUSH SKN,PRT BOW
	1797938	CLEAT, PLAS 3/4"X 1"X 4" BLACK
12	1853181	200SEL 07,BLSTR,FWD BOW
	1853177	200SEL 07,BLSTR SKN,FWD BOW
13	1853205	200SEL 07,CUSH,STB BOW
	1853199	200SEL 07,CUSH SKN,STB BOW
	1797938	CLEAT, PLAS 3/4"X 1"X 4" BLACK
14	1853184	200SEL 07,BLSTR,STB AFT BOW
	1853179	200SEL 07,BLSTR SKN,STB AFT BOW
15	1853216	200SEL 07,SIDE PNL,PRT MID STD CKPT
	1853210	200SEL 07,SIDE PNL SKN,PRT MID STD CKPT
16	1853230	200SEL 07,ARMRST,PRT FULL BNCH OPT
17	1853217	200SEL 07,SIDE PNL,PRT UPR STD CKPT
	1853211	200SEL 07,SIDE PNL SKN,PRT UPR STD CKPT
18	1853245	200SEL 07,SIDE PNL,PRT LWR FULL BNCH OPT
	1853243	200SEL 07,SIDE PNL SKN,PRT LWR FULL BNCH OPT
	129189	ANGLE, ALUM 1/8"X 1.5"X 1.5"X 16'
19	1853183	200SEL 07,BLSTR,PRT DASH
20	1853185	200SEL 07,BLSTR,STB DASH
21	1853246	200SEL 07,SIDE PNL,STB LWR FULL BNCH OPT
	1853170	200SEL 07,SIDE PNL SKN,STB LWR FULL BNCH OPT
22	1853219	200SEL 07,SIDE PNL,STB MID STD CKPT
	1853213	200SEL 07,SIDE PNL SKN,STB MID STD CKPT
23	1853247	200SEL 07,SIDE PNL,STB UPR FULL BNCH OPT
	1853244	200SEL 07,SIDE PNL SKN,STB UPR FULL BNCH OPT
24	1853231	200SEL 07,ARMRST,STB FULL BNCH OPT
25	1853176	200SEL 07,BKT SEAT,W/THRS CMLPT
	1853175	200SEL 07,BKT SEAT SKN,W/THRS CMLPT
	964890	BRACKET, H/S FOLDUP 2PC RV2
	1474956	SLEEVE, BKT SEAT SPBT/SPCR 01 THIGH-RISE
26	1853201	200SEL 07,CUSH,BACK BKT SEAT
	1853193	200SEL 07,CUSH SKN,BACK BKT SEAT
27	1820260	SHELL, PLAS SPBT-07 HELM SEAT W/THRS
	1852427	200SEL 07,SHELL SKN,BKT SEAT
28	1852429	200SEL 07,CUSH,BACK BKT SEAT INSERT
	1852428	200SEL 07,CUSH SKN,BACK BKT SEAT INSERT
29	1853198	200SEL 07,CUSH,BTM BKT SEAT
	1853195	200SEL 07,CUSH SKN,BTM BKT SEAT
30	1853208	200SEL 07,LEG ROLL,BKT SEAT
	1853207	200SEL 07,LEG ROLL SKN,BKT SEAT
31	1754578	SLIDE ASSY, SEAT MILLENNIUM 10.5" M/H LONG HDL
	823401	NUT, HEX KEP/STAR LOCK #8-32 SS (PART OF 1754578)
32	1762918	HANDLE, MILLENNIUM SEAT SLIDE LONG W/O GRIP (PART OF 1754578)
33	1762920	CAP, RUBBER MILLENNIUM SLIDE HANDLE GRIP (PART OF 1754578)
34	1762921	HANDLE, MILLENNIUM SLIDE C-T ADJUSTER (PART OF 1754578)
35	1762924	LEVER, MILLENNIUM SLIDE SMALL CAM (PART OF 1754578)
	1762922	PIN, ROLL MILLENNIUM SLIDE CAM LEVER (PART OF 1754578)
	1762923	SCREW, MILLENNIUM SLIDE SMALL CAM LEVER (PART OF 1754578)
36	1154053	PEDESTAL, ALUM 13.25" RIBBED W/DELCUP
	1690896	PLATE, ALUM 1/4"X 2"X 9.75" W/2" TAPPED HOLES
37	1853202	200SEL 07,CUSH,BOW FILR (FILLER CUSHIONS)
	1853194	200SEL 07,CUSH SKN,BOW FILR (FILLER CUSHIONS)

37	1630169	FOAM, P/C 200BR-02 BOW FILR CUSH (FILLER CUSHIONS)
	180182	ZIPPER, #5 DELRIN CONTINUOUS WHT (FILLER CUSHIONS)
	180406	SLIDE, DELRIN #5 WHT 1-S LOCK (FILLER CUSHIONS)
38	1853223	200SEL 07,SUPPORT,BOW FILR BOARD SET (FILLER CUSHIONS) (BOW FILLER BOARD SET)
39	1853221	200SEL 07,SUPPORT,BOW FILR BOARD AFT (FILLER CUSHIONS)
40	1853222	200SEL 07,SUPPORT,BOW FILR BOARD FWD (FILLER CUSHIONS)

BASE VINYL

1144625	VINYL, SEABROOK D SEA SHELL EXP FLAT
1144179	VINYL, SEABROOK D SEA SHELL EXP 1/4"FB

CARPET COCKPIT STORAGE

1752085	CARPET, EXT 24 OZ NICKEL BT (GLUED IN CARPET)
---------	--

CARPET SNAP-IN

1609916	CARPET, EXT 28 OZ DUNE PEBBLE #902 RL 7"W (FOR CARPET LINER)
700492	BINDING, CANVAS 1" BLK SUNBRELLA
839720	BINDING, CANVAS 1" LINEN BIAS SUNBRELLA
154401	SNAP BUTTON, W/1/4" BARREL
779041	SNAP SOCKET, HARD ACTION
154377	SNAP STUD, W/#8 X 5/8" PH SS
1790664	SNAP REINFORCEMENT, PLAS BACKER 500 PC/ROLL

FOAM

1764388	FOAM SET 200SEL-04 BOW BLSTR SET
1750028	FOAM, P/C 200BR-04 SUNPAD FULL WIDTH
1750029	FOAM, P/C 200BR-04 AFT BENCH FULL WIDTH
1750030	FOAM, P/C 200BR-04 SIDE PNL SET FULL WIDTH
1831151	FOAM, SPBT BKT SEAT W/THRS-07
1839646	FOAM, P/C BKT SEAT/MATRIX-07

LABELS

1745515	LABEL, WARNING DO NOT STAND/WALK THIS AREA (FILLER CUSHIONS)
---------	---

NOT SHOWN

1801004	PVC BOARD, 3/4"X 4"X 8' SR PRL INTEFOAM
1749363	CLEAT, HDPE 3/4"X 1"X 13" PRL
124347	HOSE, PVC CLEAR 3/8"

UPHOLSTERY MATERIALS

157495	TAB, PULL TAB MATERIAL 6"
1687646	HIDEM, SEABROOK EBONY 5/8"
1805230	HIDEM, SEABROOK D SEA SHELL 5/8"
1754496	HIDEM, NEW MOROCCO HI-TECH NICKEL 5/8"
581827	WELT, WELT CORD SYNTHETIC 5/32"X 1250'
103309	MESH, WHITE 60"
983452	MESH, BLACK 54"
298406	CANVAS, SUNBRELLA CHARCOAL TWEED 60" CHAR

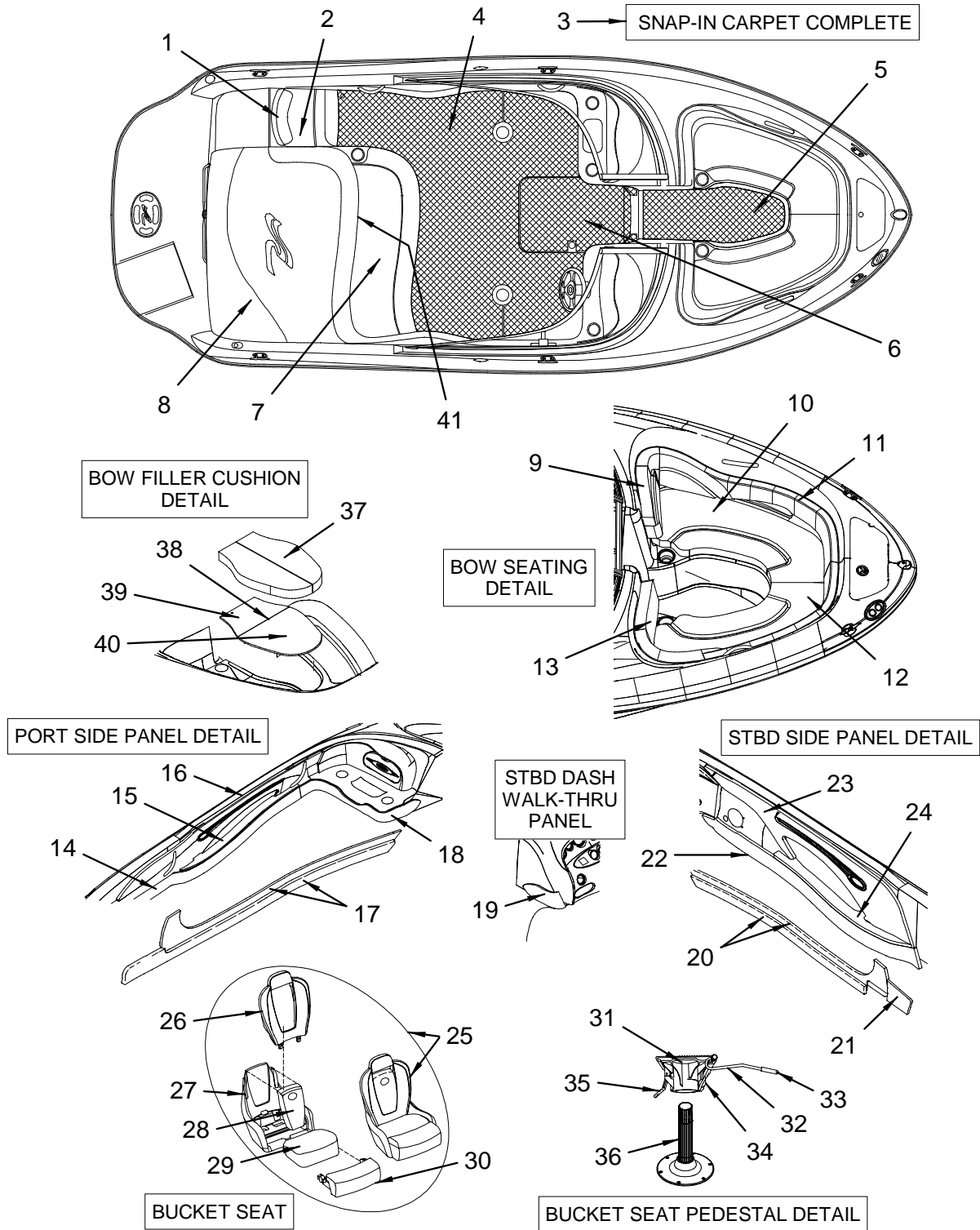
VINYL - ACCENT

1778337	VINYL, NICKEL SR-4983A EXP FLAT
1778341	VINYL, NICKEL SR-4983A EXP 1/4" FB
1761594	VINYL, SHORE NAVY 1/4"FB
1752330	VINYL, HI-TECH TOPAZ MIST EXP 1/4" FB
1799715	VINYL, SEABROOK REGAL RED EXP 1/4"FB
1743552	VINYL, HI-TECH PEWTER MIST EXP 1/4"FB

WELT

1619626	VINYL, DADE PEWTER MIST EXP FLAT (ACCENT WELT)
---------	---

COCKPIT (UPHOLSTERY) AFT WALK-THRU SUNPAD



COCKPIT (UPHOLSTERY) AFT WALK-THRU SUNPAD

1	1853186	200SEL 07,BLSTR,WALK-THRU HATCH
	1853180	200SEL 07,BLSTR SKN,WALK-THRU HATCH
2	1853206	200SEL 07,CUSH,WALK-THRU HATCH
	1853192	200SEL 07,CUSH SKN,WALK-THRU HATCH
3	1853188	200SEL 07,CARPET,SNPN CKPT CMPLT STD CKPT
4	1853189	200SEL 07,CARPET,SNPN CKPT ONLY STD CKPT
5	1853187	200SEL 07,CARPET,SNPN BOW
6	1853190	200SEL 07,CARPET,SNPN SKI HATCH STD CKPT
7	1853200	200SEL 07,CUSH,AFT BNCHST STD CKPT
	1853191	200SEL 07,CUSH SKN,AFT BNCHST STD CKPT
8	1853197	200SEL 07,CUSH SKN,SNPD STD CKPT
	1853204	200SEL 07,CUSH,SNPD STD CKPT
	1626407	HINGE, SS CONT 4"X 5" W/1/4"PIN
9	1853182	200SEL 07,BLSTR,PRT AFT BOW
	1853178	200SEL 07,BLSTR SKN,PRT AFT BOW
10	1853203	200SEL 07,CUSH,PRT BOW
	1853196	200SEL 07,CUSH SKN,PRT BOW
	1797938	CLEAT, PLAS 3/4"X 1"X 4" BLACK
11	1853181	200SEL 07,BLSTR,FWD BOW
	1853177	200SEL 07,BLSTR SKN,FWD BOW
12	1853205	200SEL 07,CUSH,STB BOW
	1853199	200SEL 07,CUSH SKN,STB BOW
	1797938	CLEAT, PLAS 3/4"X 1"X 4" BLACK
13	1853184	200SEL 07,BLSTR,STB AFT BOW
	1853179	200SEL 07,BLSTR SKN,STB AFT BOW
14	1853216	200SEL 07,SIDE PNL,PRT MID STD CKPT
	1853210	200SEL 07,SIDE PNL SKN,PRT MID STD CKPT
15	1853173	200SEL 07,ARMRST,PRT
16	1853211	200SEL 07,SIDE PNL SKN,PRT UPR STD CKPT
	1853217	200SEL 07,SIDE PNL,PRT UPR STD CKPT
17	1853215	200SEL 07,SIDE PNL,PRT LWR STD CKPT
	1853209	200SEL 07,SIDE PNL SKN,PRT LWR STD CKPT
	129189	ANGLE, ALUM 1/8"X 1.5"X 1.5"X 16'
18	1853183	200SEL 07,BLSTR,PRT DASH
19	1853185	200SEL 07,BLSTR,STB DASH
	129189	ANGLE, ALUM 1/8"X 1.5"X 1.5"X 16'
20	1853218	200SEL 07,SIDE PNL,STB LWR STD CKPT
	1853212	200SEL 07,SIDE PNL SKN,STB LWR STD CKPT
21	1853252	200SEL 07,SIDE PNL,STB AFT LWR STD CKPT
	1853253	200SEL 07,SIDE PNL SKN,STB AFT LWR STD CKPT
22	1853219	200SEL 07,SIDE PNL,STB MID STD CKPT
	1853213	200SEL 07,SIDE PNL SKN,STB MID STD CKPT
23	1853220	200SEL 07,SIDE PNL,STB UPR STD CKPT
	1853214	200SEL 07,SIDE PNL SKN,STB UPR STD CKPT
24	1853174	200SEL 07,ARMRST,STB
25	1853176	200SEL 07,BKT SEAT,W/THRS CMPLT
	1853175	200SEL 07,BKT SEAT SKN,W/THRS CMPLT
	964890	BRACKET, H/S FOLDUP 2PC RV2
	1474956	SLEEVE, BKT SEAT SPBT/SPCR.01 THIGH-RISE
26	1853201	200SEL 07,CUSH,BACK BKT SEAT
	1853193	200SEL 07,CUSH SKN,BACK BKT SEAT
27	1820260	SHELL, PLAS SPBT-07 HELM SEAT W/THRS
	1852427	200SEL 07,SHELL SKN,BKT SEAT
28	1852429	200SEL 07,CUSH,BACK BKT SEAT INSERT
	1852428	200SEL 07,CUSH SKN,BACK BKT SEAT INSERT
29	1853198	200SEL 07,CUSH,BTM BKT SEAT
	1853195	200SEL 07,CUSH SKN,BTM BKT SEAT
30	1853208	200SEL 07,LEG ROLL,BKT SEAT
	1853207	200SEL 07,LEG ROLL SKN,BKT SEAT
31	1754578	SLIDE ASSY, SEAT MILLENNIUM 10.5" M/H LONG HDL
	823401	NUT, HEX KEP/STAR LOCK #8-32 SS (PART OF 1754578)
32	1762918	HANDLE, MILLENNIUM SEAT SLIDE LONG W/O GRIP (PART OF 1754578)
33	1762920	CAP, RUBBER MILLENNIUM SLIDE HANDLE GRIP (PART OF 1754578)
34	1762921	HANDLE, MILLENNIUM SLIDE C-T ADJUSTER (PART OF 1754578)
35	1762924	LEVER, MILLENNIUM SLIDE SMALL CAM (PART OF 1754578)
	1762922	PIN, ROLL MILLENNIUM SLIDE CAM LEVER (PART OF 1754578)
	1762923	SCREW, MILLENNIUM SLIDE SMALL CAM LEVER (PART OF 1754578)
36	1154053	PEDESTAL, ALUM 13.25" RIBBED W/DELCUP
	1690896	PLATE, ALUM 1/4"X 2"X 9.75" W/2" TAPPED HOLES
37	1853202	200SEL 07,CUSH,BOW FILR (FILLER CUSHIONS)
	1853194	200SEL 07,CUSH SKN,BOW FILR (FILLER CUSHIONS)
	1630169	FOAM, P/C 200BR-02 BOW FILR CUSH (FILLER CUSHIONS)

37	180182	ZIPPER, #5 DELRIN CONTINUOUS WHT (FILLER CUSHIONS)
	180406	SLIDE, DELRIN #5 WHT 1-S LOCK (FILLER CUSHIONS)
38	1853223	200SEL 07,SUPPORT,BOW FILR BOARD SET (FILLER CUSHIONS) (BOW FILLER BOARD SET)
39	1853221	200SEL 07,SUPPORT,BOW FILR BOARD AFT (FILLER CUSHIONS)
40	1853222	200SEL 07,SUPPORT,BOW FILR BOARD FWD (FILLER CUSHIONS)
41	1853255	200SEL 07,BLSTR,AFT BNCHST W/MLKTHR
	1853256	200SEL 07,BLSTR SKN,BNCHST W/MLKTHR

BASE VINYL

1144625	VINYL, SEABROOK D SEA SHELL EXP FLAT
1144179	VINYL, SEABROOK D SEA SHELL EXP 1/4"/F/B

CARPET COCKPIT STORAGE

1752085	CARPET, EXT 24 OZ NICKEL BT (GLUED IN CARPET)
---------	--

CARPET SNAP-IN

1609916	CARPET, EXT 28 OZ DUNE PEBBLE #902 RL 7"W (FOR CARPET LINER)
700492	BINDING, CANVAS 1" BLK SUNBRELLA
154401	SNAP BUTTON, W/1/4" BARREL
779041	SNAP SOCKET, HARD ACTION
154377	SNAP STUD, W/#8 X 5/8" PH SS
1790664	SNAP REINFORCEMENT, PLAS BACKER 500 PC/ROLL

FOAM

1764388	FOAM SET 200SEL-04 BOW BLSTR SET
1630052	FOAM, P/C 200BR-02 SIDE PNL SET
1630078	FOAM, P/C 200BR-02 AFT BENCH & WLK-THRU HTCH
1755574	FOAM, P/C 200BR-04 SUNPAD (STD)

LABELS

1745515	LABEL, WARNING DO NOT STAND/WALK THIS AREA (FILLER CUSHIONS)
---------	---

UPHOLSTERY

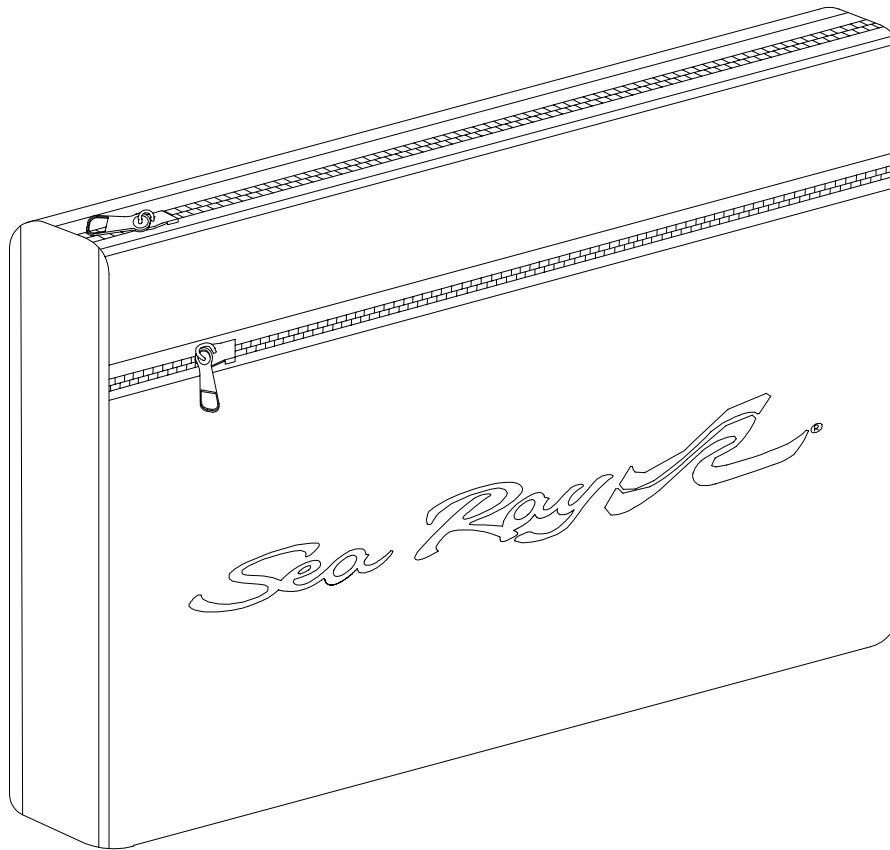
157495	TAB, PULL TAB MATERIAL 6"
1687646	HIDEM, SEABROOK EBONY 5/8"
1805230	HIDEM, SEABROOK D SEA SHELL 5/8"
1754496	HIDEM, NEW MOROCCO HI-TECH NICKEL 5/8"
581827	WELT, WELT CORD SYNTHETIC 5/32"X 1250'
103309	MESH, WHITE 60"
983452	MESH, BLACK 54"
298406	CANVAS, SUNBRELLA CHARCOAL TWEED 60" CHAR

VINYL - ACCENT

1778337	VINYL, NICKEL SR-4983A EXP FLAT
1778341	VINYL, NICKEL SR-4983A EXP 1/4" FB
1761594	VINYL, SHORE NAVY 1/4"FB
1752330	VINYL, HI-TECH TOPAZ MIST EXP 1/4" FB
1799715	VINYL, SEABROOK REGAL RED EXP 1/4"FB
1743552	VINYL, HI-TECH PEWTER MIST EXP 1/4"FB

WELT

1619626	VINYL, DADE PEWTER MIST EXP FLAT
---------	----------------------------------

MULTI-INFO PACKET**MULTI-INFO PACKET****MULTI-INFO PACKET**

1848319 PACKET, MULTI-INFO 200SEL-07

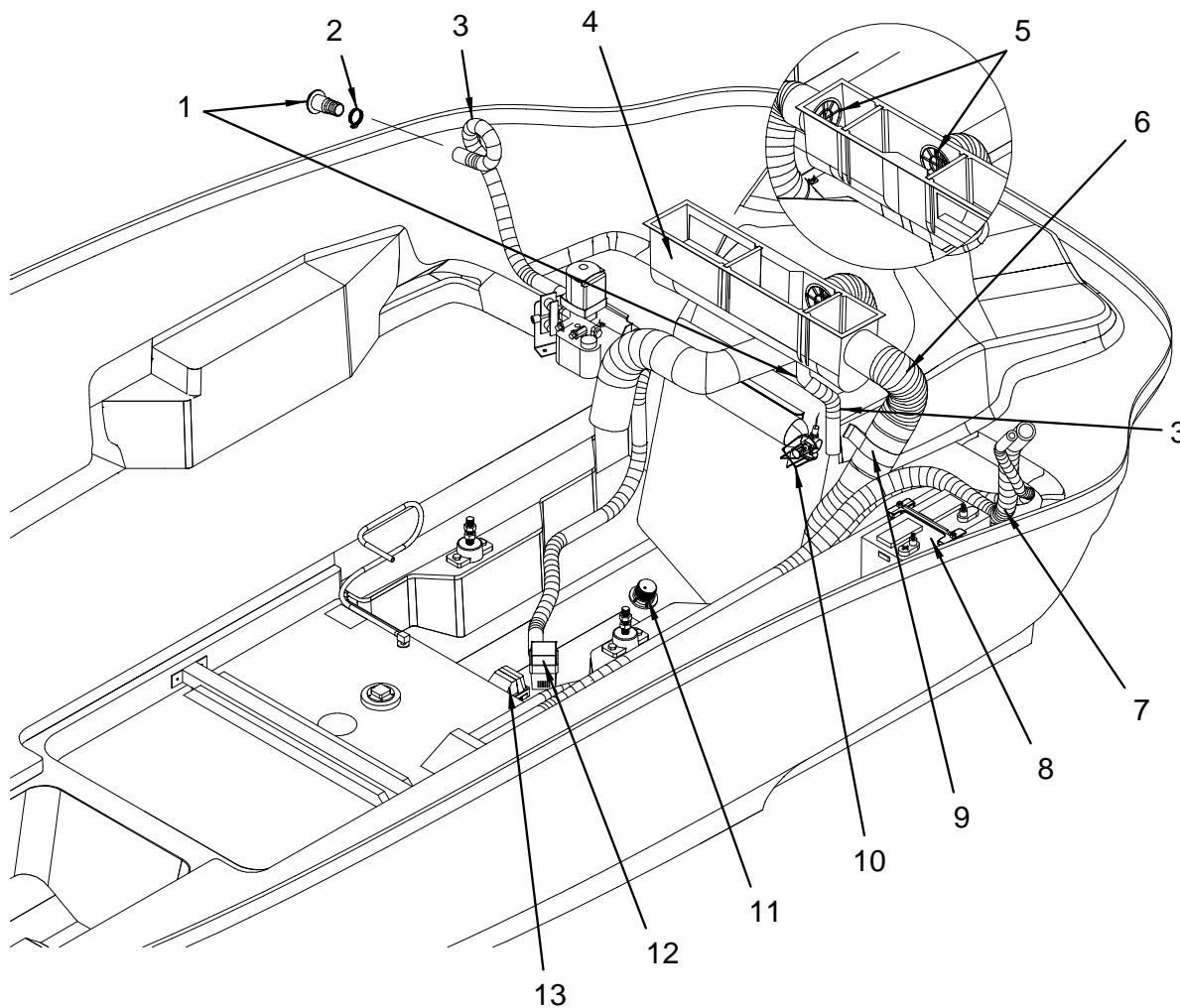
OWNERS PACKET CONTENTS

1093988 PACKET, OWNERS 2-COMP LEGAL SIZE CANVAS BLK
 1751550 CARD, CANVAS CARE & CLEANING MORBERN
 1751559 CARD, CANVAS CARE & CLEANING SUNBRELLA
 1751562 CARD, WARRANTY SUNBRELLA LIMITED
 1751564 CARD, CANVAS CARE & CLEANING SEA RAY
 1764423 BROCHURE, CARBON MONOXIDE AWARENESS
 764316 DOCUMENT, CANVAS LTD WARRANTY
 1766184 BROCHURE, WATERSKI SAFETY GUIDELINES
 1507938 CARD, TALOR WINDSHIELD/GLASS CARE
 1411404 ENVELOPE, DEALER INFORMATION
 1507912 CARD, PASSPORT TO SAVINGS
 929828 CARD, BOATING GUIDE
 833749 FUSE BOX, SPARE W/6 ATC BLADE STYLE
 140061 PLUG, DRAIN PLUG SNAPTITE 1/2"
 1751553 BOOKLET, COAST GUARD FEDERAL REQUIREMENT
 1751563 BOOKLET, STA-BIL FUEL STABILIZER
 1798084 LABEL, CHEMICAL WARNINGS
 1805468 CARD, LADDER MAINTENANCE
 1880468 CHECK LIST, INT'L DISCLOSURE SPBT/SPCRUSR '06
 (INTERNATIONAL IN-SERVICE CHECKLIST)

OWNERS PACKET SUPPLIED BY PLANT

434191 CARD, NAVIGATIONAL INTERNATIONAL
 (INTL OPERATIONS ADJUSTMENT)
 618025 VINYL FILM, MINI GRIP BAG 5" X 8"
 1068592 KEY, DECK PLATE CAP
 1682368 VINYL FILM, POLY BAG 34"X 50"X 2MIL CLEAR
 1691479 MANUAL, OWNERS - SEA RAY INT'L 12-LANGUAGE
 (C E OPTION GROUP)
 1741212 LABEL, STICKER 200BR CANADIAN CONFORMITY
 (CANADIAN CONFORMITY STICKER)
 1766115 PACKET, SIRIUS WELCOME KIT

BILGE



BILGE

- 1 1778931 THRU-HULL, SS 1 1/8" BARB SHORT W/RBR GASKET
(HULL SIDE)
1830769 GASKET, SILICONE 70 DUR 1/16" X 1.292 X 2.127
(HULL SIDE)
(REPLACED SILICONE CAULK ON SS THRU-HULLS ONLY)
1392794 THRU-HULL, PLAS 1 1/8" TUBE X 90DEG PRL
(COLLECTOR BOX)
2 256685 CLAMP, HOSE #16 3/4"-1.5" SS .505
3 123901 HOSE, CORR BILGE 1 1/8" BLK
4 1802347 COLLECTOR BOX, DECK VENT 200SEL-05 W/ COR EXH
5 716159 VENT, PLAS GRILL 4" BLK
6 124016 HOSE, VENT/BLOWER 4" EX HVY DTY
7 123745 HOSE, FUEL 1.5" TYPE A CLASS 2
8 1239458 HOLDER, BATTERY GR27/31 BLK NYLON W/SS
930990 CABLE, BATT BLK 68" #2AWG LUG 3/8" RING
1615111 CABLE, BATT RED 105" 2AWG LUG 3/8" RING
1216514 BOOT, BATTERY CABLE 4/0 BLK 1"
1216522 BOOT, BATTERY CABLE 4/0 RED 1"
1615129 CABLE, BATT BLK 68" 2/0 LUG 3/8" RING
(BATTERY ON / OFF SWITCH)
(C E OPTION GROUP)
(BATTERY SWITCH-DUAL W/ 2ND TRAY SINGLE ENG)
1615152 CABLE, BATT RED 58" 2/0 LUG 3/8" RING
(BATTERY ON / OFF SWITCH)
(C E OPTION GROUP)
(BATTERY SWITCH-DUAL W/ 2ND TRAY SINGLE ENG)
1615202 CABLE, BATT RED 141" 2/0 3/8" RINGS
(BATTERY ON / OFF SWITCH)
(C E OPTION GROUP)
(BATTERY SWITCH-DUAL W/ 2ND TRAY SINGLE ENG)
140509 BOOT, ENG STARTER RED
(BATTERY ON / OFF SWITCH)
(C E OPTION GROUP)
(BATTERY SWITCH-DUAL W/ 2ND TRAY SINGLE ENG)
1369941 CABLE, BATT RED 132" 2/0 AWG LUG 3/8" RING
(BATTERY SWITCH-DUAL W/ 2ND TRAY SINGLE ENG)
1434695 CABLE, BATT BLK 42" 2/0 LUG 3/8" RING
(BATTERY SWITCH-DUAL W/ 2ND TRAY SINGLE ENG)
9 1771006 BLOWER, BILGE 4" #240MQ W/CONN
10 1837236 FIRE EXT SYS, FE241 (SR) 75CF AUTO W/CONN
(FIRE SUPPRESSION SYSTEM - AUTOMATIC)
1771024 FIRE EXT SYS, FM200 75CF GAS-AUTO W/CONN
(C E FIRE SYSTEM - EUROPEAN DEALERS ONLY)
(FM-200 OPT. FIRE SUPPRESSION SYS-CAN. & AUS.)
1799844 HALON SYS, INDICATOR LIGHT 12V GRN
(PART OF 1837236 & 1771024)
884916 WASHER, 190BR/CB 97 HALON SYSTEM LIGHT
(FIRE SUPPRESSION SYSTEM - AUTOMATIC)
(C E FIRE SYSTEM - EUROPEAN DEALERS ONLY)
(FM-200 OPT. FIRE SUPPRESSION SYS-CAN. & AUS.)
11 1727450 ACC PART, MERC S-CRFT TRNS W/10' NYL DEP/TEMP
(DEPTH TRANSDUCER)
12 1771004 PUMP, BILGE 1100GPH W/IMPLLR HOUSG VNS W/CONN
13 1794015 SWITCH, FLOAT ATTWOOD W/CVR W/CONN

CLAMPS

- 417675 CLAMP, HOSE #20 3/4"-1.75" SS .505
123604 CLAMP, LOOM VINYL DIP 2.5"

CORSA THRU-HULL EXHAUST SYSTEM

- 1848565 MUFFLER, CORSA SIDTPS 200SEL/240SD V8/1.7" BLK
256743 CLAMP, HOSE #72 3 1/8"-5" SS .505
1757312 SWITCH, TOGGLE CHR W/BLU IND SPST
1787018 NUT, NICKEL FOR TOGGLE SWITCH
(PART OF 1757312)
1737371 WASHER, LOCK INT TOOTH NCKL PLATED
(PART OF 1757312)

FOAM

- 1749175 FOAM, P/C 200BR-04 CONV BILGE SNPD OPT
(2 BUCKETS / SUNPAD / AFT FULL BENCH SEAT)
1749176 FOAM, P/C 200BR-04 CONV BILGE CE SNPD OPT
(2 BUCKETS / SUNPAD / AFT FULL BENCH SEAT WITH C E
OPTION GROUP)
1630185 FOAM, P/C 200BR-02 CONV BILGE SET 4PC
(TWO BUCKETS W/ SUN PAD / WALK-THRU)
1719179 FOAM, P/C 200BR-02 BILGE SET 4PC CE OPTION
(TWO BUCKETS W/ SUN PAD / WALK-THRU WITH C E OPTION
GROUP)

HARNESSES

- 1839411 HARNESS, ENG MERC S-CRFT ADAPTR 10 PIN-14 PIN
1849384 ACC PART, MERC ACC HARNESS W/O RELAY

HARNESSES (continued)

- 1507342 ACC PART, MERC S-CRFT WTHR CAP 10POS CAP

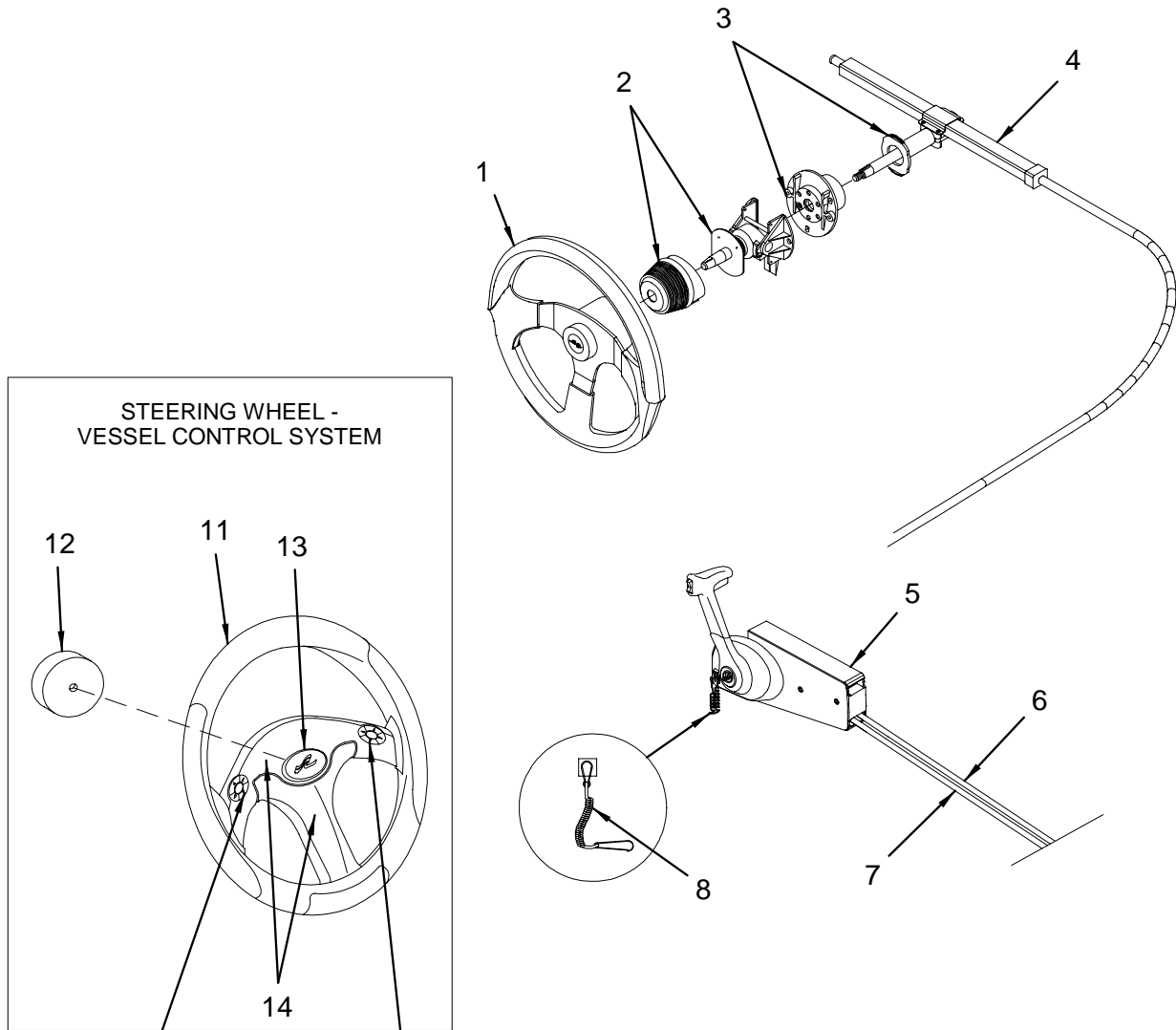
LABELS

- 1745512 LABEL, STAY CLEAR OF MOVING PARTS ON ENGINE
1873124 LABEL, U.S. PATENT
(GOES AT STB AFT CONER OF LINER ON WALL)
1745514 LABEL, PREVENT DISCHARGE OF POLLUTANTS
(C E OPTION GROUP)

NOT SHOWN

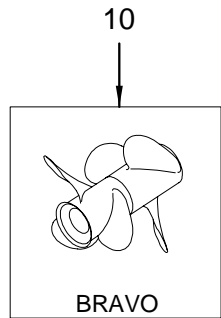
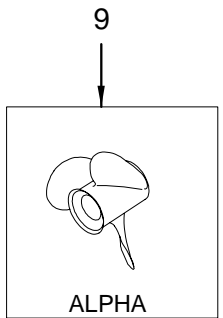
- 129189 ANGLE, ALUM 1/8"X 1.5"X 1.5"X 16'
799825 PLUG, HOLE 1" WHT
(FOAM HOLE PLUG)

STEERING SYSTEM



STEREO REMOTE SWITCH
(SWITCH CANNOT BE ORDERED SEPARATE)
ORDER 1773980 FOR BEZEL AND SWITCHES

SMARTCRAFT TOGGLE & FUNCTION SWITCH
(SWITCH CANNOT BE ORDERED SEPARATE)
ORDER 1773980 FOR BEZEL AND SWITCHES

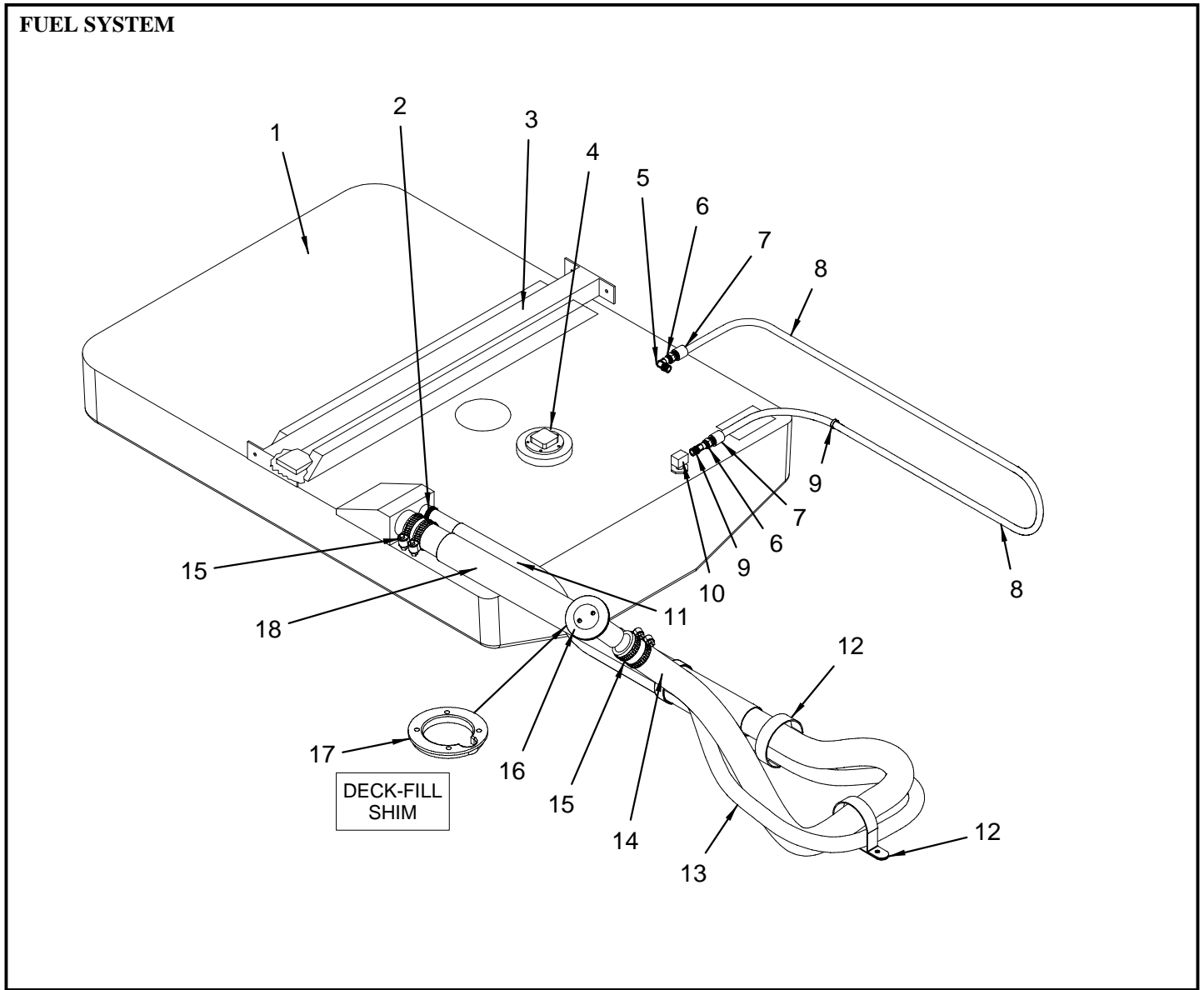


STEERING SYSTEM

- 1 1773975 STEERING WHEEL, SPBT INTELIWHEEL METCHRY/BLK
1786903 EMBLEM, S/R WAVE OVAL CHR W/BZL(INTELIWHEEL)
- 2 1777615 STEERING, PERFORMANCE TILT MECHANISM INTLLWHL
- 3 1092246 STEERING, TILT HELM BACK-MNT
- 4 1091842 STEERING, BACK MNT RACK/CABLE 15.0' ASSY
- 5 1754392 CONTROL, SIDE MNT LOCKBAR 4000 GEN II I/O
- 6 1848857 CABLE, CNTRL MERC GEN II PLAT 13'
(HULL# 3123 -> UP)
(THROTTLE)
- 1757743 CABLE, CONTROL MERC GEN II STD 16 LAY 13'BULK
(HULL# 3001 -> 3122)
(THROTTLE)
- 7 1759687 CABLE, CONTROL MERC GEN II PLAT 14'
(HULL# 3123 -> UP)
(SHIFT)
- 1757745 CABLE, CONTROL MERC GEN II STD 16 LAY 14'BULK
(HULL# 3001 -> 3122)
(SHIFT)
- 8 778928 LANYARD, COILED STOP SWITCH
(PART OF 1754392)
- 9 169672 PROP, 14"X 19" VENGEANCE RH
(4.3L MPI ALPHA (220 PHP) MCM STERN DRIVE)
(5.0L MPI ALPHA (260 PHP) MCM STERN DRIVE)
(350 MAG MPI ALPHA (300 PHP) MCM STERN DRIVE)
- 1803279 PROP, 14.5"X 15" VENGEANCE R3B
(15" VENGANCE PROP)
- 654319 PROP, 14.5"X 17" VENGEANCE RH
(17" VENGANCE PROP)
- 10 1360239 PROP, 15.75"X 22" CUP BR3 LH
(5.0L MPI BR 3 (260 PHP) MCM STERN DRIVE)
(22" BRAVO 3 SET)
- 1360247 PROP, 14.25"X 22" CUP BR3 RH
(5.0L MPI BR 3 (260 PHP) MCM STERN DRIVE)
(22" BRAVO 3 SET)
- 1427095 PROP, 15.5"X 24" CUP BR3 LH
(5.0L MPI BR 3 (260 PHP) MCM STERN DRIVE)
(24" BRAVO 3 SET)
- 1427103 PROP, 14.25"X 24" CUP BR3 RH
(5.0L MPI BR 3 (260 PHP) MCM STERN DRIVE)
(24" BRAVO 3 SET)
- 11 1773975 STEERING WHEEL, SPBT INTELIWHEEL METCHRY/BLK
(STEERING WHEEL - VESSEL CONTROL SYSTEM)
- 1774822 HARNESS, INTELIWHEEL S-CRFT CAN INTERFACE 6'
(STEERING WHEEL - VESSEL CONTROL SYSTEM)
- 1736095 CABLE, CLARION REMOTE EXTENSION CABLE 2'
(STEERING WHEEL - VESSEL CONTROL SYSTEM)
- 935080 CABLE, CLARION DUAL REMOTE "Y"
(STEERING WHEEL - VESSEL CONTROL SYSTEM)
- 12 1773984 STEERING, CLOCKSFRING INTELIWHL ASSY PLAS BLK
(STEERING WHEEL - VESSEL CONTROL SYSTEM)
- 13 1786903 EMBLEM, S/R WAVE OVAL CHR W/BZL(INTELIWHEEL)
(STEERING WHEEL - VESSEL CONTROL SYSTEM)
- 14 1773980 STEERING, BEZEL INTELIWHEEL MET CHRY/BLK
(STEERING WHEEL - VESSEL CONTROL SYSTEM)

LABELS

- 1816105 LABEL, PROP LABEL/SLIT NUMBERS Q.C.



FUEL SYSTEM

- 1 1830771 TANK, FUEL 200SEL/205SP06 37GL PLAS W/CON/ASV
(SEE REF 4, 10 FOR PARTS OF PART)
- 2 123398 CLAMP, HOSE #06M 5/16"-7/8" SS MINI
- 3 1140094 BRACKET, FUEL TANK 32 3/8" 190/210BR-99
- 4 1497452 TAPE, FOAM NEOPRENE W/3M 9828 3/8"TH X 2"W
129171 ANGLE, ALUM 1/8"X 1"X 1"X 12"
- 5 1787022 SENDING UNIT, WEMA 8" SS W/SCRWS & GASKET
(PART OF 1830771)
- 6 169474 ELBOW, BRASS 90DEG 3/8"SAX X 3/8"MPT
- 7 1887747 FITTING, BRASS BARB/NUT 3/8" FEMALE SAE
- 8 1887694 FERRULE, FUEL LINE 3/8" .718"ID X .768"OD
- 9 1884011 HOSE, FUEL 3/8" TYPE A CLASS 1-15 ISO/CE/CARB
- 10 123661 CLAMP, LOOM VINYL DIP 1"
- 11 1831426 VALVE, FUEL BRASS ASV 3/8NPTFX3/8 45 DEG FLAR
(PART OF 1830771)
- 12 1098250 TUBE, P/U FUEL-SPECIFY TANK (FOR#1076223)
(PART OF 1830771)
- 13 1433895 TANK, FUEL HDWR 1/2" SS SCREEN
(PART OF 1830771)
- 14 1501824 HOSE, CONDUIT/SPLIT 3/4" FLAME RETARDANT
- 15 123604 CLAMP, LOOM VINYL DIP 2.5"
- 16 123778 HOSE, FUEL 5/8" TYPE A CLASS 1 ISO/CE
- 17 123745 HOSE, FUEL 1.5" TYPE A CLASS 2
- 18 256693 CLAMP, HOSE #24 1"-2" SS .505
- 19 1109354 DECK PLATE, GAS CHR W/VENT 45DG NCK RED CODE
- 20 1213867 DECK PLATE, CAP W/CHAIN GAS (FOR #1109354)
(PART OF 1109354)

- 21 1098615 DECK PLATE, GAS CHR W/VENT (SHIM ONLY)
(PART OF 1109354)
- 22 1068592 KEY, DECK PLATE CAP
(PART OF 1109354)
- 23 1098615 DECK PLATE, GAS CHR W/VENT (SHIM ONLY)
- 24 1501865 HOSE, CONDUIT/SPLIT 1.25" FLAME RETARDANT

CLAMPS

- 25 256677 CLAMP, HOSE #12 1/2"-1.25" SS .505

HARNESSES

- 26 1839412 HARNESS, FUEL ADAPTER 3 PIN TO NW 6 PIN

LABELS

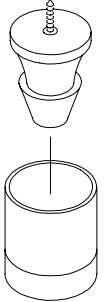
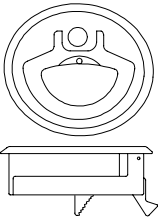
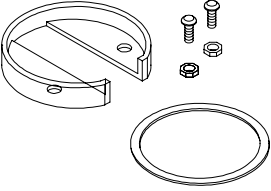
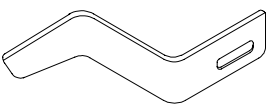
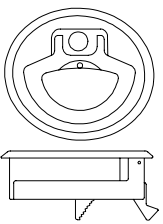
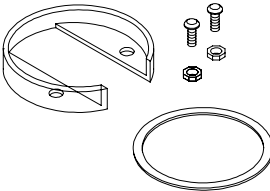
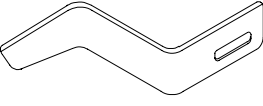
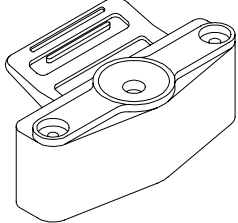
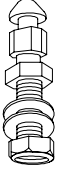
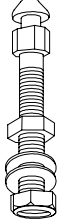
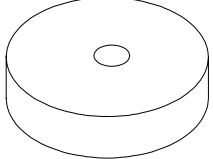
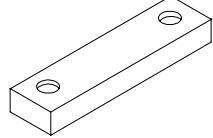
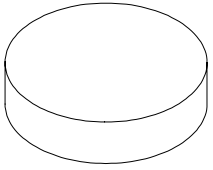
- 27 1745513 LABEL, WARNING LEAKING FUEL
- 28 1745158 LABEL, FUEL RECOMMENDATION/LP GAS WARNING

NOT SHOWN

- 29 468934 TAPE, VAC PAK WHT (4"X 36YDS) PRESERVATION

TELLICO HARDWARE

2005 TELLICO PLANT HARDWARE

 <p>1 → 1118314</p>	<p>STAINLESS STEEL</p>  <p>2 → 1781446</p>	 <p>3 → 1781448</p>	<p>2 1/2" OFFSET MEDIUM SS</p>  <p>4 → 1781463</p>
<p>STAINLESS STEEL</p>  <p>5 → 1781437</p>	 <p>6 → 1781440</p>	<p>2" OFFSET SHORT SS</p>  <p>7 → 1781439</p>	 <p>8 → 1816506</p>
 <p>9 → 1816670</p>	 <p>10 → 1816671</p>	<p>1" X 1/4" BLACK</p>  <p>11 → 1794197</p>	<p>7/16" X 1.25 X 3/16" PEARL</p>  <p>12 → 1754047</p>
<p>1" WHITE</p>  <p>13 → 1760141</p>			

TELLICO HARDWARE

- 1 1118314 CATCH, RBR SUNPAD HOLD-DOWN
(TWO BUCKETS W/ SUN PAD / WALK-THRU)
- 2 1833710 LATCH, COMPRESSION 2.5" LOCKING SS
- 1880051 KEY, LATCH COMPRESSION 2.5" LOCKING SS
(PART OF 1833710)
- 3 1781448 PLATE, SHALLOW BRKT 2.5"W/HDWR PKG SS
- 4 1781463 CATCH, PAWL 2.5"OFFSET MEDIUM SS
- 5 1781437 LATCH, COMPRESSION 2"N/LOCKING SS
- 6 1781440 PLATE, DEEP BRKT 2"W/HDWR PKG SS
- 7 1781439 CATCH, PAWL 2"OFFSET SHORT SS
- 8 1816506 LATCH, HATCH/SUNPAD BLK PLAS W/O BOLT
(MUST ORDER EITHER 1816670 OR 1816671 TO RECEIVE COMPLETE LATCH)
- 9 1816670 BOLT, LATCH HATCH SUNPAD 3/8" X 2 3/4" SS
(TWO BUCKETS W/ SUN PAD / WALK-THRU)
- 10 1816671 BOLT, LATCH HATCH SUNPAD 3/8" X 3 1/4" W/HDWR
- 11 1794197 SHIM, HDPE 1"DIA X 1/4" BLACK
(TWO BUCKETS W/ SUN PAD / WALK-THRU)
- 12 1754047 SHIM, HDPE 7/16"X 1.25"X 3/16" PRL
- 13 1760141 SHIM, PVC LADDER HATCH CATCH 1" WHT

350 MAG MPI ALPHA (300 PHP) MCM STERN DR.

1791388 DECAL, MERCURY CERTIFIED INSTALLER
 1816105 LABEL, PROP LABEL/SPLIT NUMBERS Q.C.
 1090885 OUTDRIVE UNIT, MERC ALPHA 1.47:1
 1848557 S/D, MERC 300HP 350MAG MPI ALPHA 1.7" 14PIN

4.3L MPI ALPHA (220 PHP) MCM STERN DRIVE

1791388 DECAL, MERCURY CERTIFIED INSTALLER
 1816105 LABEL, PROP LABEL/SPLIT NUMBERS Q.C.
 1090869 OUTDRIVE UNIT, MERC ALPHA 1.62:1
 1837940 S/D, MERC 220PHP 4.3L MPI A 1.7"

5.0L MPI ALPHA (260 PHP) MCM STERN DRIVE

1791388 DECAL, MERCURY CERTIFIED INSTALLER
 1816105 LABEL, PROP LABEL/SPLIT NUMBERS Q.C.
 1090869 OUTDRIVE UNIT, MERC ALPHA 1.62:1
 1837952 S/D, MERC 260PHP 5.0L MPI A 1.7"

5.0L MPI BR 3 (260 PHP) MCM STERN DRIVE

1791388 DECAL, MERCURY CERTIFIED INSTALLER
 123778 HOSE, FUEL 5/8" TYPE A CLASS 1 ISO/CE
 1816105 LABEL, PROP LABEL/SPLIT NUMBERS Q.C.
 1778015 OUTDRIVE UNIT, MERC BRAVO III 2.20:1 '05
 1837957 S/D, MERC 260PHP 5.0L MPI B 1.7"
 1682368 VINYL FILM, POLY BAG 34"X 50"X 2MIL CLEAR

NEUTRAL INTERIOR VINYL PACKAGE

1743552 VINYL, HI-TECH PEWTER MIST EXP 1/4"FB

AUSTRALIAN BUILDERS PLATE

1850603 PLATE, BUILDERS AU 06-200SEL

WATER SPORTS TOWER WITH Z5 SPORT RACK

1786804 HARNESS, TOWER 137"
 1745125 LABEL, SKI TOW ROPE BACKLASH
 1838336 SUPPORT, ALUM Z 5 SPORTS RACK W/BIM TOP/PHS 1
 1783635 SUPPORT, SR-05 ALUM WAKEBOARD RACK ANODIZED
 1212729 TIE, CABLE 14" BLK W/SS BARB
 1756508 TOWER, 200SEL WTR SPRTS HDWR KIT
 1849549 TOWER, 200SEL-07 ALUM WTR SPRT W/LGHT N/SNAPS
 1785967 VINYL FILM, 200SEL-05 PLAS CVR W/VENTS W/TWR

2ND STEREO REMOTE CONTROL -TRANSOM

935080 CABLE, CLARION DUAL REMOTE "Y"
 1312750 CABLE, CLARION REMOTE EXTENSION CABLE 24'
 1803477 STEREO, REMOTE CNTRL N/DSP/L BLK FACE/SS BZL

PREMIER STEREO UPGRADE

1750880 CABLE, RCA AUDIO 6' W/EFX-2 CONN W/NOISE SUPP
 1773444 GRILL, SPEAKER SUBWOOFER 10" ACOM BLK
 1804925 HARNESS, 200/220SEL-06 STEREO AMP UPGRADE
 1773440 SPEAKER, 10" SUBWOOFER ACOM N/CVR
 1807866 STEREO, AMP PANASONIC 400W 4CHNL

DOCKING LIGHTS

731018 FUSE, BLADE TYPE CLOSED 15A
 1791005 LIGHT, DOCKING SS 12V/50W W/ CONN

ZZ UNREFERENCED ACCESSORY GROUP ITEMS

1810916 CRADLE, STRG 10' 180-220 MODELS

BIMINI TOP & BOOT

1759661 CANVAS, 200/220BR-04 BIM TOP BOOT W/EMB BLK
 1819792 CANVAS, 200/220SEL-06 BIM TOP BLK PH2
 1144179 VINYL, SEABROOK D SEA SHELL EXP 1/4"F/B

PERFECT PASS SPEED CONTROL

1809619 ACC PART, PRFCT PASS SUBKIT #1
 1809620 ACC PART, PRFCT PASS SUBKIT #2
 1809621 ACC PART, PRFCT PASS SUBKIT #3
 1762413 HARNESS, ENG MERC S-CRFT SC100 LINK EXT 12"

MIRROR, SKI TOW

1846769 MIRROR, SKI SS W/S MOUNT

17" VENGEANCE PROP

654319 PROP, 14.5"X 17" VENGEANCE RH

22" BRAVO 3 SET (2 COUNTER ROTATING PROPS)

1360247 PROP, 14.25"X 22" CUP BR3 RH
 1360239 PROP, 15.75"X 22" CUP BR3 LH

24" BRAVO 3 SET (2 COUNTER ROTATING PROPS)

1427103 PROP, 14.25"X 24" CUP BR3 RH
 1427095 PROP, 15.5"X 24" CUP BR3 LH

15" VENGEANCE PROP

1803279 PROP, 14.5"X 15" VENGEANCE R3B

TRADITIONAL "SELECT" GRAPHICS

1805072 GRAPHICS KIT, 200SEL-06 TRADITIONAL SELECT
 1805218 TAPE, M/S 3/4" REGLANT/BLK

NO GRAPHICS (ONLY W/ TWO TONE HULLS)

1752669 EMBLEM, MODEL DESG 200SEL TRNSM URTHN BLK/CHR

OPTIONAL - BOOT STRIPE

1805074 GRAPHICS KIT, 200SEL-06 TAPER BLK

BOATER SAFETY KIT

1848244 KIT, SAFETY PACKAGE-SPBOAT W/WHT FNDRS/LINE
 1682368 VINYL FILM, POLY BAG 34"X 50"X 2MIL CLEAR

PREMIUM TRAILER W/ 2ND AXLE DISC BRAKES

1642404 BRAKE KIT, TRAILER TNDM AXLE/DISC
 1671510 TRAILER, 200BR/SD TNDM PNTD W/BRKS BLUE UPGR

FM-200 OPTIONAL FIRE SUPPRESSION SYS-INT'L

1771024 FIRE EXT SYS, FM200 75CF GAS-AUTO W/CONN

TWO TONE GELCOAT

1690265 GEL COAT, RED ARMORCOTE
 1690443 TAPE, SOLID 3/8" PRL

FILLER CUSHIONS

1764584 BOARD, HDPE 1/2"X 4'X 8' PEARL
 1630169 FOAM, P/C 200BR-02 BOW FILR CUSH
 1745515 LABEL, WARNING DO NOT STAND/WALK THIS AREA
 103309 MESH, WHITE 60"
 180406 SLIDE, DELRIN #5 WHT 1-S LOCK
 283069 VINYL FILM, PLAS 1MM X 5'X 830YD
 1144179 VINYL, SEABROOK D SEA SHELL EXP 1/4"F/B
 1144625 VINYL, SEABROOK D SEA SHELL EXP FLAT
 180182 ZIPPER, #5 DELRIN CONTINUOUS WHT

SPEAKERS FOR WATER SPORTS TOWER

1750878 CABLE, RCA AUDIO 20' W/EFX-2 CONN W/NOISE SUP
 1811741 HARNESS, 200/220SEL TOWER SPKR
 1790333 SPEAKER, TOWER 6100 INFINITY W/AMP-MIC
 1849550 TOWER, 200SEL-07 ALUM TOWER W/LT/SPKR N/SNAPS

BATTERY ON / OFF SWITCH

140509 BOOT, ENG STARTER RED
 1615129 CABLE, BATT BLK 68" 2/0 LUG 3/8" RING
 1615202 CABLE, BATT RED 141" 2/0 3/8" RINGS
 1615152 CABLE, BATT RED 58" 2/0 LUG 3/8" RING
 1746901 LABEL, CAUTION BATTERY SWITCH OFF/ALT DAMAGED
 1726841 SWITCH, BATTERY ON/OFF N/LCK N/DISC RV1

BLACK PAINTED TRAILER W/ SECOND AXLE BRAKES

1642404 BRAKE KIT, TRAILER TNDM AXLE/DISC
 1758417 TRAILER, 200BR/SD TNDM PNTD W/BRKS BLK

BLACK PREMIUM TRAILER W/ DISC BRAKES

1671510 TRAILER, 200BR/SD TNDM PNTD W/BRKS BLUE UPGR

BLACK PREMIUM TRAILER 2ND AXLE DISC BRAKES

1642404 BRAKE KIT, TRAILER TNDM AXLE/DISC
 1671510 TRAILER, 200BR/SD TNDM PNTD W/BRKS BLUE UPGR

BLACK STANDARD PAINTED TRAILER W/ BRAKES

1758417 TRAILER, 200BR/SD TNDM PNTD W/BRKS BLK

FIRE SUPPRESSION SYSTEM - AUTOMATIC

153932 CONN, RING 16/14GA X 10R W/INSUL
 1837236 FIRE EXT SYS, FE241 (SR) 75CF AUTO W/CONN

BATTERY SWITCH-DUAL W/ 2ND TRAY SINGLE ENG.

1216514 BOOT, BATTERY CABLE 4/0 BLK 1"
 1216522 BOOT, BATTERY CABLE 4/0 RED 1"
 140509 BOOT, ENG STARTER RED
 1434695 CABLE, BATT BLK 42" 2/0 LUG 3/8" RING
 1615129 CABLE, BATT BLK 68" 2/0 LUG 3/8" RING
 1369941 CABLE, BATT RED 132" 2/0 AWG LUG 3/8" RING

BATTERY SWITCH-DUAL W/ 2ND TRAY SINGLE ENG. (continued)

1615202 CABLE, BATT RED 141" 2/0 3/8" RINGS
 1615152 CABLE, BATT RED 58" 2/0 LUG 3/8" RING
 1239458 HOLDER, BATTERY GR27/31 BLK NYLON W/SS
 1746901 LABEL, CAUTION BATTERY SWITCH OFF/ALT DAMAGED
 1726840 SWITCH, BATTERY SEL W/O LOCK W/O DISC REV 1

1.62 TO 1 HIGH ALTITUDE GEAR RATIO FOR 350

1090869 OUTDRIVE UNIT, MERC ALPHA 1.62:1

WINDSHIELD WIPER (STARBOARD)

731034 FUSE, BLADE TYPE CLOSED 5A
 1774618 HARNESS, MOTOR AM WIPER 6" PIGTAIL W/CONN
 1757312 SWITCH, TOGGLE CHR W/BLU IND SPST
 1748544 WIPER ARM, 11"-16" BLACK (AM)
 1748538 WIPER BLADE, 14" FLEX BLACK (AM)
 1748562 WIPER MOTOR, 85 DEG (AM)

COCKPIT COVER W/ TONNEAU COVER

1804962 CANVAS, 200SEL-06 CPC N/CUTOUTS SNPD BLK
 1804950 CANVAS, 200SEL-06 TONNEAU CVR BLK
 1092162 CANVAS, STRG BAG 12X38 CLOUDBRST TONNEAU/CKPT

COMPASS

1791006 COMPASS, FLSHMT 3 7/8" BLK WT HSE/BLU LT W/CONN

BIMINI CANVAS PACKAGE

1759661 CANVAS, 200/220BR-04 BIM TOP BOOT W/EMB BLK
 1780171 CANVAS, 200/220SEL-05 SID CURT SET W/SNP BLK
 1780174 CANVAS, 200/220SEL-05 VSR CURT 3PC CLR/BLK
 1819792 CANVAS, 200/220SEL-06 BIM TOP BLK PH2
 1804966 CANVAS, 200SEL-06 BIM CPC SNPD N/SNPS BLK
 1806064 CANVAS, 200SEL-06 FULL/SNPD BIM AFT CURT BLK
 1804950 CANVAS, 200SEL-06 TONNEAU CVR BLK
 878652 CANVAS, SPBOAT STRG BAG 10X70 XLRG GREY 97
 1092162 CANVAS, STRG BAG 12X38 CLOUDBRST TONNEAU/CKPT
 1144179 VINYL, SEABROOK D SEA SHELL EXP 1/4" F/B

TRANSOM TRIM SWITCH

1803278 SWITCH, TILT EXTERNAL MOUNT W/CONN

CD CHANGER, 6 DISC

1733835 STEREO, CD CHANGER 6-DISC DCZ625 C-NET

C E OPTION GROUP

140509 BOOT, ENG STARTER RED
 1615129 CABLE, BATT BLK 68" 2/0 LUG 3/8" RING
 1615202 CABLE, BATT RED 141" 2/0 3/8" RINGS
 1615152 CABLE, BATT RED 58" 2/0 LUG 3/8" RING
 1749176 FOAM, P/C 200BR-04 CONV BILGE CE SNPD OPT
 1746901 LABEL, CAUTION BATTERY SWITCH OFF/ALT DAMAGED
 1745514 LABEL, PREVENT DISCHARGE OF POLLUTANTS
 1691479 MANUAL, OWNERS - SEA RAY INT'L 12-LANGUAGE
 1629104 PLATE, CE OPT C:200BR/7PERSON/545KG
 1726841 SWITCH, BATTERY ON/OFF N/LCK N/DISC RV1

C E FIRE SYSTEM - EUROPEAN DEALERS ONLY

1771024 FIRE EXT SYS, FM200 75CF GAS-AUTO W/CONN

1.81 TO 1 HIGH ALTITUDE GEAR RATIO

1076918 OUTDRIVE UNIT, MERC ALPHA 1.81:1

2.43 TO 1 BRAVO 3 HIGH ALTITUDE GEAR RATIO

1778005 OUTDRIVE (HI-ALT), MERC BR-III 2.43:1 '05

CORSA THRU-HULL EXHAUST SYSTEM - SINGLE ENG

256743 CLAMP, HOSE #72 3 1/8"-5" SS .505
 1848565 MUFFLER, CORSA SIDTPS 200SEL/240SD V8/1.7"BLK
 1757312 SWITCH, TOGGLE CHR W/BLU IND SPST

TWO BUCKETS W/ SUN PAD / WALK-THRU

1615988 ACCESS PLATE, FIRE PRT WHT W/WHT PLAS INSERT
 129189 ANGLE, ALUM 1/8"X 1.5"X 1.5"X 16'
 839720 BINDING, CANVAS 1" LINEN BIAS SUNBRELLA
 1803842 BLOCK, PLAS 3" X 1-1/8" X 1-1/4" XL HOOK
 634550 BRACKET, SS GAS CYL 90DEG L-BRKT W/BALL LONG
 634592 BRACKET, SS GAS CYL FLAT W/BALL STUD
 1609916 CARPET, EXT 28 OZ DUNE PEBBLE #902 RL 7"W
 1118314 CATCH, RBR SUNPAD HOLD-DOWN
 817643 CYLINDER, GAS 40PSI 17.2"EXT X 10.2"COMP
 1630078 FOAM, P/C 200BR-02 AFT BENCH & WLK-THRU HTCH
 1630185 FOAM, P/C 200BR-02 CONV BILGE SET 4PC

TWO BUCKETS W/ SUN PAD / WALK-THRU (continued)

1630052 FOAM, P/C 200BR-02 SIDE PNL SET
 1755574 FOAM, P/C 200BR-04 SUNPAD (STD)
 1763634 GEL COAT, MAXGUARD LE PEARL
 1687646 HIDE, SEABROOK EBONY 5/8"
 1749855 HINGE, SS CONT 2"X 14.5" X 1/2" KNUC POLISHED
 983452 MESH, BLACK 54"
 1768943 PVC BOARD, 1/2"X 4'X 8' SR PRL INTEFOAM
 1780393 RAIL, GRAB 8.5" 316L SS W/GASKET
 1794197 SHIM, HDPE 1"DIA X 1/4" BLACK
 154401 SNAP BUTTON, W/1/4" BARREL
 1790664 SNAP REINFORCEMENT, PLAS BACKER 500 PC/ROLL
 779041 SNAP SOCKET, HARD ACTION
 154377 SNAP STUD, W/#8 X 5/8" PH SS
 1778341 VINYL, NICKEL SR-4983A EXP 1/4" FB
 1144625 VINYL, SEABROOK D SEA SHELL EXP FLAT

CANADIAN CONFORMITY STICKER

1741212 LABEL, STICKER 200BR CANADIAN CONFORMITY

PAINTED TRAILER W/ SECOND AXLE BRAKES

1642404 BRAKE KIT, TRAILER TNDM AXLE/DISC

GALVANIZED TRAILER W/2ND AXLE DISC BRAKES

1642404 BRAKE KIT, TRAILER TNDM AXLE/DISC
 1760300 TRAILER, 200BR/SD-04 GALV W/DISC BRAKES PRL

W.S.TOWER W/INTEGRAL BIMINI/WAKEBOARD RACKS

1848923 CANVAS, 200/220SEL BIM TOP BOOT W/TWR BLK-S
 1848892 CANVAS, 200/220SEL-07 BIM TOP W/TWR N/ZIP BLK
 1786804 HARNESS, TOWER 137"
 1745125 LABEL, SKI TOW ROPE BACKLASH
 1783635 SUPPORT, SR-05 ALUM WAKEBOARD RACK ANODIZED
 1212729 TIE, CABLE 14" BLK W/SS BARB
 1756508 TOWER, 200SEL WTR SPRTS HDWR KIT
 1849549 TOWER, 200SEL-07 ALUM WTR SPRT W/LGHT N/SNAPS
 1785967 VINYL FILM, 200SEL-05 PLAS CVR W/VENTS W/TWR
 1144179 VINYL, SEABROOK D SEA SHELL EXP 1/4" F/B

GALVANIZED TRAILER W/ DISC BRAKES

1760300 TRAILER, 200BR/SD-04 GALV W/DISC BRAKES PRL

PREMIUM TRAILER W/ DISC BRAKES

1671510 TRAILER, 200BR/SD TNDM PNTD W/BRKS BLUE UPGR