

2005 200SD

PARTS MANUAL

200

SUNDECK®



Sea Ray® Parts Manual, 2005 200 SUNDECK MRP # 1774971

Sea Ray Boats, 2600 Sea Ray Blvd., Knoxville, TN 37914. For information call 1-800-SRBOATS or fax 1-314-213-7878 (USA and International).

Internet address: <http://www.searay.com>

Note: Not all accessories shown in pictures or described herein are standard equipment or even available as options.

Options and features are subject to change without notice.

Confirm the availability of all accessories and equipment with an authorized Sea Ray® dealer.

2005 200 SUNDECK

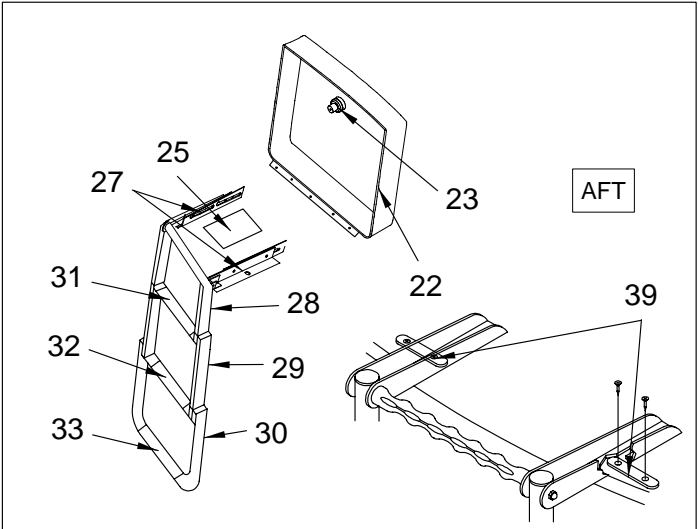
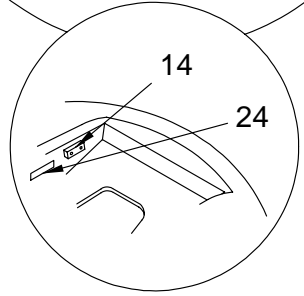
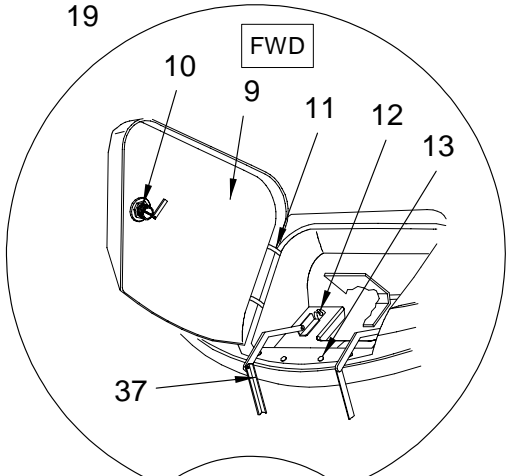
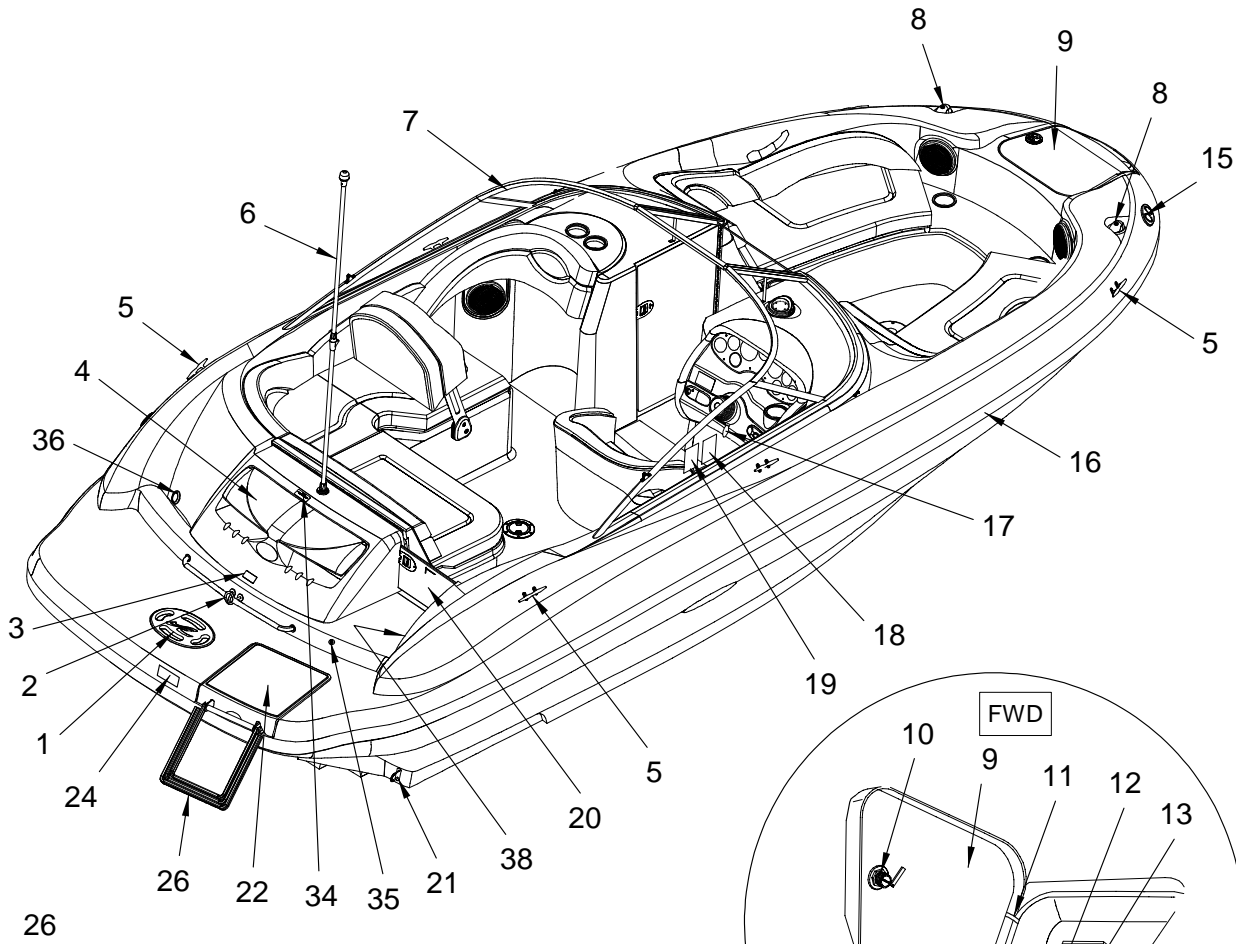
TABLE OF CONTENTS



<u>STANDARD & OPTIONAL LAYOUTS</u>	<u>PAGE</u>
EXTERIOR.....	1, 2
EXTERIOR GRAPHICS.....	3
WATER SPORTS TOWER.....	4
CANVAS (BLACK).....	5, 6
CANVAS (BLUE).....	7, 8
CANVAS (GREEN).....	9, 10
CANVAS (RED).....	11, 12
COCKPIT (PORT VIEW).....	13, 14
COCKPIT (FORWARD STARBOARD VIEW).....	15, 16
INSTRUMENT PANEL.....	17
SWITCH PANEL (PORT).....	18
SWITCH PANEL (STARBOARD).....	19
COCKPIT (AFT PORT VIEW).....	20, 21
COCKPIT (AFT STARBOARD VIEW).....	22, 23
MULTI-INFO PACKET.....	24
COCKPIT (SNAP-IN CARPET LINER).....	25
COCKPIT (UPHOLSTERY).....	26, 27
TELLICO HARDWARE.....	28, 29
TELLICO HARDWARE (CONTINUED).....	30, 31
TELLICO HARDWARE (CONTINUED 1).....	32, 33
BILGE.....	34
STEERING SYSTEM.....	35
FUEL SYSTEM.....	36

<u>OPTIONS - PARTS LIST</u>	<u>PAGE</u>
350 MAG MPI ALPHA (300 PHP) MCM STERN DR.....	37
4.3L MPI ALPHA (220 PHP) MCM STERN DRIVE.....	37
5.0L MPI ALPHA (260 PHP) MCM STERN DRIVE.....	37
5.0L MPI BR 3 (260 PHP) MCM STERN DRIVE.....	37
2ND STEREO REMOTE CONTROL -TRANSOM.....	37
PREMIER STEREO UPGRADE W/ AMP & SUBWOOFER.....	37
STEERING WHEEL - VESSEL CONTROL SYSTEM.....	37
17" VENEGANCE PROP.....	37
22" BRAVO 3 SET (2 COUNTER ROTATING PROPS).....	37
24" BRAVO 3 SET (2 COUNTER ROTATING PROPS).....	37
PREMIUM TRAILER W/ 2ND AXLE DISC BRAKES.....	37
TWO TONE GELCOAT GRAPHICS.....	37
PORTABLE HEAD.....	37
FILLER CUSHIONS.....	37
SIRIUS SATELLITE RADIO.....	37
SPEAKERS FOR WATER SPORTS TOWER.....	37
BATTERY ON / OFF SWITCH.....	37
FIRE SUPPRESSION SYSTEM - AUTOMATIC.....	37
1.62 TO 1 HIGH ALTITUDE GEAR RATIO FOR 350.....	37
COCKPIT COVER W/ TONNEAU COVER.....	37
COMPASS.....	37
BIMINI CANVAS PACKAGE.....	37
TRANSOM TRIM SWITCH.....	37
CD CHANGER, 6 DISC.....	37
*****.....	37
C E OPTION GROUP.....	37
C E FIRE SYSTEM - EUROPEAN DEALERS ONLY.....	37
1.81 TO 1 HIGH ALTITUDE GEAR RATIO.....	37
2.43 TO 1 BRAVO 3 HIGH ALTITUDE GEAR RATIO.....	37
FORWARD BIMINI TOP & BOOT.....	37
OWNER ORIENTATION VIDEO - PAL FORMAT.....	37
CANADIAN CONFORMITY STICKER.....	37
COCKPIT TABLE W/ DEDICATED STORAGE.....	37, 38
SWIM LADDER - BOW.....	38
PAINTED TRAILER W/ SECOND AXLE BRAKES.....	38
GALVANIZED TRAILER W/2ND AXLE DISC BRAKES.....	38
WATER SPORTS TOWER W/WAKEBOARD RACKS.....	38
GALVANIZED TRAILER W/ DISC BRAKES.....	38
PREMIUM TRAILER W/ DISC BRAKES.....	38

EXTERIOR



EXTERIOR

1	1291103	INSERT, HDPE SWMPLTFM W/SR LOGO PRL
2	1747837	RAIL, STERN W/SKI TOW POLISHED 316L
	1473040	PLATE, BACKING UNIVERSAL 3/16"
3	1745125	LABEL, SKI TOW ROPE BACKLASH
4	1685944	COVER, DR/ABS 220SD-02 BILGE VENT PRL
5	1777986	CLEAT, 6" SEA RAY SS 2-BOLT
	1473040	PLATE, BACKING UNIVERSAL 3/16"
6	1734685	LIGHT, NAV A/R STERN 84" FLDABLE 7DEG
	1628536	BULB, REPL FOR #1603398
	1771001	LIGHT, BASE ROUND NAV STERN LIGHT CHR W/CONN
7	1776723	W/S, 200SD-05 PRT FRNT W/SNAP CLICK TRK
	1776724	W/S, 200SD-05 STB FRNT W/SNAP CLICK TRK
	1776725	W/S, 200SD-05 DOOR W/SNAP CLICK TRK
	1784259	W/S, 200SD-05 HDWR KIT
	1785544	VINYL, W/S GASKET 2005
	1783818	200SD 05.STRAP,W/S BLK W/SNAPS CMPLT
	1791388	DECAL, MERCURY CERTIFIED INSTALLER
8	1771013	LIGHT, NAV SIDE SS HORZ 12V W/CONN
	1798179	LIGHT, NAV SIDE SS LENS CVR ONLY(RED/PRT)
	1798182	LIGHT, NAV SIDE SS LENS CVR ONLY(GRN/STB)
	1423946	BULB, REPL FOR #1414895 12V
9	1783815	200SD 05.HATCH,ROPE LCKR BOW FBRGLS
	1761035	HINGE, SS CONT 2"X 10" X 1/2" KNUC POLISHED
	126870	VENT, CLAMSHELL ROPE LCKR 1 5/8"X 1.5"
10	1781437	LATCH, COMPRESSION 2"XLOCKING SS (ORDER LATCH, PLATE AND CATCH FOR COMPLETE LATCH)
	1781439	CATCH, PAWL 2"OFFSET SHORT SS
	1781440	PLATE, DEEP BRKT 2"XHDWR PKG SS
11	1761035	HINGE, SS CONT 2"X 10" X 1/2" KNUC POLISHED
	1783817	200SD 05.STRAP,ROPE LCKR HATCH BOW BLK
12	590646	CLIP, POLE STRG BLK - MAST LIGHT
13	1763338	BUMPER, FWD LADDER HATCH PEARL
14	1291160	CLEAT, HDPE 3/4"X 1"X 4" PRL
15	1783020	HORN, DUAL STACKED BLK W/PACKARD CONN
	1781252	HORN, GRILL SGL SS OVERLAY SERIES 84400-1
16	1752253	RUBRAIL, PVC PEARL 18"SS INSERT 1.825"W
	1675313	TAPE, NORSEAL 0.125"X 7/8"X 100' SWIVEL FREE
	1095959	INSERT, RUB RAIL SS 3/4"X 10" (.062/304SS)
	1080100	INSERT, RUB RAIL SS 3/4"X 12" (.062/304SS)
17	129122	LABEL, NMMA CERTIFIED
18	1750454	DECAL, SEA RAY OWNERS CLUB (NBOA) RV
19	1750455	DECAL, STRUCTURAL WARRANTY SPRTBT
20	1778668	DOOR, PLEX 200SD-05 TRNSM W/HINGE PRL
	1611490	LATCH, #7756 OMNI FLAT 1/2" N/ LCK
	1684897	STRIKER, #7742 SS FOR OMNI FLAT CLSD POSTN
	1684898	DOOR KEEPER, #7729 BLK PLAS FOR OMNI 1/2"
21	126599	EYE, STERN 1/2"X 3 7/16" W/BACKING PLATE
	1473040	PLATE, BACKING UNIVERSAL 3/16"
22	1783816	200SD 05.HATCH,SWIM LADDER TRNSM FBRGLS
	1749855	HINGE, SS CONT 2"X 14.5" X 1/2" KNUC POLISHED
23	1118314	CATCH, RBR SUNPAD HOLD-DOWN
	1760140	SHIM, PVC LADDER HATCH CATCH 1/2" WHT
24	1745519	LABEL, DANGER SHUT OFF ENG WHEN NEAR SWIMMERS
25	1573112	LABEL, LADDER MAINTENANCE
26	1473750	LADDER, SWIM 3-STEP SS CONCEALED REV2 GUDGNS
	1798013	LADDER, SWIM 3 STEP SS SR CUSTOM STEP TREADS
	1682293	LADDER, SWIM HDWR KIT FOR MRP #1473750
	1688850	PLATE, ALUM 1/4"X 2"X 10.5" HOLES TAPPED
27	1225838	LADDER, SWIM ANGLE STOP SS STBD
	1225804	LADDER, SWIM ANGLE STOP SS PORT
	1225820	LADDER, SWIM SLIDE BUTTERFLY
28	1225770	LADDER, SWIM TOP "U"
29	1225762	LADDER, SWIM MID "U"
	1225796	LADDER, SWIM GUIDE 1/2" MID
	1225812	LADDER, SWIM GUIDE SS 7/8" MID
30	1225788	LADDER, SWIM BTM "U"
	1225754	LADDER, SWIM GUIDE SS BTM
31	973446	LADDER, TREAD 10 3/8"
32	909317	LADDER, TREAD 11.75"
33	909325	LADDER, TREAD 12 7/8"
34	1745515	LABEL, WARNING DO NOT STAND/WALK THIS AREA
35	1628858	BUMPER, WHITE ROUND W/#6 TRUSS HEAD
36	1755469	STEREO, REMOTE CNTRL W/DIG DSPLY FOR XMD3 BLK
	1312750	CABLE, CLARION REMOTE EXTENSION CABLE 24'
	935080	CABLE, CLARION DUAL REMOTE "Y"
37	1155282	LADDER, SWIM 3-STEP POCKET PRL NYLON COATING (BOW SWIM LADDER COMPLETE - REPLACEMENT PARTS LISTED BELOW)
	1229335	LADDER, SWIM BRKT RH
	1229343	LADDER, SWIM BLOCK NYLON STOP

37	1229350	LADDER, SWIM HDWR KIT FOR MRP #1155282/808782
	1229368	LADDER, SWIM BRKT LH
	1229376	LADDER, SWIM ARM LH
	1229384	LADDER, SWIM ARM RH
	1229392	LADDER, SWIM STEP RIBBED "U"
	1229400	LADDER, SWIM UPR SECTION
	1229418	LADDER, SWIM LWR SECTION
38	747261	SWITCH, TILT EXTERNAL MOUNT (TRANSOM TRIM SWITCH)
	157214	SCREW, TAPPING #8A X 3/4" POH SS/BLK (TRANSOM TRIM SWITCH)
39	1798635	BUMPER, 05 LADDER HATCH PEARL (USED ON AFT AND FWD SWIMLADDER)

NOT SHOWN

1756505	TOWER, 200SD-03 WTR SPRTS HDWR KIT (WATER SPORTS TOWER OPTION)
1781319	TOWER, 200SD-05 ALUM WTR SPRTS W/STERN LIGHT (WATER SPORTS TOWER OPTION)
274373	BUMPER, CANOE CLIP MED WHT
1783635	SUPPORT, SR-05 ALUM WAKEBOARD RACK ANODIZED (WATER SPORTS TOWER OPTION)
1786803	HARNES, TOWER 87" (WATER SPORTS TOWER OPTION)
1752922	RAIL, STERN 200SD-03 W/SKI TOW PLSHD 361L

SEALANTS, CAULK AND SILICONE

156992	SEALANT, SILICONE BLK RTV 10.3OZ
157008	SEALANT, SILICONE CLEAR RTV 10.3OZ

UPHOLSTERY MATERIALS

156893	WEBBING, POLYPROPYLENE 1" BLACK
--------	---------------------------------

TRAILERS

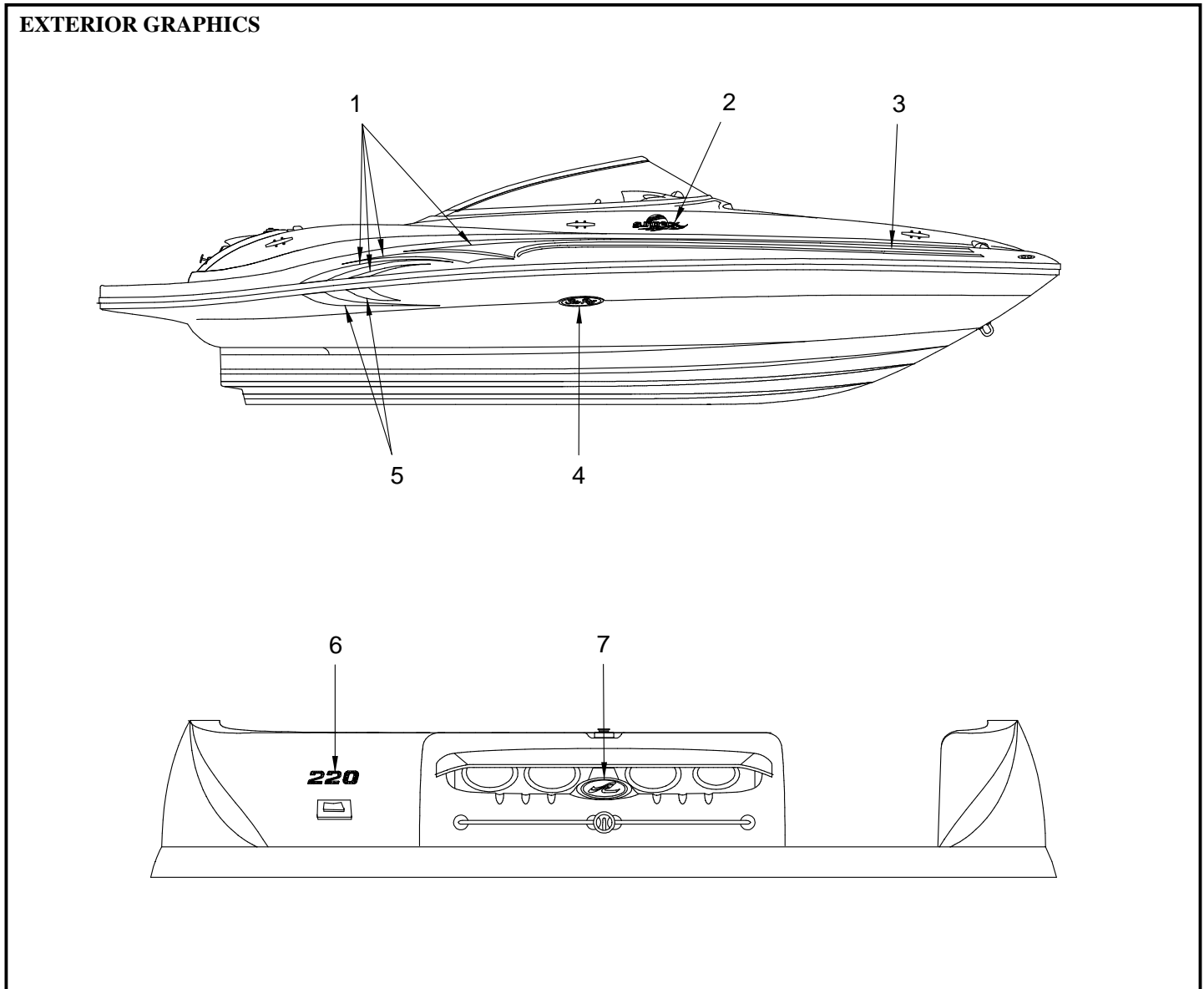
1758417	TRAILER, 200BR/SD TNDM PNTD W/BRKS BLK
1784451	TRAILER, 200SEL/SD-05 TNDM PNTD W/BRKS BLUE
1758415	TRAILER, 200BR/SD TNDM PNTD W/BRKS GRN
1758416	TRAILER, 200BR/SD TNDM PNTD W/BRKS RED
557991	TIE DOWN, TRAILER STRAP 2" X 37" W/JAY HOOK
1469543	BRAKE KIT, TRAILER TNDM AXLE-01 (PAINTED TRAILER W/SECOND AXLE BRAKES)
1760300	TRAILER, 200BR/SD-04 GALV W/DISC BRAKES PRL (GALVANIZED TRAILER W/DISC BRAKES)
1671502	TRAILER, 200BR/SD TNDM PNTD W/BRKS BLK UPGR (PREMIUM TRAILER W/ DISC BRAKES)
1784452	TRAILER, 200SEL/SD-05 TNDM PNTD W/BRKS BLU/UP (PREMIUM TRAILER W/ DISC BRAKES)
1671528	TRAILER, 200BR/SD TNDM PNTD W/BRKS GRN UPGR (PREMIUM TRAILER W/ DISC BRAKES)
1754134	TRAILER, 200BR/SD TNDM PNTD W/BRKS RED UPGR (PREMIUM TRAILER W/ DISC BRAKES)
1642404	BRAKE KIT, TRAILER TNDM AXLE/DISC (2ND AXLE DISC BRAKE KIT)

VAC PACK

1737481	VINYL FILM, 200SD-03 PLAS CVR W/VENTS
1727511	EMBLEM, VACPAC SR LOGO W/ISO/CE SML
1734620	TAPE, VAC PAK WHT (2"X 180') FLAME RETARDANT
1691151	TAPE, VAC PAK WHT (4"X 180') FLAME RETARDANT

NOT SHOWN

1690996	FLANGE, RED BRASS DRAIN PLUG 1.25"
---------	------------------------------------



EXTERIOR GRAPHICS

- 1 1779895 TAPE, APP 220SD-05 SLVRMET/BLK PRT DECK
- 1779894 TAPE, APP 220SD-05 SLVRMET/BLK STB DECK
- 2 1779890 TAPE, LOGO SUNDECK URETH BLK/CHR
- 3 1779891 TAPE, M/S 1.5"W1/4"VOID SLVRMET/BLK
- 4 1443183 EMBLEM, "SEA RAY" SCRIPT HULL LOGO CHR 13"
- 1210558 TAPE, SOLID 1/4" PEARL GEL
- 5 1779892 TAPE, APP 220SD-05 SLVRMET/BLK STB HULL
- 1779893 TAPE, APP 220SD-05 SLVRMET/BLK PRT HULL
- 6 1628619 EMBLEM, MODEL DESG 200 PRO URETHANE BLK W/CHR
- 7 1443191 EMBLEM, S/R WAVE 5" OVAL CHR TRNSM

GELCOATS (continued)

- 1784621 GEL COAT, NEW PEWTER ARMORCOTE
(TWO TONE GELCOAT GRAPHICS)

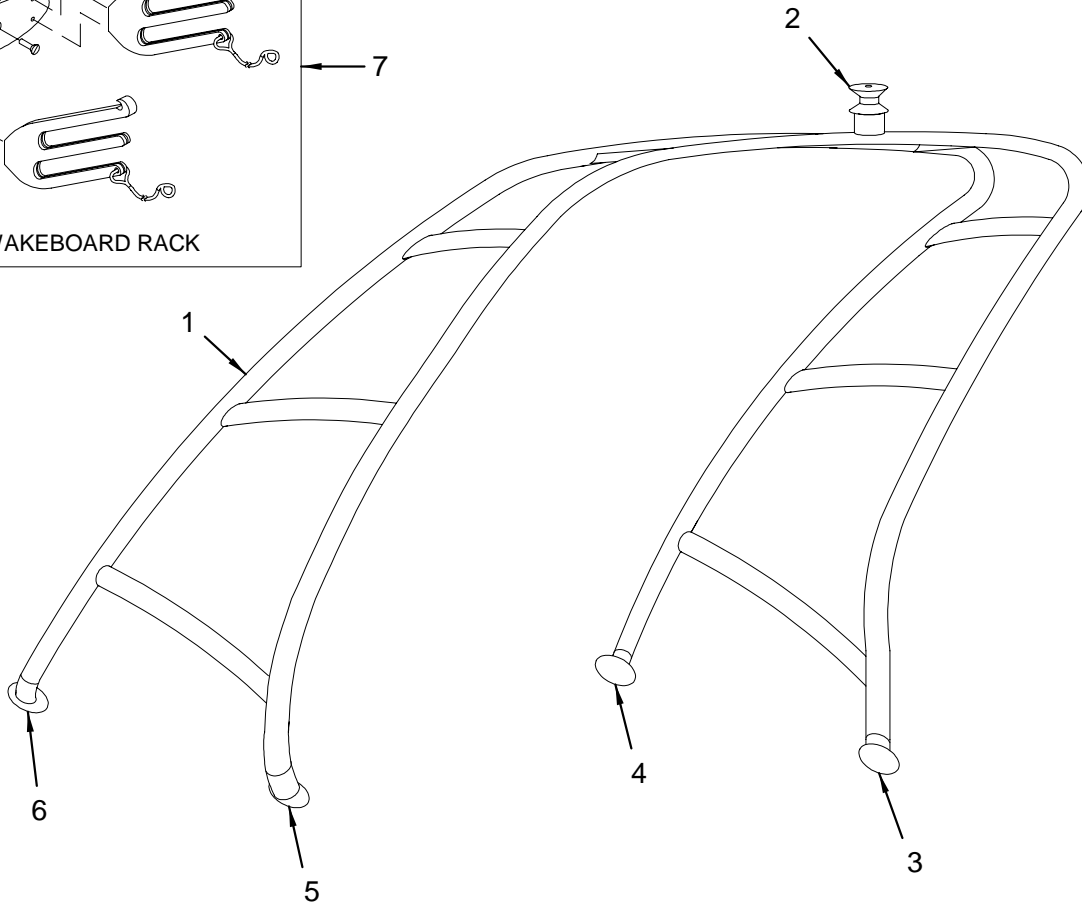
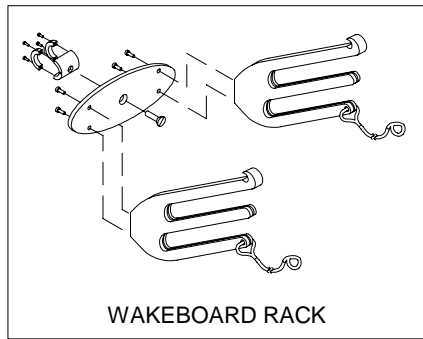
NOT SHOWN KITS

- 1782378 GRAPHICS KIT, 200SD/220SD-05 SLVRMET/BLK
(NOTE: KIT DOES NOT INCLUDE M/S TAPES)

GELCOATS

- 1558469 GEL COAT, MAXGUARD LE PEARL
- 1753670 GEL COAT, NICKLE ARMORCOTE
(DASH)
- 1690845 GEL COAT, JET BLK
(TWO TONE GELCOAT GRAPHICS)
- 1687628 GEL COAT, MAXGUARD MIDNIGHT BLUE
(TWO TONE GELCOAT GRAPHICS)
- 1310424 GEL COAT, HNTR GRN
(TWO TONE GELCOAT GRAPHICS)
- 1690265 GEL COAT, RED ARMORCOTE
(TWO TONE GELCOAT GRAPHICS)
- 1690266 GEL COAT, YELLOW ARMORCOTE
(TWO TONE GELCOAT GRAPHICS)

WATER SPORTS TOWER



WATER SPORTS TOWER

- 1 1781319 TOWER, 200SD-05 ALUM WTR SPRTS W/STERN LIGHT
- 1792995 LIGHT, ASSY WTR SPRTS TWR
- 1792997 LENS COVER, LIGHT WTR SPRTS TWR
- 1786803 HARNESS, TOWER 87"
- 1792998 SKI TOW BASE, ASSY WTR SPRT TWR
- 1792999 SKI TOW BASE, TOP ONLY WTR SPRTS TWR
- 1793000 SKI TOW BASE, NYLON BASE ONLY WTR SPRTS TWR
- 1793002 SKI TOW BASE, WELDED PIECE WTR SPRTS TWR
- 1756512 TOWER, 220SD-03 WTR SPRTS HDWR KIT
(SEE HARDWARE FOR SEPARATE COMPONENTS)
- 2 1773140 SKI TOW ASSY, SUNDECK SPRT BOAT WTR TOWER
- 3 1773141 TOWER, SUNDECK SPRT BOAT PAD ASSY STB AFT
- 1762805 SCREW, CAP 3/8" SCH UNC WTR SPRTS TWR
- 1762804 WASHER, WATER SPORTS TWR LEG NYLON
- 4 1773142 TOWER, SUNDECK SPRT BOAT PAD ASSY STB BOW
- 1762805 SCREW, CAP 3/8" SCH UNC WTR SPRTS TWR
- 1762804 WASHER, WATER SPORTS TWR LEG NYLON
- 5 1773143 TOWER, SUNDECK SPRT BOAT PAD ASSY PRT AFT
- 1762805 SCREW, CAP 3/8" SCH UNC WTR SPRTS TWR
- 1762804 WASHER, WATER SPORTS TWR LEG NYLON
- 6 1773144 TOWER, SUNDECK SPRT BOAT PAD ASSY PRT BOW
- 1762805 SCREW, CAP 3/8" SCH UNC WTR SPRTS TWR
- 1762804 WASHER, WATER SPORTS TWR LEG NYLON
- 7 1783635 SUPPORT, SR-05 ALUM WAKEBOARD RACK ANODIZED
(INDIVIDUAL COMPONENTS NOT SOLD SEPARATELY AT THIS TIME)

7 1443191 EMBLEM, S/R WAVE 5" OVAL CHR TRNSM

HARDWARE

- 1747371 BOLT, WATER SPORTS TWR 1/4-20-3"
- 1747372 NUT, NYLON LOCK 1/4-20 WTR SPRTS TWR
- 1747373 WASHER, WATER SPORTS TWR 1/4-20 FENDER
- 1762807 PLATE, BACKING WTR SPRTS TWR SR
- 1762808 GASKET, WATER SPORTS TWR OVAL MNT

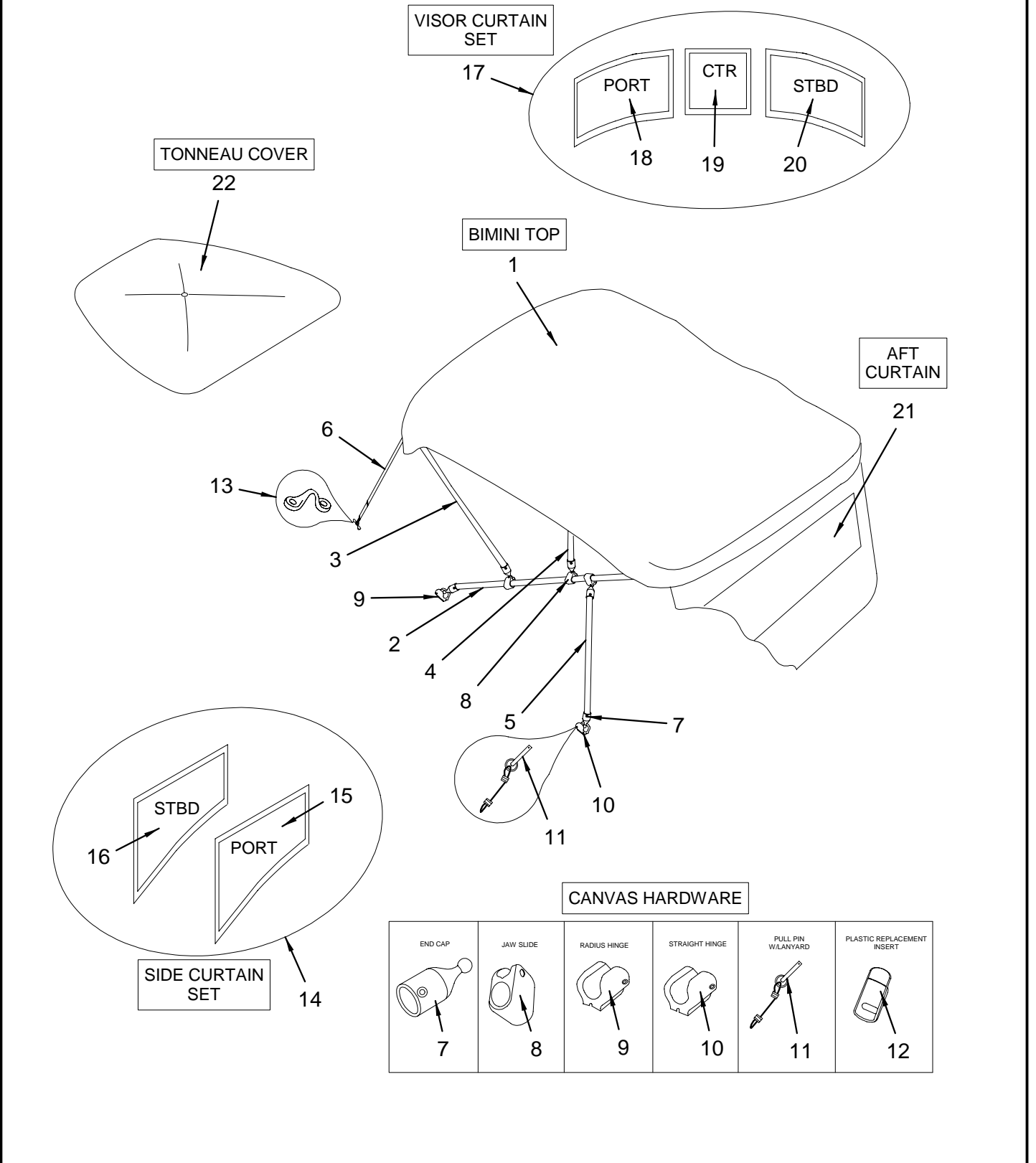
LABEL

1745125 LABEL, SKI TOW ROPE BACKLASH

NOT SHOWN

- 126870 VENT, CLAMHELL ROPE LCKR 1 5/8"X 1.5"
- 1785694 VINYL FILM, 220SD-05 PLAS CVR W/VENTS W/TWR

CANVAS (BLACK)



CANVAS (BLACK)

1	1759705	CANVAS, 200SD-04 BIM TOP BLK
	1760578	CANVAS, 200SD-04 BIM TOP FAB BLK
	1759706	CANVAS, 200SD-04 BIM TOP BOOT BLK
2	1759977	CANVAS, 200SD-04 BIM TOP BOW W/HDWR (BIMINI TOP BOW SET W/HDWR)
	1759978	CANVAS, 200SD-04 BIM TOP MAIN BOW W/HDWR
	1760610	CANVAS, CINCH STRAP W/GROMMET
	1759982	CANVAS, 200SD-04 BIM TOP HDWR MOUNT PKG
3	1759979	CANVAS, 200SD-04 BIM TOP BOW2 W/HDWR
4	1759980	CANVAS, 200SD-04 BIM TOP BOW3 W/HDWR
5	1759981	CANVAS, 200SD-04 BIM TOP REAR STANCH
6	1760352	CANVAS, 200SD-04 BIM TOP FWD STRAP BLK
7	1760354	CAP, SS EYE END BALL/SOCKET TYPE
8	1760355	SLIDE, JAW SLIDE BALL/SOCKET TYPE SS
	1760596	SCREW, SLOT PAN BALL/SOCKET JAW SLIDE
9	1760357	HINGE, DECK RADIUS BALL/SOCKET TYPE SS
10	1760356	HINGE, DECK FLAT BALL/SOCKET TYPE SS
11	1760595	PIN, PULL BALL/SOCKET TYPE W/RING LNYRD BLK
12	1760358	INSERT, DECK HINGE BALL/SOCKET BLK
13	195412	EYE, STRAP EYE (SNAP EYE) CHROME (CONV TOP)
14	1780182	CANVAS, 200SD-05 SIDE CURT SET BLK
15	1787721	CANVAS, 200SD-05 SIDE CURT PRT BLK
16	1787722	CANVAS, 200SD-05 SIDE CURT STB BLK
17	1780178	CANVAS, 200SD-05 VSR CURT 3PC CLR/BLK
18	1787723	CANVAS, 200SD-05 VSR CURT PRT CLR/BLK
19	1787724	CANVAS, 200SD-05 VSR CURT CTR CLR/BLK
20	1787726	CANVAS, 200SD-05 VSR CURT STB CLR/BLK
21	1759711	CANVAS, 200SD-04 AFT CURT BLK
22	1759713	CANVAS, 200SD-04 TONNEAU CVR BLK
	1759707	CANVAS, 200SD-04 TONNEAU CVR W/SNPS BLK (WITH SNAPS INSTALLED-NEW INSTALLATION NOT FOR REPLACEMENT)
	148429	POLE, TONNEAU COVER SUPPORT ADJ

CAMPER CANVAS PACKAGE

	1783641	CANVAS, 200SD-05 CAMP TOP BLK
	1783642	CANVAS, 200SD-05 CAMP TOP BOOT BLK

CANVAS RAW MATERIAL

	1616341	CANVAS, SUNBRELLA BLACK 60" BLK
	1645456	CANVAS, SEAMARK BLACK "W/BC

COCKPIT COVER SUPPORT POLE

	148411	POLE, CKPT CVR SUPPORT ADJ
--	--------	----------------------------

COCKPIT COVER W/O SNAPS

	1759712	CANVAS, 200SD-04 CPC N/SNPS BLK
--	---------	---------------------------------

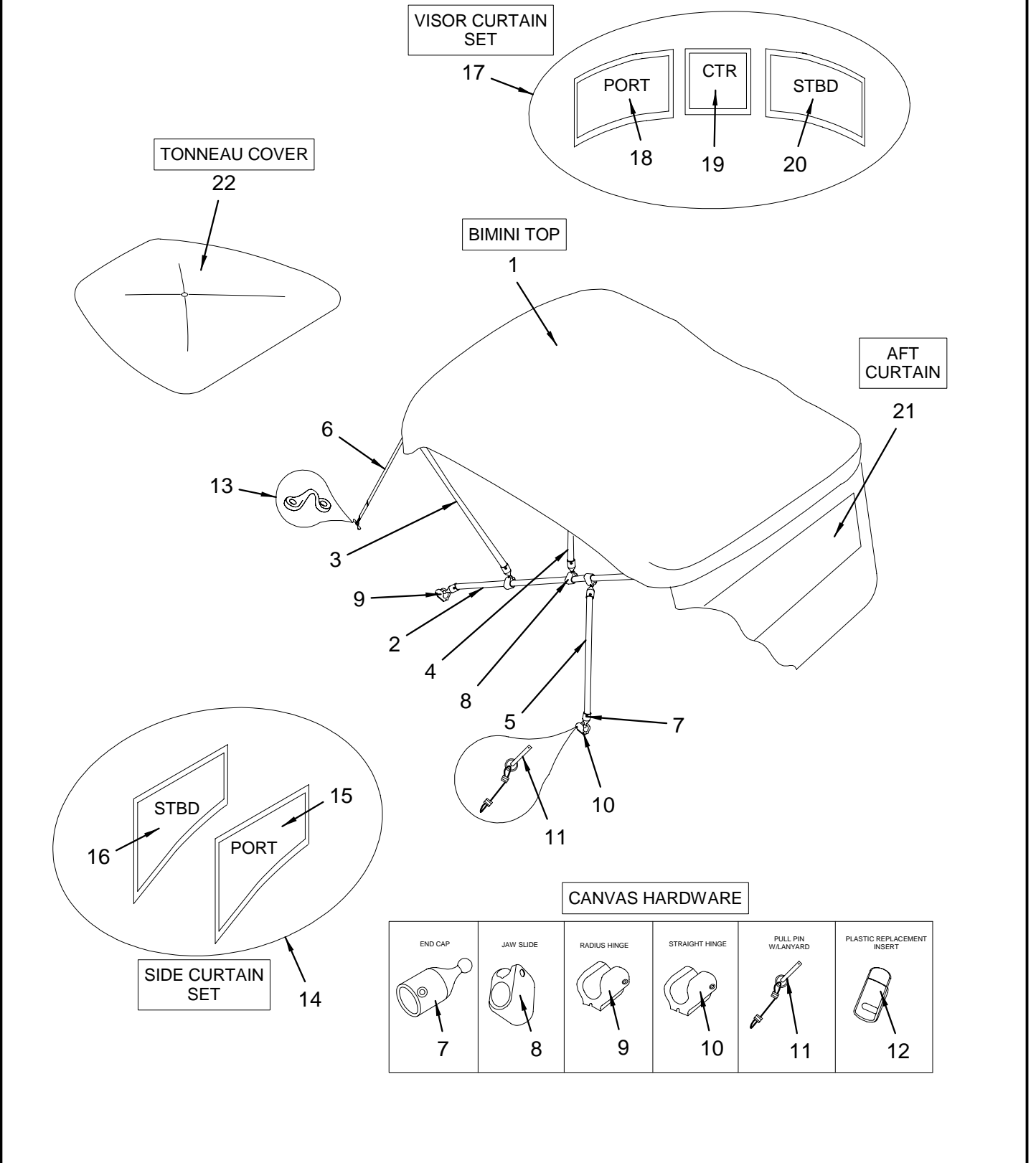
COCKPIT COVER W/SNAPS

	1759708	CANVAS, 200SD-04 CPC W/SNPS BLK
--	---------	---------------------------------

STORAGE BAG

	1092162	CANVAS, STRG BAG 12X38 CLOUDBRST TONNEAU/CKPT
	878652	CANVAS, SPBOAT STRG BAG 10X70 XLRG GREY 97

CANVAS (BLUE)



CANVAS HARDWARE

END CAP	JAW SLIDE	RADIUS HINGE	STRAIGHT HINGE	PULL PIN W/LANYARD	PLASTIC REPLACEMENT INSERT
7	8	9	10	11	12

CANVAS (BLUE)

1	1778122	CANVAS, 200SD-05 BIM TOP CAP NAVY
	1784905	CANVAS, 200SD-05 BIM TOP FAB CAPT NAVY
	1778123	CANVAS, 200SD-05 BIM TOP BOOT CAP NAVY
2	1759977	CANVAS, 200SD-04 BIM TOP BOW W/HDWR (BIMINI TOP BOW SET W/HDWR)
	1759978	CANVAS, 200SD-04 BIM TOP MAIN BOW W/HDWR
	1760610	CANVAS, CINCH STRAP W/GROMMET
	1759982	CANVAS, 200SD-04 BIM TOP HDWR MOUNT PKG
3	1759979	CANVAS, 200SD-04 BIM TOP BOW2 W/HDWR
4	1759980	CANVAS, 200SD-04 BIM TOP BOW3 W/HDWR
5	1759981	CANVAS, 200SD-04 BIM TOP REAR STANCH
6	1760352	CANVAS, 200SD-04 BIM TOP FWD STRAP BLK
7	1760354	CAP, SS EYE END BALL/SOCKET TYPE
8	1760355	SLIDE, JAW SLIDE BALL/SOCKET TYPE SS
	1760596	SCREW, SLOT PAN BALL/SOCKET JAW SLIDE
9	1760357	HINGE, DECK RADIUS BALL/SOCKET TYPE SS
10	1760356	HINGE, DECK FLAT BALL/SOCKET TYPE SS
11	1760595	PIN, PULL BALL/SOCKET TYPE W/RING LNYRD BLK
12	1760358	INSERT, DECK HINGE BALL/SOCKET BLK
13	195412	EYE, STRAP EYE (SNAP EYE) CHROME (CONV TOP)
14	1778127	CANVAS, 200SD-05 SIDE CURT SET CAP NAVY
15	1787727	CANVAS, 200SD-05 SIDE CURT PRT CAPT NAVY
16	1787728	CANVAS, 200SD-05 SIDE CURT STB CAPT NAVY
17	1778126	CANVAS, 200SD-05 VSR CURT 3PC CLR/CAPT NAVY
18	1787729	CANVAS, 200SD-05 VSR CURT PRT CLR/CAPT NAVY
19	1787730	CANVAS, 200SD-05 VSR CURT CTR CLR/CAPT NAVY
20	1787731	CANVAS, 200SD-05 VSR CURT STB CLR/CAPT NAVY
21	1778128	CANVAS, 200SD-05 AFT CURT CAP NAVY
22	1778124	CANVAS, 200SD-05 TONNEAU CVR CAP NAVY
	148429	POLE, TONNEAU COVER SUPPORT ADJ

CAMPER CANVAS PACKAGE

	1783637	CANVAS, 200SD-05 CAMP TOP CAPT NAVY
	1783638	CANVAS, 200SD-05 CAMP TOP BOOT CAPT NAVY

CANVAS RAW MATERIAL

	1193762	CANVAS, SUNBRELLA MEDITERRANEAN TWEED 60"BLUE
	1193770	CANVAS, SEAMARK MEDITERRANEAN TWEED 60"W/BC

COCKPIT COVER SUPPORT POLE

	148411	POLE, CKPT CVR SUPPORT ADJ
--	--------	----------------------------

COCKPIT COVER W/O SNAPS

	1778129	CANVAS, 200SD-05 CPC N/SNPS CAP NAVY
--	---------	--------------------------------------

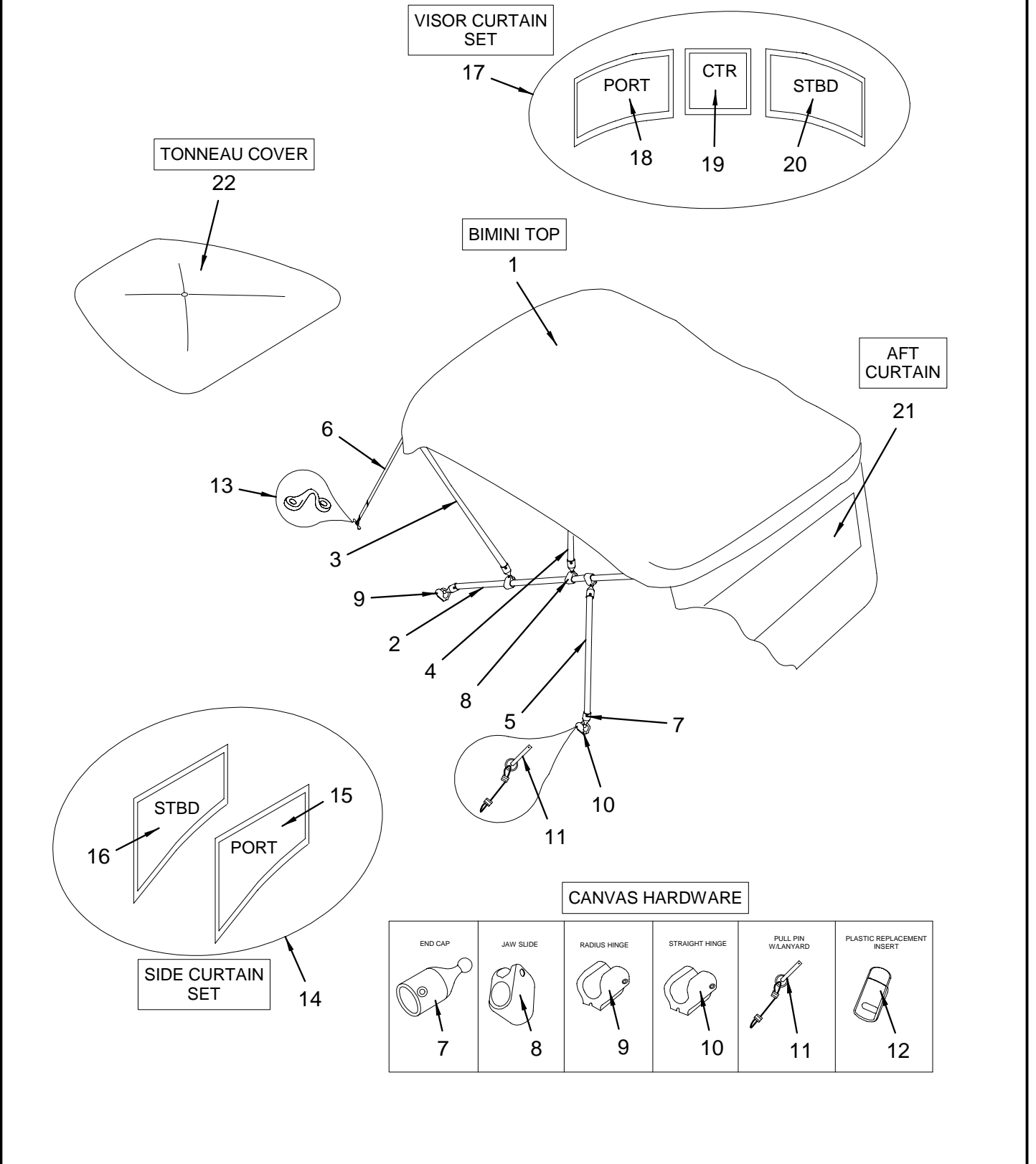
COCKPIT COVER W/SNAPS

	1778125	CANVAS, 200SD-05 CPC W/SNPS CAP NAVY
--	---------	--------------------------------------

STORAGE BAG

	1092162	CANVAS, STRG BAG 12X38 CLOUDBRST TONNEAU/CKPT
	878652	CANVAS, SPBOAT STRG BAG 10X70 XLRG GREY 97

CANVAS (GREEN)



CANVAS (GREEN)

1	1754447	CANVAS, 200SD-04 BIM TOP HNTR
	1760194	CANVAS, 200SD-04 BIM TOP FAB HNTR
	1754452	CANVAS, 200SD-04 BIM TOP BOOT HNTR
2	1759977	CANVAS, 200SD-04 BIM TOP BOW W/HDWR (BIMINI TOP BOW SET W/HDWR)
	1759978	CANVAS, 200SD-04 BIM TOP MAIN BOW W/HDWR
	1760610	CANVAS, CINCH STRAP W/GROMMET
	1759982	CANVAS, 200SD-04 BIM TOP HDWR MOUNT PKG
3	1759979	CANVAS, 200SD-04 BIM TOP BOW2 W/HDWR
4	1759980	CANVAS, 200SD-04 BIM TOP BOW3 W/HDWR
5	1759981	CANVAS, 200SD-04 BIM TOP REAR STANCH
6	1760352	CANVAS, 200SD-04 BIM TOP FWD STRAP BLK
7	1760354	CAP, SS EYE END BALL/SOCKET TYPE
8	1760355	SLIDE, JAW SLIDE BALL/SOCKET TYPE SS
	1760596	SCREW, SLOT PAN BALL/SOCKET JAW SLIDE
9	1760357	HINGE, DECK RADIUS BALL/SOCKET TYPE SS
10	1760356	HINGE, DECK FLAT BALL/SOCKET TYPE SS
11	1760595	PIN, PULL BALL/SOCKET TYPE W/RING LNYRD BLK
12	1760358	INSERT, DECK HINGE BALL/SOCKET BLK
13	195412	EYE, STRAP EYE (SNAP EYE) CHROME (CONV TOP)
14	1780180	CANVAS, 200SD-05 SIDE CURT SET HNTR
15	1787732	CANVAS, 200SD-05 SIDE CURT PRT HNTR
16	1787733	CANVAS, 200SD-05 SIDE CURT STB HNTR
17	1780177	CANVAS, 200SD-05 VSR CURT 3PC CLR/HNTR
18	1787734	CANVAS, 200SD-05 VSR CURT PRT CLR/HNTR
19	1787736	CANVAS, 200SD-05 VSR CURT CTR CLR/RED
20	1787735	CANVAS, 200SD-05 VSR CURT STB CLR/RED
21	1754462	CANVAS, 200SD-04 AFT CURT HNTR
22	1754454	CANVAS, 200SD-04 TONNEAU CVR HNTR
	148429	POLE, TONNEAU COVER SUPPORT ADJ

CAMPER CANVAS PACKAGE

	1783639	CANVAS, 200SD-05 CAMP TOP HNTR
	1783640	CANVAS, 200SD-05 CAMP TOP BOOT HNTR

CANVAS RAW MATERIAL

	1130061	CANVAS, SUNBRELLA HUNTER TWEED 60" GRN
	1130079	CANVAS, SEAMARK HUNTER TWEED 60" W/BC

COCKPIT COVER SUPPORT POLE

	148411	POLE, CKPT CVR SUPPORT ADJ
--	--------	----------------------------

COCKPIT COVER W/O SNAPS

	1754464	CANVAS, 200SD-04 CPC N/SNPS HNTR
--	---------	----------------------------------

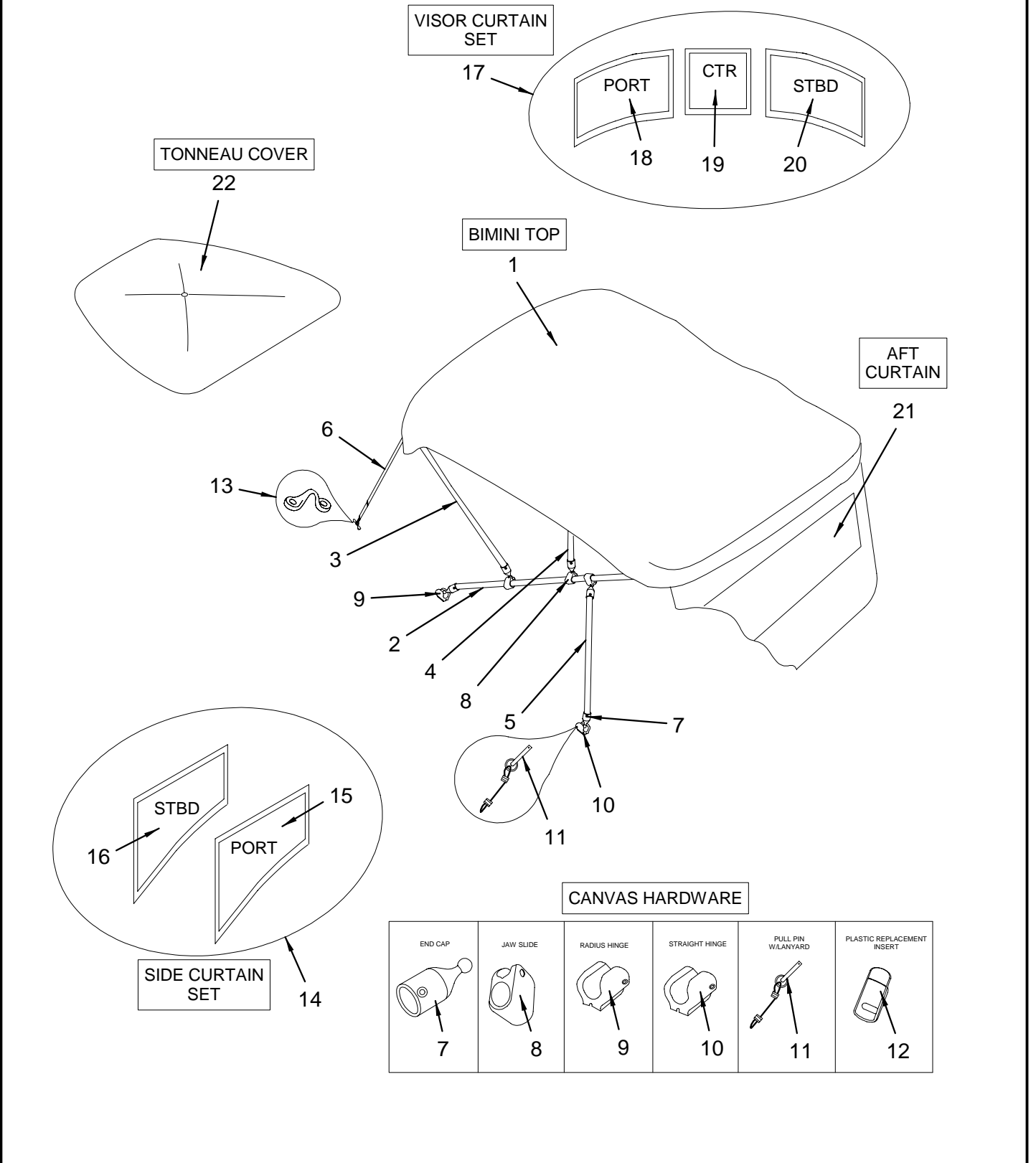
COCKPIT COVER W/SNAPS

	1754456	CANVAS, 200SD-04 CPC W/SNPS HNTR
--	---------	----------------------------------

STORAGE BAG

	1092162	CANVAS, STRG BAG 12X38 CLOUDBRST TONNEAU/CKPT
	878652	CANVAS, SPBOAT STRG BAG 10X70 XLRG GREY 97

CANVAS (RED)



CANVAS HARDWARE

END CAP	JAW SLIDE	RADIUS HINGE	STRAIGHT HINGE	PULL PIN W/LANYARD	PLASTIC REPLACEMENT INSERT
7	8	9	10	11	12

CANVAS (RED)

1	1753314	CANVAS, 200SD-04 BIM TOP RED
	1760577	CANVAS, 200SD-04 BIM TOP FAB RED
	1753315	CANVAS, 200SD-04 BIM TOP BOOT RED
2	1759977	CANVAS, 200SD-04 BIM TOP BOW W/HDWR (BIMINI TOP BOW SET W/HDWR)
	1759978	CANVAS, 200SD-04 BIM TOP MAIN BOW W/HDWR
	1760610	CANVAS, CINCH STRAP W/GROMMET
	1759982	CANVAS, 200SD-04 BIM TOP HDWR MOUNT PKG
3	1759979	CANVAS, 200SD-04 BIM TOP BOW2 W/HDWR
4	1759980	CANVAS, 200SD-04 BIM TOP BOW3 W/HDWR
5	1759981	CANVAS, 200SD-04 BIM TOP REAR STANCH
6	1760352	CANVAS, 200SD-04 BIM TOP FWD STRAP BLK
7	1760354	CAP, SS EYE END BALL/SOCKET TYPE
8	1760355	SLIDE, JAW SLIDE BALL/SOCKET TYPE SS
	1760596	SCREW, SLOT PAN BALL/SOCKET JAW SLIDE
9	1760357	HINGE, DECK RADIUS BALL/SOCKET TYPE SS
10	1760356	HINGE, DECK FLAT BALL/SOCKET TYPE SS
11	1760595	PIN, PULL BALL/SOCKET TYPE W/RING LNYRD BLK
12	1760358	INSERT, DECK HINGE BALL/SOCKET BLK
13	195412	EYE, STRAP EYE (SNAP EYE) CHROME (CONV TOP)
14	1780183	CANVAS, 200SD-05 SIDE CURT SET RED
15	1787739	CANVAS, 200SD-05 SIDE CURT PRT RED
16	1787738	CANVAS, 200SD-05 SIDE CURT STB RED
17	1780179	CANVAS, 200SD-05 VSR CURT 3PC CLR/RED
18	1787737	CANVAS, 200SD-05 VSR CURT PRT CLR/RED
19	1787736	CANVAS, 200SD-05 VSR CURT CTR CLR/RED
20	1787735	CANVAS, 200SD-05 VSR CURT STB CLR/RED
21	1753330	CANVAS, 200SD-04 AFT CURT RED
22	1753322	CANVAS, 200SD-04 TONNEAU CVR RED
	148429	POLE, TONNEAU COVER SUPPORT ADJ

CAMPER CANVAS PACKAGE

	1783643	CANVAS, 200SD-05 CAMP TOP RED
	1783644	CANVAS, 200SD-05 CAMP TOP BOOT RED

CANVAS RAW MATERIAL

	1758791	CANVAS, SUNBRELLA JOCKEY RED #4603 60" W/BC
	1758790	CANVAS, SUNBRELLA JOCKEY RED #4603 60"

COCKPIT COVER SUPPORT POLE

	148411	POLE, CKPT CVR SUPPORT ADJ
--	--------	----------------------------

COCKPIT COVER W/O SNAPS

	1753331	CANVAS, 200SD-04 CPC N/SNPS RED
--	---------	---------------------------------

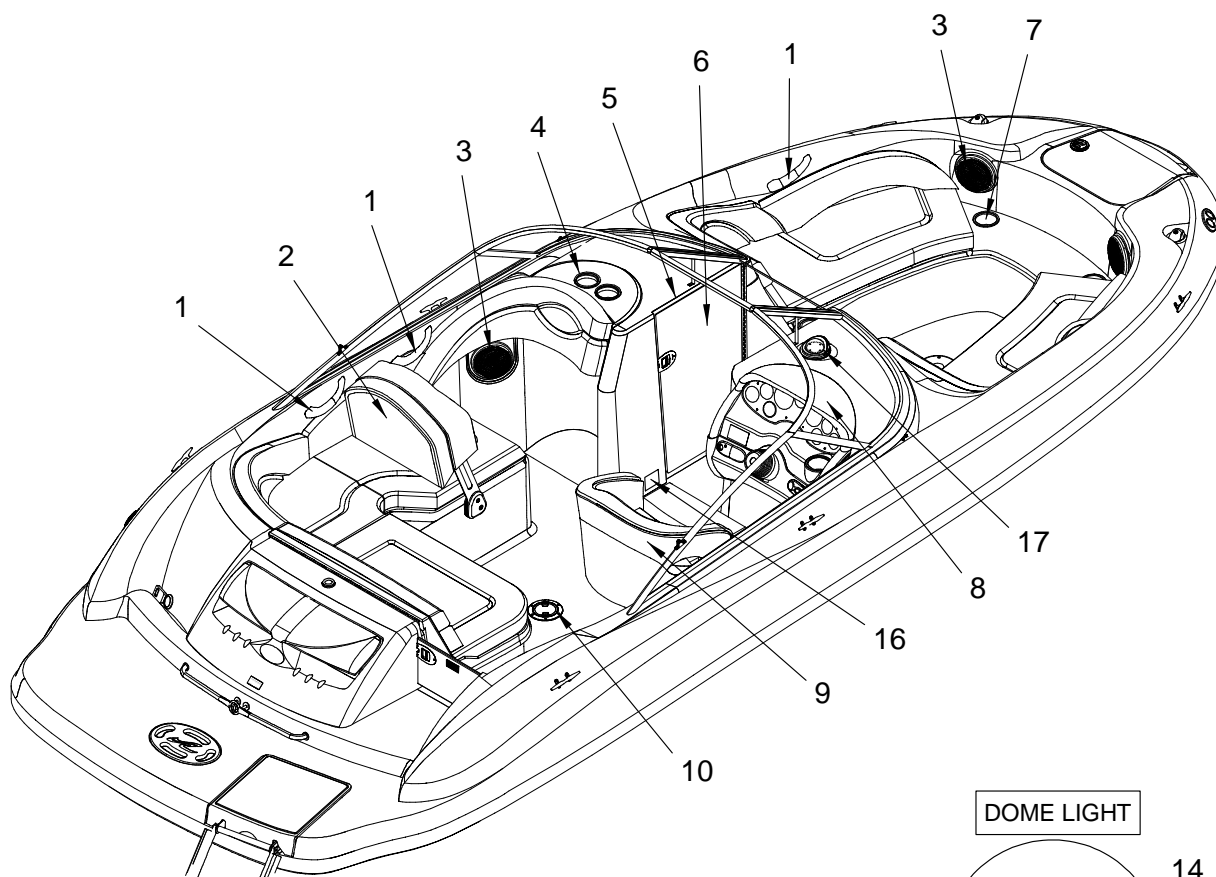
COCKPIT COVER W/SNAPS

	1753324	CANVAS, 200SD-04 CPC W/SNPS RED
--	---------	---------------------------------

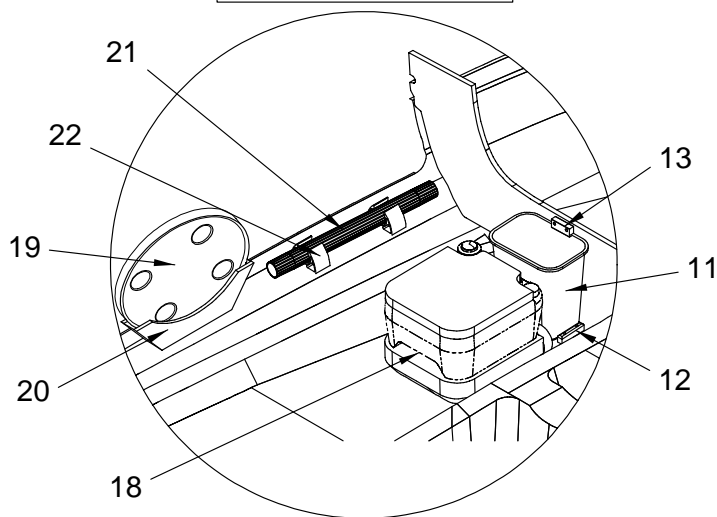
STORAGE BAG

	1092162	CANVAS, STRG BAG 12X38 CLOUDBRST TONNEAU/CKPT
	878652	CANVAS, SPBOAT STRG BAG 10X70 XLRG GREY 97

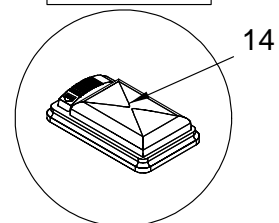
COCKPIT (PORT VIEW)



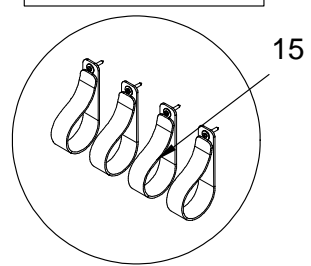
PORT STORAGE DETAIL



DOME LIGHT



DOCKLINE STRAPS



COCKPIT (PORT VIEW)

- 1 1794992 RAIL, GRAB 8.5" 316L SS W/SHORT 7/8" STUDS
- 2 1776457 BRACKET, 200SD-04 PRT LNGR BCKRST FLP-DWN REV
- 3 1690557 SPEAKER, COAXIAL 6.5" N/CVR
- 1690558 GRILL, SPEAKER 6.5" ACOM WHT
- 4 1734528 HOLDER, HDPE DRINK 2-CUP PRL 200SD-03
- 5 1165257 TRIM, PLAS ANGLE 15/16"X 15/16" TAPERED PRL
- 6 1753961 DOOR, PLEX 200SD-04 BOW WALK-THRU PRL
- 1184472 TRIM, EDGE PEARL LEATHER 1"X 5/16"
- 1611490 LATCH, #7756 OMNI FLAT 1/2" N/ LCK
- 1688784 STRIKER, #7790 SS THNR OMNI FLAT CLSD POSTN
- 1684898 DOOR KEEPER, #7729 BLK PLAS FOR OMNI 1/2"
- 1656511 BUMPER, BLACK ROUND RBR W/WSHR
- 1744745 LABEL, DISPOSAL OF GARBAGE
- 1747505 LABEL, INFO REPL PROD/BROCH/DLRLOC/ETC
- 1736771 FLOORING, PVC MAT 200SD-03 SKI STRG WHT
- 7 1779920 HOLDER, DRINK SS 4"X 3" MUG SZ W/RBR INSRT/ADH
- 8 1775018 VISOR, DASH 200/220SD-05 NCKL
- 9 1783819 200SD 05.BKT SEAT.W/THGHR S CMPLT
(SEE UPHOLSTERY PAGE FOR BKT SEAT REPLACEMENT PARTS)
- 1754578 SLIDE ASSY, SEAT MILLENNIUM 10.5" M/H LONG HDL
- 1762918 HANDLE, MILLENNIUM SEAT SLIDE LONG W/O GRIP
- 1762920 CAP, RUBBER MILLENNIUM SLIDE HANDLE GRIP
- 1762921 HANDLE, MILLENNIUM SLIDE C-T ADJUSTER
- 1762922 PIN, ROLL MILLENNIUM SLIDE CAM LEVER
- 1762923 SCREW, MILLENNIUM SLIDE SMALL CAM LEVER
- 1762924 LEVER, MILLENNIUM SLIDE SMALL CAM
- 1154020 PEDESTAL, ALUM 11.25" RIBBED W/DELCP
- 1219955 SEAT SLIDE, INTERNAL DELRIN CUP FOR #1141183
(DELRIN CUP ONLY FOR 1154020)
- 1690896 PLATE, ALUM 1/4"X 2"X 9.75" W/2" TAPPED HOLES
- 10 1155993 ACCESS PLATE, POLYPROP W/O-RING 4" PEARL
- 11 431098 BASKET, TRASH 11 3/8"X 8.25"X 12 1/8" BEIGE
- 12 1396308 BLOCK, HDPE 190SD-00 TRSH CAN XL HOOK PRL
- 13 609883 CLEAT, PLAS 3/4"X 1"X 4" GREY
- 14 1771022 ACC PART, MERC ALARM BUZZER W/HARNESS W/CONN
- 15 855809 ROPE, DOCKLINE STRAP WHT W/HDWR (SHORT STYLE)
- 16 1733731 PLATE, NMMA 03-200SD
- 1737651 PLATE, CE OPT C:200SD/8PERSON/635KG
(CE OPTION GROUP)
- 17 1780993 BULB, COMPASS REPL (1617638)
- 257832 SCREW, TAPPING #6A X 3/4" PPH SS/BLK

LABELS/PLATES

- 1745514 LABEL, PREVENT DISCHARGE OF POLLUTANTS

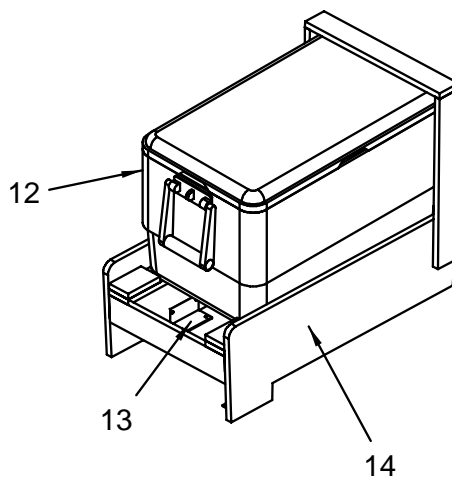
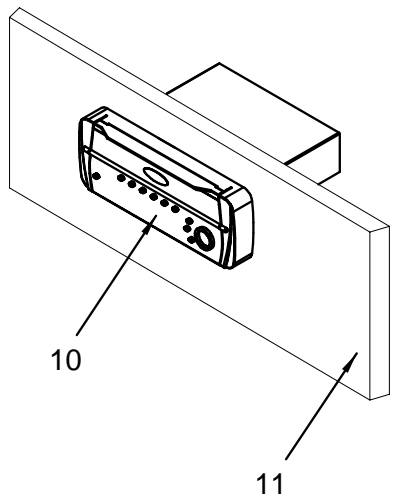
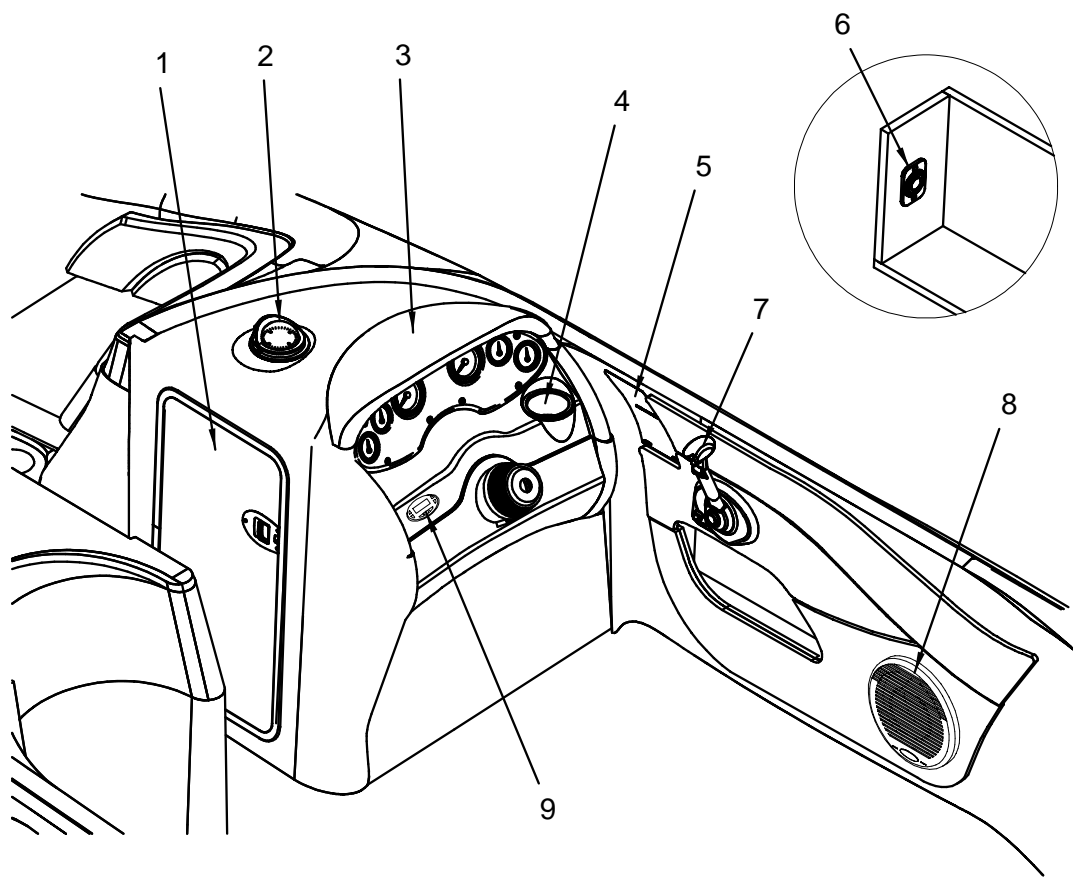
NOT SHOWN

- 129247 BAR, ALUM FLAT 1/8"X 2"X 12'
- 17 1791006 COMPASS,FLSHMT 3 7/8" BLK WT HSE/BLU LT W/CON
(COMPASS - HULL # 3217 -> UP)
- 1771021 COMPASS, FLSHMT 3 7/8" BLK HSE/BLUE LT W/CONN
(COMPASS - HULL # 3001 -> 3216)
- 18 130716 HEAD, PORTABLE SANI POTTI PARCHMENT 2.8GAL
(PORTABLE HEAD)
- 1783917 SEAT ASSY, CVR/SEAT/HNG PIN PRCHMNT
- 19 1148519 TABLE, T/F CKPT ROUND PRL 99
(COCKPIT TABLE W/ DEDICATED STORAGE)
- 876979 BASE, LEG/POST SURF MT ALUM
(COCKPIT TABLE W/ DEDICATED STORAGE)
- 876961 BASE, LEG/POST FLUSH MT ALUM
(COCKPIT TABLE W/ DEDICATED STORAGE)
- 20 1783863 200SD 05,STRG RACK,CKPT TBL W/CARPET
(COCKPIT TABLE W/ DEDICATED STORAGE)
- 795286 CARPET, EXT 12 OZ CHAR #0326 LT NEEDLE PUNCH
(COCKPIT TABLE W/ DEDICATED STORAGE)
- 21 929844 POST, TABLE LEG 26.875" ANOD FLUTED
(COCKPIT TABLE W/ DEDICATED STORAGE)
- 22 1500552 CLIP, TABLE LEG 60MM TUBE BLK
(COCKPIT TABLE W/ DEDICATED STORAGE)

CARPET COCKPIT STORAGE

- 795286 CARPET, EXT 12 OZ CHAR #0326 LT NEEDLE PUNCH

COCKPIT (FORWARD STARBOARD VIEW)



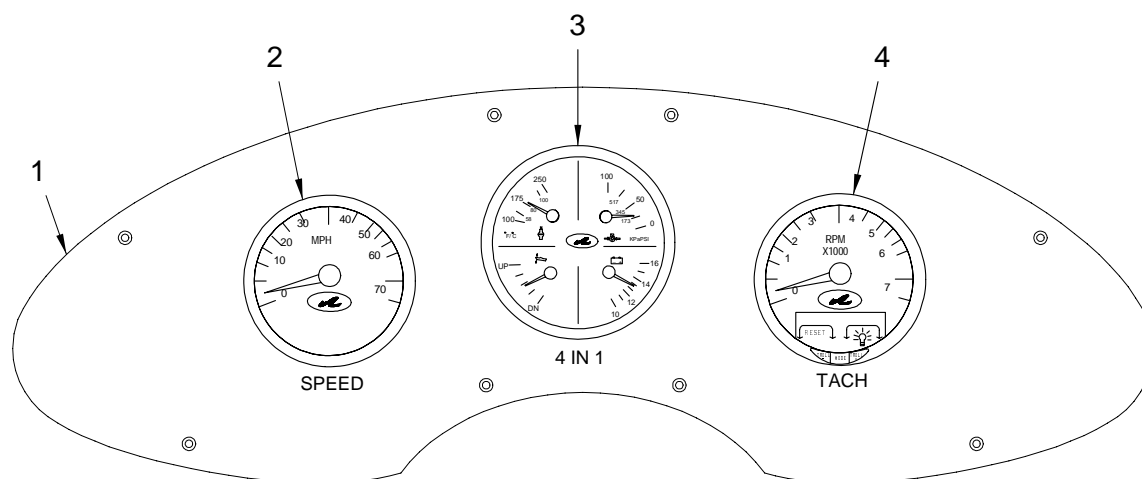
COCKPIT (FORWARD STARBOARD VIEW)

- 1 1778669 DOOR, PLEX 200SD-05 STB STRG W/PRL FRAME
- 1611490 LATCH, #7756 OMNI FLAT 1/2" N/ LCK
- 1688784 STRIKER, #7790 SS THNR OMNI FLAT CLSD POSTN
- 1771022 ACC PART, MERC ALARM BUZZER W/HARNESS W/CONN
(LOCATED INSIDE STORAGE AREA)
- 1783865 200SD 05,CVR,STB ACCESS DASH
(LOCATED INSIDE STORAGE AREA)
- 2 1791006 COMPASS,FLSHMT 3 7/8" BLK WT HSE/BLU LT W/CON
(COMPASS - HULL # 3217 -> UP)
- 1771021 COMPASS, FLSHMT 3 7/8" BLK HSE/BLUE LT W/CONN
(COMPASS - HULL # 3001 -> 3216)
- 1780993 BULB, COMPASS REPL (1617638)
- 257832 SCREW, TAPPING #6A X 3/4" PPH SS/BLK
- 3 1775018 VISOR, DASH 200/220SD-05 NCKL
- 4 1779920 HOLDER, DRINK SS 4"X 3" MUG SZ W/RBR INSR/ADH
- 5 1745122 LABEL, DANGER/WARNING COMBO CNTRL STA
- 6 1287283 RECEPTACLE, FEMALE 12V LONG THRD BLK
- 1259977 PLATE, FEMALE 12V RECEPTACLE MNT
- 1744738 LABEL, RECEPTACLE 12V-15A MAX (LEXAN)
- 7 1754390 CONTROL, SIDE MNT PISTOL GRIP 4000 GEN II I/O
- 778928 LANYARD, COILED STOP SWITCH
- 8 1773440 SPEAKER, 10" SUBWOOFER ACOM N/CVR
(PREMIER STEREO UPGRADE W/ AMP & SUBWOOFER)
- 1773445 GRILL, SPEAKER SUBWOOFER 10" ACOM WHT
(PREMIER STEREO UPGRADE W/ AMP & SUBWOOFER)
- 1782017 STEREO, AMP CLARION APX480M
(PREMIER STEREO UPGRADE W/ AMP & SUBWOOFER)
- 1768304 STEREO, SIRIUS SATELLITE RCVR SIRCL1-1YR
(SATELLITE RADIO OPTION)
- 1757933 ANTENNA, SHAKESPEARE SATELLITE RADIO ANTENNA
(SATELLITE RADIO OPTION)
- 1122357 STEREO, CD (6 DISC) MAGAZINE CLARION
(CD CHANGER OPTION)
- 1733835 STEREO, CD CHANGER 6-DISC DCZ625 C-NET
(CD CHANGER OPTION)
- 9 1755469 STEREO, REMOTE CNTRL W/DIG DSPLY FOR XMD3 BLK
- 1736095 CABLE, CLARION REMOTE EXTENSION CABLE 2'
- 10 1751777 STEREO, AM/FM CD PLAYER W/CHNGR CNTRL SIR SAT
- 1581560 ANTENNA, AMPLIFIED 13398
- 1736683 HARNESS, 200SD-03 STEREO AMP W/FUSE HLDR
(PREMIER STEREO UPGRADE W/ AMP & SUBWOOFER)
- 1750880 CABLE, RCA AUDIO 6' W/EFX-2 CONN W/NOISE SUPP
(PREMIER STEREO UPGRADE W/ AMP & SUBWOOFER)
- 11 1783866 200SD 05,PNL,STEREO/ELEC BOX STB HELM
- 12 814012 COOLER, 36QT
- 13 1783864 200SD 05,STRG RACK,COOLER STB HELM
- 14 1783873 200SD 05,BRACKET,COOLER STRG RACK ANGLE

SEALANTS, CAULK AND SILICONE

- 1081694 SEALANT, SILICONE DESERT BEIGE STARBRITE RTV

INSTRUMENT PANEL



INSTRUMENT PANEL

- 1 1775726 PANEL, BLANK:200/220SD-05 INST METCHRY
- 1507243 HARNESS, MERC DATA S-CRFT 1000-2RSL-20'
- 2 1689917 GAUGE, LINK SPEED 3" S-CRFT 0-70MPH
- 1690381 NUT, LOCK 85MM SPIN LOCK VDO
- 1727800 PITOT, S-CRFT SPEEDO KIT SML BLOCK
- 3 1768244 GAUGE, 5" 4-IN-1 FUEL/OIL/TMP/TRIM S-CRFT
- 1690382 NUT, LOCK 110MM SPIN LOCK VDO
- 4 1754755 GAUGE, SYS TACH 3" S-CRFT 0-7000RPM RV1
- HULL 3001 - 3100
- 1793975 HARNESS, STEERING ADAPTOR F/3.03 TACHS
(TO BE USED WITH GAUGE PN 1754755)
- 1777617 GAUGE, SYS TACH 3" S-CRFT 0-7000RPM RV2
- HULL 3101 - UP
- 1690381 NUT, LOCK 85MM SPIN LOCK VDO

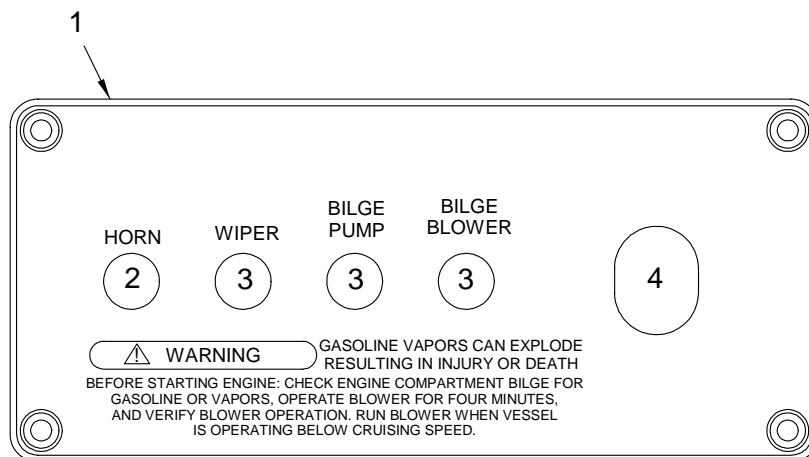
ELECTRICAL HARNESS

- 1777622 HARNESS, 200/220SD-05 WIRE W/S-CRFT W/CONN

SMARTCRAFT COMPONENTS

- 1690371 ACC PART, MERC S-CRFT TRNS W/19' NYL DEP/TEMP
- 1727450 ACC PART, MERC S-CRFT TRNS W/10' NYL DEP/TEMP

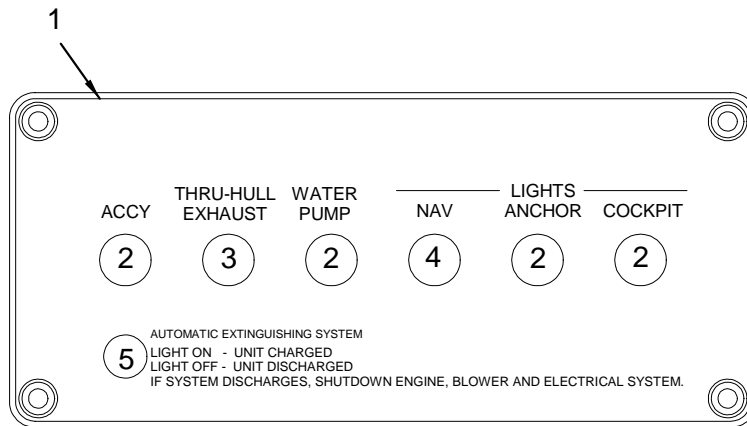
SWITCH PANEL (PORT)



SWITCH PANEL (PORT)

- 1 1775728 PANEL, 200/220SD-05 PRT SW W/WIPER METCHRY
- 2 762955 SWITCH, HORN
- 3 1701352 PLUG, DOMED HOLE 1/2"
- 4 1409366 SWITCH, IGN STARTER
- 1403161 KEY, IGN W/RUBBER SR GRIP "J"
- 1403179 KEY, IGN W/RUBBER SR GRIP "K"
- 1403187 KEY, IGN W/RUBBER SR GRIP "L"
- 1403195 KEY, IGN W/RUBBER SR GRIP "M"
- 1403203 KEY, IGN W/RUBBER SR GRIP "P"
- 1403211 KEY, IGN W/RUBBER SR GRIP "S"
- 1403229 KEY, IGN W/RUBBER SR GRIP "R"
- 1403237 KEY, IGN W/RUBBER SR GRIP "N"
- 1449818 KEY, IGN W/RUBBER SR GRIP "BLANK"

SWITCH PANEL (STARBOARD)



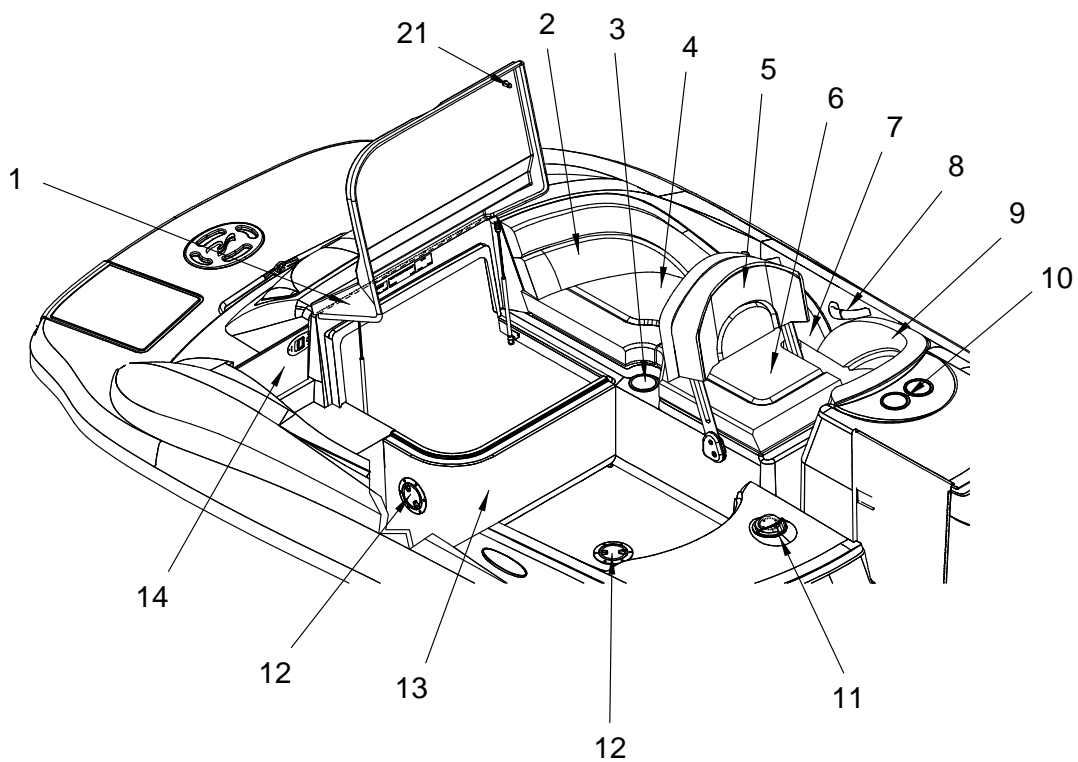
SWITCH PANEL (STARBOARD)

- 1 1777910 PANEL, 200/220SD-05 STB SW WWTR PMP METCHRY
- 2 1757312 SWITCH, TOGGLE CHR W/BLU IND SPST
- 3 1701352 PLUG, DOMED HOLE 1/2"
- 1757312 SWITCH, TOGGLE CHR W/BLU IND SPST
(THRU-HULL EXHAUST)
- 4 1761354 SWITCH, TOGGLE CHR W/BLU IND DPST
- 5 1706223 PLUG, HOLE 5/16 DOME
- 179853 LIGHT, INDICATOR GREEN 15V
(FIRE SUPPRESSION SYSTEM - AUTOMATIC)

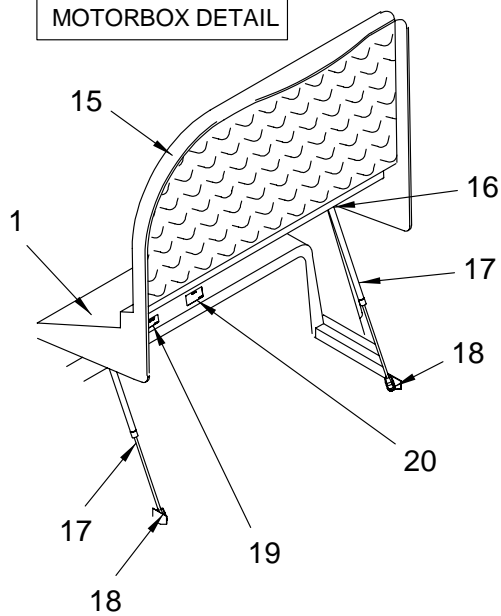
FUSES

- 1777914 FUSE BLOCK, 14-GNG BLADE-TYPE W/ID LBL SUNDKS
- 731034 FUSE, BLADE TYPE CLOSED 5A
(SUPPLIED WITH 1777914)
- 730994 FUSE, BLADE TYPE CLOSED 7.5A
(SUPPLIED WITH 1777914)
- 731000 FUSE, BLADE TYPE CLOSED 10A
(SUPPLIED WITH 1777914)
- 731018 FUSE, BLADE TYPE CLOSED 15A
(SUPPLIED WITH 1777914)

COCKPIT (AFT PORT VIEW)



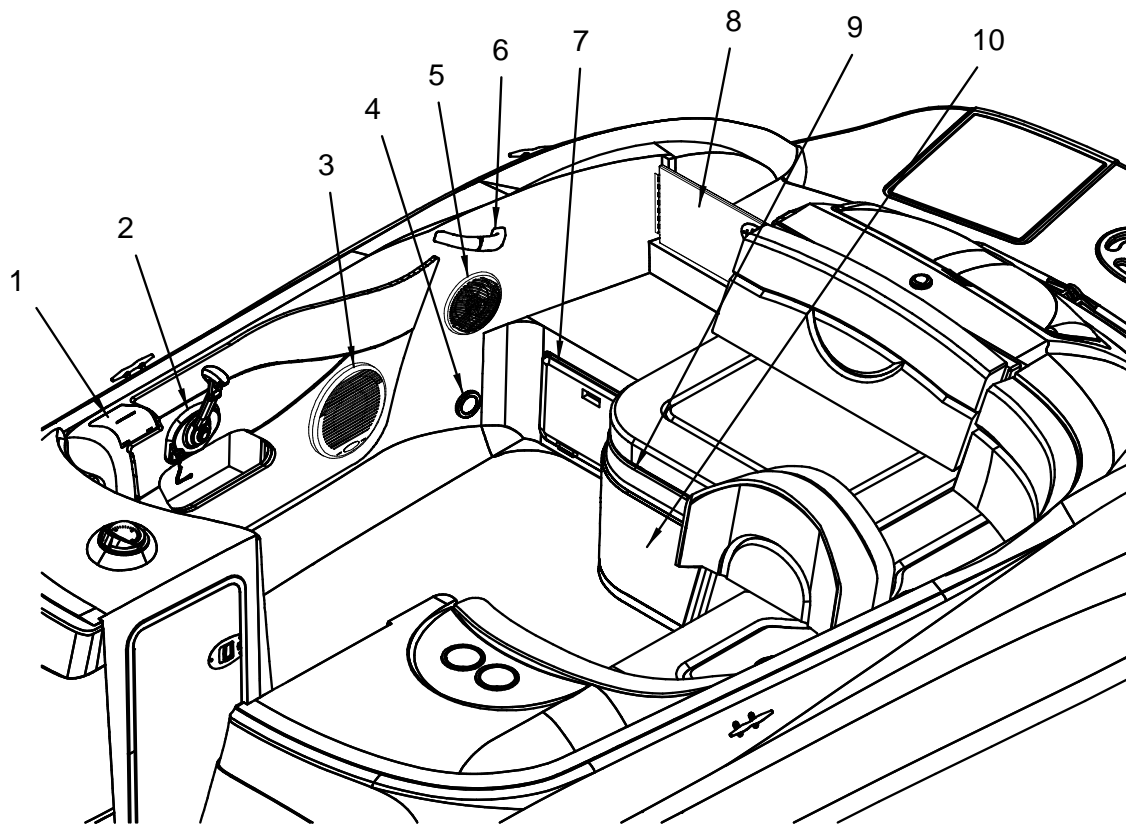
MOTORBOX DETAIL



COCKPIT (AFT PORT VIEW)

- 1 1783820 200SD 05,LID,MTRBX CKPT FBRGLS
(LID ONLY - DOES NOT INCLUDE CUSHION OR SKIRT BASE)
- 1118314 CATCH, RBR SUNPAD HOLD-DOWN
(HULL# 3257 -> UP)
(ADDEDD TO KEEP MOTORBOX LID FROM OPENING WHILE TRAILERING)
- 1741574 FOAM, P/C 200SD-03 CONV MTRBX 2PC
1741577 FOAM, P/C 200SD-03 CONV MTRBX CE OPT 2PC SET
(CE OPTION GROUP)
- 2 1783827 200SD 05,BLSTR,PRT AFT CKPT LNGR
1783828 200SD 05,BLSTR SKN,PRT AFT CKPT LNGR
- 3 1779920 HOLDER, DRINK SS 4"X 3"MUG SZ W/RBR INSRT/ADH
- 4 1783874 200SD 05,CUSH,PRT AFT CKPT LNGR
1783829 200SD 05,CUSH SKN,PRT AFT CKPT LNGR
1746901 LABEL, CAUTION BATTERY SWITCH OFF/ALT DAMAGED
- 5 1783857 200SD 05,B/R,PRT CKPT LNGR FLP-DWN
1783862 200SD 05,B/R SKN,PRT CKPT LNGR FLP-DWN
- 6 1783830 200SD 05,CUSH,PRT FWD CKPT LNGR
1783831 200SD 05,CUSH SKN,PRT FWD CKPT LNGR
590646 CLIP, POLE STRG BLK - MAST LIGHT
- 7 1783858 200SD 05,BLSTR,PRT CKPT LNGR CTR SIDE
1783859 200SD 05,BLSTR SKN,PRT CTR CKPT LNGR
- 8 1794992 RAIL, GRAB 8.5" 316L SS W/SHORT 7/8" STUDS
- 9 1783860 200SD 05,BLSTR,PRT FWD CKPT LNGR
1783861 200SD 05,BLSTR SKN,PRT FWD CKPT LNGR
- 10 1734528 HOLDER, HDPE DRINK 2-CUP PRL 200SD-03
- 11 1791006 COMPASS,FLSHMT 3 7/8" BLK WT HSE/BLU LT W/CON
(COMPASS - HULL # 3217 -> UP)
1771021 COMPASS,FLSHMT 3 7/8" BLK HSE/BLUE LT W/CONN
(COMPASS - HULL # 3001 -> 3216)
1780993 BULB, COMPASS REPL (1617638)
257832 SCREW, TAPPING #6A X 3/4" PPH SS/BLK
- 12 1155993 ACCESS PLATE, POLYPROP W/O-RING 4" PEARL
1744762 LABEL, WARNING PYHY FIRE EXT PRT (LEXAN)
- 13 1783821 200SD 05,SKIRT,MTRBX CKPT FBRGLS
(BOTTOM SKIRT ONLY
DOES NOT INCLUDE LID OR CUSHION)
- 1741574 FOAM, P/C 200SD-03 CONV MTRBX 2PC
1741577 FOAM, P/C 200SD-03 CONV MTRBX CE OPT 2PC SET
(CE OPTION GROUP)
- 14 1778668 DOOR, PLEX 200SD-05 TRNSM W/HINGE PRL
1611490 LATCH, #7756 OMNI FLAT 1/2" N/ LCK
1684897 STRIKER, #7742 SS FOR OMNI FLAT CLSD POSTN
1684898 DOOR KEEPER, #7729 BLK PLAS FOR OMNI 1/2"
1743571 LABEL, DANGER TRANSOM DOOR (LEXAN)
- 15 1772425 TRIM, EDGE PEARL SMALL 5/16" OPENING
- 16 775874 HINGE, SS CONT 2"X 36" POLISHED
- 17 813980 CYLINDER, GAS 80PSI 20"EXT X 12"COMP
- 18 634592 BRACKET, SS GAS CYL FLAT W/BALL STUD
634550 BRACKET, SS GAS CYL 90DEG L-BRKT W/BALL LONG
- 19 1745512 LABEL, STAY CLEAR OF MOVING PARTS ON ENGINE
- 20 1745513 LABEL, WARNING LEAKING FUEL
- 21 836023 BRACKET, ALUM 1.5"X 1.5"X 1.5" 3/16"HOLES
(LOCATED ON MOTORBOX SKIRT)

COCKPIT (AFT STARBOARD VIEW)



COCKPIT (AFT STARBOARD VIEW)

- 1 1745122 LABEL, DANGER/WARNING COMBO CNTRL STA
- 2 1754390 CONTROL, SIDE MNT PISTOL GRIP 4000 GEN II I/O
- 778928 LANYARD, COILED STOP SWITCH
- 3 1736683 HARNESS, 200SD-03 STEREO AMP W/FUSE HLDR
(PREMIER STEREO UPGRADE)
- 4 1771019 LIGHT, NAV STERN FLUSH MT CKPT W/CONN
- 901199 BULB, STERN NAV LIGHT REPL #137406-1227412
- 5 1690557 SPEAKER, COAXIAL 6.5" N/CVR
- 6 1794992 RAIL, GRAB 8.5" 316L SS W/SHORT 7/8" STUDS
- 7 1154756 HATCH, ACCESS 15"X 11" PRL
- 8 1778668 DOOR, PLEX 200SD-05 TRNSM W/HINGE PRL
- 1745853 HINGE, 200SD-03 TRNSM DOOR (1734521)
- 1611490 LATCH, #7756 OMNI FLAT 1/2" N/ LCK
- 1684897 STRIKER, #7742 SS FOR OMNI FLAT CLSD POSTN
- 1684898 DOOR KEEPER, #7729 BLK PLAS FOR OMNI 1/2"
- 1743571 LABEL, DANGER TRANSOM DOOR (LEXAN)
- 9 1783820 200SD 05,LID,MTRBX CKPT FBRGLS
(LID ONLY - SEE AFT PORT VIEW SECTION FOR DETAIL)
- 1118314 CATCH, RBR SUNPAD HOLD-DOWN
(HULL# 3257 -> UP)
(ADDEDD TO KEEP MOTORBOX LID FROM OPENING WHILE TRAILERING)
- 10 1783821 200SD 05,SKIRT,MTRBX CKPT FBRGLS
(BOTTOM SKIRT ONLY)
SEE AFT PORT VIEW SECTION FOR DETAIL)

MULTI-INFO PACKET



MULTI-INFO PACKET

OWNERS PACKET SUPPLIED BY PLANT

1691479 MANUAL, OWNERS - SEA RAY INT'L 12-LANGUAGE
(C E OPTION GROUP)

OWNERS PACKET

1774192 PACKET, MULTI-INFO 200SD-05

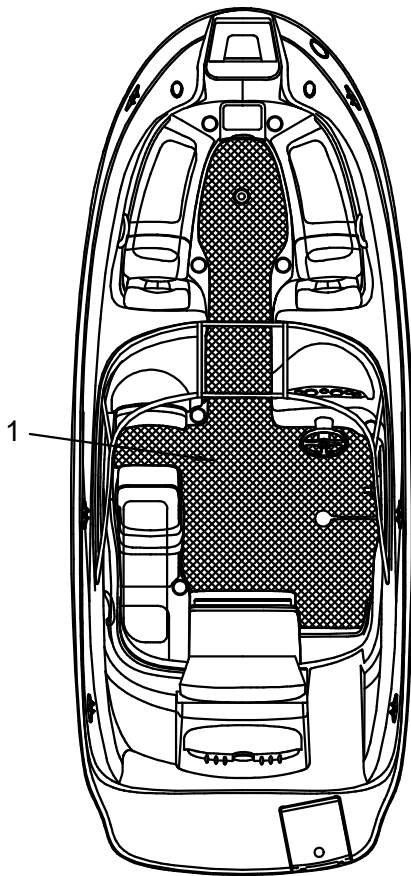
OWNERS PACKET CONTENTS

1773950 MANUAL, OWNERS - 200SD-05
 1093830 CARD, CANVAS INSTRUCTION - SPBOAT
 1756041 CARD, WARRANTY - SPRT BOAT 04
 865204 GUIDE, ABS/ACRYLIC CLEANING/REPAIR
 1751564 CARD, CANVAS CARE & CLEANING SEA RAY
 388736 CHECK LIST, IN SERVICE - SP BOATS
 1507920 CARD, CARBON MONOXIDE WARNING
 1507938 CARD, TALOR WINDSHIELD/GLASS CARE
 1411404 ENVELOPE, DEALER INFORMATION
 929828 CARD, BOATING GUIDE
 1093988 PACKET, OWNERS 2-COMP LEGAL SIZE CANVAS BLK
 833749 FUSE BOX, SPARE W/6 ATC BLADE STYLE
 140061 PLUG, DRAIN PLUG SNAPTITE 1/2"
 764316 DOCUMENT, CANVAS LTD WARRANTY
 954164 VIDEO, 97 OWNER ORIENTATION SPBOAT NTSC
 1751553 BOOKLET, COAST GUARD FEDERAL REQUIREMENT

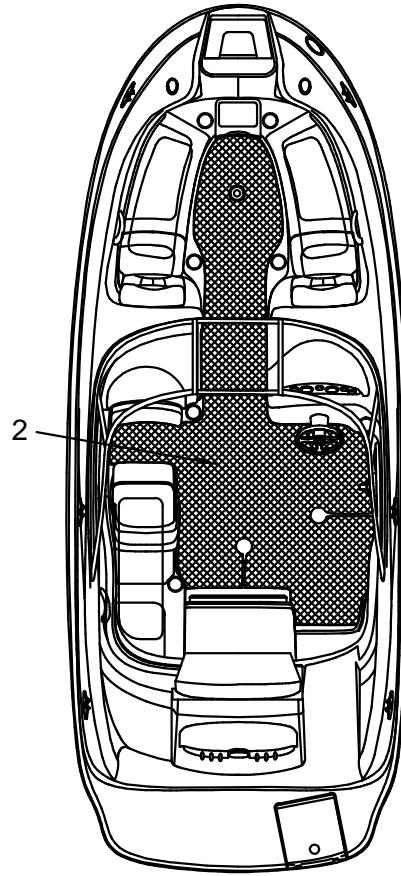
OWNERS PACKET CONTENTS (continued)

1751550 CARD, CANVAS CARE & CLEANING MORBERN
 1751555 BOOKLET, 3M MAINTENANCE INSTRUCTION
 1751557 PACKET, 3M KIT
 1510775 VIDEO, 01 CANVAS INSTALLATION SUNDECK
 1751559 CARD, CANVAS CARE & CLEANING SUNBRELLA
 1751562 CARD, WARRANTY SUNBRELLA LIMITED
 1751563 BOOKLET, STA-BIL FUEL STABILIZER
 1798084 LABEL, CHEMICAL WARNINGS

COCKPIT (SNAP-IN CARPET LINER)



WITHOUT
COCKPIT TABLE OPTION



WITH
COCKPIT TABLE OPTION

COCKPIT (SNAP-IN CARPET LINER)

CARPET LINER W/O TABLE OPTION

1 1783824 200SD 05,CARPET,SNPN LNR CMPLT N/CKPT TBL

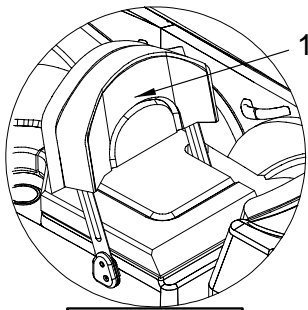
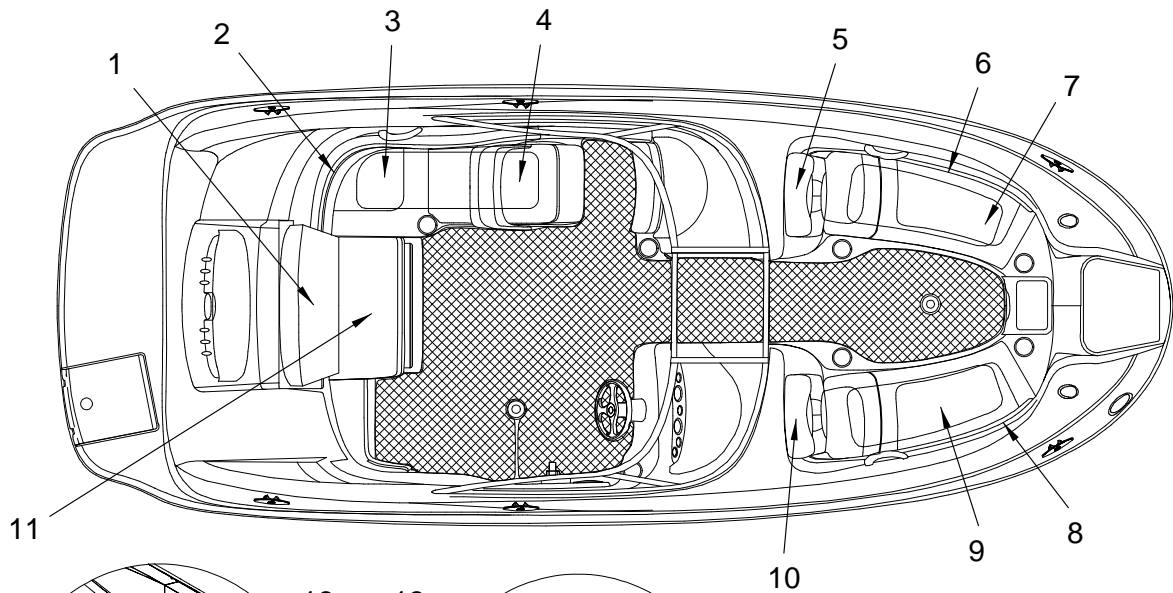
CARPET LINER W/TABLE OPTION

2 1783823 200SD 05,CARPET,SNPN LNR CMPLT W/CKPT TBL OPT

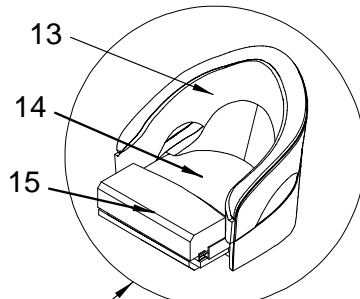
CARPET AND HARDWARE

- 1609916 CARPET, EXT 28 OZ DUNE PEBBLE #902 RL 7"W
- 839720 BINDING, CANVAS 1" LINEN BIAS SUNBRELLA
- 1790664 SNAP REINFORCEMENT, PLAS BACKER 500 PC/ROLL
- 154401 SNAP BUTTON, W/1/4" BARREL
- 154393 SNAP SOCKET, MED ACTION
- 1774654 SNAP STUD, W/OUT SCREW INSERT

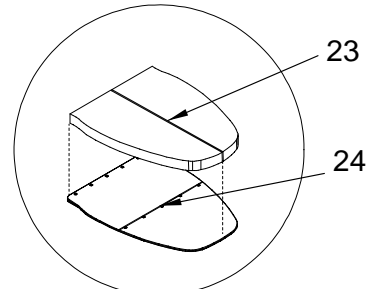
COCKPIT (UPHOLSTERY)



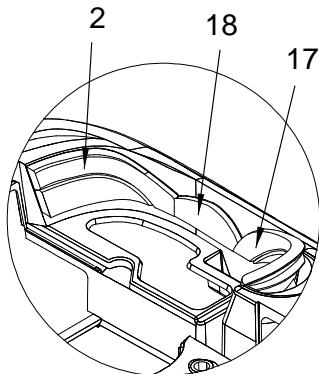
PORT
FLIP UP SEAT



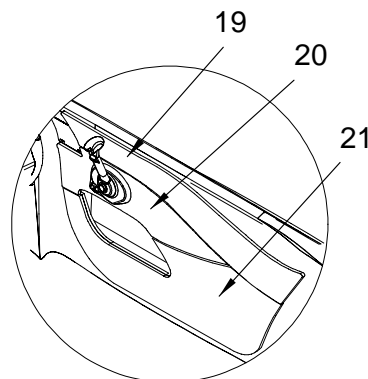
12 BUCKET SEAT



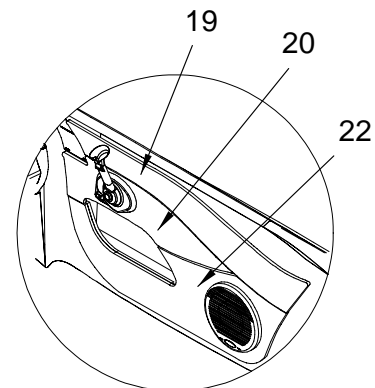
OPTIONAL
BOW FILLER CUSHION



PORT
SIDE BACKREST AND
SIDE PANEL



STB SIDE PANEL



STB SIDE PANEL
W/STEREO UPGRADE

COCKPIT (UPHOLSTERY)

1	1783825	200SD 05,B/R,MTRBX AFT CKPT
	1783826	200SD 05,B/R SKN,MTRBX AFT CKPT
2	1783827	200SD 05,BLSTR,PRT AFT CKPT LNGR
	1783828	200SD 05,BLSTR SKN,PRT AFT CKPT LNGR
3	1783874	200SD 05,CUSH,PRT AFT CKPT LNGR
	1783829	200SD 05,CUSH SKN,PRT AFT CKPT LNGR
4	1783830	200SD 05,CUSH,PRT FWD CKPT LNGR
	1783831	200SD 05,CUSH SKN,PRT FWD CKPT LNGR
5	1783832	200SD 05,BLSTR,PRT AFT BOW
	1783833	200SD 05,BLSTR SKN,PRT AFT BOW
6	1783834	200SD 05,BLSTR,PRT FWD BOW
	1783835	200SD 05,BLSTR SKN,PRT FWD BOW
7	1783836	200SD 05,CUSH,PRT BOW
	1783837	200SD 05,CUSH SKN,PRT BOW
8	1783843	200SD 05,BLSTR,STB FWD BOW
	1783868	200SD 05,BLSTR SKN,STB FWD BOW
9	1783844	200SD 05,CUSH,STB BOW
	1783845	200SD 05,CUSH SKN,STB BOW
10	1783846	200SD 05,BLSTR,STB AFT BOW
	1783847	200SD 05,BLSTR SKN,STB AFT BOW
11	1783848	200SD 05,CUSH,MTRBX
		NOTE: DOES NOT INCLUDE FIBERGLASS LID
	1783849	200SD 05,CUSH SKN,MTRBX
12	1783819	200SD 05,BKT SEAT,W/THGHR5 CMPLT
	1783850	200SD 05,CUSH SKN,BKT SEAT W/THRS CMPLT
	1441195	SHELL, BKT SEAT SPBT/SPCR-01 W/THGHR5
13	1783851	200SD 05,CUSH,BACK BKT SEAT
	1783852	200SD 05,CUSH SKN,BACK BKT SEAT
14	1783853	200SD 05,CUSH,BTM BKT SEAT
	1783854	200SD 05,CUSH SKN,BTM BKT SEAT
15	1783855	200SD 05,LEG ROLL,BKT SEAT
	1783856	200SD 05,LEG ROLL,SKN,BKT SEAT
	964890	BRACKET, H/S FOLDUP 2PC RV2
	1474956	SLEEVE, BKT SEAT SPBT/SPCR 01 THIGH-RISE
16	1783857	200SD 05,B/R,PRT CKPT LNGR FLP-DWN
	1783862	200SD 05,B/R SKN,PRT CKPT LNGR FLP-DWN
	1776457	BRACKET, 200SD-04 PRT LNGR BCKRST FLP-DWN REV
	1756151	BRACKET, BLSTR CKPT 3/4"X2"X1/16" STND-OFF SS
17	1783860	200SD 05,BLSTR,PRT FWD CKPT LNGR
	1783861	200SD 05,BLSTR SKN,PRT FWD CKPT LNGR
18	1783858	200SD 05,BLSTR,PRT CKPT LNGR CTR SIDE
	1783859	200SD 05,BLSTR SKN,PRT CTR CKPT LNGR
19	1783822	200SD 05,SIDE PNL,STB UPR CKPT
20	1783871	200SD 05,SIDE PNL,STB MID CKPT
21	1783869	200SD 05,SIDE PNL,STB LWR CKPT
22	1783870	200SD 05,SIDE PNL,STB LWR W/SPKR CUTOUT CKPT
23	1783838	200SD 05,CUSH,BOW FILR
	1783839	200SD 05,CUSH SKN,BOW FILR
	1736450	FOAM, P/C 200SD-03 BOW FILR 2PC SET
24	1783840	200SD 05,SUPPORT,BOW FILR BOARD SET
	1783841	200SD 05,SUPPORT,BOW FILR BOARD FWD
	1783842	200SD 05,SUPPORT,BOW FILR BOARD AFT
	1745515	LABEL, WARNING DO NOT STAND/WALK THIS AREA
	1764584	BOARD, HDPE 1/2"X 4'X 8' PEARL

CARPET COCKPIT STORAGE

795286 CARPET, EXT 12 OZ CHAR #0326 LT NEEDLE PUNCH

FOAM

1736432 FOAM, P/C 200SD-03 BOW 12-PC SET
 1736537 FOAM, P/C 200SD-03 PRT LNGR 12PC SET
 1781312 FOAM, P/C 200SD-05 MTRBX SET
 1784645 FOAM, P/C 200SD-05 CKPT 5PC SET
 1441260 FOAM, P/C BKT SEAT W/THGHR5-01

UPHOLSTERY FABRIC AND MATERIALS

1752705 HIDEM, GRANDE STINGER CREAM 5/8"
 1752705 HIDEM, GRANDE STINGER CREAM 5/8"
 1687646 HIDEM, SEABROOK EBONY 5/8"
 773630 MESH, WHITE 54"
 1617281 BRACKET, BLSTR CKPT ANGLED 1/4" STND-OFF SS
 983452 MESH, BLACK 54"
 700492 BINDING, CANVAS 1" BLK SUNBRELLA
 581827 WELT, WELT CORD SYNTHETIC 5/32"X 1250'
 1777824 WELT, WELT CORD SYNTHETIC 3/8" STIFF
 1616366 DACRON, 3/8"X 75LY
 1777206 THREAD, POLYESTER TEX 90 WHT ANEFIL BONDED
 1600287 THREAD, POLY-PEARL YACHT CONE GRAY

UPHOLSTERY FABRIC AND MATERIALS (continued)

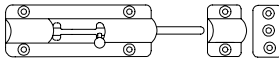
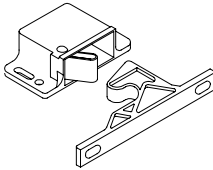



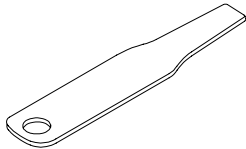
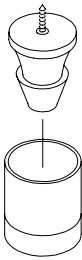
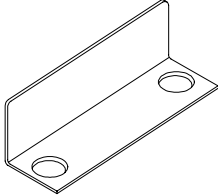
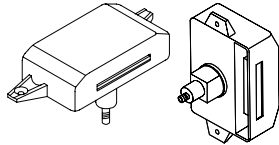
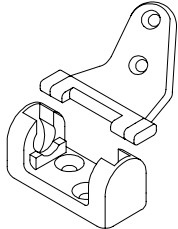
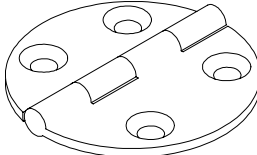
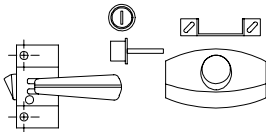
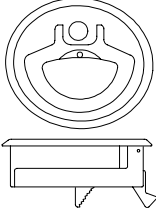
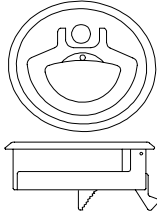
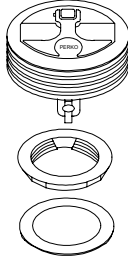
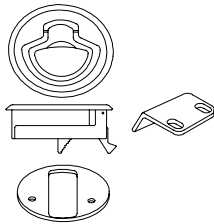
180182 ZIPPER, #5 DELRIN CONTINUOUS WHT
 180406 SLIDE, DELRIN #5 WHT 1-S LOCK

VINYLS

1752133 VINYL, MERRITT STINGER CREAM EXP FLAT
 1752136 VINYL, MERRITT STINGER CREAM EXP 1/4"F/B
 1778337 VINYL, NICKEL SR-4983A EXP FLAT
 1778341 VINYL, NICKEL SR-4983A EXP 1/4" FB
 1619626 VINYL, DADE PEWTER MIST EXP FLAT

TELLICO HARDWARE

2005 TELLICO PLANT HARDWARE

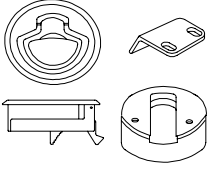
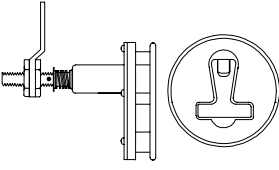
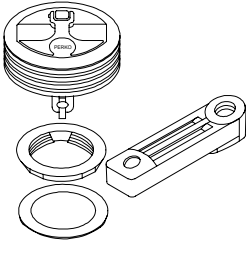
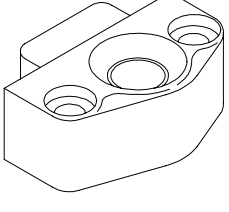
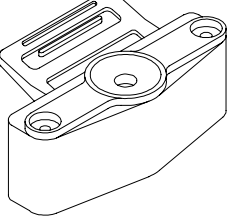
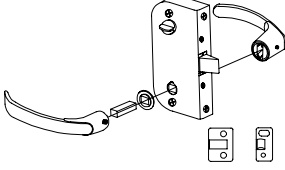
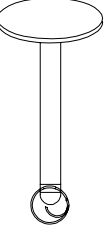
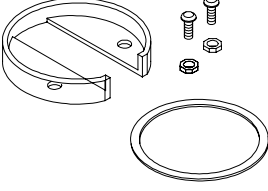
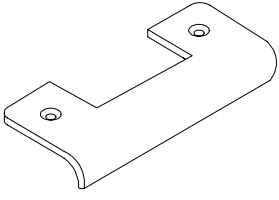
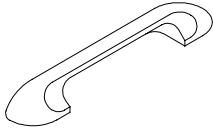
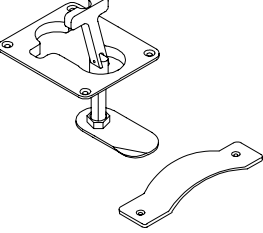
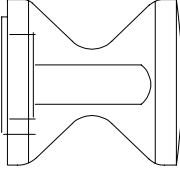
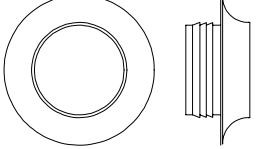
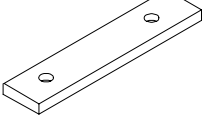
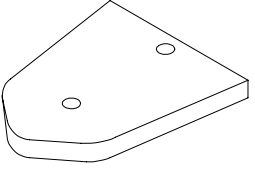
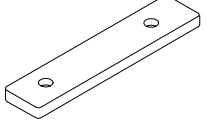
<p>CHROME 2 3/8"</p>  <p>1 → 326041</p>	<p>WHITE 10LB</p>  <p>2 → 1450188</p>	<p>2 1/2" OFFSET MEDIUM SS</p>  <p>3 → 1781463</p>	<p>2" OFFSET LONG SS</p>  <p>4 → 1781438</p>
<p>2" OFFSET SHORT SS</p>  <p>5 → 1781439</p>	 <p>6 → 1783661</p>	 <p>7 → 1118314</p>	 <p>8 → 761445</p>
<p>WHITE</p>  <p>9 → 772418</p>	 <p>10 → 1164607</p>	 <p>11 → 1338821</p>	 <p>12 → 129411</p>
<p>STAINLESS STEEL</p>  <p>13 → 1781446</p>	<p>STAINLESS STEEL</p>  <p>14 → 1781437</p>	<p>BLACK</p>  <p>15 → 1365550</p>	<p>BLACK 17-22MM</p>  <p>16 → 619973</p>

TELLICO HARDWARE

1	326041	BOLT, BARREL CHR 2 3/8"
2	1450188	CATCH, GRABBER LATCH W/10LB HOLD WHT
3	1781463	CATCH, PAWL 2.5"OFFSET MEDIUM SS
4	1781438	CATCH, PAWL 2"OFFSET LONG SS
5	1781439	CATCH, PAWL 2"OFFSET SHORT SS
6	1783661	CATCH, PAWL 2"STRAIGHT LONG SS
7	1118314	CATCH, RBR SUNPAD HOLD-DOWN
8	761445	CATCH, RIM-LOCK STRIKE PLATE
9	772418	CATCH, RIM-LOCK WHT
10	1164607	HINGE, SS MTRBX
11	1338821	HINGE, SS STRAP 2.56" X 2.56" X 1/4"
12	129411	LATCH, CABIN BLK 1/2"
13	1781446	LATCH, COMPRESSION 2.5"N/LOCKING SS
14	1781437	LATCH, COMPRESSION 2"N/LOCKING SS
15	1365550	LATCH, FLUSH T-HNDL W/O LOCK BLK
16	619973	LATCH, FLUSH MOUNT PULL BLK 17MM-22MM

TELLICO HARDWARE (CONTINUED)

2005 TELLICO PLANT HARDWARE

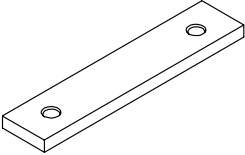
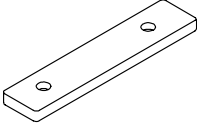
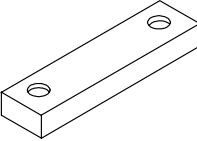
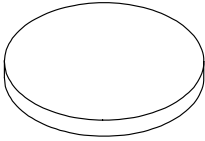
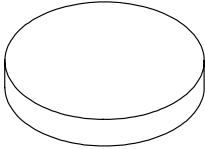
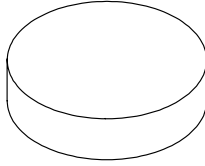
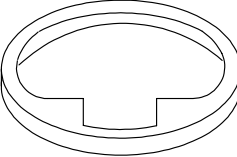
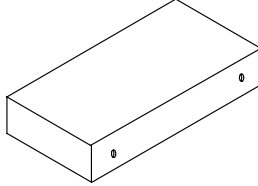
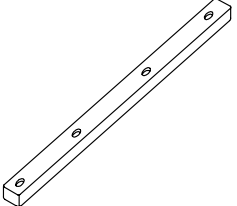
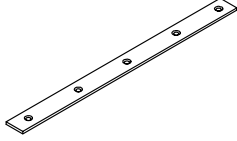
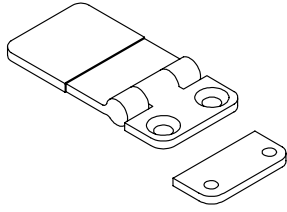
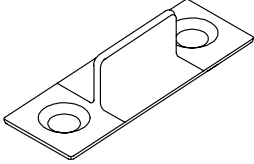
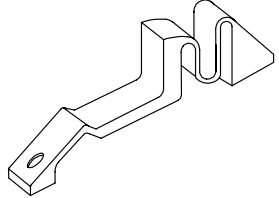
<p>WHITE 2-7MM</p>  <p>1 → 777268</p>	<p>STAINLESS STEEL</p>  <p>2 → 1480813</p>	<p>BLACK</p>  <p>3 → 1581412</p>	<p>BLACK</p>  <p>4 → 1759426</p>
 <p>5 → 1219948</p>	<p>CHROME-RH OUT</p>  <p>6 → 1717317</p>	 <p>7 → 140111</p>	 <p>8 → 1781448</p>
<p>1.25" WIDE</p>  <p>9 → 891200</p>	<p>WHITE</p>  <p>10 → 156166</p>	<p>STAINLESS STEEL</p>  <p>11 → 1683350</p>	<p>CHROME</p>  <p>12 → 1271014</p>
<p>BRASS 13MM</p>  <p>13 → 1397462</p>	 <p>14 → 826453</p>	<p>1/4" X 1 7/8" X 1 7/8" PEARL</p>  <p>15 → 1760568</p>	<p>1/4" X 1/2" X 1 3/4" PEARL</p>  <p>16 → 1287309</p>

TELLICO HARDWARE (CONTINUED)

1	777268	LATCH, FLUSH MOUNT PULL WHT 2MM-7MM
2	1480813	LATCH, FLUSH MOUNT ROUND T-HNDL SS W/PAWL
3	1581412	LATCH, FLUSH W/CAM BLK
4	1759426	LATCH, HATCH/SUNPAD BLK PLAS W/3.25" BOLT
5	1219948	LATCH, HATCH/SUNPAD BLK PLAS (ASAHI DENSO)
6	1717317	LATCH, OFFSHR MORTISE RH-OUT PRVKNB CHR
7	140111	LIFT HANDLE, HATCH LIFT BOLT W/RING 3"
8	1781448	PLATE, SHALLOW BRKT 2.5"W/HDWR PKG SS
9	891200	PLATE, STRIKER MOBELLA 1.25"WIDE
10	156166	PULL, DOOR/DRAWER PLAS WHT
11	1683350	PULL, FLUSH HATCH SS T-HNDL
12	1271014	PULL, PUSH-BUTTON KNOB CHR
13	1397462	PULL, ROSETTE POL SOLID BRASS 13MM
14	826453	SHIM, DOOR STRIKER
15	1760568	SHIM, HDPE MTRBX HINGE PRL 1/4"X1 7/8"X1 7/8"
16	1287309	SHIM, HDPE 1/4"X 1/2"X 1.75" PRL

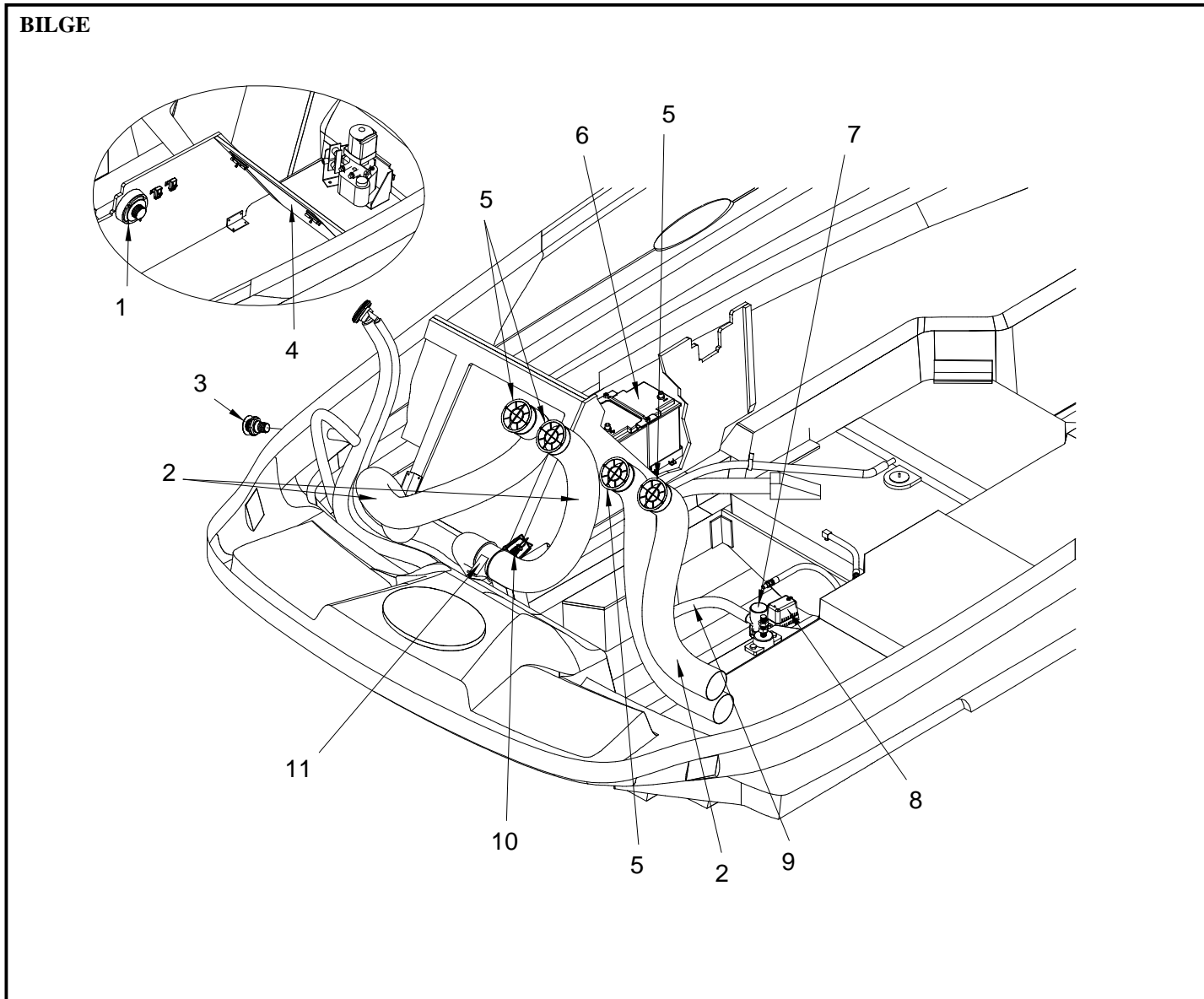
TELLICO HARDWARE (CONTINUED 1)

2005 TELLICO PLANT HARDWARE

<p>1/4"X3/4"X3"</p>  <p>1 → 1769545</p>	<p>7/16"X1.25X1.25 PEARL</p>  <p>2 → 1754046</p>	<p>7/16"X1.25X3/16" PEARL</p>  <p>3 → 1754047</p>	<p>1/2" WHITE</p>  <p>4 → 1760140</p>
<p>3/4" WHITE</p>  <p>5 → 1760128</p>	<p>1" WHITE</p>  <p>6 → 1760141</p>	<p>BLACK 6MM</p>  <p>7 → 1418060</p>	<p>4" X 2" X 3/4" ARTIC WHITE</p>  <p>8 → 1286947</p>
<p>11 1/2" X 3/4" X 1/2" PEARL</p>  <p>9 → 1167923</p>	<p>PEARL</p>  <p>10 → 1778647</p>	 <p>11 → 1340959</p>	 <p>12 → 1684897</p>
 <p>13 → 1609635</p>			

TELLICO HARDWARE (CONTINUED 1)

1	1769545	SHIM, HDPE 1/4"X 3/4"X 3" CUSH BLOCK
2	1754046	SHIM, HDPE 7/16"X 1.25"X 1/4" PRL
3	1754047	SHIM, HDPE 7/16"X 1.25"X 3/16" PRL
4	1760140	SHIM, PVC LADDER HATCH CATCH 1/2" WHT
5	1760128	SHIM, PVC LADDER HATCH CATCH 3/4" WHT
6	1760141	SHIM, PVC LADDER HATCH CATCH 1" WHT
7	1418060	SHIM, RUBBER 6MM SS LATCH
8	1286947	STOP, HDPE 3/4"X 2"X 4" ENTRYWAY DOOR ARW
9	1167923	STOP, HDPE 210BR-99 DOOR WALK THRU PRL
10	1778647	STOP, PLEX DOOR WALK THRU PRL
11	1340959	STOP, SLIDING DOOR/WINDOW CHR HVY DTY
12	1684897	STRIKER, #7742 SS FOR OMNI FLAT CLSD POSTN
13	1609635	STRIKER, FLEXIBLE PLAS BLK



BILGE

- 1 1726841 SWITCH, BATTERY ON/OFF N/LCK N/DISC RV1
(BATTERY ON/OFF SWITCH)
- 2 124016 HOSE, VENT/BLOWER 4" EX HVY DTY
- 3 1778931 THRU-HULL, SS 1 1/8" BARB SHORT W/RBR GASKET
1524644 GASKET, THRU-HULL 1 29/32" OD
- 4 1783867 200SD 05, DOOR, BLK HD STRG ACCESS PRT LNDR
326041 BOLT, BARREL CHR 2 3/8"
- 5 716159 VENT, PLAS GRILL 4" BLK
- 6 1239458 HOLDER, BATTERY GR27/31 BLK NYLON W/SS
1727785 CABLE, BATT KIT 200SD-03 STD
1216522 BOOT, BATTERY CABLE 4/0 RED 1"
1216514 BOOT, BATTERY CABLE 4/0 BLK 1"
1727786 CABLE, BATT KIT 200SD-03 OPT BATT SW/CE
(BATTERY ON/OFF SWITCH)
- 7 1771004 PUMP, BILGE 1100GPH W/IMPLLR HOUSG VNS W/CONN
- 8 1771033 SWITCH, FLOAT RULE W/CVR W/CONN
- 9 123901 HOSE, CORR BILGE 1 1/8" BLK
256685 CLAMP, HOSE #16 3/4"-1.5" SS .505
- 10 1771027 HALON SYS, AUTOMATIC 75CF (1301 HALON) W/CONN
(FIRE SUPPRESSION SYSTEM - AUTOMATIC)
1771024 FIRE EXT SYS, FM200 75CF GAS-AUTO W/CONN
(C E FIRE SYSTEM - EUROPEAN DEALERS ONLY)
- 11 1771006 BLOWER, BILGE 4" #240MQ W/CONN

ELECTRICAL HARNESS

- 1762413 HARNESS, ENG MERC S-CRFT SC100 LINK EXT 12"
- 1782631 HARNESS, MERC TRIM PUMP ADAPTER

GELCOATS

- 1452861 GEL COAT, PEARL AIR-DRY (BILGE)

HOSES/CLAMPS

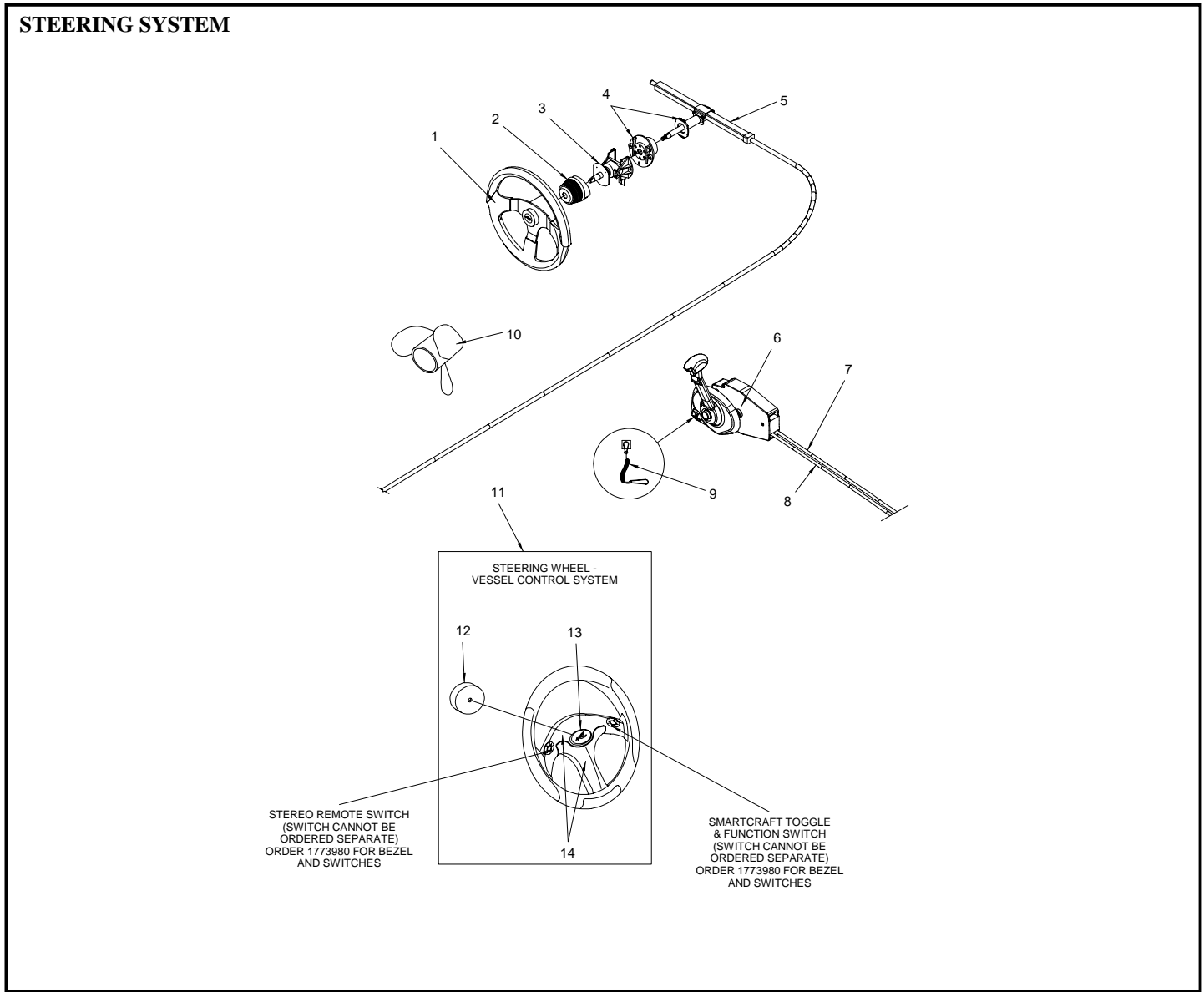
- 1501840 HOSE, CONDUIT/SPLIT 1" FLAME RETARDANT
- 124347 HOSE, PVC CLEAR 3/8"
- 1775071 HOSE, WATER 5/8" BLK REINF PVC
- 263954 CLAMP, HOSE #10 1/2"-1 1/8" SS .505
- 417675 CLAMP, HOSE #20 3/4"-1.75" SS .505

LIGHTS

- 1771063 LIGHT, SGL DOME FLUSH MT WHT W/SWITCH W/CONN
- 604801 BULB, DOME LIGHT 12V

MISCELLANEOUS BILGE

- 129189 ANGLE, ALUM 1/8"X 1.5"X 1.5"X 16'
- 1407204 CHANNEL, PVC 3/4"X 3/4"X 1/2"
- 1212729 TIE, CABLE 14" BLK W/SS BARB
- 148478 CONDUIT, PIPE PVC SCH 40 GREY 2"
- 1550565 ANTI-FREEZE, STARBRITE RV (-50DEG)



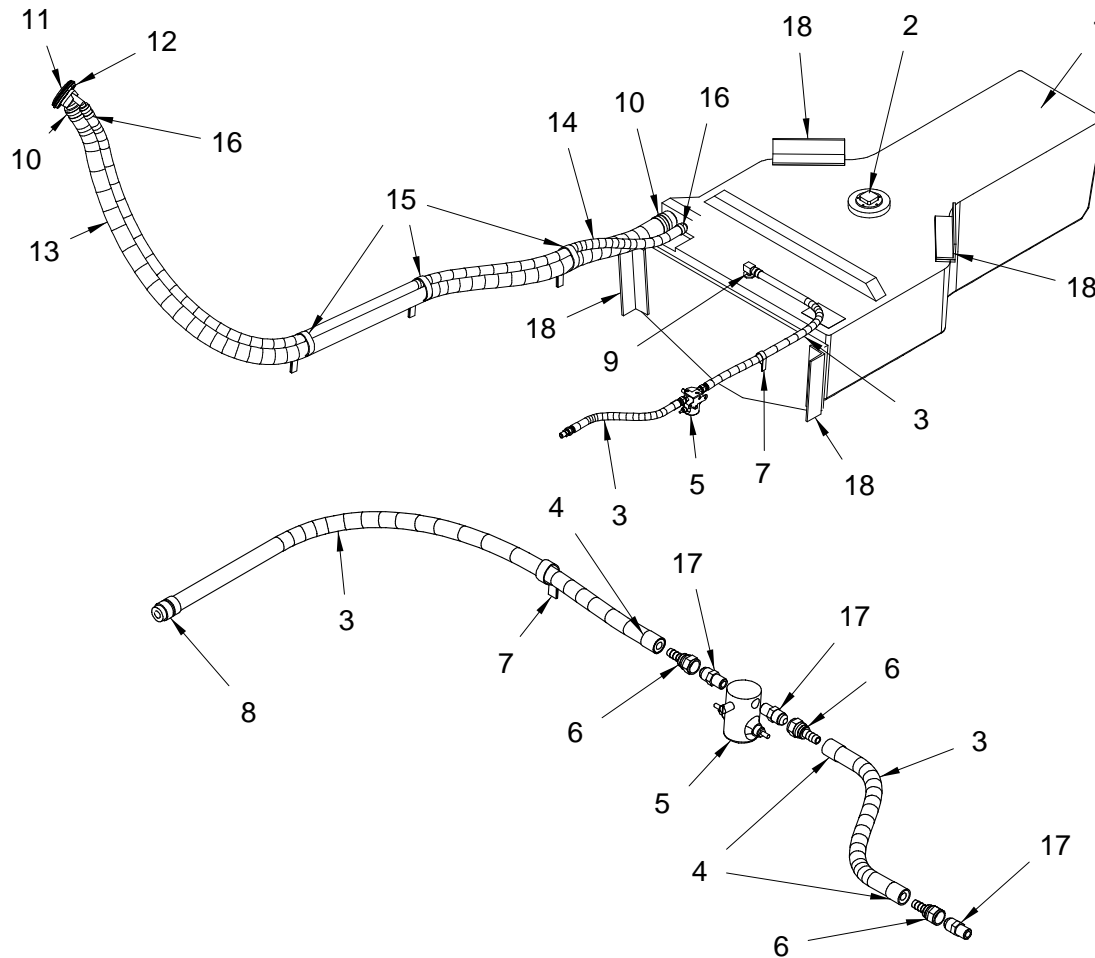
STEERING SYSTEM

- 1 1756516 STEERING WHEEL, SPBT-04 BLK/BLK W/METCHPAD
- 1549666 EMBLEM, S/R WAVE OVAL URET CHR 1.125"X 2.375"
- 758599 HUB KIT, STEERING WHEEL DINO 332
- 1676840 STEERING WHEEL, CHR MEDALLION HLDR (1620012)
- 1757779 PAD, STEER WHL CTR SPBT-04 MET CHR Y N/SR LOGO
- 1785024 STEERING WHEEL, BLK WHEEL ONLY (1756516)
- 1785025 STEERING WHEEL, SCREW ONLY (1756516)
- 2 958439 STEERING, BELLOWS TILT STEERING BLK
- 3 662510 STEERING, PERFORMANCE TILT MECHANISM
- 126987 STEERING, MOUNT 90 DEG BEZEL ONLY
- 4 1092246 STEERING, TILT HELM BACK-MNT
- 5 1091834 STEERING, BACK MNT RACK/CABLE 14.0' ASSY
- 6 778928 LANYARD, COILED STOP SWITCH
- 7 1757743 CABLE, CONTROL MERC GEN II STD 16 LAY 13'BULK
- 8 1757741 CABLE, CONTROL MERC GEN II STD 16 LAY 12'BULK
- 9 778928 LANYARD, COILED STOP SWITCH
- 10 169672 PROP, 14"X 19" VENGEANCE RH
- 654319 PROP, 14.5"X 17" VENGEANCE RH
(17" VENGEANCE PROP)
- 708172 PROP, 15.75"X 22" SS BR3 LH
(22" BRAVO 3 (COUNTER ROTATING PROPS))
- 708180 PROP, 14.25"X 22" SS BR3 RH
(22" BRAVO 3 (COUNTER ROTATING PROPS))
- 708198 PROP, 15.5"X 24" SS BR3 LH
(24" BRAVO 3 (COUNTER ROTATING PROPS))
- 708206 PROP, 14.25"X 24" SS BR3 RH
(24" BRAVO 3 (COUNTER ROTATING PROPS))

NOT SHOWN

- 1507292 HARNESS, ENG SYSTEMS TACH/MONITOR
(VESSEL CONTROL SYSTEM OPTION)
- 1507326 ACC PART, MERC S-CRFT JUNC BOX 4-WAY
(VESSEL CONTROL SYSTEM OPTION)
- 1507334 ACC PART, MERC S-CRFT TERMINATOR JUNC BOX
(VESSEL CONTROL SYSTEM OPTION)
- 1727448 HARNESS, MERC DATA S-CRFT W/TERM 1000-1RSL-25
(VESSEL CONTROL SYSTEM OPTION)
- 1777615 STEERING, PERFORMANCE TILT MECHANISM INTLLWHL
(VESSEL CONTROL SYSTEM OPTION)
- 11 1773975 STEERING WHEEL, SPBT INTELWHEEL METCHRY/BLK
(VESSEL CONTROL SYSTEM OPTION)
- 1774822 HARNESS, INTELWHEEL S-CRFT CAN INTERFACE 6'
(VESSEL CONTROL SYSTEM OPTION)
- 1736095 CABLE, CLARION REMOTE EXTENSION CABLE 2'
(VESSEL CONTROL SYSTEM OPTION)
- 935080 CABLE, CLARION DUAL REMOTE "Y"
(VESSEL CONTROL SYSTEM OPTION)
- 12 1773984 STEERING, CLOCKSPRING INTELWHL ASSY PLAS BLK
(VESSEL CONTROL SYSTEM OPTION)
- 13 1786903 EMBLEM, S/R WAVE OVAL CHR W/BZL (INTELWHEEL)
(VESSEL CONTROL SYSTEM OPTION)
- 14 1773980 STEERING, BEZEL INTELWHEEL MET CHR Y/BLK
(VESSEL CONTROL SYSTEM OPTION)

FUEL SYSTEM



FUEL SYSTEM

- 1 1771053 TANK, FUEL 200SD-05 40GAL PLS W/WEMA W/CONN
- 2 1745002 SENDING UNIT, WEMA 12" SS W/SCRWS & GASKET
- 3 1497486 HOSE, FUEL 3/8" ISO/CE W/PLAS LINER
- 4 1478213 FERRULE, FUEL LINE 3/8"ISO/CE
- 5 1791155 VALVE, BRASS FUEL SHUT-OFF 12V SER7000 10W
(HULL # 3108 - UP)
- 1782030 VALVE, BRASS FUEL SHUT-OFF ELEC 12V SER7000
(HULL # 3001 - # 3407)
- 6 170589 FITTING, BRASS 3/8" BARB/NUT
- 7 123661 CLAMP, LOOM VINYL DIP 1"
- 8 123398 CLAMP, HOSE #06M 5/16"-7/8" SS MINI
- 9 1792090 TUBE, FUEL P/U ASSY TANK FT-4042
- 10 256693 CLAMP, HOSE #24 1"-2" SS .505
- 11 1109354 DECK PLATE, GAS CHR W/VENT 45DG NCK RED CODE
(HULL # 3601 - UP)
- 1098615 DECK PLATE, GAS CHR W/VENT (SHIM ONLY)
- 1771034 DECK PLATE, GAS CHR W/VNT 45DG NCK RED W/CONN
(HULL # 3001 - # 3600)
- 1213867 DECK PLATE, CAP W/CHAIN GAS (FOR #1109354)
- 1068592 KEY, DECK PLATE CAP
- 12 1098615 DECK PLATE, GAS CHR W/VENT (SHIM ONLY)
- 13 123745 HOSE, FUEL 1.5" TYPE A CLASS 2
- 14 123778 HOSE, FUEL 5/8" TYPE A CLASS 2
- 15 123604 CLAMP, LOOM VINYL DIP 2.5"
- 16 256677 CLAMP, HOSE #12 1/2"-1.25" SS .505
- 17 140483 ADAPTER, BRASS 1/4"MPT X 3/8"SAE

- 18 1783872 200SD 05 BRACKET, FUEL TANK PVC ANGLE
- 1497452 TAPE, FOAM NEOPRENE W/3M 9828 3/8"TH X 2"W

ADHESIVES

- 211813 ADHESIVE, THREADLOCKER RECTOR SEAL

LABELS

- 1745157 LABEL, FUEL RECOMMENDATION
- 1745513 LABEL, WARNING LEAKING FUEL

NOT SHOWN

- 169524 ADAPTER, BRASS 3/8"MPT X 3/8"SAE
- 141747 ANGLE, PVC 2"X 2"X 1/4"X 10' GREY
- 1412626 BOOT, E-MODULE RED

350 MAG MPI ALPHA (300 PHP) MCM STERN DR.

1069186	ADAPTER, BRASS 3/8"MPT X 1/4"MPT
169524	ADAPTER, BRASS 3/8"MPT X 3/8"SAE
1090885	OUTDRIVE UNIT, MERC ALPHA 1.47:1
1745845	S/D, MERC 300HP 350MAG MPI DE ALPHA W/RSR
1778091	S/D, MERC 300HP 350MAG MPI DE ALPHA W/RSR '05

4.3L MPI ALPHA (220 PHP) MCM STERN DRIVE

1090869	OUTDRIVE UNIT, MERC ALPHA 1.62:1
1743010	S/D, MERC 220HP 4.3L MPI DE ALPHA W/RSR
1778056	S/D, MERC 220HP 4.3MPI AL RSR

5.0L MPI ALPHA (260 PHP) MCM STERN DRIVE

1090869	OUTDRIVE UNIT, MERC ALPHA 1.62:1
1738451	S/D, MERC 260HP 5.0L MPI ALPHA DE W/RSR
1778060	S/D, MERC 260HP 5.0MPI AL RSR

5.0L MPI BR 3 (260 PHP) MCM STERN DRIVE

1069186	ADAPTER, BRASS 3/8"MPT X 1/4"MPT
169524	ADAPTER, BRASS 3/8"MPT X 3/8"SAE
1086990	OUTDRIVE UNIT, MERC BRAVO III 2.20:1
1778015	OUTDRIVE UNIT, MERC BRAVO III 2.20:1 '05
1738460	S/D, MERC 260HP 5.0L MPI DE BR III W/RSR
1778068	S/D, MERC 260HP 5.0MPI BR RSR
1682368	VINYL FILM, POLY BAG 34"X 50"X 2MIL CLEAR

2ND STEREO REMOTE CONTROL -TRANSOM

935080	CABLE, CLARION DUAL REMOTE "Y"
1312750	CABLE, CLARION REMOTE EXTENSION CABLE 24'
1755469	STEREO, REMOTE CNTRL W/DIG DSPLY FOR XMD3 BLK

PREMIER STEREO UPGRADE W/ AMP & SUBWOOFER

1750880	CABLE, RCA AUDIO 6' W/EFX-2 CONN W/NOISE SUPP
1773444	GRILL, SPEAKER SUBWOOFER 10" ACOM BLK
1773445	GRILL, SPEAKER SUBWOOFER 10" ACOM WHT
1736683	HARNESS, 200SD-03 STEREO AMP W/FUSE HLDR
1773440	SPEAKER, 10" SUBWOOFER ACOM N/CVR
1782017	STEREO, AMP CLARION APX480M

STEERING WHEEL - VESSEL CONTROL SYSTEM

1507326	ACC PART, MERC S-CRFT JUNC BOX 4-WAY
1507334	ACC PART, MERC S-CRFT TERMINATOR JUNC BOX
1312750	CABLE, CLARION REMOTE EXTENSION CABLE 24'
1786903	EMBLEM, S/R WAVE OVAL CHR W/BZL(INTELLIWHEEL)
1507292	HARNESS, ENG SYSTEMS TACH/MONITOR
1774822	HARNESS, INTELIWHEEL S-CRFT CAN INTERFACE 6'
1727448	HARNESS, MERC DATA S-CRFT W/TERM 1000-1RSL-25
1773975	STEERING WHEEL, SPBT INTELIWHEEL METCHRY/BLK
1773980	STEERING, BEZEL INTELIWHEEL MET CHRY/BLK
1773984	STEERING, CLOCKSPRING INTELIWHL ASSY PLAS BLK
1777615	STEERING, PERFORMANCE TILT MECHANISM INTLLWHL

17" VENGEANCE PROP

654319	PROP, 14.5"X 17" VENGEANCE RH
--------	-------------------------------

22" BRAVO 3 SET (2 COUNTER ROTATING PROPS)

708180	PROP, 14.25"X 22" SS BR3 RH
708172	PROP, 15.75"X 22" SS BR3 LH

24" BRAVO 3 SET (2 COUNTER ROTATING PROPS)

708206	PROP, 14.25"X 24" SS BR3 RH
708198	PROP, 15.5"X 24" SS BR3 LH

PREMIUM TRAILER W/ 2ND AXLE DISC BRAKES

1642404	BRAKE KIT, TRAILER TNDM AXLE/DISC
1671502	TRAILER, 200BR/SD TNDM PNTD W/BRKS BLK UPGR

TWO TONE GELCOAT GRAPHICS

1690266	GEL COAT, YELLOW ARMORCOTE
---------	----------------------------

PORTABLE HEAD

130716	HEAD, PORTABLE SANI POTTI PARCHMENT 2.8GAL
--------	--

FILLER CUSHIONS

1764584	BOARD, HDPE 1/2"X 4'X 8' PEARL
1736450	FOAM, P/C 200SD-03 BOW FILR 2PC SET
1745515	LABEL, WARNING DO NOT STAND/WALK THIS AREA
773630	MESH, WHITE 54"
180406	SLIDE, DELRIN #5 WHT 1-S LOCK
1778341	VINYL, NICKEL SR-4983A EXP 1/4" FB
1778337	VINYL, NICKEL SR-4983A EXP FLAT
180182	ZIPPER, #5 DELRIN CONTINUOUS WHT

SIRIUS SATELLITE RADIO

1757933	ANTENNA, SHAKESPEARE SATELLITE RADIO ANTENNA
1768304	STEREO, SIRIUS SATELLITE RCVR SIRCL1-1YR

SPEAKERS FOR WATER SPORTS TOWER

126870	VENT, CLAMSHELL ROPE LCKR 1 5/8"X 1.5"
--------	--

BATTERY ON / OFF SWITCH

1727786	CABLE, BATT KIT 200SD-03 OPT BATT SW/CE
1746901	LABEL, CAUTION BATTERY SWITCH OFF/ALT DAMAGED
1726841	SWITCH, BATTERY ON/OFF N/LCK N/DISC RV1

FIRE SUPPRESSION SYSTEM - AUTOMATIC

1771027	HALON SYS, AUTOMATIC 75CF (1301 HALON) W/CONN
---------	---

1.62 TO 1 HIGH ALTITUDE GEAR RATIO FOR 350

1090869	OUTDRIVE UNIT, MERC ALPHA 1.62:1
---------	----------------------------------

COCKPIT COVER W/ TONNEAU COVER

1753324	CANVAS, 200SD-04 CPC W/SNPS RED
1753322	CANVAS, 200SD-04 TONNEAU CVR RED
1092162	CANVAS, STRG BAG 12X38 CLOUDBRST TONNEAU/CKPT

COMPASS

1771021	COMPASS, FLSHMT 3 7/8" BLK HSE/BLUE LT W/CONN
1791006	COMPASS, FLSHMT 3 7/8" BLK WT HSE/BLU LT W/CONN

BIMINI CANVAS PACKAGE

1753330	CANVAS, 200SD-04 AFT CURT RED
1753331	CANVAS, 200SD-04 CPC N/SNPS RED
1753322	CANVAS, 200SD-04 TONNEAU CVR RED
1780183	CANVAS, 200SD-05 SIDE CURT SET RED
1780179	CANVAS, 200SD-05 VSR CURT 3PC CLR/RED
878652	CANVAS, SPBOAT STRG BAG 10X70 XLRG GREY 97
1092162	CANVAS, STRG BAG 12X38 CLOUDBRST TONNEAU/CKPT

TRANSOM TRIM SWITCH

747261	SWITCH, TILT EXTERNAL MOUNT
--------	-----------------------------

CD CHANGER, 6 DISC

1733835	STEREO, CD CHANGER 6-DISC DCZ625 C-NET
---------	--

1757933	ANTENNA, SHAKESPEARE SATELLITE RADIO ANTENNA
1768304	STEREO, SIRIUS SATELLITE RCVR SIRCL1-1YR

C E OPTION GROUP

1727786	CABLE, BATT KIT 200SD-03 OPT BATT SW/CE
1741577	FOAM, P/C 200SD-03 CONV MTRBX CE OPT 2PC SET
1745514	LABEL, PREVENT DISCHARGE OF POLLUTANTS
1691479	MANUAL, OWNERS - SEA RAY INT'L 12-LANGUAGE
1737651	PLATE, CE OPT C:200SD/8PERSON/635KG
1726841	SWITCH, BATTERY ON/OFF N/LCK N/DISC RV1
413070	TAPE, VAC PAK WHT (2'X 36YDS) PRESERVATION

C E FIRE SYSTEM - EUROPEAN DEALERS ONLY

1771024	FIRE EXT SYS, FM200 75CF GAS-AUTO W/CONN
---------	--

1.81 TO 1 HIGH ALTITUDE GEAR RATIO

1076918	OUTDRIVE UNIT, MERC ALPHA 1.81:1
---------	----------------------------------

2.43 TO 1 BRAVO 3 HIGH ALTITUDE GEAR RATIO

949198	OUTDRIVE (HI-ALT), MERC BR-III 2.43:1
1778005	OUTDRIVE (HI-ALT), MERC BR-III 2.43:1 '05

FORWARD BIMINI TOP & BOOT

1783644	CANVAS, 200SD-05 CAMP TOP BOOT RED
1783643	CANVAS, 200SD-05 CAMP TOP RED

OWNER ORIENTATION VIDEO - PAL FORMAT

1510544	VIDEO, 01 CANVAS INSTALLATION SUNDECK PAL
968339	VIDEO, 97 OWNER ORIENTATION SPBOAT PAL

CANADIAN CONFORMITY STICKER

1741215	LABEL, STICKER 200SD CANADIAN CONFORMITY
---------	--

COCKPIT TABLE W/ DEDICATED STORAGE

876961	BASE, LEG/POST FLUSH MT ALUM
876979	BASE, LEG/POST SURF MT ALUM
795286	CARPET, EXT 12 OZ CHAR #0326 LT NEEDLE PUNCH
1500552	CLIP, TABLE LEG 60MM TUBE BLK
929844	POST, TABLE LEG 26.875" ANOD FLUTED

COCKPIT TABLE W/ DEDICATED STORAGE (continued)

1768943 PVC BOARD, 1/2"X 4'X 8' SR PRL INTEFOAM
1148519 TABLE, T/F CKPT ROUND PRL 99

SWIM LADDER - BOW

1745519 LABEL, DANGER SHUT OFF ENG WHEN NEAR SWIMMERS
1155282 LADDER, SWIM 3-STEP POCKET PRL NYLON COATING

PAINTED TRAILER W/ SECOND AXLE BRAKES

1469543 BRAKE KIT, TRAILER TNDM AXLE-01

GALVANIZED TRAILER W/2ND AXLE DISC BRAKES

1642404 BRAKE KIT, TRAILER TNDM AXLE/DISC
1671270 TRAILER, 200BR/SD GALV W/DISC BRAKES
1760300 TRAILER, 200BR/SD-04 GALV W/DISC BRAKES PRL

WATER SPORTS TOWER W/WAKEBOARD RACKS

1786803 HARNESS, TOWER 87"
1745125 LABEL, SKI TOW ROPE BACKLASH
929026 LIGHT, NAV A/R STERN 84" RG SLIP COLLAR
1783635 SUPPORT, SR-05 ALUM WAKEBOARD RACK ANODIZED
1756505 TOWER, 200SD-03 WTR SPRTS HDWR KIT
1781319 TOWER, 200SD-05 ALUM WTR SPRTS W/STERN LIGHT
126870 VENT, CLAMSHELL ROPE LCKR 1 5/8"X 1.5"
1785693 VINYL FILM, 200SD-05 PLAS CVR W/VENTS W/TWR

GALVANIZED TRAILER W/ DISC BRAKES

1671270 TRAILER, 200BR/SD GALV W/DISC BRAKES
1760300 TRAILER, 200BR/SD-04 GALV W/DISC BRAKES PRL

PREMIUM TRAILER W/ DISC BRAKES

1671502 TRAILER, 200BR/SD TNDM PNTD W/BRKS BLK UPGR