

2002 220BR

PARTS MANUAL

220

BOW RIDER



Sea Ray® Parts Manual, 2002 220 BOW RIDER MRP # 1683973

Sea Ray Boats, 2600 Sea Ray Blvd., Knoxville, TN 37914. For information call 1-800-SRBOATS or fax 1-314-213-7878 (USA and International).

Internet address: <http://www.searay.com>

Note: Not all accessories shown in pictures or described herein are standard equipment or even available as options.

Options and features are subject to change without notice.

Confirm the availability of all accessories and equipment with an authorized Sea Ray® dealer.

2002 220 BOW RIDER

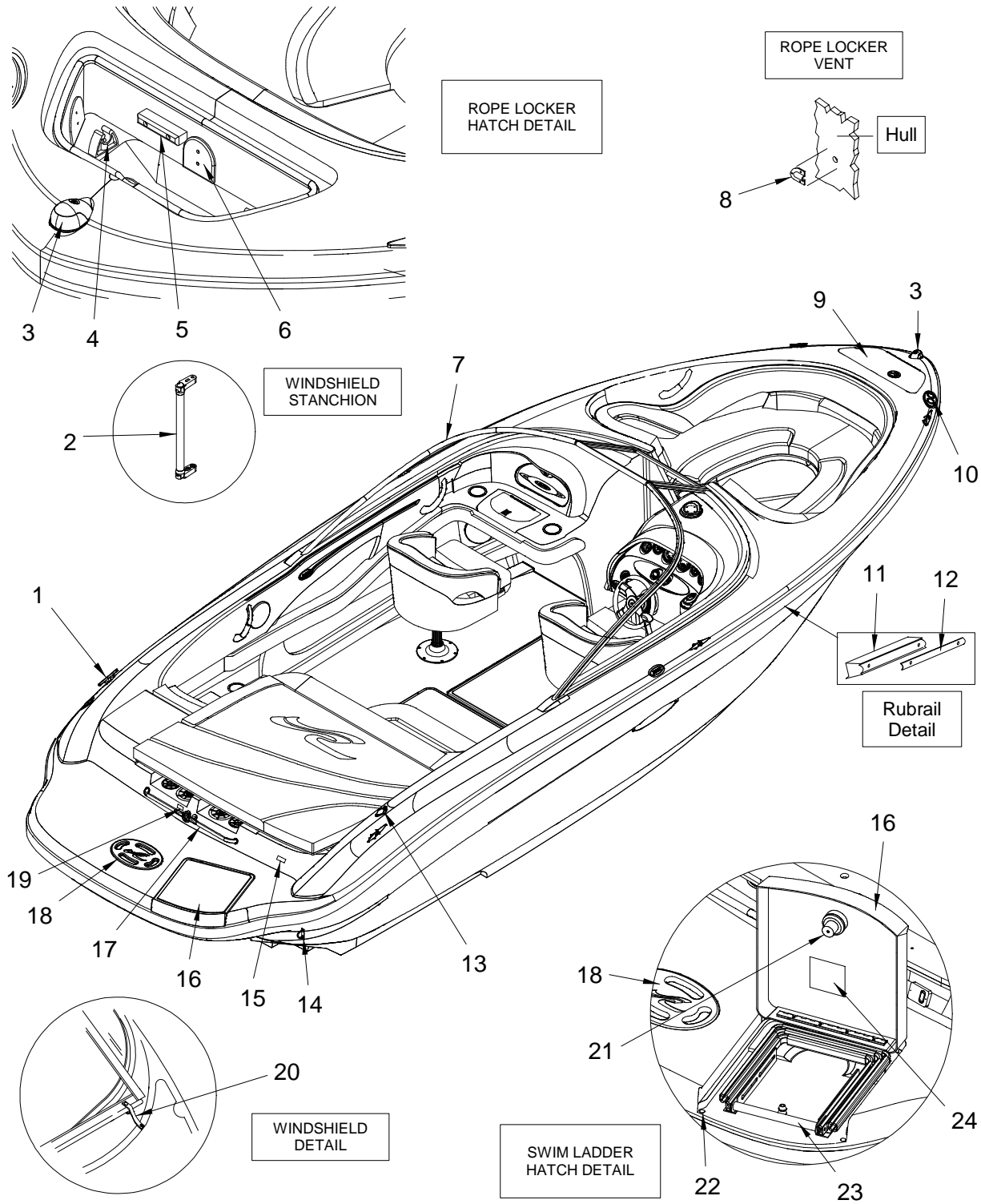
TABLE OF CONTENTS



<u>STANDARD & OPTIONAL LAYOUTS</u>	<u>PAGE</u>
EXTERIOR.....	1, 2
EXTERIOR (GRAPHICS) NO TWO TONE.....	3
EXTERIOR (GRAPHICS) TWO TONE.....	4
COCKPIT (FORWARD PORT VIEW).....	5, 6
COCKPIT (AFT PORT VIEW).....	7
COCKPIT (FORWARD STARBOARD VIEW).....	8, 9
COCKPIT (AFT STARBOARD VIEW).....	10
INSTRUMENT PANEL.....	11
COCKPIT (UPHOLSTERY).....	12, 13
COCKPIT CARPET.....	14
CANVAS (BIMINI TOP).....	15, 16
BILGE.....	17
STEERING SYSTEM.....	18
FUEL SYSTEM.....	19

<u>OPTIONS - PARTS LIST</u>	<u>PAGE</u>
5.7L EFI ALPHA (260 PHP) MCM STERN DRIVE.....	20
5.7L EFI BR 3 (260 PHP) MCM STERN DRIVE.....	20
5.0L EFI ALPHA (240 PHP) MCM STERN DRIVE.....	20
5.0L EFI BR3 (240 PHP) MCM STERN DRIVE.....	20
MX 6.2 MPI BR 3 (320 PHP) MCM STERN DRIVE.....	20
5.0L MPI ALPHA (260 PHP) MCM STERN DRIVE.....	20
5.0L MPI BR 3 (260 PHP) MCM STERN DRIVE.....	20
BOW RIDER FILLER CUSHION.....	20
BATTERY ON / OFF SWITCH.....	20
FIRE SUPPRESSION SYSTEM - AUTOMATIC.....	20
BATTERY SWITCH-DUAL W/ 2ND TRAY SINGLE ENG.....	20
SWISS SPECS.....	20
WINDSHIELD WIPER (STARBOARD).....	20
GALVANIZED TRAILER.....	20
COMPASS.....	20
BIMINI CANVAS PACKAGE.....	20
TRANSOM TRAILER TRIM SWITCH.....	20
ITALY / SEPARATE BOW LIGHTS.....	20
TWO TONE GELCOAT GRAPHICS.....	20
C E OPTION GROUP.....	20
C E FIRE SYSTEM - EUROPEAN DEALERS ONLY.....	20
1.81 TO 1 HIGH ALT.GEAR RATIO.....	20
1.62 TO 1 ALPHA HIGH ALTITUDE GEAR RATIO.....	20
2.43 TO 1 MPI BRAVO 3 HIGH ALT.GEAR RATIO.....	20
OWNER ORIENTATION VIDEO - PAL FORMAT.....	20
PAINTED TRAILER W/ SECOND AXLE BRAKES.....	20
GALVANIZED TRAILER W/ SECOND AXLE.....	20
PRECISION PILOT OPTION.....	20, 21
WATER SPORTS TOWER W/ INTEGRAL BIMINI TOP.....	21
STBD BUCKET / PORT B/B - SUNPAD & AFT SEAT.....	21
BLACK CANVAS OPTION.....	21
PREMIUM TRAILER PACKAGE - PAINTED TRLS ONLY.....	21

EXTERIOR



EXTERIOR

1	1463470	CLEAT, 8.5" SEA RAY SS
	1473040	PLATE, BACKING UNIVERSAL 3/16"
2	1192657	SUPPORT, W/S 210BR-99
3	1414887	LIGHT, NAV COMBO BOW SS W/CONN REV1
4	590646	CLIP, POLE STRG BLK - MAST LIGHT
5	609883	CLEAT, PLAS 3/4"X 1"X 4" GREY
6	1635481	GUARD, HDPE 200/220BR-02 ROPE LCKR ANCHOR PRL
7	1121920	W/S, 190/210BR-99 CMLPT W/O SUPPORTS
8	126870	VENT, CLAMSHELL ROPE LCKR 1 5/8"X 1.5"
9	1683974	220BR 02,HATCH,R/L
	1658061	HINGE, SS CONT 1.5"X 11" W/1/8" PIN
	1365550	LATCH, FLUSH T-HNDL W/O LOCK BLK
10	1413475	HORN, DUAL BLK W/SPADE CONNECTORS SERIES 84
	1401736	HORN, GRILL DUAL SS OVERLAY SERIES 84
11	1641794	RUBRAIL, PVC PEARL 19"SS INSERT 1.825"W
	1641778	RUBRAIL, PVC PEARL 16"SS INSERT 1.825"W
12	1080100	INSERT, RUB RAIL SS 3/4"X 12' (.062/304SS)
	1095959	INSERT, RUB RAIL SS 3/4"X 10' (.062/304SS)
13	1537364	LIGHT, NAV BASE ONLY STERN W/CON TEARDROP RV1
	1618388	LIGHT, NAV A/R STERN 72"13DEG RG THRNUT
14	126599	EYE, STERN 1/2"X 3 7/16" W/BACKING PLATE
15	1112879	LABEL, DANGER SHUT OFF ENG WHEN NEAR SWIMMERS
16	1683975	220BR 02,HATCH,SWM LDR
	620948	HINGE, SS CONT 2"X 14"
17	883421	RAIL, STERN 190/210BR/CB W/SKI TOW POLISHED
	1473040	PLATE, BACKING UNIVERSAL 3/16"
18	1291103	INSERT, HDPE SWMPLTFM W/SR LOGO PRL
19	852525	LABEL, SKI TOW ROPE BACKLASH
20	1688738	220BR 02,STRAP,W/S BLK W/SNAPS CMLPT
21	1118314	CATCH, RBR SUNPAD HOLD-DOWN
22	274373	BUMPER, CANOE CLIP MED WHT
23	1473750	LADDER, SWIM 3-STEP SS CONCEALED REV2 GUDGNS
	909317	LADDER, TREAD 11.75"
	909325	LADDER, TREAD 12 7/8"
	973446	LADDER, TREAD 10 3/8"
	1225754	LADDER, SWIM GUIDE SS BTM
	1225762	LADDER, SWIM MID "U"
	1225770	LADDER, SWIM TOP "U"
	1225788	LADDER, SWIM BTM "U"
	1225796	LADDER, SWIM GUIDE 1/2" MID
	1225804	LADDER, SWIM ANGLE STOP SS PORT
	1225812	LADDER, SWIM GUIDE SS 7/8" MID
	1225820	LADDER, SWIM SLIDE BUTTERFLY
	1225838	LADDER, SWIM ANGLE STOP SS STBD
	1682293	LADDER, SWIM HDWR KIT FOR MRP #1473750
24	1573112	LABEL, LADDER MAINTENANCE

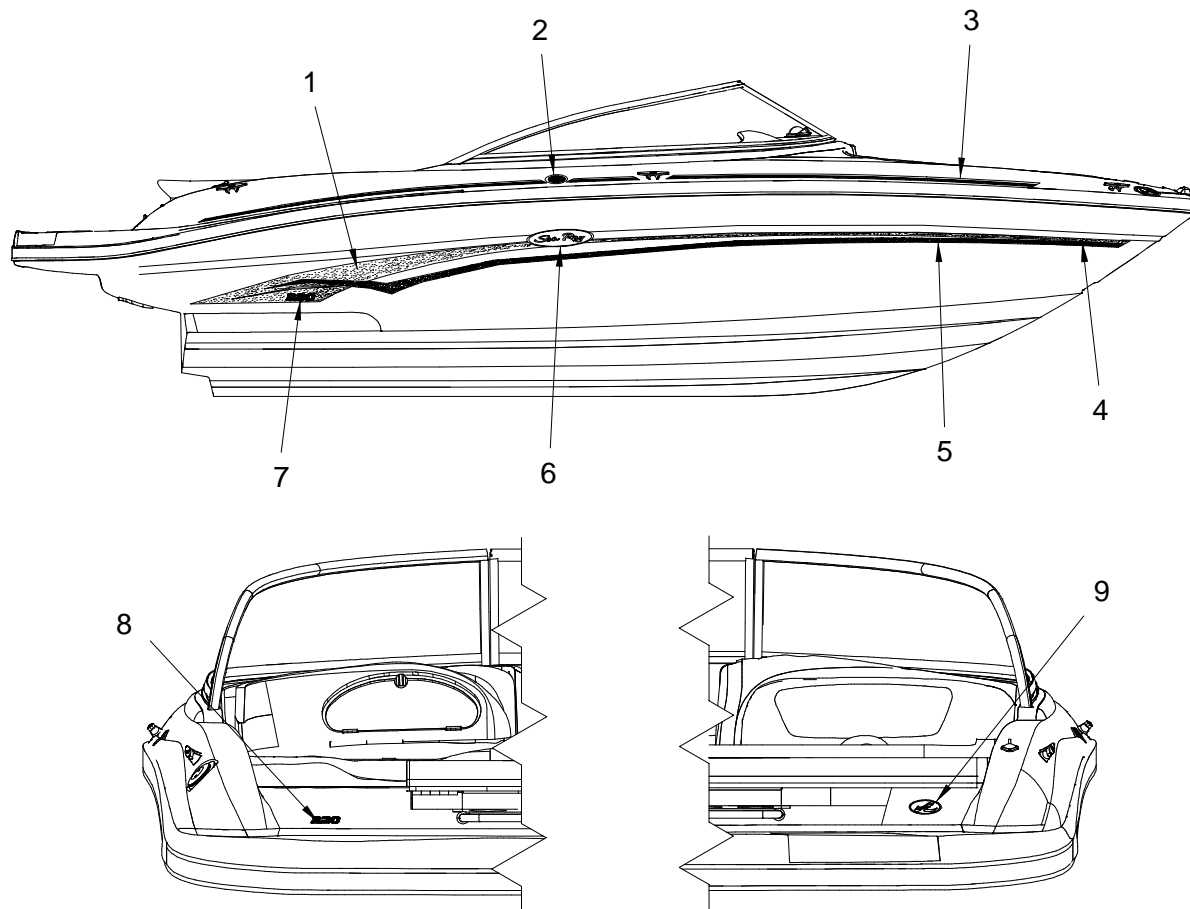
NOT SHOWN DECALS/ LABELS

1518737	DECAL, SEA RAY OWNERS CLUB (NBOA)
	LOCATED ON STBD. W/S
642108	DECAL, STRUCTURAL WARRANTY
	LOCATED ON STBD. W/S
996199	LABEL, ABYC MEMBERSHIP
	LOCATED ON STBD. W/S
129122	LABEL, NMMA CERTIFIED
	LOCATED ON STBD. W/S

TRAILER

1677236	TRAILER, 220BR-02 TNDM PNTD W/BRKS BLK
1677244	TRAILER, 220BR-02 TNDM PNTD W/BRKS BLUE
1677251	TRAILER, 220BR-02 TNDM PNTD W/BRKS GRN
557991	TIE DOWN, TRAILER STRAP 2" X 37" W/JAY HOOK

EXTERIOR (GRAPHICS) NO TWO TONE



EXTERIOR (GRAPHICS) NO TWO TONE

- 1 1641810 TAPE, APP 220BR-02 BLK/UMLTANT STB HULL
- 1641828 TAPE, APP 220BR-02 GLXYBL/UMLTANT STB HULL
- 1641836 TAPE, APP 220BR-02 HNTRGR/UMLTANT STB HULL
- 1641844 TAPE, APP 220BR-02 BLK/UMLTANT PRT HULL
- 1641851 TAPE, APP 220BR-02 GLXYBL/UMLTANT PRT HULL
- 1641869 TAPE, APP 220BR-02 HNTRGR/UMLTANT PRT HULL
- 2 596494 EMBLEM, OVAL 220 CHROME
- 3 1616960 TAPE, M/S 1/2"W/1/8"VOID BLK/UMLTANT
- 1631670 TAPE, M/S 1/2"W/1/8"VOID GLXYBL/UMLTANT
- 1631688 TAPE, M/S 1/2"W/1/8"VOID HNTRGR/UMLTANT
- 4 1629724 TAPE, M/S 1" N/VOID BLK/UMLTANT
- 5 1686728 TAPE, SOLID 1 1/8" BLACK
- 1686729 TAPE, SOLID 1 1/8" GALAXY BLUE
- 1686730 TAPE, SOLID 1 1/8" HUNTER GREEN
- 6 1443183 EMBLEM, "SEA RAY" SCRIPT HULL LOGO CHR 13"
- 7 1641323 EMBLEM, MODEL DESG 220 PRO URETHANE BLK W/CHR
- 8 1641315 EMBLEM, MODEL DESG 220 TRNSM URTHN BLK W/CHR
- 9 1443191 EMBLEM, S/R WAVE 5" OVAL CHR TRNSM

EXTERIOR GRAPHICS BLUE

- 1650910 GRAPHICS KIT, 220BR-02 GLXYBL/UMLTANT

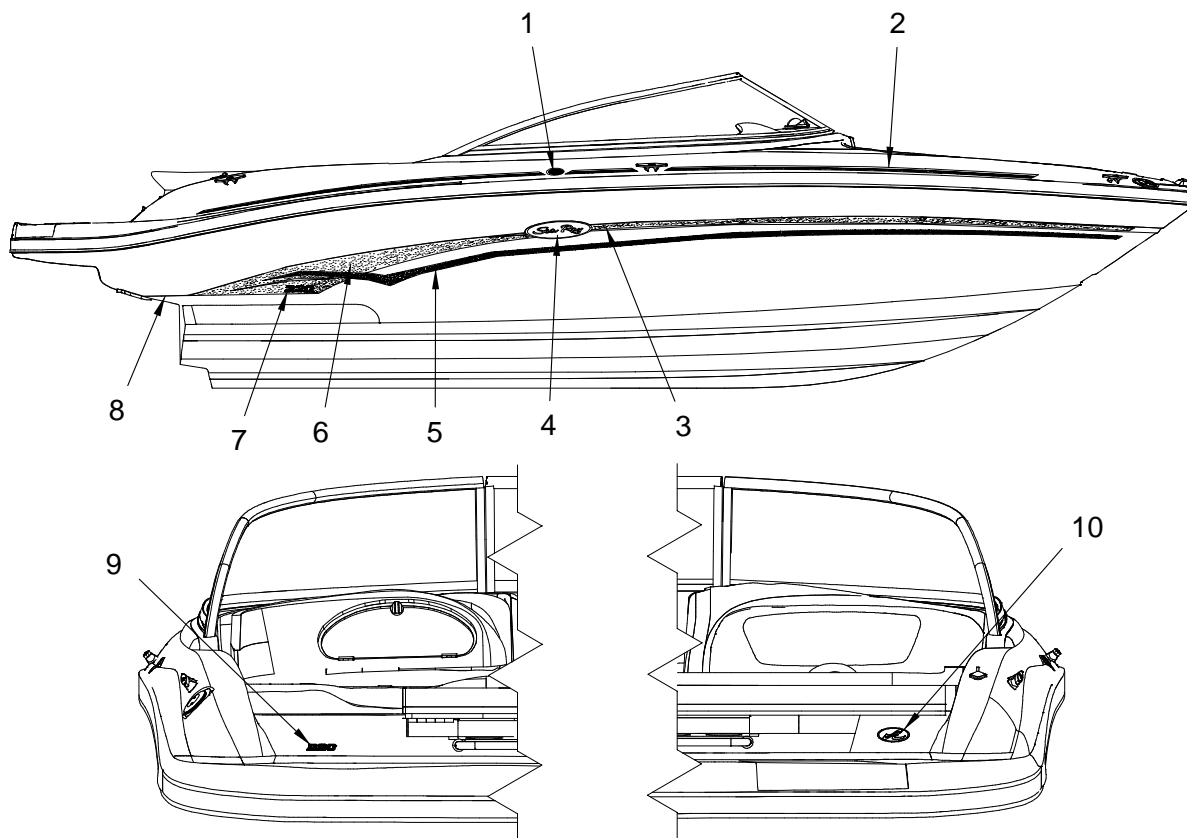
EXTERIOR GRAPHICS GREEN

- 1651009 GRAPHICS KIT, 220BR-02 HNTRGR/UMLTANT

EXTERIOR GRAPHICS BLACK/GOLD

- 1650894 GRAPHICS KIT, 220BR-02 BLK/UMLTANT

EXTERIOR (GRAPHICS) TWO TONE



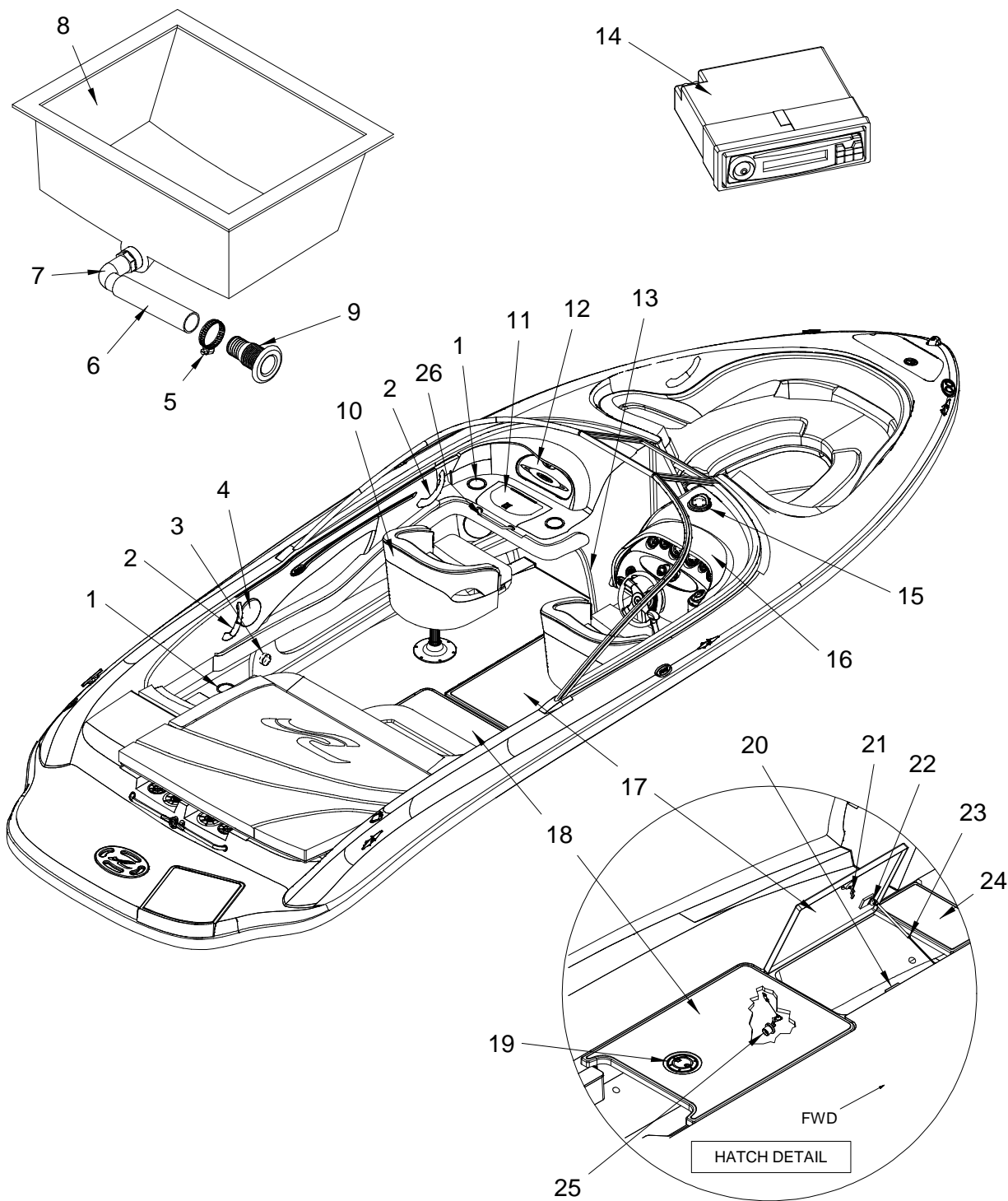
EXTERIOR (GRAPHICS) TWO TONE

MISCELLANEOUS

- 1 596494 EMBLEM, OVAL 220 CHROME
- 2 1616960 TAPE, M/S 1/2"W/1/8"VOID BLK/UMLTANT
- 1631670 TAPE, M/S 1/2"W/1/8"VOID GLXYBL/UMLTANT
- 1631688 TAPE, M/S 1/2"W/1/8"VOID HNTRGR/UMLTANT
- 3 1629724 TAPE, M/S 1" N/VOID BLK/UMLTANT
- 4 1443183 EMBLEM, "SEA RAY" SCRIPT HULL LOGO CHR 13"
- 5 1686728 TAPE, SOLID 1 1/8" BLACK
- 1686729 TAPE, SOLID 1 1/8" GALAXY BLUE
- 1686730 TAPE, SOLID 1 1/8" HUNTER GREEN
- 6 1641810 TAPE, APP 220BR-02 BLK/UMLTANT STB HULL
- 1641828 TAPE, APP 220BR-02 GLXYBL/UMLTANT STB HULL
- 1641836 TAPE, APP 220BR-02 HNTRGR/UMLTANT STB HULL
- 1641844 TAPE, APP 220BR-02 BLK/UMLTANT PRT HULL
- 1641851 TAPE, APP 220BR-02 GLXYBL/UMLTANT PRT HULL
- 1641869 TAPE, APP 220BR-02 HNTRGR/UMLTANT PRT HULL
- 7 1641323 EMBLEM, MODEL DESG 220 PRO URETHANE BLK W/CHR
- 8 693234 TAPE, SOLID 1/4" BLACK F/R
- 1121136 TAPE, SOLID 1/4" GALAXY BLUE CPM
- 1121144 TAPE, SOLID 1/4" HUNTER GREEN CPM
- 9 1641315 EMBLEM, MODEL DESG 220 TRNSM URTHN BLK W/CHR
- 10 1443191 EMBLEM, S/R WAVE 5" OVAL CHR TRNSM

- 1642149 TAPE, MOLD MASK 220BR-02 PRT
- 1642156 TAPE, MOLD MASK 220BR-02 STB

COCKPIT (FORWARD PORT VIEW)



COCKPIT (FORWARD PORT VIEW)

- 1 1156009 DRINKHOLDR, PLAS 4"X 3" MUG SZ PRL W/NPL
- 2 1521160 HANDLE, GRAB PRL CUSTOM SR W/1/4" SS STUDS
- 3 840868 LIGHT, COURTESY ROUND W/FROSTED LENS 12V/5W
- 4 1690555 SPEAKER, COAXIAL 6.5" W/WHT CVR
- 1690558 GRILL, SPEAKER 6.5" ACOM WHT
- 5 123398 CLAMP, HOSE #06M 5/16"-7/8" SS MINI
- 6 857706 HOSE, CORR VAC 5/8" PVC BILGE GREY
- 7 167874 ELBOW, GENOVA 1/2"MPT X 1/2"BARB X 90DEG
- 8 868307 COOLER, 190/210BR/CB PORT DASH 97
- 9 1098425 THRU-HULL, PLAS 5/8" PEARL
- 10 1688713 220BR 02, SEAT, BKT W/THRSE CMPLT
SEE UPHOLSTERY PAGE FOR DETAILS
- 11 1588193 LID, HDPE SPBOATS-02 DASH COOLER PORT FLAX
- 174557 LIFT RING, FLUSH CHR/ZINC 1.75" X 1 3/8"
- 1688746 HINGE, 220BR-02 DASH COOLER LID
- 12 1626001 GLOVEBOX, ASSY 200/220BR-02 W/HDWR FLAX
- 1382282 LATCH, GLOVEBOX 190/210
- 13 1156348 TRIM, EDGE PEARL MOTOR BOX LARGE
- 14 1635127 STEREO, AM/FM CD PLAYER DIGITAL REMOTE READY
- 1598465 STEREO, REMOTE CNTRL W/DIGITAL DISPLAY SS
- 1581560 ANTENNA, AMPLIFIED 13398
- 1312750 CABLE, CLARION REMOTE EXTENSION CABLE 24'
- 15 1617638 COMPASS, FLUSH MT 3 7/8" BLK HOUSE/GRN LIGHT
OPTIONAL
- 16 1611011 DASH ASSY, 200/220BR-02 FLAX
(HULL # 3001-3182)
- 1686587 DASH ASSY, 200/220BR-02 FLAX REV1
(HULL # 3182-UP)
- 17 1683356 220BR 02, HATCH, SKI
- 844746 HINGE, SS CONT 1.5"X 32" W/1/8"PIN
- 18 1683355 220BR 02, HATCH, FUEL TANK
- 19 1155993 ACCESS PLATE, POLYPROP W/O-RING 4" PEARL
- 20 609883 CLEAT, PLAS 3/4"X 1"X 4" GREY
- 21 1365550 LATCH, FLUSH T-HNDL W/O LOCK BLK
- 22 732792 BRACKET, SS GAS CYL 90DEG 2.062" W/STUD
HATCH
- 634550 BRACKET, SS GAS CYL 90DEG L-BRKT W/BALL LONG
DECK
- 23 826305 CYLINDER, GAS 40PSI 20"EXT X 12"COMP
- 24 1683357 220BR 02, HATCH, FWD
- 25 156224 PLUG, DRAIN PLUG SNAPTITE 7/8"
- 418632 LANYARD, W/TAB/RING
- 26 776153 RAIL, GRAB 12" OVAL W/FLANGES

LABELS

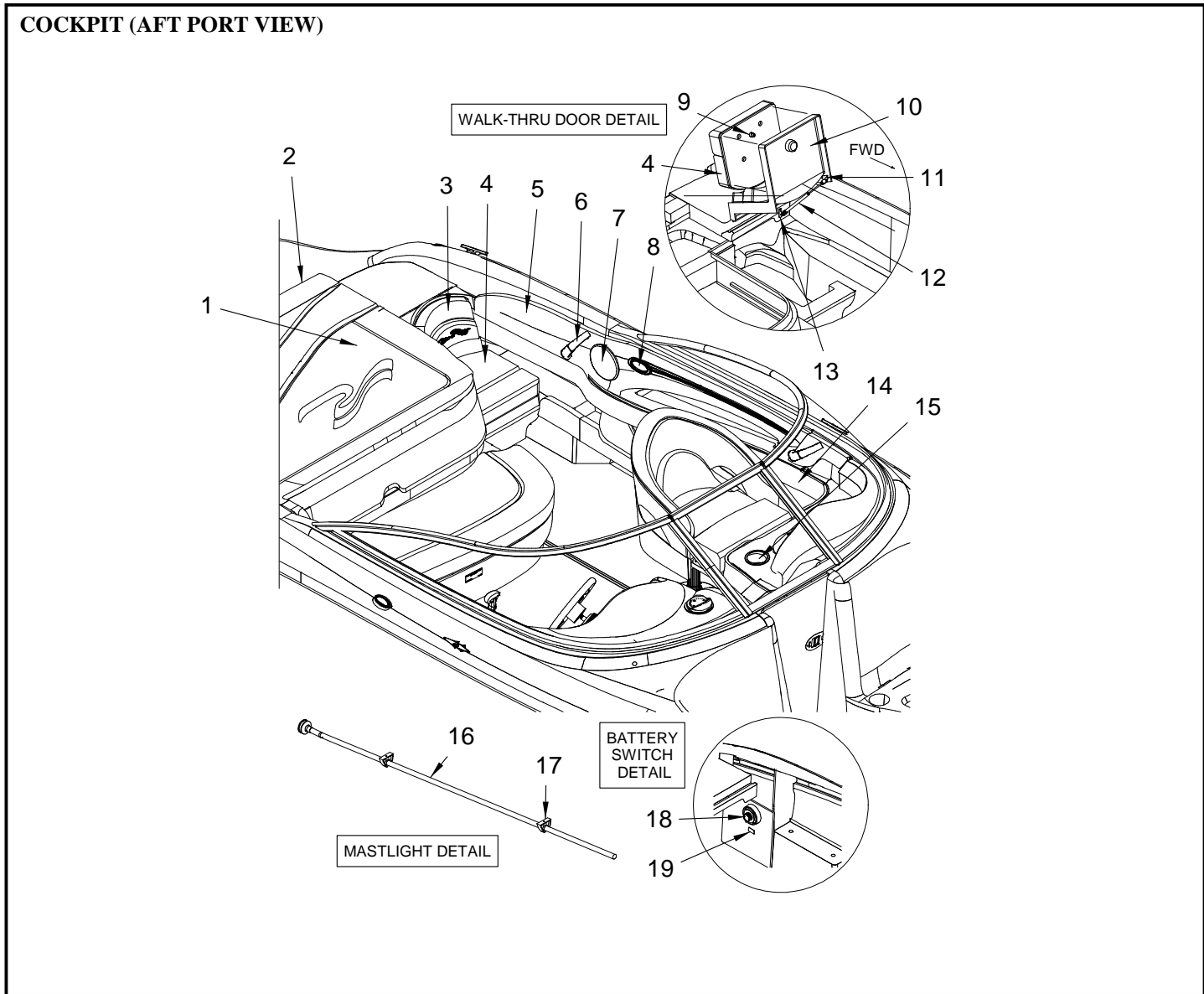
- 1369743 LABEL, DANGER CO FUMES W/CANVAS
- 722041 LABEL, DANGER/WARNING COMBO CNTRL STA
- 962985 LABEL, FIRE PORT ACCESS-KEEP CLEAR
- 551689 LABEL, WARNING PYHY FIRE EXT PRT (LEXAN)
- 1657824 PLATE, NMMA 02-220BR
- 1687655 LABEL, INFO REPL PROD/BROCH/DLRLOC/ETC.

OWNERS PACKET

- 1657832 PACKET, MULTI-INFO 220BR-02

OWNERS PACKET CONTENTS

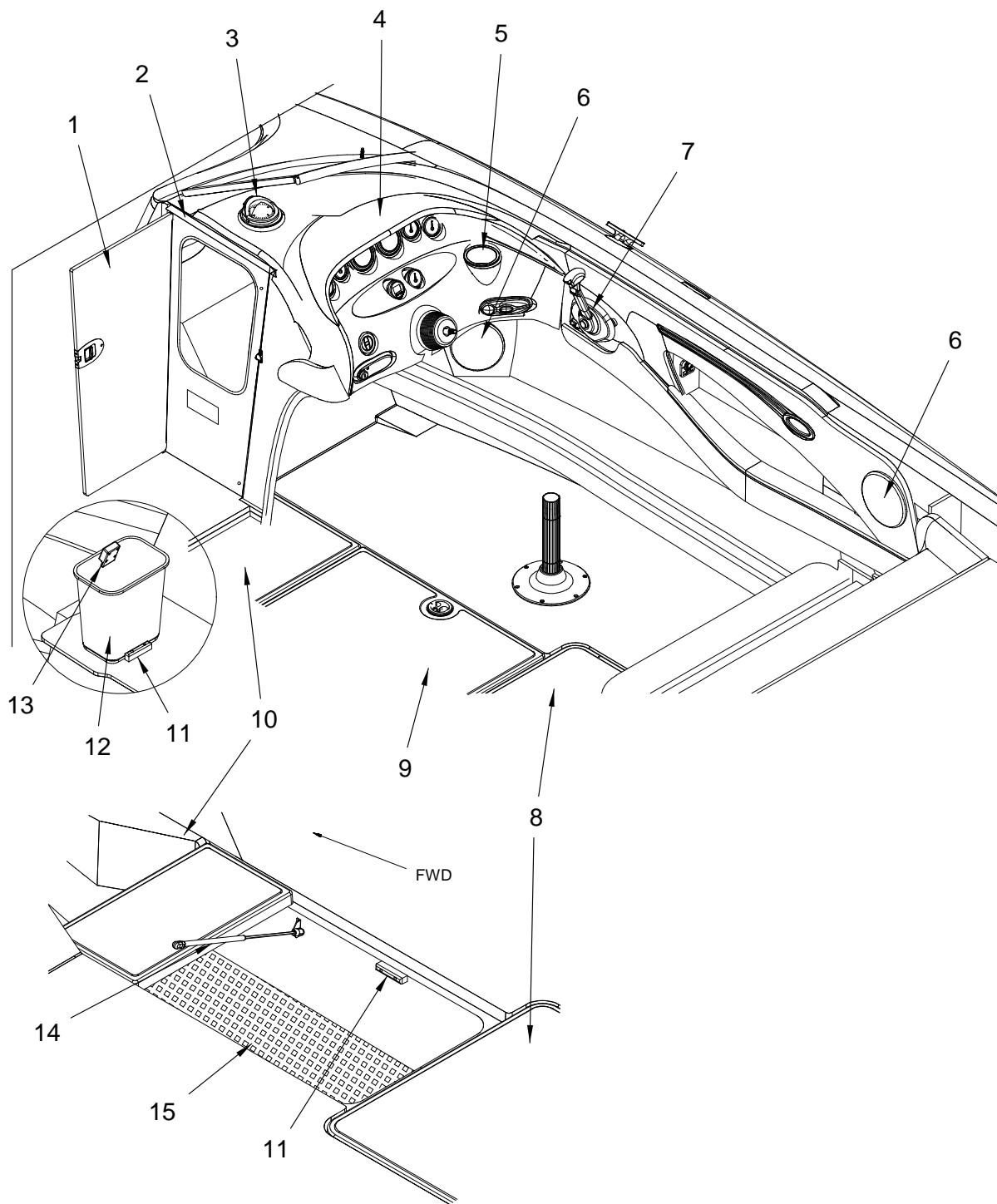
- 1689433 MANUAL, OWNERS - 220BR-02 TEN TAB BOOK
- 1655893 SUPPLEMENT, OWNERS MAN'L 02-220BR
- 1491828 MANUAL, "KNOW MORE ABOUT IT"
- 704502 CARD, EXPRESS LIMITED TRANSFERABLE WARRANTY
- 865204 GUIDE, ABS/ACRYLIC CLEANING/REPAIR
- 929828 CARD, BOATING GUIDE
- 434191 CARD, NAVIGATIONAL INTERNATIONAL
- 764316 DOCUMENT, CANVAS LTD WARRANTY
- 388736 CHECK LIST, IN SERVICE - SP BOATS
- 471219 BOOKLET, "HOW TO KEEP STAINLESS STAINLESS"
- 1093830 CARD, CANVAS INSTRUCTION - SPBOAT
- 1093988 PACKET, OWNERS 2-COMP LEGAL SIZE CANVAS BLK
- 140061 PLUG, DRAIN PLUG SNAPTITE 1/2"
- 1411404 ENVELOPE, DEALER INFORMATION
- 1507912 CARD, PASSPORT TO SAVINGS
- 1507920 CARD, CARBON MONOXIDE WARNING
- 1507938 CARD, TALOR WINDSHIELD/GLASS CARE
- 1510767 VIDEO, 01 CANVAS INSTALLATION BR/CLSD BOW
- 833749 FUSE BOX, SPARE W/6 ATC BLADE STYLE
- 954164 VIDEO, 97 OWNER ORIENTATION SPBOAT NTSC
- 1683973 MANUAL, PARTS 02 220BR



COCKPIT (AFT PORT VIEW)

- 1 1683366 220BR 02,SUNPAD
SEE UPHOLSTERY SECTION FOR DETAILS
- 2 1626407 HINGE, SS CONT 4"X 5" W/1/4"PIN
- 3 1683360 220BR 02,BLSTR,WALK-THRU HATCH
SEE UPHOLSTERY SECTION FOR DETAILS
- 4 1683362 220BR 02,CUSH,WALK-THRU HATCH
SEE UPHOLSTERY SECTION FOR DETAILS
- 5 1683387 220BR 02,SIDE PNL,PRT UPR CMLPT
- 6 1521160 HANDLE, GRAB PRL CUSTOM SR W/1/4" SS STUDS
- 7 1690555 SPEAKER, COAXIAL 6.5" W/WHT CVR
1690558 GRILL, SPEAKER 6.5" ACOM WHT
- 8 596494 EMBLEM, OVAL 220 CHROME
1629245 INSERT, BURL 200/220BR-02 CKPT UPR S/PNL PORT
- 9 1118314 CATCH, RBR SUNPAD HOLD-DOWN
- 10 1683359 220BR 02,HATCH,WALK-THRU
844753 HINGE, SS CONT 2"X 15" W/1/8" PIN
- 11 817676 BRACKET, SS LIFT CYL 90DEG 0.70" W/STUD RT
- 12 817643 CYLINDER, GAS 40PSI 17.2"EXT X 10.2"COMP
- 13 634592 BRACKET, SS GAS CYL FLAT W/BALL STUD
- 14 1683393 220BR 02,BLSTR,PRT DASH
- 15 1156009 DRINKHOLDR, PLAS 4"X 3" MUG SZ PRL W/NPL
- 16 1618388 LIGHT, NAV A/R STERN 72"13DEG RG THRNUT
- 17 590646 CLIP, POLE STRG BLK - MAST LIGHT
- 18 766089 SWITCH, BATTERY ON/OFF W/O LOCK W/O DISC
OPTIONAL
- 19 921767 LABEL, CAUTION BATTERY SWITCH OFF/ALT DAMAGED
OPTIONAL

COCKPIT (FORWARD STARBOARD VIEW)



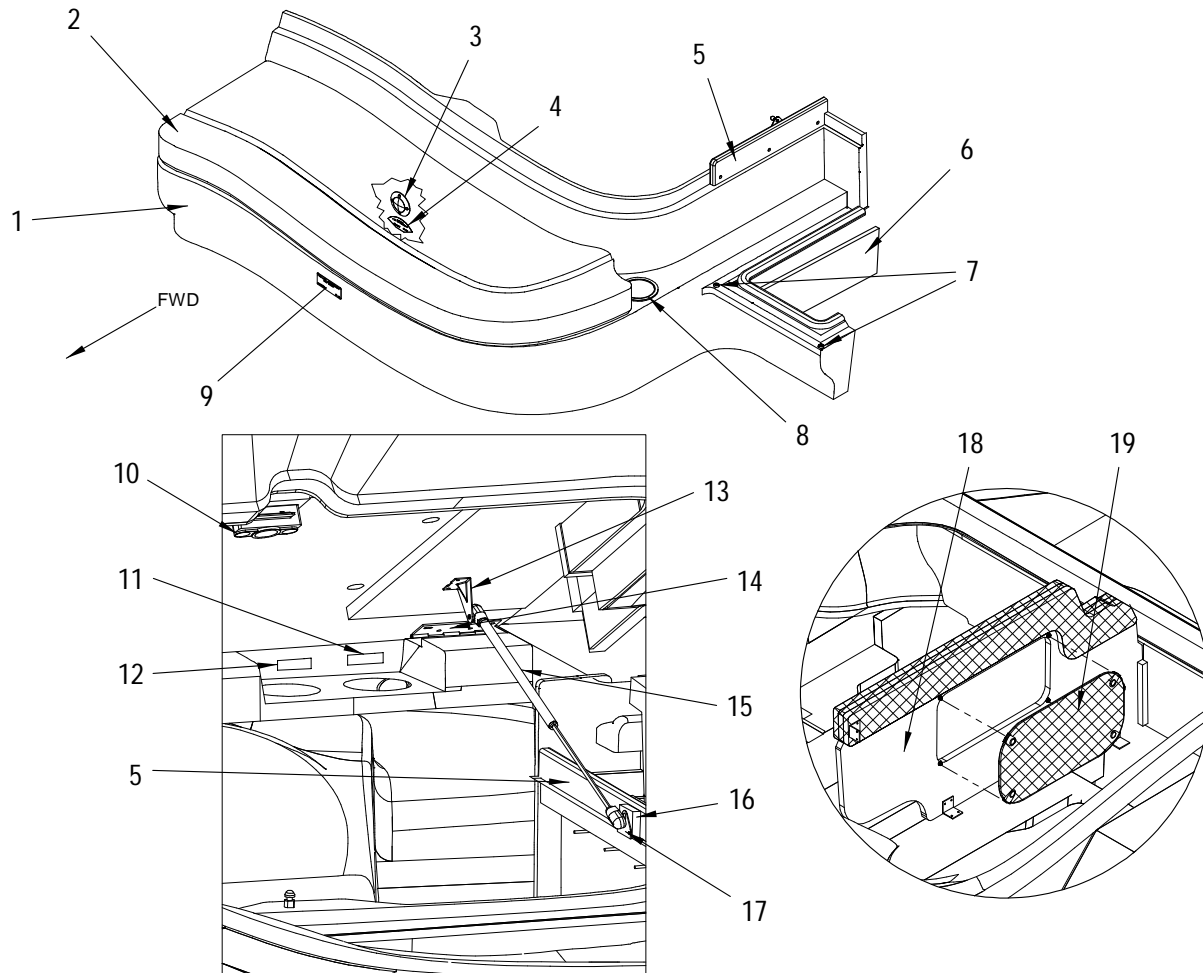
COCKPIT (FORWARD STARBOARD VIEW)

- 1 1656750 DOOR, HDPE 220BR-02 BOW WALK-THRU PRL
- 1684898 DOOR KEEPER, #7729 BLK PLAS FOR OMNI 1/2"
- 1612381 LATCH, #7746 OMNI FLAT 1/2"NI LCK BMPR OPSIT
- 1684897 STRIKER, #7742 SS FOR OMNI FLAT CLSD POSTN
- 532820 LABEL, DISPOSAL OF GARBAGE
- 158386 TRIM, EDGE BLACK PEBBLE 3/8"
- 1656511 BUMPER, BLACK ROUND RBR W/WSHR
- 2 1165257 TRIM, PLAS ANGLE 15/16"X 15/16" TAPERED PRL
- 3 1617638 COMPASS, FLUSH MT 3 7/8" BLK HOUSE/GRN LIGHT
- OPTIONAL**
- 4 1611011 DASH ASSY, 200/220BR-02 FLAX
- (HULL # 3001-3182)
- 1686587 DASH ASSY, 200/220BR-02 FLAX REV1
- (HULL # 3182-UP)
- 5 204271 DRINKHOLDR, PLAS 4"X 3" MUG SZ BLK
- 6 1690555 SPEAKER, COAXIAL 6.5" W/WHT CVR
- 1690558 GRILL, SPEAKER 6.5" ACOM WHT
- 7 1458900 CONTROL, REM THRTL/SHIFT CLSC 4000 W/CONN
- 8 1683355 220BR 02,HATCH,FUEL TANK
- 9 1683356 220BR 02,HATCH,SKI
- 10 1683357 220BR 02,HATCH,FWD
- 11 609883 CLEAT, PLAS 3/4"X 1"X 4" GREY
- 12 431098 BASKET, TRASH 11 3/8"X 8.25"X 12 1/8" BEIGE
- 13 1083419 BLOCK, HDPE 185/190SDOB/210-98 XL HOOK
- 14 826305 CYLINDER, GAS 40PSI 20"EXT X 12"COMP
- 15 1264506 FLOORING, PVC MAT SKI WELL WHT 22"X 54"

NOT SHOWN

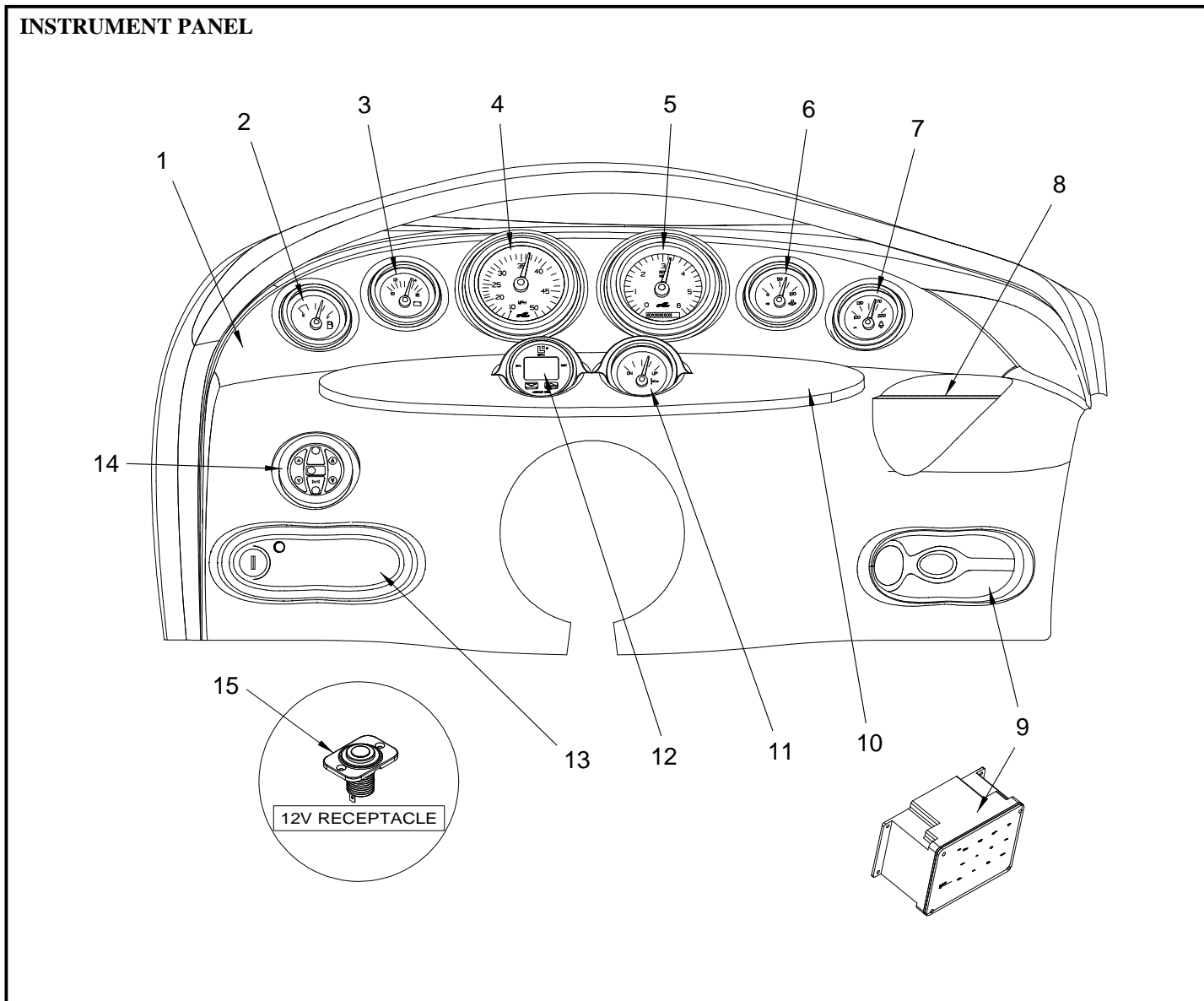
- 1227412 LIGHT, NAV STERN FLUSH MT RND CHR/BRS N/STUDS

COCKPIT (AFT STARBOARD VIEW)



COCKPIT (AFT STARBOARD VIEW)

- 1 1683358 220BR 02,BASE,AFT BNCHST FBRGLS
- 2 1683364 220BR 02,CUSH,AFT BNCHST
SEE UPHOLSTERY SECTION
- 3 1083419 BLOCK, HDPE 185/190SDOB/210-98 XL HOOK
- 4 1615988 ACCESS PLATE, FIRE PRT WHT W/WHT PLAS INSERT
- 5 551689 LABEL, WARNING PYHY FIRE EXT PRT (LEXAN)
- 6 1668417 SUPPORT, HDPE 220BR-02 SUNPAD PORT
- 7 1689283 220BR 02,BLKHD,JMPST SUPPORT
- 8 274373 BUMPER, CANOE CLIP MED WHT
- 9 1156009 DRINKHOLDR, PLAS 4"X 3" MUG SZ PRL W/NPL
- 10 962985 LABEL, FIRE PORT ACCESS-KEEP CLEAR
- 11 1219948 LATCH, HATCH/SUNPAD BLK PLAS (ASAHI DENSO)
- 12 1668409 SHIM, HDPE 220BR-02 SUNPAD LATCH
- 13 852632 LABEL, WARNING LEAKING FUEL
- 14 811000 LABEL, DANGER TRNSM DOOR (LEXAN)
- 15 732792 BRACKET, SS GAS CYL 90DEG 2.062" W/STUD
PRT SIDE ONLY
- 16 634550 BRACKET, SS GAS CYL 90DEG L-BRKT W/BALL LONG
STBD SIDE ONLY
- 17 1626407 HINGE, SS CONT 4"X 5" W/1/4" PIN
- 18 813980 CYLINDER, GAS 80PSI 20"EXT X 12"COMP
- 19 1654284 SHIM, HDPE 200/220BR-02 GAS SHOCK BRACKET
- 20 634592 BRACKET, SS GAS CYL FLAT W/BALL STUD
- 21 1689282 220BR 02,BLKHD,SNPD STB SUPPORT
- 22 1688785 220BR 02,CANVAS,BLG FLAP



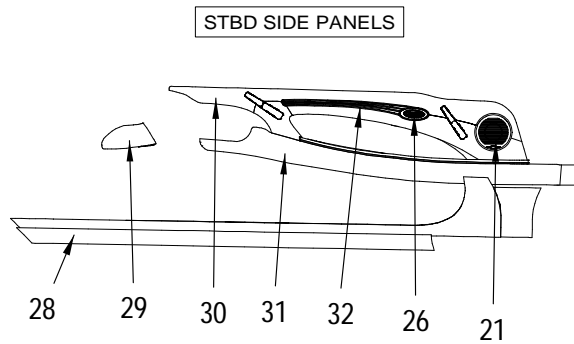
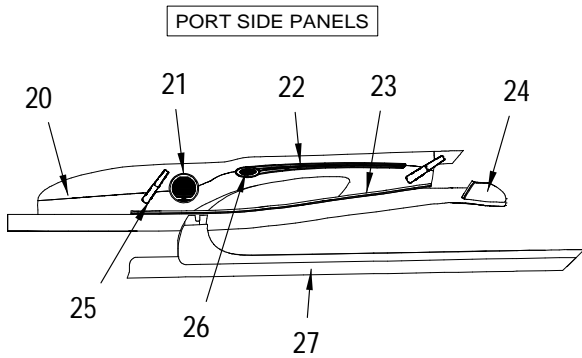
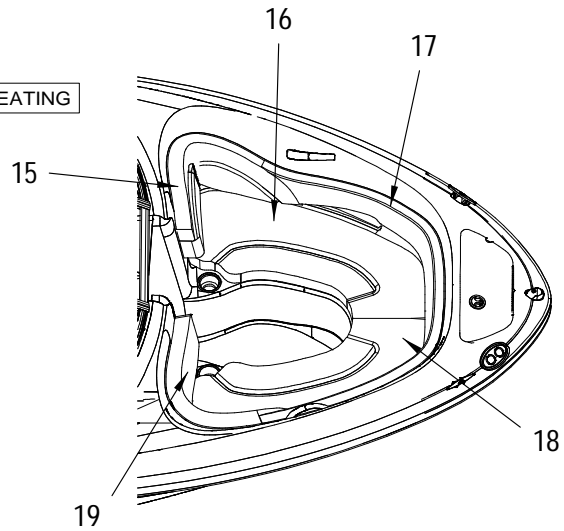
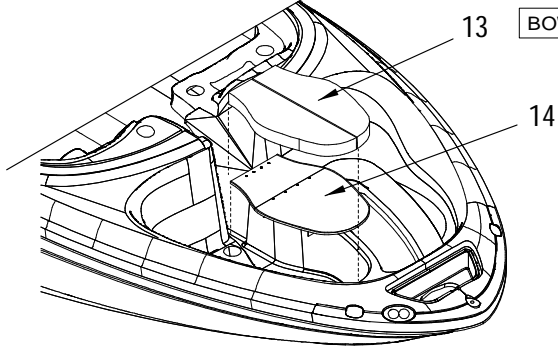
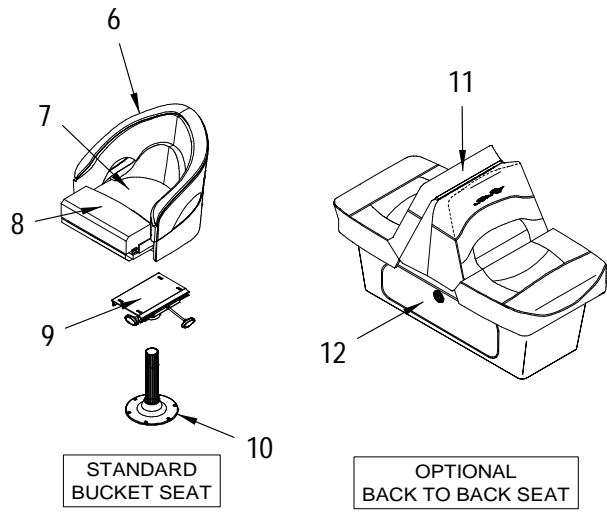
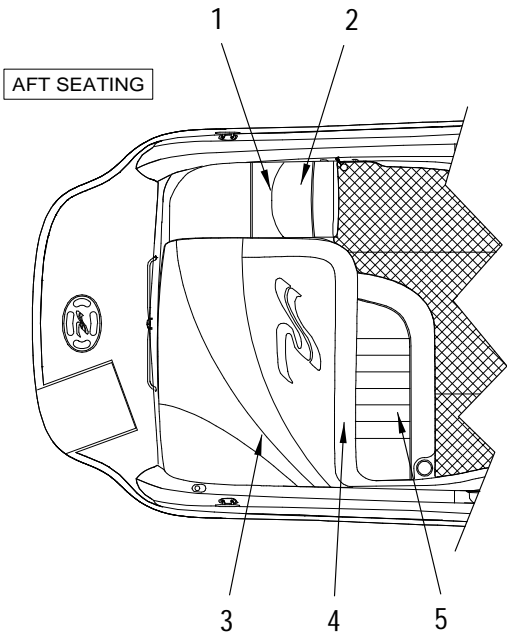
INSTRUMENT PANEL

HARNESSES

- 1 1611011 DASH ASSY, 200/220BR-02 FLAX
(HULL # 3001-3182)
- 1686587 DASH ASSY, 200/220BR-02 FLAX REV1
(HULL # 3182-UP)
- 1688741 DASH ASSY, BLANK:200/220BR-02 FLAX
- 2 1291285 GAUGE, FUEL 2" SGL STA 12V MLSS A/F
- 3 1291277 GAUGE, VOLTMETER 10-16 MLSS A/F
- 4 757906 CLAMP, HOSE SPRING 1/4" OD SELF TIGHTENING SS
- 1291467 GAUGE, SPEEDO 65 MPH 3" MLSS A/F
- 5 1291418 GAUGE, TACH/LCDHOUR 3"6K GAS 12V MLSS A/F
- 6 1291327 GAUGE, OIL PRESS 0-80 2" 12V MLSS A/F
- 7 1291509 GAUGE, WATER TEMP 220 DEG 12V MLSS A/F
- 8 204271 DRINKHOLDR, PLAS 4"X 3" MUG SZ BLK
- 9 1586650 MODULE, ELEC KEYPAD W/BCKLT 2002 BURL
- 1587682 MODULE, ELEC INTERFACE 2002
- 10 1611037 PANEL, BLANK:200/220BR-02 SECONDARY INST
- 11 1291533 GAUGE, TRIM TELE (MERC) MLSS A/F
- 12 1669571 DEPTH FINDER, LOWRANCE 3500 GREY W/O BEZEL 02
- 987693 DEPTH FINDER, BEZEL GRY W/CHR OVERLAY
- 825802 BEZEL, TRIM RING
- 13 1586585 PANEL, IGN SW 2002 GAS VNDR BURL
- 14 1598465 STEREO, REMOTE CNTRL W/DIGITAL DISPLAY SS
- 15 1287283 RECEPTACLE, FEMALE 12V LONG THRD BLK

- 1611029 HARNESSES, 200/220BR-02 WIRE

COCKPIT (UPHOLSTERY)



COCKPIT (UPHOLSTERY)

1	1683360	220BR 02,BLSTR,WALK-THRU HATCH
	1683361	220BR 02,BLSTR SKIN,WALK-THRU HATCH
2	1683362	220BR 02,CUSH,WALK-THRU HATCH
	1683363	220BR 02,CUSH SKIN,WALK-THRU HATCH
3	1683366	220BR 02,SUNPAD
	1683367	220BR 02,SUNPAD SKIN
	1626407	HINGE, SS CONT 4"X 5" W/1/4"PIN
4	1688787	220BR 02,BLSTR AFT BNCHST
	1688745	220BR 02,BLSTR SKN,AFT BNCHST
5	609883	CLEAT, PLAS 3/4"X 1"X 4" GREY
	1683364	220BR 02,CUSH,AFT BNCHST
	1683365	220BR 02,CUSH SKIN,AFT BNCHST
6	1688713	220BR 02,SEAT,BKT W/THRSE CMPLT
	1688714	220BR 02,CUSH SKN,BKT ST W/THRSE CMPLT
	1689260	220BR 02,SEAT,BKT BACK ONLY
	1689261	220BR 02,SEAT,BKT SKN BACK ONLY
	1441195	SHELL, BKT SEAT SPBT/SPCR-01 W/THGHRS
7	1688715	220BR 02,CUSH,BTM BKT ST W/THRSE
	1688716	220BR 02,CUSH SKN,BTM BKT ST W/THRSE
8	1688717	220BR 02,LEG ROLL,BKT SEAT
	1688718	220BR 02,LEG ROLL,SKN,BKT SEAT
	964890	BRACKET, H/S FOLDUP 2PC RV2
9	1141183	SLIDE ASSY, SEAT MILLENNIUM 10.5" MNT HOLES
10	1154020	PEDESTAL, ALUM 11.25" RIBBED W/DELCUP
11	1668821	B/B SEAT, SPBT-02 PLTNM/PWTR MIST/FLAX
12	1158302	DOOR, STRG W/8.5"X 26.75" PRL FRAME
	1515162	LATCH, STRG DOOR FOR #1333152
	1515170	HINGE, STRG DOOR FOR #1158302
	1515188	FRAME, STRG DOOR FOR #1158302
	1688786	220BR 02,BASE,B/B SEAT FBRGLS
13	1683368	220BR 02,CUSH,BOW FILLER
	1683369	220BR 02,CUSH SKIN,BOW FILLER
14	1688742	220BR 02,SUPPORT,BOW FILR BOARD SET
	1688743	220BR 02,SUPPORT,BOW FILR BOARD FWD
	1688744	220BR 02,SUPPORT,BOW FILR BOARD AFT
15	1683370	220BR 02,BLSTR,PRT AFT BOW
	1683371	220BR 02,BLSTR SKIN,PRT AFT BOW
16	1683375	220BR 02,CUSH,PRT BOW
	1683377	220BR 02,CUSH SKIN,PRT BOW
17	1683381	220BR 02,BLSTR,BOW FWD
	1683382	220BR 02,BLSTR SKIN,BOW FWD
18	1683378	220BR 02,CUSH,STB BOW
	1683380	220BR 02,CUSH SKIN,STB BOW
19	1683372	220BR 02,BLSTR,STB AFT BOW
	1683374	220BR 02,BLSTR SKIN,STB AFT BOW
20	1683387	220BR 02,SIDE PNL,PRT UPR CMPLT
	1688728	220BR 02,SIDE PNL,PRT UPR TOP
	1688729	220BR 02,SIDE PNL,PRT UPR BTM
21	1690555	SPEAKER, COAXIAL 6.5" W/WHT CVR
	1690558	GRILL, SPEAKER 6.5" ACOM WHT
22	1629245	INSERT, BURL 200/220BR-02 CKPT UPR S/PNL PORT
23	1683385	220BR 02,ARMRST,PRT CMPLT
	1688721	220BR 02,ARMRST,PRT TOP ONLY
	1683383	220BR 02,ARMRST,PRT BTM ONLY
24	1683393	220BR 02,BLSTR,PRT DASH
	1688732	220BR 02,BLSTR SKN,PRT DASH
25	1521160	HANDLE, GRAB PRL CUSTOM SR W/1/4" SS STUDS
26	596494	EMBLEM, OVAL 220 CHROME
27	1683390	220BR 02,SIDE PNL,PRT LWR ASSY
	1688733	220BR 02,SIDE PNL,ACCENT ONLY PRT
	1688734	220BR 02,SIDE PNL,LWR ONLY PRT
28	1683391	220BR 02,SIDE PNL,STB LWR ASSY
	1688735	220BR 02,SIDE PNL,ACCENT ONLY STB
	1688737	220BR 02,SIDE PNL,LWR ONLY STB
29	1683394	220BR 02,BLSTR,STB DASH
	1683386	220BR 02,BLSTR SKN,STB DASH
30	1683388	220BR 02,SIDE PNL,STB UPR CMPLT
	1688730	220BR 02,SIDE PNL,STB UPR TOP
	1688731	220BR 02,SIDE PNL,STB UPR BTM
31	1688723	220BR 02,ARMRST,STB CMPLT
	1688726	220BR 02,ARMRST,STB TOP ONLY
	1683384	220BR 02,ARMRST,STB BTM ONLY
32	1629260	INSERT, BURL 200/220BR-02 CKPT UPR S/PNL STBD

VINYL

1579838	VINYL, GRANDE D PLATINUM EXP FLAT
1600253	VINYL, SEABROOK D PLATINUM EXP 1/4"F/B

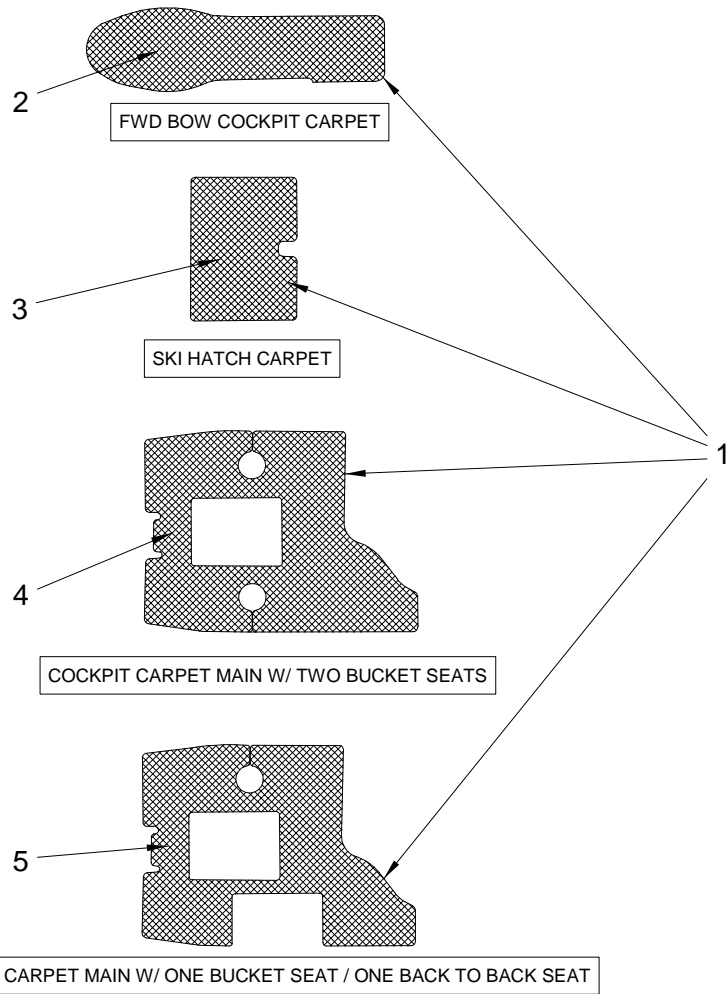
VINYL - ACCENT

1579788	VINYL, GRANDE D FLAX EXP FLAT
1579770	VINYL, GRANDE D FLAX EXP 1/4"F/B

CARPET

1579846	CARPET, EXT 24 OZ MOCHA #9230 BT BULKHEADS AND STORAGE AREAS
---------	--

COCKPIT CARPET



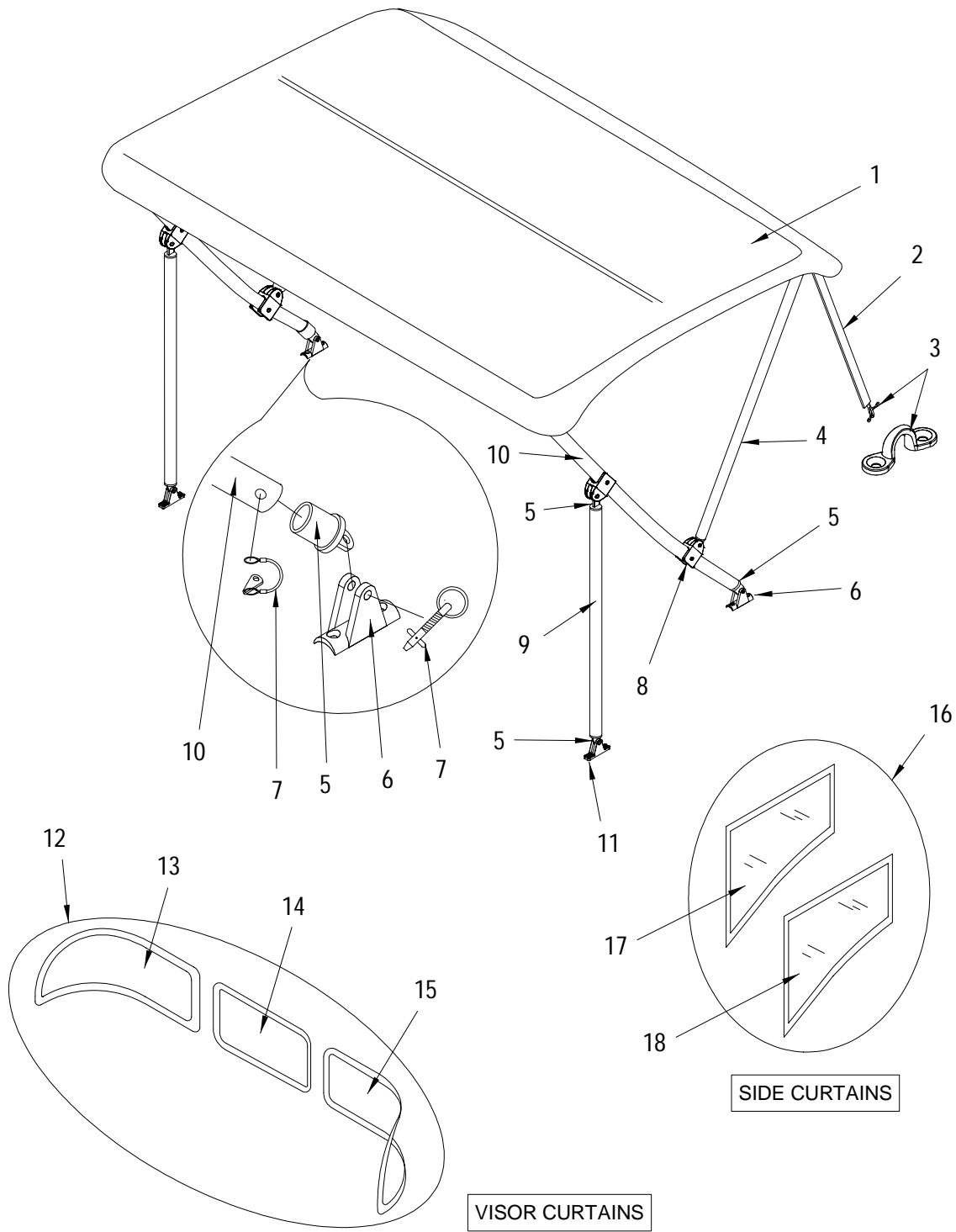
COCKPIT CARPET

- 1 1683395 220BR 02,CARPET,SNPN CKPT CMLPT 2BKT
- 1689256 220BR 02,CARPET,SNPN CKPT CMLPT 1BKT/1B/B
- 2 1683396 220BR 02,CARPET,SNAPIN BOW
- 3 1683399 220BR 02,CARPET,SKI HATCH
- 4 1688719 220BR 02,CARPET,SNPN CKPT ONLY 2BKT
- 5 1688720 220BR 02,CARPET,SNPN CKPT ONLY 1BKT OPT

CARPET SNAP-IN

- 1609916 CARPET, EXT 28 OZ DUNE PEBBLE #902 RL 7FT

CANVAS (BIMINI TOP)



CANVAS (BIMINI TOP)

- 1 1627504 CANVAS, 200/220BR-02 BIM TOP PTY
- 1627520 CANVAS, 200/220BR-02 BIM TOP MEDB
- 1627546 CANVAS, 200/220BR-02 BIM TOP HNTR
- 1645902 CANVAS, 200/220BR-02 BIM TOP BLK
- 1627512 CANVAS, 200/220BR-02 BIM TOP BOOT W/EMB PTY
- 1627538 CANVAS, 200/220BR-02 BIM TOP BOOT W/EMB MEDB
- 1627553 CANVAS, 200/220BR-02 BIM TOP BOOT W/EMB HNTR
- 1645910 CANVAS, 200/220BR-02 BIM TOP BOOT EMB BLK
- 2 1200302 CANVAS, 190/210BR-99 BIM TOP FWD STAP BLK
- 3 148031 EYE, STRAP EYE TIE-DOWN
- 4 1200278 CANVAS, 190/210BR-99 BIM TOP BOW2 N/HDWR
- 5 595488 CAP, INSIDE EYE END 7/8" GREY NYLON
- 6 174953 HINGE, DECK CONCAVE 1" SS CONV TOP
- 7 1357854 PIN, PULL 1.25" TOGGLE W/RING LNYRD SPRING SS
- 8 439307 SLIDE, JAW SLIDE 7/8"
- 9 1200310 CANVAS, 190/210BR-99 BIM TOP REAR STAN
- 10 1200252 CANVAS, 190/210BR-99 BIM TOP BOWS W/HDWR
- 1200260 CANVAS, 190/210BR-99 BIM TOP MAIN BOW N/HDWR
- 1200294 CANVAS, 190/210BR-99 BIM TOP HDWR MNT PKG
- 11 663393 HINGE, DECK, ANGLE W/PULL PIN HOLE
- 12 1627975 CANVAS, 200/220BR-02 VISOR CURT 3PC CLR/PTY
- 1627991 CANVAS, 200/220BR-02 VISOR CURT 3PC CLR/MEDB
- 1628015 CANVAS, 200/220BR-02 VISOR CURT 3PC CLR/HNTR
- 1645993 CANVAS, 200/220BR-02 VISOR CURT 3PC CLR/BLK
- 13 1628031 CANVAS, 200/220BR-02 VISOR CURT PORT CLR/PTY
- 1628080 CANVAS, 200/220BR-02 VSR CURT PRT CLR/MEDB
- 1628114 CANVAS, 200/220BR-02 VSR CURT PRT CLR/HNTR
- 1646009 CANVAS, 200/220BR-02 VISOR CURT PORT CLR/BLK
- 14 1628064 CANVAS, 200/220BR-02 VISOR CURT CTR CLR/PTY
- 1628098 CANVAS, 200/220BR-02 VSR CURT CTR CLR/MEDB
- 1628122 CANVAS, 200/220BR-02 VSR CURT CTR CLR/HNTR
- 1646017 CANVAS, 200/220BR-02 VISOR CURT CTR CLR/BLK
- 15 1628072 CANVAS, 200/220BR-02 VISOR CURT STBD CLR/PTY
- 1628106 CANVAS, 200/220BR-02 VSR CURT STB CLR/MEDB
- 1628130 CANVAS, 200/220BR-02 VISOR CURT STBD CLR/HNTR
- 1646025 CANVAS, 200/220BR-02 VISOR CURT STBD CLR/BLK
- 16 1627702 CANVAS, 200/220BR-02 SIDE CURT SET W/SNP PTY
- 1627710 CANVAS, 200/220BR-02 SIDE CURT SET W/SNP MEDB
- 1627728 CANVAS, 200/220BR-02 SIDE CURT SET W/SNP HNTR
- 1645969 CANVAS, 200/220BR-02 SIDE CURT SET W/SNP BLK
- 17 1627819 CANVAS, 200/220BR-02 SIDE CURT PORT PTY
- 1627868 CANVAS, 200/220BR-02 SIDE CURT PORT MEDB
- 1627900 CANVAS, 200/220BR-02 SIDE CURT PORT HNTR
- 1645977 CANVAS, 200/220BR-02 SIDE CURT PORT BLK
- 18 1627850 CANVAS, 200/220BR-02 SIDE CURT STBD PTY
- 1627884 CANVAS, 200/220BR-02 SIDE CURT STBD MEDB
- 1627926 CANVAS, 200/220BR-02 SIDE CURT STBD HNTR
- 1645985 CANVAS, 200/220BR-02 SIDE CURT STBD BLK

AFT CURTAIN

- 1651785 CANVAS, 220BR-02 AFT CURT W/SNPS PTY
- 1651819 CANVAS, 220BR-02 AFT CURT W/SNPS MEDB
- 1651892 CANVAS, 220BR-02 AFT CURT W/SNPS HNTR
- 1651900 CANVAS, 220BR-02 AFT CURT W/SNPS BLK

COCKPIT COVER OPTION

- 1651652 CANVAS, 220BR-02 BIM CPC N/SNPS PTY
- 1627579 CANVAS, 200BR-02 BIM CPC N/SNPS MEDB
- 1627587 CANVAS, 200BR-02 BIM CPC N/SNPS HNTR
- 1645928 CANVAS, 200BR-02 BIM CPC N/SNPS BLK
- 148411 POLE, CKPT CVR SUPPORT ADJ

TONNEAU COVER OPTION

- 1651694 CANVAS, 220BR-02 TONNEAU CVR W/SNPS PTY
- 1651702 CANVAS, 220BR-02 TONNEAU CVR W/SNPS MEDB
- 1651710 CANVAS, 220BR-02 TONNEAU CVR W/SNPS HNTR
- 1651728 CANVAS, 220BR-02 TONNEAU CVR W/SNPS BLK
- 314112 SUPPORT, ADJUSTABLE POLE CANVAS

BIMINI TOP WITH WATER SPORTS TOWER

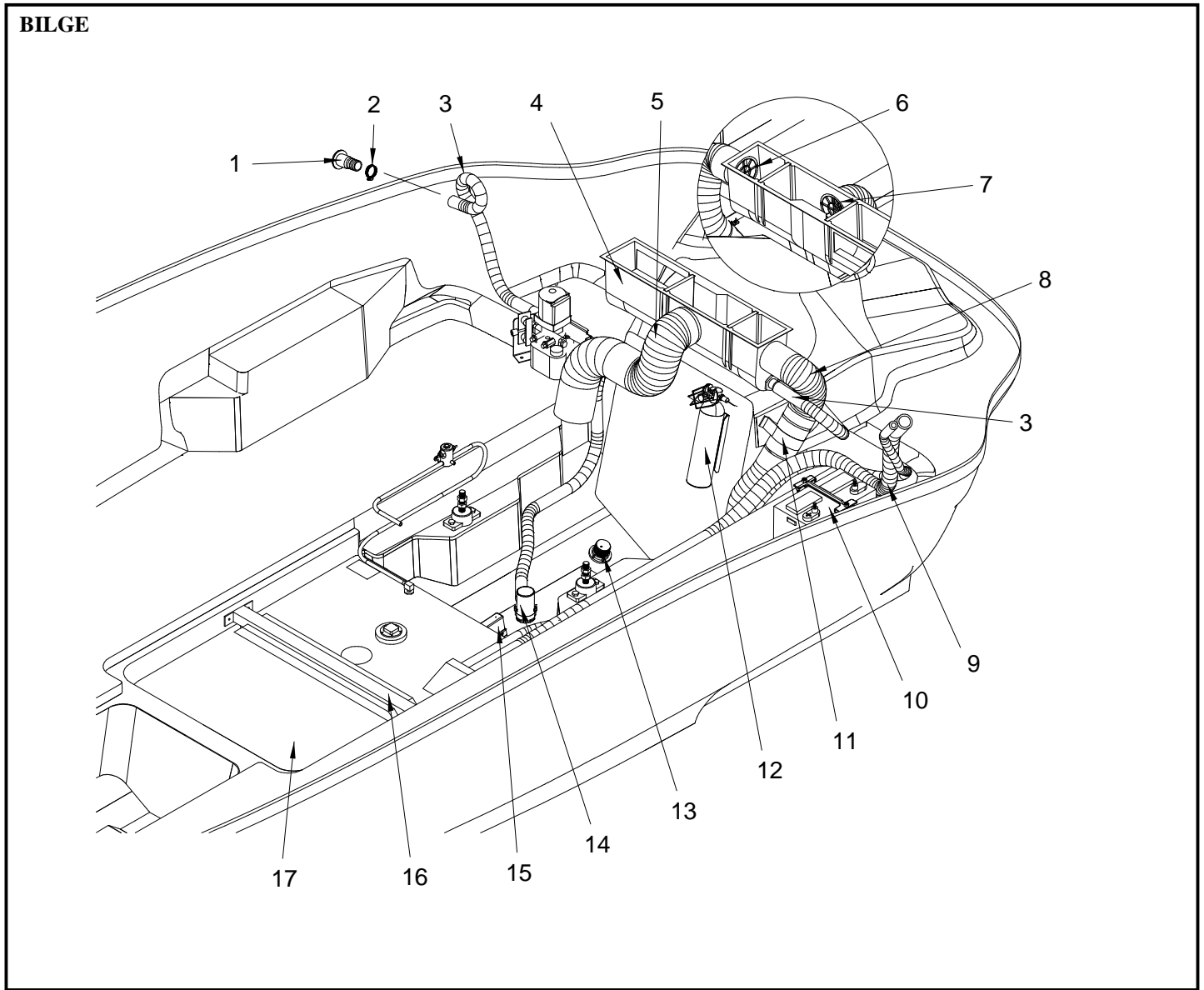
- 1685209 CANVAS, 220BR-02 BIM TOP W/TWR PTY
- 1647478 CANVAS, 220BR-02 BIM TOP W/TWR MEDB
- 1647486 CANVAS, 220BR-02 BIM TOP W/TWR HNTR
- 1685211 CANVAS, 220BR-02 BIM TOP W/TWR BLK
- 1685208 CANVAS, 220BR-02 BIM TOP BOOT W/TWR PTY
- 1674720 CANVAS, 220BR-02 BIM TOP BOOT W/TWR MEDB
- 1674738 CANVAS, 220BR-02 BIM TOP BOOT W/TWR HNTR
- 1685210 CANVAS, 220BR-02 BIM TOP BOOT W/TWR BLK
- 1685214 CANVAS, 220BR-02 BIM CPC W/TWR W/SNPS PTY

BIMINI TOP WITH WATER SPORTS TOWER (continued)

- 1529973 CANVAS, 220BR-02 BIM CPC W/TWR W/SNPS MEDB
- 1473065 CANVAS, 220BR-02 BIM CPC W/TWR W/SNPS HNTR
- 1685213 CANVAS, 220BR-02 BIM CPC W/TWR W/SNPS BLK

CANVAS RAW MATERIAL

- 1596808 CANVAS, SUNBRELLA PUTTY TWEED 60"
- 1596816 CANVAS, SUNBRELLA PUTTY TWEED 60" W/BC
- 1193762 CANVAS, SUNBRELLA MEDITERRANEAN TWEED 60"BLUE
- 1193770 CANVAS, SEAMARK MEDITERRANEAN TWEED 60"W/BC
- 1130061 CANVAS, SUNBRELLA HUNTER TWEED 60" GRN
- 1130079 CANVAS, SEAMARK HUNTER TWEED 60" W/BC
- 1616341 CANVAS, SUNBRELLA BLACK 60" BLK
- 1645456 CANVAS, SEAMARK BLACK "W/BC



BILGE

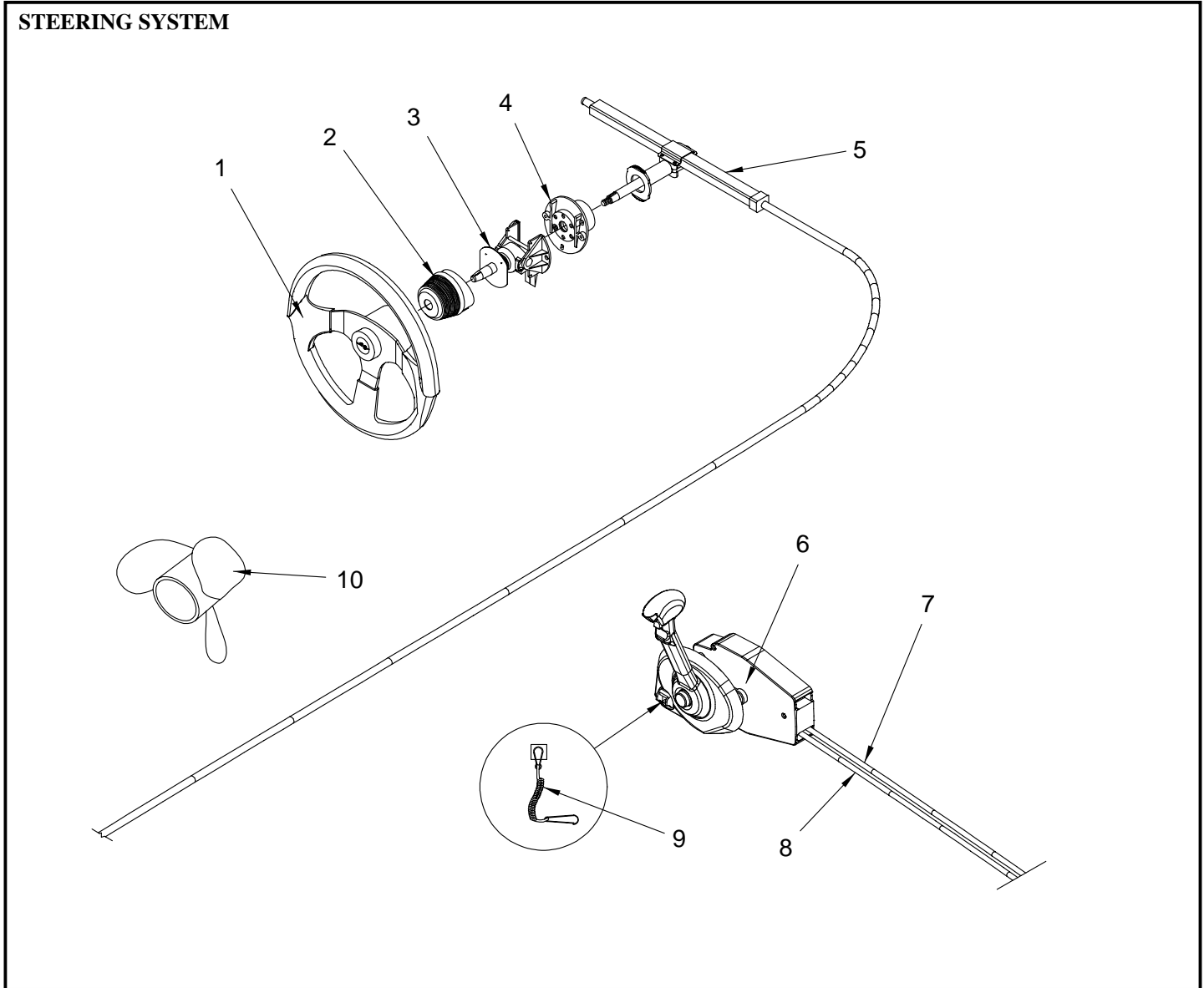
- 1 1098417 THRU-HULL, PLAS 1 1/8" PRL
- 2 256685 CLAMP, HOSE #16 3/4"-1.5" SS .505
- 3 123901 HOSE, CORR BILGE 1 1/8" BLK
- 4 1670025 COLLECTOR BOX, DECK VENT ABS 220BR-02
- 5 1661255 HOSE, VENT/BLOWER 5" EX HVY DTY
- 6 716159 VENT, PLAS GRILL 4" BLK
- 7 1661180 VENT, PLAS GRILL 5" BLK
- 8 124016 HOSE, VENT/BLOWER 4" EX HVY DTY
- 9 123745 HOSE, FUEL 1.5" TYPE A CLASS 2
- 10 1239458 HOLDER, BATTERY GR27/31 BLK NYLON W/SS
- 930990 CABLE, BATT BLK 68" #2AWG LUG 3/8"RING
- 1615111 CABLE, BATT RED 105" 2AWG LUG 3/8" RING
- 1216514 BOOT, BATTERY CABLE 4/0 BLK 1"
- 1216522 BOOT, BATTERY CABLE 4/0 RED 1"
- 11 1587096 BLOWER, BILGE 4" #240MQ W/CONN
- 12 196345 HALON SYS, AUTOMATIC 75CF (1301 HALON)
- 13 894170 TRANSDUCER, 20DEG THRU-HULL W/ URETHANE FACE
- 14 1690247 PUMP, BILGE 1100GPH W/IMPELLOR HOUSING VANES
(ABOVE # HULL # 3214 -> UP)
- 1480094 PUMP, BILGE 1100GPH
(ABOVE # HULL # 3001 -> 3213)
- 15 1193671 SWITCH, FLOAT RULE W/CVR
- 16 1140094 BRACKET, FUEL TANK 32 3/8" 190/210BR-99
- 17 1613090 TANK, FUEL 220BR-02 47GAL PLAS
(CONTACT TL FOR EFFECTIVE HULL #)
- 1689952 TANK, FUEL 220BR-02 47GAL PLAS REV 1
(CONTACT TL FOR EFFECTIVE HULL #)

FOAM

- 1657931 FOAM, P/C 220BR-02 CONV BILGE SET

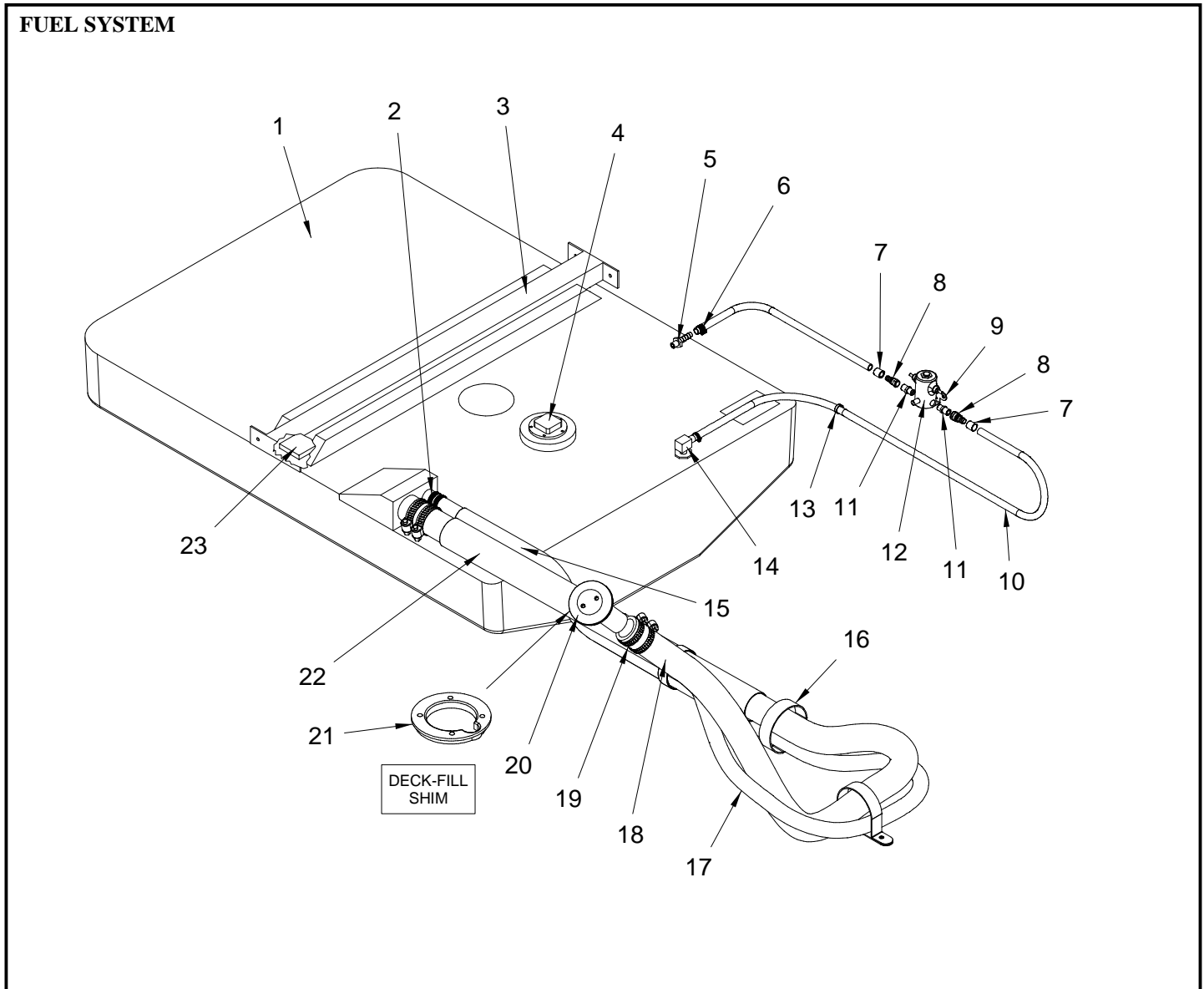
NOT SHOWN LABELS

- 852624 LABEL, STAY CLEAR OF MOVING PARTS



STEERING SYSTEM

- 1 1595529 STEERING WHEEL, SPBT-02 FLAX W/VNGR BRL CVR
- 917013 EMBLEM, S/R EMB SCRIPT WHEEL GOLD-BEZEL 1.75"
- 2 958439 STEERING, BELLOWS TILT STEERING BLK
- 3 662510 STEERING, PERFORMANCE TILT MECHANISM
- 4 1092246 STEERING, TILT HELM BACK-MNT
- 5 1091859 STEERING, BACK MNT RACK/CABLE 16.0' ASSY
- 6 1458900 CONTROL, REM THRTL/SHIFT CLSC 4000 W/CONN
- 7 1006303 CABLE, CONTROL TELEFLEX 14' 600A/MERC SERIES
- THROTTLE CABLE**
- 8 1006311 CABLE, CONTROL TELEFLEX 13' 600A/MERC SERIES
- SHIFT CABLE**
- 9 778928 LANYARD, COILED STOP SWITCH
- 10 169672 PROP, 14"X 19" VENGEANCE RH



FUEL SYSTEM

- 1 1613090 TANK, FUEL 220BR-02 47GAL PLAS
(CONTACT TL FOR EFFECTIVE HULL #)
1689952 TANK, FUEL 220BR-02 47GAL PLAS REV 1
(CONTACT TL FOR EFFECTIVE HULL #)
- 2 256677 CLAMP, HOSE #12 1/2"-1.25" SS .505
- 3 1140094 BRACKET, FUEL TANK 32 3/8" 190/210BR-99
- 4 1628759 SENDING UNIT, WEMA 9.5"
- 5 147611 ADAPTER, BRASS 1/4"MPT X 3/8"BARB
- 6 123398 CLAMP, HOSE #06M 5/16"-7/8" SS MINI
- 7 1478213 FERRULE, FUEL LINE 3/8"ISO/CE
- 8 170589 FITTING, BRASS 3/8"BARB/NUT
- 9 306936 BRACKET, FUEL SHUT-OFF VALVE (SKINNER-ELEC)
- 10 1497486 HOSE, FUEL 3/8" ISO/CE W/PLAS LINER
- 11 140483 ADAPTER, BRASS 1/4"MPT X 3/8"SAE
- 12 224329 VALVE, BRASS FUEL SHUT-OFF ELEC 12V SKINNER
- 13 123661 CLAMP, LOOM VINYL DIP 1"
- 14 1221217 ELBOW, FUEL P/U FOR TANK ASSY
1098250 TUBE, P/U FUEL-SPECIFY TANK (FOR#1076223)
1433895 TANK, FUEL HDWR 1/2" SS SCREEN
- 15 1501824 HOSE, CONDUIT/SPLIT 3/4" FLAME RETARDANT
- 16 123604 CLAMP, LOOM VINYL DIP 2.5"
- 17 123778 HOSE, FUEL 5/8" TYPE A CLASS 2
- 18 123745 HOSE, FUEL 1.5" TYPE A CLASS 2
- 19 256693 CLAMP, HOSE #24 1"-2" SS .505
- 20 1109354 DECK PLATE, GAS CHR W/VENT 45DG NCK RED CODE

- 20 1068592 KEY, DECK PLATE CAP
- 21 1098615 DECK PLATE, GAS CHR W/VENT (SHIM ONLY)
- 22 1501865 HOSE, CONDUIT/SPLIT 1.25" FLAME RETARDANT
- 23 1497452 TAPE, FOAM NEOPRENE W/3M 9828 3/8"TH X 2"W

NOT SHOWN LABELS

- 852533 LABEL, FUEL RECOMMENDATION
- 852632 LABEL, WARNING LEAKING FUEL

5.7L EFI ALPHA (260 PHP) MCM STERN DRIVE

1090885 OUTDRIVE UNIT, MERC ALPHA 1.47:1
654319 PROP, 14.5"X 17" VENGEANCE RH
1056845 S/D, MERC 260HP 5.7L EFI ALPHA W/RSR

5.7L EFI BR 3 (260 PHP) MCM STERN DRIVE

1218213 ACC PART, MERC SPACER KIT TRIM CYL
1086974 OUTDRIVE UNIT, MERC BRAVO III 2:1
708180 PROP, 14.25"X 22" SS BR3 RH
708172 PROP, 15.75"X 22" SS BR3 LH
1056613 S/D, MERC 260HP 5.7L EFI W/RSR BR III

5.0L EFI ALPHA (240 PHP) MCM STERN DRIVE

141713 ADAPTER, BRASS 3/8"MPT X 5/8"BARB
1090869 OUTDRIVE UNIT, MERC ALPHA 1.62:1
1056860 S/D, MERC 240HP 5.0L EFI ALPHA W/RSR

5.0L EFI BR3 (240 PHP) MCM STERN DRIVE

141713 ADAPTER, BRASS 3/8"MPT X 5/8"BARB
1086990 OUTDRIVE UNIT, MERC BRAVO III 2.20:1
1427103 PROP, 14.25"X 24" CUP BR3 RH
1427095 PROP, 15.5"X 24" CUP BR3 LH
1215284 S/D, MERC 240HP 5.0L EFI W/RSR BR III

MX 6.2 MPI BR 3 (320 PHP) MCM STERN DRIVE

1086990 OUTDRIVE UNIT, MERC BRAVO III 2.20:1
708248 PROP, 13.75"X 28" SS BR3
708230 PROP, 15"X 28" SS BR3 LH
1645126 S/D, MERC 320HP MX6.2 MPI W/RSR BRIII

5.0L MPI ALPHA (260 PHP) MCM STERN DRIVE

1090869 OUTDRIVE UNIT, MERC ALPHA 1.62:1
1645019 S/D, MERC 260HP 5.0L MPI ALPHA W/RSR

5.0L MPI BR 3 (260 PHP) MCM STERN DRIVE

1086990 OUTDRIVE UNIT, MERC BRAVO III 2.20:1
708222 PROP, 14"X 26" SS BR3 RH
708214 PROP, 15.25"X 26" SS BR3 LH
1645076 S/D, MERC 260HP 5.0L MPI W/RSR BRIII

BOW RIDER FILLER CUSHION

991612 ANGLE, PVC 2"X 2"X 1/4"X 10' WHT
1658038 FOAM, P/C 220BR-02 BOW FILLER CUSH
773630 MESH, WHITE 54"
180406 SLIDE, DELRIN #5 WHT 1-S LOCK
1579820 VINYL, GRANDE D PLATINUM EXP 1/4"F/B
1579838 VINYL, GRANDE D PLATINUM EXP FLAT
180182 ZIPPER, #5 DELRIN CONTINUOUS WHT

BATTERY ON / OFF SWITCH

140509 BOOT, ENG STARTER RED
1615129 CABLE, BATT BLK 68" 2/0 LUG 3/8" RING
1615202 CABLE, BATT RED 141" 2/0 3/8" RINGS
1615152 CABLE, BATT RED 58" 2/0 LUG 3/8" RING
921767 LABEL, CAUTION BATTERY SWITCH OFF/ALT DAMAGED
766089 SWITCH, BATTERY ON/OFF W/O LOCK W/O DISC

FIRE SUPPRESSION SYSTEM - AUTOMATIC

153999 CONN, RING 16/14GA X 8R W/INSUL
196345 HALON SYS, AUTOMATIC 75CF (1301 HALON)

BATTERY SWITCH-DUAL W/ 2ND TRAY SINGLE ENG.

1216514 BOOT, BATTERY CABLE 4/0 BLK 1"
1216522 BOOT, BATTERY CABLE 4/0 RED 1"
1434695 CABLE, BATT BLK 42" 2/0 LUG 3/8" RING
1615129 CABLE, BATT BLK 68" 2/0 LUG 3/8" RING
1369941 CABLE, BATT RED 132" 2/0 AWG LUG 3/8" RING
1615202 CABLE, BATT RED 141" 2/0 3/8" RINGS
1615152 CABLE, BATT RED 58" 2/0 LUG 3/8" RING
1239458 HOLDER, BATTERY GR27/31 BLK NYLON W/SS
921767 LABEL, CAUTION BATTERY SWITCH OFF/ALT DAMAGED
766071 SWITCH, BATTERY SELECTOR W/O LOCK W/O DISC

SWISS SPECS

1066372 B.O.M, ADJUSTMENT NUMBER

WINDSHIELD WIPER (STARBOARD)

865378 CONN, BUTT 16/14GA W/THK INS
497776 CONN, Q/DISC F/M 16-14 FULL INS W/INS GRIP
153932 CONN, RING 16/14GA X 10R W/INSUL
129791 WIPER ARM, 10.75"-15" BLACK
129734 WIPER BLADE, 14" FLEX BLACK

WINDSHIELD WIPER (STARBOARD) (continued)

129684 WIPER MOTOR, 85 DEG

GALVANIZED TRAILER

1677269 TRAILER, 220BR-02 GALV W/DISC BRAKES

COMPASS

1617638 COMPASS, FLUSH MT 3 7/8" BLK HOUSE/GRN LIGHT

BIMINI CANVAS PACKAGE

1627702 CANVAS, 200/220BR-02 SIDE CURT SET W/SNP PTY
1627975 CANVAS, 200/220BR-02 VISOR CURT 3PC CLR/PTY
1651785 CANVAS, 220BR-02 AFT CURT W/SNPS PTY
1651652 CANVAS, 220BR-02 BIM CPC N/SNPS PTY
788554 CANVAS, SPBOAT STRG BAG 7X50 SML GREY 95

TRANSOM TRAILER TRIM SWITCH

747261 SWITCH, TILT EXTERNAL MOUNT

ITALY / SEPARATE BOW LIGHTS

1414895 LIGHT, NAV SIDE SS HORZ 12V

TWO TONE GELCOAT GRAPHICS

1317866 GEL COAT, JET BLK
1642149 TAPE, MOLD MASK 220BR-02 PRT
1642156 TAPE, MOLD MASK 220BR-02 STB
1368638 THRU-HULL, PLAS 1 1/8" BLK

C E OPTION GROUP

140509 BOOT, ENG STARTER RED
1615129 CABLE, BATT BLK 68" 2/0 LUG 3/8" RING
1615202 CABLE, BATT RED 141" 2/0 3/8" RINGS
1615152 CABLE, BATT RED 58" 2/0 LUG 3/8" RING
1658053 FOAM, P/C 220BR-02 CONV BILGE CE OPT SET
947507 HOSE, FUEL 5/8" ISO/CE
921767 LABEL, CAUTION BATTERY SWITCH OFF/ALT DAMAGED
532820 LABEL, DISPOSAL OF GARBAGE
934539 LABEL, PREVENT DISCHARGE OF POLLUTANTS
1253616 MANUAL, OWNERS - INT'L 12-LANGUAGE
1658046 PLATE, CE OPT C:220BR/10PERSON/820KG
766089 SWITCH, BATTERY ON/OFF W/O LOCK W/O DISC
413070 TAPE, VAC PAK WHT (2"X 36YDS) PRESERVATION

C E FIRE SYSTEM - EUROPEAN DEALERS ONLY

934943 FIRE EXT SYS, FM200 75CF GAS-AUTO

1.81 TO 1 HIGH ALT.GEAR RATIO

1076918 OUTDRIVE UNIT, MERC ALPHA 1.81:1

1.62 TO 1 ALPHA HIGH ALTITUDE GEAR RATIO

1090869 OUTDRIVE UNIT, MERC ALPHA 1.62:1

2.43 TO 1 MPI BRAVO 3 HIGH ALT.GEAR RATIO

949198 OUTDRIVE (HI-ALT), MERC BR-III 2.43:1

OWNER ORIENTATION VIDEO - PAL FORMAT

1510536 VIDEO, 01 CANVAS INSTALLATION BR/CLSD BOW PAL
968339 VIDEO, 97 OWNER ORIENTATION SPBOAT PAL

PAINTED TRAILER W/ SECOND AXLE BRAKES

1469543 BRAKE KIT, TRAILER TNDM AXLE-01

GALVANIZED TRAILER W/ SECOND AXLE

1469543 BRAKE KIT, TRAILER TNDM AXLE-01
1677269 TRAILER, 220BR-02 GALV W/DISC BRAKES

PRECISION PILOT OPTION

1589332 ACC PART, PREC PILOT KIT
1662550 ACC PART, PREC PILOT KIT 220BR-02
1197433 ACCESS PLATE, PLAS T-HANDLE 6" PRL
1596931 BASE, HDPE 10"X 7"210BR PREC PILOT BATT CHRGR
1583566 BATTERY, PREC PILOT
795583 BUSS BAR, SGL POST 5/16"
1583590 CHARGER, BATT PREC PILOT
1583582 CLIP, BATT HOLD DOWN PREC PILOT
917013 EMBLEM, S/R EMB SCRIPT WHEEL GOLD-BEZEL 1.75"
1264498 FLOORING, PVC MAT SKI WELL WHT 21"X 43"
1666403 FOAM, P/C 220BR-02 CONV BILGE PREC PILOT SET
1066414 FUSE HOLDER, BLADE TYPE ACCY 10A
265983 FUSE, BLADE TYPE ATO 10A
1583616 GRATE, PREC PILOT REAR
1598952 HARNESS, PREC PILOT BLKHD MOTOR JMPR 18"-3

PRECISION PILOT OPTION (continued)

1583574 HOLDER, BATT TRAY PREC PILOT
 1583608 INLET, BATT CHARGER PREC PILOT
 1659630 LABEL, WARNING PREC PILOT DASH
 1659648 LABEL, WARNING PREC PILOT HULL
 1583558 PANEL, PREC PILOT ACCESS REAR
 1583624 STEERING, PREC PILOT KNOB
 159905 TUBING, EXH GLASS 8"

WATER SPORTS TOWER W/ INTEGRAL BIMINI TOP

1635507 BRACKET, ALUM 220BR-02 WTR SPRTS TWR
 1685214 CANVAS, 220BR-02 BIM CPC W/TWR W/SNPS PTY
 1685208 CANVAS, 220BR-02 BIM TOP BOOT W/TWR PTY
 1685209 CANVAS, 220BR-02 BIM TOP W/TWR PTY
 852525 LABEL, SKI TOW ROPE BACKLASH
 1646850 LIGHT, NAV A/R STERN 79°13DEG RG THRNUT
 1652031 TOWER, 220BR-02 ALUM WTR SPRTS

STBD BUCKET / PORT B/B - SUNPAD & AFT SEAT

1668821 B/B SEAT, SPBT-02 PLTNM/PWTR MIST/FLAX
 1347798 CHEMICAL, POLYESTER PIGMENT DISPERSION
 1158302 DOOR, STRG W/8.5"X 26.75" PRL FRAME
 1558469 GEL COAT, MAXGUARD LE PEARL
 1249770 PLATE, ALUM 3/16"X 2"X 3" HOLES TAPPED
 1294156 RESIN FILLER, CALCIUM CARBONATE 50LB BAG

BLACK CANVAS OPTION

1645902 CANVAS, 200/220BR-02 BIM TOP BLK
 1645910 CANVAS, 200/220BR-02 BIM TOP BOOT EMB BLK
 1651769 CANVAS, 220BR-02 BIM CPC W/SNPS BLK
 1651728 CANVAS, 220BR-02 TONNEAU CVR W/SNPS BLK

PREMIUM TRAILER PACKAGE - PAINTED TRLS ONLY

1677277 TRAILER, 220BR-02 TNDM PNTD W/BRKS BLK UPGR