

2003 240BR

PARTS MANUAL

240

BOW RIDER



Sea Ray® Parts Manual, 2003 240 BOW RIDER MRP # 1746464

Sea Ray Boats, 2600 Sea Ray Blvd., Knoxville, TN 37914. For information call 1-800-SRBOATS or fax 1-314-213-7878 (USA and International).

Internet address: <http://www.searay.com>

Note: Not all accessories shown in pictures or described herein are standard equipment or even available as options.

Options and features are subject to change without notice.

Confirm the availability of all accessories and equipment with an authorized Sea Ray® dealer.

2003 240 BOW RIDER

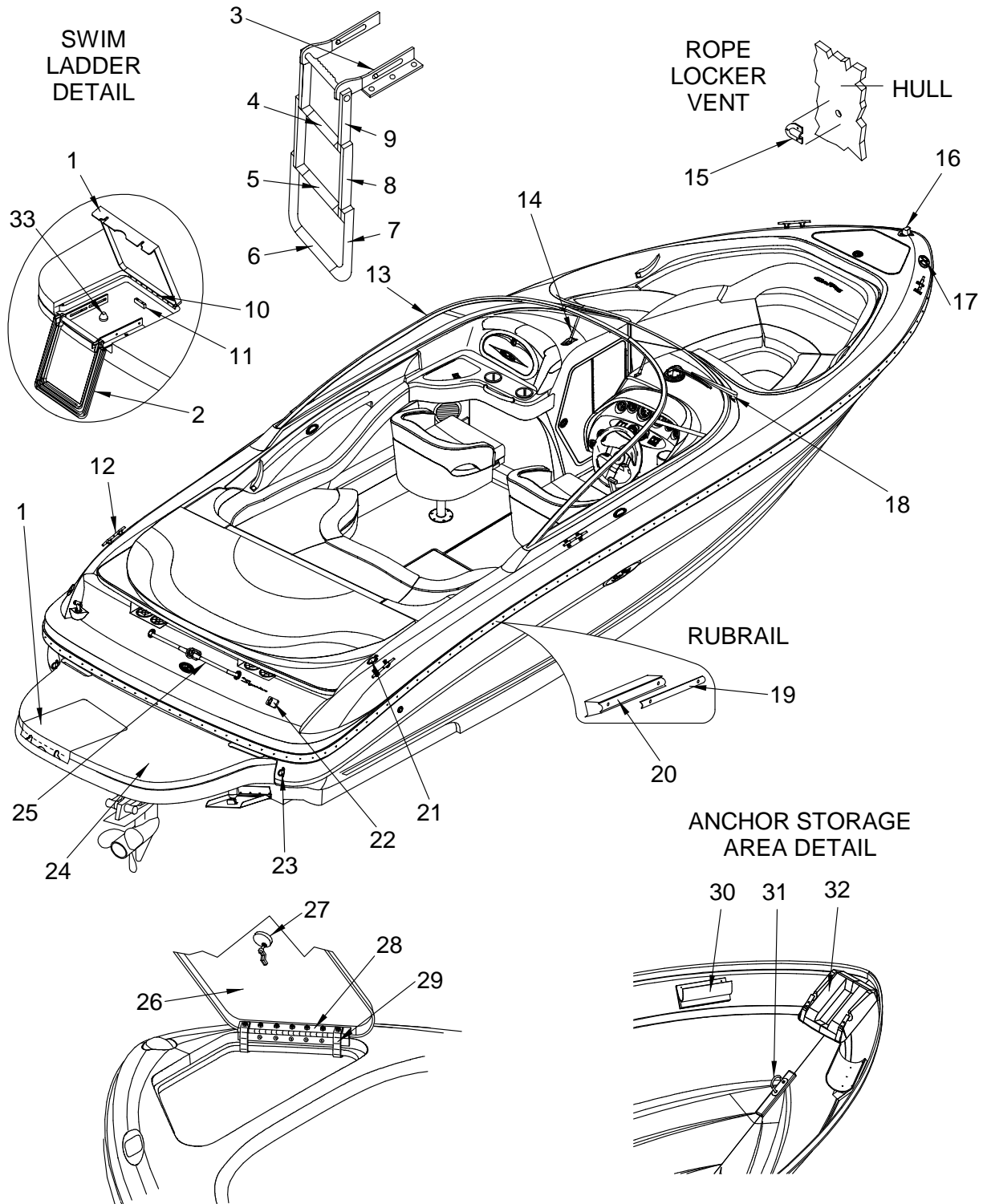
TABLE OF CONTENTS



STANDARD & OPTIONAL LAYOUTS	PAGE
EXTERIOR (HULL AND DECK)	1, 2
EXTERIOR (GRAPHICS) BLACK	3, 4
EXTERIOR (GRAPHICS) GREEN	5, 6
EXTERIOR (GRAPHICS) BLUE	7, 8
COCKPIT	9, 10
COCKPIT (CONTINUED)	11, 12
MULTI-INFO PACKET	13, 14
COCKPIT (AFT VIEW) - CIRCULAR SEATING OPTIONAL	15, 16
COCKPIT (HELM)	17, 18
COCKPIT (UPHOLSTERY) TWO BUCKET WITH CIRCULAR AFT SEATING	19, 20
COCKPIT (UPHOLSTERY) AFT WALK-THRU SUNPAD	21, 22
CANVAS (BIMINI TOP)	23, 24
COCKPIT (SNAP-IN CARPET LINER)	25, 26
BILGE	27, 28
STEERING SYSTEM	29, 30
FUEL SYSTEM	31, 32
WATER SYSTEM (WITH PRESSURE WATER SYSTEM UPGRADE OPTION)	33, 34

OPTIONS - PARTS LIST	PAGE
496 MAG BR 3 (375 PHP) W/ CORSA EXHAUST.	35
350 MAG MPI BR 3 (300 PHP) MCM STERN DR.	35
MX 6.2 MPI BR 3 (320 PHP) MCM STERN DRIVE	35
5.0L MPI BR 3 (260 PHP) MCM STERN DRIVE	35
496 MAG BR 1 (375 PHP) W/ CORSA EXHAUST.	35
EXECUTIVE SERIES PACKAGE	35
STBD BUCKET / PORT B/B / SUN PAD/ JUMP SEAT	35
2ND DIGITAL STEREO REMOTE CONTROL -TRANSOM	35
BIMINI TOP & BOOT W/ VERTICAL STORAGE	35
HYDRAULIC TRIM TABS	35
WATER SPORTS TOWER FOR EXECUTIVE SERIES PKG	35
PORTABLE HEAD (NOT AVAILABLE IN CANADA)	35
FILLER CUSHION - BOW RIDER.	35
TONNEAU COVER - ONLY	35
BATTERY ON / OFF SWITCH	35
FIRE SUPPRESSION SYSTEM - AUTOMATIC.	35
BATTERY SWITCH-DUAL W/ 2ND TRAY SINGLE ENG.	35
SWISS SPECS.	36
COCKPIT COVER W/ TONNEAU COVER.	36
BIMINI CANVAS PACKAGE	36
TRANSOM TRAILER TRIM SWITCH.	36
ITALY / SEPARATE BOW LIGHTS.	36
TWO TONE GELCOAT GRAPHICS.	36
C E OPTION GROUP	36
C E FIRE SYSTEM - EUROPEAN DEALERS ONLY	36
1.65 TO 1 BRAVO 1 HIGH ALTITUDE GEAR RATIO	36
2.43 TO 1 BRAVO 3 HIGH ALTITUDE GEAR RATIO	36
OWNER ORIENTATION VIDEO - PAL FORMAT	36
CORSA THRU-HULL EXHAUST SYSTEM	36
2 BUCKET SEATS / SUNPAD / CIRCULAR AFT SEAT	36
CANADIAN CONFORMITY STICKER	36
PREMIER STEREO UPGRADE-AMPLIFIER/SUBWOOFER	36
GALVANIZED TRAILER W/ SECOND AXLE BRAKES.	36
WATER SPORTS TOWER W/ INTEGRAL BIMINI TOP	36
PREMIUM TRAILER W/ SECOND AXLE BRAKES.	36

EXTERIOR (HULL AND DECK)



EXTERIOR (HULL AND DECK)

- 1 1747457 240BR 03,HATCH,SWIM LADDER FBRGLS
1573112 LABEL, LADDER MAINTENANCE
- 2 1473750 LADDER, SWIM 3-STEP SS CONCEALED REV2 GUDGNS
3 1685191 LADDER, SWIM SLIDING GUDGEON ASSY
1107358 PLATE, BACKING SWIM LADDER SS W/WELDED NUTS
983486 BUMPER, BLACK ROUND W/#6 TRUSS HEAD
- 4 973446 LADDER, TREAD 10 3/8"
5 909317 LADDER, TREAD 11.75"
6 909325 LADDER, TREAD 12 7/8"
7 1225788 LADDER, SWIM BTM "U"
8 1225762 LADDER, SWIM MID "U"
9 1225770 LADDER, SWIM TOP "U"
- 10 844753 HINGE, SS CONT 2"X 15" W/1/8" PIN
11 1446889 CLEAT, HDPE 3/4"X 1.5"X 4" W/3/4"RAD PRL
12 1742694 CLEAT, 8" 4-BOLT SS
(ABOVE # FOR HULL # 3001-3172)
1473040 PLATE, BACKING UNIVERSAL 3/16"
(ABOVE # FOR HULL # 3001-3172)
291658 CLEAT, 8" 4-BOLT SS
(ABOVE # FOR HULL # 3173-UP)
793471 PLATE, BACKING UNIVERSAL 3/16"
(ABOVE # FOR HULL # 3173-UP)
- 13 1458694 W/S, 230BR-01 CMPLT W/CONT TOP TRIM
1529908 W/S, 230BR-01 STBD W/CONT TOP TRIM
1529916 W/S, 230BR-01 CTR W/CONT TOP TRIM
1529882 W/S, 230BR-01 PORT W/CONT TOP TRIM
1529924 W/S, 230BR-01 HDWR KIT
1529932 W/S, 230BR-01 SCREW CVR
1688392 W/S, 230ES-02 SS CMPLT W/CONT TOP TRIM W/SNAP
(ABOVE # FOR EXECUTIVE SERIES)
1750120 240BR 03,STRAP,W/S W/SNAP
- 14 1413434 SUPPOT, W/S 230BR-01 PORT
1413442 SUPPOT, W/S 230BR-01 STBD
1687565 SUPPOT, W/S 230ES-02 PORT
(ABOVE # FOR EXECUTIVE SERIES)
1687566 SUPPOT, W/S 230ES-02 STBD
(ABOVE # FOR EXECUTIVE SERIES)
- 15 126870 VENT, CLAMSHELL ROPE LCKR 1 5/8"X 1.5"
16 1414887 LIGHT, NAV COMBO BOW SS W/CONN REV1
17 1413475 HORN, DUAL BLK W/SPADE CONNECTORS SERIES 84
1401736 HORN, GRILL DUAL SS OVERLAY SERIES 84
- 18 129791 WIPER ARM, 10.75"-15" BLACK
129759 WIPER BLADE, 16" FLEX BLACK
129684 WIPER MOTOR, 85 DEG
- 19 1080100 INSERT, RUB RAIL SS 3/4"X 12' (.062/304SS)
1095959 INSERT, RUB RAIL SS 3/4"X 10' (.062/304SS)
- 20 1641778 RUBRAIL, PVC PEARL 16"SS INSERT 1.825"W
1641794 RUBRAIL, PVC PEARL 19"SS INSERT 1.825"W
- 21 1537364 LIGHT, NAV BASE ONLY STERN W/CON TEARDROP RV1
934083 LIGHT, NAV A/R STERN 75"13DEG RG THRNUT
1205665 BULB, STERN NAV LIGHT REPL FOR#929042/#934083
- 22 747261 SWITCH, TILT EXTERNAL MOUNT
(OPTIONAL TRANSOM TRAILER SWITCH)
- 23 126599 EYE, STERN 1/2"X 3 7/16" W/BACKING PLATE
1473040 PLATE, BACKING UNIVERSAL 3/16"
- 24 1747478 240BR 03,SWMPLTFM,FBRGLS
(ABOVE # FOR REPLACEMENT ONLY)
1156348 TRIM, EDGE PEARL MOTOR BOX LARGE
- 25 883421 RAIL, STERN 190/210BR/CB W/SKI TOW POLISHED
1473040 PLATE, BACKING UNIVERSAL 3/16"
852525 LABEL, SKI TOW ROPE BACKLASH
- 26 1747451 240BR 03,HATCH,ANCHOR STRG FBRGLS
27 1365550 LATCH, FLUSH T-HNDL W/O LOCK BLK
28 997221 HINGE, SS CONT 1.75"X 12" POLISHED
- 29 1750121 240BR 03,STRAP,ANCHOR LCKR HATCH
30 723387 HOLDER, FENDER SGL RUNABOUTS
- 31 126599 EYE, STERN 1/2"X 3 7/16" W/BACKING PLATE
32 1136001 BOX, ABS 180DC/210BR-99 ANCHOR STRG
33 1118314 CATCH, RBR SUNPAD HOLD-DOWN

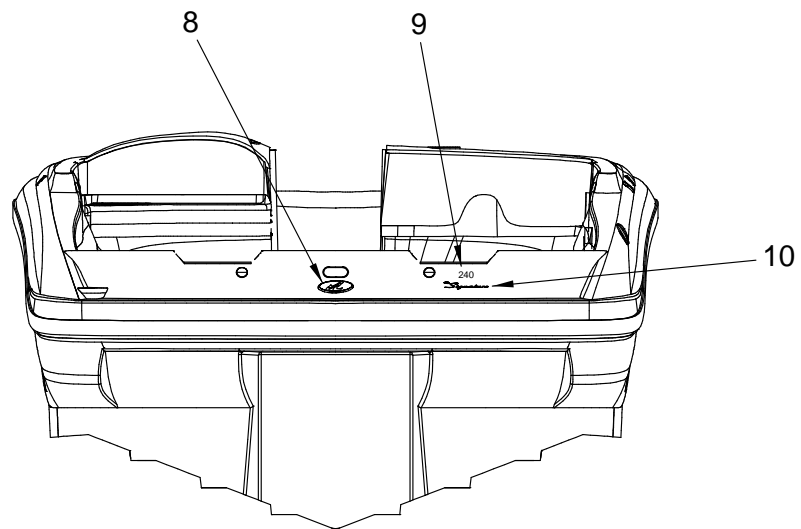
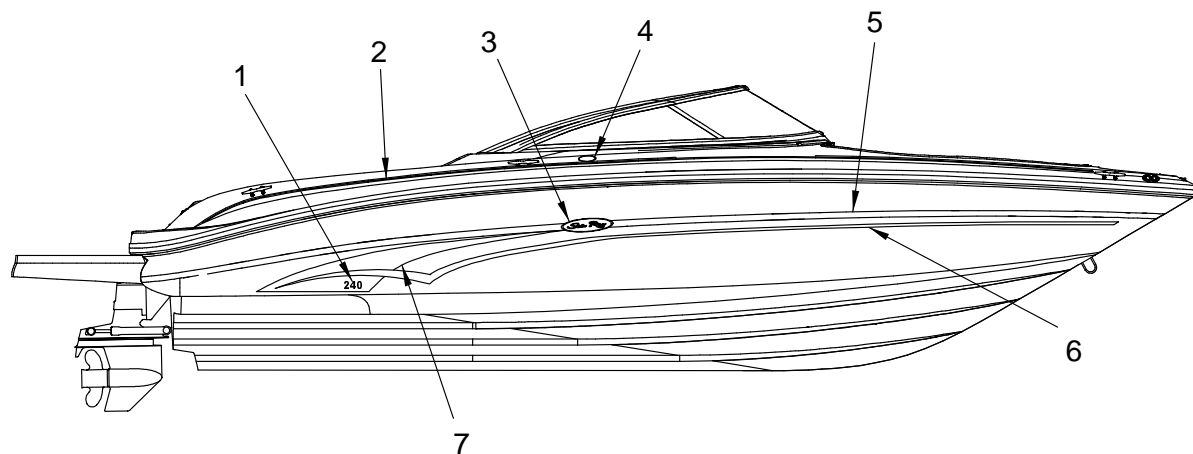
DECALS

- 1750454 DECAL, SEA RAY OWNERS CLUB (NBOA) RV
1750455 DECAL, STRUCTURAL WARRANTY SPRTBT

LABELS

- 1745519 LABEL, DANGER SHUT OFF ENG WHEN NEAR SWIMMERS
129122 LABEL, NMMA CERTIFIED

EXTERIOR (GRAPHICS) BLACK



TRANSOM
GRAPHICS

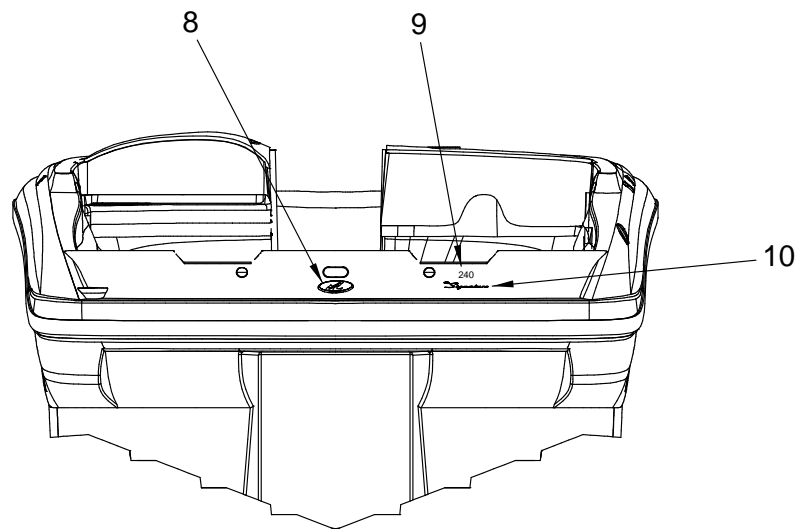
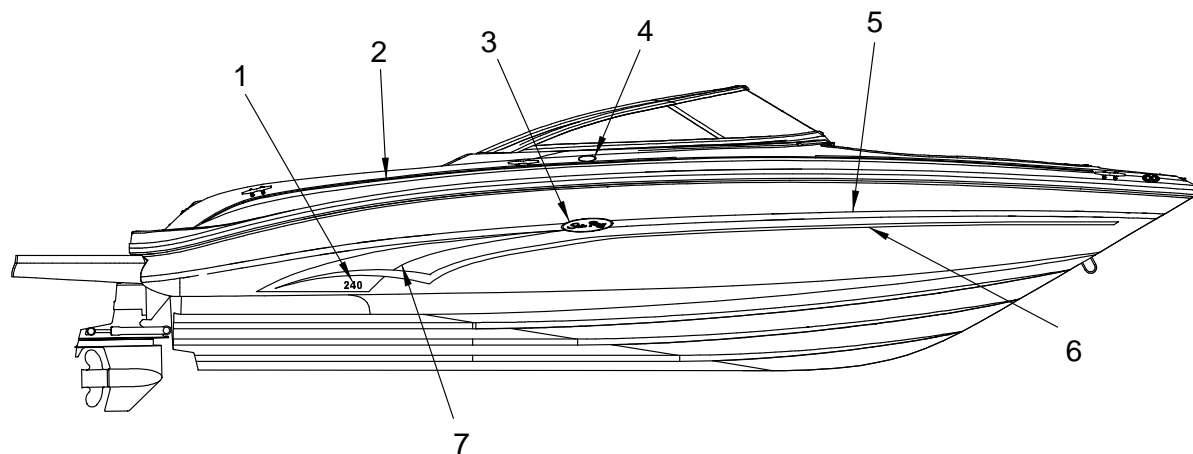
EXTERIOR (GRAPHICS) BLACK

- 1 1480383 EMBLEM, MODEL DESG 240 PRO URETHANE BLK W/CHR
- 2 1616960 TAPE, M/S 1/2"W/1/8"VOID BLK/UMLTANT
- 3 1443183 EMBLEM, "SEA RAY" SCRIPT HULL LOGO CHR 13"
- 1210558 TAPE, SOLID 1/4" PEARL GEL
ABOVE # FOR TWO-TONE OPTION ONLY
- 4 596502 EMBLEM, OVAL 240 CHR
- 5 1597491 TAPE, SOLID 3/4" UM LT ANTELOPE
- 6 426841 TAPE, SOLID 1" BLACK CPM 90
- 7 1632371 TAPE, APP 230BR-02 BLK/UMLTANT STB HULL
- 1632405 TAPE, APP 230BR-02 BLK/UMLTANT PRT HULL
- 8 1443191 EMBLEM, S/R WAVE 5" OVAL CHR TRNSM
- 9 1738251 EMBLEM, MODEL DESG 240 TRNSM URTHN BLK W/CHR
- 10 1480185 EMBLEM, SIGNATURE W/S/R URETHANE BLK W/CHR

GELCOATS

- 1587609 GEL COAT, MAXGUARD MP FLAX
- 1690845 GEL COAT, JET BLK
ABOVE # IS FOR TWO TONE OPTION
- 1690265 GEL COAT, RED ARMORCOTE
ABOVE # IS FOR TWO TONE OPTION
- 1690266 GEL COAT, YELLOW ARMORCOTE
ABOVE # IS FOR TWO TONE OPTION

EXTERIOR (GRAPHICS) GREEN



TRANSOM
GRAPHICS

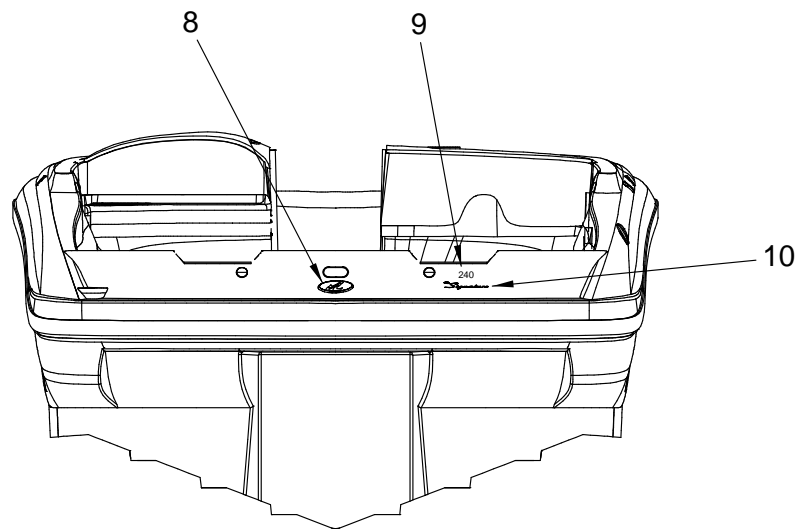
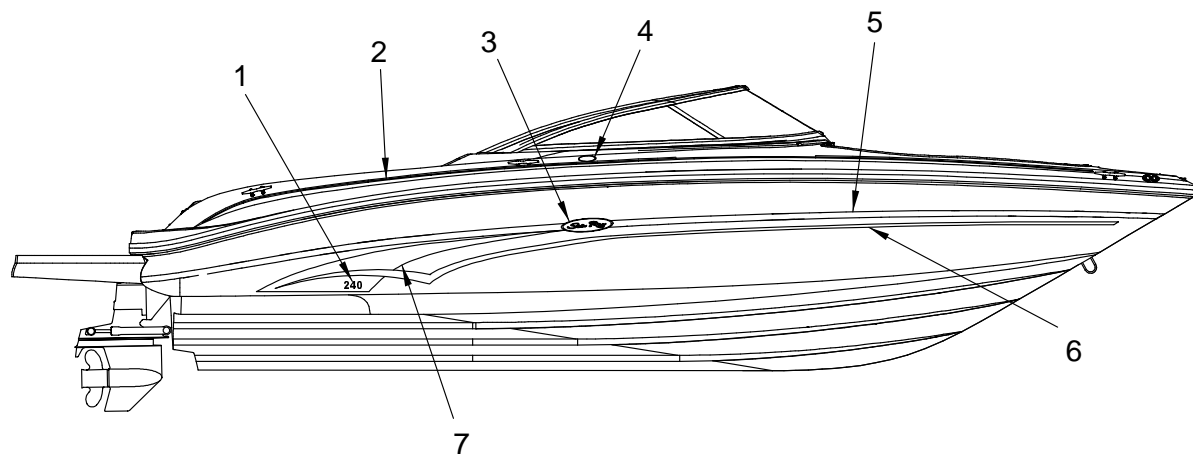
EXTERIOR (GRAPHICS) GREEN

- 1 1480383 EMBLEM, MODEL DESG 240 PRO URETHANE BLK W/CHR
- 2 1631688 TAPE, M/S 1/2"W/1/8"VOID HNTRGR/UMLTANT
- 3 1443183 EMBLEM, "SEA RAY" SCRIPT HULL LOGO CHR 13"
- 1210558 TAPE, SOLID 1/4" PEARL GEL
- ABOVE # FOR TWO-TONE OPTION ONLY**
- 4 596502 EMBLEM, OVAL 240 CHR
- 5 1597491 TAPE, SOLID 3/4" UM LT ANTELOPE
- 6 1630870 TAPE, SOLID 1" HNTR
- 7 1632363 TAPE, APP 230BR-02 HNTRGR/UMLTANT STB HULL
- 1632397 TAPE, APP 230BR-02 HNTRGR/UMLTANT PRT HULL
- 8 1443191 EMBLEM, S/R WAVE 5" OVAL CHR TRNSM
- 9 1738251 EMBLEM, MODEL DESG 240 TRNSM URTHN BLK W/CHR
- 10 1480185 EMBLEM, SIGNATURE W/S/R URETHANE BLK W/CHR

GELCOATS

- 1558469 GEL COAT, MAXGUARD LE PEARL
- 1587609 GEL COAT, MAXGUARD MP FLAX
- 1310424 GEL COAT, HNTR GRN

EXTERIOR (GRAPHICS) BLUE



TRANSOM
GRAPHICS

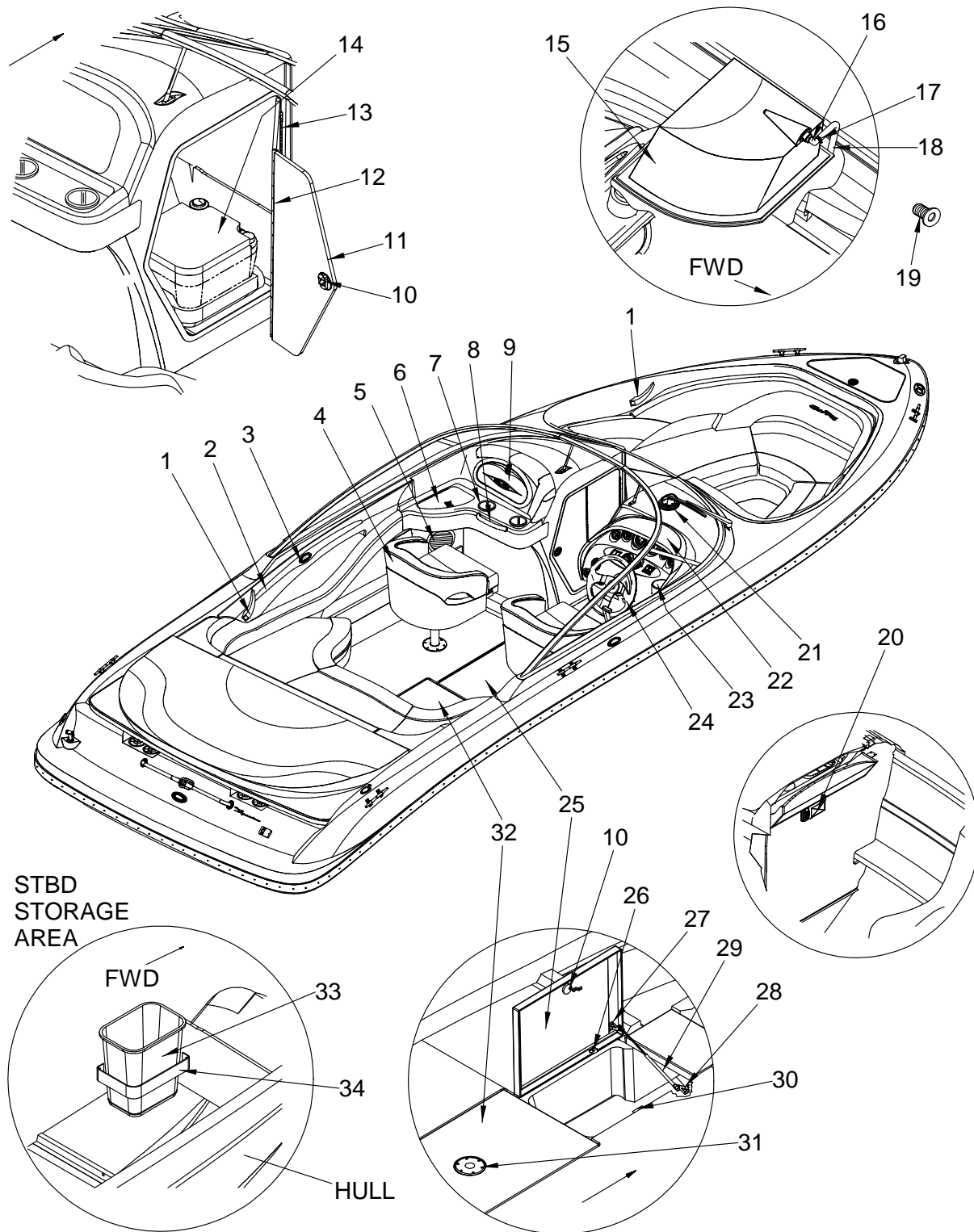
EXTERIOR (GRAPHICS) BLUE

- 1 1480383 EMBLEM, MODEL DESG 240 PRO URETHANE BLK W/CHR
- 2 1631670 TAPE, M/S 1/2"W/1/8"VOID GLXYBL/UMLTANT
- 3 1443183 EMBLEM, "SEA RAY" SCRIPT HULL LOGO CHR 13"
- 1210558 TAPE, SOLID 1/4" PEARL GEL
- ABOVE # FOR TWO-TONE OPTION ONLY**
- 4 596502 EMBLEM, OVAL 240 CHR
- 5 1597491 TAPE, SOLID 3/4" UM LT ANTELOPE
- 6 1630862 TAPE, SOLID 1" GALAXY BLUE
- 7 1632355 TAPE, APP 230BR-02 GLXYBL/UMLTANT STB HULL
- 1632389 TAPE, APP 230BR-02 GLXYBL/UMLTANT PRT HULL
- 8 1443191 EMBLEM, S/R WAVE 5" OVAL CHR TRNSM
- 9 1738251 EMBLEM, MODEL DESG 240 TRNSM URTHN BLK W/CHR
- 10 1480185 EMBLEM, SIGNATURE W/S/R URETHANE BLK W/CHR

GELCOATS

- 1558469 GEL COAT, MAXGUARD LE PEARL
- 1587609 GEL COAT, MAXGUARD MP FLAX
- 1310416 GEL COAT, GALAXY BLUE

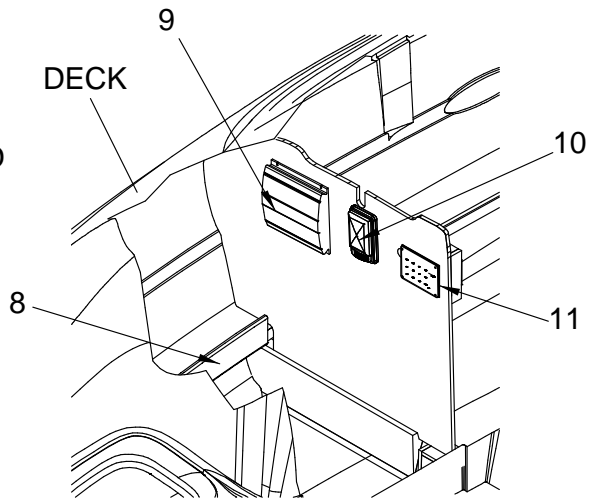
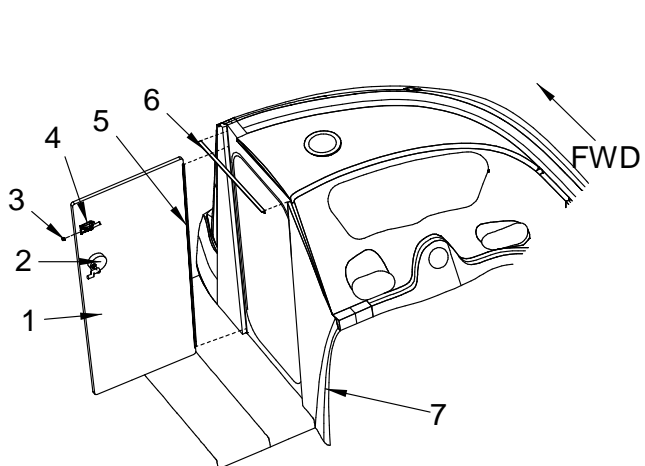
COCKPIT



COCKPIT

1	1521160	HANDLE, GRAB PRL CUSTOM SR W/1/4" SS STUDS
2	1588052	INSERT, BURL 230BR-02 CKPT P&S FWD SID/PNL
3	596502	EMBLEM, OVAL 240 CHR
4	1747477	240BR 03,SEAT,BKT W/THRISE CMPLT
	1141183	SLIDE ASSY, SEAT MILLENNIUM 10.5" MNT HOLES
	1154053	PEDESTAL, ALUM 13.25" RIBBED W/DELCUP (PORT)
	1154095	PEDESTAL, ALUM ADJ 11.25"-14.25" RIBBED/DELCUP (STARBOARD)
	1690896	PLATE, ALUM 1/4"X 2"X 9.75" W/2" TAPPED HOLES
	1219955	SEAT SLIDE, INTERNAL DELRIN CUP FOR #1141183
	1219963	SEAT SLIDE, ROLL PIN PART OF #1141183
	1219971	SEAT SLIDE, LEVER ACTUATED LOCK FOR #1141183
	1219989	SEAT SLIDE, HANDLE SECONDARY TWIST CNTRL DRAG
5	1690555	SPEAKER, COAXIAL 6.5" W/WHT CVR
6	1588201	LID, HDPE 230BR-02 COOLER W/HINGE FLAX
	147355	PLUG, DRAIN PLUG STOP RBR
	174557	LIFT RING, FLUSH CHR/ZINC 1.75" X 1 3/8"
	124719	HOSE, SANI/CHEMICAL TDX 5/8"
7	204271	DRINKHOLDR, PLAS 4"X 3" MUG SZ BLK (EFFECTIVE HULL # 3001-3180)
	1750873	HOLDER, DRINK SS 2-RING 3" (KING) (EFFECTIVE HULL # 3181-UP)
8	1211523	RAIL, GRAB 9" ELIPTICAL W/STUDS
9	1588284	GLOVEBOX, ASSY 230BR-02 FLAX
	1687655	LABEL, INFO REPL PROD/BROCH/DLRLOC/ETC.
10	1365550	LATCH, FLUSH T-HNDL W/O LOCK BLK
11	1429836	DOOR, HDPE 230BR-01 PT STRG BI-FOLD W/FRM PRL
12	1462373	HINGE, 230BR-01 PORT STRG BI-FOLD 30"
13	1462365	HINGE, 230BR-01 PORT STRG BI-FOLD 24"
	1462340	CLIP, 230BR-01 STORAGE DOOR (BLACK WING NUT)
14	130716	HEAD, PORTABLE SANI POTTI PARCHMENT 2.8GAL
	1437268	DRAIN, HEADPAN 2PC SLIP-JOINT TUBE W/ANG ENDS
15	1429851	COOLER, 230BR-01 PORT DASH
16	411132	ELBOW, PVC 1/2" MPT X 1/2" BARB X 90DEG
17	123448	CLAMP, HOSE #08M 1/2"-1" SS MINI
18	124370	HOSE, PVC CLEAR 5/8"
19	1098425	THRU-HULL, PLAS 5/8" PEARL
20	312975	LIGHT, SGL DOME FLUSH MT WHT W/SWITCH
	604801	BULB, DOME LIGHT 12V
21	1617638	COMPASS, FLUSH MT 3 7/8" BLK HOUSE/GRN LIGHT
22	1719425	DASH ASSY, BLANK:200/220BR-03 FLAX (SC)
23	204271	DRINKHOLDR, PLAS 4"X 3" MUG SZ BLK
24	1621317	STEERING WHEEL, POLISHED 3-SPOKE MAHOGANY 02
25	1747452	240BR 03,HATCH,FLOOR STRG FBRGLS
	1413731	FLOORING, PVC MAT 230BR-01 SKI STRG WHT
26	1333186	HINGE, SS CONT 2"X 30" 240SD-00 SKI STRG
27	634592	BRACKET, SS GAS CYL FLAT W/BALL STUD
28	634550	BRACKET, SS GAS CYL 90DEG L-BRKT W/BALL LONG
29	826305	CYLINDER, GAS 40PSI 20"EXT X 12"COMP
30	991612	ANGLE, PVC 2"X 2"X 1/4"X 10' WHT
31	876961	BASE, LEG/POST FLUSH MT ALUM
32	1747453	240BR 03,HATCH,FUEL TANK FBRGLS
33	431098	BASKET, TRASH 11 3/8"X 8.25"X 12 1/8" BEIGE
34	958355	BRACKET, 230BR TRASH CAN RETAINER

COCKPIT (CONTINUED)



STBD STORAGE AREA

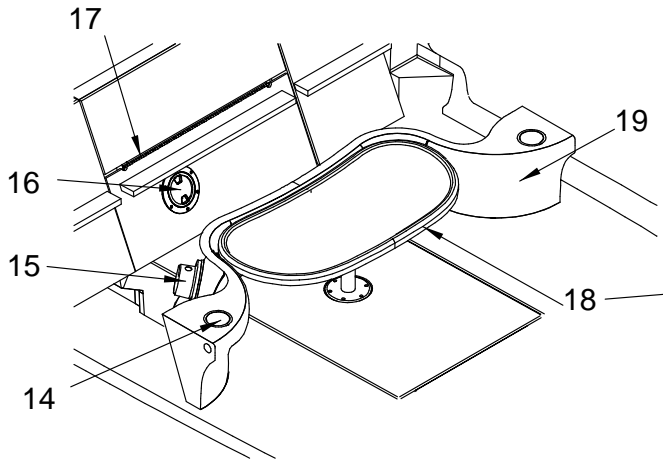
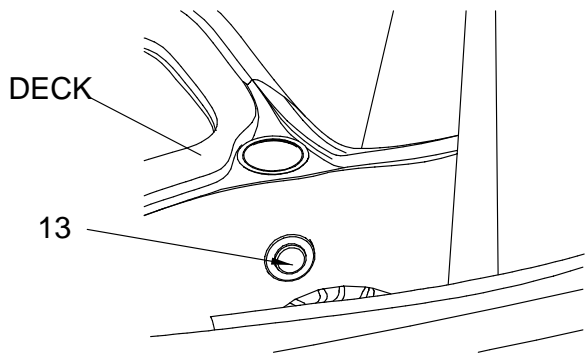
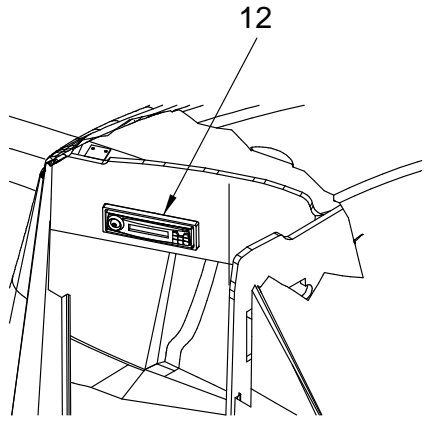
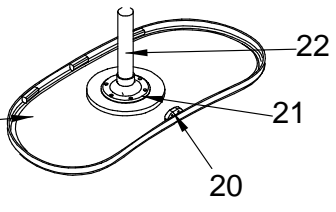


TABLE INVERTED TO SHOW DETAIL



COCKPIT (CONTINUED)

1	1688446	DOOR, HDPE 240BR-03 BOW BLKOFF PRL
2	1365550	LATCH, FLUSH T-HNDL W/O LOCK BLK
3	190579	BUSHING, NYLON 0.76"OD X 3/8"SHAFT
4	159103	BOLT, BARREL CHR 4 7/16"BOLT 5.25"LOA
5	1462076	HINGE, 230BR-01 BOW BLOCKOFF DOOR
6	1165257	TRIM, PLAS ANGLE 15/16"X 15/16" TAPERED PRL
7	1156355	TRIM, EDGE PEARL MOTOR BOX SMALL
8	1747461	240BR 03,MUFF,STB STRG
	1747459	240BR 03,MUFF SKN,STB STRG
9	1598853	STEREO, AMP CLARION APX400 4M
10	312975	LIGHT, SGL DOME FLUSH MT WHT W/SWITCH
	604801	BULB, DOME LIGHT 12V
11	1718631	MODULE, ELEC INTERFACE SPBOAT RV3 (PEANUTEIM)
12	1635127	STEREO, AM/FM CD PLAYER DIGITAL REMOTE READY
	875484	ANTENNA LEAD, STEREO SOFT WIRE 30"
13	1227412	LIGHT, NAV STERN FLUSH MT RND CHR/BRS N/STUDS
	901199	BULB, STERN NAV LIGHT REPL #137406-1227412
14	1156009	DRINKHOLDR, PLAS 4"X 3" MUG SZ PRL W/NPL
15	1717385	COVER, SPEAKER EXT BACKING PANASONIC
16	1155993	ACCESS PLATE, POLYPROP W/O-RING 4" PEARL
17	1440460	HINGE, AL CONT FORM/DBL 1.25"X 31" BRT
18	1747479	240BR 03,TBL,CKPT FBRGLS
	1413756	CLEAT, HDPE 230BR-01 CKPT TABLE 3/4" PRL
19	1746939	240BR 03,BASE,SEAT FBRGLS
	1156389	TRIM, EDGE CLWHT FLEX U-TRIM
20	1157577	CLEAT, HDPE 240SD-99 AFT CKPT TABLE FILLR PRL
21	876979	BASE, LEG/POST SURF MT ALUM
22	929844	POST, TABLE LEG 26.875" ANOD FLUTED
	872457	POST, TABLE LEG 12 7/8" ANOD TAPERED RIBBED

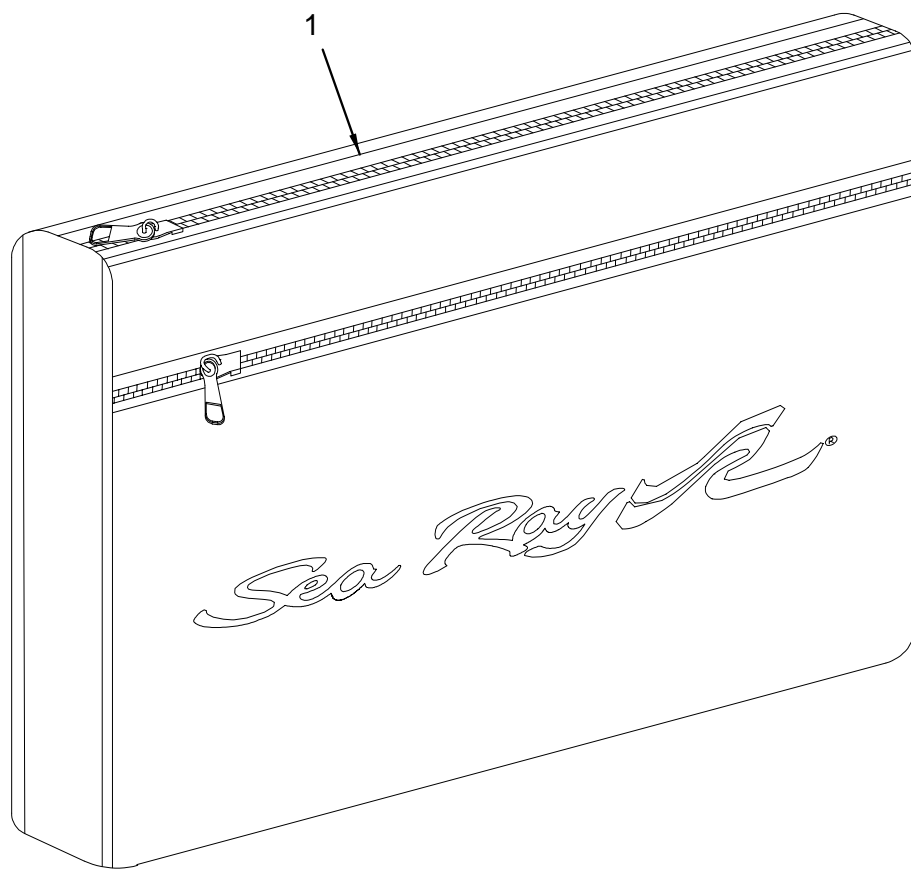
LABELS

1744806	PLATE, CE OPT C:240BR/10PERSON/820KG
551689	LABEL, WARNING PYHY FIRE EXT PRT (LEXAN)
722041	LABEL, DANGER/WARNING COMBO CNTRL STA
1733294	PLATE, NMMA 03-240BR
1743499	LABEL, FIRE PRT ACCESS-KEEP CLEAR
532820	LABEL, DISPOSAL OF GARBAGE
187245	LABEL, BOATMAN'S CHECK LIST

NOT SHOWN

136853	NOSING, ALUM 5/8"X 12' T-1 ROUNDED BRITE BUFF
1500552	CLIP, TABLE LEG 60MM TUBE BLK

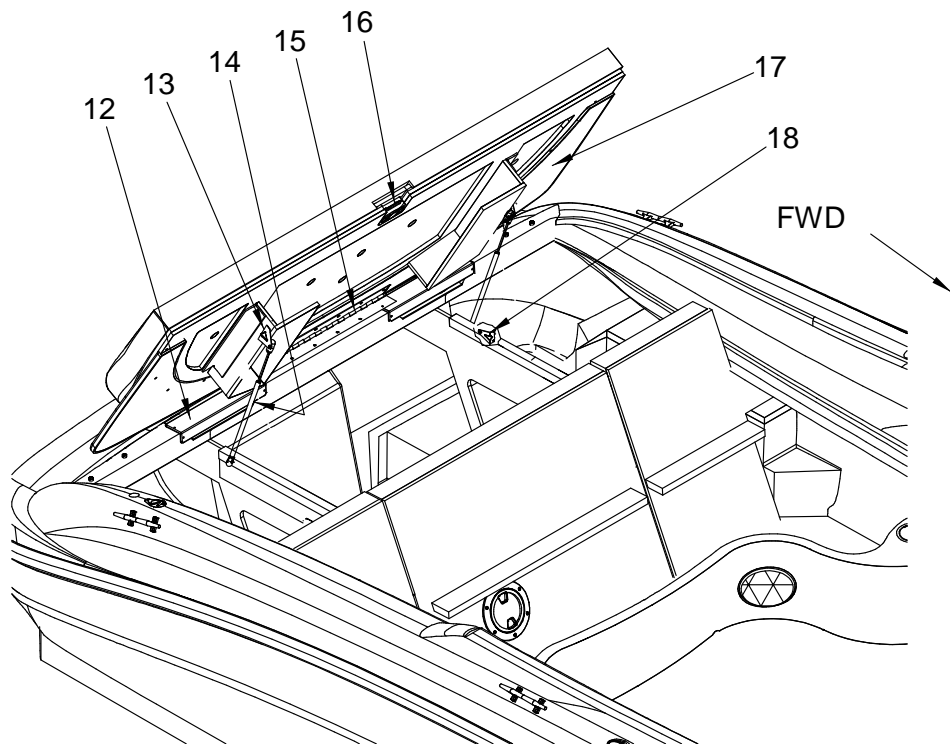
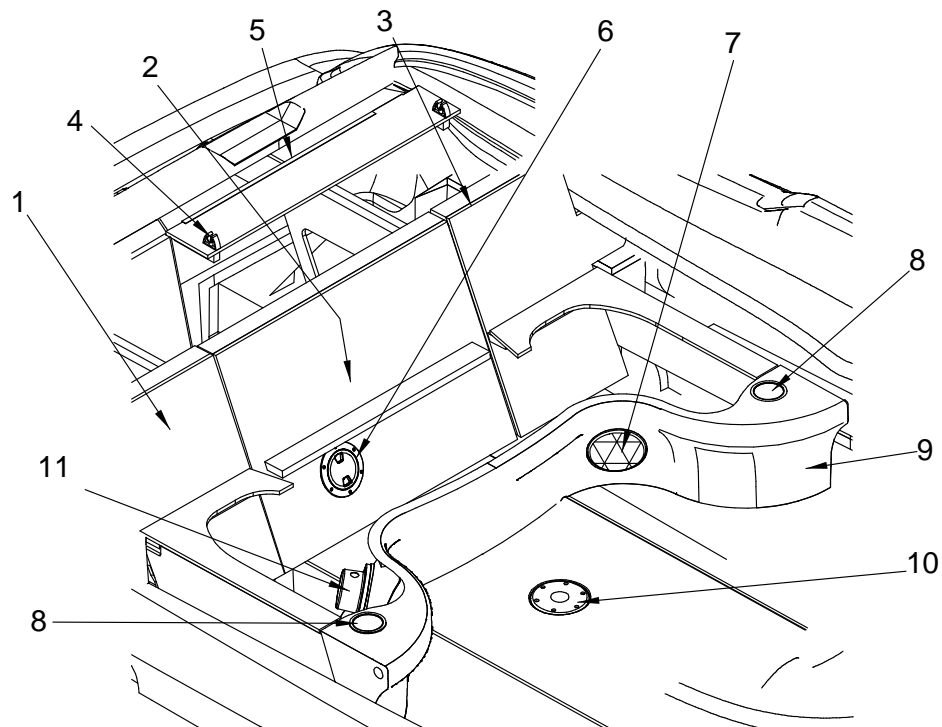
MULTI-INFO PACKET



MULTI-INFO PACKET

- 1 1738438 PACKET, MULTI-INFO 240BR
- 1733811 MANUAL, OWNERS - 230BR/240BR-03
(ABOVE # 2-PART MANUAL INCLUDES SUPPLEMENT)
- 1093830 CARD, CANVAS INSTRUCTION - SPBOAT
- 929828 CARD, BOATING GUIDE
- 704502 CARD, EXPRESS LIMITED TRANSFERABLE WARRANTY
- 388736 CHECK LIST, IN SERVICE - SP BOATS
- 1491828 MANUAL, "KNOW MORE ABOUT IT"
- 798595 HARNESS, ACCY HATCH LIFT PIGTAIL

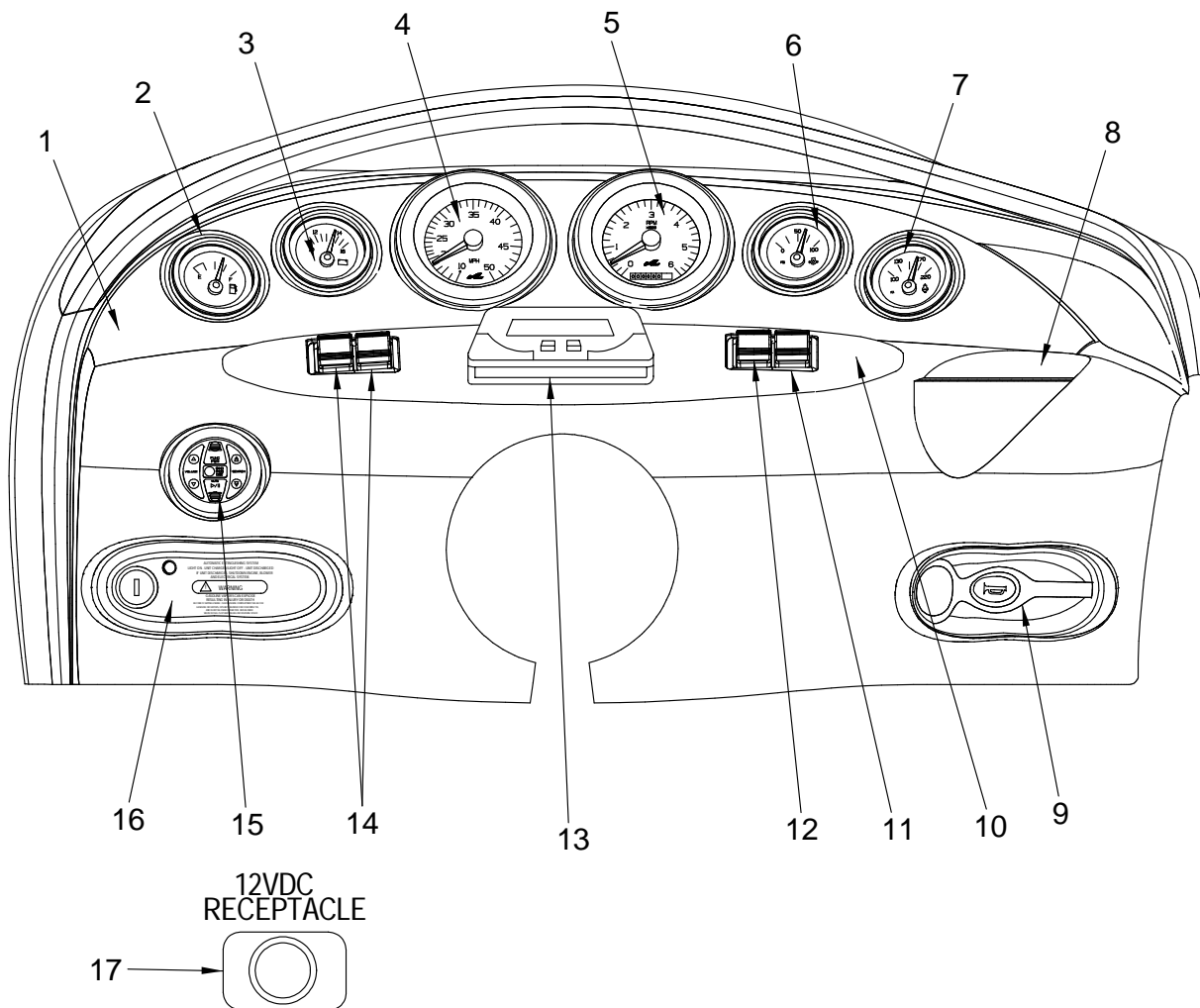
COCKPIT (AFT VIEW) - CIRCULAR SEATING OPTIONAL



**COCKPIT (AFT VIEW) - CIRCULAR SEATING
OPTIONAL**

1	1748365	240BR 03,BLKHD,STB CIRC SEATING
2	1748364	240BR 03,BLKHD,CTR AFT CIRC SEATING
3	1748363	240BR 03,BLKHD,PRT AFT CIRC SEATING
4	590646	CLIP, POLE STRG BLK - MAST LIGHT
5	132118	CHANNEL, ALUM-U 1/8"X 1.25"X 1.25"X 16'
6	1155993	ACCESS PLATE, POLYPROP W/O-RING 4" PEARL
7	1690555	SPEAKER, COAXIAL 6.5" W/WHT CVR
	1690558	GRILL, SPEAKER 6.5" ACOM WHT
8	1156009	DRINKHOLDR, PLAS 4"X 3" MUG SZ PRL W/NPL
9	1746939	240BR 03,BASE,SEAT FBRGLS
10	876961	BASE, LEG/POST FLUSH MT ALUM
11	1717385	COVER, SPEAKER EXT BACKING PANASONIC
12	1431865	DAM, BILGE VENT 1"X 2.5"X 16" 01
13	634550	BRACKET, SS GAS CYL 90DEG L-BRKT W/BALL LONG
14	830794	CYLINDER, GAS 100PSI 20"EXT X 12"COMP
15	1430487	HINGE, SS CONT 4"X 25.75"
16	1219948	LATCH, HATCH/SUNPAD BLK PLAS (ASAHI DENSO)
17	1747454	240BR 03,HATCH,SNPD FBRGLS
18	634592	BRACKET, SS GAS CYL FLAT W/BALL STUD

COCKPIT (HELM)



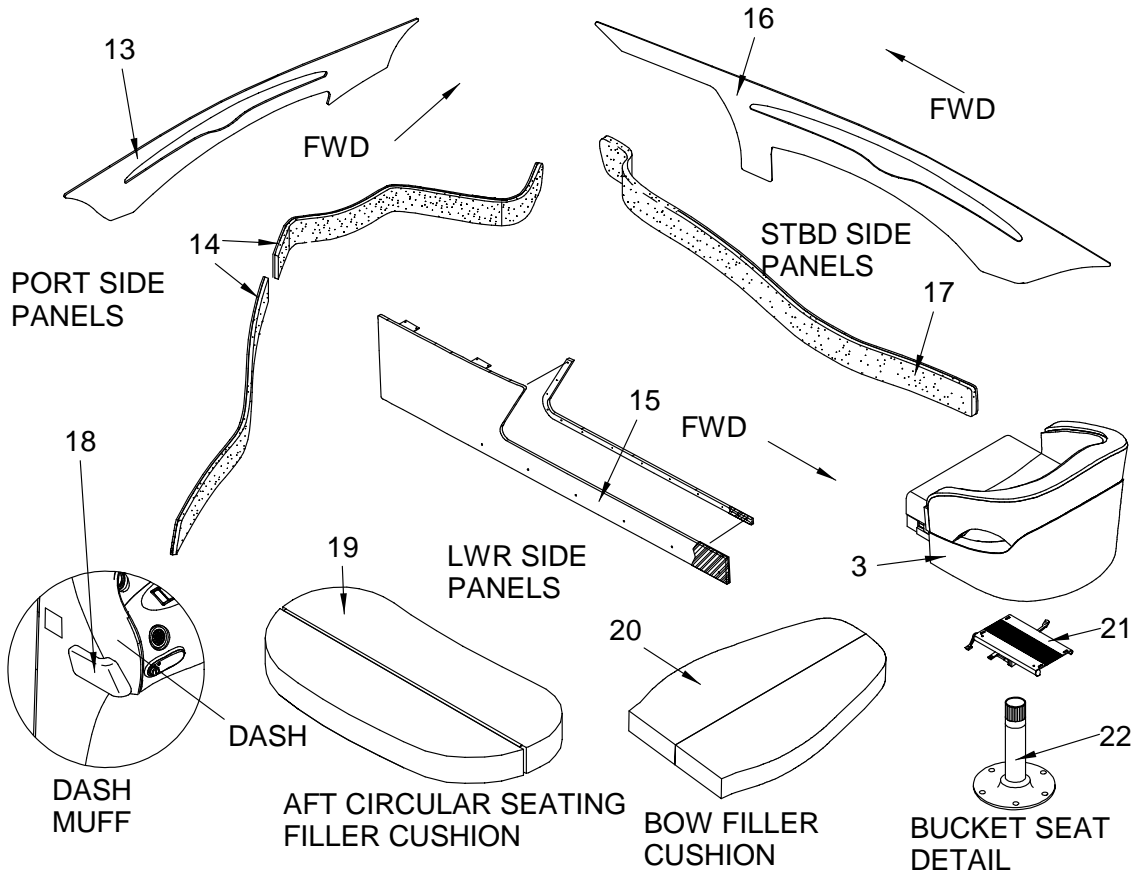
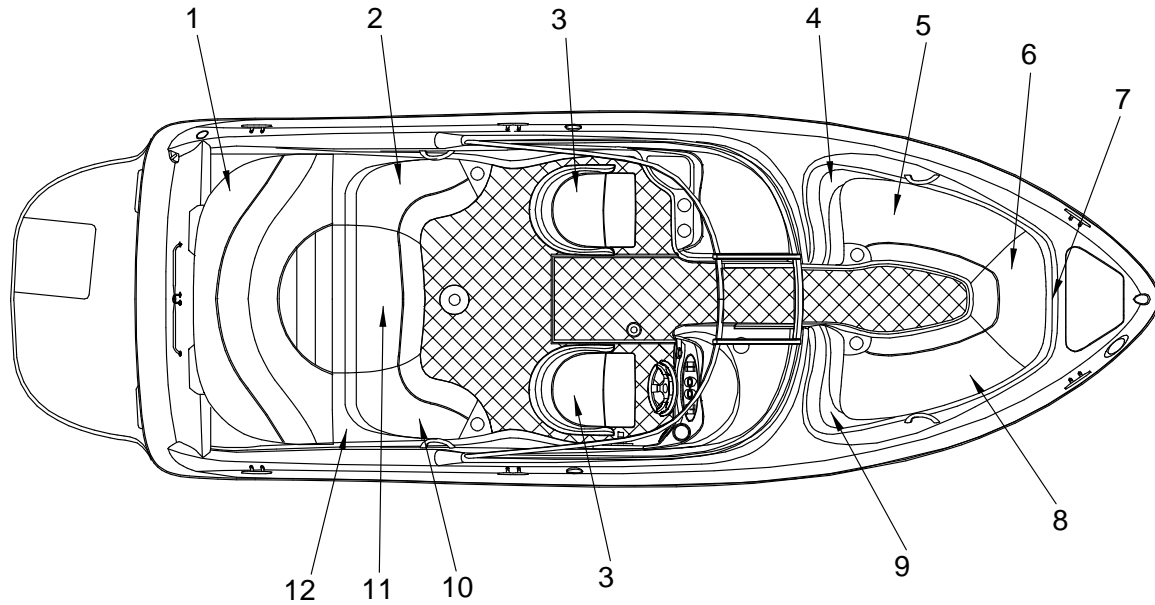
COCKPIT (HELM)

- 1 1719425 DASH ASSY, BLANK:200/220BR-03 FLAX (SC)
- 1507243 HARNESS, MERC DATA S-CRFT 1000-2RSL-20'
- 2 1689853 GAUGE, FUEL LEVEL S-CRFT 2"
- 3 1690512 GAUGE, VOLTS S-CRFT 2"
- 4 1689917 GAUGE, LINK SPEED 3" S-CRFT 0-70MPH
- 757906 CLAMP, HOSE SPRING 1/4" OD SELF TIGHTENING SS
- 5 1689881 GAUGE, LINK TACH 3" S-CRFT 0-6000RPM
- 6 1689852 GAUGE, OIL PRESS 100 PSI S-CRFT 2"
- 7 1689851 GAUGE, TEMP 250F S-CRFT 2"
- 8 204271 DRINKHOLDR, PLAS 4"X3" MUG SZ BLK
- 9 1718631 MODULE, ELEC INTERFACE SPBOAT RV3 (PEANUTEIM)
- 1586650 MODULE, ELEC KEYPAD W/BCKLT 2002 BURL
- 10 1718632 MODULE, ELEC KEYPAD W/BCKLT BURL RV5
- 11 681486 ACTUATOR, ROCK BLK W/O LENS ACCY
- 767194 BODY, ROCK SW SPDT MOM W/BLK BASE
- 1266337 MODULE, DIG LIGHT DIMMER
- CONSOLE DIMMER**
- 12 648097 BODY, ROCK SW SPST BLK 12V INCAND
- 1579879 ACTUATOR, ROCKER BLK W/BKLT LENS T/H EXH
- CORSA EXHAUST OPTION**
- 13 1689883 MONITOR, S-CRFT SYSTEM
- 14 709493 BODY, ROCK SW DPDT (MOM) CEN-OFF W/O LAMP
- 709501 ACTUATOR, ROCK VERT BLK W/O LENS TRIM TABS
- 15 1598465 STEREO, REMOTE CNTRL W/DIGITAL DISPLAY SS
- 1312750 CABLE, CLARION REMOTE EXTENSION CABLE 24'
- 16 1586585 PANEL, IGN SW 2002 GAS VNGR BURL
- 1409366 SWITCH, IGN STARTER
- 1449818 KEY, IGN W/RUBBER SR GRIP "BLANK"
- 1403161 KEY, IGN W/RUBBER SR GRIP "J"
- 1403179 KEY, IGN W/RUBBER SR GRIP "K"
- 1403187 KEY, IGN W/RUBBER SR GRIP "L"
- 1403195 KEY, IGN W/RUBBER SR GRIP "M"
- 1403203 KEY, IGN W/RUBBER SR GRIP "P"
- 1403211 KEY, IGN W/RUBBER SR GRIP "S"
- 1403229 KEY, IGN W/RUBBER SR GRIP "R"
- 1403237 KEY, IGN W/RUBBER SR GRIP "N"
- 17 1287283 RECEPTACLE, FEMALE 12V LONG THRD BLK

NOT SHOWN

- 324756 LABEL, RECEPTACLE 12V-15A MAX (LEXAN)
- 1369743 LABEL, DANGER CO FUMES W/CANVAS

COCKPIT (UPHOLSTERY) TWO BUCKET WITH CIRCULAR AFT SEATING



**COCKPIT (UPHOLSTERY) TWO BUCKET WITH
CIRCULAR AFT SEATING**

1	1747446	240BR 03,CUSH,SNPD
	1747258	240BR 03,CUSH SKN,SNPD
2	1747273	240BR 03,CUSH,CIRC SEAT PRT
	1747255	240BR 03,CUSH SKN,CIRC SEAT PRT
	609883	CLEAT, PLAS 3/4"X 1"X 4" GREY
3	1747477	240BR 03,SEAT,BKT W/THRISE CMPLT
	1747264	240BR 03,CUSH,BKT SEAT BTM
	1747246	240BR 03,CUSH SKN,BKT SEAT BTM
	1747262	240BR 03,CUSH,BKT LOFT CMPLT
	1747246	240BR 03,CUSH SKN,BKT SEAT BTM
	1747263	240BR 03,CUSH,BKT SEAT BACK
		(NOTE: 2 PIECES)
	1747082	240BR 03,CUSH SKN,B/R BKT SEAT
	1441195	SHELL, BKT SEAT SPBT/SPCR-01 W/THGHRS
	1690896	PLATE, ALUM 1/4"X 2"X 9.75" W/2" TAPPED HOLES
4	1746935	240BR 03,BLSTR,PRT BOW
	1746934	240BR 03,BLSTR SKN,PRT BOW
5	1747268	240BR 03,CUSH,BOW PRT
	1747251	240BR 03,CUSH SKN,BOW PRT
6	1747445	240BR 03,CUSH,FWD BOW
	1747257	240BR 03,CUSH SKN,FWD BOW
7	1746949	240BR 03,BLSTR,FWD BOW
	1746940	240BR 03,BLSTR SKN,FWD BOW
	1588060	INSERT, BURL 230BR-02 BOW STRG PORT
	1588078	INSERT, BURL 230BR-02 BOW STRG STBD
8	1747270	240BR 03,CUSH,BOW STB
	1747252	240BR 03,CUSH SKN,BOW STB
9	1746936	240BR 03,BLSTR,STB BOW
	1750122	240BR 03,BLSTR SKN,STB BOW
10	1747274	240BR 03,CUSH,CIRC SEAT STB
	1747256	240BR 03,CUSH SKN,CIRC SEAT STB
	609883	CLEAT, PLAS 3/4"X 1"X 4" GREY
11	1747271	240BR 03,CUSH,CIRC SEAT CTR
	1747253	240BR 03,CUSH SKN,CIRC SEAT CTR
	1083419	BLOCK, HDPE 185/190SDOB/210-98 XL HOOK
12	1684839	230BR 02,BLSTR,WRAP AROUND STB
	1746948	240BR 03,BLSTR SKN,WRAP AROUND STB
13	1747467	240BR 03,PANEL,UPS SIDE PRT
	1629245	INSERT, BURL 200/220BR-02 CKPT UPR S/PNL PORT
	840868	LIGHT, COURTESY ROUND W/FROSTED LENS 12V/5W
	1192368	BULB, REPL FOR #0840868 12V/5W
14	1747465	240BR 03,PANEL,MID SIDE PRT FWD
	1750129	240BR 03,PANEL,MID SIDE PRT AFT
15	1747462	240BR 03,PANEL,LWR SIDE PRT
	1747463	240BR 03,PANEL,LWR SIDE STB
16	1747468	240BR 03,PANEL,UPS SIDE STB
	1629260	INSERT, BURL 200/220BR-02 CKPT UPR S/PNL STBD
	840868	LIGHT, COURTESY ROUND W/FROSTED LENS 12V/5W
	1192368	BULB, REPL FOR #0840868 12V/5W
17	1747466	240BR 03,PANEL,MID SIDE STB
18	1747460	240BR 03,MUFF,STB DASH
	1747458	240BR 03,MUFF SKN,STB DASH
19	1747272	240BR 03,CUSH,CIRC SEAT FILR
	1747254	240BR 03,CUSH SKN,CIRC SEAT FILR
20	1747267	240BR 03,CUSH,BOW FILR
	1747250	240BR 03,CUSH SKN,BOW FILR
	1747001	240BR 03,BOARD,PVC BOW FILR OPT
	1745515	LABEL, WARNING DO NOT STAND/WALK THIS AREA
21	1141183	SLIDE ASSY, SEAT MILLENNIUM 10.5" MNT HOLES
22	1154053	PEDESTAL, ALUM 13.25" RIBBED W/DELCUP

CARPET

1579846 CARPET, EXT 24 OZ MOCHA #9230 BT

CARPET SNAP-IN

1609916 CARPET, EXT 28 OZ DUNE PEBBLE #902 RL 7FT

VINYL - ACCENT

1579788 VINYL, GRANDE D FLAX EXP FLAT
1579770 VINYL, GRANDE D FLAX EXP 1/4"F/B

VINYL - BASE 1

1579838 VINYL, GRANDE D PLATINUM EXP FLAT
1579820 VINYL, GRANDE D PLATINUM EXP 1/4"F/B

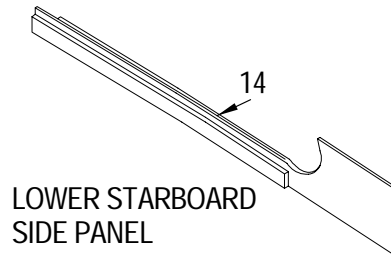
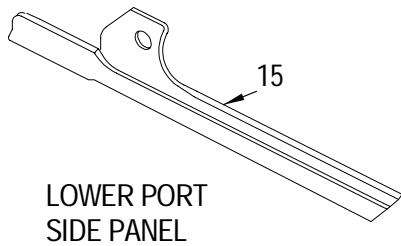
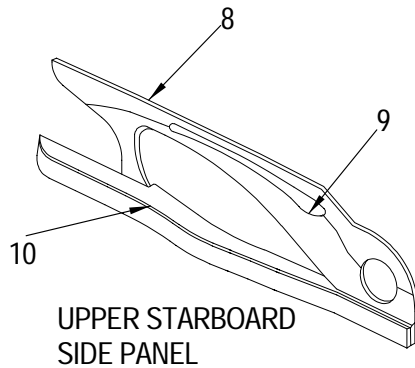
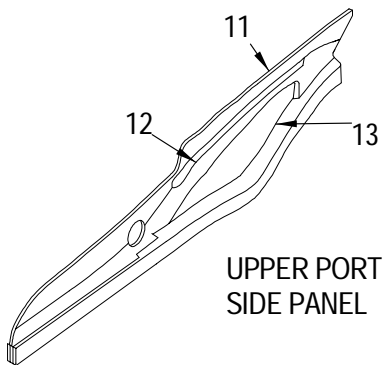
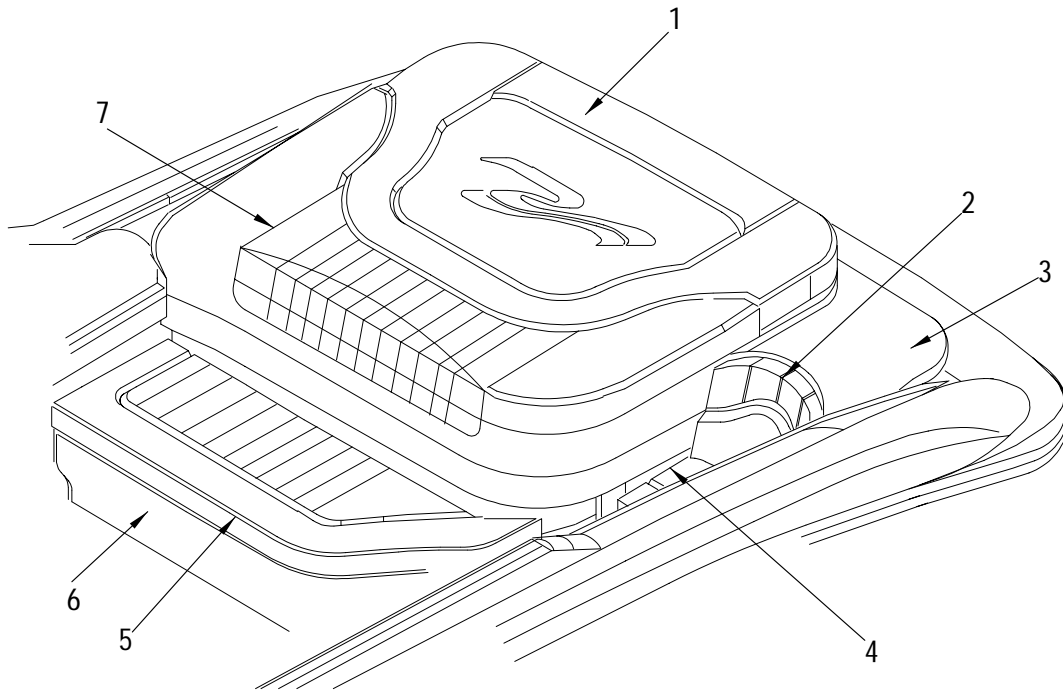
VINYL - BASE 2

1600261 VINYL, SEABROOK D PLATINUM EXP FLAT
1600253 VINYL, SEABROOK D PLATINUM EXP 1/4"F/B

VINYL - WELT

1135714 WELT, GRANDE D GOLD RUSH 5/32"
1164573 WELT, GRANDE D VAN 5/32"
1164599 WELT, TORO D VAN 5/32"
1619212 WELT, DADE PEWTER MIST 5/32"
1621366 WELT, GRANDE PLATINUM 5/32"

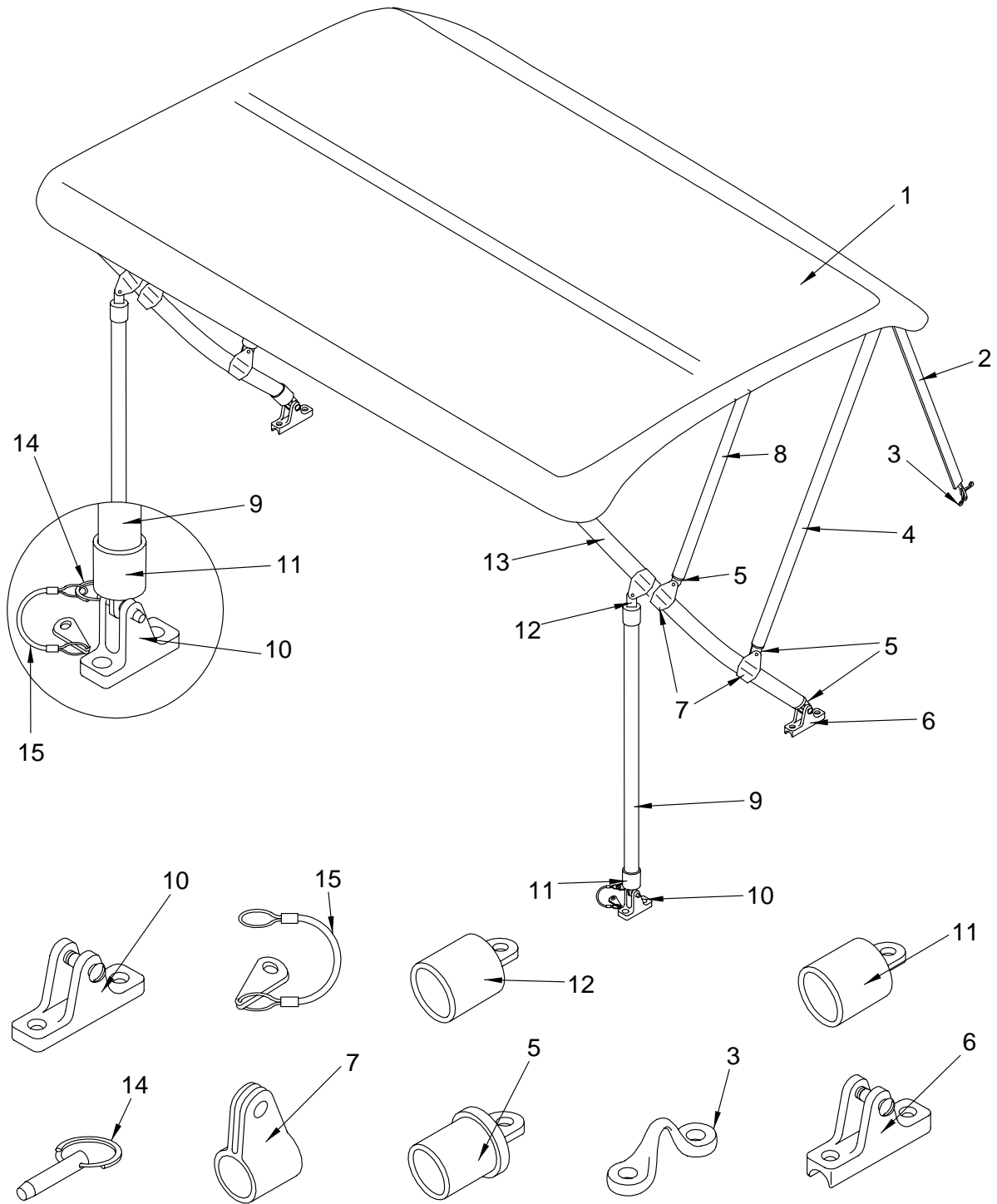
COCKPIT (UPHOLSTERY) AFT WALK-THRU SUNPAD



COCKPIT (UPHOLSTERY) AFT WALK-THRU SUNPAD

1	1747447	240BR 03,CUSH,SNPD CMLPT WLK-THRU
	1747259	240BR 03,CUSH SKN,SNPD CMLPT WLK-THRU
2	1746998	240BR 03,BLSTR,WLK-THRU JMPST
	1746946	240BR 03,BLSTR SKN,WLK-THRU JMPST
3	1747455	240BR 03,HATCH,SNPD WLK-THRU
4	1747450	240BR 03,CUSH,WLK-THRU SEAT
	1747261	240BR 03,CUSH SKN,WLK-THRU SEAT
5	1747449	240BR 03,CUSH,WLK-THRU BNCHST
	1747260	240BR 03,CUSH SKN,WLK-THRU BNCHST
6	1746938	240BR 03,BASE,BNCHST,WLK-THRU FBRGLS
7	1746997	240BR 03,BLSTR,SNPD WLK-THRU
	1746945	240BR 03,BLSTR SKN,SNPD WLK-THRU
8	1747476	240BR 03,PNL,UPR STD WLK-THRU (ABOVE # IS COMPLETE PART)
	1747472	240BR 03,PNL SKN,UPR STD WLK-THRU
9	1629260	INSERT, BURL 200/220BR-02 CKPT UPR S/PNL STBD
10	1746933	240BR 03,ARMRST,STB WLK-THRU (ABOVE # IS COMPLETE PART)
	1746929	240BR 03,ARMRST SKN,STB WLK-THRU
11	1747475	240BR 03,PNL,UPR PRT WLK-THRU (ABOVE # IS COMPLETE PART)
	1747471	240BR 03,PNL SKN,UPR PRT WLK-THRU
12	1629245	INSERT, BURL 200/220BR-02 CKPT UPR S/PNL PORT
13	1746931	240BR 03,ARMRST,PRT WLK-THRU (ABOVE # IS COMPLETE PART)
	1746928	240BR 03,ARMRST SKN,PRT WLK-THRU
14	1747474	240BR 03,PNL,LWR STD WLK-THRU (ABOVE # IS COMPLETE PART)
	1747470	240BR 03,PNL SKN,LWR STD WLK-THRU
15	1747473	240BR 03,PNL,LWR PRT WLK-THRU (ABOVE # IS COMPLETE PART)
	1747469	240BR 03,PNL SKN,LWR PRT WLK-THRU

CANVAS (BIMINI TOP)



CANVAS (BIMINI TOP)

1	1734067	CANVAS, 240BR/ES-03 BIM TOP PTY
	1734068	CANVAS, 240BR/ES-03 BIM TOP MEDB
	1734070	CANVAS, 240BR/ES-03 BIM TOP HNTR
	1734072	CANVAS, 240BR/ES-03 BIM TOP BLK
2	922088	CANVAS, 210/230BR-97 BIM TOP FWD STRAP BLK
	922096	CANVAS, 210/230BR-97 BIM TOP HDWR MNT PKG
3	195412	EYE, STRAP EYE (SNAP EYE) CHROME (CONV TOP)
4	922070	CANVAS, 210/230BR-97 BIM TOP BOW2 N/HDWR
5	595488	CAP, INSIDE EYE END 7/8" GREY NYLON
6	174953	HINGE, DECK CONCAVE 1" SS CONV TOP
7	595462	SLIDE, JAW SLIDE NYLON 7/8" GREY (CONV TOP)
8	922047	CANVAS, 210/230BR-97 BIM TOP BOW3 N/HDWR
9	922039	CANVAS, 210/230BR-97 BIM TOP REAR POLE
10	174961	HINGE, DECK W/10DEG ANGLE SS CONV TOP
11	221085	CAP, SS EYE END 7/8"
12	595470	CAP, NYLON EYE END OUTSIDE GREY 7/8"
13	922054	CANVAS, 210/230BR-97 BIM TOP MAIN BOW N/HDWR
	922062	CANVAS, 210/230BR-97 BIM TOP BOWS W/HDWR
14	720201	PIN, PULL 3/16" W/CABLE
15	418632	LANYARD, W/TAB/RING

AFT CURTAIN

1734084	CANVAS, 240BR/ES-03 AFT CURT PTY
1734085	CANVAS, 240BR/ES-03 AFT CURT MEDB
1734086	CANVAS, 240BR/ES-03 AFT CURT HNTR
1734087	CANVAS, 240BR/ES-03 AFT CURT BLK

BIMINI TOP BOOT

1734074	CANVAS, 240BR/ES-03 BIM TOP BOOT E/S PTY
1734075	CANVAS, 240BR/ES-03 BIM TOP BOOT MEDB
1734076	CANVAS, 240BR/ES-03 BIM TOP BOOT HNTR
1734077	CANVAS, 240BR/ES-03 BIM TOP BOOT BLK

CANVAS VISORS

1734088	CANVAS, 240BR/ES-03 VISOR CURT 3PC PTY
1734090	CANVAS, 240BR/ES-03 VISOR CURT 3PC MEDB
1734091	CANVAS, 240BR/ES-03 VISOR CURT 3PC HNTR
1734092	CANVAS, 240BR/ES-03 VISOR CURT 3PC BLK

CANVAS W/ CIRCULAR SEATING

1718868	CANVAS, 230BR-02 CPC W/TWR W/CIRC SEATING BLK
1718869	CANVAS, 230BR-02 CPC W/TWR W/CIR SEATING HNTR
1718870	CANVAS, 230BR-02 CPC W/TWR W/CIR SEATING MEDB
1718871	CANVAS, 230BR-02 CPC W/TWR W/CIRC SEATING PTY
1735593	CANVAS, 240BR/ES BIM CPC W/CIRC ST N/SNPS BLK
1735594	CANVAS, 240BR/ES BIM CPC W/CIRC ST N/SNPS HNTR
1735595	CANVAS, 240BR/ES BIM CPC W/CIRC ST N/SNPS MEDB
1735596	CANVAS, 240BR/ES BIM CPC W/CIRC ST N/SNPS PTY
1735627	CANVAS, 240BR/ES-03 AFT CURT W/CIRC SEAT BLK
1735628	CANVAS, 240BR/ES-03 AFT CURT W/CIRC SEAT HNTR
1735629	CANVAS, 240BR/ES-03 AFT CURT W/CIRC SEAT MEDB
1735630	CANVAS, 240BR/ES-03 AFT CURT W/CIRC SEAT PTY

CANVAS WITH TOWER

1460609	CANVAS, 230BR-02 CPC W/TWR MEDB
1460617	CANVAS, 230BR-02 CPC W/TWR HNTR
1635549	CANVAS, 200/220/230-02 BIM TOP W/TWR PTY
1635572	CANVAS, 200/220/230-02 BIMTOP BOOT W/TWR MEDB
1635580	CANVAS, 200/220/230-02 BIM TOP W/TWR MEDB
1635598	CANVAS, 200/220/230-02 BIMTOP BOOT W/TWR HNTR
1635606	CANVAS, 200/220/230-02 BIM TOP W/TWR HNTR
1646033	CANVAS, 200/220/230-02 BIM TOP BOOT W/TWR BLK
1646041	CANVAS, 200/220/230-02 AFT BIM TOP W/TWR BLK
1683969	CANVAS, 230BR-02 CPC W/TWR BLK
1683970	CANVAS, 230BR-02 CPC W/TWR PTY

COCKPIT COVER OPTION

1734093	CANVAS, 240BR/ES-03 BIM CPC N/SNPS PTY
1734094	CANVAS, 240BR/ES-03 BIM CPC N/SNPS MEDB
1734095	CANVAS, 240BR/ES-03 BIM CPC N/SNPS HNTR
1734098	CANVAS, 240BR/ES-03 BIM CPC N/SNPS BLK
1273226	CANVAS, 230BR-02 BIM CPC W/SNPS HNTR
1579671	CANVAS, 230BR-02 BIM CPC W/SNPS MEDB
1643873	CANVAS, 230BR-02 BIM CPC W/SNPS BLK
1648922	CANVAS, 230BR-02 BIM CPC W/SNPS PTY

NOT SHOWN

788547	CANVAS, STRG BAG 10X60 LRG GREY 95
1092162	CANVAS, STRG BAG 12X38 CLOUDBRST TONNEAU/CKPT

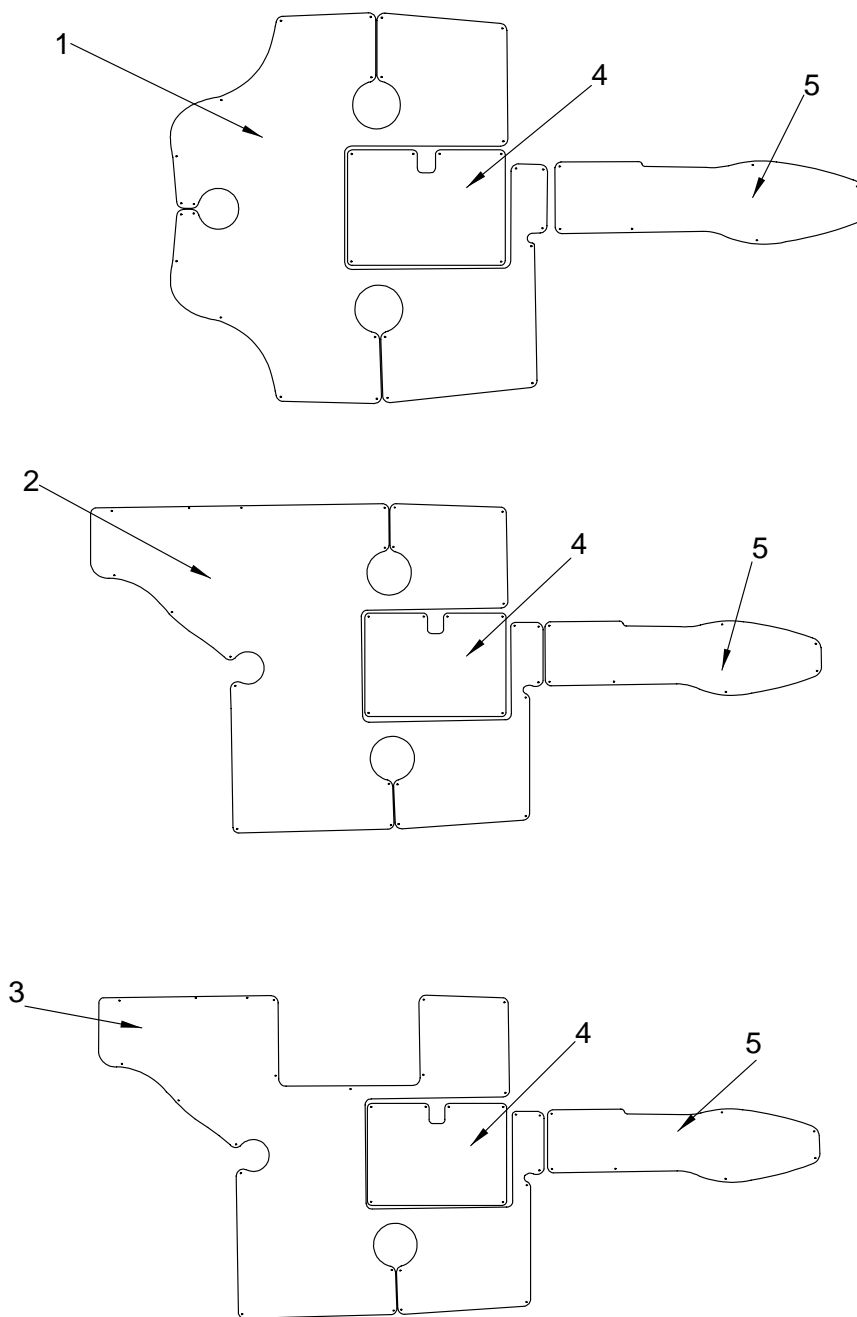
SIDE CURTAINS

1734078	CANVAS, 240BR/ES-03 BIM SD CTN SET PTY
1734079	CANVAS, 240BR/ES-03 BIM SIDE CTN SET MEDB
1734082	CANVAS, 240BR/ES-03 BIM SIDE CTN SET HNTR
1734083	CANVAS, 240BR/ES-03 BIM SIDE CTN SET BLK

TONNEAU COVER OPTION

1273325	CANVAS, 230BR-02 TONNEAU CVR HNTR
1579689	CANVAS, 230BR-02 TONNEAU CVR MEDB
1643881	CANVAS, 230BR-02 TONNEAU CVR BLK
1648963	CANVAS, 230BR-02 TONNEAU CVR PTY

COCKPIT (SNAP-IN CARPET LINER)



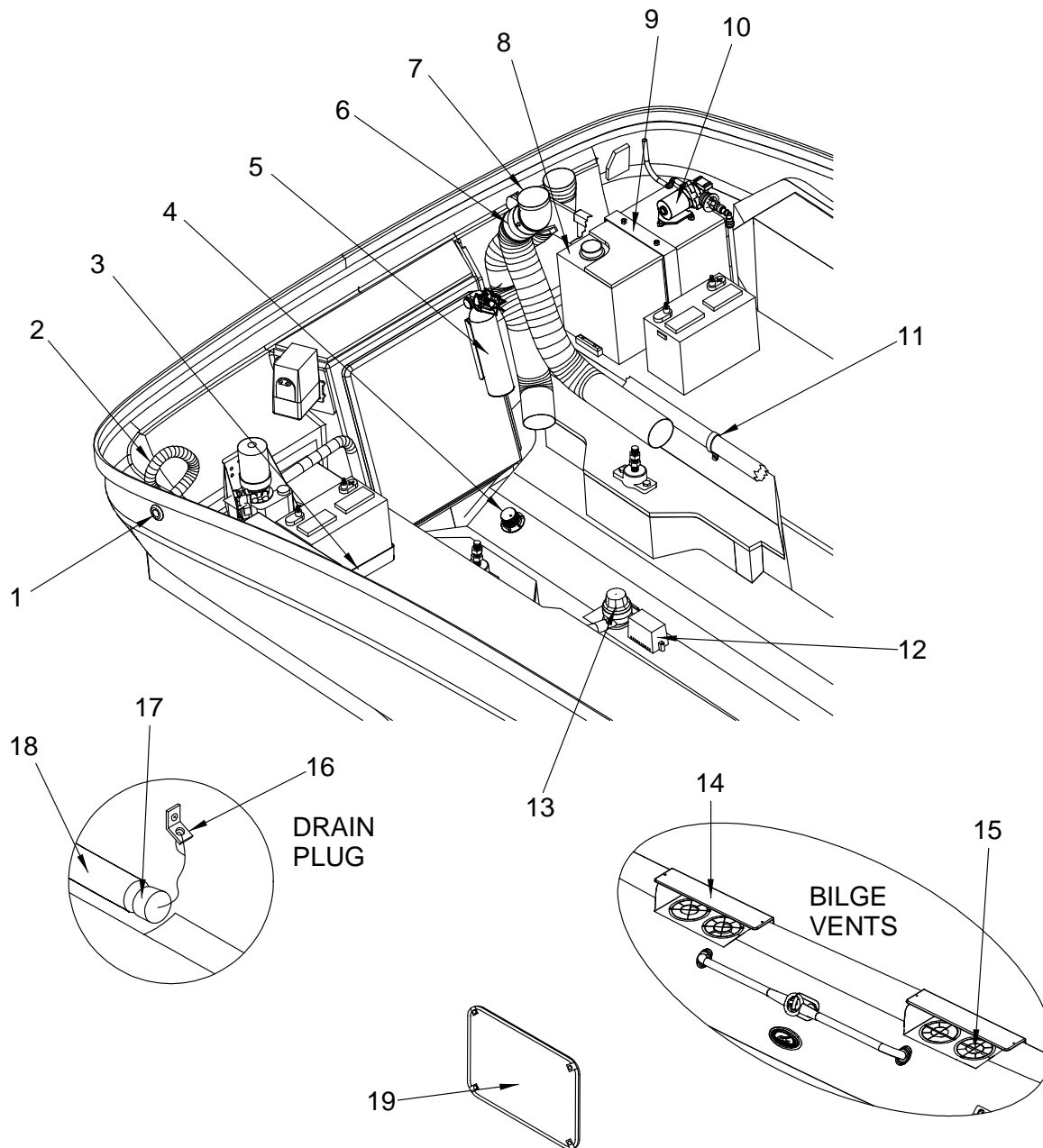
COCKPIT (SNAP-IN CARPET LINER)

- 1 1747077 240BR 03,CARPET,SNPN CIRC SEAT CMPLT
- 1747072 240BR 03,CARPET,SNPN CIRC CKPT ONLY
- 2 1747080 240BR 03,CARPET,SNPN SNPD WALK-THRU CMPLT
- 1747081 240BR 03,CARPET,SNPN WLK-THRU CKPT ONLY
- 3 1750266 240BR 03,CARPET,SNPN WLKTHRU W/ B/B ONLY
- 1750267 240BR 03,CARPET,SNPN WALKTHRU W/ B/B CMPLT
- 4 1747078 240BR 03,CARPET,SNPN CTR AFT
- 5 1747079 240BR 03,CARPET,SNPN CTR FWD

MISCELLANEOUS

- 154369 SNAP STUD, W/#8 X 3/8" PH SS
- 154393 SNAP SOCKET, MED ACTION
- 258152 SNAP BUTTON, W/1/4" BARREL
- 800326 BINDING, CANVAS 1" LINEN STRAIGHT SUNBRELLA

BILGE



BILGE

1	1098417	THRU-HULL, PLAS 1 1/8" PRL
	1109784	THRU-HULL, PLAS 1 1/8" GXLY BLUE
	1114438	THRU-HULL, PLAS 1 1/8" HNTR
2	123901	HOSE, CORR BILGE 1 1/8" BLK
	256685	CLAMP, HOSE #16 3/4"-1.5" SS. 505
3	1239458	HOLDER, BATTERY GR27/31 BLK NYLON W/SS
	1216514	BOOT, BATTERY CABLE 4/0 BLK 1"
	1216522	BOOT, BATTERY CABLE 4/0 RED 1"
	1434604	CABLE, BATT RED 34" 2AWG LUG 3/8" RING
	1434620	CABLE, BATT BLK 42" 2AWG LUG 3/8" RING
4	894170	TRANSDUCER, 20DEG THRU-HULL W/ URETHANE FACE
5	196337	HALON SYS, AUTOMATIC 150CF (1301 HALON)
6	1587096	BLOWER, BILGE 4" #240MQ W/CONN
7	124016	HOSE, VENT/BLOWER 4" EX HVY DTY
8	508291	TANK, WATER - 8GAL W/FILL CAP
9	129247	BAR, ALUM FLAT 1/8"X 2"X 12'
10	1480433	PUMP, FRESH WATER SHURFLO 2.8GPM IMP SOFT MNT
11	123604	CLAMP, LOOM VINYL DIP 2.5"
12	1193671	SWITCH, FLOAT RULE W/CVR
13	1690247	PUMP, BILGE 1100GPH W/IMPELLOR HOUSING VANES
14	1431865	DAM, BILGE VENT 1"X 2.5"X 16" 01
15	716159	VENT, PLAS GRILL 4" BLK
16	418632	LANYARD, W/TAB/RING
17	156224	PLUG, DRAIN PLUG SNAPTITE 7/8"
18	130351	PIPE, PVC SCH 20 BOE PIPE 3/4" X 20'
19	1750064	240BR 03,CANVAS,BILG BLKHD FLAP STB
	1750065	240BR 03,CANVAS,BILG BLKHD FLAP PRT

GELCOATS

1452861	GEL COAT, PEARL AIR-DRY (BILGE)
---------	---------------------------------

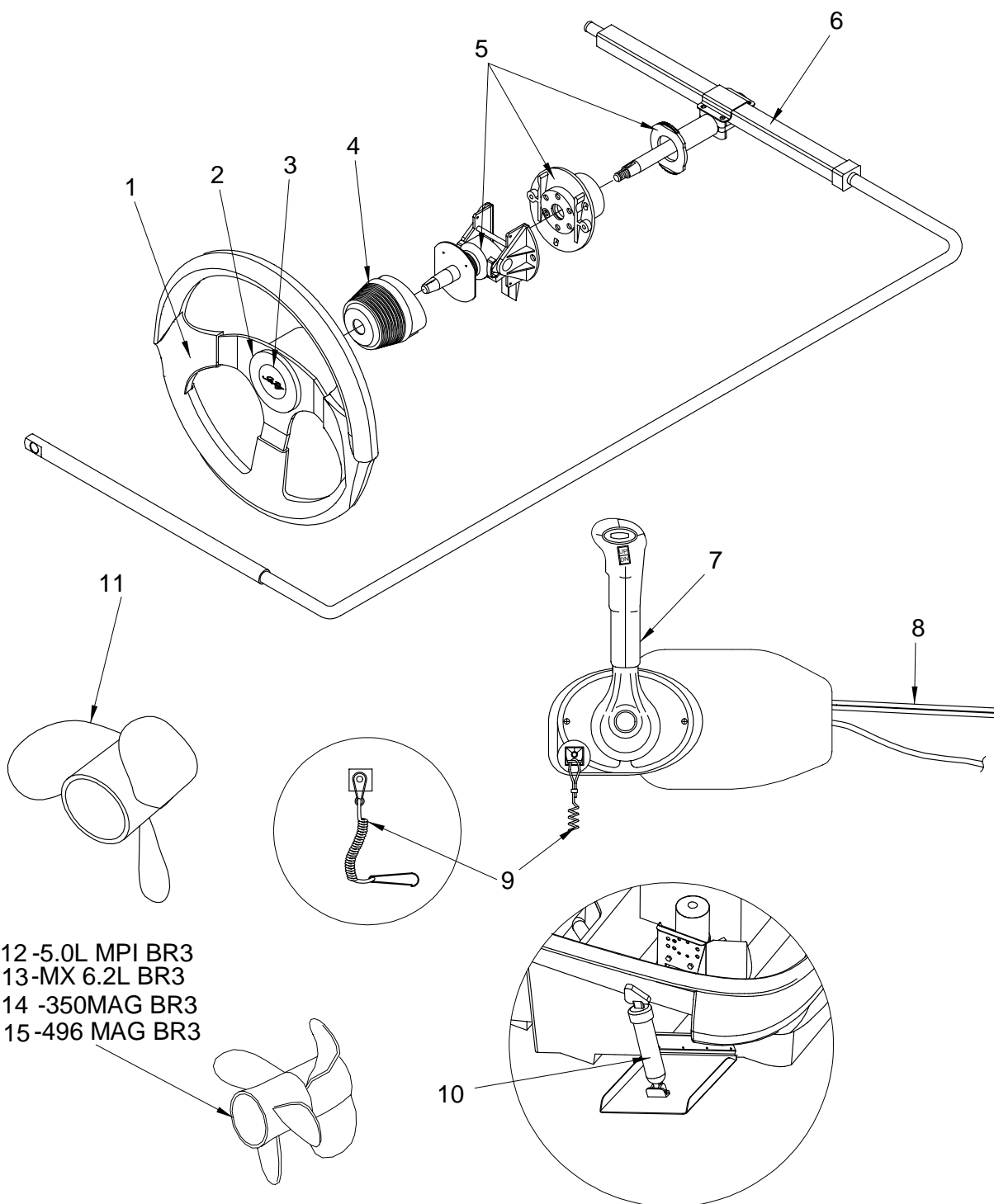
LABELS

852624	LABEL, STAY CLEAR OF MOVING PARTS
--------	-----------------------------------

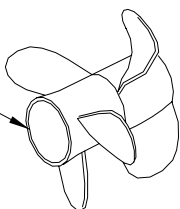
NOT SHOWN

136853	NOSING, ALUM 5/8"X 12' T-1 ROUNDED BRITE BUFF
1413764	FOAM, P/C 230BR-01 CONV BILGE
840868	LIGHT, COURTESY ROUND W/FROSTED LENS 12V/5W
1192368	BULB, REPL FOR #0840868 12V/5W

STEERING SYSTEM



- 12 -5.0L MPI BR3
- 13 -MX 6.2L BR3
- 14 -350MAG BR3
- 15 -496 MAG BR3



STEERING SYSTEM

- 1 1621317 STEERING WHEEL, POLISHED 3-SPOKE MAHOGANY 02
- 2 1687407 STEERING WHEEL, SPOKE CVR W/RING VNGR BRL
- 3 917013 EMBLEM, S/R EMB SCRIPT WHEEL GOLD-BEZEL 1.75"
- 4 958439 STEERING, BELLOWS TILT STEERING BLK
- 5 662510 STEERING, PERFORMANCE TILT MECHANISM
- 1092246 STEERING, TILT HELM BACK-MNT
- 6 1091867 STEERING, BACK MNT RACK/CABLE 17.0' ASSY
- 7 1458900 CONTROL, REM THRTL/SHIFT CLSC 4000 W/CONN
- 8 974071 CABLE, CONTROL TELEFLEX 15' 600A/MERC SERIES
- 1006303 CABLE, CONTROL TELEFLEX 14' 600A/MERC SERIES
- 123604 CLAMP, LOOM VINYL DIP 2.5"
- 9 778928 LANYARD, COILED STOP SWITCH
- 10 1292051 TRIM TAB, ASSY 10X12 PARA W/HDWR/FLUID/P/CACT

496 MAG BR 3 (375 PHP) W/ CORSA EXHAUST

- 15 708230 PROP, 15"X 28" SS BR3 LH
- 708248 PROP, 13.75"X 28" SS BR3

5.0L BRAVO 3 (260PHP) MCM STERN DRIVE

- 12 708198 PROP, 15.5"X 24" SS BR3 LH
- 708206 PROP, 14.25"X 24" SS BR3 RH

496 MAG BR1 (375 PHP) MCM STERN DRIVE

- 11 127399 PROP, 14.75"X 21" SS MIRAGE PLUS RH

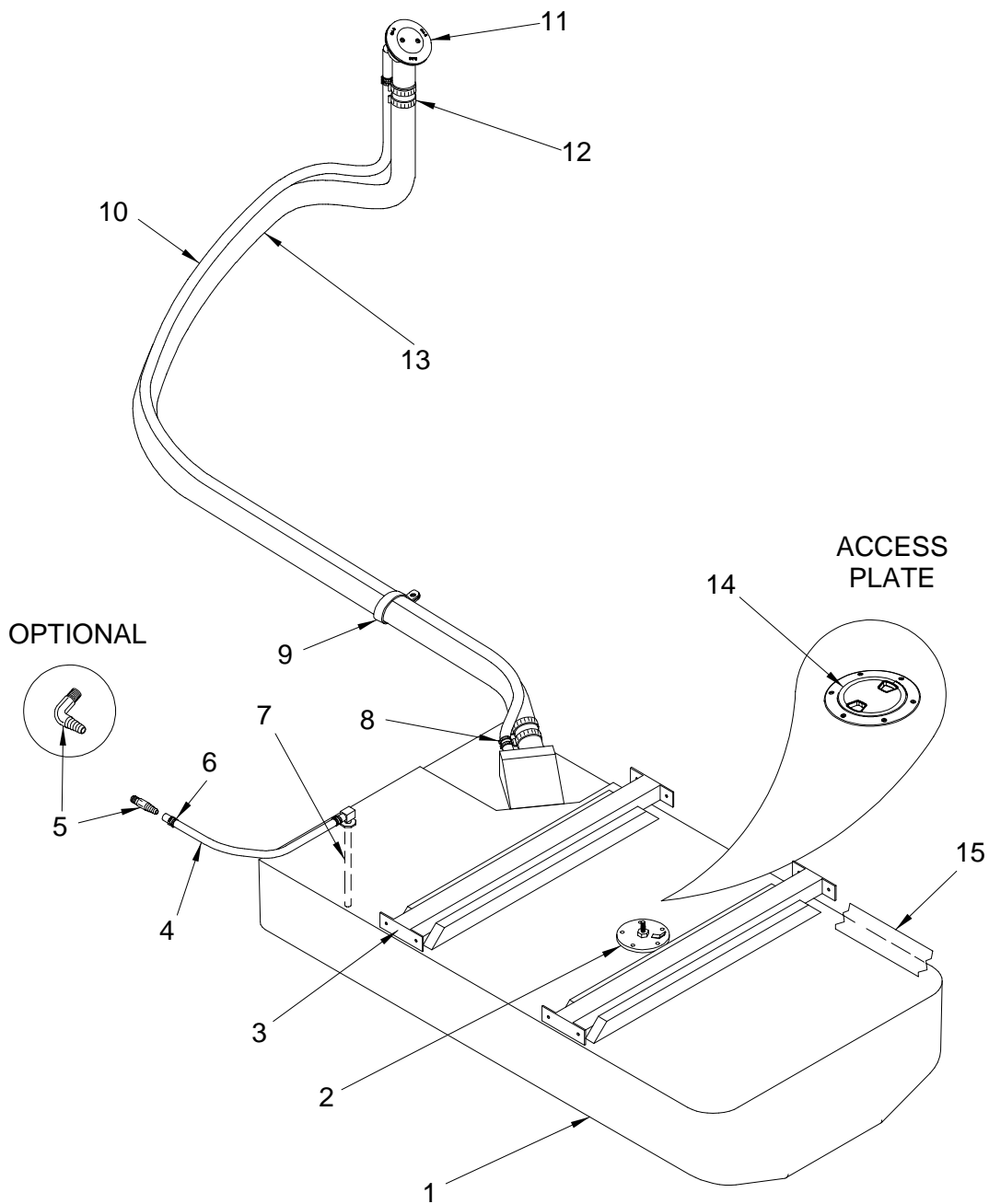
MX 6.2L MPI BR3 (320 PHP) MCM STERN DRIVE

- 13 708214 PROP, 15.25"X 26" SS BR3 LH
- 708222 PROP, 14"X 26" SS BR3 RH

350 MAG MPI BR3 (300PHP) MCM STERN DRIVE

- 14 708198 PROP, 15.5"X 24" SS BR3 LH
- 708206 PROP, 14.25"X 24" SS BR3 RH

FUEL SYSTEM



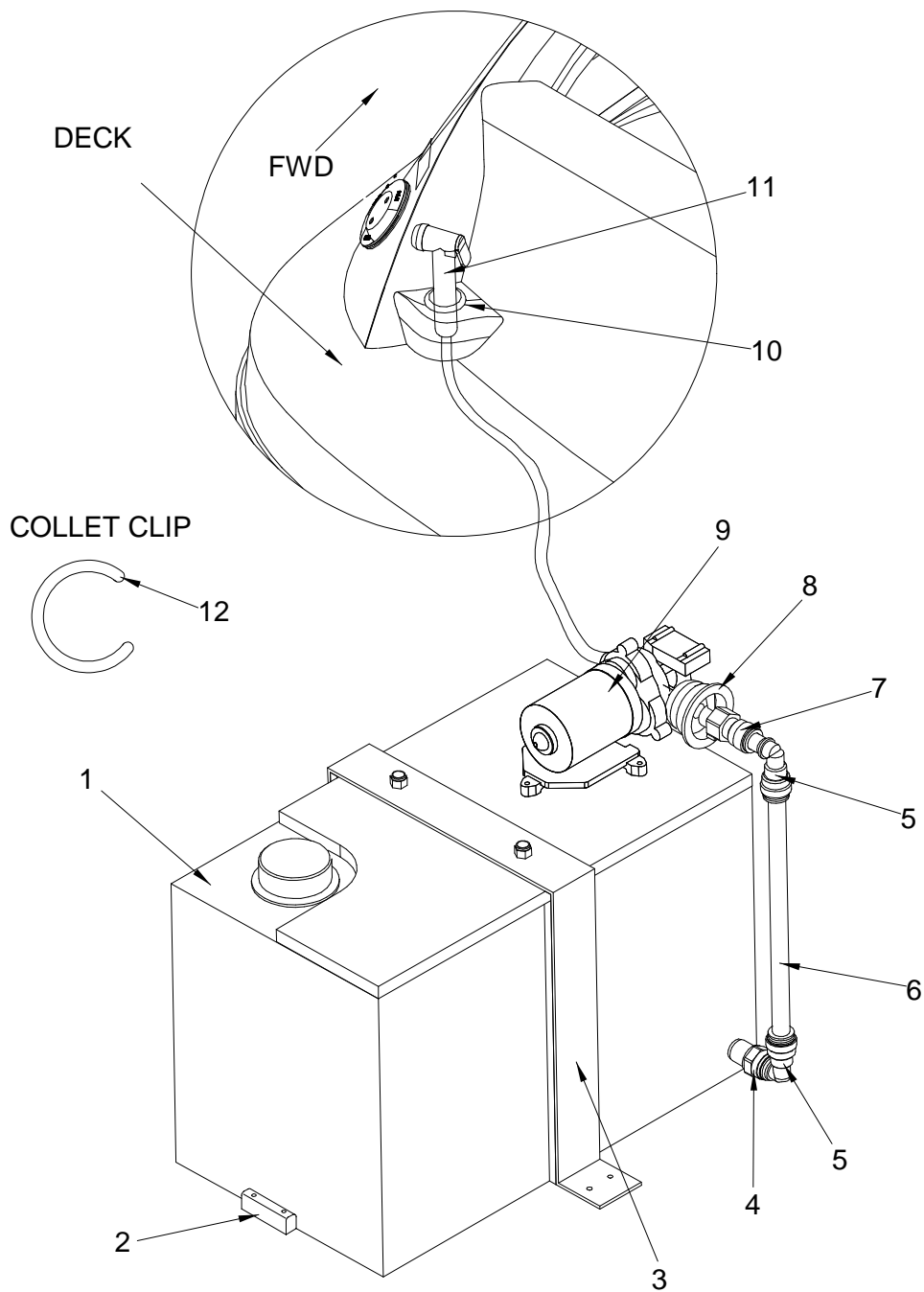
FUEL SYSTEM

- 1 1744944 TANK, FUEL 240BR-03 57GAL PLAS W/SS SENDER
- 2 1745009 SENDING UNIT, WEMA 10" SS W/SCRW & GASKET
- 1462316 GASKET, SENDING UNIT FUEL
- 3 1524610 BRACKET, FUEL TANK 29.5"
- 1497452 TAPE, FOAM NEOPRENE W/3M 9828 3/8"TH X 2"W
- 4 1497486 HOSE, FUEL 3/8" ISO/CE W/PLAS LINER
- 5 147611 ADAPTER, BRASS 1/4"MPT X 3/8"BARB
- 258285 ELBOW, BRASS 90DEG 1/4"MPT X 3/8"BARB
- 6 263954 CLAMP, HOSE #10 1/2"-1 1/8" SS .505
- 7 1462191 TUBE, PICK-UP ASSY 230BR-01
- 1221217 ELBOW, FUEL P/U FOR TANK ASSY
- 1433903 TANK, FUEL HDWR ANTI SIPHON VALVE
- 1433895 TANK, FUEL HDWR 1/2" SS SCREEN
- 1098250 TUBE, P/U FUEL-SPECIFY TANK (FOR#1076223)
- 8 263954 CLAMP, HOSE #10 1/2"-1 1/8" SS .505
- 9 123604 CLAMP, LOOM VINYL DIP 2.5"
- 10 123778 HOSE, FUEL 5/8" TYPE A CLASS 2
- 11 1109354 DECK PLATE, GAS CHR W/VENT 45DG NCK RED CODE
- 1098615 DECK PLATE, GAS CHR W/VENT (SHIM ONLY)
- 1068592 KEY, DECK PLATE CAP
- 12 256693 CLAMP, HOSE #24 1"-2" SS .505
- 13 123745 HOSE, FUEL 1.5" TYPE A CLASS 2
- 14 1155993 ACCESS PLATE, POLYPROP W/O-RING 4" PEARL
- 15 468934 TAPE, VAC PAK WHT (4"X 36YDS) PRESERVATION

LABELS

- 852533 LABEL, FUEL RECOMMENDATION
- 1745513 LABEL, WARNING LEAKING FUEL

WATER SYSTEM (WITH PRESSURE WATER SYSTEM UPGRADE OPTION)



**WATER SYSTEM (WITH PRESSURE WATER SYSTEM
UPGRADE OPTION)**

- 1 508291 TANK, WATER - 8GAL W/FILL CAP
- 1750119 240BR 03,BOARD,MOUNTING WTR TANK
- 2 609883 CLEAT, PLAS 3/4"X 1"X 4" GREY
- 3 1750118 240BR 03,BRACKET,WTR TANK
- 1497452 TAPE, FOAM NEOPRENE W/3M 9828 3/8"TH X 2"W
- 4 1216308 ADAPTER, SEATECH STRAIGHT 1/2"M-15MM BRASS
- 5 1214840 ELBOW, SEATECH 90DEG STEM 15MM
- 6 1210160 TUBING, SEATECH 15MM X 11MM X 250' BLUE
- 7 1453984 FITTING, NEPT 1/2"FEM SWVL BLK
- 8 406710 FILTER, IN-LINE WATER 1/2" FPT
- 9 1480433 PUMP, FRESH WATER SHURFLO 2.8GPM IMP SOFT MNT
- 10 1388743 HOLDER, PLAS SPRAYER PRL
- 11 1597921 SHOWER, SPRAY NOZZLE W/8"SS HOSE HVY DUTY
- 12 1215235 CLIP, SEATECH COLLET 15MM

NOT SHOWN

- 221903 LABEL, FRESH WATER (LEXAN)

496 MAG BR 3 (375 PHP) W/ CORSA EXHAUST

1583384	ACC PART, MERC EXHAUST PIPE (Y PIPE)
1579879	ACTUATOR, ROCKER BLK W/BUE LENS T/H EXH
147611	ADAPTER, BRASS 1/4"MPT X 3/8"BARB
648097	BODY, ROCK SW SPST BLK 12V INCAND
1684388	CAP, PROTECT CLAMP RBR .045"X.465-1/2"BLK
256743	CLAMP, HOSE #72 3 1/8"-5" SS .505
982439	EXHAUST, EL 4"X 90DEG SS 230BR/OVSS-97
1440452	EXHAUST, TIP SS 4" W/FLANGE 230BR-01
124107	HOSE, EXHAUST 4" SW
1689673	MUFFLER, CAPT CALL W/ELBOW/2"RSR/HRNS 496MAG
1086974	OUTDRIVE UNIT, MERC BRAVO III 2:1
1736148	PITOT, S-CRFT SPEEDO KIT BIG BLOCK
1524479	S/D, MERC 375HP 496 MAG W/RSR BRIII

350 MAG MPI BR 3 (300 PHP) MCM STERN DR.

1218213	ACC PART, MERC SPACER KIT TRIM CYL
1086990	OUTDRIVE UNIT, MERC BRAVO III 2.20:1
1738452	S/D, MERC 300HP 350MAG MPI DE BRIII W/RSR

MX 6.2 MPI BR 3 (320 PHP) MCM STERN DRIVE

1218213	ACC PART, MERC SPACER KIT TRIM CYL
1086990	OUTDRIVE UNIT, MERC BRAVO III 2.20:1
708222	PROP, 14"X 26" SS BR3 RH
708214	PROP, 15.25"X 26" SS BR3 LH
1738461	S/D, MERC 320HP MX6.2 MPI DE BRIII W/RSR

5.0L MPI BR 3 (260 PHP) MCM STERN DRIVE

1218213	ACC PART, MERC SPACER KIT TRIM CYL
258285	ELBOW, BRASS 90DEG 1/4"MPT X 3/8"BARB
1086990	OUTDRIVE UNIT, MERC BRAVO III 2.20:1
1738460	S/D, MERC 260HP 5.0L MPI DE BRIII W/RSR

496 MAG BR 1 (375 PHP) W/ CORSA EXHAUST

1583384	ACC PART, MERC EXHAUST PIPE (Y PIPE)
1579879	ACTUATOR, ROCKER BLK W/BUE LENS T/H EXH
147611	ADAPTER, BRASS 1/4"MPT X 3/8"BARB
648097	BODY, ROCK SW SPST BLK 12V INCAND
1684388	CAP, PROTECT CLAMP RBR .045"X.465-1/2"BLK
256743	CLAMP, HOSE #72 3 1/8"-5" SS .505
982439	EXHAUST, EL 4"X 90DEG SS 230BR/OVSS-97
1440452	EXHAUST, TIP SS 4" W/FLANGE 230BR-01
124107	HOSE, EXHAUST 4" SW
1689673	MUFFLER, CAPT CALL W/ELBOW/2"RSR/HRNS 496MAG
1086982	OUTDRIVE UNIT, MERC BRAVO I 1.50:1
1736148	PITOT, S-CRFT SPEEDO KIT BIG BLOCK
127399	PROP, 14.75"X 21" SS MIRAGE PLUS RH
1524461	S/D, MERC 375HP 496 MAG W/RSR BR I

EXECUTIVE SERIES PACKAGE

274373	BUMPER, CANOE CLIP MED WHT
731182	CABLE, RCA AUDIO "Y" (1-FM/ 2-M)
736629	CABLE, RCA AUDIO 6' W/EFX-2 CONN
1734084	CANVAS, 240BR/ES-03 AFT CURT PTY
1734093	CANVAS, 240BR/ES-03 BIM CPC N/SNPS PTY
1734078	CANVAS, 240BR/ES-03 BIM SD CTN SET PTY
1734074	CANVAS, 240BR/ES-03 BIM TOP BOOT E/S PTY
1734067	CANVAS, 240BR/ES-03 BIM TOP PTY
1735709	CANVAS, 240BR/ES-03 TONNEAU CVR W/SNPS PTY
1734088	CANVAS, 240BR/ES-03 VISOR CURT 3PC PTY
878652	CANVAS, SPBOAT STRG BAG 10X70 XLRG GREY 97
1092162	CANVAS, STRG BAG 12X38 CLOUDBRST TONNEAU/CKPT
1688449	DOOR, HDPE 230ES-02 PT STRG BI-FOLD W/FRM PRL
1689103	EMBLEM, EXECUTIVE W/S/R URETHANE BLK W/CHR
1689585	HARNESS, 230ES-02 STEREO AMP
801324	HDPE, 1/4"X 4'X 8' LAVANT II UTIL GRD BLK
1480813	LATCH, FLUSH MOUNT ROUND T-HNDL SS W/PAWL
136853	NOSING, ALUM 5/8"X 12' T-1 ROUNDED BRITE BUFF
1689617	PANEL, 230ES-02 ENG HTCH/SNPD/AIR PMP ACT SW
1726744	PUMP, AIR COMPRESSOR 230BR/ES
1073741	PVC BOARD, 1/2"X 4'X 8' WHT LOW DEN
1642685	RAIL, GRAB BAJA 8 5/8" SS W/3" STUD
194225	SNAP REINFORCEMENT, PLAS BACKER
154393	SNAP SOCKET, MED ACTION
154369	SNAP STUD, W/#8 X 3/8" PH SS
1734509	SPEAKER, 10" SUBWOOFER CM2503
1598853	STEREO, AMP CLARION APX400 4M
1687565	SUPPORT, W/S 230ES-02 PORT
1687566	SUPPORT, W/S 230ES-02 STBD
157495	TAB, PULL TAB MATERIAL 6"
1368638	THRU-HULL, PLAS 1 1/8" BLK

EXECUTIVE SERIES PACKAGE (continued)

1645274	THRU-HULL, PLAS 5/8" BLK
1688392	W/S, 230ES-02 SS CMLPT W/CONT TOP TRIM W/SNAP

STBD BUCKET / PORT B/B / SUN PAD/ JUMP SEAT

1668821	B/B SEAT, SPBT-02 PLTNM/PWTR MIST/FLAX
964890	BRACKET, H/S FOLDUP 2PC RV2
1158302	DOOR, STRG W/8.5"X 26.75" PRL FRAME
1558469	GEL COAT, MAXGUARD LE PEARL
1452861	GEL COAT, PEARL AIR-DRY (BILGE)
1249770	PLATE, ALUM 3/16"X 2"X 3" HOLES TAPPED

2ND DIGITAL STEREO REMOTE CONTROL -TRANSOM

935080	CABLE, CLARION DUAL REMOTE "Y"
1312750	CABLE, CLARION REMOTE EXTENSION CABLE 24'
1598465	STEREO, REMOTE CNTRL W/DIGITAL DISPLAY SS

BIMINI TOP & BOOT W/ VERTICAL STORAGE

1648799	CANVAS, 230BR-02 BIM TOP BOOT W/EMB PTY
1647452	CANVAS, 230BR-02 BIM TOP PTY

HYDRAULIC TRIM TABS

865378	CONN, BUTT 16/14GA W/THK INS
1410620	HARNESS, 230BR-01 TRIM TAB
1292051	TRIM TAB, ASSY 10X12 PARA W/HDWR/FLUID/P/CACT

WATER SPORTS TOWER FOR EXECUTIVE SERIES PKG

1684174	BRACKET, ALUM 230BR-02 WTR SPRTS TWR
1635549	CANVAS, 200/220/230-02 BIM TOP W/TWR PTY
1635515	CANVAS, 200/220/230-02 BIMTOP BOOT W/TWR PTY
1683970	CANVAS, 230BR-02 CPC W/TWR PTY
1735709	CANVAS, 240BR/ES-03 TONNEAU CVR W/SNPS PTY
1092162	CANVAS, STRG BAG 12X38 CLOUDBRST TONNEAU/CKPT
1666304	TOWER, 240SEL-04 ALUM WTR SPRTS

PORTABLE HEAD (NOT AVAILABLE IN CANADA)

130716	HEAD, PORTABLE SANI POTTI PARCHMENT 2.8GAL
--------	--------------------------------------------

FILLER CUSHION - BOW RIDER

991612	ANGLE, PVC 2"X 2"X 1/4"X 10' WHT
1443431	FOAM, P/C 230BR-01 BOW FILLER CUSH
773630	MESH, WHITE 54"
1073741	PVC BOARD, 1/2"X 4'X 8' WHT LOW DEN
180406	SLIDE, DELRIN #5 WHT 1-S LOCK
283069	VINYL FILM, PLAS 1MM X 5'X 830YD
1579820	VINYL, GRANDE D PLATINUM EXP 1/4" F/B
1579838	VINYL, GRANDE D PLATINUM EXP FLAT
180182	ZIPPER, #5 DELRIN CONTINUOUS WHT

TONNEAU COVER - ONLY

1648963	CANVAS, 230BR-02 TONNEAU CVR PTY
---------	----------------------------------

BATTERY ON / OFF SWITCH

1434695	CABLE, BATT BLK 42" 2/0 LUG 3/8" RING
1434638	CABLE, BATT RED 108" 2/0 LUG 3/8" RING
1434661	CABLE, BATT RED 112" 2/0 3/8" RING
1501782	HOSE, CONDUIT/SPLIT 1/2" FLAME RETARDANT
1501824	HOSE, CONDUIT/SPLIT 3/4" FLAME RETARDANT
921767	LABEL, CAUTION BATTERY SWITCH OFF/ALT DAMAGED
1726841	SWITCH, BATTERY ON/OFF N/LCK N/DISC RV1
1212711	TIE, CABLE 7.5" MED BLK W/SS BARB
1506732	TIE, CABLE 8.5" W/3/4" SCREW/PLAS WASHER

FIRE SUPPRESSION SYSTEM - AUTOMATIC

196337	HALON SYS, AUTOMATIC 150CF (1301 HALON)
1744762	LABEL, WARNING PYHY FIRE EXT PRT (LEXAN)

BATTERY SWITCH-DUAL W/ 2ND TRAY SINGLE ENG.

1216514	BOOT, BATTERY CABLE 4/0 BLK 1"
1216522	BOOT, BATTERY CABLE 4/0 RED 1"
1434695	CABLE, BATT BLK 42" 2/0 LUG 3/8" RING
1434638	CABLE, BATT RED 108" 2/0 LUG 3/8" RING
1434661	CABLE, BATT RED 112" 2/0 3/8" RING
1434653	CABLE, BATT RED 196" 2/0 LUG 3/8" RING
1239458	HOLDER, BATTERY GR27/31 BLK NYLON W/SS
1501782	HOSE, CONDUIT/SPLIT 1/2" FLAME RETARDANT
921767	LABEL, CAUTION BATTERY SWITCH OFF/ALT DAMAGED
1726840	SWITCH, BATTERY SEL W/O LOCK W/O DISC REV 1

SWISS SPECS

140483 ADAPTER, BRASS 1/4"MPT X 3/8"SAE
 123901 HOSE, CORR BILGE 1 1/8" BLK
 1497486 HOSE, FUEL 3/8" ISO/CE W/PLAS LINER
 137380 LIGHT, NAV STERN FLUSH MT CKPT
 224329 VALVE, BRASS FUEL SHUT-OFF ELEC 12V SKINNER

COCKPIT COVER W/ TONNEAU COVER

1648963 CANVAS, 230BR-02 TONNEAU CVR PTY
 1736529 CANVAS, 240BR-03 CPC N/CUT OUTS W/SNPS PTY
 1092162 CANVAS, STRG BAG 12X38 CLOUDBRST TONNEAU/CKPT

BIMINI CANVAS PACKAGE

1647510 CANVAS, 230BR-02 AFT CURT PTY
 1689631 CANVAS, 230BR-02 BIM CPC N/SNPS PTY
 1648807 CANVAS, 230BR-02 BIM SIDE CURT SET PTY
 1648799 CANVAS, 230BR-02 BIM TOP BOOT W/EMB PTY
 1647452 CANVAS, 230BR-02 BIM TOP PTY
 1648963 CANVAS, 230BR-02 TONNEAU CVR PTY
 1648914 CANVAS, 230BR-02 VISOR CURT 3PC CLR/PTY
 878652 CANVAS, SPBOAT STRG BAG 10X70 XLRG GREY 97
 1092162 CANVAS, STRG BAG 12X38 CLOUDBRST TONNEAU/CKPT

TRANSOM TRAILER TRIM SWITCH

263954 CLAMP, HOSE #10 1/2"-1 1/8" SS .505
 747261 SWITCH, TILT EXTERNAL MOUNT

ITALY / SEPARATE BOW LIGHTS

1414895 LIGHT, NAV SIDE SS HORZ 12V

TWO TONE GELCOAT GRAPHICS

1690266 GEL COAT, YELLOW ARMORCOTE
 693234 TAPE, SOLID 1/4" BLACK F/R
 1645274 THRU-HULL, PLAS 5/8" BLK
 1687508 THRU-HULL, SS 1 1/8" X 1 1/8" BARB
 1688448 THRU-HULL, SS 1 1/8" X 5/8" BARB

C E OPTION GROUP

1689453 FOAM, P/C 230BR-02 CE CONV BILGE SUNPAD
 532820 LABEL, DISPOSAL OF GARBAGE
 934539 LABEL, PREVENT DISCHARGE OF POLLUTANTS
 1691479 MANUAL, OWNERS - SEA RAY INT'L 12-LANGUAGE
 1744806 PLATE, CE OPT C:240BR/10PERSON/820KG

C E FIRE SYSTEM - EUROPEAN DEALERS ONLY

934950 FIRE EXT SYS, FM200 100CF GAS-AUTO

1.65 TO 1 BRAVO 1 HIGH ALTITUDE GEAR RATIO

1086966 OUTDRIVE UNIT, MERC BRAVO I 1.65:1

2.43 TO 1 BRAVO 3 HIGH ALTITUDE GEAR RATIO

949198 OUTDRIVE (HI-ALT), MERC BR-III 2.43:1

OWNER ORIENTATION VIDEO - PAL FORMAT

1510536 VIDEO, 01 CANVAS INSTALLATION BR/CLSD BOW PAL
 968339 VIDEO, 97 OWNER ORIENTATION SPBOAT PAL

CORSA THRU-HULL EXHAUST SYSTEM

1579879 ACTUATOR, ROCKER BLK W/BLEND LENS T/H EXH
 648097 BODY, ROCK SW SPST BLK 12V INCAND
 1684388 CAP, PROTECT CLAMP RBR .045"X.465-1/2"BLK
 256743 CLAMP, HOSE #72 3 1/8"-5" SS .505
 982439 EXHAUST, EL 4"X 90DEG SS 230BR/OVSS-97
 1440452 EXHAUST, TIP SS 4" W/FLANGE 230BR-01
 124107 HOSE, EXHAUST 4" SW
 1521335 MUFFLER, CAPT CALL W/ELBOW/RSR 230BR

2 BUCKET SEATS / SUNPAD / CIRCULAR AFT SEAT

876979 BASE, LEG/POST SURF MT ALUM
 964890 BRACKET, H/S FOLDUP 2PC RV2
 634550 BRACKET, SS GAS CYL 90DEG L-BRKT W/BALL LONG
 634592 BRACKET, SS GAS CYL FLAT W/BALL STUD
 1613876 CANVAS, 230BR-01 MTRBX FLAP PORT GRY REV1
 298406 CANVAS, SUNBRELLA CHARCOAL TWEED 60" CHAR
 1579846 CARPET, EXT 24 OZ MOCHA #9230 BT
 1413756 CLEAT, HDPE 230BR-01 CKPT TABLE 3/4" PRL
 1157577 CLEAT, HDPE 240SD-99 AFT CKPT TABLE FILLR PRL
 1717385 COVER, SPEAKER EXT BACKING PANASONIC
 830794 CYLINDER, GAS 100PSI 20"EXT X 12"COMP
 1482108 FOAM, P/C 230BR-01 CIRCULAR SEAT CUSH SET
 1413764 FOAM, P/C 230BR-01 CONV BILGE
 1482140 FOAM, P/C 230BR-01 SUNPAD CUSH SET

2 BUCKET SEATS / SUNPAD / CIRCULAR AFT SEAT (continued)

1745664 FOAM, P/C 240BR-03 AFT BLSTR SET W/CIRC SEAT
 1481522 FOAM, RING FLEX #36-2.95 57"
 1521160 HANDLE, GRAB PRL CUSTOM SR W/1/4" SS STUDS
 1588052 INSERT, BURL 230BR-02 CKPT P&S FWD SID/PNL
 773630 MESH, WHITE 54"
 872457 POST, TABLE LEG 12 7/8" ANOD TAPERED RIBBED
 929844 POST, TABLE LEG 26.875" ANOD FLUTED
 1434612 PVC BOARD, 1"X 4'X 8' WHT LOW DEN
 1579770 VINYL, GRANDE D FLAX EXP 1/4"F/B
 1579820 VINYL, GRANDE D PLATINUM EXP 1/4"F/B
 1579838 VINYL, GRANDE D PLATINUM EXP FLAT
 1600253 VINYL, SEABROOK D PLATINUM EXP 1/4"F/B

CANADIAN CONFORMITY STICKER

1741216 LABEL, STICKER 240BR CANADIAN CONFORMITYB

PREMIER STEREO UPGRADE-AMPLIFIER/SUBWOOFER

736629 CABLE, RCA AUDIO 6' W/EFX-2 CONN
 1689585 HARNESS, 230ES-02 STEREO AMP
 1734509 SPEAKER, 10" SUBWOOFER CM2503
 1598853 STEREO, AMP CLARION APX400 4M

GALVANIZED TRAILER W/ SECOND AXLE BRAKES

557991 TIE DOWN, TRAILER STRAP 2" X 37" W/JAY HOOK
 1689978 TRAILER, 230BR-02 GALV W/DISC BRAKES

WATER SPORTS TOWER W/ INTEGRAL BIMINI TOP

1684174 BRACKET, ALUM 230BR-02 WTR SPRTS TWR
 1635549 CANVAS, 200/220/230-02 BIM TOP W/TWR PTY
 1635515 CANVAS, 200/220/230-02 BIMTOP BOOT W/TWR PTY
 1666304 TOWER, 240SEL-04 ALUM WTR SPRTS

PREMIUM TRAILER W/ SECOND AXLE BRAKES

557991 TIE DOWN, TRAILER STRAP 2" X 37" W/JAY HOOK
 1689913 TRAILER, 230BR-02 TNDM PNTD W/BRKS BLK UPGR