

2004 240SD

PARTS MANUAL

240

SUNDECK®



Sea Ray® Parts Manual, 2004 240 SUNDECK MRP # 1770144

Sea Ray Boats, 2600 Sea Ray Blvd., Knoxville, TN 37914. For information call 1-800-SRBOATS or fax 1-314-213-7878 (USA and International).

Internet address: <http://www.searay.com>

Note: Not all accessories shown in pictures or described herein are standard equipment or even available as options.

Options and features are subject to change without notice.

Confirm the availability of all accessories and equipment with an authorized Sea Ray® dealer.

2004 240 SUNDECK

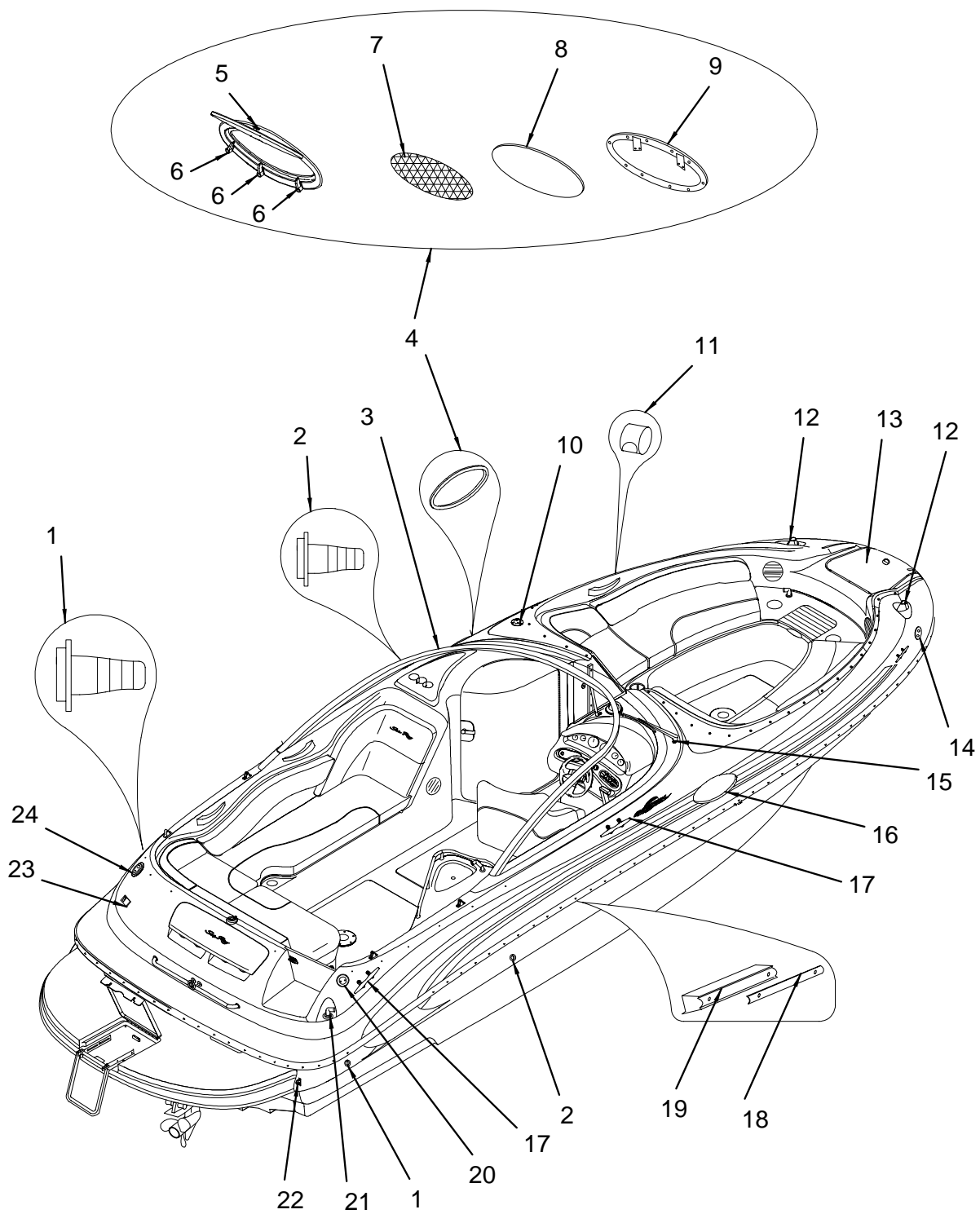
TABLE OF CONTENTS



<u>STANDARD & OPTIONAL LAYOUTS</u>	<u>PAGE</u>
EXTERIOR (HULL AND DECK)	1, 2
EXTERIOR (FORWARD VIEW)	3
EXTERIOR (TRANSOM)	4, 5
EXTERIOR (GRAPHICS) PEARL/PLATINUM/BLACK	6
EXTERIOR (GRAPHICS) PEARL/PLATINUM/BLUE	7
EXTERIOR (GRAPHICS) PEARL/PLATINUM/GREEN	8
EXTERIOR (GRAPHICS) PEARL/PLATINUM/YELLOW	9
EXTERIOR (GRAPHICS) PEARL/PLATINUM/RED	10
CANVAS (CHARCOAL)	11, 12
CANVAS (BLUE)	13, 14
CANVAS (GREEN)	15, 16
CANVAS (BLACK)	17, 18
CANVAS (RED)	19, 20
COCKPIT (FORWARD PORT VIEW)	21, 22
COCKPIT (STARBOARD VIEW)	23, 24
MULTI-INFO PACKET	25
COCKPIT (AFT PORT VIEW)	26, 27
COCKPIT (HELM)	28, 29
COCKPIT (SNAP-IN CARPET LINER)	30
INSTRUMENT PANEL	31
SWITCH PANEL	32
POWER TRIM AND TRIM TAB SWITCH PANEL	33
HEAD	34, 35
COCKPIT (UPHOLSTERY)	36, 37
BILGE	38, 39
STEERING SYSTEM	40, 41
FUEL SYSTEM	42
WATER SYSTEM	43, 44
SEWAGE SYSTEM (PUMP-OUT HEAD OPTION)	45
DRAINAGE SYSTEM	46, 47

<u>OPTIONS - PARTS LIST</u>	<u>PAGE</u>
350 MAG MPI BR 3 (300 PHP) MCM STERN DR.	48
MX 6.2 MPI BR 3 (320 PHP) MCM STERN DRIVE	48
5.0L MPI BR 3 (260 PHP) MCM STERN DRIVE	48
TWO BUCKET SEATS W/ SUN LOUNGER SEATING PKG.	48
2ND STEREO REMOTE CONTROL -TRANSOM	48
PREMIER STEREO UPGRADE W/ AMP & SUBWOOFER	48
WAKE BOARD RACKS (MUST ORDER SPORTS TOWER)	48
22" BRAVO 3 SET (2 COUNTER ROTATING PROPS)	48
24" BRAVO 3 SET (2 COUNTER ROTATING PROPS)	48
26" BRAVO 3 SET (2 COUNTER ROTATING PROPS)	48
PUMP-OUT HEAD	48
VACUUM FLUSH HEAD W/HOLDING TANK	48
TWO TONE GELCOAT GRAPHICS	48
SIRIUS SATELLITE RADIO	48
BATTERY ON / OFF SWITCH	48
WATER SPORTS TOWER W/ STD BIMINI TOP	48
FIRE SUPPRESSION SYSTEM - AUTOMATIC	48
BATTERY SWITCH-DUAL W/ 2ND TRAY SINGLE ENG.	48
COCKPIT COVER W/ TONNEAU COVER	48
BIMINI CANVAS PACKAGE	48
TRANSOM TRIM SWITCH	48
C E OPTION GROUP	48
C E FIRE SYSTEM - EUROPEAN DEALERS ONLY	49
2.43 TO 1 BRAVO 3 HIGH ALTITUDE GEAR RATIO	49
FORWARD BIMINI TOP & BOOT	49
OWNER ORIENTATION VIDEO - PAL FORMAT	49
FORWARD COCKPIT TABLE	49
BOW FILLER CUSHION	49
CANADIAN CONFORMITY STICKER	49
BLACK CANVAS OPTION	49

EXTERIOR (HULL AND DECK)



EXTERIOR (HULL AND DECK)

- 1 1098417 THRU-HULL, PLAS 1 1/8" PRL
(ABOVE # BILGE PUMP AND DECK DRAINS)
- 1687508 THRU-HULL, SS 1 1/8" X 1 1/8" BARB
- 1524644 GASKET, THRU-HULL 1 29/32" OD
- 2 1098425 THRU-HULL, PLAS 5/8" PEARL
(ABOVE # ENTERTAINMENT CTR & HEAD SINKS)
- 1688448 THRU-HULL, SS 1 1/8" X 5/8" BARB
- 1524677 GASKET, THRU HULL 1 29/64" OD
- 3 1361641 W/S, 240SD-00 CMLPT W/O SUPPORTS
- 1364363 W/S, 240SD-00 STBD FRONT
- 1364348 W/S, 240SD-00 PORT FRONT
- 1364371 W/S, 240SD-00 CENTER
- 1364439 W/S, 240SD-00 HDWR KIT
- 1364413 W/S, 240SD-00 SCREW CVR
- 1772058 240SD 04, STRAP, W/S HOLDDOWN
- 1320001 SUPPORT, W/S 240SD-00 PORT
(NOTE: NOT A TAYLOR PART; ORDER FROM SEA RAY)
- 1320027 SUPPORT, W/S 240SD-00 STBD
(NOTE: NOT A TAYLOR PART; ORDER FROM SEA RAY)
- 1656511 BUMPER, BLACK ROUND RBR W/WSHR
- 1424373 W/S, VINYL SCREW COVER TAPE
- 1424415 W/S, ALUM J-TRIM W/SCREW COVER
(NOTE: ORDER W/S REPLACEMENT PARTS DIRECTLY FROM TAYLOR)
- 4 1453992 PORTLIGHT, OPENING ALL SS 3/8"-7/8" MOD REV1
- 5 866434 KNOB, PORTLIGHT KNOB ONLY (BOMAR)
- 6 1107044 PORTLIGHT, HANDLES QUICKDOGS (BOMAR)
- 7 1331313 PORTLIGHT, SCREEN 3/8" X 7/8"
- 1314459 PORTLIGHT, GASKET SATURATED FOAM
- 8 1331750 PORTLIGHT, LENS ONLY (BOMAR)
- 9 1513183 TRIM RING, PORTLIGHT 3/8" SS
- 10 1355585 DECK PLATE, WASTE CHR STRAIGHT NCK BLK CODE
- 1474790 DECK PLATE, CAP W/GASKET
- 1068592 KEY, DECK PLATE CAP
- 11 126888 VENT, FUEL/WATER TANK 5/8" X 3"
- 12 1414895 LIGHT, NAV SIDE SS HORZ 12V
- 1423946 BULB, REPL FOR #1414895 12V
- 13 1770026 240SD 04, HATCH, R/L FBRGLS
SEE EXTERIOR (FORWARD VIEW) FOR BREAKDOWN
- 14 1413475 HORN, DUAL BLK W/SPADE CONNECTORS SERIES 84
- 1401736 HORN, GRILL DUAL SS OVERLAY SERIES 84
- 15 1748562 WIPER MOTOR, 85 DEG (AM)
- 1748544 WIPER ARM, 11"-16" BLACK (AM)
- 1748538 WIPER BLADE, 14" FLEX BLACK (AM)
- 16 1740485 PORTLIGHT, FIXED SS-OUTER/WHT-INNER RV1
- 17 291658 CLEAT, 8" 4-BOLT SS
- 1473040 PLATE, BACKING UNIVERSAL 3/16"
- 18 1080100 INSERT, RUB RAIL SS 3/4" X 12' (.062/304SS)
- 19 1156207 RUBRAIL, PVC PEARL 20'(SS INSERT)
- 20 1109362 DECK PLATE, WATER CHR W/VENT BLUE CLR-CODE
- 1405844 DECK PLATE, CAP W/CHAIN WATER
- 1068592 KEY, DECK PLATE CAP
- 21 1597921 SHOWER, SPRAY NOZZLE W/8"SS HOSE HVY DUTY
- 1388743 HOLDER, PLAS SPRAYER PRL
- 1524644 GASKET, THRU-HULL 1 29/32" OD
- 22 126599 EYE, STERN 1/2" X 3 7/16" W/BACKING PLATE
- 1473040 PLATE, BACKING UNIVERSAL 3/16"
- 23 747261 SWITCH, TILT EXTERNAL MOUNT
(ABOVE # TRANSOM TRAILER TRIM SWITCH OPTION)
- 24 1109354 DECK PLATE, GAS CHR W/VENT 45DG NCK RED CODE
- 1213867 DECK PLATE, CAP W/CHAIN GAS (FOR #1109354)
- 1098615 DECK PLATE, GAS CHR W/VENT (SHIM ONLY)
- 1068592 KEY, DECK PLATE CAP

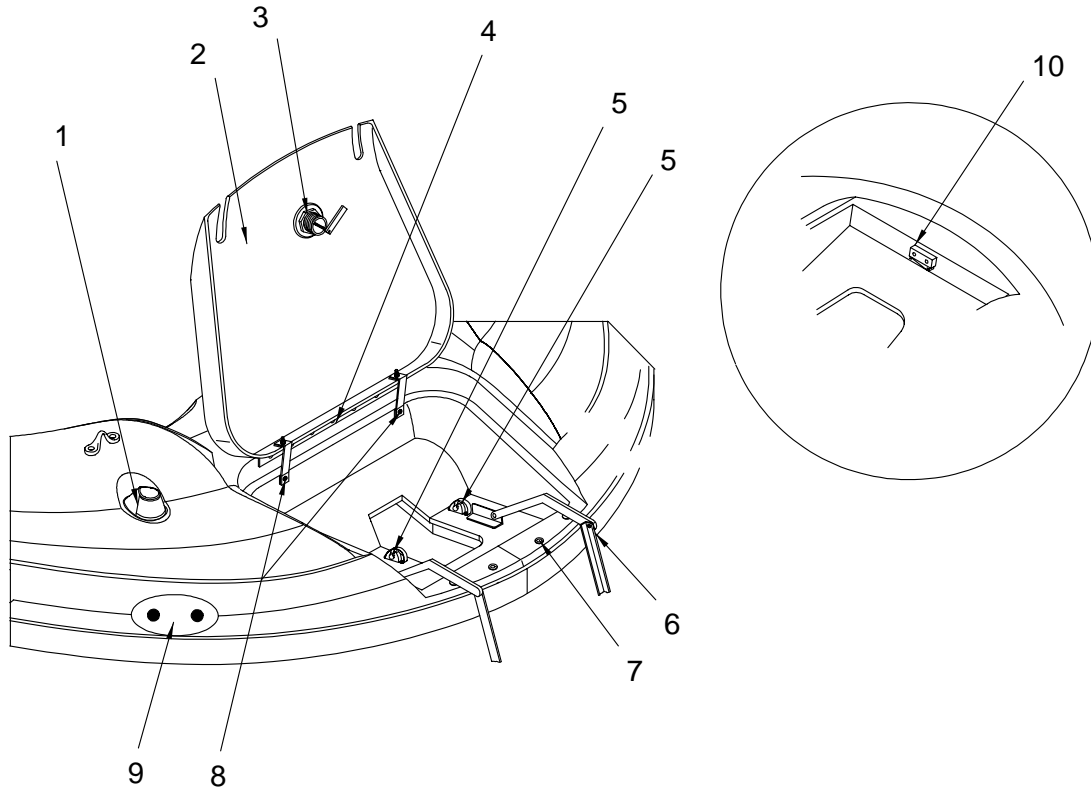
LABELS

- 1743534 LABEL, FRESH WATER (LEXAN)
- 1743571 LABEL, DANGER TRANSOM DOOR (LEXAN)
- 1745125 LABEL, SKI TOW ROPE BACKLASH
- 1745519 LABEL, DANGER SHUT OFF ENG WHEN NEAR SWIMMERS
- 1750454 DECAL, SEA RAY OWNERS CLUB (NBOA) RV
- 1750455 DECAL, STRUCTURAL WARRANTY SPRTBT
- 996199 LABEL, ABYC MEMBERSHIP

SPORTS TOWER

- 1747881 TOWER, 240SD-04 ALUM WTR SPRTS
- 1756513 TOWER, 240SD-04 WTR SPRTS HDWR KIT
- 1749928 SUPPORT, SR ALUM WAKEBOARD RACK ANODIZED

EXTERIOR (FORWARD VIEW)



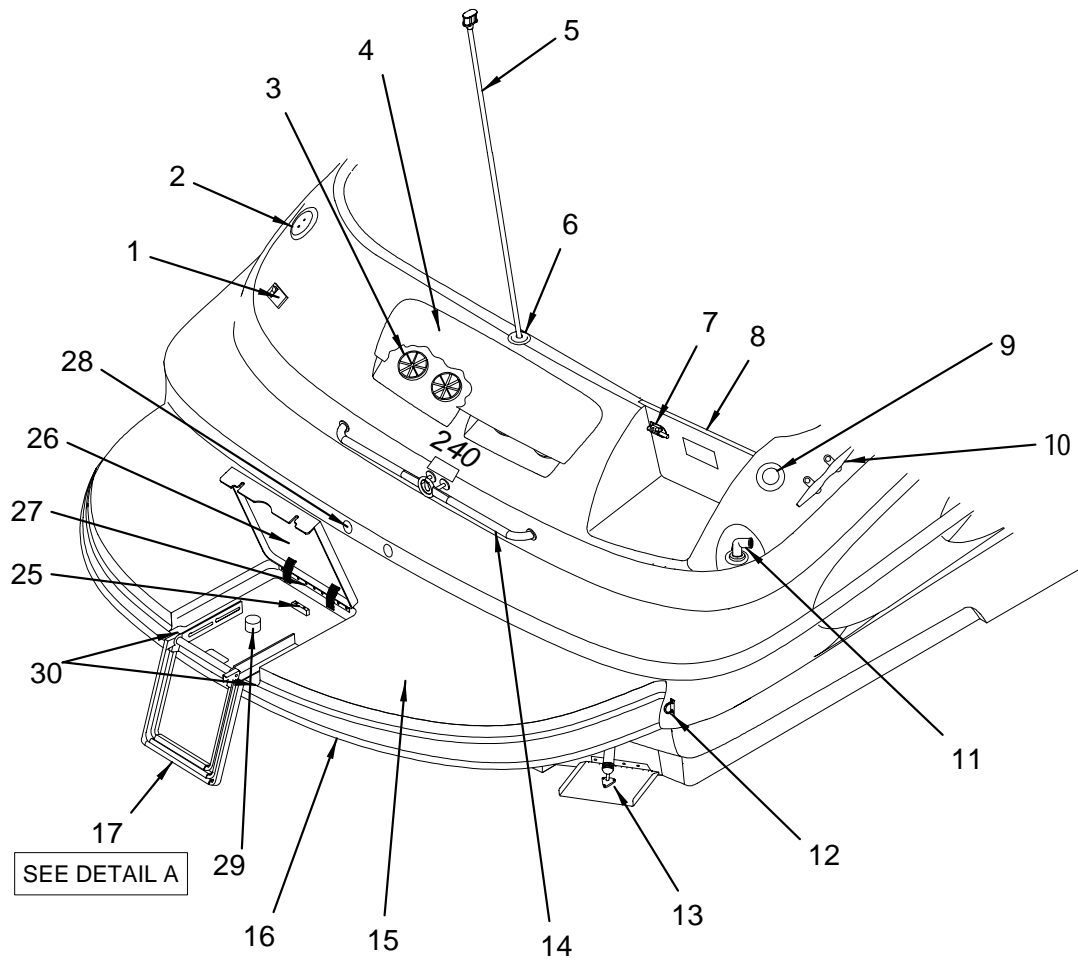
EXTERIOR (FORWARD VIEW)

NOT SHOWN LABELS

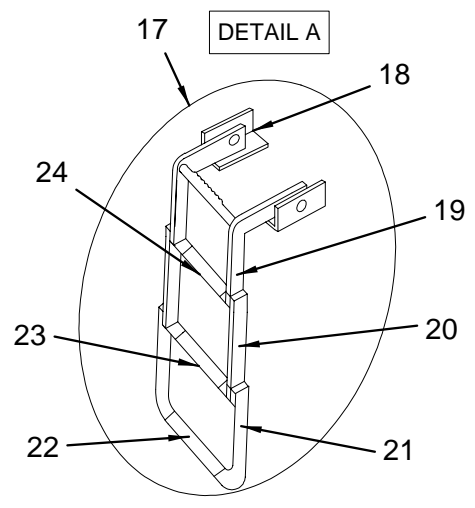
- 1 1414895 LIGHT, NAV SIDE SS HORZ 12V
- 1423946 BULB, REPL FOR #1414895 12V
- 2 1770026 240SD 04,HATCH,R/L FBRGLS
- 3 1365550 LATCH, FLUSH T-HNDL W/O LOCK BLK
- 4 1749855 HINGE, SS CONT 2"X 14.5" X 1/2" KNUC POLISHED
- 5 590646 CLIP, POLE STRG BLK - MAST LIGHT
- 6 1155282 LADDER, SWIM 3-STEP POCKET PRL NYLON COATING
- 1229350 LADDER, SWIM HDWR KIT FOR MRP #1155282/808782
- 1229343 LADDER, SWIM BLOCK NYLON STOP
- 1229335 LADDER, SWIM BRKT RH
- 1229384 LADDER, SWIM ARM RH
- 1229400 LADDER, SWIM UPR SECTION
- 1229418 LADDER, SWIM LWR SECTION
- 1229392 LADDER, SWIM STEP RIBBED "U"
- 1229376 LADDER, SWIM ARM LH
- 1229368 LADDER, SWIM BRKT LH
- 7 1763338 BUMPER, FWD LADDER HATCH PEARL
- 8 1772059 240SD 04,STRAP,ANCHOR HTCH
- 9 1413475 HORN, DUAL BLK W/SPADE CONNECTORS SERIES 84
- 1401736 HORN, GRILL DUAL SS OVERLAY SERIES 84
- 10 1223676 CLEAT, HDPE 190SDOB-99 ROPE LCKR PRL

- 1573112 LABEL, LADDER MAINTENANCE

EXTERIOR (TRANSOM)



SEE DETAIL A



EXTERIOR (TRANSOM)

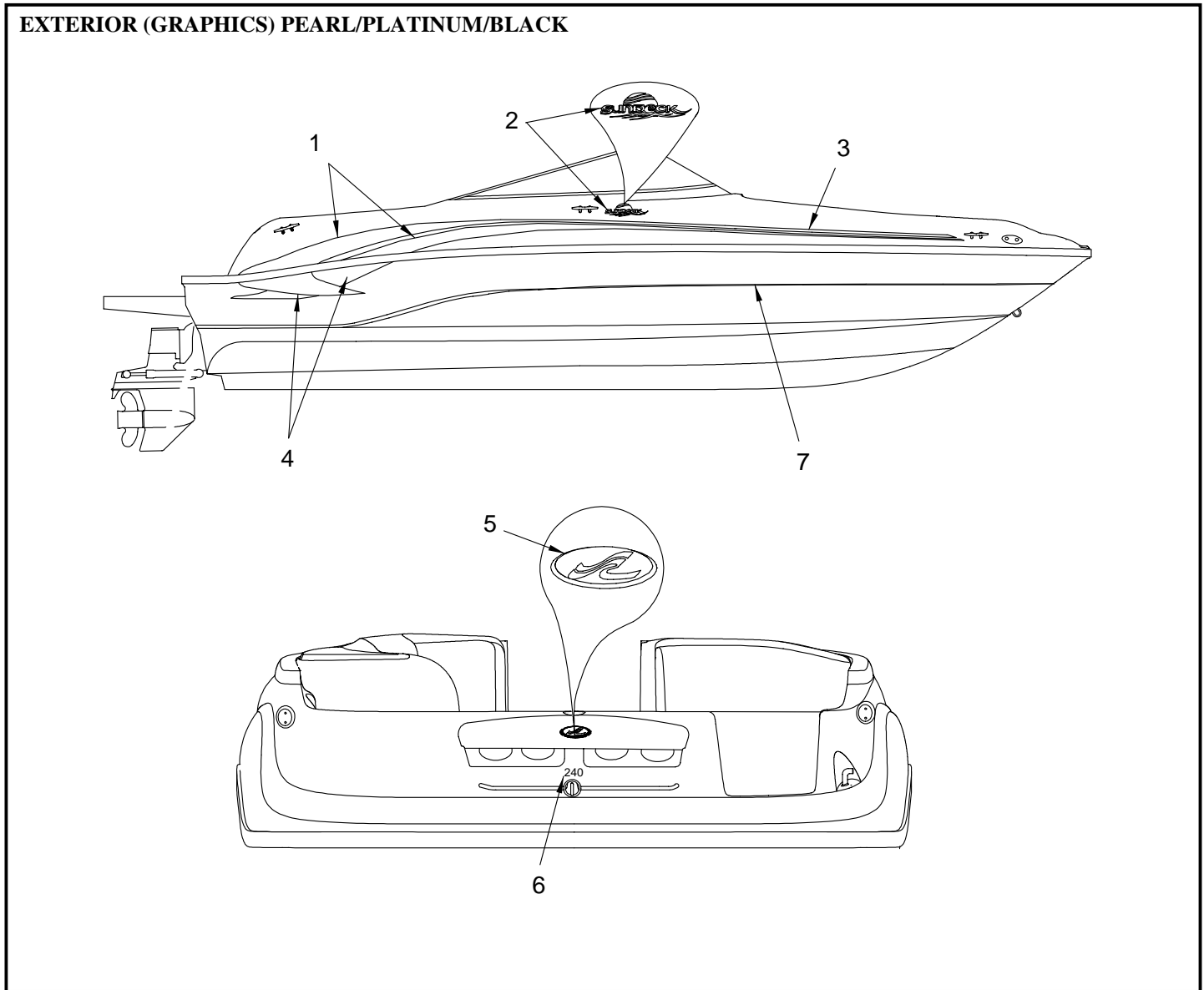
- 1 747261 SWITCH, TILT EXTERNAL MOUNT
(ABOVE # TRANSOM TRAILER TRIM SWITCH OPTION)
- 2 1109354 DECK PLATE, GAS CHR W/VENT 45DG NCK RED CODE
- 1098615 DECK PLATE, GAS CHR W/VENT (SHIM ONLY)
- 1068592 KEY, DECK PLATE CAP
- 1213867 DECK PLATE, CAP W/CHAIN GAS (FOR #1109354)
- 3 716159 VENT, PLAS GRILL 4" BLK
- 4 1333178 COVER, DR/ABS 240SD-00 BILGE VENT PRL
- 1745515 LABEL, WARNING DO NOT STAND/WALK THIS AREA
- 5 1078120 LIGHT, NAV A/R STERN 67" 7DEG RG
- 1205665 BULB, STERN NAV LIGHT REPL FOR #929042/#934083
- 1412469 LENS, STERN NAV LIGHT REPL FOR #1078120
- 929026 LIGHT, NAV A/R STERN 84" RG SLIP COLLAR
(ABOVE # USE W/FORWARD BIMINI TOP & BOOT OPTION)
- 6 815720 LIGHT, BASE ROUND NAV STERN LIGHT CHR W/CONN
- 7 1735577 LATCH, #78702 OMNI FLAT 3/4" N/LCK
- 8 1750262 DOOR, HDPE 240SD-03 TRNSM W/HNGE PRL W/OMNI
- 9 1405844 DECK PLATE, CAP W/CHAIN WATER
- 1068592 KEY, DECK PLATE CAP
- 10 291658 CLEAT, 8" 4-BOLT SS
- 1473040 PLATE, BACKING UNIVERSAL 3/16"
- 11 1597921 SHOWER, SPRAY NOZZLE W/8"SS HOSE HVY DUTY
- 1388743 HOLDER, PLAS SPRAYER PRL
- 1524644 GASKET, THRU-HULL 1 29/32" OD
- 12 126599 EYE, STERN 1/2"X 3 7/16" W/BACKING PLATE
- 1473040 PLATE, BACKING UNIVERSAL 3/16"
- 13 1292051 TRIM TAB, ASSY 10X12 PARA W/HDWR/FLUID/P/CACT
(SEE STEERING SYSTEM FOR BREAKDOWN)
- 14 1747837 RAIL, STERN W/SKI TOW POLISHED 316L
- 1473040 PLATE, BACKING UNIVERSAL 3/16"
- 15 1770058 240SD 04, SWMPLTFM, FBRGLS
- 16 1156348 TRIM, EDGE PEARL MOTOR BOX LARGE
- 17 1760128 SHIM, PVC LADDER HATCH CATCH 3/4" WHT
- 1473750 LADDER, SWIM 3-STEP SS CONCEALED REV2 GUDGNS
- 1682293 LADDER, SWIM HDWR KIT FOR MRP #1473750
- 18 1685191 LADDER, SWIM SLIDING GUDGEON ASSY
- 19 1225770 LADDER, SWIM TOP "U"
- 20 1225762 LADDER, SWIM MID "U"
- 21 1225788 LADDER, SWIM BTM "U"
- 22 909325 LADDER, TREAD 12 7/8"
- 23 909317 LADDER, TREAD 11.75"
- 24 973446 LADDER, TREAD 10 3/8"
- 25 1291160 CLEAT, HDPE 3/4"X 1"X 4" PRL
- 26 1770027 240SD 04, HATCH, SWM LDR FBRGLS
- 27 1749855 HINGE, SS CONT 2"X 14.5" X 1/2" KNUC POLISHED
- 1760140 SHIM, PVC LADDER HATCH CATCH 1/2" WHT
- 28 1628858 BUMPER, WHITE ROUND W/#6 TRUSS HEAD
- 29 1118314 CATCH, RBR SUNPAD HOLD-DOWN
- 30 274373 BUMPER, CANOE CLIP MED WHT

LABELS

- 1743571 LABEL, DANGER TRANSOM DOOR (LEXAN)
(LOCATED ON TRANSOM DOOR)
- 1745125 LABEL, SKI TOW ROPE BACKLASH
(LOCATED ABOVE SKI RAIL)
- 1745513 LABEL, WARNING LEAKING FUEL
(LOCATED UNDER MOTORBOX)
- 1745519 LABEL, DANGER SHUT OFF ENG WHEN NEAR SWIMMERS
(LOCATED BESIDE LADDER ON SWIM PLATFORM)
- 1745157 LABEL, FUEL RECOMMENDATION
(LOCATED UNDER DECK FILL PLATE)
- 1745512 LABEL, STAY CLEAR OF MOVING PARTS
(LOCATED UNDER MOTORBOX)
- 1573112 LABEL, LADDER MAINTENANCE
(LOCATED ON LADDER HATCH)

STEREO

- 935080 CABLE, CLARION DUAL REMOTE "Y"
- 1312750 CABLE, CLARION REMOTE EXTENSION CABLE 24'
- 1755469 STEREO, REMOTE CNTRL W/DIG DSPLY FOR XMD3 BLK



EXTERIOR (GRAPHICS) PEARL/PLATINUM/BLACK

- 1 1632702 TAPE, APP 240SD-O2 GUNGRY/UMLTANT STB DECK
- 1632744 TAPE, APP 240SD-O2 GUNGRY/UMLTANT PRT DECK
- 2 1615681 TAPE, LOGO SUNDECK GUNGRY/UMLTANT
- 3 1632520 TAPE, D/C 240SD STRIPE GUNGRY/UMLTANT STB
- 1632561 TAPE, D/C 240SD STRIPE GUNGRY/UMLTANT PRT
- 4 1632629 TAPE, APP 240SD-O2 GUNGRY/UMLTANT STB HULL
- 1632660 TAPE, APP 240SD-O2 GUNGRY/UMLTANT PRT HULL
- 5 1443191 EMBLEM, S/R WAVE 5" OVAL CHR TRNSM
- 6 1523364 EMBLEM, MODEL DESG 240 PRO URETHANE BLK W/CHR

GELCOATS

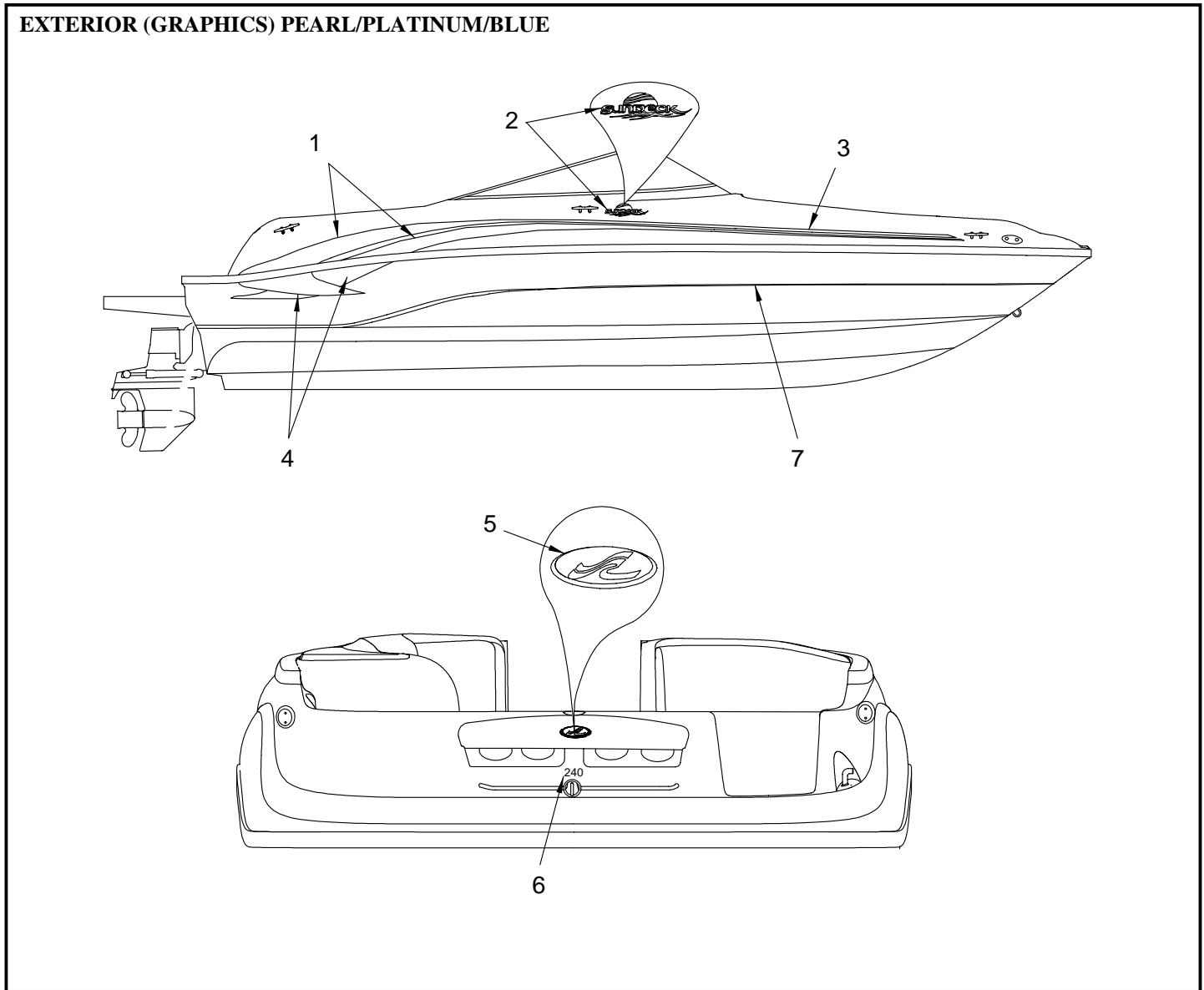
- 1558469 GEL COAT, MAXGUARD LE PEARL
- 1452861 GEL COAT, PEARL AIR-DRY (BILGE)
- 1690845 GEL COAT, JET BLK
(ABOVE # TWO-TONE GELCOAT OPTION)

MISCELLANEOUS

- 1684055 GRAPHICS KIT, 240SD-02 PLAT

TWO-TONE GELCOAT GRAPHICS OPTION

- 7 1597491 TAPE, SOLID 3/4" UM LT ANTELOPE



EXTERIOR (GRAPHICS) PEARL/PLATINUM/BLUE

- 1 1686875 TAPE, APP 240SD-O2 GLXYBL/UMLTANT STB DECK
- 1686877 TAPE, APP 240SD-O2 GLXYBL/UMLTANT PRT DECK
- 2 1686839 TAPE, LOGO SUNDECK GLXYBL/UMLTANT
- 3 1686867 TAPE, D/C 240SD STRIPE GLXYBL/UMLTANT STB
- 1686869 TAPE, D/C 240SD STRIPE GLXYBL/UMLTANT PRT
- 4 1686871 TAPE, APP 240SD-O2 GLXYBL/UMLTANT STB HULL
- 1686873 TAPE, APP 240SD-O2 GLXYBL/UMLTANT PRT HULL
- 5 1443191 EMBLEM, S/R WAVE 5" OVAL CHR TRNSM
- 6 1523364 EMBLEM, MODEL DESG 240 PRO URETHANE BLK W/CHR

GELCOATS

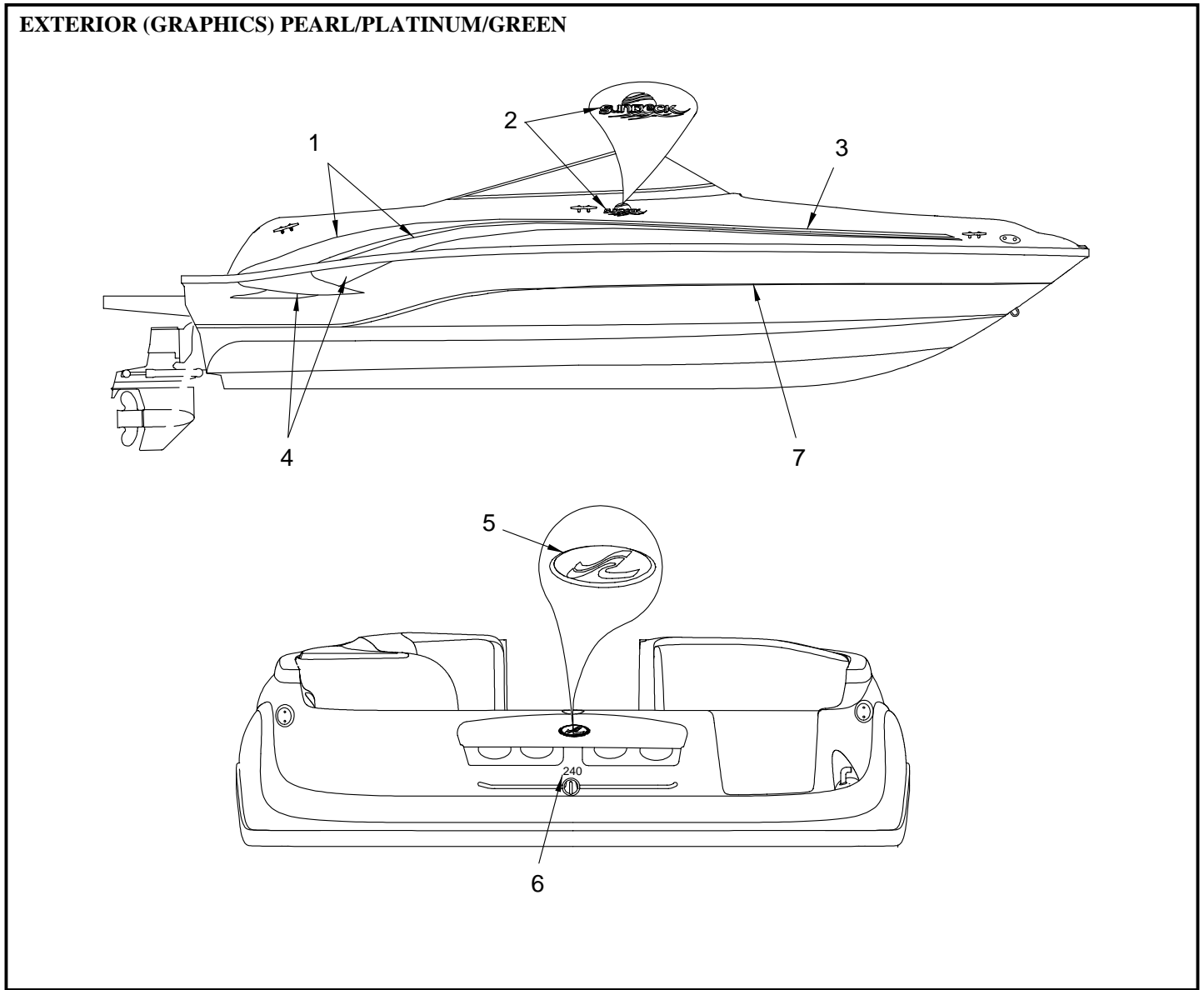
- 1558469 GEL COAT, MAXGUARD LE PEARL
- 1452861 GEL COAT, PEARL AIR-DRY (BILGE)
- 1310416 GEL COAT, GALAXY BLUE
(ABOVE # TWO-TONE GELCOAT OPTION)

MISCELLANEOUS

- 1689818 GRAPHICS KIT, 240SD-O2 UMLTANT/GLXYBL

TWO-TONE GELCOAT GRAPHICS OPTION

- 7 1597491 TAPE, SOLID 3/4" UM LT ANTELOPE



EXTERIOR (GRAPHICS) PEARL/PLATINUM/GREEN

- 1 1686876 TAPE, APP 240SD-O2 HNTRGR/UMLTANT STB DECK
- 1686878 TAPE, APP 240SD-O2 HNTRGR/UMLTANT PRT DECK
- 2 1686840 TAPE, LOGO SUNDECK HNTRGR/UMLTANT
- 3 1686868 TAPE, D/C 240SD STRIPE HNTRGR/UMLTANT STB
- 1686870 TAPE, D/C 240SD STRIPE HNTRGR/UMLTANT PRT
- 4 1686872 TAPE, APP 240SD-O2 HNTRGR/UMLTANT STB HULL
- 1686874 TAPE, APP 240SD-O2 HNTRGR/UMLTANT PRT HULL
- 5 1443191 EMBLEM, S/R WAVE 5" OVAL CHR TRNSM
- 6 1523364 EMBLEM, MODEL DESG 240 PRO URETHANE BLK W/CHR

GELCOATS

- 1558469 GEL COAT, MAXGUARD LE PEARL
- 1452861 GEL COAT, PEARL AIR-DRY (BILGE)
- 1310424 GEL COAT, HNTR GRN
(ABOVE # TWO-TONE GELCOAT OPTION)

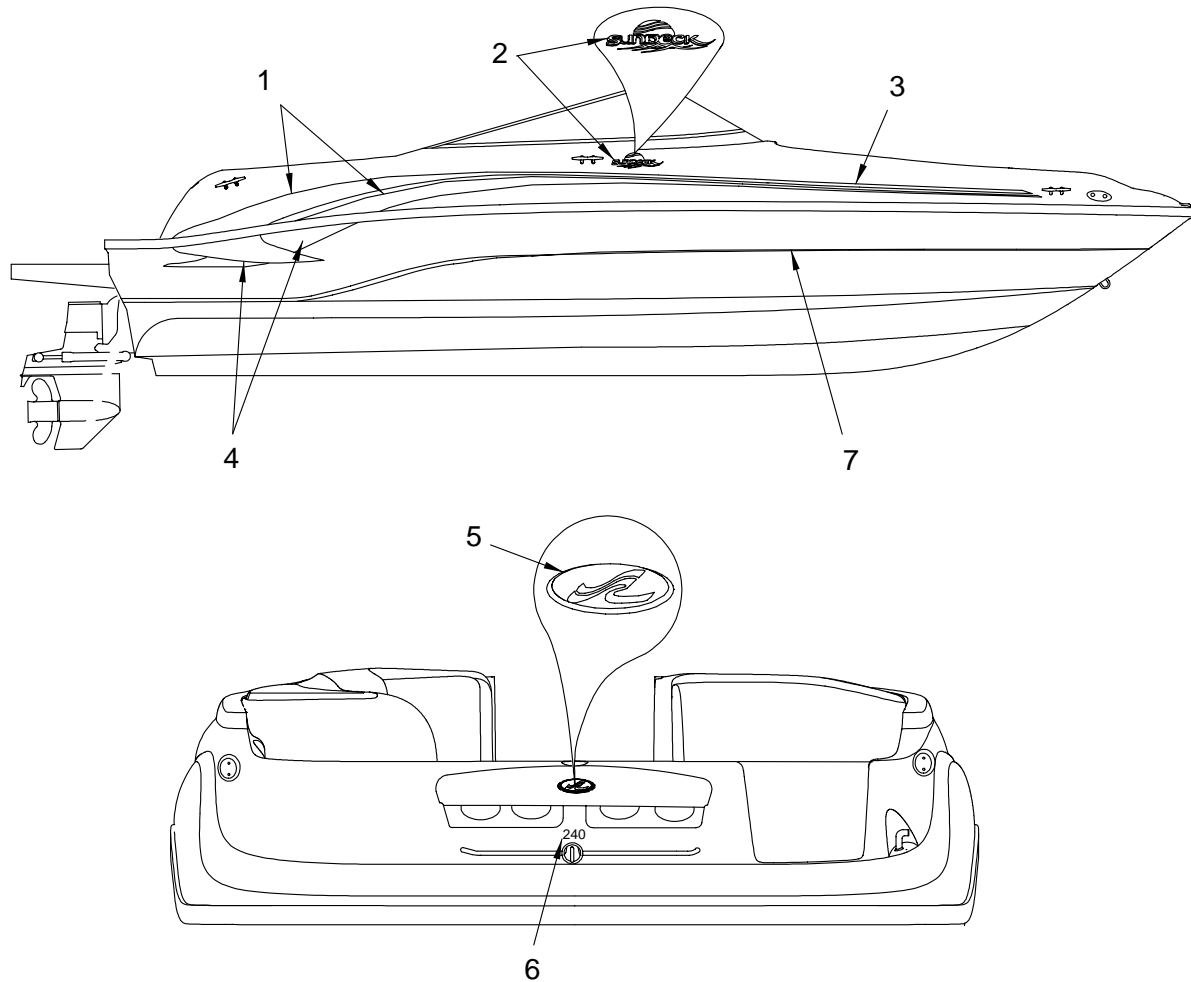
MISCELLANEOUS

- 1689819 GRAPHICS KIT, 240SD-O2 UMLTANT/HNTRGR

TWO-TONE GELCOAT GRAPHICS OPTION

- 7 1597491 TAPE, SOLID 3/4" UM LT ANTELOPE

EXTERIOR (GRAPHICS) PEARL/PLATINUM/YELLOW



EXTERIOR (GRAPHICS) PEARL/PLATINUM/YELLOW

- 1 1632702 TAPE, APP 240SD-O2 GUNGRY/UMLTANT STB DECK
- 1632744 TAPE, APP 240SD-O2 GUNGRY/UMLTANT PRT DECK
- 2 1615681 TAPE, LOGO SUNDECK GUNGRY/UMLTANT
- 3 1632520 TAPE, D/C 240SD STRIPE GUNGRY/UMLTANT STB
- 1632561 TAPE, D/C 240SD STRIPE GUNGRY/UMLTANT PRT
- 4 1632629 TAPE, APP 240SD-O2 GUNGRY/UMLTANT STB HULL
- 1632660 TAPE, APP 240SD-O2 GUNGRY/UMLTANT PRT HULL
- 5 1443191 EMBLEM, S/R WAVE 5" OVAL CHR TRNSM
- 6 1523364 EMBLEM, MODEL DESG 240 PRO URETHANE BLK W/CHR

GELCOATS

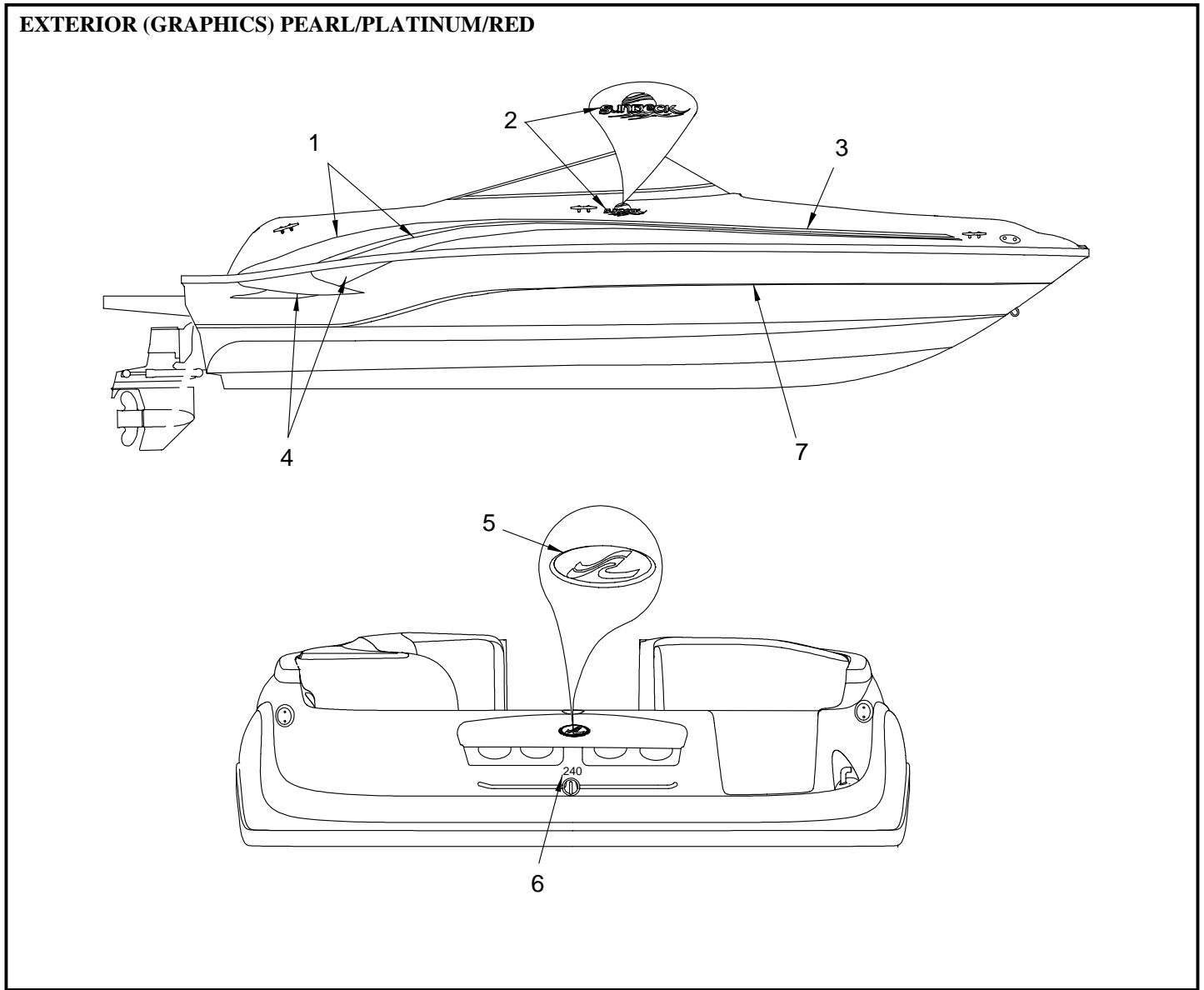
- 1558469 GEL COAT, MAXGUARD LE PEARL
- 1452861 GEL COAT, PEARL AIR-DRY (BILGE)
- 1690266 GEL COAT, YELLOW ARMORCOTE
(ABOVE # TWO-TONE GELCOAT OPTION)

MISCELLANEOUS

- 1684055 GRAPHICS KIT, 240SD-02 PLAT

TWO-TONE GELCOAT GRAPHICS OPTION

- 7 1597491 TAPE, SOLID 3/4" UM LT ANTELOPE



EXTERIOR (GRAPHICS) PEARL/PLATINUM/RED

- 1 1632702 TAPE, APP 240SD-O2 GUNGRY/UMLTANT STB DECK
- 1632744 TAPE, APP 240SD-O2 GUNGRY/UMLTANT PRT DECK
- 2 1615681 TAPE, LOGO SUNDECK GUNGRY/UMLTANT
- 3 1632520 TAPE, D/C 240SD STRIPE GUNGRY/UMLTANT STB
- 1632561 TAPE, D/C 240SD STRIPE GUNGRY/UMLTANT PRT
- 4 1632629 TAPE, APP 240SD-O2 GUNGRY/UMLTANT STB HULL
- 1632660 TAPE, APP 240SD-O2 GUNGRY/UMLTANT PRT HULL
- 5 1443191 EMBLEM, S/R WAVE 5" OVAL CHR TRNSM
- 6 1523364 EMBLEM, MODEL DESG 240 PRO URETHANE BLK W/CHR

GELCOATS

- 1558469 GEL COAT, MAXGUARD LE PEARL
- 1452861 GEL COAT, PEARL AIR-DRY (BILGE)
- 1690265 GEL COAT, RED ARMORCOTE
(ABOVE # TWO-TONE GELCOAT OPTION)

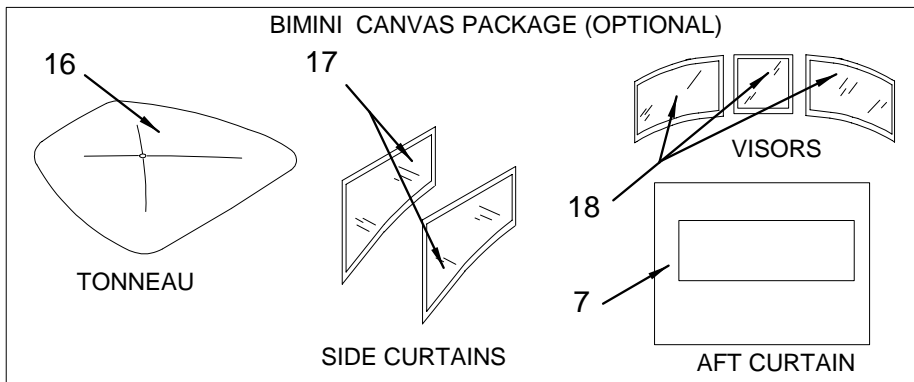
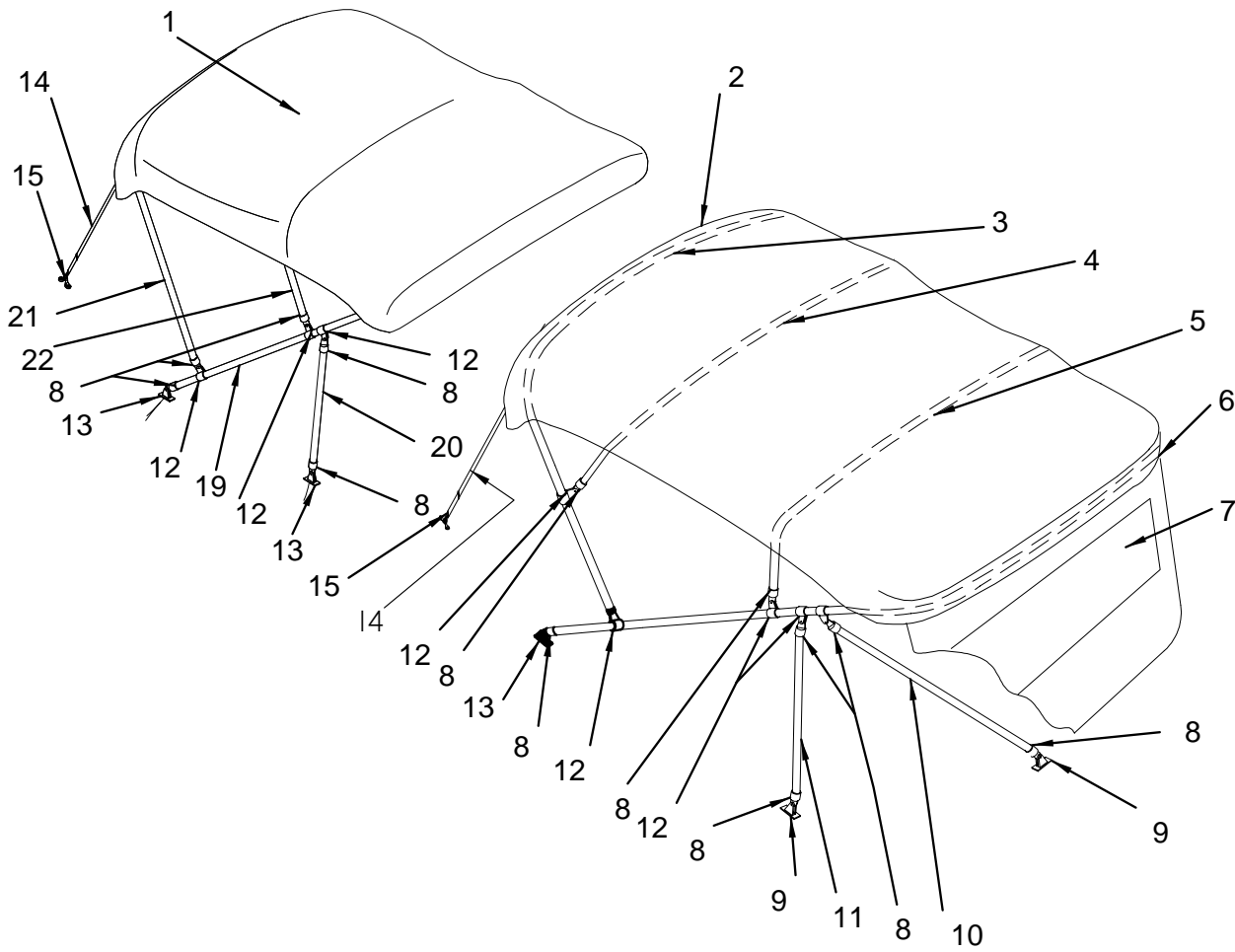
MISCELLANEOUS

- 1684055 GRAPHICS KIT, 240SD-02 PLAT

TWO-TONE GELCOAT GRAPHICS OPTION

- 7 1597491 TAPE, SOLID 3/4" UM LT ANTELOPE

CANVAS (CHARCOAL)



CANVAS (CHARCOAL)

- 1 1753419 CANVAS, 240SD-04 CAMP TOP CHARCOAL TWEED
- 1753420 CANVAS, 240SD-04 CAMP TOP BOOT W/EMB CHAR TW
- 2 1753395 CANVAS, 240SD-04 BIM TOP CHARCOAL TWEED
- 1753396 CANVAS, 240SD-04 BIM TOP BOOT W/EMB CHARCL TW
- 3 1770063 CANVAS, 240SD-04 BIM TOP BOW2 N/HDWR
- 4 1770065 CANVAS, 240SD-04 BIM TOP BOW4 N/HDWR
- 5 1770064 CANVAS, 240SD-04 BIM TOP BOW3 N/HDWR
- 6 1770062 CANVAS, 240SD-04 BIM TOP BOWS W/HDWR
- ABOVE#- BOW SET COMPLETE**
- 1770060 CANVAS, 240SD-04 BIM TOP MAIN BOW N/HDWR
- ABOVE#- MAIN BOW**
- 1770061 CANVAS, 240SD-04 BIM TOP HDWR MNT PKG
- ABOVE#- HARDWARE KIT**
- 7 1753413 CANVAS, 240SD-04 AFT CURT W/SNPS CHARCOAL TW
- 8 1760354 CAP, SS EYE END BALL/SOCKET TYPE
- 9 663393 HINGE, DECK, ANGLE W/PULL PIN HOLE
- 1760362 PIN, PULL BALL/SOCKET TYPE W/RING LNYRD SS
- 10 1770066 CANVAS, 240SD-04 BIM TOP SWAY POLE
- 11 1770067 CANVAS, 240SD-04 BIM TOP REAR STANCH 32.5"ADJ
- 12 439307 SLIDE, JAW SLIDE 7/8"
- 13 1760356 HINGE, DECK FLAT BALL/SOCKET TYPE SS
- 14 1364702 CANVAS, 240SD-00 BIM TOP FWD STRAP
- 15 148031 EYE, STRAP EYE TIE-DOWN
- 16 1753417 CANVAS, 240SD-04 TONNEAU CVR W/SNPS CHAR TW
- 1753422 CANVAS, 240SD-04 TONNEAU CVR W/CAMP/SNPS CHAR
- 17 1753412 CANVAS, 240SD-04 SIDE CURT SET W/SNPS CHAR TW
- 1770082 CANVAS, 240SD-04 SIDE CURT PRT CHAR
- 1770088 CANVAS, 240SD-04 SIDE CURT STB CHAR
- 18 1753411 CANVAS, 240SD-04 VISOR CURT 3PC CLR/CHAR TWD
- 1770093 CANVAS, 240SD-04 VISOR CURT PRT CLR/CHAR
- 1770133 CANVAS, 240SD-04 VISOR CURT STB CLR/CHAR
- 1770139 CANVAS, 240SD-04 VISOR CURT CTR CLR/CHAR
- 19 1772243 CANVAS, 240SD-04 CAMP TOP BOWS W/HDWR
- 1772244 CANVAS, 240SD-04 CAMP TOP MAIN BOW N/HDWR
- 1772245 CANVAS, 240SD-04 CAMP TOP HDWR MNT PKG
- 20 1772252 CANVAS, 240SD-04 CAMP TOP REAR SUPPORT POLE
- 21 1772246 CANVAS, 240SD-04 CAMP TOP BOW2 N/HDWR
- 22 1772250 CANVAS, 240SD-04 CAMP TOP BOW3 N/HDWR

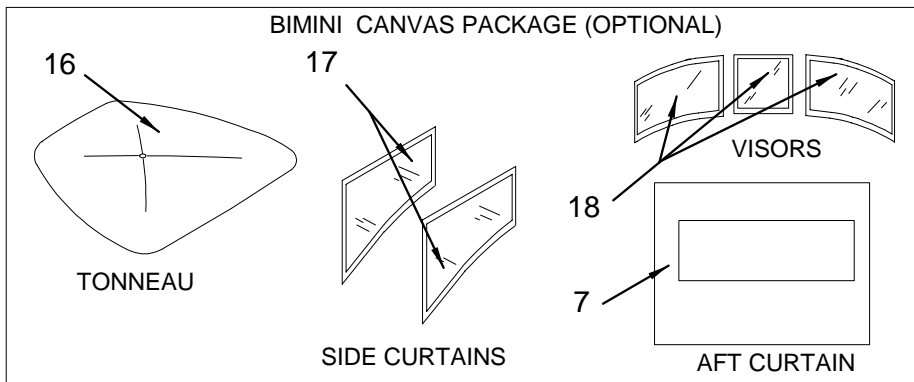
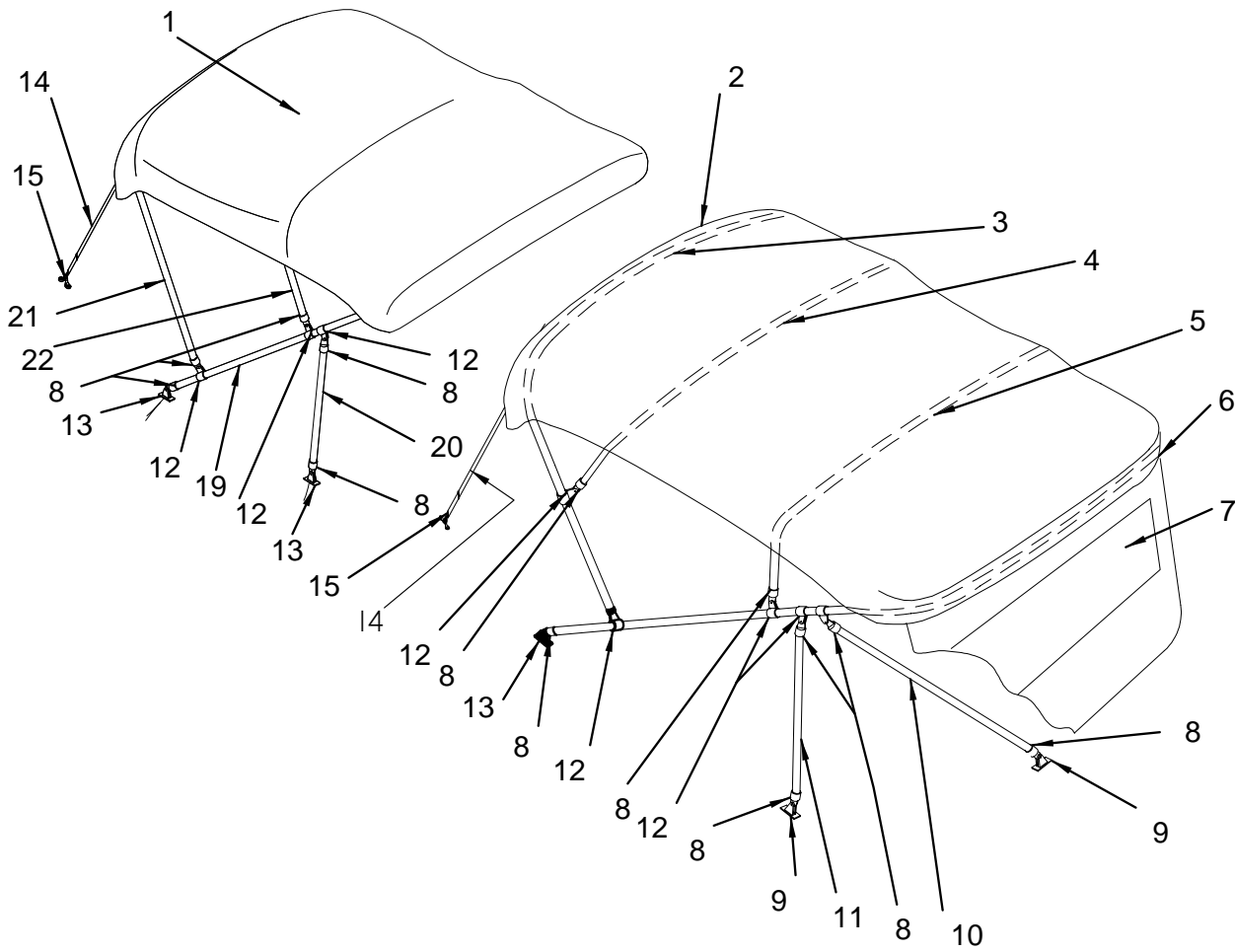
COCKPIT COVER

- 1753416 CANVAS, 240SD-04 CPC N/SNPS CHARCOAL TWEED
- 1753421 CANVAS, 240SD-04 BIM CPC W/SNPS CHARCOAL TW

STORAGE BAG

- 819524 CANVAS, STRG BAG 19.5X54 GREY 95
- 1092162 CANVAS, STRG BAG 12X38 CLOUDBRST TONNEAU/CKPT

CANVAS (BLUE)



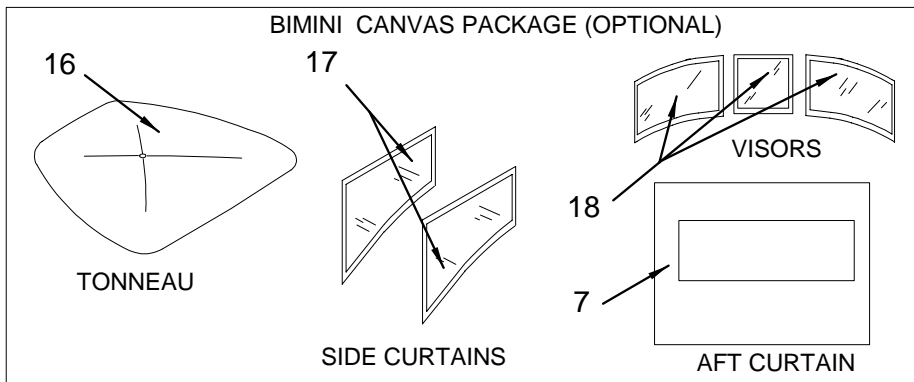
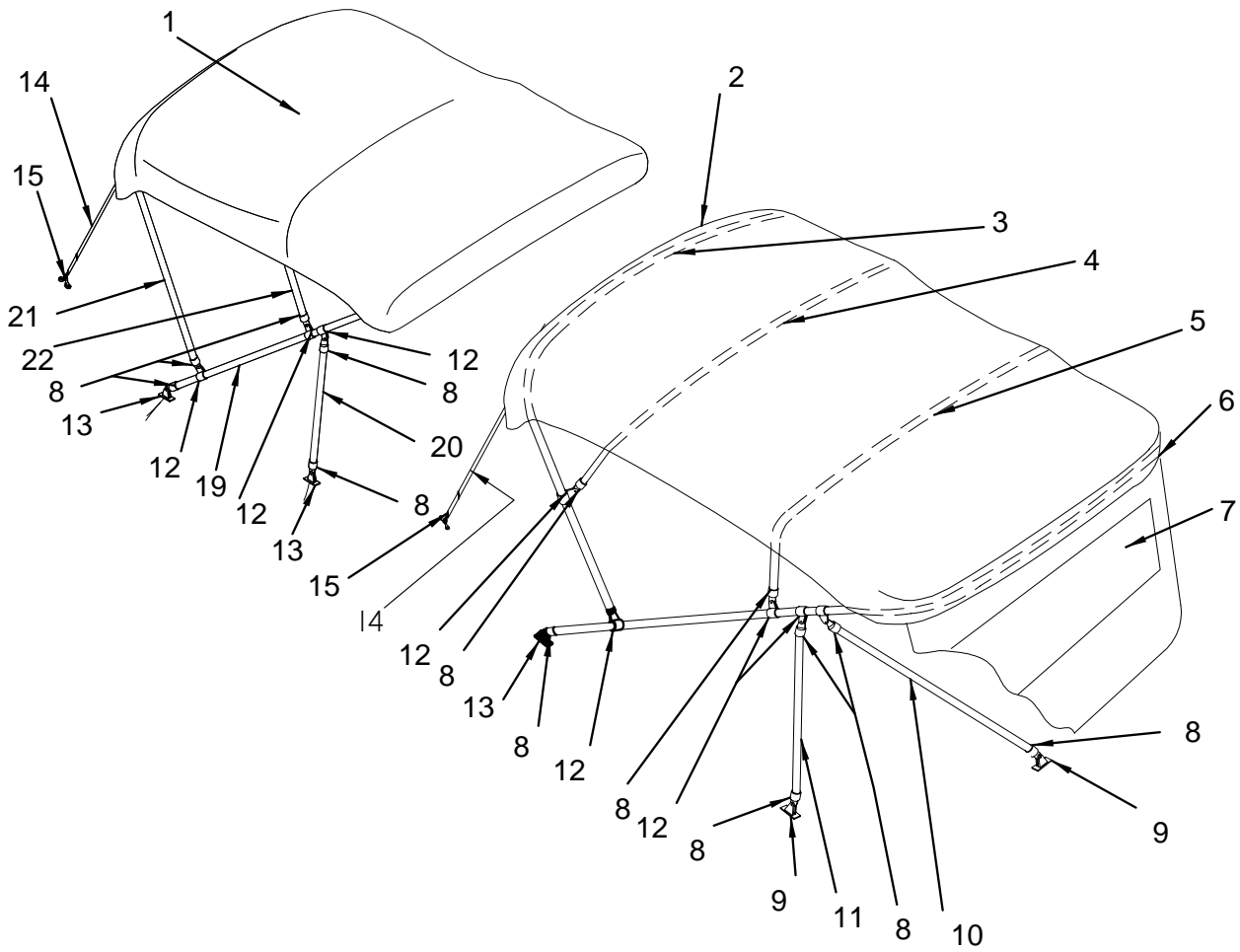
CANVAS (BLUE)

- 1 1755327 CANVAS, 240SD-04 CAMP TOP MEDB
- 1755329 CANVAS, 240SD-04 CAMP TOP BOOT MEDB
- 2 1755312 CANVAS, 240SD-04 BIM TOP MEDB
- 1755314 CANVAS, 240SD-04 BIM TOP BOOT EMB MEDB
- 3 1770063 CANVAS, 240SD-04 BIM TOP BOW2 N/HDWR
- 4 1770065 CANVAS, 240SD-04 BIM TOP BOW4 N/HDWR
- 5 1770064 CANVAS, 240SD-04 BIM TOP BOW3 N/HDWR
- 6 1770062 CANVAS, 240SD-04 BIM TOP BOWS W/HDWR
- ABOVE#- BOW SET COMPLETE**
- 1770060 CANVAS, 240SD-04 BIM TOP MAIN BOW N/HDWR
- ABOVE#- MAIN BOW**
- 1770061 CANVAS, 240SD-04 BIM TOP HDWR MNT PKG
- ABOVE#- HARDWARE KIT**
- 7 1755320 CANVAS, 240SD-04 AFT CURT W/SNPS MEDB
- 8 1760354 CAP, SS EYE END BALL/SOCKET TYPE
- 9 663393 HINGE, DECK, ANGLE W/PULL PIN HOLE
- 1760362 PIN, PULL BALL/SOCKET TYPE W/RING LNYRD SS
- 10 1770066 CANVAS, 240SD-04 BIM TOP SWAY POLE
- 11 1770067 CANVAS, 240SD-04 BIM TOP REAR STANCH 32.5"ADJ
- 12 439307 SLIDE, JAW SLIDE 7/8"
- 13 1760356 HINGE, DECK FLAT BALL/SOCKET TYPE SS
- 14 1364702 CANVAS, 240SD-00 BIM TOP FWD STRAP
- 15 148031 EYE, STRAP EYE TIE-DOWN
- 16 1755325 CANVAS, 240SD-04 TONNEAU CVR W/SNPS MEDB
- 1755366 CANVAS, 240SD-04 TONNEAU CVR W/CAMP/SNPS MEDB
- 17 1755318 CANVAS, 240SD-04 SIDE CURT SET W/SNPS MEDB
- 1770084 CANVAS, 240SD-04 SIDE CURT PRT MEDB
- 1770089 CANVAS, 240SD-04 SIDE CURT STB MEDB
- 18 1755316 CANVAS, 240SD-04 VISOR CLR/MEDB 3PC
- 1770094 CANVAS, 240SD-04 VISOR CURT PRT CLEAR/MEDB
- 1770134 CANVAS, 240SD-04 VISOR CURT STB CLR/MEDB
- 1770140 CANVAS, 240SD-04 VISOR CURT CTR CLR/MEDB
- 19 1772243 CANVAS, 240SD-04 CAMP TOP BOWS W/HDWR
- 1772244 CANVAS, 240SD-04 CAMP TOP MAIN BOW N/HDWR
- 1772245 CANVAS, 240SD-04 CAMP TOP HDWR MNT PKG
- 20 1772252 CANVAS, 240SD-04 CAMP TOP REAR SUPPORT POLE
- 21 1772246 CANVAS, 240SD-04 CAMP TOP BOW2 N/HDWR
- 22 1772250 CANVAS, 240SD-04 CAMP TOP BOW3 N/HDWR

COCKPIT COVER

- 1755323 CANVAS, 240SD-04 CPC N/SNPS MEDB
- 1755345 CANVAS, 240SD-04 CPC W/SNPS MEDB

CANVAS (GREEN)



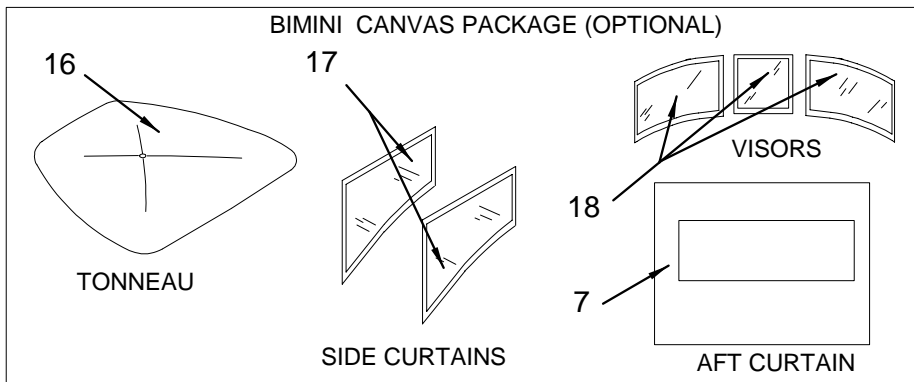
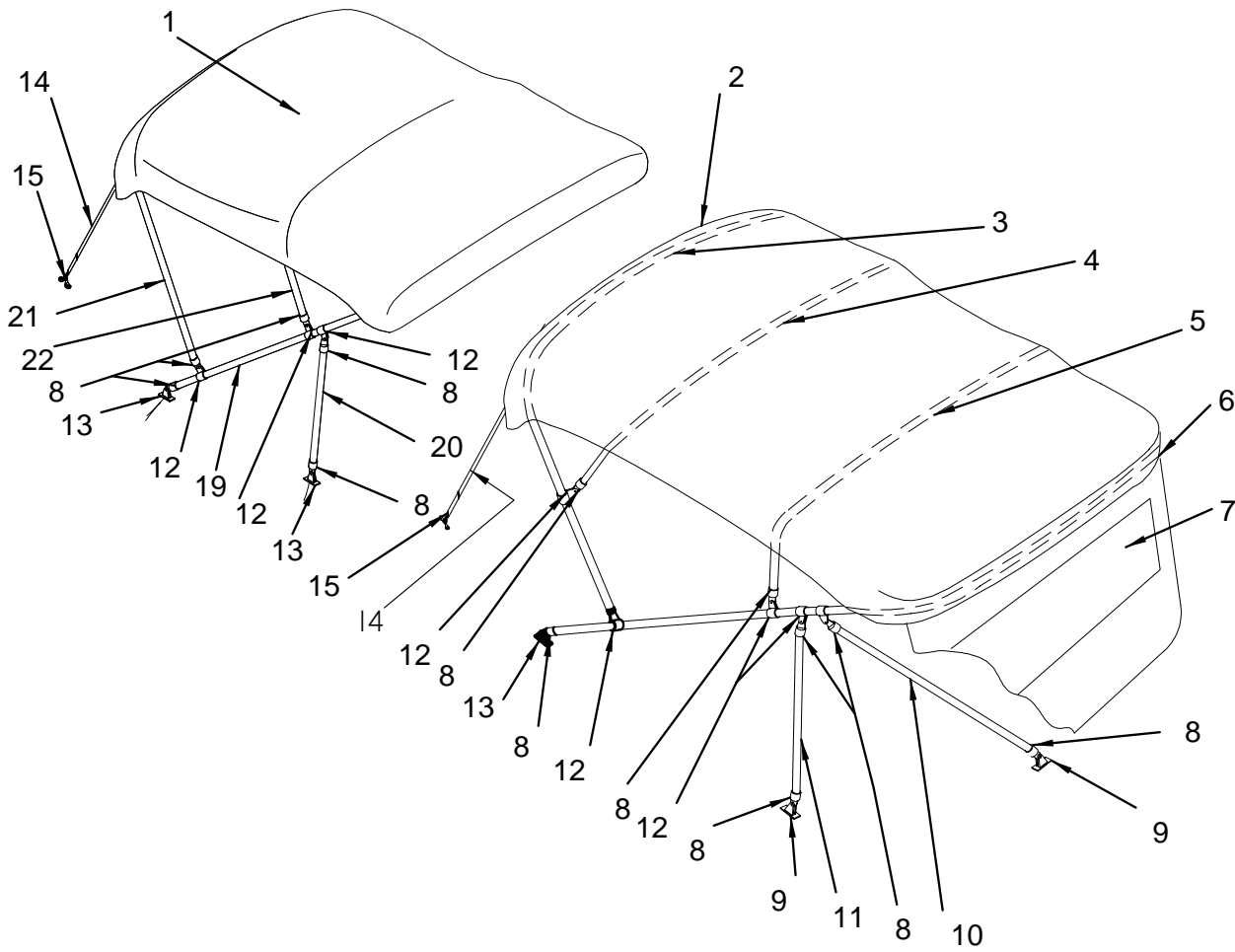
CANVAS (GREEN)

- 1 1755328 CANVAS, 240SD-04 CAMP TOP HNTR
- 1755344 CANVAS, 240SD-04 CAMP TOP BOOT HNTR
- 2 1755313 CANVAS, 240SD-04 BIM TOP HNTR
- 1755315 CANVAS, 240SD-04 BIM TOP BOOT EMB HNTR
- 3 1770063 CANVAS, 240SD-04 BIM TOP BOW2 N/HDWR
- 4 1770065 CANVAS, 240SD-04 BIM TOP BOW4 N/HDWR
- 5 1770064 CANVAS, 240SD-04 BIM TOP BOW3 N/HDWR
- 6 1770062 CANVAS, 240SD-04 BIM TOP BOWS W/HDWR
- ABOVE#- BOW SET COMPLETE**
- 1770060 CANVAS, 240SD-04 BIM TOP MAIN BOW N/HDWR
- ABOVE#- MAIN BOW**
- 1770061 CANVAS, 240SD-04 BIM TOP HDWR MNT PKG
- ABOVE#- HARDWARE KIT**
- 7 1755321 CANVAS, 240SD-04 AFT CURT W/SNPS HNTR
- 8 1760354 CAP, SS EYE END BALL/SOCKET TYPE
- 9 663393 HINGE, DECK, ANGLE W/PULL PIN HOLE
- 1760362 PIN, PULL BALL/SOCKET TYPE W/RING LNYRD SS
- 10 1770066 CANVAS, 240SD-04 BIM TOP SWAY POLE
- 11 1770067 CANVAS, 240SD-04 BIM TOP REAR STANCH 32.5"ADJ
- 12 439307 SLIDE, JAW SLIDE 7/8"
- 13 1760356 HINGE, DECK FLAT BALL/SOCKET TYPE SS
- 14 1364702 CANVAS, 240SD-00 BIM TOP FWD STRAP
- 15 148031 EYE, STRAP EYE TIE-DOWN
- 16 1755326 CANVAS, 240SD-04 TONNEAU CVR W/SNPS HNTR
- 1755367 CANVAS, 240SD-04 TONNEAU CVR W/CAMP/SNPS HNTR
- 17 1755319 CANVAS, 240SD-04 SIDE CURT SET W/SNPS HNTR
- 1770085 CANVAS, 240SD-04 SIDE CURT PRT HNTR
- 1770090 CANVAS, 240SD-04 SIDE CURT STB HNTR
- 18 1755317 CANVAS, 240SD-04 VISOR CLR/HNTR 3PC
- 1770095 CANVAS, 240SD-04 VISOR CURT PRT CLR/HNTR
- 1770135 CANVAS, 240SD-04 VISOR CURT STB CLR/HNTR
- 1770141 CANVAS, 240SD-04 VISOR CURT CTR CLR/HNTR
- 19 1772243 CANVAS, 240SD-04 CAMP TOP BOWS W/HDWR
- 1772244 CANVAS, 240SD-04 CAMP TOP MAIN BOW N/HDWR
- 1772245 CANVAS, 240SD-04 CAMP TOP HDWR MNT PKG
- 20 1772252 CANVAS, 240SD-04 CAMP TOP REAR SUPPORT POLE
- 21 1772246 CANVAS, 240SD-04 CAMP TOP BOW2 N/HDWR
- 22 1772250 CANVAS, 240SD-04 CAMP TOP BOW3 N/HDWR

COCKPIT COVER

- 1755324 CANVAS, 240SD-04 CPC N/SNPS HNTR
- 1755346 CANVAS, 240SD-04 CPC W/SNPS HNTR

CANVAS (BLACK)



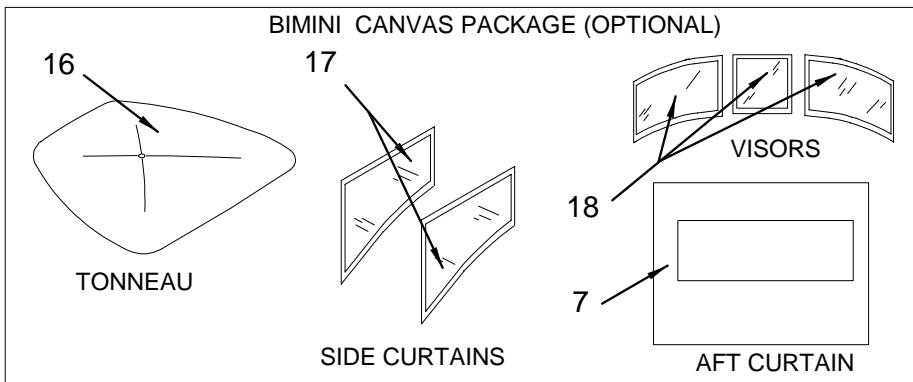
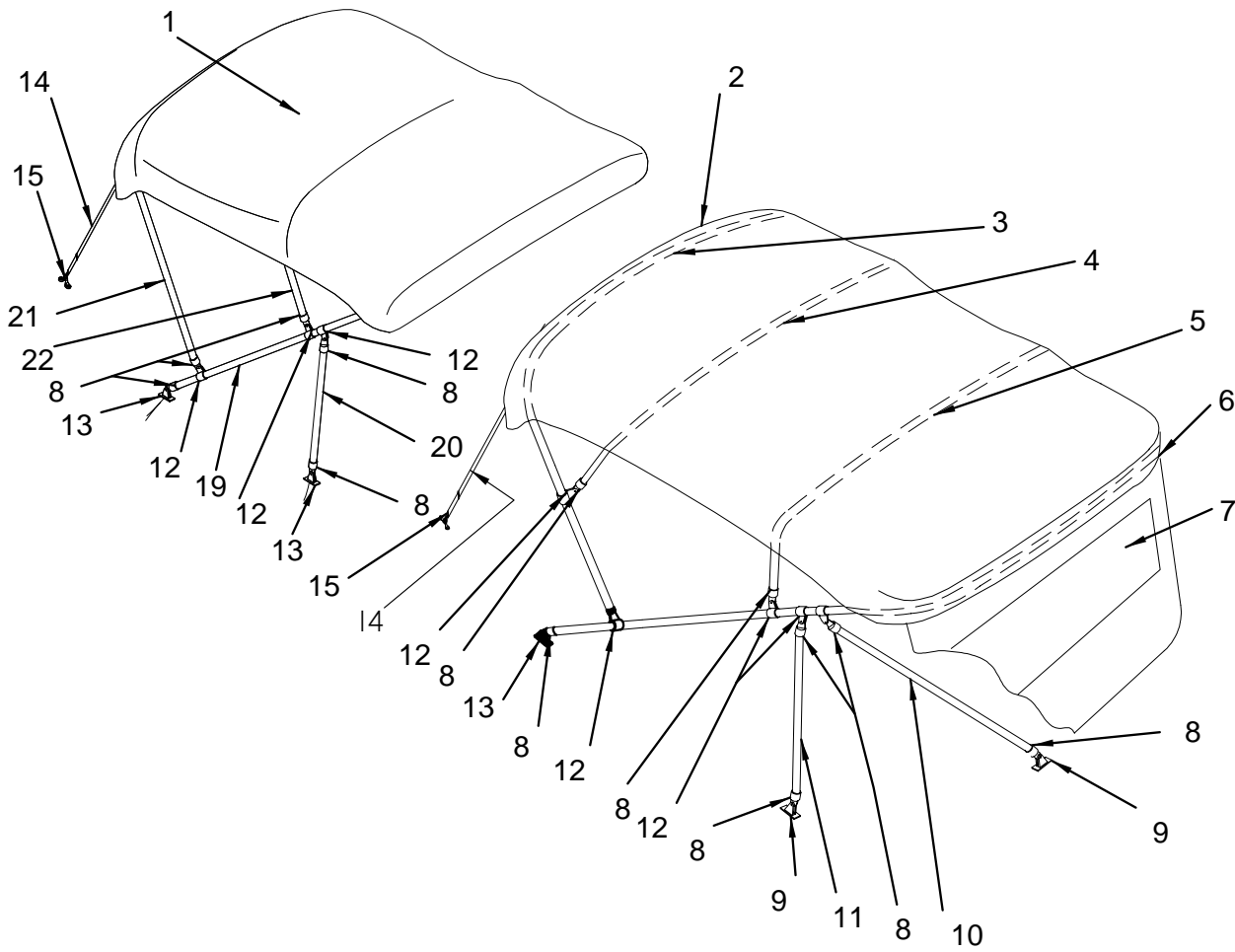
CANVAS (BLACK)

- 1 1759831 CANVAS, 240SD-04 CAMP TOP BLK
- 1759832 CANVAS, 240SD-04 CAMP TOP BOOT BLK
- 2 1759824 CANVAS, 240SD-04 BIM TOP BLK
- 1759825 CANVAS, 240SD-04 BIM TOP BOOT EMB BLK
- 3 1770063 CANVAS, 240SD-04 BIM TOP BOW2 N/HDWR
- 4 1770065 CANVAS, 240SD-04 BIM TOP BOW4 N/HDWR
- 5 1770064 CANVAS, 240SD-04 BIM TOP BOW3 N/HDWR
- 6 1770062 CANVAS, 240SD-04 BIM TOP BOWS W/HDWR
- ABOVE#- BOW SET COMPLETE**
- 1770060 CANVAS, 240SD-04 BIM TOP MAIN BOW N/HDWR
- ABOVE#- MAIN BOW**
- 1770061 CANVAS, 240SD-04 BIM TOP HDWR MNT PKG
- ABOVE#- HARDWARE KIT**
- 7 1759828 CANVAS, 240SD-04 AFT CURT W/SNPS BLK
- 8 1760354 CAP, SS EYE END BALL/SOCKET TYPE
- 9 663393 HINGE, DECK, ANGLE W/PULL PIN HOLE
- 1760362 PIN, PULL BALL/SOCKET TYPE W/RING LNYRD SS
- 10 1770066 CANVAS, 240SD-04 BIM TOP SWAY POLE
- 11 1770067 CANVAS, 240SD-04 BIM TOP REAR STANCH 32.5"ADJ
- 12 439307 SLIDE, JAW SLIDE 7/8"
- 13 1760356 HINGE, DECK FLAT BALL/SOCKET TYPE SS
- 14 1364702 CANVAS, 240SD-00 BIM TOP FWD STRAP
- 15 148031 EYE, STRAP EYE TIE-DOWN
- 16 1759830 CANVAS, 240SD-04 TONNEAU CVR W/SNPS BLK
- 1759834 CANVAS, 240SD-04 TONNEAU CVR W/CAMP/SNPS BLK
- 17 1759827 CANVAS, 240SD-04 SIDE CURT SET W/SNPS BLK
- 1770086 CANVAS, 240SD-04 SIDE CURT PRT BLK
- 1770091 CANVAS, 240SD-04 SIDE CURT STB BLK
- 18 1759826 CANVAS, 240SD-04 VISOR CLR/BLK 3PC
- 1770096 CANVAS, 240SD-04 VISOR CURT PRT CLR/BLK
- 1770136 CANVAS, 240SD-04 VISOR CURT STB CLR/BLK
- 1770142 CANVAS, 240SD-04 VISOR CURT CTR CLR/BLK
- 19 1772243 CANVAS, 240SD-04 CAMP TOP BOWS W/HDWR
- 1772244 CANVAS, 240SD-04 CAMP TOP MAIN BOW N/HDWR
- 1772245 CANVAS, 240SD-04 CAMP TOP HDWR MNT PKG
- 20 1772252 CANVAS, 240SD-04 CAMP TOP REAR SUPPORT POLE
- 21 1772246 CANVAS, 240SD-04 CAMP TOP BOW2 N/HDWR
- 22 1772250 CANVAS, 240SD-04 CAMP TOP BOW3 N/HDWR

COCKPIT COVER

- 1759829 CANVAS, 240SD-04 CPC N/SNPS BLK
- 1759833 CANVAS, 240SD-04 CPC W/SNPS BLK

CANVAS (RED)



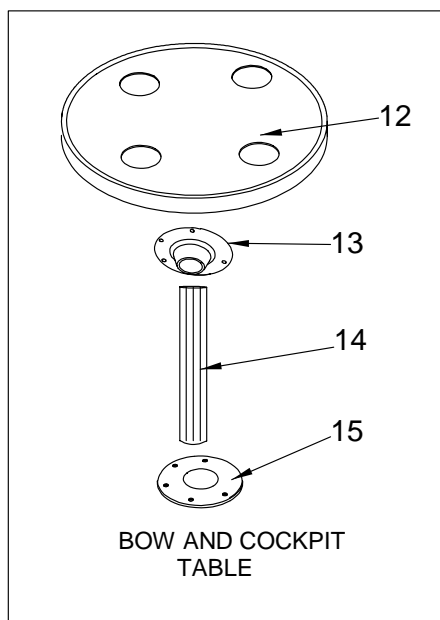
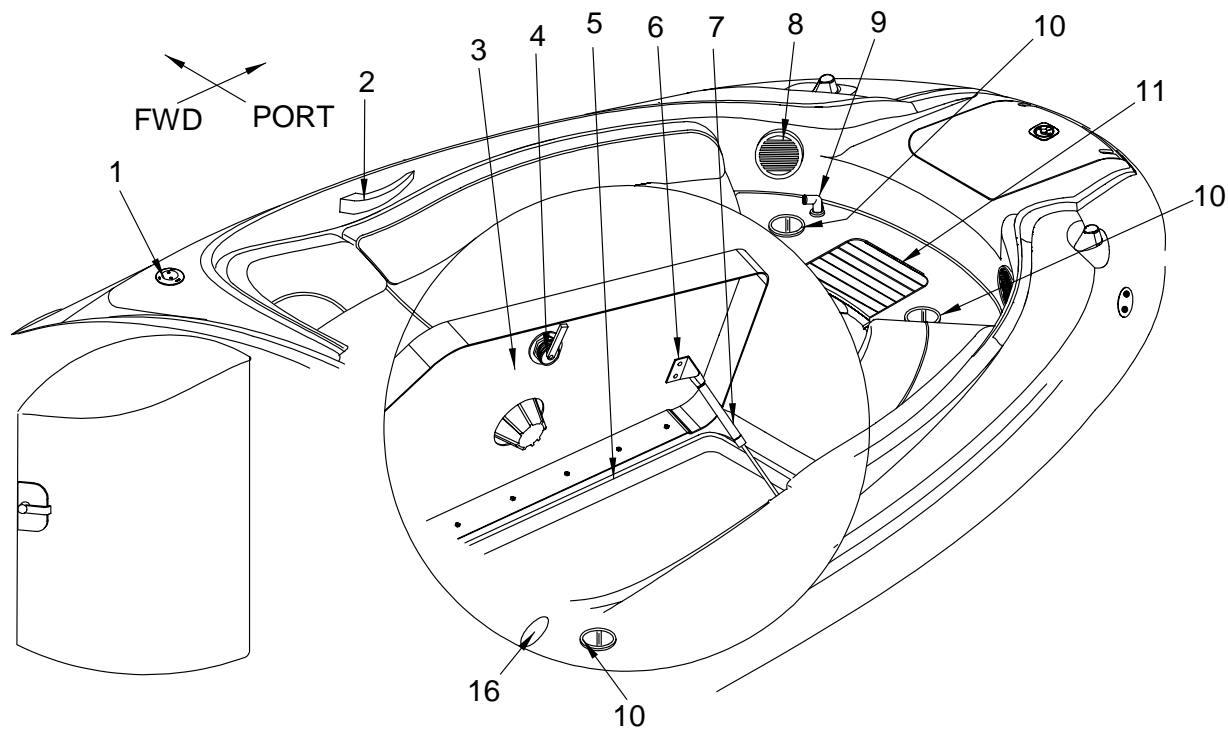
CANVAS (RED)

- 1 1753500 CANVAS, 240SD-04 CAMP TOP RED
- 1753501 CANVAS, 240SD-04 CAMP TOP BOOT W/EMB RED
- 2 1753491 CANVAS, 240SD-04 BIM TOP RED
- 1753492 CANVAS, 240SD-04 BIM TOP BOOT W/EMB RED
- 3 1770063 CANVAS, 240SD-04 BIM TOP BOW2 N/HDWR
- 4 1770065 CANVAS, 240SD-04 BIM TOP BOW4 N/HDWR
- 5 1770064 CANVAS, 240SD-04 BIM TOP BOW3 N/HDWR
- 6 1770062 CANVAS, 240SD-04 BIM TOP BOWS W/HDWR
- ABOVE#- BOW SET COMPLETE**
- 1770060 CANVAS, 240SD-04 BIM TOP MAIN BOW N/HDWR
- ABOVE#- MAIN BOW**
- 1770061 CANVAS, 240SD-04 BIM TOP HDWR MNT PKG
- ABOVE#- HARDWARE KIT**
- 7 1753496 CANVAS, 240SD-04 AFT CURT W/SNPS RED
- 8 1760354 CAP, SS EYE END BALL/SOCKET TYPE
- 9 663393 HINGE, DECK, ANGLE W/PULL PIN HOLE
- 1760362 PIN, PULL BALL/SOCKET TYPE W/RING LNYRD SS
- 10 1770066 CANVAS, 240SD-04 BIM TOP SWAY POLE
- 11 1770067 CANVAS, 240SD-04 BIM TOP REAR STANCH 32.5"ADJ
- 12 439307 SLIDE, JAW SLIDE 7/8"
- 13 1760356 HINGE, DECK FLAT BALL/SOCKET TYPE SS
- 14 1364702 CANVAS, 240SD-00 BIM TOP FWD STRAP
- 15 148031 EYE, STRAP EYE TIE-DOWN
- 16 1753499 CANVAS, 240SD-04 TONNEAU CVR W/SNPS RED
- 1753503 CANVAS, 240SD-04 TONNEAU CVR W/CAMP/SNPS RED
- 17 1753494 CANVAS, 240SD-04 SIDE CURT SET W/SNPS RED
- 1770087 CANVAS, 240SD-04 SIDE CURT PRT RED
- 1770092 CANVAS, 240SD-04 SIDE CURT STB RED
- 18 1753493 CANVAS, 240SD-04 VISOR CURT 3PC CLR/RED
- 1770132 CANVAS, 240SD-04 VISOR CURT PRT CLR/RED
- 1770137 CANVAS, 240SD-04 VISOR CURT STB CLR/RED
- 1770143 CANVAS, 240SD-04 VISOR CURT CTR CLR/RED
- 19 1772243 CANVAS, 240SD-04 CAMP TOP BOWS W/HDWR
- 1772244 CANVAS, 240SD-04 CAMP TOP MAIN BOW N/HDWR
- 1772245 CANVAS, 240SD-04 CAMP TOP HDWR MNT PKG
- 20 1772252 CANVAS, 240SD-04 CAMP TOP REAR SUPPORT POLE
- 21 1772246 CANVAS, 240SD-04 CAMP TOP BOW2 N/HDWR
- 22 1772250 CANVAS, 240SD-04 CAMP TOP BOW3 N/HDWR

COCKPIT COVER

- 1753498 CANVAS, 240SD-04 CPC N/SNPS RED
- 1753502 CANVAS, 240SD-04 BIM CPC W/SNPS RED

COCKPIT (FORWARD PORT VIEW)



COCKPIT (FORWARD PORT VIEW)

- 1 1355585 DECK PLATE, WASTE CHR STRAIGHT NCK BLK CODE
- 1474790 DECK PLATE, CAP W/GASKET
- 1068592 KEY, DECK PLATE CAP
- 2 1521160 HANDLE, GRAB PRL CUSTOM SR W/1/4" SS STUDS
- 3 1770023 240SD 04,HATCH,BOW STRG FBRGLS
- 1334929 FLOORING, PVC MAT 240SD-00 BOW HATCH STRG WHT
- 1628858 BUMPER, WHITE ROUND W/#6 TRUSS HEAD
- 4 986943 LATCH, FLUSH D-RING W/O LOCK BLK W/3" SHFT/CAM
- 5 1110543 HINGE, SS CONT 2"X 24"
- 6 1107507 BRACKET, GAS CYL 105DEG W/10MM BALL
- 7 1258219 CYLINDER, GAS 40PSI 10"EXT X 7"COMP
- 770479 BRACKET, SS GAS CYL 90DEG 1" W/STUD
- 8 1690555 SPEAKER, COAXIAL 6.5" W/WHT CVR
- 1690558 GRILL, SPEAKER 6.5" ACOM WHT
- 9 1597921 SHOWER, SPRAY NOZZLE W/8"SS HOSE HVY DUTY
- 1388743 HOLDER, PLAS SPRAYER PRL
- 1524644 GASKET, THRU-HULL 1 29/32" OD
- 10 1156009 DRINKHOLDR, PLAS 4"X 3" MUG SZ PRL W/NPL
- 124347 HOSE, PVC CLEAR 3/8"
- 417998 CLAMP, HOSE #04M 1/4"-5/8" SS MINI
- 11 1656511 BUMPER, BLACK ROUND RBR W/WSHR
- 1036573 COOLER, 20"X 11"X 10" FOAMED MOLDED
- 1156520 LID, HDPE 190SDOB/210SD-99 COOLER W/HINGE PRL
- 1619618 PLUG, DRAIN STOPPER
- 12 1148519 TABLE, T/F CKPT ROUND PRL 99
- 13 876979 BASE, LEG/POST SURF MT ALUM
- 14 929836 POST, TABLE LEG 24.875" ANOD FLUTED
- 15 876961 BASE, LEG/POST FLUSH MT ALUM
- 16 137380 LIGHT, NAV STERN FLUSH MT CKPT

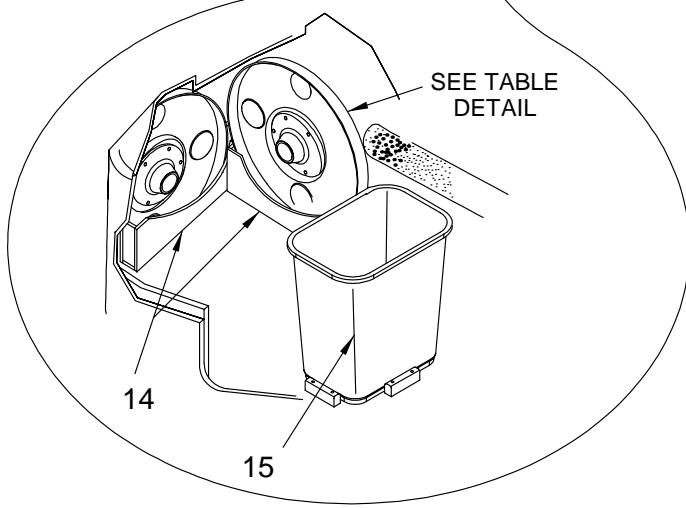
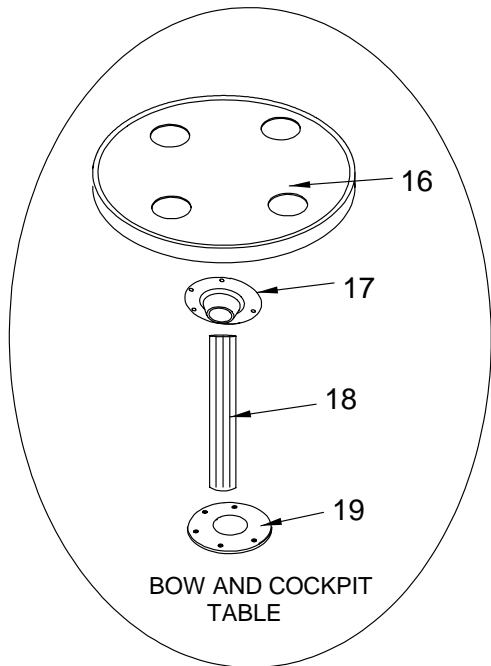
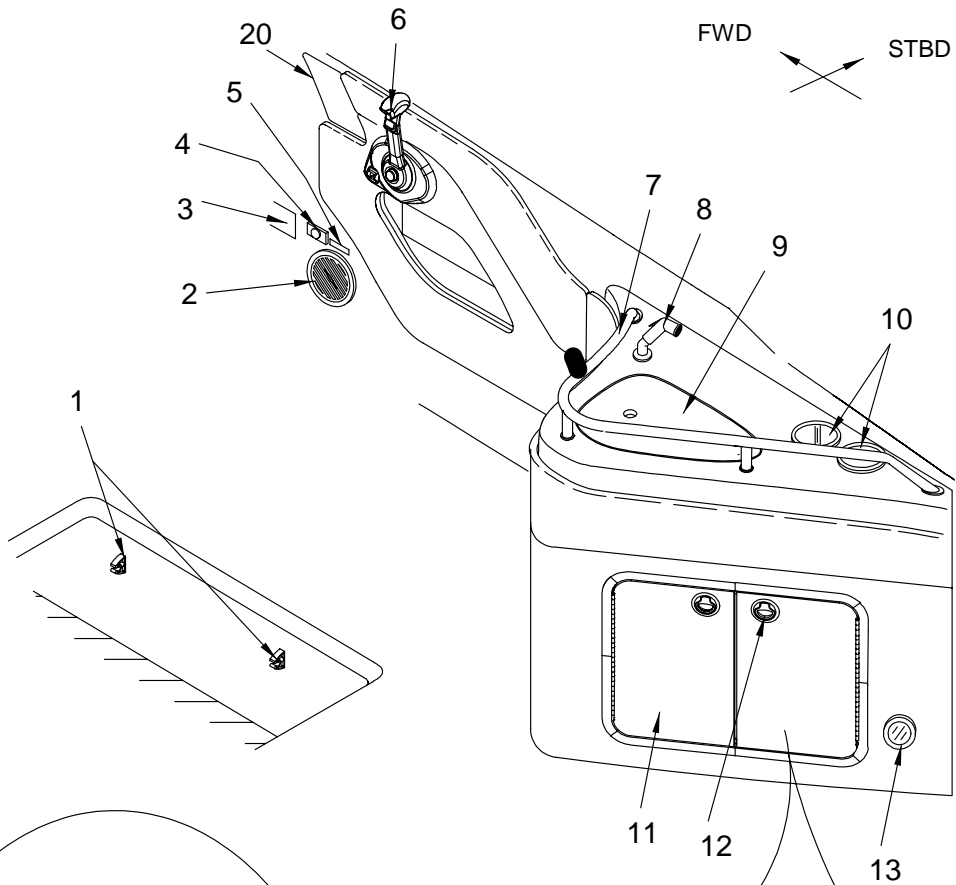
NOT SHOWN FILLER CUSHION

- 1770014 240SD 04,CUSH,BOW SNPD FILR
- 1770004 240SD 04,CUSH SKN,BOW SNPD FILR
- 1770057 240SD 04,SUPPORT,BOW FILR BOARD SET
- 1770055 240SD 04,SUPPORT,BOW FILR BOARD FWD
- 1770056 240SD 04,SUPPORT,BOW FILR BOARD MID
- 1770054 240SD 04,SUPPORT,BOW FILR BOARD AFT

NOT SHOWN LABELS

- 1745515 LABEL, WARNING DO NOT STAND/WALK THIS AREA
(NOTE: LOCATED EACH FILLER BOARD)

COCKPIT (STARBOARD VIEW)



COCKPIT (STARBOARD VIEW)

1	590646	CLIP, POLE STRG BLK - MAST LIGHT
2	1690555	SPEAKER, COAXIAL 6.5" W/WHT CVR
	1690558	GRILL, SPEAKER 6.5" ACOM WHT
3	819367	PLATE, NMMA 95-240SD
4	1287283	RECEPTACLE, FEMALE 12V LONG THRD BLK
	1259977	PLATE, FEMALE 12V RECEPTACLE MNT
5	1744738	LABEL, RECEPTACLE 12V-15A MAX (LEXAN)
6	1458900	CONTROL, REM THRTL/SHIFT CLSC 4000 W/CONN (HULL #3001-3211)
	1754390	CONTROL, SIDE MNT PISTOL GRIP 4000 GEN II I/O (HULL # 3212-UP)
7	1747840	RAIL, GRAB 240SD CKPT ENT CTR 316L
8	1689704	SHOWER, SPRAY NOZZLE ANGLE BASE W/6"SS HOSE
9	1316462	COVER, HDPE 240SD-00 CKPT SINK PRL
10	124347	HOSE, PVC CLEAR 3/8"
	123398	CLAMP, HOSE #06M 5/16"-7/8" SS MINI
	1156009	DRINKHOLDR, PLAS 4"X 3" MUG SZ PRL W/NPL
11	1315498	DOOR, HDPE 240SD-00 CKPT ENT STRG W/HINGE
12	986943	LATCH, FLUSH D-RING W/O LOCK BLK W/3"SHFT/CAM
13	137380	LIGHT, NAV STERN FLUSH MT CKPT
	1200369	BULB, REPL FOR #0137380/#0783670
14	1769996	240SD 04.BOX,TBL STRG CKPT ENT CTR
	795286	CARPET, EXT 12 OZ CHAR #0326 LT NEEDLE PUNCH
15	431098	BASKET, TRASH 11 3/8"X 8.25"X 12 1/8" BEIGE
16	1148519	TABLE, T/F CKPT ROUND PRL 99
17	876979	BASE, LEG/POST SURF MT ALUM
18	929836	POST, TABLE LEG 24.875" ANOD FLUTED
19	876961	BASE, LEG/POST FLUSH MT ALUM
20	819367	PLATE, NMMA 95-240SD
	1745122	LABEL, DANGER/WARNING COMBO CNTRL STA

LABELS

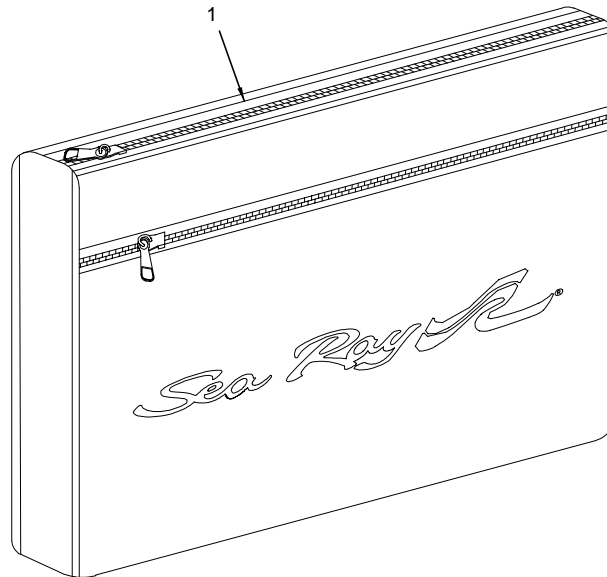
1744762	LABEL, WARNING PYHY FIRE EXT PRT (LEXAN)
1745520	LABEL, DANGER CO FUMES W/CANVAS
819367	PLATE, NMMA 95-240SD
1745514	LABEL, PREVENT DISCHARGE OF POLLUTANTS

NOT SHOWN

137349	ACCESS PLATE, PLAS CVR 5" WHT
1269430	SNAP CAP, PLAS ANTIQUE WHT

STEREO OPTION

1598853	STEREO, AMP CLARION APX400 4M
1736988	HARNESS, 220/240SD-03 STEREO AMP
1750880	CABLE, RCA AUDIO 6' W/EFX-2 CONN W/NOISE SUPP
1755999	SPEAKER, 10" SUBWOOFER ACOM W/WHT CVR

MULTI-INFO PACKET**MULTI-INFO PACKET**

1	1756381	PACKET, MULTI-INFO 240SD-04
	1093988	PACKET, OWNERS 2-COMP LEGAL SIZE CANVAS BLK
	140061	PLUG, DRAIN PLUG SNAPTITE 1/2"
	1411404	ENVELOPE, DEALER INFORMATION
	1507912	CARD, PASSPORT TO SAVINGS
	1507938	CARD, TALOR WINDSHIELD/GLASS CARE
	1510775	VIDEO, 01 CANVAS INSTALLATION SUNDECK
	1751550	CARD, CANVAS CARE & CLEANING MORBERN
	1751553	BOOKLET, COAST GUARD FEDERAL REQUIREMENT
	1751555	BOOKLET, 3M MAINTENANCE INSTRUCTION
	1751557	PACKET, 3M KIT
	1751559	CARD, CANVAS CARE & CLEANING SUNBRELLA
	1751562	CARD, WARRANTY SUNBRELLA LIMITED
	1751563	BOOKLET, STA-BIL FUEL STABILIZER
	1751564	CARD, CANVAS CARE & CLEANING SEA RAY
	1756041	CARD, WARRANTY - SPRT BOAT 04
	1756382	MANUAL, OWNERS W/SUPPLMNT - 240SD-04 2-TAB
	388736	CHECK LIST, IN SERVICE - SP BOATS
	764316	DOCUMENT, CANVAS LTD WARRANTY
	833749	FUSE BOX, SPARE W/6 ATC BLADE STYLE
	865204	GUIDE, ABS/ACRYLIC CLEANING/REPAIR
	929828	CARD, BOATING GUIDE
	954164	VIDEO, 97 OWNER ORIENTATION SPBOAT NTSC
	1758262	DOCUMENT, NMMA CO PAMPHLET '03
	1766184	BROCHURE, WATERSKI SAFETY GUIDELINES

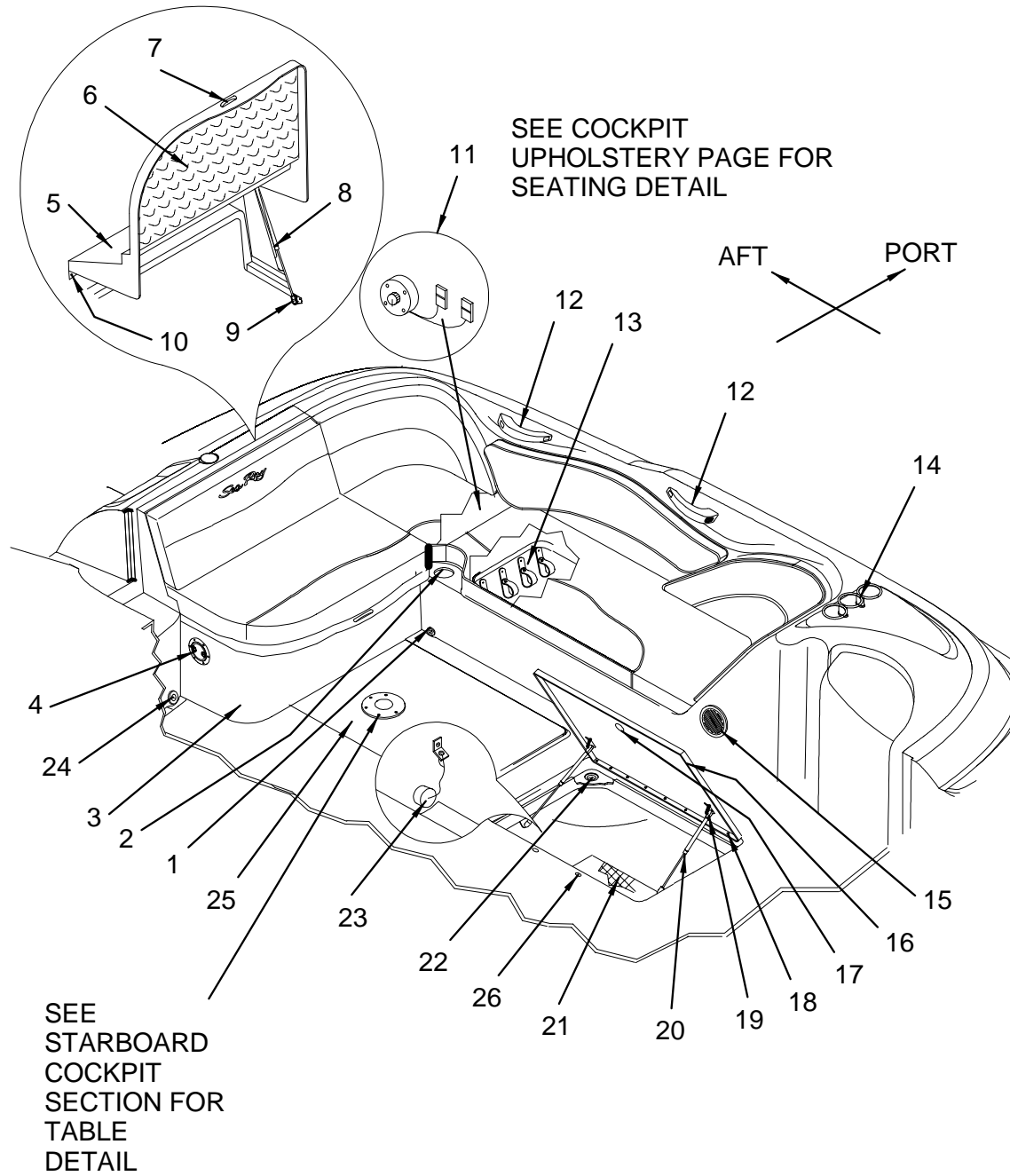
OWNER ORIENTATION VIDEO(S)

968339	VIDEO, 97 OWNER ORIENTATION SPBOAT PAL
1510544	VIDEO, 01 CANVAS INSTALLATION SUNDECK PAL

INTERNATIONAL NAV. CARD(S)

434191	CARD, NAVIGATIONAL INTERNATIONAL
--------	----------------------------------

COCKPIT (AFT PORT VIEW)



COCKPIT (AFT PORT VIEW)

- 1 1098417 THRU-HULL, PLAS 1 1/8" PRL
- 1524644 GASKET, THRU-HULL 1 29/32" OD
- 2 1156009 DRINKHOLDR, PLAS 4"X 3" MUG SZ PRL W/NPL
- 124347 HOSE, PVC CLEAR 3/8"
- 417998 CLAMP, HOSE #04M 1/4"-5/8" SS MINI
- 3 1770031 240SD 04,MTRBX,CKIRT CKPT FBRGLS
- 1156355 TRIM, EDGE PEARL MOTOR BOX SMALL
- 1392794 THRU-HULL, PLAS 1 1/8" TUBE X 90DEG PRL
- 4 1155993 ACCESS PLATE, POLYPROP W/O-RING 4" PEARL
- 5 1770032 240SD 04,MTRBX,CKPT FBRGLS
- 6 1341395 FOAM, P/C 240SD-00 CONV BILGE 2-PC
- 7 156166 PULL, DOOR/DRAWER PLAS WHT
- 8 813980 CYLINDER, GAS 80PSI 20"EXT X 12"COMP
- 634592 BRACKET, SS GAS CYL FLAT W/BALL STUD
- 9 634550 BRACKET, SS GAS CYL 90DEG L-BRKT W/BALL LONG
- 10 775874 HINGE, SS CONT 2"X 36" POLISHED
- 11 1726840 SWITCH, BATTERY SEL W/O LOCK W/O DISC REV 1
- (ABOVE # DUAL BATTERY SWITCH OPTION)
- 1726841 SWITCH, BATTERY ON/OFF N/LCK N/DISC RV1
- (ABOVE # ON/OFF BATTERY SWITCH OPTION)
- 12 1521160 HANDLE, GRAB PRL CUSTOM SR W/1/4" SS STUDS
- 13 855809 ROPE, DOCKLINE STRAP WHT W/HDWR (SHORT STYLE)
- 795286 CARPET, EXT 12 OZ CHAR #0326 LT NEEDLE PUNCH
- 14 1750874 HOLDER, DRINK SS 3-RING 3" (KING)
- 15 1690555 SPEAKER, COAXIAL 6.5" W/WHT CVR
- 1690558 GRILL, SPEAKER 6.5" ACOM WHT
- 16 1770025 240SD 04,HATCH,CKPT SKI STRG FBRGLS
- 17 986943 LATCH, FLUSH D-RING W/O LOCK BLK W/3"SHFT/CAM
- 18 1333186 HINGE, SS CONT 2"X 30" 240SD-00 SKI STRG
- 19 1107507 BRACKET, GAS CYL 105DEG W/10MM BALL
- 20 826305 CYLINDER, GAS 40PSI 20"EXT X 12"COMP
- 770479 BRACKET, SS GAS CYL 90DEG 1" W/STUD
- 21 1334952 FLOORING, PVC MAT 240SD-00 SKI STRG WHT
- 22 266130 DRAIN, LINER W/90 DEG ELBOW 1" PLASTIC
- 23 156224 PLUG, DRAIN PLUG SNAPTITE 7/8"
- 418632 LANYARD, W/TAB/RING
- 24 1392794 THRU-HULL, PLAS 1 1/8" TUBE X 90DEG PRL
- 25 1770024 240SD 04,HATCH,CKPT FUEL TANK
- 26 1628858 BUMPER, WHITE ROUND W/#6 TRUSS HEAD

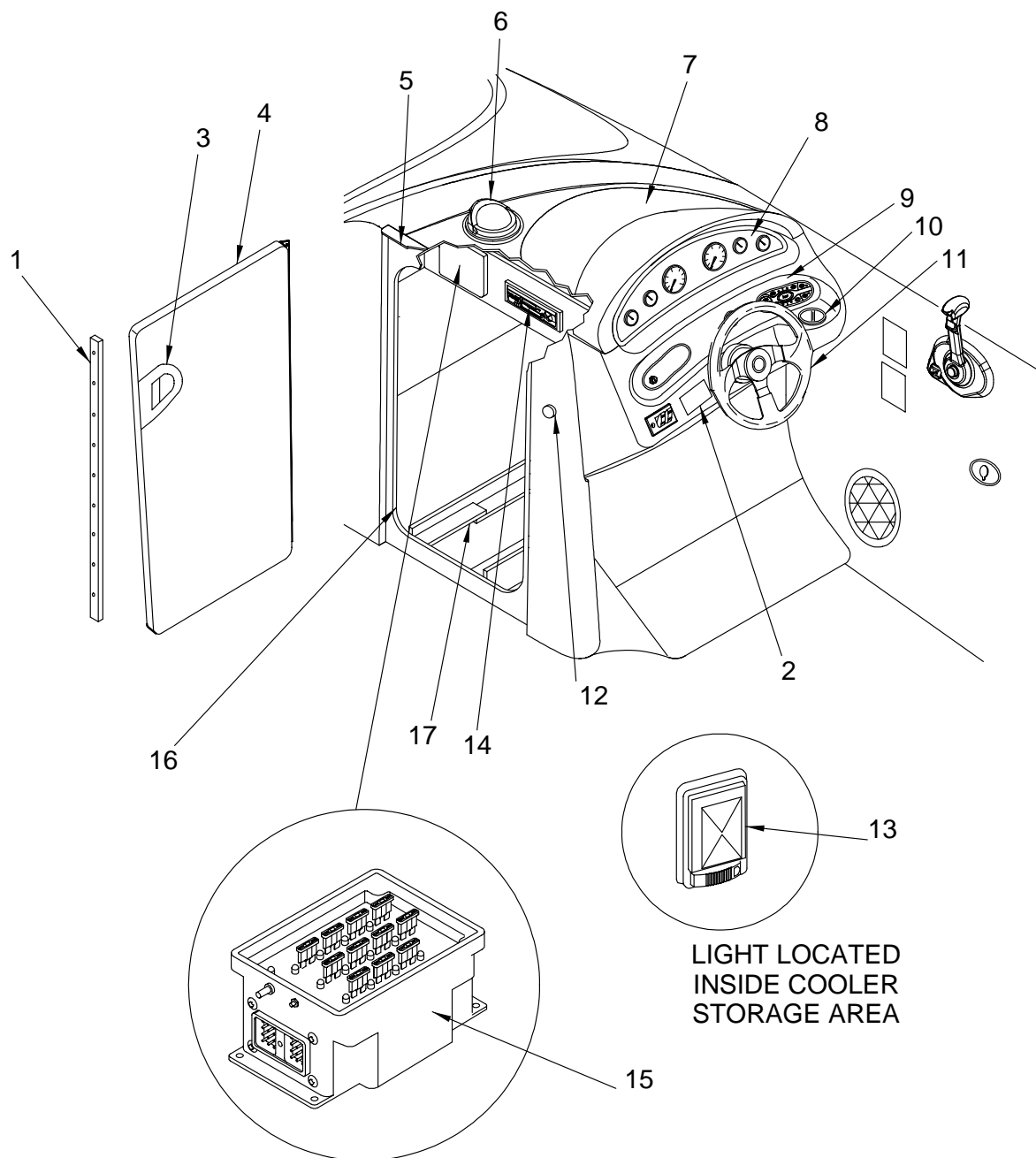
BATTERY ON/OFF SWITCH OPTION

- 1726841 SWITCH, BATTERY ON/OFF N/LCK N/DISC RV1
- 1324458 CABLE, BATT SET 240SD-00 W/OPT BATT SW
- 140509 BOOT, ENG STARTER RED
- 1746901 LABEL, CAUTION BATTERY SWITCH OFF/ALT DAMAGED
- 130435 HOLDER, BATTERY GR27 BLK NYLON W/SS

DUAL BATTERY OPTION

- 1726840 SWITCH, BATTERY SEL W/O LOCK W/O DISC REV 1
- 1745514 LABEL, PREVENT DISCHARGE OF POLLUTANTS
- 1431592 CABLE, BATT SET 240SD-00 W/DUAL BATT KIT
- 1216522 BOOT, BATTERY CABLE 4/0 RED 1"
- 130435 HOLDER, BATTERY GR27 BLK NYLON W/SS
- 1258979 BOOT, BATTERY CABLE 105C "T" BLK 4/0

COCKPIT (HELM)



COCKPIT (HELM)

- 1 1167923 STOP, HDPE 210BR-99 DOOR WALK THRU PRL
- 2 1745520 LABEL, DANGER CO FUMES W/CANVAS
- 3 1611490 LATCH, #7756 OMNI FLAT 1/2" N/ LCK
- 4 1753958 DOOR, PLEX 240SD-04 STRG WALK-THRU PRL
- 1612357 PLATE, STRIKER MOBELLA OMNI 3/4" & 1/2" BRS
- 1772288 HINGE, DOOR 240SD-04 STRG WLK-THRU
- 5 1165257 TRIM, PLAS ANGLE 15/16"X 15/16" TAPERED PRL
- 6 1617638 COMPASS, FLUSH MT 3 7/8" BLK HOUSE/GRN LIGHT
- 7 1588318 VISOR, DASH 240SD-02 FLEX
- 8 1752433 PANEL, BLANK:225WE/240SD/270SD-04 INST STD
- 9 1586585 PANEL, IGN SW 2002 GAS VNGR BURL
- 1754010 PANEL, BLANK:240/270SD SEC SW W/SMCRFT REV 1
- 10 1156009 DRINKHOLDR, PLAS 4"X 3" MUG SZ PRL W/NPL
- 124347 HOSE, PVC CLEAR 3/8"
- 417998 CLAMP, HOSE #04M 1/4"-5/8" SS MINI
- 11 1526292 STEERING WHEEL, 14.25" SPCRUIS MAHOG W/BLK
(SEE STEERING SYSTEM FOR DETAIL)
- 1508563 CAP, STEERING WHEEL BURL FOR #1468859
- 12 274373 BUMPER, CANOE CLIP MED WHT
- 13 312975 LIGHT, SGL DOME FLUSH MT WHT W/SWITCH
- 604801 BULB, DOME LIGHT 12V
- 14 1751777 STEREO, AM/FM CD PLAYER W/CHNGR CNTRL SIR SAT
- 1769995 240SD 04,BOX,STEREO/ELECT CKPT HELM
- 1755469 STEREO, REMOTE CNTRL W/DIG DSPLY FOR XMD3 BLK
- 1736095 CABLE, CLARION REMOTE EXTENSION CABLE 2'
- 1690555 SPEAKER, COAXIAL 6.5" W/WHT CVR
- 1690558 GRILL, SPEAKER 6.5" ACOM WHT
- 875484 ANTENNA LEAD, STEREO SOFT WIRE 30"
- 15 1718631 MODULE, ELEC INTERFACE SPBOAT RV3 (PEANUTEIM)
- 16 810572 TRIM-SEAL, 3/8" W/3/8" BULB LOC-A
- 17 1772289 240SD 04,SUPPORT,COOLER RACK

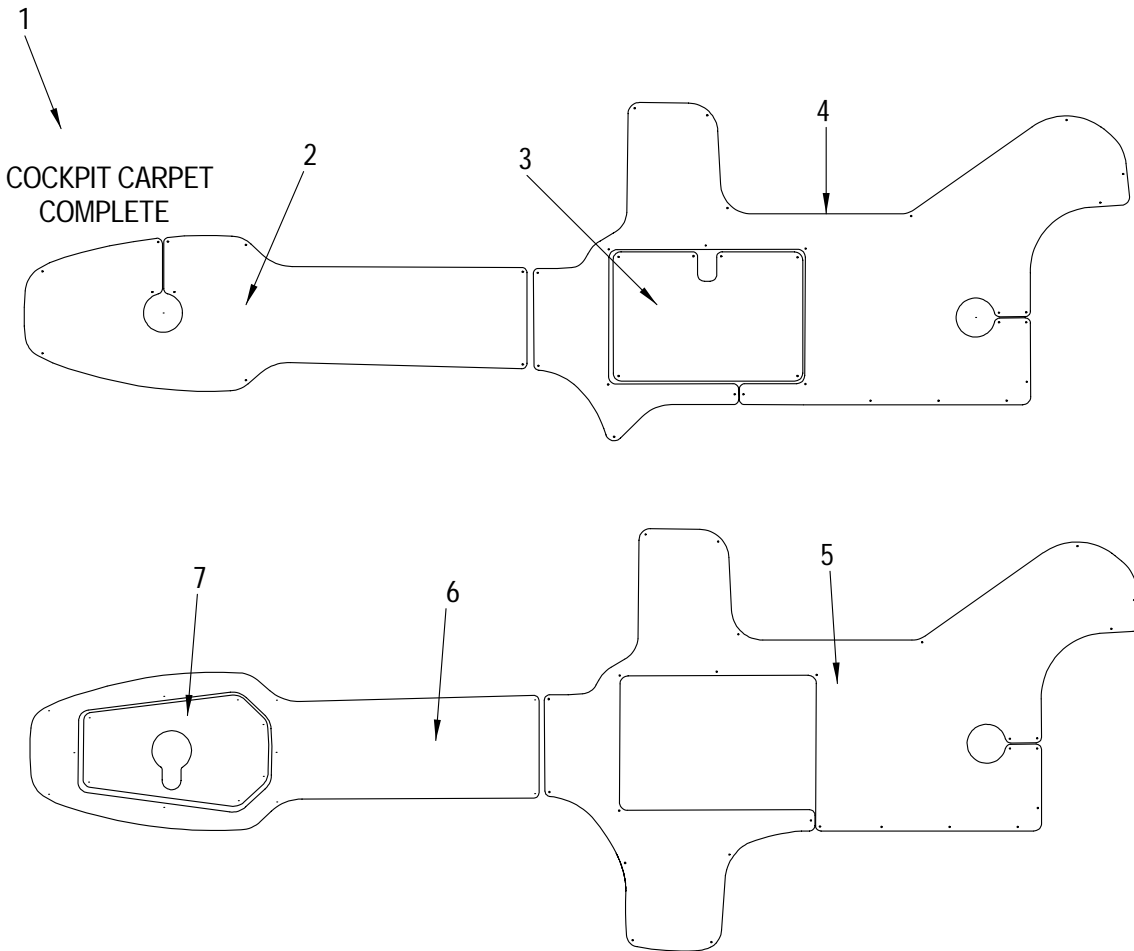
LABELS

- 1745122 LABEL, DANGER/WARNING COMBO CNTRL STA
- 1747505 LABEL, INFO REPL PROD/BROCH/DLRLOC/ETC

NOT SHOWN

- 814012 COOLER, 36QT
- 1507243 HARNESS, MERC DATA S-CRFT 1000-2RSL-20'
- 795286 CARPET, EXT 12 OZ CHAR #0326 LT NEEDLE PUNCH
- 1501782 HOSE, CONDUIT/SPLIT 1/2" FLAME RETARDANT

COCKPIT (SNAP-IN CARPET LINER)



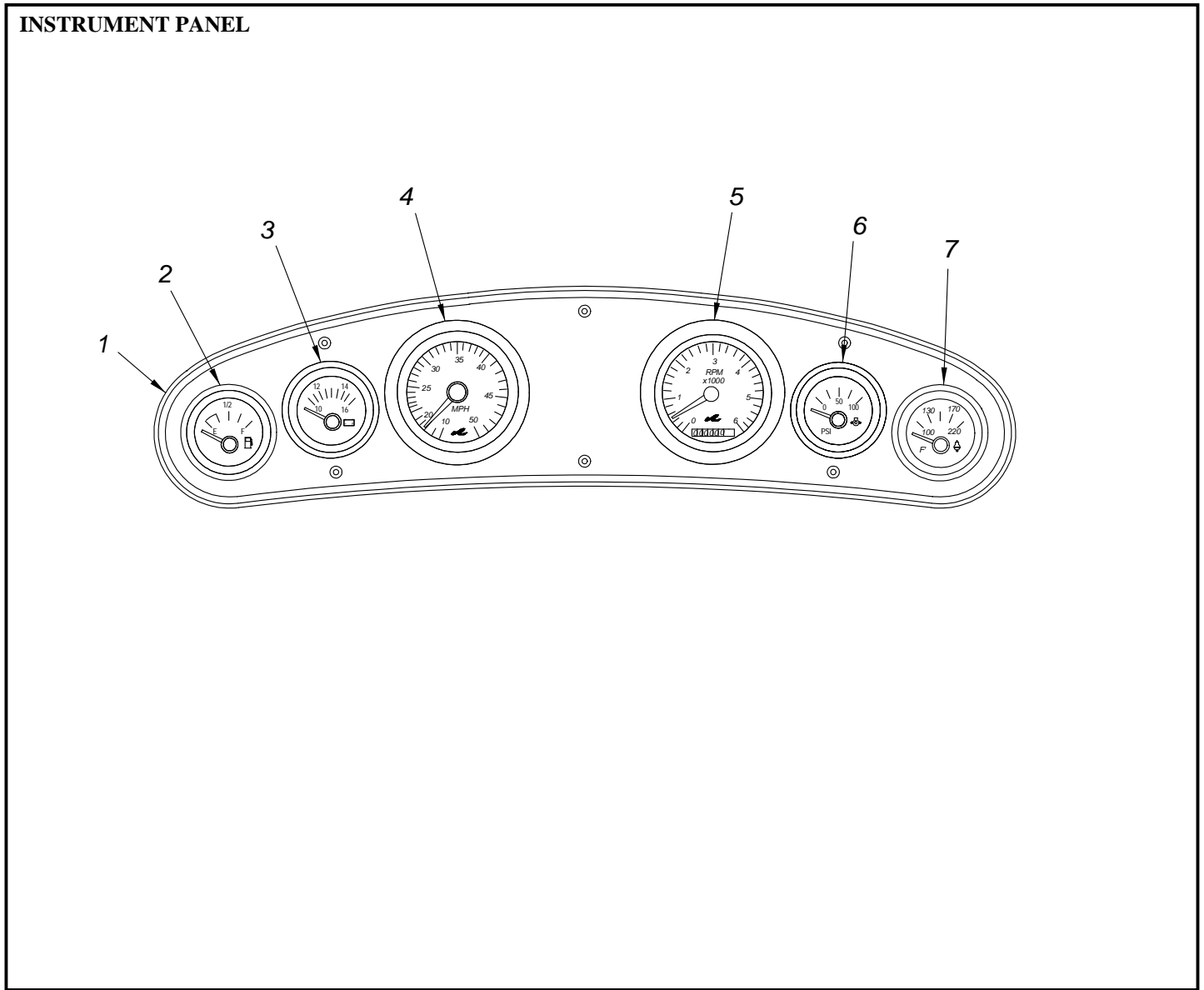
COCKPIT (SNAP-IN CARPET LINER)

CARPET

- 1609916 CARPET, EXT 28 OZ DUNE PEBBLE #902 RL 7FT
- 839720 BINDING, CANVAS 1" LINEN BIAS SUNBRELLA

CARPET SNAP-IN

- 1 1770000 240SD 04,CARPET,SNPN CMPLT
(HULL # 3001-3249)
- 1772475 240SD 04,CARPET,SNPN W/HATCH CMPLT
(HULL # 3250- UP)
- 2 1769999 240SD 04,CARPET,SNPN BOW W/TBL
(HULL # 3001-3249)
- 3 1770001 240SD 04,CARPET,SNPN SKI HATCH
- 4 1769997 240SD 04,CARPET,SNPN AFT CKPT
- 5 1769998 240SD 04,CARPET,SNPN AFT CKPT 2BKT SEATING
- 6 1772476 240SD 04,CARPET,SNPN BOW W/HATCH
(HULL # 3250- UP)
- 7 1772477 240SD 04,CARPET,SNPN BOW HATCH
(HULL # 3250- UP)



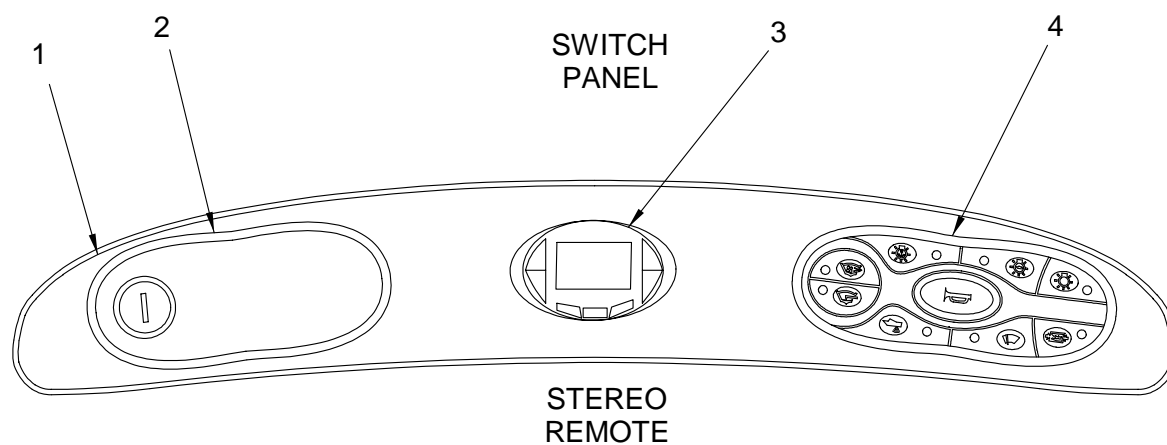
INSTRUMENT PANEL

- 1 1752433 PANEL, BLANK:225WE/240SD/270SD-04 INST STD
- 2 1689853 GAUGE, FUEL LEVEL S-CRFT 2"
1690380 NUT, LOCK 52MM SPIN LOCK VDO
- 3 1690031 GAUGE, ENG TRIM S-CRFT 2"
1690380 NUT, LOCK 52MM SPIN LOCK VDO
- 4 1689917 GAUGE, LINK SPEED 3" S-CRFT 0-70MPH
1690381 NUT, LOCK 85MM SPIN LOCK VDO
- 5 1754755 GAUGE, SYS TACH 3" S-CRFT 0-7000RPM RV1
1690381 NUT, LOCK 85MM SPIN LOCK VDO
- 6 1689852 GAUGE, OIL PRESS 100 PSI S-CRFT 2"
1690380 NUT, LOCK 52MM SPIN LOCK VDO
- 7 1689851 GAUGE, TEMP 250F S-CRFT 2"
1690380 NUT, LOCK 52MM SPIN LOCK VDO

MISCELLANEOUS

- 1719530 HARNESS, 240SD-03 W/S-CRFT
- 1507243 HARNESS, MERC DATA S-CRFT 1000-2RSL-20'

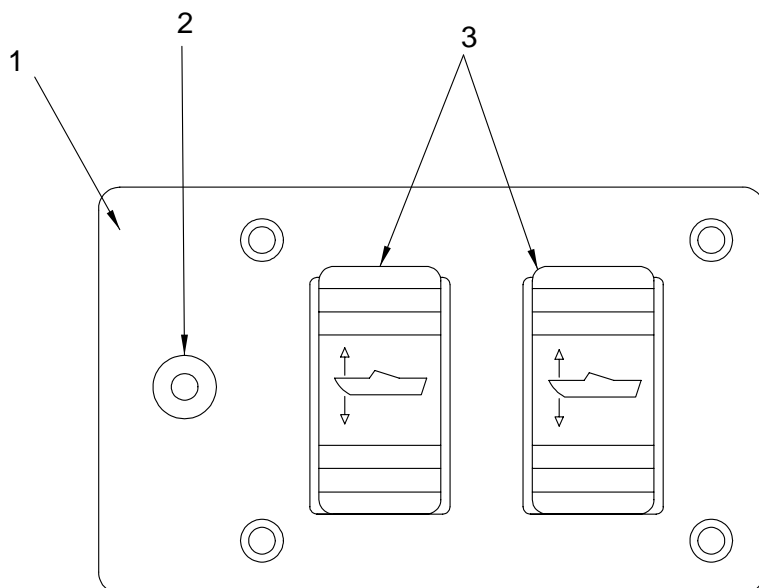
SWITCH PANEL



SWITCH PANEL

- 1 1754010 PANEL, BLANK:240/270SD SEC SW W/SMCRFT REV 1
- 2 1586585 PANEL, IGN SW 2002 GAS VNGR BURL
- 1409366 SWITCH, IGN STARTER
- 1403161 KEY, IGN W/RUBBER SR GRIP "J"
- 1403179 KEY, IGN W/RUBBER SR GRIP "K"
- 1403187 KEY, IGN W/RUBBER SR GRIP "L"
- 1403195 KEY, IGN W/RUBBER SR GRIP "M"
- 1403203 KEY, IGN W/RUBBER SR GRIP "P"
- 1403211 KEY, IGN W/RUBBER SR GRIP "S"
- 1403229 KEY, IGN W/RUBBER SR GRIP "R"
- 1403237 KEY, IGN W/RUBBER SR GRIP "N"
- 1449818 KEY, IGN W/RUBBER SR GRIP "BLANK"
- 3 1755469 STEREO, REMOTE CNTRL W/DIG DSPLY FOR XMD3 BLK
- 4 1718632 MODULE, ELEC KEYPAD W/BCKLT BURL RV5
- 1718631 MODULE, ELEC INTERFACE SPBOAT RV3 (PEANUTEIM)

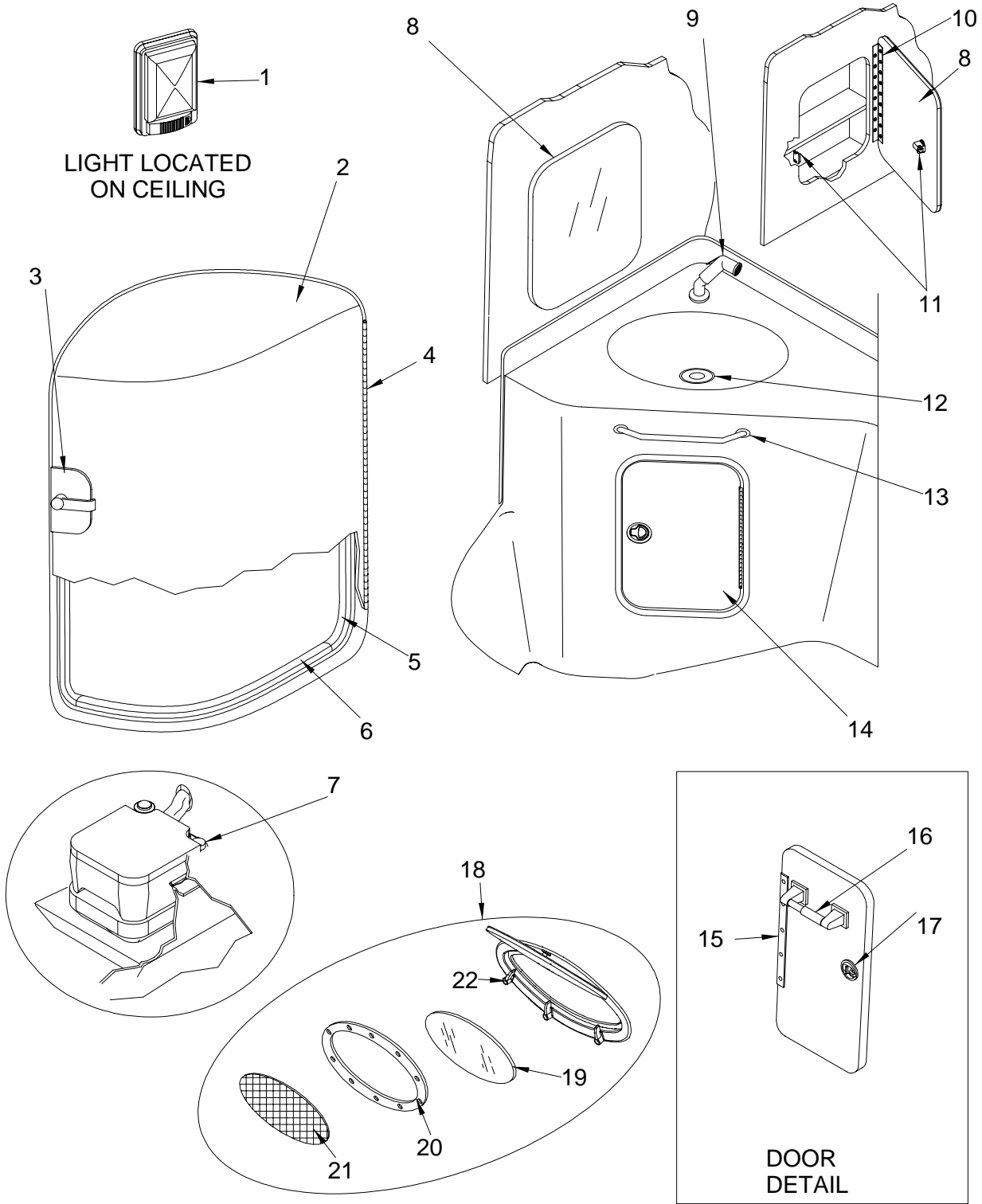
POWER TRIM AND TRIM TAB SWITCH PANEL



POWER TRIM AND TRIM TAB SWITCH PANEL

- 1 1150887 PANEL, 260DA-99 SWITCH TRIM TABS
- 2 775759 BRKR, P/BTN-MANUAL RESET 20A W/SCREW TER
- 3 709501 ACTUATOR, ROCK VERT BLK W/O LENS TRIM TABS
- 709493 BODY, ROCK SW DPDT (MOM) CEN-OFF W/O LAMP

HEAD



HEAD

- 1 312975 LIGHT, SGL DOME FLUSH MT WHT W/SWITCH
- 604801 BULB, DOME LIGHT 12V
- 2 1321157 DOOR, RTM 240/270SD-00 HEAD PRL
- 1285907 LATCH, DRAW SOFT-LATCH 4" CONCEALED BLK
- 1751057 LABEL, WARNING CABIN DOOR
- 3 1717317 LATCH, OFFSHR MORTISE RH-OUT PRVKNB CHR
- 1754071 PLATE, MOBELLA SHIM CHR/BR
- 4 1062348 HINGE, SS CONT 1.5"X 30"
- 5 810572 TRIM-SEAL, 3/8" W/3/8"BULB LOC-A
- 6 1156355 TRIM, EDGE PEARL MOTOR BOX SMALL
- 7 130716 HEAD, PORTABLE SANI POTTI PARCHMENT 2.8GAL
- 618702 GASKET, 1"OD X 3/4"ID X 1/16"
- 1355585 DECK PLATE, WASTE CHR STRAIGHT NCK BLK CODE
- 1474790 DECK PLATE, CAP W/GASKET
- 522599 KEY, DECK PLATE CAP
- 123844 HOSE, SANI/SMOOTH WALL 1.5"
- 124719 HOSE, SANI/CHEMICAL TDX 5/8"
- 256677 CLAMP, HOSE #12 1/2"-1.25" SS .505
- 256693 CLAMP, HOSE #24 1"-2" SS .505
- 8 1770030 240SD 04,MIR ASSY,HEAD
- 865998 T-MOLD, VINYL INSERT 7/8" ALMOND
- 1579499 TAPE, DBL-SIDE ADHESIVE 1" X 60YD
- 9 1689704 SHOWER, SPRAY NOZZLE ANGLE BASE W/6"SS HOSE
- 10 224956 HINGE, AL CONT 1.25"X 72" SAT
- 11 1450188 CATCH, GRABBER LATCH W/10LB HOLD WHT
- 12 1619618 PLUG, DRAIN STOPPER
- 1098425 THRU-HULL, PLAS 5/8" PEARL
- 1524677 GASKET, THRU HULL 1 29/64" OD
- 857706 HOSE, CORR VAC 5/8" PVC BILGE GREY
- 123398 CLAMP, HOSE #06M 5/16"-7/8" SS MINI
- 13 1747836 RAIL, GRAB 12" STREAMLINE W/FLANGES (316L)
- 14 1392679 DOOR, HDPE STRG W/18"X 12" PRL FRAME
- 663708 BUMPER, CLEAR .020" THICK
- 15 224956 HINGE, AL CONT 1.25"X 72" SAT
- 16 146399 HOLDER, TOILET PAPER WALL MNT CHR ROLLER
- 17 986943 LATCH, FLUSH D-RING W/O LOCK BLK W/3"SHFT/CAM
- 18 1212083 PORTLIGHT, OPENING ALL SS 1/4" MOD
- 1747493 LABEL, LEAVING WINDOW OPEN EXHAUST FUMES
- 19 834317 PORTLIGHT, DEAD LIGHT ONLY
- 20 1331743 TRIM RING, PORTLIGHT OUTSIDE (BOMAR)
- 21 1331313 PORTLIGHT, SCREEN 3/8"X 7/8"
- 22 866434 KNOB, PORTLIGHT KNOB ONLY (BOMAR)
- 1107044 PORTLIGHT, HANDLES QUICKDOGS (BOMAR)

DRAINAGE SYSTEM

- 1098417 THRU-HULL, PLAS 1 1/8" PRL
- 1524644 GASKET, THRU-HULL 1 29/32" OD
- 123901 HOSE, CORR BILGE 1 1/8" BLK
- 256685 CLAMP, HOSE #16 3/4"-1.5" SS .505

NOT SHOWN

- 1052851 SNAP CAP, PRESS-ON COVER #2 PHILLIP BEIGE
- 1501840 HOSE, CONDUIT/SPLIT 1" FLAME RETARDANT

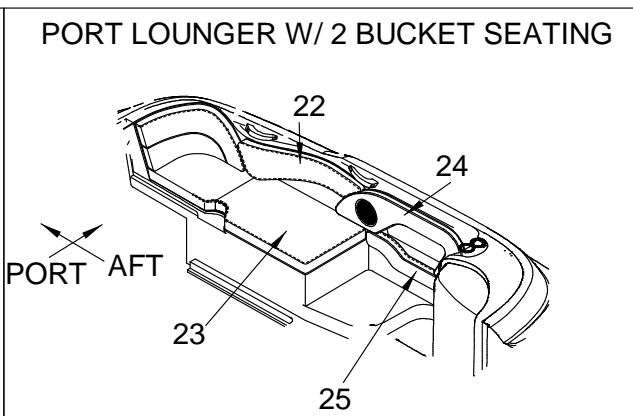
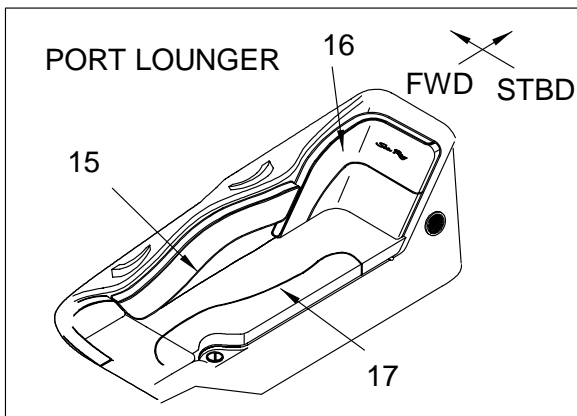
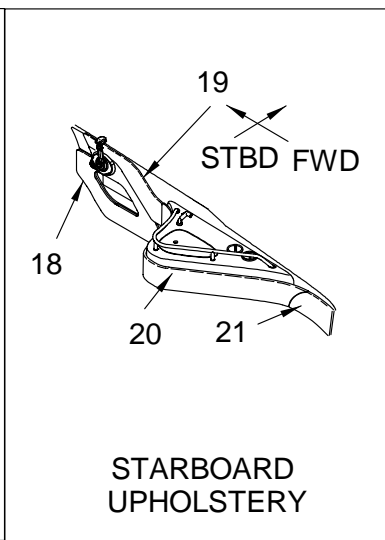
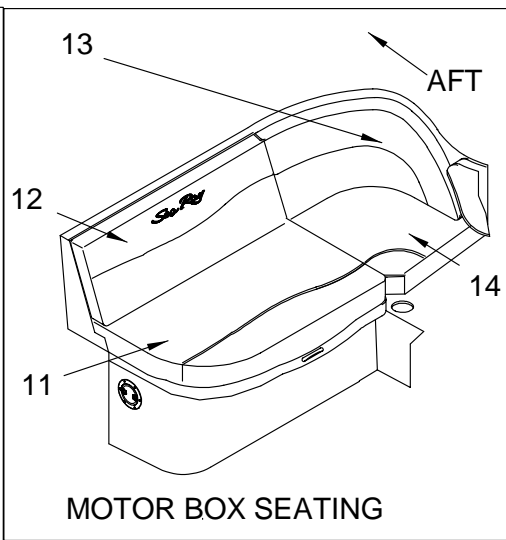
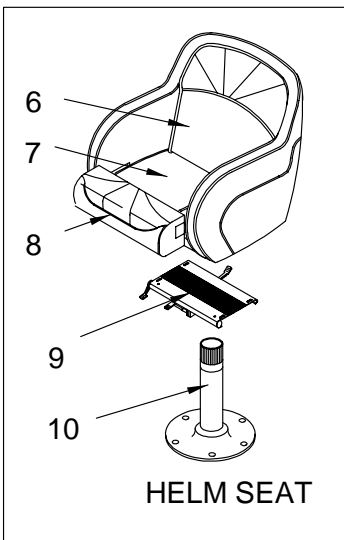
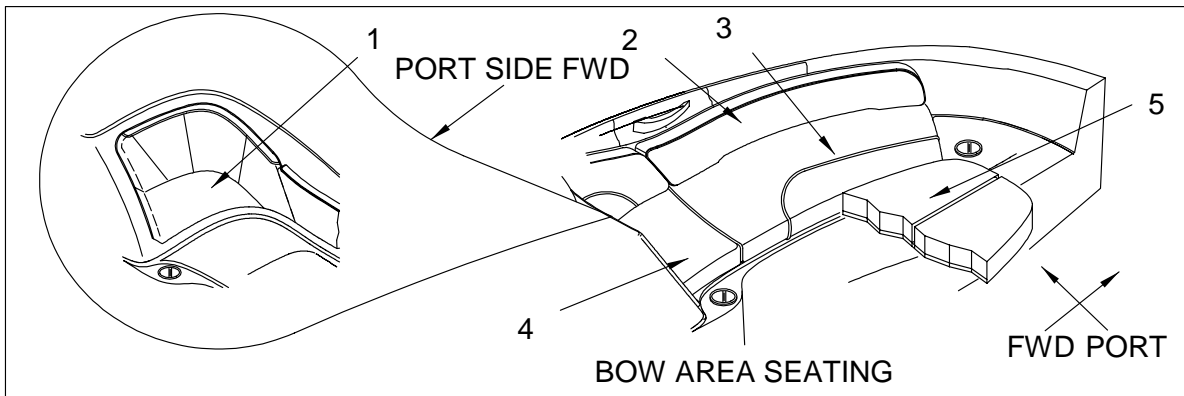
VACUUM FLUSH HEAD W/HOLDING TANK OPTION

- 1188945 PANEL, 260DA-99 WASTE SYS CNTRL
- 1545128 ADAPTER, SEATECH 1/2"UST X 15MM W/O WINGS
- 1742192 HARNESS, 240SD-03 WASTE SYSTEM
- 1745173 TANK, W/HEAD@10GAL HTS W/SEND V/G WOOD
- 1748071 COVER, HDPE 240SD-03 VACU FLUSH HEAD ACCESS

WASHABLE SURFACE/HEADLINER AND HULL LINER

- 1747515 VINYL, RVIEW LT CAMEO N/W 1/4"FB
- NOTE: USED IN HEAD**

COCKPIT (UPHOLSTERY)



COCKPIT (UPHOLSTERY)

1	1769988	240SD 04,BLSTR,PRT BOW AFT
	1769979	240SD 04,BLSTR SKN,PRT BOW AFT
	1769993	240SD 04,BLSTR,STB BOW AFT
	1769984	240SD 04,BLSTR SKN,STB BOW AFT
2	1769989	240SD 04,BLSTR,PRT BOW FWD
	1769980	240SD 04,BLSTR SKN,PRT BOW FWD
	1769994	240SD 04,BLSTR,STB BOW FWD
	1769985	240SD 04,BLSTR SKN,STB BOW FWD
3	1770019	240SD 04,CUSH,PRT BOW FWD
	1770009	240SD 04,CUSH SKN,PRT BOW FWD
	1770022	240SD 04,CUSH,STB BOW FWD
	1770012	240SD 04,CUSH SKN,STB BOW FWD
	609883	CLEAT, PLAS 3/4"X 1"X 4" GREY
4	1770018	240SD 04,CUSH,PRT BOW AFT
	1770008	240SD 04,CUSH SKN,PRT BOW AFT
	1770021	240SD 04,CUSH,STB BOW AFT
	1770011	240SD 04,CUSH SKN,STB BOW AFT
5	1770014	240SD 04,CUSH,BOW SNPD FILR
		(ABOVE # SUNPAD FILLER CUSH OPTION)
	1770004	240SD 04,CUSH SKN,BOW SNPD FILR
		(ABOVE # SUNPAD FILLER CUSH OPTION)
	1770057	240SD 04,SUPPORT,BOW FILR BOARD SET
		(ABOVE # SUNPAD FILLER CUSH OPTION)
	1770055	240SD 04,SUPPORT,BOW FILR BOARD FWD
		(ABOVE # SUNPAD FILLER CUSH OPTION)
	1770056	240SD 04,SUPPORT,BOW FILR BOARD MID
		(ABOVE # SUNPAD FILLER CUSH OPTION)
	1770054	240SD 04,SUPPORT,BOW FILR BOARD AFT
		(ABOVE # SUNPAD FILLER CUSH OPTION)
	1745515	LABEL, WARNING DO NOT STAND/WALK THIS AREA
		(ABOVE # SUNPAD FILLER CUSH OPTION)
6	1770052	240SD 04,SEAT,BKT W/THRSE CMPLT
	1770003	240SD 04,CUSH SKN,BKT ST W/THRSE CMPLT
	1441195	SHELL, BKT SEAT SPBT/SPCR-01 W/THGHRS
	1474956	SLEEVE, BKT SEAT SPBT/SPCR 01 THIGH-RISE
	964890	BRACKET, H/S FOLDUP 2PC RV2
	945972	SEAT, BKT SEAT CUSH INSERT 97 THIGH-RISE
7	1770015	240SD 04,CUSH,BTM BKT ST W/THRSE
	1770005	240SD 04,CUSH SKN,BTM BKT ST W/THRSE
8	1770029	240SD 04,LEG ROLL,BKT SEAT
	1770028	240SD 04,LEG ROLL SKN,BKT SEAT
9	1754578	SLIDE ASSY, SEAT MILLENIUM 10.5" M/H LONG HDL
	1219971	SEAT SLIDE, LEVER ACTUATED LOCK FOR #1141183
	1219955	SEAT SLIDE, INTERNAL DELRIN CUP FOR #1141183
	1219989	SEAT SLIDE, HANDLE SECONDARY TWIST CNTRL DRAG
	1219963	SEAT SLIDE, ROLL PIN PART OF #1141183
10	1154012	PEDESTAL, ALUM 7.75" RIBBED W/DEL CUP
11	1770013	240SD 04,CUSH,AFT BENCH MTRBX
	1770002	240SD 04,CUSH SKN,AFT BENCH MTRBX
12	1769986	240SD 04,BLSTR,AFT BENCH MTRBX
	1769977	240SD 04,BLSTR SKN,AFT BENCH MTRBX
13	1769990	240SD 04,BLSTR,PRT CKPT LNG AFT
	1769981	240SD 04,BLSTR SKN,PRT CKPT LNG AFT
14	1770020	240SD 04,CUSH,PRT CKPT LNG AFT
	1770010	240SD 04,CUSH SKN,PRT CKPT LNG AFT
15	1769992	240SD 04,BLSTR,PRT CKPT LNG SIDE
	1769983	240SD 04,BLSTR SKN,PRT CKPT LNG SIDE
16	1769991	240SD 04,BLSTR,PRT CKPT LNG FWD
	1769982	240SD 04,BLSTR SKN,PRT CKPT LNG FWD
17	1770016	240SD 04,CUSH,CKPT PRT LNG FWD
	1770006	240SD 04,CUSH SKN,CKPT PRT LNG FWD
18	1770041	240SD 04,PNL,CKPT STB SIDE LWR
	1770035	240SD 04,PNL SKN,CKPT STB SIDE LWR
19	1770042	240SD 04,PNL,CKPT STB SIDE UPR
	1770036	240SD 04,PNL SKN,CKPT STB SIDE UPR
20	1770040	240SD 04,PNL,CKPT ENT CTR SIDE
	1770034	240SD 04,PNL SKN,CKPT ENT CTR SIDE
21	1770039	240SD 04,PNL,CKPT AFT SIDE STB
	1770033	240SD 04,PNL SKN,CKPT AFT SIDE STB
22	1769987	240SD 04,BLSTR,FWD LNG 2 BKT SEATING
	1769978	240SD 04,BLSTR SKN,FWD LNG 2 BKT SEATING
23	1770017	240SD 04,CUSH,FWD LNG 2 BKT SEATING
	1770007	240SD 04,CUSH SKN,FWD LNG 2 BKT SEATING
24	1770051	240SD 04,PNL,PRT SIDE UPR 2 BKT SEATING
	1770038	240SD 04,PNL SKN,PRT SIDE UPR 2 BKT SEATING
25	1770043	240SD 04,PNL,PRT SIDE LWR 2 BKT SEATING
	1770037	240SD 04,PNL SKN,PRT SIDE LWR 2 BKT SEATING

BASE VINYL

1600253	VINYL, SEABROOK D PLATINUM EXP 1/4"F/B
1579820	VINYL, GRANDE D PLATINUM EXP 1/4"F/B

BASE VINYL (continued)

1579838	VINYL, GRANDE D PLATINUM EXP FLAT
1600261	VINYL, SEABROOK D PLATINUM EXP FLAT

CARPET COCKPIT STORAGE

795286	CARPET, EXT 12 OZ CHAR #0326 LT NEEDLE PUNCH
--------	--

CARPET SNAP-IN

1609916	CARPET, EXT 28 OZ DUNE PEBBLE #902 RL 7FT
---------	---

HEADLINER/HULL LINER/WASHABLE SURFACE

1747515	VINYL, RVIEW LT CAMEO NW 1/4"FB
---------	---------------------------------

UPHOLSTERY MATERIALS

983452	MESH, BLACK 54"
773630	MESH, WHITE 54"
1621358	HIDEM, GRANDE PLATINUM 5/8"

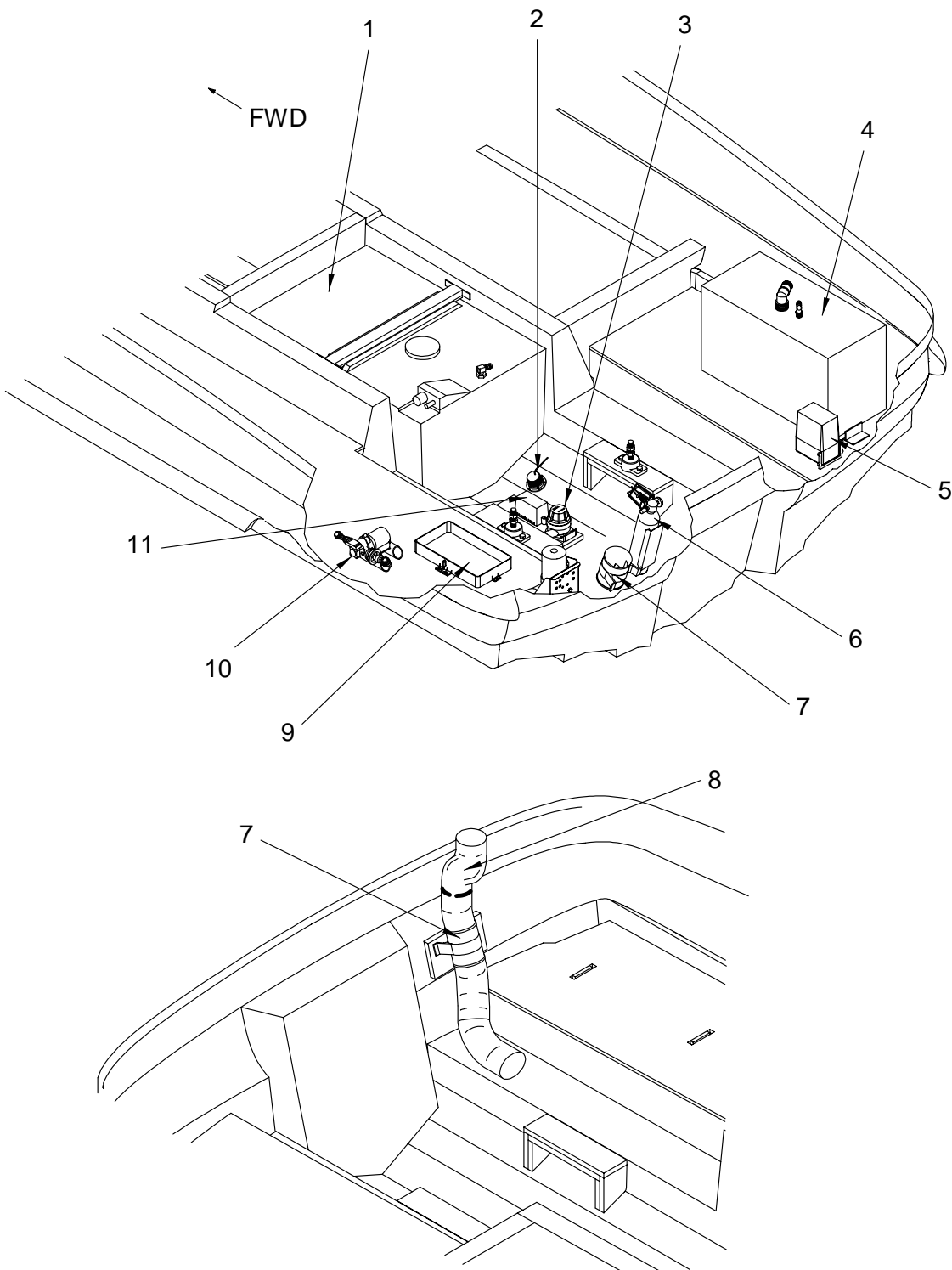
VINYL - ACCENT

1579788	VINYL, GRANDE D FLAX EXP FLAT
1579770	VINYL, GRANDE D FLAX EXP 1/4"F/B

VINYL - WELT

148551	WELT, WELT CORD SYNTHETIC 3/8"
1687646	HIDEM, SEABROOK EBONY 5/8"
1619626	VINYL, DADE PEWTER MIST EXP FLAT
581827	WELT, WELT CORD SYNTHETIC 5/32"X 1250"

BILGE



BILGE

- 1 1757649 TANK, FUEL 240SD-04 65GAL PLAS W/SS SENDER
- 1745006 SENDING UNIT, WEMA 18.5" SS W/SCRW & GASKET
- 1278894 BRACKET, FUEL TANK 27.5" 240SD-00
- 468934 TAPE, VAC PAK WHT (4"X 36YDS) PRESERVATION
- 1497452 TAPE, FOAM NEOPRENE W/3M 9828 3/8"TH X 2"W
- 2 1727450 ACC PART, MERC S-CRFT TRNS W/10' NYL DEP/TEMP
- 3 1690247 PUMP, BILGE 1100GPH W/IMPELLOR HOUSING VANES
- 123901 HOSE, CORR BILGE 1 1/8" BLK
- 256685 CLAMP, HOSE #16 3/4"-1.5" SS .505
- 1524644 GASKET, THRU-HULL 1 29/32" OD
- 1098417 THRU-HULL, PLAS 1 1/8" PRL
- 4 1285410 TANK, WATER 240SD-00 18GAL
- 857706 HOSE, CORR VAC 5/8" PVC BILGE GREY
- 126888 VENT, FUEL/WATER TANK 5/8"X 3"
- 123398 CLAMP, HOSE #06M 5/16"-7/8" SS MINI
- 1497452 TAPE, FOAM NEOPRENE W/3M 9828 3/8"TH X 2"W
- 129247 BAR, ALUM FLAT 1/8"X 2"X 12'
- 5 271445 TRIM TAB, HYD PUMP ONLY 12V
- SEE STERRING SYSTEM SECTION FOR BREAKDOWN**
- 1292051 TRIM TAB, ASSY 10X12 PARA W/HDWR/FLUID/P/CACT
- 6 196337 HALON SYS, AUTOMATIC 150CF (1301 HALON)
- 7 1587096 BLOWER, BILGE 4" #240MQ W/CONN
- 124016 HOSE, VENT/BLOWER 4" EX HVY DTY
- 1212729 TIE, CABLE 14" BLK W/SS BARB
- 8 124016 HOSE, VENT/BLOWER 4" EX HVY DTY
- 9 130435 HOLDER, BATTERY GR27 BLK NYLON W/SS
- 1324441 CABLE, BATT SET 240SD-00
- 1216514 BOOT, BATTERY CABLE 4/0 BLK 1"
- 1216522 BOOT, BATTERY CABLE 4/0 RED 1"
- 140509 BOOT, ENG STARTER RED
- 1412626 BOOT, E-MODULE RED
- 10 1480433 PUMP, FRESH WATER SHURFLO 2.8GPM IMP SOFT MNT
- 1453984 FITTING, NEPT 1/2" FEM SWWL BLK
- 1210160 TUBING, SEATECH 15MM X 11MM X 250' BLUE
- 406710 FILTER, IN-LINE WATER 1/2" FPT
- 11 1193671 SWITCH, FLOAT RULE W/CVR

BATTERY ON/OFF SWITCH

- 1324458 CABLE, BATT SET 240SD-00 W/OPT BATT SW
- 140509 BOOT, ENG STARTER RED
- 130435 HOLDER, BATTERY GR27 BLK NYLON W/SS
- 1746901 LABEL, CAUTION BATTERY SWITCH OFF/ALT DAMAGED

BATTERY ON/OFF SWITCH OPTION

- 1726841 SWITCH, BATTERY ON/OFF N/LCK N/DISC RV1

CE FIRE SYSTEM (EUROPEAN DEALERS ONLY) OPTION

- 934950 FIRE EXT SYS, FM200 100CF GAS-AUTO

DUAL BATTERIES

- 1726840 SWITCH, BATTERY SEL W/O LOCK W/O DISC REV 1
- 1431592 CABLE, BATT SET 240SD-00 W/DUAL BATT KIT
- 130435 HOLDER, BATTERY GR27 BLK NYLON W/SS
- 1216522 BOOT, BATTERY CABLE 4/0 RED 1"
- 1258979 BOOT, BATTERY CABLE 105C "T" BLK 4/0

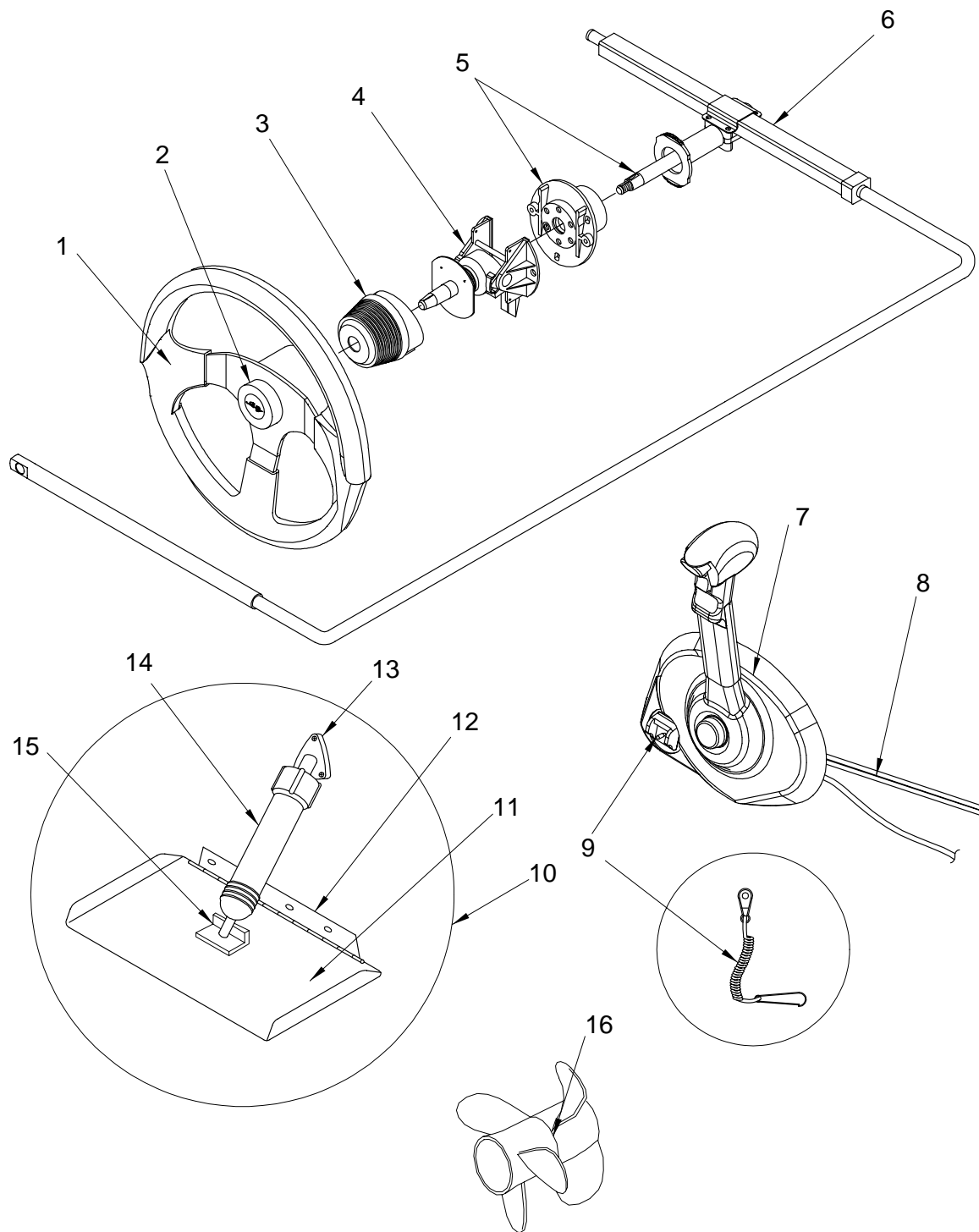
LABELS

- 1746901 LABEL, CAUTION BATTERY SWITCH OFF/ALT DAMAGED

NOT SHOWN

- 1341395 FOAM, P/C 240SD-00 CONV BILGE 2-PC
- 1347053 FOAM, P/C 240SD-00 CONV BILGE 2-PC CE OPT
- (NOTE: ABOVE # CE OPTION)
- 1501782 HOSE, CONDUIT/SPLIT 1/2" FLAME RETARDANT

STEERING SYSTEM



STEERING SYSTEM

- 1 1526292 STEERING WHEEL, 14.25" SPCRUIS MAHOG W/BLK
- 1765813 STEERING WHEEL, MSPAD 136ABS/SR W/RING
- 1765814 STEERING WHEEL, 136ABS RING ONLY
- 2 1747682 EMBLEM, S/R EMB SCRIPT WHEEL CHR-BEZEL 1.75"
- 3 1092212 STEERING, MOUNT 90 DEG BEZEL ONLY BACK-MNT
- 958439 STEERING, BELLOWS TILT STEERING BLK
- 4 662510 STEERING, PERFORMANCE TILT MECHANISM
- 5 1092246 STEERING, TILT HELM BACK-MNT
- 6 1091867 STEERING, BACK MNT RACK/CABLE 17.0' ASSY
- 7 1458900 CONTROL, REM THRTL/SHIFT CLSC 4000 W/CONN
(HULL # 3001-3216)
- 1754390 CONTROL, SIDE MNT PISTOL GRIP 4000 GEN II I/O
(HULL # 3217-UP)
- 8 974071 CABLE, CONTROL TELEFLEX 15' 600A/MERC SERIES
(ABOVE # - SHIFT CABLE)
(HULL # 3001-3216)
- 1757747 CABLE, CONTROL MERC GEN II STD 16 LAY 15'BULK
(HULL # 3217-UP)
- 1006303 CABLE, CONTROL TELEFLEX 14' 600A/MERC SERIES
(ABOVE#- THROTTLE CABLE)
(HULL # 3001-3216)
- 1757745 CABLE, CONTROL MERC GEN II STD 16 LAY 14'BULK
(HULL # 3217-UP)
- 9 778928 LANYARD, COILED STOP SWITCH
- 10 1292051 TRIM TAB, ASSY 10X12 PARA W/HDWR/FLUID/P/CACT
- 11 1410612 TRIM TAB, TPA W/MNTG PLATE F/1292051
- 1410570 TRIM TAB, TRIM PLANE ONLY F/1292051
- 12 1410547 TRIM TAB, MOUNTING PLATE FOR 1292051
- 13 1410562 TRIM TAB, UPR HINGE
- 1410539 TRIM TAB, ZINC ONLY (ZINC3)
- 14 1410554 TRIM TAB, ACTUATOR W/10' PRECON
- 15 1743708 TRIM TAB, LWR HINGE
- 1743709 TRIM TAB, LWR HINGE PIN

350 MAG MPI BR3 (300PHP) MCM STERN DRIVE

- 16 708198 PROP, 15.5"X 24" SS BR3 LH
- 708206 PROP, 14.25"X 24" SS BR3 RH

5.0L BRAVO 3 (260PHP) MCM STERN DRIVE

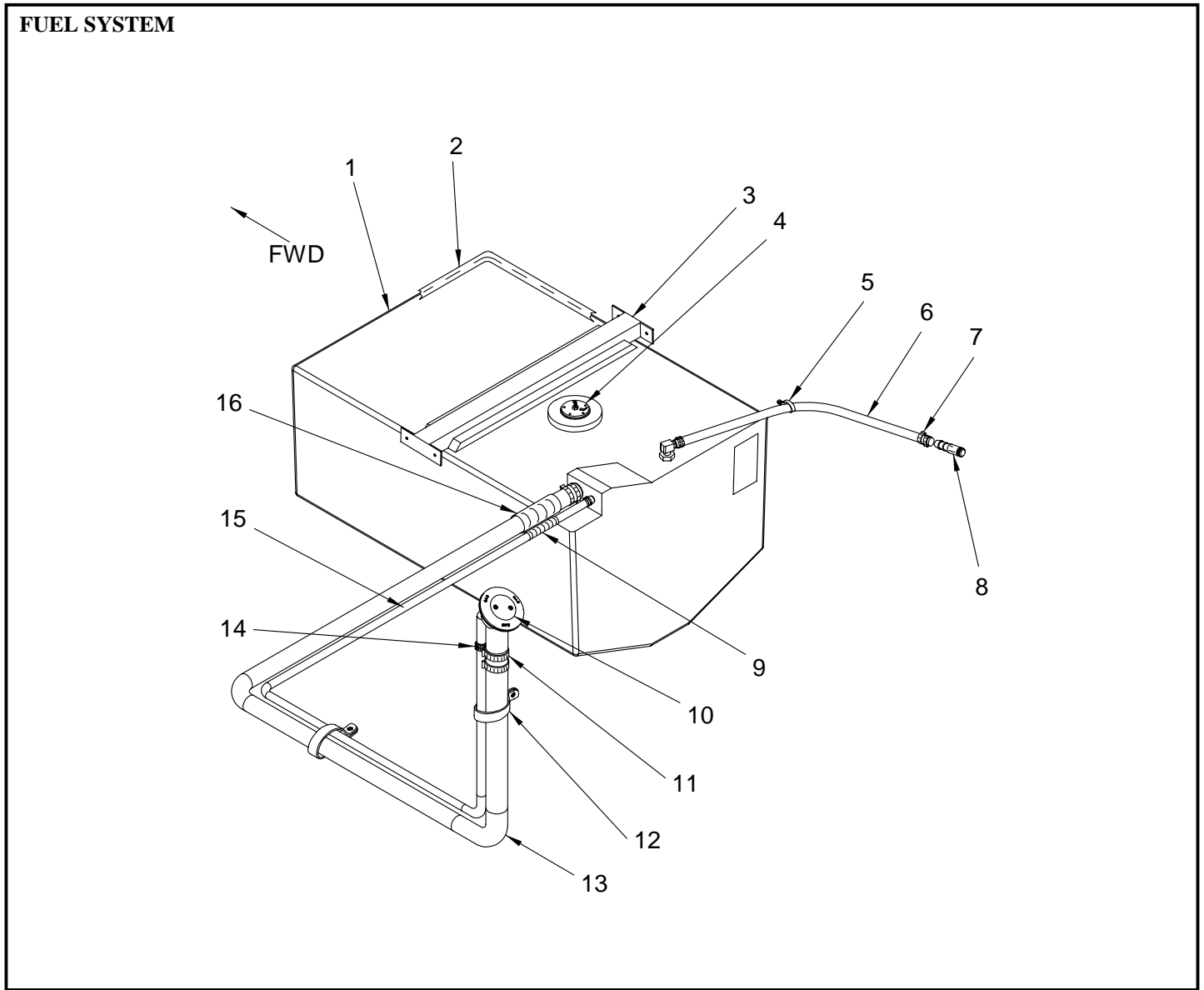
- 708172 PROP, 15.75"X 22" SS BR3 LH
- 708180 PROP, 14.25"X 22" SS BR3 RH

MX 6.2L MPI BR3 (320 PHP) MCM STERN DRIVE

- 16 708214 PROP, 15.25"X 26" SS BR3 LH
- 708222 PROP, 14"X 26" SS BR3 RH

NOT SHOWN

- 123604 CLAMP, LOOM VINYL DIP 2.5"



FUEL SYSTEM

- 1 1757649 TANK, FUEL 240SD-04 65GAL PLAS W/SS SENDER
- 2 468934 TAPE, VAC PAK WHT (4"X 36YDS) PRESERVATION
- 3 1278894 BRACKET, FUEL TANK 27.5" 240SD-00
- 4 1497452 TAPE, FOAM NEOPRENE W/3M 9828 3/8"TH X 2"W
- 5 1745006 SENDING UNIT, WEMA 18.5" SS W/SCRW & GASKET
- 6 123661 CLAMP, LOOM VINYL DIP 1"
- 7 1497486 HOSE, FUEL 3/8" ISO/CE W/PLAS LINER
- 8 1478213 FERRULE, FUEL LINE 3/8"ISO/CE
- 9 123398 CLAMP, HOSE #06M 5/16"-7/8" SS MINI
- 10 140467 ELBOW, BRASS 90DEG 3/8"SAE X 1/4"MPT
- 11 1501840 HOSE, CONDUIT/SPLIT 1" FLAME RETARDANT
- 12 1109354 DECK PLATE, GAS CHR W/VENT 45DG NCK RED CODE
- 13 1098615 DECK PLATE, GAS CHR W/VENT (SHIM ONLY)
- 14 1068592 KEY, DECK PLATE CAP
- 15 1213867 DECK PLATE, CAP W/CHAIN GAS (FOR #1109354)
- 16 256693 CLAMP, HOSE #24 1"-2" SS .505
- 17 123604 CLAMP, LOOM VINYL DIP 2.5"
- 18 123745 HOSE, FUEL 1.5" TYPE A CLASS 2
- 19 256677 CLAMP, HOSE #12 1/2"-1.25" SS .505
- 20 123778 HOSE, FUEL 5/8" TYPE A CLASS 2
- 21 1501857 HOSE, CONDUIT/SPLIT 1.5" FLAME RETARDANT

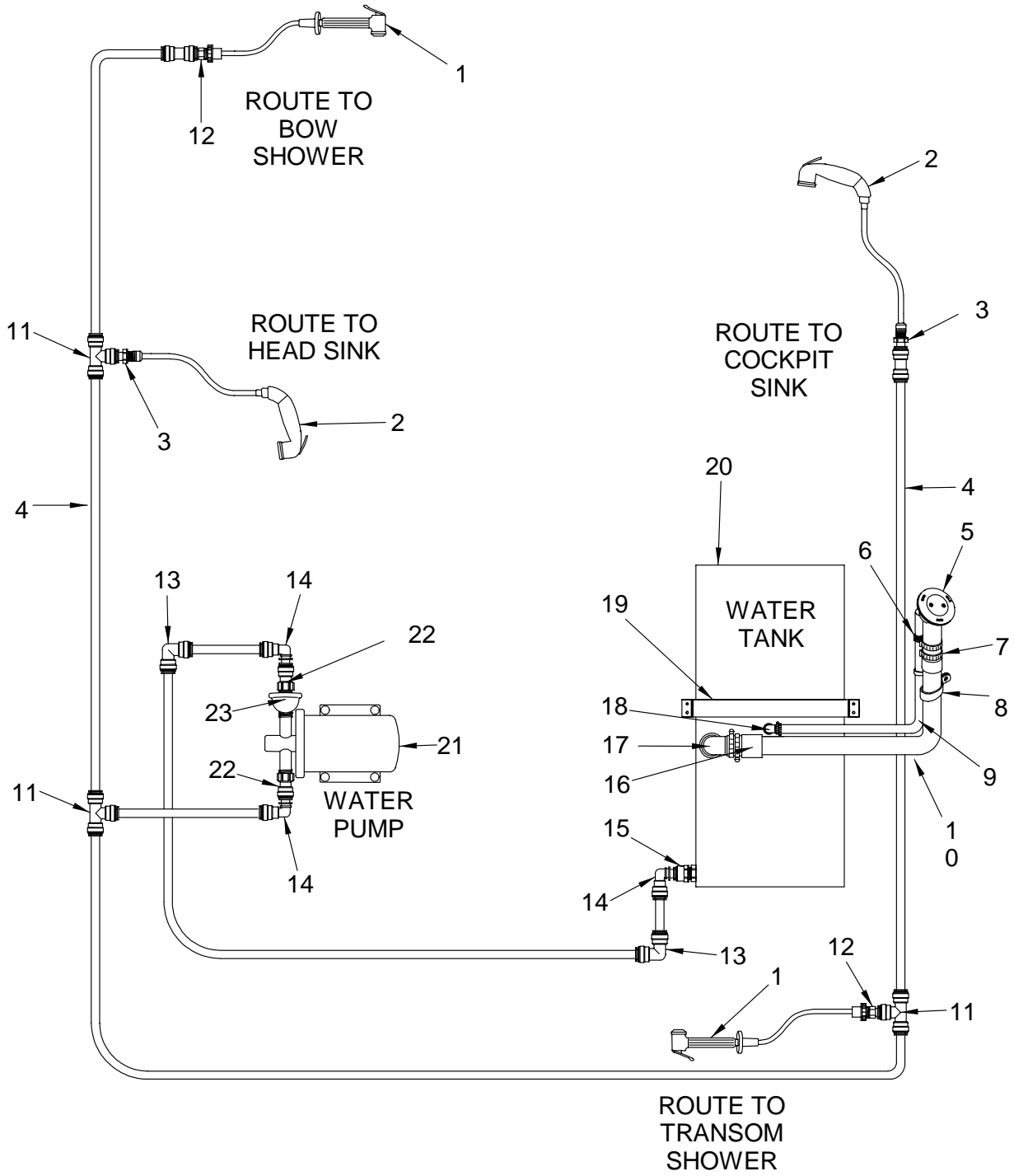
LABELS

- 1745157 LABEL, FUEL RECOMMENDATION
- 1745512 LABEL, STAY CLEAR OF MOVING PARTS

NOT SHOWN

- 1689600 HARNESS, 9' ELEC FUEL SHUTOFF VLV W/TERM 02
- 224329 VALVE, BRASS FUEL SHUT-OFF ELEC 12V SKINNER
- 306936 BRACKET, FUEL SHUT-OFF VALVE (SKINNER-ELEC)
- 141747 ANGLE, PVC 2"X 2"X 1/4"X 10' GREY

WATER SYSTEM



WATER SYSTEM

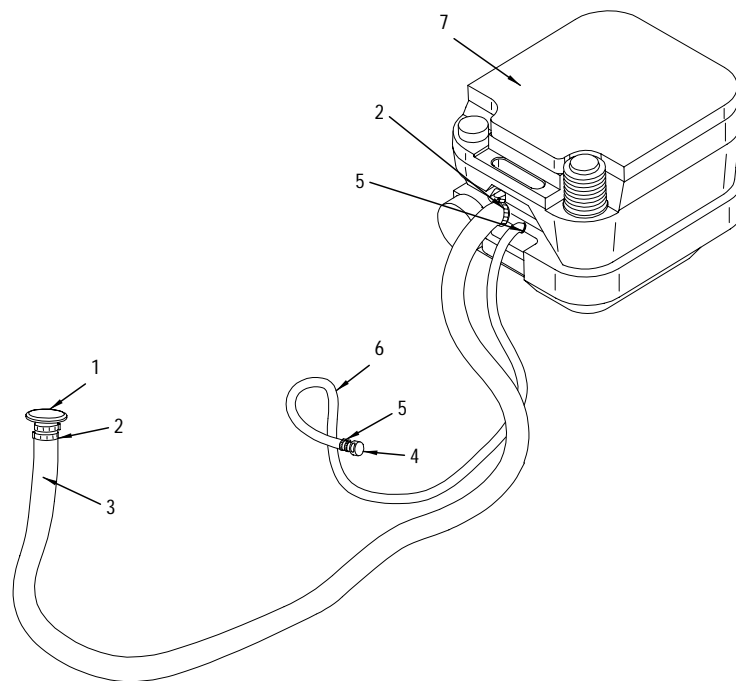
1	1597921	SHOWER, SPRAY NOZZLE W/8'SS HOSE HVY DUTY
	1388743	HOLDER, PLAS SPRAYER PRL
	1524644	GASKET, THRU-HULL 1 29/32" OD
2	1689704	SHOWER, SPRAY NOZZLE ANGLE BASE W/6'SS HOSE
	1098425	THRU-HULL, PLAS 5/8" PEARL
		(ABOVE # ENTERTAINMENT CTR & HEAD SINKS)
	1524677	GASKET, THRU HULL 1 29/64" OD
3	1215185	ADAPTER, SEATECH 1/2"M-15MM STEM BRASS
4	1210160	TUBING, SEATECH 15MM X 11MM X 250' BLUE
5	1109362	DECK PLATE, WATER CHR W/VENT BLUE CLR-CODE
	1405844	DECK PLATE, CAP W/CHAIN WATER
	1068592	KEY, DECK PLATE CAP
6	123398	CLAMP, HOSE #06M 5/16"-7/8" SS MINI
7	256693	CLAMP, HOSE #24 1"-2" SS .505
8	123604	CLAMP, LOOM VINYL DIP 2.5"
9	857706	HOSE, CORR VAC 5/8" PVC BILGE GREY
10	490219	HOSE, CORR SAN/WATER-FILL 1.5" RH
11	1214824	TEE, SEATECH EQUAL 15MM
12	1215185	ADAPTER, SEATECH 1/2"M-15MM STEM BRASS
13	1214832	ELBOW, SEATECH 90DEG EQUAL 15MM
14	1214840	ELBOW, SEATECH 90DEG STEM 15MM
15	1216308	ADAPTER, SEATECH STRAIGHT 1/2"M-15MM BRASS
16	172726	HOSE CUFF, 1.5" RH WHT
17	130344	ELBOW, PVC 1.5"MPT X 1.5"BARB X 90DEG
18	167874	ELBOW, GENOVA 1/2"MPT X 1/2"BARB X 90DEG
19	1770053	240SD 04,STRAP,WTR TANK HOLDDOWN ALUM
20	1285410	TANK, WATER 240SD-00 18GAL
21	1480433	PUMP, FRESH WATER SHURFLO 2.8GPM IMP SOFT MNT
22	1453984	FITTING, NEPT 1/2"FEM SWVL BLK
23	406710	FILTER, IN-LINE WATER 1/2" FPT

LABELS

1743534	LABEL, FRESH WATER (LEXAN)
---------	----------------------------

NOT SHOWN

785774	DRAIN, W/PLUG 100DEG 5/8" BARB BLK W/WHT HEAD
1215235	CLIP, SEATECH COLLET 15MM
123661	CLAMP, LOOM VINYL DIP 1"
141747	ANGLE, PVC 2"X 2"X 1/4"X 10' GREY

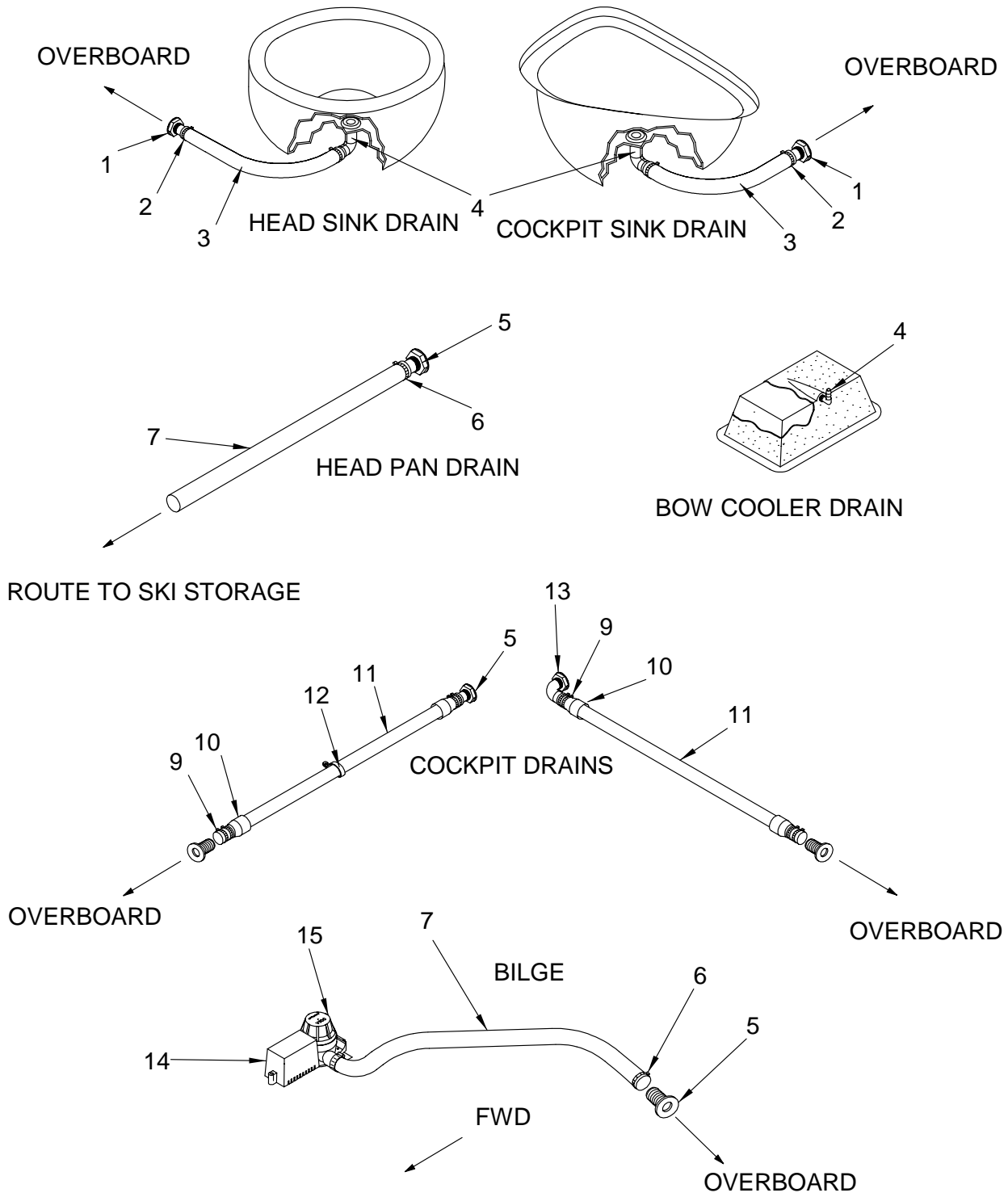
SEWAGE SYSTEM (PUMP-OUT HEAD OPTION)**SEWAGE SYSTEM (PUMP-OUT HEAD OPTION)**

- | | | |
|---|---------|---|
| 1 | 1355585 | DECK PLATE, WASTE CHR STRAIGHT NCK BLK CODE |
| | 522599 | KEY, DECK PLATE CAP |
| | 1474790 | DECK PLATE, CAP W/GASKET |
| 2 | 256693 | CLAMP, HOSE #24 1"-2" SS .505 |
| 3 | 123844 | HOSE, SANI/SMOOTH WALL 1.5" |
| 4 | 126888 | VENT, FUEL/WATER TANK 5/8" X 3" |
| 5 | 256677 | CLAMP, HOSE #12 1/2"-1.25" SS .505 |
| 6 | 124719 | HOSE, SANI/CHEMICAL TDX 5/8" |
| 7 | 130716 | HEAD, PORTABLE SANI POTTI PARCHMENT 2.8GAL |
| | 618702 | GASKET, 1"OD X 3/4"ID X 1/16" |

NOT SHOWN

- | | | |
|--|---------|--|
| | 129189 | ANGLE, ALUM 1/8" X 1.5" X 1.5" X 16' |
| | 1758957 | PVC BOARD, 1/2" X 4' X 8' WHT INTEFOAM |

DRAINAGE SYSTEM



DRAINAGE SYSTEM

- 1 1098425 THRU-HULL, PLAS 5/8" PEARL
- 1524677 GASKET, THRU HULL 1 29/64" OD
- 2 417998 CLAMP, HOSE #04M 1/4"-5/8" SS MINI
- 3 857706 HOSE, CORR VAC 5/8" PVC BILGE GREY
- 4 1619618 PLUG, DRAIN STOPPER
- 5 1098417 THRU-HULL, PLAS 1 1/8" PRL
- 1524644 GASKET, THRU-HULL 1 29/32" OD
- 6 256685 CLAMP, HOSE #16 3/4"-1.5" SS .505
- 7 123901 HOSE, CORR BILGE 1 1/8" BLK
- 8 266130 DRAIN, LINER W/90 DEG ELBOW 1" PLASTIC
- 9 256677 CLAMP, HOSE #12 1/2"-1.25" SS .505
- 10 466615 HOSE CUFF, 1" RH WHT
- 11 466664 HOSE, CORR VAC 1" RH
- 12 123661 CLAMP, LOOM VINYL DIP 1"
- 13 266130 DRAIN, LINER W/90 DEG ELBOW 1" PLASTIC
- 14 1193671 SWITCH, FLOAT RULE W/CVR
- 15 1690247 PUMP, BILGE 1100GPH W/IMPELLOR HOUSING VANES

350 MAG MPI BR 3 (300 PHP) MCM STERN DR.

1687181 BOOT, PVC TERM INSUL CAP(485N9V02)RED
 1086990 OUTDRIVE UNIT, MERC BRAVO III 2.20:1
 708206 PROP, 14.25"X 24" SS BR3 RH
 708198 PROP, 15.5"X 24" SS BR3 LH
 1738452 S/D, MERC 300HP 350MAG MPI DE BRIII W/RSR

MX 6.2 MPI BR 3 (320 PHP) MCM STERN DRIVE

1687181 BOOT, PVC TERM INSUL CAP(485N9V02)RED
 1086990 OUTDRIVE UNIT, MERC BRAVO III 2.20:1
 708222 PROP, 14"X 26" SS BR3 RH
 708214 PROP, 15.25"X 26" SS BR3 LH
 1738461 S/D, MERC 320HP MX6.2 MPI DE BRIII W/RSR

5.0L MPI BR 3 (260 PHP) MCM STERN DRIVE

1687181 BOOT, PVC TERM INSUL CAP(485N9V02)RED
 1086990 OUTDRIVE UNIT, MERC BRAVO III 2.20:1
 1738460 S/D, MERC 260HP 5.0L MPI DE BRIII W/RSR

TWO BUCKET SEATS W/ SUN LOUNGER SEATING PKG

129189 ANGLE, ALUM 1/8"X 1.5"X 1.5"X 16'
 795286 CARPET, EXT 12 OZ CHAR #0326 LT NEEDLE PUNCH
 1736611 FOAM, P/C 240SD-03 BOW BLSTR W/PRT BKT
 1737700 FOAM, P/C 240SD-03 BOW CUSH W/PRT BKT
 1441260 FOAM, P/C BKT SEAT W/THGHS-01
 1645712 HIDEM, GRANDE FLAX 5/8"
 1621358 HIDEM, GRANDE PLATINUM 5/8"
 1750873 HOLDER, DRINK SS 2-RING 3" (KING)
 1154012 PEDESTAL, ALUM 7.75" RIBBED W/DELCP
 1690896 PLATE, ALUM 1/4"X 2"X 9.75" W/2" TAPPED HOLES
 1758957 PVC BOARD, 1/2"X 4'X 8' WHT INTEFOAM
 1642685 RAIL, GRAB BAJA 8 5/8" SS W/3" STUD
 1441195 SHELL, BKT SEAT SPBT/SPCR-01 W/THGHS
 1474956 SLEEVE, BKT SEAT SPBT/SPCR 01 THIGH-RISE
 1754578 SLIDE ASSY, SEAT MILLENIUM 10.5" M/H LONG HDL
 1579788 VINYL, GRANDE D FLAX EXP FLAT
 1579820 VINYL, GRANDE D PLATINUM EXP 1/4" F/B
 1579838 VINYL, GRANDE D PLATINUM EXP FLAT

2ND STEREO REMOTE CONTROL -TRANSOM

935080 CABLE, CLARION DUAL REMOTE "Y"
 1312750 CABLE, CLARION REMOTE EXTENSION CABLE 24'
 1755469 STEREO, REMOTE CNTRL W/DIG DSPLY FOR XMD3 BLK

PREMIER STEREO UPGRADE W/ AMP & SUBWOOFER

1750880 CABLE, RCA AUDIO 6' W/EFX-2 CONN W/NOISE SUPP
 1736988 HARNESS, 220/240SD-03 STEREO AMP
 1755999 SPEAKER, 10" SUBWOOFER ACOM W/WHT CVR
 1598853 STEREO, AMP CLARION APX400 4M

WAKE BOARD RACKS (MUST ORDER SPORTS TOWER)

1749928 SUPPORT, SR ALUM WAKEBOARD RACK ANODIZED

22" BRAVO 3 SET (2 COUNTER ROTATING PROPS)

708180 PROP, 14.25"X 22" SS BR3 RH
 708172 PROP, 15.75"X 22" SS BR3 LH

24" BRAVO 3 SET (2 COUNTER ROTATING PROPS)

708206 PROP, 14.25"X 24" SS BR3 RH
 708198 PROP, 15.5"X 24" SS BR3 LH

26" BRAVO 3 SET (2 COUNTER ROTATING PROPS)

708222 PROP, 14"X 26" SS BR3 RH
 708214 PROP, 15.25"X 26" SS BR3 LH

PUMP-OUT HEAD

129189 ANGLE, ALUM 1/8"X 1.5"X 1.5"X 16'
 256677 CLAMP, HOSE #12 1/2"-1.25" SS .505
 256693 CLAMP, HOSE #24 1"-2" SS .505
 1355585 DECK PLATE, WASTE CHR STRAIGHT NCK BLK CODE
 618702 GASKET, 1"OD X 3/4"ID X 1/16"
 595504 HEAD, PORTABLE MSD SANI POTTI PARCHMENT 3.OGL
 1501840 HOSE, CONDUIT/SPLIT 1" FLAME RETARDANT
 124719 HOSE, SANI/CHEMICAL TDX 5/8"
 123844 HOSE, SANI/SMOOTH WALL 1.5"
 522599 KEY, DECK PLATE CAP
 1758957 PVC BOARD, 1/2"X 4'X 8' WHT INTEFOAM
 126888 VENT, FUEL/WATER TANK 5/8"X 3"

VACUUM FLUSH HEAD W/HOLDING TANK

1545128 ADAPTER, SEATECH 1/2"UST X 15MM W/O WINGS
 256677 CLAMP, HOSE #12 1/2"-1.25" SS .505
 256693 CLAMP, HOSE #24 1"-2" SS .505
 1748071 COVER, HDPE 240SD-03 VACU FLUSH HEAD ACCESS
 1355585 DECK PLATE, WASTE CHR STRAIGHT NCK BLK CODE
 1214832 ELBOW, SEATECH 90DEG EQUAL 15MM
 266023 FUSE, BLADE TYPE ATO 20A
 1742192 HARNESS, 240SD-03 WASTE SYSTEM
 124719 HOSE, SANI/CHEMICAL TDX 5/8"
 123844 HOSE, SANI/SMOOTH WALL 1.5"
 1188945 PANEL, 260DA-99 WASTE SYS CNTRL
 1745173 TANK, W/HEAD@10GAL HTS W/SEND V/G WOOD
 1214824 TEE, SEATECH EQUAL 15MM
 1506716 TIE, CABLE 15.5" W/3/4" SCREW/PLAS WASHER
 1506732 TIE, CABLE 8.5" W/3/4" SCREW/PLAS WASHER
 1210160 TUBING, SEATECH 15MM X 11MM X 250' BLUE
 126888 VENT, FUEL/WATER TANK 5/8"X 3"

TWO TONE GELCOAT GRAPHICS

1690266 GEL COAT, YELLOW ARMORCOTE
 1597491 TAPE, SOLID 3/4" UM LT ANTELOPE
 1687508 THRU-HULL, SS 1 1/8"X 1 1/8" BARB
 1688448 THRU-HULL, SS 1 1/8"X 5/8" BARB

SIRIUS SATELLITE RADIO

1757933 ANTENNA, SHAKESPEARE SATELLITE RADIO ANTENNA
 1758105 STEREO, SIRIUS SATELLITE RECEIVER DSH920S

BATTERY ON / OFF SWITCH

140509 BOOT, ENG STARTER RED
 1324458 CABLE, BATT SET 240SD-00 W/OPT BATT SW
 1746901 LABEL, CAUTION BATTERY SWITCH OFF/ALT DAMAGED
 1726841 SWITCH, BATTERY ON/OFF NLCK N/DISC RV1

WATER SPORTS TOWER W/ STD BIMINI TOP

1745125 LABEL, SKI TOW ROPE BACKLASH
 929026 LIGHT, NAV A/R STERN 84" RG SLIP COLLAR
 1747881 TOWER, 240SD-04 ALUM WTR SPRTS
 1756513 TOWER, 240SD-04 WTR SPRTS HDWR KIT

FIRE SUPPRESSION SYSTEM - AUTOMATIC

153999 CONN, RING 16/14GA X 8R W/INSUL
 196337 HALON SYS, AUTOMATIC 150CF (1301 HALON)

BATTERY SWITCH-DUAL W/ 2ND TRAY SINGLE ENG.

1258979 BOOT, BATTERY CABLE 105C "T" BLK 4/0
 1216522 BOOT, BATTERY CABLE 4/0 RED 1"
 1431592 CABLE, BATT SET 240SD-00 W/DUAL BATT KIT
 130435 HOLDER, BATTERY GR27 BLK NYLON W/SS
 1726840 SWITCH, BATTERY SEL W/O LOCK W/O DISC REV 1

COCKPIT COVER W/ TONNEAU COVER

1753421 CANVAS, 240SD-04 BIM CPC W/SNPS CHARCOAL TW
 1753417 CANVAS, 240SD-04 TONNEAU CVR W/SNPS CHAR TW
 1092162 CANVAS, STRG BAG 12X38 CLOUDBRST TONNEAU/CKPT

BIMINI CANVAS PACKAGE

1753413 CANVAS, 240SD-04 AFT CURT W/SNPS CHARCOAL TW
 1753416 CANVAS, 240SD-04 CPC N/SNPS CHARCOAL TWEED
 1753412 CANVAS, 240SD-04 SIDE CURT SET W/SNPS CHAR TW
 1753417 CANVAS, 240SD-04 TONNEAU CVR W/SNPS CHAR TW
 1753411 CANVAS, 240SD-04 VISOR CURT 3PC CLR/CHAR TWD
 1092162 CANVAS, STRG BAG 12X38 CLOUDBRST TONNEAU/CKPT
 819524 CANVAS, STRG BAG 19.5X54 GREY 95

TRANSOM TRIM SWITCH

747261 SWITCH, TILT EXTERNAL MOUNT

C E OPTION GROUP

140509 BOOT, ENG STARTER RED
 1324458 CABLE, BATT SET 240SD-00 W/OPT BATT SW
 1347053 FOAM, P/C 240SD-00 CONV BILGE 2-PC CE OPT
 1745514 LABEL, PREVENT DISCHARGE OF POLLUTANTS
 1691479 MANUAL, OWNERS - SEA RAY INT'L 12-LANGUAGE
 935155 PLATE, CE OPT C:240SD/12PERSON/950KG
 1726841 SWITCH, BATTERY ON/OFF NLCK N/DISC RV1
 413070 TAPE, VAC PAK WHT (2"X 36YDS) PRESERVATION

C E FIRE SYSTEM - EUROPEAN DEALERS ONLY

934950 FIRE EXT SYS, FM200 100CF GAS-AUTO

2.43 TO 1 BRAVO 3 HIGH ALTITUDE GEAR RATIO

949198 OUTDRIVE (HI-ALT), MERC BR-III 2.43:1

FORWARD BIMINI TOP & BOOT

1753420 CANVAS, 240SD-04 CAMP TOP BOOT W/EMB CHAR TW

1753419 CANVAS, 240SD-04 CAMP TOP CHARCOAL TWEED

929026 LIGHT, NAV A/R STERN 84" RG SLIP COLLAR

OWNER ORIENTATION VIDEO - PAL FORMAT

1510544 VIDEO, 01 CANVAS INSTALLATION SUNDECK PAL

968339 VIDEO, 97 OWNER ORIENTATION SPBOAT PAL

FORWARD COCKPIT TABLE

876979 BASE, LEG/POST SURF MT ALUM

929836 POST, TABLE LEG 24.875" ANOD FLUTED

1758957 PVC BOARD, 1/2"X 4'X 8' WHT INTEFOAM

1148519 TABLE, T/F CKPT ROUND PRL 99

BOW FILLER CUSHION

1764584 BOARD, HDPE 1/2"X 4'X 8' PEARL

(NOTE: SEE UPH. SECTION FOR CUSHION DETAIL)

1355536 FOAM, P/C 240SD-00 BOW FILLER 2-PC SET

1745515 LABEL, WARNING DO NOT STAND/WALK THIS AREA

773630 MESH, WHITE 54"

180406 SLIDE, DELRIN #5 WHT 1-S LOCK

283069 VINYL FILM, PLAS 1MM X 5'X 830YD

1579788 VINYL, GRANDE D FLAX EXP FLAT

1579820 VINYL, GRANDE D PLATINUM EXP 1/4"F/B

1579838 VINYL, GRANDE D PLATINUM EXP FLAT

180182 ZIPPER, #5 DELRIN CONTINUOUS WHT

CANADIAN CONFORMITY STICKER

1741218 LABEL, STICKER 240SD CANADIAN CONFORMITY

BLACK CANVAS OPTION

1759824 CANVAS, 240SD-04 BIM TOP BLK

1759825 CANVAS, 240SD-04 BIM TOP BOOT EMB BLK