

2007 260DA

PARTS MANUAL

260

SUNDANCER®

International - 275 SUNDANCER



Sea Ray® Parts Manual, 2007 260 SUNDANCER MRP #
Sea Ray Boats, 2600 Sea Ray Blvd., Knoxville, TN 37914. For information call 1-800-SRBOATS or fax 1-314-213-7878 (USA and International).
Internet address: <http://www.searay.com>

Note: Not all accessories shown in pictures or described herein are standard equipment or even available as options.
Options and features are subject to change without notice.

Confirm the availability of all accessories and equipment with an authorized Sea Ray® dealer.

2007 260 SUNDANCER

TABLE OF CONTENTS



STANDARD & OPTIONAL LAYOUTS	PAGE
GELCOATS	1
EXTERIOR (HULL)	2, 3
EXTERIOR (HULL, TRANSOM AND SWIM PLATFORM)	4, 5
EXTERIOR (DECK)	6, 7, 8
EXTERIOR (WINDSHIELD)	9
EXTERIOR (SPOILER)	10
EXTERIOR (GRAPHICS) NO COLORED HULL - BLACK	11
EXTERIOR (GRAPHICS) NO COLORED HULL - BLUE	12
EXTERIOR (GRAPHICS) BLUE COLORED HULL	13
EXTERIOR (GRAPHICS) PEWTER COLORED HULL	14
EXTERIOR (GRAPHICS) BLACK COLORED HULL	15
CANVAS (BLACK)	16, 17
CANVAS (BLUE)	18, 19
CANVAS (WHITE)	20, 21
CANVAS (BLACK) OPTIONAL SPOILER	22, 23
CANVAS (BLUE) OPTIONAL SPOILER	24, 25
CANVAS (WHITE) OPTIONAL SPOILER	26, 27
CANVAS (BLACK) OPTIONAL SOFT TOP	28, 29
CANVAS (BLUE) OPTIONAL SOFT TOP	30, 31
CANVAS (WHITE) OPTIONAL SOFT TOP	32, 33
COCKPIT (PORT VIEW)	34, 35
MAIN DC BREAKER PANEL	36
COCKPIT (STARBOARD VIEW)	37, 38
COCKPIT (HELM)	39, 40, 41
INSTRUMENT PANEL (GAS & DIESEL)	42
INSTRUMENT PANEL PRT & STB	43
SWITCH PANEL	44, 45
NORTHSTAR NS100SS VHF RADIO	46
COCKPIT SNAP-IN CARPET LINER OPTION	47
COCKPIT (UPHOLSTERY)	48, 49
FORWARD STATEROOM	50, 51
FORWARD STATEROOM (UPHOLSTERY)	52, 53
HEAD	54, 55
GALLEY	56, 57, 58
GALLEY (REFRIGERATOR)	59, 60
AC MAIN DISTRIBUTION PANEL 60HZ CYCLE	61, 62
AC MAIN DISTRIBUTION PANEL 50HZ CYCLE	63, 64
GALLEY (UPHOLSTERY)	65, 66
MID STATEROOM	67, 68
MID STATEROOM (UPHOLSTERY)	69, 70
MULTI-INFO PACKET	71
RIVERVIEW HARDWARE	72, 73
RIVERVIEW HARDWARE (CONTINUED 1)	74
BILGE (GAS ENGINES)	75, 76, 77
BILGE (DIESEL ENGINES)	78, 79
AIR CONDITIONING SYSTEM	80, 81
GENERATOR SYSTEM (GAS)	82, 83
GENERATOR SYSTEM (DIESEL)	84, 85
STEERING SYSTEM	86, 87
FUEL SYSTEM (GAS)	88, 89
FUEL SYSTEM (DIESEL)	90, 91
WATER SYSTEM (COCKPIT)	92, 93
WATER SYSTEM (COCKPIT) WITH TRANSOM SHOWER	94, 95
WATER SYSTEM (GALLEY)	96, 97
WATER SYSTEM (STARBOARD HEAD)	98, 99

	PAGE
WATER SYSTEM (BILGE)	100, 101
SEWAGE SYSTEM	102, 103
DRAINAGE SYSTEM (INTERIOR AND COCKPIT)	104
DRAINAGE SYSTEM (BILGE PUMP AND SUMP)	105, 106
GRAY WATER SYSTEM	107, 108

2007 260 SUNDANCER

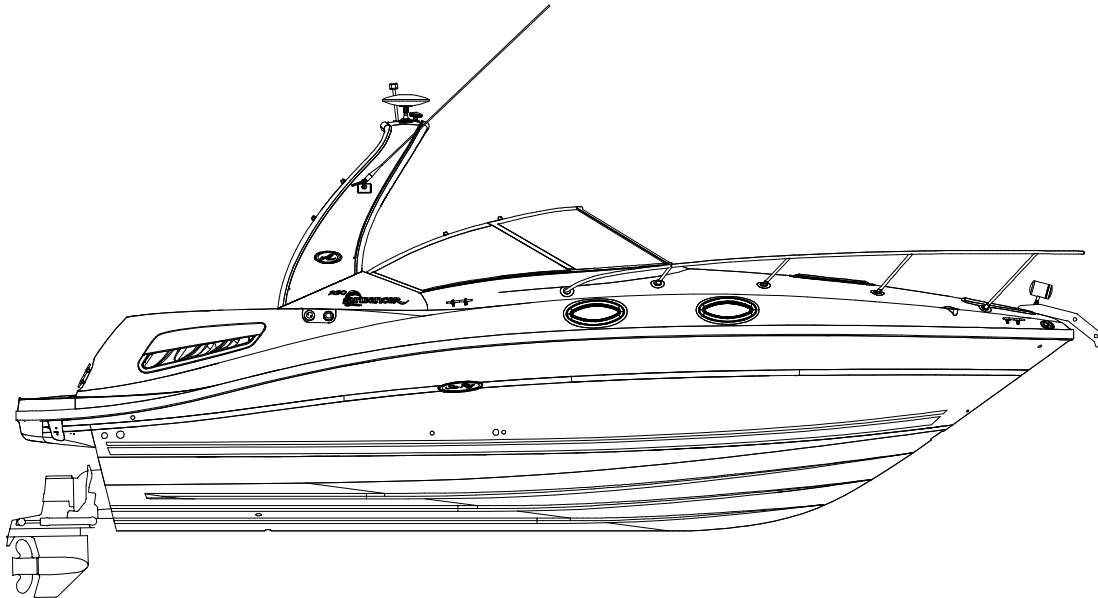
TABLE OF CONTENTS



OPTIONS - PARTS LIST	PAGE
D6-310DPH (298 PHP) VOLVO DIESEL STERN DR.....	109
350 MAG MPI BR 3 (300 PHP) MCM STERN DR.....	109
MX 6.2L MPI BR 3 (320 PHP) MCM STERN DRIVE	109
496 MAG BR 3 (375 PHP) MCM STERN DRIVE.....	109
MX 6.2L MPI HORIZON BR3 (320 PHP) STERN DR	109
350 MAG MPI HORIZON BR 3 (300 PHP) MCM SD.....	109
FLAG POLE & BASE, U.S. FLAG.....	109
AUSTRALIAN BUILDERS PLATE.....	109
PREMIER STEREO UPGRADE - POLK MOMO SYSTEM.....	109, 110
2ND STEREO REMOTE CONTROL -TRANSOM.....	110
GENERATOR 4.0 EOZ KOHLER - DIESEL - 120V/60	110
GENERATOR 3.5 EFOZ KOHLER -DIESEL - 220V/50.....	110
ZZ UNREFERENCED ACCESSORY GROUP ITEMS.....	110
CAMPER CANVAS PACKAGE.....	110
BOTTOM PAINT - NO ADDITIONAL CHARGE.....	110
COCKPIT COVER.....	110
TWO TONE HULL (NO BOTTOM PAINT)	110
SPOTLIGHT, 5" REMOTE CONTROLLED.....	110
GENERATOR 4.0 EFGD KOHLER - GAS - 220V/50HZ	110
GENERATOR 5.0 ECD KOHLER - GAS - 120V/60HZ.....	110, 111
MACERATOR W/ SEACOCK INTERLOCK SYSTEM.....	111
COCKPIT SUNPAD FILLER WITH TABLE.....	111
BOATER SAFETY KIT.....	111
FIRE SUPPRESSION FM 200 - INTERNATIONAL.....	111
SNAP-IN CARPET COCKPIT.....	111
GRAY WATER SYSTEM.....	111
UNDER WATER SWIM PLATFORM LIGHTING	111
SHOWER - TRANSOM - HOT & COLD.....	111
TV 10.4" FLIP DWN W/DVD-12V NTSC / ZF ONLY	111
GPS / CHARTPLOTTER - NAVMAN	111
FIBERGLASS SPORT SPOILER W/ OVERHEAD LIGHTS.....	111
SOFT TOP CANVAS OPTION	111, 112
GEL-COATED DASH.....	112
BOTTOM PAINT (STERN DRIVES) WHITE HULL ONLY.....	112
ANCHOR CHUTE W/HAWSE PIPE.....	112
COCKPIT TABLE.....	112
AIR CONDITIONING / HEATING-7000BTU-120V/60.....	112
AIR CONDITIONING / HEATING-7000BTU- 220V/50.....	112
220 VOLT / 50 CYCLE ELECTRICAL SYSTEM.....	112
CD CHANGER, 6 DISC.....	112
INT'L TRAILER - GALV.W/ ROLLERS.....	112
INT'L TRAILER - PAINTED W/ BUNK.....	113
INT'L TRAILER-PAINTED W/ROLLERS.....	113
INT'L TRAILER - GALV. W/ BUNK.....	113
WINDLASS - ROPE / CHAIN.....	113
WINDLASS - CHAIN.....	113
C E OPTION GROUP	113
2.2 TO 1 BRAVO 3 HIGH ALTITUDE GEAR RATIO	113
2.43 TO 1 BRAVO 3 HIGH ALTITUDE GEAR RATIO.....	113
COLORED HULL.....	113
VACUUM FLUSH HEAD W/ DIRECT OVER BOARD INTL.....	113
ALCOHOL / ELEC.STOVE- 120V/60 (1 BURNER).....	113
ALCOHOL / ELEC.STOVE- 220V/50 (1 BURNER).....	113
CANADIAN CONFORMITY STICKER.....	113
INTERNATIONAL IN-SERVICE CHECKLIST.....	113

	PAGE
INTERIOR CARPET RUNNERS.....	113
"275DA" MODEL DESIGNATORS.....	113

GELCOATS



GELCOATS

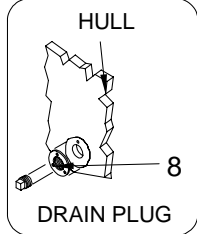
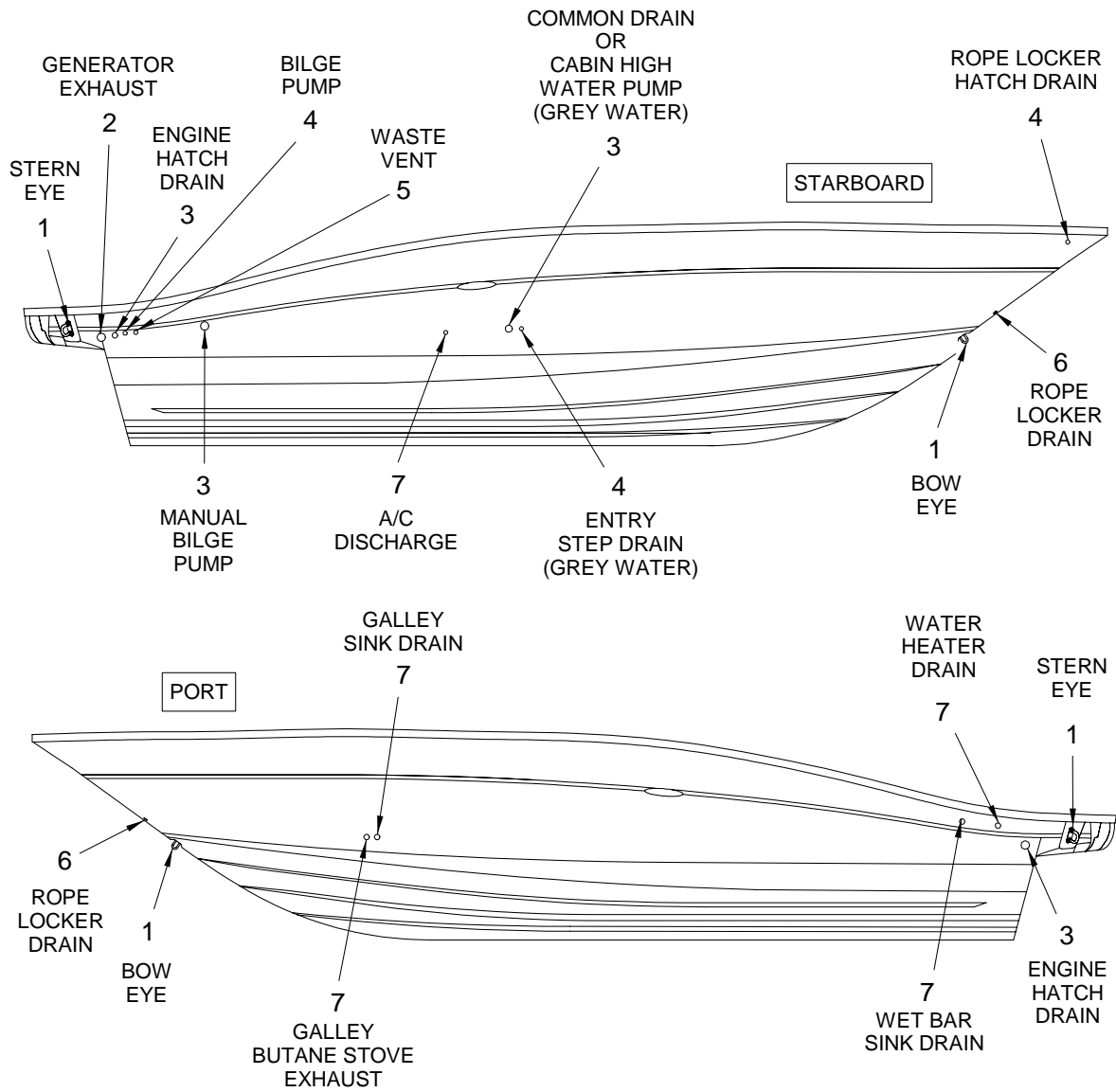
- 1880549 GEL COAT, ARCTIC WHITE MMHP 5799W90073
(HULL# 1257 -> UP)
(HULL, DECK AND SMALL PARTS)
- 1839469 GEL COAT, ARCTIC WHITE MMSTD 5797W90214
(HULL# 1001 -> 1256)
(HULL, DECK AND SMALL PARTS)
- 1425347 GEL COAT, ENVIROTECH SR BILGE PEARL
(BILGE, HULL, DECK AND SMALL PARTS UNDERSIDE COLOR)
- 1837243 GEL COAT, PEARL AOC
(LINER)
- 1883602 GEL COAT, BLUSHGUARD FLAG BLUE 5769A90040A
(FLAG BLUE COLORED HULL W/BOTTOM PAINT)
- 1799711 GEL COAT, MMHP MIDNIGHT BLUE
(MIDNIGHT BLUE COLORED HULL W/ BOTTOM PAINT)
(MIDNIGHT BLUE 2 TONE HULL - NO BOTTOM PAINT)
- 1799781 GEL COAT, NEW PEWTER VALSPAR
(PEWTER COLORED HULL W/ BOTTOM PAINT)
(PEWTER TWO TONE HULL - NO BOTTOM PAINT)
- 1690845 GEL COAT, JET BLK
(BLACK COLORED HULL W/ BOTTOM PAINT)
(BLACK TWO TONE HULL - NO BOTTOM PAINT)
- 1801663 GEL COAT, CINNABAR PEARL
(CINNABAR COLORED HULL W/ BOTTOM PAINT)
(CINNABAR TWO TONE HULL - NO BOTTOM PAINT)
- 1799861 GEL COAT, NICKLE MMHP
(GEL-COATED DASH)
- 894782 GEL COAT, SNDSTN GRANICOAT
(SANDSTONE - GALLEY COUNTER TOP)

- 992677 GEL COAT, BURNT AMBER GRANICOAT SR21
(BURNT AMBER - GALLEY COUNTER TOP)

BOTTOM PAINT

- 1355338 PAINT, BOTTOM BLACK HYDROCOAT
- 868893 PAINT, PRIMER SANDLESS #6999
- 868901 THINNER, BOTTOM PAINT

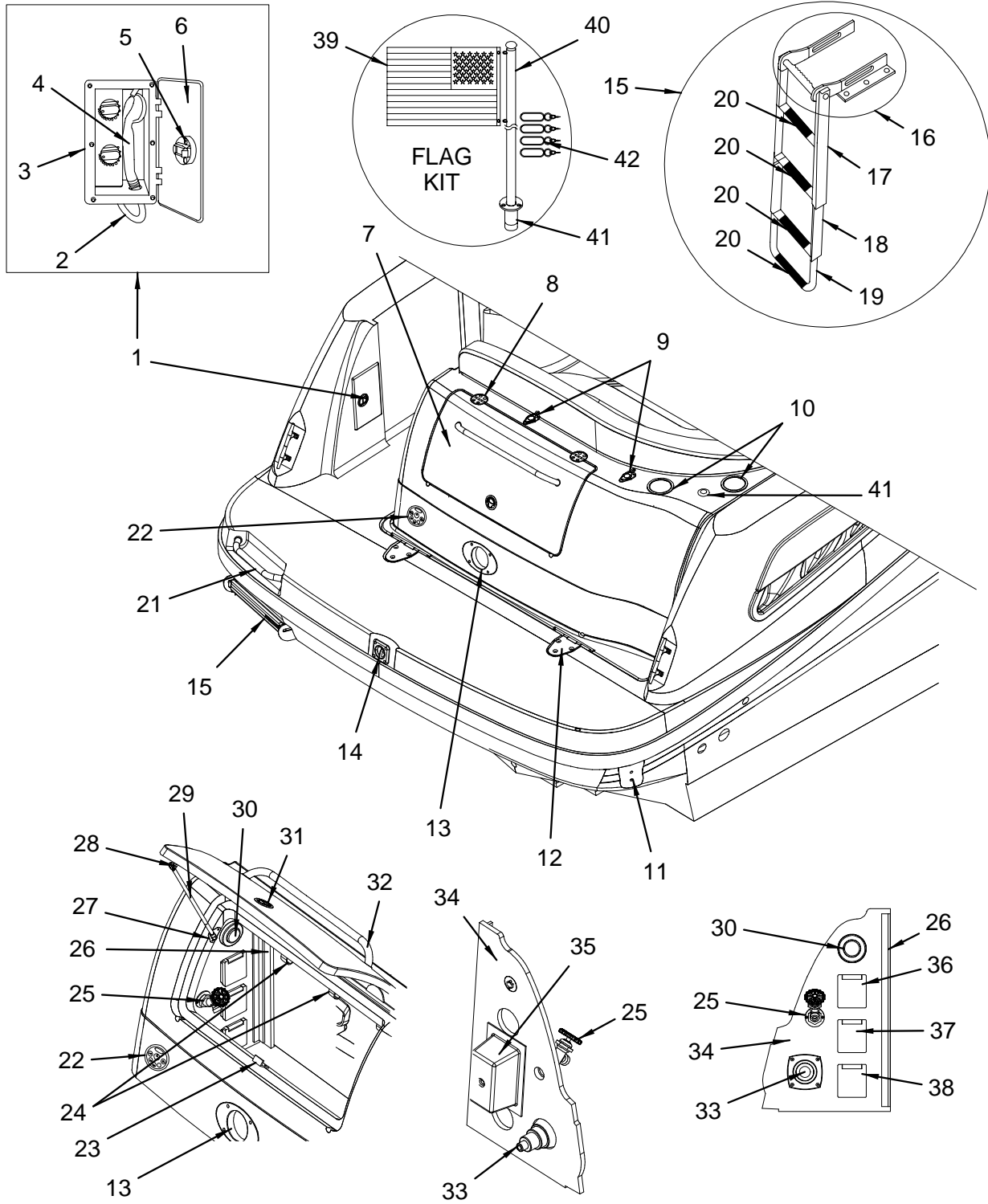
EXTERIOR (HULL)



EXTERIOR (HULL)

- 1 126599 EYE, STERN 1/2"X 3 7/16" W/BACKING PLATE
- 2 1769255 THRU-HULL, SS EXHAUST 2" W/SS LIP
(GENERATOR)
- 1835350 THRU-HULL, FLAP ONLY SS EXH 2" X-LONG
(PART OF 1769255)
- 3 1778928 THRU-HULL, SS 1.5"BARB SHORT W/RBR GASKET
- 4 1778931 THRU-HULL, SS 1 1/8"BARB SHORT W/RBR GASKET
- 5 1433176 VENT, FUEL/WATER SS 5/8" 90DEG FLSH MNT
- 6 533430 VENT, CLAMSHELL ROPE LCKR 2"X2"
- 7 1778933 THRU-HULL, SS 5/8"BARB SHORT W/RBR GASKET
- 8 1690996 FLANGE, RED BRASS DRAIN PLUG 1.25"
861823 PLUG, RED BRASS DRAIN PLUG ONLY 1/2"MPT
(PART OF 1690996)

EXTERIOR (HULL, TRANSOM AND SWIM PLATFORM)



EXTERIOR (HULL, TRANSOM AND SWIM PLATFORM)

1	736702	FAUCET, WASHDOWN BOX W/MIXER (AQUATIK) VERT
	1298710	FAUCET, CARTRIDGE CERAMIC 90DEG LH (PART OF 736702)
	1302504	FAUCET, CARTRIDGE CERAMIC 90DEG RH (PART OF 736702)
2	1302595	FAUCET, WASHDOWN HOSE W/FPT ONLY(AQUATIK) (PART OF 736702)
3	1302579	FAUCET, WASHDOWN SHOWER UNIT ONLY (AQUATIK) (PART OF 736702)
4	1302603	FAUCET, WASHDOWN SPRAYER HEAD ONLY(AQUATIK) (PART OF 736702)
5	1742646	LATCH, WASHDOWN DOOR (AQUATIK) (PART OF 736702)
6	1302587	FAUCET, WASHDOWN DOOR ONLY (AQUATIK) (PART OF 736702)
7	1872167	260DA 07,LID,TRNSM WALL FBRGLS
8	1338821	HINGE, SS STRAP 2.56" X 2.56" X 1/4"
9	1691097	LIGHT, NAV A/R STERN 72" FLDABLE 7DEG 02 (NOTE: NOT USED WITH SPOILER)
	1771001	LIGHT, BASE ROUND NAV STERN LIGHT CHR W/CONN (NOTE: NOT USED WITH SPOILER)
	1800868	LIGHT, NAV A/R LENS CVR ONLY ANTI-GLARE (PART OF 1691097)
	1628536	BULB, REPL FOR #1603398 (REPLACEMENT BULB FOR 1691097)
10	1812917	HOLDER, DRINK SS 4"X 3" MUG SZ PLSHD RIM
11	126599	EYE, STERN 1/2"X 3 7/16" W/BACKING PLATE (BOW AND STERN EYES)
	1773136	PLATE, AABD BACKING 1/2"BOW/STERN EYE N/TREV
12	1683753	HINGE, SS 320DA-02 CKPT HATCH
13	981092	INSERT, HDPE OVAL HAWSE HOLE ARW
14	1044585	SKI EYE, TRANSOM FLUSH MOUNT
15	1854250	LADDER, SWIM 4-STEP SS UNDRMNT RND 5DEG (HULL# 1262 -> UP)
	1763085	LADDER, SWIM 4-STEP SS UNDRMNT TELESCPN 5DEG (HULL# 1001 -> 1261)
16	1759988	LADDER, SWIM SLIDING GUDGEON 19.25"X 19" SS (PART OF 1763085)
17	1759989	LADDER, SWIM SS TELESCOP 16.5"X 16" UPR (PART OF 1763085)
18	1759990	LADDER, SWIM SS TELESCOP 16.5"X 16" MID (PART OF 1763085)
19	1759984	LADDER, SWIM SS TELESCOP LWR 16.5"X 14.5" (PART OF 1763085)
20	1759993	LADDER, SWIM TREAD (CUT TO LNGTH UPR/MID/LWR) (PART OF 1763085)
21	1691260	RAIL, GRAB 13.75" RND 1" TUBE SS
22	1803477	STEREO, REMOTE CNTRL N/D SPL BLK FACE/SS BZL (2ND STEREO REMOTE CONTROL -TRANSOM) (PREMIER STEREO UPGRADE - POLK MOMO SYSTEM)
	935080	CABLE, CLARION DUAL REMOTE "Y" (2ND STEREO REMOTE CONTROL -TRANSOM) (PREMIER STEREO UPGRADE - POLK MOMO SYSTEM)
	1312750	CABLE, CLARION REMOTE EXTENSION CABLE 24' (2ND STEREO REMOTE CONTROL -TRANSOM) (PREMIER STEREO UPGRADE - POLK MOMO SYSTEM)
23	1781435	PLATE, CUP BRKT 2" LONG SCREW W/HDWR PKG
24	855809	ROPE, DOCKLINE STRAP WHT W/HDWR (SHORT STYLE)
25	1096262	FAUCET, SILLCOCK WASHDOWN (WHITECAP)
26	991612	ANGLE, PVC 2"X 2"X 1/4"X 10" WHT
27	634592	BRACKET, SS GAS CYL FLAT W/BALL STUD
28	634550	BRACKET, SS GAS CYL 90DEG L-BRKT W/BALL LONG
29	829036	CYLINDER, GAS 40PSI 15"EXT X 9.5"COMP (HULL# 1248 -> UP)
	1385038	CYLINDER, GAS SS 60PSI 20"EXT X 12"COMP (HULL# 1223 -> 1247)
	1348903	CYLINDER, GAS SS 20PSI 15"EXT X 9"COMP (HULL# 1001 -> 1222)
30	1771003	LIGHT, COURTESY RND W/FRST LENS 12V/5W W/CONN
	1192368	BULB, REPL FOR #0840868 12V/5W (REPLACEMENT BULB FOR 1771003)
31	1781434	LATCH, FLUSH MNT N/LOCKING SLAM SS
	1781435	PLATE, CUP BRKT 2" LONG SCREW W/HDWR PKG
32	1747838	RAIL, GRAB 24" STRMLN W/STUD FLANGES 316L
33	141168	INLET, WATER W/PRESS REGULATOR WHT
34	1772803	BULKHD, LDPVC 260DA-05 TRNSM WALL SHR PWR/TV (TV 10.4" FLIP DWN W/DVD-12V NTSC / ZF ONLY)
35	634998	BOX, V/F 7.75"X 5"X 3" BLANK
36	133694	INLET, PHONE/TV CABLE COMBO WHT (TV 10.4" FLIP DWN W/DVD-12V NTSC / ZF ONLY)
37	829416	INLET, "MAIN BRKR" HOUSING WHT
	582445	BRKR/TOGGLE, 2-POLE AC MED DELAY 35A
	826867	BRKR/TOGGLE, 2-POLE AC MED DELAY 25A (220 VOLT / 50 CYCLE ELECTRICAL SYSTEM)

38	133678	INLET, SHORE POWER WHT 125V 30A
	1244367	CORD SET, 120V/30A 50FT POWERCORD PLUS
	133652	ADAPTER, SHORE CORD 125V/30A(F)-125V/15A(M)
	206276	INLET, SHORE POWER WHT 220V/50H 16A (220 VOLT / 50 CYCLE ELECTRICAL SYSTEM)
	206268	CORD SET, 220V/50H 16A 50FT (220 VOLT / 50 CYCLE ELECTRICAL SYSTEM)
39	1838426	FLAG, USA 16" X 24" (FLAG POLE & BASE, U.S. FLAG)
40	1838431	POLE, FLAGSTAFF SS MAGNETIC SPRTBT/SPRTCRSR (FLAG POLE & BASE, U.S. FLAG)
	590646	CLIP, POLE STRG BLK - MAST LIGHT (USED TO STORE FLAG POLE INSIDE TRANSOM STORAGE) (FLAG POLE & BASE, U.S. FLAG)
41	1848879	HOLDER, FLUSH MOUNT MAGNETIC STERN FLAG POLE (FLAG POLE & BASE, U.S. FLAG)
42	1854249	CLIP, FLAG KEY RING 302SS (HULL# 1135 -> UP) (FLAG POLE & BASE, U.S. FLAG)
	706747	CLIP, FLAG (HULL# 1001 -> 1134) (FLAG POLE & BASE, U.S. FLAG)

COAST GUARD KIT

1848242	KIT, SAFETY PACKAGE-SPCRUIS W/WHT FNDRS/LINE
---------	--

LABELS

1745125	LABEL, SKI TOW ROPE BACKLASH
1745162	LABEL, LEAVING DOCKSIDE WTR CONNECTED WARNING
1745519	LABEL, DANGER SHUT OFF ENG WHEN NEAR SWIMMERS
1811367	LABEL, DANGER CO TRANSOM 06

NOT SHOWN

1774634	LIGHT, UNDRWTR 12V/50W HALOGEN SEALED BEAM (UNDER WATER SWIM PLATFORM LIGHTING) (REPLACEMENT BULB NOT SOLD - SEALED BEAM APPLICATION)
122853	FITTING, WATER TIGHT OUTLET FOR 5/16" CABLE
1690996	FLANGE, RED BRASS DRAIN PLUG 1.25"

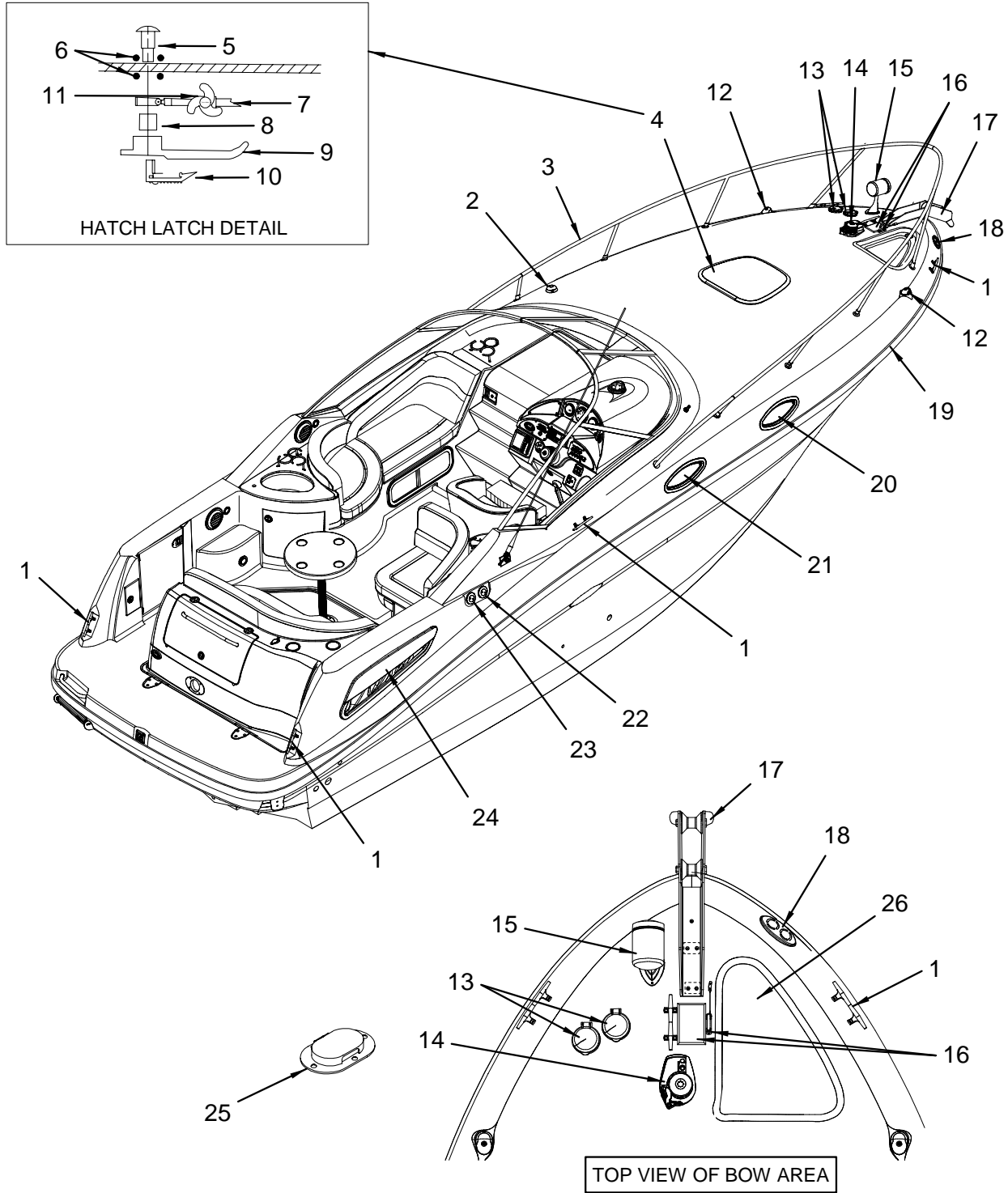
TRAILER

1755983	TRAILER, 270SD/260DA INT'L PAINTED W/BUNK (INT'L TRAILER - PAINTED W/ BUNK)
1755984	TRAILER, 270SD/260DA INT'L PAINTED W/ROLLER (INT'L TRAILER-PAINTED W/ROLLERS)
1755985	TRAILER, 270SD/260DA INT'L GALV W/BUNK (INT'L TRAILER - GALV. W/ BUNK)
1755986	TRAILER, 270SD/260DA INT'L GALV W/ROLLER (INT'L TRAILER - GALV.W/ ROLLERS)

VAC PACK

1231307	VINYL FILM, 260DA-99 PLAS CVR
524868	VINYL FILM, VAC PACK ZIPPER DOOR 30"X 48"WHT
1727510	EMBLEM, VACPAC SR LOGO W/ISO/CE LRG
413070	TAPE, VAC PAK WHT (2"X 36YDS) PRESERVATION
663765	BUBBLE PACK, ADH 4"X 300'
1815922	TAPE, POLYMASK 3M 6"X 150'
1888333	TAPE, POLYMASK 3M 48"X 150'

EXTERIOR (DECK)



EXTERIOR (DECK)

1	1777987	CLEAT, 8" SEA RAY SS 2-BOLT	15	1756641	HARNES, SPOTLIGHT ASSY 25" W/MALE CONN (SPOTLIGHT, 5" REMOTE CONTROLLED)	
	1473040	PLATE, BACKING UNIVERSAL 3/16"		731000	FUSE, BLADE TYPE CLOSED 10A (SPOTLIGHT, 5" REMOTE CONTROLLED)	
2	1757933	ANTENNA, SHAKESPEARE SATELLITE RADIO ANTENNA	16	978015	GUARD, HDPE 1/4"X 4"X 6" CHAIN (LOFRANS) (WINDLASS - ROPE/CHAIN)	
3	1764766	RAIL, BOW 260DA-05 CMPLT WELDED		697508	EYE, BOW 3/8"X 2.75" (ANCHOR CHUTE W/HAWSE PIPE) (WINDLASS - CHAIN)	
	1210038	PLATE, BACKING BOW RAIL ALUM 2" ROUND		1473040	PLATE, BACKING UNIVERSAL 3/16" (ANCHOR CHUTE W/HAWSE PIPE) (WINDLASS - ROPE/CHAIN) (WINDLASS - CHAIN)	
4	1688217	HATCH, DECK TRAPEZOID ARC WHT (NOTE: HATCH PARTS ORDER DIRECT FROM TAYLOR)		1777987	CLEAT, 8" SEA RAY SS 2-BOLT (ANCHOR CHUTE W/HAWSE PIPE) (WINDLASS - ROPE/CHAIN)	
5	632794	HATCH, ALL HATCH SIZES MUSHROOM OR POST (PART OF 1688217)		17	1197938	DAVIT, ANCHOR W/ROLLER 260DA-99 (ANCHOR CHUTE W/HAWSE PIPE) (WINDLASS - ROPE/CHAIN)
6	632778	HATCH, O-RING (PART OF 1688217)		1797126	DAVIT, ANCHOR ROLLER WHL ONLY 260DA-99 (PART OF 1197938)	
7	701466	HATCH, ARM UNIV PIVOT ALL SIZES (PART OF 1688217)		1797127	DAVIT, ANCHOR ROLLER WHL TUBE 260DA-99 (PART OF 1197938)	
8	802819	HATCH, ALL HATCH SIZES PIVOT LATCH ADAPTER (PART OF 1688217)		1797128	DAVIT, ANCHOR ROLLER WHL BOLT 260DA-99 (PART OF 1197938)	
9	802801	HANDLE, DECK HATCH LATCHING (PART OF 1688217)		1797129	DAVIT, ANCHOR ROLLER WHL BOLT NUT 260DA-99 (PART OF 1197938)	
10	802827	HATCH, HATCH HANDLE (PART OF 1688217)		1733352	ANCHOR, 25LB PLOW (ANCHOR CHUTE W/HAWSE PIPE) (WINDLASS - ROPE/CHAIN) (WINDLASS - CHAIN)	
11	1797142	HATCH, DECK KNOB PHYSCHOKNOB 05 (PART OF 1688217)		1145275	ANCHOR SHACKLE, JAW/JAW SWIVEL HVY DTY 3/8" (ANCHOR CHUTE W/HAWSE PIPE) (WINDLASS - CHAIN)	
12	1771013	LIGHT, NAV SIDE SS HORZ 12V W/CONN		144956	ROPE, NYLON ANCHOR LINE W/THIMBLE 1/2"X 150" (ANCHOR CHUTE W/HAWSE PIPE)	
	1798179	LIGHT, NAV SIDE SS LENS CVR ONLY (RED/PRT) (PART OF 1771013)		819334	HOOK, SNAP 5/16"X 3 1/8" SS (ANCHOR CHUTE W/HAWSE PIPE) (WINDLASS - ROPE/CHAIN) (WINDLASS - CHAIN)	
	1798182	LIGHT, NAV SIDE SS LENS CVR ONLY (GRN/STB) (PART OF 1771013)		805499	LANYARD, CABLE ANCHOR 1/8"X 16"SS (ANCHOR CHUTE W/HAWSE PIPE) (WINDLASS - ROPE/CHAIN) (WINDLASS - CHAIN)	
	1423946	BULB, REPL FOR #1414895 12V (REPLACEMENT BULB FOR 1771013)		18	1837054	HORN, SGL CONCEALED W/SS GRILL/CONN
13	1874391	WINDLASS, FOOT SW DOWN WHT (HULL# 1081 -> UP) (PART OF 1849144)		1840005	HORN GRILL, SGL CONCEALED SS (PART OF 1837054)	
	1874392	WINDLASS, FOOT SW UP WHT (HULL# 1081 -> UP) (PART OF 1849144)		1836433	HARNES, HORN ADAPTOR FIAMM	
	757765	WINDLASS FOOTSWITCH, HVY DUTY W/SAFTY CVR WHT (HULL# 1001 -> 1080) (WINDLASS - ROPE/CHAIN) (WINDLASS - CHAIN)		19	1813407	RUBRAIL, PVC ARC WHT 17"SS INSERT 1.825"WIDE
	1687161	COVER, PLAS SAFETY WINDLASS FOOTSWITCH (HULL# 1001 -> 1080) (PART OF 757765)		1080100	INSERT, RUB RAIL SS 3/4"X 12" (.062/304SS)	
14	1849144	WINDLASS, ASTER 500 W/2 FOOT SW & SOLENOID (HULL# 1081 -> UP) (WINDLASS - ROPE/CHAIN) (WINDLASS - CHAIN)		20	1453992	PORTLIGHT, OPENING ALL SS 3/8"-7/8" MOD REV1
	1874396	WINDLASS, SOLENOID 12V ASTER500/TOTEM600/1000 (PART OF 1849144)		866434	KNOB, PORTLIGHT KNOB ONLY (BOMAR) (PART OF 1453992)	
	1874397	WINDLASS, SOLENOID 24V ASTER500 (PART OF 1849144)		1107044	PORTLIGHT, HANDLES QUICKDOGS (BOMAR) (PART OF 1453992)	
	1874398	WINDLASS, STRAIGHT HANDLE ASTER500 12V/24V (PART OF 1849144)		1314459	PORTLIGHT, GASKET SATURATED FOAM (PART OF 1453992)	
	1727010	WINDLASS, RP/CHN MARLINI LO-PRO W/LONGSTUD (HULL# 1001 -> 1080) (WINDLASS - ROPE/CHAIN) (WINDLASS - CHAIN)		1331313	PORTLIGHT, SCREEN 3/8"X 7/8"	
	1762713	WINDLASS, CRANK HANDLE MARLIN LO-PRO (PART OF 1727010)		1331735	PORTLIGHT, GASKET ONLY (BOMAR) (PART OF 1453992)	
	1745351	ROPE/CHN KT, LOFRANS 1/2"X 100'1/4"X 20'REV1 (WINDLASS - ROPE/CHAIN)		1331750	PORTLIGHT, LENS ONLY (BOMAR) (PART OF 1453992)	
	1801007	CHAIN, HIGH TEST 1/4"X 100'GALV (WINDLASS - CHAIN)		1513183	TRIM RING, PORTLIGHT 3/8" SS (PART OF 1453992)	
	1048743	CHAIN STOP, SS W/LANYARD (WINDLINE) (WINDLASS - CHAIN)		21	1454008	PORTLIGHT, OPENING ALL SS 3/8"-7/8" FROS REV1
	1788185	WINDLASS SOLENOID, LOFRANS CONTROL BOX 05 (HULL# 1001 -> 1080) (WINDLASS - ROPE/CHAIN) (WINDLASS - CHAIN)		1331727	PORTLIGHT, LENS ONLY FROSTED (BOMAR) (PART OF 1454008)	
	644609	SOLENOID, MAGNET LATCHING 12V 100A/500A W/HDW (WINDLASS - ROPE/CHAIN) (WINDLASS - CHAIN)		1107044	PORTLIGHT, HANDLES QUICKDOGS (BOMAR) (PART OF 1454008)	
	651869	SOLENOID, MAGNET LATCHING LEAD ONLY (WINDLASS - ROPE/CHAIN) (WINDLASS - CHAIN)		1314459	PORTLIGHT, GASKET SATURATED FOAM (PART OF 1454008)	
	579573	CLIP, RETAINER BOAT HOOK 5/8"TO 1 1/4" (WINDLASS - ROPE/CHAIN) (WINDLASS - CHAIN)		1331313	PORTLIGHT, SCREEN 3/8"X 7/8"	
	1785696	SHIM, HDPE 1/2"X 4 3/8" WNDLS MTR MNT RND ARW (WINDLASS - ROPE/CHAIN)		1331735	PORTLIGHT, GASKET ONLY (BOMAR) (PART OF 1454008)	
	1746896	LABEL, DANGER STAY CLEAR OF MOVING PARTS (WINDLASS - ROPE/CHAIN) (WINDLASS - CHAIN)		1513183	TRIM RING, PORTLIGHT 3/8" SS (PART OF 1454008)	
15	1754590	SPOTLIGHT, 5" SS GUEST (SPOTLIGHT, 5" REMOTE CONTROLLED)		866434	KNOB, PORTLIGHT KNOB ONLY (BOMAR) (PART OF 1454008)	
	1759435	BULB, REPL FOR #1754590 SPOTLIGHT (REPLACEMENT BULB FOR 1754590)	22	1109362	DECK PLATE, WATER CHR W/VNT 45DG NCK BLUE	
	1755306	CONTROL, SEARCH LIGHT W/HARNES (SPOTLIGHT, 5" REMOTE CONTROLLED)		1405844	DECK PLATE, CAP W/CHAIN WATER (PART OF 1109362)	
				1068592	KEY, DECK PLATE CAP	
			23	1355585	DECK PLATE, WASTE CHR STRAIGHT NCK BLK CODE	
				1474790	DECK PLATE, CAP W/GASKET (PART OF 1355585)	

23	1068592	KEY, DECK PLATE CAP (PART OF 1355585)
24	1767654	COVER, T/F 260DA-05 DECK VENT STB ARW
	1767653	COVER, T/F 260DA-05 DECK VENT PRT ARW
	716159	VENT, PLAS GRILL 4" BLK
	124016	HOSE, VENT/BLOWER 4" EX HVY DTY
	1770923	VENT, F/G 260DA-05 DECK STB ARW SLOTTED
	1770924	VENT, F/G 260DA-05 DECK PRT ARW SLOTTED
	1408210	MESH, BLACK VINYL NET
25	168468	DECK PIPE, ROPE/DECK PIPE SS (ANCHOR CHUTE W/HAWSE PIPE)
26	1872460	260DA 07,HATCH,R/L FBRGLS
	844753	HINGE, SS CONT 2"X 15" W/1/8" PIN
	1441955	PLATE, STRIKER EXTENDED
	1781437	LATCH, COMPRESSION 2"W/LOCKING SS
	1781440	PLATE, DEEP BRKT 2"W/HDWR PKG SS
	1783661	CATCH, PAWL 2"STRAIGHT LONG SS
	1872166	260DA 07,STRAP,ANCHOR HATCH BLK
	156893	WEBBING, POLYPROPYLENE 1" BLACK

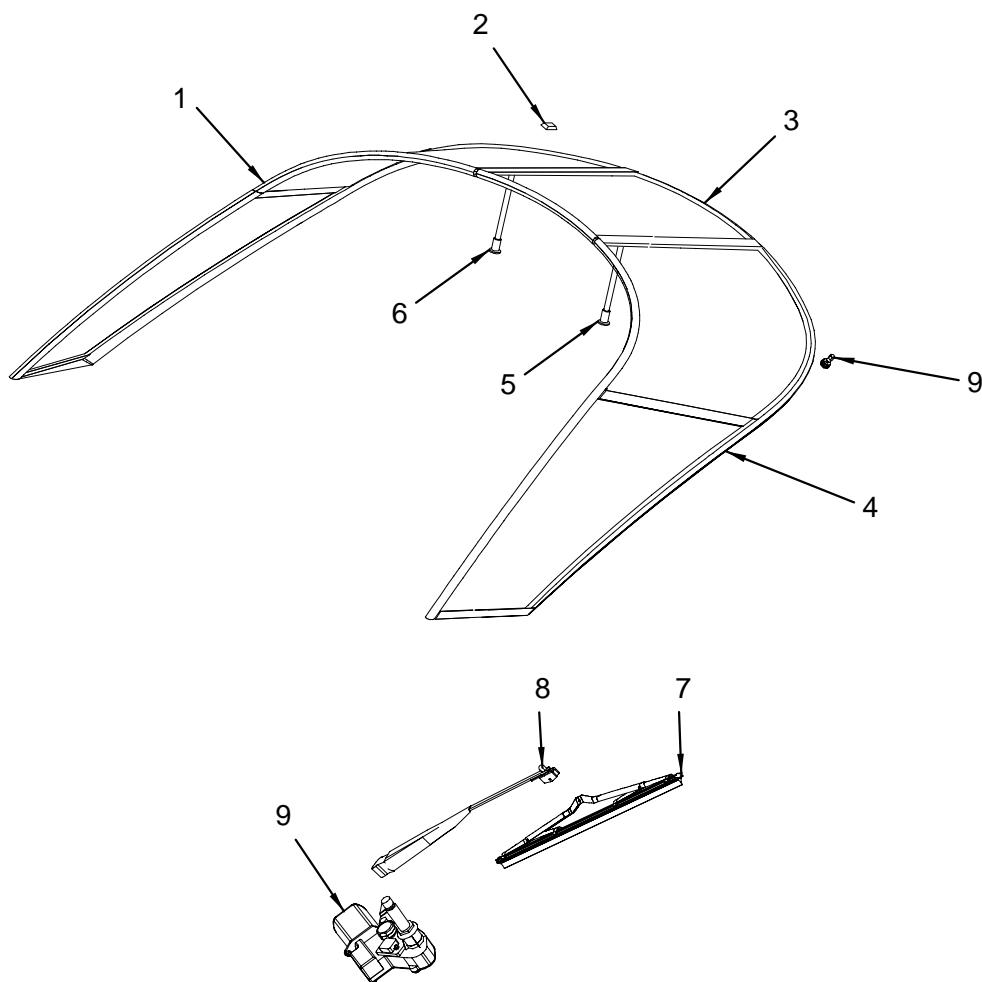
LABELS

129122	LABEL, NMMA CERTIFIED
1806416	DECAL, SIRIUS "NOW PLAYING INSIDE"
1750454	DECAL, SEA RAY OWNERS CLUB (NBOA) RV
1791388	DECAL, MERCURY CERTIFIED INSTALLER

NOT SHOWN

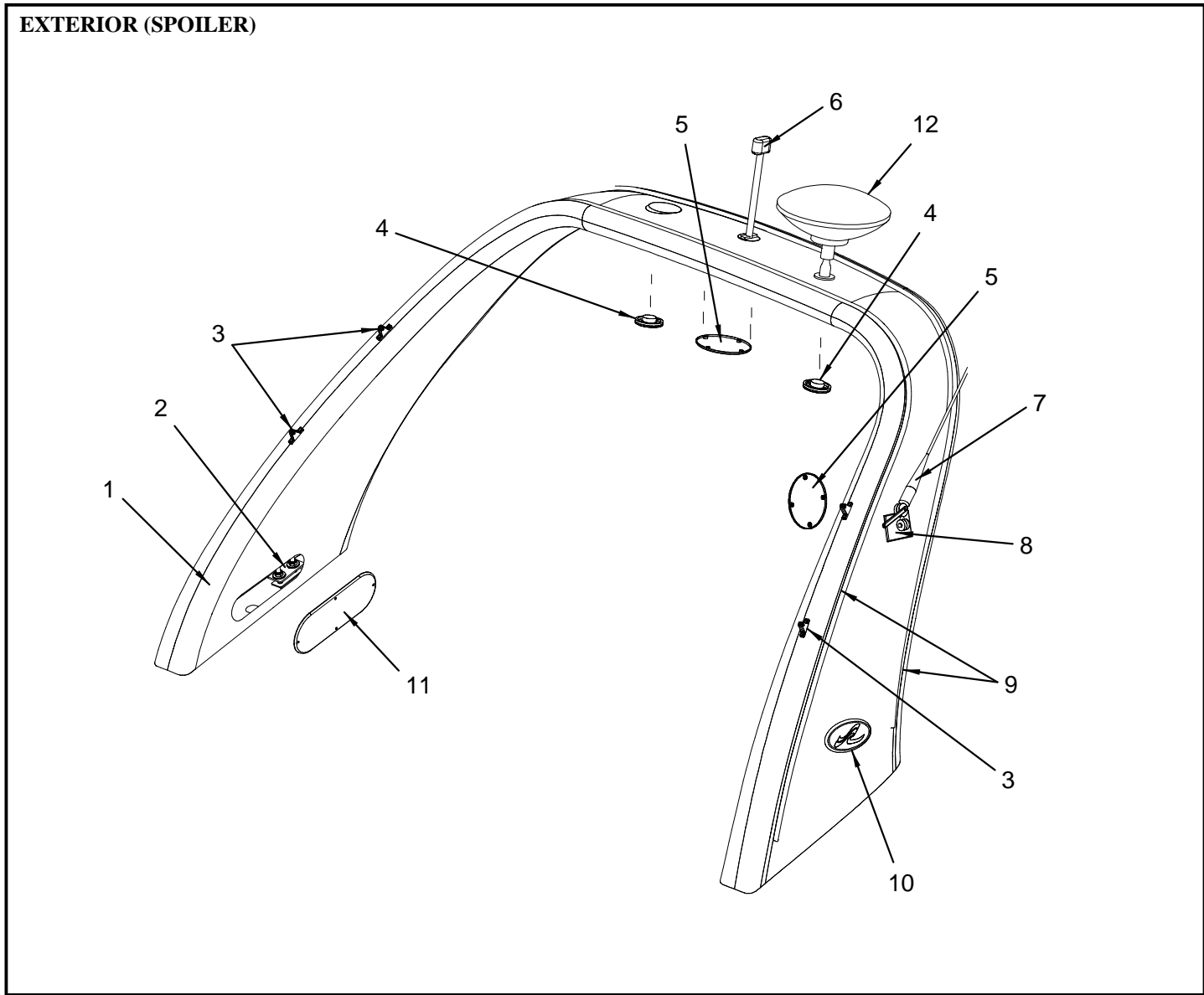
533430	VENT, CLAMSHELL ROPE LCKR 2"X2"
--------	---------------------------------

EXTERIOR (WINDSHIELD)



EXTERIOR (WINDSHIELD)

- 1 1778032 W/S, 240/260DA-05 PRT FRNT W/SNP CLICK TRK
(NOTE: W/S PARTS ORDER DIRECT FROM TAYLOR)
- 2 501528 BUMPER, BLACK SQUARE BUMPER
- 3 1778073 W/S, 240/260DA-05 DOOR W/SNP CLICK TRK
(NOTE: W/S PARTS ORDER DIRECT FROM TAYLOR)
- 1784253 W/S, 240/260DA-05 HDWR KIT
(NOTE: W/S PARTS ORDER DIRECT FROM TAYLOR)
- 1784254 W/S, 240/260DA-05 SCREW CVR
(NOTE: W/S PARTS ORDER DIRECT FROM TAYLOR)
- 1785544 VINYL, W/S GASKET 2005
(NOTE: W/S PARTS ORDER DIRECT FROM TAYLOR)
- 4 1778072 W/S, 240/260DA-05 STB FRNT W/SNP CLICK TRK
(NOTE: W/S PARTS ORDER DIRECT FROM TAYLOR)
- 5 1772684 SUPPORT, W/S 260DA/270AJ-05 STB
- 6 1772682 SUPPORT, W/S 260DA-05 PRT
- 7 1748547 WIPER BLADE, 16" FLEX BLACK (AM)
- 8 1748549 WIPER ARM, 15"-19" BLACK (AM)
- 9 1748562 WIPER MOTOR, 85 DEG (AM)



EXTERIOR (SPOILER)

- 1 1772450 FBRGLS PART, 260DA-05 SPORT SPOILER
(FIBERGLASS SPORT SPOILER W/ OVERHEAD LIGHTS)
(SOFT TOP CANVAS OPTION)
- 2 1625078 PLATE, SS SPOILER MNT W/2STUD 1/2"X3.5"
- 1473040 PLATE, BACKING UNIVERSAL 3/16"
- 3 1815410 HINGE, DECK BALL/SOCKET STRAIGHT LRG
(SUPPLIED WITH CANVAS)
- 1760595 PIN, PULL BALL/SOCKET TYPE W/RING LNYRD BLK
(SUPPLIED WITH CANVAS)
- 4 1227412 LIGHT, NAV STERN FLUSH MT RND CHR/BRS N/STUDS
901199 BULB, STERN NAV LIGHT REPL #137406-1227412
(REPLACEMENT BULB FOR 1227412)
- 5 137349 ACCESS PLATE, PLAS CVR 5" WHT
- 6 1776904 LIGHT, NAV MSTDH CMBO VAR MT 2"X1.5"BAS W/CON
1799519 BULB, MASTHEAD NAV LIGHT
(REPLACEMENT BULB FOR 1776904)
- 7 1286913 ANTENNA, 8" VALOR 4000 W/O MNT W/O CONN
- 8 115311 MOUNT, RATCHET VHF 4-WAY W/1"-14 MALE THD SS
- 122853 FITTING, WATER TIGHT OUTLET FOR 5/16" CABLE
- 9 1362698 TRACK, VINYL AWNING WHT "FLEX-A-RAIL" 15"
- 1690169 TRACK, VINYL AWNING WHT "FLEX-A-RAIL" 20"
- 10 1443225 EMBLEM, S/R WAVE 8" OVAL CHR TRNSM
- 11 1734073 COVER, HDPE 260DA-03 SPOILER ACCESS ARW
- 12 792325 ANTENNA, TV GLOMAX ASSY W/CONN
1803748 MOUNT, ANTENNA TV GLOMAX ASSY W/CONN
(PART OF 792325)

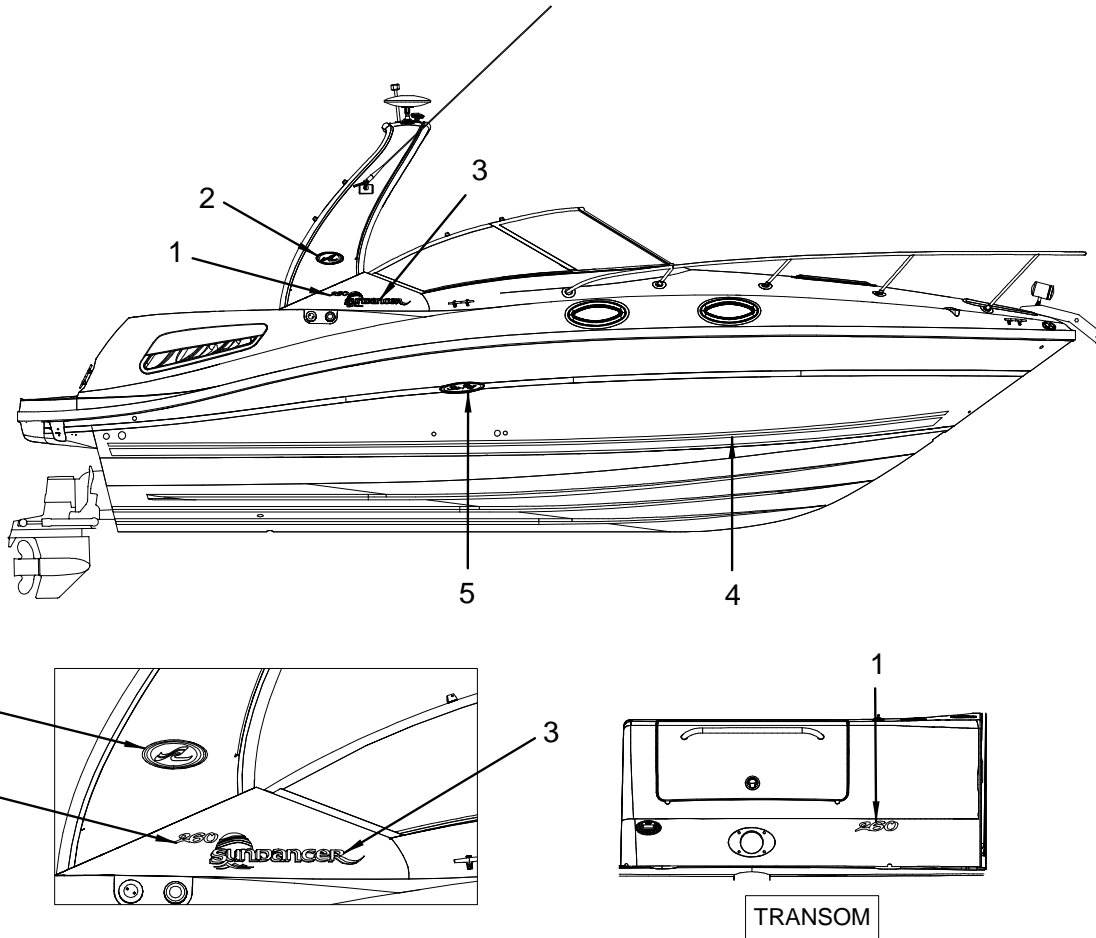
HARNESSES

- 1762175 HARNESS, 260DA-05 SPOILER
- 1773109 HARNESS, NAVMAN GPS EXTENSION CABLE
(GPS/CHARTPLOTTER/NAVMAN W/ARCH)

NOT SHOWN

- 1407675 CONN, SOLDERLESS INLINE SPLICE W/CENTER PIN
- 184648 CONN, COUPLER TYPE PL-258
- 1220441 TAPE, FOAM SGL FACE WHT VINYL 3/8"X 72YD
- 788711 MOUNT, ANTENNA DECK GPS SS
(GPS/CHARTPLOTTER/NAVMAN W/ARCH)

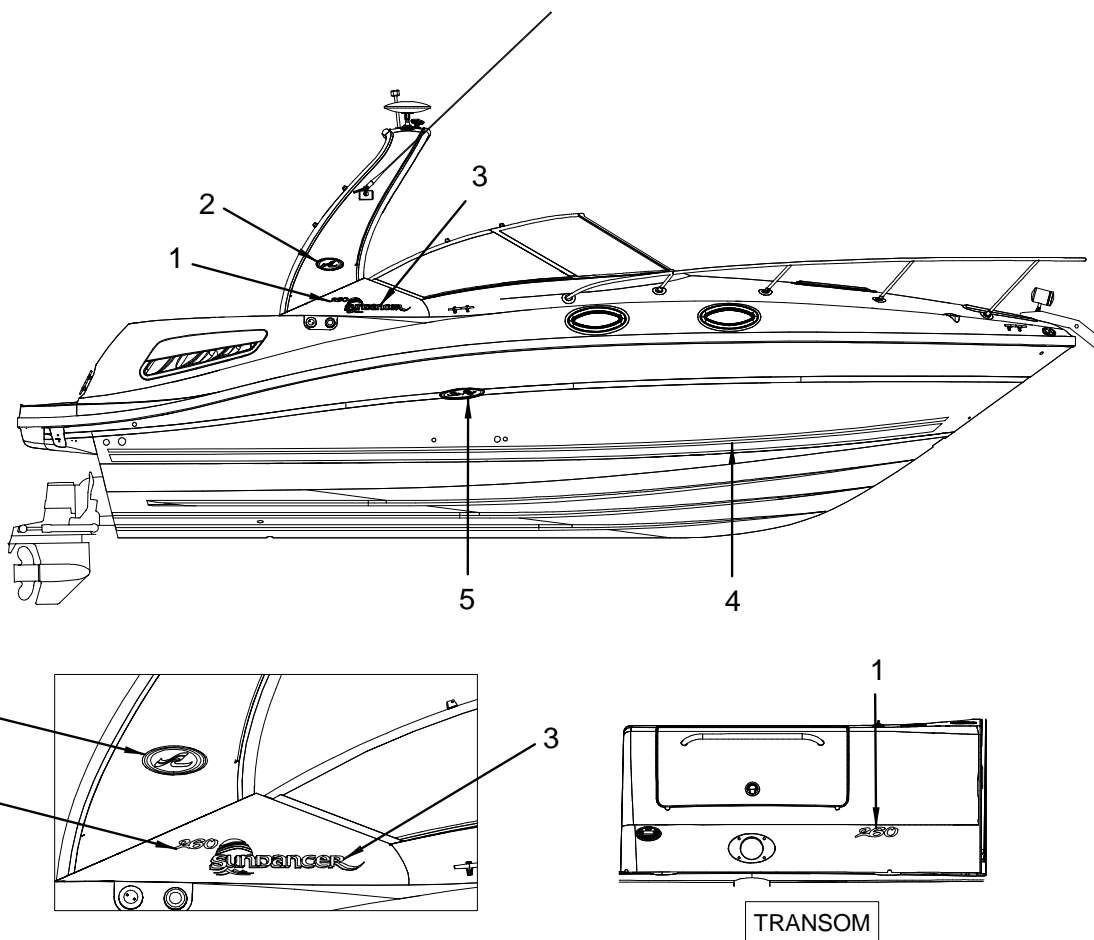
EXTERIOR (GRAPHICS) NO COLORED HULL - BLACK



EXTERIOR (GRAPHICS) NO COLORED HULL - BLACK

- 1 1529239 EMBLEM, MODEL DESG 260 URETHANE BLK W/CHR
- 1734156 EMBLEM, MODEL DESG 275 URETHANE BLK
("275DA" MODEL DESIGNATORS)
(INTERNATIONAL ONLY)
- 2 1443225 EMBLEM, S/R WAVE 8" OVAL CHR TRNSM
(FIBERGLASS SPORT SPOILER W/ OVERHEAD LIGHTS)
(SOFT TOP CANVAS OPTION)
- 3 1756554 DECAL, "SUNDANCER" BLK/SLVR MET
- 4 1756548 TAPE, M/S 4"W/1"VOID BLK/SLVR MET
(NOTE: 150 FOOT ROLL OF TAPE)
- 1847819 TAPE, M/S 4"W/1"VOID BLK/SLVR MET
(NOTE: 75 FOOT ROLL OF TAPE)
- 5 1443183 EMBLEM, "SEA RAY" SCRIPT HULL LOGO CHR 13"

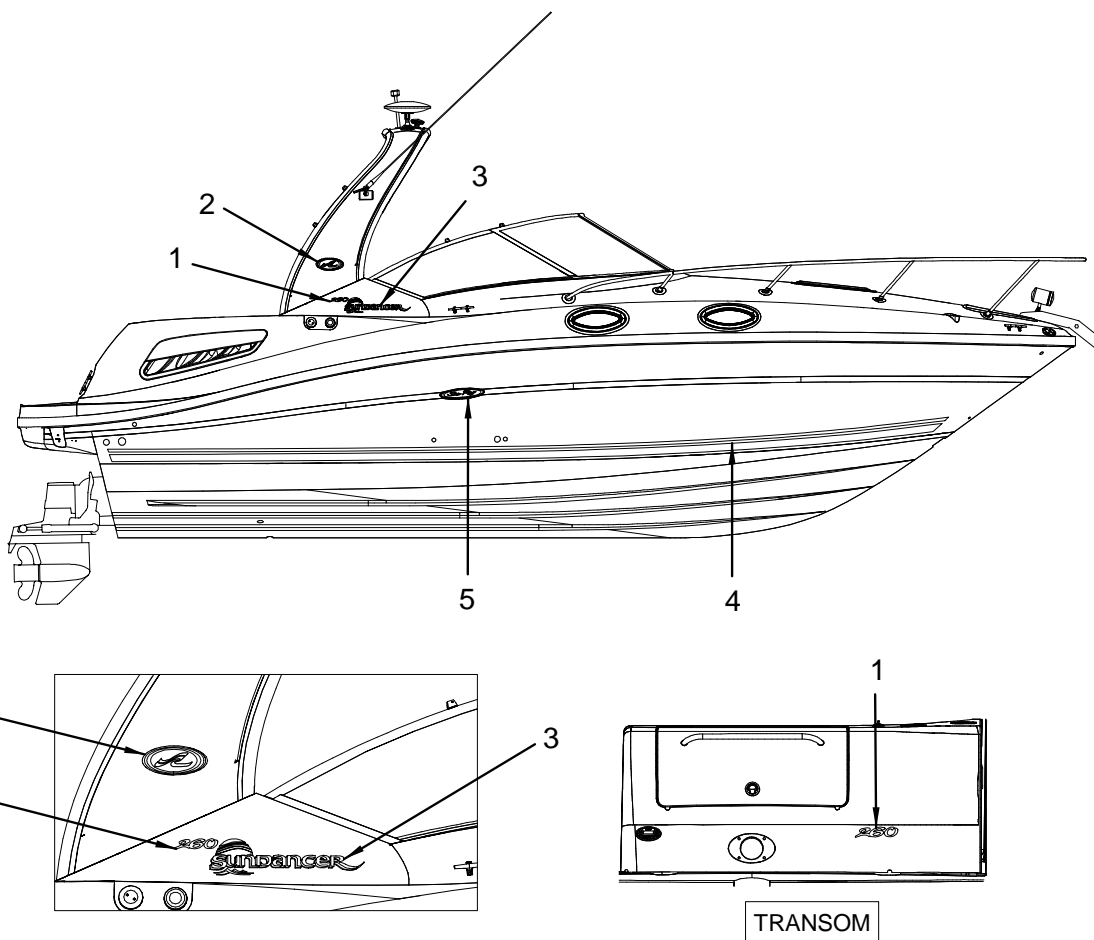
EXTERIOR (GRAPHICS) NO COLORED HULL - BLUE



EXTERIOR (GRAPHICS) NO COLORED HULL - BLUE

- 1 1529239 EMBLEM, MODEL DESG 260 URETHANE BLK W/CHR
- 1734156 EMBLEM, MODEL DESG 275 URETHANE BLK
("275DA" MODEL DESIGNATORS)
(INTERNATIONAL ONLY)
- 2 1443225 EMBLEM, S/R WAVE 8" OVAL CHR TRNSM
(FIBERGLASS SPORT SPOILER W/ OVERHEAD LIGHTS)
(SOFT TOP CANVAS OPTION)
- 3 1756554 DECAL, "SUNDANCER" BLK/SLVR MET
- 4 1756549 TAPE, M/S 4"W/1"VOID DKBL/SLVR MET
- 5 1443183 EMBLEM, "SEA RAY" SCRIPT HULL LOGO CHR 13"

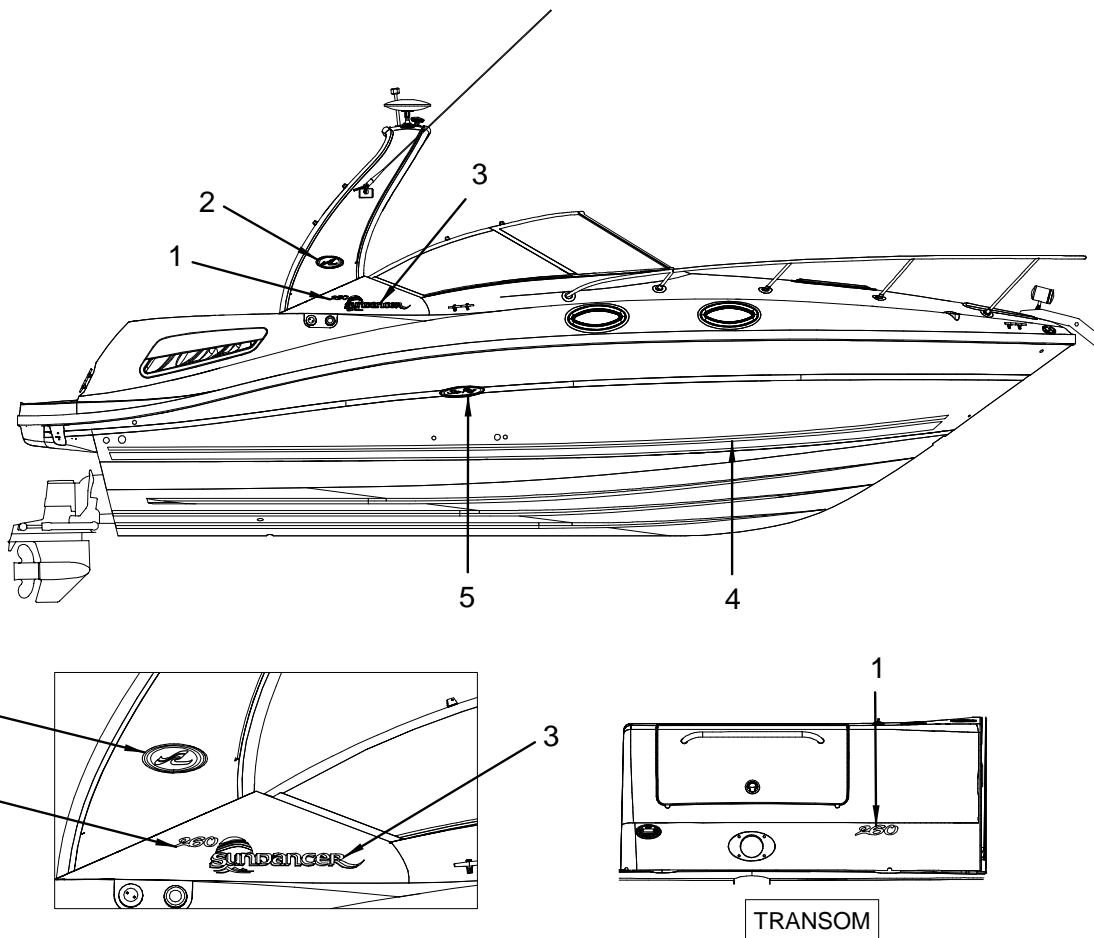
EXTERIOR (GRAPHICS) BLUE COLORED HULL



EXTERIOR (GRAPHICS) BLUE COLORED HULL

- 1 1529239 EMBLEM, MODEL DESG 260 URETHANE BLK W/CHR
- 1734156 EMBLEM, MODEL DESG 275 URETHANE BLK ("275DA" MODEL DESIGNATORS)
- 2 1443225 EMBLEM, S/R WAVE 8" OVAL CHR TRNSM
- 3 1756555 DECAL, "SUNDANCER" DKBL/SLVR MET
- 4 1757028 TAPE, M/S 4"W/3/4"VOID WHT/SLVR MET (NOTE: 150 FOOT ROLL OF TAPE)
- 1847788 TAPE, M/S 4"W/3/4"VOID WHT/SLVR MET (NOTE: 75 FOOT ROLL OF TAPE)
- 5 1443183 EMBLEM, "SEA RAY" SCRIPT HULL LOGO CHR 13"

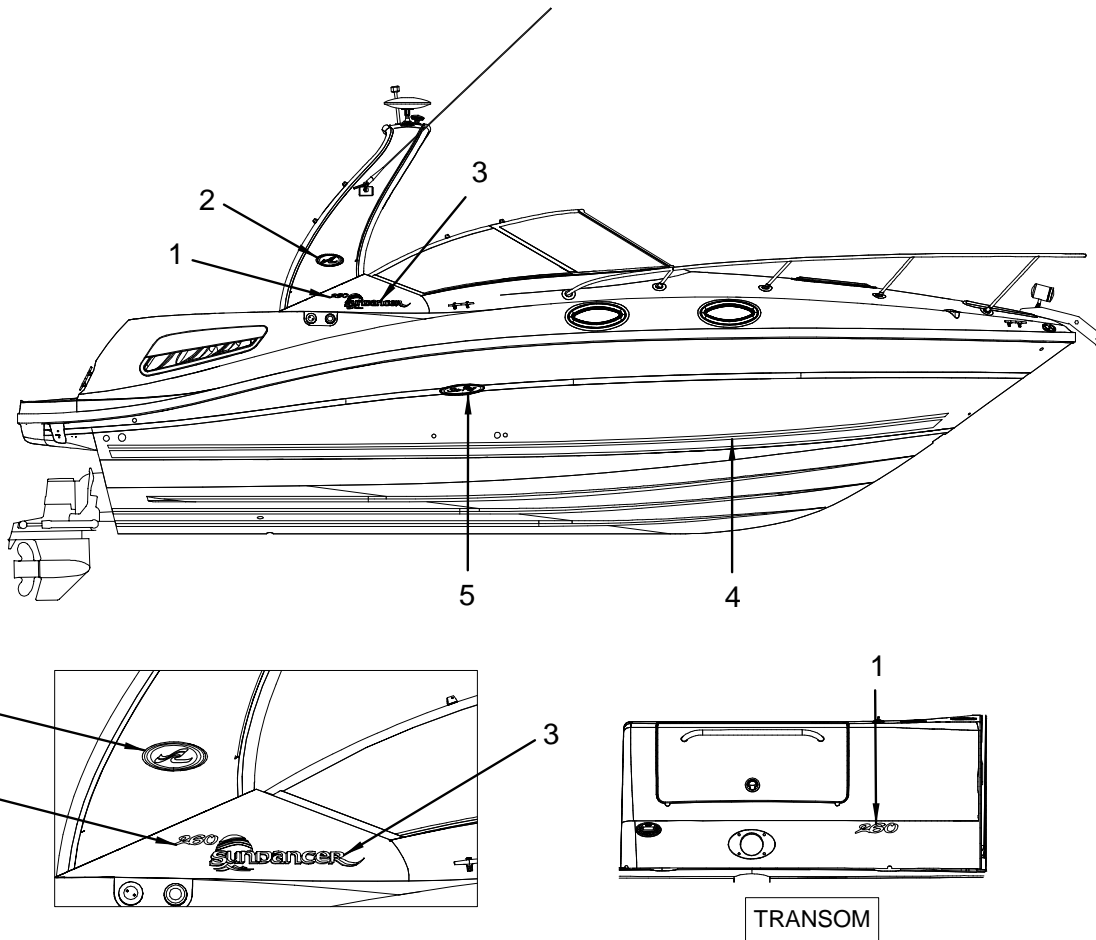
EXTERIOR (GRAPHICS) PEWTER COLORED HULL



EXTERIOR (GRAPHICS) PEWTER COLORED HULL

- 1 1529239 EMBLEM, MODEL DESG 260 URETHANE BLK W/CHR
- 1734156 EMBLEM, MODEL DESG 275 URETHANE BLK
("275DA" MODEL DESIGNATORS)
- 2 1443225 EMBLEM, S/R WAVE 8" OVAL CHR TRNSM
- 3 1756555 DECAL, "SUNDANCER" DKBL/SLVR MET
- 4 1757028 TAPE, M/S 4"W/3/4"VOID WHT/SLVR MET
(NOTE: 150 FOOT ROLL OF TAPE)
- 1847788 TAPE, M/S 4"W/3/4"VOID WHT/SLVR MET
(NOTE: 75 FOOT ROLL OF TAPE)
- 5 1443183 EMBLEM, "SEA RAY" SCRIPT HULL LOGO CHR 13"

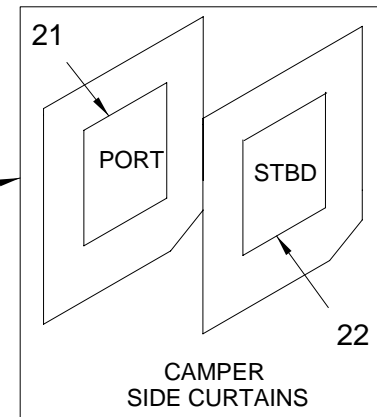
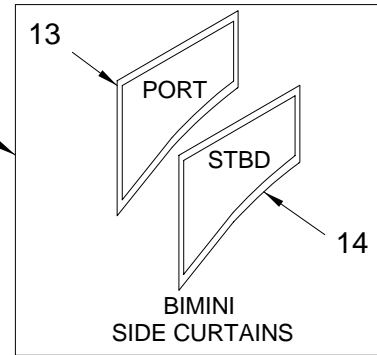
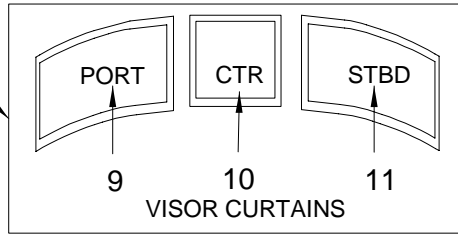
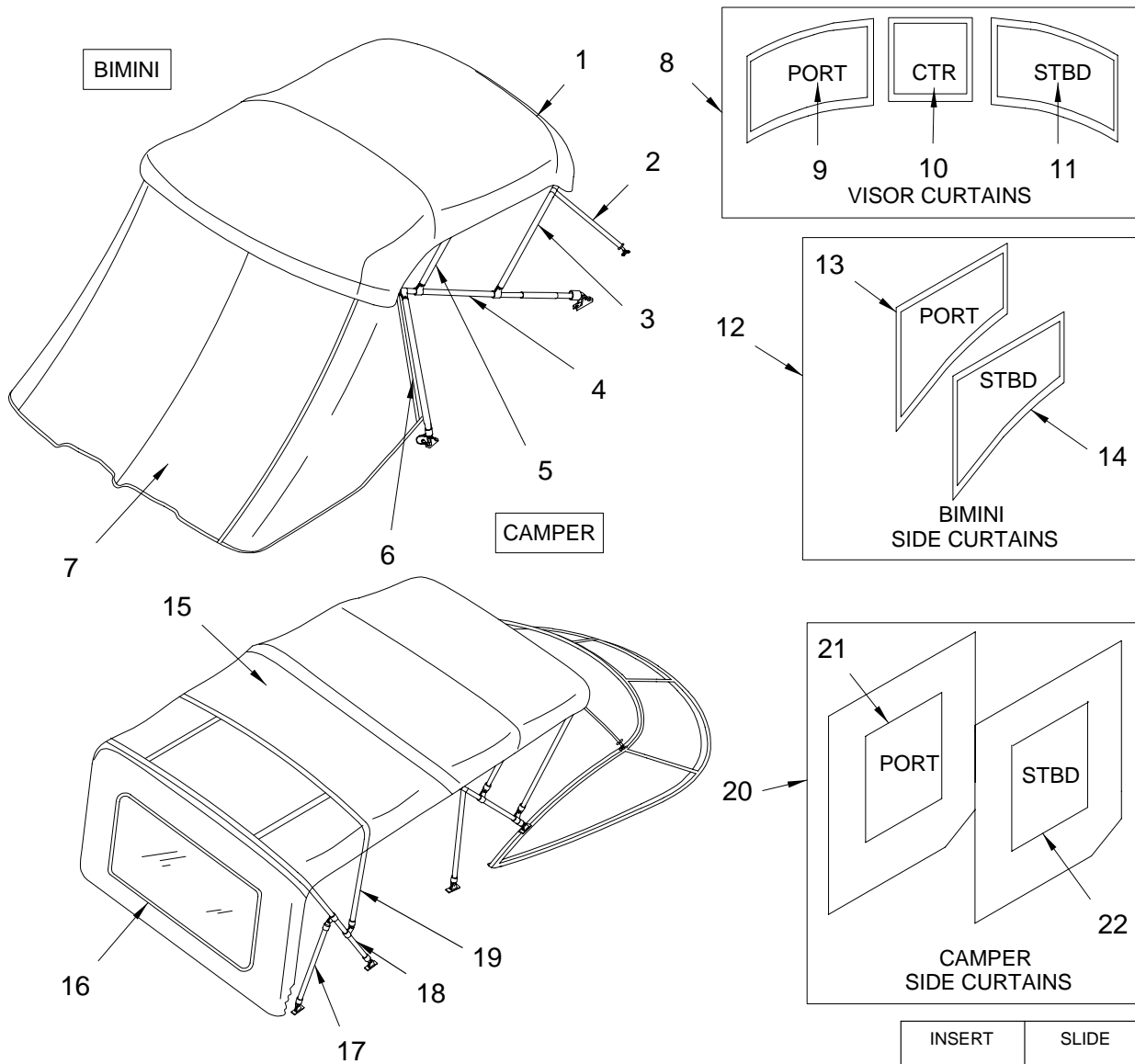
EXTERIOR (GRAPHICS) BLACK COLORED HULL



EXTERIOR (GRAPHICS) BLACK COLORED HULL

- 1 1529239 EMBLEM, MODEL DESG 260 URETHANE BLK W/CHR
- 1734156 EMBLEM, MODEL DESG 275 URETHANE BLK
("275DA" MODEL DESIGNATORS)
- 2 1443225 EMBLEM, S/R WAVE 8" OVAL CHR TRNSM
- 3 1756555 DECAL, "SUNDANCER" DKBL/SLVR MET
- 4 1757028 TAPE, M/S 4"W/3/4"VOID WHT/SLVR MET
(NOTE: 150 FOOT ROLL OF TAPE)
- 1847788 TAPE, M/S 4"W/3/4"VOID WHT/SLVR MET
(NOTE: 75 FOOT ROLL OF TAPE)
- 5 1443183 EMBLEM, "SEA RAY" SCRIPT HULL LOGO CHR 13"

CANVAS (BLACK)



CANVAS HARDWARE

<p>25</p>		<p>26</p>		<p>27</p>		<p>28</p>		<p>29</p>		<p>30</p>		<p>31</p>		<p>32</p>		<p>33</p>		<p>34</p>	
-----------	--	-----------	--	-----------	--	-----------	--	-----------	--	-----------	--	-----------	--	-----------	--	-----------	--	-----------	--

<p>INSERT</p> <p>23</p>	<p>SLIDE</p> <p>24</p>
-------------------------	------------------------

CANVAS (BLACK)

- 1 1803015 CANVAS, 260DA-06 BIM TOP BLK
- 1890892 CANVAS, 260DA-06 BIM TOP FAB BLK
- 1774322 CANVAS, 260DA-05 BIM TOP BOOT BLK
- 1817002 CANVAS, 260DA-06 BIM TOP BOWS W/HDWR
- 1817009 CANVAS, 260DA-06 BIM TOP HDWR MNT PKG
- 2 1817011 CANVAS, 260DA-06 BIM TOP REAR STRAP
- 3 1817014 CANVAS, 260DA-06 BIM TOP BOW2 W/HDWR
- 4 1817012 CANVAS, 260DA-06 BIM TOP MAIN BOW W/HDWR
- 5 1817013 CANVAS, 260DA-06 BIM TOP BOW3 W/HDWR
- 6 1817015 CANVAS, 260DA-06 BIM TOP FWD SUPPORT POLE
- 7 1774326 CANVAS, 260DA-05 AFT CURT BLK
- 8 1774342 CANVAS, 260DA-05 VSR CURT 3PC CLR/BLK
- 9 1774354 CANVAS, 260DA-05 VSR CURT CLR/BLK PRT
- 10 1774350 CANVAS, 260DA-05 VSR CURT CLR/BLK CTR
- 11 1774346 CANVAS, 260DA-05 VSR CURT CLR/BLK STB
- 12 1774330 CANVAS, 260DA-05 SIDE CURT SET BLK
- 13 1774338 CANVAS, 260DA-05 SIDE CURT PRT BLK
- 14 1774334 CANVAS, 260DA-05 SIDE CURT STB BLK
- 15 1807594 CANVAS, 260DA-06 CAMP TOP CMPLT BLK
- 1891160 CANVAS, 260DA-06 CAMP FAB CMPLT BLK
- 1891163 CANVAS, 260DA-06 CAMP TOP W/BOWS BLK
- 1891168 CANVAS, 260DA-06 CAMP TOP FAB BLK
- 1777350 CANVAS, 260DA-05 CAMP TOP BOOT BLK
- 1891238 CANVAS, 260DA-06 CAMP TOP BOWS W/HDWR
- 1891242 CANVAS, 260DA-06 CAMP TOP HDWR MNT PKG
- 16 1891252 CANVAS, 260DA-06 CAMP AFT CURT BLK
- 17 1891241 CANVAS, 260DA-06 CAMP TOP REAR STANCH
- 18 1891239 CANVAS, 260DA-06 CAMP TOP MAIN BOW W/HDWR
- 19 1891240 CANVAS, 260DA-06 CAMP TOP BOW2 W/HDWR
- 20 1891243 CANVAS, 260DA-06 CAMP SIDE CURT SET BLK
- 21 1891246 CANVAS, 260DA-06 CAMP SIDE CURT PRT BLK
- 22 1891249 CANVAS, 260DA-06 CAMP SIDE CURT STB BLK
- 23 1760358 INSERT, DECK HINGE BALL/SOCKET BLK
- 24 1536069 SLIDE, W/S CANVAS TRACK STBD
- 1536051 SLIDE, W/S CANVAS TRACK PORT
- 1738744 KNOB, W/S CANVAS TRACK PRT & STB
(PART OF 1536069 & 1536051)
- 25 1778676 CLIP, SHOCKCORD/CVR WHT W/ELAS 04
(PART OF 1761645)
- 26 1761645 KNOB, SHOCKCORD LACING
- 27 1778677 CLIP, WHT PLAS TAB W/CORD
- 28 1760354 CAP, SS EYE END BALL/SOCKET TYPE
- 29 1760355 SLIDE, JAW SLIDE BALL/SOCKET TYPE SS
- 1760596 SCREW, SLOT PAN BALL/SOCKET JAW SLIDE
- 30 1760595 PIN, PULL BALL/SOCKET TYPE W/RING LNYRD BLK
- 31 1837242 HINGE, DECK BALL/SOCKET RADIUS LRG
- 32 580688 SPACER, SIDE CURTAIN 7/8"
- 33 1815410 HINGE, DECK BALL/SOCKET STRAIGHT LRG
- 34 148031 EYE, STRAP EYE TIE-DOWN

CANVAS STORAGE BAG

- 878652 CANVAS, SPBOAT STRG BAG 10X70 XLRG GREY 97

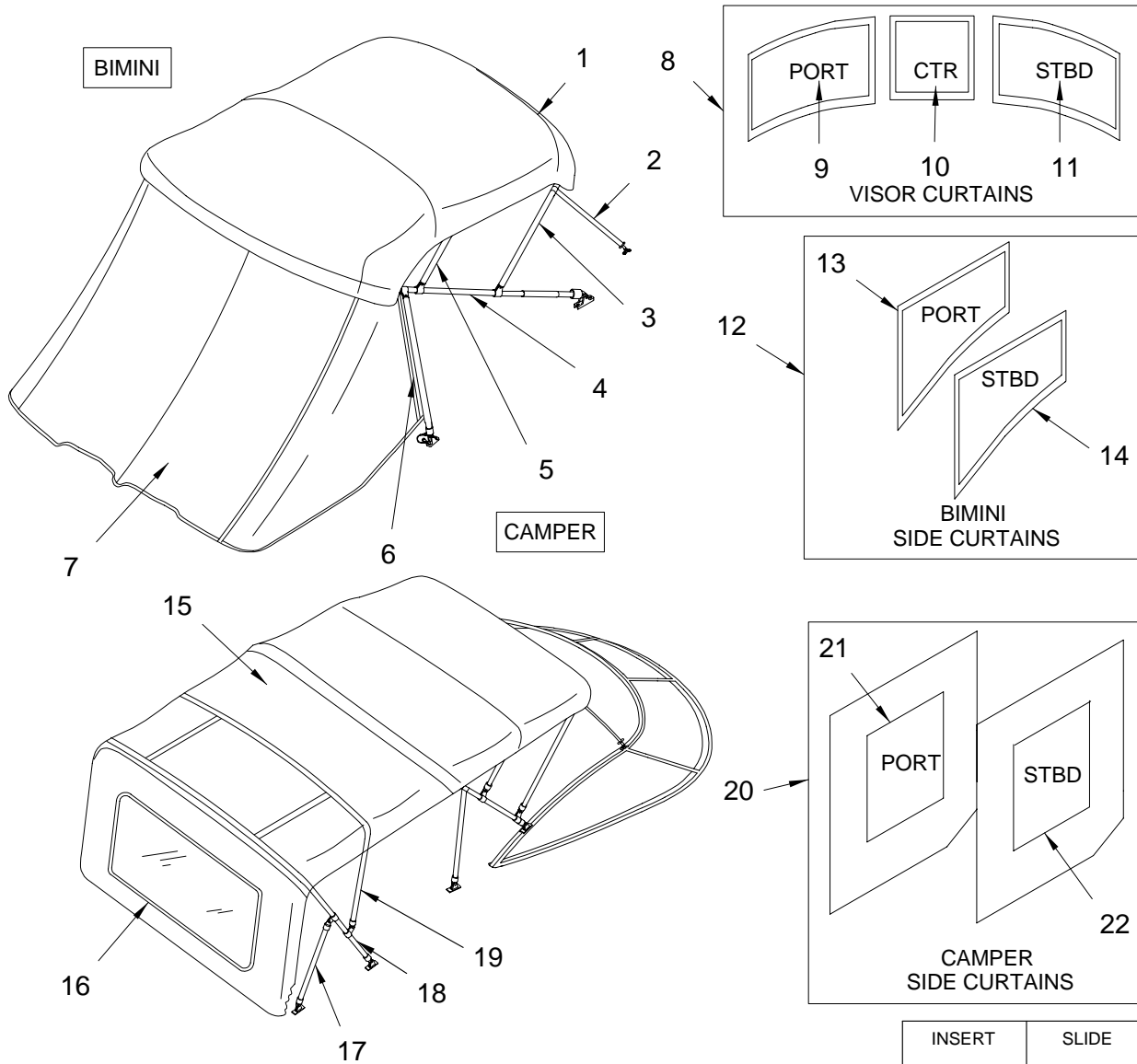
COCKPIT COVER W/BIMINI TOP

- 1774359 CANVAS, 260DA-05 CPC W/BIMINI N/SNP BLK

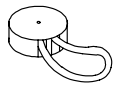

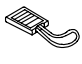




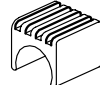
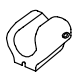

COCKPIT COVER W/CAMPER CANVAS PACKAGE


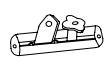
- 1777451 CANVAS, 260DA-05 CPC W/CAMP BLK

CANVAS (BLUE)



CANVAS HARDWARE

<p>SHOCK CORD CLIP</p>  <p>25</p>		<p>LACING KNOB</p>  <p>26</p>		<p>PLASTIC PULL TAB</p>  <p>27</p>		<p>END CAP</p>  <p>28</p>		<p>JAW SLIDE</p>  <p>29</p>		<p>PULL PIN</p>  <p>30</p>		<p>RADIUS HINGE</p>  <p>31</p>		<p>SIDE SPACER</p>  <p>32</p>		<p>STRAIGHT HINGE</p>  <p>33</p>		<p>STRAP EYE</p>  <p>34</p>	
--	--	--	--	---	--	--	--	--	--	---	--	---	--	--	--	---	--	--	--

<p>INSERT</p>  <p>23</p>	<p>SLIDE</p>  <p>24</p>
---	--

CANVAS (BLUE)

- 1 1803018 CANVAS, 260DA-06 BIM TOP CAPT NVY
- 1890893 CANVAS, 260DA-06 BIM TOP FAB CAPT NVY
- 1774320 CANVAS, 260DA-05 BIM TOP BOOT CAPT NVY
- 1817002 CANVAS, 260DA-06 BIM TOP BOWS W/HDWR
- 1817009 CANVAS, 260DA-06 BIM TOP HDWR MNT PKG
- 2 1817011 CANVAS, 260DA-06 BIM TOP REAR STRAP
- 3 1817014 CANVAS, 260DA-06 BIM TOP BOW2 W/HDWR
- 4 1817012 CANVAS, 260DA-06 BIM TOP MAIN BOW W/HDWR
- 5 1817013 CANVAS, 260DA-06 BIM TOP BOW3 W/HDWR
- 6 1817015 CANVAS, 260DA-06 BIM TOP FWD SUPPORT POLE
- 7 1774324 CANVAS, 260DA-05 AFT CURT CAPT NVY
- 8 1774340 CANVAS, 260DA-05 VSR CURT 3PC CLR/CAPT NVY
- 9 1774352 CANVAS, 260DA-05 VSR CURT CLR/CAPT NVY PRT
- 10 1774348 CANVAS, 260DA-05 VSR CURT CLR/CAPT NVY CTR
- 11 1774344 CANVAS, 260DA-05 VSR CURT CLR/CAPT NVY STB
- 12 1774328 CANVAS, 260DA-05 SIDE CURT SET CAPT NVY
- 13 1774336 CANVAS, 260DA-05 SIDE CURT PRT CAPT NVY
- 14 1774332 CANVAS, 260DA-05 SIDE CURT STB CAPT NVY
- 15 1807595 CANVAS, 260DA-06 CAMP TOP CMPLT CAPT NVY
- 1891161 CANVAS, 260DA-06 CAMP FAB CMPLT CAPT NAVY
- 1891165 CANVAS, 260DA-06 CAMP TOP W/BOWS CAPT NAVY
- 1891169 CANVAS, 260DA-06 CAMP TOP FAB CAPT NAVY
- 1777348 CANVAS, 260DA-05 CAMP TOP BOOT CAPT NVY
- 1891238 CANVAS, 260DA-06 CAMP TOP BOWS W/HDWR
- 1891242 CANVAS, 260DA-06 CAMP TOP HDWR MNT PKG
- 16 1891253 CANVAS, 260DA-06 CAMP AFT CURT CAPT NVY
- 17 1891241 CANVAS, 260DA-06 CAMP TOP REAR STANCH
- 18 1891239 CANVAS, 260DA-06 CAMP TOP MAIN BOW W/HDWR
- 19 1891240 CANVAS, 260DA-06 CAMP TOP BOW2 W/HDWR
- 20 1891244 CANVAS, 260DA-06 CAMP SIDE CURT SET CAPT NAVY
- 21 1891247 CANVAS, 260DA-06 CAMP SIDE CURT PRT CAPT NVY
- 22 1891250 CANVAS, 260DA-06 CAMP SIDE CURT STB CAPT NVY
- 23 1760358 INSERT, DECK HINGE BALL/SOCKET BLK
- 24 1536051 SLIDE, W/S CANVAS TRACK PORT
- 1536069 SLIDE, W/S CANVAS TRACK STBD
- 1738744 KNOB, W/S CANVAS TRACK PRT & STB
(PART OF 1536069 & 1536051)
- 25 1778676 CLIP, SHOCKCORD/CVR WHT W/ELAS 04
(PART OF 1761645)
- 26 1761645 KNOB, SHOCKCORD LACING
- 27 1778677 CLIP, WHT PLAS TAB W/CORD
- 28 1760354 CAP, SS EYE END BALL/SOCKET TYPE
- 29 1760355 SLIDE, JAW SLIDE BALL/SOCKET TYPE SS
- 1760596 SCREW, SLOT PAN BALL/SOCKET JAW SLIDE
- 30 1760595 PIN, PULL BALL/SOCKET TYPE W/RING LNYRD BLK
- 31 1837242 HINGE, DECK BALL/SOCKET RADIUS LRG
- 32 580688 SPACER, SIDE CURTAIN 7/8"
- 33 1815410 HINGE, DECK BALL/SOCKET STRAIGHT LRG
- 34 148031 EYE, STRAP EYE TIE-DOWN

CANVAS STORAGE BAG

- 878652 CANVAS, SPBOAT STRG BAG 10X70 XLRG GREY 97

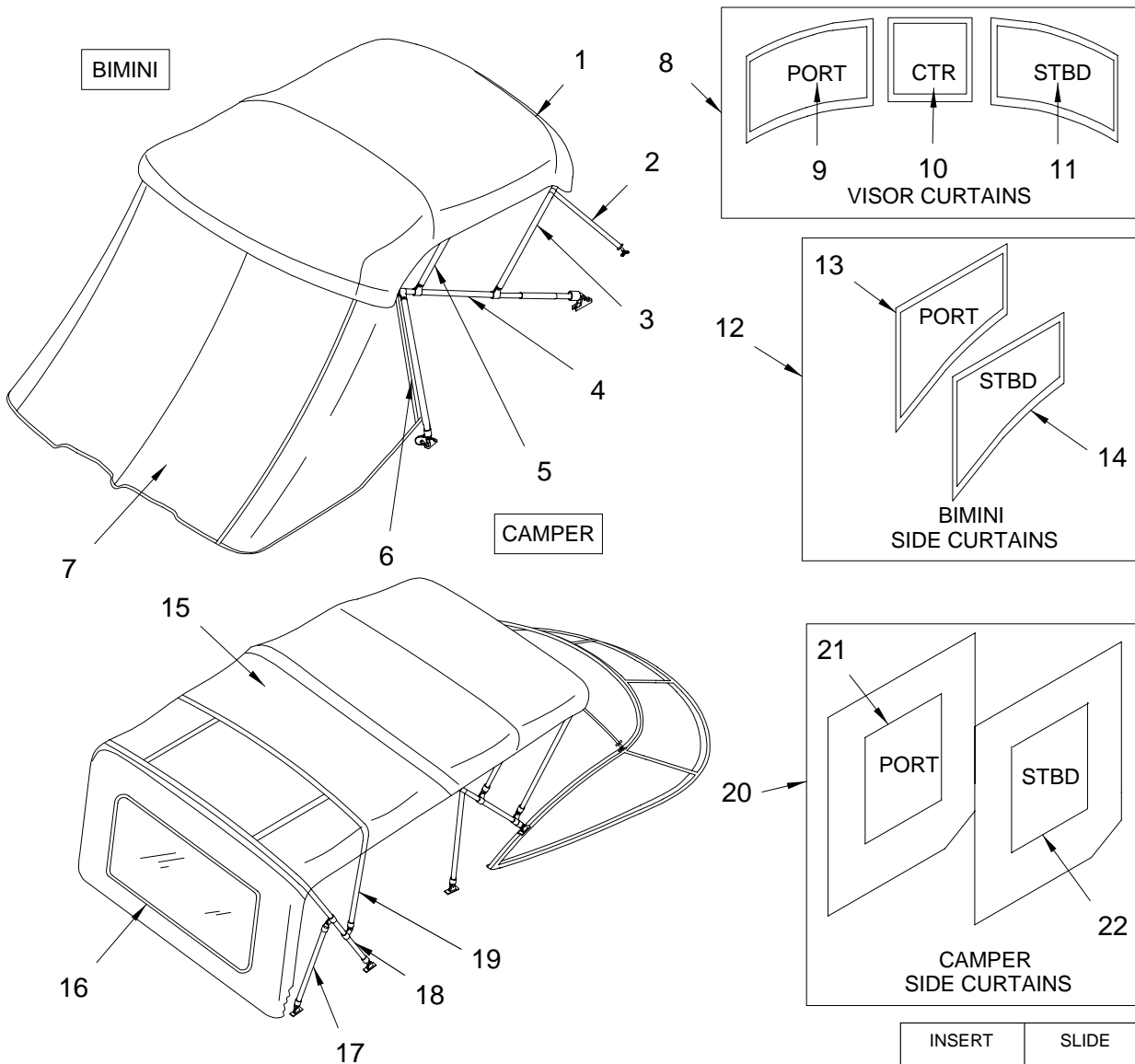
COCKPIT COVER W/BIMINI TOP

- 1774357 CANVAS, 260DA-04 CPC W/BIMINI N/SNP CAPT NVY

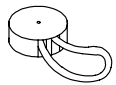

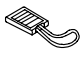



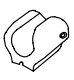
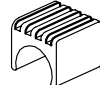
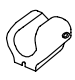

COCKPIT COVER W/CAMPER CANVAS PACKAGE


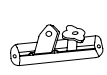
- 1777449 CANVAS, 260DA-05 CPC W/CAMP CAPT NVY

CANVAS (WHITE)



CANVAS HARDWARE

 25		 26		 27		 28		 29		 30		 31		 32		 33		 34	
---	--	---	--	---	--	---	--	---	--	---	--	---	--	---	--	---	--	---	--

INSERT  23	SLIDE  24
---	--

CANVAS (WHITE)

- 1 1831468 CANVAS, 260DA-06 BIM TOP WHT
- 1890894 CANVAS, 260DA-06 BIM TOP FAB WHT
- 1831469 CANVAS, 260DA-06 BIM TOP BOOT WHT
- 1817002 CANVAS, 260DA-06 BIM TOP BOWS W/HDWR
- 1817009 CANVAS, 260DA-06 BIM TOP HDWR MNT PKG
- 2 1817011 CANVAS, 260DA-06 BIM TOP REAR STRAP
- 3 1817014 CANVAS, 260DA-06 BIM TOP BOW2 W/HDWR
- 4 1817012 CANVAS, 260DA-06 BIM TOP MAIN BOW W/HDWR
- 5 1817013 CANVAS, 260DA-06 BIM TOP BOW3 W/HDWR
- 6 1817015 CANVAS, 260DA-06 BIM TOP FWD SUPPORT POLE
- 7 1831470 CANVAS, 260DA-06 AFT CURT WHT
- 8 1831472 CANVAS, 260DA-06 VSR CURT 3PC CLR/WHT
- 9 1848500 CANVAS, 260DA-06 VSR CURT CLR/WHT PRT
- 10 1848501 CANVAS, 260DA-06 VSR CURT CLR/WHT CTR
- 11 1848502 CANVAS, 260DA-06 VSR CURT CLR/WHT STB
- 12 1831471 CANVAS, 260DA-06 SIDE CURT SET WHT
- 13 1848503 CANVAS, 260DA-06 SIDE CURT PRT WHT
- 14 1848504 CANVAS, 260DA-06 SIDE CURT STB WHT
- 15 1831474 CANVAS, 260DA-06 CAMP TOP CMPLT WHT
- 1891162 CANVAS, 260DA-06 CAMP FAB CMPLT WHT
- 1891166 CANVAS, 260DA-06 CAMP TOP W/BOWS WHT
- 1891170 CANVAS, 260DA-06 CAMP TOP FAB WHT
- 1831473 CANVAS, 260DA-06 CAMP TOP BOOT WHT
- 1891238 CANVAS, 260DA-06 CAMP TOP BOWS W/HDWR
- 1891242 CANVAS, 260DA-06 CAMP TOP HDWR MNT PKG
- 16 1891254 CANVAS, 260DA-06 CAMP AFT CURT WHT
- 17 1891241 CANVAS, 260DA-06 CAMP TOP REAR STANCH
- 18 1891239 CANVAS, 260DA-06 CAMP TOP MAIN BOW W/HDWR
- 19 1891240 CANVAS, 260DA-06 CAMP TOP BOW2 W/HDWR
- 20 1891245 CANVAS, 260DA-06 CAMP SIDE CURT SET WHT
- 21 1891248 CANVAS, 260DA-06 CAMP SIDE CURT PRT WHT
- 22 1891251 CANVAS, 260DA-06 CAMP SIDE CURT STB WHT
- 23 1760358 INSERT, DECK HINGE BALL/SOCKET BLK
- 24 1536051 SLIDE, W/S CANVAS TRACK PORT
- 1536069 SLIDE, W/S CANVAS TRACK STBD
- 1738744 KNOB, W/S CANVAS TRACK PRT & STB
(PART OF 1536069 & 1536051)
- 25 1778676 CLIP, SHOCKCORD/CVR WHT W/ELAS 04
(PART OF 1761645)
- 26 1761645 KNOB, SHOCKCORD LACING
- 27 1778677 CLIP, WHT PLAS TAB W/CORD
- 28 1760354 CAP, SS EYE END BALL/SOCKET TYPE
- 29 1760355 SLIDE, JAW SLIDE BALL/SOCKET TYPE SS
- 1760596 SCREW, SLOT PAN BALL/SOCKET JAW SLIDE
- 30 1760595 PIN, PULL BALL/SOCKET TYPE W/RING LNYRD BLK
- 31 1837242 HINGE, DECK BALL/SOCKET RADIUS LRG
- 32 580688 SPACER, SIDE CURTAIN 7/8"
- 33 1815410 HINGE, DECK BALL/SOCKET STRAIGHT LRG
- 34 148031 EYE, STRAP EYE TIE-DOWN

CANVAS STORAGE BAG

- 878652 CANVAS, SPBOAT STRG BAG 10X70 XLRG GREY 97

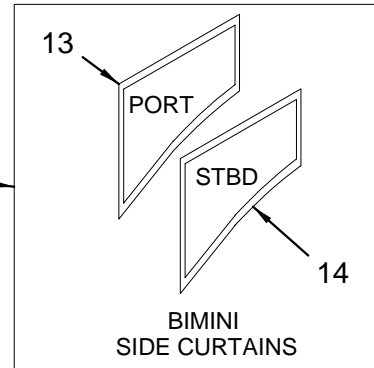
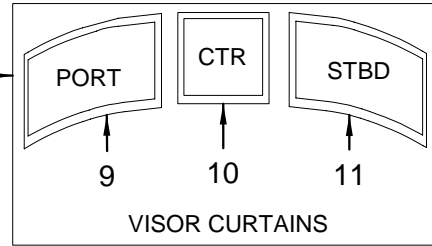
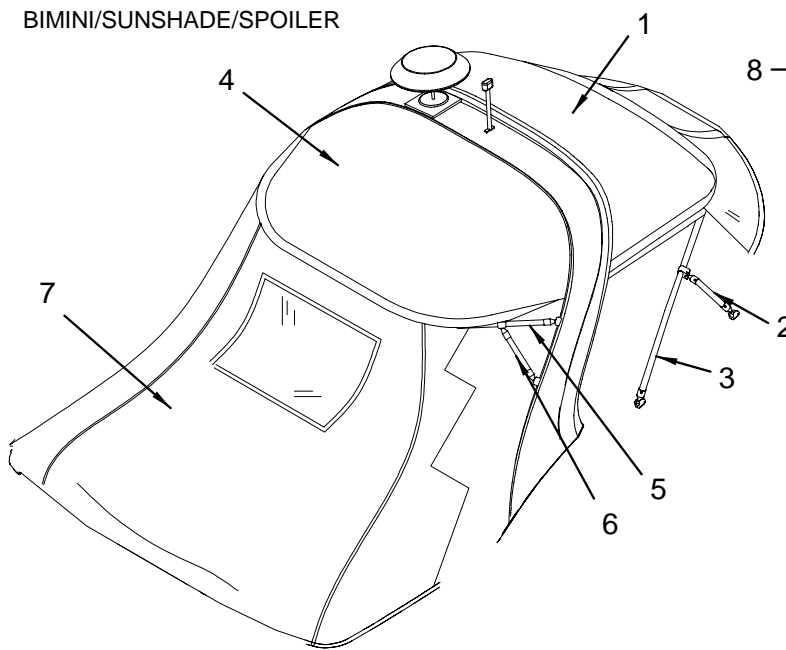
COCKPIT COVER W/BIMINI TOP

- 1831475 CANVAS, 260DA-06 CPC W/BIMINI N/SNP WHT

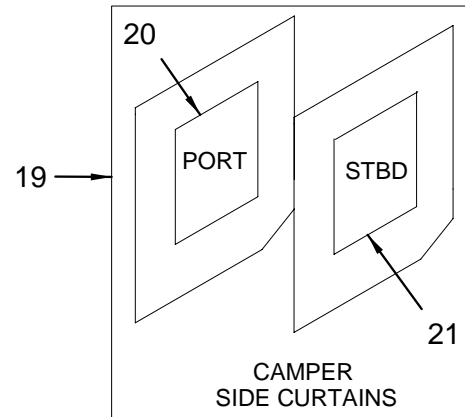
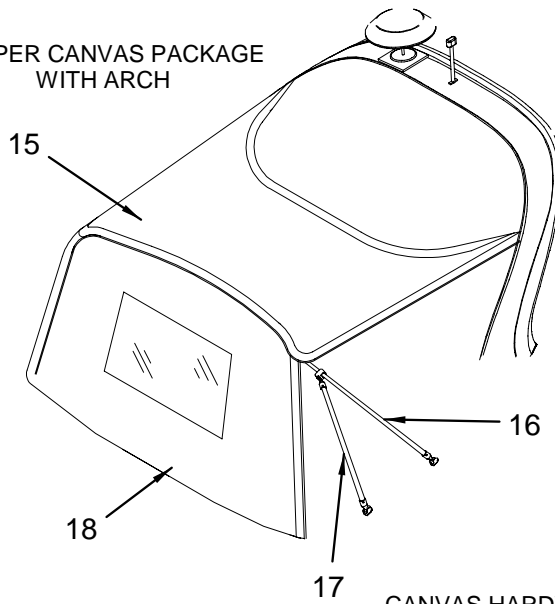
COCKPIT COVER W/CAMPER CANVAS PACKAGE

- 1831476 CANVAS, 260DA-06 CPC W/CAMP WHT

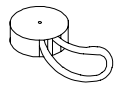

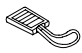




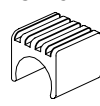


CANVAS (BLACK) OPTIONAL SPOILER





CAMPER CANVAS PACKAGE WITH ARCH



CANVAS HARDWARE

SHOCK CORD CLIP  24	LACING KNOB  25	PLASTIC PULL TAB  26	END CAP  27	JAW SLIDE  28	PULL PIN  29	RADIUS HINGE  30	SIDE SPACER  31	STRAIGHT HINGE  32	STRAP EYE  33
--	--	---	--	--	---	---	--	---	--

INSERT  22	SLIDE  23
---	--

CANVAS (BLACK) OPTIONAL SPOILER

- 1 1803020 CANVAS, 260DA-06 BIM TOP W/ARCH BLK
- 1817017 CANVAS, 260DA-06 BIM TOP W/ARCH FAB BLK
- 1777245 CANVAS, 260DA-05 BIM TOP BOOT W/ARCH BLK
- 1893485 CANVAS, 260DA-06 BIM TOP VAL W/ARCH BLK
- 1893481 CANVAS, 260DA-06 BIM TOP BOWS W/HDWR W/ARCH
- 1893483 CANVAS, 260DA-06 BIM TOP HDWR MNT PKG W/ARCH
- 2 1893484 CANVAS, 260DA-06 BIM TOP REAR STANCH W/ARCH
- 3 1893482 CANVAS, 260DA-06 BIM TOP MAIN BOW W/HDWR W/A
- 4 1803024 CANVAS, 260DA-06 SNSHD TOP W/ARCH BLK
- 1817018 CANVAS, 260DA-06 SNSHD TOP W/ARCH FAB BLK
- 1893508 CANVAS, 260DA-06 SNSHD TOP BOWS W/HDWR W/ARCH
- 1893510 CANVAS, 260DA-06 SNSHD HDWR MNT PKG W/ARCH
- 1893512 CANVAS, 260DA-06 SNSHD TOP VAL W/ARCH BLK
- 5 1893509 CANVAS, 260DA-06 SNSHD MAIN BOW W/HDWR W/ARCH
- 6 1893511 CANVAS, 260DA-06 SNSHD TOP REAR STANCH W/ARCH
- 7 1777306 CANVAS, 260DA-05 SNSHD AFT CURT W/ARCH BLK
- 8 1777265 CANVAS, 260DA-05 VSR CURT 3PC W/ARCH CLR/BLK
- 9 1777288 CANVAS, 260DA-05 VSR CURT PRT W/ARCH CLR/BLK
- 10 1777275 CANVAS, 260DA-05 VSR CURT CTR W/ARCH CLR/BLK
- 11 1777269 CANVAS, 260DA-05 VSR CURT STB W/ARCH CLR/BLK
- 12 1777249 CANVAS, 260DA-05 SIDE CURT SET W/ARCH BLK
- 13 1777260 CANVAS, 260DA-05 SIDE CURT PRT W/ARCH BLK
- 14 1777255 CANVAS, 260DA-05 SIDE CURT STB W/ARCH BLK
- 1848354 CANVAS, 260DA-06 SIDE CURT STB W/ARCH WHT
- 15 1807597 CANVAS, 260DA-06 CAMP TOP CMPLT W/ARCH BLK
- 1777358 CANVAS, 260DA-05 CAMP TOP BOOT W/ARCH BLK
- 1893488 CANVAS, 260DA-06 CAMP TOP FAB CMPLT W/A BLK
- 1893491 CANVAS, 260DA-06 CAMP TOP W/ARCH BLK
- 1893493 CANVAS, 260DA-06 CAMP TOP FAB W/ARCH BLK
- 16 1893496 CANVAS, 260DA-06 CAMP MAIN BOW W/HDWR W/ARCH
- 1893495 CANVAS, 260DA-06 CAMP BOWS W/HDWR W/ARCH
- 1893498 CANVAS, 260DA-06 CAMP TOP HDWR MNT PKG W/ARCH
- 17 1893497 CANVAS, 260DA-06 CAMP TOP REAR STANCH W/ARCH
- 18 1893506 CANVAS, 260DA-06 CAMP AFT CURT W/ARCH BLK
- 19 1893499 CANVAS, 260DA-06 CAMP SIDE CURT SET W/A BLK
- 20 1893502 CANVAS, 260DA-06 CAMP SIDE CURT PRT W/A BLK
- 21 1893504 CANVAS, 260DA-06 CAMP SIDE CURT STB W/A BLK
- 22 1760358 INSERT, DECK HINGE BALL/SOCKET BLK
- 23 1536069 SLIDE, W/S CANVAS TRACK STBD
- 1536051 SLIDE, W/S CANVAS TRACK PORT
- 1738744 KNOB, W/S CANVAS TRACK PRT & STB
(PART OF 1536069 & 1536051)
- 24 1778676 CLIP, SHOCKCORD/CVR WHT W/ELAS 04
(PART OF 1761645)
- 25 1761645 KNOB, SHOCKCORD LACING
- 26 1778677 CLIP, WHT PLAS TAB W/CORD
- 27 1760354 CAP, SS EYE END BALL/SOCKET TYPE
- 28 1760355 SLIDE, JAW SLIDE BALL/SOCKET TYPE SS
- 1760596 SCREW, SLOT PAN BALL/SOCKET JAW SLIDE
- 29 1760595 PIN, PULL BALL/SOCKET TYPE W/RING LNYRD BLK
- 30 1837242 HINGE, DECK BALL/SOCKET RADIUS LRG
- 31 580688 SPACER, SIDE CURTAIN 7/8"
- 32 1815410 HINGE, DECK BALL/SOCKET STRAIGHT LRG
- 33 148031 EYE, STRAP EYE TIE-DOWN

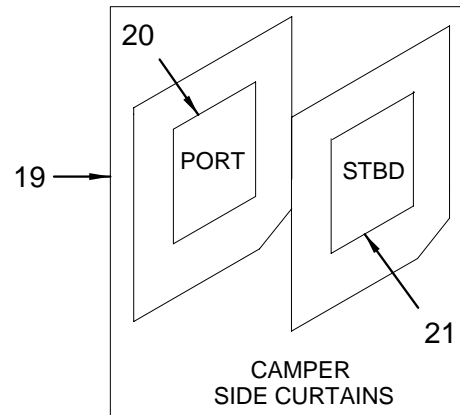
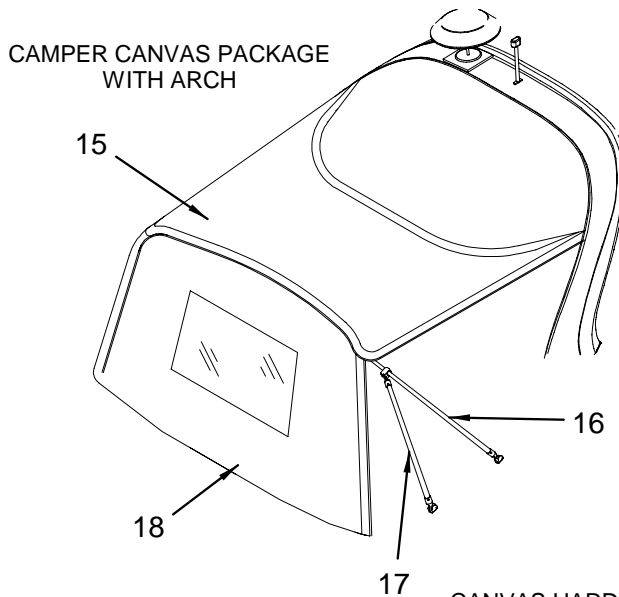
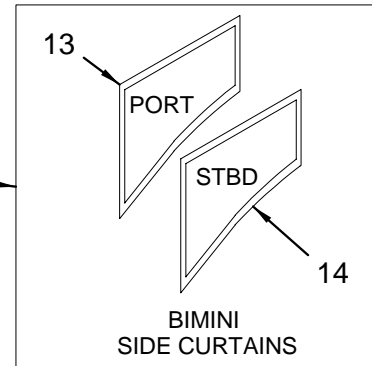
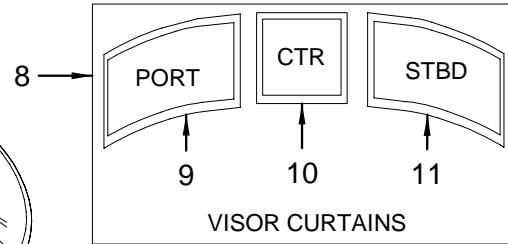
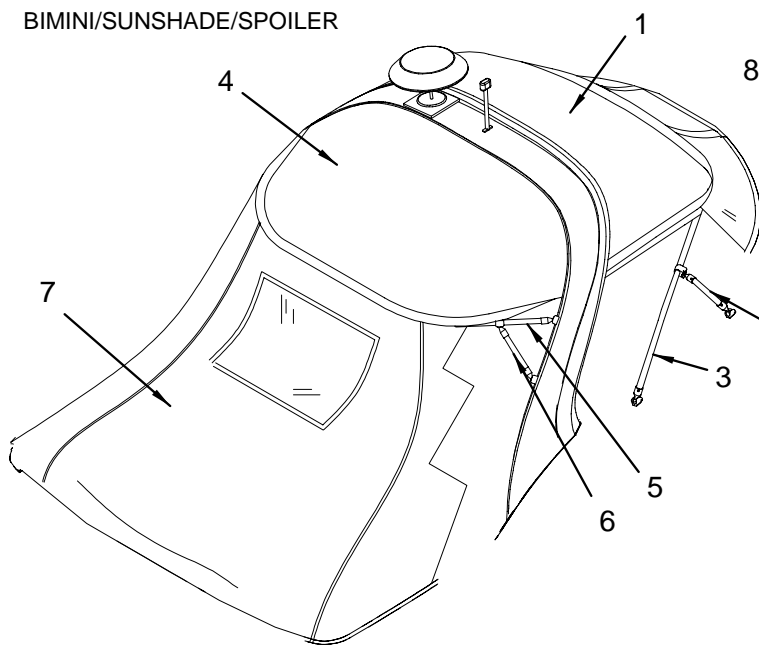
COCKPIT COVER

- 1777310 CANVAS, 260DA-05 CPC W/ARCH BLK
(COCKPIT COVER WITH ARCH)
- 1781281 CANVAS, 260DA-05 CPC W/CAMP W/ARCH BLK
(COCKPIT COVER WITH ARCH WITH CAMPER)

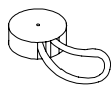






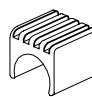


NOT SHOWN



- 1362698 TRACK, VINYL AWNING WHT "FLEX-A-RAIL" 15'
- 1690169 TRACK, VINYL AWNING WHT "FLEX-A-RAIL" 20'

CANVAS (BLUE) OPTIONAL SPOILER



CANVAS HARDWARE

SHOCK CORD CLIP  24	LACING KNOB  25	PLASTIC PULL TAB  26	END CAP  27	JAW SLIDE  28	PULL PIN  29	RADIUS HINGE  30	SIDE SPACER  31	STRAIGHT HINGE  32	STRAP EYE  33
--	--	---	--	--	---	---	--	---	--

INSERT  22	SLIDE  23
---	--

CANVAS (BLUE) OPTIONAL SPOILER

- 1 1803023 CANVAS, 260DA-06 BIM TOP W/ARCH CAPT NVY
- 1817016 CANVAS, 260DA-06 BIM TOP W/ARCH FAB CAPT NVY
- 1777243 CANVAS, 260DA-05 BIM TOP BOOT W/ARCH CAPT NVY
- 1893486 CANVAS, 260DA-06 BIM TOP VAL W/ARCH CAPT NAVY
- 1893481 CANVAS, 260DA-06 BIM TOP BOWS W/HDWR W/ARCH
- 1893483 CANVAS, 260DA-06 BIM TOP HDWR MNT PKG W/ARCH
- 2 1893484 CANVAS, 260DA-06 BIM TOP REAR STANCH W/ARCH
- 3 1893482 CANVAS, 260DA-06 BIM TOP MAIN BOW W/HDWR W/A
- 4 1803025 CANVAS, 260DA-06 SNSHD TOP W/ARCH CAPT NVY
- 1817019 CANVAS, 260DA-06 SNSHD TOP W/ARCH FAB CAPT NNY
- 1893508 CANVAS, 260DA-06 SNSHD TOP BOWS W/HDWR W/ARCH
- 1893510 CANVAS, 260DA-06 SNSHD HDWR MNT PKG W/ARCH
- 1893513 CANVAS, 260DA-06 SNSHD TOP VAL W/ARCH CNVY
- 5 1893509 CANVAS, 260DA-06 SNSHD MAIN BOW W/HDWR W/ARCH
- 6 1893511 CANVAS, 260DA-06 SNSHD TOP REAR STANCH W/ARCH
- 7 1777304 CANVAS, 260DA-05 SNSHD AFT CURT W/ARCH CAPT NV
- 8 1777263 CANVAS, 260DA-05 VSR CURT 3PC W/ARCH CLR/CAPN
- 9 1777283 CANVAS, 260DA-05 VSR CURT PRT W/ARCH CLR/CAPN
- 10 1777272 CANVAS, 260DA-05 VSR CURT CTR W/ARCH CLR/CAPN
- 11 1777267 CANVAS, 260DA-05 VSR CURT STB W/ARCH CLR/CAPN
- 12 1777247 CANVAS, 260DA-05 SIDE CURT SET W/ARCH CAPT NVY
- 13 1777258 CANVAS, 260DA-05 SIDE CURT PRT W/ARCH CAPT NVY
- 14 1777252 CANVAS, 260DA-05 SIDE CURT STB W/ARCH CAPT NVY
- 15 1807596 CANVAS, 260DA-06 CAMP TOP CMLPT W/ARCH CAPT NV
- 1777352 CANVAS, 260DA-05 CAMP TOP BOOT W/ARCH CAPT NV
- 1893489 CANVAS, 260DA-06 CAMP TOP FAB CMLPT W/A CNVY
- 1893492 CANVAS, 260DA-06 CAMP TOP W/ARCH CAPT NVY
- 1893494 CANVAS, 260DA-06 CAMP TOP FAB W/ARCH CAPT NVY
- 16 1893496 CANVAS, 260DA-06 CAMP MAIN BOW W/HDWR W/ARCH
- 1893495 CANVAS, 260DA-06 CAMP BOWS W/HDWR W/ARCH
- 1893498 CANVAS, 260DA-06 CAMP TOP HDWR MNT PKG W/ARCH
- 17 1893497 CANVAS, 260DA-06 CAMP TOP REAR STANCH W/ARCH
- 18 1893507 CANVAS, 260DA-06 CAMP AFT CURT W/ARCH CNVY
- 19 1893500 CANVAS, 260DA-06 CAMP SIDE CURT SET W/A CNVY
- 20 1893503 CANVAS, 260DA-06 CAMP SIDE CURT PRT W/A CNVY
- 21 1893505 CANVAS, 260DA-06 CAMP SIDE CURT STB W/A CNVY
- 22 1760358 INSERT, DECK HINGE BALL/SOCKET BLK
- 23 1536069 SLIDE, W/S CANVAS TRACK STBD
- 1536051 SLIDE, W/S CANVAS TRACK PORT
- 1738744 KNOB, W/S CANVAS TRACK PRT & STB
(PART OF 1536069 & 1536051)
- 24 1778676 CLIP, SHOCKCORD/CVR WHT W/ELAS 04
(PART OF 1761645)
- 25 1761645 KNOB, SHOCKCORD LACING
- 26 1778677 CLIP, WHT PLAS TAB W/CORD
- 27 1760354 CAP, SS EYE END BALL/SOCKET TYPE
- 28 1760355 SLIDE, JAW SLIDE BALL/SOCKET TYPE SS
- 1760596 SCREW, SLOT PAN BALL/SOCKET JAW SLIDE
- 29 1760595 PIN, PULL BALL/SOCKET TYPE W/RING LNYRD BLK
- 30 1837242 HINGE, DECK BALL/SOCKET RADIUS LRG
- 31 580688 SPACER, SIDE CURTAIN 7/8"
- 32 1815410 HINGE, DECK BALL/SOCKET STRAIGHT LRG
- 33 148031 EYE, STRAP EYE TIE-DOWN

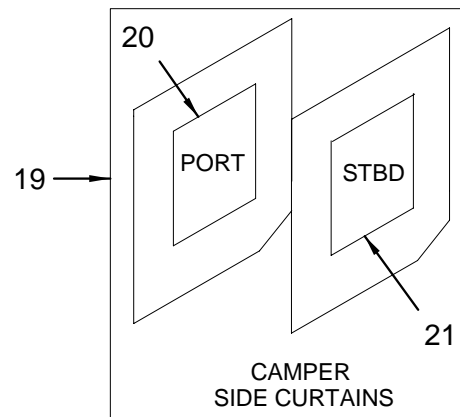
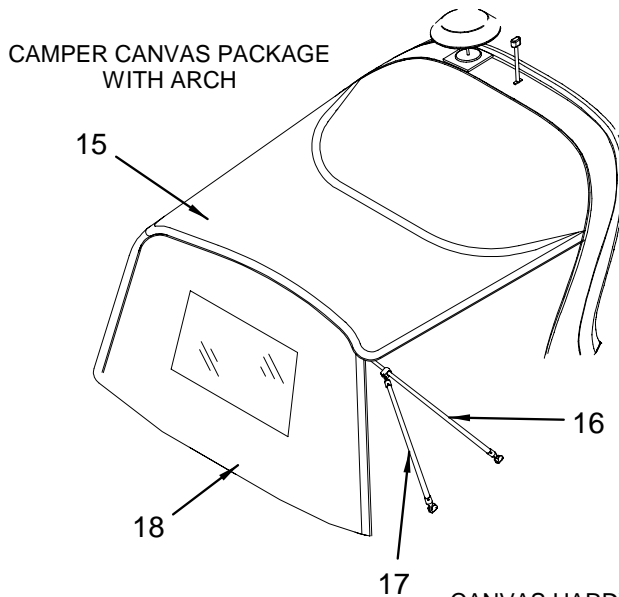
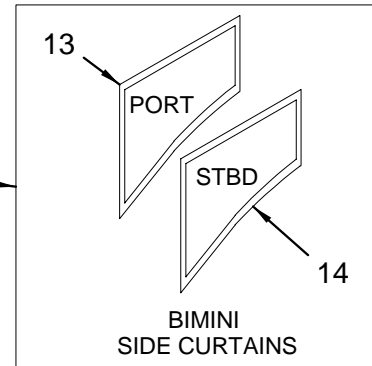
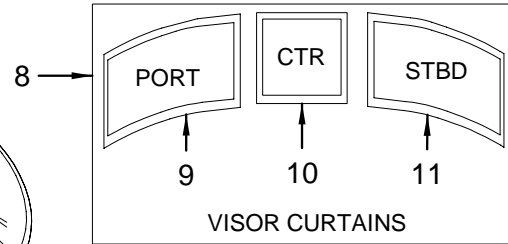
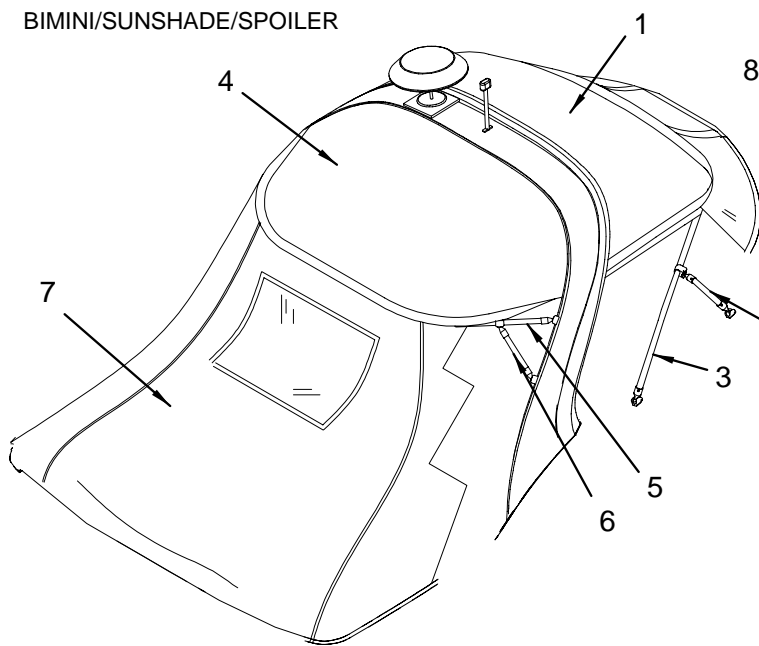
COCKPIT COVER

- 1777308 CANVAS, 260DA-05 CPC W/ARCH CAPT NVY
(COCKPIT COVER WITH ARCH)
- 1781279 CANVAS, 260DA-05 CPC W/CAMP W/ARCH CAPT NVY
(COCKPIT COVER WITH ARCH WITH CAMPER)

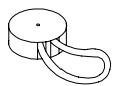

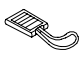




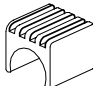
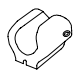

NOT SHOWN



- 1362698 TRACK, VINYL AWNING WHT "FLEX-A-RAIL" 15'
- 1690169 TRACK, VINYL AWNING WHT "FLEX-A-RAIL" 20'

CANVAS (WHITE) OPTIONAL SPOILER



CANVAS HARDWARE

SHOCK CORD CLIP  24	LACING KNOB  25	PLASTIC PULL TAB  26	END CAP  27	JAW SLIDE  28	PULL PIN  29	RADIUS HINGE  30	SIDE SPACER  31	STRAIGHT HINGE  32	STRAP EYE  33
--	--	---	--	--	---	---	--	---	--

INSERT  22	SLIDE  23
---	--

CANVAS (WHITE) OPTIONAL SPOILER

- 1 1831477 CANVAS, 260DA-06 BIM TOP W/ARCH WHT
- 1848353 CANVAS, 260DA-06 BIM TOP W/ARCH FAB WHT
- 1831478 CANVAS, 260DA-06 BIM TOP BOOT W/ARCH WHT
- 1893487 CANVAS, 260DA-06 BIM TOP VAL W/ARCH WHT
- 1893481 CANVAS, 260DA-06 BIM TOP BOWS W/HDWR W/ARCH
- 1893483 CANVAS, 260DA-06 BIM TOP HDWR MNT PKG W/ARCH
- 2 1893484 CANVAS, 260DA-06 BIM TOP REAR STANCH W/ARCH
- 3 1893482 CANVAS, 260DA-06 BIM TOP MAIN BOW W/HDWR W/A
- 4 1831482 CANVAS, 260DA-06 SNSHD TOP W/ARCH WHT
- 1848382 CANVAS, 260DA-06 SNSHD TOP W/ARCH FAB WHT
- 1893508 CANVAS, 260DA-06 SNSHD TOP BOWS W/HDWR W/ARCH
- 1893510 CANVAS, 260DA-06 SNSHD HDWR MNT PKG W/ARCH
- 1893514 CANVAS, 260DA-06 SNSHD TOP VAL W/ARCH WHT
- 5 1893509 CANVAS, 260DA-06 SNSHD MAIN BOW W/HDWR W/ARCH
- 6 1893511 CANVAS, 260DA-06 SNSHD TOP REAR STANCH W/ARCH
- 7 1831481 CANVAS, 260DA-06 SNSHD AFT CURT W/ARCH WHT
- 8 1831480 CANVAS, 260DA-06 VSR CURT 3PC W/ARCH CLR/WHT
- 9 1848381 CANVAS, 260DA-06 VSR CURT PRT W/ARCH CLR/WHT
- 10 1848380 CANVAS, 260DA-06 VSR CURT CTR W/ARCH CLR/WHT
- 11 1848379 CANVAS, 260DA-06 VSR CURT STB W/ARCH CLR/WHT
- 12 1831479 CANVAS, 260DA-06 SIDE CURT SET W/ARCH WHT
- 13 1848378 CANVAS, 260DA-06 SIDE CURT PRT W/ARCH WHT
- 14 1848354 CANVAS, 260DA-06 SIDE CURT STB W/ARCH WHT
- 15 1831486 CANVAS, 260DA-06 CAMP TOP CMLPT W/ARCH WHT
- 1831485 CANVAS, 260DA-06 CAMP TOP BOOT W/ARCH WHT
- 1893490 CANVAS, 260DA-06 CAMP TOP FAB CMLPT W/A WHT
- 1848383 CANVAS, 260DA-06 CAMP TOP W/ARCH WHT
- 1848384 CANVAS, 260DA-06 CAMP TOP FAB W/ARCH WHT
- 16 1893496 CANVAS, 260DA-06 CAMP MAIN BOW W/HDWR W/ARCH
- 1893495 CANVAS, 260DA-06 CAMP BOWS W/HDWR W/ARCH
- 1893498 CANVAS, 260DA-06 CAMP TOP HDWR MNT PKG W/ARCH
- 17 1893497 CANVAS, 260DA-06 CAMP TOP REAR STANCH W/ARCH
- 18 1848387 CANVAS, 260DA-06 CAMP AFT CURT W/ARCH WHT
- 19 1893501 CANVAS, 260DA-06 CAMP SIDE CURT SET W/A WHT
- 20 1848385 CANVAS, 260DA-06 CAMP SIDE CURT PRT W/A WHT
- 21 1848386 CANVAS, 260DA-06 CAMP SIDE CURT STB W/A WHT
- 22 1760358 INSERT, DECK HINGE BALL/SOCKET BLK
- 23 1536069 SLIDE, W/S CANVAS TRACK STBD
- 1738744 KNOB, W/S CANVAS TRACK PRT & STB
- 1738744 KNOB, W/S CANVAS TRACK PRT & STB
(PART OF 1536069 & 1536051)
- 24 1778676 CLIP, SHOCKCORD/CVR WHT W/ELAS 04
(PART OF 1761645)
- 25 1761645 KNOB, SHOCKCORD LACING
- 26 1778677 CLIP, WHT PLAS TAB W/CORD
- 27 1760354 CAP, SS EYE END BALL/SOCKET TYPE
- 28 1760355 SLIDE, JAW SLIDE BALL/SOCKET TYPE SS
- 1760596 SCREW, SLOT PAN BALL/SOCKET JAW SLIDE
- 29 1760595 PIN, PULL BALL/SOCKET TYPE W/RING LNYRD BLK
- 30 1837242 HINGE, DECK BALL/SOCKET RADIUS LRG
- 31 580688 SPACER, SIDE CURTAIN 7/8"
- 32 1815410 HINGE, DECK BALL/SOCKET STRAIGHT LRG
- 33 148031 EYE, STRAP EYE TIE-DOWN

COCKPIT COVER

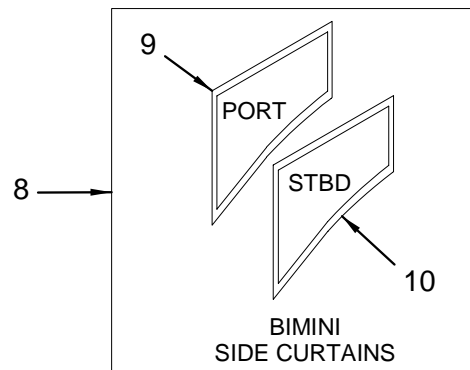
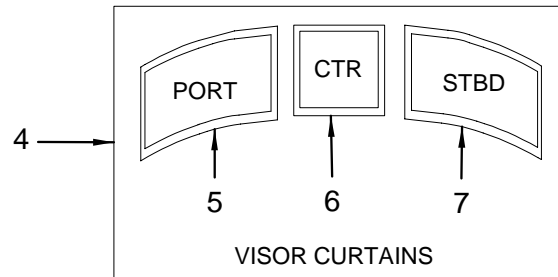
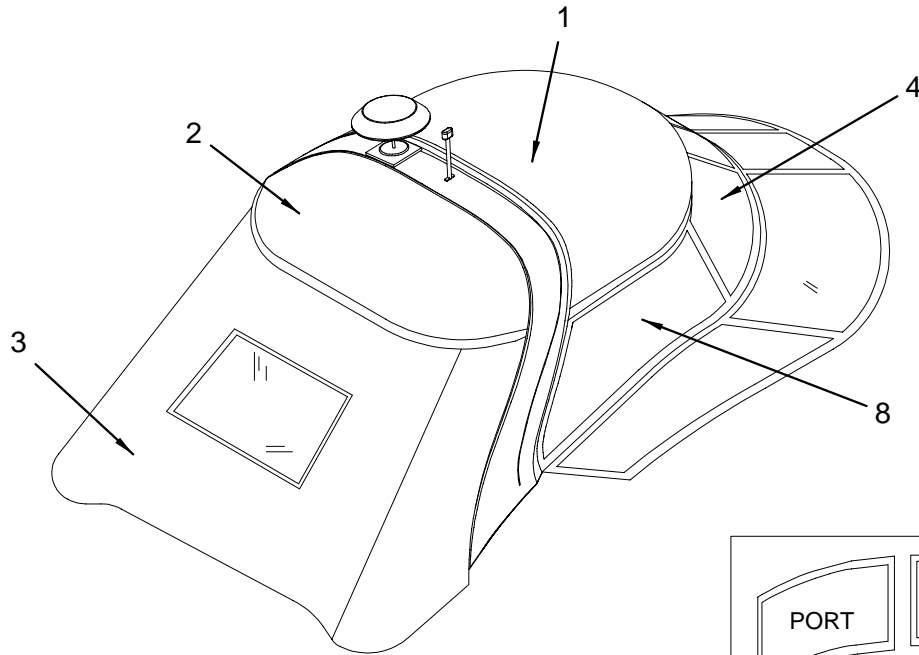
- 1831483 CANVAS, 260DA-06 CPC W/ARCH WHT
(COCKPIT COVER WITH ARCH)
- 1831484 CANVAS, 260DA-06 CPC W/CAMP W/ARCH WHT
(COCKPIT COVER WITH ARCH WITH CAMPER)

NOT SHOWN

- 1362698 TRACK, VINYL AWNING WHT "FLEX-A-RAIL" 15'
- 1690169 TRACK, VINYL AWNING WHT "FLEX-A-RAIL" 20'

CANVAS (BLACK) OPTIONAL SOFT TOP

SOFT TOP/SPOILER



CANVAS HARDWARE

SHOCK CORD CLIP	LACING KNOB	PLASTIC PULL TAB	INSERT	SLIDE
11	12	13	14	15

CANVAS (BLACK) OPTIONAL SOFT TOP

- 1 1852088 CANVAS, 260DA-07 FWD SNSHD S/TOP BLK
- 1848899 FRAME, ALUM 260DA-07 S/TOP FWD
- 2 1852091 CANVAS, 260DA-07 AFT SNSHD S/TOP BLK
- 1848900 FRAME, ALUM 260DA-07 S/TOP AFT
- 3 1851984 CANVAS, 260DA-07 AFT CURT S/TOP BLK
- 4 1851987 CANVAS, 260DA-07 VSR CURT S/TOP 3PC CLR/BLK
- 5 1889777 CANVAS, 260DA-07 VSR CURT S/TOP PRT CLR/BLK
- 6 1889779 CANVAS, 260DA-07 VSR CURT S/TOP CTR CLR/BLK
- 7 1889778 CANVAS, 260DA-07 VSR CURT S/TOP STB CLR/BLK
- 8 1851981 CANVAS, 260DA-07 SIDE CURT ST S/TOP BLK
- 9 1889786 CANVAS, 260DA-07 SIDE CURT PRT S/TOP BLK
- 10 1889787 CANVAS, 260DA-07 SIDE CURT STB S/TOP BLK
- 11 1778676 CLIP, SHOCKCORD/CVR WHT W/ELAS 04
(PART OF 1761645)
- 12 1761645 KNOB, SHOCKCORD LACING
- 13 1778677 CLIP, WHT PLAS TAB W/CORD
- 14 1760358 INSERT, DECK HINGE BALL/SOCKET BLK
- 15 1536069 SLIDE, W/S CANVAS TRACK STBD
- 1536051 SLIDE, W/S CANVAS TRACK PORT
- 1738744 KNOB, W/S CANVAS TRACK PRT & STB
(PART OF 1536069 & 1536051)

CAMPER

- 1872401 CANVAS, 260DA-07 CAMP TOP CMPLT S/TOP BLK
- 1875620 CANVAS, 260DA-07 CAMP TOP BOOT S/TOP BLK

COCKPIT COVER

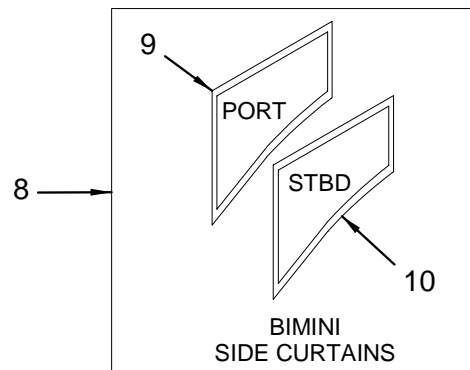
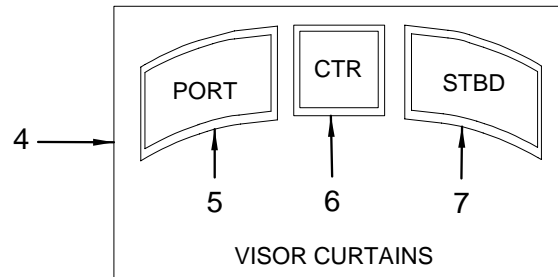
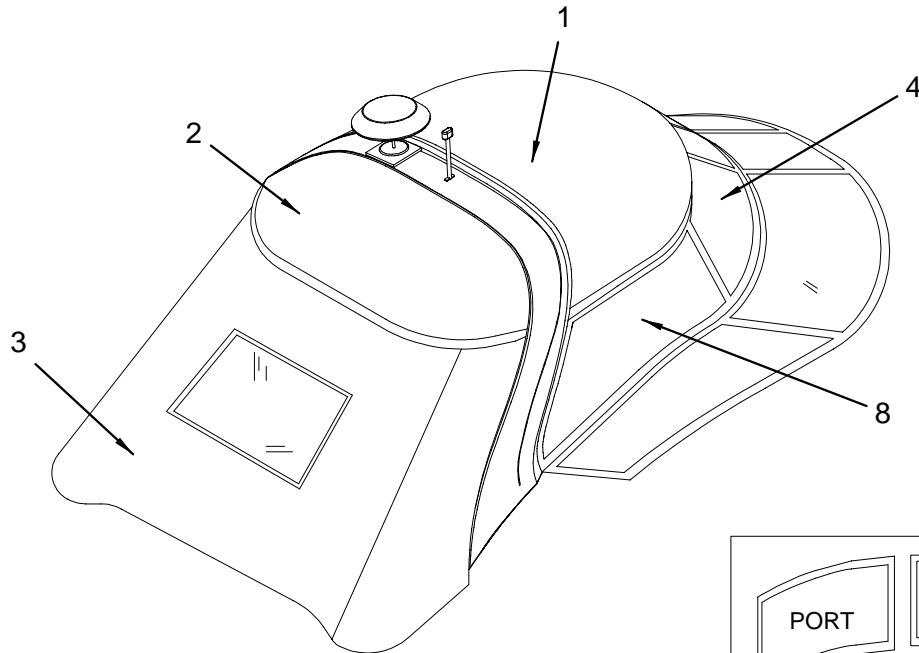
- 1876057 CANVAS, 260DA-07 CPC S/TOP BLK
- 1876059 CANVAS, 260DA-07 CPC S/TOP W/CAMP BLK

NOT SHOWN

- 1039320 PLASTIC, PHENOLIC 1/2"X 2'X 4' RICHLITE

CANVAS (BLUE) OPTIONAL SOFT TOP

SOFT TOP/SPOILER



CANVAS HARDWARE

SHOCK CORD CLIP	LACING KNOB	PLASTIC PULL TAB	INSERT	SLIDE
11	12	13	14	15

CANVAS (BLUE) OPTIONAL SOFT TOP

- 1 1852089 CANVAS, 260DA-07 FWD SNSHD S/TOP CAPT NVY
- 1848899 FRAME, ALUM 260DA-07 S/TOP FWD
- 2 1852092 CANVAS, 260DA-07 AFT SNSHD S/TOP CAPT NVY
- 1848900 FRAME, ALUM 260DA-07 S/TOP AFT
- 3 1851985 CANVAS, 260DA-07 AFT CURT S/TOP CAPT NVY
- 4 1851988 CANVAS, 260DA-07 VSR CURT S/TOP 3PC CLR/CPNVY
- 5 1889780 CANVAS, 260DA-07 VSR CURT S/TOP PRT CLR/CPNVY
- 6 1889782 CANVAS, 260DA-07 VSR CURT S/TOP CTR CLR/CPNVY
- 7 1889781 CANVAS, 260DA-07 VSR CURT S/TOP STB CLR/CPNVY
- 8 1851982 CANVAS, 260DA-07 SIDE CURT ST S/TOP CAPT NVY
- 9 1889788 CANVAS, 260DA-07 SIDE CURT PRT S/TOP CAPT NVY
- 10 1889789 CANVAS, 260DA-07 SIDE CURT STB S/TOP CAPT NVY
- 11 1778676 CLIP, SHOCKCORD/CVR WHT W/ELAS 04
(PART OF 1761645)
- 12 1761645 KNOB, SHOCKCORD LACING
- 13 1778677 CLIP, WHT PLAS TAB W/CORD
- 14 1760358 INSERT, DECK HINGE BALL/SOCKET BLK
- 15 1536069 SLIDE, W/S CANVAS TRACK STBD
- 1536051 SLIDE, W/S CANVAS TRACK PORT
- 1738744 KNOB, W/S CANVAS TRACK PRT & STB
(PART OF 1536069 & 1536051)

CAMPER

- 1872402 CANVAS, 260DA-07 CAMP TOP CMPLT S/TOP CAPT NVY
- 1875621 CANVAS, 260DA-07 CAMP TOP BOOT S/TOP CAPT NVY

COCKPIT COVER

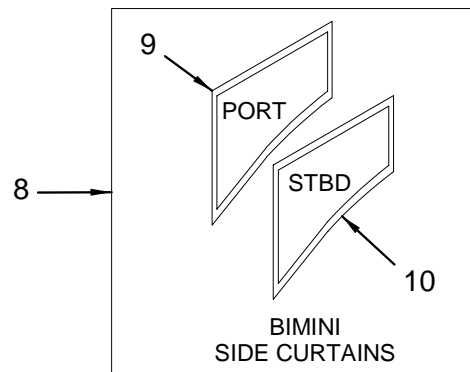
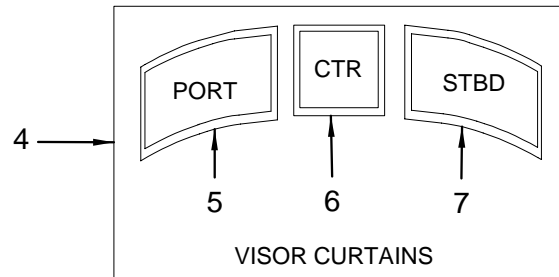
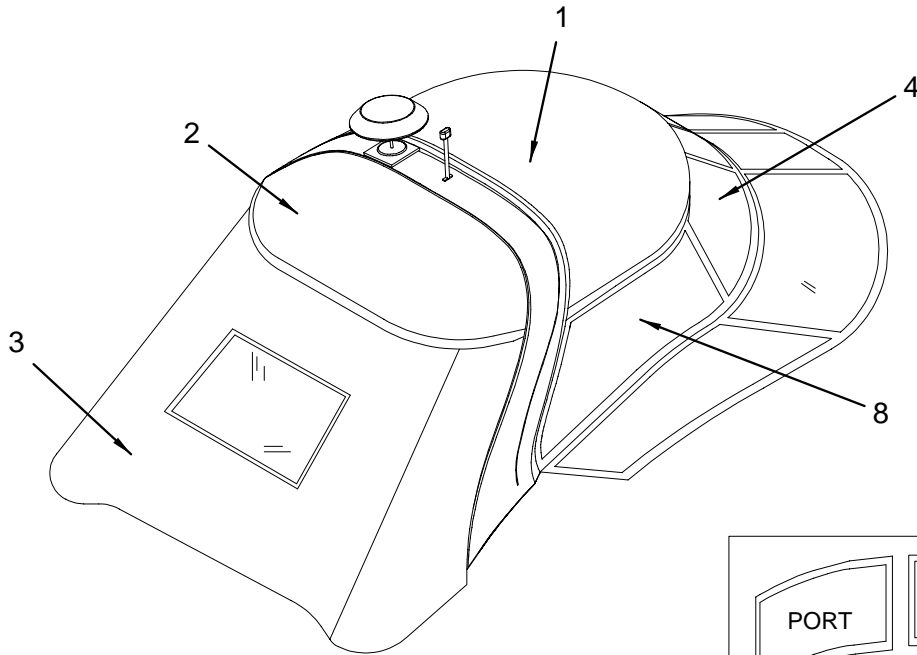
- 1876058 CANVAS, 260DA-07 CPC S/TOP CAPT NVY
- 1876060 CANVAS, 260DA-07 CPC S/TOP W/CAMP CAPT NVY

NOT SHOWN

- 1039320 PLASTIC, PHENOLIC 1/2"X 2'X 4' RICHLITE

CANVAS (WHITE) OPTIONAL SOFT TOP

SOFT TOP/SPOILER



CANVAS HARDWARE

SHOCK CORD CLIP	LACING KNOB	PLASTIC PULL TAB	INSERT	SLIDE
11	12	13	14	15

CANVAS (WHITE) OPTIONAL SOFT TOP

- 1 1852090 CANVAS, 260DA-07 FWD SNSHD S/TOP WHT
- 1848899 FRAME, ALUM 260DA-07 S/TOP FWD
- 2 1852093 CANVAS, 260DA-07 AFT SNSHD S/TOP WHT
- 1848900 FRAME, ALUM 260DA-07 S/TOP AFT
- 3 1851986 CANVAS, 260DA-07 AFT CURT S/TOP WHT
- 4 1851989 CANVAS, 260DA-07 VSR CURT S/TOP 3PC CLR/WHT
- 5 1889783 CANVAS, 260DA-07 VSR CURT S/TOP PRT CLR/WHT
- 6 1889785 CANVAS, 260DA-07 VSR CURT S/TOP CTR CLR/WHT
- 7 1889784 CANVAS, 260DA-07 VSR CURT S/TOP STB CLR/WHT
- 8 1851983 CANVAS, 260DA-07 SIDE CURT ST S/TOP WHT
- 9 1889790 CANVAS, 260DA-07 SIDE CURT PRT S/TOP WHT
- 10 1889791 CANVAS, 260DA-07 SIDE CURT STB S/TOP WHT
- 11 1778676 CLIP, SHOCKCORD/CVR WHT W/ELAS 04
(PART OF 1761645)
- 12 1761645 KNOB, SHOCKCORD LACING
- 13 1778677 CLIP, WHT PLAS TAB W/CORD
- 14 1760358 INSERT, DECK HINGE BALL/SOCKET BLK
- 15 1536069 SLIDE, W/S CANVAS TRACK STBD
- 1536051 SLIDE, W/S CANVAS TRACK PORT
- 1738744 KNOB, W/S CANVAS TRACK PRT & STB
(PART OF 1536069 & 1536051)

CAMPER

- 1872403 CANVAS, 260DA-07 CAMP TOP CMPLT S/TOP WHT
- 1889802 CANVAS, 260DA-07 CAMP TOP BOOT S/TOP WHT

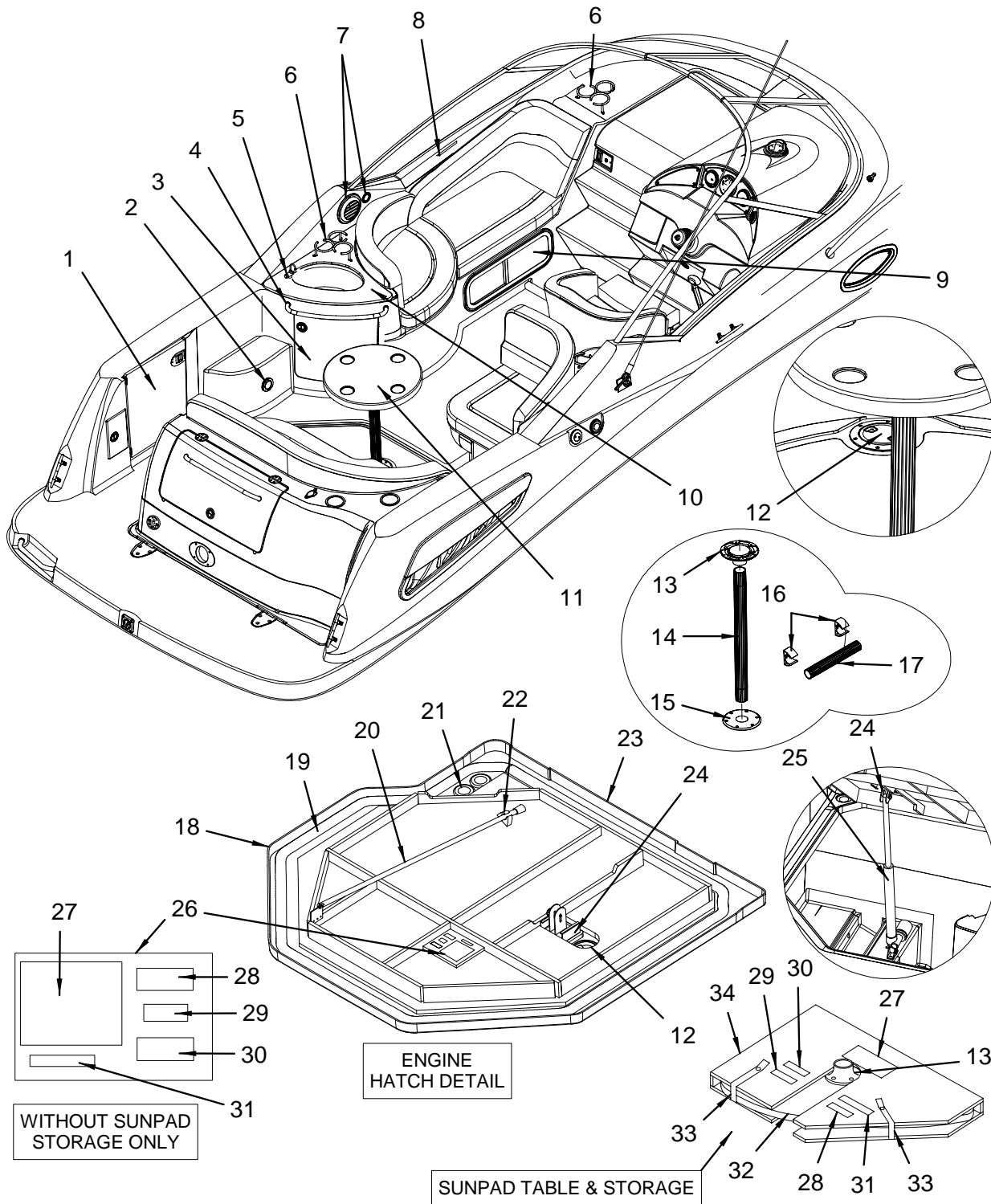
COCKPIT COVER

- 1889803 CANVAS, 260DA-07 CPC S/TOP WHT
- 1889804 CANVAS, 260DA-07 CPC S/TOP W/CAMP WHT

NOT SHOWN

- 1039320 PLASTIC, PHENOLIC 1/2"X 2'X 4' RICHLITE

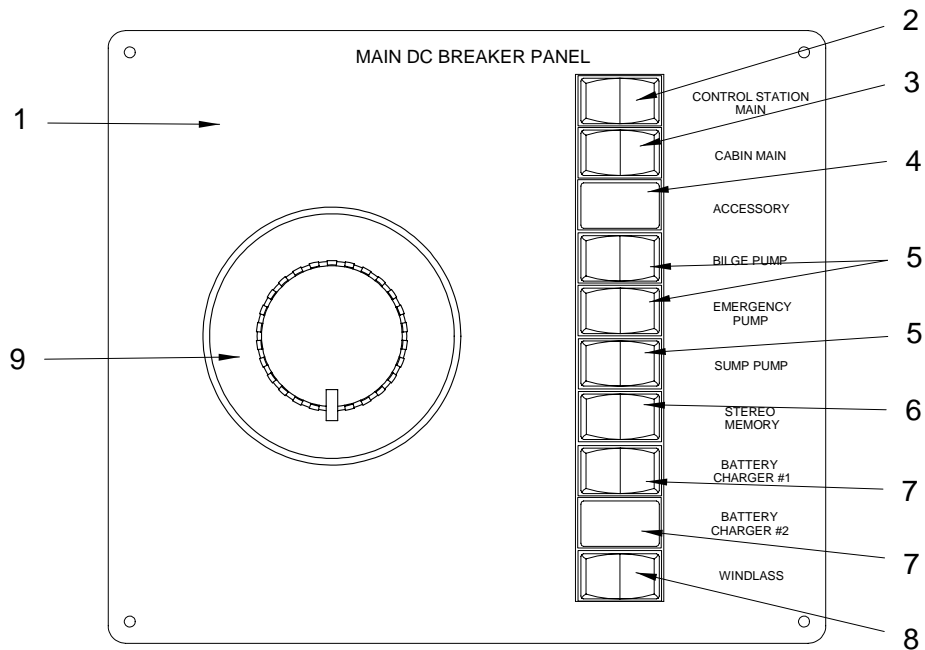
COCKPIT (PORT VIEW)



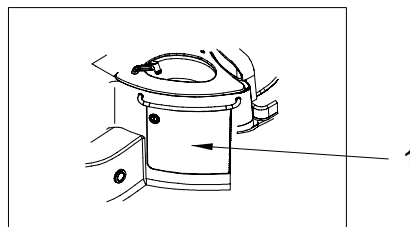
COCKPIT (PORT VIEW)

1	1773121	DOOR, PLEX 260DA-05 TRANSOM	23	1717452	PLATE, BACKING CKPT HATCH HINGE 4"X 4 13/16"
	1735577	LATCH, #78702 OMNI FLAT 3/4" N/LCK (PART OF 1773121)	24	1686744	BRACKET, 320DA-02 HATCH LIFT UPR
	1797136	HINGE, SS 1 7/8"X 1.5" GEM LUX 1678 (PART OF 1773121)	25	1799988	ACTUATOR, ELEC HATCH LIFT 18"12V 6000RPM
	1687583	SWITCH, MAGNETIC TRANS DOOR GRY	26	1872467	260DA 07,BOARD,ENG HATCH LABEL P/B
2	1771016	LIGHT, NAV STERN FLSH MNT RND CHR/BRS W/CONN	27	1744737	LABEL, DISCHARGE OF OIL (LEXAN)
	901199	BULB, STERN NAV LIGHT REPL #137406-1227412 (REPLACEMENT BULB FOR 1771016)	28	1745513	LABEL, WARNING LEAKING FUEL
3	1788276	DOOR, PLEX 260DA-05 WET BAR W/SS STHCO & MUFF	29	1745512	LABEL, STAY CLEAR OF MOVING PARTS ON ENGINE
	1781434	LATCH, FLUSH MNT N/LOCKING SLAM SS (PART OF 1788276)	30	1745156	LABEL, NOTICE OVERBOARD DISCHARGE (LEXAN) (VACUUM FLUSH HEAD W/ DIRECT OVER BOARD INTL) (MACERATOR W/ SEACOCK INTERLOCK SYSTEM)
	1781436	PLATE, FLAT BRKT 2"SHORT SCREW W/HDWR PKG (PART OF 1788276)	31	1746895	LABEL, CHECK BATTERY CELL FLUID LEVEL
	1797135	HINGE, SS 1.25"X 14" PIANO W/OFFSET HOLES (PART OF 1788276)	32	1819912	TABLE, TEAK 260DA-06 CKPT FLR W/CVR N/BASE (COCKPIT SUNPAD FILLER WITH TABLE)
	663708	BUMPER, CLEAR .020" THICK	33	1885027	260DA 07,STRAP,SUNPAD TBL STRG (COCKPIT SUNPAD FILLER WITH TABLE)
	133348	COOLER, 25QT	34	1885023	260DA 07,TBL STRG,ENG HATCH (COCKPIT SUNPAD FILLER WITH TABLE)
	1803708	PANEL, 260DA-06 MAIN DC BRKR W/BATT SW GAS (GAS ENGINE)	FOAM		
	1803710	PANEL, 260DA-06 MAIN DC BRKR W/BATT SW DSL (DIESEL ENGINE)	1772697	FOAM, P/C 260DA-05 CONV ENG HATCH 5PC	
4	1761871	RAIL, GRAB 260DA-05 WET BAR	1772698	FOAM, P/C 260DA-05 CE CONV ENG HATCH 5-PC (C E OPTION GROUP)	
5	1775010	FAUCET, FOLD DOWN SGL TAP CHR	LABELS		
6	1769432	HOLDER, DRINK SS 3-RING 3" TRIANGLE/SCREW DWN	1743571	LABEL, DANGER TRANSOM DOOR (LEXAN)	
7	1773439	SPEAKER, PANASONIC TWEETER/MIDRANGE/HRN N/CVR (SPEAKER/TWEETER COMBO)	1743616	LABEL, UNPLUG SHORE POWER WARNING	
	1771419	SPEAKER, PANASONIC EXT 6.5" MIDRANGE BLK (PART OF 1773439)	1744738	LABEL, RECEPTACLE 12V-15A MAX (LEXAN)	
	1885258	SPEAKER, PANASONIC EXT TWEETER/HRN N/CVR (PART OF 1773439)	1746901	LABEL, CAUTION BATTERY SWITCH OFF/ALT DAMAGED	
	1690558	GRILL, SPEAKER 6.5" ACOM WHT (SPEAKER COVER FOR 1771419)	1812911	LABEL, DANGER CO CABIN 06	
	1773442	GRILL, SPEAKER TWEETER ACOM WHT (TWEETER COVER FOR 1885258)	1888131	LABEL, WARNING ENG HATCH SUPPORT (HULL# 1356 -> UP)	
	1814548	SPEAKER, POLK/MOMO 6.5"MDRNG/TWTR/CRSOVR SLVR (PREMIER STEREO UPGRADE - POLK MOMO SYSTEM)	NOT SHOWN		
	1765974	SPEAKER, POLK/MOMO EXT 6.5" MID-RANGE N/CVR (PART OF 1814548)	154328	CLIP, XMAS TREE	
	1885022	GRILL, SPEAKER POLK/MOMO EXT 6.5" SLVR (SPEAKER COVER FOR 1765974)			
	1765975	SPEAKER, POLK/MOMO EXT 1" TWEETER BLK (PART OF 1814548)			
	1765976	(TWEETER COVER NOT REPLACEABLE)			
	1765976	SPEAKER, POLK/MOMO EXT TWEETER CUP BLK (PART OF 1814548)			
	1765977	SPEAKER, POLK/MOMO EXT CROSSOVER (PART OF 1814548)			
8	1780393	RAIL, GRAB 8.5" 316L SS W/GASKET			
9	1144138	WINDOW, CKPT SEAT 10"X 28" ARW 260DA-99			
	1183953	SCREEN, CKPT SEAT 10"X 28" ARW			
10	1761870	TOP, CORIAN 260DA-05 CKPT WET BAR SNDSTN			
11	864157	TABLE, T/F CKPT ROUND ARW 96 (COCKPIT TABLE)			
	609883	CLEAT, PLAS 3/4"X 1"X 4" GREY (COCKPIT TABLE)			
12	983692	ACCESS PLATE, POLYPROP W/ O-RING 4" WHT			
13	876979	BASE, LEG/POST SURF MT ALUM (COCKPIT TABLE)			
	1623883	(COCKPIT SUNPAD FILLER WITH TABLE)			
14	1623883	POST, TABLE LEG 2.25"X 27.25" ANOD TAPER (COCKPIT TABLE)			
	876961	(COCKPIT SUNPAD FILLER WITH TABLE)			
15	876961	BASE, LEG/POST FLUSH MT ALUM (COCKPIT TABLE)			
	1500552	(COCKPIT SUNPAD FILLER WITH TABLE)			
16	1500552	CLIP, TABLE LEG 60MM TUBE BLK (COCKPIT TABLE)			
	992495	(COCKPIT SUNPAD FILLER WITH TABLE)			
17	992495	POST, TABLE LEG 11.75" ANOD FLUTED (COCKPIT SUNPAD FILLER WITH TABLE)			
	1872177	260DA 07,HATCH,BLG FBRGLS			
	1656719	LATCH, FLUSH MOUNT ROUND T-HANDLE SS N/PAWL (HULL# 1053 -> UP)			
	1847666	(ADDED TO ASSIST HATCH LIFT IF ELECTRIC ACTUATOR FAILS)			
	1396142	PLATE, FLAT BRKT HDWR KIT			
19	1396142	MOLDING, FOAM RBR "D-SHAPE" 1.75" W/HAT ADH			
20	1847108	SUPPOT, SS SPCRUIS ENG HATCH 35"NON ADJ (HULL# 1012 -> UP)			
	326009	THRU-HULL, PLAS 2" WHT (FULL THREAD)			
21	326009	THRU-HULL, PLAS 2" WHT (FULL THREAD)			
22	590646	CLIP, POLE STRG BLK - MAST LIGHT (HULL# 1012 -> UP)			
	1683753	HINGE, SS 320DA-02 CKPT HATCH			
	1717451	PLATE, BACKING CKPT HATCH HINGE 1 3/16"X 8"			

MAIN DC BREAKER PANEL



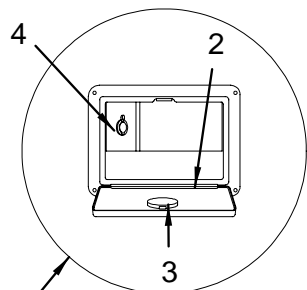
MAIN DC BREAKER PANEL LOCATED UNDER COCKPIT SINK



MAIN DC BREAKER PANEL

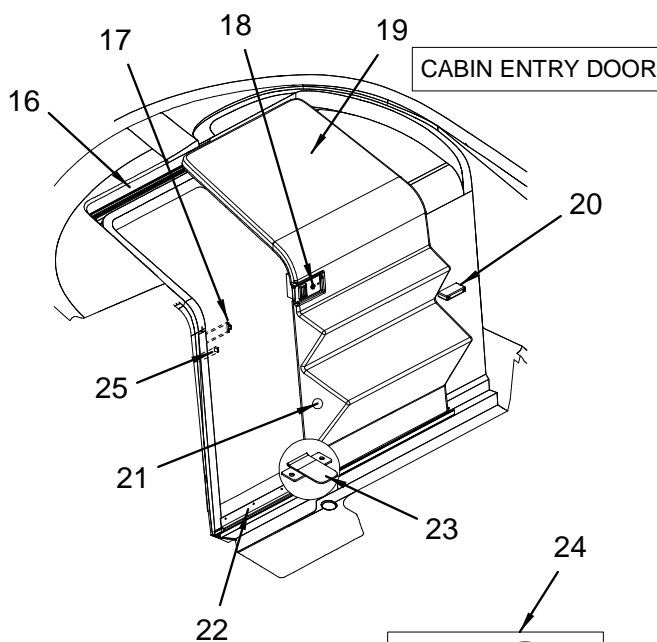
- 1 1803708 PANEL, 260DA-06 MAIN DC BRKR W/BATT SW GAS (GAS ENGINE)
- 1803709 PANEL, BLANK:260DA-06 MAIN DC BRKR W/BATT GAS (GAS ENGINE)
- 1803710 PANEL, 260DA-06 MAIN DC BRKR W/BATT SW DSL (DIESEL ENGINE)
- 1803711 PANEL, BLANK:260DA-06 MAIN DC BRKR W/BATT DSL (DIESEL ENGINE)
- 2 1181775 BRKR/ROCK, SGL-POLE MNL RSET DC IGNPRT 50A YL
- 3 1412006 BRKR/ROCK, SGL-POLE MNL RSET DC IGNPRT 30A YL
- 4 432872 PLUG, BRKR/ROCK
- 1181767 BRKR/ROCK, SGL-POLE MNL RSET DC IGNPRT 20A YL
- 5 1181726 BRKR/ROCK, SGL-POLE MNL RSET DC IGNPRT 5A YLW
- 6 1181759 BRKR/ROCK, SGL-POLE MNL RSET DC IGNPRT 15A YL
- 7 1181767 BRKR/ROCK, SGL-POLE MNL RSET DC IGNPRT 20A YL
- 8 1772527 BRKR/ROCK, SGL-POLE C-SERIES DC IGNPRT 50A LD (WINDLASS - ROPE/CHAIN)
(WINDLASS - CHAIN)
- 9 1726841 SWITCH, BATTERY ON/OFF N/LCK N/DISC RV1

COCKPIT (STARBOARD VIEW)



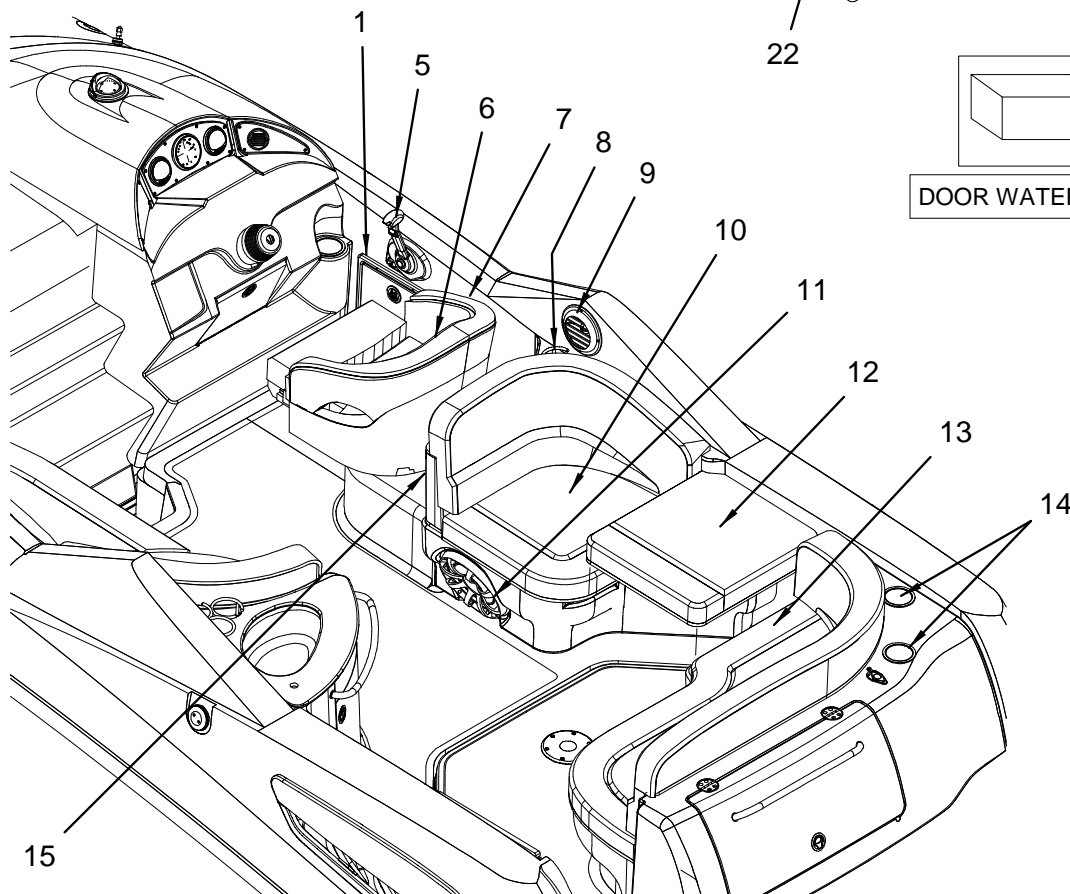
DRINK HOLDER

GLOVE BOX



CABIN ENTRY DOOR

DOOR WATER DAM TAPE

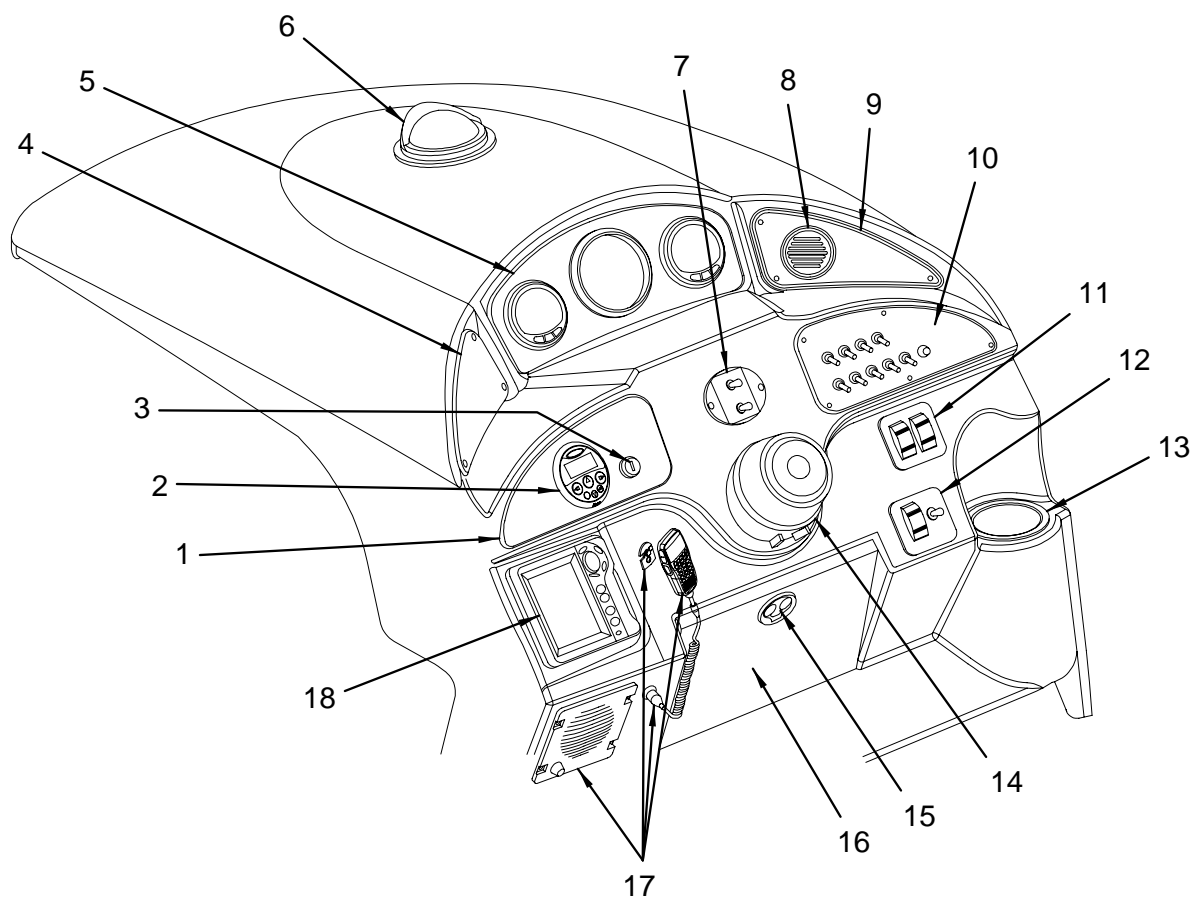


COCKPIT (STARBOARD VIEW)

LABELS

1	1767668	GLOVEBOX, DR/ABS 260DA-05 W/HINGE N/LATCH ARW	1743507	LABEL, DOOR MUST BE SECURED UNDERWAY
2	1797141	HINGE, ALUM CONT 1.25"X 10" WHT PWDRCT (PART OF 1767668)	1743548	LABEL, WARNING RUNNING BOAT W/DOOR OPEN
3	1781434	LATCH, FLUSH MNT N/LOCKING SLAM SS	1745122	LABEL, DANGER/WARNING COMBO CNTRL STA
	1781436	PLATE, FLAT BRKT 2"SHORT SCREW W/HDWR PKG	1745519	LABEL, DANGER SHUT OFF ENG WHEN NEAR SWIMMERS
4	1287283	RECEPTACLE, FEMALE 12V LONG THRD BLK		
	1259977	PLATE, FEMALE 12V RECEPTACLE MNT		
5	1754392	CONTROL, SIDE MNT LOCKBAR 4000 GEN II I/O (GAS ENGINE)		
	778928	LANYARD, COILED STOP SWITCH (PART OF 1754392)		
	1818687	CONTROL, VOLVO SIDE MNT ELECTRONIC (DIESEL ENGINE)		
	1847960	CONTROL, ACTUATOR SHIFT VOLVO (DIESEL ENGINE)		
6	1690924	SLIDE ASSY, SEAT SLIDE/SWWL LCKNG LO-PRO		
7	145136	RECEPTACLE, CORR RESISTANT GREY		
	180067	COVER PLATE, WATERPROOF RECEPT W/2 DOORS		
	627737	BOX, RECEPTACLE/SWITCH PVC 1-GANG DEEP		
	1787565	RECEPTACLE, LEVITON EXT W/CVR 220/50 GERMAN (220 VOLT / 50 CYCLE ELECTRICAL SYSTEM)		
8	1769432	HOLDER, DRINK SS 3-RING 3" TRIANGLE/SCREW DWN		
9	1773439	SPEAKER, PANASONIC TWEETER/MIDRANGE/HRN N/CVR (SPEAKER/TWEETER COMBO) (SEE COCKPIT HELM FOR TWEETER LOCATION)		
	1771419	SPEAKER, PANASONIC EXT 6.5" MIDRANGE BLK (PART OF 1773439)		
	1690558	GRILL, SPEAKER 6.5" ACOM WHT (SPEAKER COVER FOR 1771419)		
	1814548	SPEAKER, POLK/MOMO 6.5"MDRNG/TWTR/CRSOVR SLVR (PREMIER STEREO UPGRADE - POLK MOMO SYSTEM)		
	1765974	SPEAKER, POLK/MOMO EXT 6.5" MID-RANGE N/CVR (PART OF 1814548)		
	1885022	GRILL, SPEAKER POLK/MOMO EXT 6.5" SLVR (SPEAKER COVER FOR 1765974)		
	1765977	SPEAKER, POLK/MOMO EXT CROSSOVER (PART OF 1814548)		
10	137349	ACCESS PLATE, PLAS CVR 5" WHT		
	1760014	FRAME, ALUM 11.5"X 14.5" ARCWHT		
	609883	CLEAT, PLAS 3/4"X 1"X 4" GREY		
	1771439	COVER, HDPE ACCESS 14"X8"X1/4" W/1/2"RD ARW		
11	1764471	SPEAKER, POLK/MOMO 10" SUBWOOFER RV1 (PREMIER STEREO UPGRADE - POLK MOMO SYSTEM)		
	1753734	GRILL, 10" SUBWOOFER POLK/MOMO G10 SLVR (PREMIER STEREO UPGRADE - POLK MOMO SYSTEM)		
12	1776218	TAPE, P/C NON-SKID 260DA-05 AFT SEAT STEP		
13	1760014	FRAME, ALUM 11.5"X 14.5" ARCWHT		
	935809	FRAME, ALUM 12.5"X 22.5"X 2.5"R WHT		
	609883	CLEAT, PLAS 3/4"X 1"X 4" GREY		
14	1812917	HOLDER, DRINK SS 4"X 3" MUG SZ PLSHD RIM		
15	1872498	260DA 07,ACCESS PNL,CKPT HELM		
16	1758602	TRACK, ALUM ANOD SLIDE ASSY 43"UPR/50"LWR TLR		
17	826453	SHIM, DOOR STRIKER		
	1194521	SHIM, HDPE 1/4"X 1/2"X 1.75" ARW		
18	762872	LOCK, CABIN DOOR WHT PC ALUM		
	914010	LOCK, CABIN DOOR BLK ANOD ALUM (GEL-COATED DASH - NICKEL)		
	1736967	KEY, CABIN ENTRY MOBELLA (SPECIFY KEY#902)		
	1736968	KEY, CABIN ENTRY MOBELLA (SPECIFY KEY#911)		
	1736969	KEY, CABIN ENTRY MOBELLA (SPECIFY KEY#912)		
	1736970	KEY, CABIN ENTRY MOBELLA (SPECIFY KEY#915)		
	1736971	KEY, CABIN ENTRY MOBELLA (SPECIFY KEY#917)		
	1736972	KEY, CABIN ENTRY MOBELLA (SPECIFY KEY#929)		
	1736973	KEY, CABIN ENTRY MOBELLA (SPECIFY KEY#948)		
	1736974	KEY, CABIN ENTRY MOBELLA (SPECIFY KEY#932)		
	1736975	KEY, CABIN ENTRY MOBELLA (SPECIFY KEY#938)		
	1736976	KEY, CABIN ENTRY MOBELLA (SPECIFY KEY#943)		
	1737704	KEY, CABIN ENTRY MOBELLA (SPECIFY KEY#918)		
19	1872172	260DA 07,DOOR,ENTR CMPLT FBRGLS (SPECIFY GEL COAT COLOR. ARTIC WHITE OR NICKEL)		
	912774	NOSING, VINYL 1"X 1/4"X 12" RIGID SR WHT		
	972307	NOSING, ALUM 5/8"X 8" T-1 ROUNDED BRITE BUFF		
20	1286947	STOP, HDPE 3/4"X 2"X 4" ENTRYWAY DOOR ARW		
21	663708	BUMPER, CLEAR .020" THICK		
22	1772687	THRESHOLD, SS 260DA-05 ENTRYWAY		
23	1340959	STOP, SLIDING DOOR/WINDOW CHR HVY DTY		
24	1798205	GASKET, 3/8"BULB X 1"X 1/8"WALL W/HATS TAPE (CABIN ENTRY DOOR WATER DAM TAPE)		
25	501528	BUMPER, BLACK SQUARE BUMPER		

COCKPIT (HELM)



COCKPIT (HELM)

- 1 1840221 PANEL, 260DA-07 DASH SW PRT GAS SR MAHOGANY (HULL# 1124 -> UP) (GAS ENGINE)
- 1803579 PANEL, 260DA-06 DASH SW PRT GAS SR MAHOGANY (HULL# 1001 -> 1123) (GAS ENGINE)
- 1803577 PANEL, BLANK:260DA/270AJ-06 DASH SW PRT GAS (BLANK FOR PANELS 1840221 AND 1803579) (GAS ENGINE)
- 1803581 PANEL, 260DA-06 DASH SW PRT DSL SR MAHOGANY (DIESEL ENGINE)
- 1803578 PANEL, BLANK:260DA/270AJ-06 DASH SW PRT DSL (BLANK FOR PANEL 1803581) (DIESEL ENGINE)
- 2 1799348 STEREO, REMOTE CNTRL W/DSPK BLK FACE/SS BZL
- 1312750 CABLE, CLARION REMOTE EXTENSION CABLE 24'
- 3 1409366 SWITCH, IGN STARTER
- 1403161 KEY, IGN W/RUBBER SR GRIP "J"
- 1403179 KEY, IGN W/RUBBER SR GRIP "K"
- 1403187 KEY, IGN W/RUBBER SR GRIP "L"
- 1403195 KEY, IGN W/RUBBER SR GRIP "M"
- 1403203 KEY, IGN W/RUBBER SR GRIP "P"
- 1403211 KEY, IGN W/RUBBER SR GRIP "S"
- 1403229 KEY, IGN W/RUBBER SR GRIP "R"
- 1403237 KEY, IGN W/RUBBER SR GRIP "N"
- 1449818 KEY, IGN W/RUBBER SR GRIP "BLANK"
- 4 1766461 PANEL, BLANK:260DA-05 PRT N/CUTOUT BLK CORAL (GAS ENGINE)
- 1799391 PANEL, BLANK:260DA PRT W/FUEL/TRM DSL D4/D6 (DIESEL ENGINE)
- 5 1766233 PANEL, BLANK:260DA-05 INST W/S-CRFT BLK CORAL (GAS ENGINE)
- 1799384 PANEL, BLANK:260DA-06 INST DSL D4/D6 BLK CRL (DIESEL ENGINE)
- 6 1776899 COMPASS, FLUSH MT 4 3/16" WHT W/CONN
- 1776900 COMPASS, FLUSH MT 4 3/16" BLK W/CONN (GEL COATED DASH - NICKEL)
- 1798174 BULB, COMPASS REPL (SUNSHADE) (REPLACEMENT BULB FOR 1776899 & 1776900)
- 1798175 BULB, COMPASS REPL (FRONT) (REPLACEMENT BULB FOR 1776899 & 1776900)
- 7 1755306 CONTROL, SEARCH LIGHT N/HARNESS (SPOTLIGHT, 5" REMOTE CONTROLLED)
- 8 1773439 SPEAKER, PANASONIC TWEETER/MIDRANGE/HRN N/CVR (SPEAKER/TWEETER COMBO)
- 1773443 GRILL, SPEAKER TWEETER ACOM CHR (TWEETER COVER FOR 1885258 AT HELM ONLY)
- 1885258 SPEAKER, PANASONIC EXT TWEETER/HRN N/CVR (PART OF 1773439)
- 1814548 SPEAKER, POLK/MOMO 6.5"MDRNG/TWTR/CRSOVR SLVR (PREMIER STEREO UPGRADE - POLK MOMO SYSTEM)
- 1765975 SPEAKER, POLK/MOMO EXT 1" TWEETER BLK (PART OF 1814548) (TWEETER COVER NOT REPLACEABLE)
- 1765976 SPEAKER, POLK/MOMO EXT TWEETER CUP BLK (PART OF 1814548)
- 1765977 SPEAKER, POLK/MOMO EXT CROSSOVER (PART OF 1814548)
- 9 1766468 PANEL, BLANK:260DA-05 STB W/ACOM TWTR BLK CRL (GAS ENGINE)
- 1799392 PANEL, BLANK:260DA STB W/OIL/ALRM DSL D4/D6 (DIESEL ENGINE)
- 1766469 PANEL, BLANK:260DA-05 STB W/MOMO TWTR BLK CRL (PREMIER STEREO UPGRADE - POLK MOMO SYSTEM)
- 10 1840220 PANEL, 260DA-07 DASH SW STB SR MAHOGANY (HULL# 1124 -> UP)
- 1840218 PANEL, BLANK:260DA-07 DASH SW STB (BLANK FOR PANEL 1840220)
- 1808471 PANEL, 260DA-06 DASH SW STB SR MAHOGANY (HULL# 1001 -> 1123)
- 1766035 PANEL, BLANK:260DA-05 DASH SW STB (BLANK FOR PANEL 1808471)
- 11 1766729 PANEL, 260DA-05 TRIM TAB SW
- 709493 BODY, ROCK SW DPDT (MOM) CEN-OFF W/O LAMP
- 709501 ACTUATOR, ROCK VERT BLK W/O LENS TRIM TABS
- 12 1485754 PANEL, WINDLASS SWITCH CNTRL BLK FOIL (WINDLASS - ROPE/CHAIN)
- 1850481 ACTUATOR, WNDLS SW (PART OF 1485754)
- 1850487 SWITCH, BODY ROCK DPDT ON/OFF/ON (PART OF 1485754)
- 1772527 BRKR/ROCK, SGL-POLE C-SERIES DC IGNPRT 50A LD (WINDLASS - ROPE/CHAIN)
- 1762153 HARNESS, 260DA-05 WINDLASS CONTROL (WINDLASS - CHAIN)

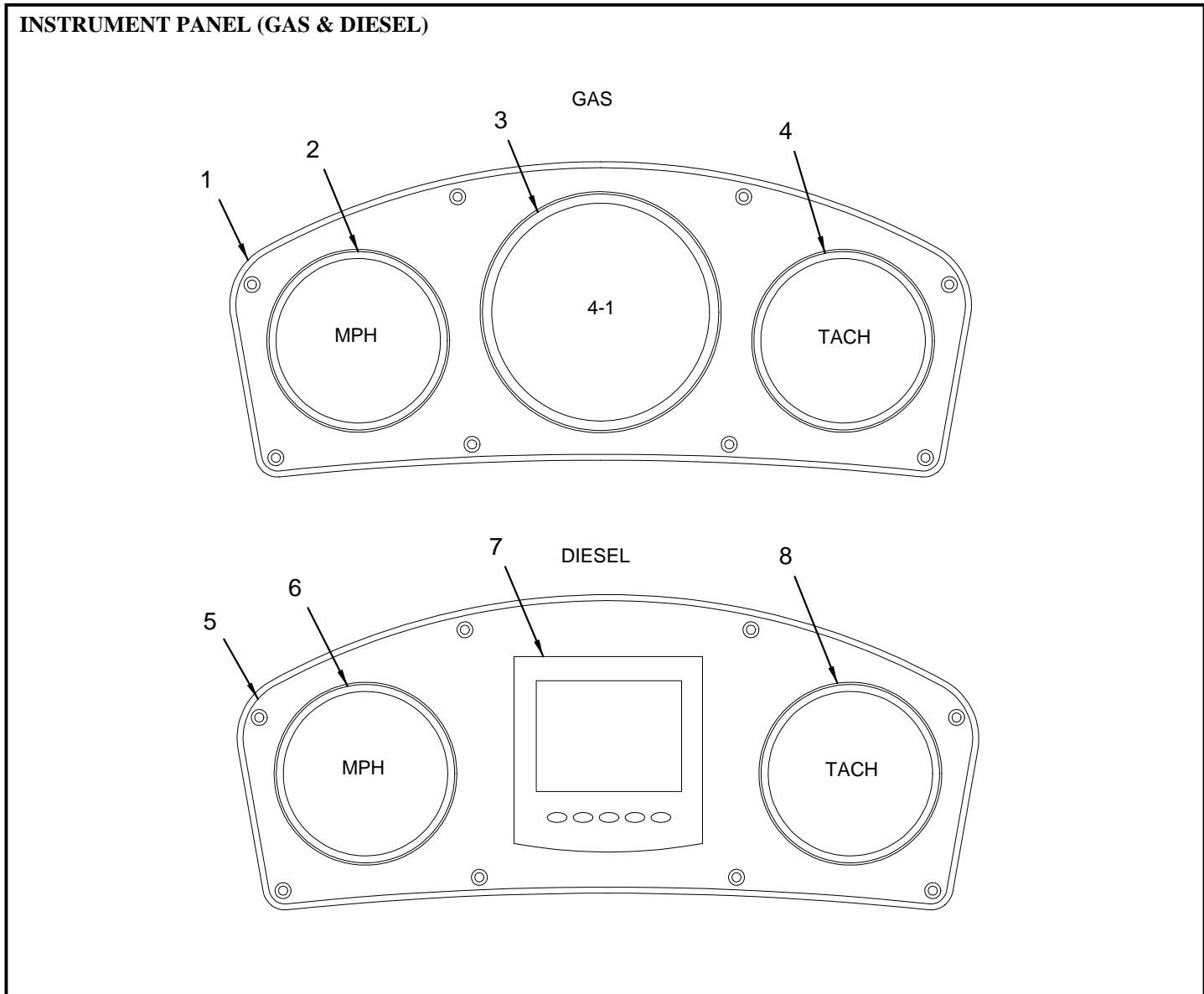
- 12 1762154 (WINDLASS - CHAIN) HARNESS, 260DA-05 WINDLASS CABLE/DISCONNECT (WINDLASS - ROPE/CHAIN) (WINDLASS - CHAIN)
- 13 1812917 HOLDER, DRINK SS 4"X 3" MUG SZ PLSHD RIM
- 14 662510 STEERING, PERFORMANCE TILT MECHANISM
- 126987 STEERING, MOUNT 90 DEG BEZEL ONLY (PART OF 662510)
- 958439 STEERING, BELLOWS TILT STEERING BLK (PART OF 662510)
- 15 1781434 LATCH, FLUSH MNT N/LOCKING SLAM SS (PART OF 1788274 & 1788275)
- 1781436 PLATE, FLAT BRKT 2" SHORT SCREW W/HDR PKG (PART OF 1788274 & 1788275)
- 16 1788274 DOOR, HDPE 260DA-05 HLM ACCES W/SS STHCO ARW
- 1788275 DOOR, HDPE 260DA-05 HLM ACCES W/SS STHCO NCKL (GEL COATED DASH - NICKEL)
- 1800071 HINGE, SS 1 1/16" X 11" PIANO (PART OF 1788274 & 1788275)
- 17 1807449 RADIO, VHF NRTHSTAR NS100
- 1807910 RADIO, VHF NRTHSTR BLKBOX HANDSET (PART OF 1807449)
- 1807911 SPEAKER, REMOTE NRTHSTR VHF BLKBOX (PART OF 1807449)
- 1807908 BASE, PLAS NRTHSTR VHF RADIO BLKBOX (PART OF 1807449)
- 1807871 HARNESS, NRTHSTR VHF BLKBOX PWR CBL 6' (PART OF 1807449)
- 1807870 HARNESS, NRTHSTR VHF BLKBOX SPKR-HNDSET EXT 3' (PART OF 1807449)
- 1807869 HARNESS, NRTHSTR VHF BLKBOX TO SPKR CBL 72" (PART OF 1807449)
- 18 1884500 CHART PLOTTER, NAVMAN 5505 5" DISPLAY ONLY (HULL# 1089 -> UP) (PART OF 1851045)
- 1770912 FLUSH MOUNT KIT, NAVMAN 4100FFNDR/5505CHRTPLT (HULL# 1089 -> UP) (PART OF 1851045)
- 1884499 HARNESS, NAVMAN 5505 POWER CBL (HULL# 1089 -> UP) (PART OF 1851045)
- 1796866 SUN CVR, NAVMAN 5500 (PART OF 1851045 & 1772659)
- 1785965 ANTENNA, GPS NAVMAN 1330 (PART OF 1851045 & 1772659)
- 1884501 MOUNTING, BRCKT NAVMAN 1330 GPS (HULL# 1089 -> UP) (PART OF 1851045)
- 1851045 CHART PLOTTER, NAVMAN 5505 CMPLT PKG 5"DISPLY (HULL# 1089 -> UP) (GPS / CHARTPLOTTER - NAVMAN)
- 788703 ANTENNA, EXTENSION 24" GPS ALUM/POLY (GPS / CHARTPLOTTER - NAVMAN)
- 706721 FUSE, BLADE TYPE ATC 1A (GPS / CHARTPLOTTER - NAVMAN)
- 788711 MOUNT, ANTENNA DECK GPS SS (GPS/CHARTPLOTTER/NAVMAN W/ARCH)
- 1773109 HARNESS, NAVMAN GPS EXTENSION CABLE (GPS/CHARTPLOTTER/NAVMAN W/ARCH)
- 1773106 CHART PLOTTER, NAVMAN 5500 5"DISPLY ONLY (HULL# 1001 -> 1088) (PART OF 1772659)
- 1773108 HARNESS, NAVMAN POWER CABLE (HULL# 1001 -> 1088) (PART OF 1772659)
- 1772659 CHART PLOTTER, NAVMAN 5500 CMPLT PKG 5"DISPLY (HULL# 1001 -> 1088) (GPS / CHARTPLOTTER - NAVMAN)

LABELS

- 1752709 PLATE, NMMA YACHT CERT GAS
- 1784460 PLATE, CE OPT C:260DA/10PERSON/950KG (C E OPTION GROUP)
- 1741204 LABEL, STICKER 260DA CANADIAN CONFORMITY (CANADIAN CONFORMITY STICKER)
- 1888215 PLATE, BUILDERS AU 07-260DA (FOR BOATS BUILT IN 2007) (AUSTRALIAN BUILDERS PLATE)
- 1850618 PLATE, BUILDERS AU 06-260DA (FOR BOATS BUILT IN 2006) (AUSTRALIAN BUILDERS PLATE)
- 1811368 LABEL, DANGER CO HELM 06
- 1873124 LABEL, U.S. PATENT (HULL# 1106 -> UP)

NOT SHOWN

- 1501782 HOSE, CONDUIT/SPLIT 1/2" FLAME RETARDANT
- 1771022 ACC PART, MERC ALARM BUZZER W/HARNESS W/CONN
- 856708 NOSING, VINYL 1"X 1/4"X 10' RIGID MALT
(GEL-COATED DASH - NICKEL)
- 1847396 PANEL, TRIM VOLVO
(DIESEL ENGINE)

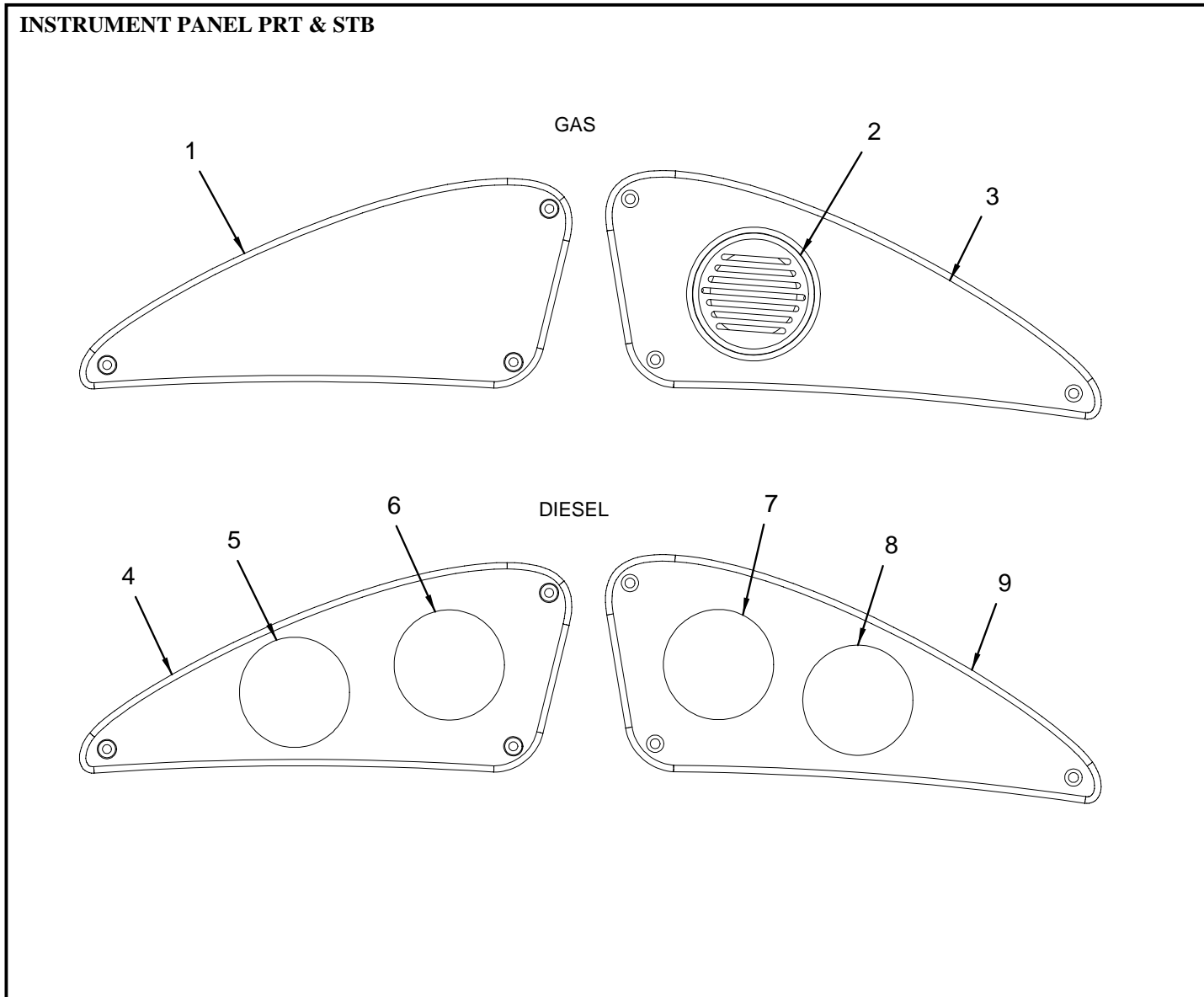


INSTRUMENT PANEL (GAS & DIESEL)

- 1 1766233 PANEL, BLANK:260DA-05 INST W/S-CRFT BLK CORAL
- 2 1689917 GAUGE, LINK SPEED 3" S-CRFT 0-70MPH
- 1690381 NUT, LOCK 85MM SPIN LOCK VDO
- 1727800 PITOT, S/CRFT SPEEDO KIT SML BLOCK
- 3 1768244 GAUGE, 5" 4-IN-1 FUEL/OIL/TMP/TRIM S-CRFT
- 1690382 NUT, LOCK 110MM SPIN LOCK VDO
- 4 1777617 GAUGE, SYS TACH 3" S-CRFT 0-7000RPM RV2
- 1690381 NUT, LOCK 85MM SPIN LOCK VDO
- 5 1799384 PANEL, BLANK:260DA-06 INST DSL D4/D6 BLK CRL
- 6 1847397 GAUGE, SPEEDO 0-70 MPH VOLVO
- 1847406 GAUGE, INST MNTG KIT 85MM VOLVO
- 7 1847958 GAUGE, EVC LCD DISPLAY W/TRIP SOFTWARE
- 1847950 HARNESS, EVC KIT MAIN STA SNGL VOLVO
- 1847949 RELAY, ACCY CNTRL 12V VOLVO
- 1847953 HARNESS, Y-SPLIT CABLE VOLVO
- 1847954 HARNESS, PCU TO HCU CABLE 7M VOLVO
- 8 1847399 GAUGE, TACH LCD DISPLAY VOLVO D4/D6
- 1847406 GAUGE, INST MNTG KIT 85MM VOLVO

NOT SHOWN

- 1507292 HARNESS, ENG SYSTEMS TACH/MONITOR
(HULL# 1131 -> UP)
- 1507326 ACC PART, MERC S-CRFT JUNC BOX 4-WAY
(HULL# 1131 -> UP)

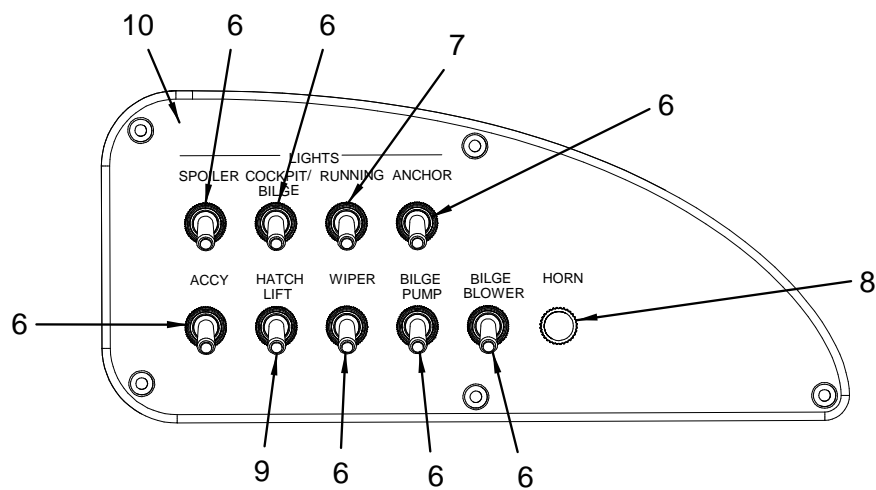
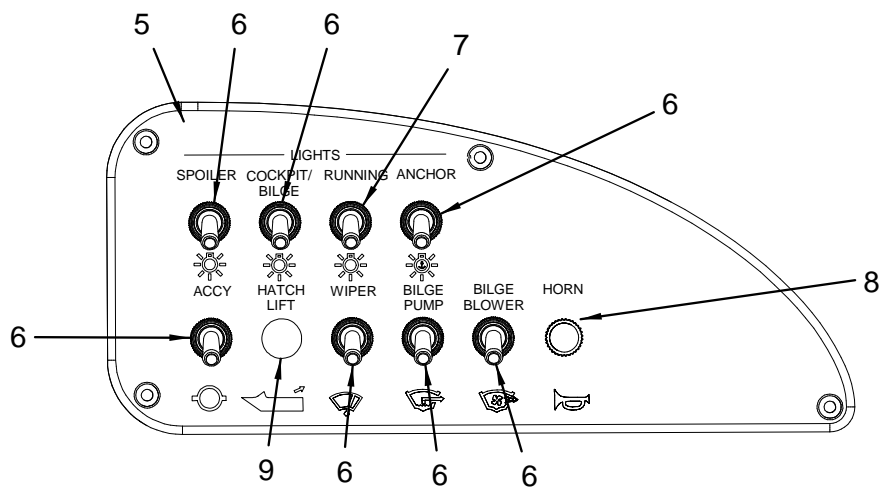
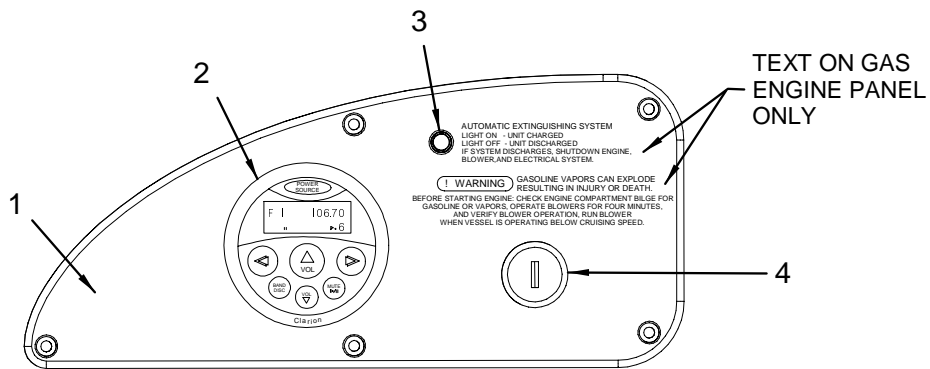


INSTRUMENT PANEL PRT & STB

- 1 1766461 PANEL, BLANK:260DA-05 PRT N/CUTOUT BLK CORAL
- 2 1773439 SPEAKER, PANASONIC TWEETER/MIDRANGE/HRN N/CVR (SPEAKER/TWEETER COMBO)
- 1773443 GRILL, SPEAKER TWEETER ACOM CHR (TWEETER COVER FOR 1885258 AT HELM ONLY)
- 1885258 SPEAKER, PANASONIC EXT TWEETER/HRN N/CVR (PART OF 1773439)
- 1814548 SPEAKER, POLK/MOMO 6.5"MDRNG/TWTR/CRSOVR SLVR (PREMIER STEREO UPGRADE - POLK MOMO SYSTEM)
- 1765975 SPEAKER, POLK/MOMO EXT 1" TWEETER BLK (PART OF 1814548) (TWEETER COVER NOT REPLACEABLE)
- 1765976 SPEAKER, POLK/MOMO EXT TWEETER CUP BLK (PART OF 1814548)
- 1765977 SPEAKER, POLK/MOMO EXT CROSSOVER (PART OF 1814548)
- 3 1766468 PANEL, BLANK:260DA-05 STB W/ACOM TWTR BLK CRL
- 1766469 PANEL, BLANK:260DA-05 STB W/MOMO TWTR BLK CRL (PREMIER STEREO UPGRADE - POLK MOMO SYSTEM)
- 4 1799391 PANEL, BLANK:260DA PRT W/FUEL/TRM DSL D4/D6
- 5 1847402 GAUGE, FUEL VOLVO
- 1847405 GAUGE, INST MNTG KIT 52MM VOLVO
- 6 1847401 GAUGE, TRIM VOLVO D3/D4/D6
- 1847405 GAUGE, INST MNTG KIT 52MM VOLVO
- 7 1847400 GAUGE, TEMP C VOLVO
- 1847405 GAUGE, INST MNTG KIT 52MM VOLVO

- 8 1847403 GAUGE, ALARM VOLVO
- 1847405 GAUGE, INST MNTG KIT 52MM VOLVO
- 9 1799392 PANEL, BLANK:260DA STB W/OIL/ALRM DSL D4/D6

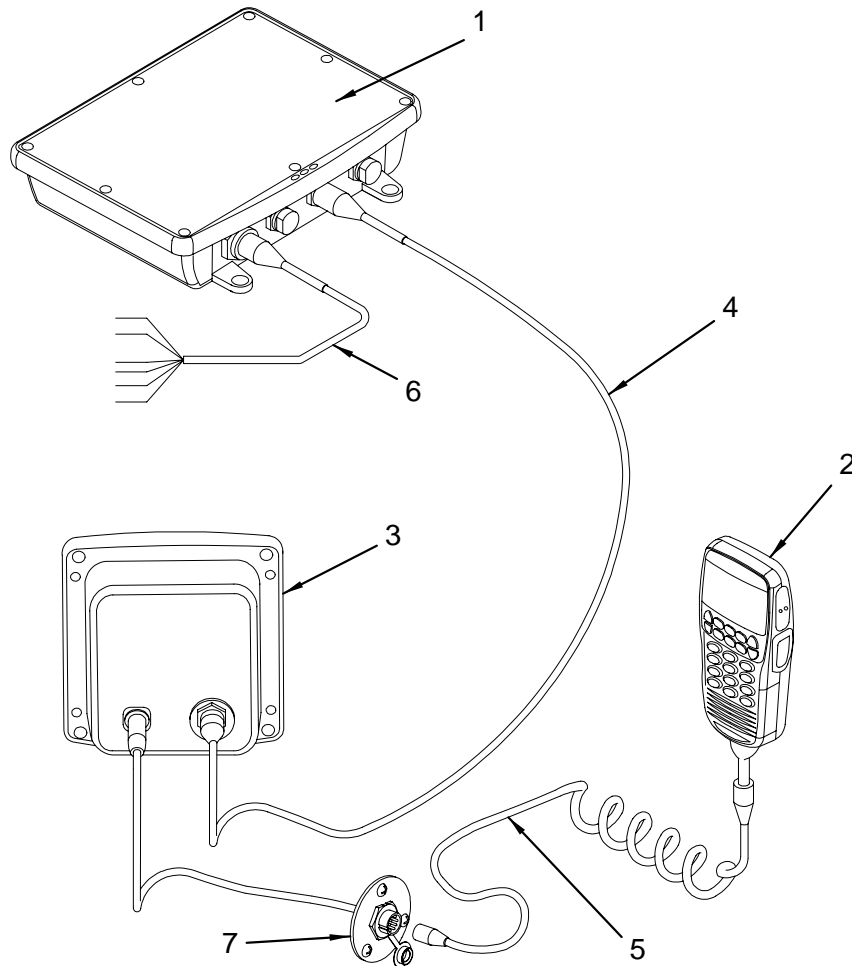
SWITCH PANEL



SWITCH PANEL

- 1 1840221 PANEL, 260DA-07 DASH SW PRT GAS SR MAHOGANY
(HULL# 1124 -> UP)
(GAS ENGINE)
- 1803579 PANEL, 260DA-06 DASH SW PRT GAS SR MAHOGANY
(HULL# 1001 -> 1123)
(GAS ENGINE)
- 1803577 PANEL, BLANK:260DA/270AJ-06 DASH SW PRT GAS
(BLANK FOR PANELS 1840221 AND 1803579)
(GAS ENGINE)
- 1803581 PANEL, 260DA-06 DASH SW PRT DSL SR MAHOGANY
(DIESEL ENGINE)
- 1803578 PANEL, BLANK:260DA/270AJ-06 DASH SW PRT DSL
(BLANK FOR PANEL 1803581)
(DIESEL ENGINE)
- 2 1799348 STEREO, REMOTE CNTRL W/DSPL BLK FACE/SS BZL
- 1312750 CABLE, CLARION REMOTE EXTENSION CABLE 24'
- 3 1799844 HALON SYS, INDICATOR LIGHT 12V GRN
(GAS ENGINES ONLY - SUPPLIED WITH HALON OR FIRE
EXTINGUISHING SYSTEMS)
- 4 1409366 SWITCH, IGN STARTER
- 1403161 KEY, IGN W/RUBBER SR GRIP "J"
- 1403179 KEY, IGN W/RUBBER SR GRIP "K"
- 1403187 KEY, IGN W/RUBBER SR GRIP "L"
- 1403195 KEY, IGN W/RUBBER SR GRIP "M"
- 1403203 KEY, IGN W/RUBBER SR GRIP "P"
- 1403211 KEY, IGN W/RUBBER SR GRIP "S"
- 1403229 KEY, IGN W/RUBBER SR GRIP "R"
- 1403237 KEY, IGN W/RUBBER SR GRIP "N"
- 1449818 KEY, IGN W/RUBBER SR GRIP "BLANK"
- 5 1840220 PANEL, 260DA-07 DASH SW STB SR MAHOGANY
(HULL# 1124 -> UP)
- 1840218 PANEL, BLANK:260DA-07 DASH SW STB
(BLANK FOR PANEL 1840220)
- 1815227 FUSE BLOCK, 260DA-06 DASH PNL
- 6 1757312 SWITCH, TOGGLE CHR W/BLU IND SPST
- 1737371 WASHER, LOCK INT TOOTH NCKL PLATED
- 1787018 NUT, NICKEL FOR TOGGLE SWITCH
- 7 1761354 SWITCH, TOGGLE CHR W/BLU IND DPST
- 1737371 WASHER, LOCK INT TOOTH NCKL PLATED
- 1787018 NUT, NICKEL FOR TOGGLE SWITCH
- 8 762955 SWITCH, HORN
- 9 1757313 SWITCH, TOGGLE CHR W/BLU IND DPDT W/REV CIR
- 10 1808471 PANEL, 260DA-06 DASH SW STB SR MAHOGANY
(HULL# 1001 -> 1123)
- 1766035 PANEL, BLANK:260DA-05 DASH SW STB
(BLANK FOR PANEL 1808471)
- 1815227 FUSE BLOCK, 260DA-06 DASH PNL

NORTHSTAR NS100SS VHF RADIO



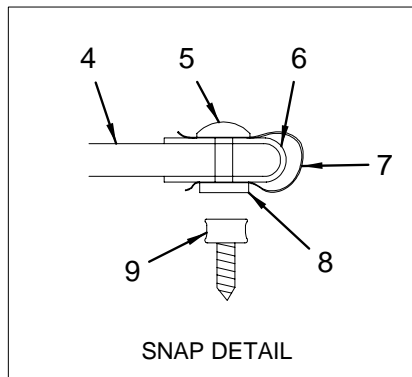
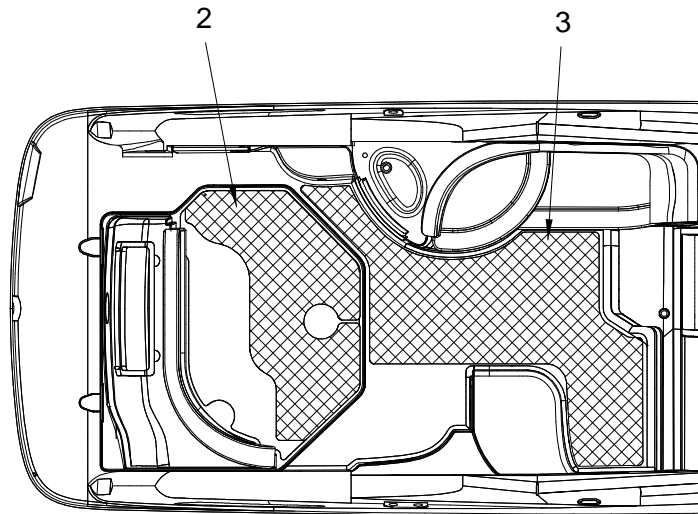
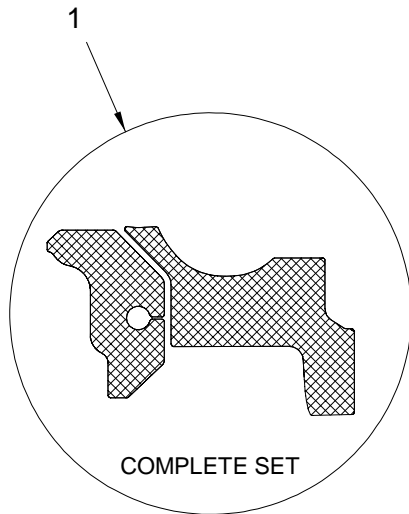
NORTHSTAR NS100SS VHF RADIO

- 1 1807908 BASE, PLAS NRTHSTR VHF RADIO BLKBOX
- 2 1807910 RADIO, VHF NRTHSTR BLKBOX HANDSET
1851777 RADIO, VHF MIC CLIP ONLY
- 3 1807911 SPEAKER, REMOTE NRTHSTR VHF BLKBOX
- 4 1807869 HARNESS, NRTHSTR VHF BLKBX TO SPKR CBL 72"
- 5 1807870 HARNESS, NRTHSTR VHF BLKBX SPKR-HNDSET EXT 3'
- 6 1807871 HARNESS, NRTHSTR VHF BLKBX PWR CBL 6'
- 7 1878760 RADIO, VHF MIC PLATE BLK

NOT SHOWN

- 1807449 RADIO, VHF NRTHSTAR NS100
(COMPLETE KIT - COMPONENTS LISTED ABOVE)

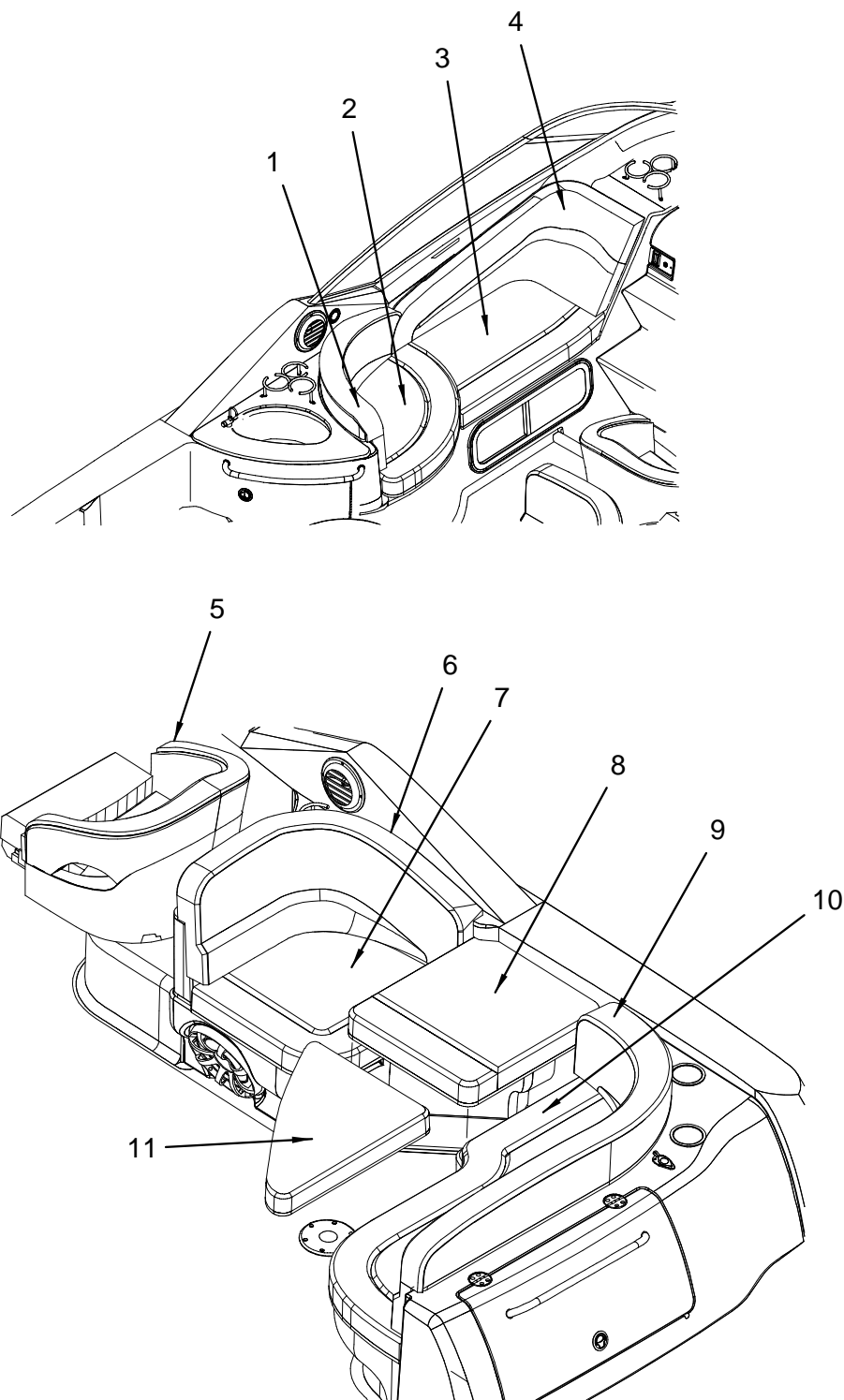
COCKPIT SNAP-IN CARPET LINER OPTION



COCKPIT SNAP-IN CARPET LINER OPTION

- 1 1872462 260DA 07,CARPET,SNPN LINER N/TBL 2PC
- 1872463 260DA 07,CARPET,SNPN LINER W/TBL 2PC
(COCKPIT TABLE)
(COCKPIT SUNPAD FILLER WITH TABLE)
- 2 1872464 260DA 07,CARPET,SNPN LINER AFT N/TBL
- 1872465 260DA 07,CARPET,SNPN LINER AFT W/TBL
(COCKPIT TABLE)
(COCKPIT SUNPAD FILLER WITH TABLE)
- 3 1872466 260DA 07,CARPET,SNPN LINER HELM
- 4 1609916 CARPET, EXT 28 OZ DUNE PEBBLE #902 RL 7"W
- 5 154401 SNAP BUTTON, W/1/4" BARREL
- 6 839720 BINDING, CANVAS 1" LINEN BIAS SUNBRELLA
- 7 1790664 SNAP REINFORCEMENT, PLAS BACKER 500 PC/ROLL
- 8 154393 SNAP SOCKET, MED ACTION
- 9 154369 SNAP STUD, W/#8 X 3/8" PH SS

COCKPIT (UPHOLSTERY)



COCKPIT (UPHOLSTERY)

1	1872175	260DA 07,BLSTR,AFT CKPT LNGR
	1872176	260DA 07,BLSTR SKN,AFT CKPT LNGR
2	1872173	260DA 07,CUSH,AFT CKPT LNGR
	1872174	260DA 07,CUSH SKN,AFT CKPT LNGR
3	1872168	260DA 07,CUSH,FWD CKPT LNGR
	1872169	260DA 07,CUSH SKN,FWD CKPT LNGR
4	1872170	260DA 07,BLSTR,FWD CKPT LNGR
	1872171	260DA 07,BLSTR SKN,FWD CKPT LNGR
	1775462	INSERT, 260DA-05 SCRPT FWD BLSTR SBRSEAWHT
5	1799771	BKT SEAT, SPCR-05 W/THGHS OMNOVA W/BCK SCRPT
	1804049	BKT SEAT, SPCR-05 W/THRS SKN CMPLT OMNOVA
	1804050	BKT SEAT, SPCR-05 W/THRS FRAME OMNOVA
	1804051	BKT SEAT, SPCR-05 W/THRS FRAME SKN OMNOVA
	1804052	BKT SEAT, SPCR-05 W/THRS BACK CUSH OMNOVA
	1804053	BKT SEAT, SPCR-05 BACK CUSH SKN W/THRS OMNOVA
	1804054	BKT SEAT, SPCR-05 W/THGHS BTM CUSH OMNOVA
	1804055	BKT SEAT, SPCR-05 W/THRS BTM CUSH SKN OMNOVA
	1804056	BKT SEAT, SPCR-05 W/THRS LEGROLL OMNOVA
	1804057	BKT SEAT, SPCR-05 W/THRS LEGROLL SKIN OMNOVA
6	1872178	260DA 07,BLSTR,AFT FCNG
	1872179	260DA 07,BLSTR SKN,AFT FCNG
	1775463	INSERT, 260DA-05 SCRPT AFT BLSTR SBRSEAWHT
7	1872180	260DA 07,CUSH,AFT FCNG
	1872181	260DA 07,CUSH SKN,AFT FCNG
8	1872182	260DA 07,CUSH,AFT FILR
	1872183	260DA 07,CUSH SKN,AFT FILR
9	1872184	260DA 07,CUSH,AFT SEAT
	1872185	260DA 07,CUSH SKN,AFT SEAT
10	1872186	260DA 07,BLSTR,AFT
	1872187	260DA 07,BLSTR SKN,AFT
11	1885024	260DA 07,CUSH,AFT SUNPAD (COCKPIT SUNPAD FILLER WITH TABLE)
	1885026	260DA 07,CUSH SKN,AFT SUNPAD (COCKPIT SUNPAD FILLER WITH TABLE)

BRACKETS

1617281	BRACKET, BLSTR CKPT ANGLED 1/4" STND-OFF SS
1756151	BRACKET, BLSTR CKPT 3/4"X2"X1/16" STND-OFF SS

COCKPIT STORAGE/NON-VISIBLE CARPET

795286	CARPET, EXT 12 OZ CHAR #0326 LT NEEDLE PUNCH
--------	--

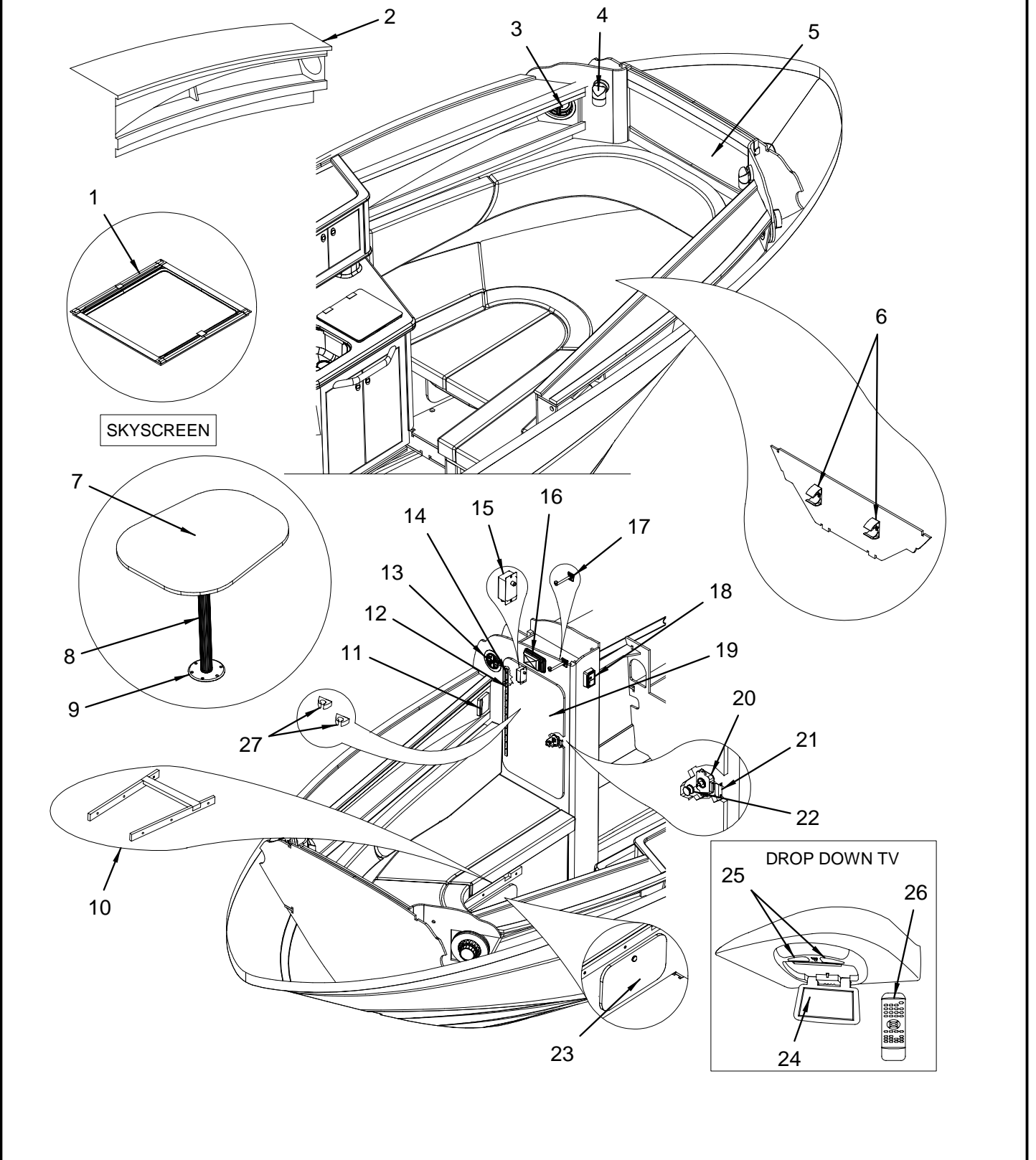
FOAM

1775422	FOAM, P/C 260DA-05 CKPT SEATS
1775436	FOAM, P/C 260DA-05 CKPT BOLSTERS

UPHOLSTERY

103309	MESH, WHITE 60"
157495	TAB, PULL TAB MATERIAL 6"
1788397	VINYL, SOFTDURA MYSTIC WHT 1/4" F/B OMNOVA
1778341	VINYL, NICKEL SR-4983A EXP 1/4" FB
828434	VELCRO, HOOK WHT 2" (SEW ON)
602169	TAB, PULL TAB MATERIAL 1.5"X 250YDS
476531	VELCRO, LOOP WHT 2" (SEW ON)
1801046	HIDEM, OMNOVA MYSTIC WHITE 5/8"
1212117	WELT, RVIEW LT CAMEO 8/32" GLUED
1619212	WELT, DADE PEWTER MIST 5/32"
1775462	INSERT, 260DA-05 SCRPT FWD BLSTR SBRSEAWHT
1775463	INSERT, 260DA-05 SCRPT AFT BLSTR SBRSEAWHT
283069	VINYL FILM, PLAS 1MM X 5'X 830YD

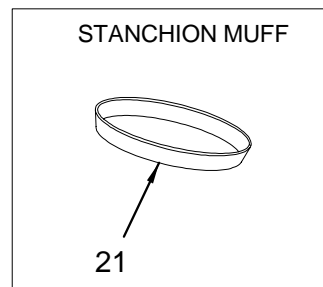
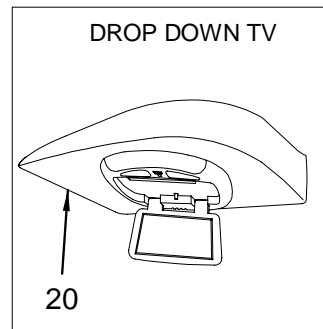
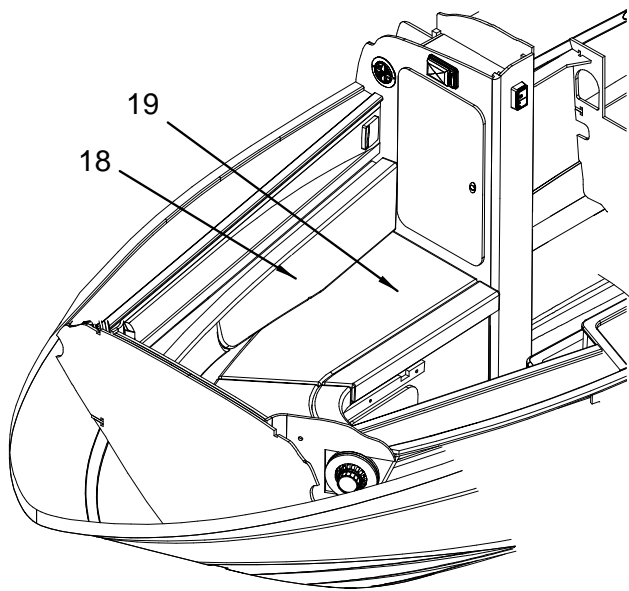
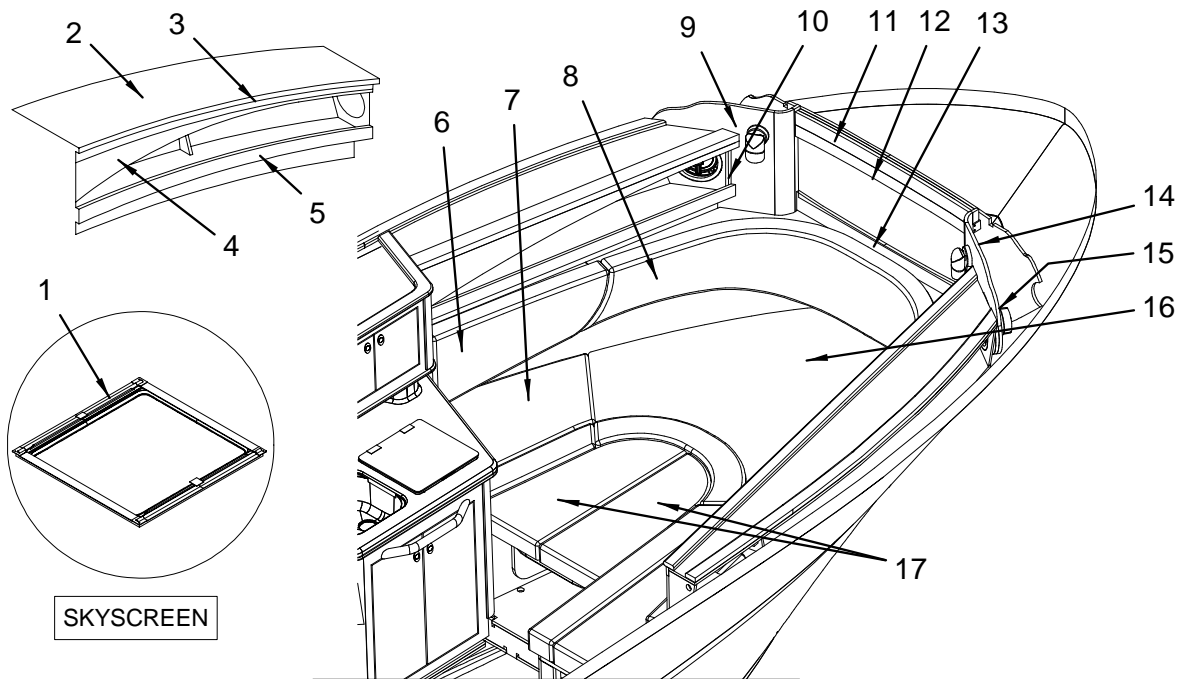
FORWARD STATEROOM



FORWARD STATEROOM

1	1689596	SCREEN, DECK TRAPEZOID SKYSCREEN MK4	25	1770168	BULB, REPL FOR KEC FLIP-DOWN TV 12V (PART OF 1755307)
	1798386	SCREEN, DECK TRAPEZOID SKYSCREEN SHADE ONLY (PART OF 1689596)	26	1789987	REMOTE, TELEVISION 10.4" KEC LCD (PART OF 1755307)
	1798387	SCREEN, DECK TRAPEZOID SKYSCREEN SCREEN ONLY (PART OF 1689596)	27	590646	CLIP, POLE STRG BLK - MAST LIGHT (USED TO STORE STERNLIGHT)
	1745363	GASKET, DECK HATCH TRAPEZOID	HARNESSES		
2	1872483	260DA 07,GNWL,STB CMLPT	1806300	1806301	HARNESSES, 260DA-06 CEILING 120V HARNESSES, 260DA-06 CEILING 220V (220 VOLT / 50 CYCLE ELECTRICAL SYSTEM)
	1872482	260DA 07,GNWL,PRT CMLPT	NOT SHOWN		
3	1690557	SPEAKER, COAXIAL 6.5" N/CVR	141747	198945	ANGLE, PVC 2"X 2"X 1/4"X 10" GREY VELCRO, DUAL LOCK CLR 2"X 50YD W/ADH BACK
4	1803184	SPOTLIGHT, SWVL TASK BRSHD SS W/SW W/CONN (HULL# 1002 -> 1046 & 1083 -> UP)			
	1831205	SPOTLIGHT, SWVL TASK BRSHD SS W/SW N/CONN (HULL# 1047 -> 1082)			
	1820310	BULB, REPL FOR #1803184/1831205 (REPLACEMENT BULB FOR 1831205/1803184)			
	830307	SPOTLIGHT, SWVL TASK BEIGE W/CHR ACCNT HLGN (HULL# 1001 ONLY)			
	858886	BULB, REPL FOR #0830307 (REPLACEMENT BULB FOR 830307)			
5	1769721	MIRROR, 1/8"X 12 7/16" X 35.5"			
6	1500552	CLIP, TABLE LEG 60MM TUBE BLK			
7	1839525	TABLE, WOOD 260DA/270AJ-07 BLSM CHERRY W/BASE			
	876979	BASE, LEG/POST SURF MT ALUM			
8	872515	POST, TABLE LEG 30.25" ANOD TAPERED RIBBED			
9	876961	BASE, LEG/POST FLUSH MT ALUM			
10	1806763	SUPPORT, HDPE TABLE FLR POS BLK 3PC			
11	1604271	A/C COMP, DISPLAY ECU BLK W/3/4" DOOR (AIR CONDITIONING / HEATING)			
	1055821	A/C COMP, FACE PLATE FOR CONTROL BLK (AIR CONDITIONING / HEATING)			
12	195032	HINGE, AL CONT 1.25" X 72" BRITE			
13	948281	A/C COMP, GRILL 4" RND N/DMPR CLW			
14	195032	HINGE, AL CONT 1.25" X 72" BRITE			
15	1180041	ANTENNA, TV AMP W/SHIP/SHORE A/B SW 12/24VDC (TV 10.4" FLIP DWN W/DVD-12V NTSC / ZF ONLY)			
16	1771063	LIGHT, SGL DOME FLUSH MT WHT W/SWITCH W/CONN			
	633719	LENS, SGL DOME REPL FOR #0596072 (PART OF 1771063)			
	604801	BULB, DOME LIGHT 12V (REPLACEMENT BULB FOR 1771063)			
17	148015	HOOK, CLOTHES HOOK SURFACE MT 5"			
18	1781228	MONITOR, CO DETECTOR WHT CMD-4 (GAS ENGINE WITHOUT GENERATOR)			
	1781352	PLATE, CO MONITOR BCKNG WHT CMD-4 W/PLUG (GAS ENGINE WITHOUT GENERATOR)			
	1816919	MONITOR, CO DETECTOR WHT CMD-4-RLY (GAS ENGINE WITH GENERATOR)			
	1816921	PLATE, CO MONITOR BCKNG CMD-4M-RLY-FCB W/CONN (GAS ENGINE WITH GENERATOR)			
19	1872200	260DA 07,DOOR,H/L STB FWDSTRM			
20	772418	CATCH, RIM-LOCK WHT			
	1132380	CATCH, RIM-LOCK WHT (SHIM ONLY)			
21	761445	CATCH, RIM-LOCK STRIKE PLATE			
22	1742136	PULL, PUSH-BUTTON KNOB SAT/NCKL			
	1742137	PULL, ROSETTE SAT/NCKL OVAL 19MM			
23	1872201	260DA 07,DOOR,STRG PRT FWDSTRM			
	1872445	260DA 07,DOOR,STRG STB FWDSTRM			
24	1755307	TELEVISION, 10.4" KEC LCD FLIP-DOWN (TV 10.4" FLIP DWN W/DVD-12V NTSC / ZF ONLY)			
	1774594	HARNESSES, 260DA-05 FLIP-DWN TV W/SEPARATE DVD (TV 10.4" FLIP DWN W/DVD-12V NTSC / ZF ONLY)			
	1756959	EXTENSION, CABLE A/V 25' RCA W/MALE CONN (TV 10.4" FLIP DWN W/DVD-12V NTSC / ZF ONLY)			
	1755311	SPEAKER, TELEVISION 5.25" (QUEST) (TV 10.4" FLIP DWN W/DVD-12V NTSC / ZF ONLY)			
1180041		ANTENNA, TV AMP W/SHIP/SHORE A/B SW 12/24VDC (TV 10.4" FLIP DWN W/DVD-12V NTSC / ZF ONLY)			
792325		ANTENNA, TV GLOMAX ASSY W/CONN (TV 10.4" FLIP DWN W/DVD-12V NTSC / ZF ONLY)			
1803748		MOUNT, ANTENNA TV GLOMAX ASSY W/CONN (PART OF 792325)			
133694		INLET, PHONE/TV CABLE COMBO WHT (TV 10.4" FLIP DWN W/DVD-12V NTSC / ZF ONLY)			
136085		CORD SET, TV CABLE 50FT (TV 10.4" FLIP DWN W/DVD-12V NTSC / ZF ONLY)			
145011		CONN, COAX TV CABLE MALE (TV 10.4" FLIP DWN W/DVD-12V NTSC / ZF ONLY)			
864306		CONN, COAX 'F' TWIST-ON (TV 10.4" FLIP DWN W/DVD-12V NTSC / ZF ONLY)			
1501824		HOSE, CONDUIT/SPLIT 3/4" FLAME RETARDANT (TV 10.4" FLIP DWN W/DVD-12V NTSC / ZF ONLY)			
25	1849232	TELEVISION, RIGHT LENS CVR 10.4" KEC LCD (PART OF 1755307)			
	1849233	TELEVISION, LEFT LENS CVR 10.4" KEC LCD (PART OF 1755307)			

FORWARD STATEROOM (UPHOLSTERY)



FORWARD STATEROOM (UPHOLSTERY)

1	1872470	260DA 07,PNL,SKY SCREEN HATCH MUFF
2	1872475	260DA 07,MUFF,STB GNWL TOP BLK
	1872474	260DA 07,MUFF,PRT GNWL TOP BLK
3	1872477	260DA 07,MUFF,STB GNWL TOP 2ND BLK
	1872476	260DA 07,MUFF,PRT GNWL TOP 2ND BLK
4	1872479	260DA 07,MUFF,STB GNWL MID
	1872478	260DA 07,MUFF,PRT GNWL MID
5	1872481	260DA 07,MUFF,STB GNWL BTM
	1872480	260DA 07,MUFF,PRT GNWL BTM
6	1872188	260DA 07,BLSTR,PRT FWDSTRM
	1872189	260DA 07,BLSTR SKN,PRT FWDSTRM
7	1872194	260DA 07,CUSH,PRT FWDSTRM
	1872195	260DA 07,CUSH SKN,PRT FWDSTRM
8	1872190	260DA 07,BLSTR,FWD FWDSTRM
	1872191	260DA 07,BLSTR SKN,FWD FWDSTRM
9	1872488	260DA 07,PNL,FWD VBRTH STB LIGHT
10	1872484	260DA 07,PNL,PRT VBRTH SPKR/INSERT
11	1872471	260DA 07,MUFF,TOP FWDSTRM MIR
12	1872472	260DA 07,MUFF,MID FWDSTRM MIR
13	1872473	260DA 07,MUFF,BTM FWDSTRM MIR
14	1872487	260DA 07,PNL,FWD VBRTH PRT LIGHT
15	1872485	260DA 07,PNL,STB VBRTH SPKR/INSERT
16	1872196	260DA 07,CUSH,CTR FWDSTRM
	1872197	260DA 07,CUSH SKN,CTR FWDSTRM
17	1872496	260DA 07,CUSH,FILR FWDSTRM
	1872497	260DA 07,CUSH SKN,FILR FWDSTRM
18	1872192	260DA 07,BLSTR,STB FWD FWDSTRM
	1872193	260DA 07,BLSTR SKN,STB FWD FWDSTRM
19	1872198	260DA 07,CUSH,STB FWDSTRM
	1872199	260DA 07,CUSH SKN,STB FWDSTRM
20	1872469	260DA 07,PNL,TV FLIPDOWN MNT (TV 10.4" FLIP DWN W/DVD-12V NTSC / ZF ONLY)
21	1891857	260DA 07,MUFF,STANCHION W/VINYL FWDSTRM
	1165273	COVER, PLAS STANCH BACK PLATE-RVIEW LT CAMEO

CURTAIN SET

1839623	CURTAIN, 260DA/270AJ-07 GLAMOUR OATML PRTLGH (HULL# 1011 -> UP) (INTERIOR PACKAGE - A, B, D)
1840036	CURTAIN, 260DA/270AJ-07 MOREHEAD/PRL PRTLGH (HULL# 1011 -> UP) (INTERIOR PACKAGE - C)
1798119	CURTAIN, 260DA-06 VERONA GLOW PRTLGH (3) (HULL# 1001 -> 1010)

CUSHIONS & BOLSTERS

1798080	FABRIC, GLAMOUR OATML-6"DIA QLT 100Z/AC/B (INTERIOR PACKAGE - A, B)
1835632	FABRIC, MOREHEAD/PEARL-6"DIA QLT 100Z/AC/B (INTERIOR PACKAGE - C)
1797639	FABRIC, SLEEK WHEAT-6"DIA QLT 100Z/AC/B (INTERIOR PACKAGE - D)

FOAM

1774600	FOAM, P/C 260DA-05 FWD STRM
---------	-----------------------------

HEADLINER/HULL LINER/WASHABLE SURFACE

1747515	VINYL, RVIEW LT CAMEO N/W 1/4"FB
1736787	VINYL, RVIEW LT CAMEO N/W 1/2"FB
1142199	WELT, RVIEW LT CAMEO 8/32"

INTERIOR CARPET

1467182	CARPET, INT 44 OZ WHEATON 6"W 100% BCF NYLON
1113968	CARPET MASK, 21"X 200'

INTERIOR CARPET RUNNER

1850265	CANVAS, 260DA-07 CARPET RUNNER TST RV1 (HULL# 1011 -> UP)
1774355	CANVAS, 260DA-05 CARPET RUNNER TST (HULL# 1001 -> 1010)

SNAP CAPS

1269430	SNAP CAP, PLAS ANTIQUE WHT
---------	----------------------------

SPEAKER FABRIC

1090430	FABRIC, SPKR CLOTH CREPE BUFF #18994 1/8"FB
---------	---

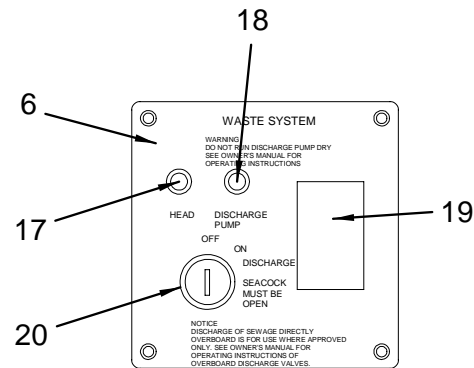
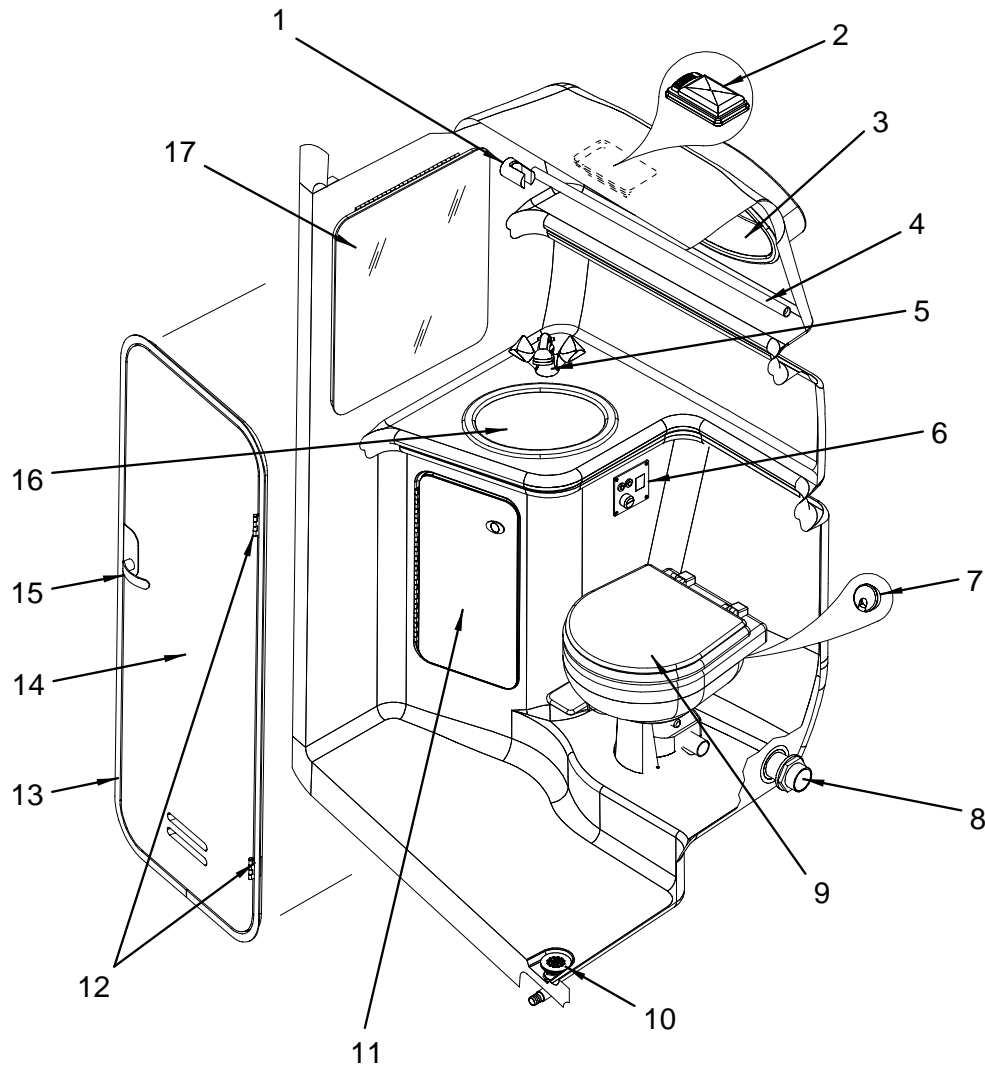
STORAGE & BUNK TOPS

1128487	FABRIC, GEOMETRIC STRAW (NDLPNCH) W/BACK
---------	--

UPHOLSTERY

157495	TAB, PULL TAB MATERIAL 6"
283069	VINYL FILM, PLAS 1MM X 5'X 830YD
476531	VELCRO, LOOP WHT 2" (SEW ON)
828434	VELCRO, HOOK WHT 2" (SEW ON)
989426	VINYL, ALLANTE II BLK EXP FLAT
180182	ZIPPER, #5 DELRIN CONTINUOUS WHT
1738279	MESH, BLK 54" POLY CTN SCRIM PVC COATED
180406	SLIDE, DELRIN #5 WHT 1-S LOCK

HEAD



HEAD

- 1 1853915 FAUCET/SHOWER, HANGER ONLY
- 2 1771063 LIGHT, SGL DOME FLUSH MT WHT W/SWITCH W/CONN
- 604801 BULB, DOME LIGHT 12V
(REPLACEMENT BULB FOR 1771063)
- 633719 LENS, SGL DOME REPL FOR #0596072
(PART OF 1771063)
- 3 1057991 TRIM RING, V/F PORTLIGHT INNER CUSTOM 98
- 4 1772688 RAIL, GRAB 260DA-05 HEAD SHELF
- 5 1772520 FAUCET/SHOWER, BRUSHED NCKL/CHR PULLOUT
- 1853913 FAUCET/SHOWER, SPRAYER ONLY BRSHD NCKL/CHR
(PART OF 1772520)
- 1853914 FAUCET/SHOWER, HOSE WASHER ONLY
(PART OF 1772520)
- 1853916 FAUCET/SHOWER, BRASS HOT/COLD VALVE ONLY
(PART OF 1772520)
- 1853917 FAUCET/SHOWER, HDWR KIT W/WTS
(PART OF 1772520)
- 6 1188945 PANEL, 260DA-99 WASTE SYS CNTRL
- 1335223 PANEL, 240DA-00 VACUFLUSH DIRECT OVRBD DIST
(VACUUM FLUSH HEAD W/ DIRECT OVER BOARD INTL)
- 7 811885 GROMMET, PLAS FLANGE/INSERT 2" ALMOND
- 8 326009 THRU-HULL, PLAS 2" WHT (FULL THREAD)
- 9 1745171 HEAD, VACU-FLUSH BONE 147 (ECOVAC) LO-PRO SID
- 1784547 SEAT ASSY, CVR/SEAT/HNG PIN BONE
(PART OF 1745171)
- 10 196782 DRAIN ASSY, SHOWER 1.5"
- 344762 DRAIN ASSY, SHOWER SLIP NUT 1.5"
(PART OF 196782)
- 11 1772539 DOOR, HDPE 260DA-05 HEAD VAN STRG W/HDWR ANW
- 1155241 HOLDER, TOILET PAPER WALL MNT WHT ROLLER
- 1742136 PULL, PUSH-BUTTON KNOB SAT/NCKL
- 1742137 PULL, ROSETTE SAT/NCKL OVAL 19MM
- 772418 CATCH, RIM-LOCK WHT
- 195032 HINGE, AL CONT 1.25" X 72" BRITE
- 776567 CATCH, ROUND PLAS 13/16" "DUAL LOCK" (3M)
- 12 132324 HINGE, BUTT CHROME/ZINC 2"
- 13 908624 FRAME, ALUM 20 7/16" X 53.25" ANW 250DA HEAD
- 14 1872446 260DA 07, DOOR, HEAD ENTRY
- 15 1776179 LATCH, OFFSHR FLSH RH-OUT PRVKNB SAT/NCK 5/8"
- 16 850784 SINK, V/F OVAL ANW
- 17 1872486 260DA 07, MIR, HEAD CMPLT
- 1795090 MIRROR, PLEX 20.5" X 18" HEAD CLR W/PVC
- 195032 HINGE, AL CONT 1.25" X 72" BRITE
- 18 533109 BRKR, P/BTN-MANUAL RESET 10A
- 19 893800 PANEL, WASTE LEVEL INDICATOR 12V
- 20 557785 SWITCH, IGN STARTER
- 1729450 KEY, SIERRA PK501A
- 1778652 KEY, SIERRA PK521J
- 1778656 KEY, SIERRA PK576K
- 1778657 KEY, SIERRA PK611M
- 1778658 KEY, SIERRA PK628H
- 1778659 KEY, SIERRA PK631N
- 1778660 KEY, SIERRA PK665P
- 1778661 KEY, SIERRA PK673F

CURTAINS

- 1788443 CURTAIN, SHOWER ECRU 56" X 24" W/4 SNAPS

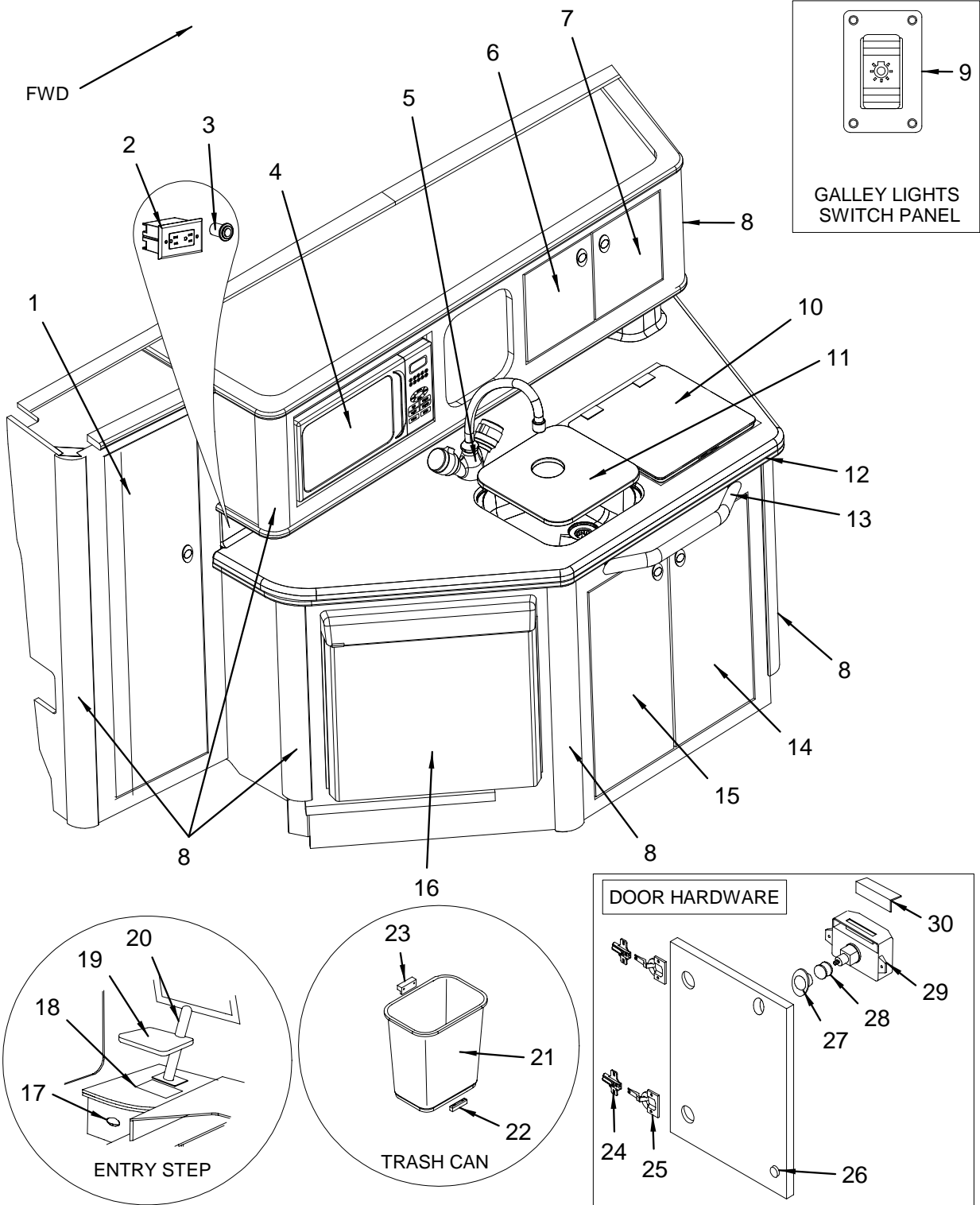
LABELS

- 1747493 LABEL, LEAVING WINDOW OPEN EXHAUST FUMES

NOT SHOWN

- 132183 TRACK, ALUM CURT TRK 0.275" X 0.688" TAB TYPE
- 1747819 RAIL, GRAB 18" OVAL W/STUD 316L
(OUTSIDE OF HEAD IN ENTRYWAY)

GALLEY



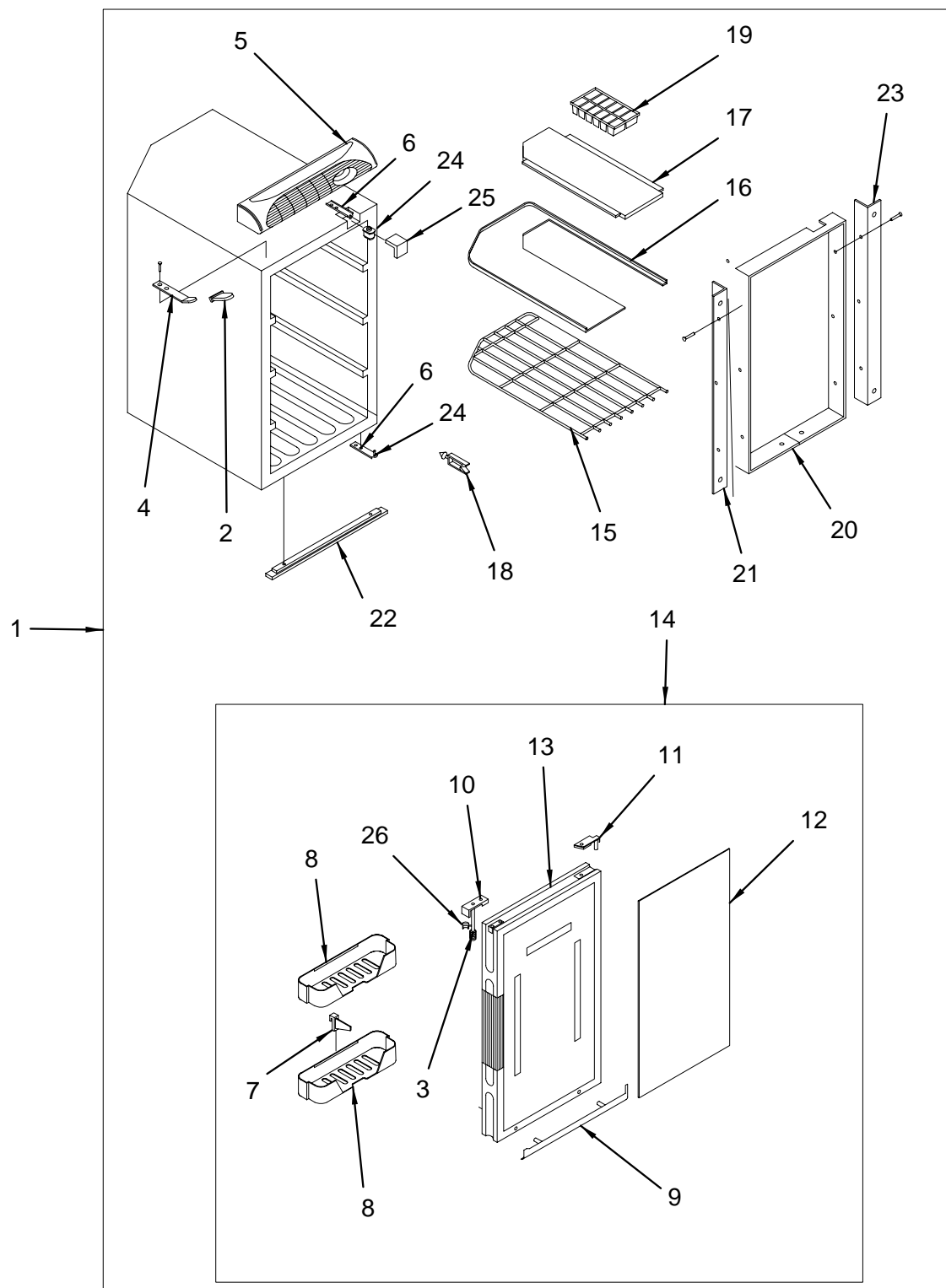
GALLEY

1	1872447	260DA 07,DOOR,MDP CAB	11	175687	DRAIN, SINK STRAINER 2.5" SS W/5/8" BARB (STRAINER W/ PLUG)
	1683713	CARD, QUICK REFERENCE SHRPWR SPCRUIS/02		1839033	DRAIN, SINK STRAINER BASKET ONLY (PART OF 175687)
2	1881817	RECEPTACLE, GFCI DPLX BLK W/IND/SMRTLCK 15A (HULL# 1219 -> UP)	12	972307	NOSING, ALUM 5/8"X 8' T-1 ROUNDED BRITE BUFF
	1787503	RECEPTACLE, GFCI DPLX BLK W/IND LIGHT 15A LVT (HULL# 1001 -> 1218)	13	1747819	RAIL, GRAB 18" OVAL W/STUD 316L
	1787507	RECEPTACLE, DUPLEX BRN 15A LVT	14	1872450	260DA 07,DOOR,FWD LWR STRG GLY
	1787508	COVER PLATE, SGL DUPLEX RECEPT BRN LVT	15	1872451	260DA 07,DOOR,AFT LWR STRG GLY
	627737	BOX, RECEPTACLE/SWITCH PVC 1-GANG DEEP	16	1658368	REFRIGERATOR, 2.7 CF
	1787551	RECEPTACLE, GERMAN STD MOS WHT(SNAP CVR) LVT (220 VOLT / 50 CYCLE ELECTRICAL SYSTEM)		1671064	(SEE GALLEY REFRIGERATOR SECTION FOR DETAILS) REFRIGERATOR, 2.7 CF AC/DC 220/50 (220 VOLT / 50 CYCLE ELECTRICAL SYSTEM)
	1145069	RECEPTACLE, SGL GERMAN STD WHT (220 VOLT / 50 CYCLE ELECTRICAL SYSTEM)	17	1771066	LIGHT, COURTESY OVAL STEP ANT WHT (INT)/W/CONN
	975029	COVER PLATE, IDEA-SERIES 3-GANG WHT (220 VOLT / 50 CYCLE ELECTRICAL SYSTEM)		1184639	BULB, REPL FOR MRP #0840850 (STEP LT)
3	1287283	RECEPTACLE, FEMALE 12V LONG THRD BLK	18	1872452	260DA 07,DOOR,ENTRY STEP GLY
	1744738	LABEL, RECEPTACLE 12V-15A MAX (LEXAN)		681247	HINGE, AL CONT FORM/SGL 3/4"X 1.5"X 72"
4	1687637	MICROWAVE, SYLVANIA 0.5CF BLK 110V	19	1854358	260DA 07,STEP,ENTRYWAY
	1793050	MICROWAVE, SYLVANIA 0.5CF BLK 220V (220 VOLT / 50 CYCLE ELECTRICAL SYSTEM)		1316983	FLOORING, VINYL LONCOIN II FLECKS SANDSTONE
	1872495	260DA 07,MICA,MCRWV BOARD		1278365	MOLDING, T-MOLD/PVC 1 5/8"X 25' MUSHROOM
5	1772522	FAUCET, GLY 7"RISE BRUSHED NCKL/CHR	20	1848898	STEP, 260DA-07 ENTRYWAY ALUM PWDRCT
	1807537	FAUCET, GLY 7"RISE HANDLE CAP BRSHD NCKL/CHR (PART OF 1772522)	21	983718	BASKET, TRASH WHT 6QT
	1807538	FAUCET, GLY 7"RISE HNDL SCREW BRSHD NCKL/CHR (PART OF 1772522)	22	609883	CLEAT, PLAS 3/4"X 1"X 4" GREY
	1807539	FAUCET, GLY 7"RISE HNDL WASHER BRSHD NCKL/CHR (PART OF 1772522)	23	1083419	BLOCK, HDPE 185/190SDOB/210-98 XL HOOK (HULL# 1196 -> UP)
	1807540	FAUCET, GLY 7"RISE HNDL RING BRSHD NCKL/CHR (PART OF 1772522)	24	525667	HINGE, CONCEALED FULL OVERLAY MT PLATE ONLY
	1807541	FAUCET, GLY 7"RISE HANDLE BRSHD NCKL/CHR (PART OF 1772522)	25	839399	HINGE, SELF CLOSING BLUM SCREW-ON
	1807542	FAUCET, GLY 7"RISE VALVE BRSHD NCKL/CHR (PART OF 1772522)	26	663708	BUMPER, CLEAR .020" THICK
	1807543	FAUCET, GLY 7"RISE SPOUT BRSHD NCKL/CHR (PART OF 1772522)	27	1742137	PULL, ROSETTE SAT/NCKL OVAL 19MM
	1807544	FAUCET, GLY 7"RISE AERATOR BRSHD NCKL/CHR (PART OF 1772522)	28	1742136	PULL, PUSH-BUTTON KNOB SAT/NCKL
	1807545	FAUCET, GLY 7"RISE MOUNTING BRSHD NCKL/CHR (PART OF 1772522)	29	772418	CATCH, RIM-LOCK WHT
6	1872448	260DA 07,DOOR,AFT UPR STRG GLY		1132380	CATCH, RIM-LOCK WHT (SHIM ONLY)
7	1872449	260DA 07,DOOR,FWD UPR STRG GLY	30	761445	CATCH, RIM-LOCK STRIKE PLATE
8	1818817	POPLAR, TRIM VERT CRUSR BLSM CHERRY MATTE 8' (CABINET TRIM - ORDER TO LENGTH)	BRACKETS		
9	1688434	PANEL, 340DA-03 SLN/FWD STRM LIGHT SW BLK		835819	BRACKET, ALUM 1"X 1"X 6' 3/16"HOLES
	797761	BODY, ROCK SW SPST BLK 12V INCAND NON-LIT (PART OF 1688434)		878462	BRACKET, ALUM 1.5"X 11/16"X 3" 1/4"HOLES
	1541655	ACTUATOR, ROCK SWITCH-LIGHTS BLK (PART OF 1688434)	ELECTRICAL		
10	1060060	STOVE, BUTANE SGL BURNER W/GLASS LID/POT HOLD		1805075	LIGHT, RIGG 6.25"RECESSED 12V/20W SAT NCKL
	1797613	STOVE, BUTANE SGL BURNER GRATE ONLY (PART OF 1060060)		1425024	BULB, REPL FOR #1197466 12V/20W HALOGEN (REPLACEMENT BULB FOR 1805075)
	1797614	STOVE, BUTANE SGL BURNER POT HLDR ONLY (PART OF 1060060)		947796	BULB, REPL FOR TEBE/CHARLY BOY/SAMPEI/DAVID
	1797616	STOVE, BUTANE SGL BURNER LID STAY ONLY (PART OF 1060060)		981357	BULB, REPL FOR CHARLY BOY
	1797617	STOVE, BUTANE SGL BURNER TEMP GLASS LID ONLY (PART OF 1060060)		1749388	GALVANIC ISOLATOR, PROSAFE 30AMP (ISOL ONLY)
	1797618	STOVE, BUTANE SGL BURNER DOOR GAS COMPARTMENT (PART OF 1060060)	HARNESSES		
	1797619	STOVE, BUTANE SGL BURNER END CAP ONLY (PART OF 1060060)		1840215	HARNESS, 260DA-07 CABIN 120V (HULL# 1124 -> UP)
	729954	STOVE, ALC/ELEC 1-BURNER W/BLK GLASS LID 110V (ALCOHOL / ELEC.STOVE- 120V/60 - 1 BURNER)		1803070	HARNESS, 260DA-06 CABIN 120V W/CONN (HULL# 1001 -> 1123)
	729962	STOVE, ALC/ELEC 1-BURNER W/BLK GLASS LID 220V (ALCOHOL / ELEC.STOVE- 220V/50 - 1 BURNER)		1840216	HARNESS, 260DA-07 CABIN 220V (HULL# 1124 -> UP)
	1763796	RAIL, STOVE 1-BURNER ALCOHOL (ALCOHOL / ELEC.STOVE- 120V/60 - 1 BURNER) (ALCOHOL / ELEC.STOVE- 220V/50 - 1 BURNER)		1803071	HARNESS, 260DA-06 CABIN 220V W/CONN (HULL# 1001 -> 1123) (220 VOLT / 50 CYCLE ELECTRICAL SYSTEM)
	144899	BOX, PVC SWITCH BOX (ALCOHOL / ELEC.STOVE- 120V/60 - 1 BURNER) (ALCOHOL / ELEC.STOVE- 220V/50 - 1 BURNER)	LABELS		
	144907	COVER PLATE, SWITCH BOX BLUE PVC (ALCOHOL / ELEC.STOVE- 120V/60 - 1 BURNER) (ALCOHOL / ELEC.STOVE- 220V/50 - 1 BURNER)		1744745	LABEL, DISPOSAL OF GARBAGE
	156885	CONN, NON-MET BOAT CABLE 0.30 TO 0.60 DIA (ALCOHOL / ELEC.STOVE- 120V/60 - 1 BURNER) (ALCOHOL / ELEC.STOVE- 220V/50 - 1 BURNER)		1747505	LABEL, INFO REPL PROD/BROCH/DLRLOC/ETC
	353326	BRKR/ROCK, SGL-POLE AC/DC HORZ 5A WHT (ALCOHOL / ELEC. STOVE - SINGLE BURNER 120V) (ALCOHOL / ELEC. STOVE - SINGLE BURNER 220V)		1743616	LABEL, UNPLUG SHORE POWER WARNING
	1389402	STOVE, BUTANE SGL BURNER W/GLS LID/POT HLD CE (C E OPTION GROUP)		1745158	LABEL, FUEL RECOMMENDATION/LP GAS WARNING
11	1799725	COVER, CORIAN 260DA/270AJ-06 GLY SNK BRNTAMBR		1745157	LABEL, FUEL RECOMMENDATION (ALCOHOL / ELEC.STOVE- 120V/60 - 1 BURNER) (ALCOHOL / ELEC.STOVE- 220V/50 - 1 BURNER)
	1772556	COVER, CORIAN 260DA/270AJ-05 GLY SINK SNDSTN	MICA		
				1684424	MICA, PVC EDGE BAND 7/8"X .017 VIOLIN ANNIGRE
				1733074	MICA, 4'X 8'X.030" BLOSSOM CHERRY GLOSS GR20
				224204	MICA, 4'X 8'X.042" SAIL WHT MATTE GR12
				586230	MICA, 4'X 8'X.042" BLK MATTE GR12
				595827	MICA, PVC EDGE BAND 7/8"X .017 SAIL WHT
				898882	MICA, PVC EDGE BAND 7/8"X .017 BLK MATTE
				226746	PANEL, LAM 1/2" 4X8 BLK MATTE G1S
				1529387	PANEL, LAM 1/2" 4X8 BLK MATTE G2S
				1449503	PANEL, LAM 3/4" 4X8 BLK MATTE/RAW BACK G1S
				223313	PANEL, LAM 1/2" 4X8 SAIL WHT MATTE G1S
				363382	PANEL, LAM 1/2" 4X8 WHT CAB LINER MATTE G2S
			NOT SHOWN		
				1501840	HOSE, CONDUIT/SPLIT 1" FLAME RETARDANT
				124412	HOSE, PVC CLEAR/WHT W/RED TRACER 5/8"

NOT SHOWN (continued)

622050 BUMPER, CLEAR THIN 3/8"

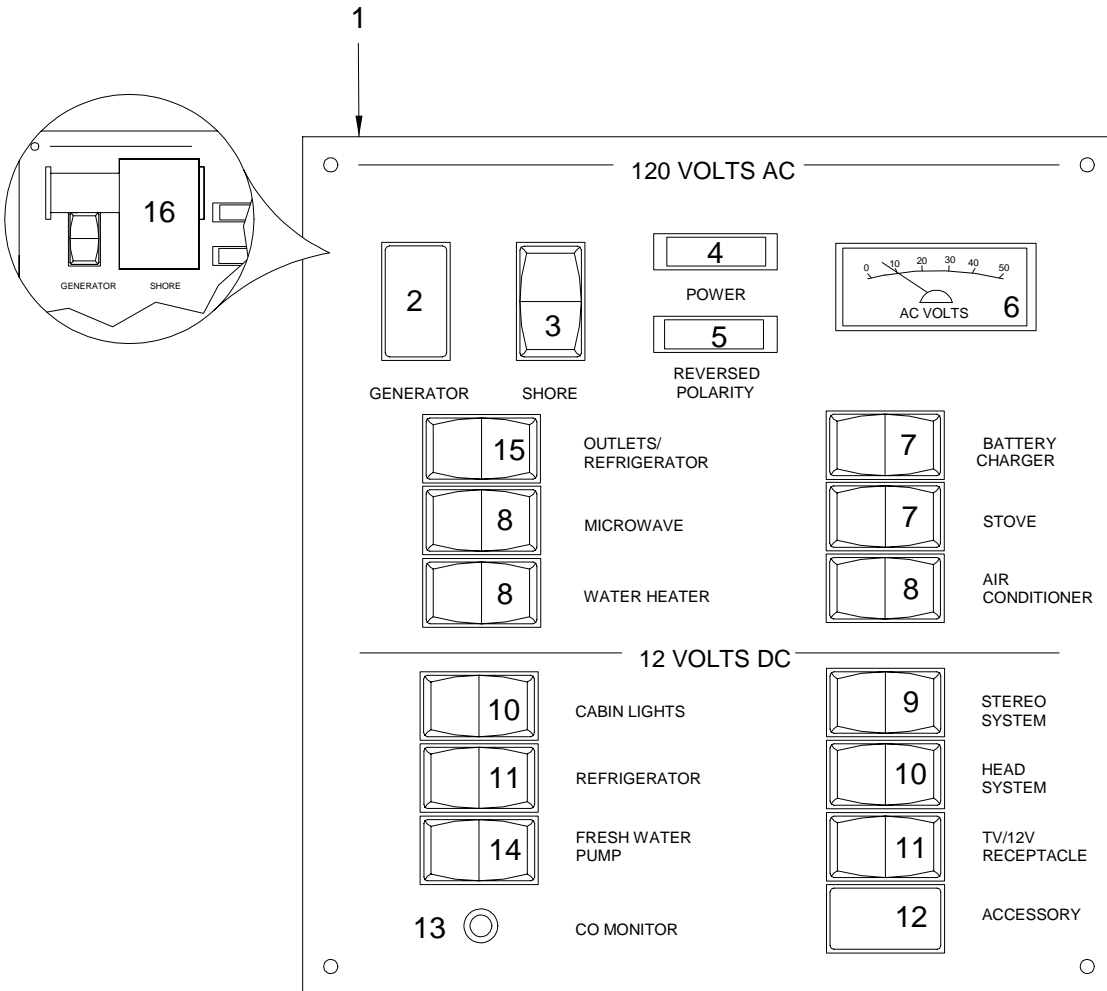
GALLEY (REFRIGERATOR)



GALLEY (REFRIGERATOR)

1	1658368	REFRIGERATOR, 2.7 CF
2	1738813	LATCH, COVER PLATE FOR TRAVEL LATCH
3	1738814	LATCH, TRAVEL LATCH SPRING
4	1738816	LATCH, TRAVEL PLATE
5	1804906	REFRIGERATOR, 2.7 CF CVR-CNTRL
6	1804907	REFRIGERATOR, 2.7 CF HINGE ASSY
7	1804908	REFRIGERATOR, 2.7 CF PARTITION DOOR POCKET
8	1804994	REFRIGERATOR, 2.7 CF DOOR SHELF BIN
9	1804995	REFRIGERATOR, 2.7 CF DOOR FRAME BTM
10	1805268	REFRIGERATOR, 2.7 CF CVR HINGE LH
11	1805269	REFRIGERATOR, 2.7 CF CVR HINGE RH
12	1805270	REFRIGERATOR, 2.7 CF DOOR PNL BLK
13	1805271	REFRIGERATOR, 2.7 CF DOOR FRAME ASSY
14	1805284	REFRIGERATOR, 2.7 CF DOOR ASSY
15	1805285	REFRIGERATOR, 2.7 CF SHELF LWR
16	1805286	REFRIGERATOR, 2.7 CF SHELF UPR
17	1805287	REFRIGERATOR, 2.7 CF DRAINAGE PAN
18	1805288	REFRIGERATOR, 2.7 CF HOLDER SHELF REAR
19	1805289	REFRIGERATOR, 2.7 CF ICE CUBE TRAY
20	1805290	REFRIGERATOR, 2.7 CF FRAME CVR/4 SIDES BLK
21	1805291	REFRIGERATOR, 2.7 CF FRAME CAB LH
22	1805292	REFRIGERATOR, 2.7 CF FRAME CAB BTM
23	1805293	REFRIGERATOR, 2.7 CF FRAME CAB RH
24	1805294	REFRIGERATOR, 2.7 CF BUSHING
25	1805295	REFRIGERATOR, 2.7 CF BUSHNG "I"
26	1805570	REFRIGERATOR, 2.7 CF DOOR HANDLE ASSY

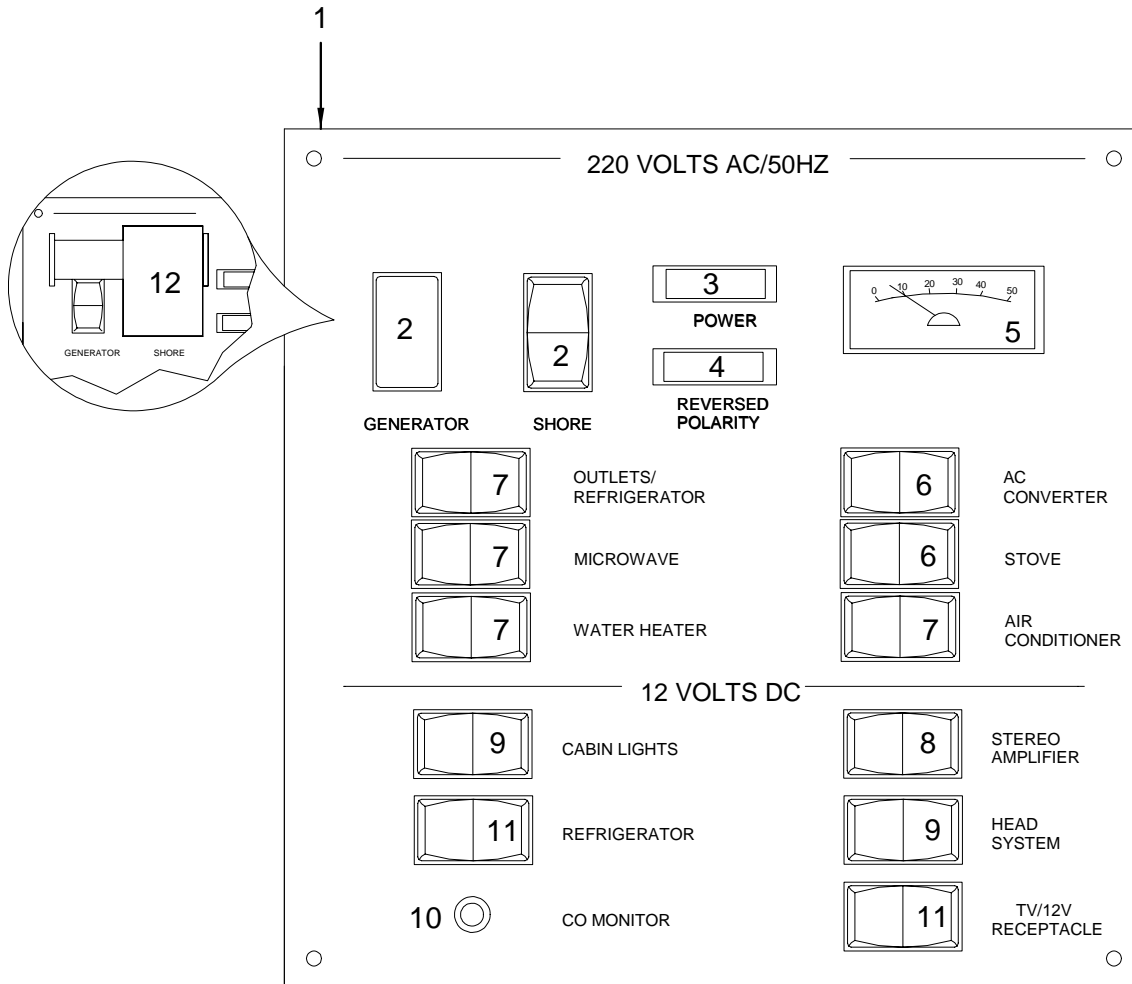
AC MAIN DISTRIBUTION PANEL 60HZ CYCLE



AC MAIN DISTRIBUTION PANEL 60HZ CYCLE

- 1 1759671 PANEL, 260DA-05 AC MDP 120/60
(120V WITHOUT GENERATOR)
- 1759672 PANEL, 260DA-05 AC MDP 120/60 W/GEN
(120V WITH 120V GENERATOR)
- 1759673 PANEL, BLANK:260DA-05 AC MDP 120/60 W/GEN
- 2 629337 BRKR/ROCK, 2-POLE AC/DC VERT 35A WHT
- 3 648873 BRKR/ROCK, 2-POLE AC/DC VERT 30A WHT
- 4 572529 LIGHT, POLARITY GRN 125V
- 5 557611 LIGHT, POLARITY RED 125V
- 6 767608 GAUGE, VOLTMETER AC 0-150 ANALOG WINDOW MT SM
- 7 1776973 BRKR/ROCK, SGL-POLE AC/DC HORZ UP LUG 10A WHT
- 8 1776975 BRKR/ROCK, SGL-POLE AC/DC HORZ UP LUG 15A WHT
(AIR CONDITIONING / HEATING-1/2 TON-120V/60)
- 9 1799306 BRKR/ROCK, SGL-POLE AC/DC HORZ UP LUG 25A RED
- 10 1799305 BRKR/ROCK, SGL-POLE AC/DC HORZ UP LUG 20A RED
- 11 1799304 BRKR/ROCK, SGL-POLE AC/DC HORZ UP LUG 15A RED
- 12 432872 PLUG, BRKR/ROCK
- 13 1181700 BRKR, P/BTN-MANUAL RESET M-SERIES 1A W/SCREW
- 14 1799341 BRKR/ROCK, SGL-POLE AC/DC HORZ UP LUG 10A RED
- 15 1795343 BRKR/ROCK, SGL-POLE AC/DC HORZ UP LUG 20A WHT
- 16 340679 SLIDE ASSY, SLIDE BAR MDP PANEL

AC MAIN DISTRIBUTION PANEL 50HZ CYCLE



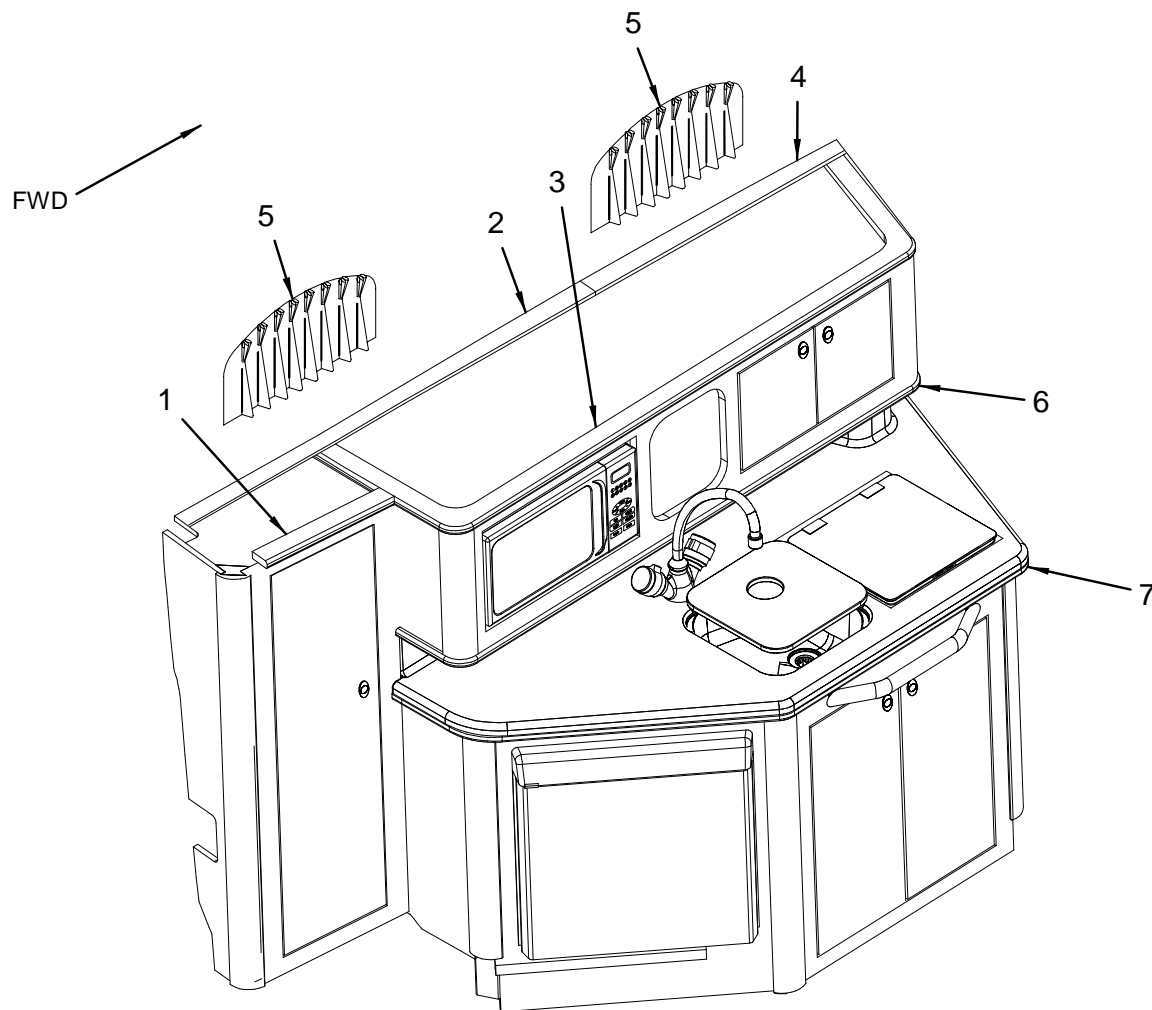
AC MAIN DISTRIBUTION PANEL 50HZ CYCLE

- 1 1759674 PANEL, 260DA-05 AC MDP 220/50
- 1759675 PANEL, 260DA-05 AC MDP 220/50 W/GEN
- 1759676 PANEL, BLANK:260DA-05 AC MDP 220/50 W/GEN
- 2 440354 BRKR/ROCK, 2-POLE AC/DC VERT 20A WHT
- 3 557603 LIGHT, POLARITY GRN 220V
- 4 557629 LIGHT, POLARITY RED 220V
- 5 796334 GAUGE, VOLTMETER AC 0-300 ANALOG WINDOW MOUNT
- 6 1776961 BRKR/ROCK, SGL-POLE AC/DC HORZ UPT LUG 5A WHT
- 7 1776973 BRKR/ROCK, SGL-POLE AC/DC HORZ UP LUG 10A WHT
- 8 1799306 BRKR/ROCK, SGL-POLE AC/DC HORZ UP LUG 25A RED
- 9 1799305 BRKR/ROCK, SGL-POLE AC/DC HORZ UP LUG 20A RED
- 10 1181700 BRKR, P/BTN-MANUAL RESET M-SERIES 1A W/SCREW
- 11 1799304 BRKR/ROCK, SGL-POLE AC/DC HORZ UP LUG 15A RED
- 12 340679 SLIDE ASSY, SLIDE BAR MDP PANEL

NOT SHOWN

- 1626803 CABLE, MARINE UL BOAT 10/3 EURO
- 826867 BRKR/TOGGLE, 2-POLE AC MED DELAY 25A
- 893289 FRAME, IDEA-SERIES 3-GANG SUPPORT FRAME GREY
- 975011 SWITCH, BLANK IDEA-SERIES WHT
- 975037 BRKR, IDEA 230V 2P EURO GFCI 16A 10MA WHT

GALLEY (UPHOLSTERY)



GALLEY (UPHOLSTERY)

- 1 1872492 260DA 07,MUFF,UPR FRNT MDP CAB
- 2 1872490 260DA 07,MUFF,GLY UPR BACK 80.5"BLK
- 3 1872491 260DA 07,MUFF,GLY UPR FWD U-SHAPE BLK
- 4 1872489 260DA 07,MUFF,GLY UPR BACK 39.5"BLK
- 5 1839623 CURTAIN, 260DA/270AJ-07 GLAMOUR OATML PRTLGH
(HULL# 1011 -> UP)
(INTERIOR PACKAGE - A, B, D)
- 1840036 CURTAIN, 260DA/270AJ-07 MOREHEAD/PRL PRTLGH
(HULL# 1011 -> UP)
(INTERIOR PACKAGE - C)
- 1798119 CURTAIN, 260DA-06 VERONA GLOW PRTLGH (3)
(HULL# 1001 -> 1010)
- 6 1891833 260DA 07,MUFF,GLY LWR MID U-SHAPE BLK
- 7 1891834 260DA 07,MUFF,GLY TOP LWR BLK

HEADLINER/HULL LINER/WASHABLE SURFACE

- 1747515 VINYL, RVIEW LT CAMEO N/W 1/4"FB
- 1736787 VINYL, RVIEW LT CAMEO N/W 1/2"FB
- 1142199 WELT, RVIEW LT CAMEO 8/32"

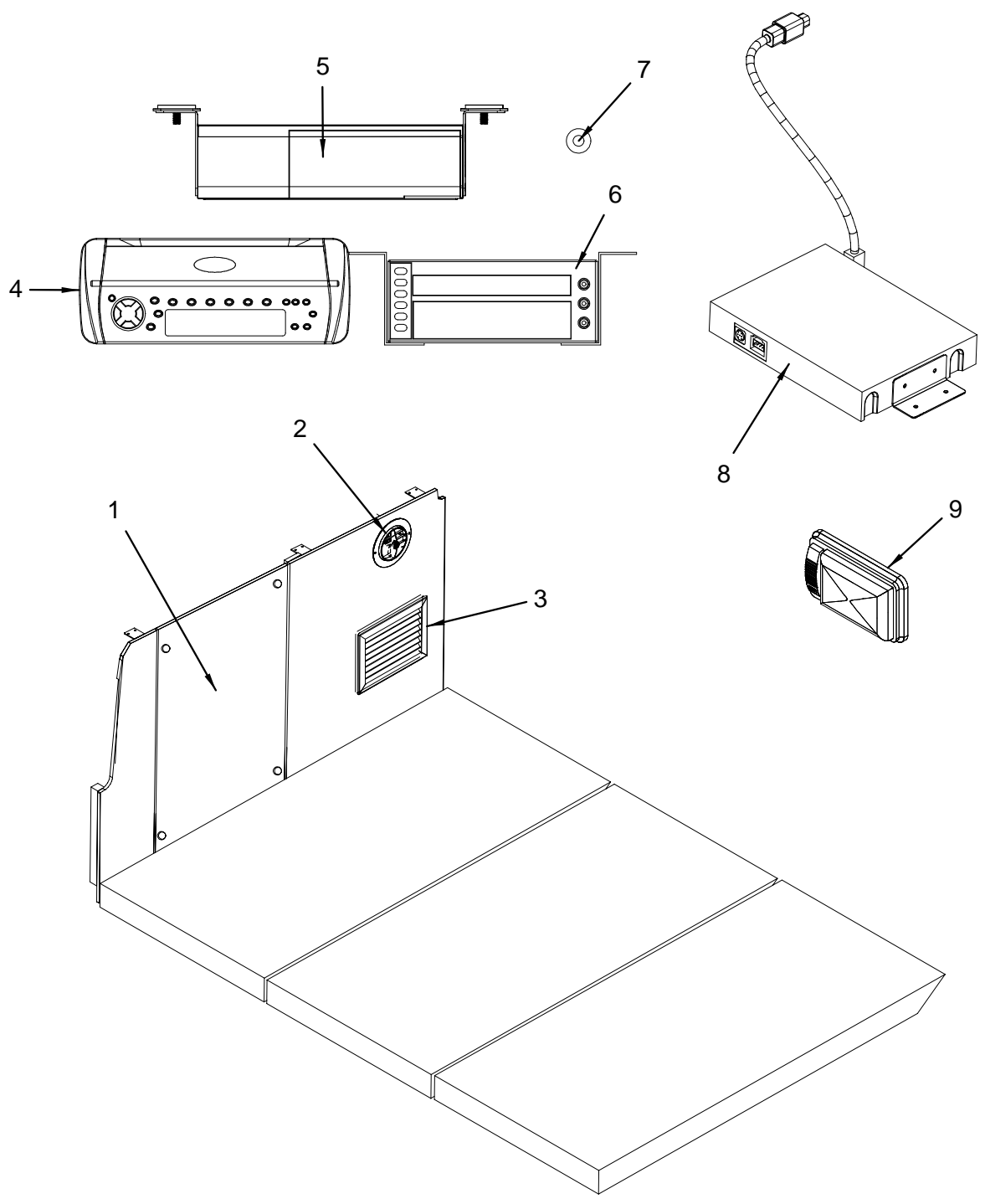
INTERIOR CARPET

- 1467182 CARPET, INT 44 OZ WHEATON 6'W 100% BCF NYLON
- 1113968 CARPET MASK, 21"X 200'

MUFF COVER MATERIAL

- 989426 VINYL, ALLANTE II BLK EXP FLAT

MID STATEROOM



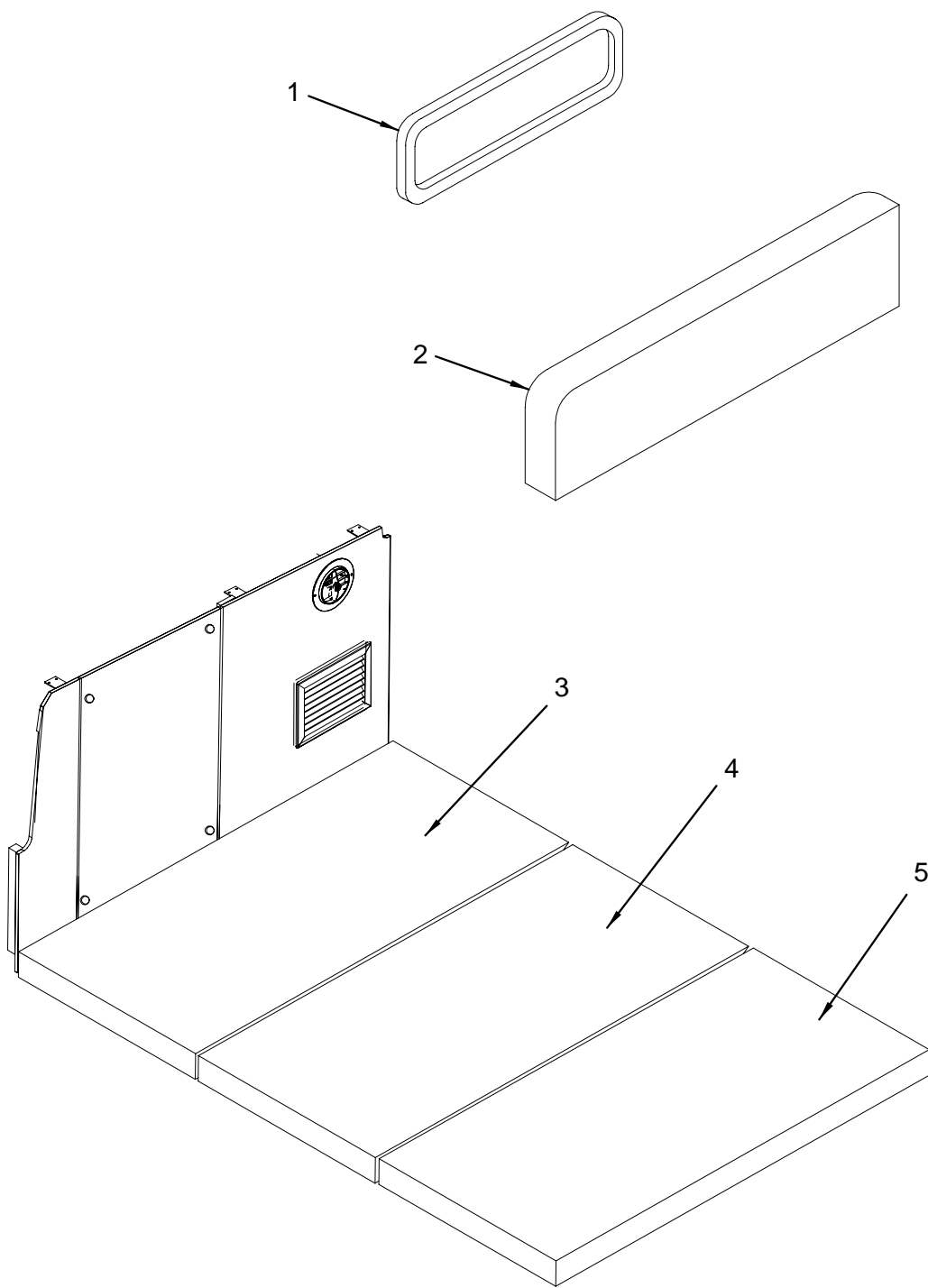
MID STATEROOM

- 1 1872453 260DA 07, DOOR, H/L AFT STRM
(A/C UNIT ACCESS PANEL)
- 2 948281 A/C COMP, GRILL 4" RND N/DMPR CLW
(AIR CONDITIONING / HEATING-1/2 TON-120V/60)
(AIR CONDITIONING / HEATING-1/2 TON-220V/50)
- 1688368 HOSE, AC/DUCT INSULATED 4"X12'
(AIR CONDITIONING / HEATING-1/2 TON-120V/60)
(AIR CONDITIONING / HEATING-1/2 TON-220V/50)
- 3 1206051 A/C COMP, DEFUSER 10X8 CLW W/FILTER
(AIR CONDITIONING / HEATING-1/2 TON-120V/60)
(AIR CONDITIONING / HEATING-1/2 TON-220V/50)
- 4 1854318 STEREO, AM/FM CD/CHNGR/SIR/XM SAT CMD4A
(HULL# 1223 -> UP)
- 1803464 STEREO, AM/FM CD W/CHNGR/SIR SAT PLAYER CMD4
(HULL# 1001 -> 1222)
- 1581560 ANTENNA, AMPLIFIED 13398
- 1803706 HARNESS, STEREO ADAPTOR CMD4 W/PACKARD CONN
- 1803072 HARNESS, 260DA-06 PREM CKPT STEREO W/CONN
(PREMIER STEREO UPGRADE - POLK MOMO SYSTEM)
- 1750879 CABLE, RCA AUDIO "Y" (1-FM/ 2-M) W/NOISE SUPP
(PREMIER STEREO UPGRADE - POLK MOMO SYSTEM)
- 1751853 CABLE, RCA AUDIO 9M W/EFX-2 CONN N/SUP
(PREMIER STEREO UPGRADE - POLK MOMO SYSTEM)
- 1767803 LABEL, STEREO 1.5"X 1/4"
(PREMIER STEREO UPGRADE - POLK MOMO SYSTEM)
- 1872493 260DA 07, PNL, STEREO W/CUTOUTS BLK
- 1872494 260DA 07, PNL, STEREO N/CUTOUTS BLK
- 836007 BRACKET, ALUM 1.5"X 1.5"X 3" 3/16"HOLES
- 836023 BRACKET, ALUM 1.5"X 1.5"X 1.5" 3/16"HOLES
- 5 1733835 STEREO, CD CHANGER 6-DISC DCZ625 C-NET
(CD CHANGER, 6 DISC)
- 1122357 STEREO, CD (6 DISC) MAGAZINE CLARION
(PART OF 1733835)
- 6 1817493 DVD, KEC 12V DVD3 DIN
(TV 10.4" FLIP DWN W/DVD-12V NTSC / ZF ONLY)
- 1848849 REMOTE, DVD KEC 12V DVD2M/3M ZONEFREE
(REMOTE FOR 1817493)
- 1813842 MOUNTING KIT, SLEEVE FOR DVD2
(TV 10.4" FLIP DWN W/DVD-12V NTSC / ZF ONLY)
- 1784874 DVD, KEC 12V DVD2M ZONEFREE
(DVD 12V W/ ZONE FREE DVD)
- 1807566 REMOTE, DVD KEC 12V DVD2M ZONEFREE
(REMOTE FOR 1784874)
- 7 1850253 VIDEO EQUIPMENT, AUXILIARY INPUT MP3 MA-AUX2
(HULL# 1043 -> UP)
- 1803674 VIDEO EQUIPMENT, AUXILIARY INPUT MP3
(HULL# 1001 -> 1042)
- 8 1847461 STEREO, SIRIUS SATELLITE RCVR SIRCL3M-6MO
- 1887355 CABLE, SIRIUS SATELLITE RCVR CENET SIRCLM3
(PART OF 1847461)
- 9 1771063 LIGHT, SGL DOME FLUSH MT WHT W/SWITCH W/CONN
- 633719 LENS, SGL DOME REPL FOR #0596072
(PART OF 1771063)
- 604801 BULB, DOME LIGHT 12V
(REPLACEMENT BULB FOR 1771063)

NOT SHOWN

- 1807866 STEREO, AMP PANASONIC 400W 4CHNL
(PREMIER STEREO UPGRADE - POLK MOMO SYSTEM)
(LOCATED BEHIND PANEL #1)
- 1758957 PVC BOARD, 1/2"X 4'X 8' WHT INTEFOAM
(PREMIER STEREO UPGRADE - POLK MOMO SYSTEM)
(LOCATED BEHIND PANEL #1)

MID STATEROOM (UPHOLSTERY)



MID STATEROOM (UPHOLSTERY)

1	1854330	260DA 07,MUFF,WNDW AFTSTRM
2	1854328	260DA 07,BLSTR,PRT AFTSTRM
	1854329	260DA 07,BLSTR SKN,PRT AFTSTRM
3	1872456	260DA 07,CUSH,STB AFTSTRM
	1872457	260DA 07,CUSH SKN,STB AFTSTRM
4	1872454	260DA 07,CUSH,CTR AFTSTRM
	1872455	260DA 07,CUSH SKN,CTR AFTSTRM
5	1872458	260DA 07,CUSH,PRT AFTSTRM
	1872459	260DA 07,CUSH SKN,PRT AFTSTRM

BOLSTER MATERIAL

1768940	FABRIC, GLAMOUR OATML FLAT (INTERIOR PACKAGE - A)
1833430	FABRIC, WALTER/SUEDE FLAT (INTERIOR PACKAGE - B)
1802191	FABRIC, MOREHEAD/PEARL T533/922882 FLAT (INTERIOR PACKAGE - C)
1792444	FABRIC, SLEEK/WHEAT FLAT (INTERIOR PACKAGE - D)

CUSHION MATERIAL

1798080	FABRIC, GLAMOUR OATML-6"DIA QLT 10OZ/AC/B (INTERIOR PACKAGE - A)
1833433	FABRIC, WALTER/SUEDE-6"DIA QLT 10OZ/AC/B (INTERIOR PACKAGE - B)
1835632	FABRIC, MOREHEAD/PEARL-6"DIA QLT 10OZ/AC/B (INTERIOR PACKAGE - C)
1797639	FABRIC, SLEEK WHEAT-6"DIA QLT 10OZ/AC/B (INTERIOR PACKAGE - D)

FOAM

1774601	FOAM, P/C 260DA-05 MID STRM
---------	-----------------------------

HEADLINER/HULL LINER/WASHABLE SURFACE

1747515	VINYL, RVIEW LT CAMEO N/W 1/4"FB
1736787	VINYL, RVIEW LT CAMEO N/W 1/2"FB
1142199	WELT, RVIEW LT CAMEO 8/32"

INTERIOR CARPET

1467182	CARPET, INT 44 OZ WHEATON 6'W 100% BCF NYLON
1113968	CARPET MASK, 21"X 200'

INTERIOR CARPET RUNNER

1850265	CANVAS, 260DA-07 CARPET RUNNER TST RV1 (HULL# 1011 -> UP)
1774355	CANVAS, 260DA-05 CARPET RUNNER TST (HULL# 1001 -> 1010)

NOT SHOWN

1501865	HOSE, CONDUIT/SPLIT 1.25" FLAME RETARDANT
---------	---

SNAP CAPS

1269430	SNAP CAP, PLAS ANTIQUE WHT
---------	----------------------------

UPHOLSTERY

103309	MESH, WHITE 60"
154369	SNAP STUD, W/#8 X 3/8" PH SS
154393	SNAP SOCKET, MED ACTION
154401	SNAP BUTTON, W/1/4" BARREL
180182	ZIPPER, #5 DELRIN CONTINUOUS WHT
180406	SLIDE, DELRIN #5 WHT 1-S LOCK
156893	WEBBING, POLYPROPYLENE 1" BLACK

MULTI-INFO PACKET**MULTI-INFO PACKET****MULTI-INFO PACKET**

1848055 PACKET, MULTI-INFO 260DA-07

OWNERS PACKET CONTENTS

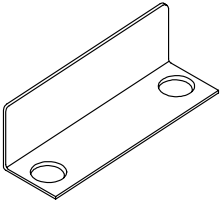
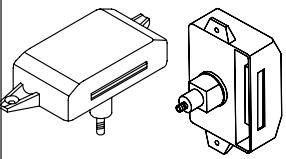
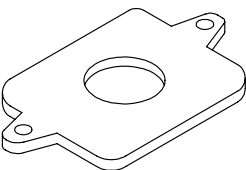
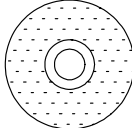
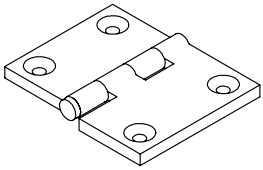
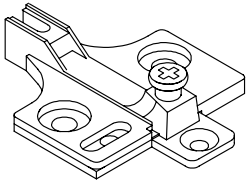
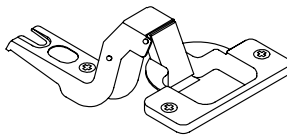
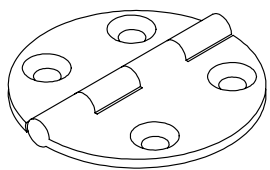
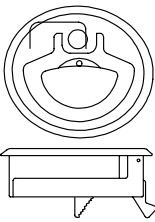
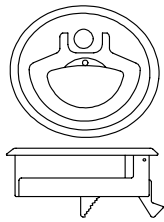
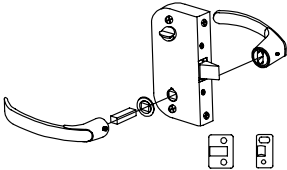
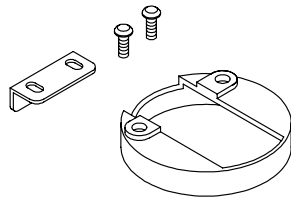
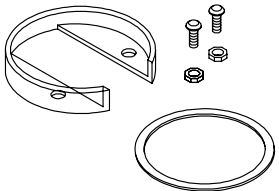
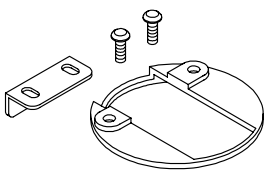
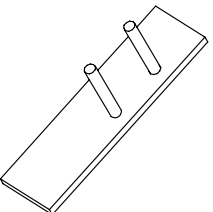
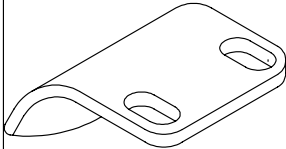
1848056 MANUAL, OWNERS - 260DA-07 10-TAB SPIRAL BOOK
 1846535 CARD, WARRANTY - SC/SY/Y '07
 1836824 CHECK LIST, IN SERVICE-SPBOATS/SPCRUISERS '06
 1507912 CARD, PASSPORT TO SAVINGS
 1764423 BROCHURE, CARBON MONOXIDE AWARENESS
 1766184 BROCHURE, WATERSKI SAFETY GUIDELINES
 1887036 BROCHURE, USCG YOU'RE IN COMMAND
 1887035 BROCHURE, USCG YOU'RE IN COMMAND PROP DANGER
 1798084 LABEL, CHEMICAL WARNINGS
 1411404 ENVELOPE, DEALER INFORMATION
 137711 CARD, NAVIGATION INFORMATION
 137729 CARD, COAST PILOTING INFORMATION
 750075 CARD, MARINE ELECTRONICS
 902726 PACKET, OWNERS BRIEFCASE CANVAS BLK (TYPHOON)
 833749 FUSE BOX, SPARE W/6 ATC BLADE STYLE
 798595 HARNESS, ACCY HATCH LIFT PIGTAIL
 1751553 BOOKLET, COAST GUARD FEDERAL REQUIREMENT
 1805468 CARD, LADDER MAINTENANCE
 1848351 MANUAL, CD DO'S AND DON'TS AT THE GAS PUMP

OWNERS PACKET SUPPLIED BY PLANT

522599 KEY, DECK PLATE CAP
 618025 VINYL FILM, MINI GRIP BAG 5" X 8"
 800565 BOOKLET, BOATER'S GUIDE TO AC ELECTRICAL SYST
 1068592 KEY, DECK PLATE CAP
 1691479 MANUAL, OWNERS - SEA RAY INT'L 12-LANGUAGE
(C E OPTION GROUP)
 1806416 DECAL, SIRIUS "NOW PLAYING INSIDE"
 1766115 PACKET, SIRIUS WELCOME KIT
 1584432 TAG, WATER READY
(PRE-RIGGED BOAT OPTION)
 1880468 CHECK LIST, INT'L DISCLOSURE SPBT/SPCRUSR '06
(HULL# 1283 -> UP)
(INTERNATIONAL IN-SERVICE CHECKLIST)

RIVERVIEW HARDWARE

RIVERVIEW PLANT HARDWARE

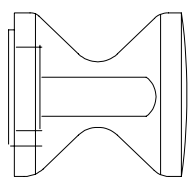
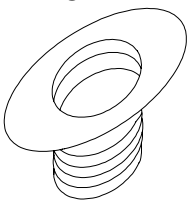
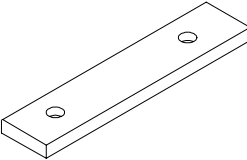
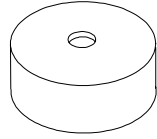
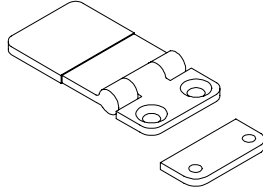
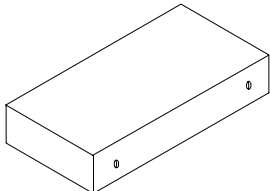
 <p>1 → 761445</p>	<p>WHITE</p>  <p>2 → 772418</p>	 <p>3 → 1132380</p>	 <p>4 → 776567</p>
 <p>5 → 132324</p>	 <p>6 → 525667</p>	 <p>7 → 839399</p>	 <p>8 → 1338821</p>
<p>STAINLESS STEEL</p>  <p>9 → 1781437</p>	<p>STAINLESS STEEL</p>  <p>10 → 1781434</p>	<p>RH OUT SATIN/NICKLE</p>  <p>11 → 1776179</p>	 <p>12 → 1781435</p>
 <p>13 → 1781440</p>	 <p>14 → 1781436</p>	 <p>15 → 1625078</p>	 <p>16 → 1441955</p>

RIVERVIEW HARDWARE

1	761445	CATCH, RIM-LOCK STRIKE PLATE
2	772418	CATCH, RIM-LOCK WHT
3	1132380	CATCH, RIM-LOCK WHT (SHIM ONLY)
4	776567	CATCH, ROUND PLAS 13/16" "DUAL LOCK" (3M)
5	132324	HINGE, BUTT CHROME/ZINC 2"
6	525667	HINGE, CONCEALED FULL OVERLAY MT PLATE ONLY
7	839399	HINGE, SELF CLOSING BLUM SCREW-ON
8	1338821	HINGE, SS STRAP 2.56" X 2.56" X 1/4"
9	1781437	LATCH, COMPRESSION 2"N/LOCKING SS
10	1781434	LATCH, FLUSH MNT N/LOCKING SLAM SS
11	1776179	LATCH, OFFSHR FLSH RH-OUT PRVKNB SAT/NCK 5/8"
12	1781435	PLATE, CUP BRKT 2"LONG SCREW W/HDWR PKG
13	1781440	PLATE, DEEP BRKT 2"W/HDWR PKG SS
14	1781436	PLATE, FLAT BRKT 2"SHORT SCREW W/HDWR PKG
15	1625078	PLATE, SS SPOILER MNT W/2STUD 1/2"X3.5" (FIBERGLASS SPORT SPOILER W/ OVERHEAD LIGHTS) (SOFT TOP CANVAS OPTION)
16	1441955	PLATE, STRIKER EXTENDED

RIVERVIEW HARDWARE (CONTINUED 1)

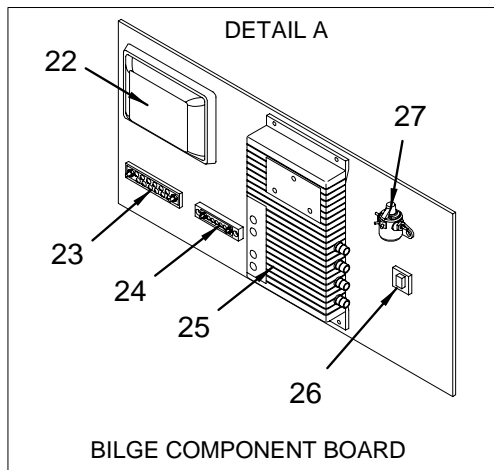
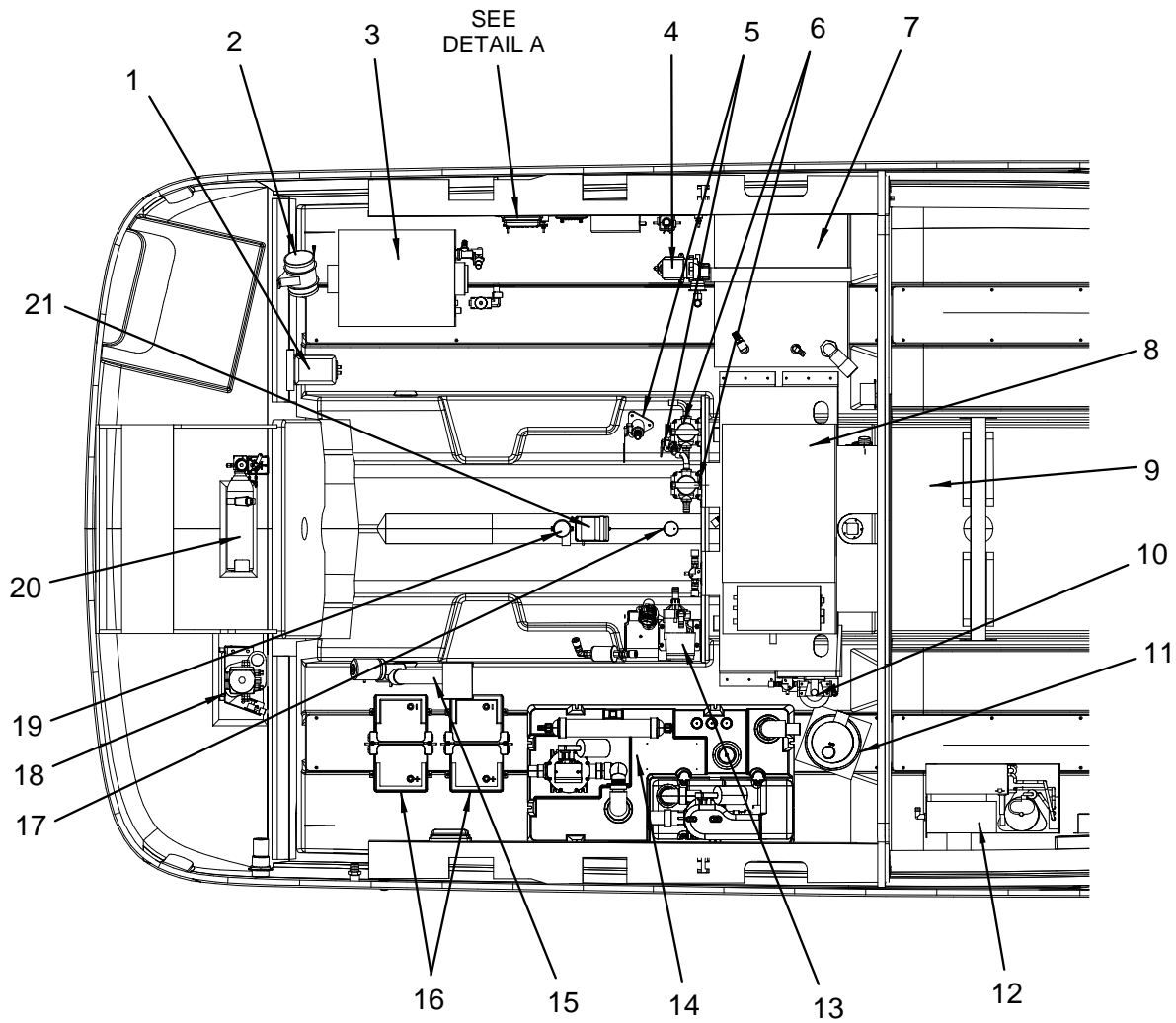
RIVERVIEW PLANT HARDWARE

<p>SATIN</p>  <p>1 → 1742136</p>	<p>19MM SATIN/NKL OVAL</p>  <p>2 → 1742137</p>	 <p>3 → 826453</p>	<p>1/4"X1/2"X1/75 ARTIC WHITE</p>  <p>4 → 1194521</p>
 <p>5 → 1340959</p>	<p>3/4" X 2" X 4" ARTIC WHITE</p>  <p>6 → 1286947</p>		

RIVERVIEW HARDWARE (CONTINUED 1)

- 1 1742136 PULL, PUSH-BUTTON KNOB SAT/NCKL
- 2 1742137 PULL, ROSETTE SAT/NCKL OVAL 19MM
- 3 826453 SHIM, DOOR STRIKER
- 4 1194521 SHIM, HDPE 1/4"X 1/2"X 1.75" ARW
- 5 1340959 STOP, SLIDING DOOR/WINDOW CHR HVY DTY
- 6 1286947 STOP, HDPE 3/4"X 2"X 4" ENTRYWAY DOOR ARW

BILGE (GAS ENGINES)



BILGE (GAS ENGINES)

1	268508	TRIM TAB, HYD PUMP KIT W/3"NIPPLE	14	1788791	FILTER, HEAD TREATMENT SYSTEM DOMETIC (PART OF 1761960 & 1760159)
2	1794013	BLOWER, BILGE 4" ATTWOOD W/CONN (HULL# 1124 -> UP)		1788793	PUMP, HEAD SYS MACERATOR 12VDC DOMETIC (PART OF 1760159)
	1771006	BLOWER, BILGE 4" #240MQ W/CONN (HULL# 1001 -> 1123)		1835677	(MACERATOR W/ SEACOCK INTERLOCK SYSTEM)
	124016	HOSE, VENT/BLOWER 4" EX HVY DTY		1852579	SENDING UNIT, HOLD TANK 28 GAL HTS W/VAC GEN (PART OF 1761960 & 1760159)
	716159	VENT, PLAS GRILL 4" BLK		1852579	SENDING UNIT, HOLD TANK FULL LEVEL INDICATOR (PART OF 1835677)
3	1142496	HEATER, WATER 6 GAL 110/60 W/75-210T&P		1852580	SENDING UNIT, HOLD TANK MID LEVEL INDICATOR (PART OF 1835677)
	1156728	HEATER, WATER 6 GAL 220/50 W/75-210T&P (220 VOLT / 50 CYCLE ELECTRICAL SYSTEM)		1852581	SENDING UNIT, HOLD TANK EMPTY LEVEL INDICATOR (PART OF 1835677)
4	1771071	PUMP, FRESH WTR SHURFLO 2.8GPM SFT MNT W/CONN		846899	HOSE, SANI 1.5" PREMIUM RBR BLK
5	518431	SEACOCK, BRZ 3/4" W/O TAILPIECE (AIR CONDITIONING / HEATING) (GENERATOR)		1798858	VACUUM GEN, DIRECTOVRBD W/SEACKSW/SHTDWN RELY (VACUUM FLUSH HEAD W/ DIRECT OVER BOARD INTL)
	531574	PICK-UP, BRZ WATER INTAKE 3/4" (AIR CONDITIONING / HEATING)		1302116	SWITCH, SEACOCK INTERLOCK W/60" LEADS/CONN (VACUUM FLUSH HEAD W/ DIRECT OVER BOARD INTL)
	123810	HOSE, GEN PURPOSE 3/4" (AIR CONDITIONING / HEATING) (GENERATOR)		518456	SEACOCK, BRZ 1.5" W/O TAILPIECE (VACUUM FLUSH HEAD W/ DIRECT OVER BOARD INTL)
	518449	SEACOCK, BRZ 1.25" W/O TAILPIECE (350 MAG MPI HORIZON BR 3 (300 PHP) MCM SD) (MX 6.2L MPI HORIZON BR3 (320 PHP) STERN DR)		579870	THRU-HULL, BRZ 1.5" W/O NUT (VACUUM FLUSH HEAD W/ DIRECT OVER BOARD INTL)
	531590	PICK-UP, BRZ WATER INTAKE 1.25" (350 MAG MPI HORIZON BR 3 (300 PHP) MCM SD) (MX 6.2L MPI HORIZON BR3 (320 PHP) STERN DR)		1745156	LABEL, NOTICE OVERBOARD DISCHARGE (LEXAN) (VACUUM FLUSH HEAD W/ DIRECT OVER BOARD INTL)
	124206	HOSE, WATER INTAKE 1.25" HW (350 MAG MPI HORIZON BR 3 (300 PHP) MCM SD) (MX 6.2L MPI HORIZON BR3 (320 PHP) STERN DR)		531566	ELBOW, BRZ 90DEG 1.5"MPT X 1.5"BARB (VACUUM FLUSH HEAD W/ DIRECT OVER BOARD INTL)
	518464	TAILPIECE, BRZ 1.25"MPT X 1.25"BARB (350 MAG MPI HORIZON BR 3 (300 PHP) MCM SD) (MX 6.2L MPI HORIZON BR3 (320 PHP) STERN DR)	15	1799988	ACTUATOR, ELEC HATCH LIFT 18"12V 6000RPM
	586917	ELBOW, BRZ 45DEG 1.25"MPT X 1.25"BARB (350 MAG MPI HORIZON BR 3 (300 PHP) MCM SD) (MX 6.2L MPI HORIZON BR3 (320 PHP) STERN DR)		1798146	ACTUATOR, ELEC HATCH UPR PIN
	256701	CLAMP, HOSE #28 1 5/16"-2.25" SS .505 (350 MAG MPI HORIZON BR 3 (300 PHP) MCM SD) (MX 6.2L MPI HORIZON BR3 (320 PHP) STERN DR)		1686744	BRACKET, 320DA-02 HATCH LIFT UPR
6	1791584	STRAINER, BRZ WATER INTAKE 3/4" W/NYLON STRAP (AIR CONDITIONING / HEATING) (GENERATOR)	16	1239458	HOLDER, BATTERY GR27/31 BLK NYLON W/SS
	1851357	BRACKET, STRAINER MNT UPR (PART OF 1791584)		1802081	CABLE, BATT KIT 260DA-05 DUAL BATT RV1
	1851358	BRACKET, STRAINER MNT LWR (PART OF 1791584)		1802082	CABLE, BATT KIT 260DA-05 GAS/GEN/PRMSTERO RV1 (GAS GENERATOR)
	1404854	PLUG, PLASTIC STRAINER DRAIN (PART OF 1791584)		130856	(PREMIER STEREO UPGRADE - POLK MOMO SYSTEM)
	169193	ELBOW, BRZ 90DEG 3/4"MPT X 3/4"BARB (AIR CONDITIONING / HEATING) (GENERATOR)		130849	BOOT, BATTERY CABLE BLK
	531426	ADAPTER, BRZ 3/4"MPT X 3/4"BARB (AIR CONDITIONING / HEATING) (GENERATOR)		140509	BOOT, BATTERY CABLE RED
	158063	STRAINER, BRZ WATER INTAKE 1.25" (350 MAG MPI HORIZON BR 3 (300 PHP) MCM SD) (MX 6.2L MPI HORIZON BR3 (320 PHP) STERN DR)		1258979	BOOT, ENG STARTER RED
	1884113	BRACKET, STRAINER MNT LWR BRZ (PART OF 158063)		1258987	BOOT, BATTERY CABLE 105C "T" BLK 4/0
	1884114	CLAMP, SS STRAINER (STRAP) (PART OF 158063)		1258987	BOOT, BATTERY CABLE 105C "T" RED 4/0 (WINDLASS - CHAIN)
7	959809	TANK, WATER - 28GAL W/PICKUP TUBE		650499	BOOT, BATTERY CABLE 4/0 RED 11/16"
	964387	TUBE, PICK-UP WATER 17" 1/2"DIA SCH 40 WHT (PART OF 959809)	17	1727450	ACC PART, MERC S-CRFT TRNS W/10" NYL DEP/TEMP
8	1803671	GENERATOR, 5ECD GAS KOHLER 120V/60 SCRFT (GENERATOR 5.0 ECD KOHLER - GAS - 120V/60HZ)	18	685404	ACC PART, MERC TRIM PUMP (SUPPLIED WITH STERNDRIVE MERCURY ENGINES)
	1833211	GENERATOR, 4EFCG GAS KOHLER 220V/50 SCRFT (GENERATOR 4.0 EFCG KOHLER - GAS - 220V/50HZ)	19	1796904	PUMP, BILGE 1200GPH TSUNAMI W/CONN (HULL# 1124 -> UP)
9	1759542	TANK, FUEL 260DA-05 84GAL PLAS W/SS SENDER		1771004	PUMP, BILGE 1100GPH W/IMPLLR HOUSG VNS W/CONN (HULL# 1001 -> 1123)
10	148171	FILTER, FUEL/WATER SEPARATOR KIT (GAS GENERATOR)		529016	PUMP, BILGE 16GPM MANUAL TWO POS (C E OPTION GROUP)
11	1784602	MUFFLER, 2"IN X 2"OUT 9"X 9" BASE (GENERATOR)		801563	PUMP, BILGE MANUAL PICKUP/STRAINER (C E OPTION GROUP)
	160374	MUFFLER, DRAIN PLUG (PART OF 1784602)	20	1837240	FIRE EXT SYS, FE241 (SR) 250CF AUTO/MAN W/CONN (HULL# 1185 -> UP)
12	1759849	A/C COMP, COMPACT 7K SMXII 115V 60HZ R22 (AIR CONDITIONING / HEATING-7000BTU-120V/60)		1837239	FIRE EXT SYS, FE241 (SR) 150CF AUTO/MAN W/CONN (HULL# 1023 -> 1184)
	1769421	A/C COMP, COMPACT 7K SMXII 220V 50HZ GG (AIR CONDITIONING / HEATING-7000BTU- 220V/50)		1771029	HALON SYS, MANUAL/AUTO 150CF W/CONN (HULL# 1001 -> 1022)
13	948265	A/C COMP, PUMP SEAWATER 115V (AIR CONDITIONING / HEATING-7000BTU-120V/60)		1771025	FIRE EXT SYS, FM200 150CFGAS/DSL-MAN/AUTW/CON (FIRE SUPPRESSION FM 200 - INTERNATIONAL)
	948349	A/C COMP, PUMP SEAWATER 230V (AIR CONDITIONING / HEATING-7000BTU- 220V/50)		1788085	FIRE EXT SYS, FM200 250CFGAS/DSL-MAN/AUTO/CON (C E OPTION GROUP)
14	1761960	TANK, HOLDING 28 GAL HTS W/VAC GEN W/CONN		1799844	HALON SYS, INDICATOR LIGHT 12V GRN (GAS ENGINES ONLY - SUPPLIED WITH HALON OR FIRE EXTINGUISHING SYSTEMS)
	1760159	TANK, HOLDING 28 GAL HTS W/VAC GEN/12V T-PMF (MACERATOR W/ SEACOCK INTERLOCK SYSTEM)		598151	HALON CABLE, MANUAL PULL CABLE 17'
	1788792	VACUUM GEN, 12VDC DOMETIC (PART OF 1761960 & 1760159)	21	1794015	SWITCH, FLOAT ATTWOOD W/CVR W/CONN (HULL# 1049 -> UP)
				1771033	SWITCH, FLOAT RULE W/CVR W/CONN (HULL# 1001 -> 1048)
			22	1771064	LIGHT, SGL DOME FLSH MNT PLS WHT N/SW W/CONN
				604801	BULB, DOME LIGHT 12V (REPLACEMENT BULB FOR 1771064)
			23	795583	BUSS BAR, SGL POST 5/16"
			24	1324334	BUSS BAR, MINIBUS BAR DC
			25	1815999	CONVERTER, 10/10AMP 120VAC/12VDC BLUE
				1816000	CONVERTER, 10/10AMP 220VAC BLUE (220 VOLT / 50 CYCLE ELECTRICAL SYSTEM)
			26	1121789	BRKR, SURF MNT THERMAL 40AMP MANUAL RESET (PREMIER STEREO UPGRADE - POLK MOMO SYSTEM)
			27	644609	SOLENOID, MAGNET LATCHING 12V 100A/500A W/HDW (WINDLASS - ROPE/CHAIN)

FOAM

- 1764897 FOAM, P/C 260DA/270AJ-05 CONV BILGE BLKHD 2PC
 1764898 FOAM, P/C 260DA/270AJ-05 CE CONV BILGE BLKHD
 (C E OPTION GROUP)

HARNESSES

- 1802105 HARNESS, ENG MERC S-CRFT 14 PIN 20'
 (HULL# 1124 -> UP)
 1727449 HARNESS, ENG MERC S-CRFT 1000-2RSL-25'
 (HULL# 1001 -> 1123)
 1774618 HARNESS, MOTOR AM WIPER 6" PIGTAIL W/CONN
 1782631 HARNESS, MERC TRIM PUMP ADAPTER
 (HULL# 1001 -> 1127)
 1840204 HARNESS, 260DA-07 BILGE 120V
 (HULL# 1124 -> UP)
 1805914 HARNESS, 260DA-06 BILGE W/S-CRFT 120V
 (HULL# 1001 -> 1123)
 1840205 HARNESS, 260DA-07 BILGE 220V
 (HULL# 1124 -> UP)
 (220 VOLT / 50 CYCLE ELECTRICAL SYSTEM)
 1805915 HARNESS, 260DA-06 BILGE W/S-CRFT 220V
 (HULL# 1001 -> 1123)
 (220 VOLT / 50 CYCLE ELECTRICAL SYSTEM)
 1839411 HARNESS, ENG MERC S-CRFT ADAPTR 10 PIN-14 PIN
 (HULL# 1014 -> 1129)
 1839412 HARNESS, FUEL ADAPTER 3 PIN TO NW 6 PIN
 1789965 HARNESS, MERCURY FUEL ADAPTER 6 PIN TO 3
 (496 MAG BR 3 (375 PHP) MCM STERN DRIVE)

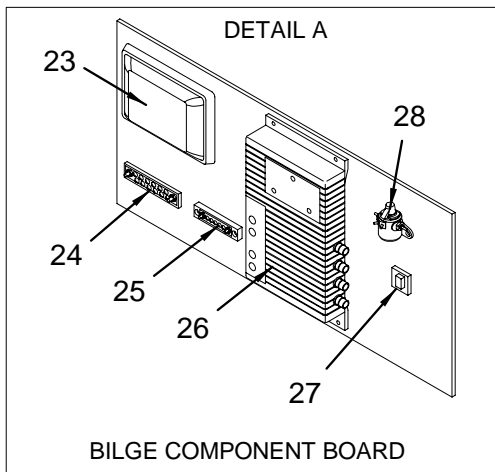
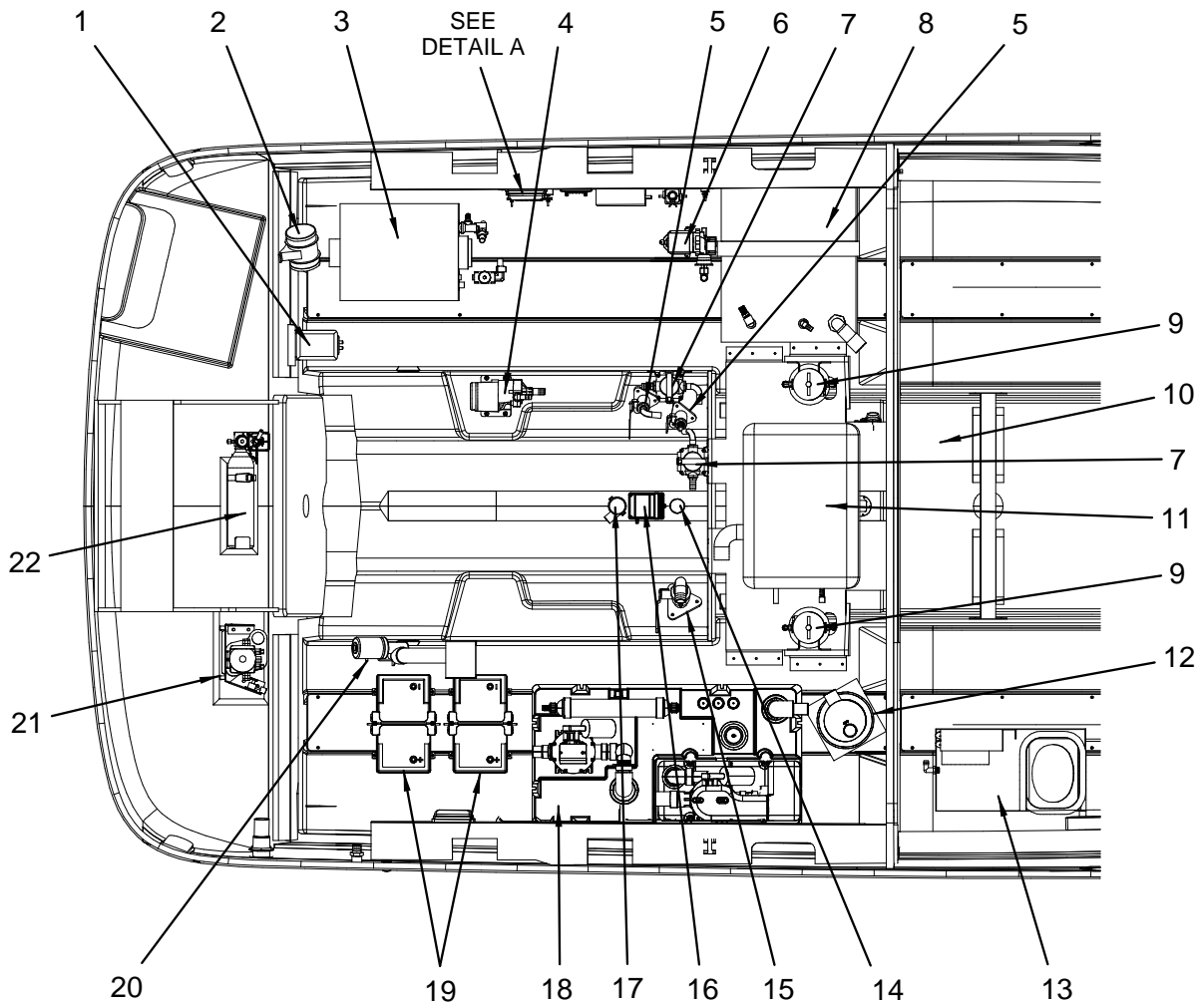
LABELS

- 1744737 LABEL, DISCHARGE OF OIL (LEXAN)
 1744762 LABEL, WARNING PYHY FIRE EXT PRT (LEXAN)
 1745512 LABEL, STAY CLEAR OF MOVING PARTS ON ENGINE
 1790406 LABEL, DC NEGATIVE (LEXAN)
 1790407 LABEL, AC NEUTRAL (LEXAN)
 1790408 LABEL, AC GROUNDING (LEXAN)
 1745514 LABEL, PREVENT DISCHARGE OF POLLUTANTS
 (C E OPTION GROUP)

NOT SHOWN

- 1583046 ACC PART, MERC EXHAUST INT ELBOW KIT
 (496 MAG BR 3 (375 PHP) MCM STERN DRIVE)
 1583384 ACC PART, MERC EXHAUST PIPE (Y PIPE)
 (496 MAG BR 3 (375 PHP) MCM STERN DRIVE)
 1610500 ACC PART, MERC S-CRFT WTHR CAP 3POS CAP
 (496 MAG BR 3 (375 PHP) MCM STERN DRIVE)
 799825 PLUG, HOLE 1" WHT

BILGE (DIESEL ENGINES)



BILGE (DIESEL ENGINES)

1	268508	TRIM TAB, HYD PUMP KIT W/3"NIPPLE	18	1852579	SENDING UNIT, HOLD TANK FULL LEVEL INDICATOR (PART OF 1835677)
2	1794013	BLOWER, BILGE 4" ATTWOOD W/CONN (HULL# 1124 -> UP)		1852580	SENDING UNIT, HOLD TANK MID LEVEL INDICATOR (PART OF 1835677)
	1771006	BLOWER, BILGE 4" #240MQ W/CONN (HULL# 1001 -> 1123)		1852581	SENDING UNIT, HOLD TANK EMPTY LEVEL INDICATOR (PART OF 1835677)
3	1142496	HEATER, WATER 6 GAL 110/60 W/75-210T&P		846899	HOSE, SANI 1.5" PREMIUM RBR BLK
	1156728	HEATER, WATER 6 GAL 220/50 W/75-210T&P (220 VOLT / 50 CYCLE ELECTRICAL SYSTEM)		1798858	VACUUM GEN, DIRECTOVRBD W/SEACKSW/SHTDWN RELY (VACUUM FLUSH HEAD W/ DIRECT OVER BOARD INTL)
4	948265	A/C COMP, PUMP SEAWATER 115V (AIR CONDITIONING / HEATING-7000BTU-120V/60)		1302116	SWITCH, SEACOCK INTERLOCK W/60" LEADS/CONN (VACUUM FLUSH HEAD W/ DIRECT OVER BOARD INTL)
	948349	A/C COMP, PUMP SEAWATER 230V (AIR CONDITIONING / HEATING-7000BTU- 220V/50)		518456	SEACOCK, BRZ 1.5" W/O TAILPIECE (VACUUM FLUSH HEAD W/ DIRECT OVER BOARD INTL)
5	518431	SEACOCK, BRZ 3/4" W/O TAILPIECE (AIR CONDITIONING / HEATING) (GENERATOR)		579870	THRU-HULL, BRZ 1.5" W/O NUT (VACUUM FLUSH HEAD W/ DIRECT OVER BOARD INTL)
	531574	PICK-UP, BRZ WATER INTAKE 3/4" (AIR CONDITIONING / HEATING)		1745156	LABEL, NOTICE OVERBOARD DISCHARGE (LEXAN) (VACUUM FLUSH HEAD W/ DIRECT OVER BOARD INTL)
	123810	HOSE, GEN PURPOSE 3/4" (AIR CONDITIONING / HEATING) (GENERATOR)		531566	ELBOW, BRZ 90DEG 1.5"MPT X 1.5"BARB (VACUUM FLUSH HEAD W/ DIRECT OVER BOARD INTL)
6	1771071	PUMP, FRESH WTR SHURFLO 2.8GPM SFT MNT W/CONN	19	1239458	HOLDER, BATTERY GR27/31 BLK NYLON W/SS
7	1791584	STRAINER, BRZ WATER INTAKE 3/4" W/NYLON STRAP (AIR CONDITIONING / HEATING) (GENERATOR)		1802079	CABLE, BATT KIT 260DA-05 VOLVO RV1
	1404854	PLUG, PLASTIC STRAINER DRAIN (PART OF 1791584)		1802080	CABLE, BATT KIT 260DA-05 DSL/GEN/PRMSTERO RV1 (DIESEL GENERATOR) (PREMIER STEREO UPGRADE - POLK MOMO SYSTEM)
	1851357	BRACKET, STRAINER MNT UPR (PART OF 1791584)	20	1799988	ACTUATOR, ELEC HATCH LIFT 18"12V 6000RPM
	1851358	BRACKET, STRAINER MNT LWR (PART OF 1791584)	21	685404	ACC PART, MERC TRIM PUMP (SUPPLIED WITH STERNDRIIVE MERCURY ENGINES)
	169193	ELBOW, BRZ 90DEG 3/4"MPT X 3/4"BARB (AIR CONDITIONING / HEATING) (GENERATOR)	22	1837240	FIRE EXT SYS, FE241 (SR) 250CF AUTO/MAN W/CON (HULL# 1185 -> UP)
	531426	ADAPTER, BRZ 3/4"MPT X 3/4"BARB (AIR CONDITIONING / HEATING) (GENERATOR)		1837239	FIRE EXT SYS, FE241 (SR) 150CF AUTO/MAN W/CON (HULL# 1023 -> 1184)
	123810	HOSE, GEN PURPOSE 3/4" (AIR CONDITIONING / HEATING) (GENERATOR)		1771029	HALON SYS, MANUAL/AUTO 150CF W/CONN (HULL# 1001 -> 1022)
8	959809	TANK, WATER - 28GAL W/PICKUP TUBE		1771025	FIRE EXT SYS, FM200 150CFGAS/DSL-MAN/AUTW/CON (FIRE SUPPRESSION FM 200 - INTERNATIONAL)
	964387	TUBE, PICK-UP WATER 17" 1/2"DIA SCH 40 WHT (PART OF 959809)		1788085	FIRE EXT SYS, FM200 250CFGAS/DSL-MAN/AUTO/CON (C E OPTION GROUP)
9	1524065	FILTER, REMOTE FUEL DSL (500MASR) (DIESEL ENGINE AND GENERATOR)		1799844	HALON SYS, INDICATOR LIGHT 12V GRN (GAS ENGINES ONLY - SUPPLIED WITH HALON OR FIRE EXTINGUISHING SYSTEMS)
10	1799812	TANK, FUEL 260DA-06 84GAL DSL PLAS W/SS SNDR (HULL# 1181 -> UP)		598151	HALON CABLE, MANUAL PULL CABLE 17'
	1764504	TANK, FUEL 260DA-05 84GAL DSL PLAS W/SS SNDR (HULL# 1151 ONLY)		1148857	HALON SYS, ENG INTRUPT/RESTR 12V 5-CKT
11	1733235	GENERATOR, 4.0KW DSL KOHLER 60HZ (GENERATOR 4.0 EOZ KOHLER - DIESEL - 120V/60)	23	1771064	LIGHT, SGL DOME FLSH MNT PLS WHT N/SW W/CONN
	1763544	GENERATOR, 3.5 KW DSL KOHLER 50HZ SS BASE (GENERATOR 3.5 EFOZ KOHLER -DIESEL - 220V/50)		604801	BULB, DOME LIGHT 12V (REPLACEMENT BULB FOR 1771064)
12	1784602	MUFFLER, 2"IN X 2"OUT 9"X 9" BASE (GENERATOR)	24	795583	BUSS BAR, SGL POST 5/16"
	160374	MUFFLER, DRAIN PLUG (PART OF 1784602)	25	1324334	BUSS BAR, MINIBUS BAR DC
13	1759849	A/C COMP, COMPACT 7K SMXII 115V 60HZ R22	26	1815999	CONVERTER, 10/10AMP 120VAC/12VDC BLUE
	1769421	A/C COMP, COMPACT 7K SMXII 220V 50HZ GG (AIR CONDITIONING / HEATING-7000BTU- 220V/50)		1816000	CONVERTER, 10/10AMP 220VAC BLUE (220 VOLT / 50 CYCLE ELECTRICAL SYSTEM)
14	1847395	TRANSDUCER, MULTI SENSOR KIT VOLVO	27	1121789	BRKR, SURF MNT THERMAL 40AMP MANUAL RESET (PREMIER STEREO UPGRADE - POLK MOMO SYSTEM)
15	518456	SEACOCK, BRZ 1.5" W/O TAILPIECE (MACERATOR W/ SEACOCK INTERLOCK SYSTEM) (VACUUM FLUSH HEAD W/ DIRECT OVER BOARD INTL)	28	644609	SOLENOID, MAGNET LATCHING 12V 100A/500A W/HDW (WINDLASS - ROPE/CHAIN) (WINDLASS - CHAIN)
	531566	ELBOW, BRZ 90DEG 1.5"MPT X 1.5"BARB (MACERATOR W/ SEACOCK INTERLOCK SYSTEM) (VACUUM FLUSH HEAD W/ DIRECT OVER BOARD INTL)			
16	1794015	SWITCH, FLOAT ATTWOOD W/CVR W/CONN (HULL# 1049 -> UP)			
	1771033	SWITCH, FLOAT RULE W/CVR W/CONN (HULL# 1001 -> 1048)			
17	1796904	PUMP, BILGE 1200GPH TSUNAMI W/CONN (HULL# 1124 -> UP)			
	1771004	PUMP, BILGE 1100GPH W/IMPLLR HOUSG VNS W/CONN (HULL# 1001 -> 1123)			
18	1761960	TANK, HOLDING 28 GAL HTS W/VAC GEN W/CONN			
	1760159	TANK, HOLDING 28 GAL HTS W/VAC GEN/12V T-PMP (MACERATOR W/ SEACOCK INTERLOCK SYSTEM)			
	1788792	VACUUM GEN, 12VDC DOMETIC (PART OF 1761960 & 1760159)			
	1788791	FILTER, HEAD TREATMENT SYSTEM DOMETIC (PART OF 1761960 & 1760159)			
	1788793	PUMP, HEAD SYS MACERATOR 12VDC DOMETIC (PART OF 1760159) (MACERATOR W/ SEACOCK INTERLOCK SYSTEM)			
	1835677	SENDING UNIT, HOLD TANK 28 GAL HTS W/VAC GEN (PART OF 1761960 & 1760159)			

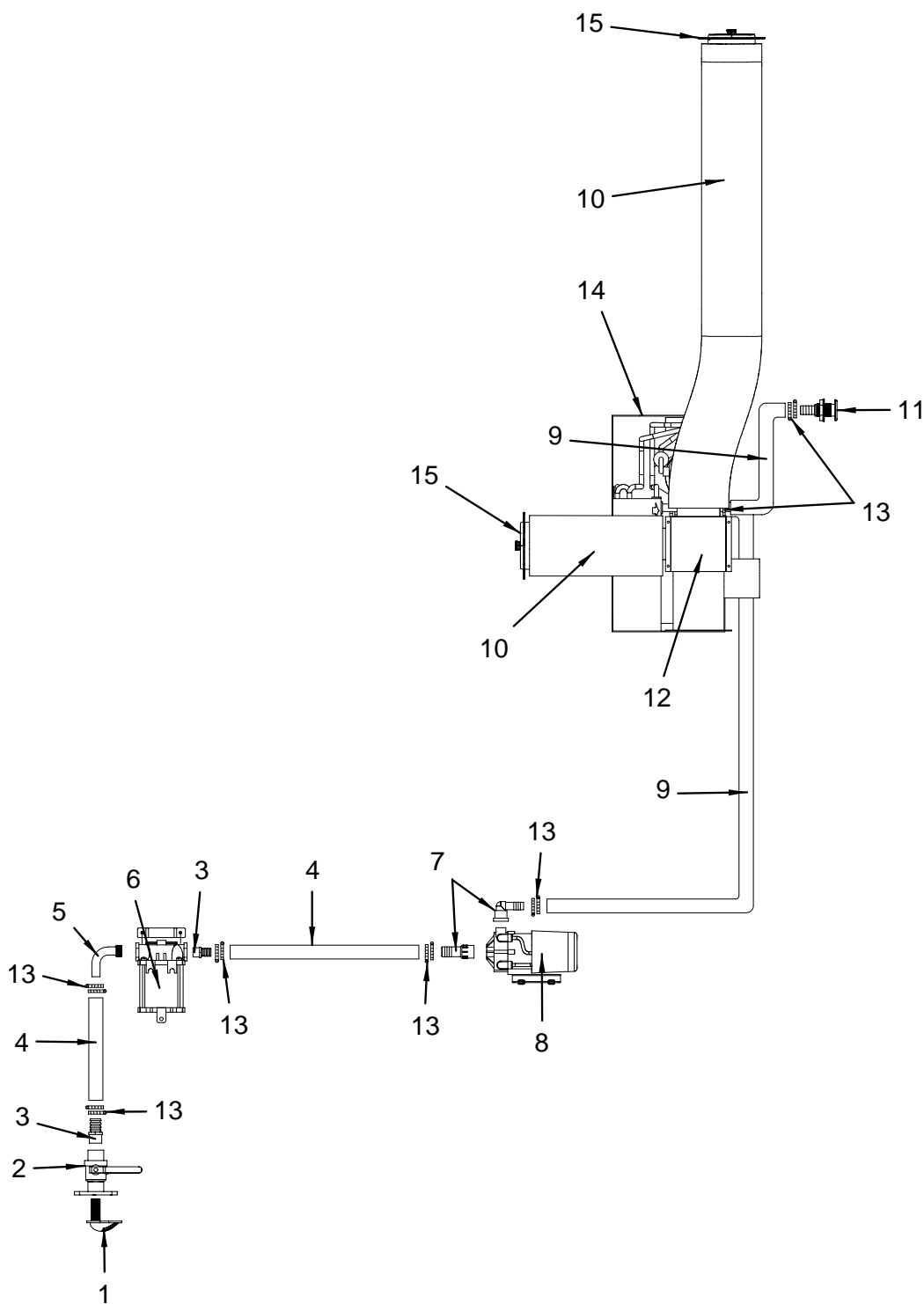
HARNESSES

1762413	HARNESSES, ENG MERC S-CRFT SC100 LINK EXT 12" (D6-310DPH (298 PHP) VOLVO DIESEL STERN DR.)
1800634	HARNESSES, 260DA-06 BILGE DSL D4/D6 120V (D6-310DPH (298 PHP) VOLVO DIESEL STERN DR.)
1800635	HARNESSES, 260DA-06 BILGE DSL D4/D6 220V (D6-310DPH WITH 220 VOLT / 50 CYCLE ELECTRICAL SYSTEM)
1847957	HARNESSES, FIRE SYS SHUTDWN VOLVO (D6-310DPH (298 PHP) VOLVO DIESEL STERN DR.)

NOT SHOWN

1486497	ACC PART, VOLVO BOOT PROTECTIVE SLEEVE
1798707	SUPPORT, MOTOR MOUNT VOLVO D6 ALUM (D6-310DPH (298 PHP) VOLVO DIESEL STERN DR.)
1815910	SHIM, ALUM ENG MNT 1/2"VOLVO D6 4"X9" (D6-310DPH (298 PHP) VOLVO DIESEL STERN DR.)

AIR CONDITIONING SYSTEM



AIR CONDITIONING SYSTEM

- 1 531574 PICK-UP, BRZ WATER INTAKE 3/4"
- 2 518431 SEACOCK, BRZ 3/4" W/O TAILPIECE
- 3 531426 ADAPTER, BRZ 3/4"MPT X 3/4"BARB
- 4 123810 HOSE, GEN PURPOSE 3/4"
- 5 169193 ELBOW, BRZ 90DEG 3/4"MPT X 3/4"BARB
- 6 1791584 STRAINER, BRZ WATER INTAKE 3/4" W/NYLON STRAP
- 1851357 BRACKET, STRAINER MNT UPR
(PART OF 1791584)
- 1851358 BRACKET, STRAINER MNT LWR
(PART OF 1791584)
- 1404854 PLUG, PLASTIC STRAINER DRAIN
(PART OF 1791584)
- 7 948273 A/C COMP, HOSE FITTINGS FOR PMP500
- 8 948265 A/C COMP, PUMP SEAWATER 115V
(120V)
- 948349 A/C COMP, PUMP SEAWATER 230V
(220V)
- 9 1058957 HOSE, WATER A/C WHT 5/8"
- 10 1688368 HOSE, AC/DUCT INSULATED 4"X12'
- 256743 CLAMP, HOSE #72 3 1/8"-5" SS .505
- 11 1778933 THRU-HULL, SS 5/8"BARB SHORT W/RBR GASKET
- 12 1073378 A/C COMP, PLENUM W/4.5X4"OPEN 4"SIDE 4"TOP
- 13 263954 CLAMP, HOSE #10 1/2"-1 1/8" SS .505
- 14 1759849 A/C COMP, COMPACT 7K SMXII 115V 60HZ R22
(120V)
- 1769421 A/C COMP, COMPACT 7K SMXII 220V 50HZ GG
(220V)
- 15 948281 A/C COMP, GRILL 4" RND N/DMPR CLW

BRACKETS

- 835850 BRACKET, ALUM 1"X 1"X 1" 3/16"HOLES
- 836007 BRACKET, ALUM 1.5"X 1.5"X 3" 3/16"HOLES
- 836023 BRACKET, ALUM 1.5"X 1.5"X 1.5" 3/16"HOLES

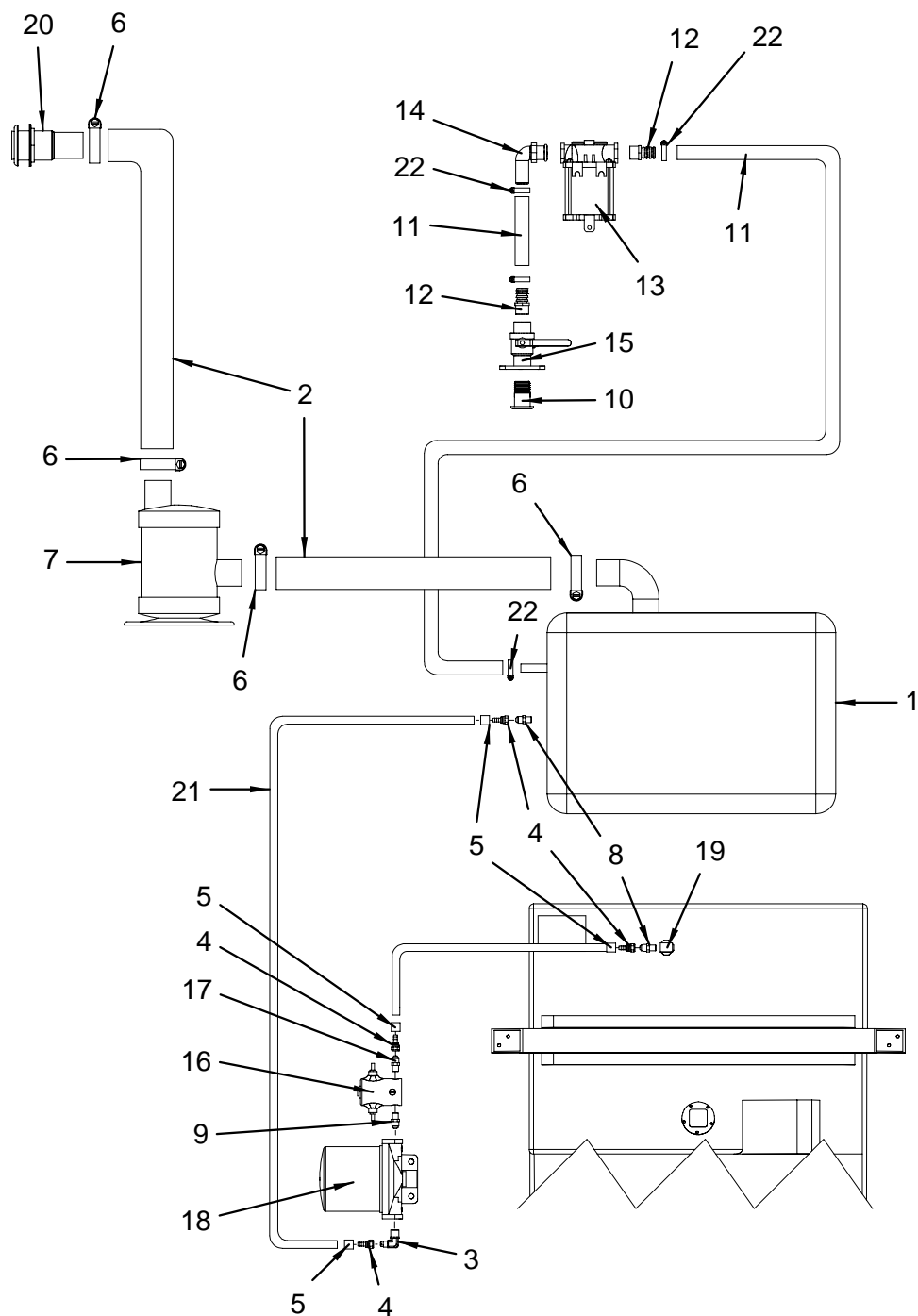
LABELS

- 1743616 LABEL, UNPLUG SHORE POWER WARNING
- 1751884 LABEL, 1/2"X 1.5" A/C CONDENSATE

NOT SHOWN

- 1872468 260DA 07,BOARD,A/C ELEC MNT
- 144899 BOX, PVC SWITCH BOX
- 1501824 HOSE, CONDUIT/SPLIT 3/4" FLAME RETARDANT
- 1604263 A/C COMP, CABLE INTERCONNECT 15'
- 1604271 A/C COMP, DISPLAY ECU BLK W/3/4" DOOR
- 1055821 A/C COMP, FACE PLATE FOR CONTROL BLK
(PART OF 1604271)
- 1206051 A/C COMP, DEFUSER 10X8 CLW W/FILTER
- 958140 A/C COMP, HOSE RING 4" OBLONG
- 411132 ELBOW, PVC 1/2"MPT X 1/2"BARB X 90DEG
- 124487 THRU-HULL, PLAS 5/8" WHT
- 1376474 CONN, NYLON 1/2" FLAT CORD GRIP WATERPROOF
- 1478841 CONN, NYLON 1/2" ROUND SKIN TOP WATERPROOF

GENERATOR SYSTEM (GAS)



GENERATOR SYSTEM (GAS)

- 1 1803671 GENERATOR, 5ECD GAS KOHLER 120V/60 SCRFT
- 1833211 GENERATOR, 4EFCO GAS KOHLER 220V/50 SCRFT
- 2 913053 HOSE, EXHAUST 2" CORR HW
- 3 629253 ELBOW, BRASS 90DEG 1/4"SAE X 1/4"MPT
- 4 1887750 FITTING, BRASS BARB/NUT 1/4" FEMALE SAE
(HULL# 1294 -> UP)
- 629279 FITTING, BRASS 1/4"BARB/NUT
(HULL# 1001 -> 1293)
- 5 1887693 FERRULE, FUEL LINE 1/4" .575"ID X .625"OD
(HULL# 1294 -> UP)
- 965954 FERRULE, FUEL LINE 1/4"ISO/CE .650"ID
(HULL# 1001 -> 1293)
- 6 256719 CLAMP, HOSE #32 1 9/16"-2.5" SS .505
- 7 1784602 MUFFLER, 2"IN X 2"OUT 9"X 9" BASE
- 160374 MUFFLER, DRAIN PLUG
(PART OF 1784602)
- 8 169920 ADAPTER, BRASS 1/4"MPT X 1/2"SAE
- 9 570135 NIPPLE, BRASS 1/4"MPT X 1/4"MPT
- 10 640300 THRU-HULL, BRZ 3/4" W/O NUT
- 11 123810 HOSE, GEN PURPOSE 3/4"
- 12 531426 ADAPTER, BRZ 3/4"MPT X 3/4"BARB
- 13 1791584 STRAINER, BRZ WATER INTAKE 3/4" W/NYLON STRAP
- 1851357 BRACKET, STRAINER MNT UPR
(PART OF 1791584)
- 1851358 BRACKET, STRAINER MNT LWR
(PART OF 1791584)
- 1404854 PLUG, PLASTIC STRAINER DRAIN
(PART OF 1791584)
- 14 169193 ELBOW, BRZ 90DEG 3/4"MPT X 3/4"BARB
- 15 518431 SEACOCK, BRZ 3/4" W/O TAILPIECE
- 16 1791155 VALVE, BRASS FUEL SHUT-OFF 12V SER7000 10W
- 17 162750 ADAPTER, BRASS 1/4"MPT X 1/4"SAE
- 18 148171 FILTER, FUEL/WATER SEPARATOR KIT
- 19 1769378 TUBE, PICK-UP ASSY 260DA-05 12" W/ELBOW (GAS)
- 20 1769255 THRU-HULL, SS EXHAUST 2" W/SS LIP
- 1835350 THRU-HULL, FLAP ONLY SS EXH 2" X-LONG
(PART OF 1769255)
- 21 1884010 HOSE, FUEL 1/4" TYPE A CLASS 1-15 ISO/CE/CARB
(HULL# 1294 -> UP)
- 340901 HOSE, FUEL 1/4" TYPE A CLASS 1 ISO/CE
(HULL# 1001 -> 1293)
- 22 256677 CLAMP, HOSE #12 1/2"-1.25" SS .505

HARNESSES

- 1807782 HARNESS, 260DA-06 GEN KOHLER GAS ECD 120V
- 1813641 HARNESS, 260DA-06 GEN KOHLER GAS ECD 220V

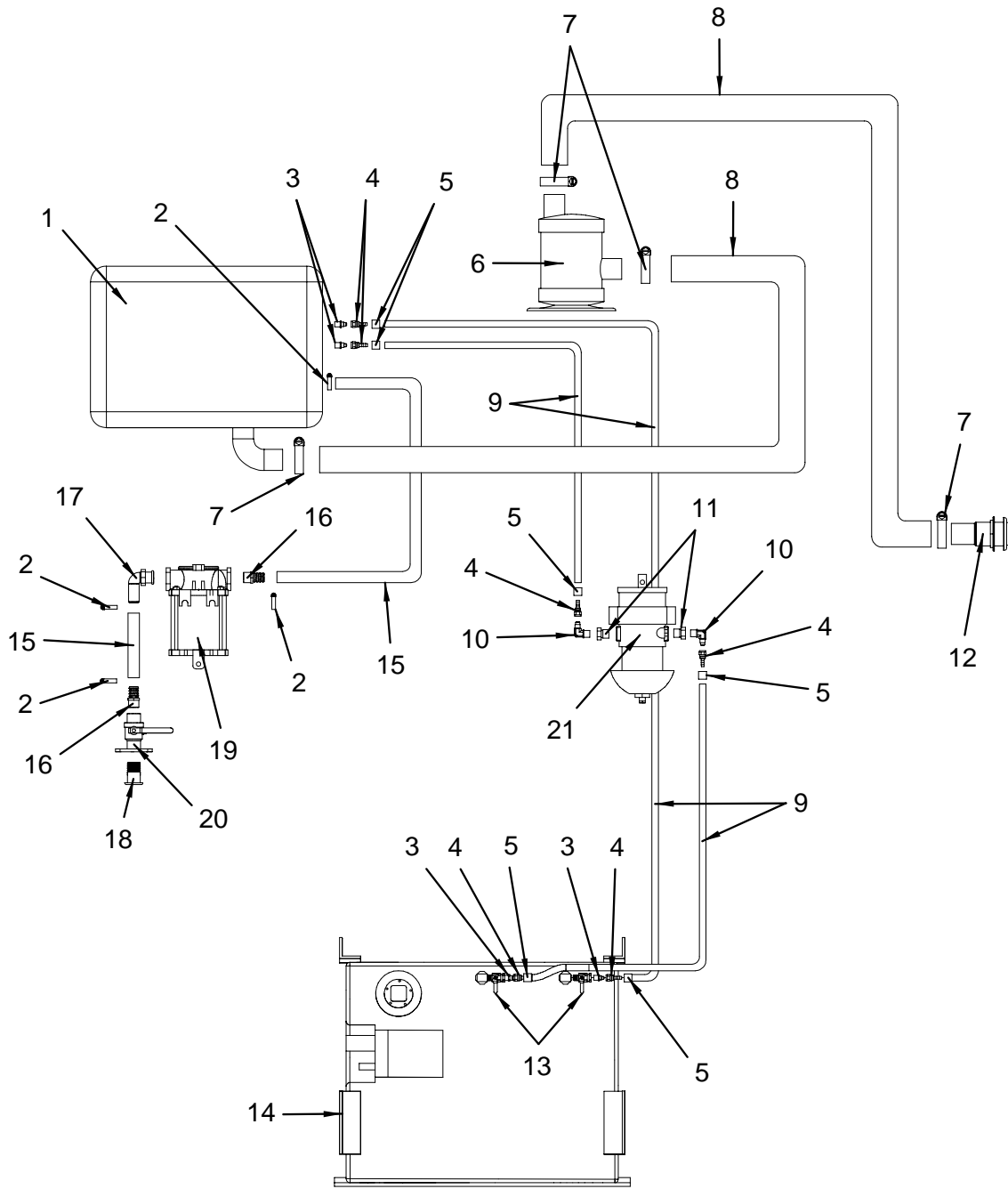
LABELS

- 1743616 LABEL, UNPLUG SHORE POWER WARNING
- 1745513 LABEL, WARNING LEAKING FUEL
- 1831528 LABEL, GENERATOR RESET NOTICE

NOT SHOWN

- 123604 CLAMP, LOOM VINYL DIP 2.5"
- 723742 COVER, CLAMP END PROT .045"X.465-1/2"RED
- 1768498 CABLE, BATT KIT 260DA-05 GAS GEN
- 1802082 CABLE, BATT KIT 260DA-05 GAS/GEN/PRMSTERO RV1
- 650499 BOOT, BATTERY CABLE 4/0 RED 11/16"
- 140509 BOOT, ENG STARTER RED
- 130849 BOOT, BATTERY CABLE RED
- 795583 BUSS BAR, SGL POST 5/16"
- 791392 BUSHING, SS THD 1/4"FPT X 3/8"MPT
- 1734756 BRKR, CIRC KOHLER GAS GEN 18A/50HZ KIT
(GENERATOR 4.0 EFCO KOHLER - GAS - 220V/50HZ)
- 1807786 PANEL, 260DA-06 GEN REMOTE SW GAS LOWCO

GENERATOR SYSTEM (DIESEL)



GENERATOR SYSTEM (DIESEL)

1	1733235	GENERATOR, 4.0KW DSL KOHLER 60HZ
	1763544	GENERATOR, 3.5 KW DSL KOHLER 50HZ SS BASE
2	256677	CLAMP, HOSE #12 1/2"-1.25" SS .505
3	162750	ADAPTER, BRASS 1/4"MPT X 1/4"SAE
4	1887750	FITTING, BRASS BARB/NUT 1/4" FEMALE SAE (HULL# 1294 -> UP)
	629279	FITTING, BRASS 1/4"BARB/NUT (HULL# 1001 -> 1293)
5	1887693	FERRULE, FUEL LINE 1/4" .575"ID X .625"OD (HULL# 1294 -> UP)
	965954	FERRULE, FUEL LINE 1/4"ISO/CE .650"ID (HULL# 1001 -> 1293)
6	1784602	MUFFLER, 2"IN X 2"OUT 9"X 9" BASE
	160374	MUFFLER, DRAIN PLUG (PART OF 1784602)
7	256719	CLAMP, HOSE #32 1 9/16"-2.5" SS .505
8	913053	HOSE, EXHAUST 2" CORR HW
9	1884010	HOSE, FUEL 1/4" TYPE A CLASS 1-15 ISO/CE/CARB (HULL# 1294 -> UP)
	340901	HOSE, FUEL 1/4" TYPE A CLASS 1 ISO/CE (HULL# 1001 -> 1293)
10	629253	ELBOW, BRASS 90DEG 1/4"SAE X 1/4"MPT
11	791392	BUSHING, SS THD 1/4"FPT X 3/8"MPT
12	1769255	THRU-HULL, SS EXHAUST 2" W/SS LIP
	1835350	THRU-HULL, FLAP ONLY SS EXH 2" X-LONG (PART OF 1769255)
13	1769379	TUBE, PICK-UP ASSY 260DA-05 12" W/VALVE (DSL)
	1764348	VALVE, BRASS FUEL 1/4"MPT X 1/4"FPT LO-PRO
14	1799812	TANK, FUEL 260DA-06 84GAL DSL PLAS W/SS SNDR (HULL# 1181 -> UP)
	1764504	TANK, FUEL 260DA-05 84GAL DSL PLAS W/SS SNDR (HULL# 1151 ONLY)
15	123810	HOSE, GEN PURPOSE 3/4"
16	531426	ADAPTER, BRZ 3/4"MPT X 3/4"BARB
17	169193	ELBOW, BRZ 90DEG 3/4"MPT X 3/4"BARB
18	640300	THRU-HULL, BRZ 3/4" W/O NUT
19	1791584	STRAINER, BRZ WATER INTAKE 3/4" W/NYLON STRAP
	1851357	BRACKET, STRAINER MNT UPR (PART OF 1791584)
	1851358	BRACKET, STRAINER MNT LWR (PART OF 1791584)
	1404854	PLUG, PLASTIC STRAINER DRAIN (PART OF 1791584)
20	518431	SEACOCK, BRZ 3/4" W/O TAILPIECE
21	1524065	FILTER, REMOTE FUEL DSL (500MASR)

HARNESSES

1769261	HARNESSES, 260DA-05 GEN KOHLER DSL 120V
1776739	HARNESSES, 260DA-05 GEN KOHLER DSL 220V

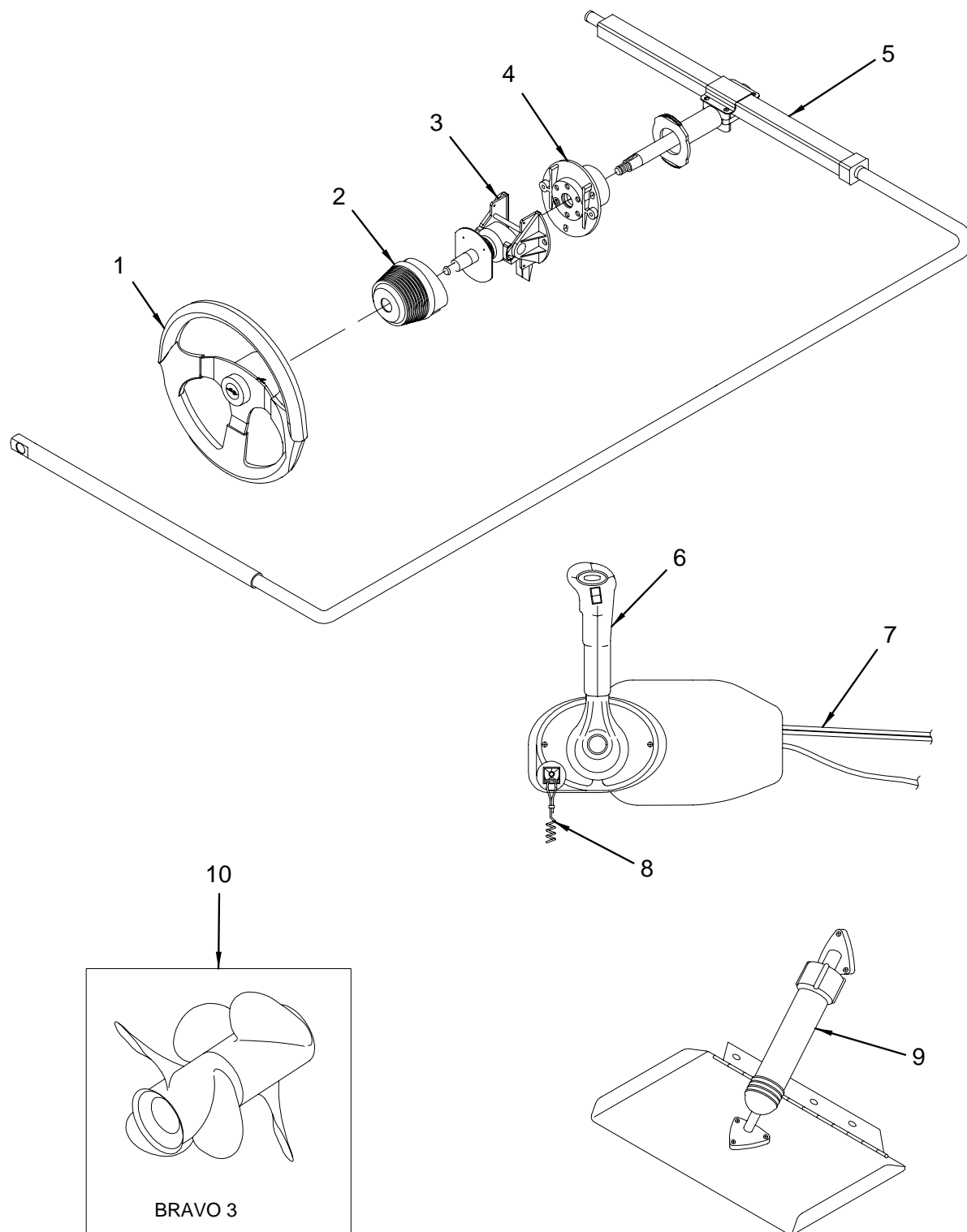
LABELS

1745513	LABEL, WARNING LEAKING FUEL
1743616	LABEL, UNPLUG SHORE POWER WARNING

NOT SHOWN

123604	CLAMP, LOOM VINYL DIP 2.5"
795583	BUSS BAR, SGL POST 5/16"
650499	BOOT, BATTERY CABLE 4/0 RED 11/16"
130849	BOOT, BATTERY CABLE RED
140509	BOOT, ENG STARTER RED
1767373	CABLE, BATT KIT 260DA-05 DSL GEN
1802080	CABLE, BATT KIT 260DA-05 DSL/GEN/PRMSTERO RV1
1774162	PANEL, 260DA-05 GEN REMOTE SW DSL

STEERING SYSTEM



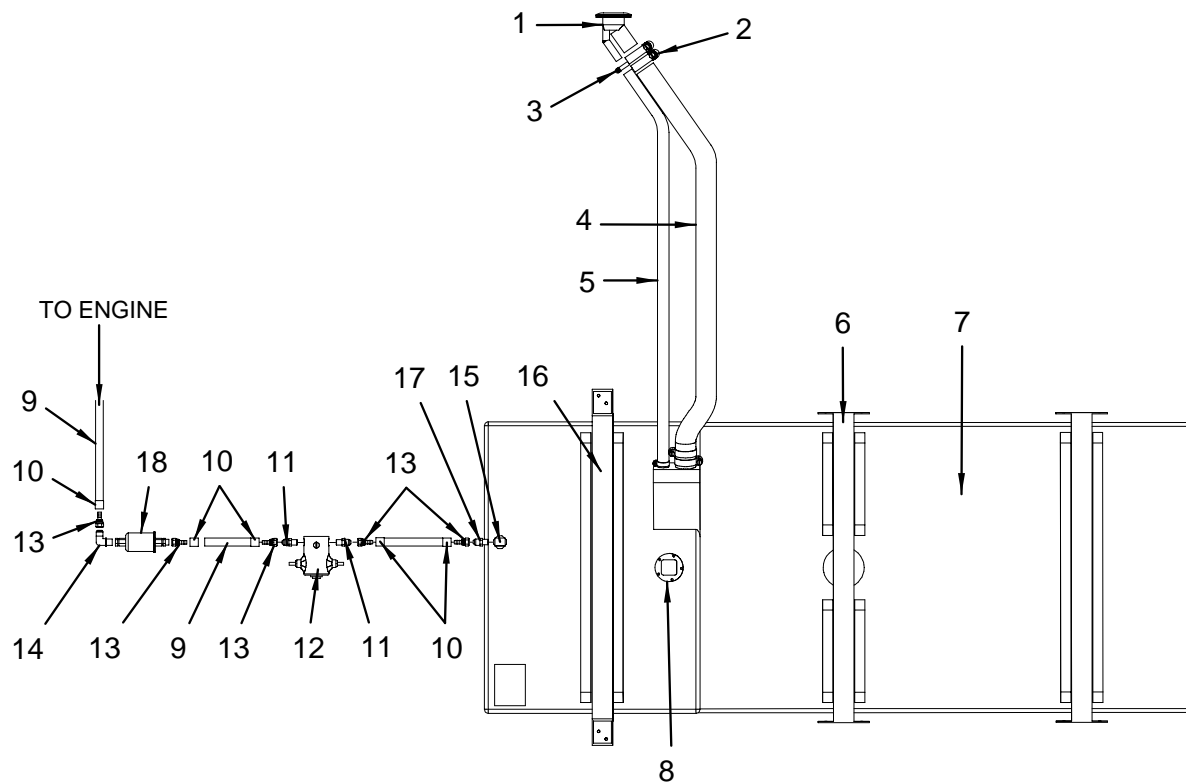
STEERING SYSTEM

- 1 1776771 STEERING WHEEL, SPCRUIS-05 BLK W/BLK CVR
- 1799611 STEERING WHEEL, SPCRUIS-05 BLK PAD W/CHR RING
(PART OF 1776771)
- 1799612 STEERING WHEEL, RING SPCRUIS-05 CHR
(PART OF 1776771)
- 1747682 EMBLEM, S/R EMB SCRIPT WHEEL CHR-BEZEL 1.75"
- 2 958439 STEERING, BELLOWS TILT STEERING BLK
(PART OF 662510)
- 3 662510 STEERING, PERFORMANCE TILT MECHANISM
- 126987 STEERING, MOUNT 90 DEG BEZEL ONLY
(PART OF 662510)
- 4 1092246 STEERING, TILT HELM BACK-MNT
- 5 1091875 STEERING, BACK MNT RACK/CABLE 18.0' ASSY
- 6 1754392 CONTROL, SIDE MNT LOCKBAR 4000 GEN II I/O
(GAS ENGINE)
- 1818687 CONTROL, VOLVO SIDE MNT ELECTRONIC
(DIESEL ENGINE)
- 7 1759686 CABLE, CNTRL MERC GEN II PLAT 15'
(HULL# 1217 -> UP)
- 1757747 CABLE, CONTROL MERC GEN II STD 16 LAY 15'BULK
(HULL# 1001 -> 1216)
- 1753101 CABLE, CONTROL MERC GEN II PLAT 16'
(HULL# 1217 -> UP)
- 1757749 CABLE, CONTROL MERC GEN II STD 16 LAY 16'BULK
(HULL# 1001 -> 1216)
- 1881781 CABLE, CONTROL MERC SAE/SAE ENG END PLAT 7'
(HULL# 1217 -> UP)
(DIESEL ENGINE)
- 1335983 CABLE, CONTROL TELEFLEX TFXTRME 7'
(HULL# 1001 -> 1216)
(DIESEL ENGINE)
- 8 778928 LANYARD, COILED STOP SWITCH
(PART OF 1754392)
(GAS ENGINE)
- 9 1767676 TRIM TAB, ASSY 12X12 SGL ACT 12V N/CNTRL
- 271452 TRIM TAB, HYD CYLINDER ONLY
(PART OF 1767676)
- 1804865 TRIM TAB, TAB ONLY W/R3-ZINC
(PART OF 1767676)
- 268508 TRIM TAB, HYD PUMP KIT W/3"NIPPLE
- 841825 SHIM, PVC TRIM TAB PUMP BLK
- 10 1575018 PROP, 14 3/8"X 20" SS BR3 RHC
(350 MAG MPI BR 3 (300 PHP) MCM STERN DR.)
(350 MAG MPI HORIZON BR 3 (300 PHP) MCM SD)
(MX 6.2L MPI BR 3 (320 PHP) MCM STERN DRIVE)
(MX 6.2L MPI HORIZON BR3 (320 PHP) STERN DR)
- 1574995 PROP, 16"X 20" SS BR3 LHC
(350 MAG MPI BR 3 (300 PHP) MCM STERN DR.)
(350 MAG MPI HORIZON BR 3 (300 PHP) MCM SD)
(MX 6.2L MPI BR 3 (320 PHP) MCM STERN DRIVE)
(MX 6.2L MPI HORIZON BR3 (320 PHP) STERN DR)
- 708180 PROP, 14.25"X 22" SS BR3 RH
(496 MAG BR 3 (375 PHP) MCM STERN DRIVE)
- 708172 PROP, 15.75"X 22" SS BR3 LH
(496 MAG BR 3 (375 PHP) MCM STERN DRIVE)
- 1793043 PROP, DUAL VOLVO BRZ (G-7)
(D6-310DPH (298 PHP) VOLVO DIESEL STERN DR.)

NOT SHOWN

- 1847962 STEERING HOSE, HOSE KIT 6M VOLVO
(DIESEL ENGINE)

FUEL SYSTEM (GAS)



FUEL SYSTEM (GAS)

- 1 1109354 DECK PLATE, GAS CHR W/VENT 45DG NCK RED CODE
- 1213867 DECK PLATE, CAP W/CHAIN GAS (FOR #1109354)
(PART OF 1109354)
- 1098615 DECK PLATE, GAS CHR W/VENT (SHIM ONLY)
- 522599 KEY, DECK PLATE CAP
- 2 256693 CLAMP, HOSE #24 1"-2" SS .505
- 3 263954 CLAMP, HOSE #10 1/2"-1 1/8" SS .505
- 4 123745 HOSE, FUEL 1.5" TYPE A CLASS 2
- 5 123778 HOSE, FUEL 5/8" TYPE A CLASS 1 ISO/CE
- 6 1761865 BRACKET, FUEL TANK 30 3/16" 260DA-05
- 1497452 TAPE, FOAM NEOPRENE W/3M 9828 3/8"TH X 2"W
- 7 1759542 TANK, FUEL 260DA-05 84GAL PLAS W/SS SENDER
- 8 1771046 SENDING UNIT, WEMA 12.5"SS W/SCRW&GSKT W/CONN
(PART OF 1759542)
- 1745004 SENDING UNIT, WEMA 12.5" SS W/SCRW & GASKET
(REPLACED BY 1771046)
- 9 1884012 HOSE, FUEL 1/2" TYPE A CLASS 1-15 ISO/CE/CARB
(HULL# 1294 -> UP)
- 123786 HOSE, FUEL 1/2" TYPE A CLASS 1 ISO/CE
(HULL# 1001 -> 1293)
- 10 1887695 FERRULE, FUEL LINE 1/2" .850"ID X .90"OD
(HULL# 1294 -> UP)
- 170621 FERRULE, FUEL LINE 1/2"ISO/CE .925"ID
(HULL# 1001 -> 1293)
- 11 169920 ADAPTER, BRASS 1/4"MPT X 1/2"SAE
- 12 1791155 VALVE, BRASS FUEL SHUT-OFF 12V SER7000 10W
- 13 1887748 FITTING, BRASS BARB/NUT 1/2" FEMALE SAE
(HULL# 1294 -> UP)
- 170605 FITTING, BRASS 1/2"BARB/NUT
(HULL# 1001 -> 1293)
- 14 169748 ELBOW, BRASS 90DEG 1/2"SAE X 3/8"MPT
- 15 1433895 TANK, FUEL HDWR 1/2" SS SCREEN
(PART OF 1759542)
- 1098250 TUBE, P/U FUEL-SPECIFY TANK (FOR#1076223)
(PART OF 1759542)
- 1769378 TUBE, PICK-UP ASSY 260DA-05 12" W/ELBOW (GAS)
(GENERATOR)
- 16 1761868 BRACKET, FUEL TANK 34.75" 260DA-05
- 1497452 TAPE, FOAM NEOPRENE W/3M 9828 3/8"TH X 2"W
- 17 169623 ADAPTER, BRASS 3/8"MPT X 1/2"SAE
- 18 1797944 FILTER, IN-LINE WATER 1/2"MPSM X 1/2"NPSF

BRACKETS

- 1766404 BRACKET, ALUM 2"X 2"X 1/4"X 7.5"W/1/4"HOLES 6

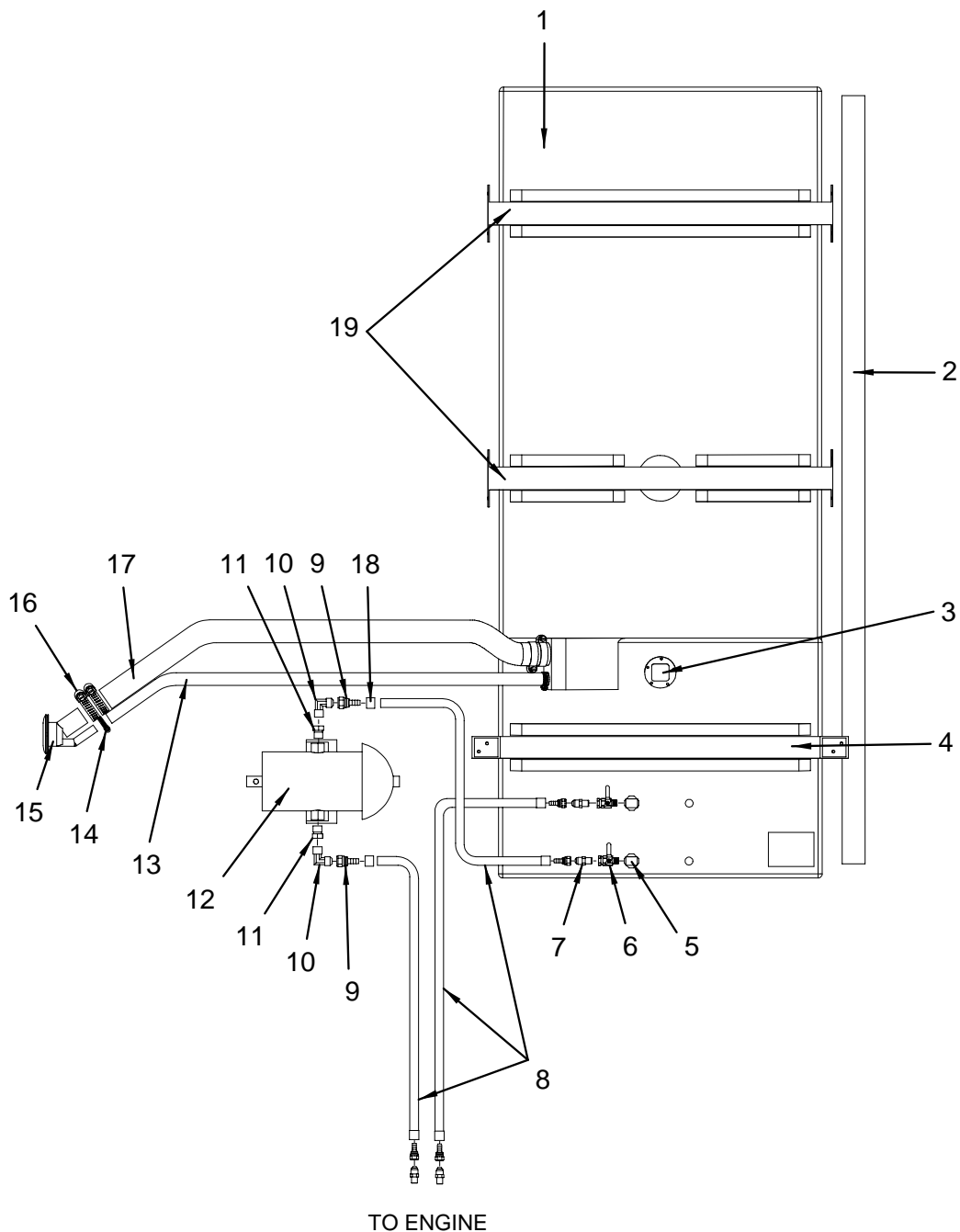
LABELS

- 1745158 LABEL, FUEL RECOMMENDATION/LP GAS WARNING
- 1745157 LABEL, FUEL RECOMMENDATION
(ALCOHOL / ELEC.STOVE- 120V/60 - 1 BURNER)
(ALCOHOL / ELEC.STOVE- 220V/50 - 1 BURNER)
- 1745513 LABEL, WARNING LEAKING FUEL

NOT SHOWN

- 123604 CLAMP, LOOM VINYL DIP 2.5"
- 123612 CLAMP, LOOM VINYL DIP 11/16"
- 261362 CLAMP, LOOM VINYL DIP #48 3"
- 723759 COVER, CLAMP END PROT .035"X.300-1/2"RED
- 468934 TAPE, VAC PAK WHT (4"X 36YDS) PRESERVATION
- 141713 ADAPTER, BRASS 3/8"MPT X 5/8"BARB
(496 MAG BR 3 (375 PHP) MCM STERN DRIVE)
(350 MAG MPI HORIZON BR 3 (300 PHP) MCM SD)
(MX 6.2L MPI HORIZON BR3 (320 PHP) STERN DR)
- 168872 NIPPLE, BRASS 1/2"MPT X CLOSE
(496 MAG BR 3 (375 PHP) MCM STERN DRIVE)
(350 MAG MPI HORIZON BR 3 (300 PHP) MCM SD)
(MX 6.2L MPI HORIZON BR3 (320 PHP) STERN DR)
- 325944 TEE, BRASS STREET 1/2"MPT X 1/2"FPT X 1/2"FPT
(496 MAG BR 3 (375 PHP) MCM STERN DRIVE)
(350 MAG MPI HORIZON BR 3 (300 PHP) MCM SD)
(MX 6.2L MPI HORIZON BR3 (320 PHP) STERN DR)

FUEL SYSTEM (DIESEL)



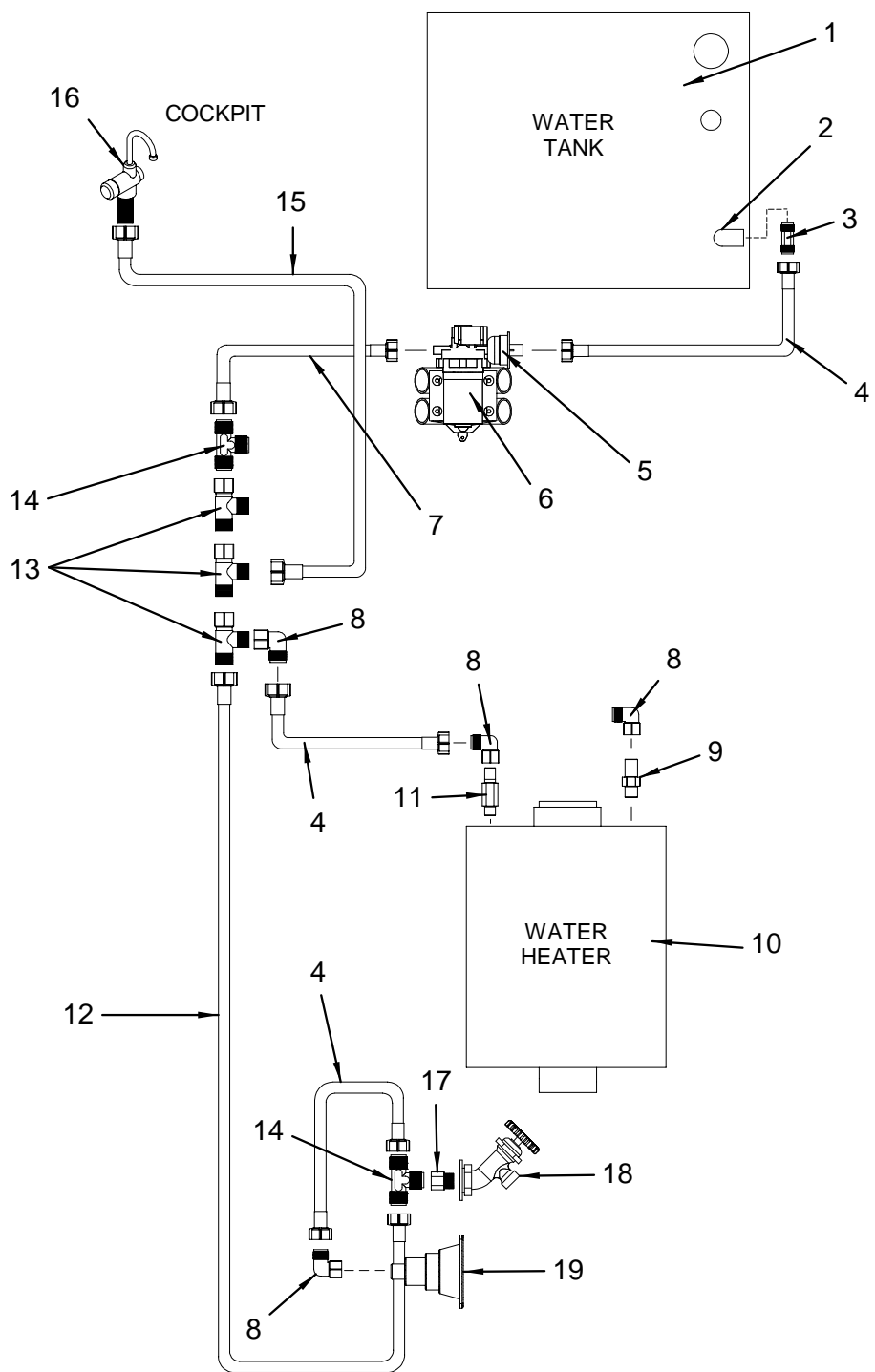
FUEL SYSTEM (DIESEL)

- 1 1799812 TANK, FUEL 260DA-06 84GAL DSL PLAS W/SS SNDR
(HULL# 1181 -> UP)
- 1764504 TANK, FUEL 260DA-05 84GAL DSL PLAS W/SS SNDR
(HULL# 1151 ONLY)
- 2 1497452 TAPE, FOAM NEOPRENE W/3M 9828 3/8"TH X 2"W
- 3 1771046 SENDING UNIT, WEMA 12.5"SS W/SCRW&GSKT W/CONN
(PART OF 1799812)
(HULL# 1181 -> UP)
- 1745004 SENDING UNIT, WEMA 12.5" SS W/SCRW & GASKET
(PART OF 1764504)
(HULL# 1151 ONLY)
- 4 1761868 BRACKET, FUEL TANK 34.75" 260DA-05
- 5 1376037 ELBOW, BRASS 90DEG 1/2"MPT X 1/2"MPT
- 1098250 TUBE, P/U FUEL-SPECIFY TANK (FOR#1076223)
(PART OF 1799812 & 1764504)
- 1433895 TANK, FUEL HDWR 1/2" SS SCREEN
(PART OF 1799812 & 1764504)
- 6 1687213 VALVE, BRASS FUEL 1/2"MPT X 1/2"FPT
- 7 288407 ADAPTER, BRASS 1/2"FPT X 3/8"MPT
- 8 1884011 HOSE, FUEL 3/8" TYPE A CLASS 1-15 ISO/CE/CARB
(HULL# 1316 -> UP)
- 123760 HOSE, FUEL 3/8" TYPE A CLASS 1 ISO/CE
(HULL# 1001 -> 1315)
- 9 1887747 FITTING, BRASS BARB/NUT 3/8" FEMALE SAE
(HULL# 1316 -> UP)
- 170589 FITTING, BRASS 3/8"BARB/NUT
(HULL# 1001 -> 1315)
- 10 140467 ELBOW, BRASS 90DEG 3/8"SAE X 1/4"MPT
- 11 791392 BUSHING, SS THD 1/4"FPT X 3/8"MPT
- 12 1524065 FILTER, REMOTE FUEL DSL (500MASR)
- 13 123778 HOSE, FUEL 5/8" TYPE A CLASS 1 ISO/CE
- 14 263954 CLAMP, HOSE #10 1/2"-1 1/8" SS .505
- 15 1771036 DECK PLATE, DSL CHR W/VNT 45DG NCK GRN W/CONN
- 16 256693 CLAMP, HOSE #24 1"-2" SS .505
- 17 123745 HOSE, FUEL 1.5" TYPE A CLASS 2
- 18 1887694 FERRULE, FUEL LINE 3/8" .718"ID X .768"OD
(HULL# 1316 -> UP)
- 1819807 FERRULE, FUEL LINE 3/8"ISO/CE .775"ID
(HULL# 1001 -> 1315)
- 19 1761865 BRACKET, FUEL TANK 30 3/16" 260DA-05

NOT SHOWN

- 169524 ADAPTER, BRASS 3/8"MPT X 3/8"SAE
- 184077 BUSHING, SS THD 3/8"FPT X 1/2"MPT

WATER SYSTEM (COCKPIT)



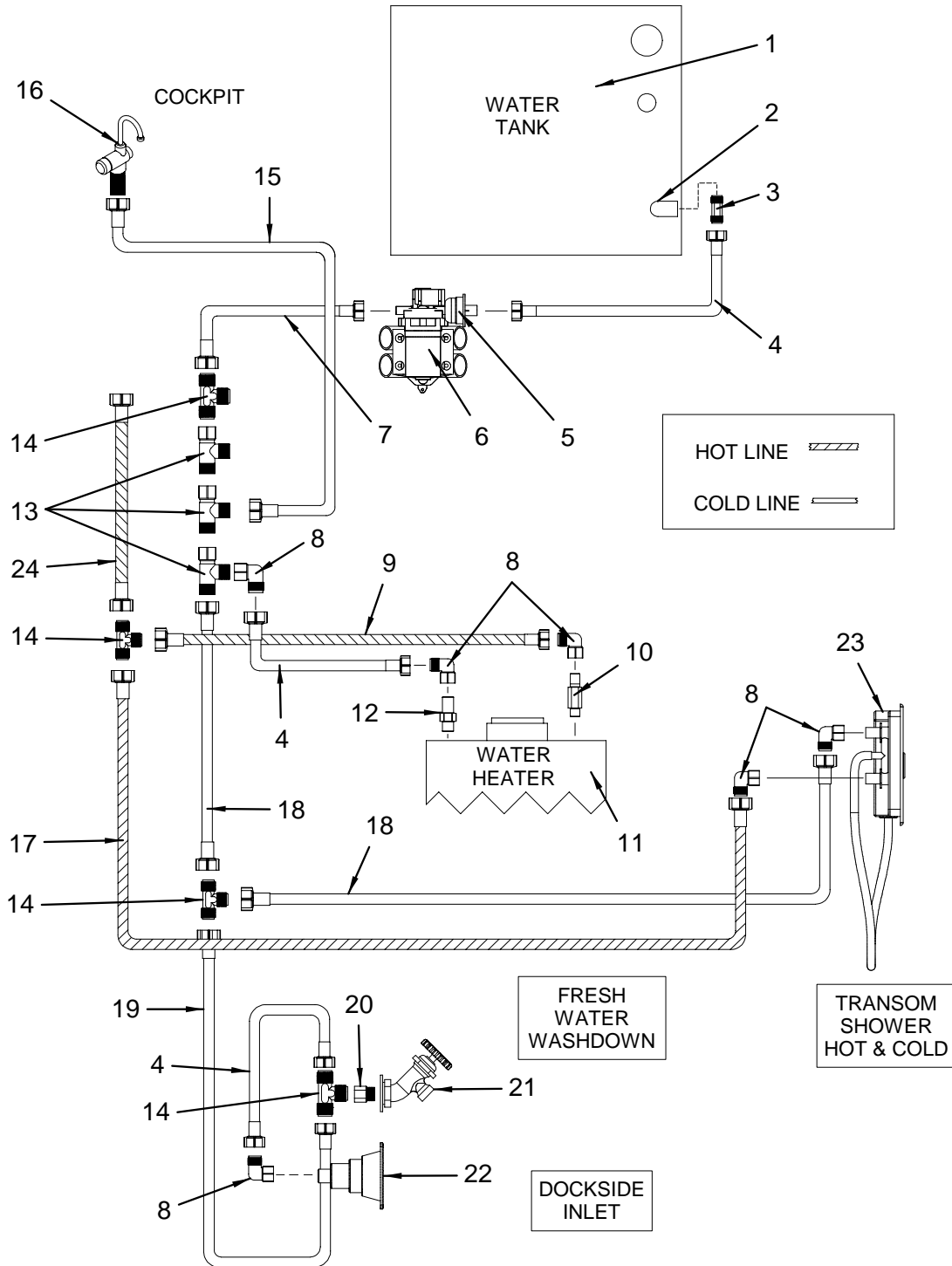
WATER SYSTEM (COCKPIT)

- 1 959809 TANK, WATER - 28GAL W/PICKUP TUBE
- 2 964387 TUBE, PICK-UP WATER 17" 1/2"DIA SCH 40 WHT
(PART OF 959809)
- 3 1689293 NIPPLE, UNIFLEX PLAS 1/2" UNION
- 4 1689301 HOSE, UNIFLEX BLUE 1/2" SW/FPT PLAS 2'
- 5 1797944 FILTER, IN-LINE WATER 1/2"MPSM X 1/2"NPSF
- 6 1771071 PUMP, FRESH WTR SHURFLO 2.8GPM SFT MNT W/CONN
- 7 1689300 HOSE, UNIFLEX BLUE 1/2" SW/FPT PLAS 1'
- 8 1689320 ELBOW, UNIFLEX PLAS 1/2"MPT X 1/2"FPT SWVL
- 9 168898 NIPPLE, BRASS 1/2"MPT X 3.5"
- 10 1142496 HEATER, WATER 6 GAL 110/60 W/75-210T&P
1146877 VALVE, TEMPERING 75PSI/210DEG
(PART OF 1142496 & 1156728)
- 1790450 ELEMENT, HEATER WTR 110/60 W/75-210
(PART OF 1142496)
- 1054766 VALVE, BRASS WATER HEATER TEMPERING 120-160DG
(496 MAG BR 3 (375 PHP) MCM STERN DRIVE)
350 MAG MPI HORIZON BR 3 (300 PHP) MCM SD)
(MX 6.2L MPI HORIZON BR3 (320 PHP) STERN DR)
(D6-310DPH (298 PHP) VOLVO DIESEL STERN DR.)
- 1156728 HEATER, WATER 6 GAL 220/50 W/75-210T&P
(220 VOLT / 50 CYCLE ELECTRICAL SYSTEM)
- 1754598 HEATER, WATER ELEMENT FOR 6 GAL 220V
(PART OF 1156728)
- 11 1791673 VALVE, ZURN 1/2" MPT X 1/2" MPT CHECKVALVE
- 12 1719101 HOSE, UNIFLEX BLUE 1/2" SW/FPT PLAS 10'
- 13 1689322 TEE, UNIFLEX PLAS 1/2"SW/FM 1/2"MPT/MPT STACK
- 14 1689292 TEE, UNIFLEX PLAS 1/2" MPT
- 15 1689304 HOSE, UNIFLEX BLUE 1/2" SW/FPT PLAS 8'
- 16 1775010 FAUCET, FOLD DOWN SGL TAP CHR
- 17 1590009 ADAPTER, SEAFLEX BRS 1/2"FPT X 1/2"MPT EXTND
- 18 1096262 FAUCET, SILLCOCK WASHDOWN (WHITECAP)
- 19 141168 INLET, WATER W/PRESS REGULATOR WHT

LABELS

- 1743534 LABEL, FRESH WATER (LEXAN)

WATER SYSTEM (COCKPIT) WITH TRANSOM SHOWER



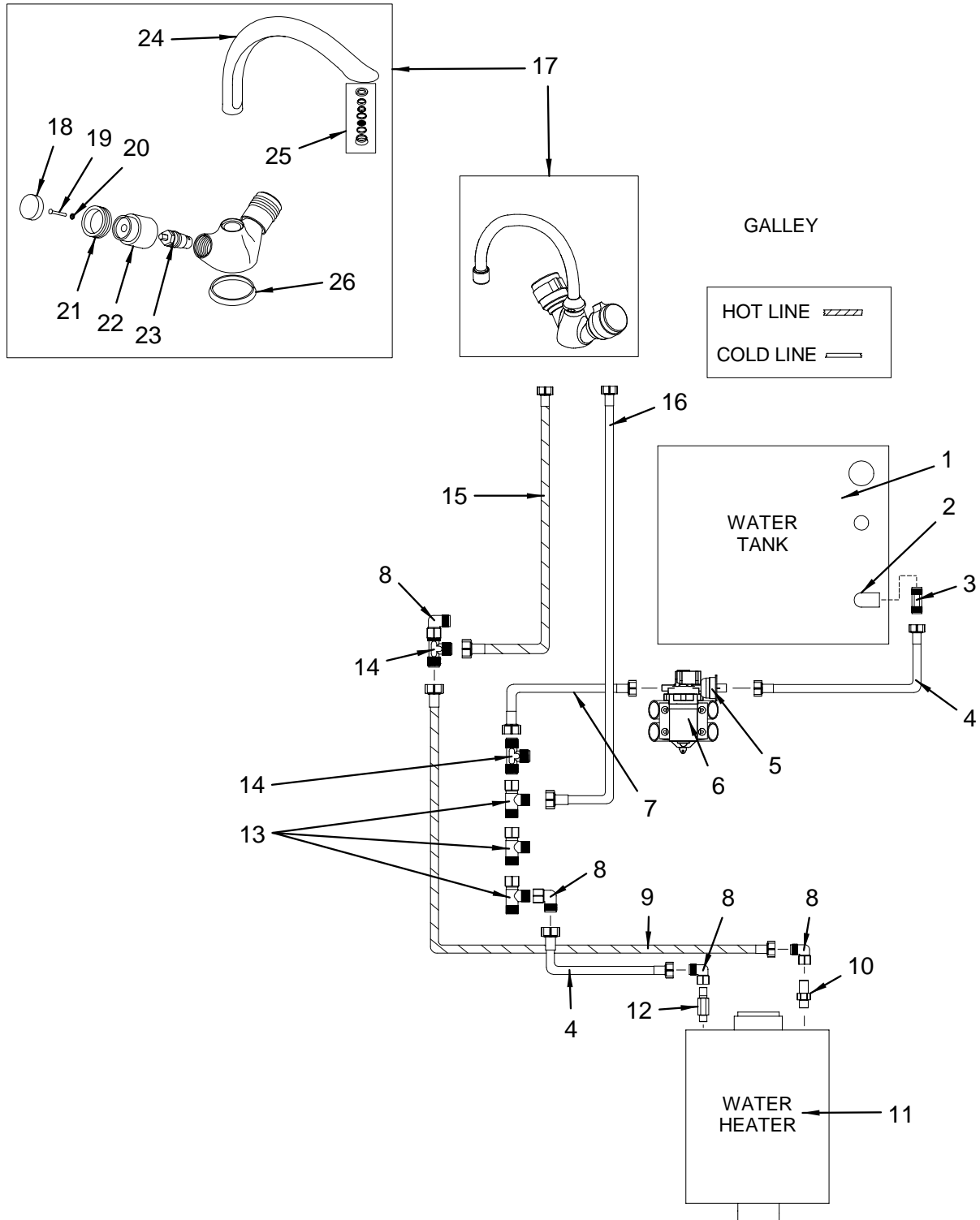
**WATER SYSTEM (COCKPIT) WITH TRANSOM
SHOWER**

- 1 959809 TANK, WATER - 28GAL W/PICKUP TUBE
- 2 964387 TUBE, PICK-UP WATER 17" 1/2"DIA SCH 40 WHT
(PART OF 959809)
- 3 1689293 NIPPLE, UNIFLEX PLAS 1/2" UNION
- 4 1689301 HOSE, UNIFLEX BLUE 1/2" SW/FPT PLAS 2'
- 5 1797944 FILTER, IN-LINE WATER 1/2"MPSM X 1/2"NPSF
- 6 1771071 PUMP, FRESH WTR SHURFLO 2.8GPM SFT MNT W/CONN
- 7 1689300 HOSE, UNIFLEX BLUE 1/2" SW/FPT PLAS 1'
- 8 1689320 ELBOW, UNIFLEX PLAS 1/2"MPT X 1/2"FPT SWVL
- 9 1774947 HOSE, UNIFLEX RED 1/2" SW/FPT PLAS 3'
- 10 168898 NIPPLE, BRASS 1/2"MPT X 3.5"
- 11 1142496 HEATER, WATER 6 GAL 110/60 W/75-210T&P
- 1146877 VALVE, TEMPERING 75PSI/210DEG
(PART OF 1142496 & 1156728)
- 1790450 ELEMENT, HEATER WTR 110/60 W/75-210
(PART OF 1142496)
- 1054766 VALVE, BRASS WATER HEATER TEMPERING 120-160DG
(496 MAG BR 3 (375 PHP) MCM STERN DRIVE)
(350 MAG MPI HORIZON BR 3 (300 PHP) MCM SD)
(MX 6.2L MPI HORIZON BR3 (320 PHP) STERN DR)
(D6-310DPH (298 PHP) VOLVO DIESEL STERN DR.)
- 1156728 HEATER, WATER 6 GAL 220/50 W/75-210T&P
(220 VOLT / 50 CYCLE ELECTRICAL SYSTEM)
- 1754598 HEATER, WATER ELEMENT FOR 6 GAL 220V
(PART OF 1156728)
- 12 1791673 VALVE, ZURN 1/2" MPT X 1/2" MPT CHECKVALVE
- 13 1689322 TEE, UNIFLEX PLAS 1/2"SW/FM 1/2"MPT/MPT STACK
- 14 1689292 TEE, UNIFLEX PLAS 1/2" MPT
- 15 1689304 HOSE, UNIFLEX BLUE 1/2" SW/FPT PLAS 8'
- 16 1775010 FAUCET, FOLD DOWN SGL TAP CHR
- 17 1689403 HOSE, UNIFLEX RED 1/2" SW/FPT PLAS 6'
(SHOWER - TRANSOM - HOT & COLD)
- 18 1689329 HOSE, UNIFLEX BLUE 1/2" SW/FPT PLAS 4'
(SHOWER - TRANSOM - HOT & COLD)
- 19 1689303 HOSE, UNIFLEX BLUE 1/2" SW/FPT PLAS 6'
(SHOWER - TRANSOM - HOT & COLD)
- 20 1590009 ADAPTER, SEAFLEX BRS 1/2"FPT X 1/2"MPT EXTND
- 21 1096262 FAUCET, SILLCOCK WASHDOWN (WHITECAP)
- 22 141168 INLET, WATER W/PRESS REGULATOR WHT
- 23 736702 FAUCET, WASHDOWN BOX W/MIXER (AQUATIK) VERT
(SHOWER - TRANSOM - HOT & COLD)
- 1298710 FAUCET, CARTRIDGE CERAMIC 90DEG LH
(PART OF 736702)
- 1302504 FAUCET, CARTRIDGE CERAMIC 90DEG RH
(PART OF 736702)
- 1302579 FAUCET, WASHDOWN SHOWER UNIT ONLY (AQUATIK)
(PART OF 736702)
- 1302587 FAUCET, WASHDOWN DOOR ONLY (AQUATIK)
(PART OF 736702)
- 1302595 FAUCET, WASHDOWN HOSE W/FPT ONLY(AQUATIK)
(PART OF 736702)
- 1302603 FAUCET, WASHDOWN SPRAYER HEAD ONLY(AQUATIK)
(PART OF 736702)
- 1742646 LATCH, WASHDOWN DOOR (AQUATIK)
(PART OF 736702)
- 24 1689315 HOSE, UNIFLEX RED 1/2" SW/FPT PLAS 12'

LABELS

- 1743534 LABEL, FRESH WATER (LEXAN)

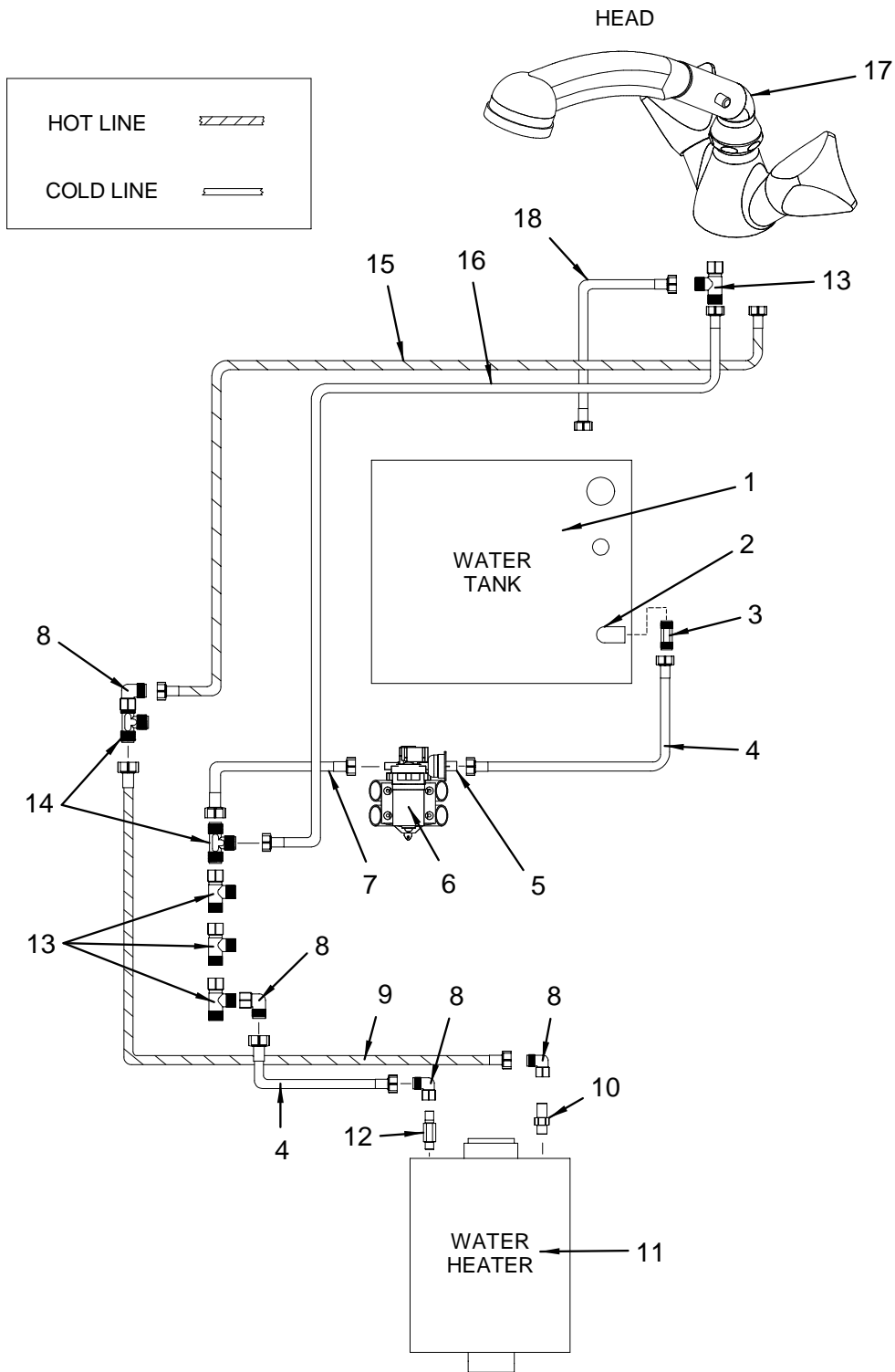
WATER SYSTEM (GALLEY)



WATER SYSTEM (GALLEY)

- 1 959809 TANK, WATER - 28GAL W/PICKUP TUBE
- 2 964387 TUBE, PICK-UP WATER 17" 1/2"DIA SCH 40 WHT
(PART OF 959809)
- 3 1689293 NIPPLE, UNIFLEX PLAS 1/2" UNION
- 4 1689301 HOSE, UNIFLEX BLUE 1/2" SW/FPT PLAS 2'
- 5 1797944 FILTER, IN-LINE WATER 1/2"MPSM X 1/2"NPSF
- 6 1771071 PUMP, FRESH WTR SHURFLO 2.8GPM SFT MNT W/CONN
- 7 1689300 HOSE, UNIFLEX BLUE 1/2" SW/FPT PLAS 1'
- 8 1689320 ELBOW, UNIFLEX PLAS 1/2"MPT X 1/2"FPT SWVL
- 9 1774947 HOSE, UNIFLEX RED 1/2" SW/FPT PLAS 3'
- 10 168898 NIPPLE, BRASS 1/2"MPT X 3.5"
- 11 1142496 HEATER, WATER 6 GAL 110/60 W/75-210T&P
1146877 VALVE, TEMPERING 75PSI/210DEG
(PART OF 1142496 & 1156728)
1790450 ELEMENT, HEATER WTR 110/60 W/75-210
(PART OF 1142496)
1054766 VALVE, BRASS WATER HEATER TEMPERING 120-160DG
(496 MAG BR 3 (375 PHP) MCM STERN DRIVE)
(350 MAG MPI HORIZON BR 3 (300 PHP) MCM SD)
(MX 6.2L MPI HORIZON BR3 (320 PHP) STERN DR)
(D6-310DPH (298 PHP) VOLVO DIESEL STERN DR.)
- 1156728 HEATER, WATER 6 GAL 220/50 W/75-210T&P
(220 VOLT / 50 CYCLE ELECTRICAL SYSTEM)
- 1754598 HEATER, WATER ELEMENT FOR 6 GAL 220V
(PART OF 1156728)
- 12 1791673 VALVE, ZURN 1/2" MPT X 1/2" MPT CHECKVALVE
- 13 1689292 TEE, UNIFLEX PLAS 1/2" MPT
- 14 1689322 TEE, UNIFLEX PLAS 1/2"SW/FM 1/2"MPT/MPT STACK
- 15 1689315 HOSE, UNIFLEX RED 1/2" SW/FPT PLAS 12'
- 16 1689306 HOSE, UNIFLEX BLUE 1/2" SW/FPT PLAS 12'
- 17 1772522 FAUCET, GLY 7"RISE BRUSHED NCKL/CHR
- 18 1807537 FAUCET, GLY 7"RISE HANDLE CAP BRSHD NCKL/CHR
(PART OF 1772522)
- 19 1807538 FAUCET, GLY 7"RISE HNDL SCREW BRSHD NCKL/CHR
(PART OF 1772522)
- 20 1807539 FAUCET, GLY 7"RISE HNDL WASHER BRSHD NCKL/CHR
(PART OF 1772522)
- 21 1807540 FAUCET, GLY 7"RISE HNDL RING BRSHD NCKL/CHR
(PART OF 1772522)
- 22 1807541 FAUCET, GLY 7"RISE HANDLE BRSHD NCKL/CHR
(PART OF 1772522)
- 23 1807542 FAUCET, GLY 7"RISE VALVE BRSHD NCKL/CHR
(PART OF 1772522)
- 24 1807543 FAUCET, GLY 7"RISE SPOUT BRSHD NCKL/CHR
(PART OF 1772522)
- 25 1807544 FAUCET, GLY 7"RISE AERATOR BRSHD NCKL/CHR
(PART OF 1772522)
- 26 1807545 FAUCET, GLY 7"RISE MOUNTING BRSHD NCKL/CHR
(PART OF 1772522)

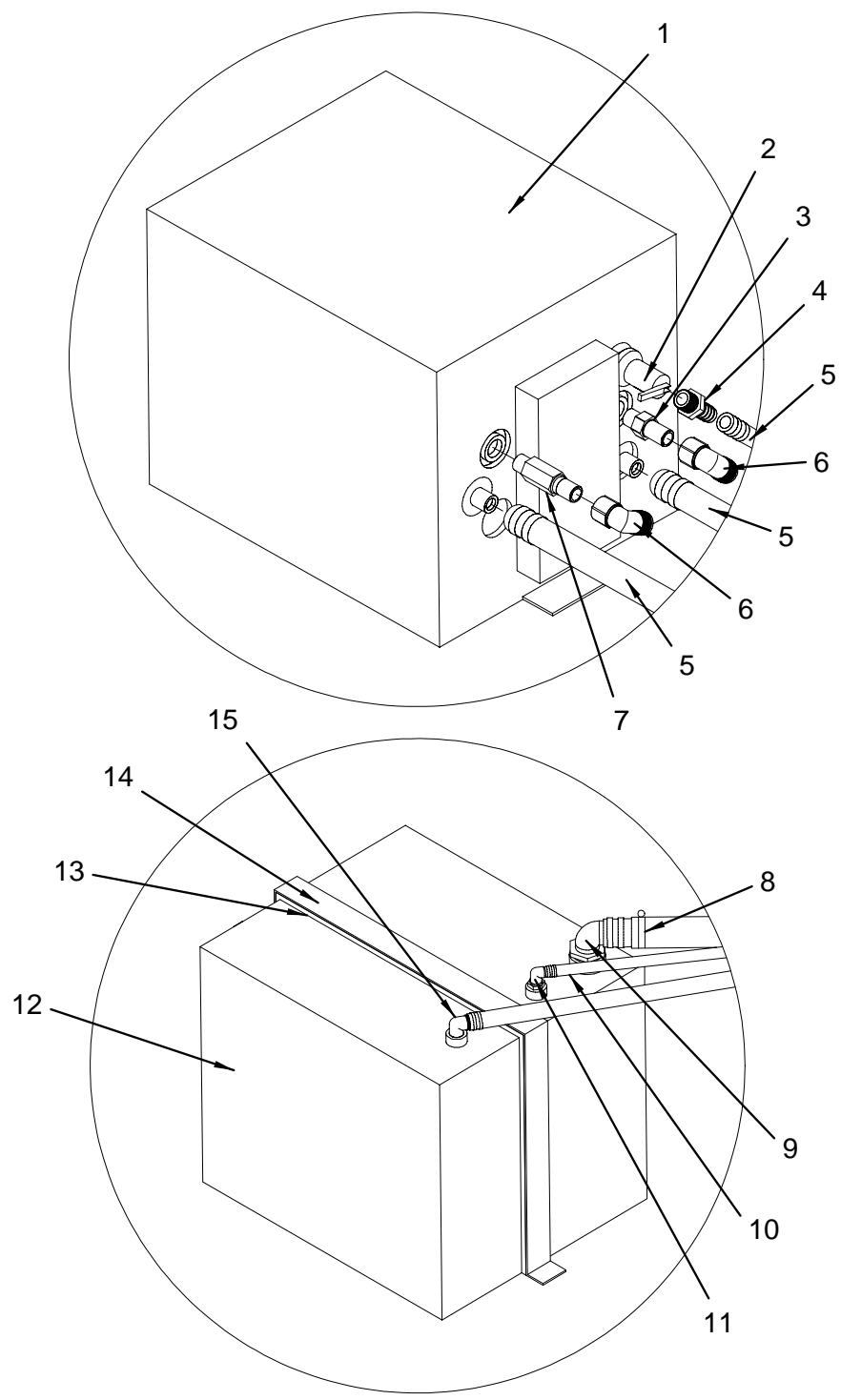
WATER SYSTEM (STARBOARD HEAD)



WATER SYSTEM (STARBOARD HEAD)

- 1 959809 TANK, WATER - 28GAL W/PICKUP TUBE
- 2 964387 TUBE, PICK-UP WATER 17" 1/2"DIA SCH 40 WHT
(PART OF 959809)
- 3 1689293 NIPPLE, UNIFLEX PLAS 1/2" UNION
- 4 1689301 HOSE, UNIFLEX BLUE 1/2" SW/FPT PLAS 2'
- 5 1797944 FILTER, IN-LINE WATER 1/2"MPSM X 1/2"NPSF
- 6 1771071 PUMP, FRESH WTR SHURFLO 2.8GPM SFT MNT W/CONN
- 7 1689300 HOSE, UNIFLEX BLUE 1/2" SW/FPT PLAS 1'
- 8 1689320 ELBOW, UNIFLEX PLAS 1/2"MPT X 1/2"FPT SWVL
- 9 1774947 HOSE, UNIFLEX RED 1/2" SW/FPT PLAS 3'
- 10 168898 NIPPLE, BRASS 1/2"MPT X 3.5"
- 11 1142496 HEATER, WATER 6 GAL 110/60 W/75-210T&P
1146877 VALVE, TEMPERING 75PSI/210DEG
(PART OF 1142496 & 1156728)
1790450 ELEMENT, HEATER WTR 110/60 W/75-210
(PART OF 1142496)
1054766 VALVE, BRASS WATER HEATER TEMPERING 120-160DG
(496 MAG BR 3 (375 PHP) MCM STERN DRIVE)
(350 MAG MPI HORIZON BR 3 (300 PHP) MCM SD)
(MX 6.2L MPI HORIZON BR3 (320 PHP) STERN DR)
(D6-310DPH (298 PHP) VOLVO DIESEL STERN DR.)
- 1156728 HEATER, WATER 6 GAL 220/50 W/75-210T&P
(220 VOLT / 50 CYCLE ELECTRICAL SYSTEM)
- 1754598 HEATER, WATER ELEMENT FOR 6 GAL 220V
(PART OF 1156728)
- 12 1791673 VALVE, ZURN 1/2" MPT X 1/2" MPT CHECKVALVE
- 13 1689322 TEE, UNIFLEX PLAS 1/2"SW/FM 1/2"MPT/MPT STACK
- 14 1689292 TEE, UNIFLEX PLAS 1/2" MPT
- 15 1689413 HOSE, UNIFLEX RED 1/2" SW/FPT PLAS 20'
- 16 1689336 HOSE, UNIFLEX BLUE 1/2" SW/FPT PLAS 20'
- 17 1772520 FAUCET/SHOWER, BRUSHED NCKL/CHR PULLOUT
1853913 FAUCET/SHOWER, SPRAYER ONLY BRSHD NCKL/CHR
(PART OF 1772520)
1853914 FAUCET/SHOWER, HOSE WASHER ONLY
(PART OF 1772520)
1853915 FAUCET/SHOWER, HANGER ONLY
(PART OF 1772520)
1853916 FAUCET/SHOWER, BRASS HOT/COLD VALVE ONLY
(PART OF 1772520)
1853917 FAUCET/SHOWER, HDWR KIT W/WTS
(PART OF 1772520)
- 18 1847463 HOSE, ZURN FLEX 1/2"X 48" W/1/2" FPT W/NUTS
(HULL# 1309 -> UP)
- 1689329 HOSE, UNIFLEX BLUE 1/2" SW/FPT PLAS 4'
(HULL# 1001 -> 1308)

WATER SYSTEM (BILGE)

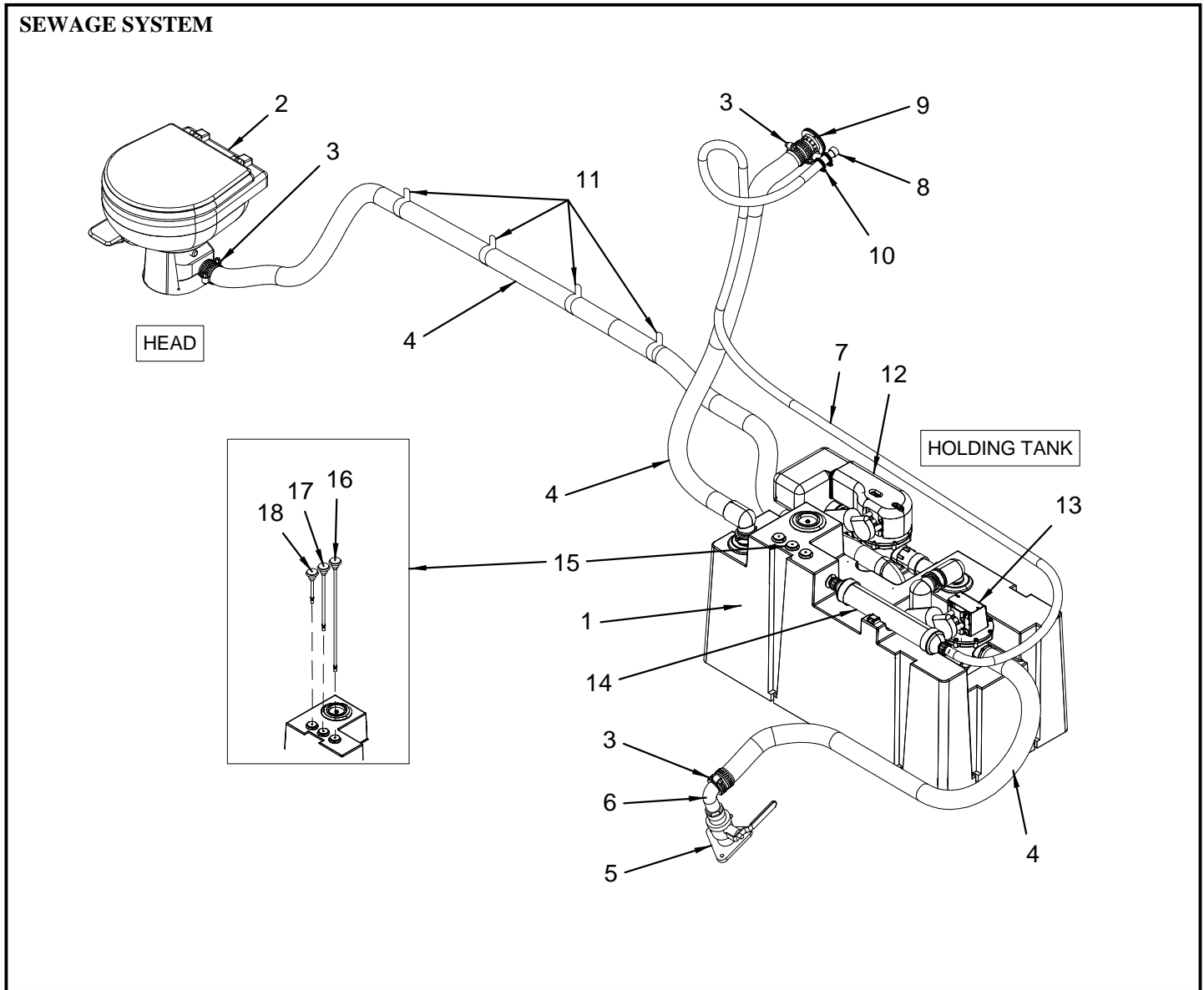


WATER SYSTEM (BILGE)

- 1 1142496 HEATER, WATER 6 GAL 110/60 W/75-210T&P
- 1790450 ELEMENT, HEATER WTR 110/60 W/75-210
(PART OF 1142496)
- 1156728 HEATER, WATER 6 GAL 220/50 W/75-210T&P
(220 VOLT / 50 CYCLE ELECTRICAL SYSTEM)
- 1754598 HEATER, WATER ELEMENT FOR 6 GAL 220V
(PART OF 1156728)
- 2 1146877 VALVE, TEMPERING 75PSI/210DEG
(PART OF 1142496 & 1156728)
- 1054766 VALVE, BRASS WATER HEATER TEMPERING 120-160DG
(496 MAG BR 3 (375 PHP) MCM STERN DRIVE)
(350 MAG MPI HORIZON BR 3 (300 PHP) MCM SD)
(MX 6.2L MPI HORIZON BR3 (320 PHP) STERN DR)
(D6-310DPH (298 PHP) VOLVO DIESEL STERN DR.)
- 3 1791673 VALVE, ZURN 1/2" MPT X 1/2" MPT CHECKVALVE
- 4 144675 ADAPTER, BRASS 1/2"MPT X 5/8"BARB
- 5 124594 HOSE, WATER 5/8" HVY DTY (HEATER)
- 263954 CLAMP, HOSE #10 1/2"-1 1/8" SS .505
- 6 1689320 ELBOW, UNIFLEX PLAS 1/2"MPT X 1/2"FPT SWVL
- 7 168898 NIPPLE, BRASS 1/2"MPT X 3.5"
- 8 256693 CLAMP, HOSE #24 1"-2" SS .505
- 9 130344 ELBOW, PVC 1.5"MPT X 1.5"BARB X 90DEG
- 123844 HOSE, SANI/SMOOTH WALL 1.5"
- 10 1058957 HOSE, WATER A/C WHT 5/8"
- 263954 CLAMP, HOSE #10 1/2"-1 1/8" SS .505
- 11 411132 ELBOW, PVC 1/2"MPT X 1/2"BARB X 90DEG
- 12 959809 TANK, WATER - 28GAL W/PICKUP TUBE
- 13 1497452 TAPE, FOAM NEOPRENE W/3M 9828 3/8"TH X 2"W
- 14 1690502 STRAP, WATER TANK 280DA-02
- 15 964387 TUBE, PICK-UP WATER 17" 1/2"DIA SCH 40 WHT
(PART OF 959809)

NOT SHOWN

- 1109362 DECK PLATE, WATER CHR W/VNT 45DG NCK BLUE
- 1405844 DECK PLATE, CAP W/CHAIN WATER
(PART OF 1109362)
- 1068592 KEY, DECK PLATE CAP
- 1689302 HOSE, UNIFLEX BLUE 1/2" SW/FPT PLAS 3'
(496 MAG BR 3 (375 PHP) MCM STERN DRIVE)
(350 MAG MPI HORIZON BR 3 (300 PHP) MCM SD)
(MX 6.2L MPI HORIZON BR3 (320 PHP) STERN DR)
- 1744830 ADAPTER, STRT RED BRSS 3/4"MPT X 5/8"BARB



SEWAGE SYSTEM

- 1 1761960 TANK, HOLDING 28 GAL HTS W/VAC GEN W/CONN
- 1760159 TANK, HOLDING 28 GAL HTS W/VAC GEN/12V T-PMP
(MACERATOR W/ SEACOCK INTERLOCK SYSTEM)
- 2 1745171 HEAD, VACU-FLUSH BONE 147 (ECOVAC) LO-PRO SID
- 1784547 SEAT ASSY, CVR/SEAT/HNG PIN BONE
(PART OF 1745171)
- 3 256693 CLAMP, HOSE #24 1"-2" SS .505
- 4 846899 HOSE, SANI 1.5" PREMIUM RBR BLK
- 5 518456 SEACOCK, BRZ 1.5" W/O TAILPIECE
(MACERATOR W/ SEACOCK INTERLOCK SYSTEM)
(VACUUM FLUSH HEAD W/ DIRECT OVER BOARD INTL)
- 579870 THRU-HULL, BRZ 1.5" W/O NUT
(MACERATOR W/ SEACOCK INTERLOCK SYSTEM)
(VACUUM FLUSH HEAD W/ DIRECT OVER BOARD INTL)
- 1302116 SWITCH, SEACOCK INTERLOCK W/60" LEADS/CONN
(MACERATOR W/ SEACOCK INTERLOCK SYSTEM)
(VACUUM FLUSH HEAD W/ DIRECT OVER BOARD INTL)
- 6 531566 ELBOW, BRZ 90DEG 1.5"MPT X 1.5"BARB
(MACERATOR W/ SEACOCK INTERLOCK SYSTEM)
(VACUUM FLUSH HEAD W/ DIRECT OVER BOARD INTL)
- 7 124719 HOSE, SANI/CHEMICAL TDX 5/8"
- 8 1433176 VENT, FUEL/WATER SS 5/8" 90DEG FLSH MNT
- 9 1355585 DECK PLATE, WASTE CHR STRAIGHT NCK BLK CODE
- 1068592 KEY, DECK PLATE CAP
(PART OF 1355585)
- 1474790 DECK PLATE, CAP W/GASKET
(PART OF 1355585)

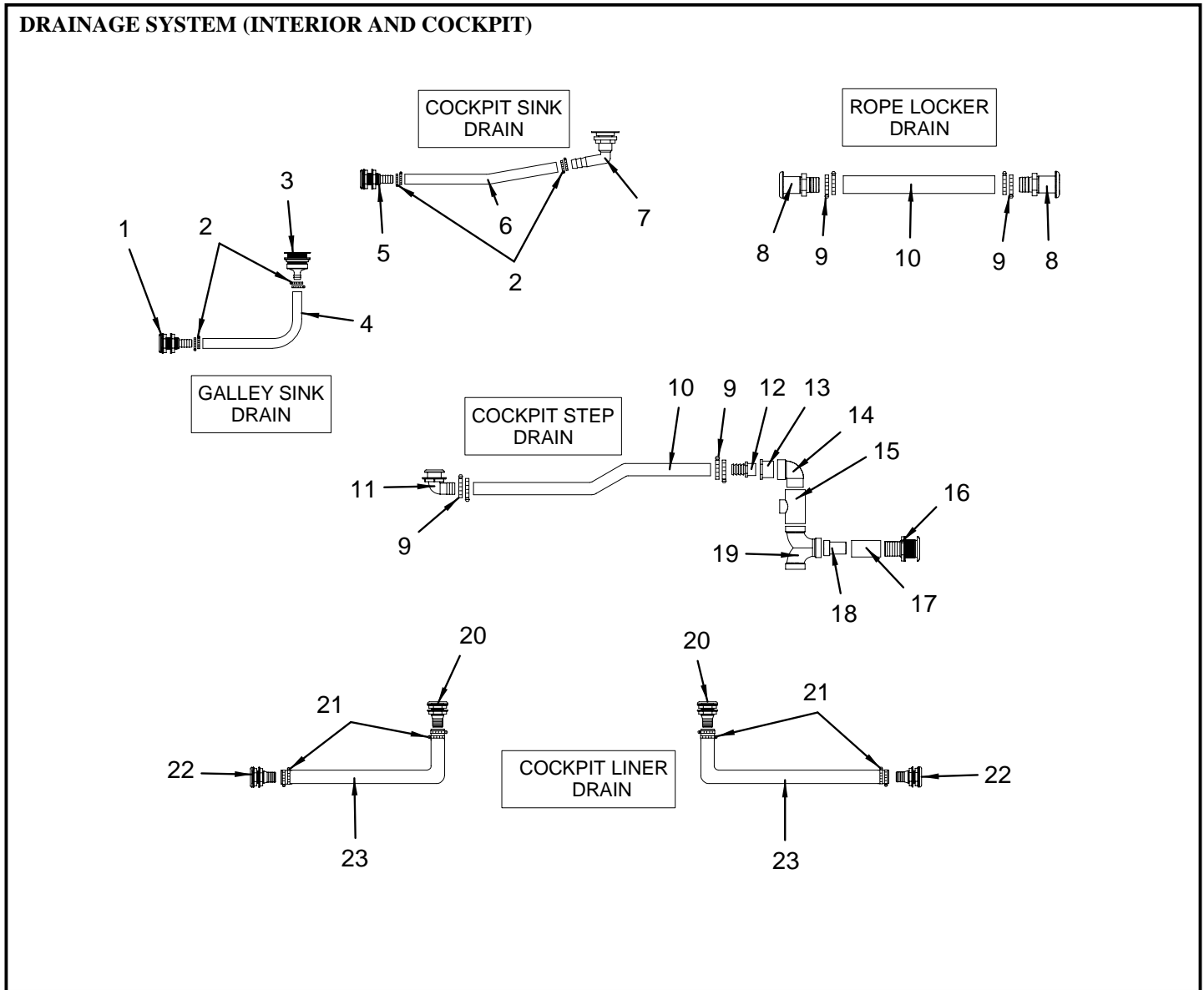
- 10 263954 CLAMP, HOSE #10 1/2"-1 1/8" SS .505
- 11 123604 CLAMP, LOOM VINYL DIP 2.5"
- 12 1788792 VACUUM GEN, 12VDC DOMETIC
(PART OF 1761960 & 1760159)
- 1798858 VACUUM GEN, DIRECTOVRBD W/SEACKSW/SHTDWN RELY
(VACUUM FLUSH HEAD W/ DIRECT OVER BOARD INTL)
- 13 1788793 PUMP, HEAD SYS MACERATOR 12VDC DOMETIC
(PART OF 1760159)
- 14 1788791 FILTER, HEAD TREATMENT SYSTEM DOMETIC
(PART OF 1761960 & 1760159)
- 15 1835677 SENDING UNIT, HOLD TANK 28 GAL HTS W/VAC GEN
(PART OF 1761960 & 1760159)
- 16 1852581 SENDING UNIT, HOLD TANK EMPTY LEVEL INDICATOR
(PART OF 1835677)
- 17 1852580 SENDING UNIT, HOLD TANK MID LEVEL INDICATOR
(PART OF 1835677)
- 18 1852579 SENDING UNIT, HOLD TANK FULL LEVEL INDICATOR
(PART OF 1835677)

LABELS

- 1745156 LABEL, NOTICE OVERBOARD DISCHARGE (LEXAN)
(MACERATOR W/ SEACOCK INTERLOCK SYSTEM)
(VACUUM FLUSH HEAD W/ DIRECT OVER BOARD INTL)

NOT SHOWN

723742 COVER, CLAMP END PROT .045"X.465-1/2"RED



DRAINAGE SYSTEM (INTERIOR AND COCKPIT)

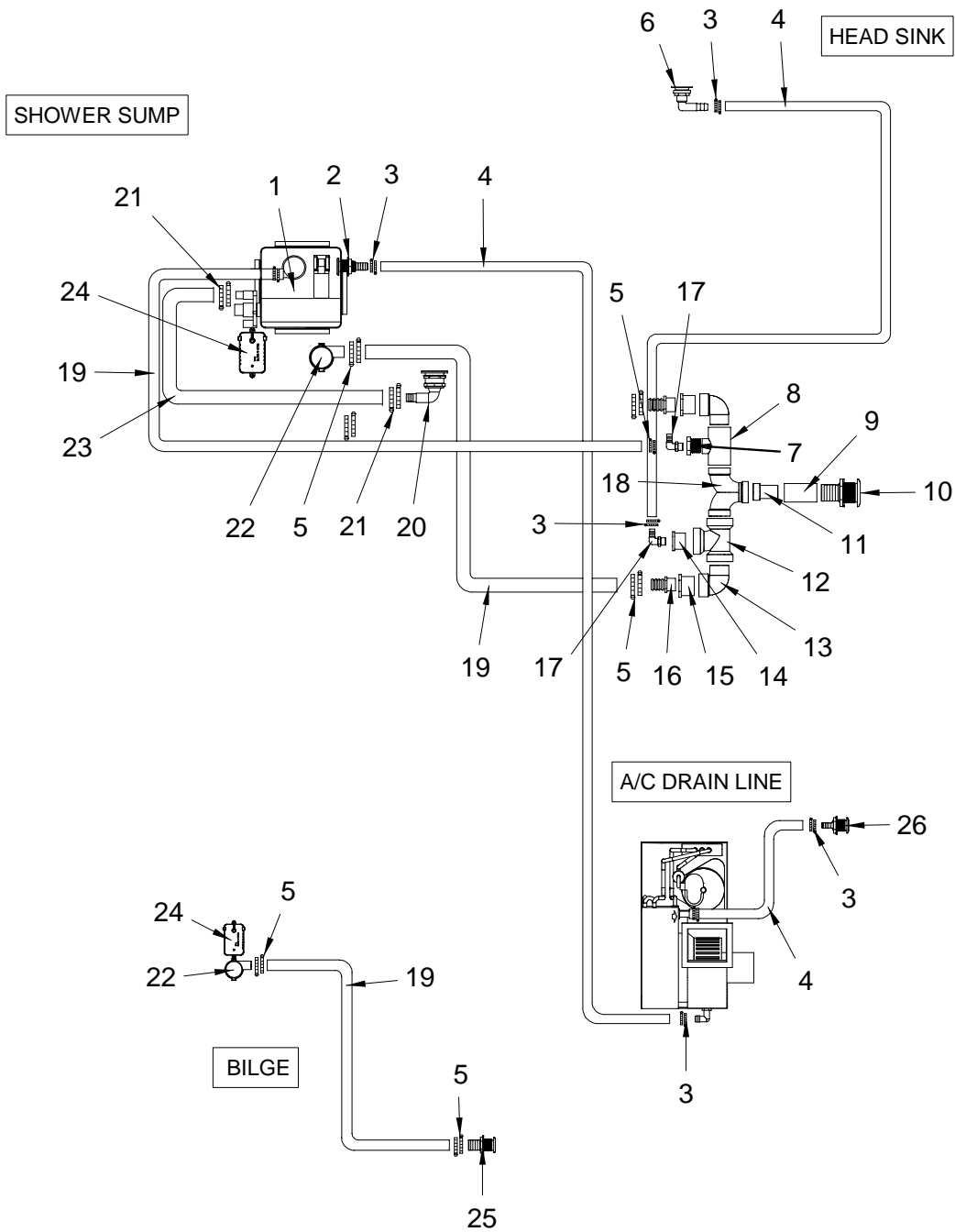
- 1 1778933 THRU-HULL, SS 5/8" BARB SHORT W/RBR GASKET
- 2 263954 CLAMP, HOSE #10 1/2"-1 1/8" SS .505
- 3 175687 DRAIN, SINK STRAINER 2.5" SS W/5/8" BARB (STRAINER W/ PLUG)
- 1839033 DRAIN, SINK STRAINER BASKET ONLY (PART OF 175687)
- 4 1058957 HOSE, WATER A/C WHT 5/8"
- 5 1778931 THRU-HULL, SS 1 1/8" BARB SHORT W/RBR GASKET
- 6 1058957 HOSE, WATER A/C WHT 5/8"
- 7 785774 DRAIN, W/PLUG 100DEG 5/8" BARB BLK W/WHT HEAD PLUG, DRAIN STOPPER (PART OF 785774)
- 8 1778931 THRU-HULL, SS 1 1/8" BARB SHORT W/RBR GASKET
- 9 256685 CLAMP, HOSE #16 3/4"-1.5" SS .505
- 10 123901 HOSE, CORR BILGE 1 1/8" BLK
- 11 1043371 THRU-HULL, PLAS 1 1/8" TUBE X 90DEG WHT
- 12 1742987 ADAPTER, PVC 1"MPT X 1 1/8" BARB
- 13 698183 BUSHING, PVC 1.5"M SLIP X 1"FPT
- 14 268797 ELBOW, PVC 1.5"F SLIP X 1.5"M SLIP X 90DEG
- 15 686725 TEE, PVC 1.5"FM SLIP X 1.5"FM SLIP X 1"FPT
- 16 1778928 THRU-HULL, SS 1.5" BARB SHORT W/RBR GASKET
- 17 846899 HOSE, SANI 1.5" PREMIUM RBR BLK
- 18 184101 ADAPTER, PVC 1.5"OD X 1.5"ID SLIP
- 19 932780 TEE, PVC 1.5"FM SLIP DBL SWEEP
- 20 124537 THRU-HULL, PLAS 1.5" WHT
- 21 256693 CLAMP, HOSE #24 1"-2" SS .505

- 22 1778928 THRU-HULL, SS 1.5" BARB SHORT W/RBR GASKET
- 23 123919 HOSE, CORR BILGE 1.5" BLK

NOT SHOWN

- 408724 ELBOW, PVC 1.5" FLANGE X 3/4" BARB X 90DEG

DRAINAGE SYSTEM (BILGE PUMP AND SUMP)



DRAINAGE SYSTEM (BILGE PUMP AND SUMP)

- 1 1851742 SHOWER, SUMP ASSY 12V 800GPH W/MERC FREE/CONN
(HULL# 1136 -> UP)
- 1771069 SHOWER, SUMP ASY 12VW/800 PMP/CKVLV MOD W/CON
(HULL# 1001 -> 1135)
- 2 1758649 THRU-HULL, PLAS 1 3/8"X 12" WHT
- 3 263954 CLAMP, HOSE #10 1/2"-1 1/8" SS .505
- 4 1058957 HOSE, WATER A/C WHT 5/8"
- 5 256685 CLAMP, HOSE #16 3/4"-1.5" SS .505
- 6 175687 DRAIN, SINK STRAINER 2.5" SS W/5/8"BARB
- 1839033 DRAIN, SINK STRAINER BASKET ONLY
(PART OF 175687)
- 7 533943 BUSHING, PVC 1"MPT X 1/2"FPT
- 8 686725 TEE, PVC 1.5"FM SLIP X 1.5"FM SLIP X 1"FPT
- 9 846899 HOSE, SANI 1.5" PREMIUM RBR BLK
- 10 1778928 THRU-HULL, SS 1.5"BARB SHORT W/RBR GASKET
- 11 184101 ADAPTER, PVC 1.5"OD X 1.5"ID SLIP
- 12 167502 TEE, PVC 1.5"FM SLIP
- 13 268797 ELBOW, PVC 1.5"F SLIP X 1.5"M SLIP X 90DEG
- 14 1412543 BUSHING, PVC 1.5"M SLIP X 1/2"FPT
- 15 698183 BUSHING, PVC 1.5"M SLIP X 1"FPT
- 16 1742987 ADAPTER, PVC 1"MPT X 1 1/8"BARB
- 17 411132 ELBOW, PVC 1/2"MPT X 1/2"BARB X 90DEG
- 18 932780 TEE, PVC 1.5"FM SLIP DBL SWEEP
- 19 123901 HOSE, CORR BILGE 1 1/8" BLK
- 20 196782 DRAIN ASSY, SHOWER 1.5"
- 344762 DRAIN ASSY, SHOWER SLIP NUT 1.5"
(PART OF 196782)
- 344721 DRAIN ASSY, GASKET SHOWER SLIP NUT 1.5"
- 21 256693 CLAMP, HOSE #24 1"-2" SS .505
- 22 1796904 PUMP, BILGE 1200GPH TSUNAMI W/CONN
(HULL# 1124 -> UP)
- 1771004 PUMP, BILGE 1100GPH W/IMPLLR HOUSG VNS W/CONN
(HULL# 1001 -> 1123)
- 23 123844 HOSE, SANI/SMOOTH WALL 1.5"
- 24 1794015 SWITCH, FLOAT ATTWOOD W/CVR W/CONN
(HULL# 1049 -> UP)
- 1771033 SWITCH, FLOAT RÙLE W/CVR W/CONN
(HULL# 1001 -> 1048)
- 25 1778931 THRU-HULL, SS 1 1/8"BARB SHORT W/RBR GASKET
- 26 1778933 THRU-HULL, SS 5/8"BARB SHORT W/RBR GASKET

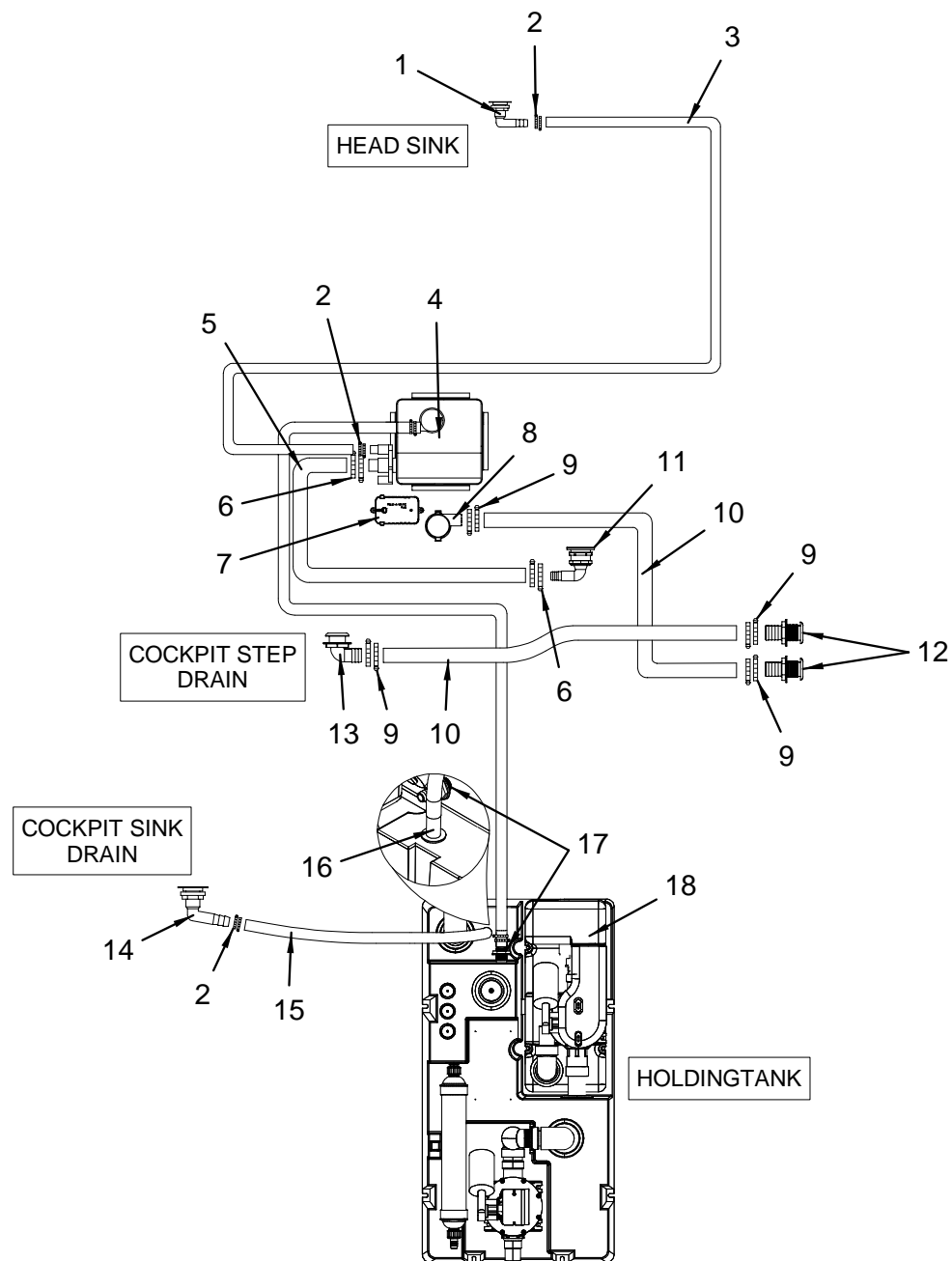
LABELS

- 1745160 LABEL, 1/2"X 1.5" SHWR DRAIN
- 1745517 LABEL, 1/2"X 1.5" DISCHARGE

NOT SHOWN

- 149757 PIPE, PVC SCH 40 BOE PIPE 1.5"
- 814822 ELBOW, PVC 1.5"FPT X 1.5"BARB X 90DEG MACHINE

GRAY WATER SYSTEM



GRAY WATER SYSTEM

- 1 175687 DRAIN, SINK STRAINER 2.5" SS W/5/8"BARB
- 1839033 DRAIN, SINK STRAINER BASKET ONLY
(PART OF 175687)
- 2 263954 CLAMP, HOSE #10 1/2"-1 1/8" SS .505
- 3 1058957 HOSE, WATER A/C WHT 5/8"
- 4 1851742 SHOWER, SUMP ASSY 12V 800GPH W/MERC FREE/CONN
(HULL# 1136 -> UP)
- 1771069 SHOWER, SUMP ASY 12VW/800 PMP/CKVLV MOD W/CON
(HULL# 1001 -> 1135)
- 5 123844 HOSE, SANI/SMOOTH WALL 1.5"
- 6 256693 CLAMP, HOSE #24 1"-2" SS .505
- 7 1794015 SWITCH, FLOAT ATTWOOD W/CVR W/CONN
(HULL# 1049 -> UP)
- 1771033 SWITCH, FLOAT RULE W/CVR W/CONN
(HULL# 1001 -> 1048)
- 8 1796904 PUMP, BILGE 1200GPH TSUNAMI W/CONN
(HULL# 1124 -> UP)
- 1771004 PUMP, BILGE 1100GPH W/IMPLLR HOUSG VNS W/CONN
(HULL# 1001 -> 1123)
- 9 256685 CLAMP, HOSE #16 3/4"-1.5" SS .505
- 10 123901 HOSE, CORR BILGE 1 1/8" BLK
- 11 196782 DRAIN ASSY, SHOWER 1.5"
- 344762 DRAIN ASSY, SHOWER SLIP NUT 1.5"
(PART OF 196782)
- 12 1778931 THRU-HULL, SS 1 1/8"BARB SHORT W/RBR GASKET
- 13 1043371 THRU-HULL, PLAS 1 1/8" TUBE X 90DEG WHT
- 14 785774 DRAIN, W/PLUG 100DEG 5/8" BARB BLK W/WHT HEAD
1619618 PLUG, DRAIN STOPPER
(PART OF 785774)
- 15 1058957 HOSE, WATER A/C WHT 5/8"
- 16 182964 THRU-HULL, PLAS 3/4" WHT
(GRAY WATER SYSTEM)
- 17 124487 THRU-HULL, PLAS 5/8" WHT
(AIR CONDITIONING / HEATING)
- 18 1761960 TANK, HOLDING 28 GAL HTS W/VAC GEN W/CONN
- 1760159 TANK, HOLDING 28 GAL HTS W/VAC GEN/12V T-PMP
(MACERATOR W/ SEACOCK INTERLOCK SYSTEM)
- 1788791 FILTER, HEAD TREATMENT SYSTEM DOMETIC
(PART OF 1761960 & 1760159)
- 1788792 VACUUM GEN, 12VDC DOMETIC
(PART OF 1761960 & 1760159)
- 1788793 PUMP, HEAD SYS MACERATOR 12VDC DOMETIC
(PART OF 1760159)
(MACERATOR W/ SEACOCK INTERLOCK SYSTEM)
- 1835677 SENDING UNIT, HOLD TANK 28 GAL HTS W/VAC GEN
(PART OF 1761960 & 1760159)
- 1852579 SENDING UNIT, HOLD TANK FULL LEVEL INDICATOR
(PART OF 1835677)
- 1852580 SENDING UNIT, HOLD TANK MID LEVEL INDICATOR
(PART OF 1835677)
- 1852581 SENDING UNIT, HOLD TANK EMPTY LEVEL INDICATOR
(PART OF 1835677)
- 1798858 VACUUM GEN, DIRECTOVRBD W/SEACKSW/SHTDWN RELY
(VACUUM FLUSH HEAD W/ DIRECT OVER BOARD INTL)

NOT SHOWN

- 1778928 THRU-HULL, SS 1.5"BARB SHORT W/RBR GASKET
- 723742 COVER, CLAMP END PROT .045"X.465-1/2"RED
- 658294 TEE, PVC 5/8"BARB X 5/8"BARB X 5/8"BARB
(GRAY WATER SYSTEM)
- 280222 BUSHING, PVC 1"MPT X 3/4"FPT
(GRAY WATER SYSTEM)
- 196675 ADAPTER, PVC 3/4"MPT X 5/8"BARB
(GRAY WATER SYSTEM)

D6-310DPH (298 PHP) VOLVO DIESEL STERN DR.

288407	ADAPTER, BRASS 1/2" FPT X 3/8" MPT
144675	ADAPTER, BRASS 1/2" MPT X 5/8" BARB
140483	ADAPTER, BRASS 1/4" MPT X 3/8" SAE
169524	ADAPTER, BRASS 3/8" MPT X 3/8" SAE
791392	BUSHING, SS THD 1/4" FPT X 3/8" MPT
184077	BUSHING, SS THD 3/8" FPT X 1/2" MPT
1802079	CABLE, BATT KIT 260DA-05 VOLVO RV1
1881781	CABLE, CONTROL MERC SAE/SAE ENG END PLAT 7'
1335983	CABLE, CONTROL TELEFLEX TFX TREME 7'
1847960	CONTROL, ACTUATOR SHIFT VOLVO
1818687	CONTROL, VOLVO SIDE MNT ELECTRONIC
1771036	DECK PLATE, DSL CHR W/VNT 45DG NCK GRN W/CONN
1376037	ELBOW, BRASS 90DEG 1/2" MPT X 1/2" MPT
140467	ELBOW, BRASS 90DEG 3/8" SAE X 1/4" MPT
1887694	FERRULE, FUEL LINE 3/8" .718" ID X .768" OD
1819807	FERRULE, FUEL LINE 3/8" ISO/CE .775" ID
1524065	FILTER, REMOTE FUEL DSL (500MASR)
170589	FITTING, BRASS 3/8" BARB/NUT
1887747	FITTING, BRASS BARB/NUT 3/8" FEMALE SAE
1847403	GAUGE, ALARM VOLVO
1847958	GAUGE, EVC LCD DISPLAY W/TRIP SOFTWARE
1847402	GAUGE, FUEL VOLVO
1847405	GAUGE, INST MNTG KIT 52MM VOLVO
1847406	GAUGE, INST MNTG KIT 85MM VOLVO
1847397	GAUGE, SPEEDO 0-70 MPH VOLVO
1847399	GAUGE, TACH LCD DISPLAY VOLVO D4/D6
1847400	GAUGE, TEMP C VOLVO
1847401	GAUGE, TRIM VOLVO D3/D4/D6
1148857	HALON SYS, ENG INTRUPT/RESTRT 12V 5-CKT
1800634	HARNESS, 260DA-06 BILGE DSL D4/D6 120V
1762413	HARNESS, ENG MERC S-CRFT SC100 LINK EXT 12"
1847950	HARNESS, EVC KIT MAIN STA SNGL VOLVO
1847957	HARNESS, FIRE SYS SHUTDWN VOLVO
1847954	HARNESS, PCU TO HCU CABLE 7M VOLVO
1847953	HARNESS, Y-SPLIT CABLE VOLVO
123760	HOSE, FUEL 3/8" TYPE A CLASS 1 ISO/CE
1884011	HOSE, FUEL 3/8" TYPE A CLASS 1-15 ISO/CE/CARB
168898	NIPPLE, BRASS 1/2" MPT X 3.5"
168872	NIPPLE, BRASS 1/2" MPT X CLOSE
1803581	PANEL, 260DA-06 DASH SW PRT DSL SR MAHOGANY
1808471	PANEL, 260DA-06 DASH SW STB SR MAHOGANY
1803710	PANEL, 260DA-06 MAIN DC BRKR W/BATT SW DSL
1799391	PANEL, BLANK:260DA PRT W/FUEL/TRM DSL D4/D6
1799392	PANEL, BLANK:260DA STB W/OIL/ALRM DSL D4/D6
1799384	PANEL, BLANK:260DA-06 INST DSL D4/D6 BLK CRL
1847396	PANEL, TRIM VOLVO
1793043	PROP, DUAL VOLVO BRZ (G-7)
1847949	RELAY, ACCY CNTRL 12V VOLVO
1846422	S/D, VOLVO D6 310 DPH KIT REVC 260DA/270AJ
1815910	SHIM, ALUM ENG MNT 1/2" VOLVO D6 4" X9"
1847962	STEERING HOSE, HOSE KIT 6M VOLVO
1798707	SUPPORT, MOTOR MOUNT VOLVO D6 ALUM
1764504	TANK, FUEL 260DA-05 84GAL DSL PLAS W/SS SNDR
1799812	TANK, FUEL 260DA-06 84GAL DSL PLAS W/SS SNDR
325944	TEE, BRASS STREET 1/2" MPT X 1/2" FPT X 1/2" FPT
1847964	TIE BAR, VOLVO DPH DRIVE D4/D6 TWN
1847395	TRANSDUCER, MULTI SENSOR KIT VOLVO
1687213	VALVE, BRASS FUEL 1/2" MPT X 1/2" FPT
1054766	VALVE, BRASS WATER HEATER TEMPERING 120-160DG
1791673	VALVE, ZURN 1/2" MPT X 1/2" MPT CHECKVALVE

350 MAG MPI BR 3 (300 PHP) MCM STERN DR.

1778015	OUTDRIVE UNIT, MERC BRAVO III 2.20:1 '05
1849113	S/D, MERC 300HP 350MAG BR3 6.0" 14 PIN

MX 6.2L MPI BR 3 (320 PHP) MCM STERN DRIVE

1778015	OUTDRIVE UNIT, MERC BRAVO III 2.20:1 '05
1849117	S/D, MERC 320HP 6.2MPI BR3 6.0" 14PIN

496 MAG BR 3 (375 PHP) MCM STERN DRIVE

1583046	ACC PART, MERC EXHAUST INT ELBOW KIT
1583384	ACC PART, MERC EXHAUST PIPE (Y PIPE)
1610500	ACC PART, MERC S-CRFT WTHR CAP 3POS CAP
144675	ADAPTER, BRASS 1/2" MPT X 5/8" BARB
141713	ADAPTER, BRASS 3/8" MPT X 5/8" BARB
1376037	ELBOW, BRASS 90DEG 1/2" MPT X 1/2" MPT
1789965	HARNESS, MERCURY FUEL ADAPTER 6 PIN TO 3
1501824	HOSE, CONDUIT/SPLIT 3/4" FLAME RETARDANT
1689300	HOSE, UNIFLEX BLUE 1/2" SW/FPT PLAS 1'
1689302	HOSE, UNIFLEX BLUE 1/2" SW/FPT PLAS 3'

496 MAG BR 3 (375 PHP) MCM STERN DRIVE (continued)

168898	NIPPLE, BRASS 1/2" MPT X 3.5"
168872	NIPPLE, BRASS 1/2" MPT X CLOSE
1778016	OUTDRIVE UNIT, MERC BRAVO III 2.0:1 '05
708180	PROP, 14.25" X 22" SS BR3 RH
708172	PROP, 15.75" X 22" SS BR3 LH
1849121	S/D, MERC 375HP 496 MAG BR3 2.0:1 6.0" 14PIN
325944	TEE, BRASS STREET 1/2" MPT X 1/2" FPT X 1/2" FPT
1054766	VALVE, BRASS WATER HEATER TEMPERING 120-160DG
1791673	VALVE, ZURN 1/2" MPT X 1/2" MPT CHECKVALVE

MX 6.2L MPI HORIZON BR3 (320 PHP) STERN DR

144675	ADAPTER, BRASS 1/2" MPT X 5/8" BARB
141713	ADAPTER, BRASS 3/8" MPT X 5/8" BARB
256693	CLAMP, HOSE #24 1" 2" SS .505
256701	CLAMP, HOSE #28 1.5" 1.6" 2.25" SS .505
1376037	ELBOW, BRASS 90DEG 1/2" MPT X 1/2" MPT
586917	ELBOW, BRZ 45DEG 1.25" MPT X 1.25" BARB
1501824	HOSE, CONDUIT/SPLIT 3/4" FLAME RETARDANT
1689300	HOSE, UNIFLEX BLUE 1/2" SW/FPT PLAS 1'
1689302	HOSE, UNIFLEX BLUE 1/2" SW/FPT PLAS 3'
124206	HOSE, WATER INTAKE 1.25" HW
168898	NIPPLE, BRASS 1/2" MPT X 3.5"
168872	NIPPLE, BRASS 1/2" MPT X CLOSE
1778015	OUTDRIVE UNIT, MERC BRAVO III 2.20:1 '05
531590	PICK-UP, BRZ WATER INTAKE 1.25"
1849118	S/D, MERC 320HP 6.2 MPI HZN BR3 6.0" 14PIN
518449	SEACOCK, BRZ 1.25" W/O TAILPIECE
158063	STRAINER, BRZ WATER INTAKE 1.25"
518464	TAILPIECE, BRZ 1.25" MPT X 1.25" BARB
325944	TEE, BRASS STREET 1/2" MPT X 1/2" FPT X 1/2" FPT
1054766	VALVE, BRASS WATER HEATER TEMPERING 120-160DG
1791673	VALVE, ZURN 1/2" MPT X 1/2" MPT CHECKVALVE

350 MAG MPI HORIZON BR 3 (300 PHP) MCM SD

144675	ADAPTER, BRASS 1/2" MPT X 5/8" BARB
141713	ADAPTER, BRASS 3/8" MPT X 5/8" BARB
256693	CLAMP, HOSE #24 1" 2" SS .505
256701	CLAMP, HOSE #28 1.5" 1.6" 2.25" SS .505
1376037	ELBOW, BRASS 90DEG 1/2" MPT X 1/2" MPT
586917	ELBOW, BRZ 45DEG 1.25" MPT X 1.25" BARB
1501824	HOSE, CONDUIT/SPLIT 3/4" FLAME RETARDANT
1689300	HOSE, UNIFLEX BLUE 1/2" SW/FPT PLAS 1'
1689302	HOSE, UNIFLEX BLUE 1/2" SW/FPT PLAS 3'
124206	HOSE, WATER INTAKE 1.25" HW
168898	NIPPLE, BRASS 1/2" MPT X 3.5"
168872	NIPPLE, BRASS 1/2" MPT X CLOSE
1778015	OUTDRIVE UNIT, MERC BRAVO III 2.20:1 '05
531590	PICK-UP, BRZ WATER INTAKE 1.25"
1848555	S/D, MERC 300HP 350MAG HZN BR3 6.0" 14PIN
518449	SEACOCK, BRZ 1.25" W/O TAILPIECE
158063	STRAINER, BRZ WATER INTAKE 1.25"
518464	TAILPIECE, BRZ 1.25" MPT X 1.25" BARB
325944	TEE, BRASS STREET 1/2" MPT X 1/2" FPT X 1/2" FPT
1054766	VALVE, BRASS WATER HEATER TEMPERING 120-160DG
1791673	VALVE, ZURN 1/2" MPT X 1/2" MPT CHECKVALVE

FLAG POLE & BASE, U.S. FLAG

706747	CLIP, FLAG
1854249	CLIP, FLAG KEY RNG 302SS
1838426	FLAG, USA 16" X 24"
1848879	HOLDER, FLUSH MOUNT MAGNETIC STERN FLAG POLE
1838431	POLE, FLAGSTAFF SS MAGNETIC SPRTBT/SPRTCSR

AUSTRALIAN BUILDERS PLATE

1850618	PLATE, BUILDERS AU 06-260DA
1888215	PLATE, BUILDERS AU 07-260DA

PREMIER STEREO UPGRADE - POLK MOMO SYSTEM

991612	ANGLE, PVC 2" X 2" X 1/4" X 10' WHT
650499	BOOT, BATTERY CABLE 4/0 RED 11/16"
130849	BOOT, BATTERY CABLE RED
836023	BRACKET, ALUM 1.5" X 1.5" X 1.5" 3/16" HOLES
836007	BRACKET, ALUM 1.5" X 1.5" X 3" 3/16" HOLES
1121789	BRKR, SURF MNT THERMAL 40AMP MANUAL RESET
795583	BUSS BAR, SGL POST 5/16"
1802082	CABLE, BATT KIT 260DA-05 GAS/GEN/PRMSTERO RV1
935080	CABLE, CLARION DUAL REMOTE "Y"
1312750	CABLE, CLARION REMOTE EXTENSION CABLE 24'
1750879	CABLE, RCA AUDIO "Y" (1-FM/ 2-M) W/NOISE SUPP
1751853	CABLE, RCA AUDIO 9M W/EFX-2 CONN N/SUP

PREMIER STEREO UPGRADE - POLK MOMO SYSTEM (continued)

1753734	GRILL, 10" SUBWOOFER POLK/MOMO G10 SLVR
1803072	HARNESS, 260DA-06 PREM CKPT STEREO W/CONN
1767803	LABEL, STEREO 1.5"X 1/4"
1766469	PANEL, BLANK:260DA-05 STB W/MOMO TWTR BLK CRL
1764471	SPEAKER, POLK/MOMO 10" SUBWOOFER RV1
1814548	SPEAKER, POLK/MOMO 6.5"MDRNG/TWTR/CRSOVR SLVR
1807866	STEREO, AMP PANASONIC 400W 4CHNL
1803477	STEREO, REMOTE CNTRL N/DSPL BLK FACE/SS BZL

2ND STEREO REMOTE CONTROL -TRANSOM

935080	CABLE, CLARION DUAL REMOTE "Y"
1312750	CABLE, CLARION REMOTE EXTENSION CABLE 24'
497917	CONN, BUTT 12/10GA INS W/INS GRIP
497909	CONN, BUTT 16/14GA INS W/INS GRIP
1803477	STEREO, REMOTE CNTRL N/DSPL BLK FACE/SS BZL

GENERATOR 4.0 EOZ KOHLER - DIESEL - 120V/60

162750	ADAPTER, BRASS 1/4"MPT X 1/4"SAE
531426	ADAPTER, BRZ 3/4"MPT X 3/4"BARB
650499	BOOT, BATTERY CABLE 4/0 RED 11/16"
130849	BOOT, BATTERY CABLE RED
140509	BOOT, ENG STARTER RED
791392	BUSHING, SS THD 1/4"FPT X 3/8"MPT
795583	BUSS BAR, SGL POST 5/16"
1767373	CABLE, BATT KIT 260DA-05 DSL GEN
1802080	CABLE, BATT KIT 260DA-05 DSL/GEN/PRMSTERO RV1
256677	CLAMP, HOSE #12 1/2"-1.25" SS .505
256719	CLAMP, HOSE #32 1 9/16"-2.5" SS .505
123604	CLAMP, LOOM VINYL DIP 2.5"
629253	ELBOW, BRASS 90DEG 1/4"SAE X 1/4"MPT
169193	ELBOW, BRZ 90DEG 3/4"MPT X 3/4"BARB
1887693	FERRULE, FUEL LINE 1/4" .575"ID X .625"OD
965954	FERRULE, FUEL LINE 1/4"ISO/CE .650"ID
1524065	FILTER, REMOTE FUEL DSL (500MASR)
629279	FITTING, BRASS 1/4"BARB/NUT
1887750	FITTING, BRASS BARB/NUT 1/4" FEMALE SAE
1733235	GENERATOR, 4.0KW DSL KOHLER 60HZ
1769261	HARNESS, 260DA-05 GEN KOHLER DSL 120V
913053	HOSE, EXHAUST 2" CORR HW
340901	HOSE, FUEL 1/4" TYPE A CLASS 1 ISO/CE
1884010	HOSE, FUEL 1/4" TYPE A CLASS 1-15 ISO/CE/CARB
123810	HOSE, GEN PURPOSE 3/4"
1743616	LABEL, UNPLUG SHORE POWER WARNING
1745513	LABEL, WARNING LEAKING FUEL
1784602	MUFFLER, 2"IN X 2"OUT 9"X 9" BASE
1759672	PANEL, 260DA-05 AC MDP 120/60 W/GEN
1774162	PANEL, 260DA-05 GEN REMOTE SW DSL
518431	SEACOCK, BRZ 3/4" W/O TAILPIECE
1791584	STRAINER, BRZ WATER INTAKE 3/4" W/NYLON STRAP
640300	THRU-HULL, BRZ 3/4" W/O NUT
1769255	THRU-HULL, SS EXHAUST 2" W/SS LIP
1769379	TUBE, PICK-UP ASSY 260DA-05 12" W/VALVE (DSL)

GENERATOR 3.5 EFOZ KOHLER -DIESEL - 220V/50

162750	ADAPTER, BRASS 1/4"MPT X 1/4"SAE
531426	ADAPTER, BRZ 3/4"MPT X 3/4"BARB
650499	BOOT, BATTERY CABLE 4/0 RED 11/16"
130849	BOOT, BATTERY CABLE RED
140509	BOOT, ENG STARTER RED
791392	BUSHING, SS THD 1/4"FPT X 3/8"MPT
795583	BUSS BAR, SGL POST 5/16"
1767373	CABLE, BATT KIT 260DA-05 DSL GEN
1802080	CABLE, BATT KIT 260DA-05 DSL/GEN/PRMSTERO RV1
256677	CLAMP, HOSE #12 1/2"-1.25" SS .505
256719	CLAMP, HOSE #32 1 9/16"-2.5" SS .505
123604	CLAMP, LOOM VINYL DIP 2.5"
629253	ELBOW, BRASS 90DEG 1/4"SAE X 1/4"MPT
169193	ELBOW, BRZ 90DEG 3/4"MPT X 3/4"BARB
1887693	FERRULE, FUEL LINE 1/4" .575"ID X .625"OD
965954	FERRULE, FUEL LINE 1/4"ISO/CE .650"ID
1524065	FILTER, REMOTE FUEL DSL (500MASR)
629279	FITTING, BRASS 1/4"BARB/NUT
1887750	FITTING, BRASS BARB/NUT 1/4" FEMALE SAE
1763544	GENERATOR, 3.5 KW DSL KOHLER 50HZ SS BASE
1776739	HARNESS, 260DA-05 GEN KOHLER DSL 220V
913053	HOSE, EXHAUST 2" CORR HW
340901	HOSE, FUEL 1/4" TYPE A CLASS 1 ISO/CE
1884010	HOSE, FUEL 1/4" TYPE A CLASS 1-15 ISO/CE/CARB
123810	HOSE, GEN PURPOSE 3/4"
1743616	LABEL, UNPLUG SHORE POWER WARNING

GENERATOR 3.5 EFOZ KOHLER -DIESEL - 220V/50 (continued)

1745513	LABEL, WARNING LEAKING FUEL
1784602	MUFFLER, 2"IN X 2"OUT 9"X 9" BASE
1759672	PANEL, 260DA-05 AC MDP 120/60 W/GEN
1774162	PANEL, 260DA-05 GEN REMOTE SW DSL
518431	SEACOCK, BRZ 3/4" W/O TAILPIECE
1791584	STRAINER, BRZ WATER INTAKE 3/4" W/NYLON STRAP
640300	THRU-HULL, BRZ 3/4" W/O NUT
1769255	THRU-HULL, SS EXHAUST 2" W/SS LIP
1769379	TUBE, PICK-UP ASSY 260DA-05 12" W/VALVE (DSL)

ZZ UNREFERENCED ACCESSORY GROUP ITEMS

1810917	CRADLE, STRG 12' 240-270 MODELS
---------	---------------------------------

CAMPER CANVAS PACKAGE

1777350	CANVAS, 260DA-05 CAMP TOP BOOT BLK
1807594	CANVAS, 260DA-06 CAMP TOP CMPLT BLK

BOTTOM PAINT - NO ADDITIONAL CHARGE

1767676	TRIM TAB, ASSY 12X12 SGL ACT 12V N/CNTRL
---------	--

COCKPIT COVER

1774359	CANVAS, 260DA-05 CPC W/BIMINI N/SNP BLK
---------	---

TWO TONE HULL (NO BOTTOM PAINT)

1799781	GEL COAT, NEW PEWTER VALSPAR
---------	------------------------------

SPOTLIGHT, 5" REMOTE CONTROLLED

1755306	CONTROL, SEARCH LIGHT N/HARNESS
731000	FUSE, BLADE TYPE CLOSED 10A
1756641	HARNESS, SPOTLIGHT ASSY 25' W/MALE CONN
1754590	SPOTLIGHT, 5" SS GUEST

GENERATOR 4.0 EFCO KOHLER - GAS - 220V/50HZ

169920	ADAPTER, BRASS 1/4"MPT X 1/2"SAE
162750	ADAPTER, BRASS 1/4"MPT X 1/4"SAE
531426	ADAPTER, BRZ 3/4"MPT X 3/4"BARB
650499	BOOT, BATTERY CABLE 4/0 RED 11/16"
130849	BOOT, BATTERY CABLE RED
140509	BOOT, ENG STARTER RED
1734756	BRKR, CIRC KOHLER GAS GEN 18A/50HZ KIT
791392	BUSHING, SS THD 1/4"FPT X 3/8"MPT
795583	BUSS BAR, SGL POST 5/16"
1768498	CABLE, BATT KIT 260DA-05 GAS GEN
1802082	CABLE, BATT KIT 260DA-05 GAS/GEN/PRMSTERO RV1
256677	CLAMP, HOSE #12 1/2"-1.25" SS .505
256719	CLAMP, HOSE #32 1 9/16"-2.5" SS .505
123604	CLAMP, LOOM VINYL DIP 2.5"
723742	COVER, CLAMP END PROT .045"X.465-1/2"RED
629253	ELBOW, BRASS 90DEG 1/4"SAE X 1/4"MPT
169193	ELBOW, BRZ 90DEG 3/4"MPT X 3/4"BARB
1887693	FERRULE, FUEL LINE 1/4" .575"ID X .625"OD
965954	FERRULE, FUEL LINE 1/4"ISO/CE .650"ID
148171	FILTER, FUEL/WATER SEPARATOR KIT
629279	FITTING, BRASS 1/4"BARB/NUT
1887750	FITTING, BRASS BARB/NUT 1/4" FEMALE SAE
1833211	GENERATOR, 4EFCO GAS KOHLER 220V/50 SCRFT
1813641	HARNESS, 260DA-06 GEN KOHLER GAS ECD 220V
913053	HOSE, EXHAUST 2" CORR HW
340901	HOSE, FUEL 1/4" TYPE A CLASS 1 ISO/CE
1884010	HOSE, FUEL 1/4" TYPE A CLASS 1-15 ISO/CE/CARB
123810	HOSE, GEN PURPOSE 3/4"
1831528	LABEL, GENERATOR RESET NOTICE
1743616	LABEL, UNPLUG SHORE POWER WARNING
1745513	LABEL, WARNING LEAKING FUEL
1816919	MONITOR, CO DETECTOR WHT CMD-4-RLY
1784602	MUFFLER, 2"IN X 2"OUT 9"X 9" BASE
570135	NIPPLE, BRASS 1/4"MPT X 1/4"MPT
1759675	PANEL, 260DA-05 AC MDP 220/50 W/GEN
1807786	PANEL, 260DA-06 GEN REMOTE SW GAS LOWCO
1816921	PLATE, CO MONITOR BCKNG CMD-4M-RLY-FCB W/CONN
518431	SEACOCK, BRZ 3/4" W/O TAILPIECE
1791584	STRAINER, BRZ WATER INTAKE 3/4" W/NYLON STRAP
640300	THRU-HULL, BRZ 3/4" W/O NUT
1769255	THRU-HULL, SS EXHAUST 2" W/SS LIP
1769378	TUBE, PICK-UP ASSY 260DA-05 12" W/ELBOW (GAS)
1791155	VALVE, BRASS FUEL SHUT-OFF 12V SER7000 10W

GENERATOR 5.0 ECD KOHLER - GAS - 120V/60HZ

169920	ADAPTER, BRASS 1/4"MPT X 1/2"SAE
162750	ADAPTER, BRASS 1/4"MPT X 1/4"SAE

GENERATOR 5.0 ECD KOHLER - GAS - 120V/60HZ (continued)

531426	ADAPTER, BRZ 3/4"MPT X 3/4"BARB
650499	BOOT, BATTERY CABLE 4/0 RED 11/16"
130849	BOOT, BATTERY CABLE RED
791392	BUSHING, SS THD 1/4"FPT X 3/8"MPT
795583	BUSS BAR, SGL POST 5/16"
1768498	CABLE, BATT KIT 260DA-05 GAS GEN
1802082	CABLE, BATT KIT 260DA-05 GAS/GEN/PRMSTERO RV1
256677	CLAMP, HOSE #12 1/2"-1.25" SS .505
256719	CLAMP, HOSE #32 1 9/16"-2.5" SS .505
123604	CLAMP, LOOM VINYL DIP 2.5"
723742	COVER, CLAMP END PROT .045"X.465-1/2"RED
629253	ELBOW, BRASS 90DEG 1/4"SAE X 1/4"MPT
1887693	FERRULE, FUEL LINE 1/4" .575"ID X .625"OD
965954	FERRULE, FUEL LINE 1/4"ISO/CE .650"ID
148171	FILTER, FUEL/WATER SEPARATOR KIT
629279	FITTING, BRASS 1/4"BARB/NUT
1887750	FITTING, BRASS BARB/NUT 1/4" FEMALE SAE
1803671	GENERATOR, 5ECD GAS KOHLER 120V/60 SCRF
1807782	HARNESS, 260DA-06 GEN KOHLER GAS ECD 120V
913053	HOSE, EXHAUST 2" CORR HW
340901	HOSE, FUEL 1/4" TYPE A CLASS 1 ISO/CE
1884010	HOSE, FUEL 1/4" TYPE A CLASS 1-15 ISO/CE/CARB
123810	HOSE, GEN PURPOSE 3/4"
1831528	LABEL, GENERATOR RESET NOTICE
1743616	LABEL, UNPLUG SHORE POWER WARNING
1745513	LABEL, WARNING LEAKING FUEL
1816919	MONITOR, CO DETECTOR WHT CMD-4-RLY
1784602	MUFFLER, 2"IN X 2"OUT 9"X 9" BASE
570135	NIPPLE, BRASS 1/4"MPT X 1/4"MPT
1759672	PANEL, 260DA-05 AC MDP 120/60 W/GEN
1807786	PANEL, 260DA-06 GEN REMOTE SW GAS LOWCO
1816921	PLATE, CO MONITOR BCKNG CMD-4M-RLY-FCB W/CONN
518431	SEACOCK, BRZ 3/4" W/O TAILPIECE
1791584	STRAINER, BRZ WATER INTAKE 3/4" W/NYLON STRAP
640300	THRU-HULL, BRZ 3/4" W/O NUT
1769255	THRU-HULL, SS EXHAUST 2" W/SS LIP
1769378	TUBE, PICK-UP ASSY 260DA-05 12" W/ELBOW (GAS)
1791155	VALVE, BRASS FUEL SHUT-OFF 12V SER7000 10W

MACERATOR W/ SEACOCK INTERLOCK SYSTEM

256693	CLAMP, HOSE #24 1"-2" SS .505
723742	COVER, CLAMP END PROT .045"X.465-1/2"RED
531566	ELBOW, BRZ 90DEG 1.5"MPT X 1.5"BARB
846899	HOSE, SANI 1.5" PREMIUM RBR BLK
1745156	LABEL, NOTICE OVERBOARD DISCHARGE (LEXAN)
518456	SEACOCK, BRZ 1.5" W/O TAILPIECE
1302116	SWITCH, SEACOCK INTERLOCK W/60" LEADS/CONN
1760159	TANK, HOLDING 28 GAL HTS W/VAC GEN/12V T-PMP
579870	THRU-HULL, BRZ 1.5" W/O NUT

COCKPIT SUNPAD FILLER WITH TABLE

876961	BASE, LEG/POST FLUSH MT ALUM
876979	BASE, LEG/POST SURF MT ALUM
1500552	CLIP, TABLE LEG 60MM TUBE BLK
1880549	GEL COAT, ARCTIC WHITE MMHP 5799W90073
1839469	GEL COAT, ARCTIC WHITE MMSTD 5797W90214
103309	MESH, WHITE 60"
992495	POST, TABLE LEG 11.75" ANOD FLUTED
1623883	POST, TABLE LEG 2.25"X 27.25" ANOD TAPER
1819912	TABLE, TEAK 260DA-06 CKPT FLR W/CVR N/BASE
283069	VINYL FILM, PLAS 1MM X 5'X 830YD
1788397	VINYL, SOFTDURA MYSTIC WHT 1/4" F/B OMNOVA
180182	ZIPPER, #5 DELRIN CONTINUOUS WHT

BOATER SAFETY KIT

1848242	KIT, SAFETY PACKAGE-SPCRUIS W/WHT FNDRS/LINE
1848243	KIT, SIGNAL ORION FLARE

FIRE SUPPRESSION FM 200 - INTERNATIONAL

1771025	FIRE EXT SYS, FM200 150CFGAS/DSL-MAN/AUTW/CON
1788085	FIRE EXT SYS, FM200 250CFGAS/DSL-MAN/AUTO/CON

SNAP-IN CARPET COCKPIT

839720	BINDING, CANVAS 1" LINEN BIAS SUNBRELLA
1609916	CARPET, EXT 28 OZ DUNE PEBBLE #902 RL 7"W
1790664	SNAP REINFORCEMENT, PLAS BACKER 500 PC/ROLL
154393	SNAP SOCKET, MED ACTION
154369	SNAP STUD, W/#8 X 3/8" PH SS

GRAY WATER SYSTEM

196675	ADAPTER, PVC 3/4"MPT X 5/8"BARB
280222	BUSHING, PVC 1"MPT X 3/4"FPT
263954	CLAMP, HOSE #10 1/2"-1 1/8" SS .505
723742	COVER, CLAMP END PROT .045"X.465-1/2"RED
123901	HOSE, CORR BILGE 1 1/8" BLK
1058957	HOSE, WATER A/C WHT 5/8"
658294	TEE, PVC 5/8"BARB X 5/8"BARB X 5/8"BARB
182964	THRU-HULL, PLAS 3/4" WHT
1778931	THRU-HULL, SS 1 1/8"BARB SHORT W/RBR GASKET
1778928	THRU-HULL, SS 1.5"BARB SHORT W/RBR GASKET

UNDER WATER SWIM PLATFORM LIGHTING

122853	FITTING, WATER TIGHT OUTLET FOR 5/16" CABLE
1774634	LIGHT, UNDRWTR 12V/50W HALOGEN SEALED BEAM

SHOWER - TRANSOM - HOT & COLD

1689320	ELBOW, UNIFLEX PLAS 1/2"MPT X 1/2"FPT SWVL
736702	FAUCET, WASHDOWN BOX W/MIXER (AQUATIK) VERT
1689329	HOSE, UNIFLEX BLUE 1/2" SW/FPT PLAS 4'
1689303	HOSE, UNIFLEX BLUE 1/2" SW/FPT PLAS 6'
1689403	HOSE, UNIFLEX RED 1/2" SW/FPT PLAS 6'
1689292	TEE, UNIFLEX PLAS 1/2" MPT

TV 10.4" FLIP DWN W/DVD-12V NTSC / ZF ONLY

1180041	ANTENNA, TV AMP W/SHIP/SHORE A/B SW 12/24VDC
792325	ANTENNA, TV GLOMAX ASSY W/CONN
1772803	BULKHD, LDPVC 260DA-05 TRNSM WALL SHR PWR/TV
864306	CONN, COAX 'F' TWIST-ON
145011	CONN, COAX TV CABLE MALE
136085	CORD SET, TV CABLE 50FT
1817493	DVD, KEC 12V DVD3 DIN
1756959	EXTENSION, CABLE A/V 25' RCA W/MALE CONN
1774594	HARNESS, 260DA-05 FLIP-DWN TV W/SEPARATE DVD
1501824	HOSE, CONDUIT/SPLIT 3/4" FLAME RETARDANT
133694	INLET, PHONE/TV CABLE COMBO WHT
1813842	MOUNTING KIT, SLEEVE FOR DVD2
1755311	SPEAKER, TELEVISION 5.25" (QUEST)
1755307	TELEVISION, 10.4" KEC LCD FLIP-DOWN
1747515	VINYL, RVIEW LT CAMEO N/W 1/4"FB

GPS / CHARTPLOTTER - NAVMAN

788703	ANTENNA, EXTENSION 24" GPS ALUM/POLY
1772659	CHART PLOTTER, NAVMAN 5500 CMPLT PKG 5"DISPL
1851045	CHART PLOTTER, NAVMAN 5505 CMPLT PKG 5"DISPL
706721	FUSE, BLADE TYPE ATC 1A
115311	MOUNT, RATCHET VHF 4-WAY W/1"-14 MALE THD SS

FIBERGLASS SPORT SPOILER W/ OVERHEAD LIGHTS

137349	ACCESS PLATE, PLAS CVR 5" WHT
1286913	ANTENNA, 8" VALOR 4000 W/O MNT W/O CONN
1777245	CANVAS, 260DA-05 BIM TOP BOOT W/ARCH BLK
1777249	CANVAS, 260DA-05 SIDE CURT SET W/ARCH BLK
1777306	CANVAS, 260DA-05 SNSHD AFT CURT W/ARCH BLK
1777265	CANVAS, 260DA-05 VSR CURT 3PC W/ARCH CLR/BLK
1803020	CANVAS, 260DA-06 BIM TOP W/ARCH BLK
1803024	CANVAS, 260DA-06 SNSHD TOP W/ARCH BLK
184648	CONN, COUPLER TYPE PL-258
1407675	CONN, SOLDERLESS INLINE SPLICE W/CENTER PIN
1734073	COVER, HDPE 260DA-03 SPOILER ACCESS ARW
1443225	EMBLEM, S/R WAVE 8" OVAL CHR TRNSM
1772450	FBRGLS PART, 260DA-05 SPORT SPOILER
122853	FITTING, WATER TIGHT OUTLET FOR 5/16" CABLE
1762175	HARNESS, 260DA-05 SPOILER
1745125	LABEL, SKI TOW ROPE BACKLASH
1776904	LIGHT, NAV MSTHD CMBO VAR MT 2"X1.5"BAS W/CON
1771016	LIGHT, NAV STERN FLSH MNT RND CHR/BRS W/CONN
1227412	LIGHT, NAV STERN FLUSH MT RND CHR/BRS N/STUDS
115311	MOUNT, RATCHET VHF 4-WAY W/1"-14 MALE THD SS
1473040	PLATE, BACKING UNIVERSAL 3/16"
1625078	PLATE, SS SPOILER MNT W/2STUD 1/2"X3.5"
1220441	TAPE, FOAM SGL FACE WHT VINYL 3/8"X 72YD
1362698	TRACK, VINYL AWNING WHT "FLEX-A-RAIL" 15'
1690169	TRACK, VINYL AWNING WHT "FLEX-A-RAIL" 20'

SOFT TOP CANVAS OPTION

137349	ACCESS PLATE, PLAS CVR 5" WHT
1286913	ANTENNA, 8" VALOR 4000 W/O MNT W/O CONN
1851984	CANVAS, 260DA-07 AFT CURT S/TOP BLK
1852091	CANVAS, 260DA-07 AFT SNSHD S/TOP BLK
1852088	CANVAS, 260DA-07 FWD SNSHD S/TOP BLK

SOFT TOP CANVAS OPTION (continued)

1851981	CANVAS, 260DA-07 SIDE CURT ST S/TOP BLK
1851987	CANVAS, 260DA-07 VSR CURT S/TOP 3PC CLR/BLK
184648	CONN, COUPLER TYPE PL-258
1407675	CONN, SOLDERLESS INLINE SPLICE W/CENTER PIN
1734073	COVER, HDPE 260DA-03 SPOILER ACCESS ARW
1443225	EMBLEM, S/R WAVE 8" OVAL CHR TRNSM
1772450	FBRGLS PART, 260DA-05 SPORT SPOILER
122853	FITTING, WATER TIGHT OUTLET FOR 5/16" CABLE
1848900	FRAME, ALUM 260DA-07 S/TOP AFT
1848899	FRAME, ALUM 260DA-07 S/TOP FWD
1762175	HARNESS, 260DA-05 SPOILER
1745125	LABEL, SKI TOW ROPE BACKLASH
1776904	LIGHT, NAV MSTDH CMBO VAR MT 2"x1.5" BAS W/CONN
1771016	LIGHT, NAV STERN FLSH MNT RND CHR/BRS W/CONN
1227412	LIGHT, NAV STERN FLUSH MT RND CHR/BRS N/STUDS
115311	MOUNT, RATCHET VHF 4-WAY W/1"-14 MALE THD SS
1039320	PLASTIC, PHENOLIC 1/2"X 2"X 4" RICHLITE
1473040	PLATE, BACKING UNIVERSAL 3/16"
1625078	PLATE, SS SPOILER MNT W/2STUD 1/2"X3.5"
1220441	TAPE, FOAM SGL FACE WHT VINYL 3/8"X 72YD
1362698	TRACK, VINYL AWNING WHT "FLEX-A-RAIL" 15'
1690169	TRACK, VINYL AWNING WHT "FLEX-A-RAIL" 20'

GEL-COATED DASH

1776900	COMPASS, FLUSH MT 4 3/16" BLK W/CONN
1788275	DOOR, HDPE 260DA-05 HLM ACCES W/SS STHCO NCKL
1799861	GEL COAT, NICKLE MMHP
914010	LOCK, CABIN DOOR BLK ANOD ALUM
856708	NOSING, VINYL 1"X 1/4"X 10' RIGID MALT

BOTTOM PAINT (STERN DRIVES) WHITE HULL ONLY

1355338	PAINT, BOTTOM BLACK HYDROCOAT
868893	PAINT, PRIMER SANDLESS #6999
1767676	TRIM TAB, ASSY 12X12 SGL ACT 12V N/CNTRL

ANCHOR CHUTE W/HAWSE PIPE

1145275	ANCHOR SHACKLE, JAW/JAW SWIVEL HVY DTY 3/8"
1733352	ANCHOR, 25LB PLOW
1777987	CLEAT, 8" SEA RAY SS 2-BOLT
1197938	DAVIT, ANCHOR W/ROLLER 260DA-99
168468	DECK PIPE, ROPE/DECK PIPE SS
697508	EYE, BOW 3/8"X 2.75"
819334	HOOK, SNAP 5/16"X 3 1/8" SS
805499	LANYARD, CABLE ANCHOR 1/8"X 16"SS
1473040	PLATE, BACKING UNIVERSAL 3/16"
144956	ROPE, NYLON ANCHOR LINE W/THIMBLE 1/2"X 150'

COCKPIT TABLE

983692	ACCESS PLATE, POLYPROP W/ O-RING 4" WHT
991612	ANGLE, PVC 2"X 2"X 1/4"X 10' WHT
876961	BASE, LEG/POST FLUSH MT ALUM
876979	BASE, LEG/POST SURF MT ALUM
609883	CLEAT, PLAS 3/4"X 1"X 4" GREY
1500552	CLIP, TABLE LEG 60MM TUBE BLK
1623883	POST, TABLE LEG 2.25"X 27.25" ANOD TAPER
864157	TABLE, T/F CKPT ROUND ARW 96

AIR CONDITIONING / HEATING-7000BTU-120V/60

1604263	A/C COMP, CABLE INTERCONNECT 15'
1759849	A/C COMP, COMPACT 7K SMXII 115V 60HZ R22
1206051	A/C COMP, DEFUSER 10X8 CLW W/FILTER
1604271	A/C COMP, DISPLAY ECU BLK W/3/4" DOOR
948281	A/C COMP, GRILL 4" RND N/DMPR CLW
948273	A/C COMP, HOSE FITTINGS FOR PMP500
1073378	A/C COMP, PLENUM W/4.5X4" OPEN 4" SIDE 4" TOP
948265	A/C COMP, PUMP SEAWATER 115V
531426	ADAPTER, BRZ 3/4" MPT X 3/4" BARB
144899	BOX, PVC SWITCH BOX
835850	BRACKET, ALUM 1"X 1"X 1" 3/16" HOLES
836023	BRACKET, ALUM 1.5"X 1.5"X 1.5" 3/16" HOLES
836007	BRACKET, ALUM 1.5"X 1.5"X 3" 3/16" HOLES
1776975	BRKR/ROCK, SGL-POLE AC/DC HORZ UP LUG 15A WHT
135228	CABLE, MARINE STRANDED 14/3 BLK/GRN/WHT
263954	CLAMP, HOSE #10 1/2"-1 1/8" SS .505
256743	CLAMP, HOSE #72 3 1/8"-5" SS .505
156885	CONN, NON-MET BOAT CABLE 0.30 TO 0.60 DIA
1376474	CONN, NYLON 1/2" FLAT CORD GRIP WATERPROOF
1478841	CONN, NYLON 1/2" ROUND SKIN TOP WATERPROOF
144907	COVER PLATE, SWITCH BOX BLUE PVC
723742	COVER, CLAMP END PROT .045"X.465-1/2" RED

AIR CONDITIONING / HEATING-7000BTU-120V/60 (continued)

169193	ELBOW, BRZ 90DEG 3/4" MPT X 3/4" BARB
411132	ELBOW, PVC 1/2" MPT X 1/2" BARB X 90DEG
1688368	HOSE, AC/DUCT INSULATED 4"X12"
1501824	HOSE, CONDUIT/SPLIT 3/4" FLAME RETARDANT
123810	HOSE, GEN PURPOSE 3/4"
1058957	HOSE, WATER A/C WHT 5/8"
1751884	LABEL, 1/2"X 1.5" A/C CONDENSATE
1743616	LABEL, UNPLUG SHORE POWER WARNING
531574	PICK-UP, BRZ WATER INTAKE 3/4"
518431	SEACOCK, BRZ 3/4" W/O TAILPIECE
1791584	STRAINER, BRZ WATER INTAKE 3/4" W/NYLON STRAP
1778933	THRU-HULL, SS 5/8" BARB SHORT W/RBR GASKET

AIR CONDITIONING / HEATING-7000BTU- 220V/50

1604263	A/C COMP, CABLE INTERCONNECT 15'
1769421	A/C COMP, COMPACT 7K SMXII 220V 50HZ GG
1206051	A/C COMP, DEFUSER 10X8 CLW W/FILTER
1604271	A/C COMP, DISPLAY ECU BLK W/3/4" DOOR
948281	A/C COMP, GRILL 4" RND N/DMPR CLW
948273	A/C COMP, HOSE FITTINGS FOR PMP500
1073378	A/C COMP, PLENUM W/4.5X4" OPEN 4" SIDE 4" TOP
948349	A/C COMP, PUMP SEAWATER 230V
531426	ADAPTER, BRZ 3/4" MPT X 3/4" BARB
144899	BOX, PVC SWITCH BOX
835850	BRACKET, ALUM 1"X 1"X 1" 3/16" HOLES
836023	BRACKET, ALUM 1.5"X 1.5"X 1.5" 3/16" HOLES
836007	BRACKET, ALUM 1.5"X 1.5"X 3" 3/16" HOLES
1776973	BRKR/ROCK, SGL-POLE AC/DC HORZ UP LUG 10A WHT
1646900	CABLE, MARINE UL BOAT 14/3 EURO
263954	CLAMP, HOSE #10 1/2"-1 1/8" SS .505
256743	CLAMP, HOSE #72 3 1/8"-5" SS .505
156885	CONN, NON-MET BOAT CABLE 0.30 TO 0.60 DIA
1376474	CONN, NYLON 1/2" FLAT CORD GRIP WATERPROOF
1478841	CONN, NYLON 1/2" ROUND SKIN TOP WATERPROOF
144907	COVER PLATE, SWITCH BOX BLUE PVC
723742	COVER, CLAMP END PROT .045"X.465-1/2" RED
169193	ELBOW, BRZ 90DEG 3/4" MPT X 3/4" BARB
411132	ELBOW, PVC 1/2" MPT X 1/2" BARB X 90DEG
1688368	HOSE, AC/DUCT INSULATED 4"X12"
1501824	HOSE, CONDUIT/SPLIT 3/4" FLAME RETARDANT
123810	HOSE, GEN PURPOSE 3/4"
1058957	HOSE, WATER A/C WHT 5/8"
1751884	LABEL, 1/2"X 1.5" A/C CONDENSATE
1743616	LABEL, UNPLUG SHORE POWER WARNING
531574	PICK-UP, BRZ WATER INTAKE 3/4"
518431	SEACOCK, BRZ 3/4" W/O TAILPIECE
1791584	STRAINER, BRZ WATER INTAKE 3/4" W/NYLON STRAP
124487	THRU-HULL, PLAS 5/8" WHT
1778933	THRU-HULL, SS 5/8" BARB SHORT W/RBR GASKET

220 VOLT / 50 CYCLE ELECTRICAL SYSTEM

627737	BOX, RECEPTACLE/SWITCH PVC 1-GANG DEEP
975037	BRKR, IDEA 230V 2P EURO GFCI 16A 10MA WHT
826867	BRKR/TOGGLE, 2-POLE AC MED DELAY 25A
1626803	CABLE, MARINE UL BOAT 10/3 EURO
1816000	CONVERTER, 10/10AMP 220VAC BLUE
206268	CORD SET, 220V/50H 16A 50FT
975029	COVER PLATE, IDEA-SERIES 3-GANG WHT
893289	FRAME, IDEA-SERIES 3-GANG SUPPORT FRAME GREY
1806301	HARNESS, 260DA-06 CEILING 220V
1840205	HARNESS, 260DA-07 BILGE 220V
1840216	HARNESS, 260DA-07 CABIN 220V
1156728	HEATER, WATER 6 GAL 220/50 W/75-210T&P
206276	INLET, SHORE POWER WHT 220V/50H 16A
1793050	MICROWAVE, SYLVANIA 0.5CF BLK 220V
1759674	PANEL, 260DA-05 AC MDP 220/50
1787551	RECEPTACLE, GERMAN STD MOS WHT(SNAP CVR) LVT
1787565	RECEPTACLE, LEVITON EXT W/CVR 220/50 GERMAN
1145069	RECEPTACLE, SGL GERMAN STD WHT
1671064	REFRIGERATOR, 2.7 CF AC/DC 220/50
975011	SWITCH, BLANK IDEA-SERIES WHT

CD CHANGER, 6 DISC

1733835	STEREO, CD CHANGER 6-DISC DCZ625 C-NET
---------	--

INT'L TRAILER - GALV.W/ ROLLERS

1755986	TRAILER, 270SD/260DA INT'L GALV W/ROLLER
---------	--

INT'L TRAILER - PAINTED W/ BUNK

1755983 TRAILER, 270SD/260DA INT'L PAINTED W/BUNK

INT'L TRAILER-PAINTED W/ROLLERS

1755984 TRAILER, 270SD/260DA INT'L PAINTED W/ROLLER

INT'L TRAILER - GALV. W/ BUNK

1755985 TRAILER, 270SD/260DA INT'L GALV W/BUNK

WINDLASS - ROPE / CHAIN

1145275 ANCHOR SHACKLE, JAW/JAW SWIVEL HVY DTY 3/8"
 1733352 ANCHOR, 25LB PLOW
 140509 BOOT, ENG STARTER RED
 1772527 BRKR/ROCK, SGL-POLE C-SERIES DC IGPRT 50A LD
 1777987 CLEAT, 8" SEA RAY SS 2-BOLT
 579573 CLIP, RETAINER BOAT HOOK 5/8" TO 1 1/4"
 1197938 DAVIT, ANCHOR W/ROLLER 260DA-99
 697508 EYE, BOW 3/8" X 2.75"
 978015 GUARD, HDPE 1/4" X 4" X 6" CHAIN (LOFRANS)
 1762154 HARNESS, 260DA-05 WINDLASS CABLE/DISCONNECT
 1762153 HARNESS, 260DA-05 WINDLASS CONTROL
 819334 HOOK, SNAP 5/16" X 3 1/8" SS
 1746896 LABEL, DANGER STAY CLEAR OF MOVING PARTS
 805499 LANYARD, CABLE ANCHOR 1/8" X 16" SS
 1485754 PANEL, WINDLASS SWITCH CNTRL BLK FOIL
 1473040 PLATE, BACKING UNIVERSAL 3/16"
 1745351 ROPE/CHN KT, LOFRANS 1/2" X 100'/1/4" X 20' REV1
 1785696 SHIM, HDPE 1/2" X 4 3/8" WNDLS MTR MNT RND ARW
 644609 SOLENOID, MAGNET LATCHING 12V 100A/500A W/HDW
 651869 SOLENOID, MAGNET LATCHING LEAD ONLY
 757765 WINDLASS FOOTSWITCH, HVY DTY W/SAFTY CVR WHT
 1788185 WINDLASS SOLENOID, LOFRANS CONTROL BOX 05
 1849144 WINDLASS, ASTER 500 W/2 FOOT SW & SOLENOID
 1727010 WINDLASS, RP/CHN MARLINI LO-PRO W/LONGSTUD

WINDLASS - CHAIN

1145275 ANCHOR SHACKLE, JAW/JAW SWIVEL HVY DTY 3/8"
 1733352 ANCHOR, 25LB PLOW
 1258987 BOOT, BATTERY CABLE 105C "T" RED 4/0
 140509 BOOT, ENG STARTER RED
 1772527 BRKR/ROCK, SGL-POLE C-SERIES DC IGPRT 50A LD
 1048743 CHAIN STOP, SS W/LANYARD (WINDLINE)
 1801007 CHAIN, HIGH TEST 1/4" X 100' GALV
 579573 CLIP, RETAINER BOAT HOOK 5/8" TO 1 1/4"
 1197938 DAVIT, ANCHOR W/ROLLER 260DA-99
 697508 EYE, BOW 3/8" X 2.75"
 978015 GUARD, HDPE 1/4" X 4" X 6" CHAIN (LOFRANS)
 1762154 HARNESS, 260DA-05 WINDLASS CABLE/DISCONNECT
 1762153 HARNESS, 260DA-05 WINDLASS CONTROL
 819334 HOOK, SNAP 5/16" X 3 1/8" SS
 1746896 LABEL, DANGER STAY CLEAR OF MOVING PARTS
 805499 LANYARD, CABLE ANCHOR 1/8" X 16" SS
 1485754 PANEL, WINDLASS SWITCH CNTRL BLK FOIL
 1473040 PLATE, BACKING UNIVERSAL 3/16"
 644609 SOLENOID, MAGNET LATCHING 12V 100A/500A W/HDW
 651869 SOLENOID, MAGNET LATCHING LEAD ONLY
 757765 WINDLASS FOOTSWITCH, HVY DTY W/SAFTY CVR WHT
 1788185 WINDLASS SOLENOID, LOFRANS CONTROL BOX 05
 1849144 WINDLASS, ASTER 500 W/2 FOOT SW & SOLENOID
 1727010 WINDLASS, RP/CHN MARLINI LO-PRO W/LONGSTUD

C E OPTION GROUP

256693 CLAMP, HOSE #24 1"-2" SS .505
 723742 COVER, CLAMP END PROT .045" X .465-1/2" RED
 1788085 FIRE EXT SYS, FM200 250CFGAS/DSL-MAN/AUTO/CON
 1772698 FOAM, P/C 260DA-05 CE CONV ENG HATCH 5-PC
 1764898 FOAM, P/C 260DA/270AJ-05 CE CONV BILGE BLKHD
 123844 HOSE, SANI/SMOOTH WALL 1.5"
 1745514 LABEL, PREVENT DISCHARGE OF POLLUTANTS
 1691479 MANUAL, OWNERS - SEA RAY INT'L 12-LANGUAGE
 1784460 PLATE, CE OPT C:260DA/10PERSON/950KG
 529016 PUMP, BILGE 16GPM MANUAL TWO POS
 801563 PUMP, BILGE MANUAL PICKUP/STRAINER
 1389402 STOVE, BUTANE SGL BURNER W/GLS LID/POT HLD CE

2.2 TO 1 BRAVO 3 HIGH ALTITUDE GEAR RATIO

1778015 OUTDRIVE UNIT, MERC BRAVO III 2.20:1 '05

2.43 TO 1 BRAVO 3 HIGH ALTITUDE GEAR RATIO

1778005 OUTDRIVE (HI-ALT), MERC BR-III 2.43:1 '05

COLORED HULL

1756555 DECAL, "SUNDANCER" DKBL/SLVR MET
 1799781 GEL COAT, NEW PEWTER VALSPAR
 1355338 PAINT, BOTTOM BLACK HYDROCOAT
 868893 PAINT, PRIMER SANDLESS #6999
 1757028 TAPE, M/S 4"W/3/4" VOID WHT/SLVR MET

VACUUM FLUSH HEAD W/ DIRECT OVER BOARD INTL

531566 ELBOW, BRZ 90DEG 1.5"MPT X 1.5" BARB
 846899 HOSE, SANI 1.5" PREMIUM RBR BLK
 1745156 LABEL, NOTICE OVERBOARD DISCHARGE (LEXAN)
 1335223 PANEL, 240DA-00 VACUFLUSH DIRECT OVRBD DIST
 518456 SEACOCK, BRZ 1.5" W/O TAILPIECE
 1302116 SWITCH, SEACOCK INTERLOCK W/60" LEADS/CONN
 579870 THRU-HULL, BRZ 1.5" W/O NUT
 1798858 VACUUM GEN, DIRECTOVRBD W/SEACKS/W/SHTDWN RELY

ALCOHOL / ELEC.STOVE- 120V/60 (1 BURNER)

144899 BOX, PVC SWITCH BOX
 1776973 BRKR/ROCK, SGL-POLE AC/DC HORZ UP LUG 10A WHT
 135228 CABLE, MARINE STRANDED 14/3 BLK/GRN/WHT
 156885 CONN, NON-MET BOAT CABLE 0.30 TO 0.60 DIA
 144907 COVER PLATE, SWITCH BOX BLUE PVC
 1745157 LABEL, FUEL RECOMMENDATION
 1743616 LABEL, UNPLUG SHORE POWER WARNING
 1763796 RAIL, STOVE 1-BURNER ALCOHOL
 729954 STOVE, ALC/ELEC 1-BURNER W/BLK GLASS LID 110V

ALCOHOL / ELEC.STOVE- 220V/50 (1 BURNER)

144899 BOX, PVC SWITCH BOX
 353326 BRKR/ROCK, SGL-POLE AC/DC HORZ 5A WHT
 1776961 BRKR/ROCK, SGL-POLE AC/DC HORZ UPT LUG 5A WHT
 1646900 CABLE, MARINE UL BOAT 14/3 EURO
 156885 CONN, NON-MET BOAT CABLE 0.30 TO 0.60 DIA
 144907 COVER PLATE, SWITCH BOX BLUE PVC
 1745157 LABEL, FUEL RECOMMENDATION
 1743616 LABEL, UNPLUG SHORE POWER WARNING
 1763796 RAIL, STOVE 1-BURNER ALCOHOL
 729962 STOVE, ALC/ELEC 1-BURNER W/BLK GLASS LID 220V

CANADIAN CONFORMITY STICKER

1741204 LABEL, STICKER 260DA CANADIAN CONFORMITY

INTERNATIONAL IN-SERVICE CHECKLIST

1880468 CHECK LIST, INT'L DISCLOSURE SPBT/SPCRUSR '06

INTERIOR CARPET RUNNERS

1850265 CANVAS, 260DA-07 CARPET RUNNER TST RV1

"275DA" MODEL DESIGNATORS

1734156 EMBLEM, MODEL DESG 275 URETHANE BLK