

**2002 270SD**

**PARTS MANUAL**

**270**

**SUNDECK®**



Sea Ray® Parts Manual, 2002 270 SUNDECK MRP # 1612837

Sea Ray Boats, 2600 Sea Ray Blvd., Knoxville, TN 37914. For information call 1-800-SRBOATS or fax 1-314-213-7878 (USA and International).

Internet address: <http://www.searay.com>

Note: Not all accessories shown in pictures or described herein are standard equipment or even available as options.

Options and features are subject to change without notice.

Confirm the availability of all accessories and equipment with an authorized Sea Ray® dealer.

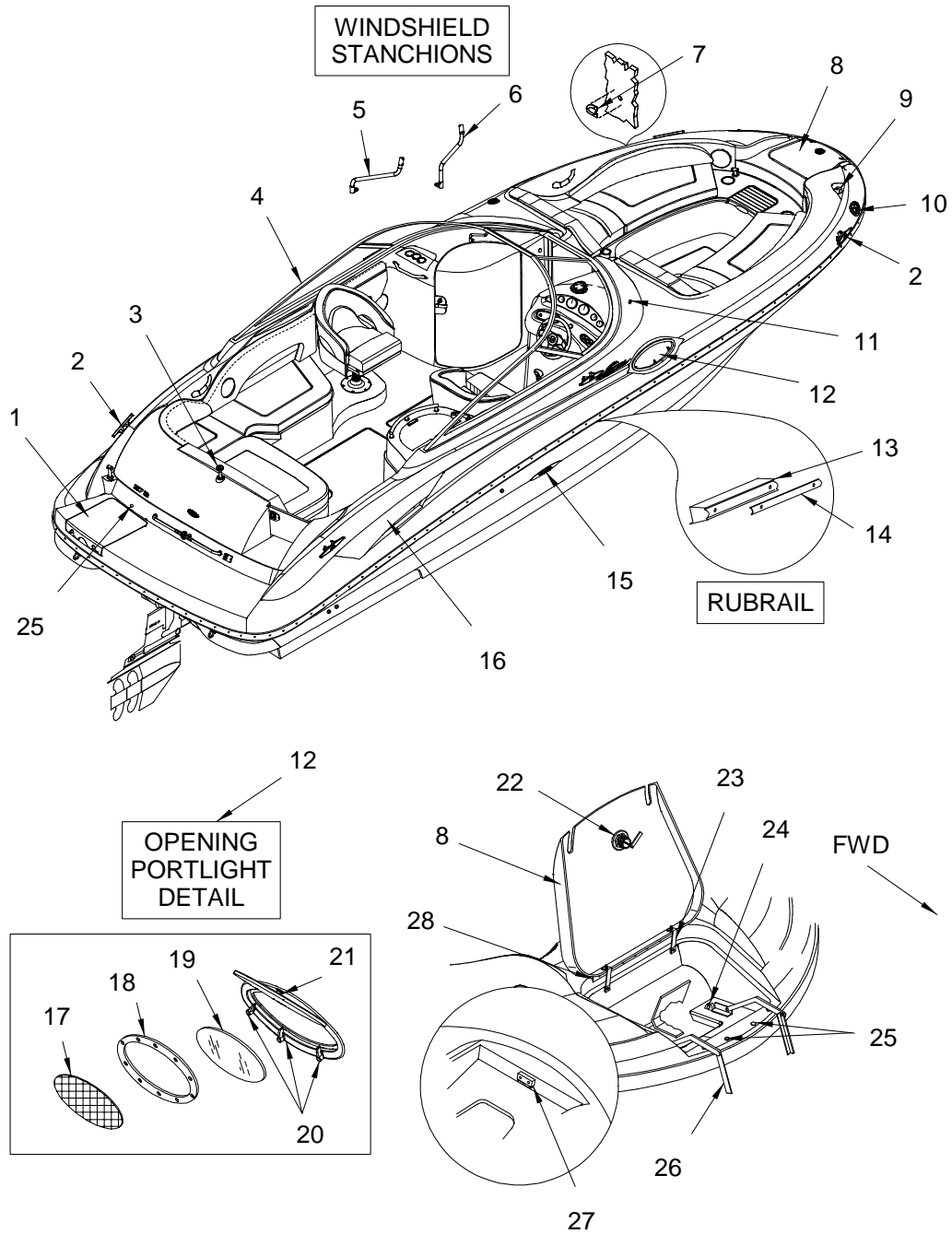
**2002 270 SUNDECK**  
**TABLE OF CONTENTS**



<u>STANDARD &amp; OPTIONAL LAYOUTS</u>	<u>PAGE</u>
EXTERIOR.....	1, 2
EXTERIOR (TRANSOM).....	3, 4
EXTERIOR (GRAPHICS).....	5, 6
COCKPIT (FORWARD PORT VIEW).....	7, 8
COCKPIT (PORT VIEW).....	9, 10
COCKPIT (AFT PORT VIEW).....	11, 12
COCKPIT (FORWARD STARBOARD VIEW).....	13, 14
COCKPIT (AFT STARBOARD VIEW).....	15, 16
COCKPIT (HELM).....	17
INTERIOR.....	18
HEAD.....	19, 20
BILGE.....	21, 22
STEERING SYSTEM.....	23
INSTRUMENT PANEL.....	24
SWITCH PANEL.....	25
FUEL SYSTEM.....	26, 27
COCKPIT (UPHOLSTERY).....	28, 29
CANVAS (BIMINI TOP).....	30, 31
CANVAS (CANVAS PACKAGE) OPTIONAL.....	32, 33
WATER SYSTEM.....	34, 35
SEWAGE SYSTEM.....	36
DRAINAGE SYSTEM.....	37, 38

<u>OPTIONS - PARTS LIST</u>	<u>PAGE</u>
PEARL / PLATINUM / BLACK.....	39
350 MAG MPI BR 3 ( 300 PHP ) MCM STERN DR.....	39
MX 6.2 MPI BR 3 (320 PHP) MCM STERN DRIVE.....	39
496 MAG BR 3 ( 375 PHP ) MCM STERN DRIVES.....	39
496 MAG HO BR 3 ( 425 PHP ) MCM STERN DRIVE.....	39
BOW RIDER FILLER CUSHION.....	39
BOW THRUSTER.....	39
FIRE SUPPRESSION SYSTEM - AUTOMATIC.....	39
COMPASS.....	39
BIMINI CANVAS PACKAGE.....	39
TRANSOM TRAILER TRIM SWITCH.....	39
TWO TONE GELCOAT GRAPHICS.....	39
C E OPTION GROUP.....	39
CORSA THRU-HULL EXHAUST SYSTEM.....	39
AUDIO UPGRADE PACKAGE SUBWOOFER,AMP & SPKRS.....	39

EXTERIOR



**EXTERIOR**

1	1612225	270SD 02,HATCH,SWIM LDR
2	1463470	CLEAT, 8.5" SEA RAY SS
	1473040	PLATE, BACKING UNIVERSAL 3/16"
3	1603398	LIGHT, NAV A/R STERN 72" FLDBLE 7DEG
	1628536	BULB, REPL FOR #1603398
	815720	LIGHT, BASE ROUND NAV STERN LIGHT CHR W/CONN
4	1588979	W/S, 270SD-02 CMPLT N/SUPPORTS
	1632827	W/S, 270SD-02 PRT FRNT
	1632835	W/S, 270SD-02 STB FRNT
	1632843	W/S, 270SD-02 CTR
	1632850	W/S, 270SD-02 HDWR KIT
5	1588987	SUPPORT, W/S 270SD-02 PORT
6	1588995	SUPPORT, W/S 270SD-02 STBD
7	126870	VENT, CLAMSHELL ROPE LCKR 1 5/8"X 1.5"
8	1612779	270SD 02,HATCH,R/L FRBGLS
9	1414895	LIGHT, NAV SIDE SS HORZ 12V
	1423946	BULB, REPL FOR #1414895 12V
10	1413475	HORN, DUAL BLK W/SPADE CONNECTORS SERIES 84
	1401736	HORN, GRILL DUAL SS OVERLAY SERIES 84
11	129791	WIPER ARM, 10.75"-15" BLACK
	129767	WIPER BLADE, 18" FLEX BLACK
	129684	WIPER MOTOR, 85 DEG
12	1453992	PORTLIGHT, OPENING ALL SS 3/8"-7/8" MOD REV1
	1331735	PORTLIGHT, GASKET ONLY (BOMAR)
	1314459	PORTLIGHT, GASKET SATURATED FOAM
13	1156215	RUBRAIL, PVC PEARL 13.5"(SS INSERT)
	1156223	RUBRAIL, PVC PEARL 17"(SS INSERT)
14	1095959	INSERT, RUB RAIL SS 3/4"X 10' (.062/304SS)
	1080100	INSERT, RUB RAIL SS 3/4"X 12' (.062/304SS)
15	1443183	EMBLEM, "SEA RAY" SCRIPT HULL LOGO CHR 13"
16	1587401	COVER, DR/ABS 270SD-02 DECK VENT PRL STBD
	1587393	COVER, DR/ABS 270SD-02 DECK VENT PRL PORT
17	1331313	PORTLIGHT, SCREEN 3/8"X 7/8"
18	1513183	TRIM RING, PORTLIGHT 3/8" SS
19	1331750	PORTLIGHT, LENS ONLY (BOMAR)
20	1107044	PORTLIGHT, HANDLES QUICKDOGS (BOMAR)
21	866434	KNOB, PORTLIGHT KNOB ONLY (BOMAR)
22	1428457	LATCH, FLUSH T-HNDL W/O LOCK BLK LONG CAM
23	156893	WEBBING, POLYPROPYLENE 1" BLACK
24	590646	CLIP, POLE STRG BLK - MAST LIGHT
25	274373	BUMPER, CANOE CLIP MED WHT
26	1155282	LADDER, SWIM 3-STEP POCKET PRL NYLON COATING
	1229350	LADDER, SWIM HDWR KIT FOR MRP #1155282/808782
	1229343	LADDER, SWIM BLOCK NYLON STOP
	1229335	LADDER, SWIM BRKT RH
	1229368	LADDER, SWIM BRKT LH
	1229384	LADDER, SWIM ARM RH
	1229376	LADDER, SWIM ARM LH
	1229400	LADDER, SWIM UPR SECTION
	1229418	LADDER, SWIM LWR SECTION
27	1223676	CLEAT, HDPE 190SDOB-99 ROPE LCKR PRL
28	844753	HINGE, SS CONT 2"X 15" W/1/8" PIN

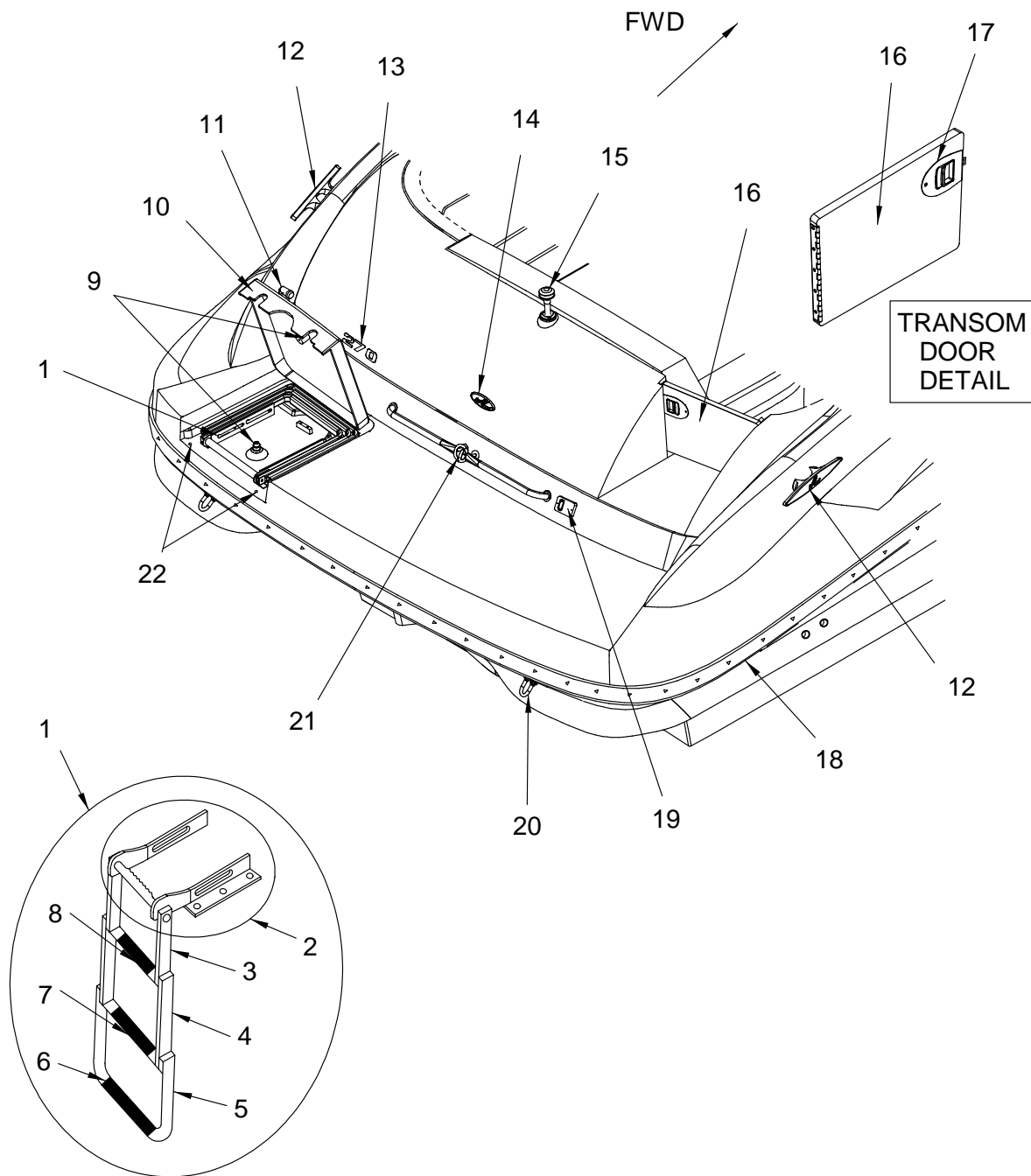
**NOT SHOWN DECALS/ LABELS**

711176	DECAL, PREMIUM VINYLESTER RESIN
1518737	DECAL, SEA RAY OWNERS CLUB (NBOA)
642108	DECAL, STRUCTURAL WARRANTY
996199	LABEL, ABYC MEMBERSHIP
1112879	LABEL, DANGER SHUT OFF ENG WHEN NEAR SWIMMERS
811000	LABEL, DANGER TRNSM DOOR (LEXAN)
129122	LABEL, NMMA CERTIFIED
852525	LABEL, SKI TOW ROPE BACKLASH

**NOT SHOWN**

618702	GASKET, 1"OD X 3/4"ID X 1/16"
1110733	EMBLEM, VACPAC SR LOGO W/ISO/E SML
1595073	VINYL FILM, 270SD-02 PLAS CVR W/VENTS
575548	VINYL FILM, POLY BAG 40"X 72"X 4MM

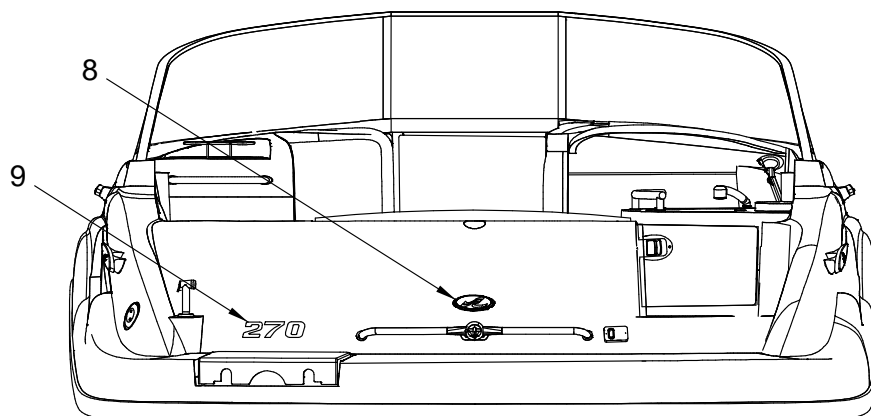
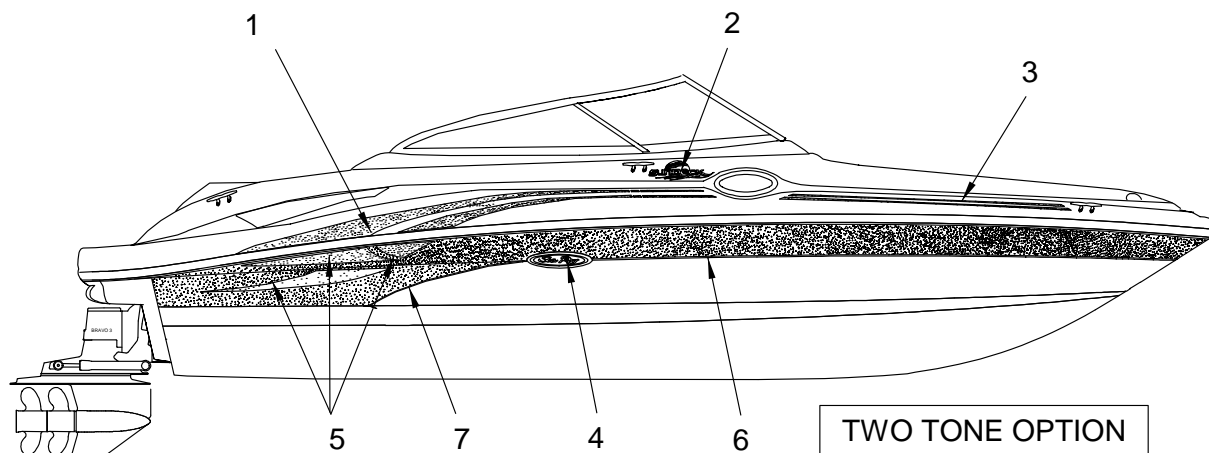
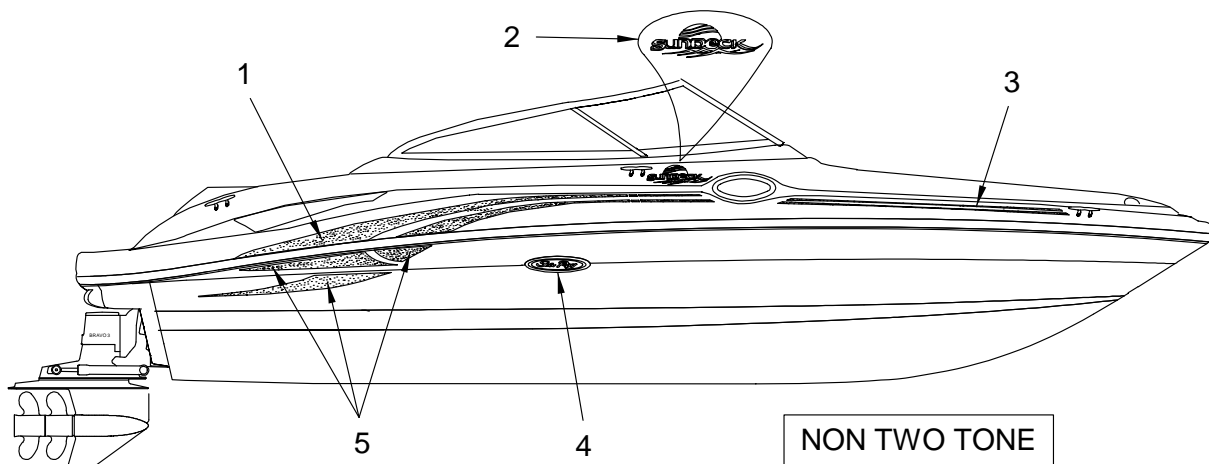
EXTERIOR (TRANSOM)



## EXTERIOR (TRANSOM)

- 1 941344 LADDER, SWIM 3-STEP SS CONCEALED REV GUDGNS
- 1225580 LADDER, SWIM HDWR KIT FOR MRP #0941344
- 2 973495 LADDER, SWIM SLIDING GUDGEON ASSY
- 3 1225770 LADDER, SWIM TOP "U"
- 4 1225762 LADDER, SWIM MID "U"
- 5 1225788 LADDER, SWIM BTM "U"
- 6 909325 LADDER, TREAD 12 7/8"
- 7 909317 LADDER, TREAD 11.75"
- 8 973446 LADDER, TREAD 10 3/8"
- 9 1118314 CATCH, RBR SUNPAD HOLD-DOWN
- 10 1612225 270SD 02,HATCH,SWIM LDR
- 844753 HINGE, SS CONT 2"X 15" W/1/8" PIN
- 1112879 LABEL, DANGER SHUT OFF ENG WHEN NEAR SWIMMERS
- 1573112 LABEL, LADDER MAINTENANCE
- 11 1259084 SHOWER, SPRAY NOZZLE W/8"SS HOSE RV1
- 914143 SHOWER, SPRAY NOZZLE ONLY
- 914150 SHOWER, HOSE 8' SS
- 12 1463470 CLEAT, 8.5" SEA RAY SS
- 1473040 PLATE, BACKING UNIVERSAL 3/16"
- 13 1593052 EMBLEM, MODEL DESG 270 TRNS URETHANE BLK W/CH
- 14 1443191 EMBLEM, S/R WAVE 5" OVAL CHR TRNSM
- 15 1603398 LIGHT, NAV A/R STERN 72" FLDABLE 7DEG
- 1628536 BULB, REPL FOR #1603398
- 815720 LIGHT, BASE ROUND NAV STERN LIGHT CHR W/CONN
- 16 1584663 DOOR, HDPE 270SD-02 TRNSM W/HINGE PRL
- 811000 LABEL, DANGER TRNSM DOOR (LEXAN)
- 17 1611425 LATCH, #7752 OMNI SPRNG 1/2" N/ LCK
- 1612357 PLATE, STRIKER MOBELLA OMNI 3/4" & 1/2" BRS
- 1612365 CATCH, REFER TO MRP#1684899 OR 1684898
- 18 1156215 RUBRAIL, PVC PEARL 13.5'(SS INSERT)
- 1156223 RUBRAIL, PVC PEARL 17'(SS INSERT)
- 1095959 INSERT, RUB RAIL SS 3/4"X 10' (.062/304SS)
- 1080100 INSERT, RUB RAIL SS 3/4"X 12' (.062/304SS)
- 19 747261 SWITCH, TILT EXTERNAL MOUNT  
(TRANSOM TRAILER TILT SWITCH OPTION)
- 20 126599 EYE, STERN 1/2"X 3 7/16" W/BACKING PLATE
- 1473040 PLATE, BACKING UNIVERSAL 3/16"
- 21 883421 RAIL, STERN 190/210BR/CB W/SKI TOW POLISHED
- 852525 LABEL, SKI TOW ROPE BACKLASH
- 22 274373 BUMPER, CANOE CLIP MED WHT

EXTERIOR (GRAPHICS)



**EXTERIOR (GRAPHICS)**

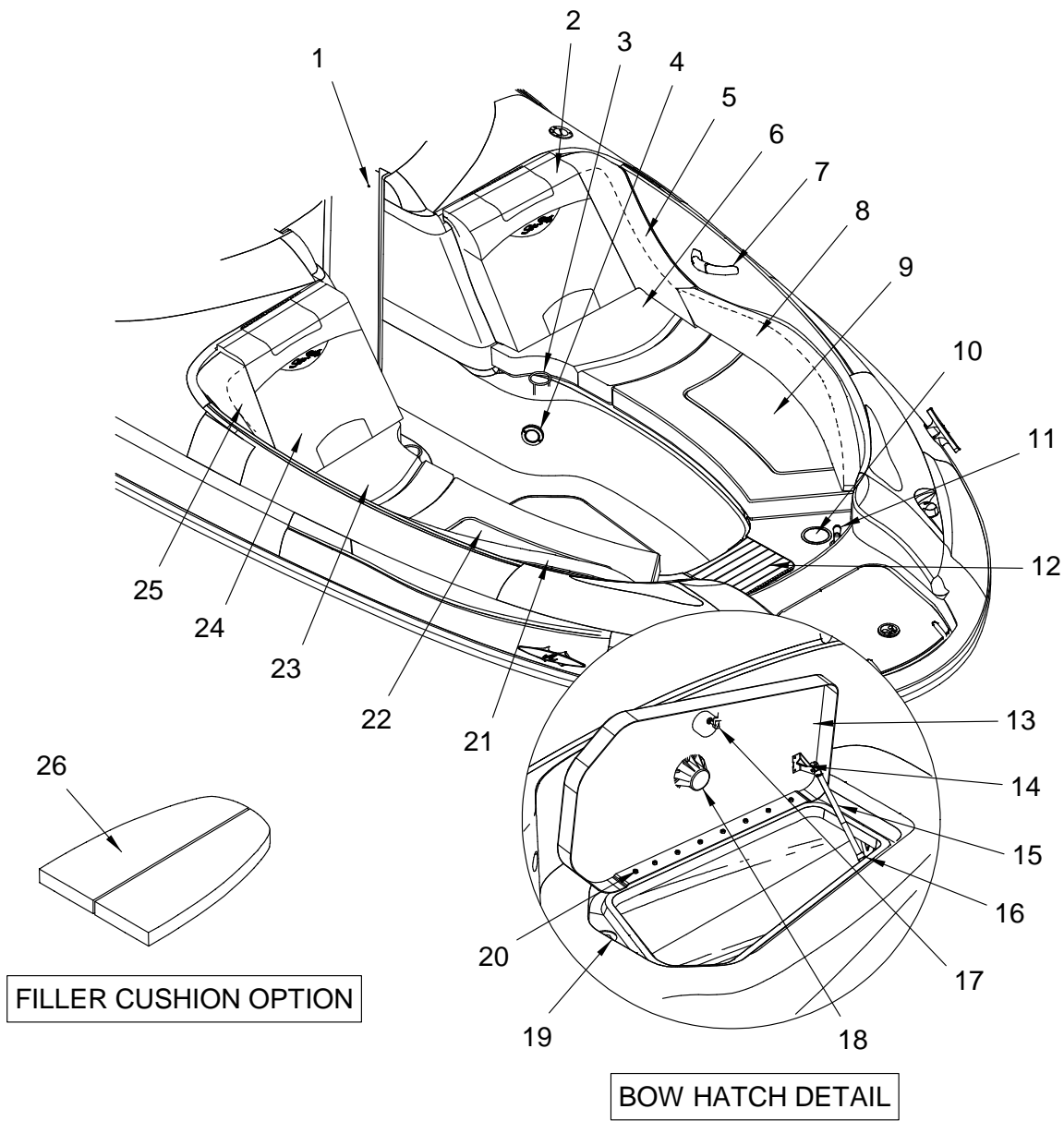
- 1 1597384 TAPE, APP 270SD-02 BLK/SHOYST STB DECK
- 1597392 TAPE, APP 270SD-02 GLXYBL/SHOYST STB DECK
- 1597400 TAPE, APP 270SD-02 HNTRGR/SHOYST STB DECK
- 1615665 TAPE, APP 270SD-02 GUNGRY/UMLTANT STB DECK
- 1597418 TAPE, APP 270SD-02 BLK/SHOYST PRT DECK
- 1597426 TAPE, APP 270SD-02 GLXYBL/SHOYST PRT DECK
- 1597434 TAPE, APP 270SD-02 HNTRGR/SHOYST PRT DECK
- 1615673 TAPE, APP 270SD-02 GUNGRY/UMLTANT PRT DECK
- 2 869529 TAPE, LOGO SUNDECK BLK/GLD
- 1176072 TAPE, LOGO SUNDECK GLXYBL/SHOYST
- 1176080 TAPE, LOGO SUNDECK HNTRGR/SHOYST
- 1615681 TAPE, LOGO SUNDECK GUNGRY/UMLTANT
- 3 1597061 TAPE, M/S 1"W/1/4"VOID BLK/SHOYST
- 1597079 TAPE, M/S 1"W/1/4"VOID GLXYBL/SHOYST
- 1597087 TAPE, M/S 1"W/1/4"VOID HNTRGR/SHOYST
- 1615632 TAPE, M/S 1"W/1/4"VOID GUNGRY/UMLTANT
- 4 1443183 EMBLEM, "SEA RAY" SCRIPT HULL LOGO CHR 13"
- 5 1597095 TAPE, APP 270SD-02 BLK/SHOYST STB HULL
- 1597103 TAPE, APP 270SD-02 GLXYBL/SHOYST STB HULL
- 1597111 TAPE, APP 270SD-02 HNTRGR/SHOYST STBD HULL
- 1615640 TAPE, APP 270SD-02 GUNGRY/UMLTANT STB HULL
- 1597129 TAPE, APP 270SD-02 BLK/SHOYST PRT HULL
- 1597137 TAPE, APP 270SD-02 GLXYBL/SHOYST PRT HULL
- 1597145 TAPE, APP 270SD-02 HNTRGR/SHOYST PRT HULL
- 1615657 TAPE, APP 270SD-02 GUNGRY/UMLTANT PRT HULL
- 6 1597491 TAPE, SOLID 3/4" UM LT ANTELOPE
- (TWO TONE PACKAGE/ALL COLORS)
- 7 1609510 TAPE, APP 270SD-02 GUNGRY/UMLTANT LWR STB HUL
- (TWO TONE PACKAGE/ALL COLORS)
- 1609536 TAPE, APP 270SD-02 GUNGRY/UMLTANT LWR PRT HUL
- (TWO TONE PACKAGE/ALL COLORS)
- 8 1443191 EMBLEM, S/R WAVE 5" OVAL CHR TRNSM
- 9 1593052 EMBLEM, MODEL DESG 270 TRNS URETHANE BLK W/CH

**GELCOATS**

- 1425347 GEL COAT, ENVIROTECH SR BILGE PEARL
- 1136092 GEL COAT, PEARL PX/TL
- 1135565 GEL COAT, GALAXY BLUE TL/PX
- (TWO TONE OPTION)
- 1110287 GEL COAT, HNTR GRN TL/PX
- (TWO TONE OPTION)
- 793091 GEL COAT, JET BLK
- (TWO TONE OPTION)



COCKPIT (FORWARD PORT VIEW)

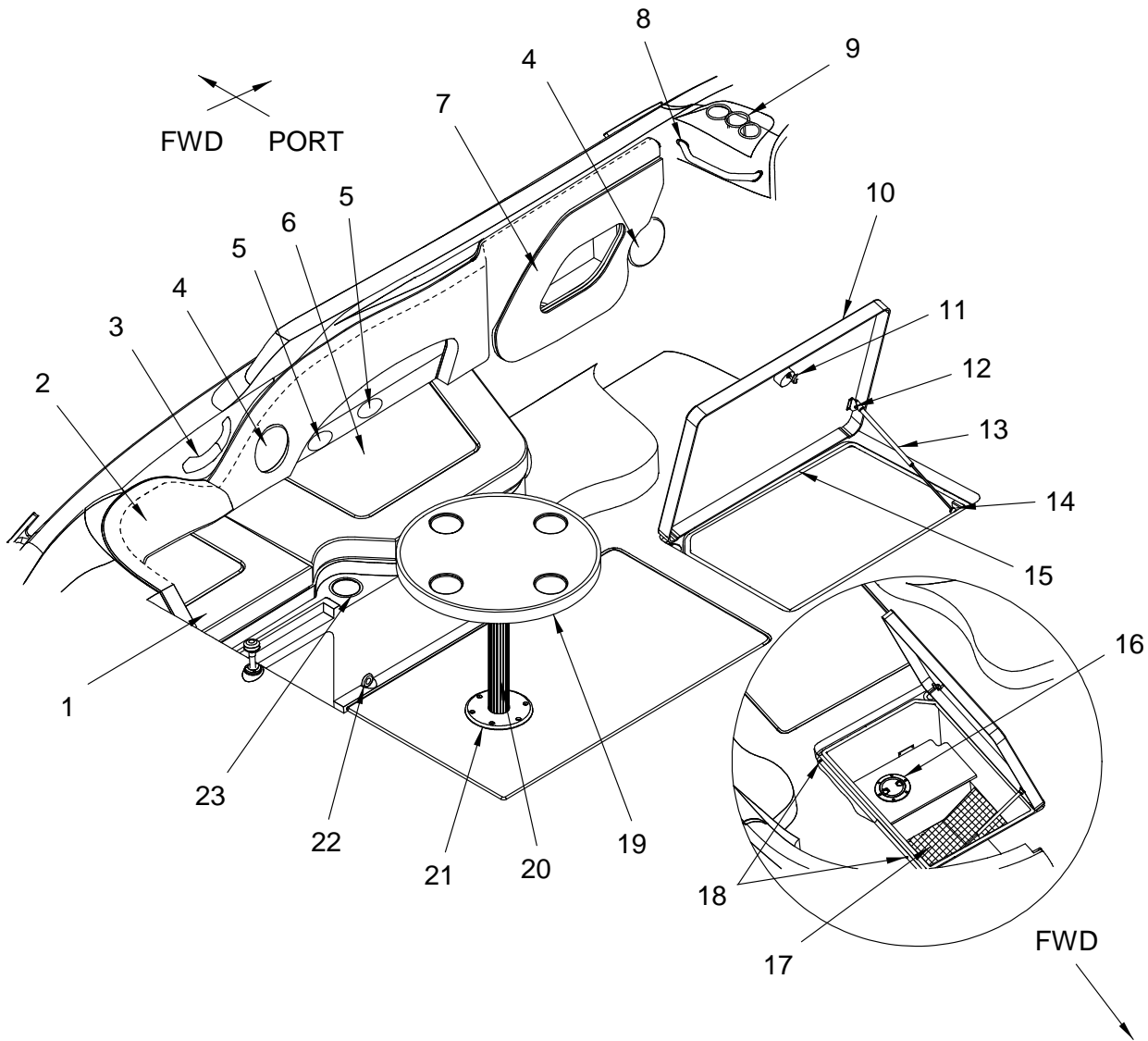


---

**COCKPIT (FORWARD PORT VIEW)**

1	663708	BUMPER, CLEAR .020" THICK
2	1611755	270SD 02,B/R,BOW FLPUP PRT
	1578434	BOLSTER, 290BR-00 B/R PORT POLY
	1596444	HINGE, SS CONT 2"X 19" SLOTTED W/3/16"PIN
3	1502046	HOLDER, DRINK SS SGL 3"
4	1227412	LIGHT, NAV STERN FLUSH MT RND CHR/BRS N/STUDS
	901199	BULB, STERN NAV LIGHT REPL #137406-1227412
5	1611896	270SD 02,BLSTR,BOW PORT CRNR HI#
6	1611920	270SD 02,CUSH,BOW PORT AFT HI#
7	1086362	HANDLE, GRAB PRL CUSTOM SR
8	1611979	270SD 02,BLSTR,BOW PORT HI#
9	1611953	270SD 02,CUSH,BOW PORT FWD HI#
	1596378	FLOORING, PVC MAT 270SD-02 BOW PORT STRG WHT
10	1156009	DRINKHOLDR, PLAS 4"X 3" MUG SZ PRL W/NPL
11	1259084	SHOWER, SPRAY NOZZLE W/8"SS HOSE RV1
	914143	SHOWER, SPRAY NOZZLE ONLY
	914150	SHOWER, HOSE 8' SS
12	1156520	LID, HDPE 190SDOB/210SD-99 COOLER W/HINGE PRL
	1036573	COOLER, 20"X 11"X 10" FOAMED MOLDED
13	1612787	270SD 02,HATCH,BOW STRG FRBGLS
	1596725	FLOORING, PVC MAT 270SD-02 BOW HATCH STRG WHT
14	732792	BRACKET, SS GAS CYL 90DEG 2.062" W/STUD
15	1424571	CYLINDER, GAS SS 50PSI 10"EXT X 7"COMP
16	634592	BRACKET, SS GAS CYL FLAT W/BALL STUD
17	1428457	LATCH, FLUSH T-HNDL W/O LOCK BLK LONG CAM
18	876961	BASE, LEG/POST FLUSH MT ALUM
19	1098417	THRU-HULL, PLAS 1 1/8" PRL
20	1110543	HINGE, SS CONT 2"X 24"
21	1612050	270SD 02,BLSTR,BOW STBD HI#
22	1612019	270SD 02,CUSH,BOW STBD FWD HI#
23	1612035	270SD 02,CUSH,BOW STBD AFT HI#
24	1612092	270SD 02,B/R,BOW FLPUP STB
	1578426	BOLSTER, 290BR-01 B/R STBD POLY
	1596444	HINGE, SS CONT 2"X 19" SLOTTED W/3/16"PIN
25	1612076	270SD 02,BLSTR,BOW STBD CRNR HI#
26	1611995	270SD 02,CUSH,BOW SUNPAD FILLER HI# (FILLER CUSHION OPTION)
	1612001	270SD 02,CUSH SKIN,BOW SUNPAD FILLER HI# (FILLER CUSHION OPTION)

COCKPIT (PORT VIEW)



**COCKPIT (PORT VIEW)**

1	1611607	270SD 02,CUSH,CKPT PORT LOUNGE AFT HI#
2	1611524	270SD 02,BLSTR,CKPT PORT LOUNGE AFT HI#
3	1086362	HANDLE, GRAB PRL CUSTOM SR
4	1440536	SPEAKER, DUAL CONE EXT 6.5" W/CVR
	1513951	GRILL, SPEAKER EXT 6.5" WHT CM1602
5	1156017	DRINKHOLDR, PLAS 4"X 3" MUG SZ PRL
6	1611649	270SD 02,CUSH,CKPT PORT LOUNGE FWD HI#
	609883	CLEAT, PLAS 3/4"X 1"X 4" GREY
	1596410	FLOORING, PVC MAT 270SD-02 CKPT PORT STRG WHT
7	1612134	270SD 02,PANEL,CKPT PORT SIDE FWD LWR HI#
8	777243	RAIL, GRAB 12" STREAMLINE W/FLANGES 95 (304)
9	1502061	HOLDER, DRINK SS 3-RING 3"
10	1612233	270SD 02,HATCH,SKI STRG
	590646	CLIP, POLE STRG BLK - MAST LIGHT
11	1428457	LATCH, FLUSH T-HNDL W/O LOCK BLK LONG CAM
	986943	(CONTACT PLANT FOR HULL IDENTIFICATION NUMBER) LATCH, FLUSH D-RING W/O LOCK BLK W/3" SHFT/CAM (CONTACT PLANT FOR HULL IDENTIFICATION NUMBER)
12	817676	BRACKET, SS LIFT CYL 90DEG 0.70" W/STUD RT
13	1385038	CYLINDER, GAS SS 60PSI 20"EXT X 12"COMP
14	634592	BRACKET, SS GAS CYL FLAT W/BALL STUD
15	1062348	HINGE, SS CONT 1.5"X 30"
16	983692	ACCESS PLATE, POLYPROP W/ O-RING 4" WHT
17	1596717	FLOORING, PVC MAT 270SD-02 SKI STRG WHT
18	274373	BUMPER, CANOE CLIP MED WHT
19	1148519	TABLE, T/F CKPT ROUND PRL 99
	876979	BASE, LEG/POST SURF MT ALUM
20	1623883	POST, TABLE LEG 2.25"X 27.25" ANOD TAPER (HULL# 1008->UP)
	929836	POST, TABLE LEG 24.875" ANOD FLUTED (HULL# 1003->1007)
21	876961	BASE, LEG/POST FLUSH MT ALUM
22	1392794	THRU-HULL, PLAS 1 1/8" TUBE X 90DEG PRL
23	1156009	DRINKHOLDR, PLAS 4"X 3" MUG SZ PRL W/NPL

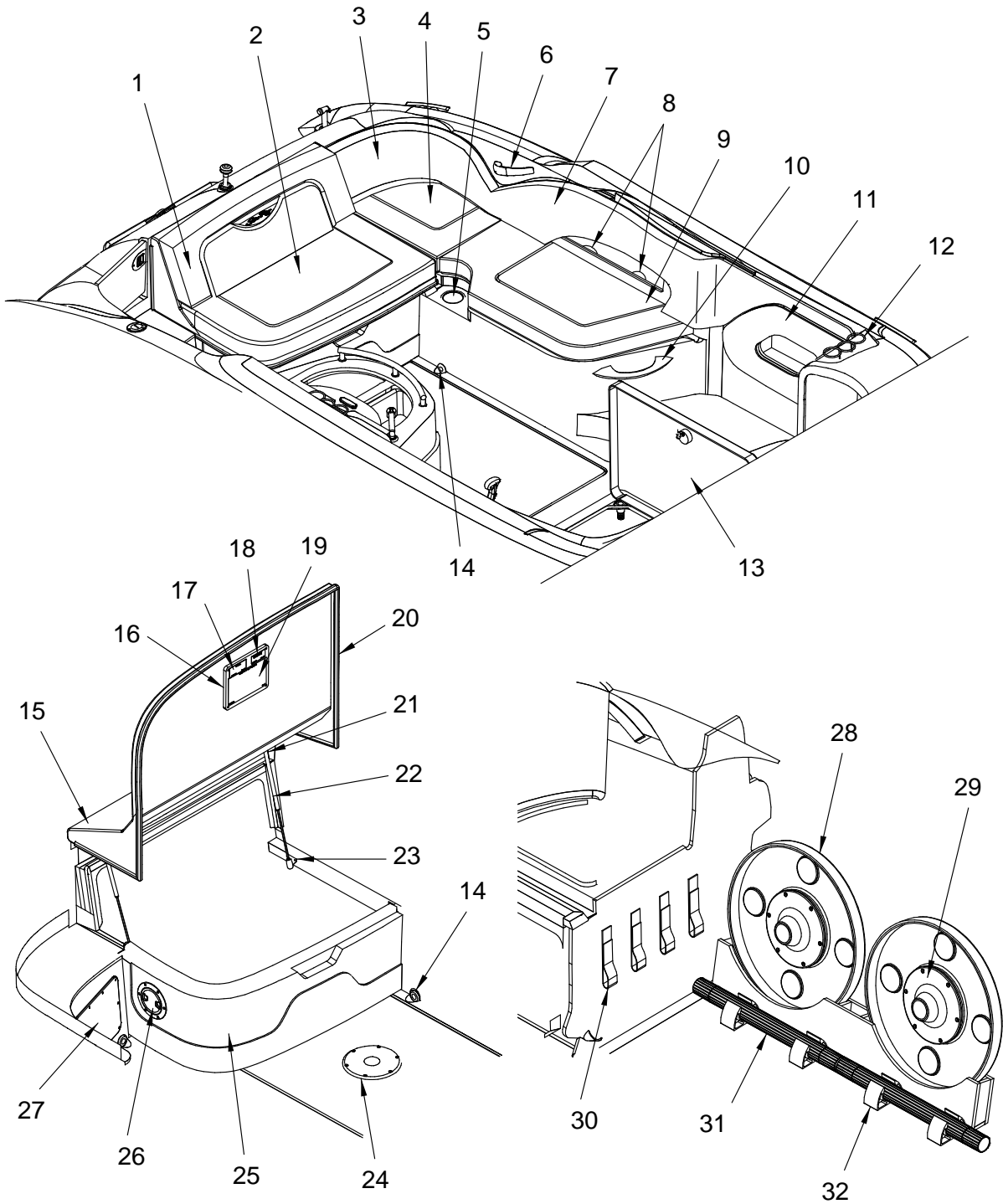
**OWNERS PACKET**

1603562	PACKET, MULTI-INFO 270SD-02 (MULTI-INFO PACKET CONTAINS ITEMS BELOW)
1253616	MANUAL, OWNERS - INT'L 12-LANGUAGE (CE OPTION)
1093988	PACKET, OWNERS 2-COMP LEGAL SIZE CANVAS BLK
1612837	MANUAL, PARTS 02 270SD
1611185	SPEC SHEET, 02, 270SD
1626811	MANUAL, OWNERS - 270SD-02
865469	MANUAL, SPORTFISH/CRUISERS/YACHTS
605717	CATALOG, SEA RAY WEARABLES
704502	CARD, EXPRESS LIMITED TRANSFERABLE WARRANTY
764316	DOCUMENT, CANVAS LTD WARRANTY
471219	BOOKLET, "HOW TO KEEP STAINLESS STAINLESS"
865204	GUIDE, ABS/ACRYLIC CLEANING/REPAIR
929828	CARD, BOATING GUIDE
954164	VIDEO, 97 OWNER ORIENTATION SPBOAT NTSC
833749	FUSE BOX, SPARE W/6 ATC BLADE STYLE
140061	PLUG, DRAIN PLUG SNAPTITE 1/2"
1491828	MANUAL, "KNOW MORE ABOUT IT"

**NOT SHOWN**

770479	BRACKET, SS GAS CYL 90DEG 1" W/STUD
1249770	PLATE, ALUM 3/16"X 2"X 3" HOLES TAPPED
129189	ANGLE, ALUM 1/8"X 1.5"X 1.5"X 16'
991612	ANGLE, PVC 2"X 2"X 1/4"X 10' WHT
744201	TUBING, POLY STYRENE 4.25"X 1.5"
198945	VELCRO, DUAL LOCK CLR 2"X 50YD W/ADH BACK
618025	VINYL FILM, MINI GRIP BAG 5" X 8"

COCKPIT (AFT PORT VIEW)



**COCKPIT (AFT PORT VIEW)**

1	1612266	270SD 02,B/R,MTRBX
2	1612118	270SD 02,CUSH,MTRBX HI#
3	1611524	270SD 02,BLSTR,CKPT PORT LOUNGE AFT HI#
4	1611607	270SD 02,CUSH,CKPT PORT LOUNGE AFT HI#
5	1156009	DRINKHOLDR, PLAS 4"X 3" MUG SZ PRL W/NPL
6	1086362	HANDLE, GRAB PRL CUSTOM SR
7	1612142	270SD 02,PANEL,CKPT PORT SIDE LOUNGE UPR HI#
8	1156017	DRINKHOLDR, PLAS 4"X 3" MUG SZ PRL
9	1611649	270SD 02,CUSH,CKPT PORT LOUNGE FWD HI#
	609883	CLEAT, PLAS 3/4"X 1"X 4" GREY
10	1396712	HANDLE, GRAB PRL STRAIGHT REV1
11	1612134	270SD 02,PANEL,CKPT PORT SIDE FWD LWR HI#
12	1502061	HOLDER, DRINK SS 3-RING 3"
13	1612233	270SD 02,HATCH,SKI STRG
14	1392794	THRU-HULL, PLAS 1 1/8" TUBE X 90DEG PRL
15	1612241	270SD 02,CVR,MTRBX
	936138	HINGE, SS CONT 2"X 38" SLOTTED
16	1199462	PANEL, P/B 260DA-99 WARNING TAG
17	852632	LABEL, WARNING LEAKING FUEL
18	852624	LABEL, STAY CLEAR OF MOVING PARTS
19	258509	LABEL, DISCHARGE OF OIL (LEXAN)
	934539	LABEL, PREVENT DISCHARGE OF POLLUTANTS (CE OPTION)
20	1156355	TRIM, EDGE PEARL MOTOR BOX SMALL
21	634550	BRACKET, SS GAS CYL 90DEG L-BRKT W/BALL LONG
22	1396860	CYLINDER, GAS SS 80PSI 20"EXT X 12"COMP
23	634592	BRACKET, SS GAS CYL FLAT W/BALL STUD
24	876961	BASE, LEG/POST FLUSH MT ALUM
25	1612258	270SD 02,SKIRT,MTRBX
26	1155993	ACCESS PLATE, POLYPROP W/O-RING 4" PEARL
	551689	LABEL, WARNING PYHY FIRE EXT PRT (LEXAN)
27	1595537	COVER, HDPE 270SD-02 ENTRYWAY STEP ACCESS
28	1148519	TABLE, T/F CKPT ROUND PRL 99
29	876979	BASE, LEG/POST SURF MT ALUM
30	855809	ROPE, DOCKLINE STRAP WHT W/HDWR (SHORT STYLE)
31	1623883	POST, TABLE LEG 2.25"X 27.25" ANOD TAPER (HULL# 1008->UP)
	929836	POST, TABLE LEG 24.875" ANOD FLUTED (HULL# 1003->1007)
32	1500552	CLIP, TABLE LEG 60MM TUBE BLK

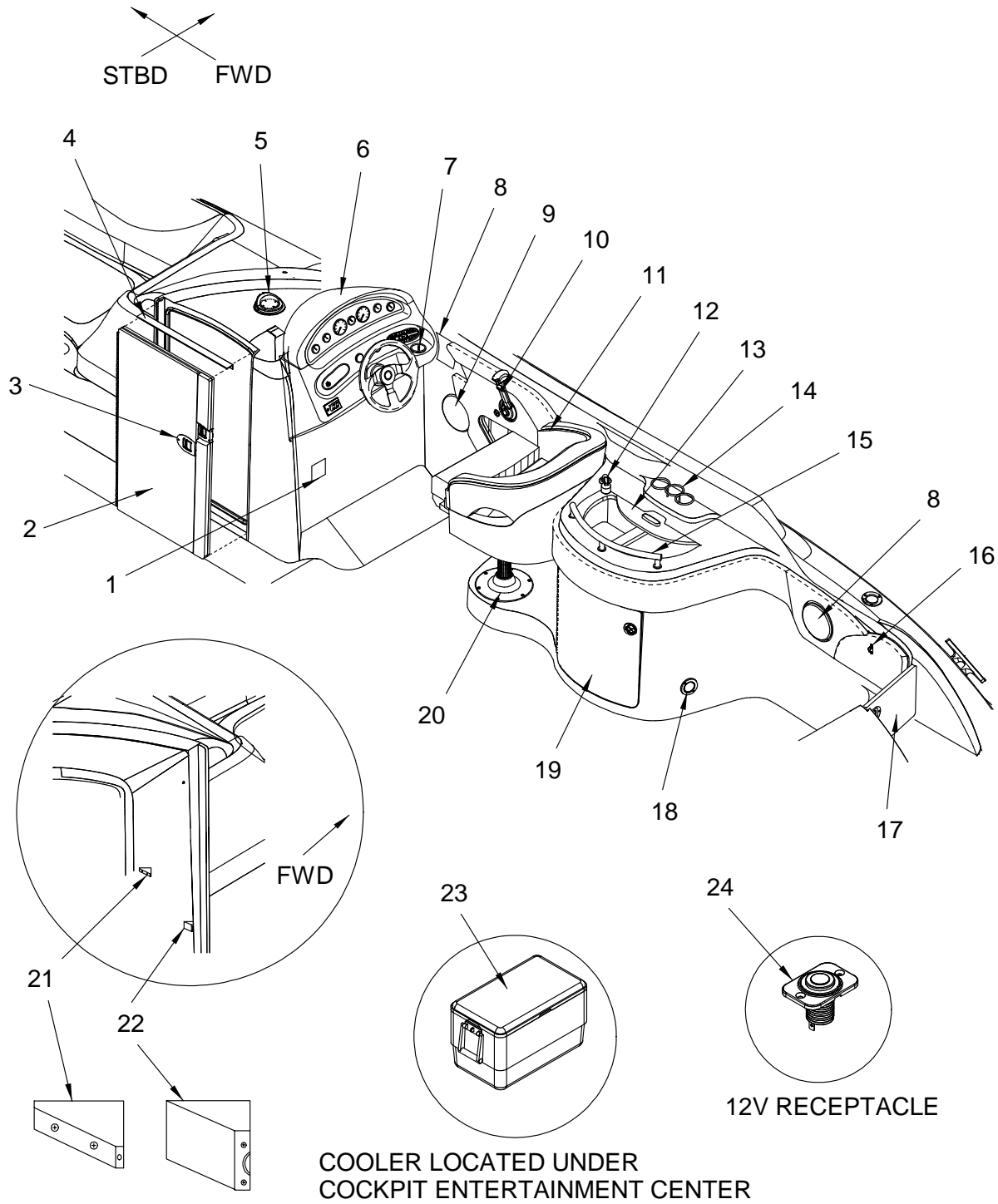
**FOAM**

1593094	FOAM, P/C 270SD-02 CONV BILGE 2-PC SET
1597046	FOAM, P/C 270SD-02 CONV BILGE CE OPT 2-PC SET (CE OPTION)
1597962	FOAM, P/C 270SD-02 CONV BILGE MTRBX TOP
1598010	FOAM, P/C 270SD-02 CONV BILGE MTRBX SKIRT

**NOT SHOWN LABELS**

1113562	LABEL, WARNING DO NOT STAND/WALK THIS AREA
---------	--

COCKPIT (FORWARD STARBOARD VIEW)



**COCKPIT (FORWARD STARBOARD VIEW)**

- |    |         |   |
|----|---------|---|
| 1  | 125062  | PLATE, NMMA YACHT CERT GAS  |
|    | 1580026 | PLATE, CE OPT C:12PERSON/1360KG<br>(CE OPTION)                              |
| 2  | 1584994 | DOOR, HDPE 270SD-02 STRG WALK-THRU W/HINGE                                  |
| 3  | 1611490 | LATCH, #7756 OMNI FLAT 1/2" N/ LCK  |
|    | 1612357 | PLATE, STRIKER MOBELLA OMNI 3/4" & 1/2" BRS                                 |
|    | 1612365 | CATCH, REFER TO MRP#1684899 OR 1684898                                      |
| 4  | 1595792 | TRIM, PLAS ANGLE 7/8" X 1.5" TAPERED PRL                                    |
| 5  | 496521  | COMPASS, FLUSH MT 3 7/8" BLK HOUSE/BLUE LIGHT<br>(COMPASS OPTION)           |
| 6  | 1605120 | VISOR, DASH 270SD-02 KHAKI<br>(BLUE/GREEN/BLACK PACKAGE)                    |
|    | 1586452 | VISOR, DASH 270SD-02 FLAX<br>(PLATINUM PACKAGE)                             |
| 7  | 1156009 | DRINKHOLDR, PLAS 4" X 3" MUG SZ PRL W/NPL                                   |
| 8  | 722041  | LABEL, DANGER/WARNING COMBO CNTRL STA                                       |
| 9  | 1440536 | SPEAKER, DUAL CONE EXT 6.5" W/CVR   |
|    | 1513951 | GRILL, SPEAKER EXT 6.5" WHT CM1602  |
| 10 | 1458900 | CONTROL, REM THRTL/SHIFT CLSC 4000 W/CONN                                   |
| 11 | 1605484 | BKT SEAT, SPBT-02 W/THGHRISE VAN/GLDRSH<br>(BLUE/GREEN/BLACK PACKAGE)       |
|    | 1633502 | BKT SEAT, SPBT-02 W/THG VAN/GLDRSH FRAMESKIN<br>(BLUE/GREEN/BLACK PACKAGE)  |
|    | 1633510 | BKT SEAT, SPBT-02 W/THG VAN/GLDRSH BTM CUSH<br>(BLUE/GREEN/BLACK PACKAGE)   |
|    | 1633528 | BKT SEAT, SPBT-02 W/THG VAN/GLD BTM CUSH SKIN<br>(BLUE/GREEN/BLACK PACKAGE) |
|    | 1633544 | BKT SEAT, SPBT-02 W/THG LEG ROLL VAN/GLDRSH<br>(BLUE/GREEN/BLACK PACKAGE)   |
|    | 1633551 | BKT SEAT, SPBT 02 W/THG VAN/GLD LEG ROLL SKIN<br>(BLUE/GREEN/BLACK PACKAGE) |
|    | 1602440 | BKT SEAT, SPBT-02 W/THGHRISE PLTNM/PWTR MIST<br>(PLATINUM PACKAGE)          |
|    | 1633536 | BKT SEAT, SPBT-02 W/THG PLTN/CHN FRAME SKIN<br>(PLATINUM PACKAGE)           |
|    | 1633486 | BKT SEAT, SPBT-02 W/THG PLT/CHN BTM CUSH<br>(PLATINUM PACKAGE)              |
|    | 1633494 | BKT SEAT, SPBT-02 W/THG PLTN/CHN BTM CUSH SKN<br>(PLATINUM PACKAGE)         |
|    | 1611714 | BKT SEAT, SPBT-02 W/THG LEG ROLL PLTNM/CHNTLY<br>(PLATINUM PACKAGE)         |
|    | 1611730 | BKT SEAT, SPBT 02 W/THG PLT/CHN LEG ROLL SKIN<br>(PLATINUM PACKAGE)         |
| 12 | 1408269 | SHOWER, SPRAY NOZZLE ANGLE BASE BLK W/WHT HOS                               |
|    | 1631118 | SHOWER, REPLACEMENT HANDLE ONLY (1408269)                                   |
|    | 1631126 | SHOWER, HOLDER & MOUNTING NUT ONLY (1408269)                                |
|    | 1631134 | SHOWER, HOSE ASSY ONLY (1408269)  |
|    | 1544071 | WASHER, NEOPRENE SCANVIK SHOWER #785246                                     |
|    | 1544089 | WASHER, NEOPRENE SCANVIK WASHDOWN/SPRAYER                                   |
| 13 | 1586460 | LID, HDPE 270SD-02 ENT CNTR SLIDER LID PRL                                  |
| 14 | 1502061 | HOLDER, DRINK SS 3-RING 3"  |
| 15 | 1592567 | RAIL, GRAB 270SD-02 CKPT ENT CNTR W/3.5" STUDS                              |
| 16 | 1612365 | CATCH, REFER TO MRP#1684899 OR 1684898                                      |
| 17 | 1584663 | DOOR, HDPE 270SD-02 TRNSM W/HINGE PRL                                       |
| 18 | 1227412 | LIGHT, NAV STERN FLUSH MT RND CHR/BRS N/STUDS                               |
|    | 901199  | BULB, STERN NAV LIGHT REPL #137406-1227412                                  |
| 19 | 1586478 | DOOR, PLEX 270SD-02 ENT CNTR W/ORC  |
|    | 1596394 | FLOORING, PVC MAT 270SD-02 ENT CNTR STRG WHT                                |
| 20 | 885525  | PEDESTAL, ALUM 10.75" RIBBED  |
|    | 1141183 | SLIDE ASSY, SEAT MILLENNIUM 10.5" MNT HOLES                                 |
| 21 | 1620327 | STOP, HDPE 270SD-02 SLEEPER DOOR PRL  |
| 22 | 1595784 | STOP, HDPE 270SD-02 WALK-THRU/BERTH DOOR PRL                                |
| 23 | 814012  | COOLER, 36QT  |
| 24 | 1287283 | RECEPTACLE, FEMALE 12V LONG THRD BLK  |
|    | 1259977 | PLATE, FEMALE 12V RECEPTACLE MNT  |

**DRAINAGE SYSTEM**

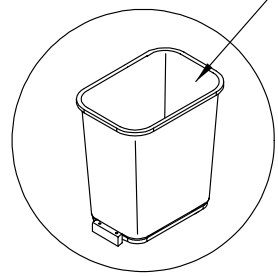
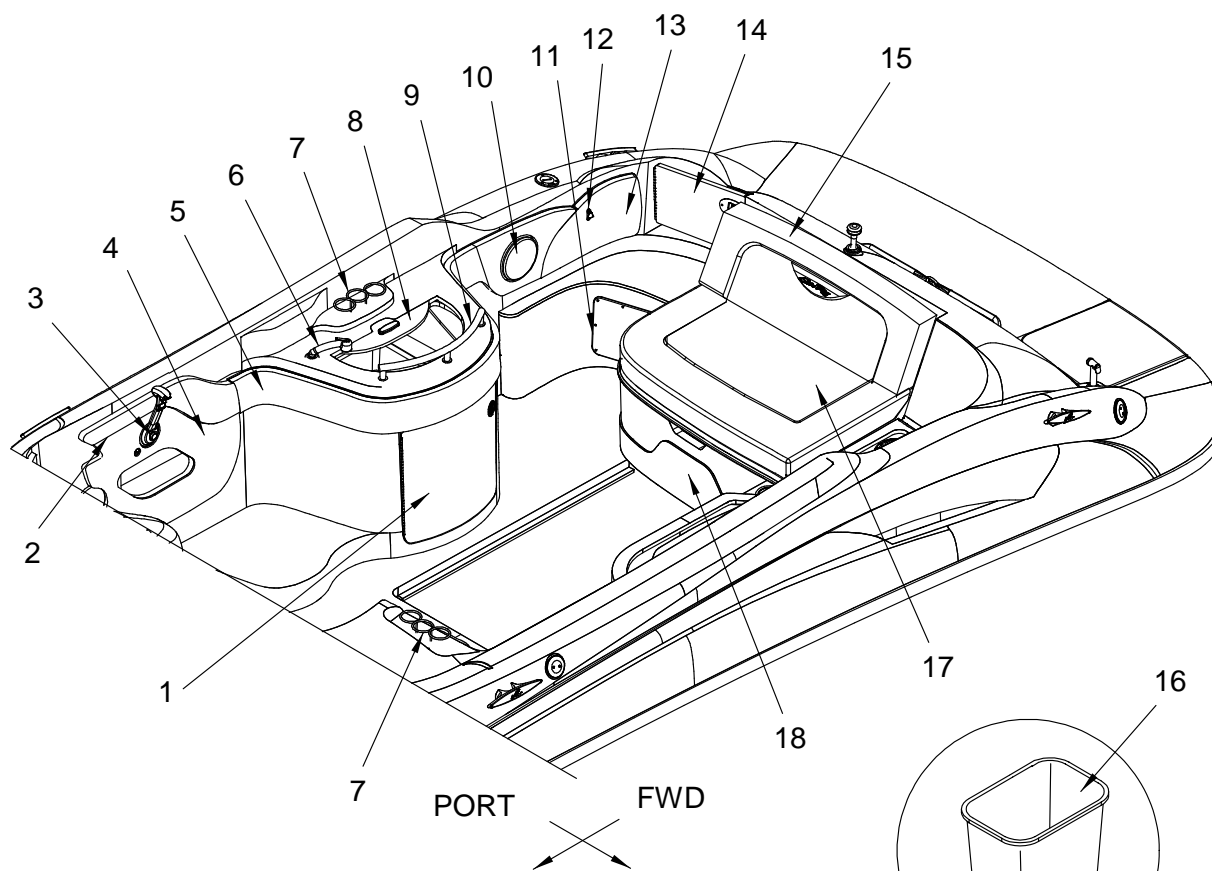
- |         |                                |
|---------|--------------------------------|
| 1586445 | COOLER, 270SD-02 WET BAR PRL   |
| 1595958 | SINK, V/F WET BAR PRL 270SD-02 |

**NOT SHOWN LABELS**

- |        |                                       |
|--------|---------------------------------------|
| 324756 | LABEL, RECEPTACLE 12V-15A MAX (LEXAN) |
| 532820 | LABEL, DISPOSAL OF GARBAGE            |



COCKPIT (AFT STARBOARD VIEW)



TRASH CAN

**COCKPIT (AFT STARBOARD VIEW)**

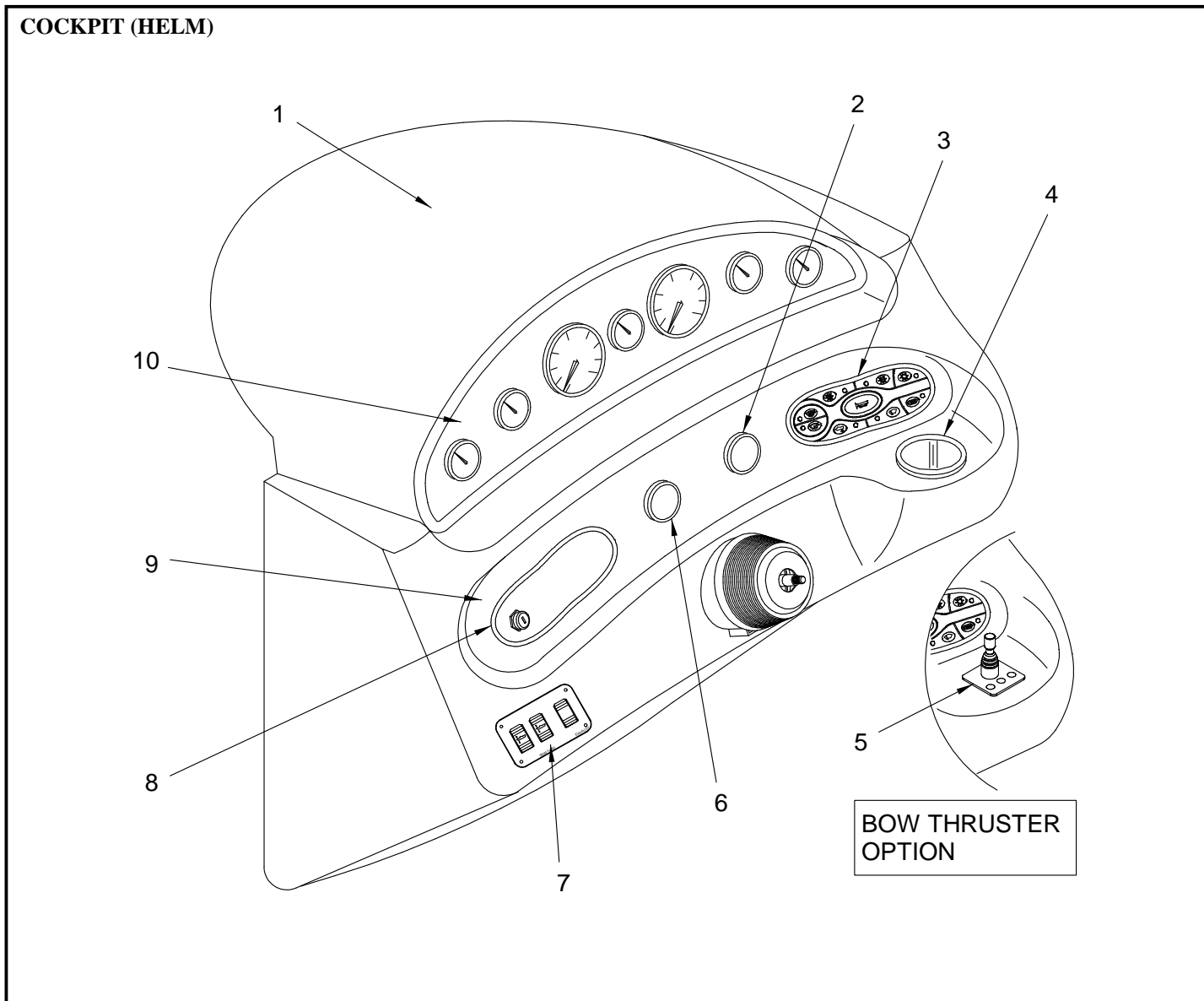
1	1586478	DOOR, PLEX 270SD-02 ENT CNTR W/ORC
	1596394	FLOORING, PVC MAT 270SD-02 ENT CNTR STRG WHT
2	1612175	270SD 02,PANEL,CKPT STBD SIDE UPR HI#
3	1458900	CONTROL, REM THRTL/SHIFT CLSC 4000 W/CONN
4	1612167	270SD 02,PANEL,CKPT STBD SIDE LWR HI#
5	1612159	270SD 02,PANEL,CKPT SIDE ENT CNTR HI#
6	1408269	SHOWER, SPRAY NOZZLE ANGLE BASE BLK W/WHT HOS
	1631118	SHOWER, REPLACEMENT HANDLE ONLY (1408269)
	1631126	SHOWER, HOLDER & MOUNTING NUT ONLY (1408269)
	1631134	SHOWER, HOSE ASSY ONLY (1408269)
	1544071	WASHER, NEOPRENE SCANVIK SHOWER #785246
	1544089	WASHER, NEOPRENE SCANVIK WASHDOWN/SPRAYER
7	1502061	HOLDER, DRINK SS 3-RING 3"
8	1586460	LID, HDPE 270SD-02 ENT CNTR SLIDER LID PRL
9	1592567	RAIL, GRAB 270SD-02 CKPT ENT CNTR W/3.5"STUDS
10	1440536	SPEAKER, DUAL CONE EXT 6.5" W/CVR
	1513951	GRILL, SPEAKER EXT 6.5" WHT CM1602
11	1595537	COVER, HDPE 270SD-02 ENTRYWAY STEP ACCESS
12	1612365	CATCH, REFER TO MRP#1684899 OR 1684898
13	1612183	270SD 02,PANEL,CKPT STBD SIDE AFT HI#
14	1584663	DOOR, HDPE 270SD-02 TRNSM W/HINGE PRL
15	1612266	270SD 02,B/R,MTRBX
16	431098	BASKET, TRASH 11 3/8"X 8.25"X 12 1/8" BEIGE
17	1612118	270SD 02,CUSH,MTRBX HI#
18	1612258	270SD 02,SKIRT,MTRBX

**DRAINAGE SYSTEM**

1586445	COOLER, 270SD-02 WET BAR PRL
1595958	SINK, V/F WET BAR PRL 270SD-02

**NOT SHOWN LABELS**

532820	LABEL, DISPOSAL OF GARBAGE
--------	----------------------------



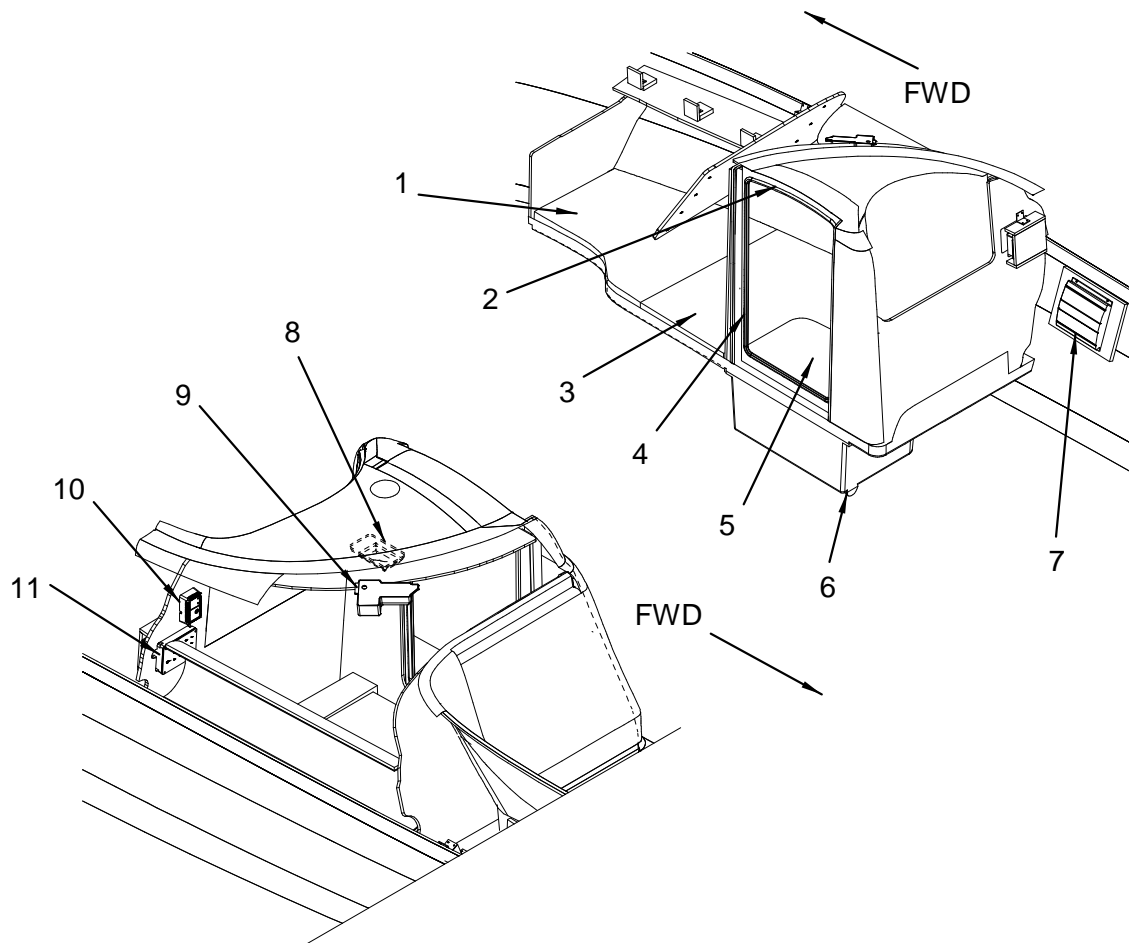
**COCKPIT (HELM)**

**LABELS**

- 1 1605120 VISOR, DASH 270SD-02 KHAKI  
1586452 VISOR, DASH 270SD-02 FLAX  
(PLATINUM PACKAGE)
- 2 742296 DEPTH FINDER, LOWRANCE 3500 GREY W/O BEZEL  
987693 DEPTH FINDER, BEZEL GRY W/CHR OVERLAY
- 3 1142314 MODULE, ELEC KEYPAD W/BCKLT 260DA-99
- 4 1156009 DRINKHOLDR, PLAS 4"X 3" MUG SZ PRL W/NPL  
124347 HOSE, PVC CLEAR 3/8"
- 5 1587237 BOW THRUSTER, JOYSTICK (IMTRA)12/24V W/ON/OFF  
(BOW THRUSTER OPTION)
- 6 1163062 STEREO, REMOTE CNTRL CHR BZL/GRY FACE
- 7 1578673 PANEL, 270SD-02 ACCY SW
- 8 1450741 PANEL, 240DA/245WE/260DA-01 IGN SW GAS BLK  
1409366 SWITCH, IGN STARTER  
1403161 KEY, IGN W/RUBBER SR GRIP "J"  
1403179 KEY, IGN W/RUBBER SR GRIP "K"  
1403187 KEY, IGN W/RUBBER SR GRIP "L"  
1403195 KEY, IGN W/RUBBER SR GRIP "M"  
1403237 KEY, IGN W/RUBBER SR GRIP "N"  
1403203 KEY, IGN W/RUBBER SR GRIP "P"  
1403229 KEY, IGN W/RUBBER SR GRIP "R"  
1403211 KEY, IGN W/RUBBER SR GRIP "S"
- 10 1588045 PANEL, 240/260DA-02 INST A/F  
1600485 PANEL, BLANK:260DA/270SD-02 INST STD

- 1369743 LABEL, DANGER CO FUMES W/CANVAS
- 722041 LABEL, DANGER/WARNING COMBO CNTRL STA

## INTERIOR



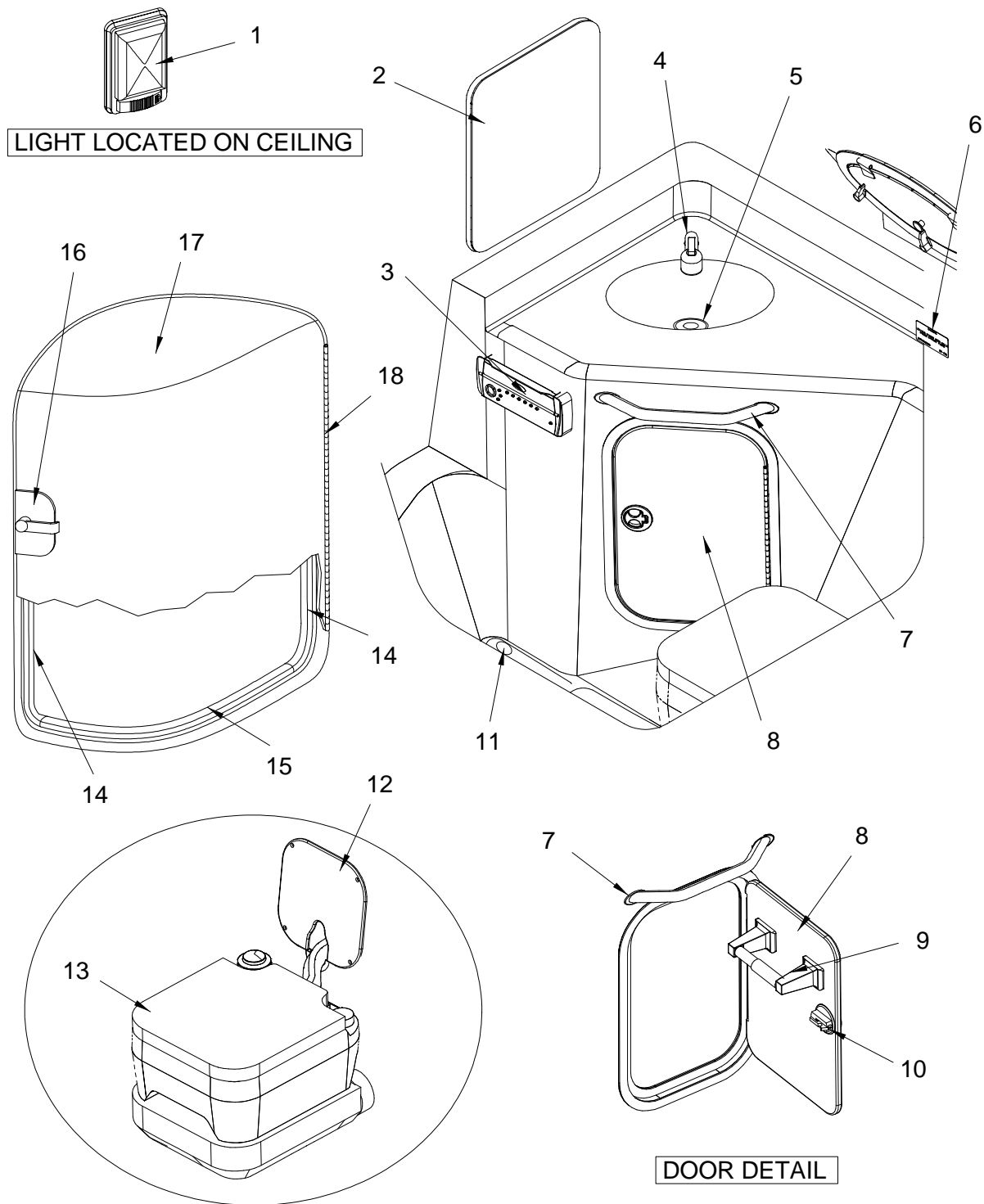
## INTERIOR

- |    |         |   |
|----|---------|---|
| 1  | 1611086 | 270SD 02,CUSH,SLEEPER FWD               |
|    | 1611201 | 270SD 02,CUSH SKN,SLEEPER FWD           |
| 2  | 1595792 | TRIM, PLAS ANGLE 7/8"X 1.5" TAPERED PRL |
| 3  | 1611300 | 270SD 02,CUSH,SLEEPER FILR              |
|    | 1611326 | 270SD 02,CUSH SKN,SLEEPER FILLER        |
| 4  | 1156355 | TRIM, EDGE PEARL MOTOR BOX SMALL        |
| 5  | 1611250 | 270SD 02,CUSH,SLEEPER AFT               |
|    | 1611284 | 270SD 02,CUSH SKN,SLEEPER AFT           |
| 6  | 1098417 | THRU-HULL, PLAS 1 1/8" PRL              |
| 7  | 1426428 | STEREO, AMP MARINE AUDIO MAA120-2 12V   |
| 8  | 312975  | LIGHT, SGL DOME FLUSH MT WHT W/SWITCH   |
|    | 604801  | BULB, DOME LIGHT 12V                    |
| 9  | 129817  | COVER, WIPER MOTOR ALMOND               |
| 10 | 965707  | MONITOR, CO DETECTOR WHT                |
| 11 | 1587682 | MODULE, ELEC INTERFACE 2002             |

## NOT SHOWN

- |         |  |
|---------|--|
| 1599430 | FOAM, P/C 270SD-02 STBD SLEEPER KIT      |
| 852566  | LABEL, LEAVING WINDOW OPEN EXHAUST FUMES |
| 1269430 | SNAP CAP, PLAS ANTIQUE WHT               |
| 129189  | ANGLE, ALUM 1/8"X 1.5"X 1.5"X 16'        |
| 1579499 | TAPE, DBL-SIDE ADHESIVE 1" X 60YD        |
| 744201  | TUBING, POLY STYRENE 4.25"X 1.5"         |

HEAD



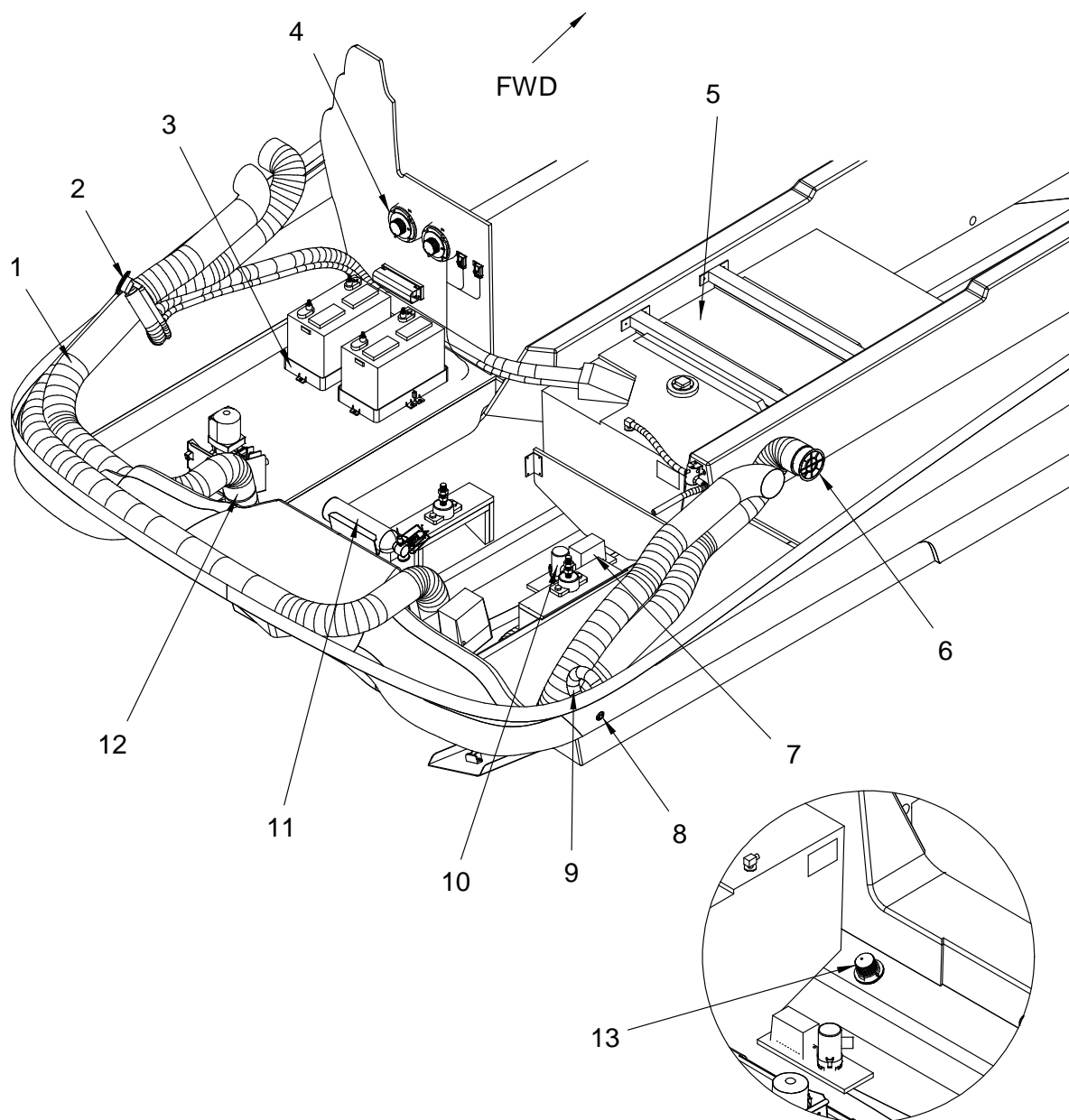
**HEAD**

- 1 312975 LIGHT, SGL DOME FLUSH MT WHT W/SWITCH
- 604801 BULB, DOME LIGHT 12V
- 2 946079 MIRROR, 1/8"X 13 9/16"X 15 5/8" 1.5"RAD CRNRS
- 865998 T-MOLD, VINYL INSERT 7/8" ALMOND
- 3 1469261 STEREO, AM/FM CD PLAYER REMOTE READY
- 1581560 ANTENNA, AMPLIFIED 13398
- 1312750 CABLE, CLARION REMOTE EXTENSION CABLE 24'
- 1602051 CABLE, 30' RCA AUDIO CABLE W/EFX-2 CONNECTORS
- 4 1408269 SHOWER, SPRAY NOZZLE ANGLE BASE BLK W/WHT HOS
- 1631118 SHOWER, REPLACEMENT HANDLE ONLY (1408269)
- 1631134 SHOWER, HOSE ASSY ONLY (1408269)
- 1631126 SHOWER, HOLDER & MOUNTING NUT ONLY (1408269)
- 1544071 WASHER, NEOPRENE SCANVIK SHOWER #785246
- 1544089 WASHER, NEOPRENE SCANVIK WASHDOWN/SPRAYER
- 5 583427 DRAIN, W/PLUG 100DEG 3/4"BARB CHR
- 6 852566 LABEL, LEAVING WINDOW OPEN EXHAUST FUMES
- 7 777243 RAIL, GRAB 12" STREAMLINE W/FLANGES 95 (304)
- 8 1392679 DOOR, HDPE STRG W/18"X 12" PRL FRAME
- 663708 BUMPER, CLEAR .020" THICK
- 9 146399 HOLDER, TOILET PAPER WALL MNT CHR ROLLER
- 10 986943 LATCH, FLUSH D-RING W/O LOCK BLK W/3"SHFT/CAM
- 11 1098417 THRU-HULL, PLAS 1 1/8" PRL
- 123901 HOSE, CORR BILGE 1 1/8" BLK
- 256685 CLAMP, HOSE #16 3/4".1.5" SS .505
- 12 1592583 COVER, HDPE 270SD-02 HEAD ACCESS
- 13 595512 HEAD, PORTABLE MSD SANI POTTI PARCHMENT 5.2GL
- 14 810572 TRIM-SEAL, 3/8" W/3/8"BULB LOC-A
- 15 158386 TRIM, EDGE BLACK PEBBLE 3/8"
- 16 1190750 LATCH, OFFSHR MORTISE RH-OUT PRVKNB ANTWHT
- 891200 PLATE, STRIKER MOBELLA 1.25"WIDE
- 17 1321157 DOOR, RTM 240/270SD-00 HEAD PRL
- (HULL#1005->UP)
- 1524735 DOOR, RTM 240SD-00 HEAD UNFINISHED PRL
- (HULL# 1003->1004)
- 18 1062348 HINGE, SS CONT 1.5"X 30"

**NOT SHOWN**

- 1599448 FOAM, P/C 270SD-02 PORT HEAD KIT
- 1269430 SNAP CAP, PLAS ANTIQUE WHT
- 129189 ANGLE, ALUM 1/8"X 1.5"X 1.5"X 16'
- 744201 TUBING, POLY STYRENE 4.25"X 1.5"
- 775379 TUBING, POLY STYRENE 2.25"X 12'
- 1579499 TAPE, DBL-SIDE ADHESIVE 1" X 60YD

BILGE



**BILGE**

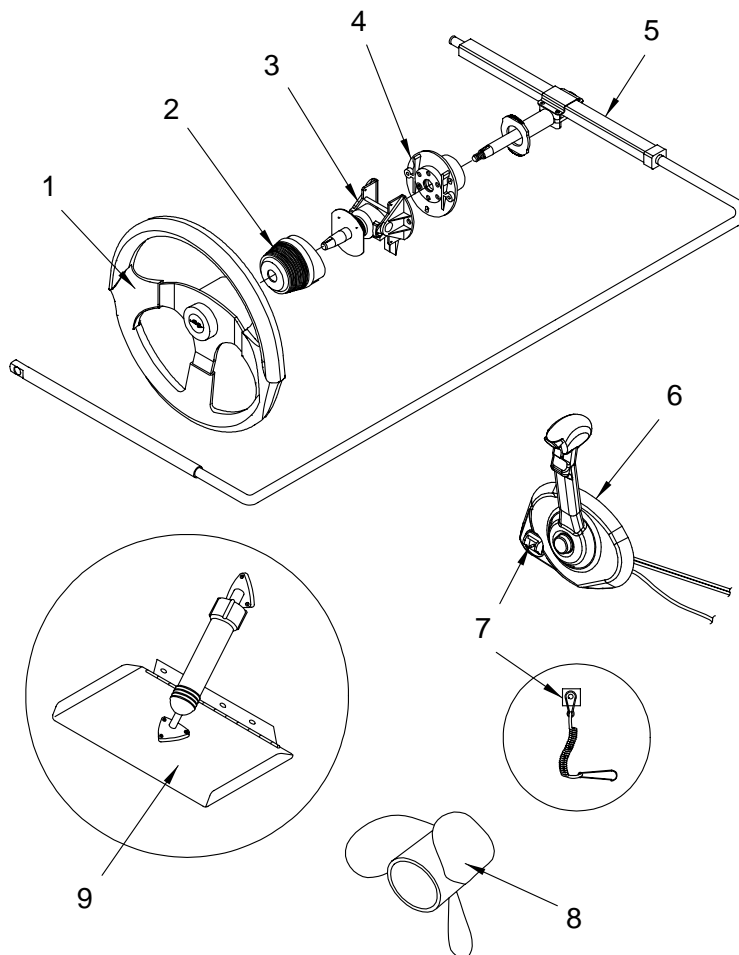
- 1 124016 HOSE, VENT/BLOWER 4" EX HVY DTY
- 2 1109354 DECK PLATE, GAS CHR W/VENT 45DG NCK RED CODE
- 1213867 DECK PLATE, CAP W/CHAIN GAS (FOR #1109354)
- 1068592 KEY, DECK PLATE CAP
- 1098615 DECK PLATE, GAS CHR W/VENT (SHIM ONLY)
- 3 1239458 HOLDER, BATTERY GR27/31 BLK NYLON W/SS
- 1258979 BOOT, BATTERY CABLE 105C "T" BLK 4/0
- 130849 BOOT, BATTERY CABLE RED
- 130856 BOOT, BATTERY CABLE BLK
- 4 766071 SWITCH, BATTERY SELECTOR W/O LOCK W/O DISC
- 766089 SWITCH, BATTERY ON/OFF W/O LOCK W/O DISC  
**(CE OPTION)**
- 5 1534528 TANK, FUEL 270SD-02 85GAL POLYETHYLENE
- 6 716159 VENT, PLAS GRILL 4" BLK
- 7 1193671 SWITCH, FLOAT RULE W/CVR
- 8 1098417 THRU-HULL, PLAS 1 1/8" PRL
- 9 123901 HOSE, CORR BILGE 1 1/8" BLK
- 256685 CLAMP, HOSE #16 3/4"-1.5" SS .505
- 10 1480094 PUMP, BILGE 1100GPH
- 11 196337 HALON SYS, AUTOMATIC 150CF (1301 HALON)  
**(FIRE SUPPRESSION SYSTEM AUTOMATIC OPTION)**
- 12 1587104 BLOWER, BILGE 4" #240M W/O CONN  
**(HULL# 1007->UP)**
- 1587096 BLOWER, BILGE 4" #240MQ W/CONN  
**(HULL# 1001->1006)**
- 13 894170 TRANSDUCER, 20DEG THRU-HULL W/ URETHANE FACE

**NOT SHOWN**

- 258509 LABEL, DISCHARGE OF OIL (LEXAN)
- 921767 LABEL, CAUTION BATTERY SWITCH OFF/ALT DAMAGED
- 1593094 FOAM, P/C 270SD-02 CONV BILGE 2-PC SET
- 1561000 FUSE BLOCK, 10-GNG BLADE-TYPE ACCY 270SD-02
- 1574912 CABLE, BATT SET 270SD-02 W/DUAL BATT KIT
- 140509 BOOT, ENG STARTER RED
- 1412626 BOOT, E-MODULE RED
- 1212729 TIE, CABLE 14" BLK W/SS BARB
- 1549765 HARNESS, 270SD-02 WIRE
- 1121946 THRU-HULL, PLAS 3/4" PEARL
- 1501782 HOSE, CONDUIT/SPLIT 1/2" FLAME RETARDANT
- 196683 ADAPTER, PVC 1"MPT X 1"BARB
- 263954 CLAMP, HOSE #10 1/2"-1 1/8" SS .505
- 417675 CLAMP, HOSE #20 3/4"-1.75" SS .505
- 757906 CLAMP, HOSE SPRING 1/4" OD SELF TIGHTENING SS



**STEERING SYSTEM**



**STEERING SYSTEM**

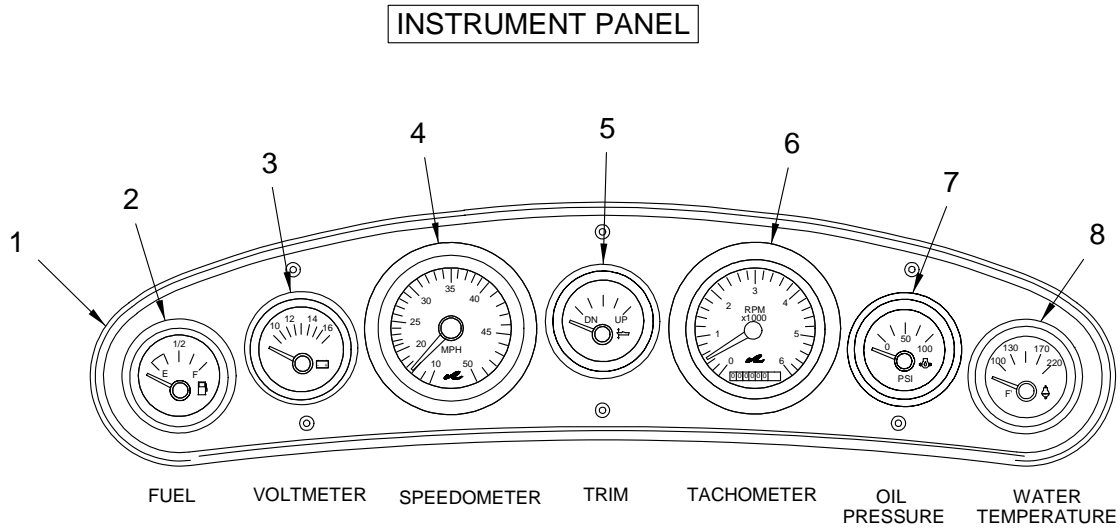
- 1 1468859 STEERING WHEEL, SPBT-01 W/D-TECHNIK BURL CVR (BLUE/GREEN/BLACK PACKAGE)
- 1595529 STEERING WHEEL, SPBT-02 FLAX W/VNGR BRL CVR (PLATINUM PACKAGE)
- 917013 EMBLEM, S/R EMB SCRIPT WHEEL GOLD-BEZEL 1.75"
- 2 1323625 STEERING, HELM MECHANICAL ASSY BACK-MNT W/BZL
- 3 662510 STEERING, PERFORMANCE TILT MECHANISM
- 4 1092246 STEERING, TILT HELM BACK-MNT
- 5 1091875 STEERING, BACK MNT RACK/CABLE 18.0' ASSY
- 6 1458900 CONTROL, REM THRTL/SHIFT CLSC 4000 W/CONN
- 974071 CABLE, CONTROL TELEFLEX 15' 600A/MERC SERIES
- 974089 CABLE, CONTROL TELEFLEX 16' 600A/MERC SERIES (496 MAG BR3 (375 & 425PHP) MCM STERN DRIVE OPTIONS)
- 7 778928 LANYARD, COILED STOP SWITCH
- 8 1427095 PROP, 15.5"X 24" CUP BR3 LH
- 1427103 PROP, 14.25"X 24" CUP BR3 RH
- 1360239 PROP, 15.75"X 22" CUP BR3 LH (350 MAG MPI BR3 (300PHP) MCM STERN DRIVE OPTION)
- 1360247 PROP, 14.25"X 22" CUP BR3 RH (350 MAG MPI BR3 (300PHP) MCM STERN DRIVE OPTION)
- 1623065 PROP, 15.25"X 26" SS BR3 LH CUPPED (496 MAG BR3 (375 & 425PHP) MCM STERN DRIVE OPTIONS)
- 1623073 PROP, 14"X 26" SS BR3 RH CUPPED (496 MAG BR3 (375 & 425PHP) MCM STERN DRIVE OPTIONS)
- 708172 PROP, 15.75"X 22" SS BR3 LH (MX 6.2 MPI BR3 (320PHP) MCM STERN DRIVE OPTION)

- 8 708180 PROP, 14.25"X 22" SS BR3 RH (MX 6.2 MPI BR3 (320PHP) MCM STERN DRIVE OPTION)
- 9 1312685 TRIM TAB, ASSY 12X12 SGL PARA W/PRECONN ACT'R
- 268508 TRIM TAB, HYD PUMP KIT W/3" NIPPLE

**NOT SHOWN**

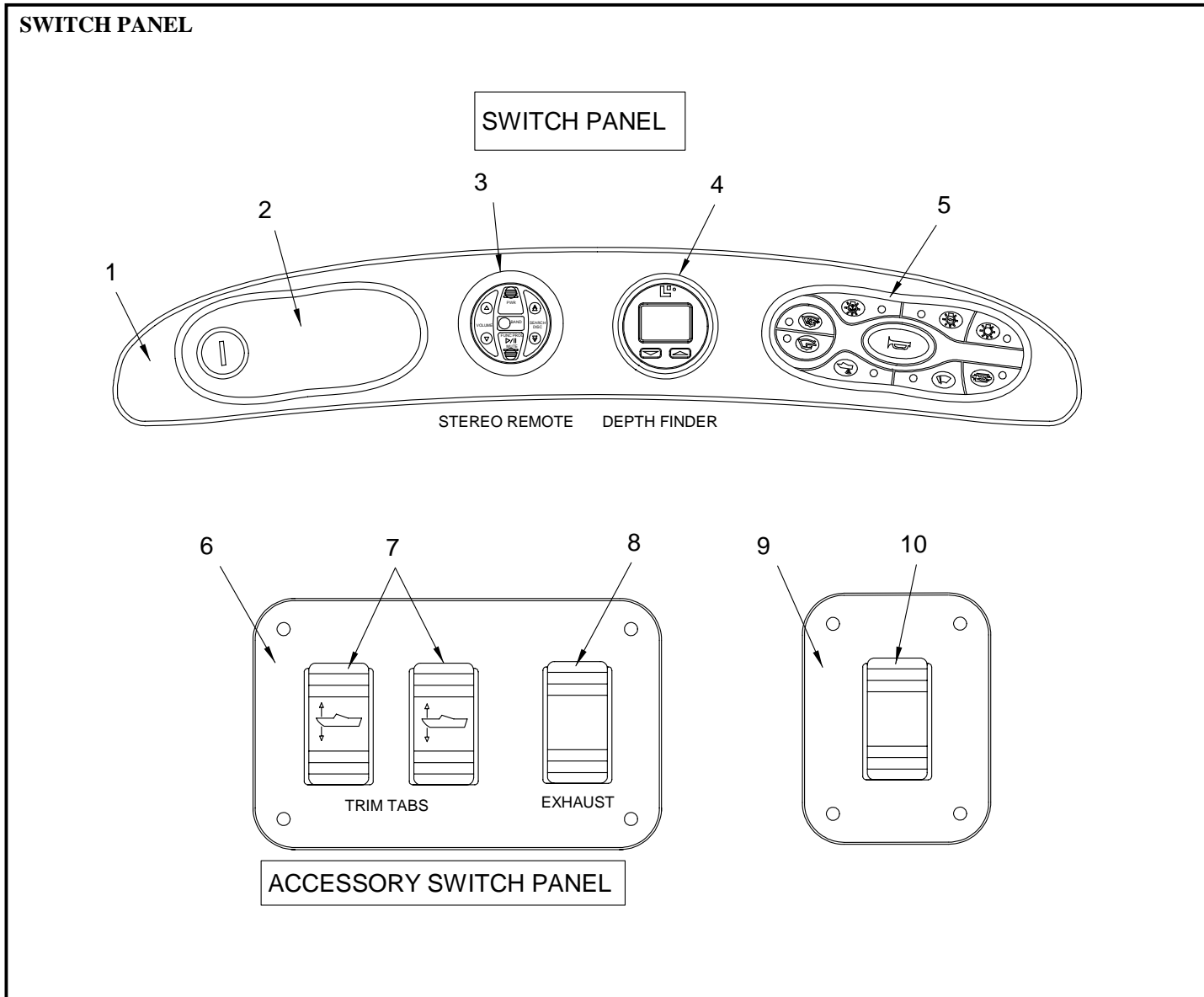
- 123604 CLAMP, LOOM VINYL DIP 2.5"

**INSTRUMENT PANEL**



**INSTRUMENT PANEL**

- 1 1588045 PANEL, 240/260DA-02 INST A/F
- 2 1291285 GAUGE, FUEL 2" SGL STA 12V MLSS A/F
- 3 1291277 GAUGE, VOLTMETER 10-16 MLSS A/F
- 4 1291467 GAUGE, SPEEDO 65 MPH 3" MLSS A/F
- 757906 CLAMP, HOSE SPRING 1/4" OD SELF TIGHTENING SS
- 5 1291533 GAUGE, TRIM TELE (MERC) MLSS A/F
- 6 1291418 GAUGE, TACH/LCDHOUR 3"6K GAS 12V MLSS A/F
- 7 1291327 GAUGE, OIL PRESS 0-80 2" 12V MLSS A/F
- 8 1291509 GAUGE, WATER TEMP 220 DEG 12V MLSS A/F



**SWITCH PANEL**

10 648097 BODY, ROCK SW SPST BLK 12V INCAND (BOW THRUSTER OPTION)

- 1 1588136 PANEL, BLANK:240/260DA-02 SECONDARY SW
- 2 1450741 PANEL, 240DA/245WE/260DA-01 IGN SW GAS BLK
- 1409366 SWITCH, IGN STARTER
- 1403161 KEY, IGN W/RUBBER SR GRIP "J"
- 1403179 KEY, IGN W/RUBBER SR GRIP "K"
- 1403187 KEY, IGN W/RUBBER SR GRIP "L"
- 1403195 KEY, IGN W/RUBBER SR GRIP "M"
- 1403237 KEY, IGN W/RUBBER SR GRIP "N"
- 1403203 KEY, IGN W/RUBBER SR GRIP "P"
- 1403229 KEY, IGN W/RUBBER SR GRIP "R"
- 1403211 KEY, IGN W/RUBBER SR GRIP "S"
- 3 1163062 STEREO, REMOTE CNTRL CHR BZL/GRY FACE
- 4 742296 DEPTH FINDER, LOWRANCE 3500 GREY W/O BEZEL
- 987693 DEPTH FINDER, BEZEL GRY W/CHR OVERLAY
- 5 1142314 MODULE, ELEC KEYPAD W/BCKLT 260DA-99
- 6 1578673 PANEL, 270SD-02 ACCY SW
- 1578681 PANEL, BLANK:270SD-02 ACCY SW
- 7 709501 ACTUATOR, ROCK VERT BLK W/O LENS TRIM TABS
- 709493 BODY, ROCK SW DPDT (MOM) CEN-OFF W/O LAMP
- 8 720151 PLUG, ROCKER SW 'V' SERIES BLK
- 1579879 ACTUATOR, ROCKER BLK W/BUE LENS T/H EXH
- 648097 BODY, ROCK SW SPST BLK 12V INCAND
- 9 1569763 SWITCH, 270SD-02 BOW THRSTR W/PIGTAIL (OPT)
- (BOW THRUSTER OPTION)
- 10 679324 ACTUATOR, ROCK BLK W/BUE LENS ACCY
- (BOW THRUSTER OPTION)



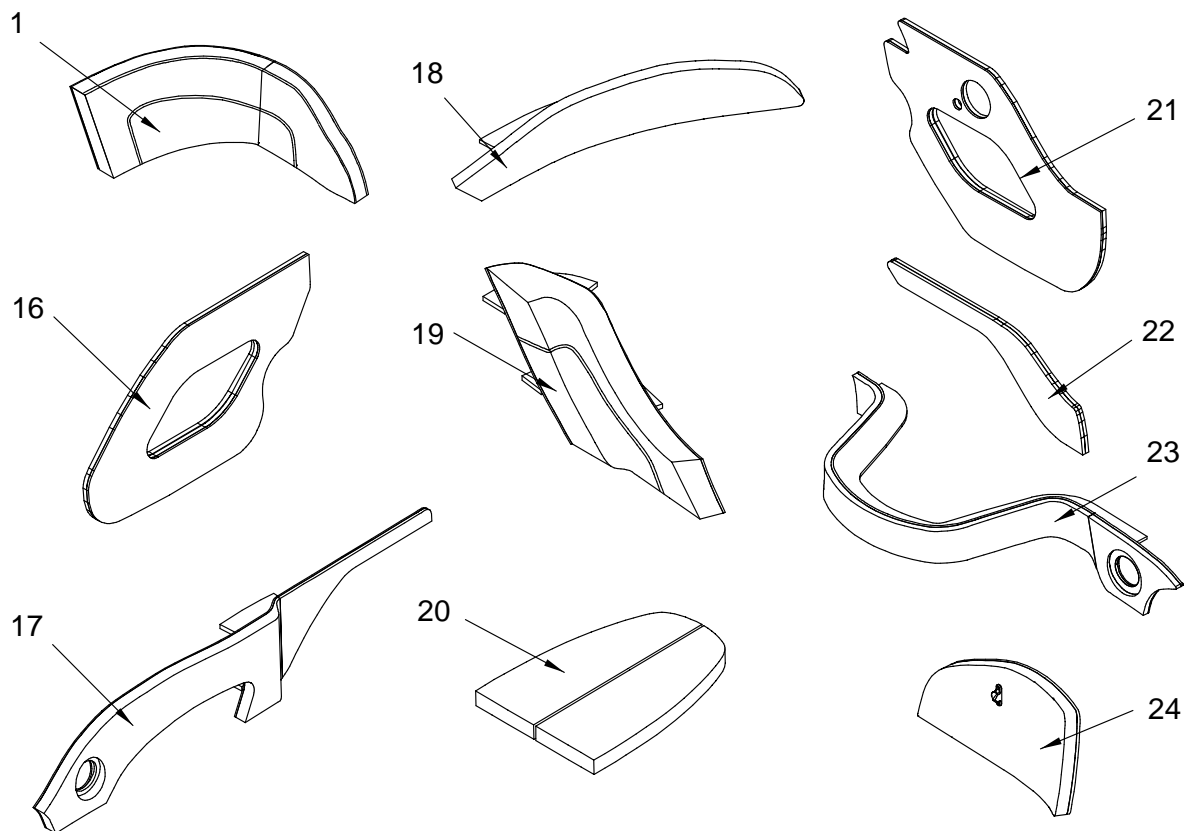
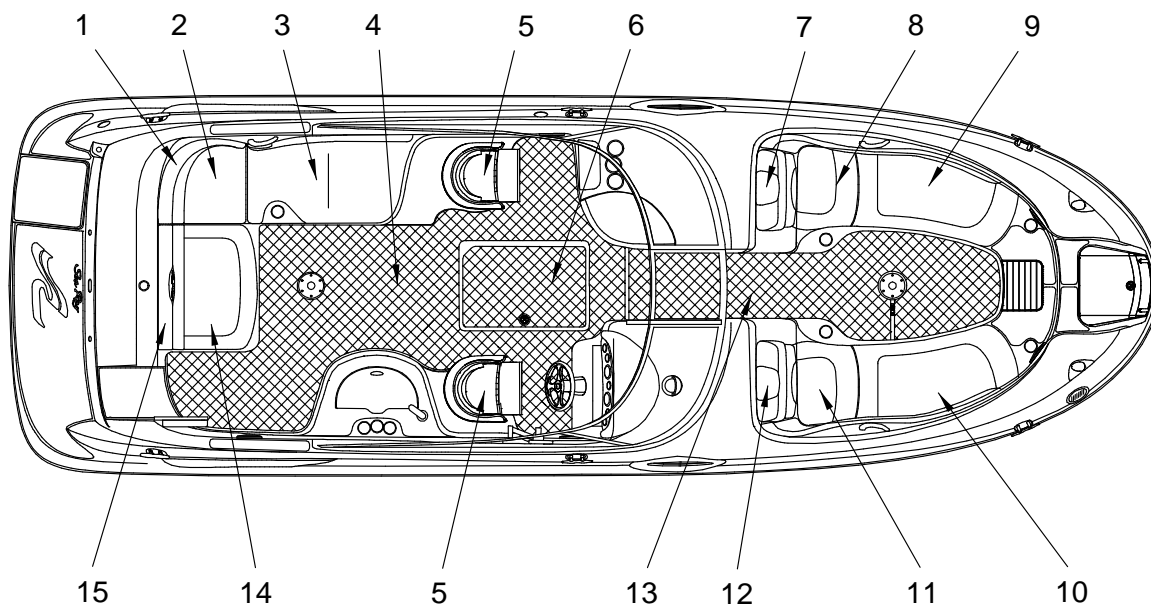
**FUEL SYSTEM**

- 1 1534528 TANK, FUEL 270SD-02 85GAL POLYETHYLENE
- 2 1278894 BRACKET, FUEL TANK 27.5" 240SD-00
- 1497452 TAPE, FOAM NEOPRENE W/3M 9828 3/8"TH X 2"W
- 3 1497486 HOSE, FUEL 3/8" ISO/CE W/PLAS LINER
- 4 224329 VALVE, BRASS FUEL SHUT-OFF ELEC 12V SKINNER
- 5 1501840 HOSE, CONDUIT/SPLIT 1" FLAME RETARDANT
- 6 1478213 FERRULE, FUEL LINE 3/8"ISO/CE
- 7 170589 FITTING, BRASS 3/8"BARB/NUT
- 8 140467 ELBOW, BRASS 90DEG 3/8"SAE X 1/4"MPT
- 9 123661 CLAMP, LOOM VINYL DIP 1"
- 10 991612 ANGLE, PVC 2"X 2"X 1/4"X 10' WHT
- 11 123778 HOSE, FUEL 5/8" TYPE A CLASS 2
- 947507 HOSE, FUEL 5/8" ISO/CE  
**(CE OPTION)**
- 12 256693 CLAMP, HOSE #24 1"-2" SS .505
- 13 1109354 DECK PLATE, GAS CHR W/VENT 45DG NCK RED CODE
- 1213867 DECK PLATE, CAP W/CHAIN GAS (FOR #1109354)
- 1068592 KEY, DECK PLATE CAP
- 1098615 DECK PLATE, GAS CHR W/VENT (SHIM ONLY)
- 14 256677 CLAMP, HOSE #12 1/2"-1.25" SS .505
- 15 123604 CLAMP, LOOM VINYL DIP 2.5"
- 16 123745 HOSE, FUEL 1.5" TYPE A CLASS 2
- 1501857 HOSE, CONDUIT/SPLIT 1.5" FLAME RETARDANT
- 17 1221217 ELBOW, FUEL P/U FOR TANK ASSY  
**(COMES WITH TANK)**
- 1593078 ADAPTER, ALUM 3/8"BARB X 1/4"MPT  
**(COMES WITH TANK)**
- 18 1555432 SENDING UNIT, WEMA 18"  
**(COMES WITH TANK)**
- 19 468934 TAPE, VAC PAK WHT (4"X 36YDS) PRESERVATION
- 20 123398 CLAMP, HOSE #06M 5/16"-7/8" SS MINI
- 21 140483 ADAPTER, BRASS 1/4"MPT X 3/8"SAE
- 22 306936 BRACKET, FUEL SHUT-OFF VALVE (SKINNER-ELEC)

**NOT SHOWN LABELS**

- 852533 LABEL, FUEL RECOMMENDATION
- 852624 LABEL, STAY CLEAR OF MOVING PARTS
- 852632 LABEL, WARNING LEAKING FUEL

COCKPIT (UPHOLSTERY)



## COCKPIT (UPHOLSTERY)

1	1611524	270SD 02,BLSTR,CKPT PORT LOUNGE AFT HI#
	1611581	270SD 02,BLSTR SKIN,CKPT PORT LOUNGE AFT HI#
2	1611607	270SD 02,CUSH,CKPT PORT LOUNGE AFT HI#
	1611623	270SD 02,CUSH SKIN,CKPT PORT LOUNGE AFT HI#
3	1611649	270SD 02,CUSH,CKPT PORT LOUNGE FWD HI#
	1611656	270SD 02,CUSH SKIN,CKPT PORT LOUNGE FWD HI#
4	1603570	CARPET, 270SD-02 SNAP-IN DUNE MARBLE #903
	1612290	270SD 02,CARPET,SNAPIN CKPT AFT HI#
5	1605484	BKT SEAT, SPBT-02 W/THGHRISE VAN/GLDRSH (BLUE/GREEN/BLACK PACKAGE)
	1633502	BKT SEAT, SPBT-02 W/THG VAN/GLDRSH FRAMESKIN (BLUE/GREEN/BLACK PACKAGE)
	1633510	BKT SEAT, SPBT-02 W/THG VAN/GLDRSH BTM CUSH (BLUE/GREEN/BLACK PACKAGE)
	1633528	BKT SEAT, SPBT-02 W/THG VAN/GLD BTM CUSH SKIN (BLUE/GREEN/BLACK PACKAGE)
	1633544	BKT SEAT, SPBT-02 W/THG LEG ROLL VAN/GLDRSH (BLUE/GREEN/BLACK PACKAGE)
	1633551	BKT SEAT, SPBT 02 W/THG VAN/GLD LEG ROLL SKIN (BLUE/GREEN/BLACK PACKAGE)
	1602440	BKT SEAT, SPBT-02 W/THGHRISE PLTNM/PWTR MIST (PLATINUM PACKAGE)
	1633536	BKT SEAT, SPBT-02 W/THG PLTM/CHN FRAME SKIN (PLATINUM PACKAGE)
	1633486	BKT SEAT, SPBT-02 W/THG PLT/CHN BTM CUSH (PLATINUM PACKAGE)
	1633494	BKT SEAT, SPBT-02 W/THG PLTN/CHN BTM CUSH SKN (PLATINUM PACKAGE)
	1611714	BKT SEAT, SPBT-02 W/THG LEG ROLL PLTNM/CHNTLY (PLATINUM PACKAGE)
	1611730	BKT SEAT,SPBT 02 W/THG PLT/CHN LEG ROLL SKIN (PLATINUM PACKAGE)
	1441260	FOAM, P/C BKT SEAT W/THGHRIS-01
	1441195	SHELL, BKT SEAT SPBT/SPCR-01 W/THGHRIS
	1474956	SLEEVE, BKT SEAT SPBT/SPCR-01 THIGH-RISE
	885525	PEDESTAL, ALUM 10.75" RIBBED
	964890	BRACKET, H/S FOLDUP 2PC RV2
6	1612308	270SD 02,CARPET,SNAPIN SKI HATCH HI#
7	1611755	270SD 02,B/R,BOW FLPUP PRT
	1611862	270SD 02,B/R SKN,BOW FLPUP PRT
8	1611920	270SD 02,CUSH,BOW PORT AFT HI#
	1611946	270SD 02,CUSH SKIN,BOW PORT AFT HI#
9	1611953	270SD 02,CUSH,BOW PORT FWD HI#
	1611961	270SD 02,CUSH SKIN,BOW PORT FWD HI#
10	1612019	270SD 02,CUSH,BOW STBD FWD HI#
	1612027	270SD 02,CUSH SKIN,BOW STBD FWD HI#
11	1612035	270SD 02,CUSH,BOW STBD AFT HI#
	1612043	270SD 02,CUSH SKIN,BOW STBD AFT HI#
12	1612092	270SD 02,B/R,BOW FLPUP STB
	1612100	270SD 02,B/R SKN,BOW FLPUP STB
13	1612316	270SD 02,CARPET,SNAPIN BOW HI#
14	1612118	270SD 02,CUSH,MTRBX HI#
	1612126	270SD 02,CUSH SKIN,MTRBX HI#
15	1612266	270SD 02,B/R,MTRBX
	1612274	270SD 02,B/R SKN,MTRBX
16	1612134	270SD 02,PANEL,CKPT PORT SIDE FWD LWR HI#
17	1612142	270SD 02,PANEL,CKPT PORT SIDE LOUNGE UPR HI#
18	1611979	270SD 02,BLSTR,BOW PORT HI#
	1611987	270SD 02,BLSTR SKIN,BOW PORT HI#
	1612050	270SD 02,BLSTR,BOW STBD HI#
	1612068	270SD 02,BLSTR SKIN,BOW STBD HI#
19	1611896	270SD 02,BLSTR,BOW PORT CRNR HI#
	1611904	270SD 02,BLSTR SKIN,BOW PORT CRNR HI#
	1612076	270SD 02,BLSTR,BOW STBD CRNR HI#
	1612084	270SD 02,BLSTR SKIN,BOW STBD CRNR HI#
20	1611995	270SD 02,CUSH,BOW SUNPAD FILLER HI# (BOW FILLER CUSHION OPTION)
	1612001	270SD 02,CUSH SKIN,BOW SUNPAD FILLER HI# (BOW FILLER CUSHION OPTION)
	773630	MESH, WHITE 54"
	180182	ZIPPER, #5 DELRIN CONTINUOUS WHT
	180406	SLIDE, DELRIN #5 WHT 1-S LOCK
	1073741	PVC BOARD, 1/2"X 4'X 8' WHT LOW DEN
	991612	ANGLE, PVC 2"X 2"X 1/4"X 10' WHT
21	1612167	270SD 02,PANEL,CKPT STBD SIDE LWR HI#
22	1612175	270SD 02,PANEL,CKPT STBD SIDE UPR HI#
23	1612159	270SD 02,PANEL,CKPT SIDE ENT CNTR HI#
24	1612183	270SD 02,PANEL,CKPT STBD SIDE AFT HI#
	1612282	270SD 02,PANEL SKIN,CKPT STBD SIDE AFT HI#

## FOAM

1599414	FOAM, P/C 270SD-02 BOW KIT A BLSTRS/BCKRSTS
1599422	FOAM, P/C 270SD-02 BOW KIT B CUSHNS
1559442	FOAM, P/C 182BR-01 PORT BOW BOLSTER
1559459	FOAM, P/C 182BR-01 STBD BOW BOLSTER
1599463	FOAM, P/C 270SD-02 BOW FILLER 2-PC SET (BOW FILLER CUSHION OPTION)
1599448	FOAM, P/C 270SD-02 PORT HEAD KIT
1599430	FOAM, P/C 270SD-02 STBD SLEEPER KIT
1599455	FOAM, P/C 270SD-02 CKPT-SID PNLS/BLSTRS/CUSHNS

## COCKPIT CARPET

795286	CARPET, EXT 12 OZ CHAR #0326 LT NEEDLE PUNCH (STORAGE)
1603570	CARPET, 270SD-02 SNAP-IN DUNE MARBLE #903 (SNAP-IN-CARPET)

## VINYL

1151521	VINYL, RAMANO D KHAKI EXP 1/4"F/B (BLUE/GREEN/BLACK PACKAGE)
1579770	VINYL, GRANDE D FLAX EXP 1/4"F/B (PLATINUM PACKAGE)
1157130	VINYL, SEABROOK D VAN EXP 1/4"F/B (BLUE/GREEN/BLACK PACKAGE)
1600253	VINYL, SEABROOK D PLATINUM EXP 1/4"F/B (PLATINUM PACKAGE)
1122258	VINYL, GRANDE D GOLD RUSH EXP FLAT (BLUE/GREEN/BLACK PACKAGE)
1579796	VINYL, GRANDE DM CHANTILLY MIST EXP FLAT (PLATINUM PACKAGE)
1154418	VINYL, SEABROOK D LT CAMEO EXP 1/4"F/B (BLUE/GREEN/BLACK PACKAGE)
1579788	VINYL, GRANDE D FLAX EXP FLAT (PLATINUM PACKAGE)

## WELT

1142181	WELT, RVIEW LT CAMEO 5/32"
1135714	WELT, GRANDE D GOLD RUSH 5/32" (BLUE/GREEN/BLACK PACKAGE)
1619212	WELT, DADE PEWTER MIST 5/32" (PLATINUM PACKAGE)
1603554	WELT, SEABROOK PLATINUM 5/32" (PLATINUM PACKAGE)

## WASHABLE SURFACE/HEADLINER AND HULL LINER

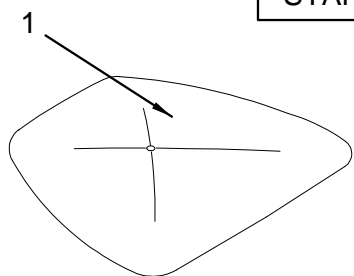
1140367	VINYL, RVIEW LT CAMEO N/W FLAT
1140375	VINYL, RVIEW LT CAMEO N/W 1/4"FB W/DOW

## NOT SHOWN

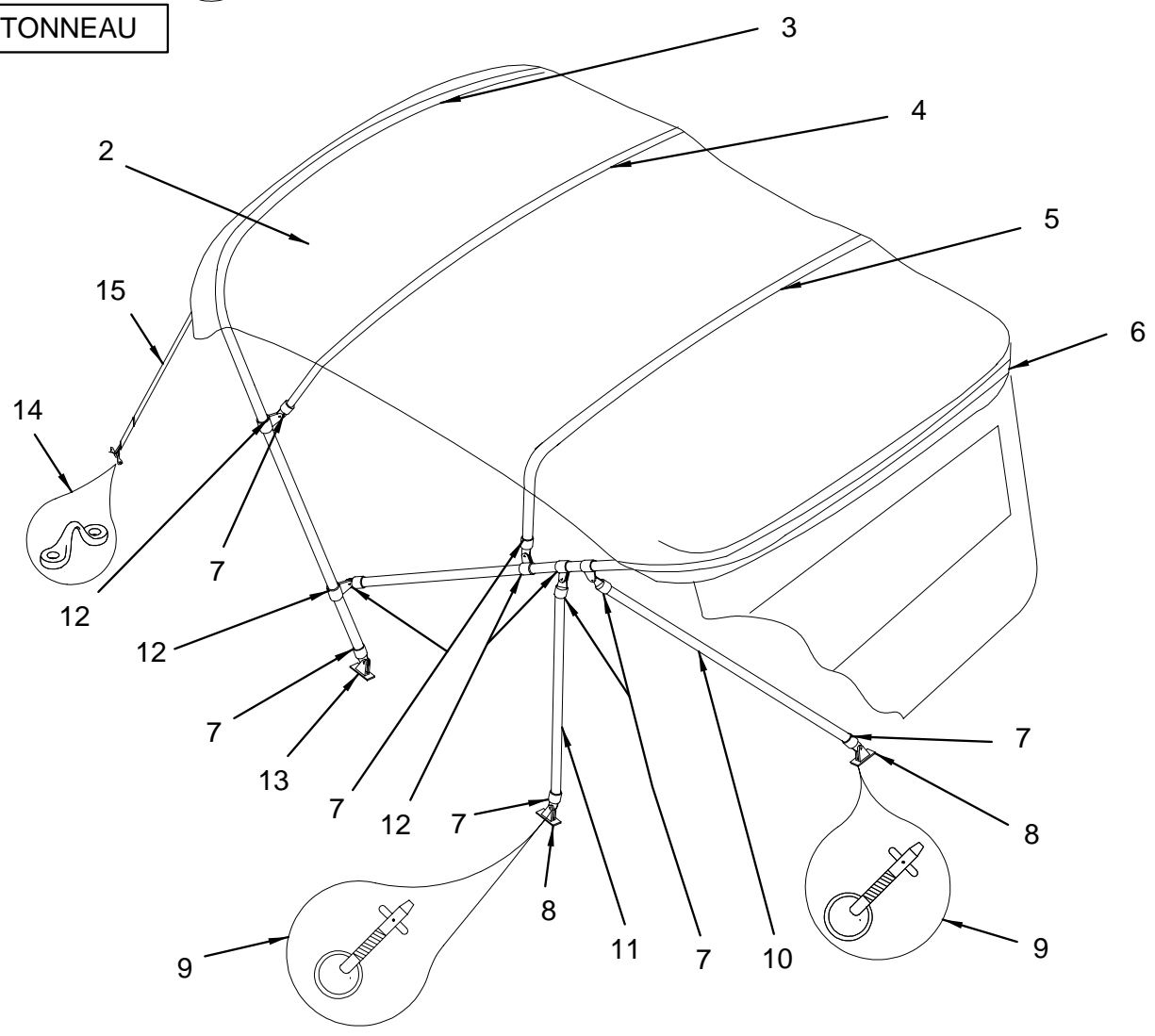
157495	TAB, PULL TAB MATERIAL 6"
180182	ZIPPER, #5 DELRIN CONTINUOUS WHT
180406	SLIDE, DELRIN #5 WHT 1-S LOCK
476531	VELCRO, LOOP WHT 2" (SEW ON)
595090	VELCRO, HOOK WHT 2" PRESSURE SENSITIVE
773630	MESH, WHITE 54"
1600279	HIDEM, SEABROOK PLATINUM 5/8"
1601913	INSERT, 270SD-02 SCRIPT PLTNM W/6.5 GRAY
1601939	INSERT, 270SD-02 SCRIPT FLAX W/8.5 GRAY

CANVAS (BIMINI TOP)

STANDARD BIMINI CANVAS PACKAGE



TONNEAU





**CANVAS (BIMINI TOP)**

- 1 1606946 CANVAS, 270SD-02 TONNEAU CVR MEDB  
(BLUE PACKAGE)
- 1606938 CANVAS, 270SD-02 TONNEAU CVR HNTR  
(GREEN PACKAGE)
- 1606953 CANVAS, 270SD-02 TONNEAU CVR TST  
(BLACK PACKAGE)
- 1606920 CANVAS, 270SD-02 TONNEAU CVR PTY  
(PLATINUM PACKAGE)
- 2 1607209 CANVAS, 270SD-02 BIM TOP MEDB  
(BLUE PACKAGE)
- 1607191 CANVAS, 270SD-02 BIM TOP HNTR  
(GREEN PACKAGE)
- 1595602 CANVAS, 270SD-02 BIM TOP TST  
(BLACK PACKAGE)
- 1603927 CANVAS, 270SD-02 BIM TOP PTY  
(PLATINUM PACKAGE)
- 1607225 CANVAS, 270SD-02 BIM TOP BOOT W/EMB MEDB  
(BLUE PACKAGE)
- 1607217 CANVAS, 270SD-02 BIM TOP BOOT W/EMB HNTR  
(GREEN PACKAGE)
- 1595610 CANVAS, 270SD-02 BIM TOP BOOT W/EMB TST  
(BLACK PACKAGE)
- 1603935 CANVAS, 270SD-02 BIM TOP BOOT W/EMB PTY  
(PLATINUM PACKAGE)
- 3 1635226 CANVAS, 270SD-02 BIM TOP MAIN BOW W/HDWR
- 1635234 CANVAS, 270SD-02 BIM TOP BOWS W/HDWR  
SET - COMPLETE
- 1635267 CANVAS, 270SD-02 BIM TOP HDWR MNT PKG
- 4 1635275 CANVAS, 270SD-02 BIM TOP BOW2 W/HDWR
- 5 1635283 CANVAS, 270SD-02 BIM TOP BOW3 W/HDWR
- 6 1635291 CANVAS, 270SD-02 BIM TOP BOW4 W/HDWR
- 7 221085 CAP, SS EYE END 7/8"
- 8 663393 HINGE, DECK, ANGLE W/PULL PIN HOLE
- 9 1357854 PIN, PULL 1.25" TOGGLE W/RING LNYRD SPRING SS
- 10 1635309 CANVAS, 270SD-02 BIM TOP SWAY POLE
- 11 1635317 CANVAS, 270SD-02 BIM TOP REAR STANCH
- 12 439307 SLIDE, JAW SLIDE 7/8"
- 13 221143 HINGE, DECK FLAT STRAIGHT W/SCREW SS
- 14 148031 EYE, STRAP EYE TIE-DOWN
- 15 1607688 CANVAS, 270SD-02 BIM TOP FWD STRAP

**STORAGE BAG**

- 1092162 CANVAS, STRG BAG 12X38 CLOUDBRST TONNEAU/CKPT

**COCKPIT COVER W/SNAPS**

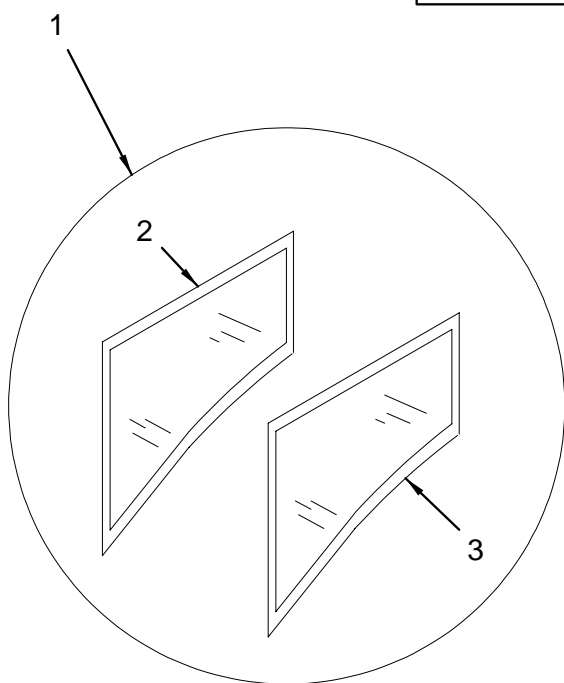
- 1606862 CANVAS, 270SD-02 CPC W/SNPS MEDB  
(BLUE PACKAGE)
- 1606854 CANVAS, 270SD-02 CPC W/SNPS HNTR  
(GREEN PACKAGE)
- 1606870 CANVAS, 270SD-02 CPC W/SNPS TST  
(BLACK PACKAGE)
- 1606847 CANVAS, 270SD-02 CPC W/SNPS PTY  
(PLATINUM PACKAGE)

**CANVAS**

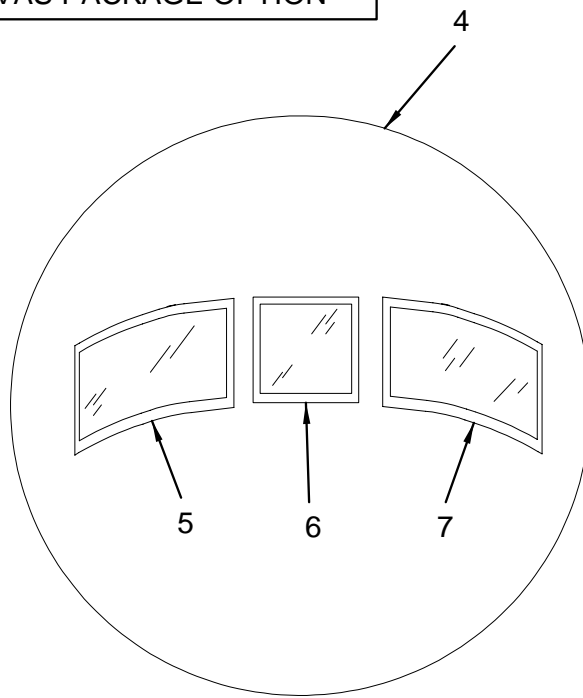
- 1193762 CANVAS, SUNBRELLA MEDITERRANEAN TWEED 60"BLUE  
(BLUE PACKAGE)
- 1193770 CANVAS, SEAMARK MEDITERRANEAN TWEED 60"W/BC  
(BLUE PACKAGE)
- 1130061 CANVAS, SUNBRELLA HUNTER TWEED 60" GRN  
(GREEN PACKAGE)
- 1130079 CANVAS, SEAMARK HUNTER TWEED 60" W/BC  
(GREEN PACKAGE)
- 1180025 CANVAS, SUNBRELLA TOAST TWEED 60"  
(BLACK PACKAGE)
- 1180033 CANVAS, SEAMARK TOAST TWEED 60" W/BC  
(BLACK PACKAGE)
- 1596808 CANVAS, SUNBRELLA PUTTY TWEED 60"  
(PLATINUM PACKAGE)
- 1596816 CANVAS, SUNBRELLA PUTTY TWEED 60" W/BC  
(PLATINUM PACKAGE)

CANVAS (CANVAS PACKAGE) OPTIONAL

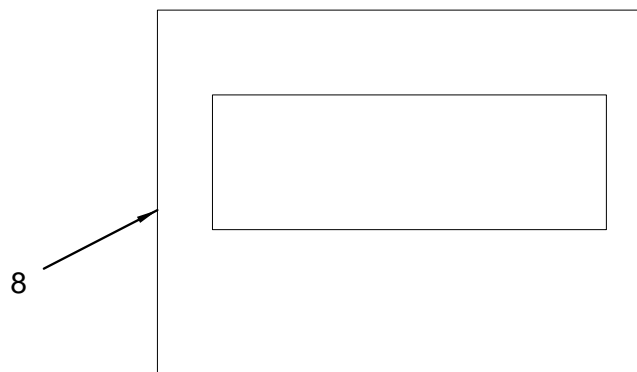
BIMINI CANVAS PACKAGE OPTION



SIDE CURTAINS



VISORS



AFT CURTAIN

**CANVAS (CANVAS PACKAGE) OPTIONAL**

- 1 1606987 CANVAS, 270SD-02 SIDE CURT SET MEDB  
(BLUE PACKAGE)
- 1606979 CANVAS, 270SD-02 SIDE CURT SET HNTR  
(GREEN PACKAGE)
- 1606995 CANVAS, 270SD-02 SIDE CURT SET TST  
(BLACK PACKAGE)
- 1606961 CANVAS, 270SD-02 SIDE CURT SET PTY  
(PLATINUM PACKAGE)
- 2 1607449 CANVAS, 270SD-02 SIDE CURT PRT MEDB  
(BLUE PACKAGE)
- 1607431 CANVAS, 270SD-02 SIDE CURT PRT HNTR  
(GREEN PACKAGE)
- 1607464 CANVAS, 270SD-02 SIDE CURT PRT TST  
(BLACK PACKAGE)
- 1607407 CANVAS, 270SD-02 SIDE CURT PRT PTY  
(PLATINUM PACKAGE)
- 3 1607522 CANVAS, 270SD-02 SIDE CURT STB MEDB  
(BLUE PACKAGE)
- 1607506 CANVAS, 270SD-02 SIDE CURT STB HNTR  
(GREEN PACKAGE)
- 1607530 CANVAS, 270SD-02 SIDE CURT STB TST  
(BLACK PACKAGE)
- 1607480 CANVAS, 270SD-02 SIDE CURT STB PTY  
(PLATINUM PACKAGE)
- 4 1607084 CANVAS, 270SD-02 VISOR CURT 3PC CLR/MEDB  
(BLUE PACKAGE)
- 1607068 CANVAS, 270SD-02 VISOR CURT 3PC CLR/HNTR  
(GREEN PACKAGE)
- 1607100 CANVAS, 270SD-02 VISOR CURT 3PC CLR/TST  
(BLACK PACKAGE)
- 1607043 CANVAS, 270SD-02 VISOR CURT 3PC CLR/PTY  
(PLATINUM PACKAGE)
- 5 1607571 CANVAS, 270SD-02 VISOR CURT PRT CLR/MEDB  
(BLUE PACKAGE)
- 1607563 CANVAS, 270SD-02 VISOR CURT PRT CLR/HNTR  
(GREEN PACKAGE)
- 1607589 CANVAS, 270SD-02 VISOR CURT PRT CLR/TST  
(BLACK PACKAGE)
- 1607555 CANVAS, 270SD-02 VISOR CURT PRT CLR/PTY  
(PLATINUM PACKAGE)
- 6 1607613 CANVAS, 270SD-02 VISOR CURT CTR CLR/MEDB  
(BLUE PACKAGE)
- 1607605 CANVAS, 270SD-02 VISOR CURT CTR CLR/HNTR  
(GREEN PACKAGE)
- 1607639 CANVAS, 270SD-02 VISOR CURT CTR CLR/TST  
(BLACK PACKAGE)
- 1607597 CANVAS, 270SD-02 VISOR CURT CTR CLR/PTY  
(PLATINUM PACKAGE)
- 7 1607662 CANVAS, 270SD-02 VISOR CURT STB CLR/MEDB  
(BLUE PACKAGE)
- 1607654 CANVAS, 270SD-02 VISOR CURT STB CLR/HNTR  
(GREEN PACKAGE)
- 1607670 CANVAS, 270SD-02 VISOR CURT STB CLR/TST  
(BLACK PACKAGE)
- 1607647 CANVAS, 270SD-02 VISOR CURT STB CLR/PTY  
(PLATINUM PACKAGE)
- 8 1607027 CANVAS, 270SD-02 AFT CURT MEDB  
(BLUE PACKAGE)
- 1607019 CANVAS, 270SD-02 AFT CURT HNTR  
(GREEN PACKAGE)
- 1607035 CANVAS, 270SD-02 AFT CURT TST  
(BLACK PACKAGE)
- 1607001 CANVAS, 270SD-02 AFT CURT PTY  
(PLATINUM PACKAGE)

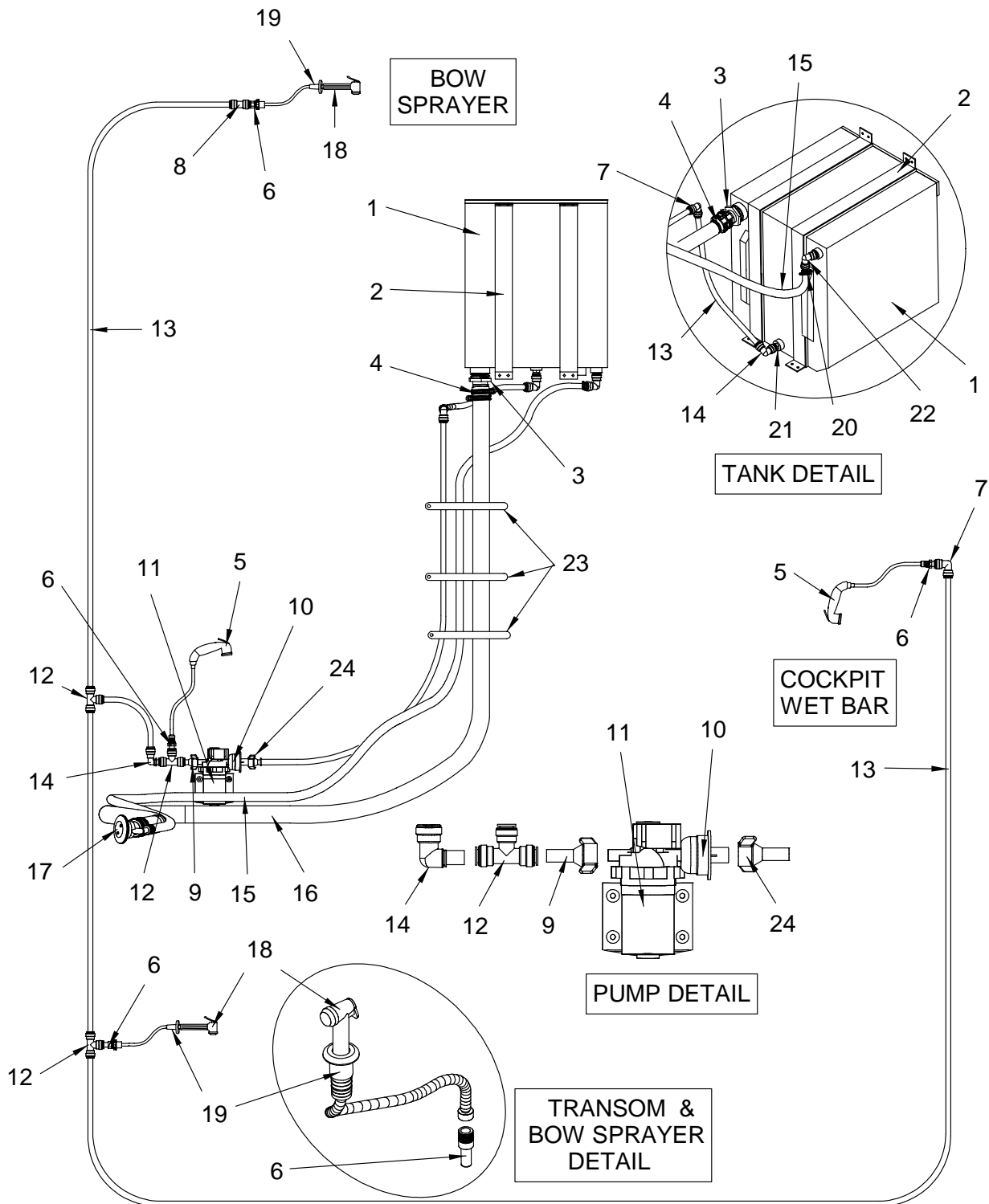
**STORAGE BAG**

- 878652 CANVAS, SPBOAT STRG BAG 10X70 XLRG GREY 97

**CANVAS**

- 1193762 CANVAS, SUNBRELLA MEDITERRANEAN TWEED 60"BLUE  
(BLUE PACKAGE)
- 1193770 CANVAS, SEAMARK MEDITERRANEAN TWEED 60"W/BC  
(BLUE PACKAGE)
- 1130061 CANVAS, SUNBRELLA HUNTER TWEED 60" GRN  
(GREEN PACKAGE)
- 1130079 CANVAS, SEAMARK HUNTER TWEED 60" W/BC  
(GREEN PACKAGE)
- 1180025 CANVAS, SUNBRELLA TOAST TWEED 60"  
(BLACK PACKAGE)
- 1180033 CANVAS, SEAMARK TOAST TWEED 60" W/BC  
(BLACK PACKAGE)
- 1596808 CANVAS, SUNBRELLA PUTTY TWEED 60"  
(PLATINUM PACKAGE)
- 1596816 CANVAS, SUNBRELLA PUTTY TWEED 60" W/BC  
(PLATINUM PACKAGE)

WATER SYSTEM



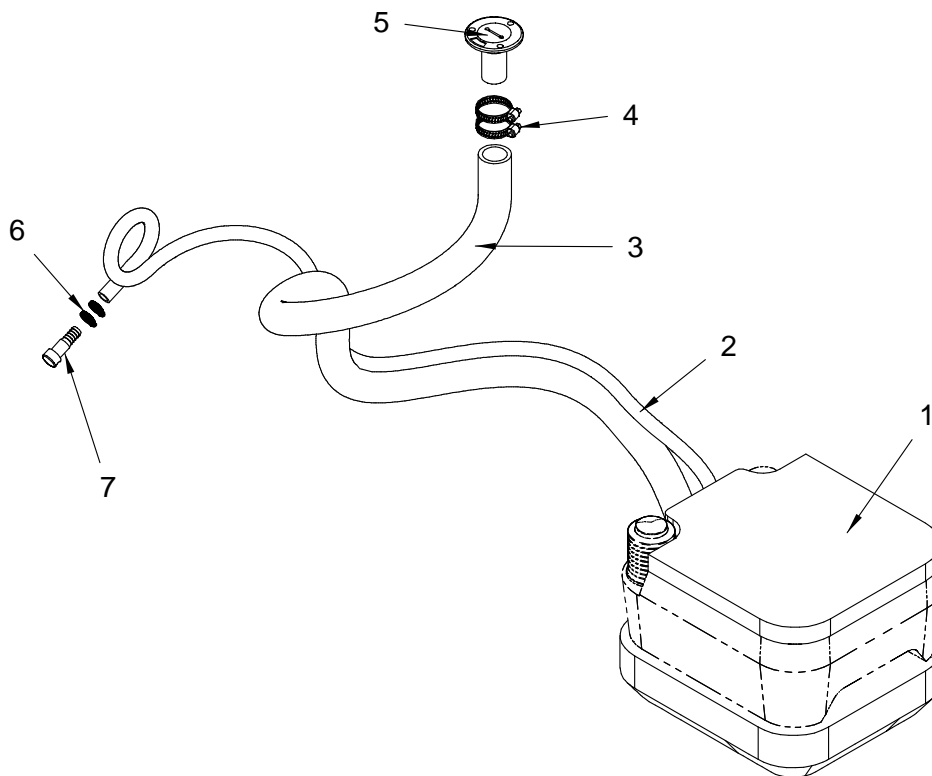
**WATER SYSTEM**

1	1575380	TANK, WATER 270SD-02 24GAL
2	1591544	STRAP, WATER TANK 270SD-02 ALUM
	1497452	TAPE, FOAM NEOPRENE W/3M 9828 3/8"TH X 2"W
3	814814	ADAPTER, PVC 1.5"MPT X 1.5"BARB MACHINED
4	256693	CLAMP, HOSE #24 1"-2" SS .505
5	1408269	SHOWER, SPRAY NOZZLE ANGLE BASE BLK W/WHT HOS
	1631118	SHOWER, REPLACEMENT HANDLE ONLY (1408269)
	1631126	SHOWER, HOLDER & MOUNTING NUT ONLY (1408269)
	1631134	SHOWER, HOSE ASSY ONLY (1408269)
	1544071	WASHER, NEOPRENE SCANVIK SHOWER #785246
	1544089	WASHER, NEOPRENE SCANVIK WASHDOWN/SPRAYER
6	1215185	ADAPTER, SEATECH 1/2"M-15MM STEM BRASS
7	1214832	ELBOW, SEATECH 90DEG EQUAL 15MM
8	1224526	COUPLING, SEATECH EQUAL 15MM
9	1320274	ADAPTER, SEATECH 1/2"F-15MM STEM PUMP ADAP
10	406710	FILTER, IN-LINE WATER 1/2" FPT
11	1480433	PUMP, FRESH WATER SHURFLO 2.8GPM IMP SOFT MNT
12	1214824	TEE, SEATECH EQUAL 15MM
13	1210160	TUBING, SEATECH 15MM X 11MM X 250' BLUE
14	1214840	ELBOW, SEATECH 90DEG STEM 15MM
15	124719	HOSE, SANI/CHEMICAL TDX 5/8"
16	123844	HOSE, SANI/SMOOTH WALL 1.5"
17	1109362	DECK PLATE, WATER CHR W/VENT BLUE CLR-CODE
	1405844	DECK PLATE, CAP W/CHAIN WATER
	1068592	KEY, DECK PLATE CAP
18	1259084	SHOWER, SPRAY NOZZLE W/8"SS HOSE RV1
	914143	SHOWER, SPRAY NOZZLE ONLY
	914150	SHOWER, HOSE 8" SS
19	1388743	HOLDER, PLAS SPRAYER PRL
20	256677	CLAMP, HOSE #12 1/2"-1.25" SS .505
21	1216308	ADAPTER, SEATECH STRAIGHT 1/2"M-15MM BRASS
22	411132	ELBOW, PVC 1/2"MPT X 1/2"BARB X 90DEG
23	123604	CLAMP, LOOM VINYL DIP 2.5"
24	1453984	FITTING, NEPT 1/2"FEM SWVL BLK

**NOT SHOWN**

	221903	LABEL, FRESH WATER (LEXAN)
	1210178	ADAPTER, SEATECH 1/2"F-15MM BRASS
	1215235	CLIP, SEATECH COLLET 15MM

## SEWAGE SYSTEM



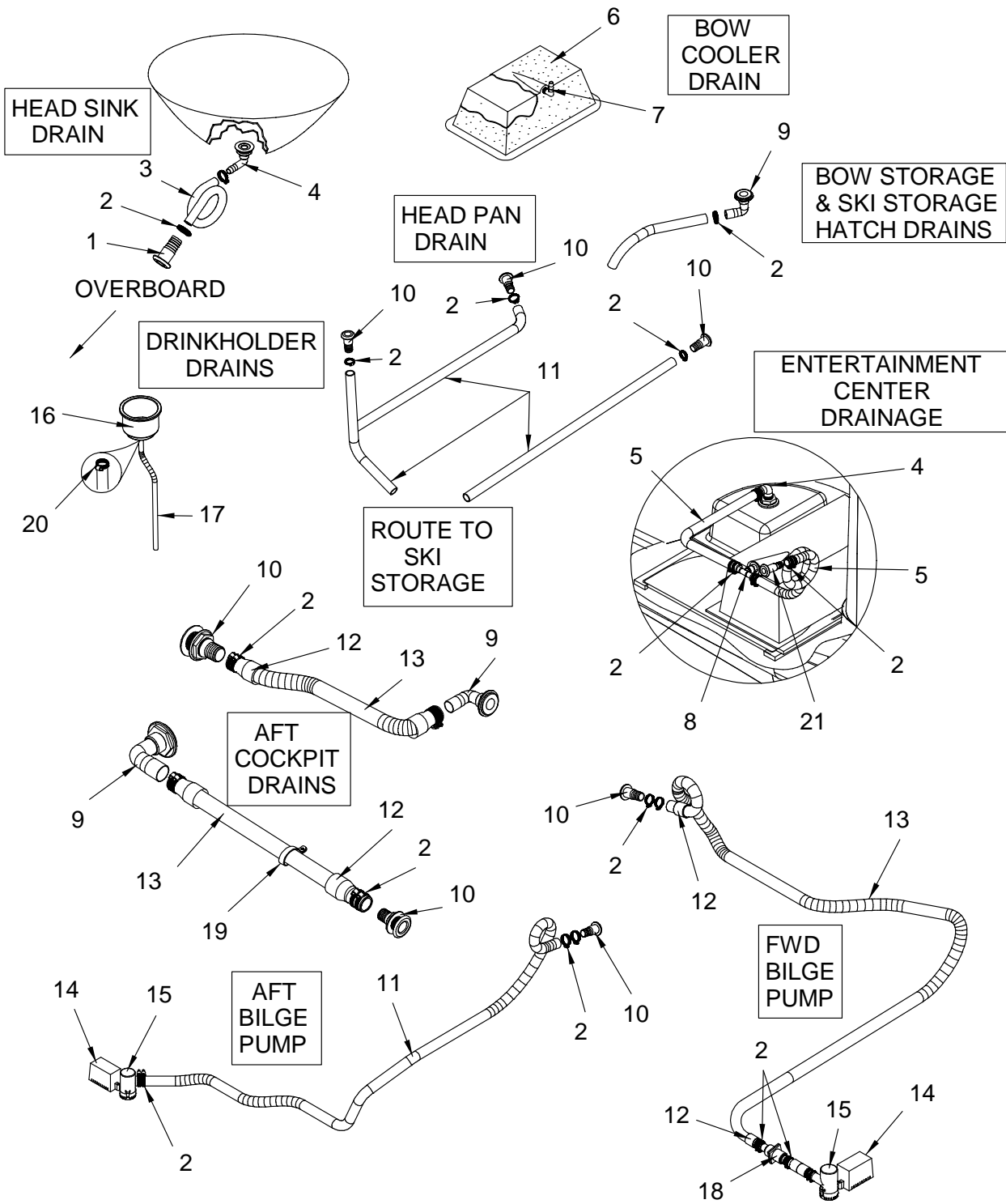
## SEWAGE SYSTEM

- |   |         |   |
|---|---------|---|
| 1 | 595512  | HEAD, PORTABLE MSD SANI POTTI PARCHMENT 5.2GL |
| 2 | 124719  | HOSE, SANI/CHEMICAL TDX 5/8"                  |
| 3 | 123844  | HOSE, SANI/SMOOTH WALL 1.5"                   |
| 4 | 256693  | CLAMP, HOSE #24 1"-2" SS .505                 |
| 5 | 1355585 | DECK PLATE, WASTE CHR STRAIGHT NCK BLK CODE   |
|   | 1474790 | DECK PLATE, CAP W/GASKET                      |
|   | 522599  | KEY, DECK PLATE CAP                           |
| 6 | 256677  | CLAMP, HOSE #12 1/2"-1.25" SS .505            |
| 7 | 126888  | VENT, FUEL/WATER TANK 5/8"X 3"                |

## NOT SHOWN

- |         |                                  |
|---------|----------------------------------|
| 1592583 | COVER, HDPE 270SD-02 HEAD ACCESS |
|---------|----------------------------------|

DRAINAGE SYSTEM



**DRAINAGE SYSTEM**

1	1121946	THRU-HULL, PLAS 3/4" PEARL
2	256685	CLAMP, HOSE #16 3/4"-1.5" SS .505
3	123885	HOSE, CORR BILGE 3/4" BLK
4	583427	DRAIN, W/PLUG 100DEG 3/4" BARB CHR
5	857706	HOSE, CORR VAC 5/8" PVC BILGE GREY
6	1036573	COOLER, 20"X 11"X 10" FOAMED MOLDED
7	167874	ELBOW, GENOVA 1/2"MPT X 1/2" BARB X 90DEG
8	845420	TEE, PVC 1/2" BARB X 1/2" BARB X 1/2" MPT
9	1392794	THRU-HULL, PLAS 1 1/8" TUBE X 90DEG PRL
10	1098417	THRU-HULL, PLAS 1 1/8" PRL
11	123901	HOSE, CORR BILGE 1 1/8" BLK
12	466615	HOSE CUFF, 1" RH WHT
13	466664	HOSE, CORR VAC 1" RH
14	1193671	SWITCH, FLOAT RULE W/CVR
15	1480094	PUMP, BILGE 1100GPH
16	1156009	DRINKHOLDR, PLAS 4"X 3" MUG SZ PRL W/NPL
17	124347	HOSE, PVC CLEAR 3/8"
18	294488	VALVE, CHECK PLAS W/O SPRING 1" FPT
19	123638	CLAMP, LOOM VINYL DIP 1.5"
20	123398	CLAMP, HOSE #06M 5/16"-7/8" SS MINI
21	1098425	THRU-HULL, PLAS 5/8" PEARL



**PEARL / PLATINUM / BLACK**

1603554 WELT, SEABROOK PLATINUM 5/32"

**350 MAG MPI BR 3 ( 300 PHP ) MCM STERN DR.**

1086990 OUTDRIVE UNIT, MERC BRAVO III 2.20:1  
 1360247 PROP, 14.25"X 22" CUP BR3 RH  
 1360239 PROP, 15.75"X 22" CUP BR3 LH  
 1291863 S/D, MERC 300HP 350MAG MPI W/RSR BR III

**MX 6.2 MPI BR 3 (320 PHP) MCM STERN DRIVE**

1086990 OUTDRIVE UNIT, MERC BRAVO III 2.20:1  
 708180 PROP, 14.25"X 22" SS BR3 RH  
 708172 PROP, 15.75"X 22" SS BR3 LH  
 1475144 S/D, MERC 320HP MX6.2 MPI W/RSR BR III

**496 MAG BR 3 ( 375 PHP ) MCM STERN DRIVES**

1583046 ACC PART, MERC EXHAUST INT ELBOW KIT  
 1583384 ACC PART, MERC EXHAUST PIPE (Y PIPE)  
 1579879 ACTUATOR, ROCKER BLK W/BLOCK LENS T/H EXH  
 648097 BODY, ROCK SW SPST BLK 12V INCAND  
 974089 CABLE, CONTROL TELEFLEX 16' 600A/MERC SERIES  
 256743 CLAMP, HOSE #72 3 1/8"-5" SS .505  
 124107 HOSE, EXHAUST 4" SW  
 1604305 MUFFLER, CAPT CALL W/SID TIPS 270SD-02 496MAG  
 1086974 OUTDRIVE UNIT, MERC BRAVO III 2:1  
 1623073 PROP, 14"X 26" SS BR3 RH CUPPED  
 1623065 PROP, 15.25"X 26" SS BR3 LH CUPPED  
 1524479 S/D, MERC 375HP 496 MAG W/RSR BR III

**496 MAG HO BR 3 ( 425 PHP ) MCM STERN DRIVE**

1583046 ACC PART, MERC EXHAUST INT ELBOW KIT  
 1583384 ACC PART, MERC EXHAUST PIPE (Y PIPE)  
 1579879 ACTUATOR, ROCKER BLK W/BLOCK LENS T/H EXH  
 648097 BODY, ROCK SW SPST BLK 12V INCAND  
 974089 CABLE, CONTROL TELEFLEX 16' 600A/MERC SERIES  
 256743 CLAMP, HOSE #72 3 1/8"-5" SS .505  
 124107 HOSE, EXHAUST 4" SW  
 1604305 MUFFLER, CAPT CALL W/SID TIPS 270SD-02 496MAG  
 1086974 OUTDRIVE UNIT, MERC BRAVO III 2:1  
 1623073 PROP, 14"X 26" SS BR3 RH CUPPED  
 1623065 PROP, 15.25"X 26" SS BR3 LH CUPPED  
 1524495 S/D, MERC 425HP 496 MAG HO W/RSR BR III

**BOW RIDER FILLER CUSHION**

1612001 270SD 02,CUSH SKIN,BOW SUNPAD FILLER HI#  
 1611995 270SD 02,CUSH,BOW SUNPAD FILLER HI#  
 991612 ANGLE, PVC 2"X 2"X 1/4"X 10' WHT  
 1599463 FOAM, P/C 270SD-02 BOW FILLER 2-PC SET  
 773630 MESH, WHITE 54"  
 1073741 PVC BOARD, 1/2"X 4'X 8' WHT LOW DEN  
 180406 SLIDE, DELRIN #5 WHT 1-S LOCK  
 1600253 VINYL, SEABROOK D PLATINUM EXP 1/4"F/B  
 1600261 VINYL, SEABROOK D PLATINUM EXP FLAT  
 180182 ZIPPER, #5 DELRIN CONTINUOUS WHT

**BOW THRUSTER**

129189 ANGLE, ALUM 1/8"X 1.5"X 1.5"X 16'  
 1587237 BOW THRUSTER, JOYSTICK (IMTRA)12/24V W/ON/OFF  
 1592401 BOW THRUSTER, SIDE PWR 77LB THRST W/3HP MOTOR  
 1592419 BOW THRUSTER, TUNNEL 125X900X4MM W/SM35S ONLY  
 1574920 CABLE, BATT SET 270SD-02 W/BOW THRSTR KIT  
 987446 FUSE BLOCK, BLADE TYPE ANL350/500  
 1585470 FUSE, ANL250 IGN PROTECTED  
 987115 LABEL, BOW THRUSTER  
 1073741 PVC BOARD, 1/2"X 4'X 8' WHT LOW DEN  
 766089 SWITCH, BATTERY ON/OFF W/O LOCK W/O DISC

**FIRE SUPPRESSION SYSTEM - AUTOMATIC**

196337 HALON SYS, AUTOMATIC 150CF (1301 HALON)

**COMPASS**

496521 COMPASS, FLUSH MT 3 7/8" BLK HOUSE/BLUE LIGHT

**BIMINI CANVAS PACKAGE**

1607019 CANVAS, 270SD-02 AFT CURT HNTR  
 1607027 CANVAS, 270SD-02 AFT CURT MEDB  
 1607001 CANVAS, 270SD-02 AFT CURT PTY  
 1607035 CANVAS, 270SD-02 AFT CURT TST  
 1606979 CANVAS, 270SD-02 SIDE CURT SET HNTR  
 1606987 CANVAS, 270SD-02 SIDE CURT SET MEDB  
 1606961 CANVAS, 270SD-02 SIDE CURT SET PTY

**BIMINI CANVAS PACKAGE (continued)**

1606995 CANVAS, 270SD-02 SIDE CURT SET TST  
 1607068 CANVAS, 270SD-02 VISOR CURT 3PC CLR/HNTR  
 1607084 CANVAS, 270SD-02 VISOR CURT 3PC CLR/MEDB  
 1607043 CANVAS, 270SD-02 VISOR CURT 3PC CLR/PTY  
 1607100 CANVAS, 270SD-02 VISOR CURT 3PC CLR/TST  
 878652 CANVAS, SPBOAT STRG BAG 10X70 XLRG GREY 97

**TRANSOM TRAILER TRIM SWITCH**

747261 SWITCH, TILT EXTERNAL MOUNT

**TWO TONE GELCOAT GRAPHICS**

1135565 GEL COAT, GALAXY BLUE TL/PX  
 1110287 GEL COAT, HNTR GRN TL/PX  
 793091 GEL COAT, JET BLK  
 1615632 TAPE, M/S 1"W/1/4"VOID GUNGRY/UMLTANT  
 1609239 TAPE, MOLD MASK 270SD-02 PRT  
 1609254 TAPE, MOLD MASK 270SD-02 STB  
 527549 TAPE, SOLID 3/4" GOLD MET CPM F/R  
 1597491 TAPE, SOLID 3/4" UM LT ANTELOPE  
 973693 THRU-HULL, CHR/BRZ 1 1/8"  
 973685 THRU-HULL, PLAS 5/8" CHROME

**C E OPTION GROUP**

140509 BOOT, ENG STARTER RED  
 1597046 FOAM, P/C 270SD-02 CONV BILGE CE OPT 2-PC SET  
 947507 HOSE, FUEL 5/8" ISO/CE  
 934539 LABEL, PREVENT DISCHARGE OF POLLUTANTS  
 1253616 MANUAL, OWNERS - INT'L 12-LANGUAGE  
 1580026 PLATE, CE OPT C:12PERSON/1360KG  
 766089 SWITCH, BATTERY ON/OFF W/O LOCK W/O DISC

**CORSA THRU-HULL EXHAUST SYSTEM**

1579879 ACTUATOR, ROCKER BLK W/BLOCK LENS T/H EXH  
 648097 BODY, ROCK SW SPST BLK 12V INCAND  
 256743 CLAMP, HOSE #72 3 1/8"-5" SS .505  
 124107 HOSE, EXHAUST 4" SW  
 1604313 MUFFLER, CAPT CALL W/SID TPS 270SD-02 6.2/350

**AUDIO UPGRADE PACKAGE SUBWOOFER,AMP & SPKRS**

731182 CABLE, RCA AUDIO "Y" (1-FM/ 2-M)  
 1440593 SPEAKER, 10" SUBWOOFER CM2502  
 1440544 SPEAKER, COAXIAL EXT 6.5" CM1622  
 1589357 SPEAKER, COMPONENT EXT 6.5" CM1632  
 1440569 STEREO, AMP CLARION APA4204 4CHNL