

**2007 270SD**

**PARTS MANUAL**

**270**

**SUNDECK®**



Sea Ray® Parts Manual, 2007 270 SUNDECK MRP #  
Sea Ray Boats, 2600 Sea Ray Blvd., Knoxville, TN 37914. For information call 1-800-SRBOATS or fax 1-314-213-7878 (USA and International).  
Internet address: <http://www.searay.com>

Note: Not all accessories shown in pictures or described herein are standard equipment or even available as options.  
Options and features are subject to change without notice.

Confirm the availability of all accessories and equipment with an authorized Sea Ray® dealer.

# 2007 270 SUNDECK

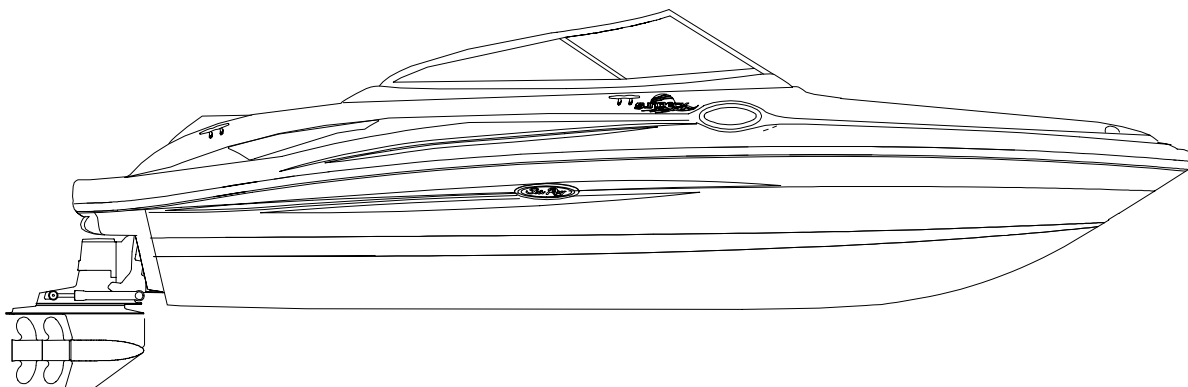
## TABLE OF CONTENTS



<b>STANDARD &amp; OPTIONAL LAYOUTS</b>	<b>PAGE</b>
GELCOATS	1
EXTERIOR (HULL AND TRANSOM STORAGE)	2, 3
EXTERIOR (DECK)	4, 5
EXTERIOR (WINDSHIELD)	6
WATER SPORTS TOWER	7, 8
EXTERIOR (GRAPHICS) TWO TONE - PEWTER	9
EXTERIOR (GRAPHICS) TWO TONE - CINNABAR	10
EXTERIOR (GRAPHICS) BLUE COLORED HULL	11
EXTERIOR (GRAPHICS) BLACK COLORED HULL	12
CANVAS (BLACK)	13, 14
CANVAS (BLUE)	15, 16
COCKPIT (FORWARD PORT VIEW)	17, 18
COCKPIT (PORT VIEW)	19
COCKPIT (FORWARD STARBOARD VIEW)	20, 21
COCKPIT (AFT STARBOARD VIEW)	22
COCKPIT (HELM)	23, 24
INSTRUMENT PANEL	25
SWITCH PANEL	26, 27
IGNITION SWITCH PANEL	28
NORTHSTAR NS100SS VHF RADIO	29
SATELLITE STEREO SYSTEM	30
COCKPIT (UPHOLSTERY)	31, 32
COCKPIT (SNAP-IN CARPET LINER)	33
INTERIOR	34
HEAD	35, 36
MULTI-INFO PACKET	37
RIVERVIEW HARDWARE	38, 39
BILGE	40, 41
STEERING SYSTEM	42, 43
FUEL SYSTEM	44, 45
WATER SYSTEM	46, 47
SEWAGE SYSTEM	48
SEWAGE SYSTEM (VACUUM FLUSH HEAD W/HOLDING TANK)	49, 50
DRAINAGE SYSTEM	51, 52

<b>OPTIONS - PARTS LIST</b>	<b>PAGE</b>
496 MAG DTS BR3 ( 375 PHP ) MCM STERN DRIVE	53
496 MAG HO DTS BR3 (425PHP) MCM STERN DRIVE	53
MX 6.2L MPI BR 3 (320 PHP) MCM STERN DRIVE	53
ON BOARD BATTERY CHARGER 120V/60 TO 12V	53
ON BOARD BATTERY CHARGER - 220V/50 TO 12V	53
FLAG POLE & BASE, U.S. FLAG	53
AUSTRALIAN BUILDERS PLATE	53
2ND STEREO REMOTE CONTROL -TRANSOM	53
PREMIER STEREO UPGRADE	53
DOCKING LIGHTS	53
ZZ UNREFERENCED ACCESSORY GROUP ITEMS	53
MIRROR, SKI TOW	53
24" BRAVO 3 SET (2 COUNTER ROTATING PROPS)	53
26" BRAVO 3 SET (2 COUNTER ROTATING PROPS)	53
PUMP-OUT HEAD	53
VACUUM FLUSH HEAD W/HOLDING TANK	53
BOATER SAFETY KIT	53
FM-200 OPTIONAL FIRE SUPPRESSION SYS-INT'L	53
TWO TONE GELCOAT	53
FILLER CUSHIONS	53
BOW THRUSTER	53
FIRE SUPPRESSION SYSTEM - AUTOMATIC	53
COCKPIT COVER W/ TONNEAU COVER	53
BIMINI CANVAS PACKAGE	54
TRANSOM TRIM SWITCH	54
CD CHANGER, 6 DISC	54
INT'L TRAILER - GALV.W/ ROLLERS	54
INT'L TRAILER - PAINTED W/ BUNK	54
INT'L TRAILER-PAINTED W/ROLLERS	54
INT'L TRAILER - GALV. W/ BUNK	54
C E OPTION GROUP	54
C E FIRE SYSTEM - EUROPEAN DEALERS ONLY	54
2.2 TO 1 BRAVO 3 HIGH ALTITUDE GEAR RATIO	54
2.43 TO 1 BRAVO 3 HIGH ALTITUDE GEAR RATIO	54
FORWARD BIMINI TOP & BOOT	54
CORSA THRU-HULL EXHAUST SYSTEM - SINGLE ENG	54
VHF RADIO - W/ ANTENNA	54
CANADIAN CONFORMITY STICKER	54
W.S.TOWER W/INTEGRAL BIMINI/WAKEBOARD RACKS	54
INTERNATIONAL IN-SERVICE CHECKLIST	54
BOW TABLE	54

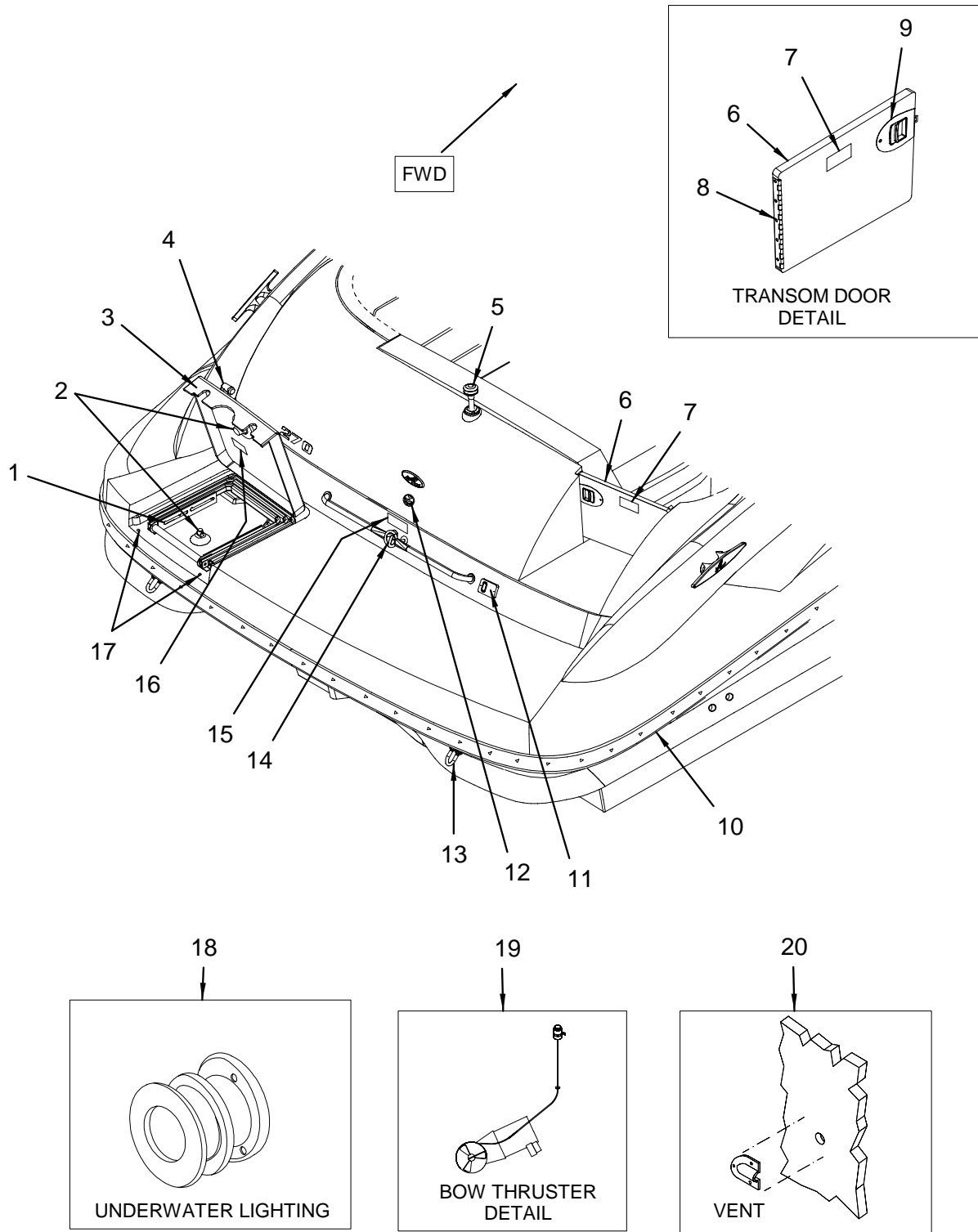
## GELCOATS



## GELCOATS

- 1425347 GEL COAT, ENVIROTECH SR BILGE PEARL  
(HULL, DECK AND SMALL PARTS)
- 1799861 GEL COAT, NICKLE MMHP  
(DASH)
- 1837243 GEL COAT, PEARL AOC  
(HULL, DECK AND SMALL PARTS)
- 1310416 GEL COAT, GALAXY BLUE  
(TWO TONE GELCOAT)
- 1799711 GEL COAT, MMHP MIDNIGHT BLUE  
(TWO TONE GELCOAT - PEARL/BLUE)
- 1799781 GEL COAT, NEW PEWTER VALSPAR  
(TWO TONE GELCOAT - PEARL/PEWTER)
- 1801663 GEL COAT, CINNABAR PEARL  
(TWO TONE GELCOAT - PEARL/CINNABAR)
- 1690845 GEL COAT, JET BLK  
(TWO TONE GELCOAT - PEARL/BLACK)

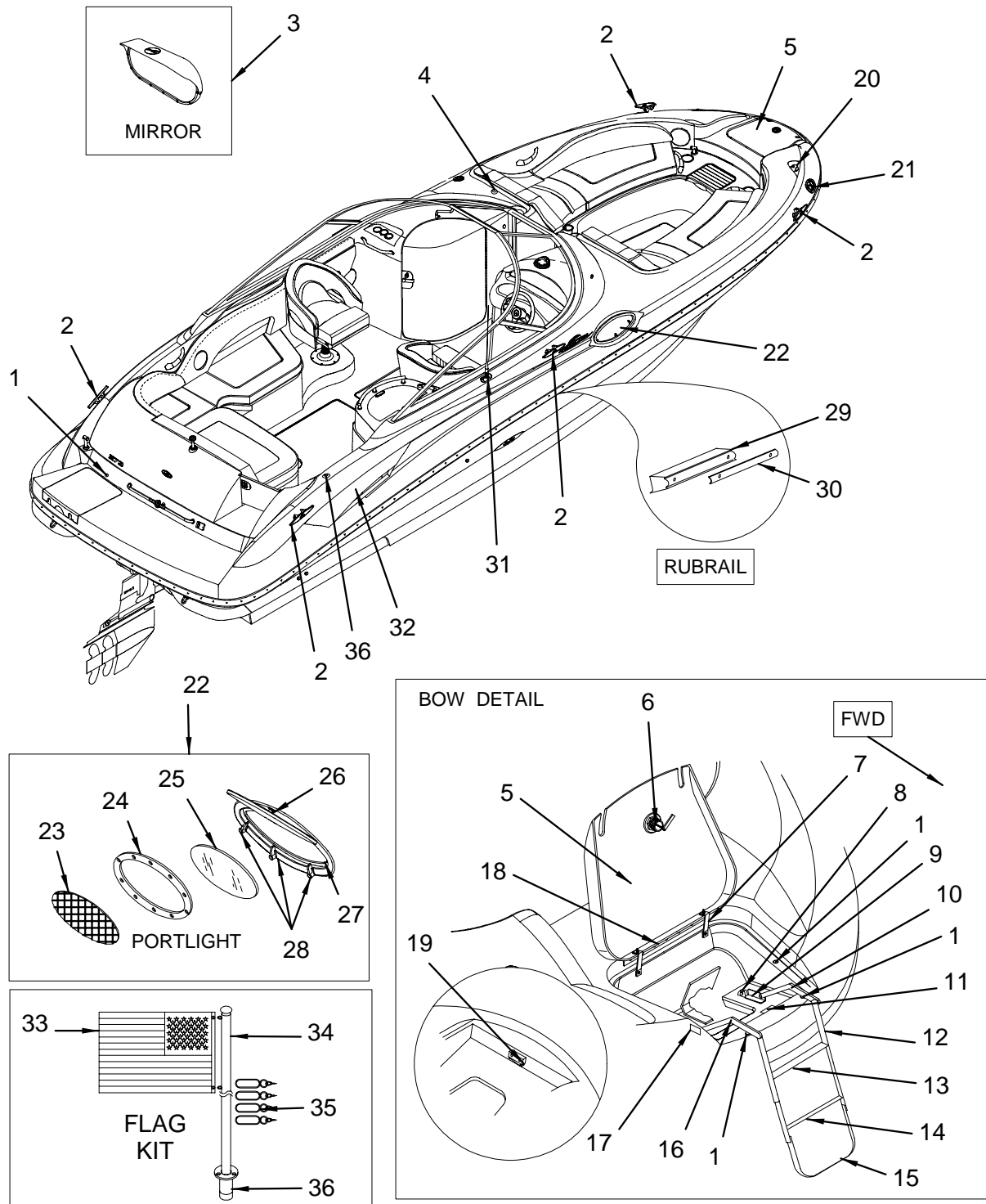
EXTERIOR (HULL AND TRANSOM STORAGE)



## EXTERIOR (HULL AND TRANSOM STORAGE)

1	1798013	LADDER, SWIM 3 STEP SS SR CUSTOM STEP TREADS	19	1819997	BOW THRUSTER, ZINC ANODE F/1592401/1808795 (PART OF BOW THRUSTER 1808795) (BOW THRUSTER)
	1848225	LADDER, TREAD UPR (PART OF LADDER 1798013)		1687651	BOW THRUSTER, CABLE SIDE POWER CNTRL EXTEN (BOW THRUSTER)
	1848227	LADDER, TREAD MIDDLE (PART OF LADDER 1798013)		1592419	BOW THRUSTER, TUNNEL 125X900X4MM W/SM35S ONLY (BOW THRUSTER)
	1848229	LADDER, TREAD LWR (PART OF LADDER 1798013)		1765067	BOW THRUSTER, JOYSTICK (IMTRA)12/24V W/ON/OFF (BOW THRUSTER)
2	1746047	HOLDER, MAGNETIC SHORT		987446	FUSE BLOCK, BLADE TYPE ANL350/500 (BOW THRUSTER)
3	1851439	270SD 07,HATCH,SWIM LDR FBRGLS		1585470	FUSE, ANL250 IGN PROTECTED (BOW THRUSTER)
	844753	HINGE, SS CONT 2"X 15" W/1/8" PIN		1690154	FITTING, 90 DEG ELBOW OIL SM35S (BOW THRUSTER)
4	1775029	SHOWER, SPRAY BLK NOZZLE W/8' VINYL HOSE		1726841	SWITCH, BATTERY ON/OFF N/LCK N/DISC RV1 (BOW THRUSTER)
	1795431	THRU-HULL, CHR PLTD BRASS SPRAY HLDR (PART OF SHOWER SPRAY 1775029)		1239458	HOLDER, BATTERY GR27/31 BLK NYLON W/SS (BOW THRUSTER)
5	1691097	LIGHT, NAV A/R STERN 72" FLDABLE 7DEG 02 (NOT USED WITH SPORTS TOWER W/BIMINI TOP W/WAKEBOARD RACKS - A DIFFERENT STERN LIGHT IS LOCATED ON SPORTS TOWER)		1574920	CABLE, BATT SET 270SD-02 W/BOW THRSTR KIT (BOW THRUSTER)
	1628536	BULB, REPL FOR #1603398 (BULB FOR LIGHT 1691097) (NOT USED WITH SPORTS TOWER W/BIMINI TOP W/WAKEBOARD RACKS - A DIFFERENT STERN LIGHT IS LOCATED ON SPORTS TOWER)		1258979	BOOT, BATTERY CABLE 105C "T" BLK 4/0 (BOW THRUSTER)
	1771002	LIGHT, NAV BASE ONLY STRN TEARDROP RV1 W/CONN (PART OF LIGHT 1691097) (NOT USED WITH SPORTS TOWER W/BIMINI TOP W/WAKEBOARD RACKS - A DIFFERENT STERN LIGHT IS LOCATED ON SPORTS TOWER)		130849	BOOT, BATTERY CABLE RED (BOW THRUSTER)
	1800868	LIGHT, NAV A/R LENS CVR ONLY ANTI-GLARE (PART OF LIGHT 1691097) (NOT USED WITH SPORTS TOWER W/BIMINI TOP W/WAKEBOARD RACKS - A DIFFERENT STERN LIGHT IS LOCATED ON SPORTS TOWER)		1751061	LABEL, BOW THRUSTER (BOW THRUSTER)
	1771001	LIGHT, BASE ROUND NAV STERN LIGHT CHR W/CONN (NOT USED WITH SPORTS TOWER W/BIMINI TOP W/WAKEBOARD RACKS - A DIFFERENT STERN LIGHT IS LOCATED ON SPORTS TOWER)	20	533430	VENT, CLAMSHELL ROPE LCKR 2"X2"
6	1584663	DOOR, HDPE 270SD-02 TRNSM W/HINGE PRL			
7	1743571	LABEL, DANGER TRANSOM DOOR (LEXAN)			
8	1745895	HINGE, 270SD-02 TRNSM DOOR (1584663) (PART OF DOOR 1584663)			
9	1612399	LATCH, #7710 OMNI SPRNG 3/4" N/ LCK (PART OF DOOR 1584663)			
	1684899	DOOR KEEPER, #7709 BLK PLAS FOR OMNI 3/4" (PART OF DOOR 1584663)			
	1684900	STRIKER, #7720 3/4"SS FOR OMNI SPRNG W/DSTBN (PART OF DOOR 1584663)			
10	1156215	RUBRAIL, PVC PEARL 13.5"(SS INSERT)			
	1156223	RUBRAIL, PVC PEARL 17"(SS INSERT)			
	1080100	INSERT, RUB RAIL SS 3/4"X 12' (.062/304SS)			
11	747261	SWITCH, TILT EXTERNAL MOUNT (TRANSOM TRIM SWITCH)			
12	1803477	STEREO, REMOTE CNTRL N/DSPBL BLK FACE/SS BZL (2ND STEREO REMOTE CONTROL -TRANSOM)			
	935080	CABLE, CLARION DUAL REMOTE "Y" (2ND STEREO REMOTE CONTROL -TRANSOM)			
	1312750	CABLE, CLARION REMOTE EXTENSION CABLE 24' (2ND STEREO REMOTE CONTROL -TRANSOM)			
13	126599	EYE, STERN 1/2"X 3 7/16" W/BACKING PLATE			
	1473040	PLATE, BACKING UNIVERSAL 3/16"			
14	1747837	RAIL, STERN W/SKI TOW POLISHED 316L			
15	1745125	LABEL, SKI TOW ROPE BACKLASH			
16	1745519	LABEL, DANGER SHUT OFF ENG WHEN NEAR SWIMMERS			
17	274373	BUMPER, CANOE CLIP MED WHT			
18	1791005	LIGHT, DOCKING SS 12V/50W W/ CONN (DOCKING LIGHTS)			
	1800852	BULB, REPL FOR DOCKING LIGHT SS 12V/50W (BULB FOR LIGHT 1791005)			
	1800853	LIGHT, DOCKING SS 12V/50W LENS CVR ONLY (PART OF LIGHT 1791005)			
	1757312	SWITCH, TOGGLE CHR W/BLU IND SPST (DOCKING LIGHTS)			
	1737371	WASHER, LOCK INT TOOTH NCKL PLATED (PART OF SWITCH 1757312)			
	1787018	NUT, NICKEL FOR TOGGLE SWITCH (DOCKING LIGHTS)			
19	1808795	BOW THRUSTER, SIDE PWR 77LB THRST SEALED GEAR (BOW THRUSTER)			
	1807469	BOW THRUSTER, PROP LOCK NUT F/1592401 (PART OF BOW THRUSTER 1808795) (BOW THRUSTER)			
	1807470	BOW THRUSTER, PROP WASHER F/1592401 (PART OF BOW THRUSTER 1808795) (BOW THRUSTER)			
	1819995	BOW THRUSTER, PROP F/1592401 (PART OF BOW THRUSTER 1808795) (BOW THRUSTER)			

EXTERIOR (DECK)



## EXTERIOR (DECK)

1	274373	BUMPER, CANOE CLIP MED WHT
2	1777987	CLEAT, 8" SEA RAY SS 2-BOLT
	1473040	PLATE, BACKING UNIVERSAL 3/16"
3	1888287	MIRROR, SKI SS W/SS MOUNT W/EXTENDED MOTION (MIRROR, SKI TOW)
4	1757933	ANTENNA, SHAKESPEARE SATELLITE RADIO ANTENNA
5	1851436	270SD 07,HATCH,R/L FBRGLS
6	1781437	LATCH, COMPRESSION 2"N/LOCKING SS (ORDER LATCH, PLATE AND CATCH FOR COMPLETE LATCH)
	1781440	PLATE, DEEP BRKT 2"W/HDWR PKG SS
	1781445	CATCH, PAWL 2"DEEP OFFSET SHORT SS
7	156893	WEBBING, POLYPROPYLENE 1" BLACK
8	590646	CLIP, POLE STRG BLK - MAST LIGHT
9	1229335	LADDER, SWIM BRKT RH (PART OF LADDER 1155282)
10	1229384	LADDER, SWIM ARM RH (PART OF LADDER 1155282)
11	1760140	SHIM, PVC LADDER HATCH CATCH 1/2" WHT
12	1155282	LADDER, SWIM 3-STEP POCKET PRL NYLON COATING
	1229343	LADDER, SWIM BLOCK NYLON STOP (PART OF LADDER 1155282)
	1229350	LADDER, SWIM HDWR KIT FOR MRP #1155282/808782 (PART OF LADDER 1155282)
13	1229400	LADDER, SWIM UPR SECTION (PART OF LADDER 1155282)
14	1229418	LADDER, SWIM LWR SECTION (PART OF LADDER 1155282)
15	1229392	LADDER, SWIM STEP RIBBED "U" (PART OF LADDER 1155282)
16	1229376	LADDER, SWIM ARM LH (PART OF LADDER 1155282)
17	1229368	LADDER, SWIM BRKT LH (PART OF LADDER 1155282)
18	844753	HINGE, SS CONT 2"X 15" W/1/8" PIN
19	1223676	CLEAT, HDPE 190SDOB-99 ROPE LCKR PRL
20	1771013	LIGHT, NAV SIDE SS HORZ 12V W/CONN
	1423946	BULB, REPL FOR #1414895 12V (BULB FOR LIGHT 1771013)
	1798179	LIGHT, NAV SIDE SS LENS CVR ONLY(RED/PRT) (PART OF LIGHT 1771013)
	1798182	LIGHT, NAV SIDE SS LENS CVR ONLY(GRN/STB) (PART OF LIGHT 1771013)
21	1837054	HORN, SGL CONCEALED W/SS GRILL/CONN
	1840005	HORN GRILL, SGL CONCEALED SS (PART OF HORN 1837054)
	1836433	HARNESS, HORN ADAPTOR FIAMM
22	1453992	PORTLIGHT, OPENING ALL SS 3/8"-7/8" MOD REV1
23	1331313	PORTLIGHT, SCREEN 3/8"X 7/8" (PART OF PORTLIGHT 1453992)
24	1513183	TRIM RING, PORTLIGHT 3/8" SS (PART OF PORTLIGHT 1453992)
25	1331750	PORTLIGHT, LENS ONLY (BOMAR) (PART OF PORTLIGHT 1453992)
26	866434	KNOB, PORTLIGHT KNOB ONLY (BOMAR) (PART OF PORTLIGHT 1453992)
27	1314459	PORTLIGHT, GASKET SATURATED FOAM (PART OF PORTLIGHT 1453992)
	1331735	PORTLIGHT, GASKET ONLY (BOMAR) (PART OF PORTLIGHT 1453992)
28	1107044	PORTLIGHT, HANDLES QUICKDOGS (BOMAR) (PART OF PORTLIGHT 1453992)
29	1156215	RUBRAIL, PVC PEARL 13.5"(SS INSERT)
	1156223	RUBRAIL, PVC PEARL 17"(SS INSERT)
30	1080100	INSERT, RUB RAIL SS 3/4"X 12' (.062/304SS)
31	1286921	ANTENNA, 36" GLOMEX SS RA106 N/MNT N/CONN (VHF RADIO - W/ ANTENNA)
	115311	MOUNT, RATCHET VHF 4-WAY W/1"-14 MALE THD SS (VHF RADIO - W/ ANTENNA)
	1794094	SHIM, VHF ANTENNA MOUNTING 270SLX (VHF RADIO - W/ ANTENNA)
	122853	FITTING, WATER TIGHT OUTLET FOR 5/16" CABLE (VHF RADIO - W/ ANTENNA)
32	1587401	COVER, DR/ABS 270SD-02 DECK VENT PRL STBD
	1587393	COVER, DR/ABS 270SD-02 DECK VENT PRL PORT
33	1838426	FLAG, USA 16" X 24" (FLAG POLE & BASE, U.S. FLAG)
34	1838431	POLE, FLAGSTAFF SS MAGNETIC SPRTBT/SPRTCRSR (FLAG POLE & BASE, U.S. FLAG)
35	1854249	CLIP, FLAG KEY RNG 302SS (HULL#1024->UP) (FLAG POLE & BASE, U.S. FLAG)
	706747	CLIP, FLAG (HULL#1001->1023) (FLAG POLE & BASE, U.S. FLAG)
36	1848879	HOLDER, FLUSH MOUNT MAGNETIC STERN FLAG POLE (FLAG POLE & BASE, U.S. FLAG)

## LABELS

129122	LABEL, NMMA CERTIFIED
1743507	LABEL, DOOR MUST BE SECURED UNDERWAY
1791388	DECAL, MERCURY CERTIFIED INSTALLER
1750454	DECAL, SEA RAY OWNERS CLUB (NBOA) RV
1811367	LABEL, DANGER CO TRANSOM 06

## NOT SHOWN

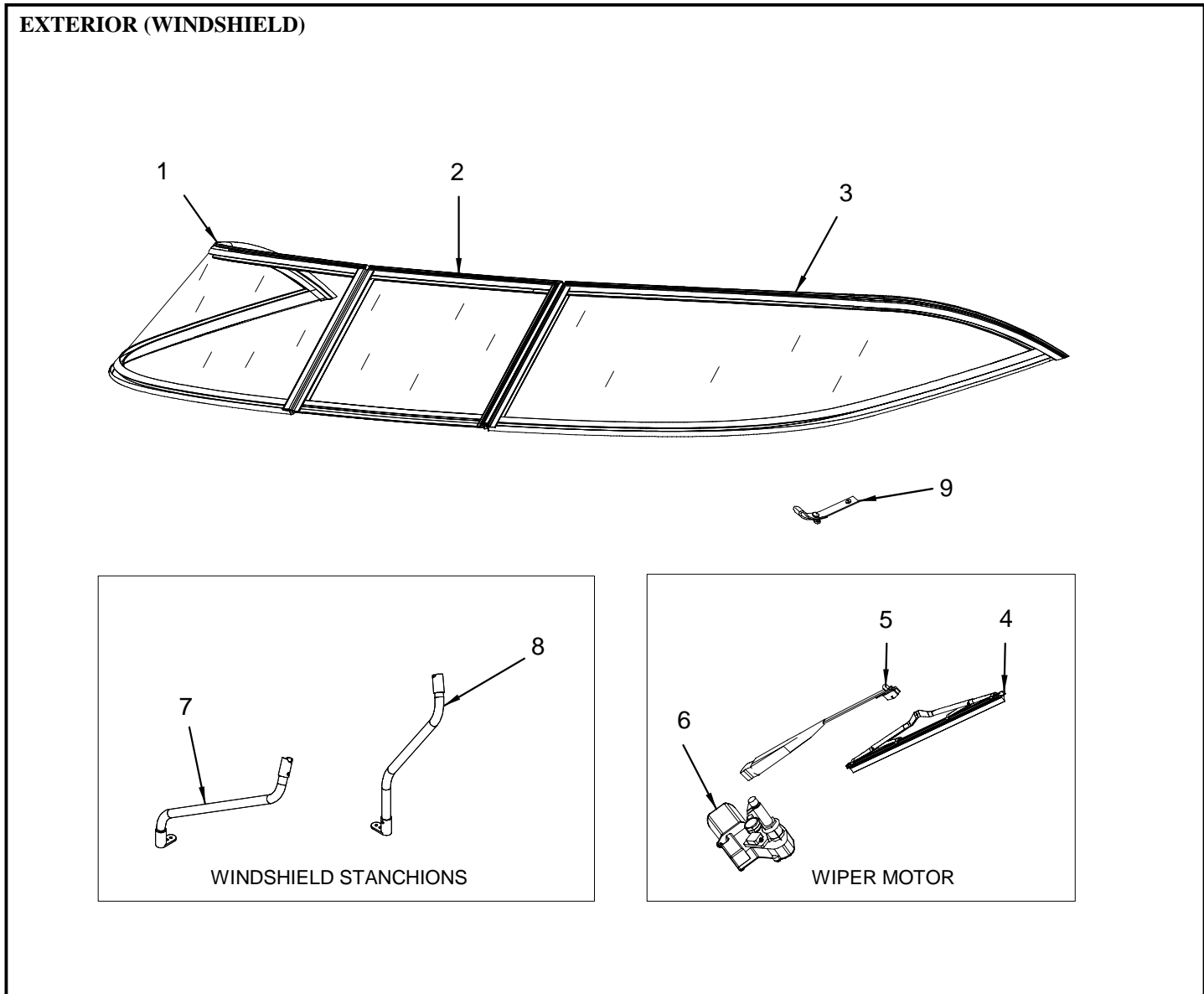
1690996	FLANGE, RED BRASS DRAIN PLUG 1.25"
836023	BRACKET, ALUM 1.5"X 1.5"X 1.5" 3/16"HOLES
1848242	KIT, SAFETY PACKAGE-SPCRUIS W/WHT FNDRS/LINE (BOATER SAFETY KIT)

## TRAILERS

1755983	TRAILER, 270SD/260DA INT'L PAINTED W/BUNK (INT'L TRAILER - PAINTED W/ BUNK)
1755984	TRAILER, 270SD/260DA INT'L PAINTED W/ROLLER (INT'L TRAILER-PAINTED W/ROLLERS)
1755986	TRAILER, 270SD/260DA INT'L GALV W/ROLLER (INT'L TRAILER - GALV.W/ ROLLERS)
1755985	TRAILER, 270SD/260DA INT'L GALV W/BUNK (INT'L TRAILER - GALV. W/ BUNK)

## VAC PACK

413070	TAPE, VAC PAK WHT (2"X 36YDS) PRESERVATION
468934	TAPE, VAC PAK WHT (4"X 36YDS) PRESERVATION
1595073	VINYL FILM, 270SD-02 PLAS CVR W/VENTS
575548	VINYL FILM, POLY BAG 40"X 72"X 4MM
663765	BUBBLE PACK, ADH 4"X 300"
1727511	EMBLEM, VACPAC SR LOGO W/ISO/CE SML
1810917	CRADLE, STRG 12' 240-270 MODELS (OVERSEAS SHIPPING CRADLE)



**EXTERIOR (WINDSHIELD)**

- 1 1799780 W/S, 270SD-06 STB FRNT W/SNPCLCKTRK BALL/SCKT  
(NOTE: ORDER DIRECT FROM TAYLOR)
- 1778080 W/S, 270SD-05 STB FRNT W/TWR N/SPRTS W/SNPCLK  
(NOTE: ORDER DIRECT FROM TAYLOR)  
(W.S.TOWER W/INTEGRAL BIMINI/WAKEBOARD RACKS)
- 2 1803500 W/S, 270SD-06 DOOR W/SNP CLK, MAG CLIP TRK  
(NOTE: ORDER DIRECT FROM TAYLOR)
- 1812240 W/S, 270SD-06 HDWR KIT  
(PART OF W/S 1803500)  
(NOTE: ORDER DIRECT FROM TS ORDER DIRECT FROM TAYLOR)
- 1812241 W/S, 270SD-06 SCREW CVR  
(PART OF W/S 1803500)  
(NOTE: ORDER DIRECT FROM TS ORDER DIRECT FROM TAYLOR)
- 3 1799779 W/S, 270SD-06 PRT FRNT W/SNPCLCKTRK BALL/SCKT  
(NOTE: ORDER DIRECT FROM TAYLOR)
- 1778078 W/S, 270SD-05 PRT FRNT W/TWR N/SPRTS W/SNPCLK  
(NOTE: ORDER DIRECT FROM TAYLOR)  
(W.S.TOWER W/INTEGRAL BIMINI/WAKEBOARD RACKS)
- 4 1748550 WIPER BLADE, 18" FLEX BLACK (AM)
- 5 1748544 WIPER ARM, 11"-16" BLACK (AM)
- 6 1753656 WIPER MOTOR, 85 DEG (AM) W/3" SHAFT
- 1753304 HARNESS, MOTOR AM WIPER 6" PIGTAIL
- 7 1588987 SUPPORT, W/S 270SD-02 PORT
- 8 1588995 SUPPORT, W/S 270SD-02 STBD
- 9 1885254 270SD 07,STRAP,W/S 1" WEBBING W/SNAP

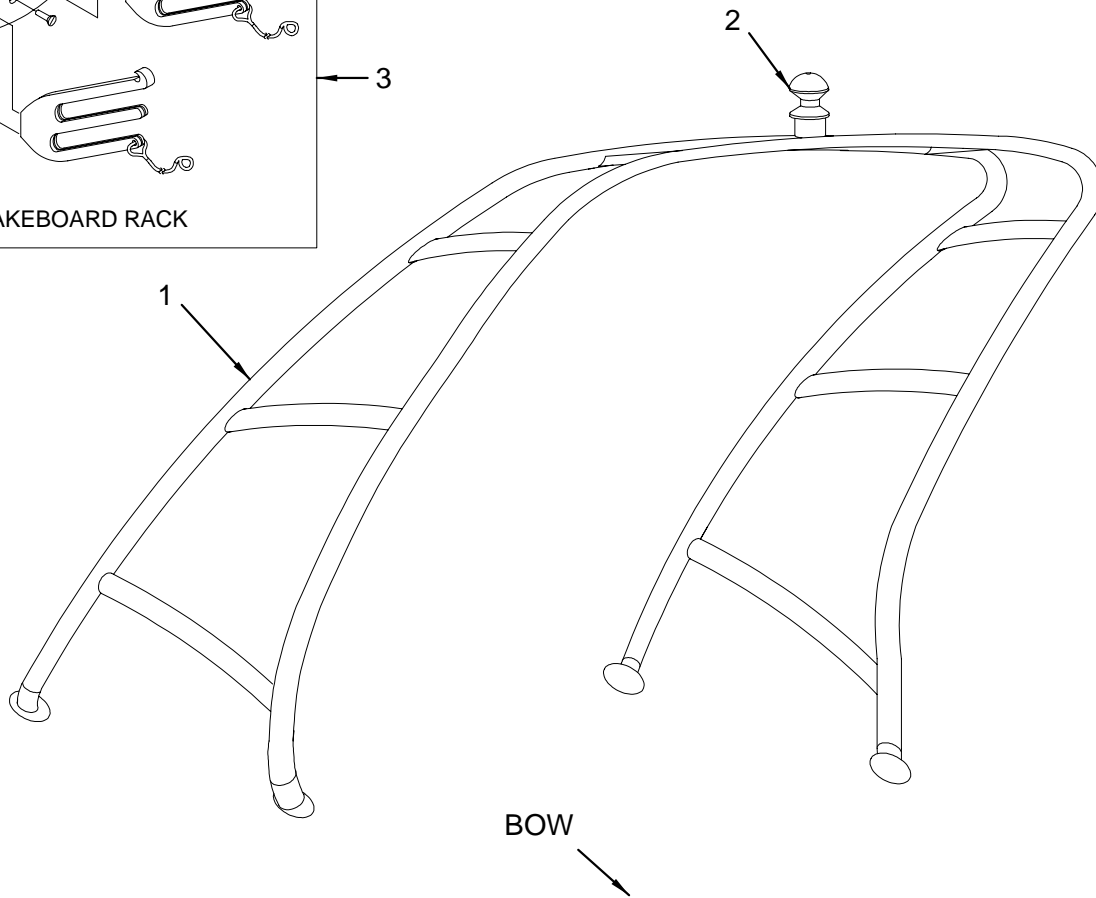
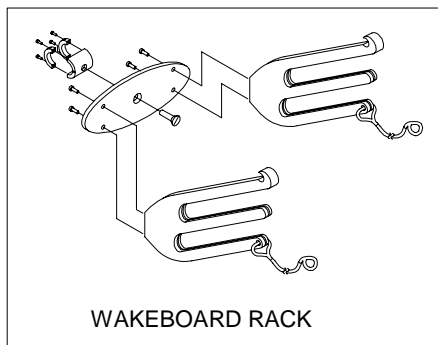
9 156893 WEBBING, POLYPROPYLENE 1" BLACK

**NOT SHOWN**

1785544 VINYL, W/S GASKET 2005  
(NOTE: ORDER DIRECT FROM TAYLOR)



**WATER SPORTS TOWER**



**WATER SPORTS TOWER**

- 1 1783972 TOWER, 270SD-05 ALUM WTR SPRTS W/STERN LIGHT
- 1793145 TOWER, 270SD-05 WTR SPRTS HDWR KIT  
(PART OF TOWER 1783972)  
(SEE HARDWARE FOR SEPARATE COMPONENTS)
- 2 1792995 LIGHT, ASSY WTR SPRTS TWR  
(PART OF TOWER 1783972)
- 1792997 LENS COVER, LIGHT WTR SPRTS TWR  
(PART OF LIGHT 1792995)
- 1838216 TOWER, ALUM WTR SPRTS SKI TOW EXTEN (LONG)  
(PART OF LIGHT 1792995)
- 1838219 TOWER, ALUM WTR SPRTS SKI TOW GASKET  
(PART OF LIGHT 1792995)
- 1851701 SCREW, CAP 1/2" SCH #10-24 WTR SPRTS TWR  
(PART OF LIGHT 1792995)
- 1851714 TOWER, ALUM WTR SPRTS SKI TOW EXTEN (SHORT)  
(PART OF LIGHT 1792995)
- 1786804 HARNESS, TOWER 137"
- 1792998 SKI TOW BASE, ASSY WTR SPRT TWR  
(PART OF TOWER 1783972)
- 1792999 SKI TOW BASE, TOP ONLY WTR SPRTS TWR  
(PART OF SKI TOW BASE 1792998)
- 1793000 SKI TOW BASE, NYLON BASE ONLY WTR SPRTS TWR  
(PART OF SKI TOW BASE 1792998)
- 1793002 SKI TOW BASE, WELDED PIECE WTR SPRTS TWR  
(PART OF SKI TOW BASE 1792998)
- 3 1783635 SUPPORT, SR-05 ALUM WAKEBOARD RACK ANODIZED  
(INDIVIDUAL COMPONENTS NOT SOLD SEPARATELY AT THIS

- 3
- 1443191 TIME)
- EMBLEM, S/R WAVE 5" OVAL CHR TRNSM  
(PART OF SUPPORT 1783635)
- 1799419 SUPPORT, SR-05 ALUM WAKEBOARD RACK HDWR KIT  
(PART OF SUPPORT 1783635)

**HARDWARE**

- 1747371 BOLT, WATER SPORTS TWR 1/4-20-3"  
(PART OF HDWR 1793145)
- 1747372 NUT, NYLON LOCK 1/4-20 WTR SPRTS TWR  
(PART OF HDWR 1793145)
- 1747373 WASHER, WATER SPORTS TWR 1/4-20 FENDER  
(PART OF HDWR 1793145)
- 1762807 PLATE, BACKING WTR SPRTS TWR SR  
(PART OF HDWR 1793145)
- 1784031 GASKET, WTR SPORTS TWR OVAL  
(PART OF HDWR 1793145)
- 1809246 WRENCH, ALLEN F/ALUM TWR  
(PART OF HDWR 1793145)

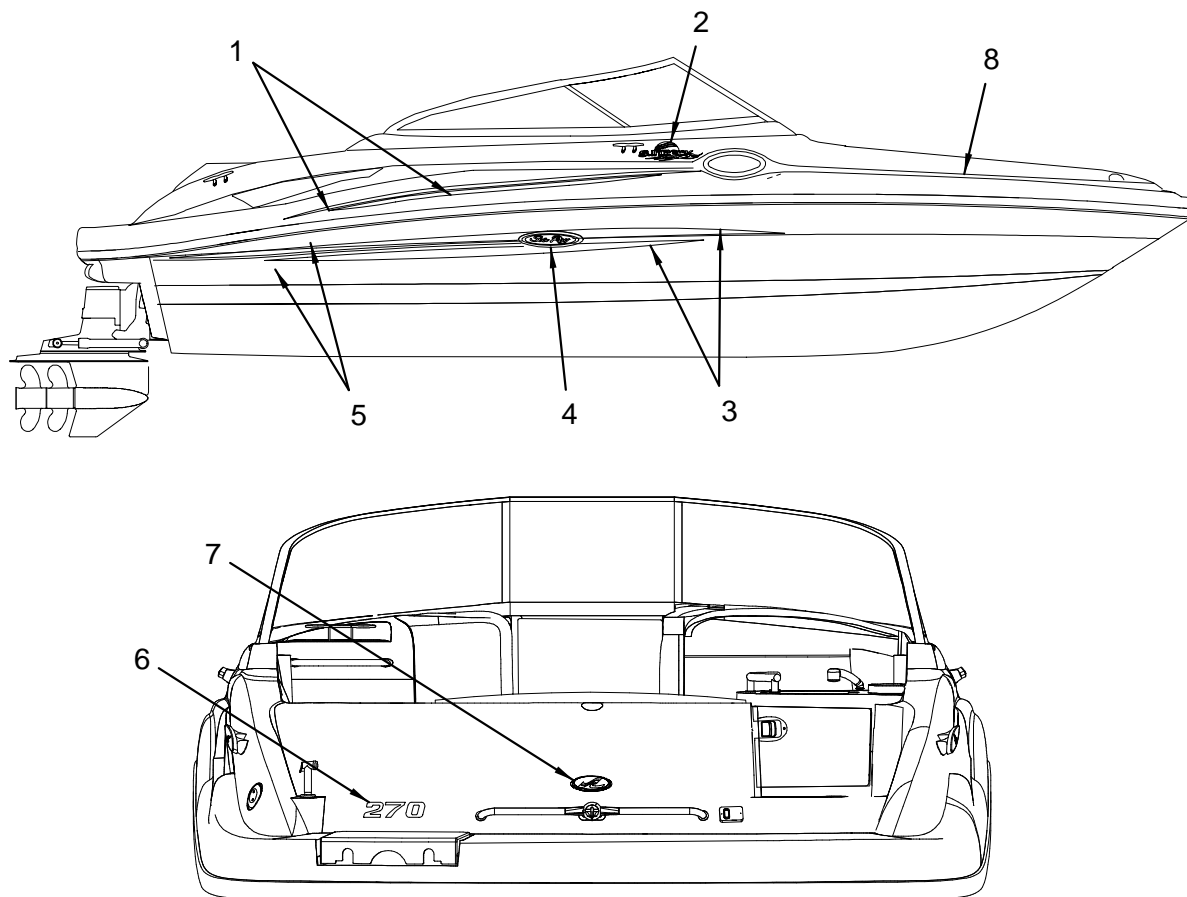
**LABELS**

- 1745125 LABEL, SKI TOW ROPE BACKLASH

**NOT SHOWN**

126870 VENT, CLAMSHELL ROPE LCKR 1 5/8"X 1.5"  
1595073 VINYL FILM, 270SD-02 PLAS CVR W/VENTS

**EXTERIOR (GRAPHICS) TWO TONE - PEWTER**



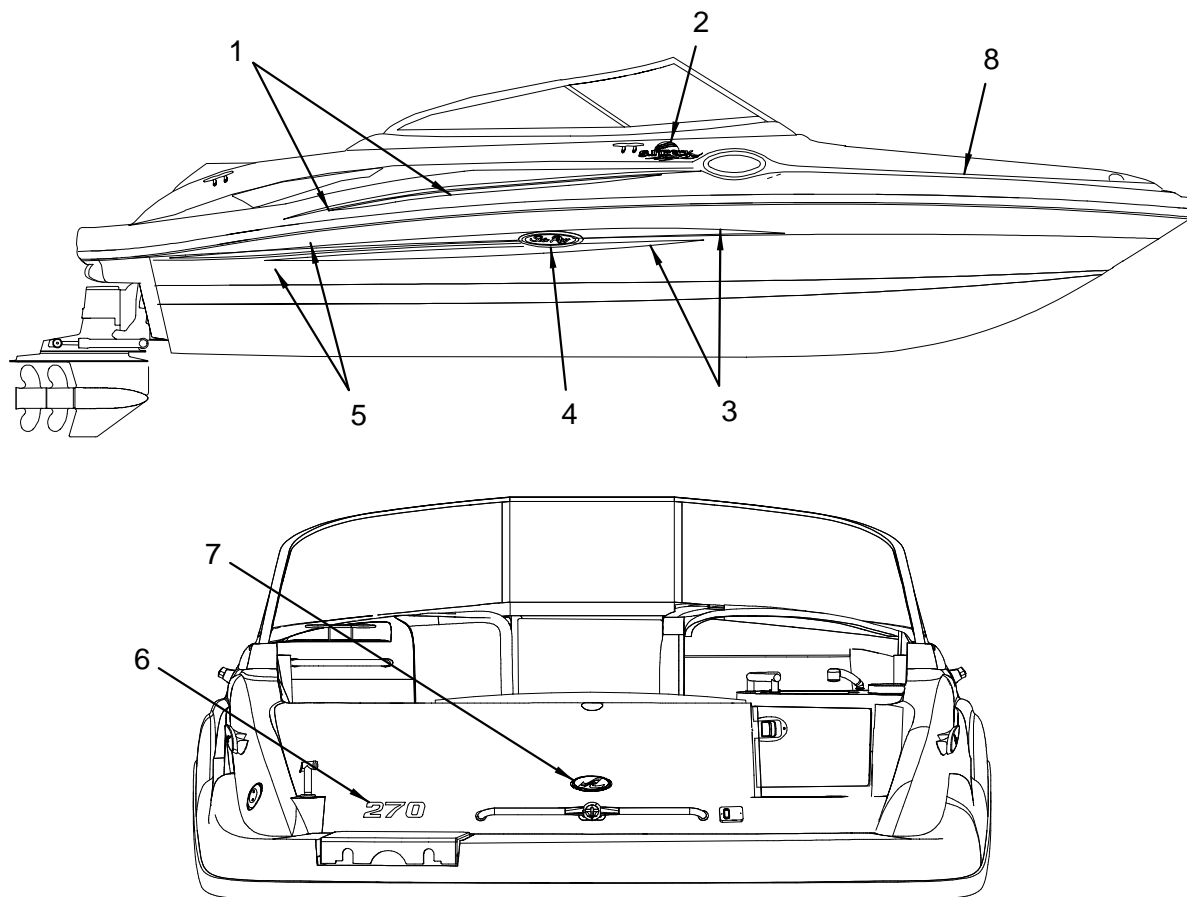
**EXTERIOR (GRAPHICS) TWO TONE - PEWTER**

- 1 1848534 TAPE, 270SD-07 SLVR/BLK STB DECK  
(PART OF GRAPHICS KIT 1837248)
- 1848533 TAPE, 270SD-07 SLVR/BLK PRT DECK  
(PART OF GRAPHICS KIT 1837248)
- 1848644 TAPE, 270SD-07 SLVR/BLK DECK STB FWD EXTNSN  
(PART OF GRAPHICS KIT 1837248)
- 1848641 TAPE, 270SD-07 SLVR/BLK DECK PRT FWD EXTNSN  
(PART OF GRAPHICS KIT 1837248)
- 2 1779890 TAPE, LOGO SUNDECK URETH BLK/CHR  
(PART OF GRAPHICS KIT 1837248)
- 3 1848536 TAPE, 270SD-07 SLVR/BLK FWD STB HULL  
(PART OF GRAPHICS KIT 1837248)
- 1848535 TAPE, 270SD-07 SLVR/BLK FWD PRT HULL  
(PART OF GRAPHICS KIT 1837248)
- 4 1610211 EMBLEM, S/R LOGO SCRIPT HULL URETH CHR 13"  
1443183 EMBLEM, "SEA RAY" SCRIPT HULL LOGO CHR 13"
- 5 1848538 TAPE, 270SD-07 SLVR/BLK AFT STB HULL  
(PART OF GRAPHICS KIT 1837248)
- 1848537 TAPE, 270SD-07 SLVR/BLK AFT PRT HULL  
(PART OF GRAPHICS KIT 1837248)
- 6 1790620 EMBLEM, MODEL DESG 270 URETHANE BLK W/CHR  
(PART OF GRAPHICS KIT 1837248)
- 7 1443191 EMBLEM, S/R WAVE 5" OVAL CHR TRNSM
- 8 1779891 TAPE, M/S 1.5"W1/4"VOID SLVRMET/BLK  
(NOTE: 150 FOOT ROLL OF TAPE)
- 1847789 TAPE, M/S 1.5"W1/4"VOID SLVRMET/BLK  
(NOTE: 75 FOOT ROLL OF TAPE)

**GRAPHICS KIT**

- 1837248 GRAPHICS KIT, 270SD-07 SLVRMET/BLK  
(DOES NOT INCLUDE M/S TAPE OR S/R AND SEA RAY  
EMBLEMS)  
(PEARL / BLACK)  
(PEARL / PEWTER W/ TWO TONE ONLY)

**EXTERIOR (GRAPHICS) TWO TONE - CINNABAR**



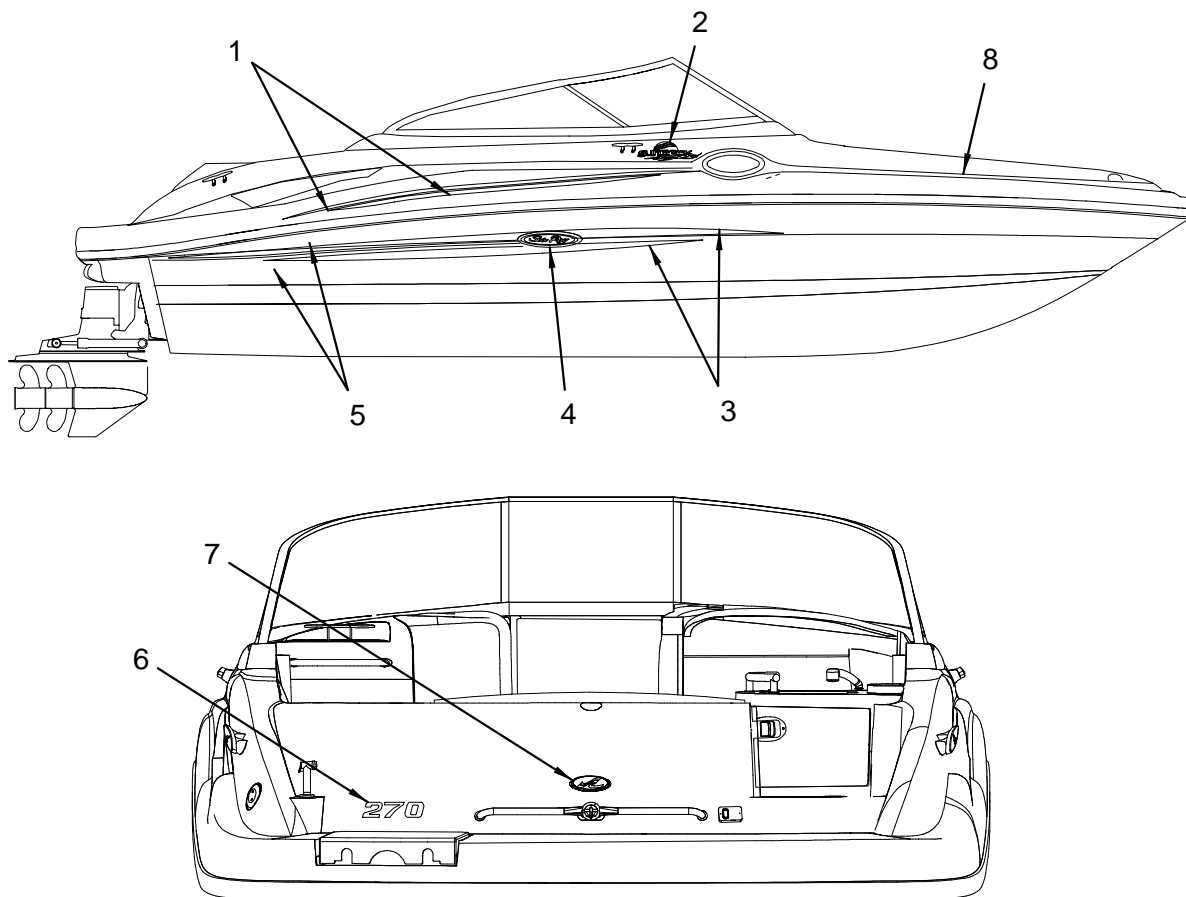
**EXTERIOR (GRAPHICS) TWO TONE - CINNABAR**

- 1 1848540 TAPE, 270SD-07 SLVR/CNNBR PRL STB DECK  
(PART OF GRAPHICS KIT 1837249)
- 1848539 TAPE, 270SD-07 SLVR/CNNBR PRL PRT DECK  
(PART OF GRAPHICS KIT 1837249)
- 1848647 TAPE, 270SD-07 SLVR/CNNBR DECK STB FWD EXTNSN  
(PART OF GRAPHICS KIT 1837249)
- 1848646 TAPE, 270SD-07 SLVR/CNNBR DECK PRT FWD EXTNSN  
(PART OF GRAPHICS KIT 1837249)
- 2 1779890 TAPE, LOGO SUNDECK URETH BLK/CHR  
(PART OF GRAPHICS KIT 1837249)
- 3 1848542 TAPE, 270SD-07 SLVR/CNNBR PRL FWD STB HULL  
(PART OF GRAPHICS KIT 1837249)
- 1848541 TAPE, 270SD-07 SLVR/CNNBR PRL FWD PRT HULL  
(PART OF GRAPHICS KIT 1837249)
- 4 1443183 EMBLEM, "SEA RAY" SCRIPT HULL LOGO CHR 13"
- 5 1848544 TAPE, 270SD-07 SLVR/CNNBR PRL AFT STB HULL  
(PART OF GRAPHICS KIT 1837249)
- 1848543 TAPE, 270SD-07 SLVR/CNNBR PRL AFT PRT HULL  
(PART OF GRAPHICS KIT 1837249)
- 6 1790620 EMBLEM, MODEL DESG 270 URETHANE BLK W/CHR  
(PART OF GRAPHICS KIT 1837249)
- 7 1443191 EMBLEM, S/R WAVE 5" OVAL CHR TRNSM
- 8 1779891 TAPE, M/S 1.5"W1/4"VOID SLVRMET/BLK  
(NOTE: 150 FOOT ROLL OF TAPE)
- 1847789 TAPE, M/S 1.5"W1/4"VOID SLVRMET/BLK  
(NOTE: 75 FOOT ROLL OF TAPE)

**GRAPHICS KIT**

- 1837249 GRAPHICS KIT, 270SD-07 CNNBR/SLVRMET/BLK  
(DOES NOT INCLUDE M/S TAPE OR S/R AND SEA RAY  
EMBLEMS)  
(PEARL / CINNABAR W/ TWO TONE ONLY)

**EXTERIOR (GRAPHICS) BLUE COLORED HULL**



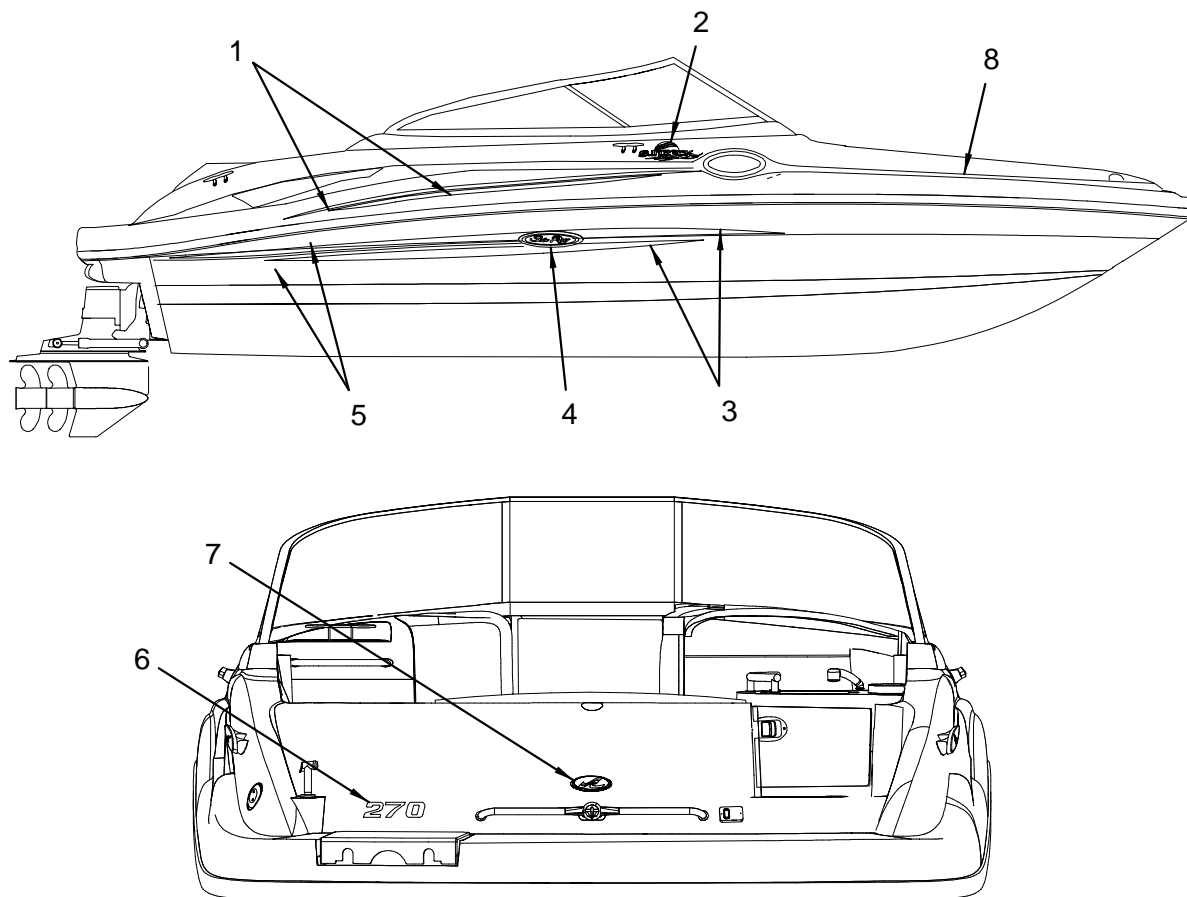
**EXTERIOR (GRAPHICS) BLUE COLORED HULL**

- 1 1848546 TAPE, 270SD-07 SLVR/MIDB STB DECK  
(PART OF GRAPHICS KIT 1838207)
- 1848545 TAPE, 270SD-07 SLVR/MIDB PRT DECK  
(PART OF GRAPHICS KIT 1838207)
- 1848649 TAPE, 270SD-07 SLVR/MIDB DECK STB FWD EXTNSN  
(PART OF GRAPHICS KIT 1838207)
- 1848648 TAPE, 270SD-07 SLVR/MIDB DECK PRT FWD EXTNSN  
(PART OF GRAPHICS KIT 1838207)
- 2 1779890 TAPE, LOGO SUNDECK URETH BLK/CHR  
(PART OF GRAPHICS KIT 1838207)
- 3 1848548 TAPE, 270SD-07 SLVR/MIDB FWD STB HULL  
(PART OF GRAPHICS KIT 1838207)
- 1848547 TAPE, 270SD-07 SLVR/MIDB FWD PRT HULL  
(PART OF GRAPHICS KIT 1838207)
- 4 1443183 EMBLEM, "SEA RAY" SCRIPT HULL LOGO CHR 13"
- 5 1848550 TAPE, 270SD-07 SLVR/MIDB AFT STB HULL  
(PART OF GRAPHICS KIT 1838207)
- 1848549 TAPE, 270SD-07 SLVR/MIDB AFT PRT HULL  
(PART OF GRAPHICS KIT 1838207)
- 6 1790620 EMBLEM, MODEL DESG 270 URETHANE BLK W/CHR  
(PART OF GRAPHICS KIT 1838207)
- 7 1443191 EMBLEM, S/R WAVE 5" OVAL CHR TRNSM
- 8 1779891 TAPE, M/S 1.5"W1/4"VOID SLVRMET/BLK  
(NOTE: 150 FOOT ROLL OF TAPE)
- 1847789 TAPE, M/S 1.5"W1/4"VOID SLVRMET/BLK  
(NOTE: 75 FOOT ROLL OF TAPE)

**GRAPHICS KIT**

- 1838207 GRAPHICS KIT, 270SD-07 MIDB/SLVRMET/BLK  
(DOES NOT INCLUDE M/S TAPE OR S/R AND SEA RAY  
EMBLEMS)  
(PEARL / MIDNIGHT BLUE)

**EXTERIOR (GRAPHICS) BLACK COLORED HULL**



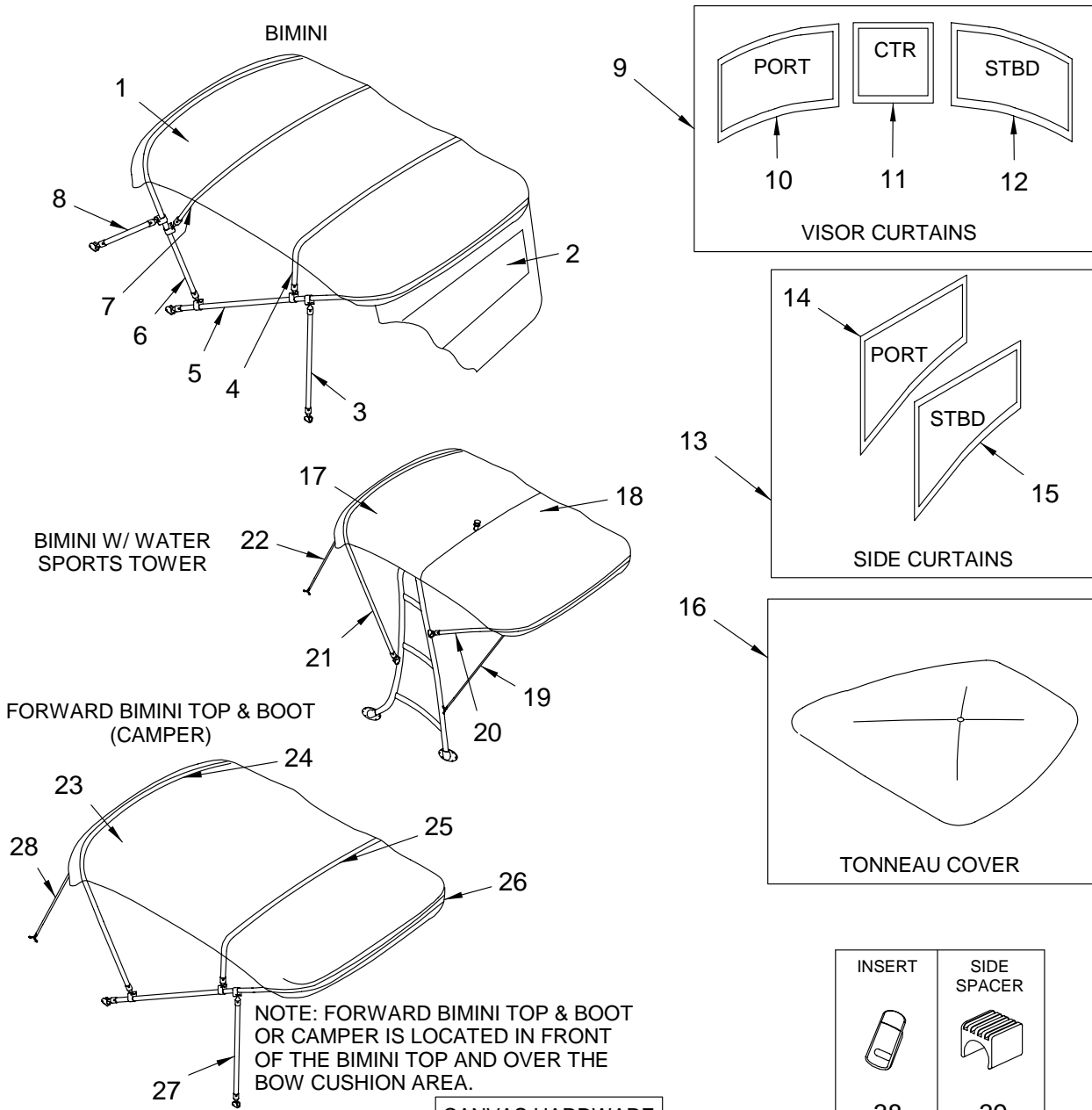
**EXTERIOR (GRAPHICS) BLACK COLORED HULL**

- 1 1848534 TAPE, 270SD-07 SLVR/BLK STB DECK  
(PART OF GRAPHICS KIT 1837248)
- 1848533 TAPE, 270SD-07 SLVR/BLK PRT DECK  
(PART OF GRAPHICS KIT 1837248)
- 1848644 TAPE, 270SD-07 SLVR/BLK DECK STB FWD EXTNSN  
(PART OF GRAPHICS KIT 1837248)
- 1848641 TAPE, 270SD-07 SLVR/BLK DECK PRT FWD EXTNSN  
(PART OF GRAPHICS KIT 1837248)
- 2 1779890 TAPE, LOGO SUNDECK URETH BLK/CHR  
(PART OF GRAPHICS KIT 1837248)
- 3 1848536 TAPE, 270SD-07 SLVR/BLK FWD STB HULL  
(PART OF GRAPHICS KIT 1837248)
- 1848535 TAPE, 270SD-07 SLVR/BLK FWD PRT HULL  
(PART OF GRAPHICS KIT 1837248)
- 4 1443183 EMBLEM, "SEA RAY" SCRIPT HULL LOGO CHR 13"
- 5 1848538 TAPE, 270SD-07 SLVR/BLK AFT STB HULL  
(PART OF GRAPHICS KIT 1837248)
- 1848537 TAPE, 270SD-07 SLVR/BLK AFT PRT HULL  
(PART OF GRAPHICS KIT 1837248)
- 6 1790620 EMBLEM, MODEL DESG 270 URETHANE BLK W/CHR  
(PART OF GRAPHICS KIT 1837248)
- 7 1443191 EMBLEM, S/R WAVE 5" OVAL CHR TRNSM
- 8 1779891 TAPE, M/S 1.5"W1/4"VOID SLVRMET/BLK  
(NOTE: 150 FOOT ROLL OF TAPE)
- 1847789 TAPE, M/S 1.5"W1/4"VOID SLVRMET/BLK  
(NOTE: 75 FOOT ROLL OF TAPE)

**GRAPHICS KIT**

- 1837248 GRAPHICS KIT, 270SD-07 SLVRMET/BLK  
(DOES NOT INCLUDE M/S TAPE OR S/R AND SEA RAY  
EMBLEMS)  
( PEARL / BLACK )  
(PEARL / PEWTER W/ TWO TONE ONLY)

CANVAS (BLACK)



NOTE: FORWARD BIMINI TOP & BOOT OR CAMPER IS LOCATED IN FRONT OF THE BIMINI TOP AND OVER THE BOW CUSHION AREA.

CANVAS HARDWARE

END CAP  29	JAW SLIDE  30	FLAT HINGE  31	RADIUS HINGE  32	PULL PIN  33	STRAP EYE  34	SHOCK CORD CLIP  35	LACING KNOB  36	PLASTIC PULL TAB  37
-------------------	---------------------	----------------------	------------------------	--------------------	---------------------	---------------------------	-----------------------	----------------------------

INSERT  38	SIDE SPACER  39
------------------	-----------------------

**CANVAS (BLACK)**

1	1806417	CANVAS, 270SD-06 BIM TOP BLK
	1786013	CANVAS, 270SD-05 BIM TOP FAB BLK
	1759648	CANVAS, 270SD-04 BIM TOP BOOT W/EMB BLK
2	1807606	CANVAS, 270SD-06 AFT CURT BLK
3	1811514	CANVAS, 270SD-06 BIM TOP REAR STANCH
4	1811516	CANVAS, 270SD-06 BIM TOP BOW3 W/HDWR
5	1811515	CANVAS, 270SD-06 BIM TOP MAIN BOW W/HDWR
	1811518	CANVAS, 270SD-06 BIM TOP BOWS W/HDWR
	1811517	CANVAS, 270SD-06 BIM TOP HDWR MNT PKG
6	1811519	CANVAS, 270SD-06 BIM TOP BOW2 W/HDWR
7	1811520	CANVAS, 270SD-06 BIM TOP BOW4 W/HDWR
8	1811521	CANVAS, 270SD-06 BIM TOP FWD STANCH
9	1783483	CANVAS, 270SD-05 VSR CURT 3PC CLR/BLK
10	1786025	CANVAS, 270SD-05 VISOR CURT PRT CLR/BLK
11	1786029	CANVAS, 270SD-05 VISOR CURT CTR CLR/BLK
12	1786033	CANVAS, 270SD-05 VISOR CURT STB CLR/BLK
13	1783477	CANVAS, 270SD-05 SIDE CURT SET BLK
14	1786037	CANVAS, 270SD-05 SIDE CURT PRT BLK
15	1786041	CANVAS, 270SD-05 SIDE CURT STB BLK
16	1759654	CANVAS, 270SD-04 TONNEAU CVR BLK
	1811351	POLE, TONNEAU/CKPT CVR SUPPORT ADJ (SNAP BUTTON)
17	1783486	CANVAS, 270SD-05 BIM TOP FWD W/TWR BLK
	1759657	CANVAS, 270SD-04 BIM TOP BOOT FWD W/TWR BLK
18	1786721	CANVAS, 270SD-05 BIM TOP AFT W/TWR BLK
	1759658	CANVAS, 270SD-04 BIM TOP BOOT AFT W/TWR BLK
19	1786043	CANVAS, 270SD-05 BIM TOP AFT STRAP W/TWR
20	1786044	CANVAS, 270SD-05 BIM TOP AFT BOW W/TWR W/HDWR
21	1786045	CANVAS, 270SD-05 BIM TOP FWD BOW W/TWR W/HDWR
22	1786046	CANVAS, 270SD-05 BIM TOP FWD STRAP W/TWR
23	1783657	CANVAS, 270SD-05 CAMP TOP BLK
	1783658	CANVAS, 270SD-05 CAMP TOP BOOT BLK
	1786047	CANVAS, 270SD-05 CAMP TOP BOWS W/HDWR
	1786048	CANVAS, 270SD-05 CAMP TOP HDWR MNT PKG
24	1786049	CANVAS, 270SD-05 CAMP TOP BOW2 N/HDWR
25	1786050	CANVAS, 270SD-05 CAMP TOP BOW3 N/HDWR
26	1786051	CANVAS, 270SD-05 CAMP TOP MAIN BOW N/HDWR
27	1786053	CANVAS, 270SD-05 CAMP TOP REAR SUPPORT POLE
28	1786052	CANVAS, 270SD-05 CAMP TOP FWD STAN/STP
29	1815809	CAP, SS EYE END BALL/SOCKET TYPE 1"
30	1889561	SLIDE, JAW SLIDE BALL/SOCKET TYPE SS 1"
	1760596	SCREW, SLOT PAN BALL/SOCKET JAW SLIDE
31	1760356	HINGE, DECK FLAT BALL/SOCKET TYPE SS
32	1760357	HINGE, DECK RADIUS BALL/SOCKET TYPE SS
33	1760595	PIN, PULL BALL/SOCKET TYPE W/RING LNYRD BLK
34	148031	EYE, STRAP EYE TIE-DOWN
35	1778676	CLIP, SHOCKCORD/CVR WHT W/ELAS 04
36	1761645	KNOB, SHOCKCORD LACING
37	1778677	CLIP, WHT PLAS TAB W/CORD
38	1760358	INSERT, DECK HINGE BALL/SOCKET BLK
39	580696	CANVAS, SPACER SIDE CURTAIN 1"

**BIMINI CANVAS PACKAGE**

	788547	CANVAS, STRG BAG 10X60 LRG GREY 95
	1092162	CANVAS, STRG BAG 12X38 CLOUDBRST TONNEAU/CKPT
	1807604	CANVAS, 270SD-06 CPC N/SNPS BLK
	1811351	POLE, TONNEAU/CKPT CVR SUPPORT ADJ (SNAP BUTTON)

**CANVAS RAW MATERIAL**

	1616341	CANVAS, SUNBRELLA 60" BLK
	1645456	CANVAS, SEAMARK BLACK "W/BC

**COCKPIT COVER W/TONNEAU COVER**

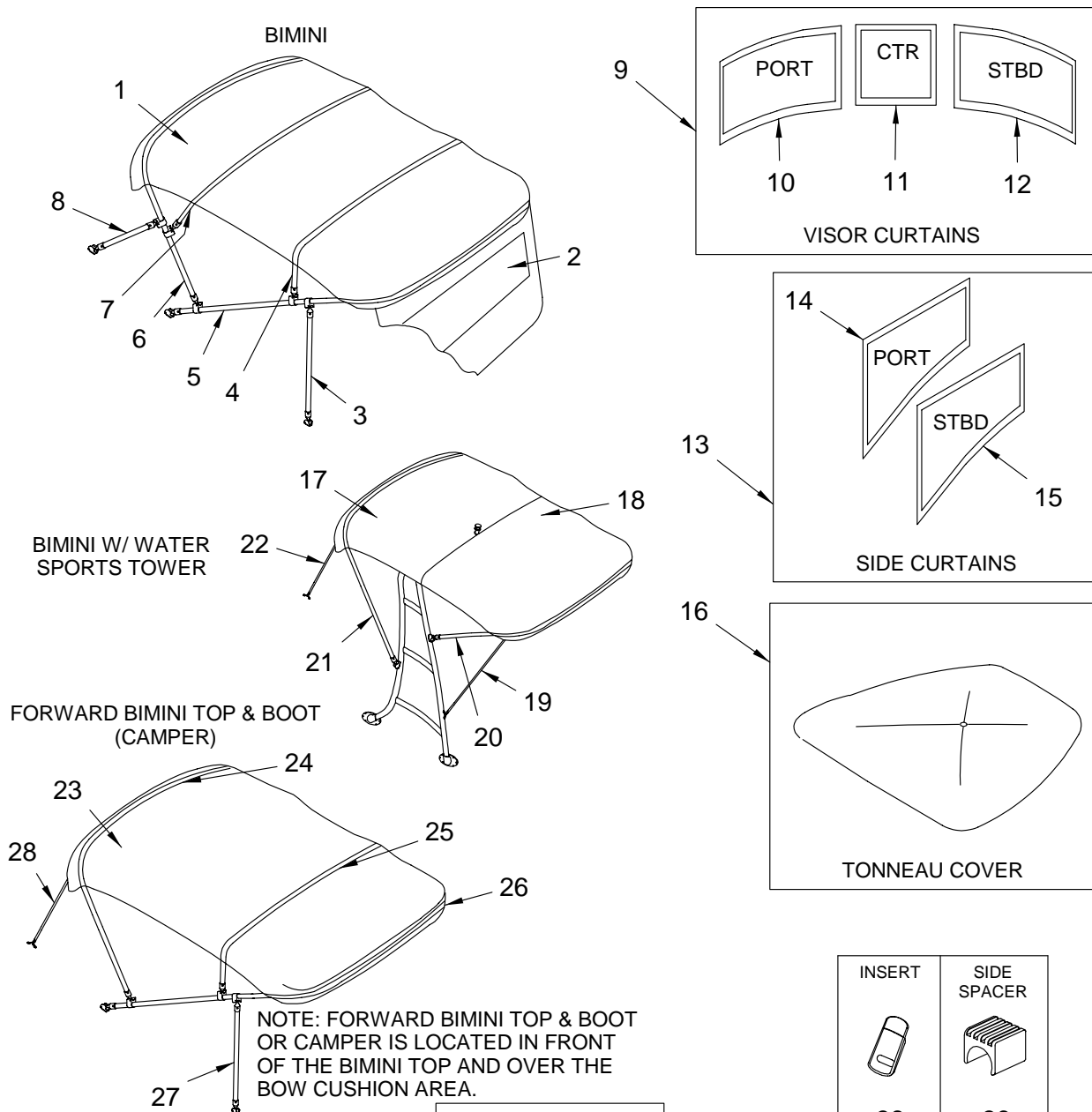
	1092162	CANVAS, STRG BAG 12X38 CLOUDBRST TONNEAU/CKPT
	1807602	CANVAS, 270SD-06 BIM CPC W/SNPS BLK
	1811351	POLE, TONNEAU/CKPT CVR SUPPORT ADJ (SNAP BUTTON)

**COCKPIT COVER W/WATER SPORTS TOWER**

	1807696	CANVAS, 270SD-06 CPC WATERSPORT TWR BLK
	1811351	POLE, TONNEAU/CKPT CVR SUPPORT ADJ (SNAP BUTTON)



CANVAS (BLUE)



NOTE: FORWARD BIMINI TOP & BOOT OR CAMPER IS LOCATED IN FRONT OF THE BIMINI TOP AND OVER THE BOW CUSHION AREA.

CANVAS HARDWARE

END CAP  29	JAW SLIDE  30	FLAT HINGE  31	RADIUS HINGE  32	PULL PIN  33	STRAP EYE  34	SHOCK CORD CLIP  35	INSERT  38	SIDE SPACER  39	LACING KNOB  36	PLASTIC PULL TAB  37
-------------------	---------------------	----------------------	------------------------	--------------------	---------------------	---------------------------	------------------	-----------------------	-----------------------	----------------------------

**CANVAS (BLUE)**

1	1806418	CANVAS, 270SD-06 BIM TOP CAPT NVY
	1786011	CANVAS, 270SD-05 BIM TOP FAB CAPT NAVY
	1781981	CANVAS, 270SD-05 BIM TOP BOOT W/EMB CAPT NAVY
2	1807607	CANVAS, 270SD-06 AFT CURT CAPT NVY
3	1811514	CANVAS, 270SD-06 BIM TOP REAR STANCH
4	1811516	CANVAS, 270SD-06 BIM TOP BOW3 W/HDWR
5	1811515	CANVAS, 270SD-06 BIM TOP MAIN BOW W/HDWR
	1811518	CANVAS, 270SD-06 BIM TOP BOWS W/HDWR
	1811517	CANVAS, 270SD-06 BIM TOP HDWR MNT PKG
6	1811519	CANVAS, 270SD-06 BIM TOP BOW2 W/HDWR
7	1811520	CANVAS, 270SD-06 BIM TOP BOW4 W/HDWR
8	1811521	CANVAS, 270SD-06 BIM TOP FWD STANCH
9	1781984	CANVAS, 270SD-05 VSR CURT 3PC CLR/CAPT NAVY
10	1786023	CANVAS, 270SD-05 VISOR CURT PRT CLR/CAPT NAVY
11	1786027	CANVAS, 270SD-05 VISOR CURT CTR CLR/CAPT NAVY
12	1786031	CANVAS, 270SD-05 VISOR CURT STB CLR/CAPT NAVY
13	1781982	CANVAS, 270SD-05 SIDE CURT SET CAPT NAVY
14	1786035	CANVAS, 270SD-05 SIDE CURT PRT CAPT NAVY
15	1786039	CANVAS, 270SD-05 SIDE CURT STB CAPT NAVY
16	1781985	CANVAS, 270SD-05 TONNEAU CVR CAPT NAVY
	1811351	POLE, TONNEAU/CKPT CVR SUPPORT ADJ (SNAP BUTTON)
17	1781988	CANVAS, 270SD-05 BIM TOP FWD W/TWR CAPT NAVY
	1781989	CANVAS, 270SD-05 BIM TOP BOOT FWD W/TWR CAPNV
18	1781990	CANVAS, 270SD-05 BIM TOP AFT W/TWR CAPT NAVY
	1781991	CANVAS, 270SD-05 BIM TOP BOOT AFT W/TWR CAPNV
19	1786043	CANVAS, 270SD-05 BIM TOP AFT STRAP W/TWR
20	1786044	CANVAS, 270SD-05 BIM TOP AFT BOW W/TWR W/HDWR
21	1786045	CANVAS, 270SD-05 BIM TOP FWD BOW W/TWR W/HDWR
22	1786046	CANVAS, 270SD-05 BIM TOP FWD STRAP W/TWR
23	1783653	CANVAS, 270SD-05 CAMP TOP CAPT NAVY
	1783654	CANVAS, 270SD-05 CAMP TOP BOOT CAPT NAVY
	1786047	CANVAS, 270SD-05 CAMP TOP BOWS W/HDWR
	1786048	CANVAS, 270SD-05 CAMP TOP HDWR MNT PKG
24	1786049	CANVAS, 270SD-05 CAMP TOP BOW2 N/HDWR
25	1786050	CANVAS, 270SD-05 CAMP TOP BOW3 N/HDWR
26	1786051	CANVAS, 270SD-05 CAMP TOP MAIN BOW N/HDWR
27	1786053	CANVAS, 270SD-05 CAMP TOP REAR SUPPORT POLE
28	1786052	CANVAS, 270SD-05 CAMP TOP FWD STAN/STP
29	1815809	CAP, SS EYE END BALL/SOCKET TYPE 1"
30	1889561	SLIDE, JAW SLIDE BALL/SOCKET TYPE SS 1"
	1760596	SCREW, SLOT PAN BALL/SOCKET JAW SLIDE
31	1760356	HINGE, DECK FLAT BALL/SOCKET TYPE SS
32	1760357	HINGE, DECK RADIUS BALL/SOCKET TYPE SS
33	1760595	PIN, PULL BALL/SOCKET TYPE W/RING LNYRD BLK
34	148031	EYE, STRAP EYE TIE-DOWN
35	1778676	CLIP, SHOCKCORD/CVR WHT W/ELAS 04
36	1761645	KNOB, SHOCKCORD LACING
	1778676	CLIP, SHOCKCORD/CVR WHT W/ELAS 04
37	1778677	CLIP, WHT PLAS TAB W/CORD
38	1760358	INSERT, DECK HINGE BALL/SOCKET BLK
39	580696	CANVAS, SPACER SIDE CURTAIN 1"

**BIMINI CANVAS PACKAGE**

580696	CANVAS, SPACER SIDE CURTAIN 1"
788547	CANVAS, STRG BAG 10X60 LRG GREY 95
1092162	CANVAS, STRG BAG 12X38 CLOUDBRST TONNEAU/CKPT
1807605	CANVAS, 270SD-06 CPC N/SNPS CAPT NVY
1811351	POLE, TONNEAU/CKPT CVR SUPPORT ADJ (SNAP BUTTON)

**CANVAS RAW MATERIAL**

1630722	CANVAS, SUNBRELLA CAPT NAVY 60" #6046
1630698	CANVAS, SEAMARK CAPTAIN'S NAVY 60"W/BC

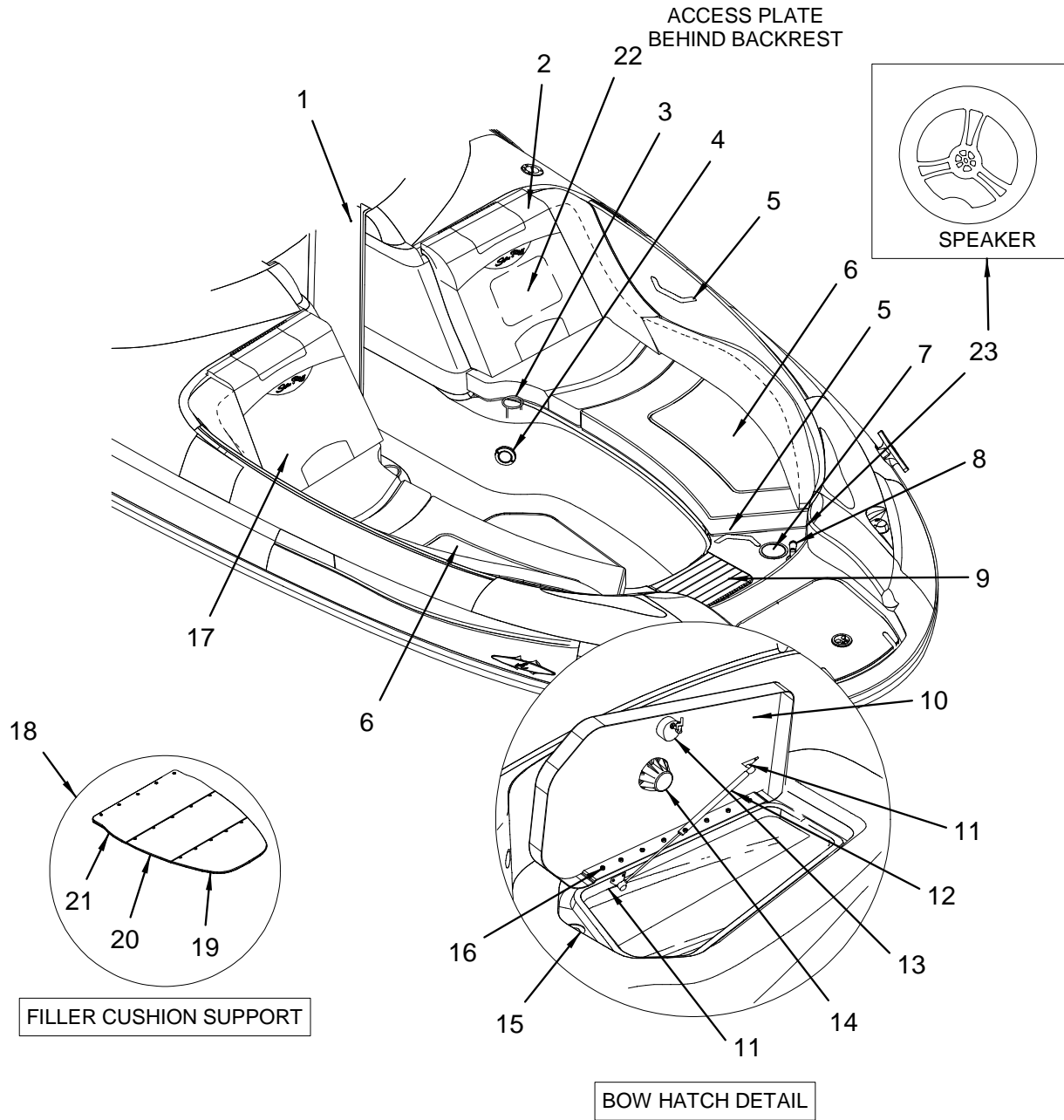
**COCKPIT COVER W/TONNEAU COVER**

1092162	CANVAS, STRG BAG 12X38 CLOUDBRST TONNEAU/CKPT
1807603	CANVAS, 270SD-06 BIM CPC W/SNPS CAPT NVY
1811351	POLE, TONNEAU/CKPT CVR SUPPORT ADJ (SNAP BUTTON)

**COCKPIT COVER W/WATER SPORTS TOWER**

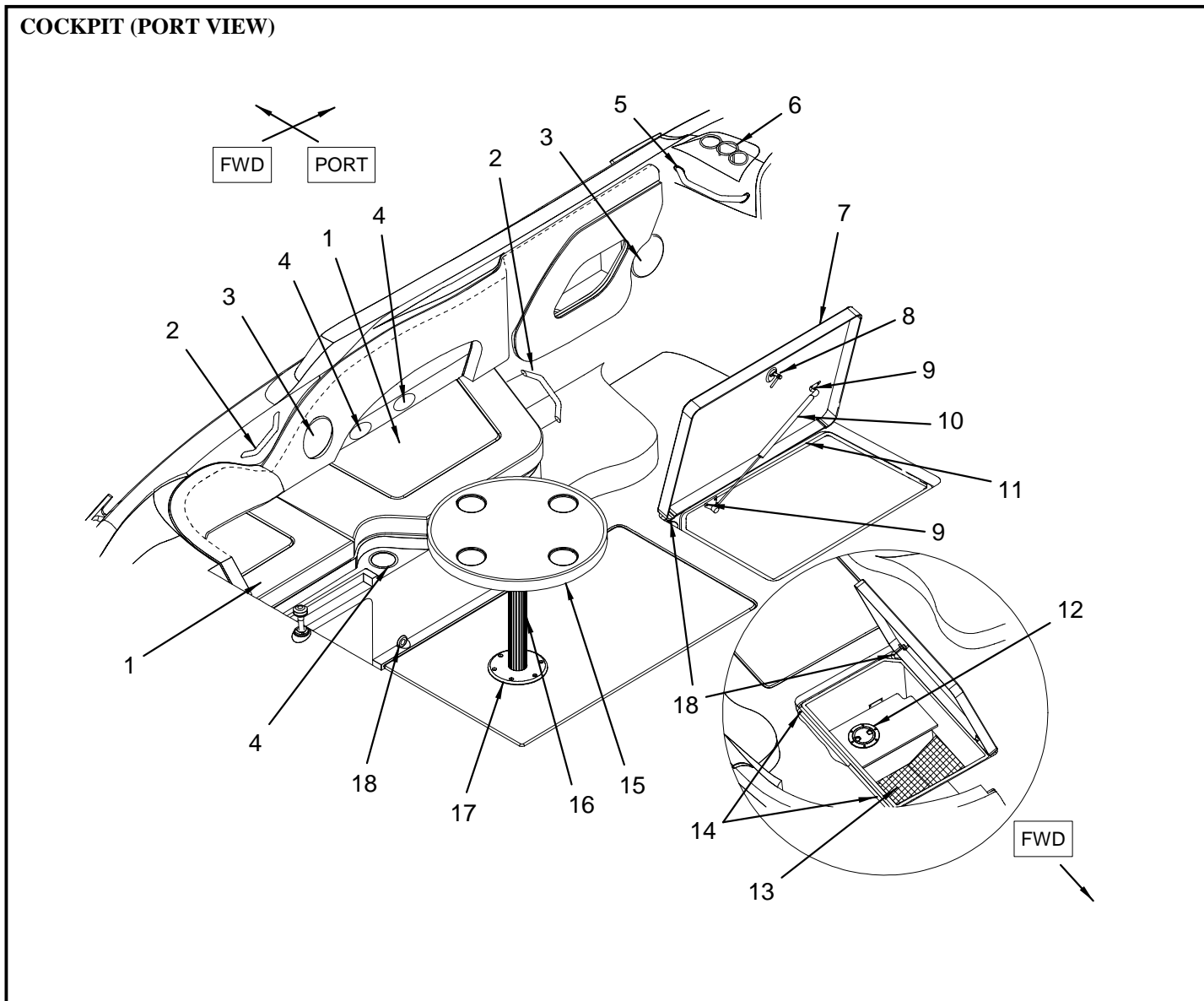
1807697	CANVAS, 270SD-06 CPC WATERSPORT TWR CAPT NVY
1811351	POLE, TONNEAU/CKPT CVR SUPPORT ADJ (SNAP BUTTON)

COCKPIT (FORWARD PORT VIEW)



**COCKPIT (FORWARD PORT VIEW)**

- 1 663708 BUMPER, CLEAR .020" THICK
- 2 1578434 BOLSTER, 290BR-00 B/R PORT POLY
- 1596444 HINGE, SS CONT 2"X 19" SLOTTED W/3/16"PIN
- 3 1750876 HOLDER, DRINK SS SGL 3" (KING)
- 4 1771016 LIGHT, NAV STERN FLSH MNT RND CHR/BRS W/CONN
- 901199 BULB, STERN NAV LIGHT REPL #137406-1227412  
**(BULB FOR LIGHT 1771016)**
- 5 1780393 RAIL, GRAB 8.5" 316L SS W/GASKET
- 6 1596378 FLOORING, PVC MAT 270SD-02 BOW PORT STRG WHT
- 7 1812917 HOLDER, DRINK SS 4"X 3" MUG SZ PLSHD RIM
- 8 1775029 SHOWER, SPRAY BLK NOZZLE W/8' VINYL HOSE
- 1795431 THRU-HULL, CHR PLTD BRASS SPRAY HLDR  
**(PART OF SHOWER SPRAY 1775029)**
- 9 1156520 LID, HDPE 190SDOB/210SD-99 COOLER W/HINGE PRL
- 1233840 HINGE, 190SDOB/210SD-99 COOLER LID (1156520)  
**(PART OF LID 1156520)**
- 1036573 COOLER, 20"X 11"X 10" FOAMED MOLDED
- 10 1851435 270SD 07,HATCH,BOW STRG FBRGLS
- 1596725 FLOORING, PVC MAT 270SD-02 BOW HATCH STRG WHT
- 11 634592 BRACKET, SS GAS CYL FLAT W/BALL STUD
- 12 1425370 CYLINDER, GAS SS 120PSI 20"EXT X 12"COMP
- 13 1833695 LATCH, COMPRESSION 2" LOCKING SS
- 1781435 PLATE, CUP BRKT 2"LONG SCREW W/HDWR PKG
- 1783661 CATCH, PAWL 2"STRAIGHT LONG SS
- 14 876961 BASE, LEG/POST FLUSH MT ALUM
- 15 1098417 THRU-HULL, PLAS 1 1/8" PRL
- 16 1110543 HINGE, SS CONT 2"X 24"
- 17 1578426 BOLSTER, 290BR-01 B/R STBD POLY
- 1596444 HINGE, SS CONT 2"X 19" SLOTTED W/3/16"PIN
- 18 1851432 270SD 07,FLR BRD,CMPLT  
**(FILLER CUSHIONS)**
- 1758957 PVC BOARD, 1/2"X 4"X 8' WHT INTEFOAM  
**(FILLER CUSHIONS)**
- 180406 SLIDE, DELRIN #5 WHT 1-S LOCK  
**(FILLER CUSHIONS)**
- 991612 ANGLE, PVC 2"X 2"X 1/4"X 10' WHT  
**(FILLER CUSHIONS)**
- 19 1851434 270SD 07,FLR BRD,FWD  
**(FILLER CUSHIONS)**
- 20 1851433 270SD 07,FLR BRD,CTR  
**(FILLER CUSHIONS)**
- 21 1851431 270SD 07,FLR BRD,AFT  
**(FILLER CUSHIONS)**
- 22 1592583 COVER, HDPE 270SD-02 HEAD ACCESS  
**(PUMP-OUT HEAD)**
- 23 1690557 SPEAKER, COAXIAL 6.5" N/CVR
- 1806419 GRILL, SPEAKER 6.5" ACOM WHT/BLK



**COCKPIT (PORT VIEW)**

- 1 609883 CLEAT, PLAS 3/4"X 1"X 4" GREY
- 1596410 FLOORING, PVC MAT 270SD-02 CKPT PORT STRG WHT
- 1083419 BLOCK, HDPE 185/190SDOB/210-98 XL HOOK
- 2 1780393 RAIL, GRAB 8.5" 316L SS W/GASKET
- 3 1690557 SPEAKER, COAXIAL 6.5" N/CVR
- 1806419 GRILL, SPEAKER 6.5" ACOM WHT/BLK
- 4 1812917 HOLDER, DRINK SS 4"X 3" MUG SZ PLSHD RIM
- 5 1747836 RAIL, GRAB 12" STREAMLINE W/FLANGES (316L)
- 6 1750874 HOLDER, DRINK SS 3-RING 3" (KING)
- 7 1851438 270SD 07,HATCH,SKI STRG FBRGLS
- 590646 CLIP, POLE STRG BLK - MAST LIGHT
- 8 1833695 LATCH, COMPRESSION 2" LOCKING SS
- 1781435 PLATE, CUP BRKT 2"LONG SCREW W/HDWR PKG
- 1783661 CATCH, PAWL 2"STRAIGHT LONG SS
- 9 634592 BRACKET, SS GAS CYL FLAT W/BALL STUD
- 10 1755454 CYLINDER, GAS SS 140PSI 20"EXT X 12"COMP (HULL#1055->UP)
- 1425370 CYLINDER, GAS SS 120PSI 20"EXT X 12"COMP (HULL#1001->1054)
- 11 1062348 HINGE, SS CONT 1.5"X 30"
- 12 983692 ACCESS PLATE, POLYPROP W/ O-RING 4" WHT
- 13 1596717 FLOORING, PVC MAT 270SD-02 SKI STRG WHT
- 14 274373 BUMPER, CANOE CLIP MED WHT
- 15 1148519 TABLE, T/F CKPT ROUND PRL 99
- 876979 BASE, LEG/POST SURF MT ALUM

- 16 1623883 POST, TABLE LEG 2.25"X 27.25" ANOD TAPER
- 17 876961 BASE, LEG/POST FLUSH MT ALUM
- 18 1392794 THRU-HULL, PLAS 1 1/8" TUBE X 90DEG PRL

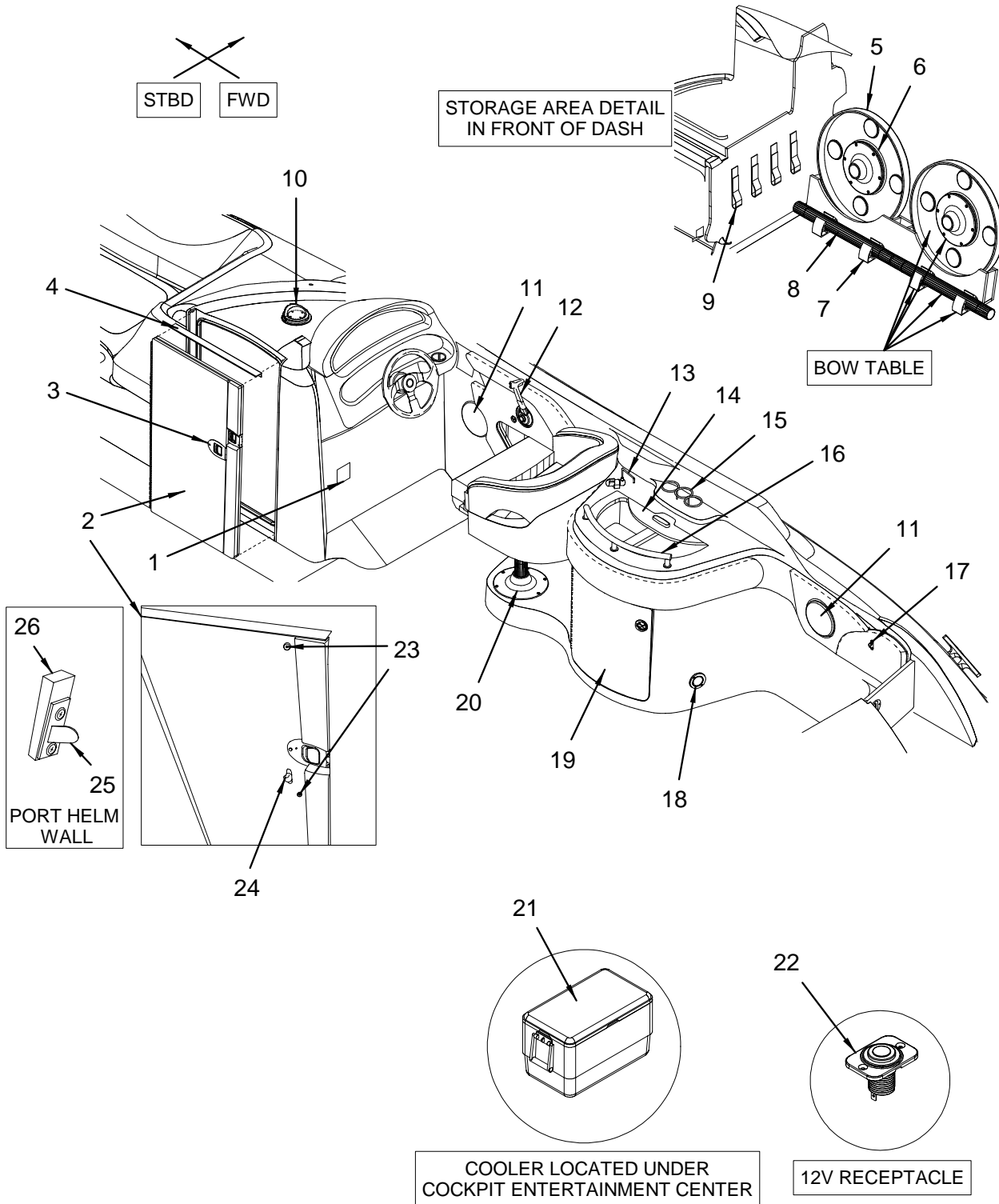
**LABELS**

- 1744762 LABEL, WARNING PYHY FIRE EXT PRT (LEXAN)

**NOT SHOWN**

- 836007 BRACKET, ALUM 1.5"X 1.5"X 3" 3/16"HOLES
- 991612 ANGLE, PVC 2"X 2"X 1/4"X 10' WHT
- 1690896 PLATE, ALUM 1/4"X 2"X 9.75" W/2" TAPPED HOLES
- 198945 VELCRO, DUAL LOCK CLR 2"X 50YD W/ADH BACK
- 1881343 HOLDER, MAGNETIC NYLON FLUSH/PROUD WHT 30 X15

COCKPIT (FORWARD STARBOARD VIEW)



## COCKPIT (FORWARD STARBOARD VIEW)

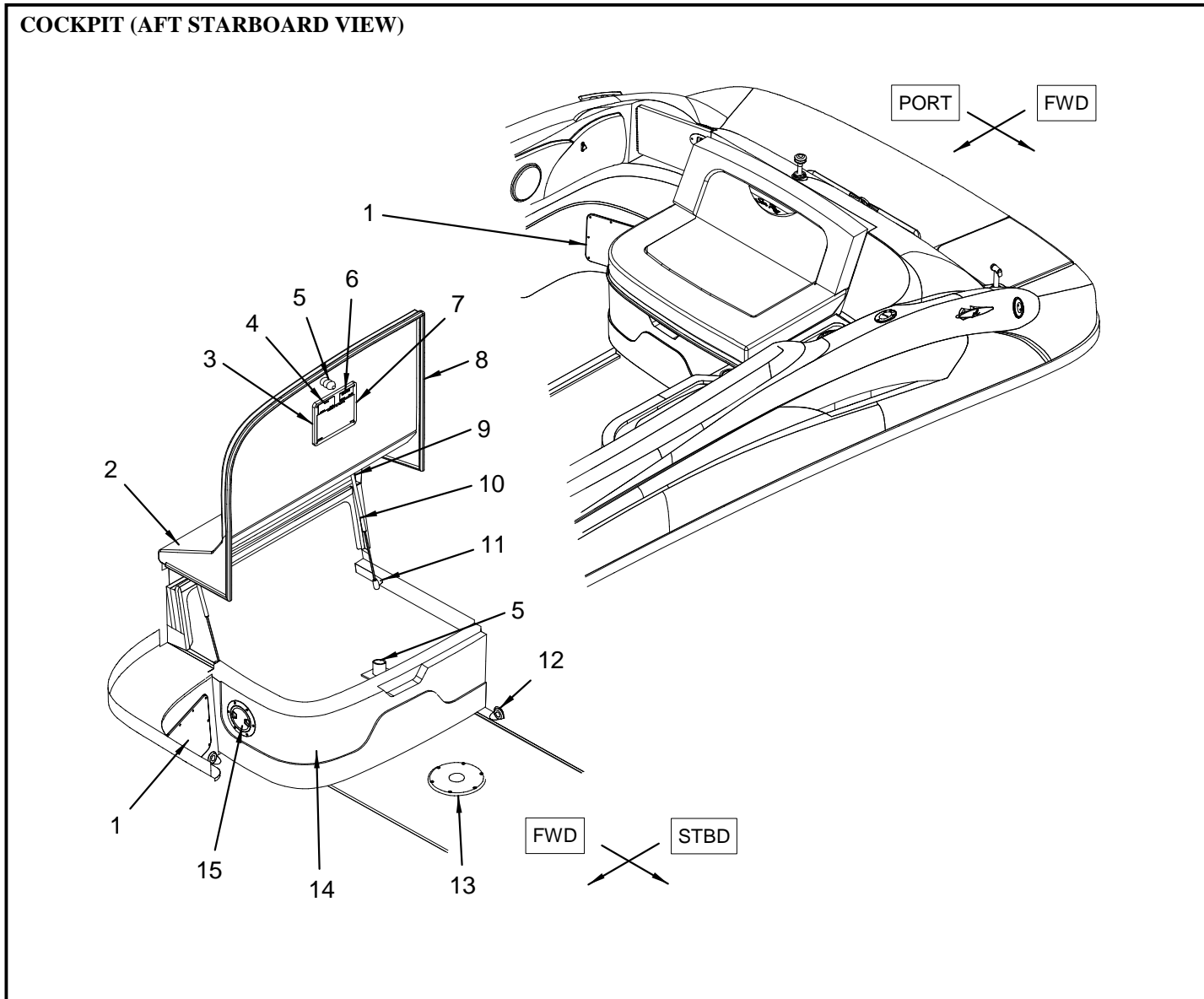
## NOT SHOWN

1	1752709	PLATE, NMMA YACHT CERT GAS
	1580026	PLATE, CE OPT C:12PERSON/1360KG (C E OPTION GROUP)
	1804046	LABEL, STICKER 270SD CANADIAN CONFORMITY (CANADIAN CONFORMITY STICKER)
2	1758073	DOOR, HDPE 270SD-04 STRG WALK-THRU W/HINGE
	1882915	HINGE, 270SD-04 STRG WALK-THRU (PART OF DOOR 1758073)
	1882916	LATCH, 270SD-04 STRG WALK-THRU FRNT DOOR (PART OF DOOR 1758073)
	1882917	LATCH, 270SD-04 STRG WALK-THRU REAR DOOR (PART OF DOOR 1758073)
3	1611490	LATCH, #7756 OMNI FLAT 1/2" N/ LCK (PART OF DOOR 1758073)
	1688784	STRIKER, #7790 SS THNR OMNI FLAT CLSD POSTN (PART OF DOOR 1758073)
4	1595792	TRIM, PLAS ANGLE 7/8"X 1.5" TAPERED PRL
5	1148519	TABLE, T/F CKPT ROUND PRL 99
6	876979	BASE, LEG/POST SURF MT ALUM
7	1500552	CLIP, TABLE LEG 60MM TUBE BLK
8	1623883	POST, TABLE LEG 2.25"X 27.25" ANOD TAPER
9	855809	ROPE, DOCKLINE STRAP WHT W/HDWR (SHORT STYLE)
10	1791006	COMPASS, FLSHMT 3 7/8" BLK WT HSE/BLU LT W/CON
	1780993	BULB, COMPASS REPL (1617638) (BULB FOR COMPASS 1791006)
11	1690557	SPEAKER, COAXIAL 6.5" N/CVR
	1806419	GRILL, SPEAKER 6.5" ACOM WHT/BLK
12	1754392	CONTROL, SIDE MNT LOCKBAR 4000 GEN II I/O
	778928	LANYARD, COILED STOP SWITCH (PART OF CONTROL 1754392)
13	1775010	FAUCET, FOLD DOWN SGL TAP CHR
14	1586460	LID, HDPE 270SD-02 ENT CNTR SLIDER LID PRL
15	1750874	HOLDER, DRINK SS 3-RING 3" (KING)
16	1592567	RAIL, GRAB 270SD-02 CKPT ENT CNTR W/3.5"STUDS
17	1684899	DOOR KEEPER, #7709 BLK PLAS FOR OMNI 3/4" (PART OF DOOR 1684899)
18	1771016	LIGHT, NAV STERN FLSH MNT RND CHR/BRS W/CONN
	901199	BULB, STERN NAV LIGHT REPL #137406-1227412 (BULB FOR LIGHT 1771016)
19	1783331	DOOR, PLEX 270SD-05 ENT CNTR W/SS STHCO
	1746034	HINGE, 270SD-02 ENT/CTR DOOR (1586478) (PART OF DOOR 1783331)
	1781434	LATCH, FLUSH MNT N/LOCKING SLAM SS (PART OF DOOR 1783331)
	1781436	PLATE, FLAT BRKT 2"SHORT SCREW W/HDWR PKG (PART OF DOOR 1783331)
	1596394	FLOORING, PVC MAT 270SD-02 ENT CNTR STRG WHT
	1744745	LABEL, DISPOSAL OF GARBAGE
	1747505	LABEL, INFO REPL PROD/BROCH/DLRLOC/ETC
	431098	BASKET, TRASH 11 3/8"X 8.25"X 12 1/8" BEIGE
20	1629294	PEDESTAL, ALUM 10.75" RIBBED W/DELCP
	1754578	SLIDE ASSY, SEAT MILLENNIUM 10.5" M/H LONG HDL
	823401	NUT, HEX KEP/STAR LOCK #8.32 SS (PART OF SLIDE ASSY 1754578)
	1762918	HANDLE, MILLENNIUM SEAT SLIDE LONG W/O GRIP (PART OF SLIDE ASSY 1754578)
	1762920	CAP, RUBBER MILLENNIUM SLIDE HANDLE GRIP (PART OF SLIDE ASSY 1754578)
	1762921	HANDLE, MILLENNIUM SLIDE C-T ADJUSTER (PART OF SLIDE ASSY 1754578)
	1762922	PIN, ROLL MILLENNIUM SLIDE CAM LEVER (PART OF SLIDE ASSY 1754578)
	1762923	SCREW, MILLENNIUM SLIDE SMALL CAM LEVER (PART OF SLIDE ASSY 1754578)
	1762924	LEVER, MILLENNIUM SLIDE SMALL CAM (PART OF SLIDE ASSY 1754578)
21	814012	COOLER, 36QT
22	1287283	RECEPTACLE, FEMALE 12V LONG THRD BLK
	1744738	LABEL, RECEPTACLE 12V-15A MAX (LEXAN)
23	1885460	BUMPER, BLK (PART OF DOOR 1758073)
24	1882918	CATCH, 270SD-04 STRG WALK-THRU BLK (PART OF DOOR 1758073)
25	1882919	CATCH, 270SD-04 STRG WALK-THRU SS (PART OF DOOR 1758073)
26	1194521	SHIM, HDPE 1/4"X 1/2"X 1.75" ARW

129247	BAR, ALUM FLAT 1/8"X 2"X 12'
744201	TUBING, POLY STYRENE 4.25"X 1.5"
1586445	COOLER, 270SD-02 WET BAR PRL
1595958	SINK, V/F WET BAR PRL 270SD-02
776567	CATCH, ROUND PLAS 13/16" "DUAL LOCK" (3M)

## MANUAL BILGE PUMP (C E OPTION GROUP)

529016	PUMP, BILGE 16GPM MANUAL TWO POS
123844	HOSE, SANI/SMOOTH WALL 1.5"
256693	CLAMP, HOSE #24 1"-2" SS .505
801563	PUMP, BILGE MANUAL PICKUP/STRAINER
1778928	THRU-HULL, SS 1.5"BARB SHORT W/RBR GASKET
1745514	LABEL, PREVENT DISCHARGE OF POLLUTANTS



**COCKPIT (AFT STARBOARD VIEW)**

- 1 1595537 COVER, HDPE 270SD-02 ENTRYWAY STEP ACCESS
- 2 1851430 270SD 07,CVR,MTRBX FBRGLS
- 3 636423 HINGE, SS CONT 2"X 38" SLOTTED
- 4 1851449 270SD 07,PNL,MTRBX WARNING TAGS
- 5 1745513 LABEL, WARNING LEAKING FUEL
- 6 1740418 CATCH, RBR SUNPAD HOLD-DOWN W/OCTAGON PLUNGER
- 7 1745512 LABEL, STAY CLEAR OF MOVING PARTS ON ENGINE
- 8 1744737 LABEL, DISCHARGE OF OIL (LEXAN)
- 9 1745514 LABEL, PREVENT DISCHARGE OF POLLUTANTS (C E OPTION GROUP)
- 10 1156355 TRIM, EDGE PRL MOTOR BOX SMALL
- 11 634592 BRACKET, SS GAS CYL FLAT W/BALL STUD
- 12 1396860 CYLINDER, GAS SS 80PSI 20"EXT X 12"COMP
- 13 634550 BRACKET, SS GAS CYL 90DEG L-BRKT W/BALL LONG
- 14 1392794 THRU-HULL, PLAS 1 1/8" TUBE X 90DEG PRL
- 15 876961 BASE, LEG/POST FLUSH MT ALUM
- 16 1851450 270SD 07,SKIRT,MTRBX FBRGLS
- 17 1155993 ACCESS PLATE, POLYPROP W/O-RING 4" PEARL

**FOAM**

- 1593094 FOAM, P/C 270SD-02 CONV BILGE 2-PC SET
- 1597962 FOAM, P/C 270SD-02 CONV BILGE MTRBX TOP (PART OF FOAM SET 1593094)
- 1598010 FOAM, P/C 270SD-02 CONV BILGE MTRBX SKIRT (PART OF FOAM SET 1593094)

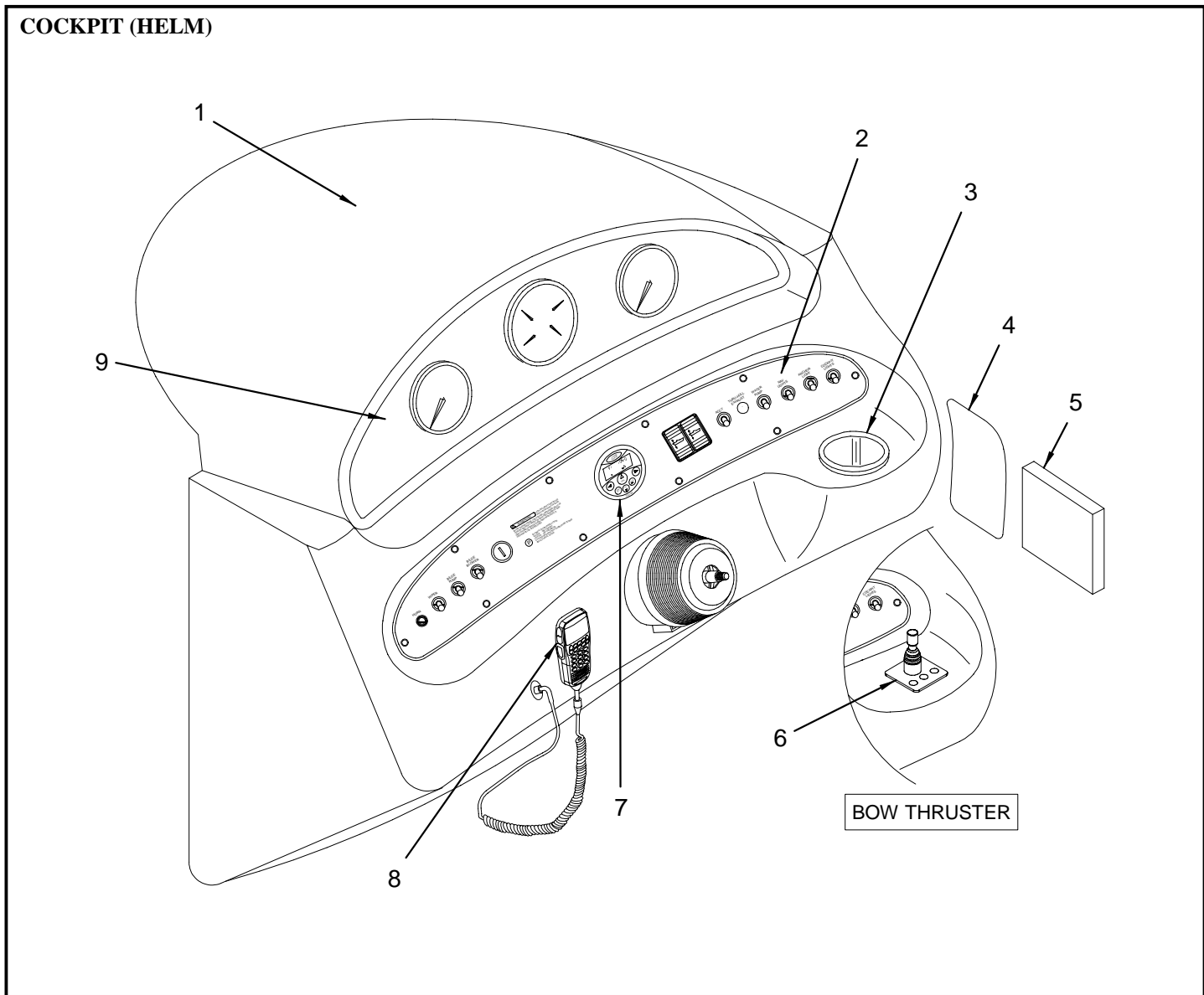
**FOAM (continued)**

- 1597046 FOAM, P/C 270SD-02 CONV BILGE CE OPT 2-PC SET (C E OPTION GROUP)

**LABELS**

- 1745515 LABEL, WARNING DO NOT STAND/WALK THIS AREA
- 1744762 LABEL, WARNING PYHY FIRE EXT PRT (LEXAN)





**COCKPIT (HELM)**

- 1 1778640 VISOR, DASH 270SD-05 NCKL
- 2 1846469 PANEL, 270SD-07 SW METCHRY  
(HULL#1041->UP)
- 1846468 PANEL, BLANK:270SD-07 SW METCHRY  
(HULL#1041->UP)  
(BLANK FOR PANEL 1846469)
- 1801893 PANEL, 270SD-06 SW METCHRY  
(HULL#1001->1040)
- 1801892 PANEL, BLANK:240/270SD-06 SW METCHRY  
(HULL#1001->1040)  
(BLANK FOR PANEL 1801893)
- 1810165 PANEL, 270SD-06 SW METCHRY W/DTS  
(496 DTS MAG BR3 (375 PHP) MCM STERN DRIVE)  
(496 DTS MAG HO BR3 (425PHP) MCM STERN DRIVE)
- 1810162 PANEL, BLANK:270SD-06 SW METCHRY W/DTS  
(BLANK FOR PANEL 1810162)  
(496 DTS MAG BR3 (375 PHP) MCM STERN DRIVE)  
(496 DTS MAG HO BR3 (425PHP) MCM STERN DRIVE)
- 3 1812917 HOLDER, DRINK SS 4"X 3" MUG SZ PLSHD RIM  
124347 HOSE, PVC CLEAR 3/8"
- 4 1745122 LABEL, DANGER/WARNING COMBO CNTRL STA
- 5 1807911 SPEAKER, REMOTE NRTHSTR VHF BLKBOX  
(PART OF 1807449)  
(VHF RADIO - W/ ANTENNA)
- 6 1765067 BOW THRUSTER, JOYSTICK (IMTRA)12/24V W/ON/OFF  
(BOW THRUSTER)
- 1751061 LABEL, BOW THRUSTER  
(BOW THRUSTER)

- 7 1799348 STEREO, REMOTE CNTRL W/DSPK BLK FACE/SS BZL  
1312750 CABLE, CLARION REMOTE EXTENSION CABLE 24'
- 8 1839235 RADIO, VHF NRTHSTR PLAT COLOR  
1807449 RADIO, VHF NRTHSTAR NS100  
(VHF RADIO - W/ ANTENNA)
- 1807910 RADIO, VHF NRTHSTR BLKBOX HANDSET  
(PART OF 1807449)  
(VHF RADIO - W/ ANTENNA)
- 9 1775599 PANEL, BLANK:240/270SD-05 INST METCHRY  
1600485 PANEL, BLANK:260DA/270SD-02 INST STD  
(NO CUTOUTS - BLANK ENGINES)

**DIGITAL THROTTLE AND SHIFT**

- 1812222 HARNESS, ENG MERC DATA 14-PIN DTS 25'  
(496 DTS MAG BR3 (375 PHP) MCM STERN DRIVE)  
(496 DTS MAG HO BR3 (425PHP) MCM STERN DRIVE)
- 1812223 CONTROL, DTS PNL MNT KIT-CHROME  
(496 DTS MAG BR3 (375 PHP) MCM STERN DRIVE)  
(496 DTS MAG HO BR3 (425PHP) MCM STERN DRIVE)
- 1507326 ACC PART, MERC S-CRFT JUNC BOX 4-WAY  
(PART OF CONTROL KIT 1812223)
- 1774184 CONTROL, PNL MNT SGL DTS N/HARNESS '05  
(PART OF CONTROL KIT 1812223)
- 1791580 ACC POWER RELAY HARNESS/RELAY HARNESS KIT DTS  
(PART OF CONTROL KIT 1812223)
- 1801954 SWITCH, IGN ASSY 4-POS W/HOUSING  
(PART OF CONTROL KIT 1812223)
- 1802839 ACC PART, MERC SGL PNL COMMAND MODULE KIT '06  
(PART OF CONTROL KIT 1812223)

**DIGITAL THROTTLE AND SHIFT (continued)**

1812224 ACC PART, MERC DTS CMND MODULE  
(PART OF CONTROL KIT 1812223)

**ELECTRICAL**

1407675 CONN, SOLDERLESS INLINE SPLICE W/CENTER PIN  
731000 FUSE, BLADE TYPE CLOSED 10A  
730994 FUSE, BLADE TYPE CLOSED 7.5A  
(VHF RADIO - W/ ANTENNA)

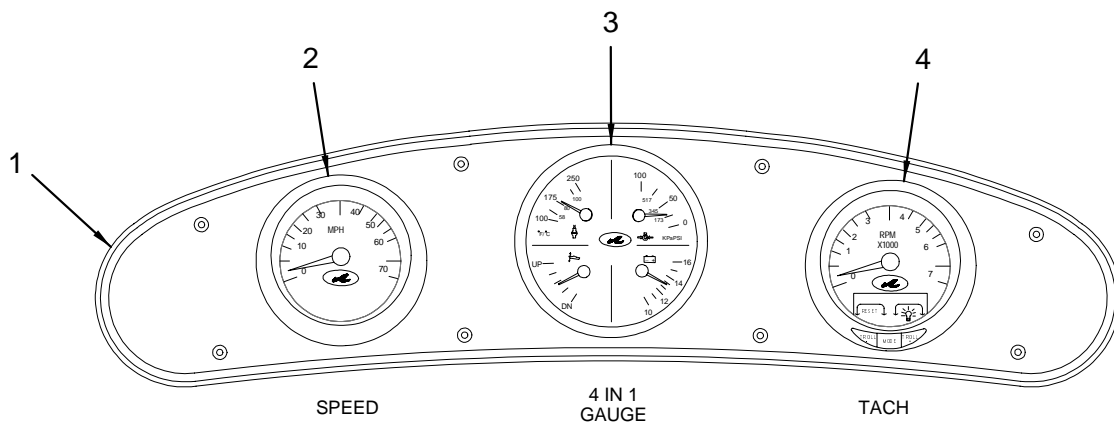
**LABELS**

1811368 LABEL, DANGER CO HELM 06  
1873124 LABEL, U.S. PATENT  
1744762 LABEL, WARNING PYHY FIRE EXT PRT (LEXAN)

**NOT SHOWN**

1754139 ADHESIVE, BOSTIK B960SR NICKLE 10.3OZ TUBE

**INSTRUMENT PANEL**



**INSTRUMENT PANEL**

- 1 1775599 PANEL, BLANK:240/270SD-05 INST METCHRY
- 1600485 PANEL, BLANK:260DA/270SD-02 INST STD  
(NO CUTOUPS - BLANK ENGINES)
- 2 1689917 GAUGE, LINK SPEED 3" S-CRFT 0-70MPH
- 1690381 NUT, LOCK 85MM SPIN LOCK VDO
- 757906 CLAMP, HOSE SPRING 1/4" OD SELF TIGHTENING SS
- 1727800 PITOT, S/CRFT SPEEDO KIT SML BLOCK  
(MX 6.2 MPI BR 3 (320 PHP) MCM STERN DRIVE)
- 1690375 ACC PART, S-CRFT PITOT SENSOR  
(496 MAG BR 3 (375 PHP) MCM S/D)  
(496 MAG HO BR 3 (425 PHP) MCM S/D)
- 3 1768244 GAUGE, 5" 4-IN-1 FUEL/OIL/TMP/TRIM S-CRFT
- 1690382 NUT, LOCK 110MM SPIN LOCK VDO
- 4 1777617 GAUGE, SYS TACH 3" S-CRFT 0-7000RPM RV2
- 1690381 NUT, LOCK 85MM SPIN LOCK VDO

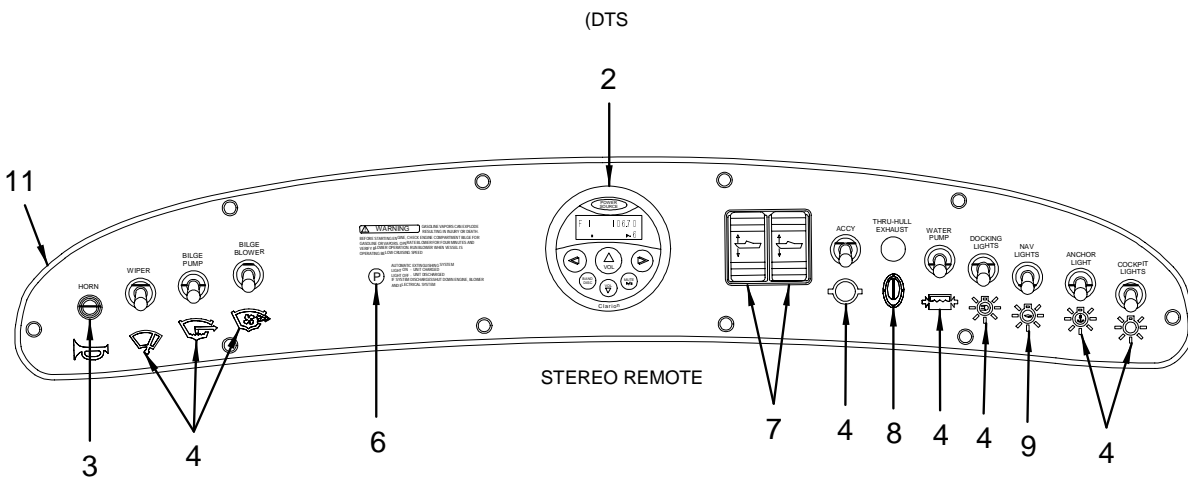
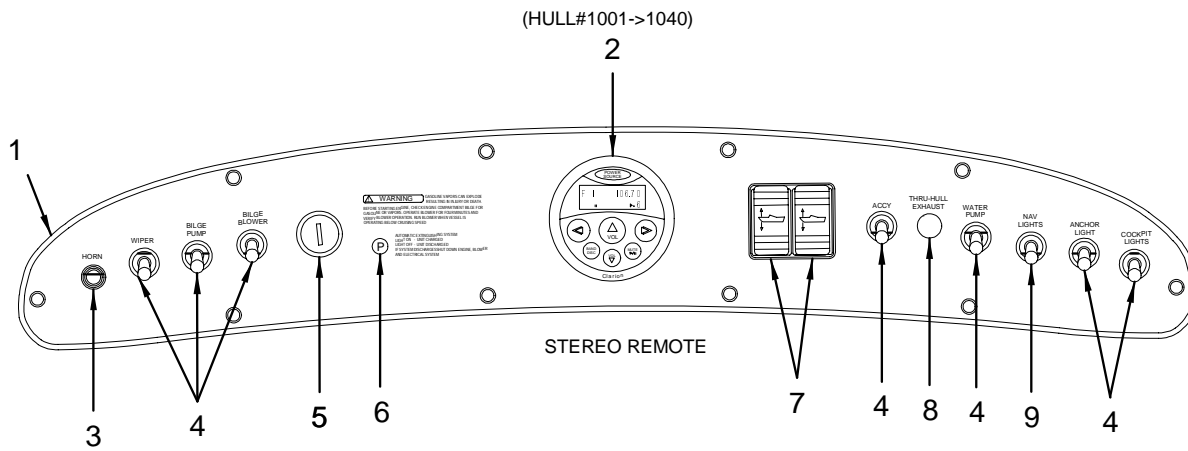
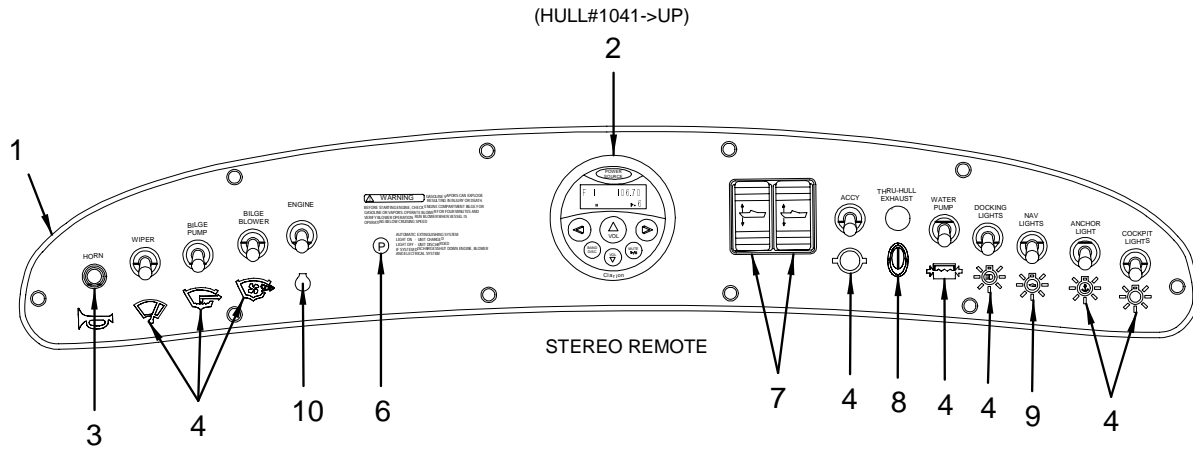
**NOT SHOWN (continued)**

- 1507292 HARNESS, ENG SYSTEMS TACH/MONITOR
- 1507326 ACC PART, MERC S-CRFT JUNC BOX 4-WAY
- 1507334 ACC PART, MERC S-CRFT TERMINATOR JUNC BOX

**NOT SHOWN**

- 1771022 ACC PART, MERC ALARM BUZZER W/HARNESS W/CONN
- 1727450 ACC PART, MERC S-CRFT TRNS W/10' NYL DEP/TEMP
- 1735894 MANUAL, MERC S-CRFT GAUGE PK 90-10229021501  
(SUPPLIED WITH ENGINE OWNER'S MANUAL)
- 1762413 HARNESS, ENG MERC S-CRFT SC100 LINK EXT 12"
- 1727449 HARNESS, ENG MERC S-CRFT 1000-2RSL-25'  
(POWERED TO GAUGES)
- 1727448 HARNESS, MERC DATA S-CRFT W/TERM 1000-1RSL-25'

SWITCH PANEL



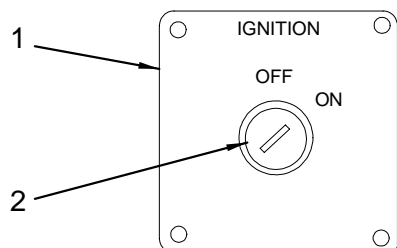
## SWITCH PANEL

- 1 1846469 PANEL, 270SD-07 SW METCHRY  
(HULL#1041->UP)
- 1846468 PANEL, BLANK:270SD-07 SW METCHRY  
(BLANK FOR PANEL 1846469)  
(HULL#1041->UP)
- 1801893 PANEL, 270SD-06 SW METCHRY  
(HULL#1001->1040)
- 1801892 PANEL, BLANK:240/270SD-06 SW METCHRY  
(BLANK FOR PANEL 1801893)  
(HULL#1001->1040)
- 2 1799348 STEREO, REMOTE CNTRL W/DSPL BLK FACE/SS BZL
- 3 762955 SWITCH, HORN
- 4 1757312 SWITCH, TOGGLE CHR W/BLU IND SPST
- 1737371 WASHER, LOCK INT TOOTH NCKL PLATED
- 1787018 NUT, NICKEL FOR TOGGLE SWITCH
- 5 1409366 SWITCH, IGN STARTER
- 1403161 KEY, IGN W/RUBBER SR GRIP "J"
- 1403179 KEY, IGN W/RUBBER SR GRIP "K"
- 1403187 KEY, IGN W/RUBBER SR GRIP "L"
- 1403195 KEY, IGN W/RUBBER SR GRIP "M"
- 1403203 KEY, IGN W/RUBBER SR GRIP "P"
- 1403211 KEY, IGN W/RUBBER SR GRIP "S"
- 1403229 KEY, IGN W/RUBBER SR GRIP "R"
- 1403237 KEY, IGN W/RUBBER SR GRIP "N"
- 1449818 KEY, IGN W/RUBBER SR GRIP "BLANK"
- 1801954 SWITCH, IGN ASSY 4-POS W/HOUSING  
(496 DTS MAG BR3 (375 PHP) MCM STERN DRIVE)  
(496 DTS MAG HO BR3 (425PHP) MCM STERN DRIVE)
- 1803407 SWITCH, IGN ASSY 4-POS N/HOUSING  
(496 DTS MAG BR3 (375 PHP) MCM STERN DRIVE)  
(496 DTS MAG HO BR3 (425PHP) MCM STERN DRIVE)
- 6 1706223 PLUG, HOLE 5/16 DOME
- 1837239 FIRE EXT SYS, FE241 (SR) 150CF AUTO/MAN W/CON  
(FIRE SUPPRESSION SYSTEM - AUTOMATIC)
- 1799844 HALON SYS, INDICATOR LIGHT 12V GRN  
(SUPPLIED WITH HALON SYSTEM - 1837239)
- 7 709501 ACTUATOR, ROCK VERT BLK W/O LENS TRIM TABS
- 709493 BODY, ROCK SW DPDT (MOM) CEN-OFF W/O LAMP
- 8 137802 PLUG, HOLE 1/2" BLK
- 1757312 SWITCH, TOGGLE CHR W/BLU IND SPST  
(CORSA THRU-HULL EXHAUST SYSTEM)
- 1737371 WASHER, LOCK INT TOOTH NCKL PLATED
- 1787018 NUT, NICKEL FOR TOGGLE SWITCH
- 9 1761354 SWITCH, TOGGLE CHR W/BLU IND DPST
- 1737371 WASHER, LOCK INT TOOTH NCKL PLATED
- 1787018 NUT, NICKEL FOR TOGGLE SWITCH
- 10 1882395 SWITCH, TOGGLE CHR W/BLU IND DPST
- 11 1846471 PANEL, 270SD-07 SW METCHRY W/DTS  
(496 MAG HO DTS BR3 (425PHP) MCM STERN DRIVE)  
(MX 6.2L MPI DTS BR 3 (320 PHP) MCM STERN DR)
- 1846470 PANEL, BLANK:240/270SD-07 SW METCHRY W/DTS  
(BLANK FOR PANEL 1846471)
- 1810165 PANEL, 270SD-06 SW METCHRY W/DTS  
(496 DTS MAG BR3 (375 PHP) MCM STERN DRIVE)  
(496 DTS MAG HO BR3 (425PHP) MCM STERN DRIVE)
- 1810162 PANEL, BLANK:270SD-06 SW METCHRY W/DTS  
(BLANK FOR PANEL 1810165)  
(496 DTS MAG BR3 (375 PHP) MCM STERN DRIVE)  
(496 DTS MAG HO BR3 (425PHP) MCM STERN DRIVE)

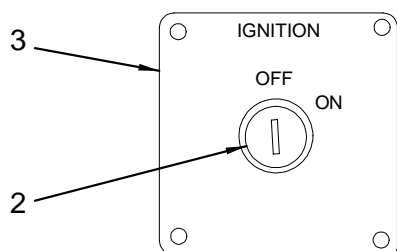
## NOT SHOWN

- 1846466 FUSE BLOCK, 14-GNG BLADE-TYPE W/ID LBL 270SD  
(HULL#1042->UP)  
(PART OF WIRING HARNESS - 1846858)
- 1777914 FUSE BLOCK, 14-GNG BLADE-TYPE W/ID LBL SUNDKS  
(HULL#1001->1041)  
(PART OF WIRING HARNESS - 1810960)
- 1846858 HARNESS, 270SD-07 WIRE W/S-CRFT W/DTS  
(HULL#1044->UP)
- 1810960 HARNESS, 270SD-06 WIRE W/S-CRFT W/DTS  
(HULL#1001->1043)

**IGNITION SWITCH PANEL**

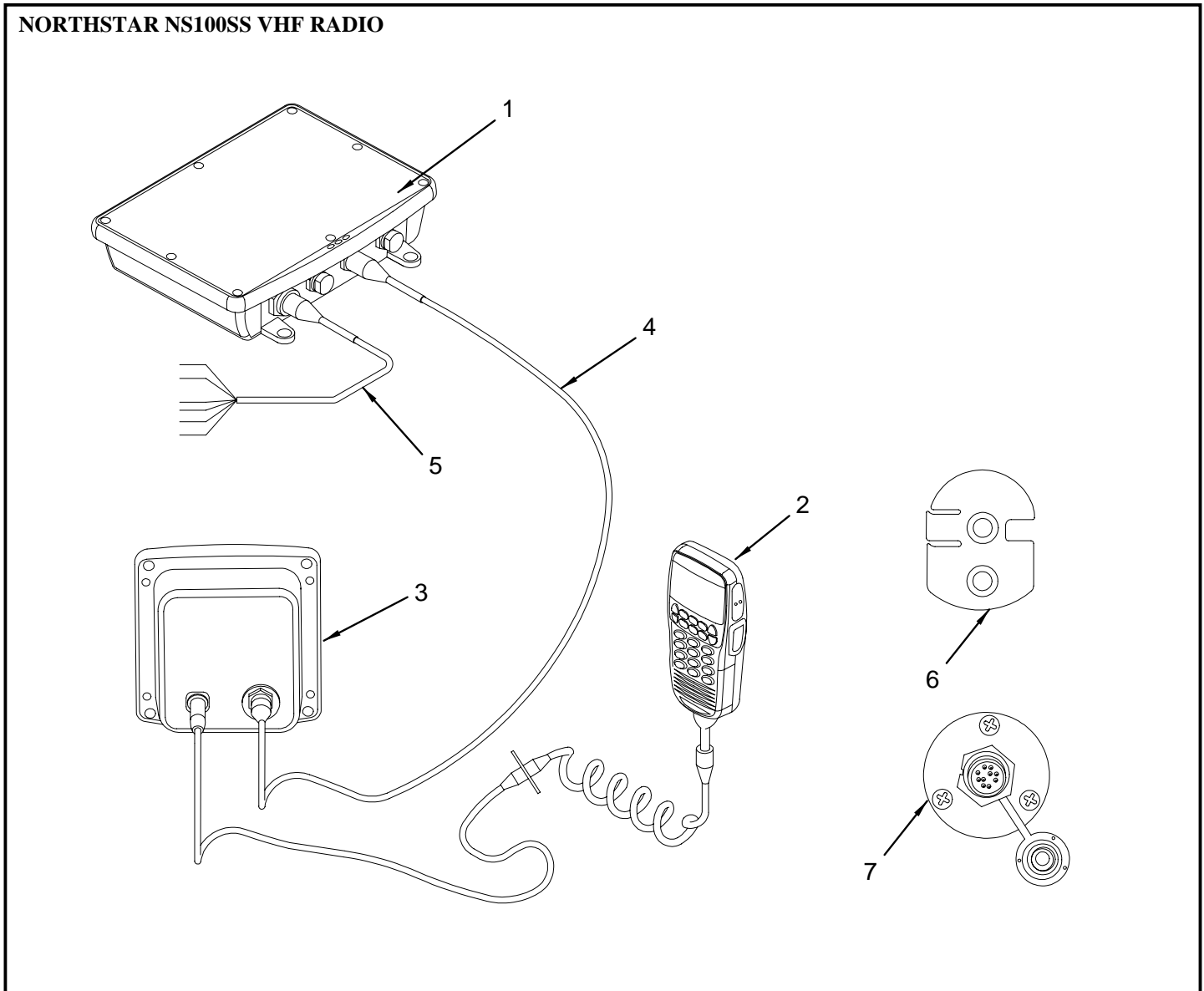


**DTS**



**IGNITION SWITCH PANEL**

- 1 1837975 PANEL, IGN SW/TOGGLE SYS  
(HULL#1041->UP)
- 2 1544188 SWITCH, KEY ASHI DENSO  
(HULL#1041->UP)
- 3 1839516 PANEL, IGN SW W/DTS  
(496 DTS MAG BR3 ( 375 PHP ) MCM STERN DRIVE)  
(496 DTS MAG HO BR3 (425PHP) MCM STERN DRIVE)

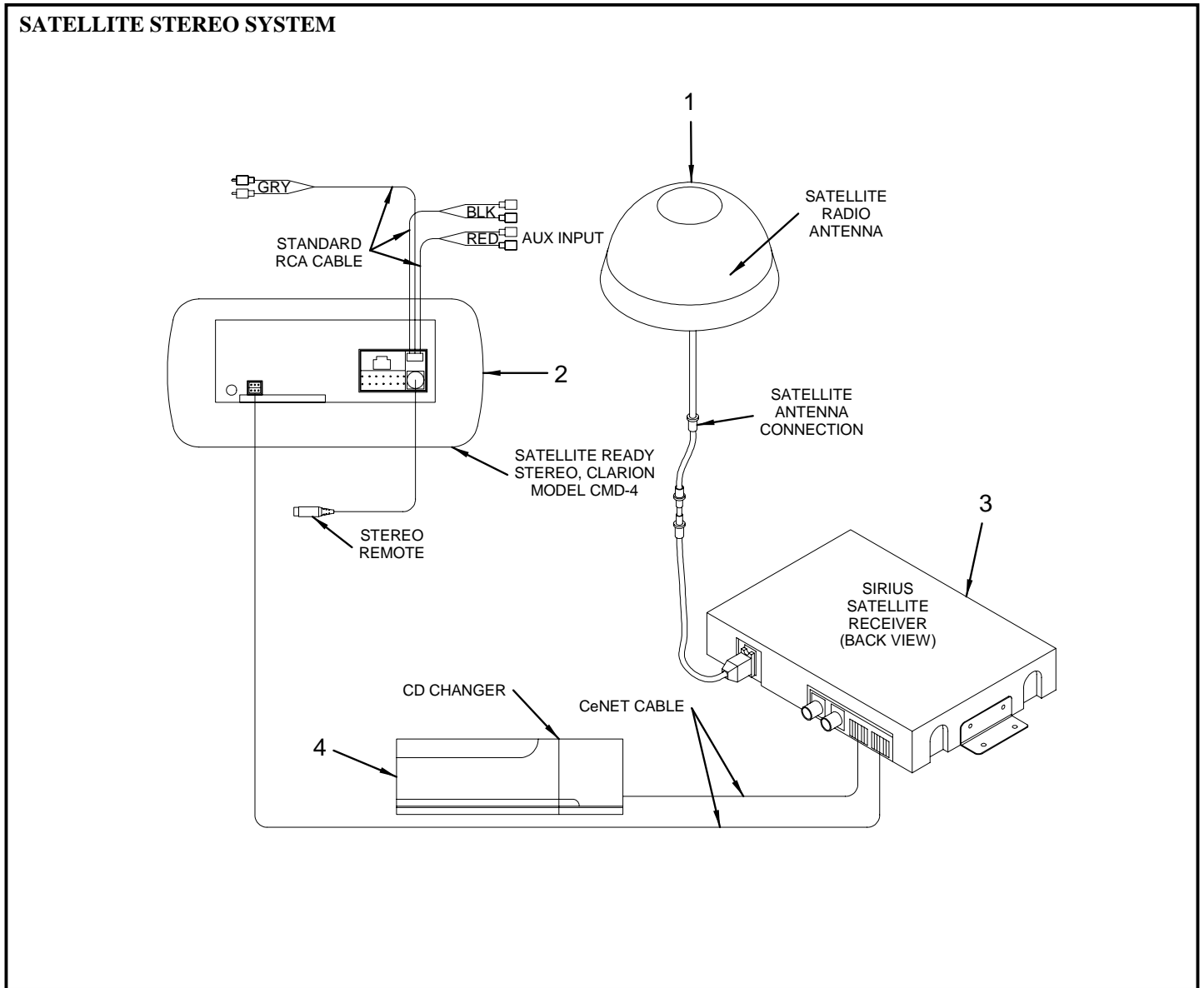


**NORTHSTAR NS100SS VHF RADIO**

- 1 1807908 BASE, PLAS NRTHSTR VHF RADIO BLKBOX  
(PART OF RADIO 1807449)
- 2 1807910 RADIO, VHF NRTHSTR BLKBOX HANDSET  
(PART OF RADIO 1807449)
- 1807870 HARNESS, NRTHSTR VHF BLKBX SPKR-HNDSET EXT 3'  
(PART OF RADIO 1807449)
- 3 1807911 SPEAKER, REMOTE NRTHSTR VHF BLKBOX  
(PART OF RADIO 1807449)
- 4 1807869 HARNESS, NRTHSTR VHF BLKBX TO SPKR CBL 72"  
(PART OF RADIO 1807449)
- 5 1807871 HARNESS, NRTHSTR VHF BLKBX PWR CBL 6'  
(PART OF RADIO 1807449)
- 6 1851777 RADIO, VHF MIC CLIP ONLY  
(PART OF RADIO 1807449)
- 7 1878760 RADIO, VHF MIC PLATE BLK  
(PART OF RADIO 1807449)

**NOT SHOWN**

- 1807449 RADIO, VHF NRTHSTAR NS100  
(COMPLETE PACKAGE - SUBCOMPONENTS LISTED ABOVE)



**SATELLITE STEREO SYSTEM**

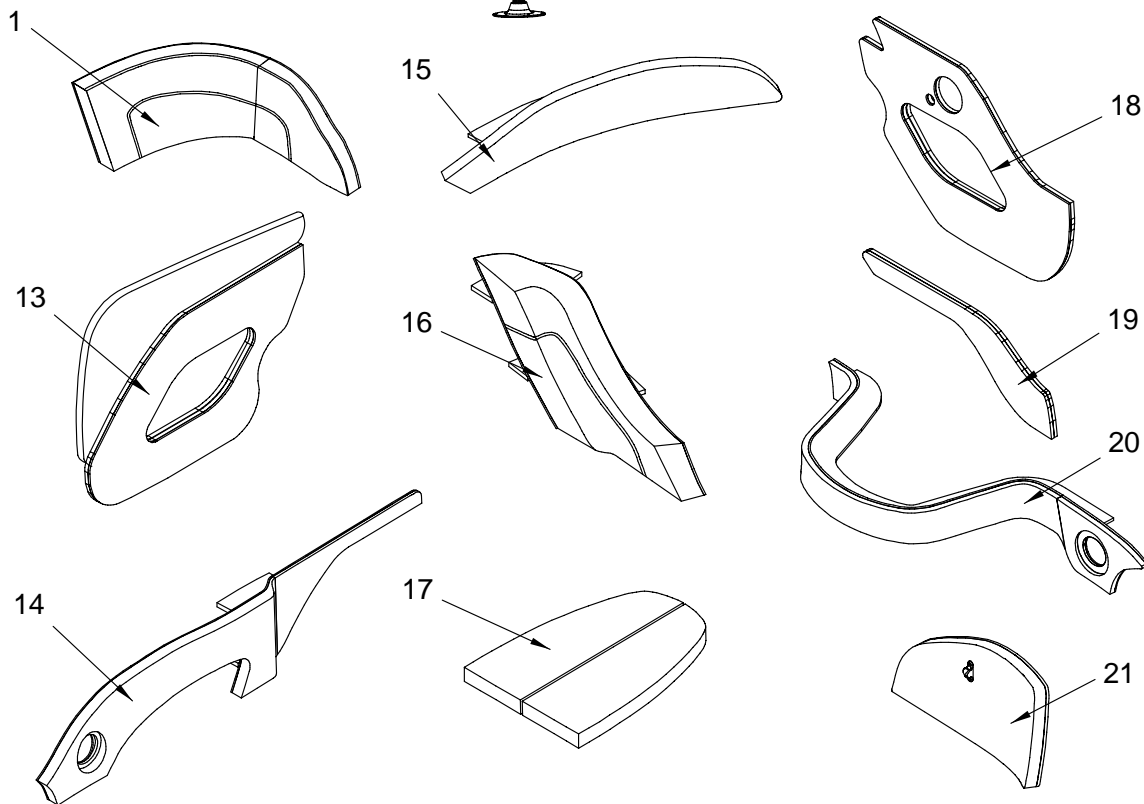
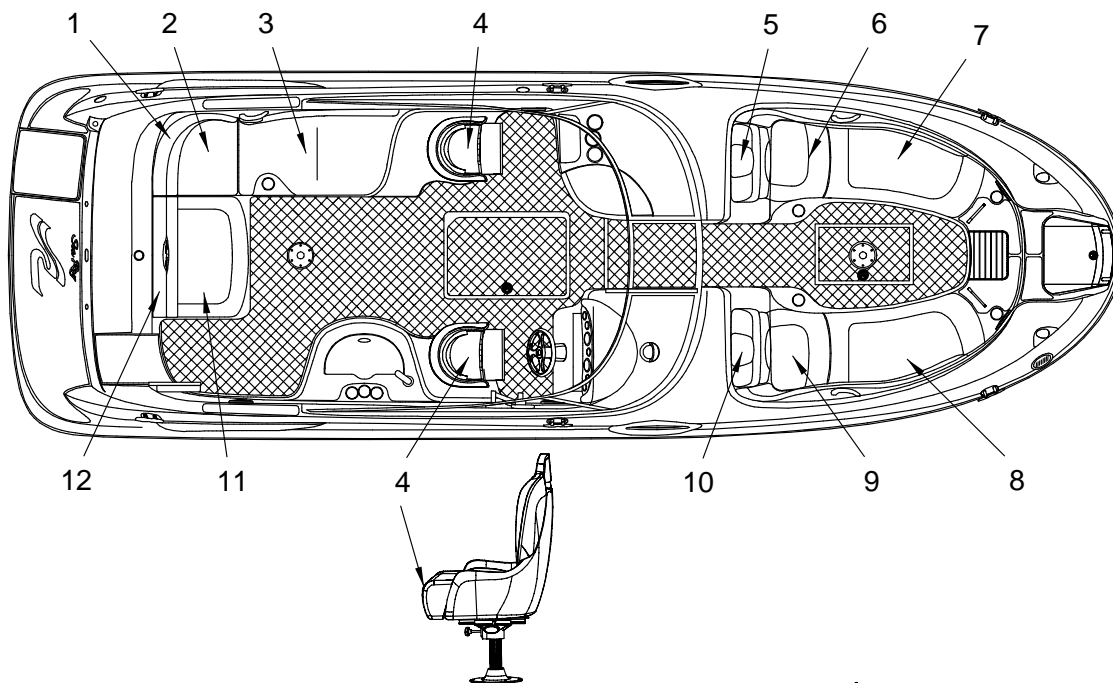
- 1 1757933 ANTENNA, SHAKESPEARE SATELLITE RADIO ANTENNA
- 2 1854318 STEREO, AM/FM CD/CHNGR/SIR/XM SAT CMD4A  
(HULL#1039->UP)
- 1803464 STEREO, AM/FM CD W/CHNGR/SIR SAT PLAYER CMD4  
(HULL#1001->1038)
- 3 1847461 STEREO, SIRIUS SATELLITE RCVR SIRCL3M-6MO
- 1887355 CABLE, SIRIUS SATELLITE RCVR CENET SIRCLM3
- 4 1733835 STEREO, CD CHANGER 6-DISC DCZ625 C-NET  
(CD CHANGER, 6 DISC)
- 1122357 STEREO, CD (6 DISC) MAGAZINE CLARION  
(PART OF STEREO 1733835)  
(CD CHANGER, 6 DISC)

**LABELS**

- 1806416 DECAL, SIRIUS "NOW PLAYING INSIDE"



COCKPIT (UPHOLSTERY)



**COCKPIT (UPHOLSTERY)****VINYLS**

1	1851400	270SD 07,BLSTR,CKPT PRT LNG AFT
	1851396	270SD 07,BLSTR SKN,CKPT PRT LNGR AFT
2	1851422	270SD 07,CUSH,CKPT PRT LNG AFT
	1847641	270SD 07,CUSH SKN,CKPT PRT LNGR AFT
3	1851423	270SD 07,CUSH,CKPT PRT LNGR FWD
	1851411	270SD 07,CUSH SKN,CKPT PRT LNGR FWD
4	1838445	BKT SEAT, MATRIX W/THRS SEASHL/NCKL/PWTR (CONTACT VENDOR FOR REPLACEMENT PARTS)
5	1851388	270SD 07,B/R,BOW FLPUP PRT
	1851385	270SD 07,B/R SKN,BOW FLPUP PRT
6	1851417	270SD 07,CUSH,BOW PRT AFT
	1851406	270SD 07,CUSH SKN,BOW PRT AFT
7	1851418	270SD 07,CUSH,BOW PRT FWD
	1851407	270SD 07,CUSH SKN,BOW PRT FWD
8	1851421	270SD 07,CUSH,BOW STB FWD
	1851410	270SD 07,CUSH SKN,BOW STB FWD
9	1851420	270SD 07,CUSH,BOW STB AFT
	1851409	270SD 07,CUSH SKN,BOW STB AFT
10	1851389	270SD 07,B/R,BOW FLPUP STB
	1851386	270SD 07,B/R SKN,BOW FLPUP STB
11	1851424	270SD 07,CUSH,MTRBX
	1851412	270SD 07,CUSH SKN,MTRBX
12	1851390	270SD 07,B/R,MTRBX
	1851387	270SD 07,B/R SKN,MTRBX
13	1851442	270SD 07,PNL,CKPT PRT SIDE FWD LWR
14	1851443	270SD 07,PNL,CKPT PRT SIDE LNGR UP
15	1847650	270SD 07,BLSTR,BOW PRT
	1851391	270SD 07,BLSTR SKN,BOW PRT
	1851398	270SD 07,BLSTR,BOW STB
	1851393	270SD 07,BLSTR SKN,BOW STB
16	1851397	270SD 07,BLSTR,BOW PRT CRNR
	1851392	270SD 07,BLSTR SKN,BOW PRT CRNR
	1851399	270SD 07,BLSTR,BOW STB CRNR
	1851394	270SD 07,BLSTR SKN,BOW STB CRNR
17	1851419	270SD 07,CUSH,BOW SNPD FILR (FILLER CUSHIONS)
	1851408	270SD 07,CUSH SKN,BOW SNPD FILR (FILLER CUSHIONS)
	1144179	VINYL, SEABROOK D SEA SHELL EXP 1/4"F/B (FILLER CUSHIONS)
	103309	MESH, WHITE 60" (FILLER CUSHIONS)
	180182	ZIPPER, #5 DELRIN CONTINUOUS WHT (FILLER CUSHIONS)
	180406	SLIDE, DELRIN #5 WHT 1-S LOCK (FILLER CUSHIONS)
18	1851447	270SD 07,PNL,CKPT STB SIDE LWR
19	1851448	270SD 07,PNL,CKPT STB SIDE UP
20	1851445	270SD 07,PNL,CKPT SIDE ENT/CTR
21	1851446	270SD 07,PNL,CKPT STB SIDE AFT

1778337	VINYL, NICKEL SR-4983A EXP FLAT
1778341	VINYL, NICKEL SR-4983A EXP 1/4" FB
1144179	VINYL, SEABROOK D SEA SHELL EXP 1/4"F/B
1154418	VINYL, SEABROOK D LT CAMEO EXP 1/4"F/B

**COCKPIT STORAGE/NON-VISIBLE CARPET**

795286 CARPET, EXT 12 OZ CHAR #0326 LT NEEDLE PUNCH

**FOAM**

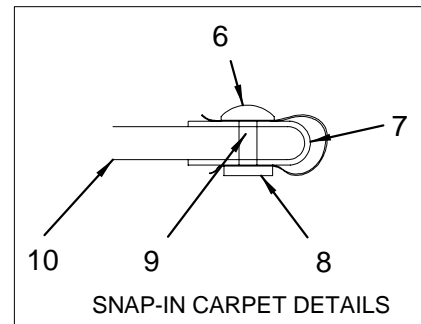
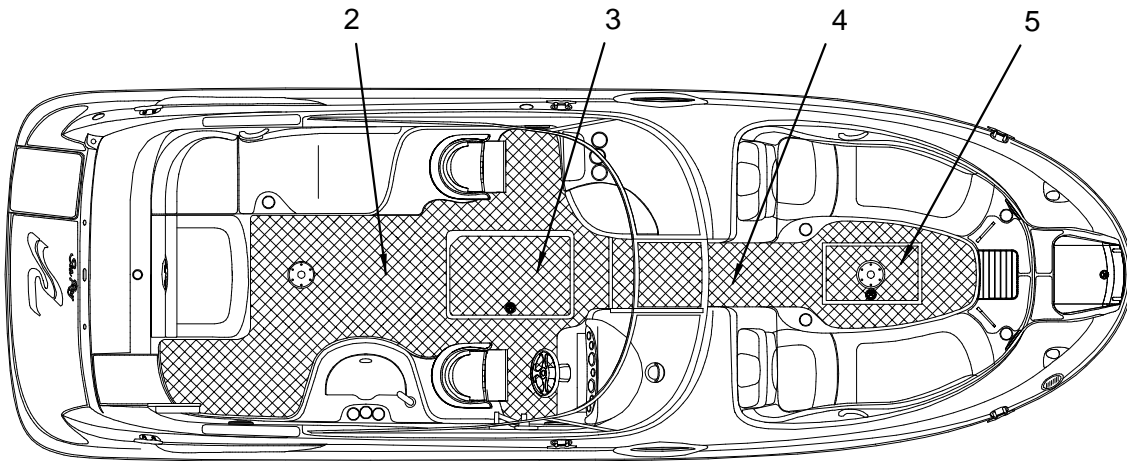
1599414 FOAM, P/C 270SD-02 BOW KIT A BLSTRS/BCKRSTS  
 1599422 FOAM, P/C 270SD-02 BOW KIT B CUSHNS  
 1599455 FOAM, P/C 270SD-02 CKPT-SID PNLS/BLSTRS/CUSHNS  
 1599430 FOAM, P/C 270SD-02 STBD SLEEPER KIT  
 1599463 FOAM, P/C 270SD-02 BOW FILLER 2-PC SET  
 (FILLER CUSHIONS)

**UPHOLSTERY**

283069 VINYL FILM, PLAS 1MM X 5'X 830YD  
 157495 TAB, PULL TAB MATERIAL 6"  
 180182 ZIPPER, #5 DELRIN CONTINUOUS WHT  
 180406 SLIDE, DELRIN #5 WHT 1-S LOCK  
 476531 VELCRO, LOOP WHT 2" (SEW ON)  
 156893 WEBBING, POLYPROPYLENE 1" BLACK  
 103309 MESH, WHITE 60"  
 1164706 HIDEM, GRANDE D LT CAMEO 5/8"  
 1805230 HIDEM, SEABROOK D SEA SHELL 5/8"  
 1619212 WELT, DADE PEWTER MIST 5/32"  
 828434 VELCRO, HOOK WHT 2" (SEW ON)  
 1601913 INSERT, 270SD-02 SCRIPT PLTMM W/6.5 GRY  
 1601939 INSERT, 270SD-02 SCRIPT FLAX W/8.5 GRAY  
 1777206 THREAD, POLYESTER TEX 90 WHT ANEFIL BONDED

**COCKPIT (SNAP-IN CARPET LINER)**

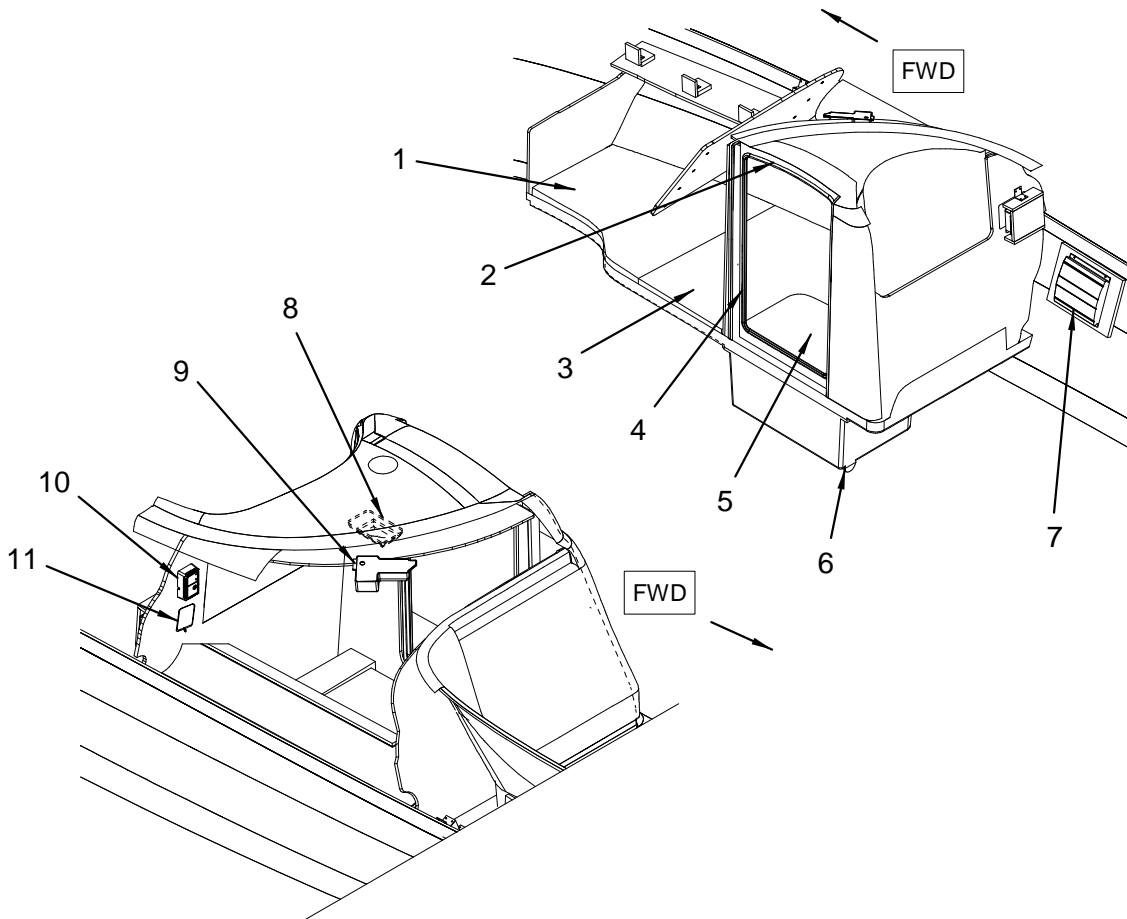
1 —→ COMPLETE SNAP IN CARPET LINER



**COCKPIT (SNAP-IN CARPET LINER)**

- 1 1851404 270SD 07,CARPET,SNPN CMPLT
- 2 1851403 270SD 07,CARPET,SNPN CKPT AFT
- 3 1851405 270SD 07,CARPET,SNPN SKI HATCH
- 4 1851401 270SD 07,CARPET,SNPN BOW
- 5 1851402 270SD 07,CARPET,SNPN BOW STRG HATCH
- 6 154401 SNAP BUTTON, W/1/4" BARREL
- 1790664 SNAP REINFORCEMENT, PLAS BACKER 500 PC/ROLL
- 7 839720 BINDING, CANVAS 1" LINEN BIAS SUNBRELLA
- 8 154393 SNAP SOCKET, MED ACTION
- 9 154369 SNAP STUD, W/#8 X 3/8" PH SS
- 10 1609916 CARPET, EXT 28 OZ DUNE PEBBLE #902 RL 7"W

**INTERIOR**



**INTERIOR**

- 1 1851429 270SD 07,CUSH,SLEEPER FWD
- 1851416 270SD 07,CUSH SKN,SLEEPER FWD
- 2 1595792 TRIM, PLAS ANGLE 7/8"X 1.5" TAPERED PRL
- 3 1851425 270SD 07,CUSH,SLEEPER AFT
- 1851414 270SD 07,CUSH SKN,SLEEPER AFT
- 4 1156355 TRIM, EDGE PRL MOTOR BOX SMALL
- 5 1851428 270SD 07,CUSH,SLEEPER FILR
- 1851415 270SD 07,CUSH SKN,SLEEPER FILR
- 6 1098417 THRU-HULL, PLAS 1 1/8" PRL
- 7 1818887 STEREO, AMP PANASONIC 50WX2CHNL
- 8 1771063 LIGHT, SGL DOME FLUSH MT WHT W/SWITCH W/CONN
- 604801 BULB, DOME LIGHT 12V  
(BULB FOR LIGHT 1771063)
- 633719 LENS, SGL DOME REPL FOR #0596072  
(PART OF LIGHT 1771063)
- 9 1749059 COVER, ASSY WIPER MOTOR SAND
- 10 1781228 MONITOR, CO DETECTOR WHT CMD-4
- 1781352 PLATE, CO MONITOR BCKNG WHT CMD-4 W/PLUG
- 11 1885602 270SD 07,MUFF,STB STRG

**LABELS**

- 1747493 LABEL, LEAVING WINDOW OPEN EXHAUST FUMES

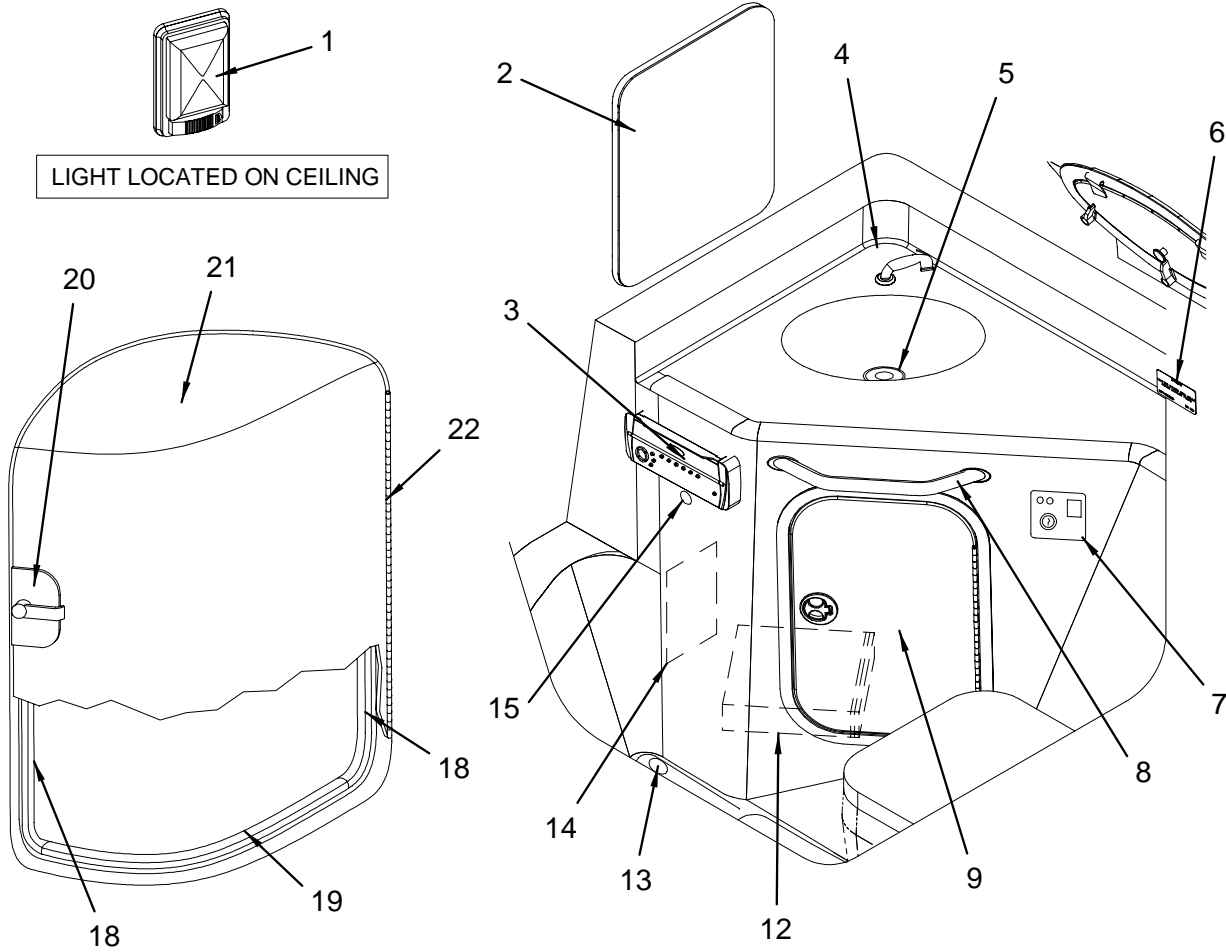
**NOT SHOWN**

- 154328 CLIP, XMAS TREE
- 835850 BRACKET, ALUM 1"X 1"X 1" 3/16"HOLES
- 836023 BRACKET, ALUM 1.5"X 1.5"X 1.5" 3/16"HOLES
- 1599430 FOAM, P/C 270SD-02 STBD SLEEPER KIT
- 744201 TUBING, POLY STYRENE 4.25"X 1.5"

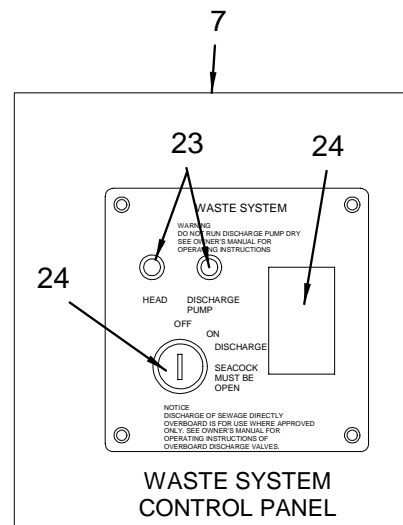
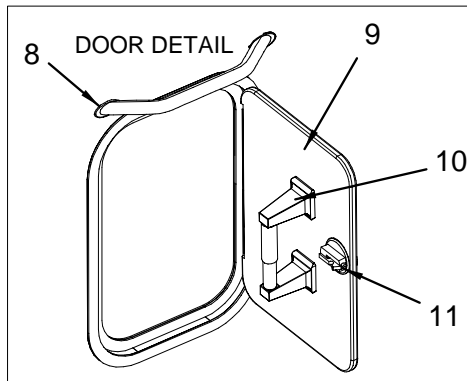
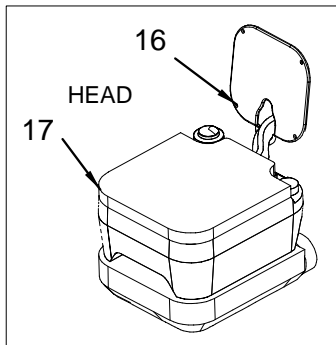
**HEADLINER/HULL LINER/WASHABLE SURFACE**

- 1140367 VINYL, RVIEW LT CAMEO N/W FLAT
- 1747515 VINYL, RVIEW LT CAMEO N/W 1/4"FB
- 1142181 WELT, RVIEW LT CAMEO 5/32"
- 1143312 HIDEM, RVIEW LT CAMEO 5/8"

HEAD



LIGHT LOCATED ON CEILING



## HEAD

1	1771063	LIGHT, SGL DOME FLUSH MT WHT W/SWITCH W/CONN BULB, DOME LIGHT 12V <b>(BULB FOR LIGHT 1771063)</b>	17	1802493	SEAT ASSY, CVR/SEAT/HNG PIN BONE <b>(PART OF HEAD 1745152)</b> <b>(VACUUM FLUSH HEAD W/HOLDING TANK)</b>
	604801			1413616	TANK, HOLDING NEW OWNERS GIFT PACK
	633719	LENS, SGL DOME REPL FOR #0596072 <b>(PART OF LIGHT 1771063)</b>	18	810572	TRIM-SEAL, 3/8" W/3/8" BULB LOC-A
2	1795089	MIRROR, PLEX 13 9/16" X 15 5/8" HEAD CLR W/PVC	19	158386	TRIM, EDGE BLK PEBBLE 3/8"
	1579499	TAPE, DBL-SIDE ADHESIVE 1" X 60YD	20	1717317	LATCH, OFFSHR MORTISE RH-OUT PRVKNB CHR
3	1854318	STEREO, AM/FM CD/CHNGR/SIR/XM SAT CMD4A <b>(HULL#1039-&gt;UP)</b>		1754071	PLATE, MOBELLA SHIM CHR/BR <b>(PART OF LATCH 1717317)</b>
	1803464	STEREO, AM/FM CD W/CHNGR/SIR SAT PLAYER CMD4 <b>(HULL#1001-&gt;1038)</b>		891200	PLATE, STRIKER MOBELLA 1.25"WIDE
	1803706	HARNES, STEREO ADAPTOR CMD4 W/PACKARD CONN	21	1321157	DOOR, RTM 240/270SD-00 HEAD PRL
	1312750	CABLE, CLARION REMOTE EXTENSION CABLE 24'	22	1062348	HINGE, SS CONT 1.5" X 30"
	1751853	CABLE, RCA AUDIO 9M W/EFX-2 CONN N/SUP	23	533109	BRKR, P/BTN-MANUAL RESET 10A <b>(PART OF PANEL 1188945)</b> <b>(VACUUM FLUSH HEAD W/HOLDING TANK)</b>
	1581560	ANTENNA, AMPLIFIED 13398	24	557785	SWITCH, IGN STARTER <b>(PART OF PANEL 1188945)</b> <b>(VACUUM FLUSH HEAD W/HOLDING TANK)</b>
	1757933	ANTENNA, SHAKESPEARE SATELLITE RADIO ANTENNA		1729450	KEY, SIERRA PK501A <b>(PART OF PANEL 1188945)</b> <b>(VACUUM FLUSH HEAD W/HOLDING TANK)</b>
	1806416	DECAL, SIRIUS "NOW PLAYING INSIDE"		1778652	KEY, SIERRA PK521J <b>(PART OF PANEL 1188945)</b> <b>(VACUUM FLUSH HEAD W/HOLDING TANK)</b>
	1766115	PACKET, SIRIUS WELCOME KIT		1778656	KEY, SIERRA PK576K <b>(PART OF PANEL 1188945)</b> <b>(VACUUM FLUSH HEAD W/HOLDING TANK)</b>
	1807866	STEREO, AMP PANASONIC 400W 4CHNL <b>(PREMIER STEREO UPGRADE)</b>		1778657	KEY, SIERRA PK611M <b>(PART OF PANEL 1188945)</b> <b>(VACUUM FLUSH HEAD W/HOLDING TANK)</b>
	935080	CABLE, CLARION DUAL REMOTE "Y" <b>(PREMIER STEREO UPGRADE)</b>		1778658	KEY, SIERRA PK628H <b>(PART OF PANEL 1188945)</b> <b>(VACUUM FLUSH HEAD W/HOLDING TANK)</b>
	1312750	CABLE, CLARION REMOTE EXTENSION CABLE 24' <b>(PREMIER STEREO UPGRADE)</b>		1778659	KEY, SIERRA PK631N <b>(PART OF PANEL 1188945)</b> <b>(VACUUM FLUSH HEAD W/HOLDING TANK)</b>
	1750879	CABLE, RCA AUDIO "Y" (1-FM/2-M) W/NOISE SUPP <b>(PREMIER STEREO UPGRADE)</b>		1778660	KEY, SIERRA PK665P <b>(PART OF PANEL 1188945)</b> <b>(VACUUM FLUSH HEAD W/HOLDING TANK)</b>
	1750878	CABLE, RCA AUDIO 20' W/EFX-2 CONN W/NOISE SUP <b>(PREMIER STEREO UPGRADE)</b>		1778661	KEY, SIERRA PK673F <b>(PART OF PANEL 1188945)</b> <b>(VACUUM FLUSH HEAD W/HOLDING TANK)</b>
	1755999	SPEAKER, 10" SUBWOOFER ACOM W/WHT CVR <b>(PREMIER STEREO UPGRADE)</b>	25	893800	PANEL, WASTE LEVEL INDICATOR 12V <b>(PART OF PANEL 1188945)</b> <b>(VACUUM FLUSH HEAD W/HOLDING TANK)</b>
	1773445	GRILL, SPEAKER SUBWOOFER 10" ACOM WHT <b>(PART OF SPEAKER 1755999)</b> <b>(PREMIER STEREO UPGRADE)</b>	26	1885655	270SD 07,MUFF,VAN HEAD
	1739402	FUSE, BLADE TYPE CLOSED 40A <b>(PREMIER STEREO UPGRADE)</b>			<b>HEADLINER/HULL LINER/WASHABLE SURFACE</b>
	1780550	LABEL, STEREO AMPLIFIER 40AMP <b>(PREMIER STEREO UPGRADE)</b>		1140367	VINYL, RVIEW LT CAMEO N/W FLAT
4	1689704	SHOWER, SPRAY NOZZLE ANGLE BASE W/6'SS HOSE		1747515	VINYL, RVIEW LT CAMEO N/W 1/4"FB
	1764405	SHOWER, BLK HANDLE FAUCET SPRAYER NOZZLE <b>(PART OF SHOWER 1689704)</b>		1142181	WELT, RVIEW LT CAMEO 5/32"
5	583427	DRAIN, W/PLUG 100DEG 3/4" BARB CHR		1143312	HIDEM, RVIEW LT CAMEO 5/8"
	1734472	DRAIN ASSY, STOPPER #4202 MED BLK <b>(PART OF DRAIN 583427)</b>			<b>NOT SHOWN</b>
	123885	HOSE, CORR BILGE 3/4" BLK		1851440	270SD 07,HEADLINER,HEAD
	256685	CLAMP, HOSE #16 3/4"-1.5" SS .505		1269430	SNAP CAP, PLAS ANTIQUE WHT
6	1747493	LABEL, LEAVING WINDOW OPEN EXHAUST FUMES		775379	TUBING, POLY STYRENE 2.25" X 12'
7	1188945	PANEL, 260DA-99 WASTE SYS CNTRL <b>(VACUUM FLUSH HEAD W/HOLDING TANK)</b>			<b>UPHOLSTERY</b>
	1778205	HARNES, 270SD-05 WASTE SYS <b>(VACUUM FLUSH HEAD W/HOLDING TANK)</b>		1212117	WELT, RVIEW LT CAMEO 8/32" GLUED
8	1747836	RAIL, GRAB 12" STREAMLINE W/FLANGES (316L)			
9	1780547	DOOR, HDPE STRG W/18" X 12" PRL FRM W/SS STHCO			
	1746222	HINGE, HEAD STRG DOOR (1392679) <b>(PART OF DOOR 1780547)</b>			
	663708	BUMPER, CLEAR .020" THICK			
10	1155241	HOLDER, TOILET PAPER WALL MNT WHT ROLLER			
11	1781434	LATCH, FLUSH MNT N/LOCKING SLAM SS <b>(PART OF DOOR 1780547)</b>			
	1781436	PLATE, FLAT BRKT 2" SHORT SCREW W/HDWY PKG <b>(PART OF DOOR 1780547)</b>			
12	1733835	STEREO, CD CHANGER 6-DISC DCZ625 C-NET <b>(CD CHANGER, 6 DISC - LOCATED INSIDE LOWER STORAGE)</b>			
	1122357	STEREO, CD (6 DISC) MAGAZINE CLARION <b>(PART OF STEREO 1733835)</b> <b>(CD CHANGER, 6 DISC - LOCATED INSIDE LOWER STORAGE)</b>			
13	1098417	THRU-HULL, PLAS 1 1/8" PRL			
	123901	HOSE, CORR BILGE 1 1/8" BLK			
	256685	CLAMP, HOSE #16 3/4"-1.5" SS .505			
14	1847461	STEREO, SIRIUS SATELLITE RCVR SIRCL3M-6MO			
	1887355	CABLE, SIRIUS SATELLITE RCVR CENET SIRCLM3			
15	1850253	VIDEO EQUIPMENT, AUXILIARY INPUT MP3 MA-AUX2 <b>(HULL#1006-&gt;UP)</b>			
	1803674	VIDEO EQUIPMENT, AUXILIARY INPUT MP3 <b>(HULL#1001-&gt;1005)</b> <b>(NO LONGER AVAILABLE-ORDER 1850253)</b>			
16	1592583	COVER, HDPE 270SD-02 HEAD ACCESS <b>(PUMP-OUT HEAD)</b> <b>(VACUUM FLUSH HEAD W/HOLDING TANK)</b>			
17	595512	HEAD, PORTABLE MSD SANI POTTI PARCHMENT 5.2GL <b>(STANDARD AND PUMP-OUT HEAD)</b>			
	1783917	SEAT ASSY, CVR/SEAT/HNG PIN PRCHMNT <b>(PART OF HEAD 595512)</b> <b>(STANDARD AND PUMP-OUT HEAD)</b>			
	1745172	HEAD, VACU-FLUSH BONE 148 (ECO-VAC) LO-PRO WOD <b>(VACUUM FLUSH HEAD W/HOLDING TANK)</b>			

**MULTI-INFO PACKET**



**MULTI-INFO PACKET**

**MULTI-INFO PACKET**

- 1848305 PACKET, MULTI-INFO 270SD-07  
(MULTI-INFO PACKET (CONTENTS) FILLED BY MERRILL CORP)

**OWNERS PACKET CONTENTS**

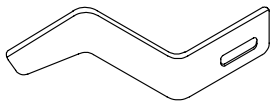
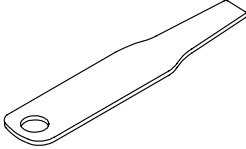
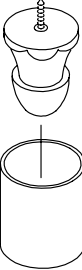
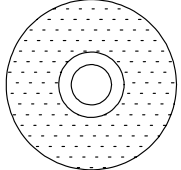
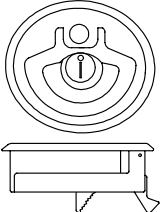
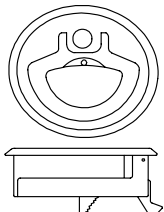
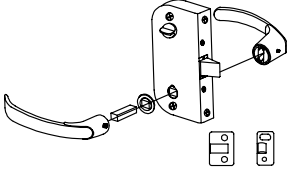
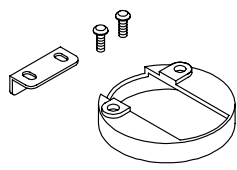
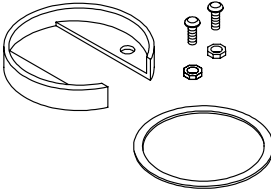
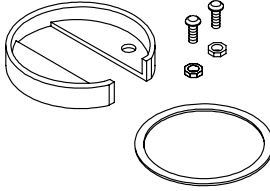
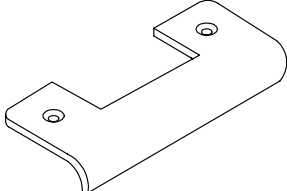
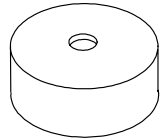
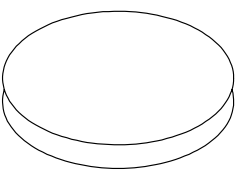
- 1093988 PACKET, OWNERS 2-COMP LEGAL SIZE CANVAS BLK
- 1411404 ENVELOPE, DEALER INFORMATION
- 1507912 CARD, PASSPORT TO SAVINGS
- 1751553 BOOKLET, COAST GUARD FEDERAL REQUIREMENT
- 1764423 BROCHURE, CARBON MONOXIDE AWARENESS
- 1766184 BROCHURE, WATERSKI SAFETY GUIDELINES
- 1798084 LABEL, CHEMICAL WARNINGS
- 1805468 CARD, LADDER MAINTENANCE
- 1836824 CHECK LIST, IN SERVICE-SPBOATS/SPCRUISERS 06
- 1846700 CARD, WARRANTY BOAT DOCUMENT- SPRT BOAT 07
- 1848351 MANUAL, CD DO'S AND DON'TS AT THE GAS PUMP
- 1887035 BROCHURE, USCG YOU'RE IN COMMAND PROP DANGER
- 1887036 BROCHURE, USCG YOU'RE IN COMMAND
- 833749 FUSE BOX, SPARE W/6 ATC BLADE STYLE
- 929828 CARD, BOATING GUIDE

**OWNERS PACKET SUPPLIED BY PLANT**

- 618025 VINYL FILM, MINI GRIP BAG 5" X 8"
- 1068592 KEY, DECK PLATE CAP
- 1584432 TAG, WATER READY
- 1691479 MANUAL, OWNERS - SEA RAY INT'L 12-LANGUAGE  
(C E OPTION GROUP)
- 1735894 MANUAL, MERC S-CRFT GAUGE PK 90-10229021501  
(SUPPLIED WITH ENGINE OWNER'S MANUAL)
- 1880468 CHECK LIST, INT'L DISCLOSURE SPBT/SPCRUSR '06  
(INTERNATIONAL IN-SERVICE CHECKLIST)

RIVERVIEW HARDWARE

# RIVERVIEW PLANT HARDWARE

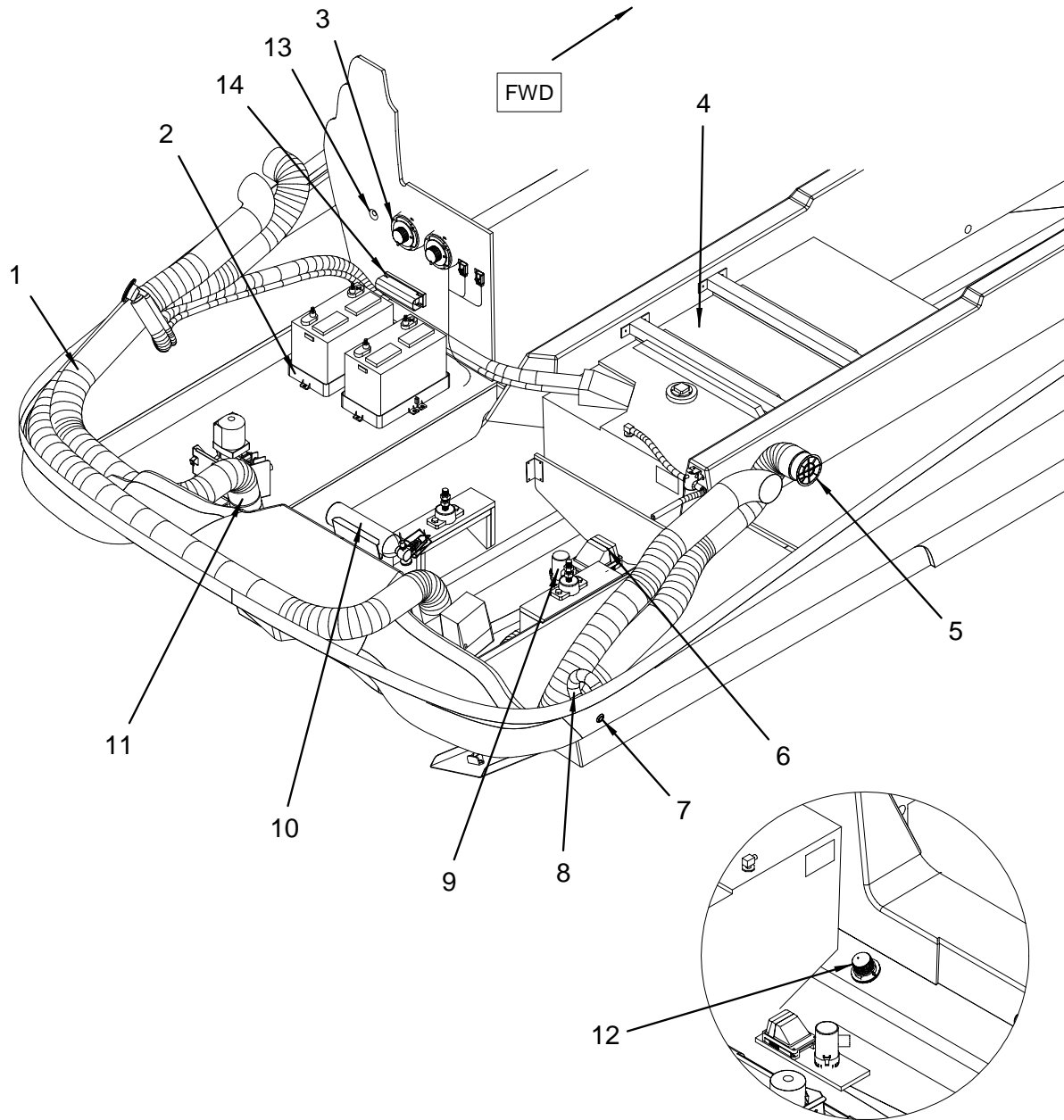
 <p>1 → 1781445</p>	 <p>2 → 1783661</p>	<p>OCTAGON PLUNGER</p>  <p>3 → 1740418</p>	 <p>4 → 776567</p>
<p>STAINLESS STEEL</p>  <p>5 → 1833695</p>	<p>STAINLESS STEEL</p>  <p>6 → 1781437</p>	<p>CHROME-RH OUT</p>  <p>7 → 1717317</p>	 <p>8 → 1781435</p>
 <p>9 → 1781440</p>	 <p>10 → 1781448</p>	<p>1.25" WIDE</p>  <p>11 → 891200</p>	 <p>12 → 1194521</p>
 <p>13 → 1760140</p>			



**RIVERVIEW HARDWARE**

1	1781445	CATCH, PAWL 2"DEEP OFFSET SHORT SS
2	1783661	CATCH, PAWL 2"STRAIGHT LONG SS
3	1740418	CATCH, RBR SUNPAD HOLD-DOWN W/OCTAGON PLUNGER
4	776567	CATCH, ROUND PLAS 13/16" "DUAL LOCK" (3M)
5	1833695	LATCH, COMPRESSION 2" LOCKING SS
6	1781437	LATCH, COMPRESSION 2" W/LOCKING SS
7	1717317	LATCH, OFFSHR MORTISE RH-OUT PRVKNB CHR
	1754071	PLATE, MOBELLA SHIM CHR/BRS <b>(PART OF LATCH 1717317)</b>
	1784623	PLATE, STRIKER OFFSHR MORTISE (FOR 1717317) <b>(PART OF LATCH 1717317)</b>
8	1781435	PLATE, CUP BRKT 2"LONG SCREW W/HDWR PKG
9	1781440	PLATE, DEEP BRKT 2"W/HDWR PKG SS
10	1781448	PLATE, SHALLOW BRKT 2.5"W/HDWR PKG SS
11	891200	PLATE, STRIKER MOBELLA 1.25"WIDE
12	1194521	SHIM, HDPE 1/4"X 1/2"X 1.75" ARW
13	1760140	SHIM, PVC LADDER HATCH CATCH 1/2" WHT

BILGE



**BILGE**

- 1 124016 HOSE, VENT/BLOWER 4" EX HVY DTY  
2 1239458 HOLDER, BATTERY GR27/31 BLK NYLON W/SS  
130849 BOOT, BATTERY CABLE RED  
130856 BOOT, BATTERY CABLE BLK  
140509 BOOT, ENG STARTER RED  
(BOW THRUSTER)  
(C E OPTION GROUP)  
1574912 CABLE, BATT SET 270SD-02 W/DUAL BATT KIT  
1258979 BOOT, BATTERY CABLE 105C "T" BLK 4/0  
3 1726840 SWITCH, BATTERY SEL W/O LOCK W/O DISC REV 1  
1726841 SWITCH, BATTERY ON/OFF N/LCK N/DISC RV1  
(BOW THRUSTER)  
(C E OPTION GROUP)  
4 1771040 TANK, FUEL 270SD-03 85GAL PLS W/SS SNDR W/CON  
1787021 SENDING UNIT, WEMA 18" SS W/SCRW & GASKET  
(PART OF TANK 1771040)  
1221217 ELBOW, FUEL P/U FOR TANK ASSY  
(PART OF TANK 1771040)  
1593078 ADAPTER, ALUM 3/8" BARB X 1/4" MPT  
(PART OF TANK 1771040)  
5 716159 VENT, PLAS GRILL 4" BLK  
6 1794015 SWITCH, FLOAT ATTWOOD W/CVR W/CONN  
(HULL#1009->UP)  
1771033 SWITCH, FLOAT RULE W/CVR W/CONN  
(HULL#1001->1008)  
7 1778931 THRU-HULL, SS 1 1/8" BARB SHORT W/RBR GASKET  
8 123901 HOSE, CORR BILGE 1 1/8" BLK  
256685 CLAMP, HOSE #16 3/4"-1.5" SS .505  
9 1771004 PUMP, BILGE 1100GPH W/IMPLLR HOUSG VNS W/CONN  
10 1771025 FIRE EXT SYS, FM200 150CFGAS/DSL-MAN/AUTW/CON  
(C E FIRE SYSTEM - EUROPEAN DEALERS ONLY)  
(FM-200 OPT. FIRE SUPPRESSION SYS-CAN.& AUS.)  
598151 HALON CABLE, MANUAL PULL CABLE 17'  
(FIRE SUPPRESSION SYSTEM - AUTOMATIC)  
(C E FIRE SYSTEM - EUROPEAN DEALERS ONLY)  
(FM-200 OPT. FIRE SUPPRESSION SYS-CAN.& AUS.)  
11 1794013 BLOWER, BILGE 4" ATTWOOD W/CONN  
(HULL#1062->UP)  
1771006 BLOWER, BILGE 4" #240MQ W/CONN  
(HULL#1001->1061)  
12 1727450 ACC PART, MERC S-CRFT TRNS W/10" NYL DEP/TEMP  
13 1835713 HOLDER, BATT CHARGER PLUG  
(ON BOARD BATTERY CHARGER 120V/60 TO 12V)  
(ON BOARD BATTERY CHARGER - 220V/50 TO 12V)  
14 1835711 CHARGER, BATT 12A 120VAC 2-BANK PRO SPRT  
(ON BOARD BATTERY CHARGER 120V/60 TO 12V)  
1835712 CHARGER, BATT 10A 2-BANK PRO TOUR  
(ON BOARD BATTERY CHARGER - 220V/50 TO 12V)

**CORSA THRU-HULL EXHAUST SYSTEM**

- 124107 HOSE, EXHAUST 4" SW  
256743 CLAMP, HOSE #72 3 1/8"-5" SS .505  
723742 COVER, CLAMP END PROT. .045" X.465-1/2" RED  
648097 BODY, ROCK SW SPST BLK 12V INCAND  
1579879 ACTUATOR, ROCKER BLK W/BLUE LENS T/H EXH  
1757312 SWITCH, TOGGLE CHR W/BLU IND SPST  
1737371 WASHER, LOCK INT TOOTH NCKL PLATED  
(PART OF SWITCH 1757312)  
1787018 NUT, NICKEL FOR TOGGLE SWITCH  
1848890 MUFFLER, 5.0/5.7/6.2 SIDE EXIT EXH '05 BLK  
1848889 MUFFLER, CORSA W/SID TPS 270SD 496 6" RSR BLK  
(496 DTS MAG BR3 W/CORSA THRU HULL EXHAUST SYS)

**ELECTRICAL**

- 1185081 BRKR, SURF MNT THERMAL 50AMP MANUAL RESET  
731026 FUSE, BLADE TYPE CLOSED 20A  
1486497 ACC PART, VOLVO BOOT PROTECTIVE SLEEVE  
263954 CLAMP, HOSE #10 1/2"-1 1/8" SS .505  
417675 CLAMP, HOSE #20 3/4"-1.75" SS .505  
1501782 HOSE, CONDUIT/SPLIT 1/2" FLAME RETARDANT

**EXHAUST**

- 1583046 ACC PART, MERC EXHAUST INT ELBOW KIT  
(496 MAG BR 3 (375 PHP) MCM STERN DRIVE)  
(496 MAG HO BR 3 (425 PHP) MCM STERN DRIVES)  
(496 DTS MAG BR3 (375 PHP) MCM STERN DRIVE)  
(496 DTS MAG HO BR3 (425PHP) MCM STERN DRIVE)  
1583384 ACC PART, MERC EXHAUST PIPE (Y PIPE)  
(496 MAG BR 3 (375 PHP) MCM STERN DRIVE)  
(496 MAG HO BR 3 (425 PHP) MCM STERN DRIVES)  
(496 DTS MAG BR3 (375 PHP) MCM STERN DRIVE)  
(496 DTS MAG HO BR3 (425PHP) MCM STERN DRIVE)  
1610500 ACC PART, MERC S-CRFT WTHR CAP 3POS CAP  
(MX 6.2L MPI BR 3 (320 PHP) MCM STERN DRIVE)

**EXHAUST (continued)**

(496 MAG BR 3 (375 PHP) MCM STERN DRIVE)  
(496 MAG HO BR 3 (425 PHP) MCM STERN DRIVE)

**HARNESSES**

- 1802105 HARNESS, ENG MERC S-CRFT 14 PIN 20'  
(HULL#1072->UP)  
1839411 HARNESS, ENG MERC S-CRFT ADAPTR 10 PIN-14 PIN  
(HULL#1001->1071)

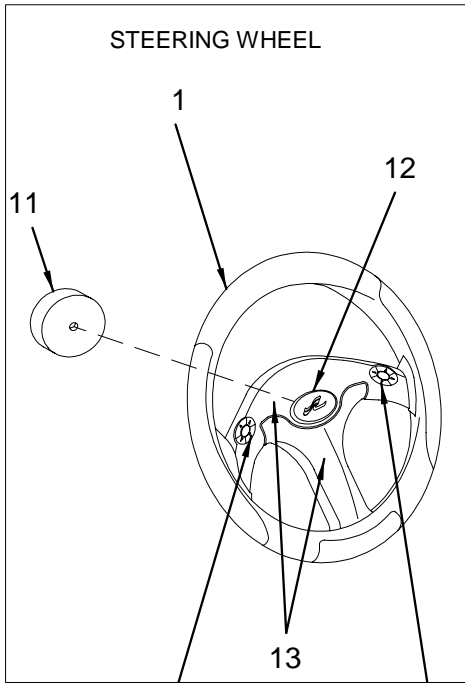
**LABELS**

- 1744737 LABEL, DISCHARGE OF OIL (LEXAN)  
1746901 LABEL, CAUTION BATTERY SWITCH OFF/ALT DAMAGED  
1745514 LABEL, PREVENT DISCHARGE OF POLLUTANTS  
(C E OPTION GROUP)

**NOT SHOWN**

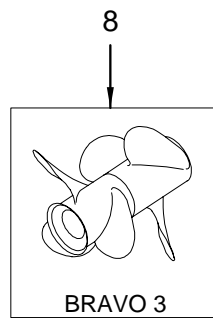
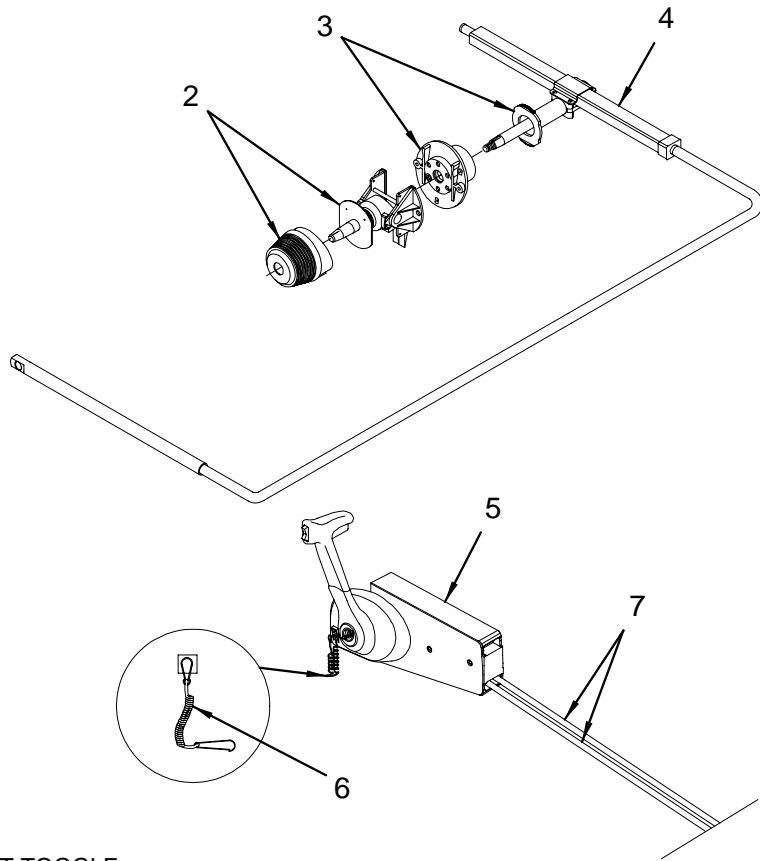
- 1126747 TIE, CABLE 8.5" SCREW MNT BLK SS BARB  
1506732 TIE, CABLE 8.5" W/3/4" SCREW/PLAS WASHER  
1593094 FOAM, P/C 270SD-02 CONV BILGE 2-PC SET  
1597962 FOAM, P/C 270SD-02 CONV BILGE MTRBX TOP  
(PART OF FOAM SET 1593094)  
1598010 FOAM, P/C 270SD-02 CONV BILGE MTRBX SKIRT  
(PART OF FOAM SET 1593094)  
1597046 FOAM, P/C 270SD-02 CONV BILGE CE OPT 2-PC SET  
(C E OPTION GROUP)  
1212729 TIE, CABLE 14" BLK W/SS BARB  
1742987 ADAPTER, PVC 1" MPT X 1 1/8" BARB

**STEERING SYSTEM**

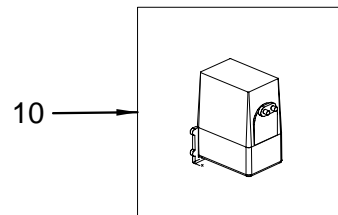
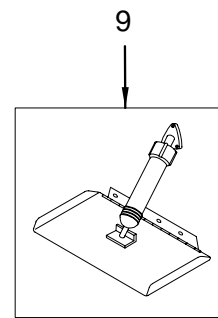


STEREO REMOTE SWITCH  
(SWITCH CANNOT BE ORDERED SEPARATE)  
ORDER 1773980 FOR BEZEL AND SWITCHES

SMARTCRAFT TOGGLE & FUNCTION SWITCH  
(SWITCH CANNOT BE ORDERED SEPARATE)  
ORDER 1773980 FOR BEZEL AND SWITCHES



**BRAVO 3**



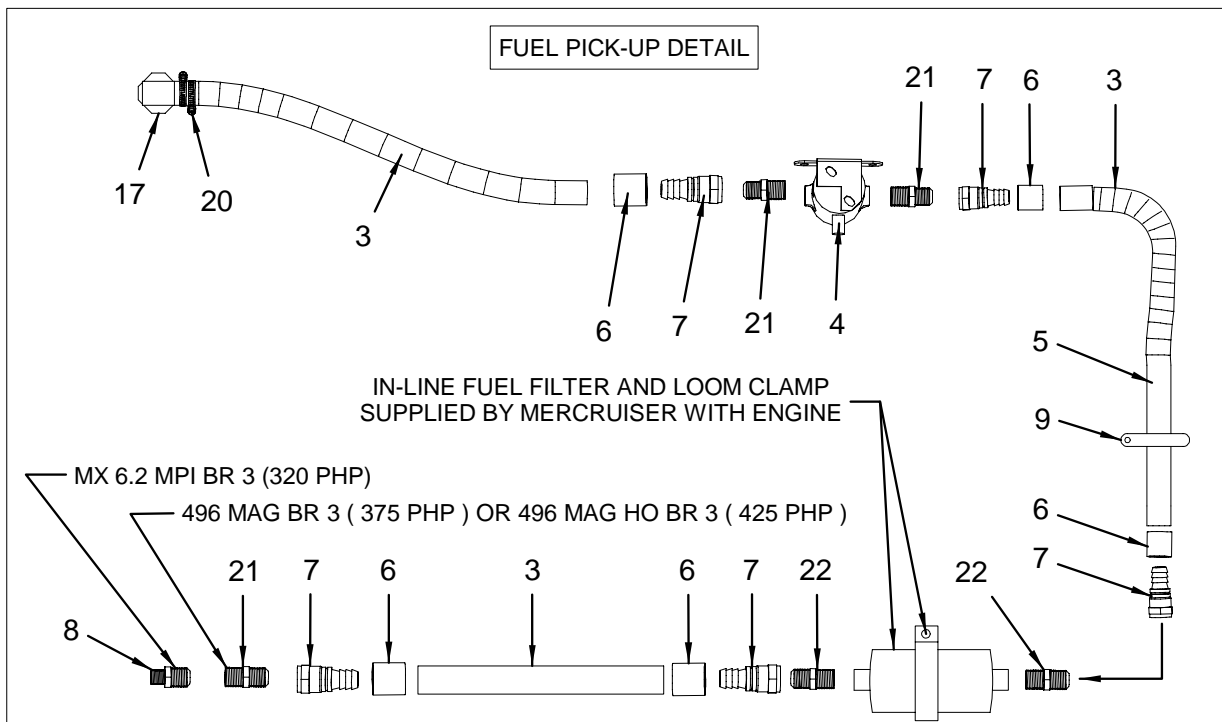
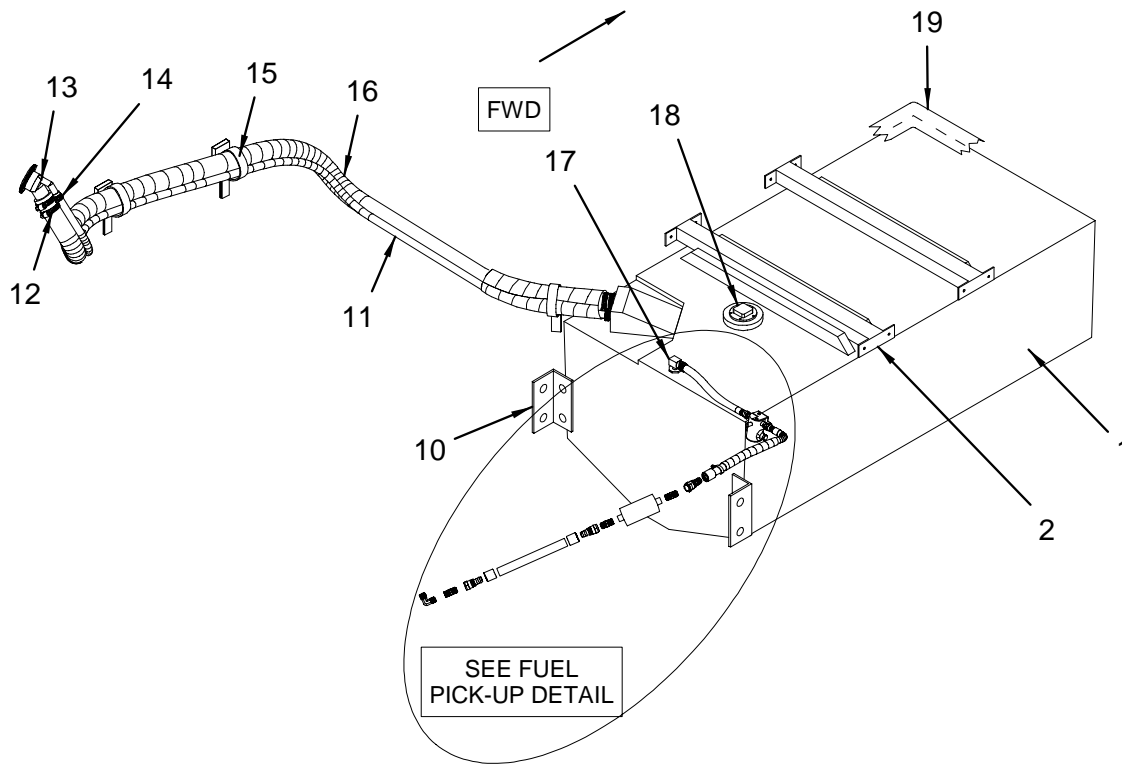
## STEERING SYSTEM

- 1 1773975 STEERING WHEEL, SPBT INTELIWHEEL METCHRY/BLK
- 1774822 HARNESS, INTELIWHEEL S-CRFT CAN INTERFACE 6'
- 1747682 EMBLEM, S/R EMB SCRIPT WHEEL CHR-BEZEL 1.75"
- 1549666 EMBLEM, S/R WAVE OVAL URET CHR 1.125"X 2.375"
- 2 1777615 STEERING, PERFORMANCE TILT MECHANISM INTLLWHL
- 3 1092246 STEERING, TILT HELM BACK-MNT
- 4 1091867 STEERING, BACK MNT RACK/CABLE 17.0' ASSY
- 5 1754392 CONTROL, SIDE MNT LOCKBAR 4000 GEN II I/O
- 6 778928 LANYARD, COILED STOP SWITCH  
(PART OF CONTROL 1754392)
- 7 1759686 CABLE, CNTRL MERC GEN II PLAT 15'  
(HULL#1049->UP)(SHIFT & THROTTLE - MX 6.2 MPI BR 3)  
(SHIFT ONLY-496 MAG BR)
- 1753101 CABLE, CONTROL MERC GEN II PLAT 16'  
(HULL#1058->UP)(THROTTLE ONLY - 496 MAG BR3 & 496 MAG  
HO BR3)
- 1757747 CABLE, CONTROL MERC GEN II STD 16 LAY 15'BULK  
(HULL#1001->1048)(SHIFT & THROTTLE - MX 6.2 MPI BR 3)  
(SHIFT ONLY-496 MAG BR)
- 1757749 CABLE, CONTROL MERC GEN II STD 16 LAY 16'BULK  
(HULL#1001->1057)(THROTTLE ONLY - 496 MAG BR3 & 496  
MAG HO BR3)
- 1883389 BOARD, DTS SGL ENG HELM COMP  
(496 DTS MAG BR3 (375 PHP) MCM STERN DRIVE)  
(496 DTS MAG HO BR3 (425PHP) MCM STERN DRIVE)
- 1507326 ACC PART, MERC S-CRFT JUNC BOX 4-WAY
- 1726995 ACC PART, MERC ALARM BUZZER W/HARNESS  
(PART OF 1883389)
- 1812224 ACC PART, MERC DTS CMND MODULE  
(PART OF 1883389)
- 8 1360239 PROP, 15.75"X 22" CUP BR3 LH  
(MX 6.2L MPI BR 3 (320 PHP) MCM STERN DRIVE)  
(496 MAG BR 3 ( 375 PHP ) MCM STERN DRIVE)  
(496 MAG HO BR 3 ( 425 PHP ) MCM STERN DRIVE)  
(496 DTS MAG BR3 ( 375 PHP ) MCM STERN DRIVE)  
(496 DTS MAG HO BR3 (425PHP) MCM STERN DRIVE)
- 1360247 PROP, 14.25"X 22" CUP BR3 RH  
(MX 6.2L MPI BR 3 (320 PHP) MCM STERN DRIVE)  
(496 MAG BR 3 ( 375 PHP ) MCM STERN DRIVE)  
(496 MAG HO BR 3 ( 425 PHP ) MCM STERN DRIVE)  
(496 DTS MAG BR3 ( 375 PHP ) MCM STERN DRIVE)  
(496 DTS MAG HO BR3 (425PHP) MCM STERN DRIVE)
- 1623065 PROP, 15.25"X 26" SS BR3 LH CUPPED  
(26" BRAVO 3 SET)
- 1623073 PROP, 14"X 26" SS BR3 RH CUPPED  
(26" BRAVO 3 SET)
- 708198 PROP, 15.5"X 24" SS BR3 LH  
(24" BRAVO 3 SET (2 COUNTER ROTATING PROPS))
- 708206 PROP, 14.25"X 24" SS BR3 RH  
(24" BRAVO 3 SET (2 COUNTER ROTATING PROPS))
- 9 1635325 TRIM TAB, ASSY 12X12 SGL PARA W/SA2123A ACT'R
- 10 268508 TRIM TAB, HYD PUMP KIT W/3"NIPPLE
- 11 1773984 STEERING, CLOCKSFRING INTELIWHL ASSY PLAS BLK
- 12 1786903 EMBLEM, S/R WAVE OVAL CHR W/BZL(INTELIWHEEL)
- 13 1773980 STEERING, BEZEL INTELIWHEEL MET CHRY/BLK

## NOT SHOWN

- 123604 CLAMP, LOOM VINYL DIP 2.5"

FUEL SYSTEM



**FUEL SYSTEM**

- 1 1771040 TANK, FUEL 270SD-03 85GAL PLS W/SS SNDR W/CON
- 2 1278894 BRACKET, FUEL TANK 27.5" 240SD-00
- 1497452 TAPE, FOAM NEOPRENE W/3M 9828 3/8"TH X 2"W
- 3 1884012 HOSE, FUEL 1/2" TYPE A CLASS 1-15 ISO/CE/CARB  
(HULL#1066->UP)
- 123786 HOSE, FUEL 1/2" TYPE A CLASS 1 ISO/CE  
(HULL#1001->1065)
- 4 1791155 VALVE, BRASS FUEL SHUT-OFF 12V SER7000 10W
- 5 1501824 HOSE, CONDUIT/SPLIT 3/4" FLAME RETARDANT
- 6 1887695 FERRULE, FUEL LINE 1/2" .850"ID X .90"OD  
(HULL#1066->UP)
- 170621 FERRULE, FUEL LINE 1/2"ISO/CE .925"ID  
(HULL#1001->1065)
- 7 1887748 FITTING, BRASS BARB/NUT 1/2" FEMALE SAE  
(HULL#1066->UP)
- 170605 FITTING, BRASS 1/2"BARB/NUT  
(HULL#1001->1065)
- 8 169920 ADAPTER, BRASS 1/4"MPT X 1/2"SAE
- 9 123661 CLAMP, LOOM VINYL DIP 1"
- 10 991612 ANGLE, PVC 2"X 2"X 1/4"X 10' WHT
- 11 123778 HOSE, FUEL 5/8" TYPE A CLASS 1 ISO/CE
- 12 256693 CLAMP, HOSE #24 1"-2" SS .505
- 13 1109354 DECK PLATE, GAS CHR W/VENT 45DG NCK RED CODE
- 1098615 DECK PLATE, GAS CHR W/VENT (SHIM ONLY)
- 1213867 DECK PLATE, CAP W/CHAIN GAS (FOR #1109354)
- 1068592 KEY, DECK PLATE CAP
- 14 256677 CLAMP, HOSE #12 1/2"-1.25" SS .505
- 15 123604 CLAMP, LOOM VINYL DIP 2.5"
- 16 123745 HOSE, FUEL 1.5" TYPE A CLASS 2
- 1501857 HOSE, CONDUIT/SPLIT 1.5" FLAME RETARDANT
- 17 1221217 ELBOW, FUEL P/U FOR TANK ASSY  
(PART OF FUEL TANK 1771040)
- 1593078 ADAPTER, ALUM 3/8"BARB X 1/4"MPT  
(PART OF FUEL TANK 1771040)
- 18 1787021 SENDING UNIT, WEMA 18" SS W/SCRW & GASKET  
(PART OF FUEL TANK 1771040)
- 19 468934 TAPE, VAC PAK WHT (4"X 36YDS) PRESERVATION
- 20 123398 CLAMP, HOSE #06M 5/16"-7/8" SS MINI
- 21 140483 ADAPTER, BRASS 1/4"MPT X 3/8"SAE
- 22 169623 ADAPTER, BRASS 3/8"MPT X 1/2"SAE

**ELECTRICAL**

- 1789965 HARNESS, MERCURY FUEL ADAPTER 6 PIN TO 3
- 1839412 HARNESS, FUEL ADAPTER 3 PIN TO NW 6 PIN

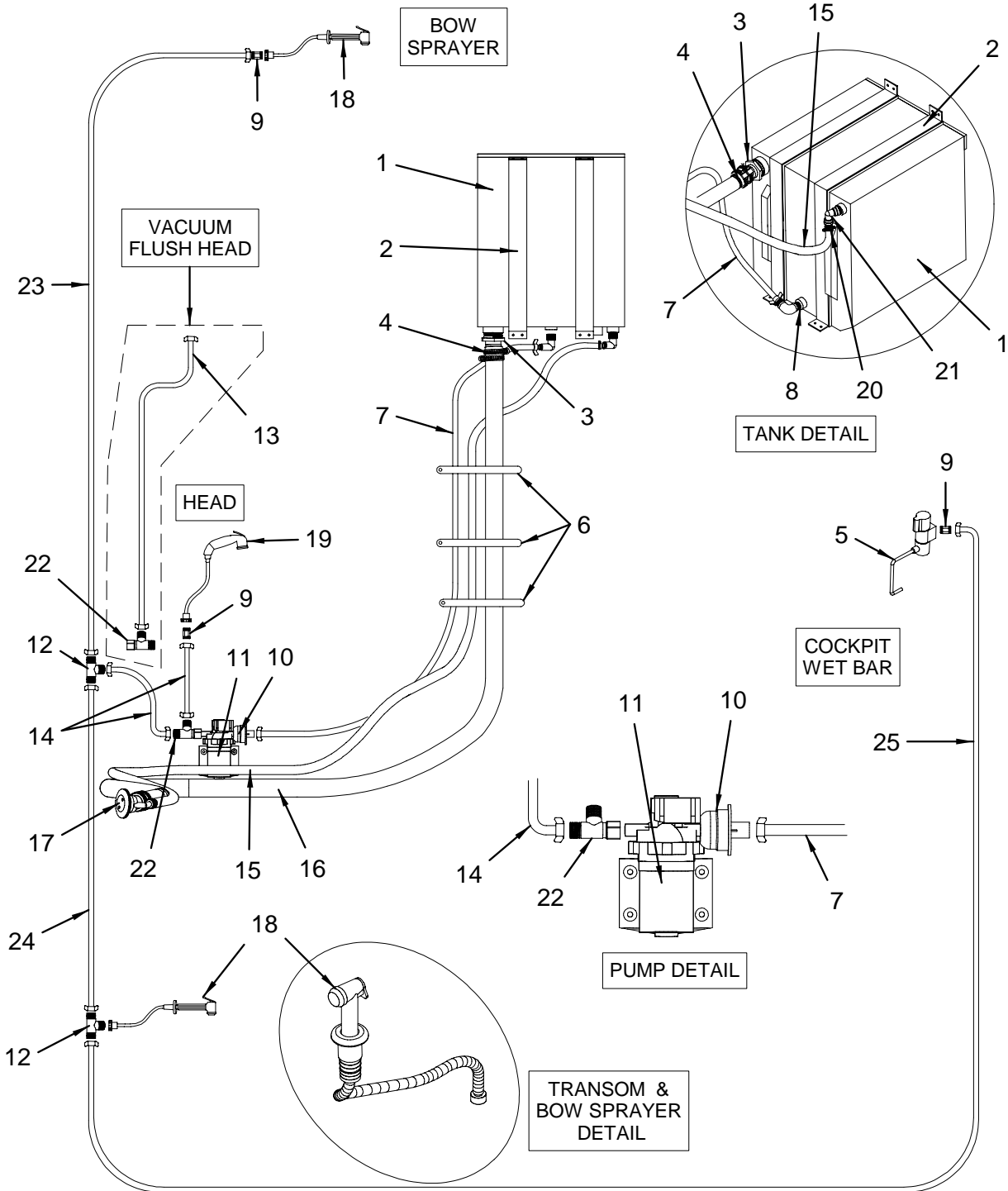
**LABELS**

- 1745157 LABEL, FUEL RECOMMENDATION
- 1745513 LABEL, WARNING LEAKING FUEL

**NOT SHOWN**

- 723759 COVER, CLAMP END PROT .035"X.300-1/2"RED
- 169748 ELBOW, BRASS 90DEG 1/2"SAE X 3/8"MPT

WATER SYSTEM



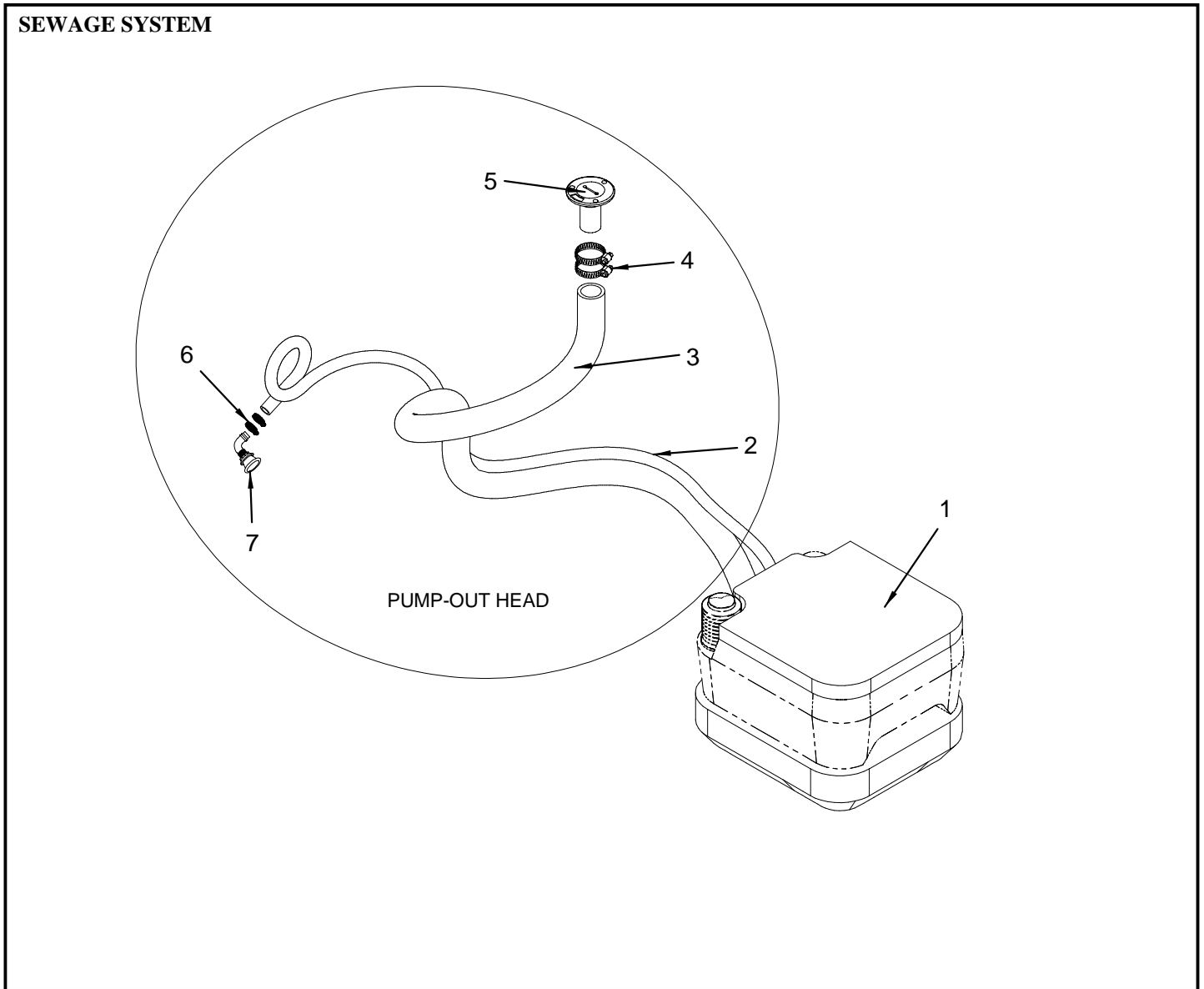


**WATER SYSTEM**

- 1 1575380 TANK, WATER 270SD-02 24GAL
- 2 1591544 STRAP, WATER TANK 270SD-02 ALUM
- 1497452 TAPE, FOAM NEOPRENE W/3M 9828 3/8"TH X 2"W
- 3 814814 ADAPTER, PVC 1.5"MPT X 1.5"BARB MACHINED
- 4 256693 CLAMP, HOSE #24 1"-2" SS .505
- 5 1775010 FAUCET, FOLD DOWN SGL TAP CHR
- 6 123604 CLAMP, LOOM VINYL DIP 2.5"
- 7 1689303 HOSE, UNIFLEX BLUE 1/2" SW/FPT PLAS 6'
- 8 1689325 ELBOW, UNIFLEX PLAS 1/2"MPT
- 9 1689293 NIPPLE, UNIFLEX PLAS 1/2" UNION
- 10 1797944 FILTER, IN-LINE WATER 1/2"MPSM X 1/2"NPSF
- 11 1771071 PUMP, FRESH WTR SHURFLO 2.8GPM SFT MNT W/CONN
- 12 1689292 TEE, UNIFLEX PLAS 1/2" MPT
- 13 1689304 HOSE, UNIFLEX BLUE 1/2" SW/FPT PLAS 8'  
**(VACUUM FLUSH HEAD W/HOLDING TANK)**
- 14 1689301 HOSE, UNIFLEX BLUE 1/2" SW/FPT PLAS 2'
- 15 124719 HOSE, SANI/CHEMICAL TDX 5/8"
- 16 123844 HOSE, SANI/SMOOTH WALL 1.5"
- 17 1109362 DECK PLATE, WATER CHR W/VNT 45DG NCK BLUE  
1405844 DECK PLATE, CAP W/CHAIN WATER  
**(PART OF WATER PLATE 1109362)**
- 1068592 KEY, DECK PLATE CAP
- 18 1775029 SHOWER, SPRAY BLK NOZZLE W/8' VINYL HOSE  
1795431 THRU-HULL, CHR PLTD BRASS SPRAY HLDR  
**(PART OF SHOWER SPRAY 1775029)**
- 19 1689704 SHOWER, SPRAY NOZZLE ANGLE BASE W/6'SS HOSE  
1764405 SHOWER, BLK HANDLE FAUCET SPRAYER NOZZLE  
**(PART OF SHOWER SPRAY 1689704)**
- 20 256677 CLAMP, HOSE #12 1/2"-1.25" SS .505
- 21 167874 ELBOW, GENOVA 1/2"MPT X 1/2"BARB X 90DEG  
411132 ELBOW, PVC 1/2"MPT X 1/2"BARB X 90DEG
- 22 1689322 TEE, UNIFLEX PLAS 1/2"SW/FM 1/2"MPT/MPT STACK
- 23 1689333 HOSE, UNIFLEX BLUE 1/2" SW/FPT PLAS 11'
- 24 1774661 HOSE, UNIFLEX BLUE 1/2" SW/FPT/ELBOW PLAS 11'
- 25 1689336 HOSE, UNIFLEX BLUE 1/2" SW/FPT PLAS 20'

**NOT SHOWN**

- 1590009 ADAPTER, SEAFLEX BRS 1/2"FPT X 1/2"MPT EXTND
- 1689300 HOSE, UNIFLEX BLUE 1/2" SW/FPT PLAS 1'



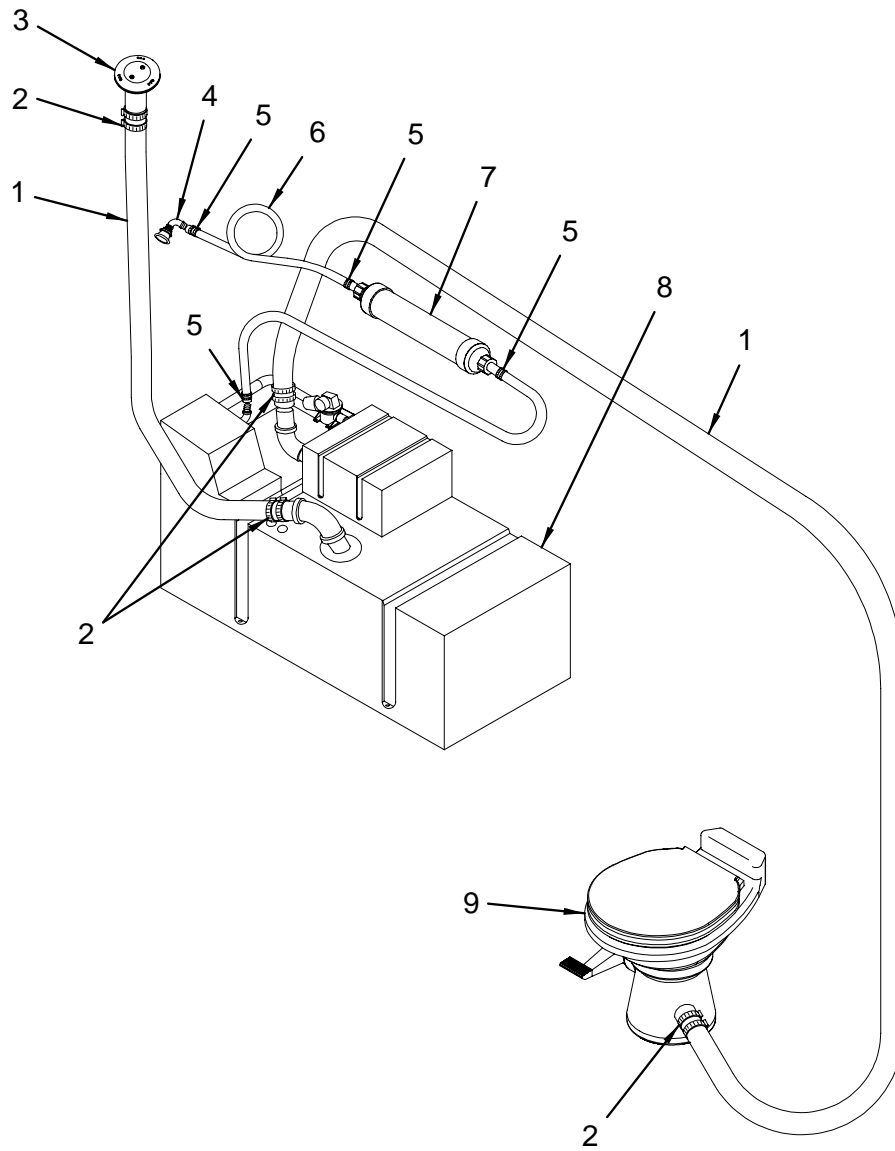
**SEWAGE SYSTEM**

- 1 595512 HEAD, PORTABLE MSD SANI POTTI PARCHMENT 5.2GL  
(STANDARD OR PUMP-OUT HEAD)
- 1783917 SEAT ASSY, CVR/SEAT/HNG PIN PRCHMNT  
(PART OF HEAD 595512)
- (STANDARD OR PUMP-OUT HEAD)
- 2 124719 HOSE, SANI/CHEMICAL TDX 5/8"  
(PUMP-OUT HEAD)
- 3 123844 HOSE, SANI/SMOOTH WALL 1.5"  
(PUMP-OUT HEAD)
- 4 256693 CLAMP, HOSE #24 1"-2" SS .505  
(PUMP-OUT HEAD)
- 5 1355585 DECK PLATE, WASTE CHR STRAIGHT NCK BLK CODE  
(PUMP-OUT HEAD)
- 1474790 DECK PLATE, CAP W/GASKET  
(PART OF WASTE PLATE 1355585)
- (PUMP-OUT HEAD)
- 1068592 KEY, DECK PLATE CAP  
(PUMP-OUT HEAD)
- 6 256677 CLAMP, HOSE #12 1/2"-1.25" SS .505  
(PUMP-OUT HEAD)
- 7 1433176 VENT, FUEL/WATER SS 5/8" 90DEG FLSH MNT

**NOT SHOWN**

- 1413616 TANK, HOLDING NEW OWNERS GIFT PACK

SEWAGE SYSTEM (VACUUM FLUSH HEAD W/HOLDING TANK)



**SEWAGE SYSTEM (VACUUM FLUSH HEAD  
W/HOLDING TANK)**

- 1 846899 HOSE, SANI 1.5" PREMIUM RBR BLK
- 2 256693 CLAMP, HOSE #24 1"-2" SS .505
- 723742 COVER, CLAMP END PROT .045"X.465-1/2"RED
- 3 1355585 DECK PLATE, WASTE CHR STRAIGHT NCK BLK CODE
- 1474790 DECK PLATE, CAP W/GASKET  
(PART OF WASTE PLATE 1355585)
- 1068592 KEY, DECK PLATE CAP
- 4 1433176 VENT, FUEL/WATER SS 5/8" 90DEG FLSH MNT
- 5 263954 CLAMP, HOSE #10 1/2"-1 1/8" SS .505
- 723742 COVER, CLAMP END PROT .045"X.465-1/2"RED
- 6 124719 HOSE, SANI/CHEMICAL TDX 5/8"
- 7 134759 FILTER, HEAD TREATMENT SYSTEM
- 8 1760724 TANK, HLDNG 10GAL SHTDWN RELAY/ST'G INLET VAC
- 9 1745172 HEAD, VACU-FLUSH BONE 148 (ECOVAC) LO-PRO WOD
- 1802493 SEAT ASSY, CVR/SEAT/HNG PIN BONE  
(PART OF HEAD 1745172)

**ELECTRICAL**

- 1188945 PANEL, 260DA-99 WASTE SYS CNTRL
- 557785 SWITCH, IGN STARTER
- 1729450 KEY, SIERRA PK501A
- 1778652 KEY, SIERRA PK521J
- 1778656 KEY, SIERRA PK576K
- 1778657 KEY, SIERRA PK611M
- 1778658 KEY, SIERRA PK628H
- 1778659 KEY, SIERRA PK631N
- 1778660 KEY, SIERRA PK665P
- 1778661 KEY, SIERRA PK673F
- 533109 BRKR, P/BTN-MANUAL RESET 10A
- 893800 PANEL, WASTE LEVEL INDICATOR 12V
- 1778205 HARNESS, 270SD-05 WASTE SYS

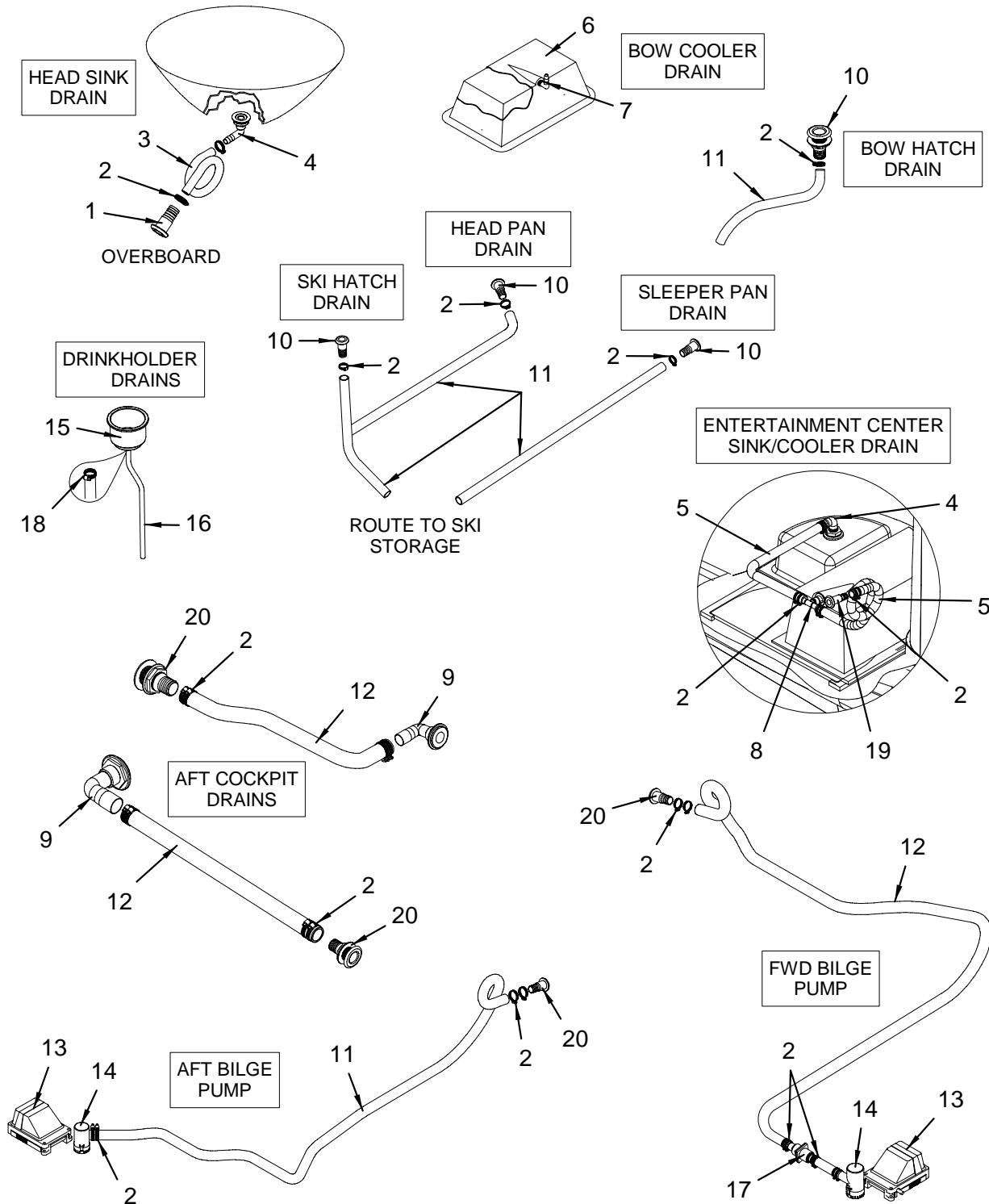
**HEAD WATER SUPPLY**

- 1689304 HOSE, UNIFLEX BLUE 1/2" SW/FPT PLAS 8'
- 1689322 TEE, UNIFLEX PLAS 1/2"SW/FM 1/2"MPT/MPT STACK

**NOT SHOWN**

- 1126754 TIE, CABLE 15.5" SCREW MNT BLK SS BARB

**DRAINAGE SYSTEM**



**DRAINAGE SYSTEM**

- 1 1778933 THRU-HULL, SS 5/8" BARB SHORT W/RBR GASKET
- 2 256685 CLAMP, HOSE #16 3/4"-1.5" SS .505
- 3 123885 HOSE, CORR BILGE 3/4" BLK
- 4 583427 DRAIN, W/PLUG 100DEG 3/4" BARB CHR
- 1734472 DRAIN ASSY, STOPPER #4202 MED BLK  
(PART OF DRAIN 583427)
- 5 857706 HOSE, CORR VAC 5/8" PVC BILGE GREY
- 6 1036573 COOLER, 20"X 11"X 10" FOAMED MOLDED
- 7 167874 ELBOW, GENOVA 1/2"MPT X 1/2" BARB X 90DEG
- 8 845420 TEE, PVC 1/2" BARB X 1/2" BARB X 1/2" MPT
- 9 1392794 THRU-HULL, PLAS 1 1/8" TUBE X 90DEG PRL
- 10 1098417 THRU-HULL, PLAS 1 1/8" PRL
- 11 123901 HOSE, CORR BILGE 1 1/8" BLK
- 12 466664 HOSE, CORR VAC 1" RH
- 13 1794015 SWITCH, FLOAT ATTWOOD W/CVR W/CONN  
(HULL#1009->UP)
- 1771033 SWITCH, FLOAT RULE W/CVR W/CONN  
(HULL#1001->1008)
- 14 1771004 PUMP, BILGE 1100GPH W/IMPLLR HOUSG VNS W/CONN
- 15 1812917 HOLDER, DRINK SS 4"X 3" MUG SZ PLSHD RIM
- 16 124347 HOSE, PVC CLEAR 3/8"
- 17 294488 VALVE, CHECK PLAS W/O SPRING 1" FPT
- 18 123398 CLAMP, HOSE #06M 5/16"-7/8" SS MINI
- 19 1778933 THRU-HULL, SS 5/8" BARB SHORT W/RBR GASKET
- 20 1778931 THRU-HULL, SS 1 1/8" BARB SHORT W/RBR GASKET

**LABELS**

- 1745517 LABEL, 1/2"X 1.5" DISCHARGE

**NOT SHOWN**

- 175687 DRAIN, SINK STRAINER 2.5" SS W/5/8" BARB
- 1839033 DRAIN, SINK STRAINER BASKET ONLY  
(PART OF DRAIN 175687)
- 1778928 THRU-HULL, SS 1.5" BARB SHORT W/RBR GASKET  
(C E OPTION GROUP - MANUAL BILGE PUMP DISCHARGE)

**496 MAG DTS BR3 ( 375 PHP ) MCM STERN DRIVE**

1583046	ACC PART, MERC EXHAUST INT ELBOW KIT
1583384	ACC PART, MERC EXHAUST PIPE (Y PIPE)
1690375	ACC PART, S-CRFT PITOT SENSOR
140483	ADAPTER, BRASS 1/4"MPT X 3/8"SAE
1753101	CABLE, CONTROL MERC GEN II PLAT 16'
1757749	CABLE, CONTROL MERC GEN II STD 16 LAY 16'BULK
1812223	CONTROL, DTS PNL MNT KIT-CHROME
1810960	HARNESS, 270SD-06 WIRE W/S-CRFT W/DTS
1812222	HARNESS, ENG MERC DATA 14-PIN DTS 25'
1507292	HARNESS, ENG SYSTEMS TACH/MONITOR
1778016	OUTDRIVE UNIT, MERC BRAVO III 2.0:1 '05
1810165	PANEL, 270SD-06 SW METCHRY W/DTS
1849138	S/D, MERC 375HP 496MAG BR3 DTS 6.0" 14PIN

**496 MAG HO DTS BR3 (425PHP) MCM STERN DRIVE**

1583046	ACC PART, MERC EXHAUST INT ELBOW KIT
1583384	ACC PART, MERC EXHAUST PIPE (Y PIPE)
1690375	ACC PART, S-CRFT PITOT SENSOR
140483	ADAPTER, BRASS 1/4"MPT X 3/8"SAE
1753101	CABLE, CONTROL MERC GEN II PLAT 16'
1757749	CABLE, CONTROL MERC GEN II STD 16 LAY 16'BULK
1812223	CONTROL, DTS PNL MNT KIT-CHROME
1810960	HARNESS, 270SD-06 WIRE W/S-CRFT W/DTS
1812222	HARNESS, ENG MERC DATA 14-PIN DTS 25'
1507292	HARNESS, ENG SYSTEMS TACH/MONITOR
1778006	OUTDRIVE UNIT, MERC BRAVO 3X 2.00:1 '05
1810165	PANEL, 270SD-06 SW METCHRY W/DTS
1849137	S/D, MERC 425HP 496MAG HO BR3 DTS 6.0" 14PIN

**MX 6.2L MPI BR 3 (320 PHP) MCM STERN DRIVE**

1778015	OUTDRIVE UNIT, MERC BRAVO III 2.20:1 '05
1837989	S/D, MERC 320HP 6.2MPI BR 4.7"14P

**ON BOARD BATTERY CHARGER 120V/60 TO 12V**

1835711	CHARGER, BATT 12A 120VAC 2-BANK PRO SPRT
1835713	HOLDER, BATT CHARGER PLUG

**ON BOARD BATTERY CHARGER - 220V/50 TO 12V**

1835712	CHARGER, BATT 10A 2-BANK PRO TOUR
1835713	HOLDER, BATT CHARGER PLUG

**FLAG POLE & BASE, U.S. FLAG**

706747	CLIP, FLAG
1854249	CLIP, FLAG KEY RNG 302SS
1838426	FLAG, USA 16" X 24"
1848879	HOLDER, FLUSH MOUNT MAGNETIC STERN FLAG POLE
1838431	POLE, FLAGSTAFF SS MAGNETIC SPRTBT/SPRTCRSR

**AUSTRALIAN BUILDERS PLATE**

1850613	PLATE, BUILDERS AU 06-270SD
---------	-----------------------------

**2ND STEREO REMOTE CONTROL -TRANSOM**

935080	CABLE, CLARION DUAL REMOTE "Y"
1312750	CABLE, CLARION REMOTE EXTENSION CABLE 24'
1803477	STEREO, REMOTE CNTRL N/DSPL BLK FACE/SS BZL

**PREMIER STEREO UPGRADE**

935080	CABLE, CLARION DUAL REMOTE "Y"
1312750	CABLE, CLARION REMOTE EXTENSION CABLE 24'
1750879	CABLE, RCA AUDIO "Y" (1-FM/ 2-M) W/NOISE SUPP
1750878	CABLE, RCA AUDIO 20' W/EFX-2 CONN W/NOISE SUP
1739402	FUSE, BLADE TYPE CLOSED 40A
1780550	LABEL, STEREO AMPLIFIER 40AMP
1755999	SPEAKER, 10" SUBWOOFER ACOM W/WHT CVR
1807866	STEREO, AMP PANASONIC 400W 4CHNL
1803477	STEREO, REMOTE CNTRL N/DSPL BLK FACE/SS BZL

**DOCKING LIGHTS**

1791005	LIGHT, DOCKING SS 12V/50W W/ CONN
1757312	SWITCH, TOGGLE CHR W/BLU IND SPST

**ZZ UNREFERENCED ACCESSORY GROUP ITEMS**

1810917	CRADLE, STRG 12' 240-270 MODELS
---------	---------------------------------

**MIRROR, SKI TOW**

1846769	MIRROR, SKI SS W/S MOUNT
---------	--------------------------

**24" BRAVO 3 SET (2 COUNTER ROTATING PROPS)**

708206	PROP, 14.25"X 24" SS BR3 RH
708198	PROP, 15.5"X 24" SS BR3 LH

**26" BRAVO 3 SET (2 COUNTER ROTATING PROPS)**

1623073	PROP, 14"X 26" SS BR3 RH CUPPED
1623065	PROP, 15.25"X 26" SS BR3 LH CUPPED

**PUMP-OUT HEAD**

256677	CLAMP, HOSE #12 1/2"-1.25" SS .505
256693	CLAMP, HOSE #24 1"-2" SS .505
1592583	COVER, HDPE 270SD-02 HEAD ACCESS
1355585	DECK PLATE, WASTE CHR STRAIGHT NCK BLK CODE
124719	HOSE, SANI/CHEMICAL TDX 5/8"
123844	HOSE, SANI/SMOOTH WALL 1.5"

**VACUUM FLUSH HEAD W/HOLDING TANK**

263954	CLAMP, HOSE #10 1/2"-1 1/8" SS .505
256693	CLAMP, HOSE #24 1"-2" SS .505
723742	COVER, CLAMP END PROT .045"X.465-1/2"RED
1592583	COVER, HDPE 270SD-02 HEAD ACCESS
1355585	DECK PLATE, WASTE CHR STRAIGHT NCK BLK CODE
134759	FILTER, HEAD TREATMENT SYSTEM
1778205	HARNESS, 270SD-05 WASTE SYS
1745172	HEAD, VACU-FLUSH BONE 148 (ECOVAC) LO-PRO WOD
846899	HOSE, SANI 1.5" PREMIUM RBR BLK
124719	HOSE, SANI/CHEMICAL TDX 5/8"
1689304	HOSE, UNIFLEX BLUE 1/2" SW/FPT PLAS 8'
1689293	NIPPLE, UNIFLEX PLAS 1/2" UNION
1188945	PANEL, 260DA-99 WASTE SYS CNTRL
1760724	TANK, HLDNG 10GAL SHTDWN RELAY/ST'G INLET VAC
1689322	TEE, UNIFLEX PLAS 1/2"SW/FM 1/2"MPT/MPT STACK
1126754	TIE, CABLE 15.5" SCREW MNT BLK SS BARB
1433176	VENT, FUEL/WATER SS 5/8" 90DEG FLSH MNT

**BOATER SAFETY KIT**

1848242	KIT, SAFETY PACKAGE-SPCRUIS W/WHT FNDRS/LINE
1848243	KIT, SIGNAL ORION FLARE

**FM-200 OPTIONAL FIRE SUPPRESSION SYS-INT'L**

1771025	FIRE EXT SYS, FM200 150CFGAS/DSL-MAN/AUTW/CON
598151	HALON CABLE, MANUAL PULL CABLE 17'

**TWO TONE GELCOAT**

1799711	GEL COAT, MMHP MIDNIGHT BLUE
---------	------------------------------

**FILLER CUSHIONS**

991612	ANGLE, PVC 2"X 2"X 1/4"X 10' WHT
1599463	FOAM, P/C 270SD-02 BOW FILLER 2-PC SET
103309	MESH, WHITE 60"
1758957	PVC BOARD, 1/2"X 4'X 8' WHT INTEFOAM
180406	SLIDE, DELRIN #5 WHT 1-S LOCK
198945	VELCRO, DUAL LOCK CLR 2"X 50YD W/ADH BACK
1144179	VINYL, SEABROOK D SEA SHELL EXP 1/4" F/B
180182	ZIPPER, #5 DELRIN CONTINUOUS WHT

**BOW THRUSTER**

1258979	BOOT, BATTERY CABLE 105C "T" BLK 4/0
130849	BOOT, BATTERY CABLE RED
140509	BOOT, ENG STARTER RED
1687651	BOW THRUSTER, CABLE SIDE POWER CNTRL EXTEN
1765067	BOW THRUSTER, JOYSTICK (MTRA)12/24V W/ON/OFF
1808795	BOW THRUSTER, SIDE PWR 77LB THRST SEALED GEAR
1592419	BOW THRUSTER, TUNNEL 125X900X4MM W/SM35S ONLY
1574920	CABLE, BATT SET 270SD-02 W/BOW THRSTR KIT
1690154	FITTING, 90 DEG ELBOW OIL SM35S
987446	FUSE BLOCK, BLADE TYPE ANL350/500
1585470	FUSE, ANL250 IGN PROTECTED
1837243	GEL COAT, PEARL AOC
1239458	HOLDER, BATTERY GR27/31 BLK NYLON W/SS
1751061	LABEL, BOW THRUSTER
1758957	PVC BOARD, 1/2"X 4'X 8' WHT INTEFOAM
1726841	SWITCH, BATTERY ON/OFF N/LCK N/DISC RV1

**FIRE SUPPRESSION SYSTEM - AUTOMATIC**

1837239	FIRE EXT SYS, FE241 (SR) 150CF AUTO/MAN W/CON
598151	HALON CABLE, MANUAL PULL CABLE 17'

**COCKPIT COVER W/ TONNEAU COVER**

1759654	CANVAS, 270SD-04 TONNEAU CVR BLK
1807602	CANVAS, 270SD-06 BIM CPC W/SNPS BLK
1092162	CANVAS, STRG BAG 12X38 CLOUDBRST TONNEAU/CKPT

**BIMINI CANVAS PACKAGE**

1759654	CANVAS, 270SD-04 TONNEAU CVR BLK
1783477	CANVAS, 270SD-05 SIDE CURT SET BLK
1783483	CANVAS, 270SD-05 VSR CURT 3PC CLR/BLK
1807606	CANVAS, 270SD-06 AFT CURT BLK
1807604	CANVAS, 270SD-06 CPC N/SNPS BLK
580696	CANVAS, SPACER SIDE CURTAIN 1"
788547	CANVAS, STRG BAG 10X60 LRG GREY 95
1092162	CANVAS, STRG BAG 12X38 CLOUDBRST TONNEAU/CKPT

**TRANSOM TRIM SWITCH**

747261	SWITCH, TILT EXTERNAL MOUNT
--------	-----------------------------

**CD CHANGER, 6 DISC**

1733835	STEREO, CD CHANGER 6-DISC DCZ625 C-NET
---------	--

**INT'L TRAILER - GALV. W/ ROLLERS**

1755986	TRAILER, 270SD/260DA INT'L GALV W/ROLLER
---------	--

**INT'L TRAILER - PAINTED W/ BUNK**

1755983	TRAILER, 270SD/260DA INT'L PAINTED W/BUNK
---------	---

**INT'L TRAILER-PAINTED W/ROLLERS**

1755984	TRAILER, 270SD/260DA INT'L PAINTED W/ROLLER
---------	---

**INT'L TRAILER - GALV. W/ BUNK**

1755985	TRAILER, 270SD/260DA INT'L GALV W/BUNK
---------	--

**C E OPTION GROUP**

140509	BOOT, ENG STARTER RED
256693	CLAMP, HOSE #24 1"-2" SS .505
1597046	FOAM, P/C 270SD-02 CONV BILGE CE OPT 2-PC SET
123844	HOSE, SANI/SMOOTH WALL 1.5"
1745514	LABEL, PREVENT DISCHARGE OF POLLUTANTS
1691479	MANUAL, OWNERS - SEA RAY INT'L 12-LANGUAGE
1580026	PLATE, CE OPT C:12PERSON/1360KG
529016	PUMP, BILGE 16GPM MANUAL TWO POS
801563	PUMP, BILGE MANUAL PICKUP/STRAINER
1726841	SWITCH, BATTERY ON/OFF N/LCK N/DISC RV1
1778928	THRU-HULL, SS 1.5"BARB SHORT W/RBR GASKET

**C E FIRE SYSTEM - EUROPEAN DEALERS ONLY**

1771025	FIRE EXT SYS, FM200 150CFGAS/DSL-MAN/AUTW/CON
598151	HALON CABLE, MANUAL PULL CABLE 17'

**2.2 TO 1 BRAVO 3 HIGH ALTITUDE GEAR RATIO**

1778007	OUTDRIVE UNIT, MERC BRAVO 3X 2.20:1 '05
---------	---

**2.43 TO 1 BRAVO 3 HIGH ALTITUDE GEAR RATIO**

1778005	OUTDRIVE (HI-ALT), MERC BR-III 2.43:1 '05
---------	---

**FORWARD BIMINI TOP & BOOT**

1783657	CANVAS, 270SD-05 CAMP TOP BLK
1783658	CANVAS, 270SD-05 CAMP TOP BOOT BLK

**CORSA THRU-HULL EXHAUST SYSTEM - SINGLE ENG**

1579879	ACTUATOR, ROCKER BLK W/BLEU LENS T/H EXH
648097	BODY, ROCK SW SPST BLK 12V INCAND
256743	CLAMP, HOSE #72 3 1/8"-5" SS .505
723742	COVER, CLAMP END PROT .045"X.465-1/2"RED
124107	HOSE, EXHAUST 4" SW
1848890	MUFFLER, 5.0/5.7/6.2 SIDE EXIT EXH '05 BLK
1757312	SWITCH, TOGGLE CHR W/BLU IND SPST

**VHF RADIO - W/ ANTENNA**

1286921	ANTENNA, 36" GLOMEX SS RA106 N/MNT N/CONN
122853	FITTING, WATER TIGHT OUTLET FOR 5/16" CABLE
730994	FUSE, BLADE TYPE CLOSED 7.5A
115311	MOUNT, RATCHET VHF 4-WAY W/1"-14 MALE THD SS
1807449	RADIO, VHF NRTHSTAR NS100
1794094	SHIM, VHF ANTENNA MOUNTING 270SLX

**CANADIAN CONFORMITY STICKER**

1804046	LABEL, STICKER 270SD CANADIAN CONFORMITY
---------	--

**W.S.TOWER W/INTEGRAL BIMINI/WAKEBOARD RACKS**

1759658	CANVAS, 270SD-04 BIM TOP BOOT AFT W/TWR BLK
1759657	CANVAS, 270SD-04 BIM TOP BOOT FWD W/TWR BLK
1786721	CANVAS, 270SD-05 BIM TOP AFT W/TWR BLK
1783486	CANVAS, 270SD-05 BIM TOP FWD W/TWR BLK
1786804	HARNESS, TOWER 137"
1745125	LABEL, SKI TOW ROPE BACKLASH

**W.S.TOWER W/INTEGRAL BIMINI/WAKEBOARD RACKS****(continued)**

1783635	SUPPORT, SR-05 ALUM WAKEBOARD RACK ANODIZED
1783972	TOWER, 270SD-05 ALUM WTR SPRTS W/STERN LIGHT
126870	VENT, CLAMSHELL ROPE LCKR 1 5/8"X 1.5"
1778078	W/S, 270SD-05 PRT FRNT W/TWR N/SPRTS W/SNPCLK
1778080	W/S, 270SD-05 STB FRNT W/TWR N/SPRTS W/SNPCLK

**INTERNATIONAL IN-SERVICE CHECKLIST**

1880468	CHECK LIST, INT'L DISCLOSURE SPBT/SPCRUSR '06
---------	---

**BOW TABLE**

876979	BASE, LEG/POST SURF MT ALUM
1500552	CLIP, TABLE LEG 60MM TUBE BLK
1623883	POST, TABLE LEG 2.25"X 27.25" ANOD TAPER
1148519	TABLE, T/F CKPT ROUND PRL 99