

**2000 280SS**

**PARTS MANUAL**

**280**

**SUN SPORT®**



Sea Ray® Parts Manual, 2000 280 SUN SPORT MRP # 395947

Sea Ray Boats, 2600 Sea Ray Blvd., Knoxville, TN 37914. For information call 1-800-SRBOATS or fax 1-314-213-7878 (USA and International).

Internet address: <http://www.searay.com>

Note: Not all accessories shown in pictures or described herein are standard equipment or even available as options.

Options and features are subject to change without notice.

Confirm the availability of all accessories and equipment with an authorized Sea Ray® dealer.

# 2000 280 SUN SPORT

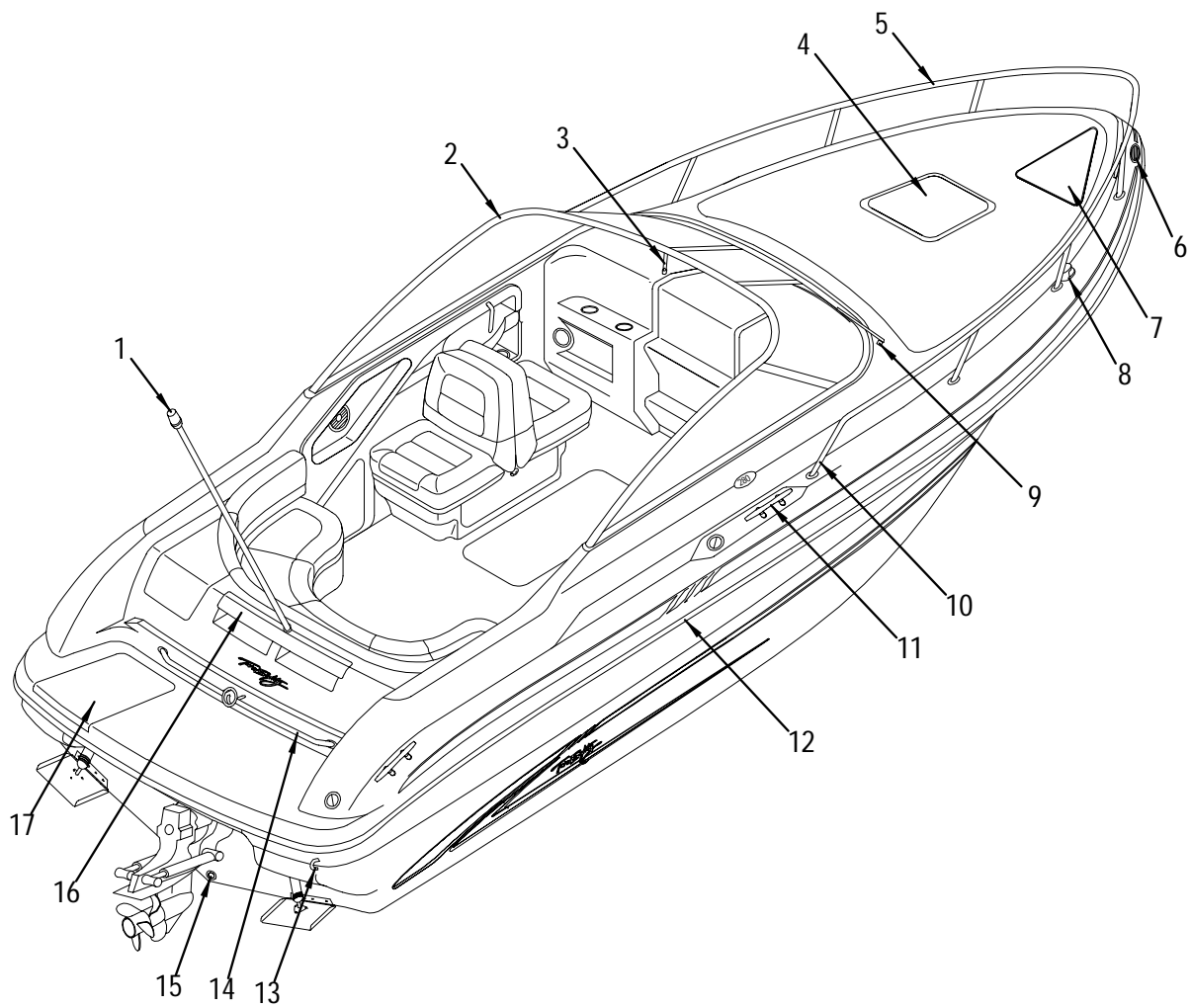
## TABLE OF CONTENTS



<u>STANDARD &amp; OPTIONAL LAYOUTS</u>	<u>PAGE</u>
EXTERIOR.....	1, 2
EXTERIOR GRAPHICS.....	3
COCKPIT (STARBOARD VIEW).....	4, 5
COCKPIT (PORT VIEW).....	6, 7
INTERIOR.....	8, 9
HEAD.....	10, 11
BILGE.....	12
STEERING SYSTEM.....	13, 14
INSTRUMENT / BREAKER PANEL (TWIN ENGINE).....	15
INSTRUMENT / BREAKER PANEL (SINGLE ENGINE).....	16, 17
AC MAIN DISTRIBUTION PANELS (110/60HZ, 220/50HZ).....	18, 19
COCKPIT UPHOLSTERY.....	20, 21
INTERIOR UPHOLSTERY.....	22
CANVAS (BIMINI).....	23, 24
CANVAS (CAMPER PACKAGE, OPTIONAL).....	25, 26
FUEL SYSTEM.....	27, 28
WATER SYSTEM.....	29, 30
HEAD SYSTEM.....	31
DRAINAGE.....	32

<u>OPTIONS - PARTS LIST</u>	<u>PAGE</u>
7.4L MPI BR 3 (310 PHP) MCM STERN DRIVE.....	33
454 MAG MPI BR 3 (385 PHP) MCM STERN DR.....	33
T-5.7L BR 1 (250 PHP) MCM STERN DRIVES.....	33
T-5.7L EFI BR1 (T-260 PHP) MCM STERN DRIVES.....	33
T-350 MAG MPI BR 1 (T-300 PHP) STERN DRIVES.....	33, 34
T-D2.8L D-TRONIC BR1 (150 PHP) STERN DR.DSL.....	34
D 7.3L BR 3 D-TRONIC (270 PHP) DIESEL.....	34
CANVAS PACKAGE - SUNBRELLA.....	34
CAMPER CANVAS PACKAGE.....	34
COCKPIT COVER.....	34
5" REMOTE CONTROLLED SPOTLIGHT.....	34
MACERATOR.....	34
STORAGE CRADLE.....	35
GRAY WATER SYSTEM.....	35
TV / VCR COMBO - 12V / 120V/60.....	35
TV / VCR COMBO -12V ONLY (NTSC) INT'L.....	35
FIBERGLASS SPORT SPOILER.....	35
ANCHOR CHUTE W/HAWSE PIPE.....	35
AIR COND/HEATING-120V/60-3/4 TON.....	35
AIR COND/HEATING-220V/50-3/4 TON INTL.....	35
HOT WATER SYSTEM WITH EXCHANGER - 120V/60.....	35, 36
HOT WATER SYSTEM WITH EXCHANGER - 220V/50.....	36
HIGH PROFILE BOW RAIL.....	36
AFT SUN PAD FILLER CUSHIONS.....	36
WINDLASS - LOFRANS MARLIN - ROPE/CHAIN.....	36
WINDLASS - LOFRANS MARLIN - CHAIN.....	36
C E OPTION GROUP.....	36
2.2 TO 1 BRAVO 3 HIGH ALTITUDE GEAR RATIO.....	36
T-1.65 TO 1 BR 1 HIGH ALTITUDE GEAR RATIOS.....	36
OWNER ORIENTATION VIDEO - PAL FORMAT.....	36
120V/60 PREFERRED OPTION GROUP - CANVAS PKG.....	36
120V/60 PREFERRED OPTION GROUP- CAMPER PKG.....	37
220V/50 PREFERRED OPTION GROUP - CANVAS PKG.....	37
220V/50 PREFERRED OPTION GROUP - CAMPER PKG.....	37, 38
"NEW SUEDE SAND" - FABRIC UPGRADE.....	38
"NEW SUEDE OYSTER" - FABRIC UPGRADE.....	38
SPORT PACKAGE.....	38
FISHING PACKAGE.....	38
WINDLASS CAPSTAN.....	38
PREMIER STEREO UPGRADE-SUBWOOFER/AMPLIFIER.....	38
ADDITIONAL SWIM PLATFORM.....	38
BUTANE STOVE ( REMOVABLE ).....	38
EXPORT PACKING - INTERNATIONAL.....	38

EXTERIOR



## EXTERIOR

- 1 815720 LIGHT, BASE ROUND NAV STERN LIGHT CHR W/CONN
- 850396 LIGHT, NAV A/R STERN 75°N/BEND RG
- 1205665 BULB, STERN NAV LIGHT REPL FOR#929042/#934083
- 2 1261510 W/S, 280BR/CC/SS-00 CMLPT W/CONT TOP TRIM
- 848440 W/S, 280BR-96 W/ANOD TRIM FRONT PORT
- 848457 W/S, 280BR-96 W/ANOD TRIM FRONT STBD
- 848465 W/S, 280BR-96 W/ANOD TRIM CTR
- 848473 W/S, 280BR-96 W/ANOD TRIM WING PORT
- 848481 W/S, 280BR-96 W/ANOD TRIM WING STBD
- 848499 W/S, 280BR-96 W/ANOD TRIM SCREW CVR
- 848515 W/S, 280BR-96 W/ANOD TRIM HDWR KIT
- 863704 CATCH, BALL LARGE FOR W/S MALE
- 863712 W/S, TIP BLK
- 156893 WEBBING, POLYPROPYLENE 1" BLACK
- 154369 SNAP STUD, W/#8 X 3/8" PH SS
- 154393 SNAP SOCKET, MED ACTION
- 154401 SNAP BUTTON, W/1/4" BARREL
- 3 1319896 SUPPOT, W/S 280SS-00 PORT
- 1319904 SUPPOT, W/S 280SS-00 STBD
- 4 985754 HATCH, DECK 20X20 ULTRA II NO CLIPS
- 1174614 GASKET, DECK HATCH 20X20
- 858845 SCREEN, DECK SKYSCREEN 20"X 20" SLR
- 802843 HATCH, SPACER
- 802835 HATCH, WASHER
- 802827 HATCH, HATCH HANDLE
- 802819 HATCH, ALL HATCH SIZES PIVOT LATCH ADAPTER
- 802801 HANDLE, DECK HATCH LATCHING
- 802793 HATCH, SCREW 3/8" PLEX
- 1201201 CANVAS, HATCH CVR 20X20 BLK SLIP 99
- 1196864 CANVAS, HATCH CVR 20X20 MEDB SLIP 99
- 1130111 CANVAS, HATCH CVR 20X20 HNTR SLIP 99
- 5 908335 RAIL, BOWFORM 280CC/SS W/O PLT LOPRO 97
- 908343 RAIL, BOWFORM 280CC/SS W/PLT LOPRO 97
- 6 1225549 HORN, SGL CONCEALED W/SS GRILL W/RESISTOR
- 823393 HORN GRILL, SGL CONCEALED SS
- 7 858654 HATCH, RTM ANCHOR STRG TRIANG ARW 96
- 777268 LATCH, FLUSH MOUNT PULL WHT 2MM-7MM
- 129270 HINGE, AL CONT 2"X 96" SAT
- 156893 WEBBING, POLYPROPYLENE 1" BLACK
- 729004 TRIM-SEAL, 3/8" W/7/16"BULB LOC-C
- 855809 ROPE, DOCKLINE STRAP WHT W/HDWR (SHORT STYLE)
- 126870 VENT, CLAMSHELL ROPE LCKR 1 5/8"X 1.5"
- 8 794826 LIGHT, NAV SIDE WHT HORZ 12V
- 9 129783 WIPER ARM, 15"-19" BLACK
- 129767 WIPER BLADE, 18" FLEX BLACK
- 129684 WIPER MOTOR, 85 DEG
- 129817 COVER, WIPER MOTOR ALMOND
- 10 908368 RAIL, BOW 280CC/SS SIDE RAILS LOPRO 97
- 867259 RAIL, BOW 280CC/SS PORT ONLY
- 867267 RAIL, BOW 280CC/SS STBD ONLY
- 908350 RAIL, STANCH SET 280CC/SS LOPRO 97
- 867275 RAIL, STANCH #1 280CC/SS PORT
- 867283 RAIL, STANCH #2 280CC/SS PORT
- 867291 RAIL, STANCH #3 280CC/SS PORT
- 867309 RAIL, STANCH #4 280CC/SS PORT
- 867317 RAIL, BOW RAIL FOOT 280CC/SS PORT
- 999474 RAIL, STANCH #1 280CC/SS STBD
- 999482 RAIL, STANCH #2 280CC/SS STBD
- 999490 RAIL, STANCH #3 280CC/SS STBD
- 999508 RAIL, STANCH #4 280CC/SS STBD
- 999540 RAIL, BOW RAIL FOOT 280CC/SS STBD
- 11 291666 CLEAT, 10" 4-BOLT SS
- 793471 PLATE, BACKING UNIVERSAL 3/16"
- 12 1080100 INSERT, RUB RAIL SS 3/4"X 12' (.062/304SS)
- 897363 RUBRAIL, PVC ARCWHT 18" (SS INSERT)
- 13 126599 EYE, STERN 1/2"X 3 7/16" W/BACKING PLATE
- 793471 PLATE, BACKING UNIVERSAL 3/16"
- 14 843623 RAIL, STERN 280-96 W/SKI TOW
- 132167 BAR, ALUM FLAT 1/4"X 2"X 12"
- 15 162263 PLUG, BRASS 1/2" MPT DRAIN SPARE
- 325191 PLUG, RED BRASS DRAIN PLUG 1/2" MPT
- 16 1154343 COVER, PLEX 280-99 BILGE VENT WHT
- 17 845271 HATCH, RTM/FRP LADDER CONCEALED ARW 96
- 844753 HINGE, SS CONT 2"X 15" W/1/8" PIN
- 941344 LADDER, SWIM 3-STEP SS CONCEALED REV GUDGNS
- 609883 CLEAT, PLAS 3/4"X 1"X 4" GREY
- 864918 SHIM, HDPE TRANSOM LADDER CATCH

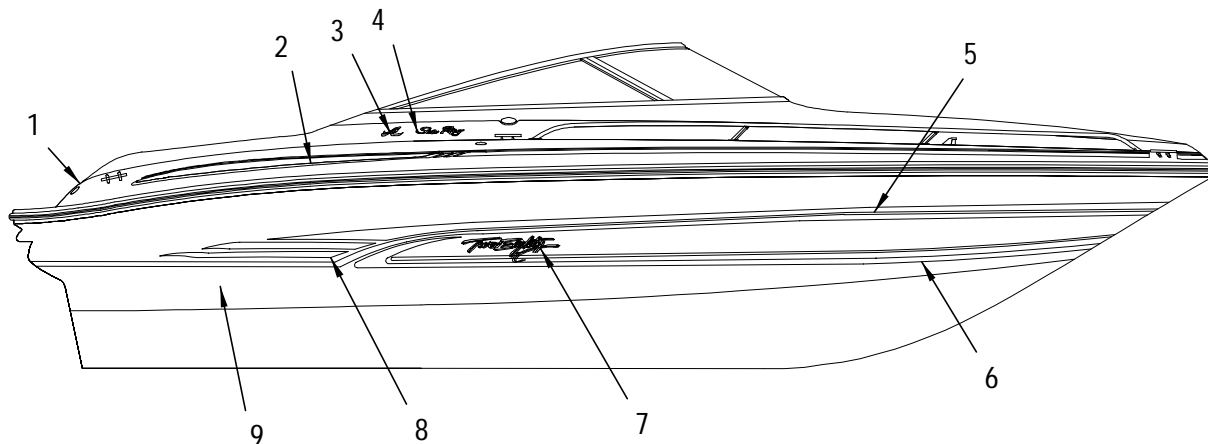
## LABELS

- 1112879 LABEL, DANGER SHUT OFF ENG WHEN NEAR SWIMMERS
- 852533 LABEL, FUEL RECOMMENDATION
- 852525 LABEL, SKI TOW ROPE BACKLASH

## NOT SHOWN

- 507921 PORTLIGHT, ASSY W/TRIM RING OFF-WHT/SS
- 764621 TRIM RING, PORTLIGHT WHT INSD FOR #0507921
- 764639 TRIM RING, PORTLIGHT WHT SS OUTSD
- 697508 EYE, BOW 3/8"X 2.75"

**EXTERIOR GRAPHICS**



**EXTERIOR GRAPHICS**

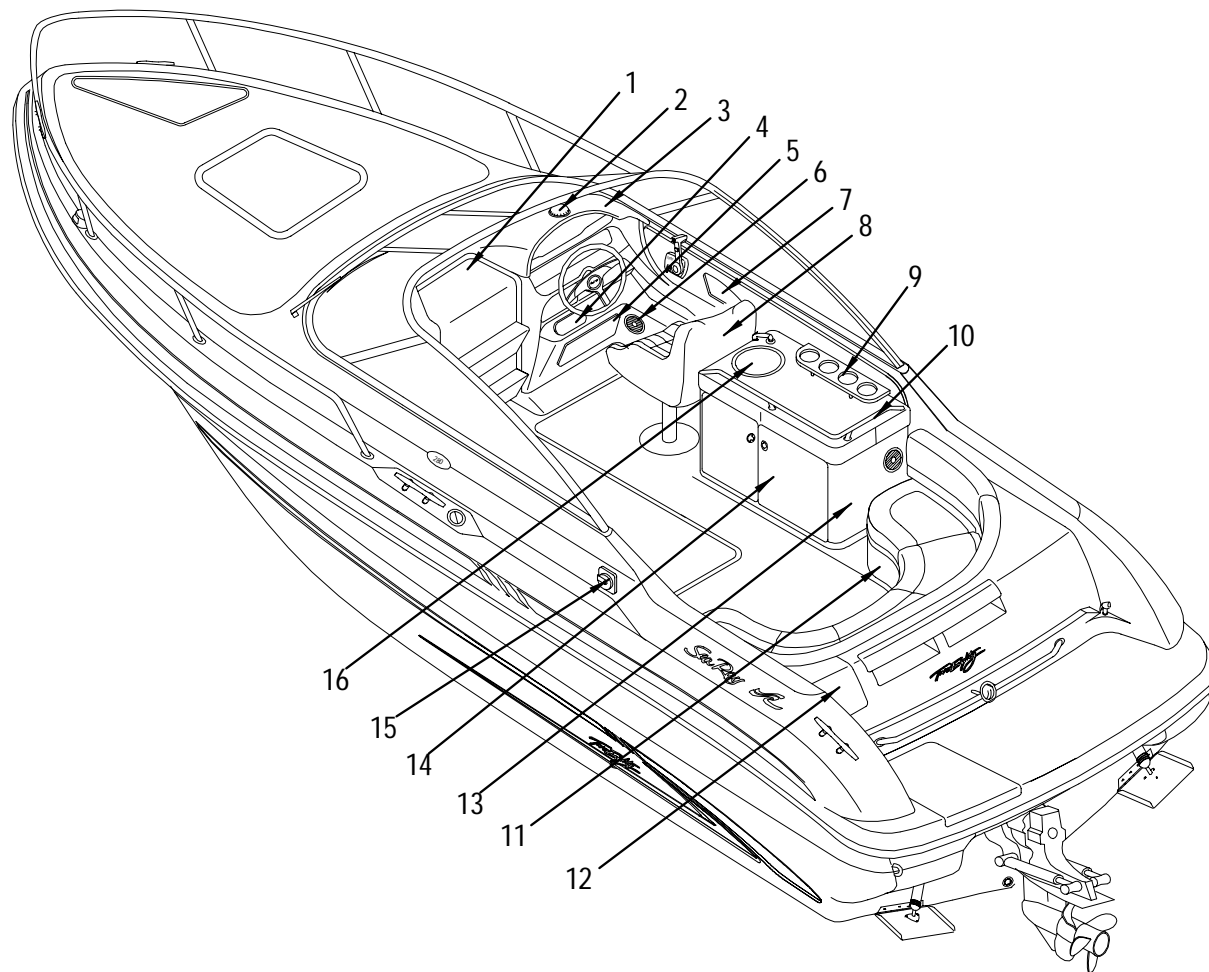
- 1 866269 TAPE, MODEL DESG 280 TRANS BLK
- 1300581 TAPE, MODEL DESG 280 TRANS GLXYBL
- 1300599 TAPE, MODEL DESG 280 TRANS HNTRGR
- 2 783902 TAPE, M/S 1.5"W/SGL-VOID GLD/BLK
- 1300409 TAPE, M/S 1.5"W/SGL-VOID MISTBL/GLXYBL
- 1300417 TAPE, M/S 1.5"W/SGL-VOID SEAFMGR/HNTRGR
- 3 735605 EMBLEM, S/R LOGO/WAVE GOLD MED
- 205575 EMBLEM, S/R LOGO/WAVE CHROME MED
- 4 735597 EMBLEM, "SEA RAY" SCRIPT GOLD 13"
- 211607 EMBLEM, "SEA RAY" SCRIPT CHROME 13"
- 5 1300623 TAPE, M/S 2.75"W/SGL-VOID BLK STD
- 1300607 TAPE, M/S 2.75"W/SGL-VOID BLUE STD
- 1300615 TAPE, M/S 2.75"W/SGL-VOID GRN STD
- 6 1300474 TAPE, M/S 2.5"W/SGL-VOID GLDMET/BLK
- 1300458 TAPE, M/S 2.5"W/SGL-VOID MISTBL/GLXYBL
- 1300466 TAPE, M/S 2.5"W/SGL-VOID SEAFMGR/HNTRGR
- 7 1300573 TAPE, SCRIPT "TWO-EIGHTY" PRFL BLK/AUTGLD
- 1300698 TAPE, SCRIPT "TWO-EIGHTY" PRFL GLXYBL/MISTBL
- 1300706 TAPE, SCRIPT "TWO-EIGHTY" PRFL HNTRGR/SEAFMGR
- 8 1300680 TAPE, HULL APP 280BR-00 BLK PORT STD
- 1300664 TAPE, HULL APP 280BR-00 BLUE PORT STD
- 1300631 TAPE, HULL APP 280BR-00 BLUE STBD STD
- 1300672 TAPE, HULL APP 280BR-00 GRN PORT STD
- 1300649 TAPE, HULL APP 280BR-00 GRN STBD STD
- 1300656 TAPE, HULL APP 280BR-00 BLK STBD STD

- 9 1300508 TAPE, SOLID 1.25" GOLD METALLIC
- 1300482 TAPE, SOLID 1.25" MIST BLUE METALLIC
- 1300490 TAPE, SOLID 1.25" SEAFOAM GREEN METALLIC
- 1322619 TAPE, SOLID 1.25" AUTUMN GOLD

**NOT SHOWN**

- 1310416 GEL COAT, GALAXY BLUE
- 1310424 GEL COAT, HNTR GRN
- 1317866 GEL COAT, JET BLK
- 1325976 TAPE, MOLD MASK 280BR/SS-00 PRT
- 1325984 TAPE, MOLD MASK 280BR/SS-00 STB
- 1317858 GEL COAT, ARCTIC WHT

COCKPIT (STARBOARD VIEW)



**COCKPIT (STARBOARD VIEW)**

1	1356583	280SS 00, DOOR, CABIN ENT FBRGLS HIN#
	1313659	TRACK, ALUM ANOD SLIDE ASSY LWR 280SS-00
	1342161	TRACK, HDPE 280BR/SS-00 CABIN ENTRY DELRIN
	924787	THRESHOLD, SS 280CC ENTRYWAY
	765800	STOP, SLIDING DOOR/WINDOW CHR
	634501	NOSING, ALUM 5/8"X 10' T-1 ROUNDED BRITE BUFF
	762872	LOCK, CABIN DOOR WHT PC ALUM
	799742	KEY, CABIN ENTRY MOBELLA (SPECIFY LOCK#802)
	937086	KEY, CABIN ENTRY MOBELLA (SPECIFY LOCK#811)
	1191717	KEY, CABIN ENTRY MOBELLA (SPECIFY LOCK#812)
	937060	KEY, CABIN ENTRY MOBELLA (SPECIFY LOCK#815)
	1178896	KEY, CABIN ENTRY MOBELLA (SPECIFY LOCK#817)
	761767	KEY, CABIN ENTRY MOBELLA (SPECIFY LOCK#818)
	1218106	KEY, CABIN ENTRY MOBELLA (SPECIFY LOCK#829)
	1286319	KEY, CABIN ENTRY MOBELLA (SPECIFY LOCK#832)
	999516	KEY, CABIN ENTRY MOBELLA (SPECIFY LOCK#838)
	937078	KEY, CABIN ENTRY MOBELLA (SPECIFY LOCK#843)
	1049790	KEY, CABIN ENTRY MOBELLA (SPECIFY LOCK#848)
	723767	SNAP CAP, PRESS-ON CVR #2 PHILLIP WHT
2	132563	COMPASS, FLUSH MT VOYAGER BLK
3	844795	VISOR, DASH 280-96 CUSTOM FOAM
	849257	TAPE, SOLID 1/2" SANDSTONE
4	1160100	STEREO, AM/FM CASS W/CHANGER CNTRL
	914812	STEREO, REMOTE CNTRL
	847293	COVER, RADIO WHT (ABS)
	875484	ANTENNA LEAD, STEREO SOFT WIRE 30"
	1312750	CABLE, CLARION REMOTE EXTENSION CABLE 24'
	1082015	STEREO, AMP CLARION APA2030 12V
	853101	HARNES, STEREO AMP
	731182	CABLE, RCA AUDIO "Y" (1-FM/ 2-M)
5	778621	DOOR, STRG W/8.5"X 15.5" ARW FRAME RH 95
	156166	PULL, DOOR/DRAWER PLAS WHT
	156893	WEBBING, POLYPROPYLENE 1" BLACK
	634501	NOSING, ALUM 5/8"X 10' T-1 ROUNDED BRITE BUFF
	723767	SNAP CAP, PRESS-ON CVR #2 PHILLIP WHT
	772418	CATCH, RIM-LOCK WHT
	761445	CATCH, RIM-LOCK STRIKE PLATE
	951913	BOX, HDPE 280BR/CC/SS-97 GLOVEBOX ASSY
	894469	PANEL, 280-96 CNTRL STN CIRC BRKR
	842005	SUPPOT, P/B 280 HELM BRKR PANEL DOOR
6	1049865	SPEAKER, COAXIAL EXT 6.5" CM1620
7	908574	PANEL, PLAS 280-96 CKPT STBD SML ACCENT
	748236	EMBLEM, "SEA RAY" SCRIPT GOLD 5"
8	1326743	BKT SEAT, 280BR/SS-00 W/THRS GSW
	1141183	SLIDE ASSY, SEAT MILLENNIUM 10.5" MNT HOLES
	1324201	PEDESTAL, ALUM 16" RIBBED W/DELCUP
9	1154327	RACK, PLEX 280-99 4-GLASS HOLD W/3STN ENT CTR
	705590	STANCHION, HDPE 1/2"X 1.25"X 2.5" ARW
10	1320514	RAIL, GRAB 280SS-00 ENTERTAINMENT CTR
11	845446	BULKHD, P/B 280BR CKPT U-SHAP SEAT BASE STBD
12	845560	DOOR, RTM 280BR/SS-96 TRANSOM ARW
	845024	HINGE, SS CONT 2"X 10" W/3/16"PIN
	140111	LIFT HANDLE, HATCH LIFT BOLT W/RING 3"
	390849	CATCH, GRABBER LATCH W/10LB HOLD BLK PLAS
	844837	SHIM, ABS 280BR CKPT TRANSOM DOOR LATCH
13	1356591	280SS 00, ENTERTAINMENT CTR FBRGLS HIN#
14	1320852	DOOR, HDPE 280-00 CKPT ENT CTR
	777268	LATCH, FLUSH MOUNT PULL WHT 2MM-7MM
	815407	PLATE, STRIKER LATCH
	953265	HINGE, 280CC CKPT CTR AFT DOOR SS 96
	133348	COOLER, 25QT
	609883	CLEAT, PLAS 3/4"X 1"X 4" GREY
15	133660	INLET, SHORE POWER SS 125V 30A
16	776138	SINK, V/F OVAL ARW

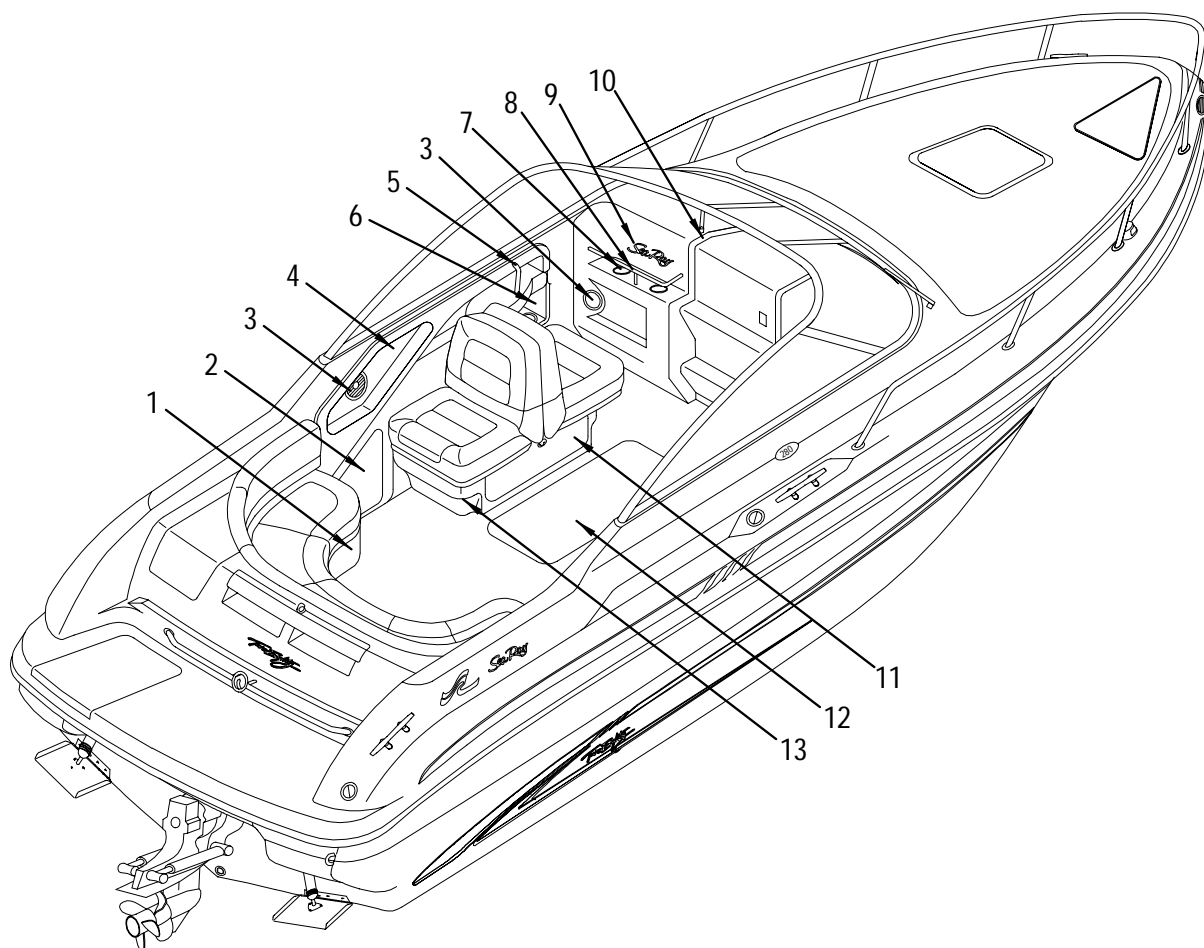
**COCKPIT GLOVE BOX AND STORAGE DRAWER**

951913	BOX, HDPE 280BR/CC/SS-97 GLOVEBOX ASSY
--------	--

**NOT SHOWN**

137380	LIGHT, NAV STERN FLUSH MT CKPT
140285	HINGE, SS CONT 2"X 72" (.225 CURL WIDTH)
829572	LATCH, FLUSH D-RING W/O LOCK WHT W/3"SHFT/CAM
1027697	RADIO, VHF RAY-210
1055797	FLUSH MOUNT KIT, RAY-210 VHF RADIO FRONT MNT
115311	MOUNT, RATCHET VHF 4-WAY W/1"-14 MALE THD SS
822601	GASKET, VHF ANTENNA BASE LILY RATCHET MNT

COCKPIT (PORT VIEW)





**COCKPIT (PORT VIEW)**

- |    |         |   |
|----|---------|---|
| 1  | 1356609 | 280SS 00, SEAT BTM, CKPT U-SHAPED FBRGLS HIN# |
|    | 1356617 | 280SS 00, SEAT TOP, CKPT U-SHAPED FBRGLS HIN# |
|    | 844738  | HINGE, SS CONT 2.5"X 35" W/1/4"PIN            |
|    | 743625  | TRIM, EDGE WHITE MOTOR BOX LARGE              |
|    | 736983  | TAPE, NON-SKID WHT 2"                         |
|    | 729004  | TRIM-SEAL, 3/8" W/7/16"BULB LOC-C             |
|    | 704486  | MOLDING, FOAM RBR "D-SHAPE" 1.75" W/ADH       |
|    | 609883  | CLEAT, PLAS 3/4"X 1"X 4" GREY                 |
|    | 524215  | TRIM-SEAL, 1/4" W/7/16"BULB LOC-A             |
|    | 845297  | BULKHD, P/B 280BR CKPT U-SHAP SEAT BASE PORT  |
|    | 1100247 | ACTUATOR, ELEC HATCH LIFT 8"12V CE            |
|    | 992321  | BRACKET, 280BR HATCH LIFT ACT LRG             |
|    | 992339  | BRACKET, 280BR HATCH LIFT ACT SML             |
|    | 842518  | BOARD, P/B 280BR-96 CKPT U-SHAPED SEAT FILLER |
| 2  | 845453  | DOOR, HDPE 280 CKPT STRG PORT W/HDWR          |
|    | 777268  | LATCH, FLUSH MOUNT PULL WHT 2MM-7MM           |
|    | 663708  | BUMPER, CLEAR .020" THICK                     |
|    | 846501  | MOUNT, P/B 280-96 CKPT PORT SIDE PNL BRKR     |
|    | 847038  | PANEL, 280BR MAIN DC BREAKER                  |
| 3  | 1049865 | SPEAKER, COAXIAL EXT 6.5" CM1620              |
|    | 709261  | GRILL, SPEAKER EXT WHT                        |
| 4  | 846394  | BOX, DR/ABS 280 PORT SIDE STRG AFT            |
| 5  | 846584  | RAIL, GRAB 280 PORT UPR SS W/FLANGES          |
| 6  | 846386  | BOX, DR/ABS 280 PORT SIDE STRG FWD            |
|    | 847822  | LIP, HDPE 280 CKPT PORT FWD STRG I/B          |
|    | 723767  | SNAP CAP, PRESS-ON CVR #2 PHILLIP WHT         |
| 7  | 1336122 | DRINKHOLDR, PLAS 4"X 3" MUG SZ WHT W/NPL      |
|    | 124347  | HOSE, PVC CLEAR 3/8"                          |
| 8  | 853309  | RAIL, GRAB 280CC/SS DOOR CVR                  |
| 9  | 748236  | EMBLEM, "SEA RAY" SCRIPT GOLD 5"              |
| 10 | 634501  | NOSING, ALUM 5/8"X 10' T-1 ROUNDED BRITE BUFF |
| 11 | 842534  | DOOR, HDPE 280 B/B SEAT STRG W/HDWR           |
|    | 777268  | LATCH, FLUSH MOUNT PULL WHT 2MM-7MM           |
|    | 718874  | TRACK ASSY, B/B SET W/KNOB & CLIP 3PC         |
|    | 1093723 | 280CC/SS, HINGE, B/B PRT 1/8"X 1 5/8"X 17"(2) |
|    | 1093715 | 280CC/SS, HINGE, B/B PRT 1/8"X 3"X 16"        |
| 12 | 1356625 | 280SS 00, HATCH, FLOOR STRG FBRGLS HIN#       |
|    | 636423  | HINGE, SS CONT 2"X 38" SLOTTED                |
|    | 817643  | CYLINDER, GAS 40PSI 17.2"EXT X 10.2"COMP      |
|    | 819532  | BRACKET, SS LIFT CYL FLAT 1" W/STUD 3-HOLE    |
|    | 634550  | BRACKET, SS GAS CYL 90DEG L-BRKT W/BALL LONG  |
|    | 729004  | TRIM-SEAL, 3/8" W/7/16"BULB LOC-C             |
|    | 822668  | LIGHT, SGL DOME FLUSH MT PLAS WHT W/O SWITCH  |
|    | 843656  | FLOORING, VINYL DIAMOND PLATE 4'X 75'         |
|    | 845289  | COVER, ABS 280 CKPT FLOOR STRG STRINGER       |
| 13 | 1356633 | 280SS 00, BASE, B/B SEAT FBRGLS HIN#          |

**LABELS/PLATES**

- |        |  |
|--------|--|
| 722041 | LABEL, DANGER/WARNING COMBO CNTRL STA    |
| 532820 | LABEL, DISPOSAL OF GARBAGE               |
| 324756 | LABEL, RECEPTACLE 12V-15A MAX (LEXAN)    |
| 852640 | LABEL, DOOR SECURED UNDERWAY             |
| 125062 | PLATE, NMMA YACHT CERT GAS               |
| 129122 | LABEL, NMMA CERTIFIED                    |
| 187245 | LABEL, BOATMAN'S CHECK LIST              |
| 696401 | DECAL, MID SIZE BOAT OF THE YEAR         |
| 696419 | DECAL, OFFICIAL BOAT OF WALT DISNEY WORL |
| 716134 | DECAL, PRESIDENT'S AWARD FOR QUALITY     |

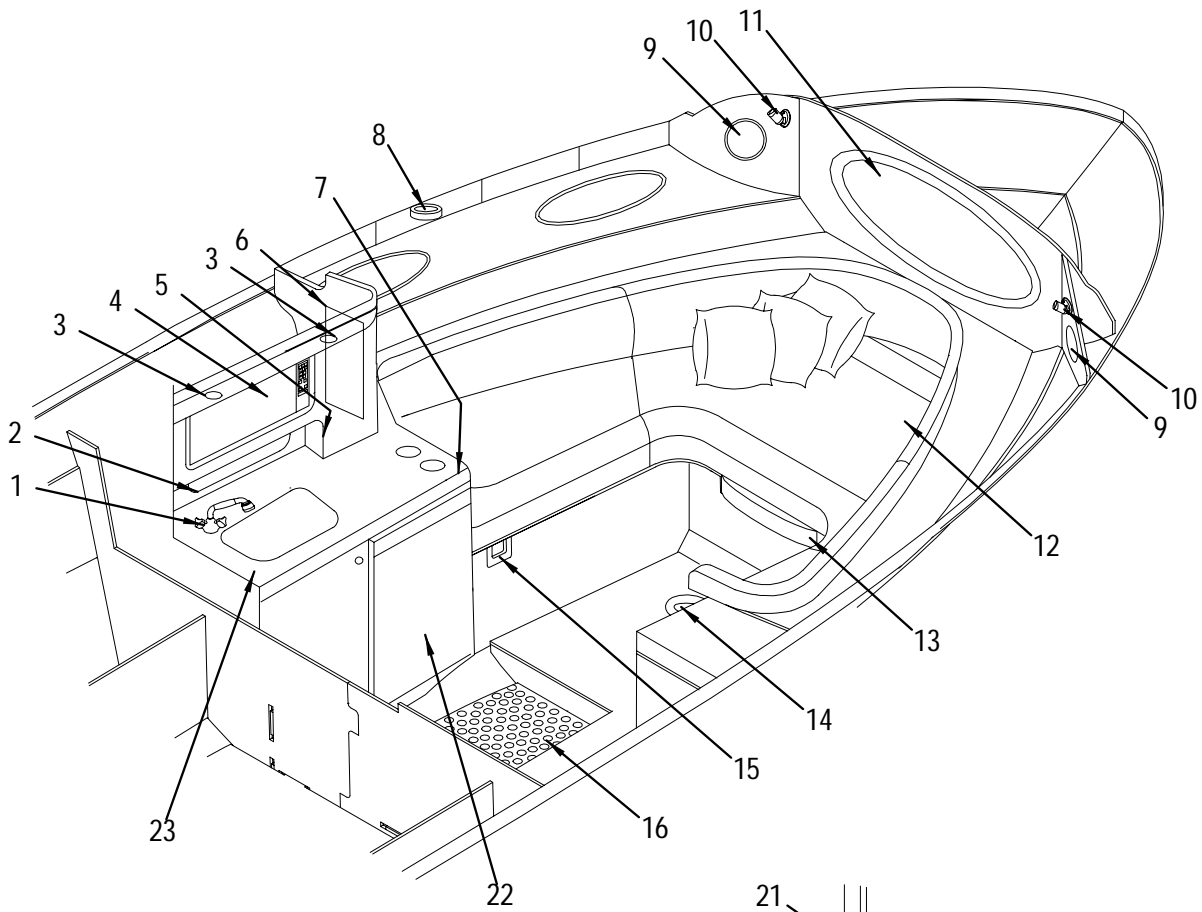
**MISCELLANEOUS**

- |        |   |
|--------|---|
| 983692 | ACCESS PLATE, POLYPROP W/ O-RING 4" WHT |
| 129171 | ANGLE, ALUM 1/8"X 1"X 1"X 12'           |
| 137380 | LIGHT, NAV STERN FLUSH MT CKPT          |
| 257972 | TRIM, EDGE WHT LEATHER 1"X 5/16"        |

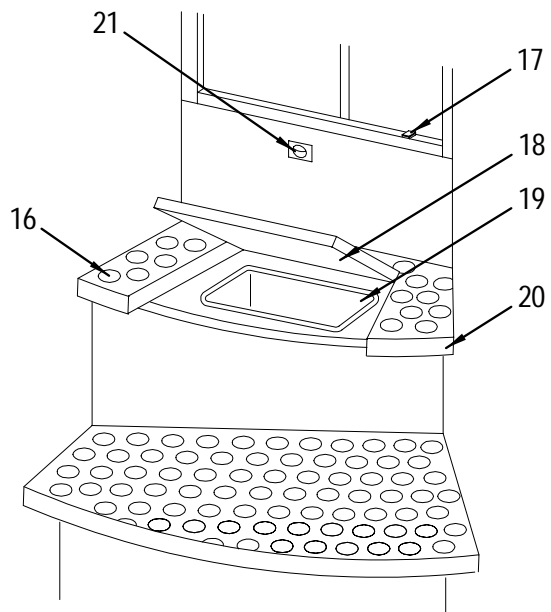
**NOT SHOWN OWNERS PACKAGE**

- |         |   |
|---------|---|
| 137729  | CARD, COAST PILOTING INFORMATION              |
| 704502  | CARD, EXPRESS LIMITED TRANSFERABLE WARRANTY   |
| 957944  | SUPPLEMENT, OWNERS MAN'L 97-280CC/SS          |
| 137711  | CARD, NAVIGATION INFORMATION                  |
| 203257  | CHECK LIST, IN SERVICE - SP CRUISERS          |
| 522599  | KEY, DECK PLATE CAP                           |
| 902726  | PACKET, OWNERS BRIEFCASE CANVAS BLK (TYPHOON) |
| 1087766 | PACKET, MULTI-INFO 280SS                      |
|         | (CONTAINS ITEMS LISTED BELOW)                 |
| 1331040 | SPEC SHEET, 00, 280SS                         |

INTERIOR



ENTRYWAY STEPS



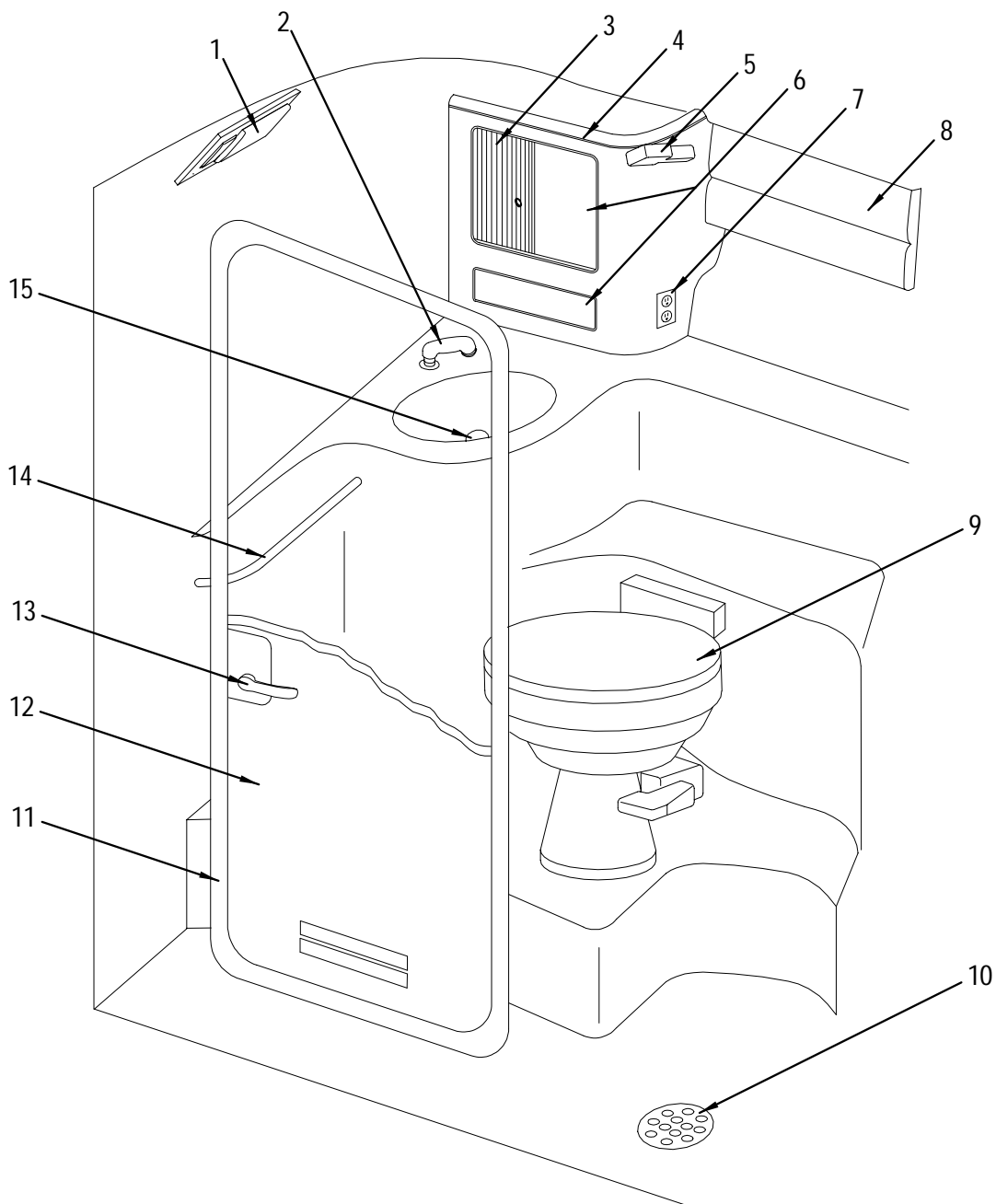
**INTERIOR**

- 1 982173 FAUCET, GALLEY CLASSIC SHORT SPOUT W/HANDLES
- 175687 DRAIN, SINK STRAINER 2.5" SS
- 2 1356658 280SS 00, DOOR, TAMBOUR V/B (NEED DIMEN) HIN#
- 996264 TRACK, TAMBOUR SLIDE LEFT SPIRAL WHT
- 996272 TRACK, TAMBOUR SLIDE RIGHT SPIRAL WHT
- 221341 TAMBOUR, 1/8" 4 X 8 RED OAK
- 945246 PULL, ROSETTE POL SOLID BRASS 19MM
- 324335 RECEPTACLE, FEMALE 12V
- 324756 LABEL, RECEPTACLE 12V-15A MAX (LEXAN)
- 965707 MONITOR, CO DETECTOR WHT
- 3 784975 LIGHT, RECESSED W/CLEAR LENS BRS 10W HALOGEN
- 4 1141191 MICROWAVE, GE 0.6CF BLK 110V
- 5 516583 CHANNEL, VINYL-U ROUNDED 1/8" POL BRASS RIGID
- 6 1365691 280SS 00, DOOR, STRG/TV HIN#
- 761445 CATCH, RIM-LOCK STRIKE PLATE
- 772418 CATCH, RIM-LOCK WHT
- 945238 PULL, PUSH-BUTTON POL SOLID BRASS
- 945246 PULL, ROSETTE POL SOLID BRASS 19MM
- 7 934661 T-MOLD, VINYL INSERT 5/16" POL BRS RIGID 12'
- 8 849349 COVER, PLAS STANCH BACK PLATE-CLIP MOD VINYL
- 9 1163070 SPEAKER, CLARION INT 6.5" BLK SRR1622
- 10 981316 SPOTLIGHT, SWIVEL TASK BEIGE W/GLD ACCNT HLGN
- 858886 BULB, REPL FOR #0830307
- 11 1356674 280SS 00, MIRROR ASSY, ROPE LCKR HIN#
- 123356 MIRROR, 1/8"X 12.5"X 37"
- 12 1356690 280SS 00, CUSH, VBERTH CTR HIN#
- 1356708 280SS 00, BOARD, FILLER CUSH SUPPORT HIN#
- 195479 HINGE, AL CONT FORM/DBL 2.5"X 72" SATIN
- 634550 BRACKET, SS GAS CYL 90DEG L-BRKT W/BALL LONG
- 859744 BRACKET, LIFT CYL OFFSET W/STUD 2-HOLE
- 13 864157 TABLE, T/F CKPT ROUND ARW 96
- 671933 BASE, LEG/POST SURFACE MT ALUM (ZWAARDVIS)
- 682831 POST, TABLE LEG 27.5" ALUM RIBBED (ZWAARDVIS)
- 743179 POST, TABLE LEG 15.25" ALUM RIB (ZWAARDVIS)
- 14 671925 BASE, LEG/POST FLUSH MT ALUM (ZWAARDVIS)
- 15 221333 SUPPORT, ALUM BAR 3 3/8"X 1 5/8"X 1/16"
- 132100 TUBE, ALUM RECT 1"X 2"
- 16 757260 FLOORING, VINYL LONCOIN I BEIGE
- 17 765800 STOP, SLIDING DOOR/WINDOW CHR
- 924787 THRESHOLD, SS 280CC ENTRYWAY
- 18 1356716 280SS 00, LID, STEP TRASH HIN#
- 129270 HINGE, AL CONT 2"X 96" SAT
- 19 1198662 COVER, HDPE 340DA-99 TRASH F/W
- 20 856708 NOSING, VINYL 1"X 1/4"X 10' RIGID MALT
- 21 840850 LIGHT, COURTESY OVAL STEP ANTIQUE WHT (INT)
- 22 777417 REFRIGERATOR, 2.0 CF AC/DC
- 23 1365675 280SS 00, GALLEY CNTER W/SINK ASY FBGLS HIN#

**NOT SHOWN**

- 737908 BASE, LEG/POST FLUSH MT ALUM ROUND ANOD
- 137349 ACCESS PLATE, PLAS CVR 5" WHT

HEAD

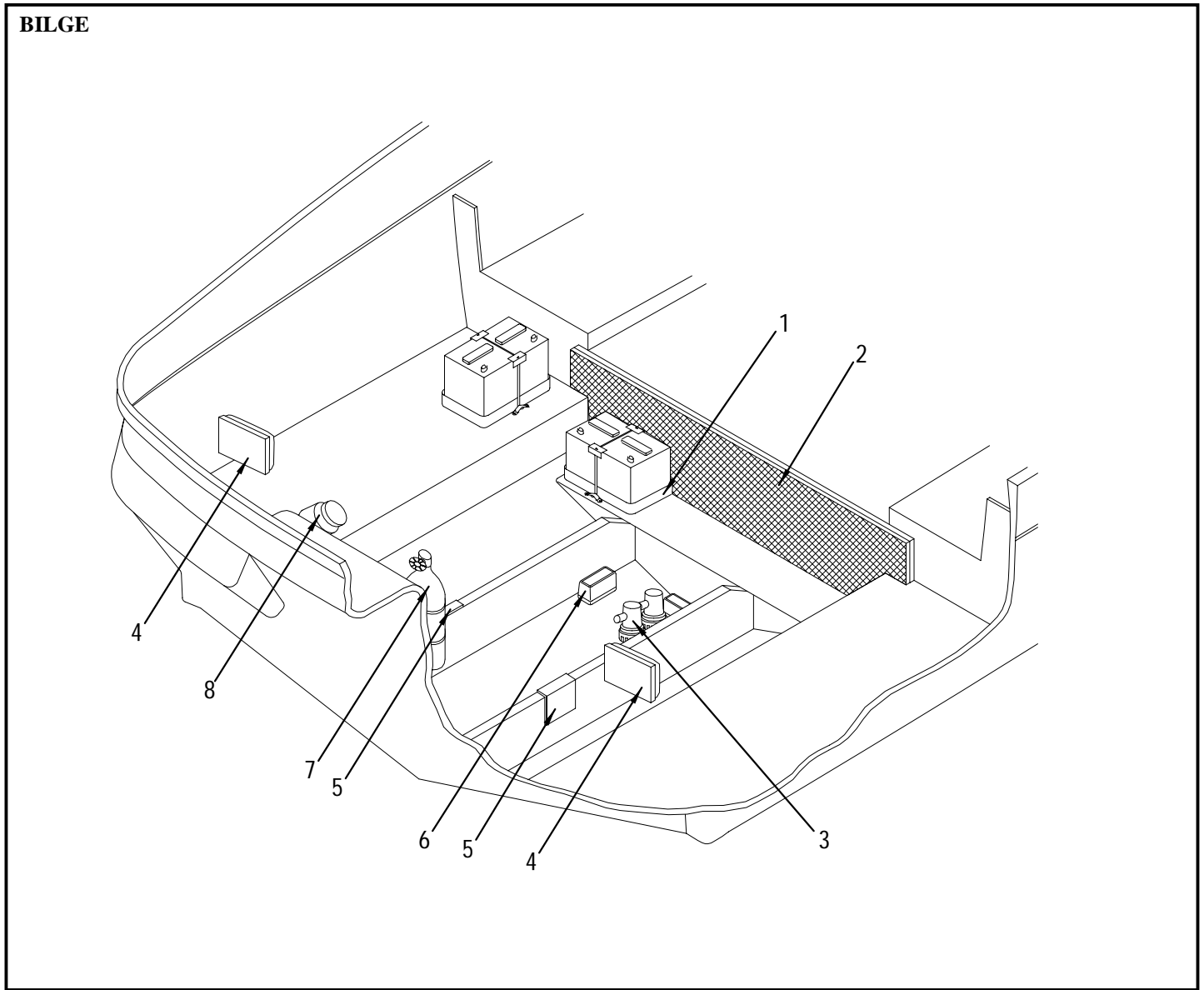


**HEAD**

1	312975	LIGHT, SGL DOME FLUSH MT WHT W/SWITCH
2	785246	SHOWER, SPRAY NOZZLE ANGLE BASE W/WHT HOSE
3	1356724	280SS 00, DOOR, TAMBOUR V/B (NEED DIMEN) HIN#
	1043850	TAMBOUR, 3/16"X 47.25"X 95" SAIL WHT MATTE
	516732	NOSING, ALUM 5/8"X 12' ROUNDED GOLD
	996264	TRACK, TAMBOUR SLIDE LEFT SPIRAL WHT
	996272	TRACK, TAMBOUR SLIDE RIGHT SPIRAL WHT
4	934661	T-MOLD, VINYL INSERT 5/16" POL BRS RIGID 12'
5	129817	COVER, WIPER MOTOR ALMOND
	129684	WIPER MOTOR, 85 DEG
6	516732	NOSING, ALUM 5/8"X 12' ROUNDED GOLD
7	258384	COVER PLATE, SGL DUPLEX RECEPT WHT
	258376	RECEPTACLE, DUPLEX WHT 15A
	627737	BOX, RECEPTACLE/SWITCH PVC 1-GANG DEEP
8	1356757	280SS 00, MUFF, HEAD HIN#
9	1206895	HEAD, VACU-FLUSH BTM DISCHARGE BONE LOW PRFL
10	196782	DRAIN ASSY, SHOWER 1.5"
11	908640	FRAME, ALUM 20.5"X 50.25" ANTWHT HEAD DOOR
12	1356732	280SS 00, DOOR, HEAD CMPLT HIN#
	195032	HINGE, AL CONT 1.25"X 72" SAT
13	908616	LATCH, OFFSHR FLUSH RH-OUT PRVKNB ANW
14	853267	RAIL, GRAB 280CC/SS HEAD 96
15	146175	DRAIN ASSY, 1.25" DRAIN W/PLUG PLASTIC

**NOT SHOWN**

	1356740	280SS 00, DOOR, DASH ACCESS HIN#
	761445	CATCH, RIM-LOCK STRIKE PLATE
	772418	CATCH, RIM-LOCK WHT
	859165	SHIM, HDPE 5/16"X 1 7/8"X 3 1/8"
	257972	TRIM, EDGE WHT LEATHER 1"X 5/16"
	945238	PULL, PUSH-BUTTON POL SOLID BRASS
	945246	PULL, ROSETTE POL SOLID BRASS 19MM



**BILGE**

- 1 130435 HOLDER, BATTERY GR27 BLK NYLON W/SS
- 1258979 BOOT, BATTERY CABLE 105C "T" BLK 4/0
- 1258987 BOOT, BATTERY CABLE 105C "T" RED 4/0
- 130807 CABLE, BATT BLK #2/0AWG
- 184051 CABLE, BATT RED #2/0AWG
- 360495 CONN, BATT LUG 2/0 POS W/NUT/BOLT
- 360537 CONN, BATT LUG 2/0 NEG W/NUT/BOLT
- 518738 CONN, BATT LUG 2/0GA NEG T-TYPE
- 766071 SWITCH, BATTERY SELECTOR W/O LOCK W/O DISC
- 793257 CONN, RING 2/0GA X 3/8R BATT/CBL COP PLTD CLS
- 2 142539 INSULATION, GREY CONV P/C 35"X 70"
- 3 801373 PUMP, BILGE V1250 12VDC W/CONN
- 839357 BRACKET, BILGE PUMP HI-WATER
- 4 822668 LIGHT, SGL DOME FLUSH MT PLAS WHT W/O SWITCH
- 5 667345 SUPPORT, MOTOR MOUNT 7.5"X "L" SHAPED
- 6 815431 SWITCH, FLOAT SUREBAIL W/CONN
- 7 196337 HALON SYS, AUTOMATIC 150CF (1301 HALON)
- 8 783613 BLOWER, BILGE 4" TURBO 4000 W/CONN
- 124016 HOSE, VENT/BLOWER 4" EX HVY DTY
- 716159 VENT, PLAS GRILL 4" BLK

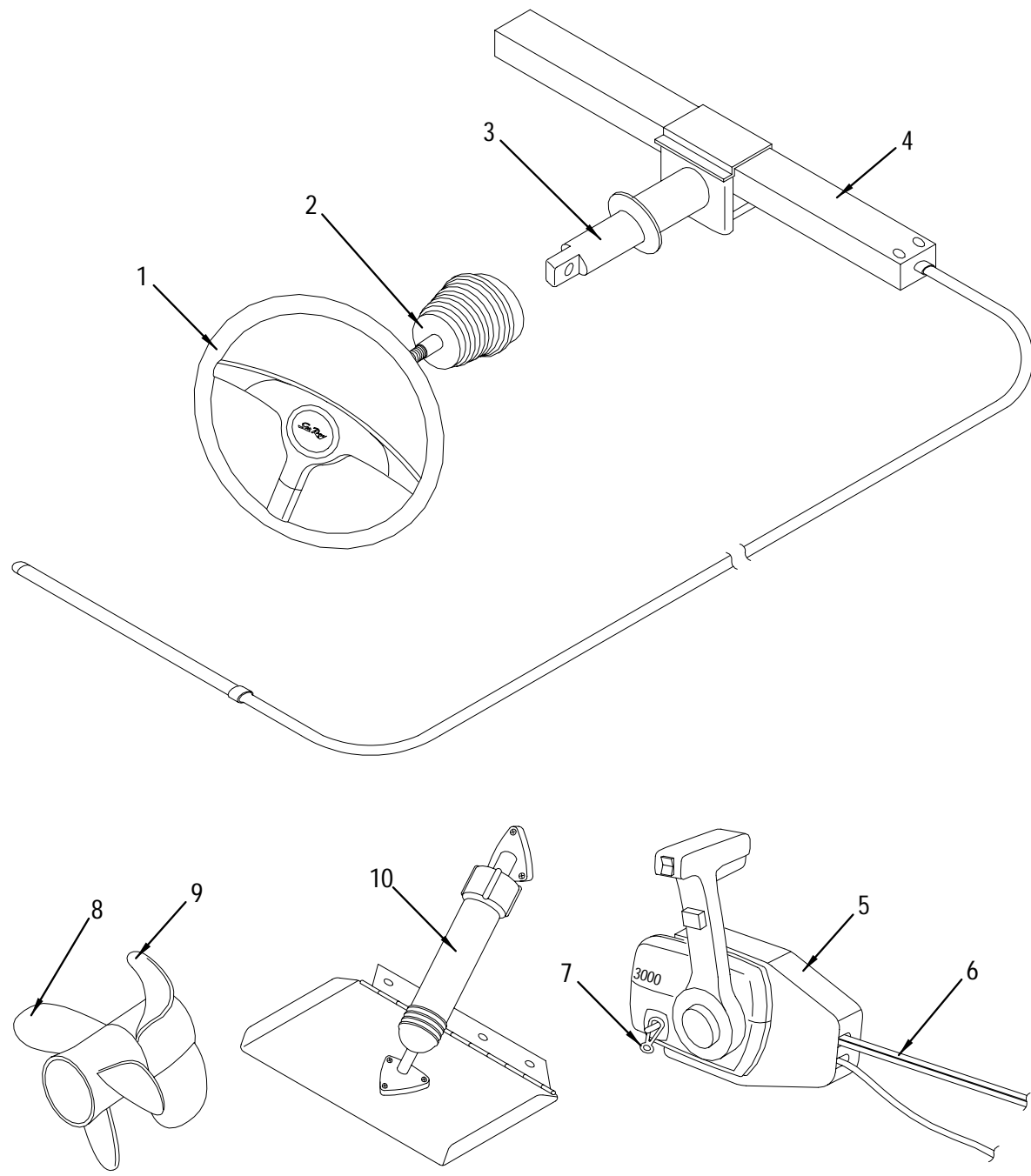
**NOT SHOWN (continued)**

- 852624 LABEL, STAY CLEAR OF MOVING PARTS
- 134908 PLATE, NOTICE OIL DISCHARGE
- 914341 LABEL, CHECK BATTERY CELL FLUID LEVEL
- 124719 HOSE, SANI/CHEMICAL TDX 5/8"

**NOT SHOWN**

- 132167 BAR, ALUM FLAT 1/4"X 2"X 12"
- 590646 CLIP, POLE STRG BLK - MAST LIGHT
- 124305 HOSE, CONDUIT/SPLIT 1" BLK

STEERING SYSTEM

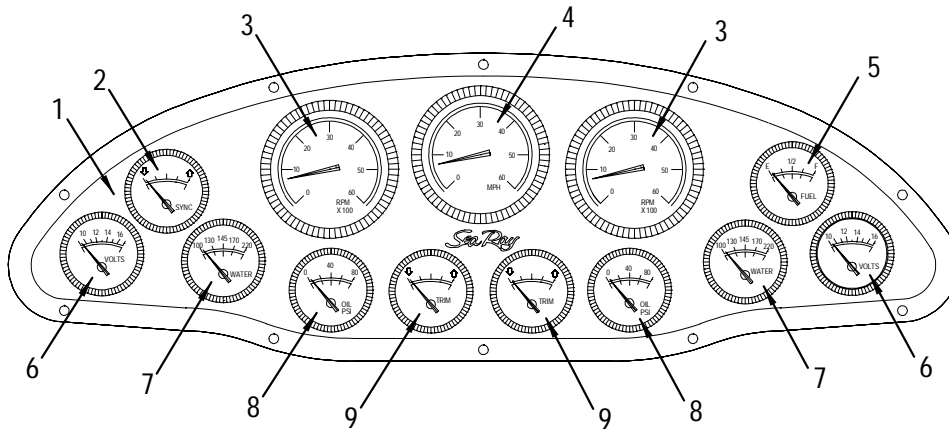


**STEERING SYSTEM**

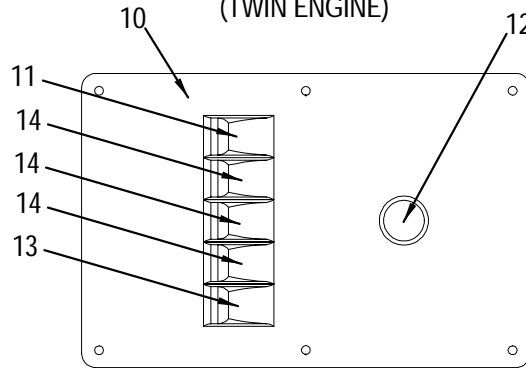
- 1 1298017 STEERING WHEEL, 3-SPOKE WOOD W/URETH PAD
- 322909 EMBLEM, SEA RAY LOGO 1 3/8" ROUND
- 916148 STEERING WHEEL, 3-SPOKE WOOD CTR RING ONLY
- 2 1092246 STEERING, TILT HELM BACK-MNT
- 3 662510 STEERING, PERFORMANCE TILT MECHANISM
- 4 1091966 STEERING, BACK MNT RACK/CABLE 19.5' ASSY
- 5 819920 CONTROL, REM THRTL/SHIFT CLSC 3000 W/CONN
- 6 1028042 CABLE, CONTROL TELEFLEX 18' 600A/MERC SERIES
- 1028075 CABLE, CONTROL TELEFLEX 21' 600A/MERC SERIES
- 7 762633 LANYARD, COILED W/FLOAT FOR #697045 SWITCH
- 8 708206 PROP, 14.25" X 24" SS BR3 RH
- 9 708198 PROP, 15.5" X 24" SS BR3 LH
- 10 268508 TRIM TAB, HYD PUMP KIT W/3" NIPPLE
- 214460 ZINC, TRIM TAB W/1/4-20 X 3/4" BOLT/NUT
- 271445 TRIM TAB, HYD PUMP ONLY 12V
- 271452 TRIM TAB, HYD CYLINDER ONLY
- 298737 TRIM TAB, ASSY 12X12 SGL ACT PARA



**INSTRUMENT / BREAKER PANEL (TWIN ENGINE)**



**INSTRUMENT PANEL  
(TWIN ENGINE)**

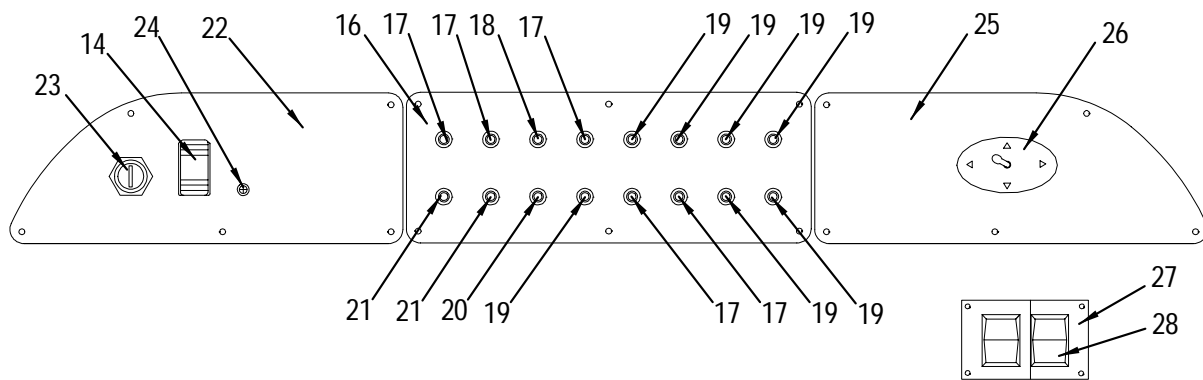
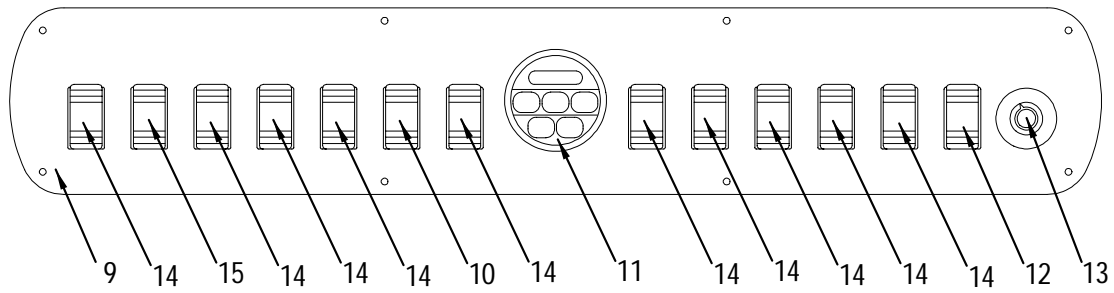
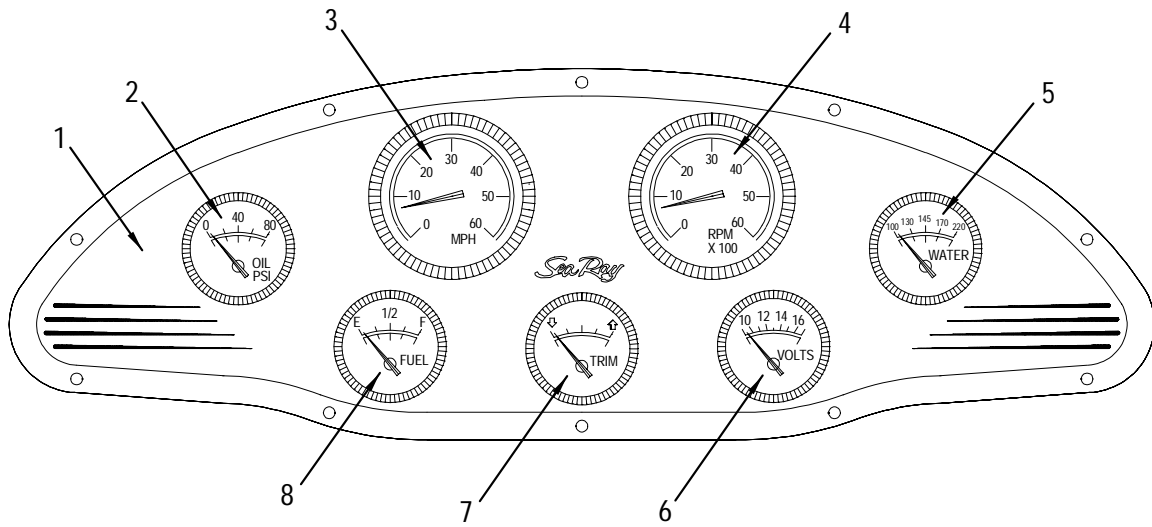


**MAIN DC BREAKER PANEL**

**INSTRUMENT / BREAKER PANEL (TWIN ENGINE)**

- 1 1291699 PANEL, 280-00 TWIN ENG INST A/F
- 934570 PANEL, BLANK:280-97 INST TWIN
- 2 1291517 GAUGE, ENG SYNC 2" MLSS A/F
- 144857 SENDING UNIT, ENG SYNC MODULE (GAS)
- 3 1291418 GAUGE, TACH/LCDHOUR 3"6K GAS 12V MLSS A/F
- 4 1291459 GAUGE, SPEEDO 80 MPH 3" MLSS A/F
- 606087 TUBING, GAUGE 0.148"ID #7 HEAVY WALL
- 5 1291285 GAUGE, FUEL 2" SGL STA 12V MLSS A/F
- 6 1291277 GAUGE, VOLTMETER 10-16 MLSS A/F
- 7 1291509 GAUGE, WATER TEMP 220 DEG 12V MLSS A/F
- 8 1291327 GAUGE, OIL PRESS 0-80 2" 12V MLSS A/F
- 9 1291533 GAUGE, TRIM TELE (MERC) MLSS A/F
- 845818 PANEL, 280BR/SS-96 PROP TRIM PNL TWIN ENG
- 893461 PANEL, BLANK:280BR-96 TRIM TAB
- 10 847038 PANEL, 280BR MAIN DC BREAKER
- 848770 PANEL, BLANK:280BR-96 MAIN DC BRKR
- 11 826644 BRKR/ROCK, SGL-POLE MNL RESET DC 50A RED
- 12 228064 BRKR, MANUAL RESET KLIXON 105A
- 516823 BRKR, MANUAL RESET KLIXON 80A
- 13 826586 BRKR/ROCK, SGL-POLE MNL RESET DC 15A RED
- 14 826537 BRKR/ROCK, SGL-POLE MNL RESET DC 4A RED

INSTRUMENT / BREAKER PANEL (SINGLE ENGINE)



**INSTRUMENT / BREAKER PANEL (SINGLE ENGINE)****INSTRUMENT PANEL**

- 1 1291681 PANEL, 280-00 SGL ENG INST A/F
- 1355593 PANEL, BLANK:280SS-00 INST SGL
- 2 1291327 GAUGE, OIL PRESS 0-80 2" 12V MLSS A/F
- 3 1291434 GAUGE, SPEEDO 50 MPH 3" MLSS A/F
- 606087 TUBING, GAUGE 0.148"ID #7 HEAVY WALL
- 4 1291418 GAUGE, TACH/LCDHOUR 3"6K GAS 12V MLSS A/F
- 5 1291509 GAUGE, WATER TEMP 220 DEG 12V MLSS A/F
- 6 1291277 GAUGE, VOLTMETER 10-16 MLSS A/F
- 7 1291533 GAUGE, TRIM TELE (MERC) MLSS A/F
- 8 1291285 GAUGE, FUEL 2" SGL STA 12V MLSS A/F

**SWITCH PANEL**

- 9 1204197 PANEL, 280-99 SWITCH
- 1287101 PANEL, BLANK:280-99 SWITCH
- 10 681486 ACTUATOR, ROCK BLK W/O LENS ACCY
- 773879 BODY, ROCK SW DPDT (MOM) BLK W/O JUMPER
- 11 742296 DEPTH FINDER, LOWRANCE 3500 GREY W/O BEZEL
- 894170 TRANSDUCER, 20DEG THRU-HULL W/ URETHANE FACE
- 987693 DEPTH FINDER, BEZEL GRY W/CHR OVERLAY
- 12 679324 ACTUATOR, ROCK BLK W/BLEU LENS ACCY
- 679340 BODY, ROCK SW 'V' OFF-20N-20N 12V INC
- 13 522805 KNOB, DIMMER SWITCH BLACK (ALCOSWITCH)
- 657965 SWITCH, DIMMER CONSOLE-RHEOSTAT
- 14 679324 ACTUATOR, ROCK BLK W/BLEU LENS ACCY
- 648097 BODY, ROCK SW SPST BLK 12V INCAND
- 15 759084 ACTUATOR, ROCK VERT BLK W/RED HORN SYMBOL
- 679332 BODY, ROCK SW SPST MOM

**BREAKER PANEL**

- 16 894469 PANEL, 280-96 CNTRL STN CIRC BRKR
- 842005 SUPPOT, P/B 280 HELM BRKR PANEL DOOR
- 17 533026 BRKR, P/BTN-MANUAL RESET 10A W/SCREW TER
- 18 799296 BRKR, P/BTN-MANUAL RESET 6A W/SCREW TER
- 19 775783 BRKR, P/BTN-MANUAL RESET 15A W/SCREW TER
- 839969 BRKR, P/BTN-MANUAL RESET 25A W/SCREW TER
- 20 775759 BRKR, P/BTN-MANUAL RESET 20A W/SCREW TER
- 21 775767 BRKR, P/BTN-MANUAL RESET 5A W/SCREW TER

**IGNITION SWITCH PANEL**

- 14 679324 ACTUATOR, ROCK BLK W/BLEU LENS ACCY
- 648097 BODY, ROCK SW SPST BLK 12V INCAND
- 22 1131853 PANEL, 280-99 SGL ENG IGN GAS
- 1296920 PANEL, BLANK:280-99 SGL ENG IGN GAS
- 23 557785 SWITCH, IGN STARTER
- 24 179853 LIGHT, INDICATOR GREEN 15V

**ACCESSORY PANEL**

- 25 1131861 PANEL, 260/280-99 ACCY
- 26 263376 CONTROL, SEARCH LIGHT W/O HARNESS

**TRIM TAB PANEL**

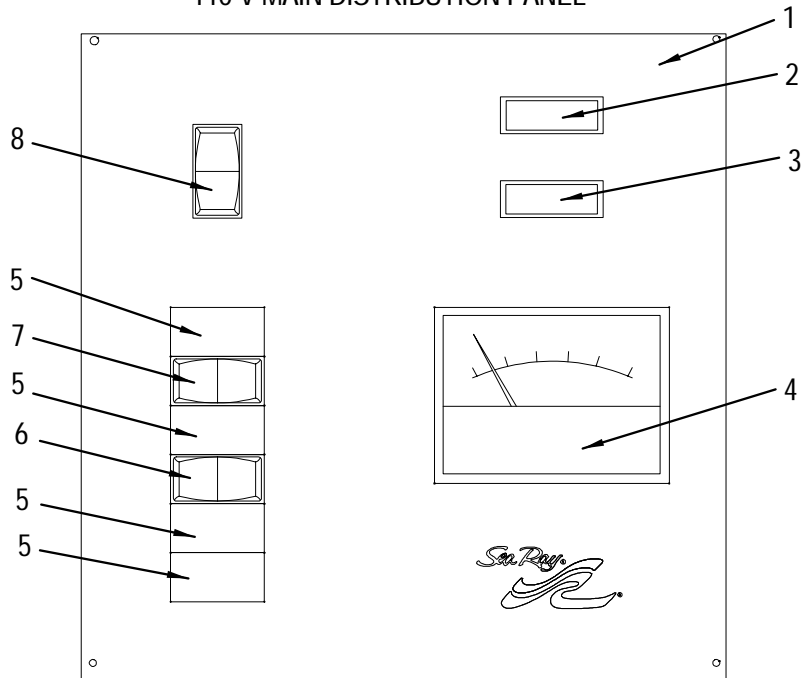
- 27 849356 PANEL, 260/280-96 TRIM TAB
- 1010982 PANEL, BLANK:260/280-96 TRIM TAB
- 28 709501 ACTUATOR, ROCK VERT BLK W/O LENS TRIM TABS
- 709493 BODY, ROCK SW DPDT (MOM) CEN-OFF W/O LAMP

**NOT SHOWN**

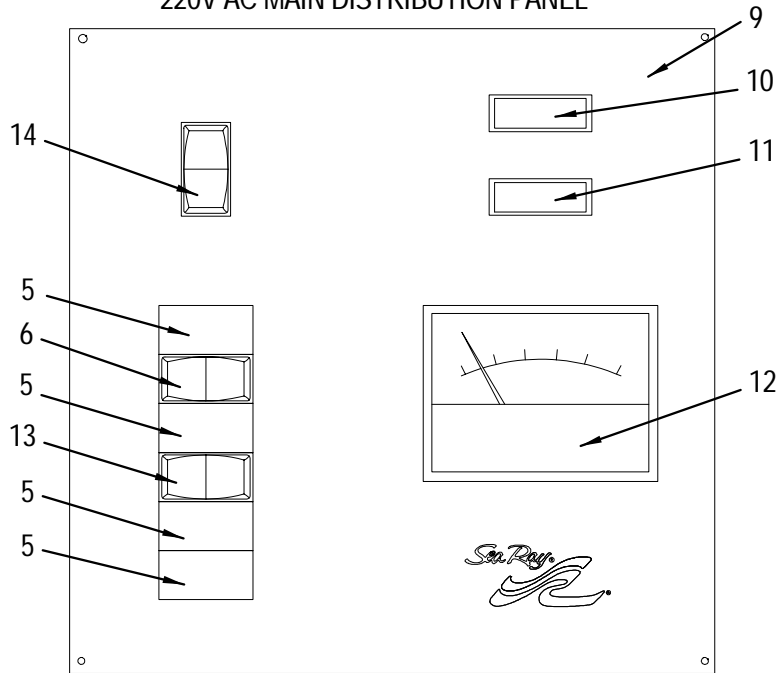
- 1329812 HARNESS, 280SS-00 MAIN BOAT SNGL
- 140327 ALARM, BUZZER HIGH WATER
- 324335 RECEPTACLE, FEMALE 12V
- 798595 HARNESS, ACCY HATCH LIFT PIGTAIL

AC MAIN DISTRIBUTION PANELS (110/60HZ, 220/50HZ)

110 V MAIN DISTRIBUTION PANEL



220V AC MAIN DISTRIBUTION PANEL



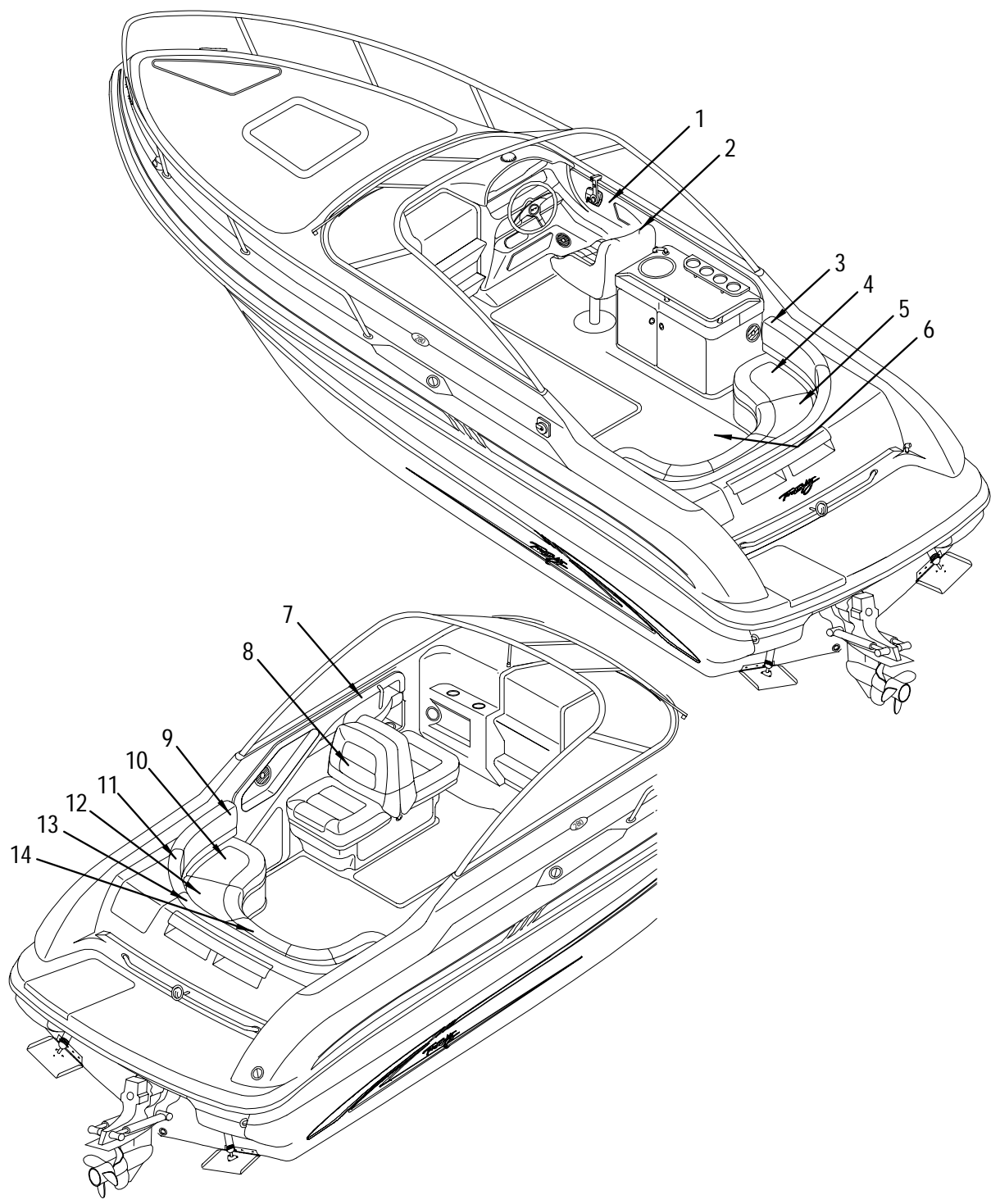
**AC MAIN DISTRIBUTION PANELS (110/60HZ,  
220/50HZ)**

- 1 841700 PANEL, 280BR-96 MDP 120V
- 1355635 PANEL, BLANK:280-00 MDP 120V
- 2 572529 LIGHT, POLARITY GRN 125V
- 3 557611 LIGHT, POLARITY RED 125V
- 4 468249 GAUGE, VOLTMETER AC 0-150 ANALOG WINDOW MOUNT
- 5 762922 PLUG, BRKR/ROCK BLK
- 6 332593 BRKR/ROCK, SGL-POLE AC/DC HORZ 10A WHT
- 7 331991 BRKR/ROCK, SGL-POLE AC/DC HORZ 20A WHT
- 8 648873 BRKR/ROCK, 2-POLE AC/DC VERT 30A WHT
- 9 841718 PANEL, 280BR-96 MDP 220V
- 1355643 PANEL, BLANK:280-00 MDP 220V
- 10 557603 LIGHT, POLARITY GRN 220V
- 11 557629 LIGHT, POLARITY RED 220V
- 12 468207 GAUGE, VOLTMETER AC 0-300 ANALOG WINDOW MOUNT
- 13 353326 BRKR/ROCK, SGL-POLE AC/DC HORZ 5A WHT
- 14 440354 BRKR/ROCK, 2-POLE AC/DC VERT 20A WHT

**NOT SHOWN**

- 846881 ANTENNA, 42" GLOMEX SS RA106 W/O MT
- 179580 BUSS BAR, COPPER 1/8"X 1/2"X 6" W/10-32 HOLES
- 179606 BUSS BAR, DELRON SPACER

COCKPIT UPHOLSTERY



---

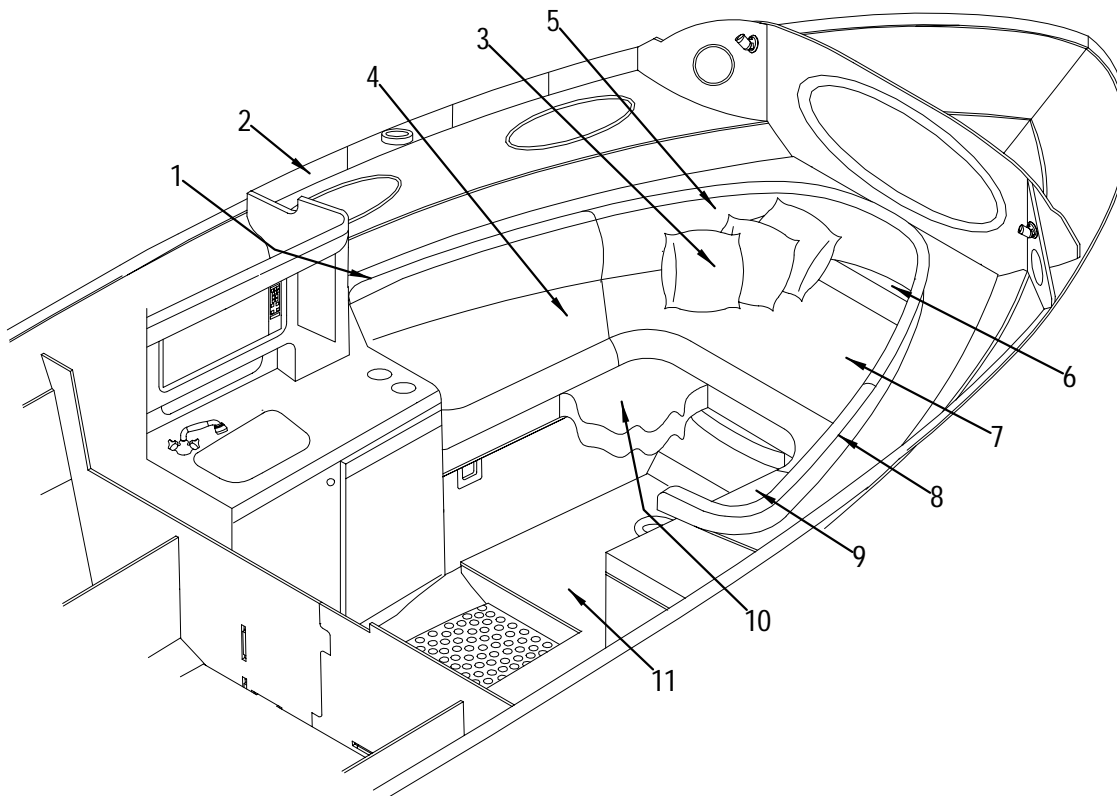
**COCKPIT UPHOLSTERY**

- 1 1317494 PANEL, 280CC/SS-00 CKPT STBD SGL WHT
- 1317486 PANEL, 280CC/SS-00 CKPT STBD TWIN WHT
- 748236 EMBLEM, "SEA RAY" SCRIPT GOLD 5"
- 908608 PANEL, LEXAN 280 LRG STBD W/2 DRINKHLDR
- 2 1326743 BKT SEAT, 280BR/SS-00 W/THRS GSW
- 1141183 SLIDE ASSY, SEAT MILLENNIUM 10.5" MNT HOLES
- 1324201 PEDESTAL, ALUM 16" RIBBED W/DELCUP
- 3 1317353 BOLSTER, 280BR/SS-00 AFTCIR STBD WHT
- 1365220 BOLSTER, 280BR/SS-00 AFTCIR STBD SKIN
- 4 1313451 CUSH, 280BR/SS-00 AFTCIR STBD FWD WHT
- 1355973 CUSH, 280BR/SS-00 AFTCIRC STBD FWD SKIN WHT
- 5 1313469 CUSH, 280BR/SS-00 AFTCIR STBD AFT WHT
- 1355981 CUSH, 280BR/SS-00 AFTCIR STBD AFT SKIN WHT
- 6 1356765 280SS 00, CARPET, SNPIN CMPLT (OPTIONAL)HIN#
- 1356773 280SS 00, CARPET, SNPIN AFT HIN#
- 1356807 280SS 00, CARPET, SNPIN CTR CKPT HIN#
- 1356781 280SS 00, CARPET, SNPIN HELM (FWD STBD)HIN#
- 1224088 CARPET, EXT 28 OZ DUNE MARBLE #903 RL
- 1163864 SNAP SOCKET, W/ 1/8" HOLE
- 1163872 SNAP BUTTON, W/ 1/8" BARREL
- 154401 SNAP BUTTON, W/1/4" BARREL
- 839720 BINDING, CANVAS 1" LINEN BIAS SUNBRELLA
- 774513 VINYL FILM, PLAS .040"X 1.25"X 30YD
- 7 1487297 PANEL, 280SS-01 CKPT STBD SGL WHT REV1
- 8 1317320 B/B SEAT, 280-00 PORT W/TRACK ASSY WHT
- 1356195 B/R, 280-00 B/B SEAT F/A SEAWHT/GLD
- 1356203 B/R, 280-00 B/B SEAT F/A SKIN
- 1093715 280CC/SS,HINGE,B/B PRT 1/8"X 3"X 16"
- 1093723 280CC/SS,HINGE,B/B PRT 1/8"X 1 5/8"X 17"(2)
- 9 1317346 BOLSTER, 280BR/SS-00 AFTCIR PORT WHT
- 1356179 BOLSTER, 280BR/SS-00 AFTCIR PORT SKIN WHT
- 10 1313238 CUSH, 280BR/SS-00 AFTCIR PORT FWD WHT
- 1356161 CUSH, 280BR-00 AFTCIR PORT FWD SKN WHT
- 11 1317502 BOLSTER, 280BR/SS-00 AFTCIR T/DOOR WHT
- 1356138 BOLSTER, 280BR/SS-00 AFTCIR T/DOOR SKIN WHT
- 1317361 BOLSTER, 280BR/SS-00 AFTCIR T/DOOR LWR WHT
- 1356153 BOLSTER, 280BR/SS-00 AFT CIR T/DOOR LWR SKIN
- 12 1313253 CUSH, 280BR/SS-00 AFTCIR PORT AFT WHT
- 1356120 CUSH, 280BR/SS-00 AFT CIR PORT AFT SKIN WHT
- 13 1317338 BOLSTER, 280BR/SS-00 AFTCIR CTR WHT
- 1356112 BOLSTER, 280BR/SS-00 AFT CIR CTR SKIN WHT
- 14 1313220 CUSH, 280BR/SS-00 AFTCIR CTR WHT
- 1356096 CUSH, 280BR/SS-00 AFTCIR CTR SKIN WHT
- 1313147 CUSH, 280BR-00 AFTCIR FILLER WHT
- 1356104 CUSH, 280BR/SS-00 AFTCIR FILLER SKIN WHT

**NOT SHOWN**

- 833574 VELCRO, HOOK NYLON SQUARE W/PROTRUDING SHANK
- 833566 VELCRO, LOOP VINYL DISC 1 1/8"DIA

**INTERIOR UPHOLSTERY**



**INTERIOR UPHOLSTERY**

- 1 1356831 280SS 00, BOLSTER, VBERTH PORT HIN#
- 1356849 280SS 00, BOLSTER SKIN, VBERTH PORT HIN#
- 2 1356856 280SS 00, MUFF, GULWALE P/S HIN#
- 1142116 FABRIC, FIRENZA GRN-6"DIA QLT 100Z/AC/B
- 1142132 FABRIC, FIRENZA BLUE-6"DIA QLT 100Z/AC/B
- 1258169 FABRIC, AUTUMN VAN-6"DIA QLT 100Z/AC/B
- 1258177 FABRIC, ESPANA-6"DIA QLT 100Z/AC/B
- 3 1271154 PILLOW PKG, 2000 280CC/SS PKG-A (3)
- 1271162 PILLOW PKG, 2000 280CC/SS PKG-B (3)
- 1271170 PILLOW PKG, 2000 280CC/SS PKG-C (3)
- 1271188 PILLOW PKG, 2000 280CC/SS PKG-D (3)
- 4 1356864 280SS 00, CUSH, VBERTH PORT HIN#
- 1356872 280SS 00, CUSH SKIN, VBERTH PORT HIN#
- 5 1356880 280SS 00, BOLSTER, VBERTH CTR HIN#
- 1356898 280SS 00, BOLSTER SKIN, VBERTH CTR HIN#
- 6 1356906 280SS 00, MUFF, VBERTH CTR CUSH HIN#
- 1356914 280SS 00, MUFF SKIN, VBERTH CTR CUSH HIN#
- 7 1356922 280SS 00, CUSH, VBERTH CTR HIN#
- 1356930 280SS 00, CUSH SKIN, VBERTH CTR HIN#
- 8 1356948 280SS 00, BOLSTER, VBERTH STBD HIN#
- 1356955 280SS 00, BOLSTER SKIN, VBERTH STBD HIN#
- 9 1356963 280SS 00, CUSH, VBERTH STBD HIN#
- 1356971 280SS 00, CUSH SKIN, VBERTH STBD HIN#
- 10 1356989 280SS 00, CUSH, VBERTH FILLER HIN#
- 1356997 280SS 00, CUSH SKIN, VBERTH FILLER HIN#

- 10 132100 TUBE, ALUM RECT 1"X 2"
- 221333 SUPPORT, ALUM BAR 3 3/8"X 1 5/8"X 1/16"
- 11 1148170 CARPET, INT 40 OZ SUN RISE #9007-B BT

**HEAD/ HULL LINER**

- 1140375 VINYL, RVIEW LT CAMEO NW 1/4"FB W/DOW
- 1140367 VINYL, RVIEW LT CAMEO N/W FLAT

**V-BERTH FABRIC**

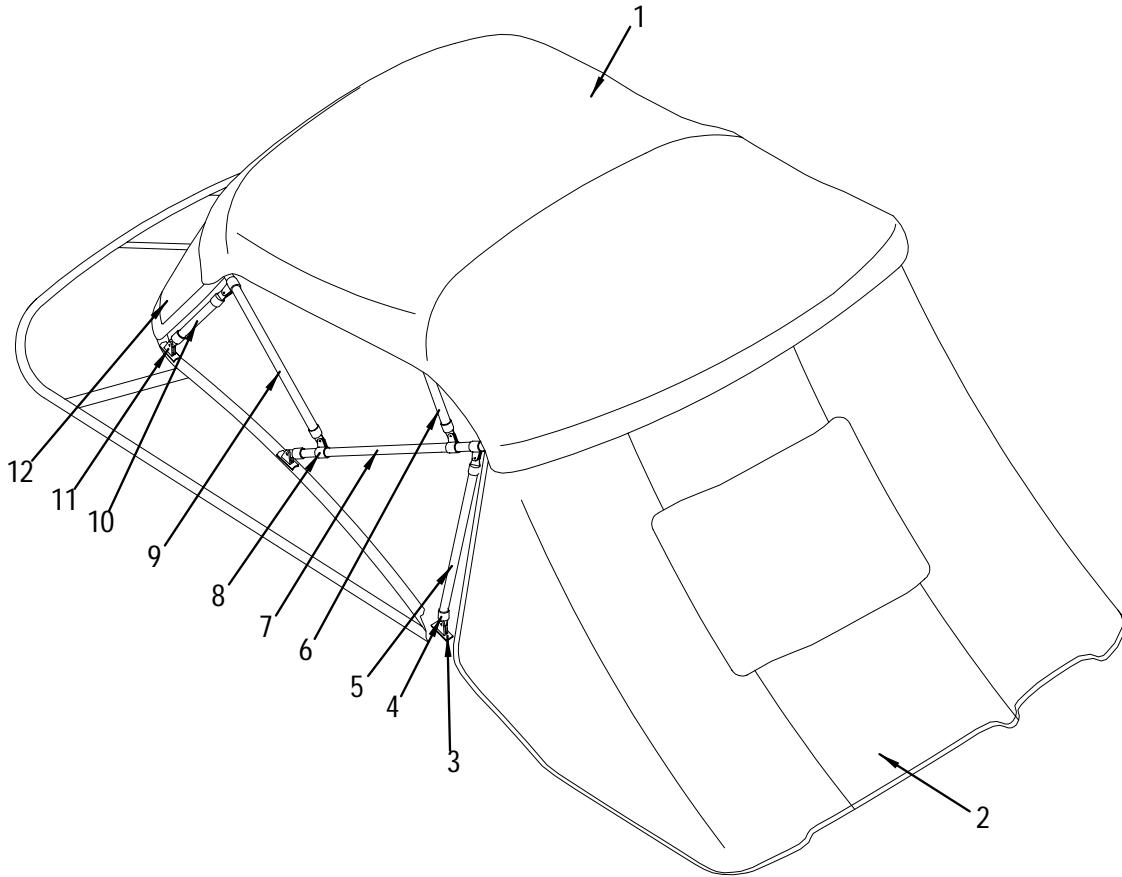
- 1142165 VINYL, ALLANTE II WHT SAND EXP FLAT
- 1144914 FABRIC, NEW SUEDE OYSTER FLAT
- 1145374 FABRIC, NEW SUEDE SAND FLAT

**WASHABLE SURFACE**

- 1140375 VINYL, RVIEW LT CAMEO NW 1/4"FB W/DOW
- 1140367 VINYL, RVIEW LT CAMEO N/W FLAT



CANVAS (Bimini)



**CANVAS (BIMINI)**

1	1278720	CANVAS, 280BR/CC/SS-00 BIM TOP TOAST
	1195627	CANVAS, 280BR/SS-99 BIM TOP MEDB
	1130269	CANVAS, 280BR/SS-99 BIM TOP HNTR
	1278746	CANVAS, 280BR/SS-00 BIM TOP BOOT TOAST
	1195619	CANVAS, 280BR/SS-99 BIM TOP BOOT MEDB
	1130285	CANVAS, 280BR/SS-99 BIM TOP BOOT HNTR
	1276898	CANVAS, 280BR/CC/SS-00 BIM TOP FAB TOAST
	1201631	CANVAS, 280-99 BIM TOP FAB MEDB
	1130277	CANVAS, 280-99 BIM TOP FAB HNTR
2	1328541	CANVAS, 280SS-00 BIM TOP AFT CURT TOAST
	1339423	CANVAS, 280SS-00 BIM TOP AFT CURT MEDB
	1328830	CANVAS, 280SS-00 BIM TOP AFT CURT HNTR
3	174995	HINGE, DECK FLAT 1" CONV TOP SS
	720201	PIN, PULL 3/16" W/CABLE
	464115	LANYARD, 6" W/TAB
4	221085	CAP, SS EYE END 7/8"
5	848895	CANVAS, 280BR-96 BIM TOP REAR STANCH
6	848861	CANVAS, 280BR-96 BIM TOP BOW3 N/HDWR
7	848838	CANVAS, 280BR-96 BIM TOP BOWS W/HDWR
	848846	CANVAS, 280-96 BIM TOP MAIN BOW N/HDWR
	848879	CANVAS, 280BR-96 BIM TOP HDWR MNT PKG
8	439307	SLIDE, JAW SLIDE 7/8"
9	848853	CANVAS, 280BR-96 BIM TOP BOW2 N/HDWR
10	848887	CANVAS, 280BR-96 BIM TOP FWD STANCH
11	174953	HINGE, DECK CONCAVE 1" SS CONV TOP
	720201	PIN, PULL 3/16" W/CABLE
	464115	LANYARD, 6" W/TAB
12	1279678	CANVAS, 280BR/SS-00 SPORT BIM VSR CLR/TST 3PC
	1339340	CANVAS, 280BR/SS-00 BIM VISOR CLEAR/MEDB 3PC
	1339332	CANVAS, 280BR/SS-00 BIM VISOR CLEAR/HNTR 3PC
	1355783	CANVAS, 280-00 BIM VISOR CLEAR/TOAST PORT
	1195643	CANVAS, 280-99 BIM VISOR CLEAR/MEDB PORT
	1130343	CANVAS, 280-99 BIM VISOR CLEAR/HNTR PORT
	1355791	CANVAS, 280-00 BIM VISOR CLEAR/TOAST CTR
	1195635	CANVAS, 280-99 BIM VISOR CLEAR/MEDB CTR
	1130368	CANVAS, 280-99 BIM VISOR CLEAR/HNTR CTR
	1355809	CANVAS, 280-00 BIM VISOR CLEAR/TOAST STBD
	1195650	CANVAS, 280-99 BIM VISOR CLEAR/MEDB STBD
	1130350	CANVAS, 280-99 BIM VISOR CLEAR/HNTR STBD

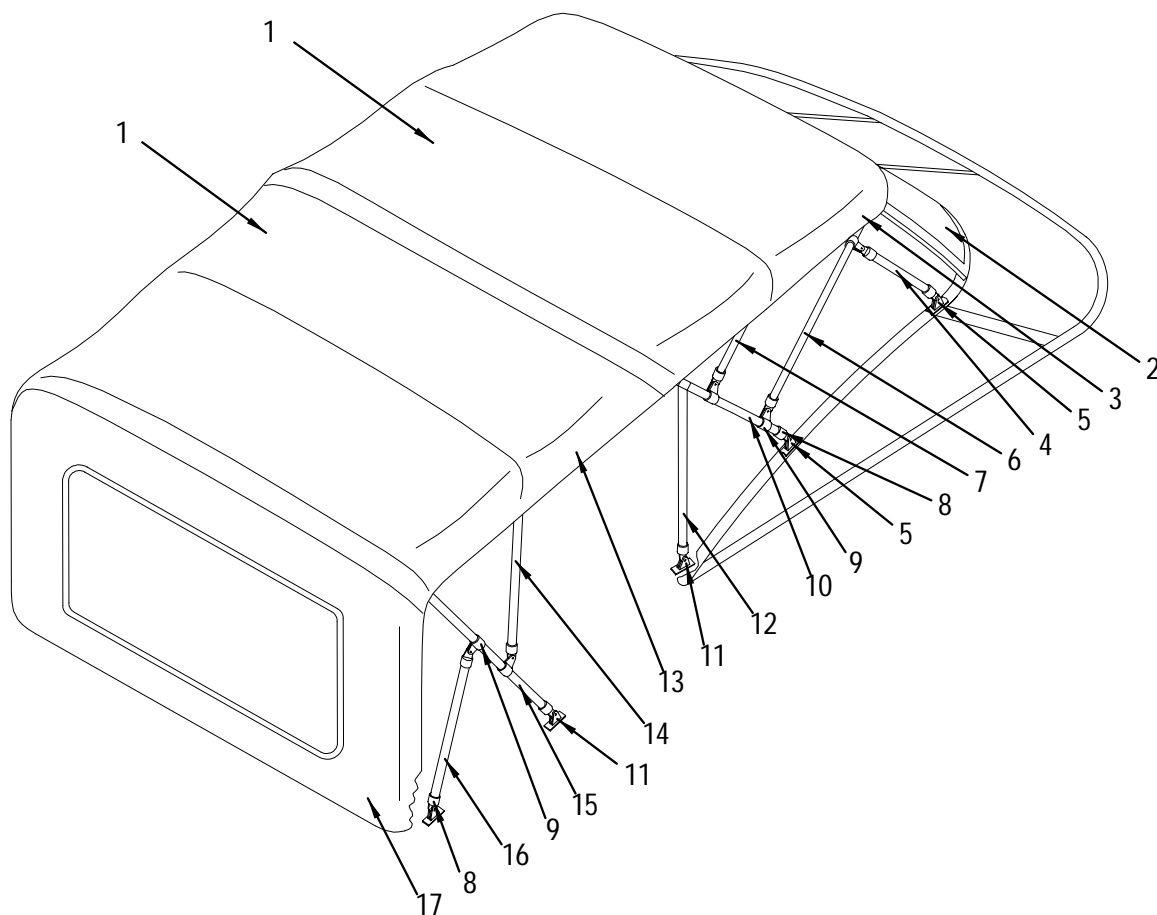
**NOT SHOWN**

1180025	CANVAS, SUNBRELLA TOAST TWEED 60"
1180033	CANVAS, SEAMARK TOAST TWEED 60" W/BC
1256932	BINDING, CANVAS 7/8" TOAST TWEED SUNBRELLA
1279793	CANVAS, 280SS-00 CARPET RUNNER TOAST

**SIDE CURTAIN SET**

1278712	CANVAS, 280BR/SS-00 BIM SIDE CURT SET TOAST
1339316	CANVAS, 280BR/SS-00 BIM SIDE CURT SET HNTR
1339324	CANVAS, 280BR/SS-00 BIM SIDE CURT SET MEDB

CANVAS (CAMPER PACKAGE, OPTIONAL)



**CANVAS (CAMPER PACKAGE, OPTIONAL)****SIDE CURTAIN SET (continued)**

1	1279694	CANVAS, 280SS-00 CAMP CMPLT TOAST
	1195791	CANVAS, 280CC/SS-99 CAMP CMPLT MEDB
	1130509	CANVAS, 280CC/SS-99 CAMP CMPLT HNTR
	1278704	CANVAS, 280BR/CC/SS-00 CAMP CMPLT FAB TOAST
	1195676	CANVAS, 280BR-99 CAMP CMPLT FAB MEDB
	1130384	CANVAS, 280BR-99 CAMP CMPLT FAB HNTR
2	1279678	CANVAS, 280BR/SS-00 SPORT BIM VSR CLR/TST 3PC
	1339340	CANVAS, 280BR/SS-00 BIM VISOR CLEAR/MEDB 3PC
	1339332	CANVAS, 280BR/SS-00 BIM VISOR CLEAR/HNTR 3PC
	1355783	CANVAS, 280-00 BIM VISOR CLEAR/TOAST PORT
	1195643	CANVAS, 280-99 BIM VISOR CLEAR/MEDB PORT
	1130343	CANVAS, 280-99 BIM VISOR CLEAR/HNTR PORT
	1355791	CANVAS, 280-00 BIM VISOR CLEAR/TOAST CTR
	1195635	CANVAS, 280-99 BIM VISOR CLEAR/MEDB CTR
	1130368	CANVAS, 280-99 BIM VISOR CLEAR/HNTR CTR
	1355809	CANVAS, 280-00 BIM VISOR CLEAR/TOAST STBD
	1195650	CANVAS, 280-99 BIM VISOR CLEAR/MEDB STBD
	1130350	CANVAS, 280-99 BIM VISOR CLEAR/HNTR STBD
3	1278720	CANVAS, 280BR/CC/SS-00 BIM TOP TOAST
	1195627	CANVAS, 280BR/SS-99 BIM TOP MEDB
	1130269	CANVAS, 280BR/SS-99 BIM TOP HNTR
	1276898	CANVAS, 280BR/CC/SS-00 BIM TOP FAB TOAST
	1201631	CANVAS, 280-99 BIM TOP FAB MEDB
	1130277	CANVAS, 280-99 BIM TOP FAB HNTR
	1278746	CANVAS, 280BR/SS-00 BIM TOP BOOT TOAST
	1195619	CANVAS, 280BR/SS-99 BIM TOP BOOT MEDB
	1130285	CANVAS, 280BR/SS-99 BIM TOP BOOT HNTR
4	848887	CANVAS, 280BR-96 BIM TOP FWD STANCH
5	174953	HINGE, DECK CONCAVE 1" SS CONV TOP
	720201	PIN, PULL 3/16" W/CABLE
	464115	LANYARD, 6" W/TAB
6	848853	CANVAS, 280BR-96 BIM TOP BOW2 N/HDWR
7	848861	CANVAS, 280BR-96 BIM TOP BOW3 N/HDWR
8	221085	CAP, SS EYE END 7/8"
9	439307	SLIDE, JAW SLIDE 7/8"
10	848838	CANVAS, 280BR-96 BIM TOP BOWS W/HDWR
	848846	CANVAS, 280-96 BIM TOP MAIN BOW N/HDWR
	848879	CANVAS, 280BR-96 BIM TOP HDWR MNT PKG
11	174995	HINGE, DECK FLAT 1" CONV TOP SS
	720201	PIN, PULL 3/16" W/CABLE
	464115	LANYARD, 6" W/TAB
12	848895	CANVAS, 280BR-96 BIM TOP REAR STANCH
13	1279769	CANVAS, 280CC/SS-00 CAMP TOP TOAST
	1195825	CANVAS, 280CC/SS-99 CAMP TOP MEDB
	1130525	CANVAS, 280CC/SS-99 CAMP TOP HNTR
	1279595	CANVAS, 280BR-00 CAMP TOP FAB TOAST
	1185313	CANVAS, 280CC/SS-99 CAMP TOP FAB MEDB
	1130533	CANVAS, 280CC/SS-99 CAMP TOP FAB HNTR
	1279744	CANVAS, 280SS-00 CAMP TOP BOOT TOAST
	1195817	CANVAS, 280CC/SS-99 CAMP TOP BOOT MEDB
	1130541	CANVAS, 280CC/SS-99 CAMP TOP BOOT HNTR
14	908269	CANVAS, 280CC/SS-96 CAMP TOP BOW2 N/HDWR
	908244	CANVAS, 280CC/SS-96 CAMP TOP BOWS W/HDWR
15	908251	CANVAS, 280CC/SS-96 CAMP TOP MAIN BOW N/HDWR
16	908285	CANVAS, 280CC/SS-96 CAMP TOP REAR STANCH
	908277	CANVAS, 280CC/SS-96 CAMP TOP MNT PKG
17	1278837	CANVAS, 280BR-00 CAMP AFT CURT TOAST
	1197086	CANVAS, 280BR-99 CAMP AFT CURT MEDB
	1130459	CANVAS, 280BR-99 CAMP AFT CURT HNTR

1197110	CANVAS, 280CC/SS-99 CAMP SIDE CURT PORT MEDB
1130566	CANVAS, 280CC/SS-99 CAMP SIDE CURT PORT HNTR
1279736	CANVAS, 280CC/SS-00 CAMP SIDE CURT STBD TOAST
1197136	CANVAS, 280CC/SS-99 CAMP SIDE CURT STBD MEDB
1130574	CANVAS, 280CC/SS-99 CAMP SIDE CURT STBD HNTR

**CARPET RUNNER (OPTIONAL)**

1250000	CANVAS, 280CC/SS-00 CARPET RUNNER TOAST
---------	---

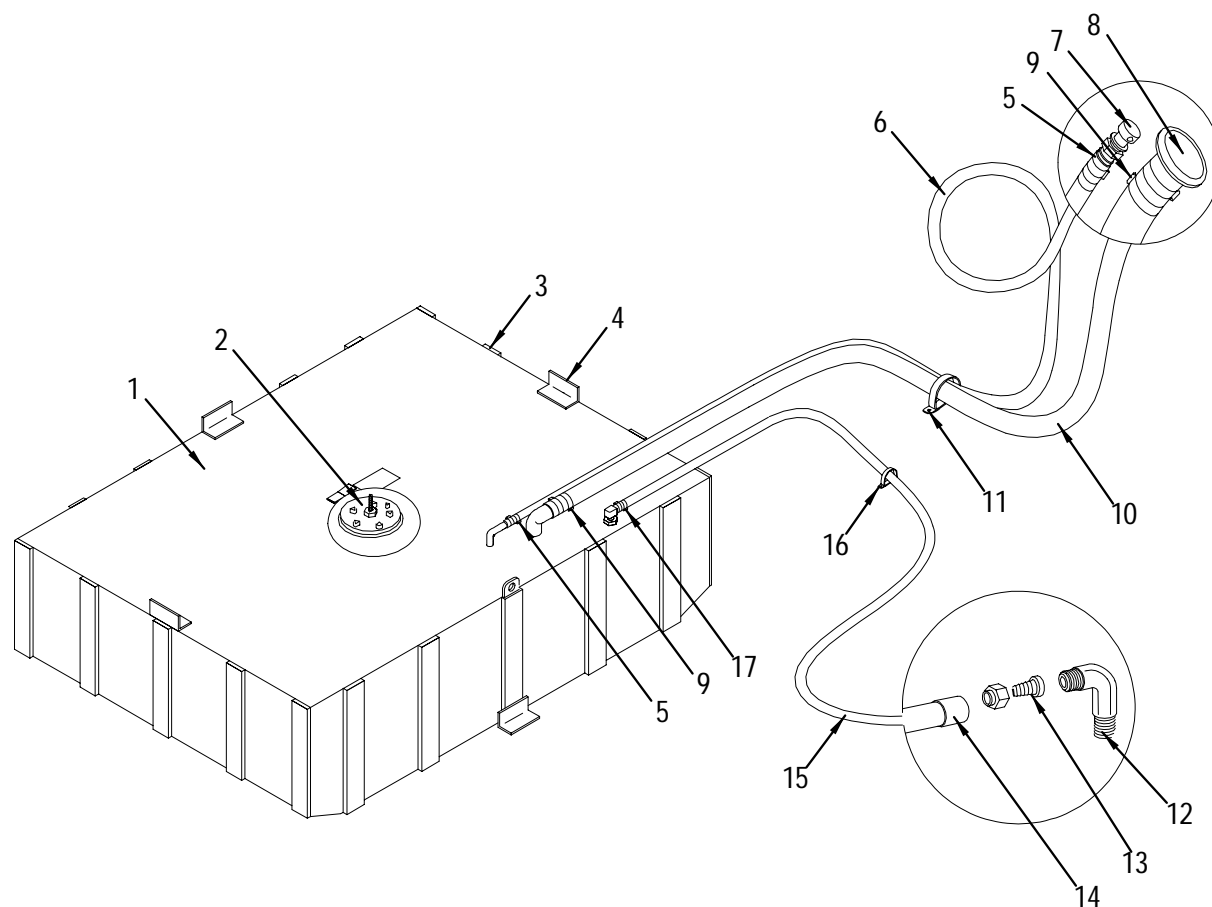
**NOT SHOWN**

1180025	CANVAS, SUNBRELLA TOAST TWEED 60"
1180033	CANVAS, SEAMARK TOAST TWEED 60" W/BC
1193762	CANVAS, SUNBRELLA MEDITERRANEAN TWEED 60"BLUE
1193770	CANVAS, SEAMARK MEDITERRANEAN TWEED 60"W/BC
1130061	CANVAS, SUNBRELLA HUNTER TWEED 60" GRN
1130079	CANVAS, SEAMARK HUNTER TWEED 60" W/BC
1256932	BINDING, CANVAS 7/8" TOAST TWEED SUNBRELLA
1195387	BINDING, CANVAS 7/8" MEDITERRANEAN TWEED SNBR
1130095	BINDING, CANVAS 7/8" HUNTER TWEED SNBRLA

**SIDE CURTAIN SET**

1279710	CANVAS, 280CC/SS-00 CAMP SIDE CURT SET TOAST
1195809	CANVAS, 280CC/SS-99 CAMP SIDE CURT SET MEDB
1130558	CANVAS, 280CC/SS-99 CAMP SIDE CURT SET HNTR
1279728	CANVAS, 280CC/SS-00 CAMP SIDE CURT PORT TOAST

FUEL SYSTEM



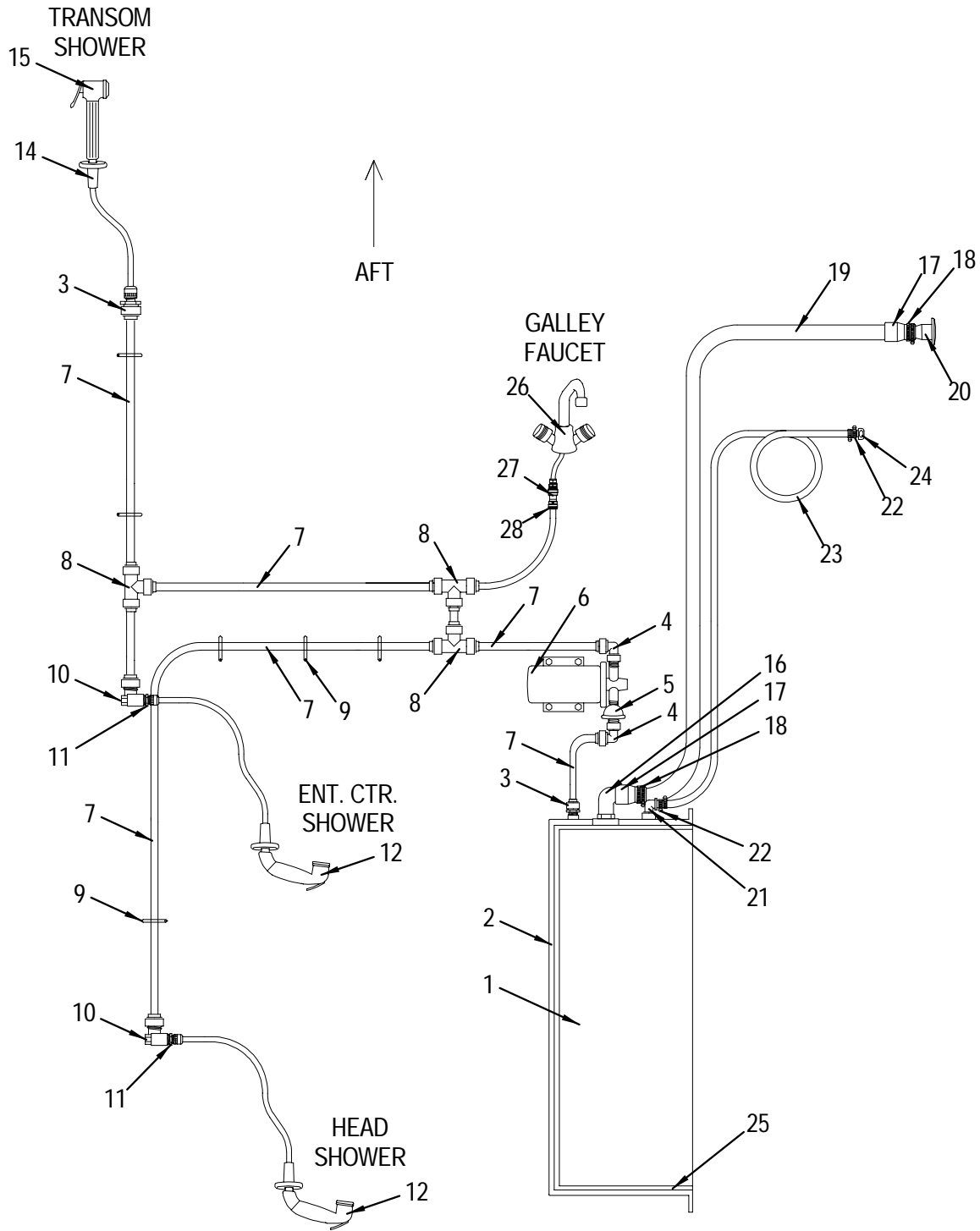
**FUEL SYSTEM**

1	844704	TANK, FUEL 280 130GAL SGL ENG .125THK
2	760694	SENDING UNIT, FUEL ROCHESTER ELEC 14 1/8"
3	485318	TAPE, FOAM CLSD-CELL NEOPRENE 3/8"TH X 2"W
4	676122	ANGLE, PVC 1.5"X 1.5"X 3/16" GREY
5	256677	CLAMP, HOSE #12 1/2"-1.25" SS .505
6	123778	HOSE, FUEL 5/8" TYPE A CLASS 2
7	126888	VENT, FUEL/WATER TANK 5/8"X 3"
	618702	GASKET, 1"OD X 3/4"ID X 1/16"
8	1109313	DECK PLATE, GAS SS 1.5" RED CLR-CODE
	522557	DECK PLATE, CAP W/CHAIN GAS/WATER
	522599	KEY, DECK PLATE CAP
9	256693	CLAMP, HOSE #24 1"-2" SS .505
10	123745	HOSE, FUEL 1.5" TYPE A CLASS 2
11	123604	CLAMP, LOOM VINYL DIP 2.5"
12	140467	ELBOW, BRASS 90DEG 3/8"SAE X 1/4"MPT
13	170589	FITTING, BRASS 3/8"BARB/NUT
14	139980	FERRULE, FUEL LINE 3/8"
15	684738	HOSE, FUEL 3/8" TYPE A CLASS 1
16	123612	CLAMP, LOOM VINYL DIP 11/16"
17	123398	CLAMP, HOSE #06M 5/16"-7/8" SS MINI

**NOT SHOWN**

124305	HOSE, CONDUIT/SPLIT 1" BLK
852533	LABEL, FUEL RECOMMENDATION
852632	LABEL, WARNING LEAKING FUEL
256701	CLAMP, HOSE #28 1 5/16"-2.25" SS .505

WATER SYSTEM



**WATER SYSTEM**

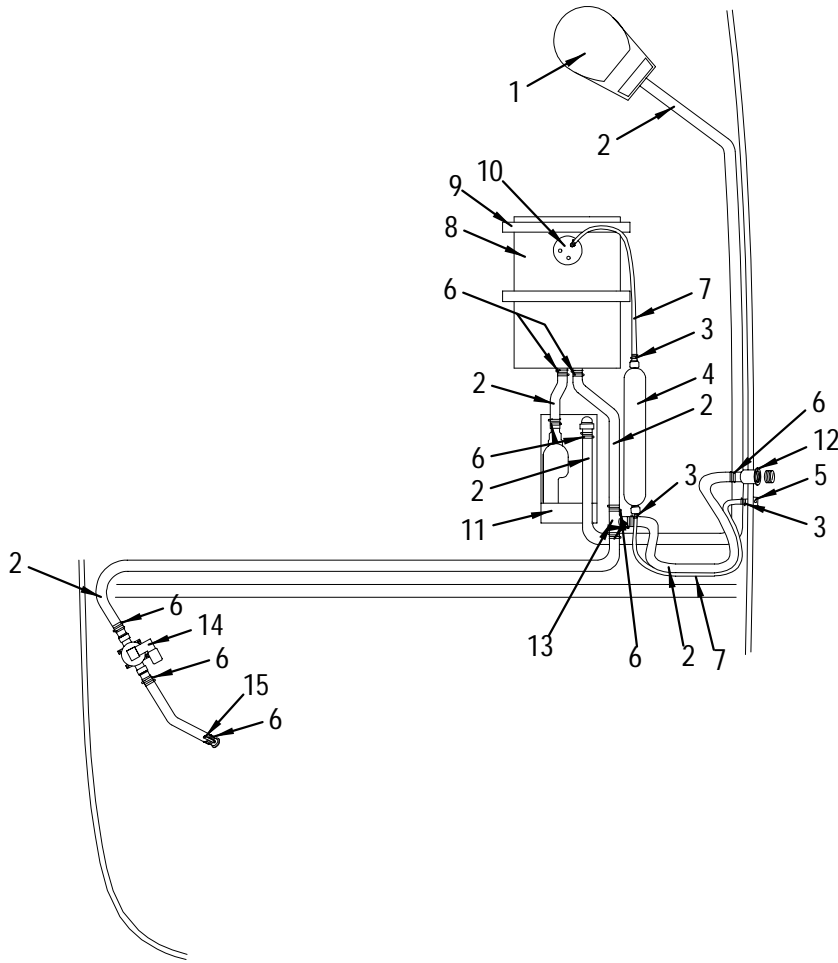
1	723163	TANK, WATER 270DA-94 - 24GAL
2	952713	BRACKET, ALUM 2"X 1/8"X 56 5/8" 3/8"HOLES
3	1210178	ADAPTER, SEATECH 1/2"F-15MM BRASS
4	1214840	ELBOW, SEATECH 90DEG STEM 15MM
5	406710	FILTER, IN-LINE WATER 1/2" FPT
6	1128164	PUMP, FRESH WATER SHURFLO 2.8GPM IMP
7	1210160	TUBING, SEATECH 15MM X 11MM X 250' BLUE
8	1214824	TEE, SEATECH EQUAL 15MM
9	123612	CLAMP, LOOM VINYL DIP 1 1/16"
10	1214840	ELBOW, SEATECH 90DEG STEM 15MM
11	785253	ADAPTER, NYLON 3/8"MPT X 1/2"MPT
12	266668	FAUCET, WHALE CKPT ENT CTR
13	1214832	ELBOW, SEATECH 90DEG EQUAL 15MM
14	124578	THRU-HULL, PLAS 1 1/8" WHT
15	1259084	SHOWER, SPRAY NOZZLE W/8"SS HOSE RV1
	772533	BOX, R/C 330DA-95 SHOWER CABINET
	846790	CLEAT, P/B 280 TRANSOM SHOWER HOSE BOX
16	167874	ELBOW, GENOVA 1/2"MPT X 1/2"BARB X 90DEG
17	172726	HOSE CUFF, 1.5" RH WHT
18	256693	CLAMP, HOSE #24 1"-2" SS .505
19	490219	HOSE, CORR SAN/WATER-FILL 1.5" RH
20	1109321	DECK PLATE, WATER SS BLUE CLR-CODE
	522557	DECK PLATE, CAP W/CHAIN GAS/WATER
	522599	KEY, DECK PLATE CAP
21	814830	ELBOW, PVC 1.5"MPT X 1.5"BARB X 90DEG MACHINE
22	123398	CLAMP, HOSE #06M 5/16"-7/8" SS MINI
23	124719	HOSE, SANI/CHEMICAL TDX 5/8"
24	126888	VENT, FUEL/WATER TANK 5/8"X 3"
	618702	GASKET, 1"OD X 3/4"ID X 1/16"
25	130690	TAPE, FOAM CLSD-CELL NEOPRENE 1/4"TH X 2"W
26	982173	FAUCET, GALLEY CLASSIC SHORT SPOUT W/HANDLES
27	593921	REDUCER, GENOVA 5/8"OD X 3/8"OD
28	1215243	ADAPTER, SEATECH 5/8"X 15MM

**NOT SHOWN**

124305	HOSE, CONDUIT/SPLIT 1" BLK
--------	----------------------------



**HEAD SYSTEM**

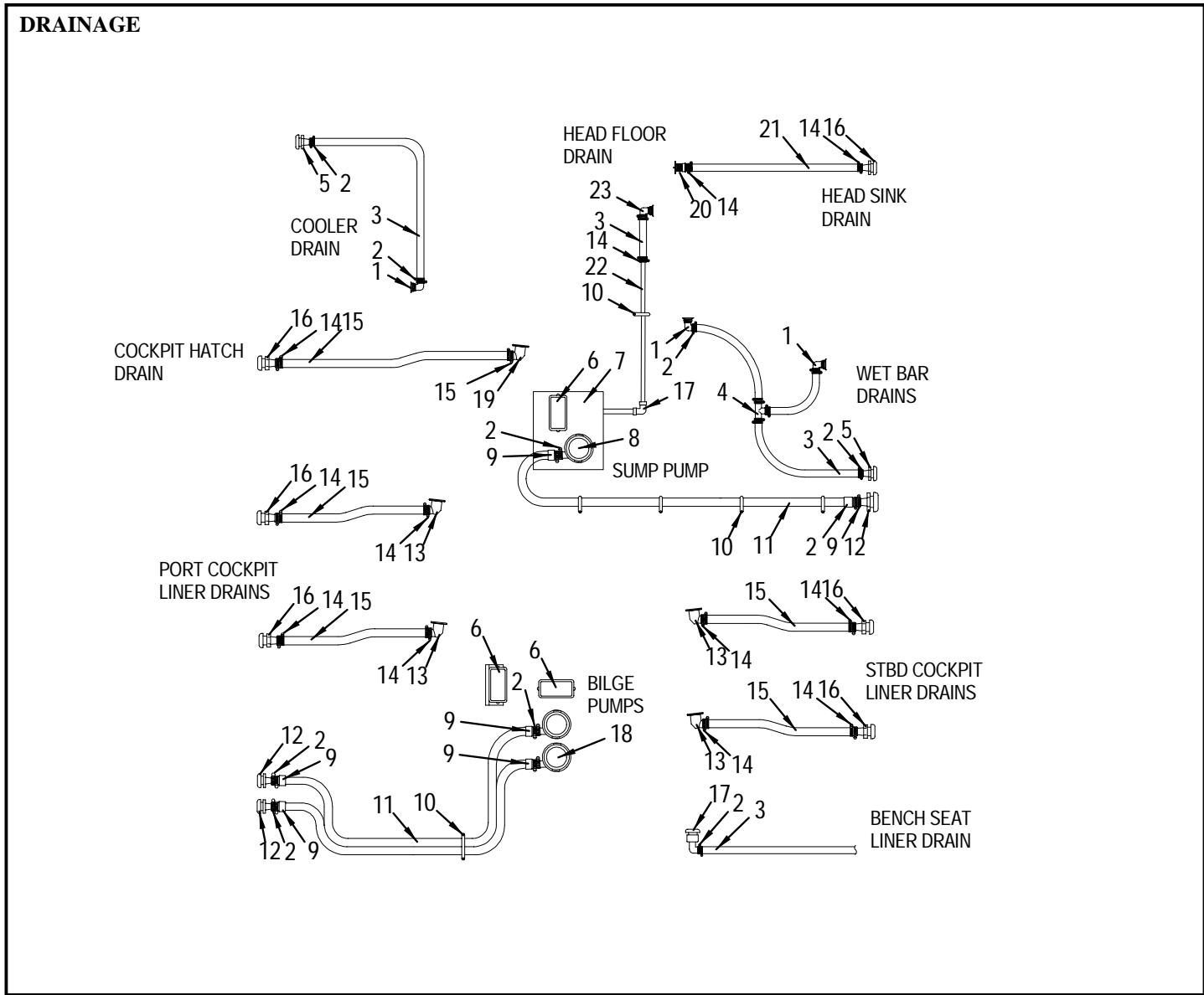


**HEAD SYSTEM**

- 1 1206895 HEAD, VACU-FLUSH BTM DISCHARGE BONE LOW PRFL
- 2 846899 HOSE, SANI 1.5" PREMIUM RBR BLK
- 3 256677 CLAMP, HOSE #12 1/2"-1.25" SS .505
- 4 134759 FILTER, HEAD TREATMENT SYSTEM
- 5 126888 VENT, FUEL/WATER TANK 5/8"X 3"
- 6 256693 CLAMP, HOSE #24 1"-2" SS .505
- 7 124719 HOSE, SANI/CHEMICAL TDX 5/8"
- 8 555433 TANK, HOLDING 20 GAL
- 9 132167 BAR, ALUM FLAT 1/4"X 2"X 12'
- 10 664813 SENDING UNIT, HOLD TANK CAP W/PROBE (3-POS)
- 11 844274 VACUUM GEN, HEAD SYS PUMP/ACCUM 12V
- 12 1109347 DECK PLATE, WASTE SS BLK CLR-CODE
- 13 141606 TEE, PVC 1.5" MACHINED INSERT TEE
- 14 134858 PUMP, HEAD SYS MACERATOR
- 15 518456 SEACOCK, BRZ 1.5" W/O TAILPIECE

**NOT SHOWN**

- 123604 CLAMP, LOOM VINYL DIP 2.5"



**DRAINAGE**

- 1 196618 DRAIN, W/PLUG 100DEG 3/4" BARB WHT
- 2 256677 CLAMP, HOSE #12 1/2"-1.25" SS .505
- 3 123877 HOSE, CORR SAN/WATER-FILL 3/4"
- 4 141523 TEE, PVC 3/4" BARB X 3/4" BARB X 3/4" BARB
- 5 182964 THRU-HULL, PLAS 3/4" WHT
- 6 815431 SWITCH, FLOAT SUREBAIL W/CONN
- 7 841908 LID, HDPE 280BR SUMP
- 8 804773 PUMP, BILGE V900 12VDC W/CONN
- 9 466615 HOSE CUFF, 1" RH WHT
- 10 123604 CLAMP, LOOM VINYL DIP 2.5"
- 11 675132 HOSE, CORR SAN/WATER-FILL 1 1/8" RH
- 12 124578 THRU-HULL, PLAS 1 1/8" WHT
- 13 791624 DRAIN, SCUPPER W/BALL 1.5" X 90DEG WHT
- 14 256693 CLAMP, HOSE #24 1"-2" SS .505
- 15 490219 HOSE, CORR SAN/WATER-FILL 1.5" RH
- 16 124537 THRU-HULL, PLAS 1.5" WHT
- 17 743286 ELBOW, PVC 1/2" FM SLIP X 1/2" FM SLIP X 90DEG
- 18 801373 PUMP, BILGE V1250 12VDC W/CONN
- 839357 BRACKET, BILGE PUMP HI-WATER
- 19 791673 THRU-HULL, PLAS 1.5" TUBE X 90DEG
- 20 146175 DRAIN ASSY, 1.25" DRAIN W/PLUG PLASTIC
- 21 123927 HOSE, CORR BILGE 1.25" BLK
- 22 170886 PIPE, PVC SCH 1/2" X 20'
- 23 196782 DRAIN ASSY, SHOWER 1.5"
- 344721 DRAIN ASSY, GASKET SHOWER SLIP NUT 1.5"

- 23 344762 DRAIN ASSY, SHOWER SLIP NUT 1.5"
- 408724 ELBOW, PVC 1.5" FLANGE X 3/4" BARB X 90DEG

**7.4L MPI BR 3 ( 310 PHP ) MCM STERN DRIVE**

141713 ADAPTER, BRASS 3/8" MPT X 5/8" BARB  
 723742 COVER, CLAMP END PROT .045" X .465-1/2" RED  
 169086 ELBOW, BRASS 90DEG STREET 1/2"  
 1086974 OUTDRIVE UNIT, MERC BRAVO III 2:1  
 1056555 S/D, MERC 300HP 7.4L MPI W/RSR BRAVO III

**454 MAG MPI BR 3 ( 385 PHP ) MCM STERN DR.**

849901 ACC PART, CAPT CALL BIG BLOCK POLISHED  
 679324 ACTUATOR, ROCK BLK W/BLEND LENS ACCY  
 141713 ADAPTER, BRASS 3/8" MPT X 5/8" BARB  
 648097 BODY, ROCK SW SPST BLK 12V INCAND  
 1028034 CABLE, CONTROL TELEFLEX 17' 600A/MERC SERIES  
 256750 CLAMP, HOSE #88 4.25"-6" SS. 505  
 723742 COVER, CLAMP END PROT .045" X .465-1/2" RED  
 169086 ELBOW, BRASS 90DEG STREET 1/2"  
 865196 EXHAUST, EL 4" X 90DEG W/18" PIPE EXT  
 1291467 GAUGE, SPEEDO 65 MPH 3" MLSS A/F  
 124107 HOSE, EXHAUST 4" SW  
 1086974 OUTDRIVE UNIT, MERC BRAVO III 2:1  
 708222 PROP, 14" X 26" SS BR3 RH  
 708214 PROP, 15.25" X 26" SS BR3 LH  
 1158724 S/D, MERC 385HP 454MAG MPI W/RSR BR III  
 830471 TANK, FUEL 280 128GAL TWIN ENG .1875THK

**T-5.7L BR 1 ( 250 PHP ) MCM STERN DRIVES**

961599 ACC PART, MERC COUPLING BRASS PWR STEER HOSE  
 144675 ADAPTER, BRASS 1/2" MPT X 5/8" BARB  
 842500 BOARD, P/B 280-96 BILGE COMPONENT  
 650507 BOOT, BATTERY CABLE 4/0 BLK 11/16"  
 650499 BOOT, BATTERY CABLE 4/0 RED 11/16"  
 992339 BRACKET, 280BR HATCH LIFT ACT SML  
 952960 BRACKET, ALUM 1.5" X 3" X 9.5" CHANNEL  
 908566 BRACKET, ALUM 2" X 2" X 1/4" X 7.5" W/5/8" HOLES 2  
 147561 BUSHING, SS THD 1/4" FPT X 1/2" MPT  
 130807 CABLE, BATT BLK #2/OAWG  
 184051 CABLE, BATT RED #2/OAWG  
 1335769 CABLE, CONTROL TELEFLEX TFXTRME 18'  
 1335777 CABLE, CONTROL TELEFLEX TFXTRME 20'  
 974170 CABLE, CONTROL TELEFLEX TFXTRME 21'  
 974162 CABLE, CONTROL TELEFLEX TFXTRME 24'  
 256750 CLAMP, HOSE #88 4.25"-6" SS. 505  
 360537 CONN, BATT LUG 2/0 NEG W/NUT/BOLT  
 360495 CONN, BATT LUG 2/0 POS W/NUT/BOLT  
 793257 CONN, RING 2/OGA X 3/8R BATT/CBL COP PLTD CLS  
 973586 CONTROL, CONVERTER KIT TELEFLEX-TO-MERC  
 559047 CONTROL, SHIFT ASSY HIGH PERF BLACK (LONG)  
 752568 CONTROL, THRTL ASSY TWIN HI-PERF BLK  
 1313188 CUSH KIT, 280SS-00 END OF LINE W/TWIN OPT  
 140467 ELBOW, BRASS 90DEG 3/8" SAE X 1/4" MPT  
 140418 ELBOW, BRASS 90DEG STREET 1/4"  
 139980 FERRULE, FUEL LINE 3/8"  
 170589 FITTING, BRASS 3/8" BARB/NUT  
 1204171 HARNESS, 280CC/SS-99 TE MAIN BOAT  
 130435 HOLDER, BATTERY GR27 BLK NYLON W/SS  
 684738 HOSE, FUEL 3/8" TYPE A CLASS 1  
 852624 LABEL, STAY CLEAR OF MOVING PARTS  
 1086982 OUTDRIVE UNIT, MERC BRAVO I 1.50:1  
 1291699 PANEL, 280-00 TWIN ENG INST A/F  
 1204213 PANEL, 280-99 CNTRL STN CIRC BRKR  
 1204205 PANEL, 280-99 TWIN ENG IGN  
 845818 PANEL, 280BR/SS-96 PROP TRIM PNL TWIN ENG  
 1261528 PLATE, BACKING 1/4" X 2" X 7.5" ALUM  
 279406 PROP, 14" X 19" VENGEANCE LH  
 169672 PROP, 14" X 19" VENGEANCE RH  
 1314046 S/D, MERC 250HP 5.7L W/RSR/ROIL BRI  
 144881 SOLENOID, EMERG START  
 1091958 STEERING, BACK MNT RACK/CABLE 18.5' ASSY  
 667345 SUPPORT, MOTOR MOUNT 7.5" X "L" SHAPED  
 766089 SWITCH, BATTERY ON/OFF W/O LOCK W/O DISC  
 188052 SWITCH, EMERG CUT-OFF W/LNYRD TWIN ENG I/O  
 830471 TANK, FUEL 280 128GAL TWIN ENG .1875THK  
 142083 TIE BAR, MERC V-8 TYPE 30"-46"  
 760546 TUBING, EXH GLASS 5" X 17" X 19.5DEG  
 327429 VALVE, BRASS ANTI-SIPHON 1/4" MPT X 3/8" BARB

**T-5.7L EFI BR1 (T-260 PHP) MCM STERN DRIVES**

961599 ACC PART, MERC COUPLING BRASS PWR STEER HOSE  
 144675 ADAPTER, BRASS 1/2" MPT X 5/8" BARB  
 842500 BOARD, P/B 280-96 BILGE COMPONENT  
 650507 BOOT, BATTERY CABLE 4/0 BLK 11/16"

**T-5.7L EFI BR1 (T-260 PHP) MCM STERN DRIVES (continued)**

650499 BOOT, BATTERY CABLE 4/0 RED 11/16"  
 992339 BRACKET, 280BR HATCH LIFT ACT SML  
 952960 BRACKET, ALUM 1.5" X 3" X 9.5" CHANNEL  
 908566 BRACKET, ALUM 2" X 2" X 1/4" X 7.5" W/5/8" HOLES 2  
 147561 BUSHING, SS THD 1/4" FPT X 1/2" MPT  
 130807 CABLE, BATT BLK #2/OAWG  
 184051 CABLE, BATT RED #2/OAWG  
 1335769 CABLE, CONTROL TELEFLEX TFXTRME 18'  
 1335777 CABLE, CONTROL TELEFLEX TFXTRME 20'  
 974170 CABLE, CONTROL TELEFLEX TFXTRME 21'  
 974162 CABLE, CONTROL TELEFLEX TFXTRME 24'  
 256750 CLAMP, HOSE #88 4.25"-6" SS. 505  
 360537 CONN, BATT LUG 2/0 NEG W/NUT/BOLT  
 360495 CONN, BATT LUG 2/0 POS W/NUT/BOLT  
 793257 CONN, RING 2/OGA X 3/8R BATT/CBL COP PLTD CLS  
 973586 CONTROL, CONVERTER KIT TELEFLEX-TO-MERC  
 559047 CONTROL, SHIFT ASSY HIGH PERF BLACK (LONG)  
 752568 CONTROL, THRTL ASSY TWIN HI-PERF BLK  
 1313188 CUSH KIT, 280SS-00 END OF LINE W/TWIN OPT  
 140467 ELBOW, BRASS 90DEG 3/8" SAE X 1/4" MPT  
 140418 ELBOW, BRASS 90DEG STREET 1/4"  
 139980 FERRULE, FUEL LINE 3/8"  
 170589 FITTING, BRASS 3/8" BARB/NUT  
 1204171 HARNESS, 280CC/SS-99 TE MAIN BOAT  
 130435 HOLDER, BATTERY GR27 BLK NYLON W/SS  
 684738 HOSE, FUEL 3/8" TYPE A CLASS 1  
 852624 LABEL, STAY CLEAR OF MOVING PARTS  
 1086982 OUTDRIVE UNIT, MERC BRAVO I 1.50:1  
 1291699 PANEL, 280-00 TWIN ENG INST A/F  
 1204213 PANEL, 280-99 CNTRL STN CIRC BRKR  
 1204205 PANEL, 280-99 TWIN ENG IGN  
 845818 PANEL, 280BR/SS-96 PROP TRIM PNL TWIN ENG  
 1261528 PLATE, BACKING 1/4" X 2" X 7.5" ALUM  
 279406 PROP, 14" X 19" VENGEANCE LH  
 169672 PROP, 14" X 19" VENGEANCE RH  
 1268531 S/D, MERC 260HP 5.7L EFI W/RSR BR I  
 144881 SOLENOID, EMERG START  
 1091958 STEERING, BACK MNT RACK/CABLE 18.5' ASSY  
 667345 SUPPORT, MOTOR MOUNT 7.5" X "L" SHAPED  
 766089 SWITCH, BATTERY ON/OFF W/O LOCK W/O DISC  
 188052 SWITCH, EMERG CUT-OFF W/LNYRD TWIN ENG I/O  
 830471 TANK, FUEL 280 128GAL TWIN ENG .1875THK  
 142083 TIE BAR, MERC V-8 TYPE 30"-46"  
 760546 TUBING, EXH GLASS 5" X 17" X 19.5DEG  
 327429 VALVE, BRASS ANTI-SIPHON 1/4" MPT X 3/8" BARB

**T-350 MAG MPI BR 1 (T-300 PHP) STERN DRIVES**

847558 ACC PART, CAPT CALL 350 PORT POLISHED  
 848275 ACC PART, CAPT CALL 350 STBD POLISHED  
 961599 ACC PART, MERC COUPLING BRASS PWR STEER HOSE  
 755850 ACC PART, MERC DUAL LINK KIT  
 679324 ACTUATOR, ROCK BLK W/BLEND LENS ACCY  
 144675 ADAPTER, BRASS 1/2" MPT X 5/8" BARB  
 842500 BOARD, P/B 280-96 BILGE COMPONENT  
 648097 BODY, ROCK SW SPST BLK 12V INCAND  
 650507 BOOT, BATTERY CABLE 4/0 BLK 11/16"  
 650499 BOOT, BATTERY CABLE 4/0 RED 11/16"  
 992339 BRACKET, 280BR HATCH LIFT ACT SML  
 952960 BRACKET, ALUM 1.5" X 3" X 9.5" CHANNEL  
 908566 BRACKET, ALUM 2" X 2" X 1/4" X 7.5" W/5/8" HOLES 2  
 147561 BUSHING, SS THD 1/4" FPT X 1/2" MPT  
 130807 CABLE, BATT BLK #2/OAWG  
 184051 CABLE, BATT RED #2/OAWG  
 1335769 CABLE, CONTROL TELEFLEX TFXTRME 18'  
 1335777 CABLE, CONTROL TELEFLEX TFXTRME 20'  
 974170 CABLE, CONTROL TELEFLEX TFXTRME 21'  
 974162 CABLE, CONTROL TELEFLEX TFXTRME 24'  
 256750 CLAMP, HOSE #88 4.25"-6" SS. 505  
 360537 CONN, BATT LUG 2/0 NEG W/NUT/BOLT  
 360495 CONN, BATT LUG 2/0 POS W/NUT/BOLT  
 793257 CONN, RING 2/OGA X 3/8R BATT/CBL COP PLTD CLS  
 973586 CONTROL, CONVERTER KIT TELEFLEX-TO-MERC  
 559047 CONTROL, SHIFT ASSY HIGH PERF BLACK (LONG)  
 752568 CONTROL, THRTL ASSY TWIN HI-PERF BLK  
 1313188 CUSH KIT, 280SS-00 END OF LINE W/TWIN OPT  
 140467 ELBOW, BRASS 90DEG 3/8" SAE X 1/4" MPT  
 140418 ELBOW, BRASS 90DEG STREET 1/4"  
 847541 EXHAUST, EL 5" X 90DEG RBR  
 139980 FERRULE, FUEL LINE 3/8"  
 170589 FITTING, BRASS 3/8" BARB/NUT

**T-350 MAG MPI BR 1 (T-300 PHP) STERN DRIVES (continued)**

303453	GUNK, MED WT BONDING PUTTY DBF
1204171	HARNESS, 280CC/SS-99 TE MAIN BOAT
130435	HOLDER, BATTERY GR27 BLK NYLON W/SS
684738	HOSE, FUEL 3/8" TYPE A CLASS 1
852624	LABEL, STAY CLEAR OF MOVING PARTS
1310440	MEK PEROXIDE, NOROX MCP-75 RED 5GAL
590794	MEK PEROXIDE, RED MEKP-9
527218	MOUNT, ALUM STRINGER 1/4" GAS
1086982	OUTDRIVE UNIT, MERC BRAVO I 1.50:1
1291699	PANEL, 280-00 TWIN ENG INST A/F
1204213	PANEL, 280-99 CNTRL STN CIRC BRKR
1204205	PANEL, 280-99 TWIN ENG IGN
845818	PANEL, 280BR/SS-96 PROP TRIM PNL TWIN ENG
1261528	PLATE, BACKING 1/4" X 2" X 7.5" ALUM
1175124	PLUG, PROP LAZER SOLID
117820	PLYWOOD, 1/2" (4 X 8) CCX
849968	PROP, 13 7/8" X 21" LAZER II LH
849976	PROP, 13 7/8" X 21" LAZER II RH
1176536	RESIN, DCPD BLEND (LOW STYRENE) BULK SUMMER
100834	ROVING, CONTINUOUS
100248	ROVING, WOVEN 24 OZ. 82"
1072644	S/D, MERC 300HP 350MAG MPI W/RSR BRI
144881	SOLENOID, EMERG START
1091958	STEERING, BACK MNT RACK/CABLE 18.5' ASSY
667345	SUPPORT, MOTOR MOUNT 7.5" X "L" SHAPED
766089	SWITCH, BATTERY ON/OFF W/O LOCK W/O DISC
188052	SWITCH, EMERG CUT-OFF W/LNYRD TWIN ENG I/O
830471	TANK, FUEL 280 128GAL TWIN ENG .1875THK
142083	TIE BAR, MERC V-8 TYPE 30"-46"
132662	TUBING, EXH GLASS 5"
760546	TUBING, EXH GLASS 5" X 17" X 19.5DEG
327429	VALVE, BRASS ANTI-SIPHON 1/4" MPT X 3/8" BARB

**T-D2.8L D-TRONIC BR1 (150 PHP) STERN DR.DSL**

144675	ADAPTER, BRASS 1/2" MPT X 5/8" BARB
650507	BOOT, BATTERY CABLE 4/0 BLK 11/16"
650499	BOOT, BATTERY CABLE 4/0 RED 11/16"
992339	BRACKET, 280BR HATCH LIFT ACT SML
147561	BUSHING, SS THD 1/4" FPT X 1/2" MPT
136044	CABLE, BATT BLK #4/0AWG
136051	CABLE, BATT RED #4/0AWG
1335769	CABLE, CONTROL TELEFLEX TFXXTREME 18'
1335777	CABLE, CONTROL TELEFLEX TFXXTREME 20'
974170	CABLE, CONTROL TELEFLEX TFXXTREME 21'
974162	CABLE, CONTROL TELEFLEX TFXXTREME 24'
123612	CLAMP, LOOM VINYL DIP 11/16"
123604	CLAMP, LOOM VINYL DIP 2.5"
518720	CONN, BATT LUG 4/0GA NEG T-TYPE
192385	CONN, BATT LUG 4/0GA NEG W/NUT/BOLT
518712	CONN, BATT LUG 4/0GA POS T-TYPE
192393	CONN, BATT LUG 4/0GA POS W/NUT/BOLT
192310	CONN, RING 4/0GA X 3/8R 1.15 BARE
559047	CONTROL, SHIFT ASSY HIGH PERF BLACK (LONG)
752568	CONTROL, THRTL ASSY TWIN HI-PERF BLK
723742	COVER, CLAMP END PROT .045" X .465-1/2" RED
1313188	CUSH KIT, 280SS-00 END OF LINE W/TWIN OPT
1109339	DECK PLATE, DSL SS 1.5" GRN CLR-CODE
140467	ELBOW, BRASS 90DEG 3/8" SAE X 1/4" MPT
140418	ELBOW, BRASS 90DEG STREET 1/4"
139980	FERRULE, FUEL LINE 3/8"
140335	FILTER, REMOTE FUEL DSL (500MA)
170589	FITTING, BRASS 3/8" BARB/NUT
894519	FITTING, STEEL 3/4"-16 STR THREAD X 1/4" FPT
1291285	GAUGE, FUEL 2" SGL STA 12V MLSS A/F
912436	GAUGE, OIL PRESS 0-125 2" 12V MLSS
196774	HALON SYS, ENG INTERRUPT/RESTART
1096577	HARNESS, 280CC/SS-98 ENG D-TRONIC
684738	HOSE, FUEL 3/8" TYPE A CLASS 1
1112879	LABEL, DANGER SHUT OFF ENG WHEN NEAR SWIMMERS
852624	LABEL, STAY CLEAR OF MOVING PARTS
624239	LABEL, UPON HALON DISCHARGE SHUTDOWN ELEC SYS
1086966	OUTDRIVE UNIT, MERC BRAVO I 1.65:1
1291699	PANEL, 280-00 TWIN ENG INST A/F
1095876	PANEL, 280-98 ENG MON 2.8L D-TRONIC TWIN
1204213	PANEL, 280-99 CNTRL STN CIRC BRKR
1131895	PANEL, 280-99 TWIN ENG IGN DSL
1261528	PLATE, BACKING 1/4" X 2" X 7.5" ALUM
393983	PROP, 14.75" X 21" SS MIRAGE LH
127399	PROP, 14.75" X 21" SS MIRAGE PLUS RH
1072651	S/D, MERC 150HP D2.8L D-TRONIC BRAVO I

**T-D2.8L D-TRONIC BR1 (150 PHP) STERN DR.DSL (continued)**

1091958	STEERING, BACK MNT RACK/CABLE 18.5' ASSY
667345	SUPPORT, MOTOR MOUNT 7.5" X "L" SHAPED
830471	TANK, FUEL 280 128GAL TWIN ENG .1875THK
142083	TIE BAR, MERC V-8 TYPE 30"-46"
140046	VALVE, FUEL SHUT OFF DSL 1/4"
<b>D 7.3L BR 3 D-TRONIC ( 270 PHP ) DIESEL</b>	
1116391	ANTI-FREEZE, HAVOLINE DEX COOL EXT LIFE
147561	BUSHING, SS THD 1/4" FPT X 1/2" MPT
136044	CABLE, BATT BLK #4/0AWG
136051	CABLE, BATT RED #4/0AWG
1028034	CABLE, CONTROL TELEFLEX 17' 600A/MERC SERIES
518720	CONN, BATT LUG 4/0GA NEG T-TYPE
192385	CONN, BATT LUG 4/0GA NEG W/NUT/BOLT
518712	CONN, BATT LUG 4/0GA POS T-TYPE
192393	CONN, BATT LUG 4/0GA POS W/NUT/BOLT
192310	CONN, RING 4/0GA X 3/8R 1.15 BARE
278184	CONTROL, THRTL/SHFT DUAL I/O
723742	COVER, CLAMP END PROT .045" X .465-1/2" RED
1109339	DECK PLATE, DSL SS 1.5" GRN CLR-CODE
140467	ELBOW, BRASS 90DEG 3/8" SAE X 1/4" MPT
140418	ELBOW, BRASS 90DEG STREET 1/4"
139980	FERRULE, FUEL LINE 3/8"
140335	FILTER, REMOTE FUEL DSL (500MA)
170589	FITTING, BRASS 3/8" BARB/NUT
894519	FITTING, STEEL 3/4"-16 STR THREAD X 1/4" FPT
1291285	GAUGE, FUEL 2" SGL STA 12V MLSS A/F
196774	HALON SYS, ENG INTERRUPT/RESTART
188250	HEAT SHRINK, TUBING BLK 1"
702589	HEAT SHRINK, TUBING RED 1"
684738	HOSE, FUEL 3/8" TYPE A CLASS 1
1112879	LABEL, DANGER SHUT OFF ENG WHEN NEAR SWIMMERS
624239	LABEL, UPON HALON DISCHARGE SHUTDOWN ELEC SYS
152793	NUT, HEX NYLON LOCK #5/16-18 SS
1090943	OUTDRIVE UNIT, MERC BRAVO III 1.81:1
1056951	S/D, MERC 270HP D7.3L D-TRONIC BRAVO III
153361	SCREW, CAP #5/16-18 X 1.5" HEX HD SS
140046	VALVE, FUEL SHUT OFF DSL 1/4"
152942	WASHER, FLAT #5/16" SS

**CANVAS PACKAGE - SUNBRELLA**

1278712	CANVAS, 280BR/SS-00 BIM SIDE CURT SET TOAST
1278753	CANVAS, 280BR/SS-00 BIM VSR CLR/TOAST 3PC
1328541	CANVAS, 280SS-00 BIM TOP AFT CURT TOAST
963876	CANVAS, SPBOAT STRG BAG 10X80 XLRG GREY 97
580688	SPACER, SIDE CURTAIN 7/8"

**CAMPER CANVAS PACKAGE**

1278712	CANVAS, 280BR/SS-00 BIM SIDE CURT SET TOAST
1278753	CANVAS, 280BR/SS-00 BIM VSR CLR/TOAST 3PC
1279694	CANVAS, 280SS-00 CAMP CMPLT TOAST
1279744	CANVAS, 280SS-00 CAMP TOP BOOT TOAST
963876	CANVAS, SPBOAT STRG BAG 10X80 XLRG GREY 97
580688	SPACER, SIDE CURTAIN 7/8"

**COCKPIT COVER**

1328533	CANVAS, 280SS-00 BIM CPC TOAST
---------	--------------------------------

**5" REMOTE CONTROLLED SPOTLIGHT**

129932	CABLE, SPOTLIGHT CONTROL
263376	CONTROL, SEARCH LIGHT W/O HARNESS
908343	RAIL, BOWFORM 280CC/SS W/PLT LOPRO 97
129908	SPOTLIGHT, 5"
135376	WIRE, 16GA AWG RED

**MACERATOR**

533729	BRKR, P/BTN-MANUAL RESET 15A
256693	CLAMP, HOSE #24 1"-2" SS .505
123604	CLAMP, LOOM VINYL DIP 2.5"
723742	COVER, CLAMP END PROT .045" X .465-1/2" RED
531566	ELBOW, BRZ 90DEG 1.5" MPT X 1.5" BARB
124305	HOSE, CONDUIT/SPLIT 1" BLK
846899	HOSE, SANI 1.5" PREMIUM RBR BLK
955278	LABEL, NOTICE OVERBOARD DISCHARGE (LEXAN)
134858	PUMP, HEAD SYS MACERATOR
518456	SEACOCK, BRZ 1.5" W/O TAILPIECE
1088657	SEALANT, POLYURETHANE WHT STARBRITE RTV
156554	STAPLE, 1" X 7/16" X .065" COATED
141606	TEE, PVC 1.5" MACHINED INSERT TEE
579870	THRU-HULL, BRZ 1.5" W/O NUT

**STORAGE CRADLE**

102079	ADHESIVE, YLW (WOOD PARTS)
167189	CARPET, SCRAP
121426	PINE, 4 X 8 X 20'
117838	PLYWOOD, 3/4" (4 X 8) CCX
156596	STAPLE, 2" X 7/16" X .065" COATED 8.04M/BX

**GRAY WATER SYSTEM**

531152	ADAPTER, PVC 1.5" BARB X 1" BARB
147496	ELBOW, GENOVA 3/4" MPT X 3/4" BARB X 90DEG
130344	ELBOW, PVC 1.5" MPT X 1.5" BARB X 90DEG
172726	HOSE CUFF, 1.5" RH WHT
490219	HOSE, CORR SAN/WATER-FILL 1.5" RH
123877	HOSE, CORR SAN/WATER-FILL 3/4"
125021	SPRUCE, 2" X 4" X 12' D4S

**TV / VCR COMBO - 12V / 120V/60**

1180041	ANTENNA, TV AMP W/SHIP/SHORE A/B SW 12/24VDC
792325	ANTENNA, TV GLOMAX ASSY W/CONN
822619	BUSHING, WATER TIGHT 1.25" OD
224816	CABLE, COAXIAL RG-59/U 75 OHM 95% SHIELDED
864306	CONN, COAX 'F' TWIST-ON
145011	CONN, COAX TV CABLE MALE
136093	CORD SET, PHONE 50FT
136085	CORD SET, TV CABLE 50FT
145078	COVER PLATE, SGL DUPLEX RECEIPT BRN
122853	FITTING, WATER TIGHT OUTLET FOR 5/16" CABLE
133694	INLET, PHONE/TV CABLE COMBO WHT
145094	RECEPTACLE, DUPLEX BRN 15A
898346	TV/VCR, 9" MAGNAVOX COLOR

**TV / VCR COMBO -12V ONLY (NTSC) INT'L**

1180041	ANTENNA, TV AMP W/SHIP/SHORE A/B SW 12/24VDC
792325	ANTENNA, TV GLOMAX ASSY W/CONN
224816	CABLE, COAXIAL RG-59/U 75 OHM 95% SHIELDED
864306	CONN, COAX 'F' TWIST-ON
145011	CONN, COAX TV CABLE MALE
136093	CORD SET, PHONE 50FT
136085	CORD SET, TV CABLE 50FT
133694	INLET, PHONE/TV CABLE COMBO WHT
898346	TV/VCR, 9" MAGNAVOX COLOR

**FIBERGLASS SPORT SPOILER**

1240167	BRACKET, ALUM 1/4" X 1" X 2" W/9/16" HOLES
1355650	CANVAS, 280BR-00 SPORT SNSHD TOP TOAST PH2
1185685	FBRGLS PART, 280AN-99 SPOILER
291179	LIGHT, NAV MASTHEAD COMBO VAR MT 2" X 1.5" BASE
1227412	LIGHT, NAV STERN FLUSH MT RND CHR/BRN N/STUDS
1317528	PANEL, 280SS-00 SPORT SPOILER PORT WHT
1317510	PANEL, 280SS-00 SPORT SPOILER STBD WHT
156554	STAPLE, 1" X 7/16" X .065" COATED
1220441	TAPE, FOAM SGL FACE WHT VINYL 3/8" X 72YD
728014	TRACK, VINYL AWNING WHITE "FLEX-A-RAIL" 7.5'
1317650	W/S, 280BR/SS-00 CMPLT W/CONT TOP TRIM ARCH

**ANCHOR CHUTE W/HAWSE PIPE**

1145275	ANCHOR SHACKLE, JAW/JAW SWIVEL HVY DTY 3/8"
861922	ANCHOR, 22LB SELF LAUNCHED BALANCED FLUKE
1240167	BRACKET, ALUM 1/4" X 1" X 2" W/9/16" HOLES
291658	CLEAT, 8" 4-BOLT SS
861930	DAVIT, ANCHOR W/ROLLER 280CC
168468	DECK PIPE, ROPE/DECK PIPE SS
697508	EYE, BOW 3/8" X 2.75"
819334	HOOK, SNAP 5/16" X 3 1/8" SS
805499	LANYARD, CABLE ANCHOR 1/8" SS
793471	PLATE, BACKING UNIVERSAL 3/16"
144956	ROPE, NYLON ANCHOR LINE W/THIMBLE 1/2" X 150'

**AIR COND/HEATING-120V/60-3/4 TON**

1329614	A/C COMP, 7K BTU STOWAWAY 115V
828871	A/C COMP, CORD SMXII - 15'
980656	A/C COMP, DEFUSER 5X10 LINEAR CLW
660126	A/C COMP, ECU CONTROL UNIT
1055821	A/C COMP, FACE PLATE FOR CONTROL BLK
1165109	A/C COMP, GRILL 10X5 CLW
961854	A/C COMP, GRILL 4X4 ALUM CLW
1267061	A/C COMP, GRILL 5X10 PLENUM CLW
948273	A/C COMP, HOSE FITTINGS FOR PMP500
995621	A/C COMP, HOSE RING 6" PLAS OBLONG
948265	A/C COMP, PUMP SEAWATER 115V
1090422	A/C COMP, QC PKG (CONDENSING UNIT)

**AIR COND/HEATING-120V/60-3/4 TON (continued)**

826115	A/C COMP, QC PKG (MICROPROCESSOR CNTRL UNIT)
531426	ADAPTER, BRZ 3/4" MPT X 3/4" BARB
144899	BOX, PVC SWITCH BOX
331991	BRKR/ROCK, SGL-POLE AC/DC HORZ 20A WHT
256677	CLAMP, HOSE #12 1/2"-1.25" SS .505
123612	CLAMP, LOOM VINYL DIP 11/16"
123604	CLAMP, LOOM VINYL DIP 2.5"
156885	CONN, NON-MET BOAT CABLE 0.30 TO 0.60 DIA
154864	CONN, RING 12/10GA X 1/4R W/INSUL
144907	COVER PLATE, SWITCH BOX BLUE PVC
723742	COVER, CLAMP END PROT .045" X.465-1/2" RED
308197	GEL COAT, GRY ENAMEL (BILGE)
1044445	HOSE, AC/DUCT INSULATED 6" X 10'
124305	HOSE, CONDUIT/SPLIT 1" BLK
123810	HOSE, GEN PURPOSE 3/4"
124024	HOSE, VENT/BLOWER 3" EX HVY DTY
1058957	HOSE, WATER A/C WHT 5/8"
938423	LABEL, 1/2" X 1.5" A/C CONDENSATE
852582	LABEL, UNPLUG SHORE POWER WARNING
100917	MEK PEROXIDE, CLEAR MEKP-9
531574	PICK-UP, BRZ WATER INTAKE 3/4"
117838	PLYWOOD, 3/4" (4 X 8) CCX
518431	SEACOCK, BRZ 3/4" W/O TAILPIECE
157008	SEALANT, SILICONE CLEAR RTV 10.30Z
144717	STRAINER, BRZ WATER INTAKE 3/4" SPECIAL #5937
777219	VALVE, MARELON W/1/2" TH-HL/BARB STRAIGHT

**AIR COND/HEATING-220V/50-3/4 TON INTL**

1329622	A/C COMP, 7K BTU STOWAWAY 230V
828871	A/C COMP, CORD SMXII - 15'
980656	A/C COMP, DEFUSER 5X10 LINEAR CLW
660126	A/C COMP, ECU CONTROL UNIT
1055821	A/C COMP, FACE PLATE FOR CONTROL BLK
1165109	A/C COMP, GRILL 10X5 CLW
961854	A/C COMP, GRILL 4X4 ALUM CLW
1267061	A/C COMP, GRILL 5X10 PLENUM CLW
948273	A/C COMP, HOSE FITTINGS FOR PMP500
995621	A/C COMP, HOSE RING 6" PLAS OBLONG
948349	A/C COMP, PUMP SEAWATER 230V
1090422	A/C COMP, QC PKG (CONDENSING UNIT)
826115	A/C COMP, QC PKG (MICROPROCESSOR CNTRL UNIT)
531426	ADAPTER, BRZ 3/4" MPT X 3/4" BARB
144899	BOX, PVC SWITCH BOX
331991	BRKR/ROCK, SGL-POLE AC/DC HORZ 20A WHT
256677	CLAMP, HOSE #12 1/2"-1.25" SS .505
123612	CLAMP, LOOM VINYL DIP 11/16"
123604	CLAMP, LOOM VINYL DIP 2.5"
156885	CONN, NON-MET BOAT CABLE 0.30 TO 0.60 DIA
154864	CONN, RING 12/10GA X 1/4R W/INSUL
144907	COVER PLATE, SWITCH BOX BLUE PVC
723742	COVER, CLAMP END PROT .045" X.465-1/2" RED
308197	GEL COAT, GRY ENAMEL (BILGE)
1044445	HOSE, AC/DUCT INSULATED 6" X 10'
124305	HOSE, CONDUIT/SPLIT 1" BLK
123810	HOSE, GEN PURPOSE 3/4"
124024	HOSE, VENT/BLOWER 3" EX HVY DTY
1058957	HOSE, WATER A/C WHT 5/8"
938423	LABEL, 1/2" X 1.5" A/C CONDENSATE
852582	LABEL, UNPLUG SHORE POWER WARNING
100917	MEK PEROXIDE, CLEAR MEKP-9
531574	PICK-UP, BRZ WATER INTAKE 3/4"
117838	PLYWOOD, 3/4" (4 X 8) CCX
518431	SEACOCK, BRZ 3/4" W/O TAILPIECE
157008	SEALANT, SILICONE CLEAR RTV 10.30Z
144717	STRAINER, BRZ WATER INTAKE 3/4" SPECIAL #5937
777219	VALVE, MARELON W/1/2" TH-HL/BARB STRAIGHT

**HOT WATER SYSTEM WITH EXCHANGER - 120V/60**

1215185	ADAPTER, SEATECH 1/2" M-15MM STEM BRASS
1253111	ADAPTER, SEATECH 3/8" M COMP-15MM BRASS
1210897	ADAPTER, SEATECH STEM CHECK 1/2" MPT X 15MM
144899	BOX, PVC SWITCH BOX
1215235	CLIP, SEATECH COLLET 15MM
144907	COVER PLATE, SWITCH BOX BLUE PVC
1214832	ELBOW, SEATECH 90DEG EQUAL 15MM
1214840	ELBOW, SEATECH 90DEG STEM 15MM
1253095	FAUCET/SHOWER, WHT/MIX W/ON/OFF FLX TAIL
1142496	HEATER, WATER 6 GAL 110/60 W/75-210T&P
124594	HOSE, WATER 5/8" HVY DTY (HEATER)
1214824	TEE, SEATECH EQUAL 15MM

**HOT WATER SYSTEM WITH EXCHANGER - 120V/60 (continued)**

124487	THRU-HULL, PLAS 5/8" WHT
1210160	TUBING, SEATECH 15MM X 11MM X 250' BLUE
1210194	TUBING, SEATECH 15MM X 11MM X 250' RED

**HOT WATER SYSTEM WITH EXCHANGER - 220V/50**

1215185	ADAPTER, SEATECH 1/2" M-15MM STEM BRASS
1253111	ADAPTER, SEATECH 3/8" M COMP-15MM BRASS
1210897	ADAPTER, SEATECH STEM CHECK 1/2" MPT X 15MM
144899	BOX, PVC SWITCH BOX
1215235	CLIP, SEATECH COLLET 15MM
144907	COVER PLATE, SWITCH BOX BLUE PVC
1214832	ELBOW, SEATECH 90DEG EQUAL 15MM
1214840	ELBOW, SEATECH 90DEG STEM 15MM
1253095	FAUCET/SHOWER, WHT/MIX W/ON/OFF FLX TAIL
1156728	HEATER, WATER 6 GAL 220/50 W/75-210T&P
124594	HOSE, WATER 5/8" HVY DTY (HEATER)
1214824	TEE, SEATECH EQUAL 15MM
124487	THRU-HULL, PLAS 5/8" WHT
1210160	TUBING, SEATECH 15MM X 11MM X 250' BLUE
1210194	TUBING, SEATECH 15MM X 11MM X 250' RED

**HIGH PROFILE BOW RAIL**

908400	RAIL, BOW 280CC/SS SIDE RAILS HIPRO 97
908376	RAIL, BOWFORM 280CC/SS W/O PLT HIPRO 97
908392	RAIL, STANCH SET 280CC/SS HIPRO 97

**AFT SUN PAD FILLER CUSHIONS**

1313147	CUSH, 280BR-00 AFTCIR FILLER WHT
743179	POST, TABLE LEG 15.25" ALUM RIB (ZWAARDVIS)
198945	VELCRO, DUAL LOCK CLR 2" X 50YD W/ADH BACK

**WINDLASS - LOFRANS MARLIN - ROPE/CHAIN**

716902	ANCHOR SHACKLE, W/SCREW PIN 1/4"
861922	ANCHOR, 22LB SELF LAUNCHED BALANCED FLUKE
140509	BOOT, ENG STARTER RED
1240167	BRACKET, ALUM 1/4" X 1" X 2" W/9/16" HOLES
213785	BRKR, MANUAL RESET KLIXON 60A
291658	CLEAT, 8" 4-BOLT SS
977975	CONN, RING 2GA X 1/4R BATT/CBL
793307	CONN, RING 4GA X 3/8R BATT/CBL COP PLTD CLSD
560268	CONN, RING 6GA X 3/8R .643 W/INSUL
861930	DAVIT, ANCHOR W/ROLLER 280CC
697508	EYE, BOW 3/8" X 2.75"
1031715	GUARD, HDPE 1/2" X 5.25" X 6" WINDLASS CHAIN
862458	HARNESS, 280CC/SS-96 WINDLASS OPT
819334	HOOK, SNAP 5/16" X 3 1/8" SS
921759	LABEL, DANGER STAY CLEAR OF MOVING PARTS
805499	LANYARD, CABLE ANCHOR 1/8" SS
936419	PANEL, 260/280-97 ACCY W/WINDLASS OPT
793471	PLATE, BACKING UNIVERSAL 3/16"
918359	ROPE/CHAIN KIT, LOFRANS 1/2" X 100'/1/4" X 20'
644609	SOLENOID, MAGNET LATCHING 12V 100A/500A W/HDW
651869	SOLENOID, MAGNET LATCHING LEAD ONLY
757765	WINDLASS FOOTSWITCH, HVY DUTY W/SAFTY CVR WHT
930503	WINDLASS SOLENOID, LOFRANS CONTROL BOX MARLIN
917914	WINDLASS, RP/CHN MARLINI STD LO-PRO

**WINDLASS - LOFRANS MARLIN - CHAIN**

716902	ANCHOR SHACKLE, W/SCREW PIN 1/4"
861922	ANCHOR, 22LB SELF LAUNCHED BALANCED FLUKE
140509	BOOT, ENG STARTER RED
1240167	BRACKET, ALUM 1/4" X 1" X 2" W/9/16" HOLES
213785	BRKR, MANUAL RESET KLIXON 60A
1048743	CHAIN STOP, SS W/LANYARD (WINDLINE)
695650	CHAIN, HIGH TEST 1/4" X 100'
977975	CONN, RING 2GA X 1/4R BATT/CBL
793307	CONN, RING 4GA X 3/8R BATT/CBL COP PLTD CLSD
560268	CONN, RING 6GA X 3/8R .643 W/INSUL
861930	DAVIT, ANCHOR W/ROLLER 280CC
697508	EYE, BOW 3/8" X 2.75"
1031715	GUARD, HDPE 1/2" X 5.25" X 6" WINDLASS CHAIN
862458	HARNESS, 280CC/SS-96 WINDLASS OPT
819334	HOOK, SNAP 5/16" X 3 1/8" SS
921759	LABEL, DANGER STAY CLEAR OF MOVING PARTS
805499	LANYARD, CABLE ANCHOR 1/8" SS
936419	PANEL, 260/280-97 ACCY W/WINDLASS OPT
793471	PLATE, BACKING UNIVERSAL 3/16"
644609	SOLENOID, MAGNET LATCHING 12V 100A/500A W/HDW
651869	SOLENOID, MAGNET LATCHING LEAD ONLY
757765	WINDLASS FOOTSWITCH, HVY DUTY W/SAFTY CVR WHT

**WINDLASS - LOFRANS MARLIN - CHAIN (continued)**

930503	WINDLASS SOLENOID, LOFRANS CONTROL BOX MARLIN
917914	WINDLASS, RP/CHN MARLINI STD LO-PRO

**C E OPTION GROUP**

934968	FIRE EXT SYS, FM200 150CF GAS/DSL-AUTO
947473	HOSE, FUEL 3/8" ISO/CE
947507	HOSE, FUEL 5/8" ISO/CE
315507	INSULATION, VIBRACON 1"
934539	LABEL, PREVENT DISCHARGE OF POLLUTANTS
1253616	MANUAL, OWNERS - INT'L 12-LANGUAGE
976415	PLATE, CE OPT B:12PERSON/1360KG
604959	PUMP, BILGE 16GPM MANUAL THRU DECK MNT
173617	TAPE, DUCT MYLAR 2"

**2.2 TO 1 BRAVO 3 HIGH ALTITUDE GEAR RATIO**

1086990	OUTDRIVE UNIT, MERC BRAVO III 2.20:1
---------	--------------------------------------

**T-1.65 TO 1 BR 1 HIGH ALTITUDE GEAR RATIOS**

1086966	OUTDRIVE UNIT, MERC BRAVO I 1.65:1
---------	------------------------------------

**OWNER ORIENTATION VIDEO - PAL FORMAT**

968354	VIDEO, 97 OWNER ORIENTATION SPCRUISER PAL
--------	---

**120V/60 PREFERRED OPTION GROUP - CANVAS PKG**

133652	ADAPTER, SHORE CORD 125V/30A(F)-125V/15A(M)
1286921	ANTENNA, 42" GLOMEX SS RA106 W/O MT W/O CONN
800326	BINDING, CANVAS 1" LINEN STRAIGHT SUNBRELLA
842500	BOARD, P/B 280-96 BILGE COMPONENT
800565	BOOKLET, BOATER'S GUIDE TO AC ELECTRICAL SYST
627737	BOX, RECEPTACLE/SWITCH PVC 1-GANG DEEP
332031	BRKR/ROCK, SGL-POLE AC/DC HORZ 15A WHT
582445	BRKR/TOGGLE, 2-POLE AC MED DELAY 35A
822619	BUSHING, WATER TIGHT 1.25" OD
179580	BUSS BAR, COPPER 1/8" X 1/2" X 6" W/10-32 HOLES
179606	BUSS BAR, DELRON SPACER
135228	CABLE, MARINE STRANDED 14/3 BLK/GRN/WHT
1278712	CANVAS, 280BR/SS-00 BIM SIDE CURT SET TOAST
1278753	CANVAS, 280BR/SS-00 BIM VSR CLR/TOAST 3PC
1328541	CANVAS, 280SS-00 BIM TOP AFT CURT TOAST
1279793	CANVAS, 280SS-00 CARPET RUNNER TOAST
963876	CANVAS, SPBOAT STRG BAG 10X80 XLRG GREY 97
1224088	CARPET, EXT 28 OZ DUNE MARBLE #903 RL
156885	CONN, NON-MET BOAT CABLE 0.30 TO 0.60 DIA
1274588	CONN, SOLDERLESS W/CTR PIN
970939	CONVERTER, 20AMP 120/220 50/60HZ 12VDC FLYBK (HULL# 1328 -> UP)
841445	CONVERTER, 20AMP 120/60HZ 12VDC (HULL# 1201 -> 1327)
1244367	CORD SET, 120V/30A 50FT POWERCORD PLUS
145078	COVER PLATE, SGL DUPLEX RECEPT BRN
258384	COVER PLATE, SGL DUPLEX RECEPT WHT
180067	COVER PLATE, WATERPROOF RECEPT W/2 DOORS
122853	FITTING, WATER TIGHT OUTLET FOR 5/16" CABLE
1055797	FLUSH MOUNT KIT, RAY-210 VHF RADIO FRONT MNT
825273	FUSE HOLDER, INLINE #10 (TRON)30A MAX
276469	FUSE, FERRULE TYPE AGC 30A
802074	GALVANIC ISOLATOR, ZINC SAVER II 30AMP
133660	INLET, SHORE POWER SS 125V 30A
276816	LABEL, STICKER SHORE POWER WARNING 30A 125V
852582	LABEL, UNPLUG SHORE POWER WARNING
117887	MDO, 1/2" (4 X 8) G2S
1141191	MICROWAVE, GE 0.6CF BLK 110V
115311	MOUNT, RATCHET VHF 4-WAY W/1"-14 MALE THD SS
516732	NOSING, ALUM 5/8" X 12' ROUNDED GOLD
152769	NUT, HEX NYLON LOCK #1/4-20 SS
981043	PANEL, 290SDA-97 AC MAIN DIST
117820	PLYWOOD, 1/2" (4 X 8) CCX
1027697	RADIO, VHF RAY-210
145136	RECEPTACLE, CORR RESISTANT GREY
145094	RECEPTACLE, DUPLEX BRN 15A
258376	RECEPTACLE, DUPLEX WHT 15A
258368	RECEPTACLE, GFI DUPLEX WHT 15A
151639	SCREW, MACHINE #1/4-20 X 1.5" POH SS
154401	SNAP BUTTON, W/1/4" BARREL
154393	SNAP SOCKET, MED ACTION
154369	SNAP STUD, W/#8 X 3/8" PH SS
580688	SPACER, SIDE CURTAIN 7/8"
1049832	STEREO, CD CHANGER 6-DISC M635
152926	WASHER, FLAT #1/4" SS
135640	WIRE, 10GA AWG RED

## 120V/60 PREFERRED OPTION GROUP - CAMPER PKG.

133652	ADAPTER, SHORE CORD 125V/30A(F)-125V/15A(M)
1286921	ANTENNA, 42" GLOMEX SS RA106 W/O MT W/O CONN
800326	BINDING, CANVAS 1" LINEN STRAIGHT SUNBRELLA
842500	BOARD, P/B 280-96 BILGE COMPONENT
800565	BOOKLET, BOATER'S GUIDE TO AC ELECTRICAL SYST
627737	BOX, RECEPTACLE/SWITCH PVC 1-GANG DEEP
332031	BRKR/ROCK, SGL-POLE AC/DC HORZ 15A WHT
582445	BRKR/TOGGLE, 2-POLE AC MED DELAY 35A
822619	BUSHING, WATER TIGHT 1.25"OD
179580	BUSS BAR, COPPER 1/8"X 1/2"X 6" W/10-32 HOLES
179606	BUSS BAR, DELRON SPACER
135228	CABLE, MARINE STRANDED 14/3 BLK/GRN/WHT
1278712	CANVAS, 280BR/SS-00 BIM SIDE CURT SET TOAST
1278753	CANVAS, 280BR/SS-00 BIM VSR CLR/TOAST 3PC
1279694	CANVAS, 280SS-00 CAMP CMLPT TOAST
1279744	CANVAS, 280SS-00 CAMP TOP BOOT TOAST
1279793	CANVAS, 280SS-00 CARPET RUNNER TOAST
963876	CANVAS, SPBOAT STRG BAG 10X80 XLRG GREY 97
1224088	CARPET, EXT 28 OZ DUNE MARBLE #903 RL
156885	CONN, NON-MET BOAT CABLE 0.30 TO 0.60 DIA
1274588	CONN, SOLDERLESS W/CTR PIN
970939	CONVERTER, 20AMP 120/220 50/60HZ 12VDC FLYBK (HULL# 1328 -> UP)
841445	CONVERTER, 20AMP 120/60HZ 12VDC (HULL# 1201 -> 1327)
1244367	CORD SET, 120V/30A 50FT POWERCORD PLUS
145078	COVER PLATE, SGL DUPLEX RECEIPT BRN
258384	COVER PLATE, SGL DUPLEX RECEIPT WHT
180067	COVER PLATE, WATERPROOF RECEIPT W/2 DOORS
122853	FITTING, WATER TIGHT OUTLET FOR 5/16" CABLE
1055797	FLUSH MOUNT KIT, RAY-210 VHF RADIO FRONT MNT
825273	FUSE HOLDER, INLINE #10 (TRON)30A MAX
276469	FUSE, FERRULE TYPE AGC 30A
802074	GALVANIC ISOLATOR, ZINC SAVER II 30AMP
133660	INLET, SHORE POWER SS 125V 30A
276816	LABEL, STICKER SHORE POWER WARNING 30A 125V
852582	LABEL, UNPLUG SHORE POWER WARNING
117887	MDO, 1/2" (4 X 8) G2S
1141191	MICROWAVE, GE 0.6CF BLK 110V
115311	MOUNT, RATCHET VHF 4-WAY W/1"-14 MALE THD SS
516732	NOSING, ALUM 5/8"X 12' ROUNDED GOLD
152769	NUT, HEX NYLON LOCK #1/4-20 SS
981043	PANEL, 290SDA-97 AC MAIN DIST
117820	PLYWOOD, 1/2" (4 X 8) CCX
1027697	RADIO, VHF RAY-210
145136	RECEPTACLE, CORR RESISTANT GREY
145094	RECEPTACLE, DUPLEX BRN 15A
258376	RECEPTACLE, DUPLEX WHT 15A
258368	RECEPTACLE, GFI DUPLEX WHT 15A
151639	SCREW, MACHINE #1/4-20 X 1.5" POH SS
154401	SNAP BUTTON, W/1/4" BARREL
154393	SNAP SOCKET, MED ACTION
154369	SNAP STUD, W/#8 X 3/8" PH SS
580688	SPACER, SIDE CURTAIN 7/8"
1049832	STEREO, CD CHANGER 6-DISC M635
152926	WASHER, FLAT #1/4" SS
135640	WIRE, 10GA AWG RED

## 220V/50 PREFERRED OPTION GROUP - CANVAS PKG

1286921	ANTENNA, 42" GLOMEX SS RA106 W/O MT W/O CONN
800326	BINDING, CANVAS 1" LINEN STRAIGHT SUNBRELLA
842500	BOARD, P/B 280-96 BILGE COMPONENT
800565	BOOKLET, BOATER'S GUIDE TO AC ELECTRICAL SYST
627737	BOX, RECEPTACLE/SWITCH PVC 1-GANG DEEP
975037	BRKR, IDEA 230V 2P EURO GFCI 16A 10MA WHT
332593	BRKR/ROCK, SGL-POLE AC/DC HORZ 10A WHT
826867	BRKR/TOGGLE, 2-POLE AC MED DELAY 25A
822619	BUSHING, WATER TIGHT 1.25"OD
179580	BUSS BAR, COPPER 1/8"X 1/2"X 6" W/10-32 HOLES
179606	BUSS BAR, DELRON SPACER
135228	CABLE, MARINE STRANDED 14/3 BLK/GRN/WHT
1278712	CANVAS, 280BR/SS-00 BIM SIDE CURT SET TOAST
1278753	CANVAS, 280BR/SS-00 BIM VSR CLR/TOAST 3PC
1328541	CANVAS, 280SS-00 BIM TOP AFT CURT TOAST
1279793	CANVAS, 280SS-00 CARPET RUNNER TOAST
963876	CANVAS, SPBOAT STRG BAG 10X80 XLRG GREY 97
1224088	CARPET, EXT 28 OZ DUNE MARBLE #903 RL
1274588	CONN, SOLDERLESS W/CTR PIN
970939	CONVERTER, 20AMP 120/220 50/60HZ 12VDC FLYBK (HULL# 1328 -> UP)

## 220V/50 PREFERRED OPTION GROUP - CANVAS PKG (continued)

1043934	CONVERTER, 20AMP 220VAC/50HZ 12VDC CE-CERT (HULL# 1201 -> 1327)
206268	CORD SET, 220V/50H 16A 50FT
975029	COVER PLATE, IDEA-SERIES 3-GANG WHT
122853	FITTING, WATER TIGHT OUTLET FOR 5/16" CABLE
1055797	FLUSH MOUNT KIT, RAY-210 VHF RADIO FRONT MNT
893289	FRAME, IDEA-SERIES 3-GANG SUPPORT FRAME GREY
825273	FUSE HOLDER, INLINE #10 (TRON)30A MAX
276469	FUSE, FERRULE TYPE AGC 30A
802074	GALVANIC ISOLATOR, ZINC SAVER II 30AMP
206276	INLET, SHORE POWER WHT 220V/50H 16A
852582	LABEL, UNPLUG SHORE POWER WARNING
117887	MDO, 1/2" (4 X 8) G2S
1330356	MICROWAVE, ORIGO 0.5CF 220 BLK
115311	MOUNT, RATCHET VHF 4-WAY W/1"-14 MALE THD SS
516732	NOSING, ALUM 5/8"X 12' ROUNDED GOLD
152769	NUT, HEX NYLON LOCK #1/4-20 SS
981068	PANEL, 290SDA-97 AC MAIN DIST 220/50
117820	PLYWOOD, 1/2" (4 X 8) CCX
1027697	RADIO, VHF RAY-210
256305	RECEPTACLE, LEGRAND EXT W/CVR 220/50 GERMAN
779462	REFRIGERATOR, 2.0 CF AC/DC 220/50
151639	SCREW, MACHINE #1/4-20 X 1.5" POH SS
154401	SNAP BUTTON, W/1/4" BARREL
154393	SNAP SOCKET, MED ACTION
154369	SNAP STUD, W/#8 X 3/8" PH SS
580688	SPACER, SIDE CURTAIN 7/8"
1049832	STEREO, CD CHANGER 6-DISC M635
975011	SWITCH, BLANK IDEA-SERIES WHT
152926	WASHER, FLAT #1/4" SS
135640	WIRE, 10GA AWG RED

## 220V/50 PREFERRED OPTION GROUP - CAMPER PKG

1286921	ANTENNA, 42" GLOMEX SS RA106 W/O MT W/O CONN
800326	BINDING, CANVAS 1" LINEN STRAIGHT SUNBRELLA
842500	BOARD, P/B 280-96 BILGE COMPONENT
800565	BOOKLET, BOATER'S GUIDE TO AC ELECTRICAL SYST
627737	BOX, RECEPTACLE/SWITCH PVC 1-GANG DEEP
975037	BRKR, IDEA 230V 2P EURO GFCI 16A 10MA WHT
332593	BRKR/ROCK, SGL-POLE AC/DC HORZ 10A WHT
826867	BRKR/TOGGLE, 2-POLE AC MED DELAY 25A
822619	BUSHING, WATER TIGHT 1.25"OD
179580	BUSS BAR, COPPER 1/8"X 1/2"X 6" W/10-32 HOLES
179606	BUSS BAR, DELRON SPACER
135228	CABLE, MARINE STRANDED 14/3 BLK/GRN/WHT
1278712	CANVAS, 280BR/SS-00 BIM SIDE CURT SET TOAST
1278753	CANVAS, 280BR/SS-00 BIM VSR CLR/TOAST 3PC
1279694	CANVAS, 280SS-00 CAMP CMLPT TOAST
1279744	CANVAS, 280SS-00 CAMP TOP BOOT TOAST
1279793	CANVAS, 280SS-00 CARPET RUNNER TOAST
963876	CANVAS, SPBOAT STRG BAG 10X80 XLRG GREY 97
1224088	CARPET, EXT 28 OZ DUNE MARBLE #903 RL
1274588	CONN, SOLDERLESS W/CTR PIN
970939	CONVERTER, 20AMP 120/220 50/60HZ 12VDC FLYBK (HULL# 1328 -> UP)
1043934	CONVERTER, 20AMP 220VAC/50HZ 12VDC CE-CERT (HULL# 1201 -> 1327)
206268	CORD SET, 220V/50H 16A 50FT
975029	COVER PLATE, IDEA-SERIES 3-GANG WHT
122853	FITTING, WATER TIGHT OUTLET FOR 5/16" CABLE
1055797	FLUSH MOUNT KIT, RAY-210 VHF RADIO FRONT MNT
893289	FRAME, IDEA-SERIES 3-GANG SUPPORT FRAME GREY
825273	FUSE HOLDER, INLINE #10 (TRON)30A MAX
276469	FUSE, FERRULE TYPE AGC 30A
802074	GALVANIC ISOLATOR, ZINC SAVER II 30AMP
206276	INLET, SHORE POWER WHT 220V/50H 16A
852582	LABEL, UNPLUG SHORE POWER WARNING
117887	MDO, 1/2" (4 X 8) G2S
1330356	MICROWAVE, ORIGO 0.5CF 220 BLK
115311	MOUNT, RATCHET VHF 4-WAY W/1"-14 MALE THD SS
516732	NOSING, ALUM 5/8"X 12' ROUNDED GOLD
152769	NUT, HEX NYLON LOCK #1/4-20 SS
981068	PANEL, 290SDA-97 AC MAIN DIST 220/50
117820	PLYWOOD, 1/2" (4 X 8) CCX
1027697	RADIO, VHF RAY-210
256305	RECEPTACLE, LEGRAND EXT W/CVR 220/50 GERMAN
779462	REFRIGERATOR, 2.0 CF AC/DC 220/50
151639	SCREW, MACHINE #1/4-20 X 1.5" POH SS
154401	SNAP BUTTON, W/1/4" BARREL
154393	SNAP SOCKET, MED ACTION

**220V/50 PREFERRED OPTION GROUP - CAMPER PKG (continued)**

154369 SNAP STUD, W/#8 X 3/8" PH SS  
 580688 SPACER, SIDE CURTAIN 7/8"  
 1049832 STEREO, CD CHANGER 6-DISC M635  
 975011 SWITCH, BLANK IDEA-SERIES WHT  
 152926 WASHER, FLAT #1/4" SS  
 135640 WIRE, 10GA AWG RED

**"NEW SUEDE SAND" - FABRIC UPGRADE**

1145374 FABRIC, NEW SUEDE SAND FLAT

**"NEW SUEDE OYSTER" - FABRIC UPGRADE**

1144914 FABRIC, NEW SUEDE OYSTER FLAT

**SPORT PACKAGE**

1240167 BRACKET, ALUM 1/4" X 1" X 2" W/9/16" HOLES  
 731182 CABLE, RCA AUDIO "Y" (1-FM/2-M)  
 1355650 CANVAS, 280BR-00 SPORT SNSHD TOP TOAST PH2  
 1185685 FBRGLS PART, 280AN-99 SPOILER  
 1310424 GEL COAT, HNTR GRN  
 291179 LIGHT, NAV MASTHEAD COMBO VAR MT 2" X 1.5" BASE  
 1227412 LIGHT, NAV STERN FLUSH MT RND CHR/BRS N/STUDS  
 1317528 PANEL, 280SS-00 SPORT SPOILER PORT WHT  
 1317510 PANEL, 280SS-00 SPORT SPOILER STBD WHT  
 1049857 SPEAKER, 10" SUBWOOFER CM2501  
 156554 STAPLE, 1" X 7/16" X .065" COATED  
 1286244 STEREO, AMP CLARION APA4203 4CHNL  
 1220441 TAPE, FOAM SGL FACE WHT VINYL 3/8" X 72YD  
 1300565 TAPE, HULL APP 280BR-00 BLK PORT OPT  
 1300532 TAPE, HULL APP 280BR-00 BLK STBD OPT  
 1300441 TAPE, M/S 2.75" W/SGL-VOID BLK OPT  
 1325976 TAPE, MOLD MASK 280BR/SS-00 PRT  
 1325984 TAPE, MOLD MASK 280BR/SS-00 STB  
 973693 THRU-HULL, CHR/BRZ 1 1/8"  
 505180 THRU-HULL, CHR/BRZ 1.5"  
 579896 THRU-HULL, CHR/BRZ 3/4"  
 728014 TRACK, VINYL AWNING WHITE "FLEX-A-RAIL" 7.5"  
 1317650 W/S, 280BR/SS-00 CMPLT W/CONT TOP TRIM ARCH

**FISHING PACKAGE**

948273 A/C COMP, HOSE FITTINGS FOR PMP500  
 130112 ADAPTER, BRASS 1/4" MPT X 3/8" BARB  
 141713 ADAPTER, BRASS 3/8" MPT X 5/8" BARB  
 531426 ADAPTER, BRZ 3/4" MPT X 3/4" BARB  
 1248202 ARCH, RADAR ALUM 280SS/290AJ-00 W/BACK PLATES  
 1326545 BOLSTER, 280SS-00 AFT PORT WHT  
 1326552 BOLSTER, 280SS-00 AFT STBD WHT  
 1326560 BOLSTER, 280SS-00 TRANS DOOR WHT  
 256677 CLAMP, HOSE #12 1/2"-1.25" SS .505  
 256685 CLAMP, HOSE #16 3/4"-1.5" SS .505  
 256693 CLAMP, HOSE #24 1"-2" SS .505  
 1233139 CONTAINER, LIVE BAITWELL 290AJ-00 ROTOCAST  
 1058908 COVER, LDPVC 310DA-98 COMPAN SEAT ACCESS ARW  
 1326586 CUSH, 280SS-00 AFT BENCH SEAT PORT WHT  
 1326594 CUSH, 280SS-00 AFT BENCH SEAT STBD WHT  
 859660 DOOR, RTM 280CC-96 TRANSOM ARW  
 950733 DOOR, STRG 15" X 11 5/8" WHT FRAME  
 955286 DOOR, STRG 9" X 17" WHT FRAME RH EXT  
 1041961 DRAIN, ELBOW 90DEG 1.5" W/FLANGE/NUT  
 196618 DRAIN, W/PLUG 100DEG 3/4" BARB WHT  
 140418 ELBOW, BRASS 90DEG STREET 1/4"  
 169193 ELBOW, BRZ 90DEG 3/4" MPT X 3/4" BARB  
 567958 ELBOW, MARELON 3/4" MPT X 3/4" BARB X 90DEG  
 182030 FUSE HOLDER, INLINE W/14GA W/RED  
 140574 FUSE, FERRULE TYPE AGC 20A  
 1317858 GEL COAT, ARCTIC WHT  
 308197 GEL COAT, GRY ENAMEL (BILGE)  
 1246529 GRATE, HDPE 290AJ-00 LIVE BAITWELL  
 1227347 HARNESS, 290AJ-00 SPOILER OPT  
 1317379 HELMSEAT, 280-00 STBD DBL WHT  
 172726 HOSE CUFF, 1.5" RH WHT  
 132258 HOSE CUFF, 3/4" RH  
 490219 HOSE, CORR SAN/WATER-FILL 1.5" RH  
 123877 HOSE, CORR SAN/WATER-FILL 3/4"  
 123810 HOSE, GEN PURPOSE 3/4"  
 123844 HOSE, SANI/SMOOTH WALL 1.5"  
 1058957 HOSE, WATER A/C WHT 5/8"  
 221994 LABEL, SEA WATER (LEXAN)  
 1249283 LID, HDPE 290AJ-00 CKPT BAIT PREP STATION ARW  
 1078625 LIGHT, COURTESY WATERPROOF FRONT MNT W/NUT  
 860759 LIGHT, NAV MASTHD COMBO VARMT 12 5/8" FLD DWN

**FISHING PACKAGE (continued)**

1227412 LIGHT, NAV STERN FLUSH MT RND CHR/BRS N/STUDS  
 100412 MAT, CHOP STRAND 2 OZ. 50"  
 100917 MEK PEROXIDE, CLEAR MEKP-9  
 1310440 MEK PEROXIDE, NOROX MCP-75 RED 5GAL  
 590794 MEK PEROXIDE, RED MEKP-9  
 912774 NOSING, VINYL 1" X 1/4" X 12' RIGID SR WHT  
 1240993 PANEL, 290AJ-00 BAITWELL WSHDWN SW  
 1256346 PANEL, HDPE 290AJ-00 CKPT BAITWELL BLKOFF  
 907279 PLUG, DRAIN 1.5" BLK  
 1211846 PUMP, WASHDOWN 3.6GPM-CE PROBTMSTR 30PSI 12V  
 1317031 RAIL, GRAB 280SS-00 CKPT BAITWELL  
 1176536 RESIN, DCPD BLEND (LOW STYRENE) BULK SUMMER  
 808089 ROD HOLDER, FLUSH MNT CHR/BRS 30DEG CONTR SML  
 100834 ROVING, CONTINUOUS  
 518431 SEACOCK, BRZ 3/4" W/O TAILPIECE  
 861948 SHIM, HDPE 3" X 10" HELMSEAT  
 144717 STRAINER, BRZ WATER INTAKE 3/4" SPECIAL #5937  
 1235878 SUPPORT, HDPE 290AJ-00 CKPT LIVE BAITWELL RNG  
 567925 TAILPIECE, MARELON 3/4" MPT X 3/4" BARB  
 1037027 TEE, PVC 1.5" BARB X 1.5" BARB X 1.5" BARB  
 1058254 TEE, PVC 1.5" BARB X 3/4" BARB X 1.5" BARB  
 845420 TEE, PVC 1/2" BARB X 1/2" BARB X 1/2" MPT  
 640300 THRU-HULL, BRZ 3/4" W/O NUT  
 124537 THRU-HULL, PLAS 1.5" WHT  
 674143 THRU-HULL, PLAS 3/4" X 90DEG WHT  
 847343 TRACK ASSY, HELMSEAT W/KNOB & CLIP  
 606087 TUBING, GAUGE 0.148" ID #7 HEAVY WALL  
 1261411 VALVE, MARELON BALL 2-WAY 3/4" W/XLNG HNDL  
 135541 WIRE, 8GA AWG GRN

**WINDLASS CAPSTAN**

1253673 WINDLASS, RP/CHN MARLINI LO-PRO W/CAPSTN

**PREMIER STEREO UPGRADE-SUBWOOFER/AMPLIFIER**

731182 CABLE, RCA AUDIO "Y" (1-FM/2-M)  
 736645 CABLE, RCA AUDIO 20' W/EFX-2 CONN  
 1049857 SPEAKER, 10" SUBWOOFER CM2501  
 1286244 STEREO, AMP CLARION APA4203 4CHNL  
 1049832 STEREO, CD CHANGER 6-DISC M635  
 135665 WIRE, 10GA AWG BLK  
 135640 WIRE, 10GA AWG RED  
 135467 WIRE, 16GA AWG BLUE

**ADDITIONAL SWIM PLATFORM**

1317783 Balsa, P/C 280BR/CC-00 SWMPLTFM  
 1317858 GEL COAT, ARCTIC WHT  
 303453 GUNK, MED WT BONDING PUTTY DBF  
 1323062 HATCH, RTM/FRP LADDER CONCEALED ARW W/O NOTCH  
 100917 MEK PEROXIDE, CLEAR MEKP-9  
 1310440 MEK PEROXIDE, NOROX MCP-75 RED 5GAL  
 590794 MEK PEROXIDE, RED MEKP-9  
 152785 NUT, HEX NYLON LOCK #1/2-13 SS  
 995001 PLATE, BACKING 1/4" X 2.25" W/1/2" HOLE  
 117820 PLYWOOD, 1/2" (4 X 8) CCX  
 777243 RAIL, GRAB 12" STREAMLINE W/FLANGES 95 (304)  
 1176536 RESIN, DCPD BLEND (LOW STYRENE) BULK SUMMER  
 100834 ROVING, CONTINUOUS  
 100248 ROVING, WOVEN 24 OZ. 82"  
 152090 SCREW, CAP #1/2-13 X 2.5" HEX HD SS  
 156554 STAPLE, 1" X 7/16" X .065" COATED  
 152967 WASHER, FLAT #1/2" SS

**BUTANE STOVE (REMOVABLE)**

137349 ACCESS PLATE, PLAS CVR 5" WHT  
 256677 CLAMP, HOSE #12 1/2"-1.25" SS .505  
 123778 HOSE, FUEL 5/8" TYPE A CLASS 2  
 124024 HOSE, VENT/BLOWER 3" EX HVY DTY  
 1090703 STOVE, BUTANE SGL BURNER PORTABLE BLK  
 279166 TEE, PVC 2" F SLIP ALL THE WAY  
 126888 VENT, FUEL/WATER TANK 5/8" X 3"  
 819243 VENT, LOUVERED 3 5/8" X 3 5/8" WHT

**EXPORT PACKING - INTERNATIONAL**

434191 CARD, NAVIGATIONAL INTERNATIONAL  
 125070 PLATE, NMMA YACHT CERT DSL