

2007 280DA

PARTS MANUAL

280

SUNDANCER®

International - 315 SUNDANCER



Sea Ray® Parts Manual, 2007 280 SUNDANCER MRP #
Sea Ray Boats, 2600 Sea Ray Blvd., Knoxville, TN 37914. For information call 1-800-SRBOATS or fax 1-314-213-7878 (USA and International).
Internet address: <http://www.searay.com>

Note: Not all accessories shown in pictures or described herein are standard equipment or even available as options.
Options and features are subject to change without notice.

Confirm the availability of all accessories and equipment with an authorized Sea Ray® dealer.

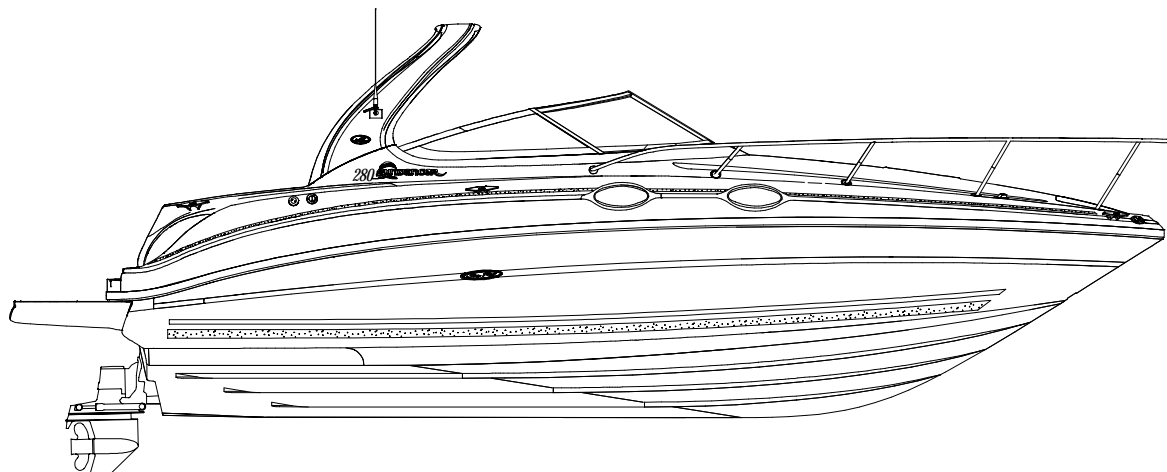
2007 280 SUNDANCER

TABLE OF CONTENTS



STANDARD & OPTIONAL LAYOUTS	PAGE
GELCOATS	1
EXTERIOR (HULL)	2, 3
EXTERIOR (DECK)	4, 5, 6
EXTERIOR (TRANSOM STORAGE AND SWIM PLATFORM)	7, 8
EXTERIOR (WINDSHIELD)	9
EXTERIOR (SPOILER)	10
EXTERIOR (GRAPHICS) BLUE	11, 12
EXTERIOR (GRAPHICS) BLACK	13, 14
EXTERIOR (GRAPHICS) COLORED HULL	15, 16
CANVAS (BLUE)	17, 18
CANVAS (BLACK)	19, 20
CANVAS (WHITE)	21, 22
COCKPIT	23, 24, 25
MAIN DC BREAKER PANEL	26
COCKPIT (HELM)	27, 28
INSTRUMENT PANEL (SINGLE GAS OR DIESEL)	29
INSTRUMENT PANEL (TWIN GAS)	30
COCKPIT (SNAP-IN CARPET LINER)	31
COCKPIT (UPHOLSTERY)	32, 33
FORWARD STATEROOM	34, 35
FORWARD STATEROOM (UPHOLSTERY)	36, 37
DINETTE	38, 39
DINETTE (UPHOLSTERY)	40, 41
STARBOARD HEAD	42, 43
GALLEY	44, 45, 46
GALLEY (REFRIGERATOR)	47, 48
MID STATEROOM	49, 50
AC MAIN DISTRIBUTION PANEL 60HZ CYCLE	51
AC MAIN DISTRIBUTION PANEL 50HZ CYCLE	52
AC MAIN DISTRIBUTION PANEL 60HZ WITH GENERATOR	53
AC MAIN DISTRIBUTION PANEL 50HZ WITH GENERATOR	54
GENERATOR PANEL	55
MID STATEROOM (UPHOLSTERY)	56, 57
INTERIOR (CANVAS CARPET RUNNER)	58, 59
MULTI-INFO PACKET	60
KNOXVILLE HARDWARE	61, 62
KNOXVILLE HARDWARE (CONTINUED 1)	63
BILGE	64, 65, 66
BILGE (ENGINE SET-UP/WATER INTAKE)	67
BILGE (GENERATOR SET-UP)	68, 69
AIR CONDITIONING SYSTEM	70, 71
STEERING SYSTEM	72, 73
FUEL SYSTEM	74, 75
WATER SYSTEM	76, 77
SEWAGE SYSTEM	78
DRAINAGE SYSTEM	79, 80

OPTIONS - PARTS LIST	PAGE
D6-310DPH (298 PHP) VOLVO DIESEL STERN DR.	81
496 MAG BR 3 (375 PHP) MCM STERN DRIVE	81
T-4.3L MPI ALPHA (T-220 PHP) MCM STERN DR.	81
T-4.3L MPI BR 3 (T-220 PHP) MCM STERN DR.	81, 82
T-5.0L MPI BR 3 (T-260 PHP) MCM STERN DR.	82
FLAG POLE & BASE, U.S. FLAG	82
FRESHWATER COOLING-TWIN S/D 4.3L OR 5.0L	82
AUSTRALIAN BUILDERS PLATE	82
NEUTRAL COLOR FITTED SHEETS	82
2ND STEREO REMOTE CONTROL -TRANSOM	82
GENERATOR 4.0 E0Z KOHLER - DIESEL - 120V/60	82, 83
GENERATOR 3.5 EFOZ KOHLER -DIESEL - 220V/50	83
CAMPER CANVAS PACKAGE	83
COCKPIT COVER	83
INVERTER - 12V TO 120V/60 CYCLE	83
SPOTLIGHT, 5" REMOTE CONTROLLED	83
PREMIUM COCKPIT SOUND SYSTEM - 12 VOLT	83
GENERATOR 4.0 EFCO KOHLER - GAS - 220V/50HZ	83
GENERATOR 5.0 ECD KOHLER - GAS - 120V/60HZ	83, 84
MACERATOR W/ SEACOCK INTERLOCK SYSTEM	84
BUTANE STOVE	84
BOATER SAFETY KIT	84
TV - FLAT SCREEN W/ DVD	84
FIRE SUPPRESSION FM 200 - INTERNATIONAL	84
GRAY WATER SYSTEM	84
TRANS-SHIELD COVER (SHIPPING COVER)	84
SHIP WATER READY	84
BOTTOM PAINT (STERN DRIVES) WHITE HULL ONLY	84
AIR CONDITIONING / HEATING - 120V/60	84
AIR CONDITIONING / HEATING - 220V/50	84, 85
220 VOLT / 50 CYCLE ELECTRICAL SYSTEM	85
GEL-COATED DASH - OPTIONAL	85
MERCATHODE II (2) TWINS	85
WINDLASS - ROPE / CHAIN	85
WINDLASS - CHAIN	85
C E OPTION GROUP	85
2.2 TO 1 BRAVO 3 HIGH ALTITUDE GEAR RATIO	85
T-1.81 TO 1 ALPHA HIGH ALTITUDE GEAR RATIOS	85
2.43 TO 1 BRAVO 3 HIGH ALTITUDE GEAR RATIO	85
COLORED HULL	85
VACUUM FLUSH HEAD W/ DIRECT OVER BOARD INTL	85, 86
ALCOHOL / ELEC.STOVE- 120V/60 (1 BURNER)	86
ALCOHOL / ELEC.STOVE- 220V/50 (1 BURNER)	86
CANADIAN CONFORMITY STICKER	86
BUTANE STOVE - CE APPROVED	86
"315DA" MODEL DESIGNATORS	86

GELCOATS**GELCOATS**

- 1452861 GEL COAT, PEARL AIR-DRY (BILGE)
(BILGE)
- 1558469 GEL COAT, MAXGUARD LE PEARL
(SMALL PARTS)
- 1317858 GEL COAT, ARCTIC WHT
(HULL/DECK/SMALL PARTS)
- 1799861 GEL COAT, NICKLE MMHP
(GEL-COATED DASH - NICKEL)

BOTTOM PAINT

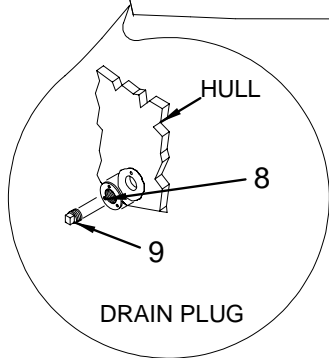
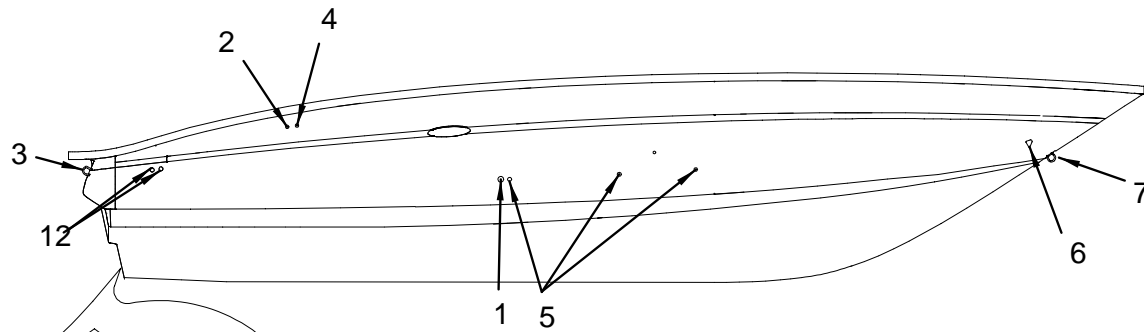
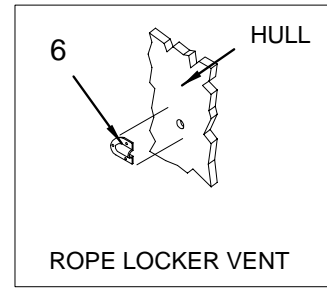
- 1355338 PAINT, BOTTOM BLACK HYDROCOAT

COLORED HULL

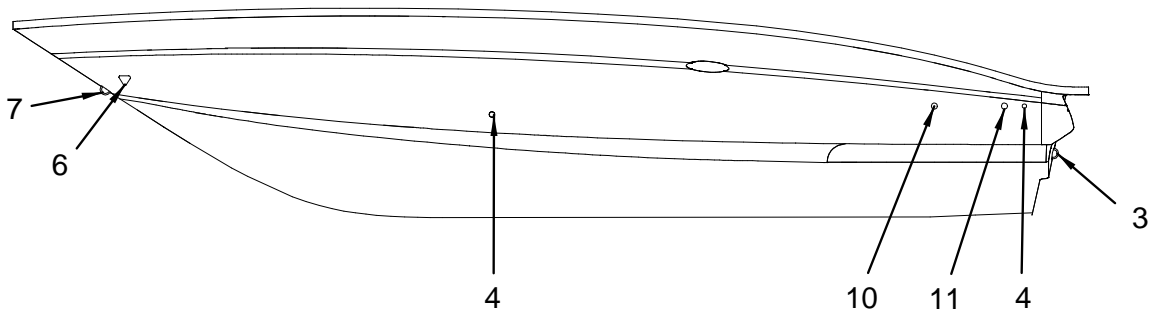
- 1883602 GEL COAT, BLUSHGUARD FLAG BLUE 5769A90040A
(HULL# 1380 -> UP)
(FLAG BLUE COLORED HULL)
- 1799711 GEL COAT, MMHP MIDNIGHT BLUE
(BLUE COLORED HULL)
- 1690845 GEL COAT, JET BLK
(BLACK COLORED HULL)
- 1799781 GEL COAT, NEW PEWTER VALSPAR
(PEWTER COLORED HULL)

EXTERIOR (HULL)

STARBOARD SIDE



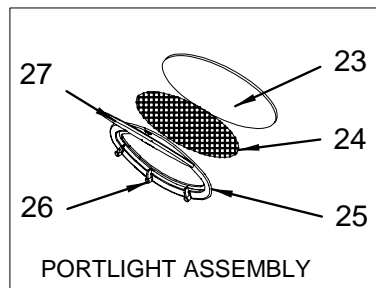
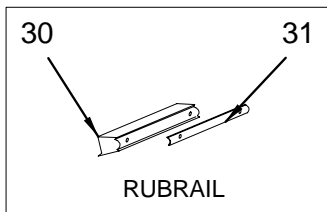
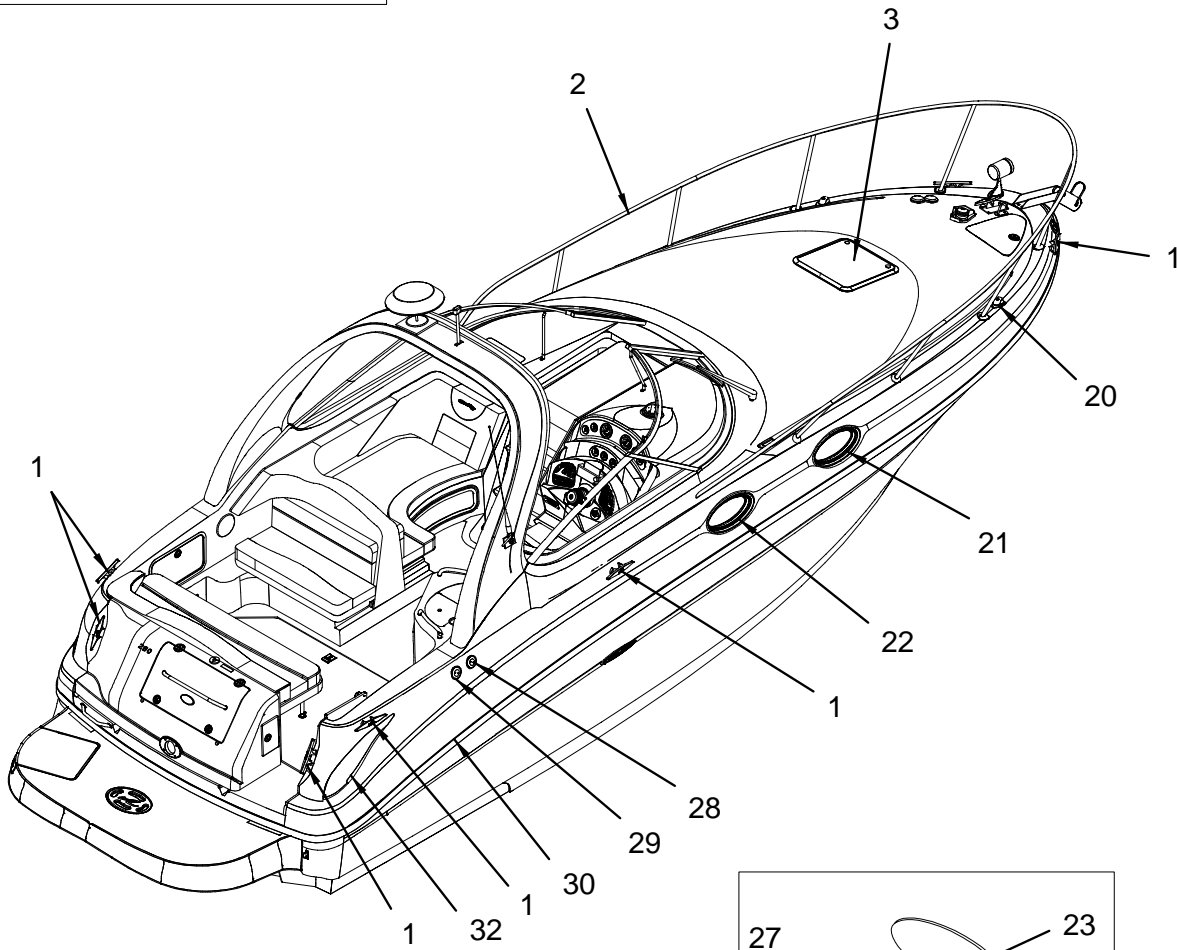
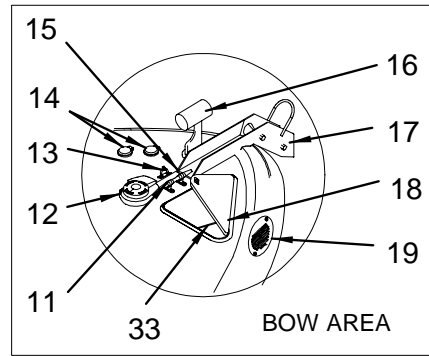
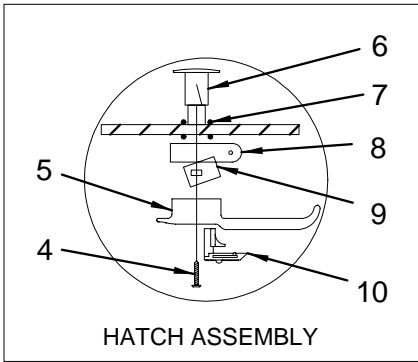
PORT SIDE



EXTERIOR (HULL)

- 1 1778926 THRU-HULL, SS 1"BARB SHORT W/RBR GASKET
- 2 1433176 VENT, FUEL/WATER SS 5/8" 90DEG FLSH MNT
- 3 126599 EYE, STERN 1/2"X 3 7/16" W/BACKING PLATE
1473040 PLATE, BACKING UNIVERSAL 3/16"
- 4 1778933 THRU-HULL, SS 5/8"BARB SHORT W/RBR GASKET
- 5 1778929 THRU-HULL, SS 3/4"BARB SHORT W/RBR GASKET
- 6 126870 VENT, CLAMSHELL ROPE LCKR 1 5/8"X 1.5"
- 7 697508 EYE, BOW 3/8"X 2.75"
1473040 PLATE, BACKING UNIVERSAL 3/16"
- 8 325191 PLUG, RED BRASS DRAIN 1/2"MPT W/FLANGE
- 9 162263 PLUG, BRASS 1/2" MPT DRAIN SPARE
(PART OF 325191)
- 10 640300 THRU-HULL, BRZ 3/4" W/O NUT
(GENERATOR)
- 11 1778928 THRU-HULL, SS 1.5"BARB SHORT W/RBR GASKET
(C E OPTION GROUP)
- 12 1778931 THRU-HULL, SS 1 1/8"BARB SHORT W/RBR GASKET

EXTERIOR (DECK)



EXTERIOR (DECK)

1	1777988	CLEAT, 10" SEA RAY SS 2-BOLT	15	1031715	GUARD, HDPE 1/2"X 5.25"X 6" WINDLASS CHAIN (WINDLASS - CHAIN)
	1473057	PLATE, BACKING CLEAT 1/4"X 2.5"X 5"		1196641	PAD, HDPE 340DA-99 CHAIN GUARD ARW (WINDLASS - ROPE/CHAIN)
2	1466770	RAIL, BOW 280DA-01 CMPLT WELDED	16	1754590	SPOTLIGHT, 5" SS GUEST (SPOTLIGHT, 5" REMOTE CONTROLLED)
	1210038	PLATE, BACKING BOW RAIL ALUM 2" ROUND		1759435	BULB, REPL FOR #1754590 SPOTLIGHT (REPLACEMENT BULB FOR 1754590)
3	985754	HATCH, DECK 20X20 ULTRA II NO CLIPS (NOTE: ORDER DIRECT FROM TAYLOR)		1756641	HARNESS, SPOTLIGHT ASSY 25" W/MALE CONN (SPOTLIGHT, 5" REMOTE CONTROLLED)
	1690196	SCREEN, DECK SKYSCREEN 20"X 20" BEIGE MARK IV		1755306	CONTROL, SEARCH LIGHT N/HARNESS (SPOTLIGHT, 5" REMOTE CONTROLLED)
	1174614	GASKET, DECK HATCH 20X20		1501857	HOSE, CONDUIT/SPLIT 1.5" FLAME RETARDANT (SPOTLIGHT, 5" REMOTE CONTROLLED)
4	686360	HATCH, SCREW 1/4" GLASS OR PLEX 89-93 (PART OF 985754) (NOTE: ORDER DIRECT FROM TAYLOR)	17	1246396	DAVIT, ANCHOR W/4"ROLLER 3/8"BAIL RV1 (HULL# 1292 -> UP)
5	802827	HATCH, HATCH HANDLE (PART OF 985754) (NOTE: ORDER DIRECT FROM TAYLOR)		1073097	DAVIT, ANCHOR W/4"ROLLER 3/8"BAIL (HULL# 1201 -> 1291)
6	632794	HATCH, ALL HATCH SIZES MUSHROOM OR POST (PART OF 985754) (NOTE: ORDER DIRECT FROM TAYLOR)		1727453	ROLLER, ANCHOR DAVIT F/1073097/1784251 (PART OF 1246396 & 1073097)
7	632778	HATCH, O-RING (PART OF 985754) (NOTE: ORDER DIRECT FROM TAYLOR)		1850682	ROLLER, ANCHOR DAVIT SML F/1073097 (PART OF 1246396 & 1073097)
8	701466	HATCH, ARM UNIV PIVOT ALL SIZES (PART OF 985754) (NOTE: ORDER DIRECT FROM TAYLOR)		144956	ROPE, NYLON ANCHOR LINE W/THIMBLE 1/2"X 150'
	800870	ARM, DECK HATCH TELESCOPE ULTRA BDY BLK PLAS (PART OF 985754) (NOTE: ORDER DIRECT FROM TAYLOR)		1145275	ANCHOR SHACKLE, JAW/JAW SWIVEL HVY DTY 3/8"
9	802819	HATCH, ALL HATCH SIZES PIVOT LATCH ADAPTER (PART OF 985754) (NOTE: ORDER DIRECT FROM TAYLOR)		1733352	ANCHOR, 25LB PLOW
10	802801	HANDLE, DECK HATCH LATCHING (PART OF 985754) (NOTE: ORDER DIRECT FROM TAYLOR)		1801007	CHAIN, HIGH TEST 1/4"X 100'GALV (WINDLASS - CHAIN)
11	1777987	CLEAT, 8" SEA RAY SS 2-BOLT		1048743	CHAIN STOP, SS W/LANYARD (WINDLINE) (WINDLASS - CHAIN)
	793471	PLATE, BACKING UNIVERSAL 3/16"		1745351	ROPE/CHN KT, LOFRANS 1/2"X 100'/1/4"X 20'REV1 (WINDLASS - ROPE/CHAIN)
12	168468	DECK PIPE, ROPE/DECK PIPE SS	18	1775447	HATCH, MARS 260/280DA-04 ANCHOR STRG ARW
	1848989	WINDLASS, RP/CHN ASTER 700 W/2-FTSW/SLNOID (HULL# 1254 -> UP) (WINDLASS - ROPE/CHAIN) (WINDLASS - CHAIN)		1480813	LATCH, FLUSH MOUNT ROUND T-HNDL SS W/PAWL
	1874395	WINDLASS, STRAIGHT HANDLE ASTER700 12V/24V (PART OF 1848989)		997239	HINGE, SS CONT 1.75"X 14.5" POLISHED
	1874393	WINDLASS, SOLENOID 12V ASTER700/ANTARES1000 (PART OF 1848989)		816322	TRIM-SEAL, 3/8" W/5/8"BULB LOC-A
	1874394	WINDLASS, SOLENOID 24V ASTER700/ANTARES1000 (PART OF 1848989)		156893	WEBBING, POLYPROPYLENE 1" BLACK
	1727010	WINDLASS, RP/CHN MARLINI LO-PRO W/LONGSTUD (HULL# 1201 -> 1253) (WINDLASS - ROPE/CHAIN) (WINDLASS - CHAIN)	19	1837053	HORN, SGL CONCEALED W/SS GRILL/BLADE TERM
	1762713	WINDLASS, CRANK HANDLE MARLIN LO-PRO (PART OF 1727010)		1883588	HORN, SS GRILL ONLY (PART OF 1837053)
	1745518	LABEL, WINDLASS BRKR (WINDLASS - ROPE/CHAIN) (WINDLASS - CHAIN)	20	1770647	LIGHT, NAV SIDE SS HORZ 12V W/IMPRVD GASKET
	1148121	BRKR, SURF MNT THERMAL 60AMP MANUAL RESET (WINDLASS - ROPE/CHAIN) (WINDLASS - CHAIN)		1798179	LIGHT, NAV SIDE SS LENS CVR ONLY (RED/PRT) (PART OF 1770647)
	1759250	CABLE, BATT SET 280DA-04 WNDLS KIT (WINDLASS - ROPE/CHAIN) (WINDLASS - CHAIN)		1798182	LIGHT, NAV SIDE SS LENS CVR ONLY (GRN/STB) (PART OF 1770647)
	1788185	WINDLASS SOLENOID, LOFRANS CONTROL BOX 05 (HULL# 1201 -> 1253) (WINDLASS - ROPE/CHAIN) (WINDLASS - CHAIN)		1423946	BULB, REPL FOR #1414895 12V (REPLACEMENT BULB FOR 1770647)
	1126754	TIE, CABLE 15.5" SCREW MNT BLK SS BARB (WINDLASS - ROPE/CHAIN) (WINDLASS - CHAIN)	21	1453992	PORTLIGHT, OPENING ALL SS 3/8"-7/8" MOD REV1
	829432	BUSS BAR, DBL POST 5/16" (WINDLASS - ROPE/CHAIN) (WINDLASS - CHAIN)	22	1454008	PORTLIGHT, OPENING ALL SS 3/8"-7/8" FROS REV1 (HEAD ONLY)
13	697508	EYE, BOW 3/8"X 2.75"	23	834317	PORTLIGHT, DEAD LIGHT ONLY (PART OF 1453992)
	1473040	PLATE, BACKING UNIVERSAL 3/16"		1331727	PORTLIGHT, LENS ONLY FROSTED (BOMAR) (PART OF 1454008) (HEAD ONLY)
	805499	LANYARD, CABLE ANCHOR 1/8"X 16"SS	24	1331313	PORTLIGHT, SCREEN 3/8"X 7/8"
	819334	HOOK, SNAP 5/16"X 3 1/8" SS	25	1513183	TRIM RING, PORTLIGHT 3/8" SS (PART OF 1453992 & 1454008)
14	1874391	WINDLASS, FOOT SW DOWN WHT (PART OF 1848989)		1331735	PORTLIGHT, GASKET ONLY (BOMAR) (PART OF 1453992 & 1454008)
	1874392	WINDLASS, FOOT SW UP WHT (PART OF 1848989)		1314459	PORTLIGHT, GASKET SATURATED FOAM (PART OF 1453992 & 1454008)
	757765	WINDLASS FOOTSWITCH, HVY DUTY W/SAFTY CVR WHT (HULL# 1201 -> 1253) (WINDLASS - ROPE/CHAIN) (WINDLASS - CHAIN)	26	1107044	PORTLIGHT, HANDLES QUICKDOGS (BOMAR) (PART OF 1453992 & 1454008)
	1687161	COVER, PLAS SAFETY WINDLASS FOOTSWITCH (HULL# 1201 -> 1253) (WINDLASS - ROPE/CHAIN) (WINDLASS - CHAIN)	27	866434	KNOB, PORTLIGHT KNOB ONLY (BOMAR) (PART OF 1453992 & 1454008)
			28	1355585	DECK PLATE, WASTE CHR STRAIGHT NCK BLK CODE
				1474790	DECK PLATE, CAP W/GASKET (PART OF 1355585)
				1068592	KEY, DECK PLATE CAP (PART OF 1355585)
			29	1109362	DECK PLATE, WATER CHR W/WNT 45DG NCK BLUE
				1405844	DECK PLATE, CAP W/CHAIN WATER (PART OF 1109362)
				1068592	KEY, DECK PLATE CAP (PART OF 1109362)
			30	897363	RUBRAIL, PVC ARCWHT 18' (SS INSERT)
			31	1080100	INSERT, RUB RAIL SS 3/4"X 12' (.062/304SS)
			32	1473743	COVER, T/F 280DA-01 DECK VENT STBD ARW
				1473735	COVER, T/F 280DA-01 DECK VENT PORT ARW
				799601	VENT, ABS/DR 300DA BILGE CVR PORT 95 (D6-310DPH (298 PHP) VOLVO DIESEL STERN DR.)
				799619	VENT, ABS/DR 300DA BILGE CVR STBD 95 (D6-310DPH (298 PHP) VOLVO DIESEL STERN DR.)
				800649	COLLECTOR BOX, DECK VENT ABS PORT 300DA 95 (D6-310DPH (298 PHP) VOLVO DIESEL STERN DR.)
				800656	COLLECTOR BOX, DECK VENT ABS STBD 300DA 95 (D6-310DPH (298 PHP) VOLVO DIESEL STERN DR.)

33 1425354 CYLINDER, GAS SS 25PSI 12"EXT X 8"COMP
634592 BRACKET, SS GAS CYL FLAT W/BALL STUD

LABELS

1743532 LABEL, SLING (LEXAN)
1745515 LABEL, WARNING DO NOT STAND/WALK THIS AREA
1746896 LABEL, DANGER STAY CLEAR OF MOVING PARTS
(WINDLASS - ROPE/CHAIN)
(WINDLASS - CHAIN)
1750454 DECAL, SEA RAY OWNERS CLUB (NBOA) RV
1757259 LABEL, GALVANIC ISOLATOR INSTALLED REVERSE...
1791388 DECAL, MERCURY CERTIFIED INSTALLER

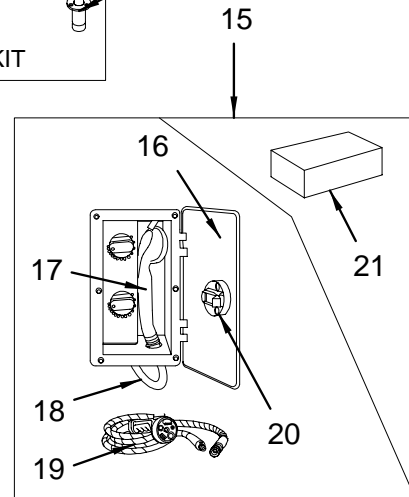
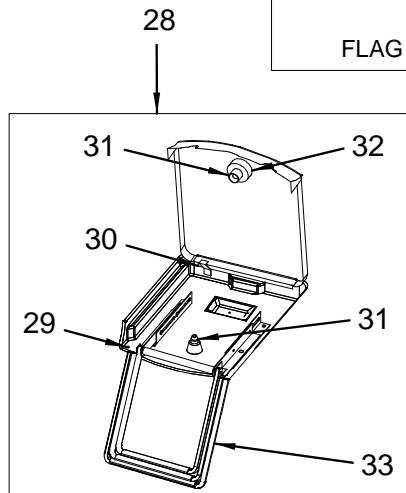
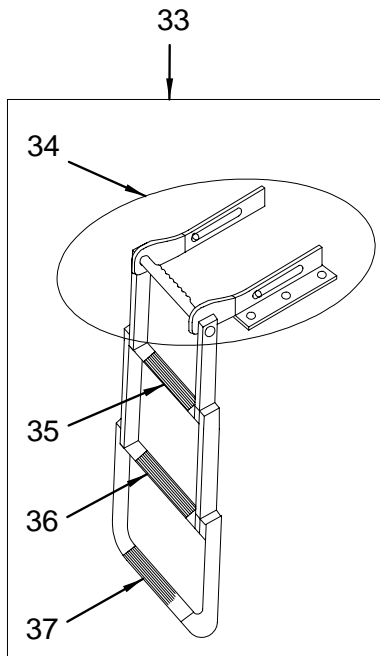
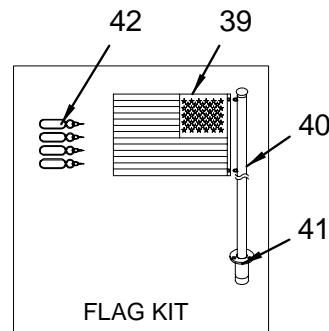
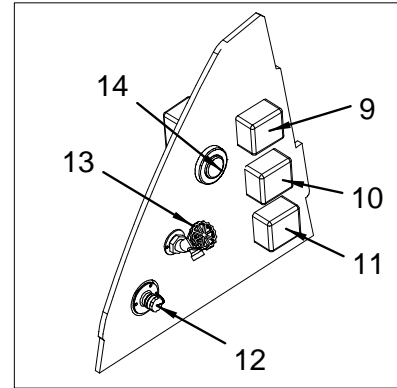
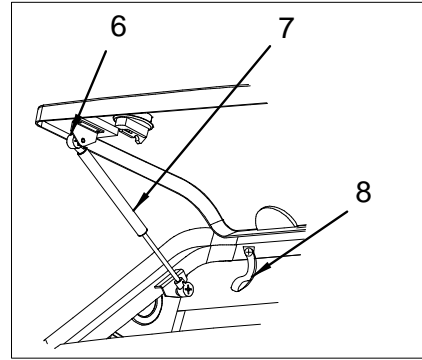
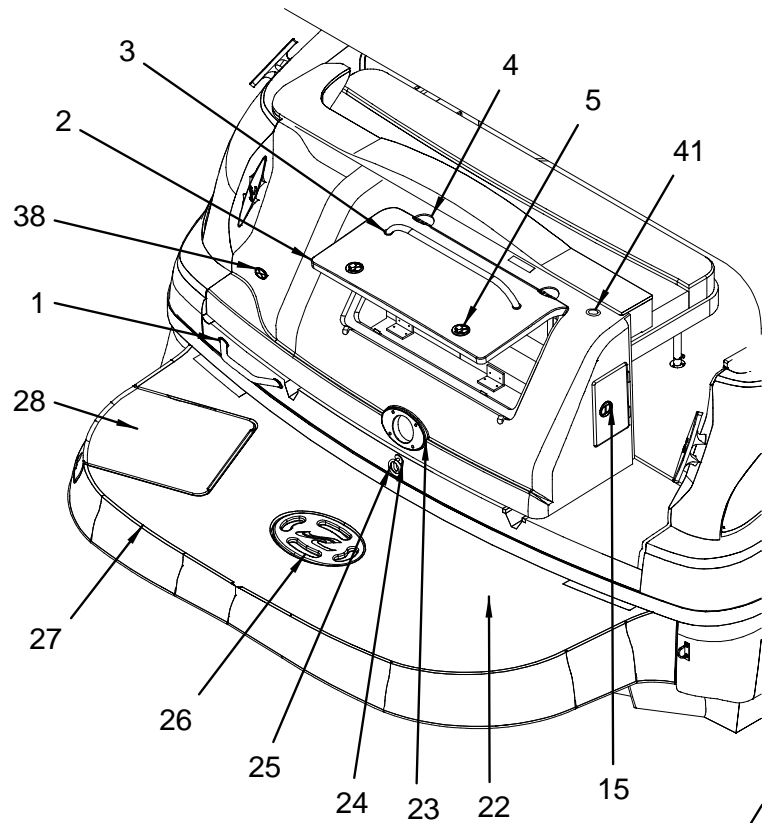
NOT SHOWN

137349 ACCESS PLATE, PLAS CVR 5" WHT
836122 BRACKET, PVC 1.5"X 1.5"X 3" 3/16"HOLE
1441070 PLATE, ALUM 3/16"X 1.5"X 4" BACKING
1220441 TAPE, FOAM SGL FACE WHT VINYL 3/8"X 72YD

VAC PACK

1727511 EMBLEM, VACPAC SR LOGO W/ISO/CE SML
468934 TAPE, VAC PAK WHT (4"X 36YDS) PRESERVATION
413070 TAPE, VAC PAK WHT (2"X 36YDS) PRESERVATION
1444611 VINYL FILM, VAC PACK SHRINK 7MM X 20'X 298'
524868 VINYL FILM, VAC PACK ZIPPER DOOR 30"X 48"WHT
642504 BUBBLE PACK, ADH 6"X 300'
1766055 VINYL FILM, 280DA-04 PLAS CVR
(TRANS-SHIELD COVER)
(COLORED HULL)
1793817 VINYL FILM, 280DA-05 PLAS CVR NO ARCH
(TRANS-SHIELD COVER/EXPORT PACKING - INTERNATI)
(COLORED HULL/EXPORT PACKING - INTERNATIONAL)

EXTERIOR (TRANSOM STORAGE AND SWIM PLATFORM)



EXTERIOR (TRANSOM STORAGE AND SWIM PLATFORM)

- 1 1747836 RAIL, GRAB 12" STREAMLINE W/FLANGES (316L)
- 2 1873178 280DA 07,RTM,LID TRNSM WALL ARCW
- 1581099 FIRE EXT, DRY CHEM HAND-HELD 1A 10CB 2.5OLB
(SHIP WATER READY)
- 159244 HOOK, ALUM BOAT HOOK
(SHIP WATER READY)
- 184341 KIT, FIRST AID
(SHIP WATER READY)
- 184358 KIT, SIGNAL GUN KIT
(SHIP WATER READY)
- 184366 RING BUOY, RESCUE RING BUOY 20"
(SHIP WATER READY)
- 187351 ROPE, NYLON DOCKLINE 1/2"X 30"
(SHIP WATER READY)
- 579573 CLIP, RETAINER BOAT HOOK 5/8"TO 1 1/4"
(SHIP WATER READY)
- 773481 TUBE, SIGNAL KIT 12" "UTILITUBE" W/ORANGE LID
(SHIP WATER READY)
- 796912 FENDER, 8"X 20" WHT #1026
(SHIP WATER READY)
- 3 1747838 RAIL, GRAB 24" STRMLN W/STUD FLANGES 316L
- 4 1338821 HINGE, SS STRAP 2.56" X 2.56" X 1/4"
- 5 1781434 LATCH, FLUSH MNT N/LOCKING SLAM SS
- 1781435 PLATE, CUP BRKT 2"LONG SCREW W/HDWR PKG
- 6 634550 BRACKET, SS GAS CYL 90DEG L-BRKT W/BALL LONG
- 634592 BRACKET, SS GAS CYL FLAT W/BALL STUD
- 7 1425362 CYLINDER, GAS SS 40PSI 12"EXT X 8"COMP
- 8 855809 ROPE, DOCKLINE STRAP WHT W/HDWR (SHORT STYLE)
- 9 829416 INLET, "MAIN BRKR" HOUSING WHT
- 582445 BRKR/TOGGLE, 2-POLE AC MED DELAY 35A
- 10 133678 INLET, SHORE POWER WHT 125V 30A
- 133652 ADAPTER, SHORE CORD 125V/30A(F)-125V/15A(M)
- 1244367 CORD SET, 120V/30A 50FT POWERCORD PLUS
- 206268 CORD SET, 220V/50H 16A 50FT
(220 VOLT / 50 CYCLE ELECTRICAL SYSTEM)
- 206276 INLET, SHORE POWER WHT 220V/50H 16A
(220 VOLT / 50 CYCLE ELECTRICAL SYSTEM)
- 11 133694 INLET, PHONE/TV CABLE COMBO WHT
(TV - FLAT SCREEN W/ DVD)
- 12 141168 INLET, WATER W/PRESS REGULATOR WHT
- 13 1096262 FAUCET, SILLCOCK WASHDOWN (WHITECAP)
- 14 137380 LIGHT, NAV STERN FLUSH MT CKPT (COURTESY)
- 1200369 BULB, REPL FOR #0137380/#0783670
(REPLACEMENT BULB FOR 137380)
- 15 736702 FAUCET, WASHDOWN BOX W/MIXER (AQUATIK) VERT
- 1298710 FAUCET, CARTRIDGE CERAMIC 90DEG LH
(PART OF 736702)
- 1302504 FAUCET, CARTRIDGE CERAMIC 90DEG RH
(PART OF 736702)
- 16 1302587 FAUCET, WASHDOWN DOOR ONLY (AQUATIK)
(PART OF 736702)
- 1742646 LATCH, WASHDOWN DOOR (AQUATIK)
(PART OF 736702)
- 17 1302603 FAUCET, WASHDOWN SPRAYER HEAD ONLY(AQUATIK)
(PART OF 736702)
- 1848792 FAUCET, WASHDOWN RUBBER SHOWERHEAD HLDR
(PART OF 736702)
- 18 1302595 FAUCET, WASHDOWN HOSE W/FPT ONLY(AQUATIK)
(PART OF 736702)
- 19 1302579 FAUCET, WASHDOWN SHOWER UNIT ONLY (AQUATIK)
(PART OF 736702)
- 20 1742646 LATCH, WASHDOWN DOOR (AQUATIK)
(PART OF 736702)
- 21 1749388 GALVANIC ISOLATOR, PROSAFE 30AMP (ISOL ONLY)
- 22 1873179 280DA 07,SWMPLTFM,FBRGLS
- 23 981092 INSERT, HDPE OVAL HAWSE HOLE ARW
- 24 202481 SKI EYE, TRANSOM MT 3/8"X 2.5"DIA X 2.5"LEG
- 25 1227412 LIGHT, NAV STERN FLUSH MT RND CHR/BRS N/STUDS
- 901199 BULB, STERN NAV LIGHT REPL #137406-1227412
(REPLACEMENT BULB FOR 1227412)
- 26 973842 INSERT, HDPE SWMPLTFM W/SR LOGO ARW
- 27 743625 TRIM, EDGE WHT MOTOR BOX LARGE
- 28 1873177 280DA 07,HATCH,SWIM LADDER
- 844753 HINGE, SS CONT 2"X 15" W/1/8" PIN
- 29 508820 BUMPER, CANOE CLIP ROUND BLK SWIM LADDER
- 30 156893 WEBBING, POLYPROPYLENE 1" BLACK
- 31 1118314 CATCH, RBR SUNPAD HOLD-DOWN
- 32 1544121 CLEAT, LDPVC 1" X 3" RND SWMPLTFM LID
- 33 1473750 LADDER, SWIM 3-STEP SS CONCEALED REV2 GUDGNS
- 1682293 LADDER, SWIM HDWR KIT FOR MRP #1473750
(PART OF 1473750)
- 34 1685191 LADDER, SWIM SLIDING GUDGEON ASSY
(PART OF 1473750)

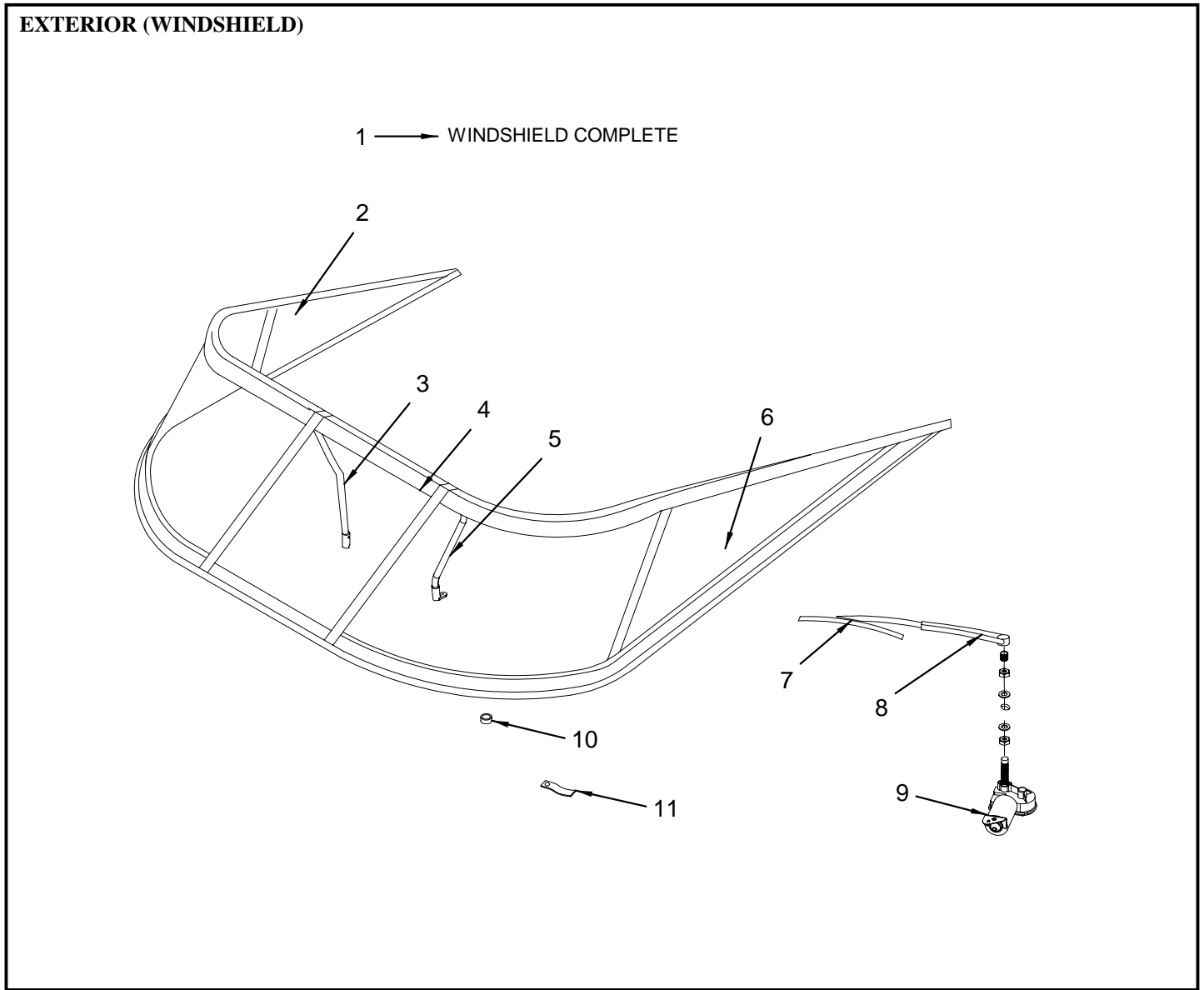
- 35 973446 LADDER, TREAD 10 3/8"
(PART OF 1473750)
- 36 909317 LADDER, TREAD 11.75"
(PART OF 1473750)
- 37 909325 LADDER, TREAD 12 7/8"
(PART OF 1473750)
- 38 1803477 STEREO, REMOTE CNTRL N/DSPL BLK FACE/SS BZL
(2ND STEREO REMOTE CONTROL -TRANSOM)
(PREMIUM COCKPIT SOUND SYSTEM - 12 VOLT)
- 39 1838426 FLAG, USA 16" X 24"
(HULL# 1238 -> UP)
(FLAG POLE & BASE, U.S. FLAG)
- 40 1838431 POLE, FLAGSTAFF SS MAGNETIC SPRTBT/SPRTCRSR
(HULL# 1238 -> UP)
(FLAG POLE & BASE, U.S. FLAG)
- 41 1848879 HOLDER, FLUSH MOUNT MAGNETIC STERN FLAG POLE
(HULL# 1238 -> UP)
(FLAG POLE & BASE, U.S. FLAG)
- 42 1854249 CLIP, FLAG KEY RING 302SS
(HULL# 1255 -> UP)
(FLAG POLE & BASE, U.S. FLAG)
- 706747 CLIP, FLAG
(HULL# 1238 -> 1254)
(FLAG POLE & BASE, U.S. FLAG)

COAST GUARD KIT

- 1848242 KIT, SAFETY PACKAGE-SPCRUIS W/WHT FNDRS/LINE

LABELS

- 1743571 LABEL, DANGER TRANSOM DOOR (LEXAN)
- 1743616 LABEL, UNPLUG SHORE POWER WARNING
- 1745125 LABEL, SKI TOW ROPE BACKLASH
- 1745162 LABEL, LEAVING DOCKSIDE WTR CONNECTED WARNING
- 1757259 LABEL, GALVANIC ISOLATOR INSTALLED REVERSE...
- 1811367 LABEL, DANGER CO TRANSOM 06



EXTERIOR (WINDSHIELD)

NOT SHOWN (continued)

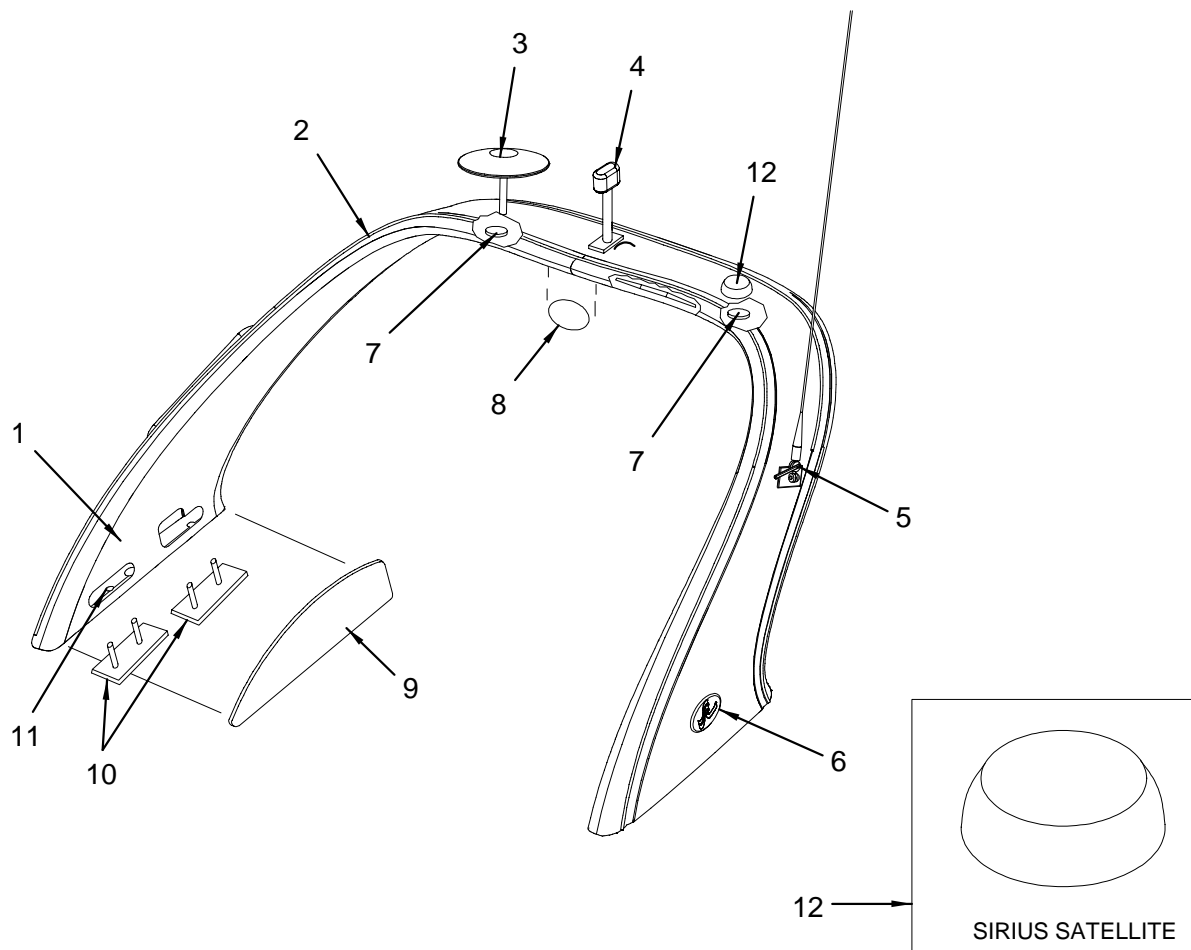
- 1 1733414 W/S, 280DA-03 CMPLT PAINTED W/SNAP TRACK
(NOTE: ORDER DIRECT FROM TAYLOR)
- 2 1739076 W/S, 280DA-03 STB FRNT WING
(PART OF 1733414)
(NOTE: ORDER DIRECT FROM TAYLOR)
- 3 1478940 SUPPORT, W/S 280DA-01 STBD
- 4 1739077 W/S, 280DA-03 CTR
(PART OF 1733414)
(NOTE: ORDER DIRECT FROM TAYLOR)
- 5 1319854 SUPPORT, W/S 270SDA-00 PORT
- 6 1739075 W/S, 280DA-03 PRT FRNT WING
(PART OF 1733414)
(NOTE: ORDER DIRECT FROM TAYLOR)
- 7 1748550 WIPER BLADE, 18" FLEX BLACK (AM)
- 8 1748549 WIPER ARM, 15"-19" BLACK (AM)
- 9 1748551 WIPER MOTOR, 100 DEG (AM)
1753304 HARNESS, MOTOR AM WIPER 6" PIGTAIL
- 10 334672 BUMPER, RECESSED WHT ROUND
- 11 1883342 280DA 07,STRAP,W/S BLK W/SNP CMPLT
156893 WEBBING, POLYPROPYLENE 1" BLACK

- 1785544 **(NOTE: ORDER DIRECT FROM TAYLOR)**
VINYL, W/S GASKET 2005

NOT SHOWN

- 1739078 W/S, 280DA-03 SCREW CVR
(PART OF 1733414)
(NOTE: ORDER DIRECT FROM TAYLOR)
- 1739079 W/S, 280DA-03 HDWR KIT
(PART OF 1733414)

EXTERIOR (SPOILER)



EXTERIOR (SPOILER)

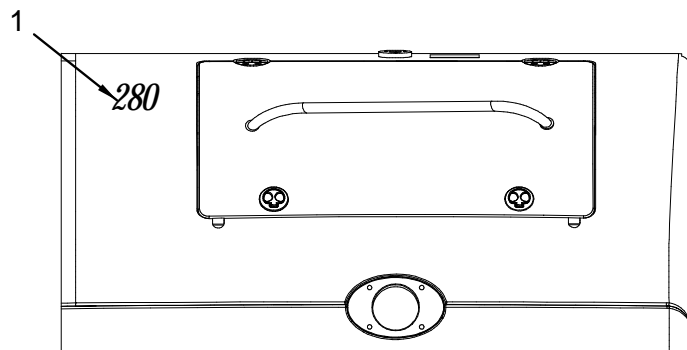
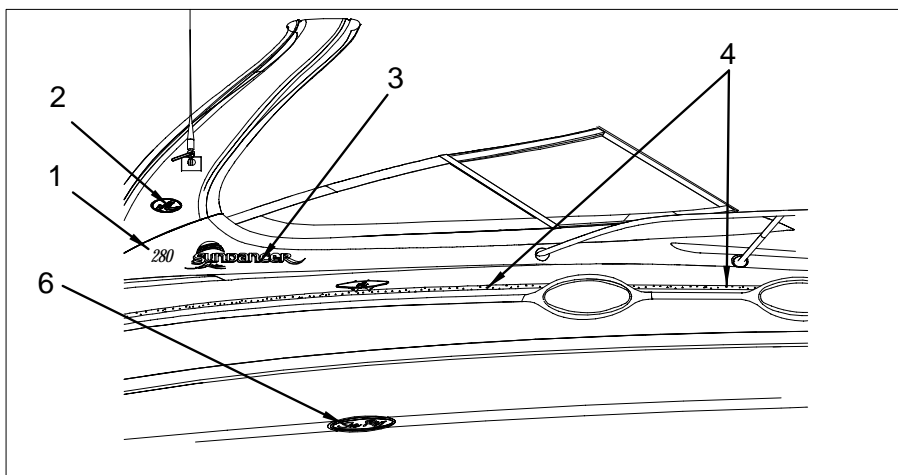
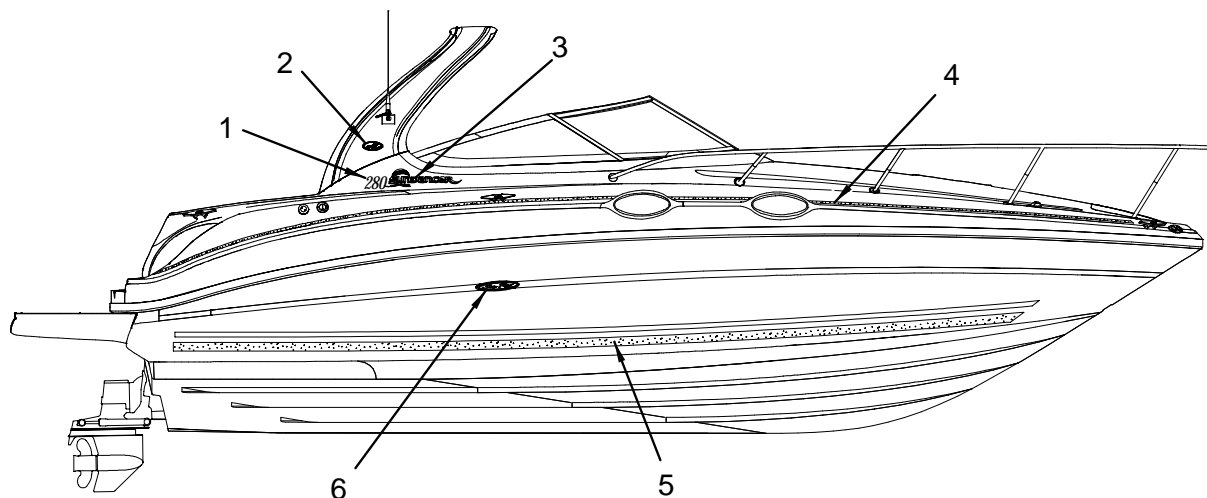
- 1 1491810 FBRGLS PART, 280DA-01 SPORT SPOILER
- 2 728014 TRACK, VINYL AWNING WHITE "FLEX-A-RAIL" 7.5"
- 3 792325 ANTENNA, TV GLOMAX ASSY W/CONN
(TV - FLAT SCREEN W/ DVD)
- 1803748 MOUNT, ANTENNA TV GLOMAX ASSY W/CONN
(PART OF 792325)
- 4 1754418 LIGHT, NAV MASTHEAD COMBO #1181 W/18" WIRE
- 291203 BULB, MASTHEAD NAV LIGHT 24V/10W
(REPLACEMENT BULB FOR 1754418)
- 646356 BULB, DBL END 12V FOR #0256313/794826
(REPLACEMENT BULB FOR 1754418)
- 5 1286913 ANTENNA, 8' VALOR 4000 W/O MNT W/O CONN
- 1481258 MOUNT, RATCHET VHF SS W/GROMET & GASKET
- 1274588 CONN, SOLDERLESS W/CTR PIN
- 184648 CONN, COUPLER TYPE PL-258
- 6 1443225 EMBLEM, S/R WAVE 8" OVAL CHR TRNSM
- 7 1227412 LIGHT, NAV STERN FLUSH MT RND CHR/BRS N/STUDS
- 901199 BULB, STERN NAV LIGHT REPL #137406-1227412
(REPLACEMENT BULB FOR 1227412)
- 8 137349 ACCESS PLATE, PLAS CVR 5" WHT
- 9 1558402 PLATE, HDPE 280DA-01 SPOILER ACCESS CVR
- 10 1576107 PLATE, ALUM 1/4"X 2"X 5.5" W/BOLTS ARCH MNT
- 11 152967 WASHER, FLAT #1/2" SS
- 152785 NUT, HEX NYLON LOCK #1/2-13 SS
- 12 1757933 ANTENNA, SHAKESPEARE SATELLITE RADIO ANTENNA
- 1806416 DECAL, SIRIUS "NOW PLAYING INSIDE"

- 12 1808431 DECAL, SIRIUS ACTIVATION ORNG/BLUE 6 MONTH
- 1772076 EXTENSION, CABLE 20'/15' FM RECEIVER W/CONN

NOT SHOWN

- 1589217 HARNESS, 280DA-01 SPOILER OPT REV1

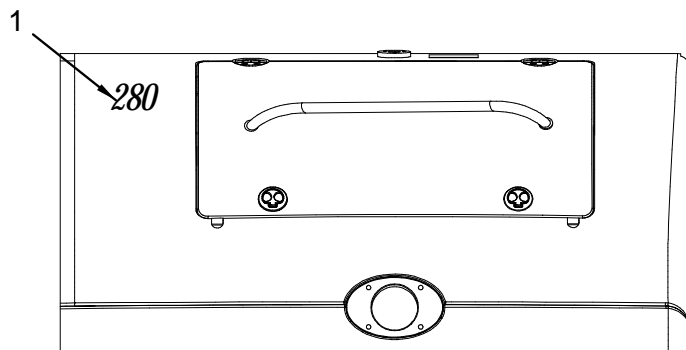
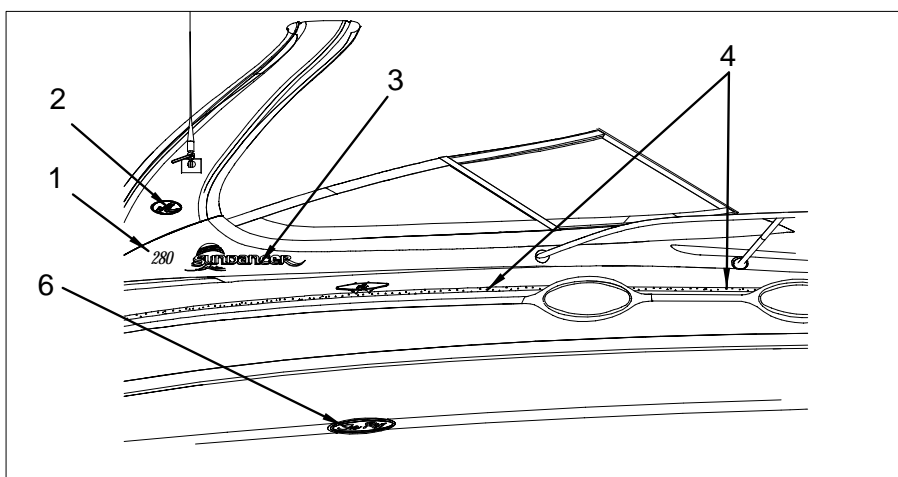
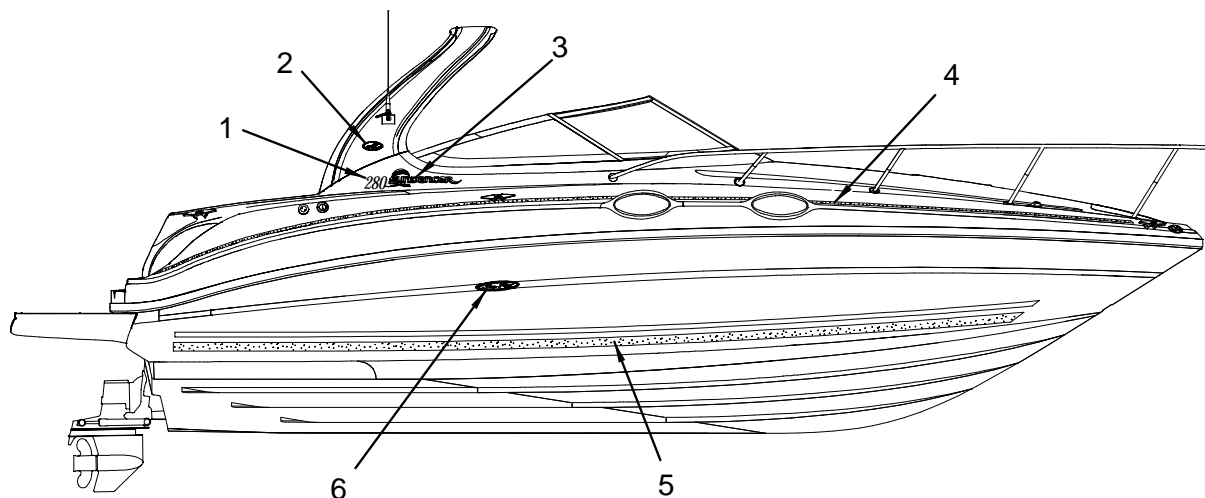
EXTERIOR (GRAPHICS) BLUE



EXTERIOR (GRAPHICS) BLUE

- 1 1512896 EMBLEM, MODEL DESG 280 URETHANE CHR W/BLK
- 1734158 EMBLEM, MODEL DESG 315 URETHANE BLK
("315DA" MODEL DESIGNATORS)
- 2 1443225 EMBLEM, S/R WAVE 8" OVAL CHR TRNSM
- 3 1756555 DECAL, "SUNDANCER" DKBL/SLVR MET
- 4 1753016 TAPE, M/S 1"W/1/4"VOID SLVR MET/DK BLUE
- 5 1756549 TAPE, M/S 4"W/1"VOID DKBL/SLVR MET
- 6 1443183 EMBLEM, "SEA RAY" SCRIPT HULL LOGO CHR 13"

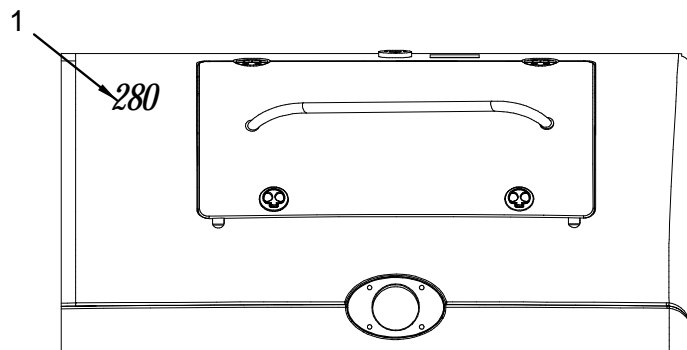
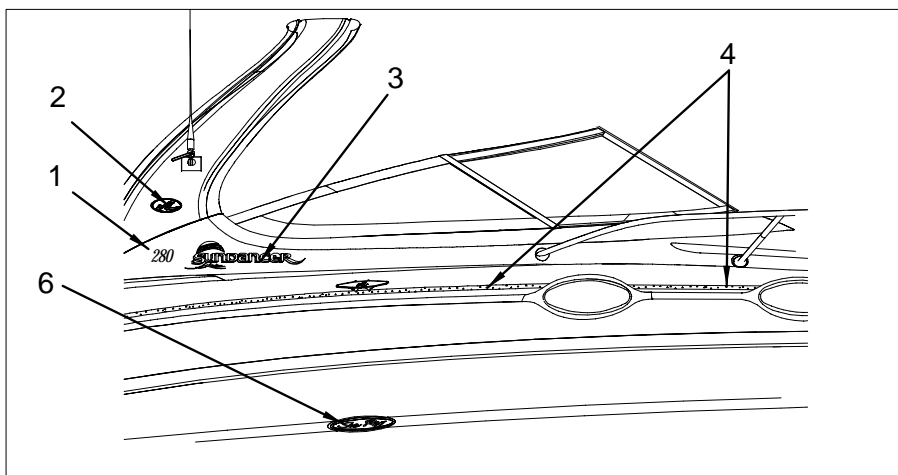
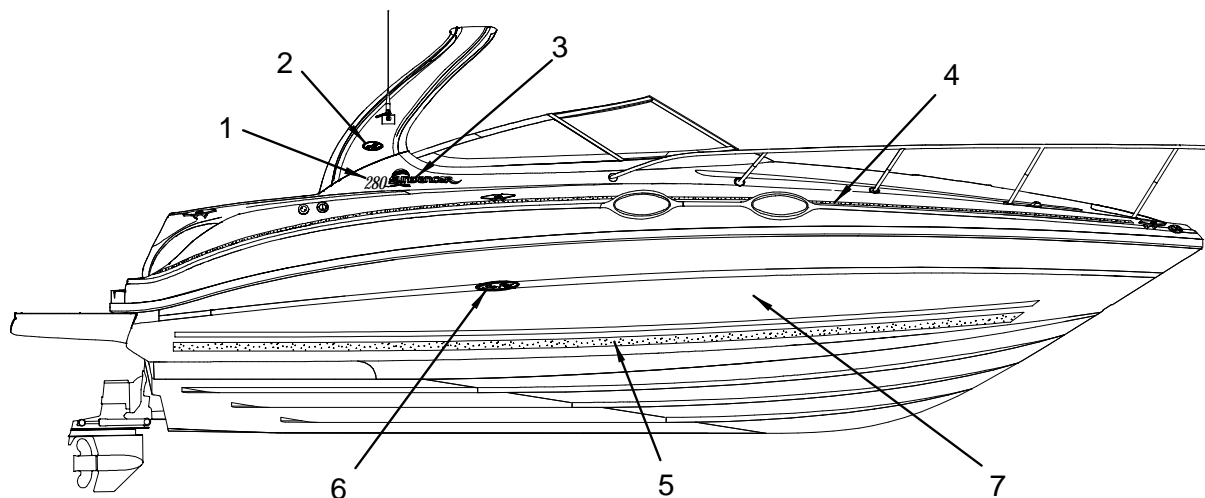
EXTERIOR (GRAPHICS) BLACK



EXTERIOR (GRAPHICS) BLACK

- 1 1512896 EMBLEM, MODEL DESG 280 URETHANE CHR W/BLK
- 1734158 EMBLEM, MODEL DESG 315 URETHANE BLK
("315DA" MODEL DESIGNATORS)
- 2 1443225 EMBLEM, S/R WAVE 8" OVAL CHR TRNSM
- 3 1756554 DECAL, "SUNDANCER" BLK/SLVR MET
- 4 1753919 TAPE, M/S 1"W/1/4"VOID BLK/SLVR MET
- 5 1756548 TAPE, M/S 4"W/1"VOID BLK/SLVR MET
(NOTE: 150 FOOT ROLL OF TAPE)
- 1847819 TAPE, M/S 4"W/1"VOID BLK/SLVR MET
(NOTE: 75 FOOT ROLL OF TAPE)
- 6 1443183 EMBLEM, "SEA RAY" SCRIPT HULL LOGO CHR 13"

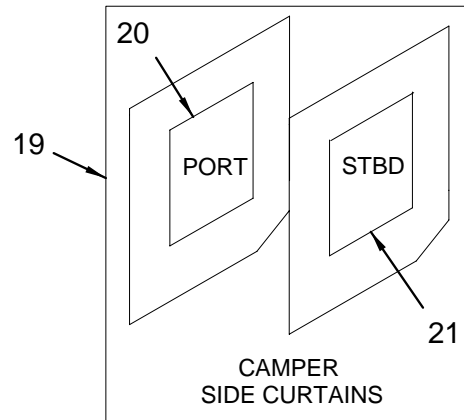
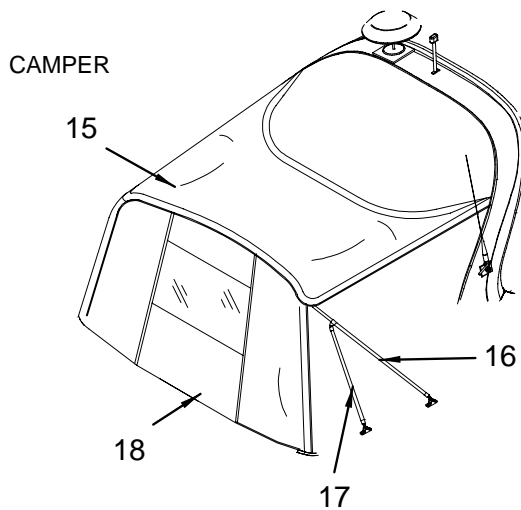
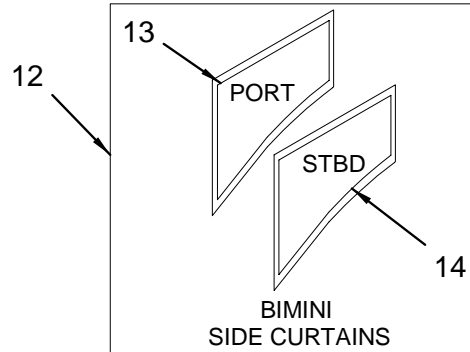
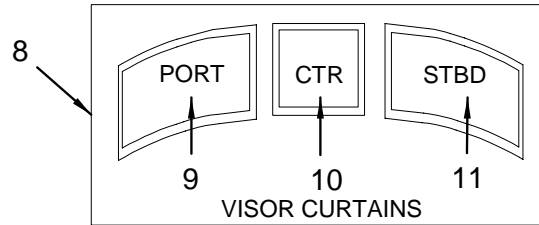
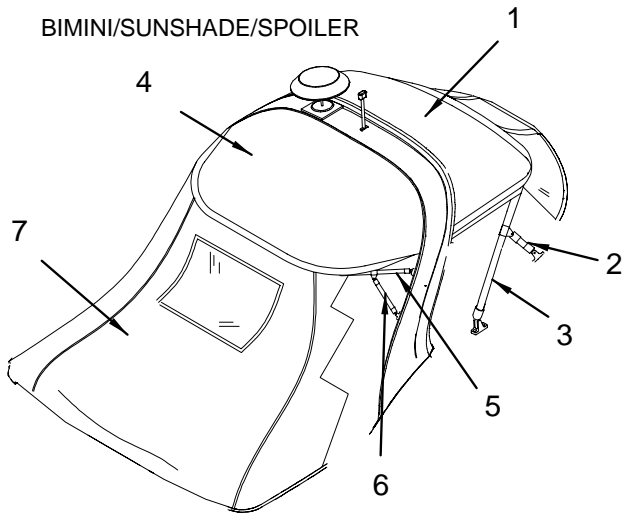
EXTERIOR (GRAPHICS) COLORED HULL



EXTERIOR (GRAPHICS) COLORED HULL

- 1 1512896 EMBLEM, MODEL DESG 280 URETHANE CHR W/BLK
- 1734158 EMBLEM, MODEL DESG 315 URETHANE BLK
("315DA" MODEL DESIGNATORS)
- 2 1443225 EMBLEM, S/R WAVE 8" OVAL CHR TRNSM
- 3 1756555 DECAL, "SUNDANCER" DKBL/SLVR MET
(BLUE COLORED HULL)
- 1756554 DECAL, "SUNDANCER" BLK/SLVR MET
(BLACK & PEWTER COLORED HULL)
- 4 1753016 TAPE, M/S 1"W/1/4"VOID SLVR MET/DK BLUE
(BLUE COLORED HULL)
- 1753919 TAPE, M/S 1"W/1/4"VOID BLK/SLVR MET
(BLACK & PEWTER COLORED HULL)
- 5 1753015 TAPE, SOLID 3" WHT/WELL AMETHYST N/VOID
(BLUE COLORED HULL)
- 1804765 TAPE, SOLID 3" PRL WHT/BLKMET N/VOID
(BLACK & PEWTER COLORED HULL)
- 6 1443183 EMBLEM, "SEA RAY" SCRIPT HULL LOGO CHR 13"

CANVAS (BLUE)



CANVAS HARDWARE

SHOCK CORD CLIP 22	LACING KNOB 23	PLASTIC PULL TAB 24	END CAP 25	END CAP 26	INSERT 27	JAW SLIDE 28	JAW SLIDE 29	PULL PIN 30
PULL PIN 31	RADIUS HINGE 32	RADIUS HINGE 33	SLIDE 34	SIDE SPACER 35	STRAIGHT HINGE 36	STRAIGHT HINGE 37	STRAP EYE 38	

CANVAS (BLUE)

1	1754178	CANVAS, 280DA-04 BIM TOP W/ARCH CAP NAVY
	1770814	CANVAS, 280DA-04 BIM TOP FAB W/ARCH CAPT NVY
	1792225	CANVAS, 280DA-04 BIM TOP W/ARCH VAL CAP NAVY
	1754180	CANVAS, 280DA-04 BIM TOP BOOT W/ARCH CAP NAVY
2	1777144	CANVAS, 280DA-04 BIM TOP REAR STANCH/STP
3	1777141	CANVAS, 280DA-04 BIM TOP MAIN BOW W/HDWR
4	1754182	CANVAS, 280DA-04 SNSHD TOP W/ARCH CAP NAVY
	1770786	CANVAS, 280DA-04 SNSHD TOP FAB W/ARCH MEDB
	1770787	CANVAS, 280DA-04 SNSHD VALANCE MEDB
5	1777146	CANVAS, 280DA-05 SNSHD MAIN BOW W/HDWR
	1777145	CANVAS, 280DA-04 SNSHD TOP BOWS W/HDWR
	1777147	CANVAS, 280DA-05 SNSHD TOP MNTG PKG
6	1777148	CANVAS, 280DA-04 SNSHD REAR STANCH/STP
7	1754187	CANVAS, 280DA-04 SNSHD AFT CURT CAP NAVY
8	1754188	CANVAS, 280DA-04 VSR CURT W/ARCH 3PC CLR/CPNV
9	1771389	CANVAS, 280DA-04 VSR CURT W/ARCH PRT CLR/CPNV
10	1771391	CANVAS, 280DA-04 VSR CURT W/ARCH CTR CLR/CPNV
11	1771395	CANVAS, 280DA-04 VSR CURT W/ARCH STB CLR/CPNV
12	1754184	CANVAS, 280DA-04 SIDE CURT SET W/ARCH CAP NAV
13	1771399	CANVAS, 280DA-04 SIDE CURT PRT W/ARCH CPT NVY
14	1771403	CANVAS, 280DA-04 SIDE CURT STB W/ARCH CPT NVY
15	1754192	CANVAS, 280DA-04 CAMP CMLPT W/ARCH N/BOOT CPNV
	1754191	CANVAS, 280DA-04 CAMP TOP BOOT W/ARCH CAP NAV
	1770846	CANVAS, 280DA-04 CAMP TOP FAB W/ARCH CAPT NVY
16	1777150	CANVAS, 280DA-04 CAMP TOP MAIN BOW W/HDWR
	1777153	CANVAS, 280DA-05 CAMP TOP MNTG PKG
17	1777151	CANVAS, 280DA-04 CAMP TOP 2ND BOW W/HDWR
18	1771407	CANVAS, 280DA-04 CAMP AFT CURT W/ARCH CPT NVY
19	1771411	CANVAS, 280DA-04 CAMP SIDE CURT SET/ARCH CPNV
20	1771415	CANVAS, 280DA-04 CAMP SIDE CURT PRT/ARCH CPNV
21	1771446	CANVAS, 280DA-04 CAMP SIDE CURT STB/ARCH CPNV
22	1778676	CLIP, SHOCKCORD/CVR WHT W/ELAS 04
23	1761645	KNOB, SHOCKCORD LACING
24	1778677	CLIP, WHT PLAS TAB W/CORD
25	221085	CAP, SS EYE END 7/8"
26	1760354	CAP, SS EYE END BALL/SOCKET TYPE
27	1760358	INSERT, DECK HINGE BALL/SOCKET BLK
28	439307	SLIDE, JAW SLIDE 7/8"
29	1760355	SLIDE, JAW SLIDE BALL/SOCKET TYPE SS
30	1760595	PIN, PULL BALL/SOCKET TYPE W/RING LNYRD BLK
31	1357854	PIN, PULL 1.25" TOGGLE W/RING LNYRD SPRING SS
32	174953	HINGE, DECK CONCAVE 1" SS CONV TOP
33	1760357	HINGE, DECK RADIUS BALL/SOCKET TYPE SS
34	1536051	SLIDE, W/S CANVAS TRACK PORT
	1536069	SLIDE, W/S CANVAS TRACK STBD
	1738744	KNOB, W/S CANVAS TRACK PRT & STB
35	580688	SPACER, SIDE CURTAIN 7/8"
36	174995	HINGE, DECK FLAT 1" CONV TOP SS
37	1760356	HINGE, DECK FLAT BALL/SOCKET TYPE SS
38	195412	EYE, STRAP EYE (SNAP EYE) CHROME (CONV TOP)

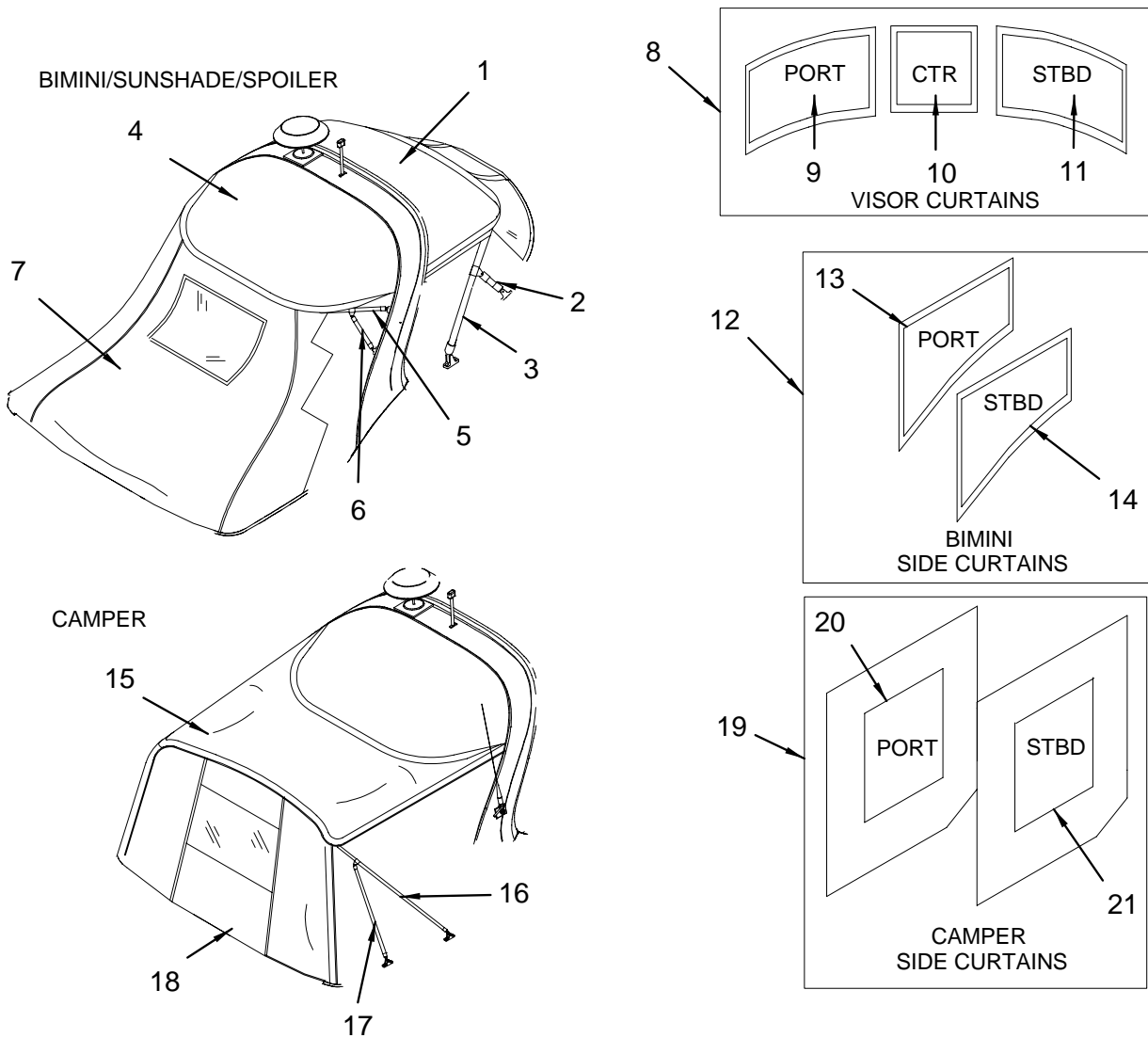
COCKPIT COVER

	1754193	CANVAS, 280DA-04 BIM CPC W/ARCH CAP NAVY
	1754222	CANVAS, 280DA-04 CPC W/CAMP W/ARCH CAP NAVY
	1811351	POLE, TONNEAU/CKPT CVR SUPPORT ADJ

STORAGE BAG

	963876	CANVAS, SPBOAT STRG BAG 10X80 XLRG GREY 97
--	--------	--

CANVAS (BLACK)



CANVAS HARDWARE

SHOCK CORD CLIP 22	LACING KNOB 23	PLASTIC PULL TAB 24	END CAP 25	END CAP 26	INSERT 27	JAW SLIDE 28	JAW SLIDE 29	PULL PIN 30
PULL PIN 31	RADIUS HINGE 32	RADIUS HINGE 33	SLIDE 34	SIDE SPACER 35	STRAIGHT HINGE 36	STRAIGHT HINGE 37	STRAP EYE 38	

CANVAS (BLACK)

1	1653088	CANVAS, 280DA-02 BIM TOP W/ARCH BLK
	1770816	CANVAS, 280DA-04 BIM TOP FAB W/ARCH BLK
	1792240	CANVAS, 280DA-02 BIM TOP W/ARCH VAL BLK
	1653104	CANVAS, 280DA-02 BIM TOP BOOT W/ARCH BLK
2	1777144	CANVAS, 280DA-04 BIM TOP REAR STANCH/STP
3	1777141	CANVAS, 280DA-04 BIM TOP MAIN BOW W/HDWR
4	1653195	CANVAS, 280DA-02 SNSHD TOP W/ARCH BLK
	1653252	CANVAS, 280DA-02 SNSHD VALANCE BLK
5	1777146	CANVAS, 280DA-05 SNSHD MAIN BOW W/HDWR
	1777145	CANVAS, 280DA-04 SNSHD TOP BOWS W/HDWR
	1777147	CANVAS, 280DA-05 SNSHD TOP MNTG PKG
6	1777148	CANVAS, 280DA-04 SNSHD REAR STANCH/STP
7	1756866	CANVAS, 280DA-04 SNSHD AFT CURT BLK
8	1653153	CANVAS, 280DA-02 VSR CURT W/ARCH 3PC CLR/BLK
9	1784427	CANVAS, 280DA-04 VSR CURT W/ARCH PRT CLR/BLK
10	1771393	CANVAS, 280DA-04 VSR CURT W/ARCH CTR CLR/BLK
11	1771397	CANVAS, 280DA-04 VSR CURT W/ARCH STB CLR/BLK
12	1653112	CANVAS, 280DA-02 SIDE CURT SET W/ARCH BLK
13	1771401	CANVAS, 280DA-04 SIDE CURT PRT W/ARCH BLK
14	1771405	CANVAS, 280DA-04 SIDE CURT STB W/ARCH BLK
15	1756867	CANVAS, 280DA-04 CAMP CMPLT W/ARC N/BOOT BLK
	1653310	CANVAS, 280DA-02 CAMP TOP BOOT W/ARCH BLK
	1770851	CANVAS, 280DA-04 CAMP CMPLT FAB W/ARC BLK
16	1777150	CANVAS, 280DA-04 CAMP TOP MAIN BOW W/HDWR
	1777153	CANVAS, 280DA-05 CAMP TOP MNTG PKG
17	1777151	CANVAS, 280DA-04 CAMP TOP 2ND BOW W/HDWR
18	1771409	CANVAS, 280DA-04 CAMP AFT CURT W/ARCH BLK
19	1771413	CANVAS, 280DA-04 CAMP SIDE CURT SET/ARCH BLK
20	1771417	CANVAS, 280DA-04 CAMP SIDE CURT PRT/ARCH BLK
21	1771448	CANVAS, 280DA-04 CAMP SIDE CURT STB/ARCH BLK
22	1778676	CLIP, SHOCKCORD/CVR WHT W/ELAS 04
23	1761645	KNOB, SHOCKCORD LACING
24	1778677	CLIP, WHT PLAS TAB W/CORD
25	221085	CAP, SS EYE END 7/8"
26	1760354	CAP, SS EYE END BALL/SOCKET TYPE
27	1760358	INSERT, DECK HINGE BALL/SOCKET BLK
28	439307	SLIDE, JAW SLIDE 7/8"
29	1760355	SLIDE, JAW SLIDE BALL/SOCKET TYPE SS
30	1760595	PIN, PULL BALL/SOCKET TYPE W/RING LNYRD BLK
31	1357854	PIN, PULL 1.25" TOGGLE W/RING LNYRD SPRING SS
32	174953	HINGE, DECK CONCAVE 1" SS CONV TOP
33	1760357	HINGE, DECK RADIUS BALL/SOCKET TYPE SS
34	1536051	SLIDE, W/S CANVAS TRACK PORT
	1536069	SLIDE, W/S CANVAS TRACK STBD
	1738744	KNOB, W/S CANVAS TRACK PRT & STB
35	580688	SPACER, SIDE CURTAIN 7/8"
36	174995	HINGE, DECK FLAT 1" CONV TOP SS
37	1760356	HINGE, DECK FLAT BALL/SOCKET TYPE SS
38	195412	EYE, STRAP EYE (SNAP EYE) CHROME (CONV TOP)

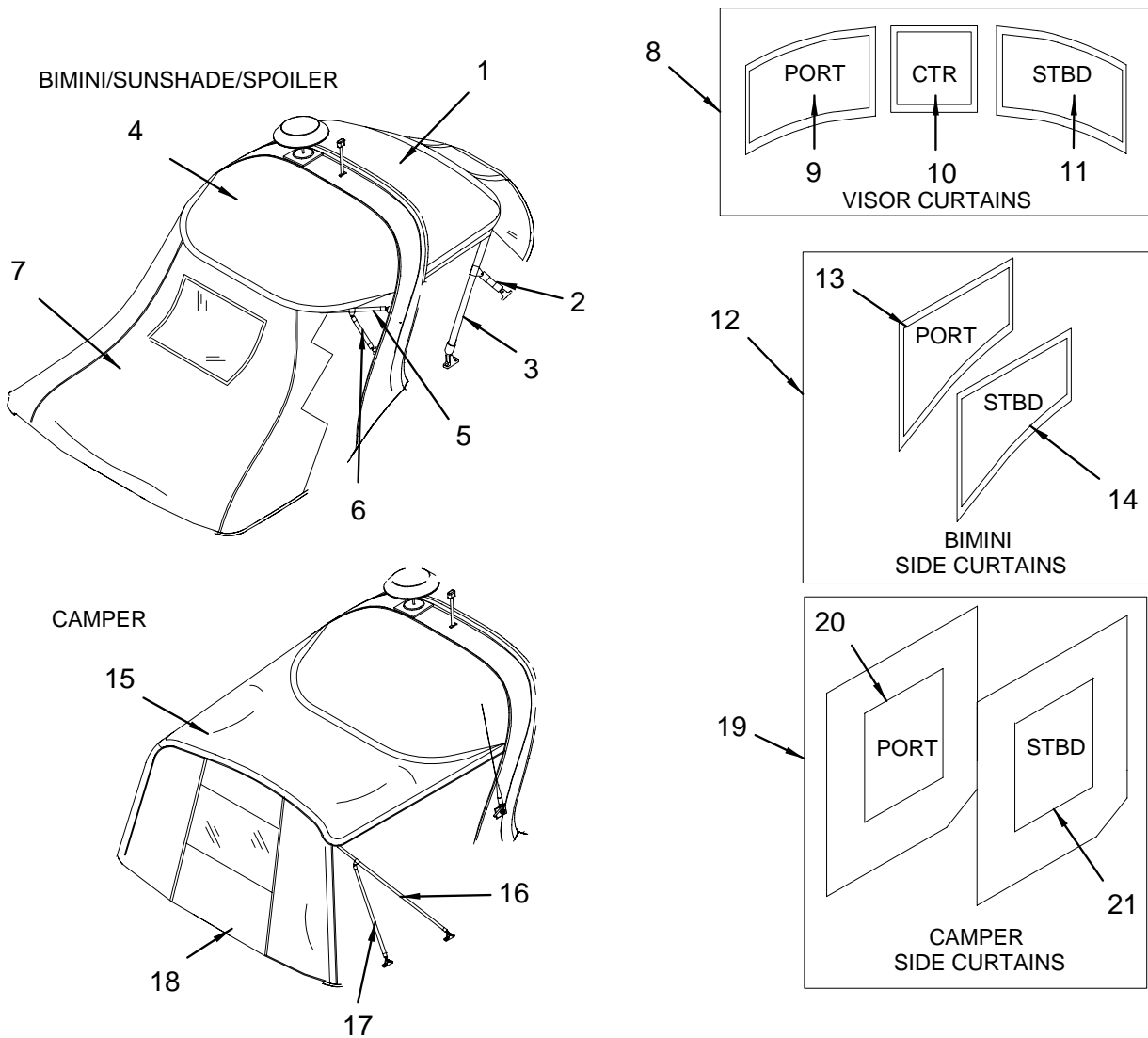
COCKPIT COVER

	1756868	CANVAS, 280DA-04 BIM CPC W/ARCH BLK
	1756869	CANVAS, 280DA-04 CPC W/CAMP W/ARCH BLK
	1811351	POLE, TONNEAU/CKPT CVR SUPPORT ADJ

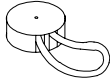









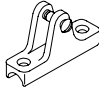

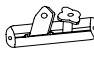
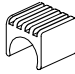
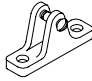


STORAGE BAG

	963876	CANVAS, SPBOAT STRG BAG 10X80 XLRG GREY 97
--	--------	--

CANVAS (WHITE)



CANVAS HARDWARE

SHOCK CORD CLIP  22	LACING KNOB  23	PLASTIC PULL TAB  24	END CAP  25	END CAP  26	INSERT  27	JAW SLIDE  28	JAW SLIDE  29	PULL PIN  30
PULL PIN  31	RADIUS HINGE  32	RADIUS HINGE  33	SLIDE  34	SIDE SPACER  35	STRAIGHT HINGE  36	STRAIGHT HINGE  37	STRAP EYE  38	

CANVAS (WHITE)

1	1819688	CANVAS, 280DA-06 BIM TOP W/ARCH WHT
	1820354	CANVAS, 280DA-06 BIM TOP FAB W/ARCH STAMOID
	1819690	CANVAS, 280DA-06 BIM TOP BOOT W/ARCH WHT
	1820355	CANVAS, 280DA-06 BIM TOP W/ARCH VAL STAMOID
2	1777144	CANVAS, 280DA-04 BIM TOP REAR STANCH/STP
3	1777141	CANVAS, 280DA-04 BIM TOP MAIN BOW W/HDWR
4	1819691	CANVAS, 280DA-06 SNSHD TOP W/ARCH WHT
	1820356	CANVAS, 280DA-06 SNSHD TOP FAB W/ARCH STAMOID
	1820357	CANVAS, 280DA-06 SNSHD VAL STAMOID
5	1777146	CANVAS, 280DA-05 SNSHD MAIN BOW W/HDWR
	1777145	CANVAS, 280DA-04 SNSHD TOP BOWS W/HDWR
	1777147	CANVAS, 280DA-05 SNSHD TOP MNTG PKG
6	1777148	CANVAS, 280DA-04 SNSHD REAR STANCH/STP
7	1819694	CANVAS, 280DA-06 SNSHD AFT CURT WHT
8	1819696	CANVAS, 280DA-06 VSR CURT W/ARCH 3PC CLR/WHT
9	1820358	CANVAS, 280DA-06 VSR CURT W/ARCH PRT CLR/STAM
10	1820359	CANVAS, 280DA-06 VSR CURT W/ARCH CTR CLR/STAM
11	1820360	CANVAS, 280DA-06 VSR CURT W/ARCH STB CLR/STAM
12	1819693	CANVAS, 280DA-06 SIDE CURT SET W/ARCH WHT
13	1820361	CANVAS, 280DA-06 SIDE CURT PRT W/ARCH STAMOID
14	1820362	CANVAS, 280DA-06 SIDE CURT STB W/ARCH STAMOID
15	1819698	CANVAS, 280DA-06 CAMP CMLT W/ARCH N/BOOT WHT
	1819697	CANVAS, 280DA-06 CAMP TOP BOOT W/ARCH WHT
	1820363	CANVAS, 280DA-06 CAMP TOP FAB W/ARCH STAMOID
16	1777150	CANVAS, 280DA-04 CAMP TOP MAIN BOW W/HDWR
	1777153	CANVAS, 280DA-05 CAMP TOP MNTG PKG
17	1777151	CANVAS, 280DA-04 CAMP TOP 2ND BOW W/HDWR
18	1820364	CANVAS, 280DA-06 CAMP AFT CURT W/ARCH STAMOID
19	1820365	CANVAS, 280DA-06 CAMP SIDE CURT SET/ARCH STAM
20	1820366	CANVAS, 280DA-06 CAMP SIDE CURT PRT/ARCH STAM
21	1820367	CANVAS, 280DA-06 CAMP SIDE CURT STB/ARCH STAM
22	1778676	CLIP, SHOCKCORD/CVR WHT W/ELAS 04
23	1761645	KNOB, SHOCKCORD LACING
24	1778677	CLIP, WHT PLAS TAB W/CORD
25	221085	CAP, SS EYE END 7/8"
26	1760354	CAP, SS EYE END BALL/SOCKET TYPE
27	1760358	INSERT, DECK HINGE BALL/SOCKET BLK
28	439307	SLIDE, JAW SLIDE 7/8"
29	1760355	SLIDE, JAW SLIDE BALL/SOCKET TYPE SS
30	1760595	PIN, PULL BALL/SOCKET TYPE W/RING LNYRD BLK
31	1357854	PIN, PULL 1.25" TOGGLE W/RING LNYRD SPRING SS
32	174953	HINGE, DECK CONCAVE 1" SS CONV TOP
33	1760357	HINGE, DECK RADIUS BALL/SOCKET TYPE SS
34	1536051	SLIDE, W/S CANVAS TRACK PORT
	1536069	SLIDE, W/S CANVAS TRACK STBD
	1738744	KNOB, W/S CANVAS TRACK PRT & STB
35	580688	SPACER, SIDE CURTAIN 7/8"
36	174995	HINGE, DECK FLAT 1" CONV TOP SS
37	1760356	HINGE, DECK FLAT BALL/SOCKET TYPE SS
38	195412	EYE, STRAP EYE (SNAP EYE) CHROME (CONV TOP)

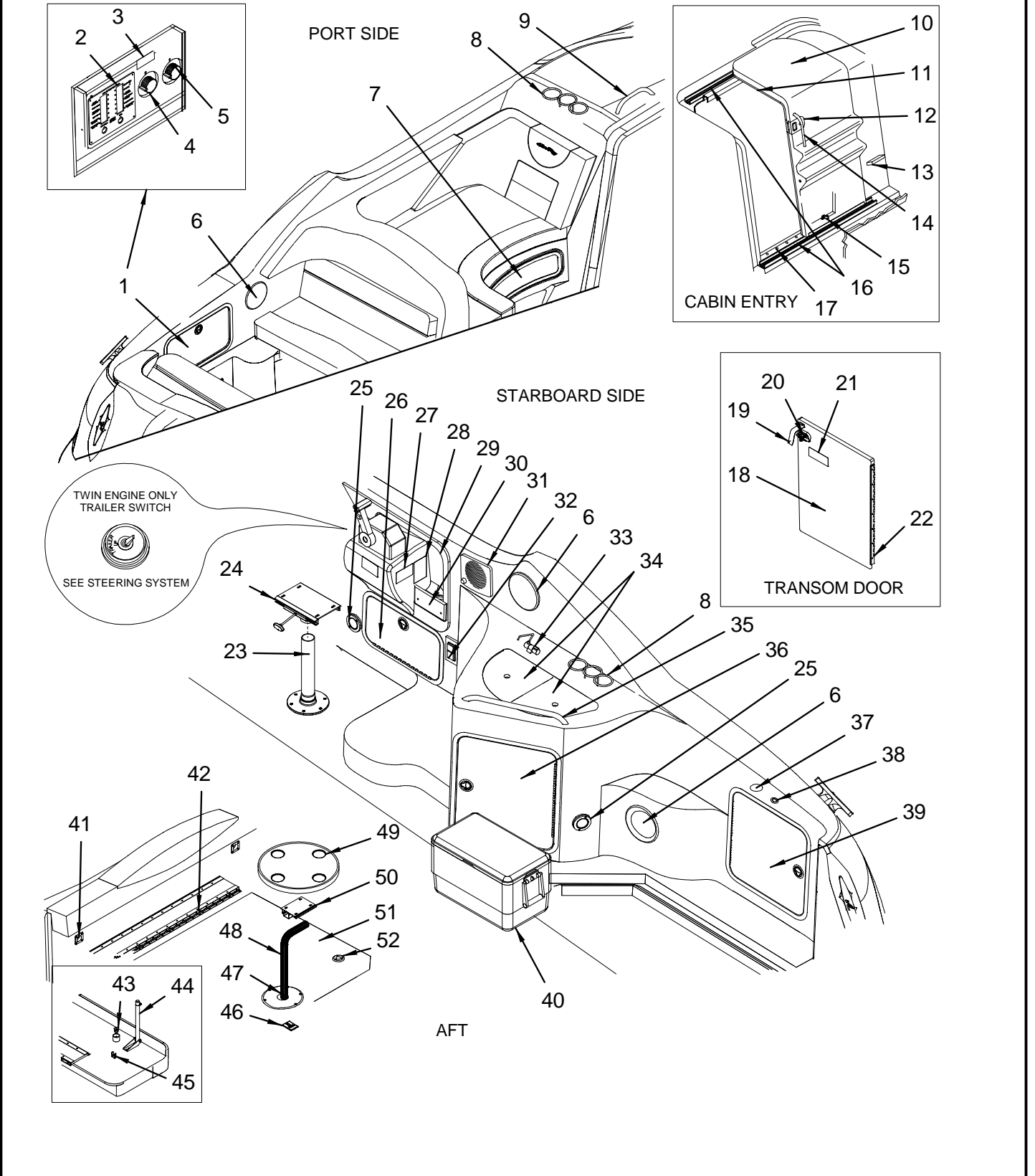
COCKPIT COVER

	1819700	CANVAS, 280DA-06 BIM CPC W/ARCH WHT
	1819701	CANVAS, 280DA-06 CPC W/CAMP W/ARCH WHT
	1811351	POLE, TONNEAU/CKPT CVR SUPPORT ADJ

STORAGE BAG

	963876	CANVAS, SPBOAT STRG BAG 10X80 XLRG GREY 97
--	--------	--

COCKPIT

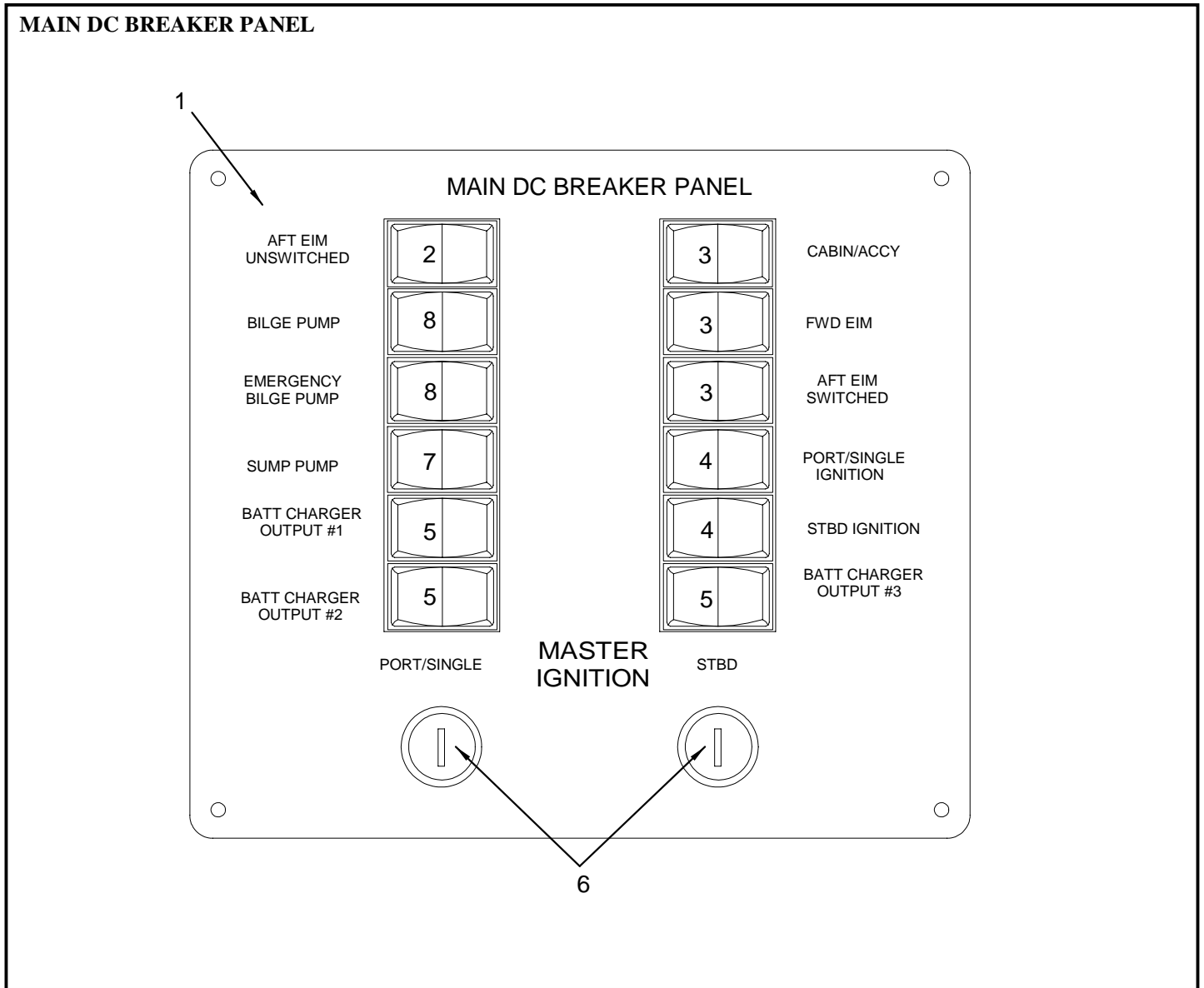


COCKPIT

1	1783214	DOOR, STRG W/20"X 11" ARW FRAME W/SS STHCO	26	1781436	PLATE, FLAT BRKT 2"SHORT SCREW W/HDWR PKG	
2	1685901	PANEL, 280DA/290BR/SS-02 MDC BRKR SE GAS/DSL	27	1752709	PLATE, NMMA YACHT CERT GAS	
	1479310	PANEL, BLANK:280DA/290BR/SS-01 MDC BRKR (BLANK PANEL FOR 1685901)		1142520	PLATE, CE OPT B:10PERSON/1180KG (CE OPTION GROUP)	
3	1746901	LABEL, CAUTION BATTERY SWITCH OFF/ALT DAMAGED		1741221	LABEL, STICKER 280DA CANADIAN CONFORMITY (CANADIAN CONFORMITY STICKER)	
4	1726840	SWITCH, BATTERY SEL W/O LOCK W/O DISC REV 1		1888196	PLATE, BUILDERS AU 07-280DA (FOR BOATS BUILT IN 2007) (AUSTRALIAN BUILDERS PLATE)	
5	1726841	SWITCH, BATTERY ON/OFF N/LCK N/DISC RV1 (GAS - TWIN ENGINES)		1850620	PLATE, BUILDERS AU 06-280DA (FOR BOATS BUILT IN 2006) (AUSTRALIAN BUILDERS PLATE)	
	136150	SWITCH, BATTERY ON/OFF DSL W/DISC (SINGLE - DIESEL ENGINE)		28	598169	HALON CABLE, MANUAL PULL CABLE 18'
6	1690557	SPEAKER, COAXIAL 6.5" N/CVR		1835946	FIRE EXT SYS, FE241 (SR) 150CF MAN/AUTO (HULL# 1230 -> UP)	
	1690558	GRILL, SPEAKER 6.5" ACOM WHT		609081	HALON SYS, MANUAL/AUTO 150CF (HULL# 1201 -> 1229)	
	701904	WIRE, 16/2 RED/CLR SPKR OXYGEN-FREE CPR		1642263	FIRE EXT SYS, FM200 150CF GAS/DSL-MAN/AUTO (C E OPTION GROUP) (FIRE SUPPRESSION FM 200-CANADA & AUSTRALIA)	
	1854215	SPEAKER, JL COMPONENT (HULL# 1372 -> UP) (GRILL NOT SOLD SEPARATELY AT THIS TIME) (PREMIUM COCKPIT SOUND SYSTEM - 12 VOLT)		1799844	HALON SYS, INDICATOR LIGHT 12V GRN (C E OPTION GROUP) (FIRE SUPPRESSION FM 200-CANADA & AUSTRALIA)	
	1784476	SPEAKER, POLK/MOMO 6.5"MD-RNG/TWTR/CRSOVR WHT (HULL# 1201 -> 1371) (GRILL NOT SOLD SEPARATELY AT THIS TIME) (PREMIUM COCKPIT SOUND SYSTEM - 12 VOLT)		1148857	HALON SYS, ENG INTRUPT/RESTR 12V 5-CKT (D6-310DPH (298 PHP) VOLVO DIESEL STERN DR.)	
	1849195	SPEAKER, 10" SUBWOOFER MARINE WHT (HULL# 1372 -> UP) (PREMIUM COCKPIT SOUND SYSTEM - 12 VOLT)	29	1873227	280DA 07.BOX,SHIFTER FBRGLS	
	1892022	GRILL, 10" SUBWOOFER MARINE WHT W/BLK LOGO (PART OF 1849195)	30	1512953	INSERT, HDPE 280DA-01 THRTL BOX/DRNKHLD R WHT	
	1764471	SPEAKER, POLK/MOMO 10" SUBWOOFER RV1 (HULL# 1201 -> 1371) (PREMIUM COCKPIT SOUND SYSTEM - 12 VOLT)		1799559	INSERT, HDPE 280DA-05 THRTL BOX/DRNKHLD R NCKL (GEL-COATED DASH)	
	1774181	GRILL, 10" SUBWOOFER POLK/MOMO G10 WHT (HULL# 1201 -> 1371) (PREMIUM COCKPIT SOUND SYSTEM - 12 VOLT)	31	1807911	SPEAKER, REMOTE NRTHSTR VHF BLKBOX (HULL# 1287 -> UP) (PART OF 1807449)	
	1185081	BRKR, SURF MNT THERMAL 50AMP MANUAL RESET (PREMIUM COCKPIT SOUND SYSTEM - 12 VOLT)		1807869	HARNES, NRTHSTR VHF BLKBX TO SPKR CBL 72" (HULL# 1287 -> UP) (PART OF 1807449)	
	1758576	CABLE, RCA AUDIO EFX-2 "Y" ADAPTER (PREMIUM COCKPIT SOUND SYSTEM - 12 VOLT)	32	145136	RECEPTACLE, CORR RESISTANT GREY	
	1760136	HARNES, 280DA-04 CKPT SYS (PREMIUM COCKPIT SOUND SYSTEM - 12 VOLT)		180067	COVER PLATE, WATERPROOF RECEPT W/2 DOORS	
	1764470	PLUG, HOLE M BRKR (PREMIUM COCKPIT SOUND SYSTEM - 12 VOLT)		1787565	RECEPTACLE, LEVITON EXT W/CVR 220/50 GERMAN (220 VOLT / 50 CYCLE ELECTRICAL SYSTEM)	
	1783978	BRKR, SURF MNT THERMAL 30AMP MANUAL RESET CB (PREMIUM COCKPIT SOUND SYSTEM - 12 VOLT)		627737	BOX, RECEPTACLE/SWITCH PVC 1-GANG DEEP	
7	960666	WINDOW, CKPT SEAT 9"X 30"W/34"RAD 290SDA 97	33	1775010	FAUCET, FOLD DOWN SGL TAP CHR	
	968164	SCREEN, CKPT SEAT 9"X 30" 290SDA 97	34	1476522	LID, HDPE 280DA-01 COOLER WET BAR ARW	
8	1750874	HOLDER, DRINK SS 3-RING 3" (KING)		1476514	SINK, V/F WET BAR ARW 280DA-01	
9	1780393	RAIL, GRAB 8.5" 316L SS W/GASKET		583427	DRAIN, W/PLUG 100DEG 3/4"BARB CHR	
10	1873155	280DA 07.DOOR,CABIN ENTR (SPECIFY WHITE OR NICKEL)		1734472	DRAIN ASSY, STOPPER #4202 MED BLK (PART OF 583427)	
11	1780215	NOSING, ALUM 5/8"X 12" T-1 ROUNDED BRUSHED		1476324	COOLER, 280DA-01 WET BAR ARW	
12	1479906	LOCK, CABIN DOOR OVAL SS FLUSH #7482	35	1753794	RAIL, GRAB 280DA-04 WETBAR FWD 316L SS	
13	1286947	STOP, HDPE 3/4"X 2"X 4" ENTRYWAY DOOR ARW	36	1783218	DOOR, STRG 17 X 20 280DA-05 ARWFRM W/SS STHCO	
14	1491737	RAIL, GRAB SS CABIN ENTRYWAY	37	154369	SNAP STUD, W/#8 X 3/8" PH SS	
15	1340959	STOP, SLIDING DOOR/WINDOW CHR HVY DTY	38	334672	BUMPER, RECESSED WHT ROUND	
16	1762782	TRACK, ALUM ANOD SLIDE ASSY 43"UPR/50"LWR RV2	39	1783294	DOOR, STRG N/NTCH W/17X17 WHT FRM L/R W/STHCO	
17	1508498	THRESHOLD, SS 280DA-01 ENTRYWAY	40	814012	COOLER, 36QT	
18	1649318	DOOR, HDPE 280DA-02 TRNSM		819656	COOLER, TIE DOWN IGLOO	
19	1883343	280DA 07,STRAP,TRNSM DOOR W/SNP CMLPT	41	1197912	INSERT, LEG SOCKET WHT PLAS (CUSTOM)	
	156893	WEBBING, POLYPROPYLENE 1" BLACK	42	1199249	SHIM, HDPE 260DA-99 CKPT AFT FOLDAWAY SEAT	
20	1518752	BOLT, BARREL TRANS DOOR FOR# 1196658 (SUPPLIED WITH TRANSOM DOOR)	43	1118314	CATCH, RBR SUNPAD HOLD-DOWN	
	190579	BUSHING, NYLON 0.76"OD X 3/8"SHAFT	44	1048099	SUPPORT, SWING LEG W/HINGED BASE 1"X 11.25" (PART OF 1788352)	
21	1743571	LABEL, DANGER TRANSOM DOOR (LEXAN)	45	590646	CLIP, POLE STRG BLK - MAST LIGHT (PART OF 1788352)	
22	844753	HINGE, SS CONT 2"X 15" W/1/8" PIN	46	1683350	PULL, FLUSH HATCH SS T-HNDL	
23	1154095	PEDESTAL, ALUM ADJ 11.25"-14.25" RIBBED/DELCP	47	876961	BASE, LEG/POST FLUSH MT ALUM	
24	1754578	SLIDE ASSY, SEAT MILLENNIUM 10.5" M/H LONG HDL (SUPPLIED WITH HELM SEAT)	48	1496868	POST, TABLE COLUMN "L" SHAPED 2.25" X 37"	
	1762918	HANDLE, MILLENNIUM SEAT SLIDE LONG W/O GRIP (PART OF 1754578)	49	864157	TABLE, T/F CKPT ROUND ARW 96	
	1762920	CAP, RUBBER MILLENNIUM SLIDE HANDLE GRIP (PART OF 1754578)	50	1496223	SUPPORT, TABLE SIDE MNT 2.25 ANOD	
	1762921	HANDLE, MILLENNIUM SLIDE C-T ADJUSTER (PART OF 1754578)	51	1873222	280DA 07,HATCH,ENG	
	1762922	PIN, ROLL MILLENNIUM SLIDE CAM LEVER (PART OF 1754578)	52	804740	INSERT, LEG SOCKET BLACK 1" (CUSTOM)	
	1762923	SCREW, MILLENNIUM SLIDE SMALL CAM LEVER (PART OF 1754578)	LABELS			
	1762924	LEVER, MILLENNIUM SLIDE SMALL CAM (PART OF 1754578)		1743534	LABEL, FRESH WATER (LEXAN)	
25	137380	LIGHT, NAV STERN FLUSH MT CKPT (COURTESY)		1745162	LABEL, LEAVING DOCKSIDE WTR CONNECTED WARNING	
	1200369	BULB, REPL FOR #0137380/#0783670 (REPLACEMENT BULB FOR 137380)		1745512	LABEL, STAY CLEAR OF MOVING PARTS ON ENGINE	
26	1783292	DOOR, STRG 9"X 17"WHT FRAME RH EXT W/SS STHCO		1746901	LABEL, CAUTION BATTERY SWITCH OFF/ALT DAMAGED	
	1765726	HINGE, SS 1 1/16"X 17" PIANO		1764402	LABEL, 7/16"X 7/8" CKPT STEREO CHG ADH/SUBSTR (PREMIUM COCKPIT SOUND SYSTEM - 12 VOLT)	
	1781434	LATCH, FLUSH MNT N/LOCKING SLAM SS	NOT SHOWN			
				1546274	SHELF, LDPVC 290BR-01 REFRIGERATOR	
				1551605	HOLDER, PVC 280DA-01 CKPT TABLE FACE GRY	
				1676816	T-MOLD, VINYL INSERT 5/8" POL CHR (FLEX)	
				178517	VELCRO, LOOP WHT 2"	
				826453	SHIM, DOOR STRIKER	
				836122	BRACKET, PVC 1.5"X 1.5"X 3" 3/16"HOLES	

NOT SHOWN (continued)

995647 BUMPER, BLACK .77W"X .38H" SCR DN PLAS ROUND
835819 BRACKET, ALUM 1"X 1"X 6" 3/16"HOLES



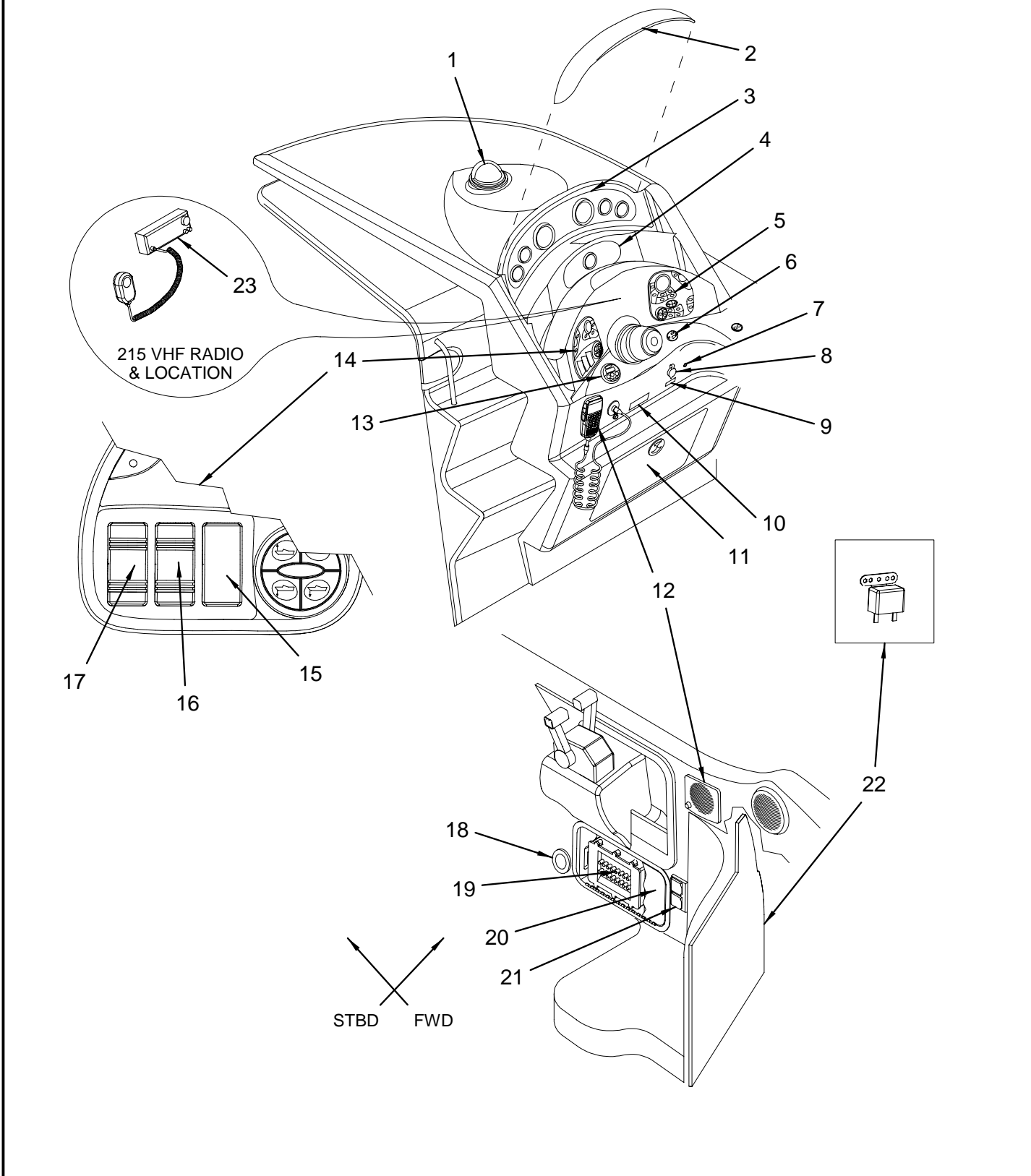
MAIN DC BREAKER PANEL

NOT SHOWN

- 1 1685901 PANEL, 280DA/290BR/SS-02 MDC BRKR SE GAS/DSL (GAS - SINGLE ENGINE)
- 1685902 PANEL, 280DA/290BR/SS-02 MDC BRKR TWN ENG (GAS - TWIN ENGINES)
- 1685903 PANEL, 280DA/290BR/SS-02 MDC BRKR VOLVO (DIESEL - SINGLE ENGINE)
- 1479310 PANEL, BLANK:280DA/290BR/SS-01 MDC BRKR (BLANK PANEL FOR 1685901, 1685902 & 1685903)
- 2 1412006 BRKR/ROCK, SGL-POLE MNL RSET DC IGNPRT 30A YL
- 3 1181775 BRKR/ROCK, SGL-POLE MNL RSET DC IGNPRT 50A YL
- 4 1181742 BRKR/ROCK, SGL-POLE MNL RSET DC IGNPRT 10A YL
- 5 1181767 BRKR/ROCK, SGL-POLE MNL RSET DC IGNPRT 20A YL
- 6 1544188 SWITCH, KEY ASHI DENSO
- 1666171 KEY, MSTR IGN MDB PNL "3103"
- 1666197 KEY, MSTR IGN MDB PNL "3110"
- 1666205 KEY, MSTR IGN MDB PNL "3112"
- 1666213 KEY, MSTR IGN MDB PNL "3113"
- 1666239 KEY, MSTR IGN MDB PNL "3135"
- 1666254 KEY, MSTR IGN MDB PNL "3203"
- 1666262 KEY, MSTR IGN MDB PNL "3210"
- 1666270 KEY, MSTR IGN MDB PNL "3212"
- 1666288 KEY, MSTR IGN MDB PNL "3213"
- 1666296 KEY, MSTR IGN MDB PNL "3235"
- 7 1181726 BRKR/ROCK, SGL-POLE MNL RSET DC IGNPRT 5A YLWL
- 8 1181734 BRKR/ROCK, SGL-POLE MNL RSET DC IGNPRT 6A YEL

- 432872 PLUG, BRKR/ROCK

COCKPIT (HELM)



COCKPIT (HELM)

- 1 1472042 COMPASS, FLUSH MT 4 3/16" WHT
1472802 COMPASS, FLUSH MT 4 3/16" BLK
(GEL-COATED DASH)
1657816 BULB, COMPASS REPL (141788/156026/783761)
(REPLACEMENT BULB FOR 1472042 & 1472802)
- 2 1804847 VISOR, DASH 280DA-06 NCKL
3 1718679 PANEL, 280DA-03 INST GAS UPR S/S-CRFT
(GAS - SINGLE ENGINE)
1719229 PANEL, 280DA-03 INST T/E S/S-CRFT
(GAS - TWIN ENGINE)
1765964 PANEL, BLANK:280DA-04 INST UPR MLL
(DIESEL - SINGLE ENGINE)
- 4 1754748 PANEL, 280DA-04 INST GAS LWR N/CUTOUPS
(SINGLE ENGINE)
1753240 PANEL, 280DA-03 INST VOLVO LWR A/F
(TWIN ENGINES)
- 5 1810626 MODULE, ELEC SWPAD S-CRUISER STBD CNVX RV3
6 1755306 CONTROL, SEARCH LIGHT N/HARNESS
(SPOTLIGHT, 5" REMOTE CONTROLLED)
- 7 1690376 ACC PART, MERC S-CRFT AIR TEMP SENSOR
(TWIN ENGINES)
- 8 1287283 RECEPTACLE, FEMALE 12V LONG THRD BLK
1259977 PLATE, FEMALE 12V RECEPTACLE MNT
9 1744738 LABEL, RECEPTACLE 12V-15A MAX (LEXAN)
- 10 1483361 PANEL, 280DA-01 EXTNGSHR INDCTR
137786 PLUG, HOLE 5/16" BLK
(DELETE HALON, PLUG HOLES IN DASH, NO CREDIT)
- 11 1783219 DOOR, STRG W/13"X 25" ARW FRAME W/SS STHCO
1799558 DOOR, STRG W/13"X 25" NCKL FRAME W/SS STHCO
(GEL-COATED DASH)
- 12 1807449 RADIO, VHF NRTHSTAR NS100
(HULL# 1287 -> UP)
1807869 HARNESS, NRTHSTR VHF BLKBX TO SPKR CBL 72"
(PART OF 1807449)
1807870 HARNESS, NRTHSTR VHF BLKBX SPKR-HNDSET EXT 3'
(PART OF 1807449)
1807871 HARNESS, NRTHSTR VHF BLKBX PWR CBL 6'
(PART OF 1807449)
1807908 BASE, PLAS NRTHSTR VHF RADIO BLKBOX
(PART OF 1807449)
1807910 RADIO, VHF NRTHSTR BLKBOX HANDSET
(PART OF 1807449)
1807911 SPEAKER, REMOTE NRTHSTR VHF BLKBOX
(PART OF 1807449)
1851777 RADIO, VHF MIC CLIP ONLY
(PART OF 1807449)
- 13 1799348 STEREO, REMOTE CNTRL W/DSPBL BLK FACE/SS BZL
1312750 CABLE, CLARION REMOTE EXTENSION CABLE 24'
935080 CABLE, CLARION DUAL REMOTE "Y"
(2ND STEREO REMOTE CONTROL - TRANSOM)
(PREMIUM COCKPIT SOUND SYSTEM - 12 VOLT)
- 14 1810625 MODULE, ELEC SWPAD S-CRUISER PRT CNVX 06
15 1505965 PLUG, ROCKER SWITCH BLK CONTURA-4
- 16 1457167 ACTUATOR, ROCK BLK W/O LENS ENG STRT CNTRL4
1526698 BODY, ROCK SW DPST MOM W/O BARRIER
- 17 1457159 ACTUATOR, ROCK BLK W/O LENS ENG STRT/STP CNT4
670521 BODY, ROCK SW 2 CKT PROG
- 18 1227412 LIGHT, NAV STERN FLUSH MT RND CHR/BRS N/STUDS
901199 BULB, STERN NAV LIGHT REPL #137406-1227412
(REPLACEMENT BULB FOR 1227412)
- 19 1810624 MODULE, ELEC INTERFACE FWD S-CRUISER RV4
1810623 MODULE, ELEC INTERFACE AFT S-CRUISER RV4
- 20 1783292 DOOR, STRG 9"X 17"WHT FRAME RH EXT W/SS STHCO
1765726 HINGE, SS 1 1/16"X 17" PIANO
(PART OF 1783292)
1781434 LATCH, FLUSH MNT N/LOCKING SLAM SS
(PART OF 1783292)
1781436 PLATE, FLAT BRKT 2"SHORT SCREW W/HDWR PKG
(PART OF 1783292)
- 21 180067 COVER PLATE, WATERPROOF RECEPT W/2 DOORS
627737 BOX, RECEPTACLE/SWITCH PVC 1-GANG DEEP
145136 RECEPTACLE, CORR RESISTANT GREY
1787565 RECEPTACLE, LEVITON EXT W/CVR 220/50 GERMAN
(220 VOLT / 50 CYCLE ELECTRICAL SYSTEM)
- 22 140327 ALARM, BUZZER HIGH WATER
- 23 1689909 RADIO, VHF RAYTHEON RAY 215
(HULL# 1201 -> 1286)
1749619 RADIO, FIST MICROPHONE W/CRADLE & HDWR
(PART OF 1689909)
1789109 RADIO, VHF CRADLE ONLY RAYTHEON RAY 215
(PART OF 1689909)
1784032 RADIO, VHF RAYTHEON RAY 215 SUN CVR
(PART OF 1689909)
1749620 SPEAKER, POWER/OPT SPEAKER/NMEA CABLE
(PART OF 1689909)

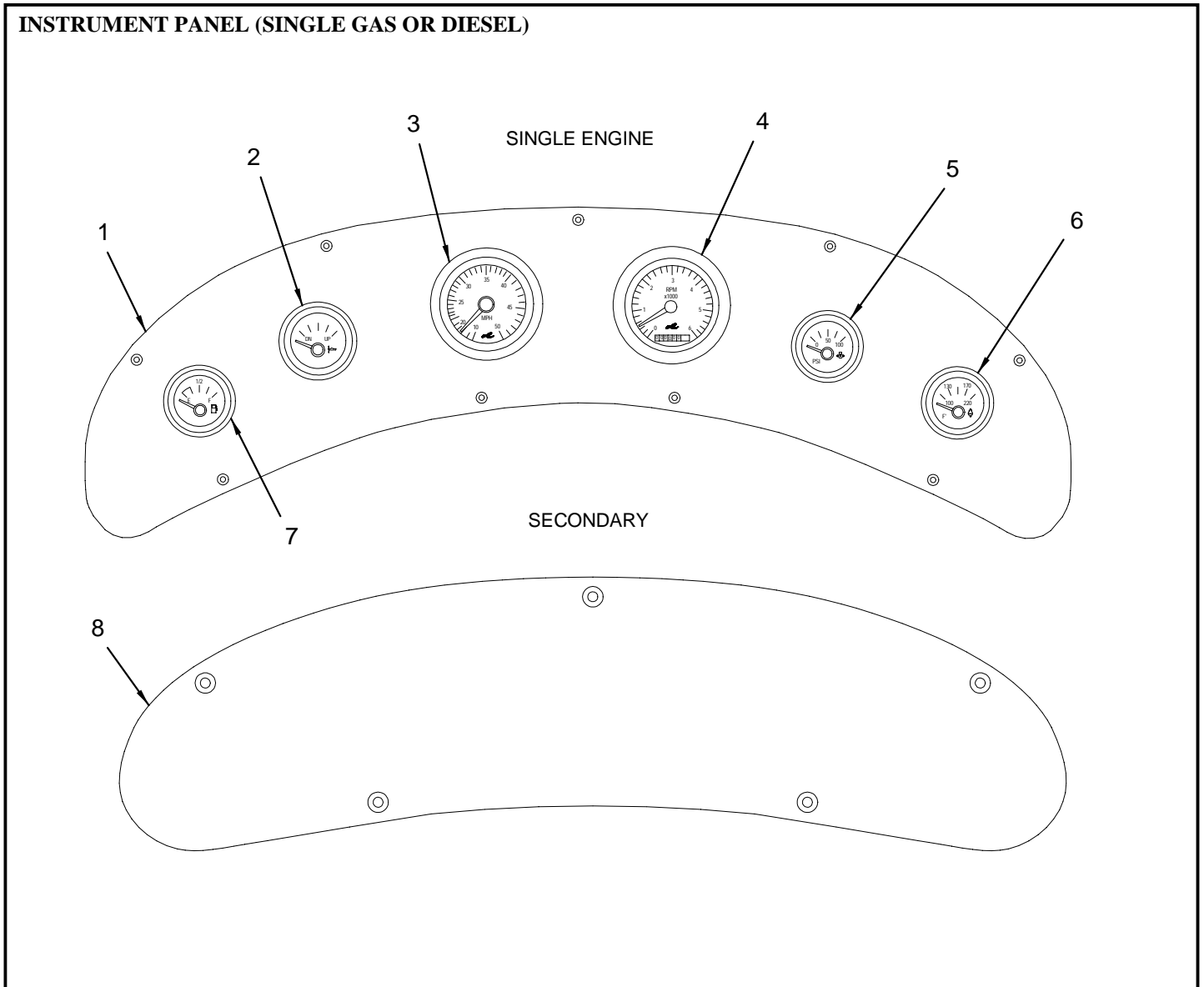
- 23 1689914 FLUSH MOUNT KIT, RAY-215 VHF RADIO MNT
(PART OF 1689909)

LABELS

- 1743548 LABEL, WARNING RUNNING BOAT W/DOOR OPEN
1745513 LABEL, WARNING LEAKING FUEL
1745519 LABEL, DANGER SHUT OFF ENG WHEN NEAR SWIMMERS
1746899 LABEL, DANGER CARBON MONOXIDE (LEXAN)
1749696 LABEL, DANGER COMBO-GAS POWERED BOAT RV1
1811368 LABEL, DANGER CO HELM 06

NOT SHOWN

- 1726995 ACC PART, MERC ALARM BUZZER W/HARNESS
621508 TRIM, PLAS ANGLE 15/16"X 15/16" TAPERED WHT
1802211 TRIM, PLAS ANGL 15/16"X15/16" TAPRD WRMGY/NKL
(GEL-COATED DASH)
912774 NOSING, VINYL 1"X 1/4"X 12' RIGID SR WHT
1802210 NOSING, VINYL 1"X 1/4"X 10' WARM GRY/NCKL
(GEL-COATED DASH)
634998 BOX, V/F 7.75"X 5"X 3" BLANK
1836829 TRANSDUCER, TECHSONIC REV 1
(BLANK - KAD 32P/DP VOLVO STERN DRIVE DIESEL)



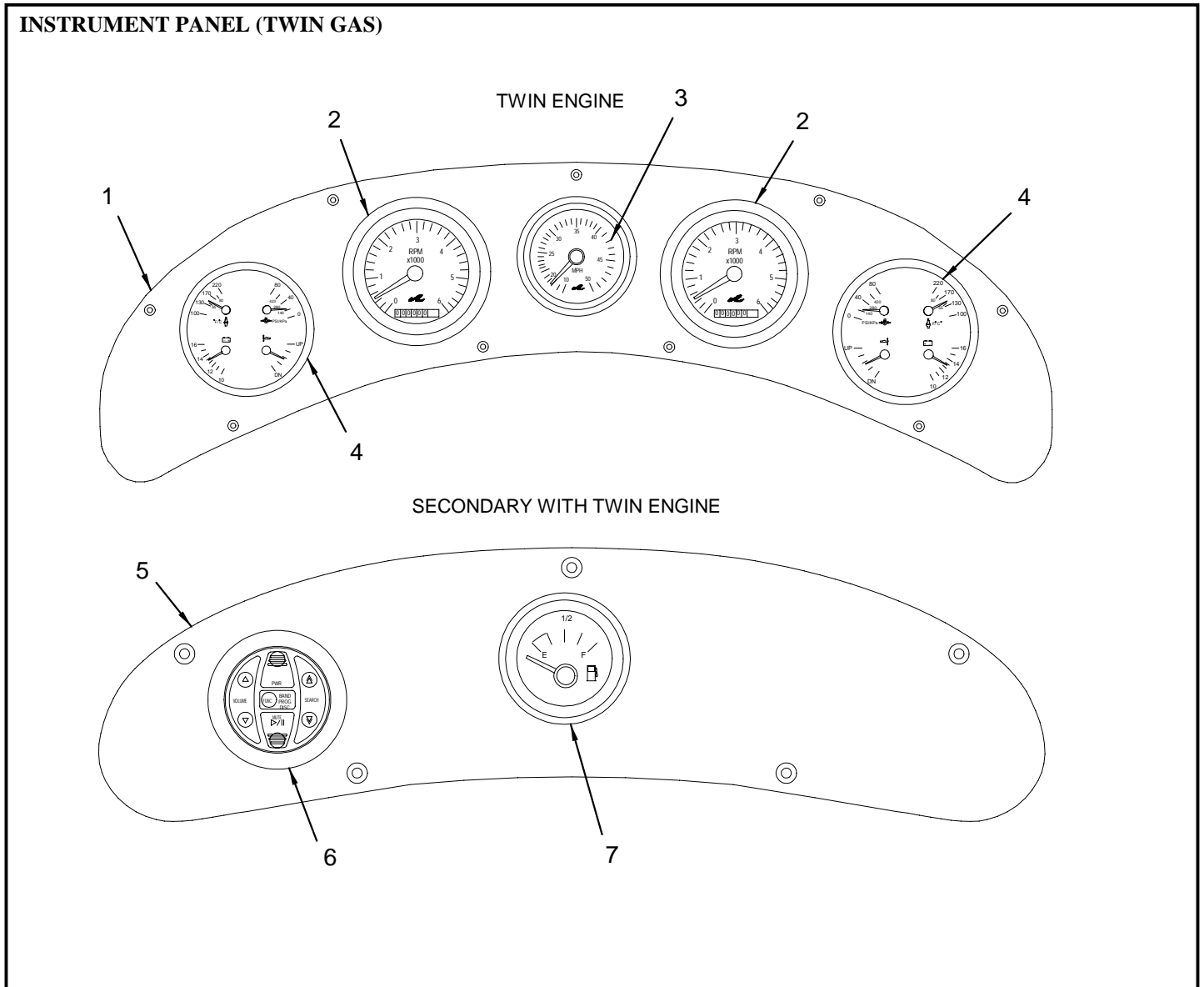
INSTRUMENT PANEL (SINGLE GAS OR DIESEL)

- 1 1718679 PANEL, 280DA-03 INST GAS UPR S/S-CRFT
- 1765964 PANEL, BLANK:280DA-04 INST UPR MLL
(D6-310DPH (298 PHP) VOLVO DIESEL STERN DR.)
- 2 1690031 GAUGE, ENG TRIM S-CRFT 2"
- 1769498 GAUGE, TRIM TELE (MERC) MLSS A/F W/PIGTAIL
(D6-310DPH (298 PHP) VOLVO DIESEL STERN DR.)
- 1690380 NUT, LOCK 52MM SPIN LOCK VDO
- 3 1689917 GAUGE, LINK SPEED 3" S-CRFT 0-70MPH
- 1767745 GAUGE, SPEEDO 65 MPH 3" W/PIGTL
(D6-310DPH (298 PHP) VOLVO DIESEL STERN DR.)
- 1690381 NUT, LOCK 85MM SPIN LOCK VDO
- 631754 PICK-UP, SPEEDOMETER
(D6-310DPH (298 PHP) VOLVO DIESEL STERN DR.)
- 800896 PICK-UP, SPEEDOMETER KIT W/O HOSE 130SR
(D6-310DPH (298 PHP) VOLVO DIESEL STERN DR.)
- 4 1777617 GAUGE, SYS TACH 3" S-CRFT 0-7000RPM RV2
- 1767743 GAUGE, TACH/HOUR 3"4K MAG P/U 30T VOL W/PIGTL
(D6-310DPH (298 PHP) VOLVO DIESEL STERN DR.)
- 1690381 NUT, LOCK 85MM SPIN LOCK VDO
- 5 1689852 GAUGE, OIL PRESS 100 PSI S-CRFT 2"
- 1767748 GAUGE, OIL PRESS 0-100 2" 12V W/PIGTL
(D6-310DPH (298 PHP) VOLVO DIESEL STERN DR.)
- 1690380 NUT, LOCK 52MM SPIN LOCK VDO
- 6 1689851 GAUGE, TEMP 250F S-CRFT 2"
- 1767749 GAUGE, WATER TEMP 240 DEG 12V MLSS W/PIGTL
(D6-310DPH (298 PHP) VOLVO DIESEL STERN DR.)

- 6 1690380 NUT, LOCK 52MM SPIN LOCK VDO
- 7 1689853 GAUGE, FUEL LEVEL S-CRFT 2"
- 1767746 GAUGE, FUEL 2" SGL STA 12V W/PIGTL
(D6-310DPH (298 PHP) VOLVO DIESEL STERN DR.)
- 1690380 NUT, LOCK 52MM SPIN LOCK VDO
- 8 1754748 PANEL, 280DA-04 INST GAS LWR N/CUTOUPS
- 1753240 PANEL, 280DA-03 INST VOLVO LWR A/F
(D6-310DPH (298 PHP) VOLVO DIESEL STERN DR.)

NOT SHOWN

- 123661 CLAMP, LOOM VINYL DIP 1"
- 1324334 BUSS BAR, MINIBUS BAR DC
- 1754589 TRANSDUCER, TECHSONIC
(PROTOTYPE-SINGLE STERN DRIVE DIESEL)
- 1836828 DEPTH FINDER, TECHSONIC GRN LIGHT REV 1
(PROTOTYPE-SINGLE STERN DRIVE DIESEL)
- 1767747 GAUGE, VOLTMETER 10-16V SR 2" W/PIGTL
(PROTOTYPE-SINGLE STERN DRIVE DIESEL)
- 1836830 ADAPTER, HMGNBRD DEPTH/TRNSDCR
(PROTOTYPE-SINGLE STERN DRIVE DIESEL)



INSTRUMENT PANEL (TWIN GAS)

- 1 1719229 PANEL, 280DA-03 INST T/E S/S-CRFT
- 2 1777617 GAUGE, SYS TACH 3" S-CRFT 0-7000RPM RV2
1690381 NUT, LOCK 85MM SPIN LOCK VDO
- 3 1777616 GAUGE, SYS SPEED 3"SC 0-70MPH/RV2 POST 2602
1690381 NUT, LOCK 85MM SPIN LOCK VDO
- 4 1690511 GAUGE, 5" 4-IN-1 VOLT/OIL/TMP/TRIM S-CRFT
1690382 NUT, LOCK 110MM SPIN LOCK VDO
- 5 1753254 PANEL, 280DA-03 LWR W/FUEL S-CRFT REV1
- 6 1799348 STEREO, REMOTE CNTRL W/DSPBL BLK FACE/SS BZL
- 7 1689853 GAUGE, FUEL LEVEL S-CRFT 2"
1690380 NUT, LOCK 52MM SPIN LOCK VDO

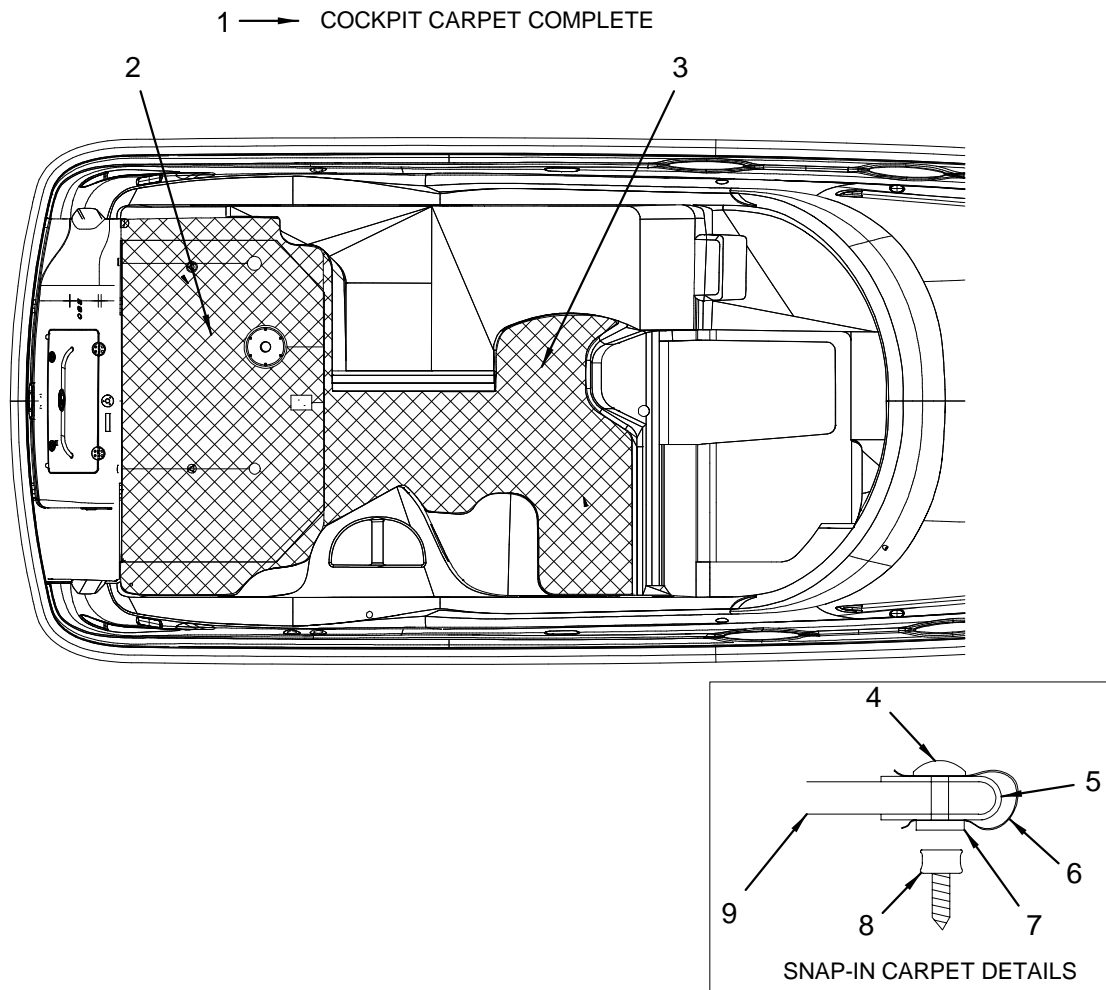
HARNESSES

- 1839411 HARNESS, ENG MERC S-CRFT ADAPTR 10 PIN-14 PIN

NOT SHOWN

- 1218213 ACC PART, MERC SPACER KIT TRIM CYL
- 1507326 ACC PART, MERC S-CRFT JUNC BOX 4-WAY

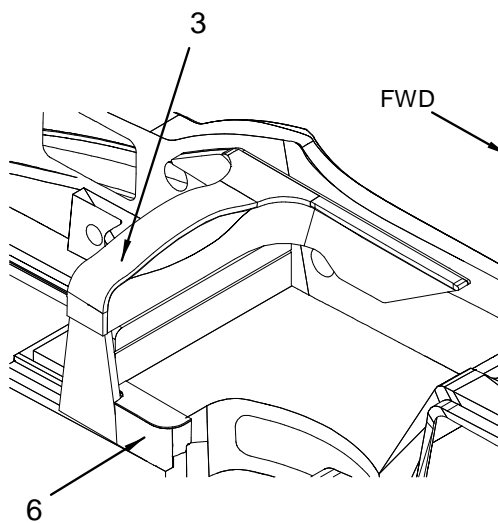
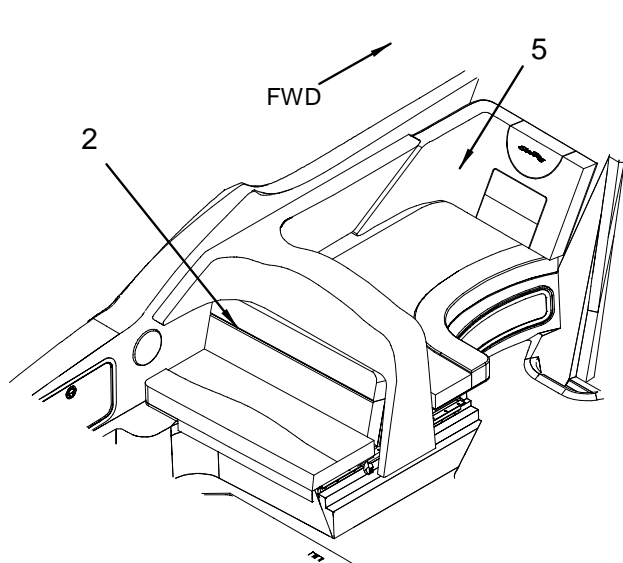
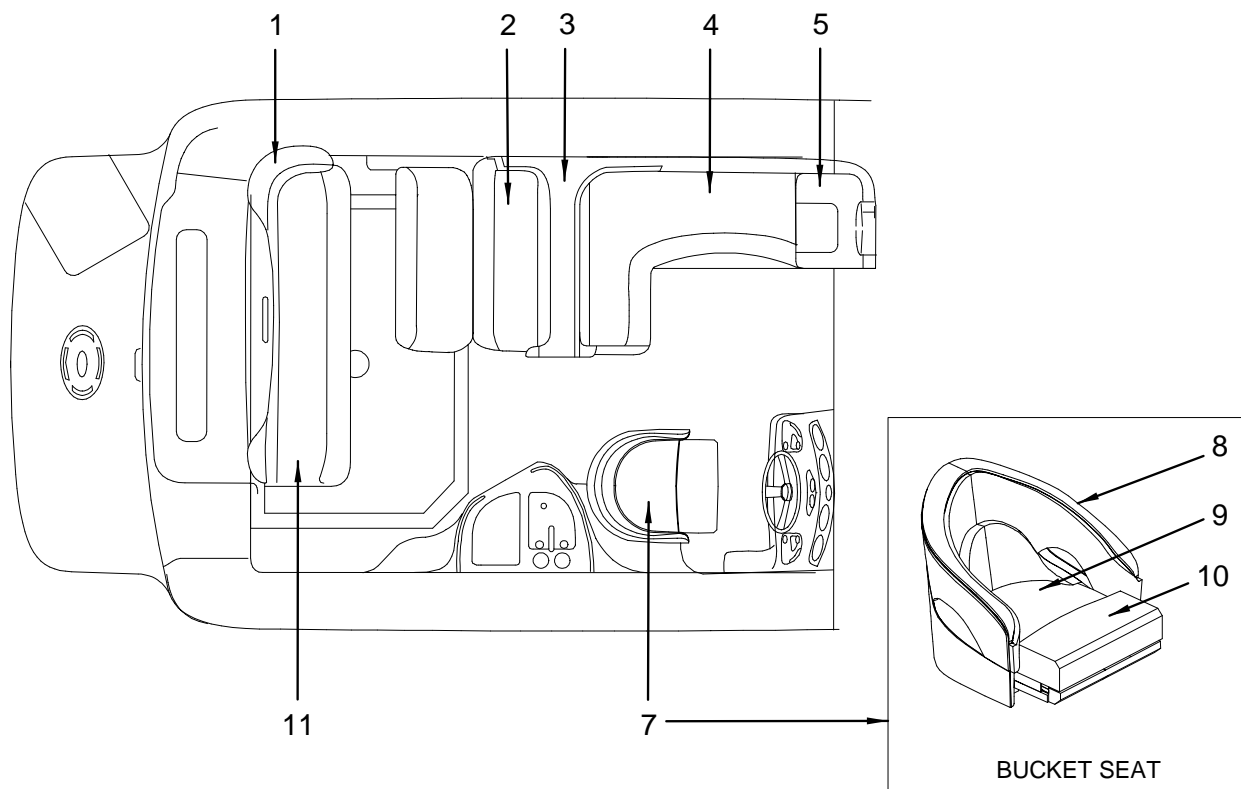
COCKPIT (SNAP-IN CARPET LINER)



COCKPIT (SNAP-IN CARPET LINER)

- 1 1873158 280DA 07,CARPET,SNPN LINER CMPLT
- 2 1873156 280DA 07,CARPET,AFT SNPN
- 3 1873157 280DA 07,CARPET,FWD SNPN
- 4 1163872 SNAP BUTTON, W/ 1/8" BARREL
- 5 800326 BINDING, CANVAS 1" LINEN STRAIGHT SUNBRELLA
- 6 1790664 SNAP REINFORCEMENT, PLAS BACKER 500 PC/ROLL
- 7 1163864 SNAP SOCKET, W/ 1/8" HOLE
- 8 154369 SNAP STUD, W/#8 X 3/8" PH SS
- 9 1609916 CARPET, EXT 28 OZ DUNE PEBBLE #902 RL 7"W

COCKPIT (UPHOLSTERY)



COCKPIT (UPHOLSTERY)

- 1 1788354 BLSTR, 280DA AFT FOLDAWAY OMNOVA
- 1849910 BLSTR SKN, 280DA AFT FOLDAWAY OMNOVA
- 2 1788357 SEAT, 280DA AFT FCNG ASSY 3PC OMNOVA
- 1849911 SEAT SKN, 280DA AFT FCNG ASSY 3PC OMNOVA
- 1850498 B/R SKN, AFT FCNG OMNOVA
- 1850499 B/R CUSH SKN, AFT FCNG OMNOVA
- 1850500 B/R CUSH, FWD FCNG OMNOVA
- 1850501 B/R CUSH SKN, FWD FCNG OMNOVA
- 1850502 CUSH, BTM AFT OMNOVA
- 1850503 CUSH SKN, BTM AFT OMNOVA
- 3 1788355 B/R, 280DA PRT LNG OMNOVA
- 1849912 B/R SKN, 280DA PRT LNG OMNOVA
- 4 1788353 CUSH, 280DA PRT LNG OMNOVA
- 1849913 CUSH SKN, 280DA PRT LNG OMNOVA
- 5 1788356 CUSH, 280DA PRT FWD LNG B/R OMNOVA
- 1849914 CUSH SKN, 280DA PRT FWD LNG B/R OMNOVA
- 6 1838165 PANEL, 280DA-06 PRT LNG FILR OMNOVA
- 1849915 PANEL SKN, 280DA-06 PRT LNG FILR OMNOVA
- 7 1788373 BKT SEAT, SPBT/SPCR W/THRS OMNOVA
- 1849916 BKT SEAT, SPBT/SPCR W/THRS CMPLT SKN OMNOVA
- 8 1849917 BKT SEAT, SPBT/SPCR W/THRS BK CUSH OMNOVA
- 1849918 BKT SEAT, SPBT/SPCR W/THRS BK CUSH SKN OMNOVA
- 9 1849919 BKT SEAT, SPBT/SPCR W/THRS BTM OMNOVA
- 1849920 BKT SEAT, SPBT/SPCR W/THRS BTM SKN OMNOVA
- 10 1849921 BKT SEAT, SPBT/SPCR W/THRS LGRL SKN OMNOVA
- 11 1788352 CUSH, 280DA AFT FOLDAWAY BNCHST OMNOVA
- 1849922 CUSH SKN, 280DA AFT FOLDAWAY BNCHST OMNOVA

ACCENT VINYL

- 1778341 VINYL, NICKEL SR-4983A EXP 1/4" FB

COCKPIT STORAGE/NON-VISIBLE CARPET

- 1752085 CARPET, EXT 24 OZ NICKEL BT

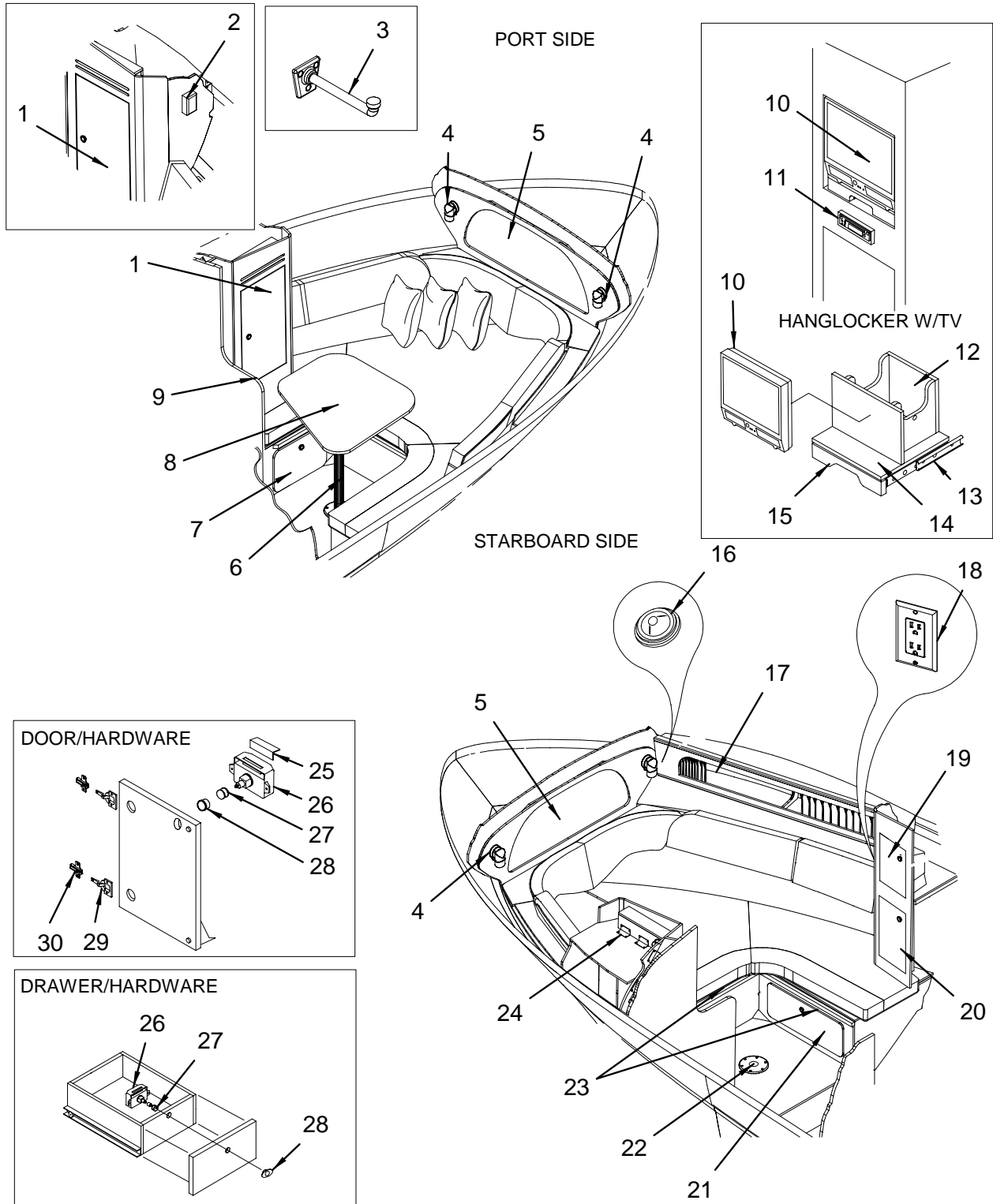
VINYL - BASE 1

- 1788397 VINYL, SOFTDURA MYSTIC WHT 1/4" F/B OMNOVA
- 1797138 VINYL, SOFTDURA MYSTIC WHT 1/2" F/B OMNOVA

WELT

- 1619212 WELT, DADE PEWTER MIST 5/32"

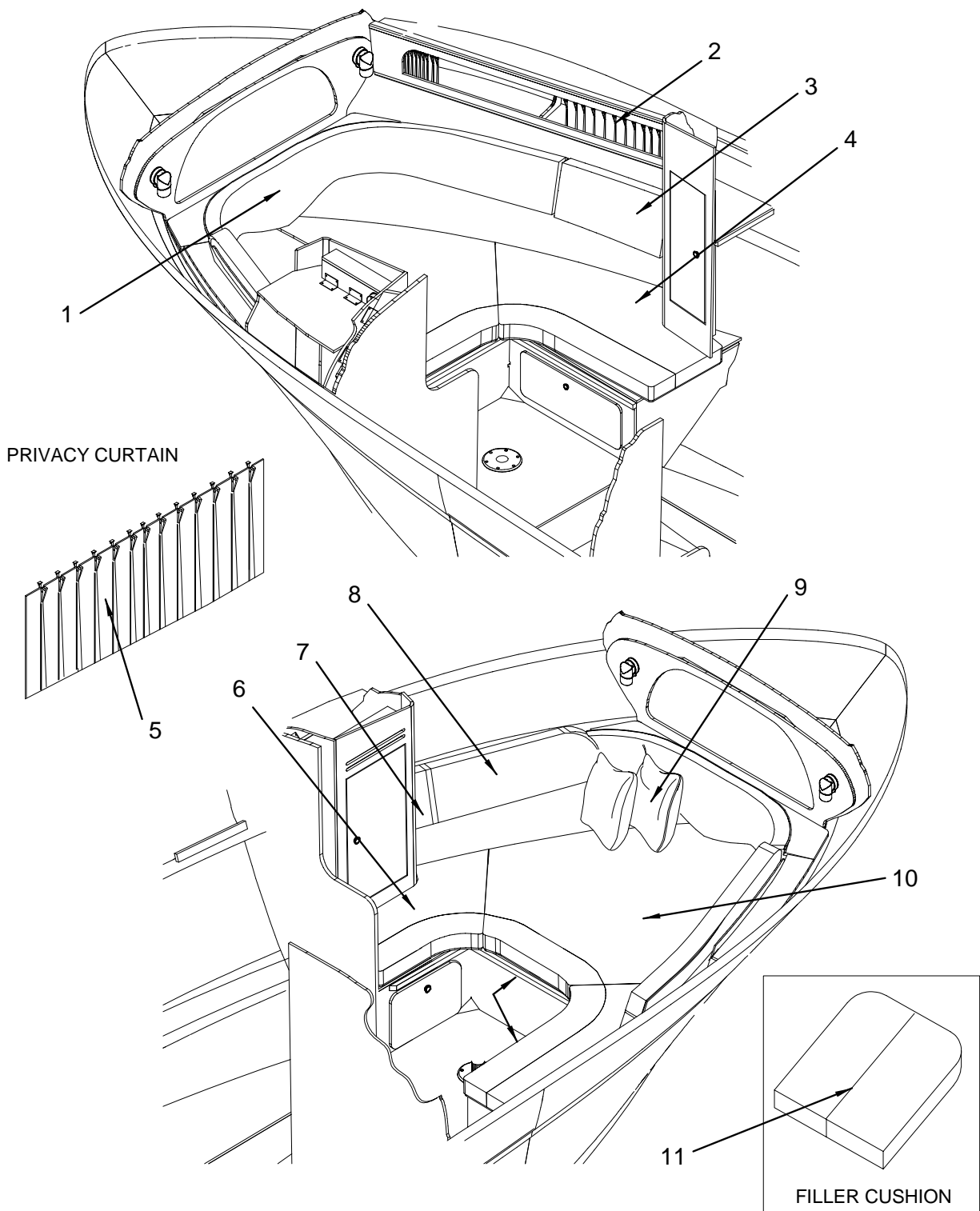
FORWARD STATEROOM



FORWARD STATEROOM

1	1873180	280DA 07, DOOR, H/L FWD PRT FWDSTRM	16	1717332	GRILL, SPEAKER 6.5" ACOM BLK
2	1781228	MONITOR, CO DETECTOR WHT CMD-4		701904	WIRE, 16/2 RED/CLR SPKR OXYGEN-FREE CPR
	1816920	PLATE, CO MONITOR BCKNG WHT CMD-4M-RLY-FCB	17	132183	TRACK, ALUM CURT TRK 0.275"X 0.688" TAB TYPE
3	148015	HOOK, CLOTHES HOOK SURFACE MT 5"	18	1787521	COVER PLATE, SGL DUPLEX RECEPT BLK LVT
4	1831205	SPOTLIGHT, SWVL TASK BRSHD SS W/SW N/CONN		1787506	RECEPTACLE, DUPLEX BLACK 15A
	1820310	BULB, REPL FOR #1803184/1831205 (REPLACEMENT BULB FOR 1831205)		1787551	RECEPTACLE, GERMAN STD MOS WHT(SNAP CVR) LVT (220 VOLT / 50 CYCLE ELECTRICAL SYSTEM)
5	1873185	280DA 07, MIR ASSY, R/L		627737	BOX, RECEPTACLE/SWITCH PVC 1-GANG DEEP
	1473594	MIRROR, 1/8"X 16.5"X 42" W/1.5"RAD CLR	19	1873183	280DA 07, DOOR, H/L FWD STB FWDSTRM UPR (NOTE: NO DOOR WITH TV)
6	929851	POST, TABLE LEG 28.875" ANOD FLUTED	20	1873182	280DA 07, DOOR, H/L FWD STB FWDSTRM BTM
7	1873181	280DA 07, DOOR, STRG LWR PRT FWDSTRM	21	1873184	280DA 07, DOOR, STRG LWR STB FWDSTRM
8	1818811	TABLE, WOOD 280DA-06 FWDSTRM BLSM CHERY		1500552	CLIP, TABLE LEG 60MM TUBE BLK
	876979	BASE, LEG/POST SURF MT ALUM (PART OF 1818811)	22	876961	BASE, LEG/POST FLUSH MT ALUM
9	1676816	T-MOLD, VINYL INSERT 5/8" POL CHR (FLEX)	23	1873203	280DA 07, SUPPORT, FWDSTRM TBL RAIL
10	1852692	TELEVISION, 15" LG LCD HDTV BLK W/BTM SPKR (HULL# 1251 -> UP) (TV - FLAT SCREEN W/ DVD)	24	835843	BRACKET, ALUM 1"X 1/2"X 3" 3/16" HOLES 2SIDES
	1872710	REMOTE, TV 15" LG LCD HDTV BLK W/BTM SPKR (REMOTE FOR 1852692)	25	761445	CATCH, RIM-LOCK STRIKE PLATE
	1812977	CONN, COAX ADAPTER 90 DEG MALE/FEM "F" TYPE (HULL# 1251 -> UP) (TV - FLAT SCREEN W/ DVD)	26	772418	CATCH, RIM-LOCK WHT
	1805175	TELEVISION, 15.1" LG LCD HDTV W/BTM SPKR (HULL# 1201 -> 1250) (TV - FLAT SCREEN W/ DVD)	27	1742136	PULL, PUSH-BUTTON KNOB SAT/NCKL
	1815412	REMOTE, TV 15.1" LG LCD HDTV (REMOTE FOR 1805175)	28	1776837	PULL, ROSETTE SAT/NCKL RND 16MM (5/8")
	1815899	TELEVISION, 15" TOSHIBA PAL LCD (TV - FLAT SCREEN W/ DVD WITH DOCKSIDE 220V)	29	839399	HINGE, SELF CLOSING BLUM SCREW-ON
	1835480	REMOTE, TV TOSHIBA PAL LCD (REMOTE FOR 1815899)	30	525667	HINGE, CONCEALED FULL OVERLAY MT PLATE ONLY
	1872088	TELEVISION, 15" LG LCD 220V 15C1RB (TV - FLAT SCREEN W/ DVD WITH PAL T.V. TUNER)	NOT SHOWN		
	1888310	REMOTE, TV 15" LG LCD 220V 15C1RB (REMOTE FOR 1872088)	835710	BRACKET, ALUM 1"X 1"X 20" 3/16" HOLES 2SIDES	
	1785019	CORD, SHARP LCD 12V PLUG ADAPTER (HULL# 1201 -> 1235) (TV - FLAT SCREEN W/ DVD WITH PAL T.V. TUNER)			
	1755388	BRACKET, TV (LCD) WALL MOUNT OMNI (TV - FLAT SCREEN W/ DVD)			
	136085	CORD SET, TV CABLE 50FT (TV - FLAT SCREEN W/ DVD)			
	1744739	LABEL, SECURE TELEVISION (LEXAN) (TV - FLAT SCREEN W/ DVD)			
	1759176	EXTENSION, CABLE A/V 6' RCA W/MALE CONN (TV - FLAT SCREEN W/ DVD)			
	1779735	CABLE, COAXIAL RG6 1000' WHT (TV - FLAT SCREEN W/ DVD)			
	1556935	CORD SET, TV CABLE 14FT F/F 280DA-01 SPOILER (TV - FLAT SCREEN W/ DVD)			
	1657691	CORD SET, TV CABLE 3PC 280DA-02 HULL (TV - FLAT SCREEN W/ DVD)			
	1787506	RECEPTACLE, DUPLEX BLACK 15A (TV - FLAT SCREEN W/ DVD)			
	1787521	COVER PLATE, SGL DUPLEX RECEPT BLK LVT (TV - FLAT SCREEN W/ DVD)			
	627737	BOX, RECEPTACLE/SWITCH PVC 1-GANG DEEP (TV - FLAT SCREEN W/ DVD)			
	864306	CONN, COAX "F" TWIST-ON (TV - FLAT SCREEN W/ DVD)			
	1787551	RECEPTACLE, GERMAN STD MOS WHT(SNAP CVR) LVT (TV - FLAT SCREEN W/ DVD WITH DOCKSIDE 220V)			
	1768472	PLUG, 220V BLK RECEPTACLE (TV - FLAT SCREEN W/ DVD WITH DOCKSIDE 220V)			
	1789966	ADAPTER, 220V TV PLUG RIGHT ANGLE (TV - FLAT SCREEN W/ DVD WITH DOCKSIDE 220V)			
	637058	CONN, COAX EURO TV ADAPTER "F" TYPE (TV - FLAT SCREEN W/ DVD WITH DOCKSIDE 220V)			
11	1817493	DVD, KEC 12V DVD3 DIN (TV - FLAT SCREEN W/ DVD)			
	1819303	DVD, KEC 12V DVD3 ZONEFREE (TV - FLAT SCREEN W/ DVD WITH ZONE FREE DVD)			
	1848849	REMOTE, DVD KEC 12V DVD2M/3M ZONEFREE (REMOTE FOR 1817493 & 1819303)			
	1813842	MOUNTING KIT, SLEEVE FOR DVD2 (TV - FLAT SCREEN W/ DVD)			
12	1873225	280DA 07, MNT BOX, TV PULL-OUT (BIRDHOUSE) (TV - FLAT SCREEN W/ DVD)			
13	294926	BASE, TV PULL-OUT SWIVEL ONLY (TV - FLAT SCREEN W/ DVD)			
14	1873224	280DA 07, BASE, TV PULL-OUT/SWVL SHELF (TV - FLAT SCREEN W/ DVD)			
15	808766	PLATE, PLEX 330DA PULLOUT TV BASE FACE W/LTCH (TV - FLAT SCREEN W/ DVD)			
16	1690557	SPEAKER, COAXIAL 6.5" N/CVR			

FORWARD STATEROOM (UPHOLSTERY)



FORWARD STATEROOM (UPHOLSTERY)

- 1 1873193 280DA 07,BLSTR,CTR FWDSTRM
- 1873188 280DA 07,BLSTR SKN,CTR FWDSTRM
- 2 1839621 CURTAIN, 280DA-07 GLAMOUR OATML UPR CAB
(INTERIOR PACKAGE - A, B, D)
- 1840171 CURTAIN, 280DA-07 MOREHEAD/PRL UPR CAB
(INTERIOR PACKAGE - C)
- 3 1873192 280DA 07,BLSTR,AFT STB FWDSTRM
- 1873187 280DA 07,BLSTR SKN,AFT STB FWDSTRM
- 4 1873202 280DA 07,CUSH,STB FWDSTRM
- 1873198 280DA 07,CUSH SKN,STB FWDSTRM
- 5 1839620 CURTAIN, 280DA-07 GLAMOUR OATML FWD PRIV
(INTERIOR PACKAGE - A, B, D)
- 1840174 CURTAIN, 280DA-07 MOREHEAD/PRL FWD PRIV
(INTERIOR PACKAGE - C)
- 6 1873201 280DA 07,CUSH,PRT FWDSTRM
- 1873197 280DA 07,CUSH SKN,PRT FWDSTRM
- 7 1873191 280DA 07,BLSTR,AFT PRT FWDSTRM
- 1873186 280DA 07,BLSTR SKN,AFT PRT FWDSTRM
- 8 1873194 280DA 07,BLSTR,FWD PRT FWDSTRM
- 1873189 280DA 07,BLSTR SKN,FWD PRT FWDSTRM
- 9 1794279 PILLOW PKG, 2006/07 SPCR VBRTH/MIDCAB PKGA(2)
- 1839721 PILLOW PKG, 2007 SPCR VBRTH/MIDCAB PKGB (2)
- 1839847 PILLOW PKG, 2007 SPCR VBRTH/MIDCAB PKGC (2)
- 1794299 PILLOW PKG, 2006/07 SPCR VBRTH PKGD (2)
- 10 1873199 280DA 07,CUSH,CTR FWDSTRM
- 1873195 280DA 07,CUSH SKN,CTR FWDSTRM
- 11 1873200 280DA 07,CUSH,FWDSTRM FILR
- 1873196 280DA 07,CUSH SKN,FWDSTRM FILR

BOLSTER MATERIAL

- 1798080 FABRIC, GLAMOUR OATML-6"DIA QLT 10OZ/AC/B
(INTERIOR PACKAGE - A)
- 1798080 FABRIC, GLAMOUR OATML-6"DIA QLT 10OZ/AC/B
(INTERIOR PACKAGE - B)
- 1835632 FABRIC, MOREHEAD/PEARL-6"DIA QLT 10OZ/AC/B
(INTERIOR PACKAGE - C)
- 1797639 FABRIC, SLEEK WHEAT-6"DIA QLT 10OZ/AC/B
(INTERIOR PACKAGE - D)

CUSHION MATERIAL

- 1798080 FABRIC, GLAMOUR OATML-6"DIA QLT 10OZ/AC/B
(INTERIOR PACKAGE - A)
- 1833433 FABRIC, WALTER/SUEDE-6"DIA QLT 10OZ/AC/B
(INTERIOR PACKAGE - B)
- 1835632 FABRIC, MOREHEAD/PEARL-6"DIA QLT 10OZ/AC/B
(INTERIOR PACKAGE - C)
- 1797639 FABRIC, SLEEK WHEAT-6"DIA QLT 10OZ/AC/B
(INTERIOR PACKAGE - D)

FOAM

- 1475029 FOAM, P/C 280DA-01 FWD STRM CUSH SET

HEADLINER/HULL LINER/WASHABLE SURFACE

- 1140367 VINYL, RVIEW LT CAMEO N/W FLAT
- 1736787 VINYL, RVIEW LT CAMEO N/W 1/2"FB
- 1747515 VINYL, RVIEW LT CAMEO N/W 1/4"FB
- 1212117 WELT, RVIEW LT CAMEO 8/32" GLUED

INTERIOR CARPET

- 1467182 CARPET, INT 44 OZ WHEATON 6"W 100% BCF NYLON

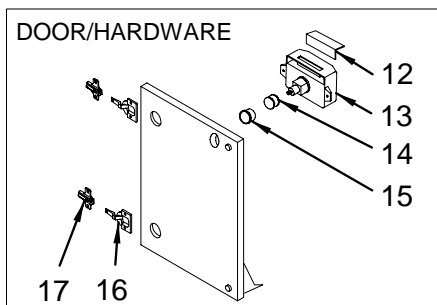
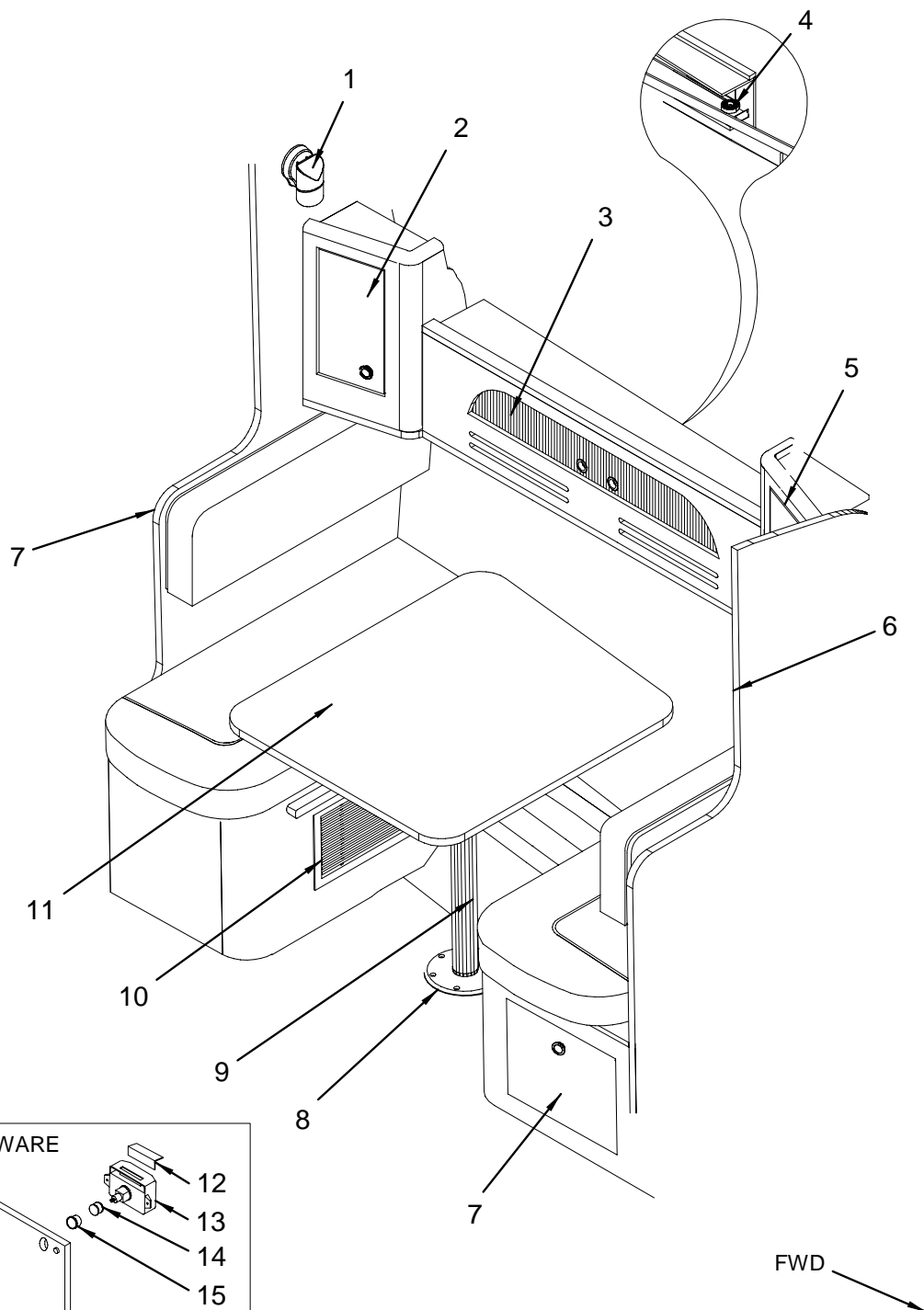
NEUTRAL COLOR FITTED SHEETS

- 1839307 SHEET, 280DA-07 FWDSTRM FITTED W/PLLW CS
(HULL# 1224 -> UP)

UPHOLSTERY

- 874610 THREAD, POLYESTER FGREY 16OZ
- 178517 VELCRO, LOOP WHT 2"
- 178756 TACK STRIP, CARDBOARD 1/2"X 71YDS
- 180182 ZIPPER, #5 DELRIN CONTINUOUS WHT
- 180406 SLIDE, DELRIN #5 WHT 1-S LOCK
- 634931 FABRIC, PULL STRIP 6"X 250YD
- 103309 MESH, WHITE 60"

DINETTE



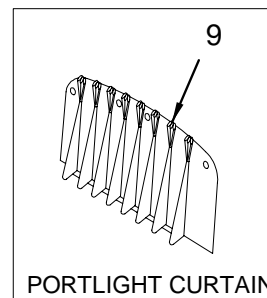
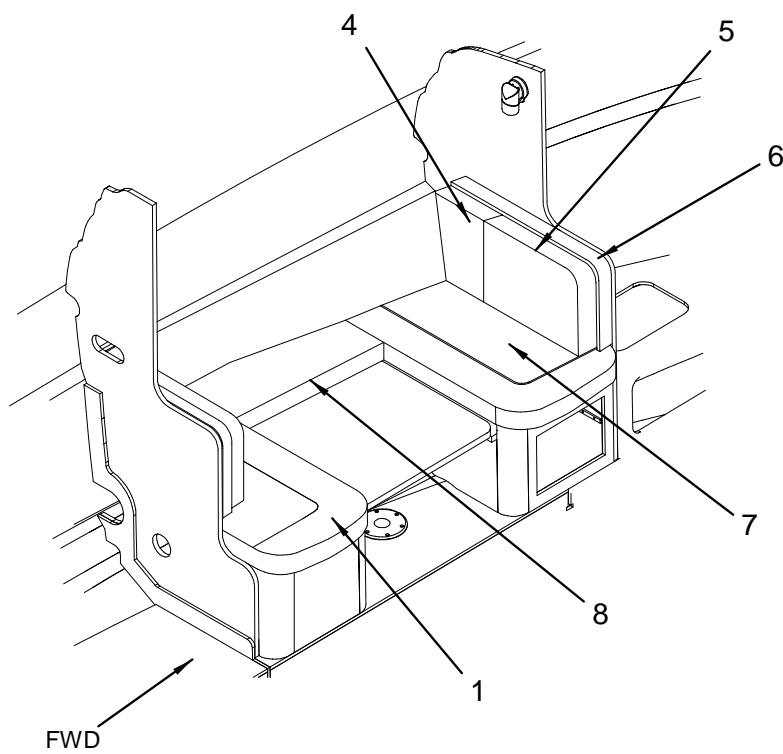
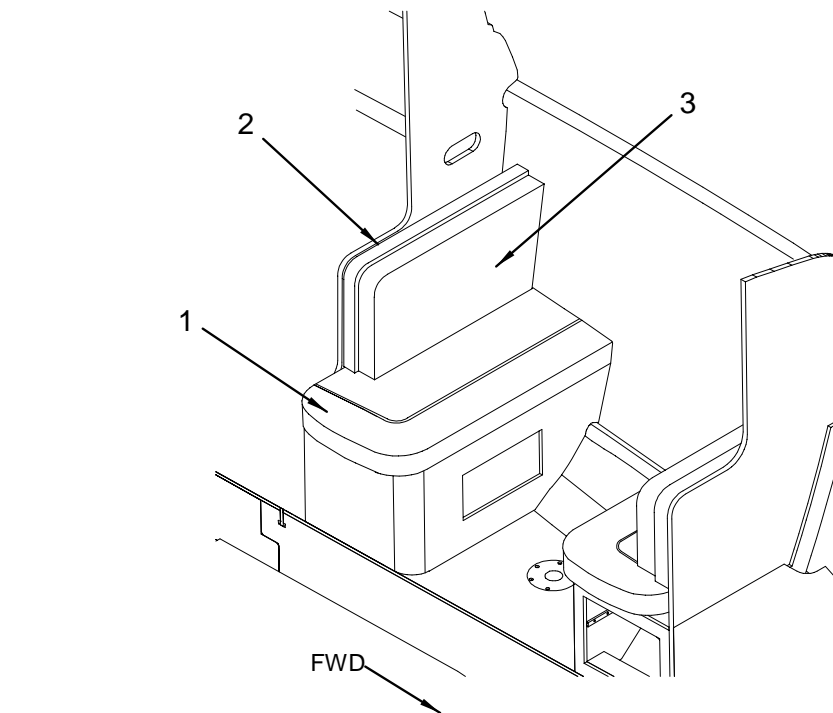
DINETTE

- 1 1831205 SPOTLIGHT, SWVL TASK BRSHD SS W/SW N/CONN
- 1820310 BULB, REPL FOR #1803184/1831205
- (REPLACEMENT BULB FOR 1831205)**
- 2 1873174 280DA 07,DOOR,STRG AFT DIN
- 3 1873171 280DA 07,DOOR,DIN TMBR LH
- 1873172 280DA 07,DOOR,DIN TMBR RH
- 1735673 TAMBOUR, 1/8" 4 X 8 BLOSSOM CHERRY
- 601419 CHANNEL, VINYL-U ROUNDED 1/8" POL CHROME RIG
- 4 122929 TRACK, TAMBOUR SLIDE LEFT SPIRAL
- 122937 TRACK, TAMBOUR SLIDE RIGHT SPIRAL
- 5 1873175 280DA 07,DOOR,STRG FWD DIN
- 6 1676816 T-MOLD, VINYL INSERT 5/8" POL CHR (FLEX)
- 7 1873173 280DA 067DOOR,LWR DIN
- 8 1125285 BASE, TABLE FLUSH MNT ALUM TPR CASTING
- 9 1657659 POST, TABLE LEG 2 7/8"X 30" ANOD FLUTED
- 10 1165091 A/C COMP, DEFUSER 14X7 CLW W/FILTER
- (AIR CONDITIONING / HEATING-10000BTU-120V/60)**
- (AIR CONDITIONING / HEATING-10000BTU-220V/50)**
- 1604263 A/C COMP, CABLE INTERCONNECT 15'
- (AIR CONDITIONING / HEATING-10000BTU-120V/60)**
- (AIR CONDITIONING / HEATING-10000BTU-220V/50)**
- 11 1818807 TABLE, WOOD 280DA-06 DIN BLSM CHERRY
- 1125293 BASE, TABLE SURF MNT ALUM TAPERED CASTING
- (PART OF 1818807)**
- 12 761445 CATCH, RIM-LOCK STRIKE PLATE
- 13 772418 CATCH, RIM-LOCK WHT
- 14 1742136 PULL, PUSH-BUTTON KNOB SAT/NCKL
- 15 1776837 PULL, ROSETTE SAT/NCKL RND 16MM (5/8")
- 16 839399 HINGE, SELF CLOSING BLUM SCREW-ON
- 17 525667 HINGE, CONCEALED FULL OVERLAY MT PLATE ONLY

NOT SHOWN

- 390849 CATCH, GRABBER LATCH W/10LB HOLD BLK PLAS
- 835710 BRACKET, ALUM 1"X 1"X 20" 3/16"HOLES 2SIDES

DINETTE (UPHOLSTERY)



DINETTE (UPHOLSTERY)

1	1873169	280DA 07,CUSH,AFT DIN
	1873167	280DA 07,CUSH SKN,AFT DIN
2	1873163	280DA 07,BLSTR MUFF,AFT DIN
	1873159	280DA 07,BLSTR MUFF SKN,AFT DIN
3	1873164	280DA 07,CUSH, AFT DIN FILR
	1873160	280DA 07,CUSH SKN,AFT DIN FILR
4	1873166	280DA 07,CUSH,FWD O/B DIN
	1873162	280DA 07,CUSH SKN,FWD O/B DIN
5	1873176	280DA 07,CUSH,FWD I/B DIN FILR
	1873221	280DA 07,CUSH SKN,FWD I/B DIN FILR
6	1873165	280DA 07,BLSTR MUFF,FWD DIN
	1873161	280DA 07,BLSTR MUFF SKN,FWD DIN
7	1873170	280DA 07,CUSH,FWD DIN
	1873168	280DA 07,CUSH SKN,FWD DIN
8	1883460	280DA 07,CUSH,O/B DIN FILR
	1883461	280DA 07,CUSH SKN,O/B DIN FILR
9	1839622	CURTAIN, 280/290DA-07 GLAMOUR OATML PRTLGH (INTERIOR PACKAGE - A, B, D)
	1840037	CURTAIN, 280/290DA-07 MOREHEAD/PRL PRTLGH (INTERIOR PACKAGE - C)
	1338599	SNAP STUD, 5/8" FLANGED SLVR

ACCENT VINYL

989426	VINYL, ALLANTE II BLK EXP FLAT
--------	--------------------------------

CUSHION VINYL

1003474	VINYL, ALLANTE II CREAM EXP FLAT (INTERIOR PACKAGE - A, B, D)
1142165	VINYL, ALLANTE II WHT SAND EXP FLAT (INTERIOR PACKAGE - C)

FOAM

1475037	FOAM, P/C 280DA-01 DINETTE CUSH SET
---------	-------------------------------------

HEADLINER/HULL LINER/WASHABLE SURFACE

1140367	VINYL, RVIEW LT CAMEO N/W FLAT
1736787	VINYL, RVIEW LT CAMEO N/W 1/2"FB
1747515	VINYL, RVIEW LT CAMEO N/W 1/4"FB
1142199	WELT, RVIEW LT CAMEO 8/32"

INTERIOR CARPET

1467182	CARPET, INT 44 OZ WHEATON 6'W 100% BCF NYLON
---------	--

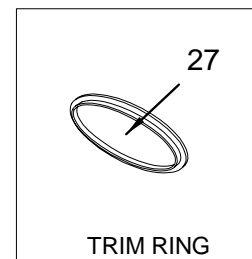
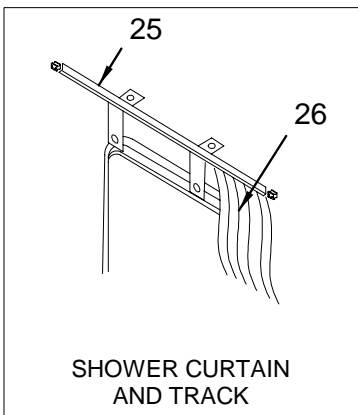
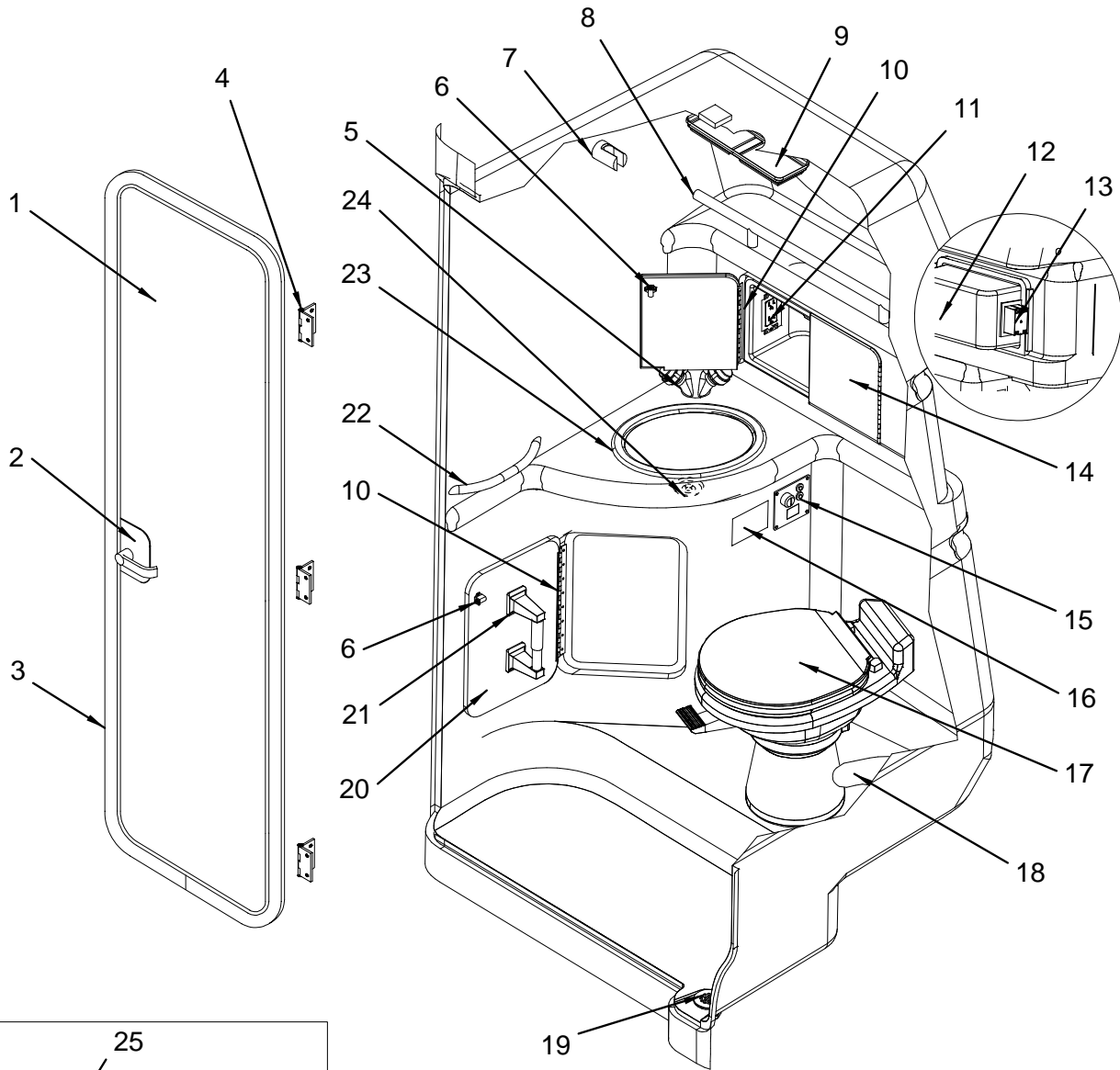
UPHOLSTERY

180182	ZIPPER, #5 DELRIN CONTINUOUS WHT
180406	SLIDE, DELRIN #5 WHT 1-S LOCK
283069	VINYL FILM, PLAS 1MM X 5'X 830YD
634931	FABRIC, PULL STRIP 6"X 250YD
103309	MESH, WHITE 60"
828434	VELCRO, HOOK WHT 2" (SEW ON)

WELT

1005719	WELT, ALLANTE II CREAM 5/32" (INTERIOR PACKAGE A, B, D)
1258128	WELT, ALLANTE II WHT SAND 5/32" (INTERIOR PACKAGE - C)

STARBOARD HEAD



STARBOARD HEAD

NOT SHOWN

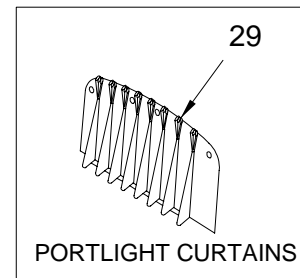
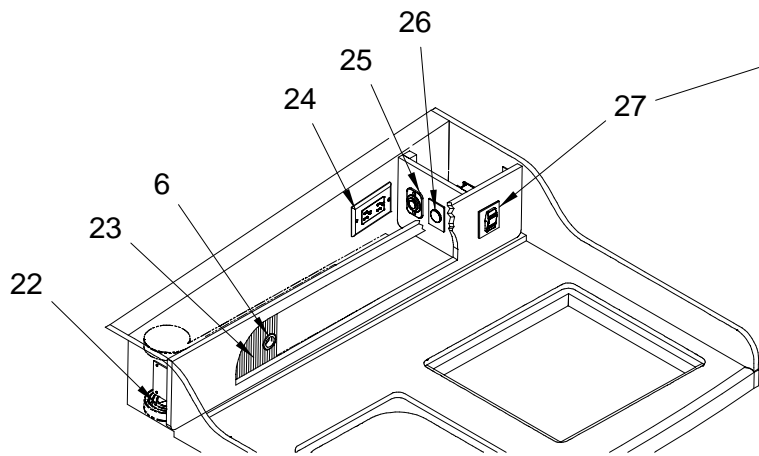
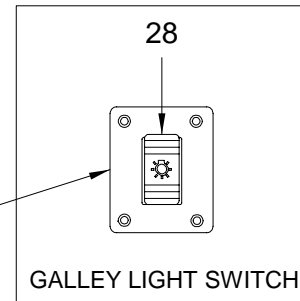
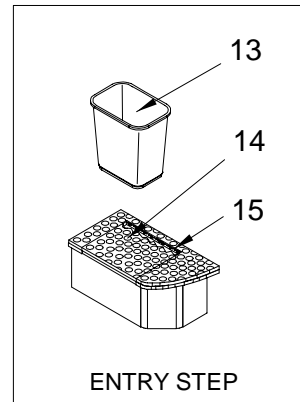
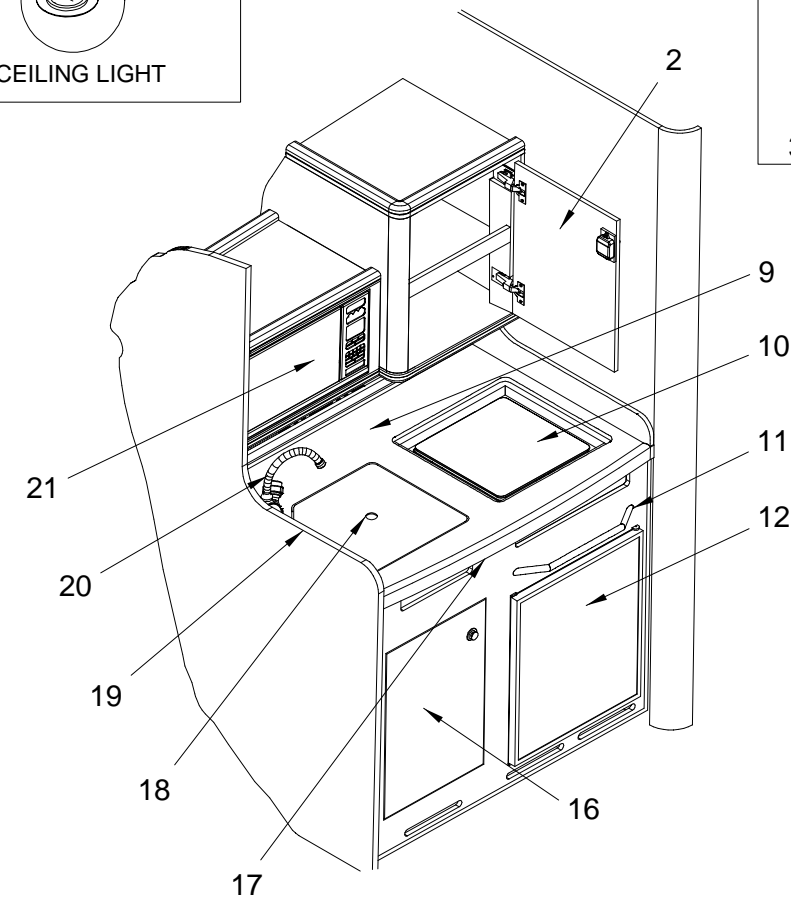
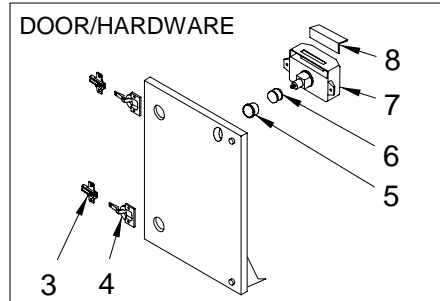
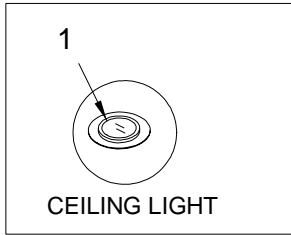
- 1 1873220 280DA 07,DOOR,HEAD
- 1513928 MIRROR, PLEX 280DA-01 HEAD DOOR MRINE GRD CLR
- 2 1776179 LATCH, OFFSHR FLSH RH-OUT PRVKNB SAT/NCK 5/8"
- 3 1163393 FRAME, ALUM 17 15/16"X 64" ANW L-OUT
- 4 132324 HINGE, BUTT CHROME/ZINC 2"
- 5 1772520 FAUCET/SHOWER, BRUSHED NCKL/CHR PULLOUT
- 1853913 FAUCET/SHOWER, SPRAYER ONLY BRSHD NCKL/CHR
(PART OF 1772520)
- 1853914 FAUCET/SHOWER, HOSE WASHER ONLY
(PART OF 1772520)
- 1853916 FAUCET/SHOWER, BRASS HOT/COLD VALVE ONLY
(PART OF 1772520)
- 1853917 FAUCET/SHOWER, HDWR KIT W/WTS
(PART OF 1772520)
- 6 140244 CATCH, SGL ROLLER WHT NYLON W/STRIKE LRG
- 7 1853915 FAUCET/SHOWER, HANGER ONLY
(PART OF 1772520)
- 8 1474725 RAIL, GRAB 280DA-01 HEAD SHELF
- 9 312983 LIGHT, DBL DOME FLUSH MT W/SWITCH WHT
- 1199090 BULB, REPL FOR LIGHT #0312983
(REPLACEMENT BULB FOR 312983)
- 10 195032 HINGE, AL CONT 1.25" X 72" BRITE
- 11 1881816 RECEPTACLE, GFCI DPLX WHT W/IND/SMRTLCK 15A
(HULL# 1385 -> UP)
- 1787502 RECEPTACLE, GFCI DPLX WHT W/IND LIGHT 15A LVT
(HULL# 1201 -> 1384)
- 12 1326149 BOX, V/F 410DA STRG FWD HEAD SHWR CAB LNR ANW
- 13 627737 BOX, RECEPTACLE/SWITCH PVC 1-GANG DEEP
- 14 1517887 DOOR, HDPE 280DA-01 HEAD MED CAB ANW 2PC
- 622050 BUMPER, CLEAR THIN 3/8"
- 15 1188945 PANEL, 260DA-99 WASTE SYS CNTRL
- 893800 PANEL, WASTE LEVEL INDICATOR 12V
(PART OF 1188945)
- 533109 BRKR, P/BTN-MANUAL RESET 10A
(PART OF 1188945)
- 557785 SWITCH, IGN STARTER
(PART OF 1188945)
- 1729450 KEY, SIERRA PK501A
(PART OF 1188945)
- 1778652 KEY, SIERRA PK521J
(PART OF 1188945)
- 1778656 KEY, SIERRA PK576K
(PART OF 1188945)
- 1778657 KEY, SIERRA PK611M
(PART OF 1188945)
- 1778658 KEY, SIERRA PK628H
(PART OF 1188945)
- 1778659 KEY, SIERRA PK631N
(PART OF 1188945)
- 1778660 KEY, SIERRA PK665P
(PART OF 1188945)
- 1778661 KEY, SIERRA PK673F
(PART OF 1188945)
- 16 1745156 LABEL, NOTICE OVERBOARD DISCHARGE (LEXAN)
(MACERATOR W/ SEACOCK INTERLOCK SYSTEM)
(VACUUM FLUSH HEAD W/ DIRECT OVER BOARD INTL)
- 17 1850223 HEAD, VACU-FLUSH BONE 5048 BACK DIS
(HULL# 1241 -> UP)
- 1872707 HEAD, SEAT ASSY VAC-FLUSH BONE 5048 BACK DIS
(PART OF 1850223)
- 1744871 HEAD, VACU-FLUSH BONE 1048 BACK DIS
(HULL# 1201 -> 1240)
- 1784547 SEAT ASSY, CVR/SEAT/HNG PIN BONE
(PART OF 1744871)
- 18 1873219 280DA 07,CVR,HOSE HEAD
- 19 196782 DRAIN ASSY, SHOWER 1.5"
- 344721 DRAIN ASSY, GASKET SHOWER SLIP NUT 1.5"
- 344762 DRAIN ASSY, SHOWER SLIP NUT 1.5"
- 20 1479484 DOOR, HDPE 15 X10 13/16 280DA-01 HEAD LWR ANW
- 21 1155241 HOLDER, TOILET PAPER WALL MNT WHT ROLLER
- 22 1761038 RAIL, GRAB 10" ELLIPTICAL W/STUDS 316L
- 23 850784 SINK, V/F OVAL ANW
- 24 583427 DRAIN, W/PLUG 100DEG 3/4"BARB CHR
- 1734472 DRAIN ASSY, STOPPER #4202 MED BLK
(PART OF 583427)
- 25 132183 TRACK, ALUM CURT TRK 0.275"X 0.688" TAB TYPE
- 26 1075415 CURTAIN, SHOWER ECRU 66.5"X 24"
- 27 1057991 TRIM RING, V/F PORTLIGHT INNER CUSTOM 98

- 1376920 MOLDING, FOAM RBR "D-SHAPE" .216"X.354" W/ADH
- 1501824 HOSE, CONDUIT/SPLIT 3/4" FLAME RETARDANT
- 956797 CATCH, Y-TYPE WHT PLAS (ROTARY)

LABELS

- 1747493 LABEL, LEAVING WINDOW OPEN EXHAUST FUMES

GALLEY



GALLEY

1	1425024	BULB, REPL FOR #1197466 12V/20W HALOGEN (REPLACEMENT BULB FOR 1805075)	18	1479351	COVER, CORIAN 280DA-01 GLY SINK SNDSTN
	1805075	LIGHT, RIGG 6.25" RECESSED 12V/20W SAT NCKL		1802476	COVER, CORIAN 280DA-05 GLY SINK BRNT AMBR
2	1873206	280DA 07, DOOR, STRG UPR GLY	19	1676816	T-MOLD, VINYL INSERT 5/8" POL CHR (FLEX)
3	525667	HINGE, CONCEALED FULL OVERLAY MT PLATE ONLY	20	1772522	FAUCET, GLY 7"RISE BRUSHED NCKL/CHR
4	839399	HINGE, SELF CLOSING BLUM SCREW-ON		1807537	FAUCET, GLY 7"RISE HANDLE CAP BRSHD NCKL/CHR (PART OF 1772522)
5	1776837	PULL, ROSETTE SAT/NCKL RND 16MM (5/8")		1807538	FAUCET, GLY 7"RISE HNDL SCREW BRSHD NCKL/CHR (PART OF 1772522)
6	1742136	PULL, PUSH-BUTTON KNOB SAT/NCKL		1807539	FAUCET, GLY 7"RISE HNDL WASHER BRSHD NCKL/CHR (PART OF 1772522)
7	772418	CATCH, RIM-LOCK WHT		1807540	FAUCET, GLY 7"RISE HNDL RING BRSHD NCKL/CHR (PART OF 1772522)
8	761445	CATCH, RIM-LOCK STRIKE PLATE		1807541	FAUCET, GLY 7"RISE HANDLE BRSHD NCKL/CHR (PART OF 1772522)
9	1802787	FBRGLS PART, 280DA-05 GLY TOP BRNT AMBR		1807542	FAUCET, GLY 7"RISE VALVE BRSHD NCKL/CHR (PART OF 1772522)
	1690097	FBRGLS PART, 280DA-02 GLY TOP SANDSTONE		1807543	FAUCET, GLY 7"RISE SPOUT BRSHD NCKL/CHR (PART OF 1772522)
10	1494418	STOVE, ELEC 1-BURNER CARIBBEAN COOKTOP 110		1807544	FAUCET, GLY 7"RISE AERATOR BRSHD NCKL/CHR (PART OF 1772522)
	1494459	STOVE, ELEC 1-BURNER CARIBBEAN COOKTOP 240 (220 VOLT / 50 CYCLE ELECTRICAL SYSTEM)		1807545	FAUCET, GLY 7"RISE MOUNTING BRSHD NCKL/CHR (PART OF 1772522)
	1479146	COVER, CORIAN 280DA-01 STOVE SNDSTN POLISHED	21	1687637	MICROWAVE, SYLVANIA 0.5CF BLK 110V
	1802468	COVER, CORIAN 290DA-06 STOVE BRNT AMBR PLSHD		1793050	MICROWAVE, SYLVANIA 0.5CF BLK 220V (220 VOLT / 50 CYCLE ELECTRICAL SYSTEM)
	1560812	SWITCH, PUSH-BTN STV W/48"20GA/1.7LB W/RSDBTN		1787507	RECEPTACLE, DUPLEX BRN 15A LVT
	1817495	RELAY, 120VAC 30 AMP SPDT (HULL# 1202 -> UP) (NOT USED WITH BUTANE STOVE)		1787551	RECEPTACLE, GERMAN STD MOS WHT(SNAP CVR) LVT (220 VOLT / 50 CYCLE ELECTRICAL SYSTEM)
	1144088	RELAY, 120VAC 20 AMP SPDT (HULL# 1201 ONLY) (NOT USED WITH BUTANE STOVE)		1787508	COVER PLATE, SGL DUPLEX RECEPT BRN LVT
	583906	RELAY, 240VAC 50/60 HZ 20 AMP DPDT (220 VOLT / 50 CYCLE ELECTRICAL SYSTEM)		627737	BOX, RECEPTACLE/SWITCH PVC 1-GANG DEEP
	1763796	RAIL, STOVE 1-BURNER ALCOHOL (ALCOHOL / ELEC. STOVE - SINGLE BURNER 120V) (ALCOHOL / ELEC. STOVE - SINGLE BURNER 220V)	22	122929	TRACK, TAMBOUR SLIDE LEFT SPIRAL
	729954	STOVE, ALC/ELEC 1-BURNER W/BLK GLASS LID 110V (ALCOHOL / ELEC. STOVE - SINGLE BURNER 120V)		122937	TRACK, TAMBOUR SLIDE RIGHT SPIRAL
	729962	STOVE, ALC/ELEC 1-BURNER W/BLK GLASS LID 220V (ALCOHOL / ELEC. STOVE - SINGLE BURNER 220V)	23	1873204	280DA 07, DOOR, GLY TMBR
	1510650	INSERT, CORIAN 280DA-01 STOVE SNDSTN ALC/ELEC (ALCOHOL / ELEC. STOVE - SINGLE BURNER 120V) (ALCOHOL / ELEC. STOVE - SINGLE BURNER 220V)		1735673	TAMBOUR, 1/8" 4 X 8 BLOSSOM CHERRY
	1802472	INSERT, CORIAN 280DA-06 STV BRNTAMBR ALC/ELEC (ALCOHOL / ELEC. STOVE - SINGLE BURNER 120V) (ALCOHOL / ELEC. STOVE - SINGLE BURNER 220V)		601419	CHANNEL, VINYL-U ROUNDED 1/8" POL CHROME RIG
	1060060	STOVE, BUTANE SGL BURNER W/GLASS LID/POT HOLD (BUTANE STOVE)	24	1787506	RECEPTACLE, DUPLEX BLACK 15A
	1389402	STOVE, BUTANE SGL BURNER W/GLS LID/POT HLD CE (BUTANE STOVE - CE APPROVED)		1787551	RECEPTACLE, GERMAN STD MOS WHT(SNAP CVR) LVT (220 VOLT / 50 CYCLE ELECTRICAL SYSTEM)
	1511070	INSERT, CORIAN 280DA-01 STOVE SNDSTN BUTANE (BUTANE STOVE)		627737	COVER PLATE, SGL DUPLEX RECEPT BLK LVT
	1802471	INSERT, CORIAN 280DA-06 STOVE BRNT AMBR BUTNE (BUTANE STOVE)		627737	BOX, RECEPTACLE/SWITCH PVC 1-GANG DEEP
	1745158	LABEL, FUEL RECOMMENDATION/LP GAS WARNING (ALCOHOL / ELEC. STOVE - SINGLE BURNER 120V) (ALCOHOL / ELEC. STOVE - SINGLE BURNER 220V) (BUTANE STOVE)	25	1287283	RECEPTACLE, FEMALE 12V LONG THRD BLK (NOT USED WITH TV - FLAT SCREEN W/ DVD)
	1787507	(BUTANE STOVE - CE APPROVED)		1259977	PLATE, FEMALE 12V RECEPTACLE MNT (NOT USED WITH TV - FLAT SCREEN W/ DVD)
	1787551	RECEPTACLE, DUPLEX BRN 15A LVT	26	1180041	ANTENNA, TV AMP W/SHIP/SHORE A/B SW 12/24VDC (TV - FLAT SCREEN W/ DVD)
	1787508	COVER PLATE, SGL DUPLEX RECEPT BRN LVT	27	1688434	PANEL, 340DA-03 SLN/FWD STRM LIGHT SW BLK
	627737	BOX, RECEPTACLE/SWITCH PVC 1-GANG DEEP	28	1541655	ACTUATOR, ROCK SWITCH-LIGHTS BLK (PART OF 1688434)
11	1747819	RAIL, GRAB 18" OVAL W/STUD 316L		797761	BODY, ROCK SW SPST BLK 12V INCAND NON-LIT (PART OF 1688434)
12	1658368	REFRIGERATOR, 2.7 CF	29	1839622	CURTAIN, 280/290DA-07 GLAMOUR OATML PRTLIGHT (INTERIOR PACKAGE - A, B, D)
	1671064	REFRIGERATOR, 2.7 CF AC/DC 220/50 (220 VOLT / 50 CYCLE ELECTRICAL SYSTEM)		1840037	CURTAIN, 280/290DA-07 MOREHEAD/PRL PRTLIGHT (INTERIOR PACKAGE - C)
	1806041	REFRIGERATOR, 2.7 CF DOOR ASSY 220/50 (PART OF 1671064)		1338599	SNAP STUD, 5/8" FLANGED SLVR
	1738813	LATCH, COVER PLATE FOR TRAVEL LATCH (PART OF 1671064)	ACCENT VINYL		
	1738814	LATCH, TRAVEL LATCH SPRING (PART OF 1671064)	989426	VINYL, ALLANTE II BLK EXP FLAT	
	1738816	LATCH, TRAVEL PLATE (PART OF 1671064)	BRACKETS		
	1546274	SHELF, LDPVC 290BR-01 REFRIGERATOR	835710	BRACKET, ALUM 1"X 1"X 20" 3/16"HOLES 2SIDES	
	1873207	280DA 07, INSERT, FRDG	835835	BRACKET, ALUM 1"X 1"X 3" 3/16"HOLES 2SIDES	
	1787507	RECEPTACLE, DUPLEX BRN 15A LVT	835850	BRACKET, ALUM 1"X 1"X 1" 3/16"HOLES	
	1787551	RECEPTACLE, GERMAN STD MOS WHT(SNAP CVR) LVT (220 VOLT / 50 CYCLE ELECTRICAL SYSTEM)	836122	BRACKET, PVC 1.5"X 1.5"X 3" 3/16"HOLES	
	1787508	COVER PLATE, SGL DUPLEX RECEPT BRN LVT	EDGE BAND		
	627737	BOX, RECEPTACLE/SWITCH PVC 1-GANG DEEP	898882	MICA, PVC EDGE BAND 7/8"X .017 BLK MATTE	
13	431098	BASKET, TRASH 11 3/8"X 8.25"X 12 1/8" BEIGE	ELECTRICAL		
14	1873208	280DA 07, STEP, ENTR	144899	BOX, PVC SWITCH BOX	
	1316983	FLOORING, VINYL LONCOIN II FLECKS SANDSTONE	144907	COVER PLATE, SWITCH BOX BLUE PVC	
	15198663	HINGE, AL CONT FORM/SGL 1.25"X 72" BLK	1881817	RECEPTACLE, GFCCI DPLX BLK W/IND/SMRTLCK 15A (HULL# 1315 -> UP)	
	161873205	280DA 07, DOOR, STRG LWR GLY	1787503	RECEPTACLE, GFCCI DPLX BLK W/IND LIGHT 15A LVT (HULL# 1201 -> 1314)	
	171780215	NOSING, ALUM 5/8"X 12' T-1 ROUNDED BRUSHED	1525997	PANEL, 280DA-01 SGL LIGHT BEIGE W/BLK ROCKERS	
			797761	BODY, ROCK SW SPST BLK 12V INCAND NON-LIT (PART OF 1525997)	
			1541655	ACTUATOR, ROCK SWITCH-LIGHTS BLK (PART OF 1525997)	
			975037	BRKR, IDEA 230V 2P EURO GFCCI 16A 10MA WHT (220 VOLT / 50 CYCLE ELECTRICAL SYSTEM)	
			1204064	BULB, PLUTO 220V (220 VOLT / 50 CYCLE ELECTRICAL SYSTEM)	

ELECTRICAL (continued)

826867 BRKR/TOGGLE, 2-POLE AC MED DELAY 25A
(220 VOLT / 50 CYCLE ELECTRICAL SYSTEM)
893289 FRAME, IDEA-SERIES 3-GANG SUPPORT FRAME GREY
(220 VOLT / 50 CYCLE ELECTRICAL SYSTEM)
975011 SWITCH, BLANK IDEA-SERIES WHT
(220 VOLT / 50 CYCLE ELECTRICAL SYSTEM)
975029 COVER PLATE, IDEA-SERIES 3-GANG WHT
(220 VOLT / 50 CYCLE ELECTRICAL SYSTEM)

HARNESSES

1806130 HARNESS, 280DA-06 CABIN 120V
1806131 HARNESS, 280DA-06 CABIN 220V
(HULL# 1300 -> 1315)
(220 VOLT / 50 CYCLE ELECTRICAL SYSTEM)

INVERTER - 12V TO 120V/60 CYCLE

1812978 INVERTER, TRUSINE WAVE XANTREX 400W 12VDC
1881816 RECEPTACLE, GFCI DPLX WHT W/IND/SMRTLCK 15A
(HULL# 1385 -> UP)
1787502 RECEPTACLE, GFCI DPLX WHT W/IND LIGHT 15A LVT
(HULL# 1201 -> 1384)
1881817 RECEPTACLE, GFCI DPLX BLK W/IND/SMRTLCK 15A
(HULL# 1315 -> UP)
1787503 RECEPTACLE, GFCI DPLX BLK W/IND LIGHT 15A LVT
(HULL# 1201 -> 1314)
627737 BOX, RECEPTACLE/SWITCH PVC 1-GANG DEEP
355081 BRKR/ROCK, SGL-POLE AC/DC HORZ 25A RED
1816196 LABEL, WARNING ELEC SHK HZRD INVRTR DISCNT DC
1816197 LABEL, WARNING ELEC SHK HZRD INVRTR FED RECPT
1816198 LABEL, CAUTION ELEC LOAD ONLY INVRTR REPT

LABELS

129122 LABEL, NMMA CERTIFIED
1744738 LABEL, RECEPTACLE 12V-15A MAX (LEXAN)
1744745 LABEL, DISPOSAL OF GARBAGE
1747505 LABEL, INFO REPL PROD/BROCH/DLRLOC/ETC
1812911 LABEL, DANGER CO CABIN 06

MICA

1733074 MICA, 4'X 8'X.030"BLOSSOM CHERRY GLOSS GR20
586230 MICA, 4'X 8'X.042"BLK MATTE GR12

NOT SHOWN

609883 CLEAT, PLAS 3/4"X 1"X 4" GREY
840850 LIGHT, COURTESY OVAL STEP ANTIQUE WHT (INT)
1184639 BULB, REPL FOR MRP #0840850 (STEP LT)
(REPLACEMENT BULB FOR 840850)

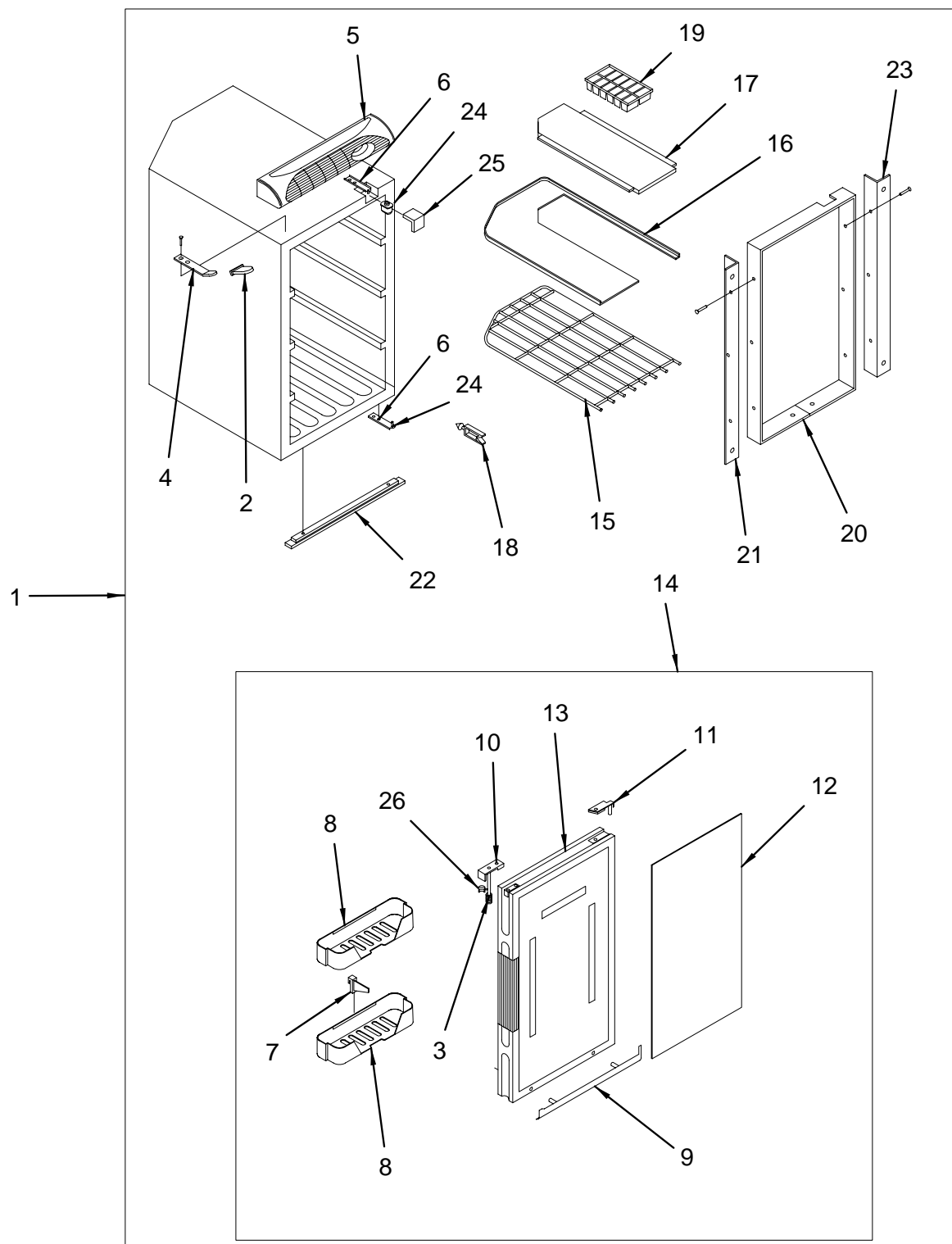
VINYLS

1003474 VINYL, ALLANTE II CREAM EXP FLAT
(INTERIOR PACKAGE - A, B, D)
1142165 VINYL, ALLANTE II WHT SAND EXP FLAT
(INTERIOR PACKAGE - C)

WELT

1212117 WELT, RVIEW LT CAMEO 8/32" GLUED

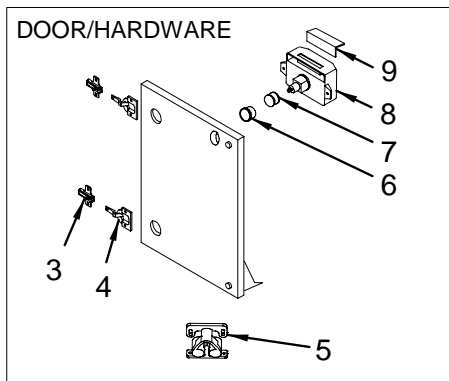
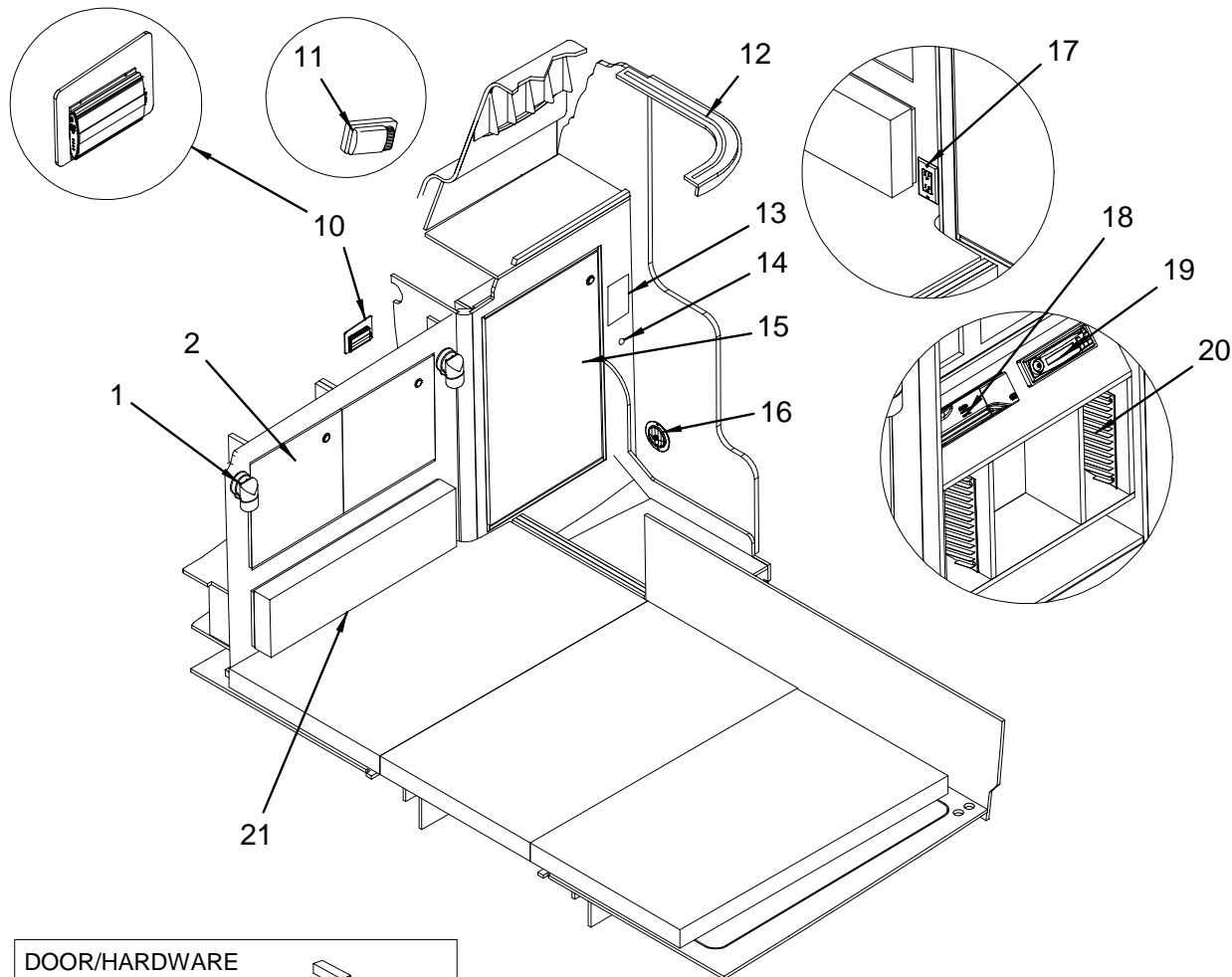
GALLEY (REFRIGERATOR)



GALLEY (REFRIGERATOR)

1	1658368	REFRIGERATOR, 2.7 CF
2	1738813	LATCH, COVER PLATE FOR TRAVEL LATCH
3	1738814	LATCH, TRAVEL LATCH SPRING
4	1738816	LATCH, TRAVEL PLATE
5	1804906	REFRIGERATOR, 2.7 CF CVR-CNTRL
6	1804907	REFRIGERATOR, 2.7 CF HINGE ASSY
7	1804908	REFRIGERATOR, 2.7 CF PARTITION DOOR POCKET
8	1804994	REFRIGERATOR, 2.7 CF DOOR SHELF BIN
9	1804995	REFRIGERATOR, 2.7 CF DOOR FRAME BTM
10	1805268	REFRIGERATOR, 2.7 CF CVR HINGE LH
11	1805269	REFRIGERATOR, 2.7 CF CVR HINGE RH
12	1805270	REFRIGERATOR, 2.7 CF DOOR PNL BLK
13	1805271	REFRIGERATOR, 2.7 CF DOOR FRAME ASSY
14	1805284	REFRIGERATOR, 2.7 CF DOOR ASSY
15	1805285	REFRIGERATOR, 2.7 CF SHELF LWR
16	1805286	REFRIGERATOR, 2.7 CF SHELF UPR
17	1805287	REFRIGERATOR, 2.7 CF DRAINAGE PAN
18	1805288	REFRIGERATOR, 2.7 CF HOLDER SHELF REAR
19	1805289	REFRIGERATOR, 2.7 CF ICE CUBE TRAY
20	1805290	REFRIGERATOR, 2.7 CF FRAME CVR/4 SIDES BLK
21	1805291	REFRIGERATOR, 2.7 CF FRAME CAB LH
22	1805292	REFRIGERATOR, 2.7 CF FRAME CAB BTM
23	1805293	REFRIGERATOR, 2.7 CF FRAME CAB RH
24	1805294	REFRIGERATOR, 2.7 CF BUSHING
25	1805295	REFRIGERATOR, 2.7 CF BUSHNG "I"
26	1805570	REFRIGERATOR, 2.7 CF DOOR HANDLE ASSY

MID STATEROOM



MID STATEROOM

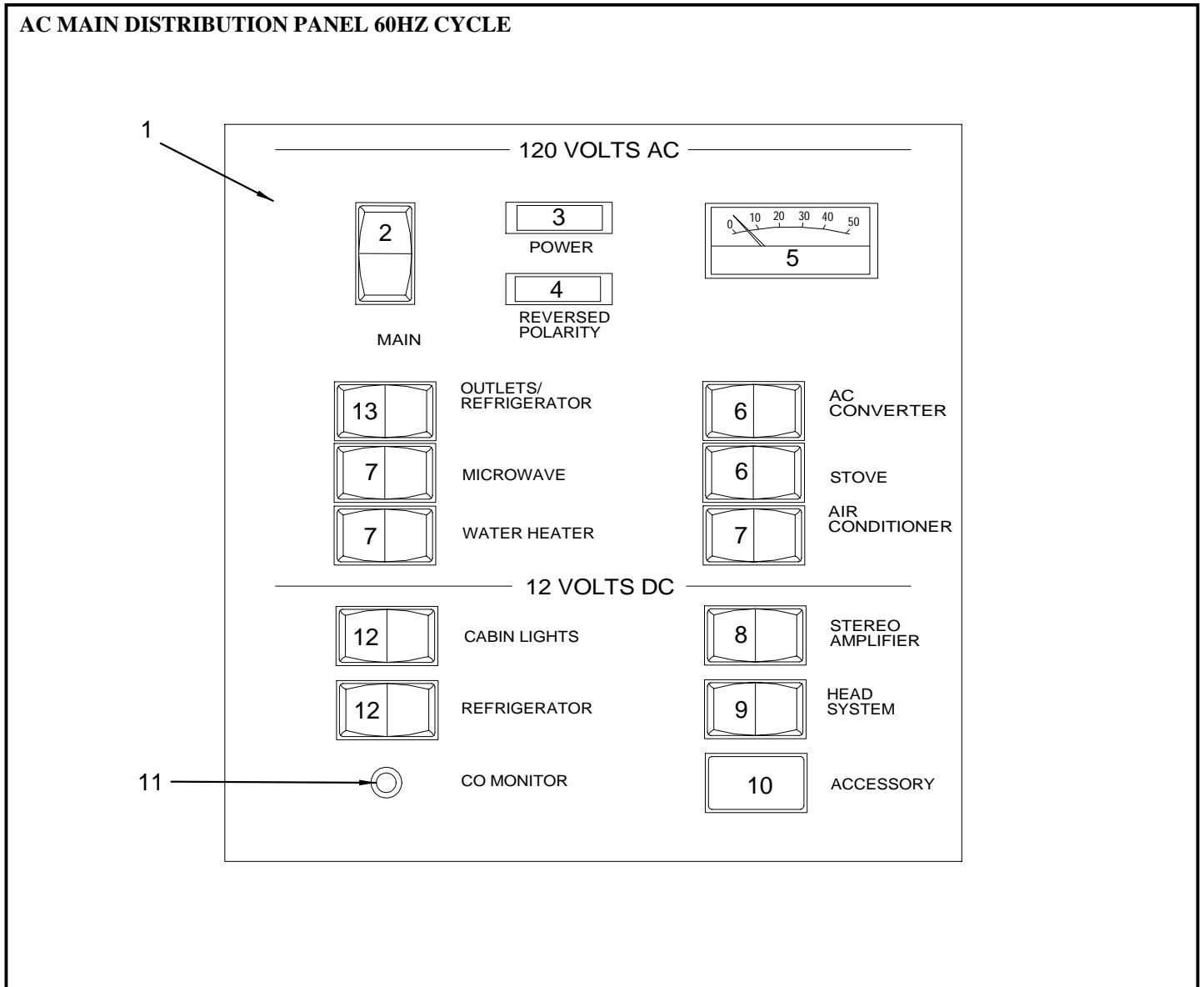
- 1 1831205 SPOTLIGHT, SWVL TASK BRSHD SS W/SW N/CONN
- 1820310 BULB, REPL FOR #1803184/1831205
(REPLACEMENT BULB FOR 1831205)
- 2 1514009 MIRROR, PLEX 280DA-01 MID STRM CAB
- 3 525667 HINGE, CONCEALED FULL OVERLAY MT PLATE ONLY
- 4 839399 HINGE, SELF CLOSING BLUM SCREW-ON
- 5 956797 CATCH, Y-TYPE WHT PLAS (ROTARY)
- 6 1776837 PULL, ROSETTE SAT/NCKL RND 16MM (5/8")
- 7 1742136 PULL, PUSH-BUTTON KNOB SAT/NCKL
- 8 772418 CATCH, RIM-LOCK WHT
- 9 761445 CATCH, RIM-LOCK STRIKE PLATE
- 10 1804089 STEREO, AMP MARINE AUDIO MA-PA2.1 12V
- 1854218 STEREO, AMP JL 450W6/5/4/3 CH POWER AMP WHT
(HULL# 1372 -> UP)
(PREMIUM COCKPIT SOUND SYSTEM - 12 VOLT)
- 1807866 STEREO, AMP PANASONIC 400W 4CHNL
(HULL# 1201 -> 1371)
(PREMIUM COCKPIT SOUND SYSTEM - 12 VOLT)
- 1782018 STEREO, AMP CLARION APX280M
(HULL# 1201 -> 1371)
(PREMIUM COCKPIT SOUND SYSTEM - 12 VOLT)
- 1750879 CABLE, RCA AUDIO "Y" (1-FM/2-M) W/NOISE SUPP
(PREMIUM COCKPIT SOUND SYSTEM - 12 VOLT)
- 11 312975 LIGHT, SGL DOME FLUSH MT WHT W/SWITCH
- 604801 BULB, DOME LIGHT 12V
(REPLACEMENT BULB FOR 312975)
- 12 132183 TRACK, ALUM CURT TRK 0.275"X 0.688" TAB TYPE
- 13 1604271 A/C COMP, DISPLAY ECU BLK W/3/4" DOOR
(AIR CONDITIONING / HEATING-10000BTU-120V/60)
(AIR CONDITIONING / HEATING-10000BTU-220V/50)
- 1055821 A/C COMP, FACE PLATE FOR CONTROL BLK
(PART OF 1604271)
- 14 1850253 VIDEO EQUIPMENT, AUXILIARY INPUT MP3 MA-AUX2
(HULL# 1214 -> UP)
- 1803674 VIDEO EQUIPMENT, AUXILIARY INPUT MP3
(HULL# 1201 -> 1213)
- 15 1873174 280DA 07,DOOR,STRG AFT DIN
- 1746899 LABEL, DANGER CARBON MONOXIDE (LEXAN)
- 622050 BUMPER, CLEAR THIN 3/8"
- 16 948968 A/C COMP, HOSE RING 3" PLAS ROUND
(AIR CONDITIONING / HEATING-10000BTU-120V/60)
(AIR CONDITIONING / HEATING-10000BTU-220V/50)
- 17 1787506 RECEPTACLE, DUPLEX BLACK 15A
- 1787551 RECEPTACLE, GERMAN STD MOS WHT(SNAP CVR) LVT
(220 VOLT / 50 CYCLE ELECTRICAL SYSTEM)
- 1787521 COVER PLATE, SGL DUPLEX RECEPT BLK LVT
- 627737 BOX, RECEPTACLE/SWITCH PVC 1-GANG DEEP
- 18 1733835 STEREO, CD CHANGER 6-DISC DCZ625 C-NET
- 1122357 STEREO, CD (6 DISC) MAGAZINE CLARION
(PART OF 1733835)
- 19 1854318 STEREO, AM/FM CD/CHNGR/SIR/XM SAT CMD4A
(HULL# 1201 -> 1299)
- 1803464 STEREO, AM/FM CD W/CHNGR/SIR SAT PLAYER CMD4
(HULL# 1300 -> UP)
- 875484 ANTENNA LEAD, STEREO SOFT WIRE 30"
- 1750893 CABLE, RCA AUDIO 14' W/EFX-2 CONN N/SUP
- 1847461 STEREO, SIRIUS SATELLITE RCVR SIRCL3M-6MO
- 1887355 CABLE, SIRIUS SATELLITE RCVR CENET SIRCLM3
(PART OF 1847461)
- 20 1269026 HOLDER, COMPACT DISC 13CD HOLD BLK
- 21 198663 HINGE, AL CONT FORM/SGL 1.25"X 72" BLK
- 390849 CATCH, GRABBER LATCH W/10LB HOLD BLK PLAS

LABELS

- 1743616 LABEL, UNPLUG SHORE POWER WARNING
- 1751884 LABEL, 1/2"X 1.5" A/C CONDENSATE
(AIR CONDITIONING / HEATING-10000BTU-120V/60)
(AIR CONDITIONING / HEATING-10000BTU-220V/50)

NOT SHOWN

- 1596923 FUSE HOLDER, BLADE TYPE ACCY 10A
- 795583 BUSS BAR, SGL POST 5/16"
- 835710 BRACKET, ALUM 1"X 1"X 20" 3/16"HOLES 2SIDES
- 836007 BRACKET, ALUM 1.5"X 1.5"X 3" 3/16"HOLES
- 835892 BRACKET, ALUM 1.5"X 1.5"X 16" 3/16"HOLES

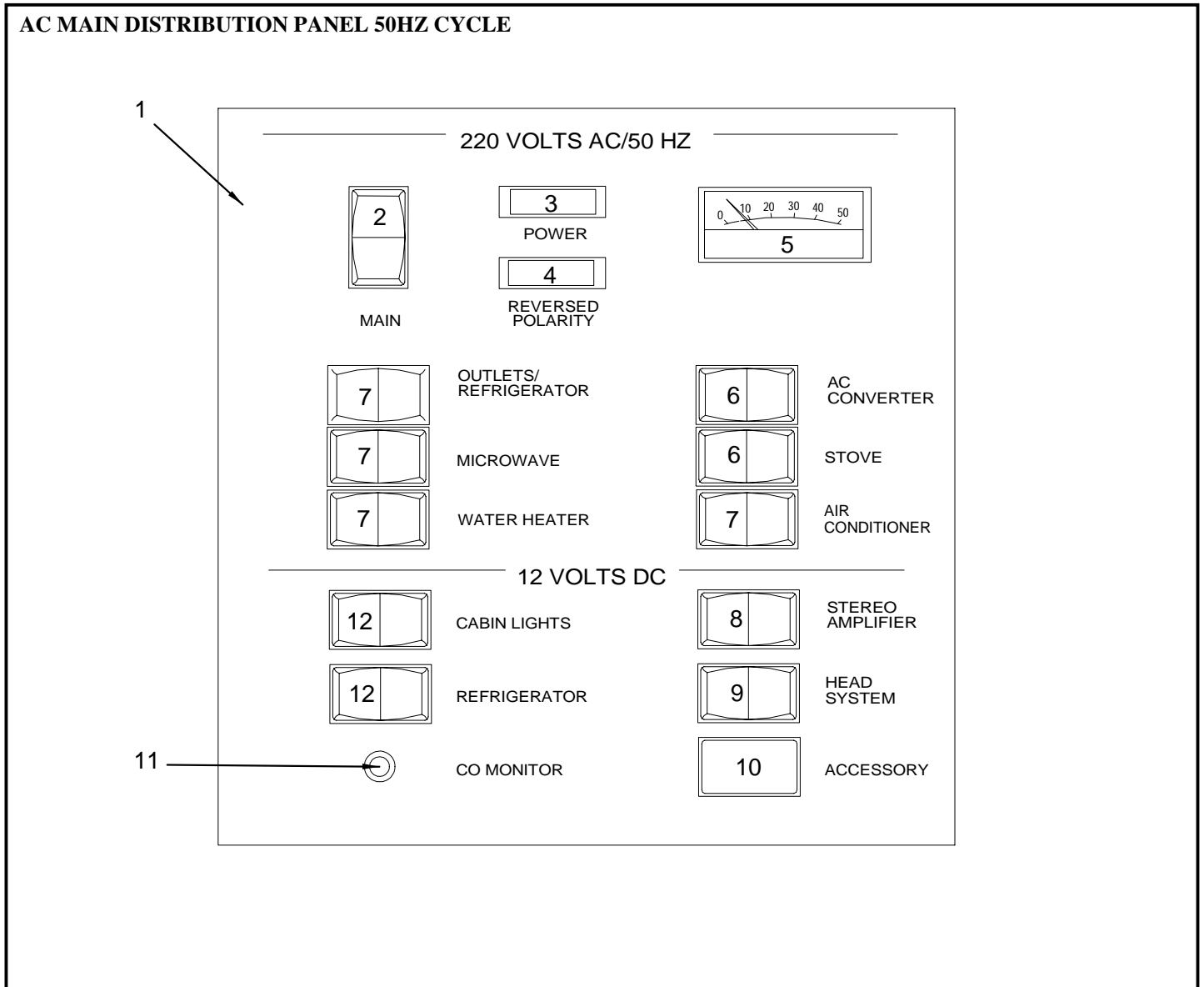


AC MAIN DISTRIBUTION PANEL 60HZ CYCLE

- 1 1508969 PANEL, 280DA-01 AC MDP 120/60
- 1524263 PANEL, BLANK:280DA-01 MDP AC
(BLANK PANEL FOR 1508969)
- 2 648873 BRKR/ROCK, 2-POLE AC/DC VERT 30A WHT
- 3 572529 LIGHT, POLARITY GRN 125V
- 4 557611 LIGHT, POLARITY RED 125V
- 5 767608 GAUGE, VOLTMETER AC 0-150 ANALOG WINDOW MT SM
- 6 332593 BRKR/ROCK, SGL-POLE AC/DC HORZ 10A WHT
- 7 331991 BRKR/ROCK, SGL-POLE AC/DC HORZ 20A WHT
- 8 1479922 BRKR/ROCK, SGL-POLE M-SERIES HORZ 25A RED
- 9 1506690 BRKR/ROCK, SGL-POLE M-SERIES HORZ 20A RED
- 10 1490200 PLUG, BRKR/ROCK M SERIES
- 11 1181700 BRKR, P/BTN-MANUAL RESET M-SERIES 1A W/SCREW
- 12 1181684 BRKR/ROCK, SGL-POLE M-SERIES HORZ 15A RED
- 13 331991 BRKR/ROCK, SGL-POLE AC/DC HORZ 20A WHT

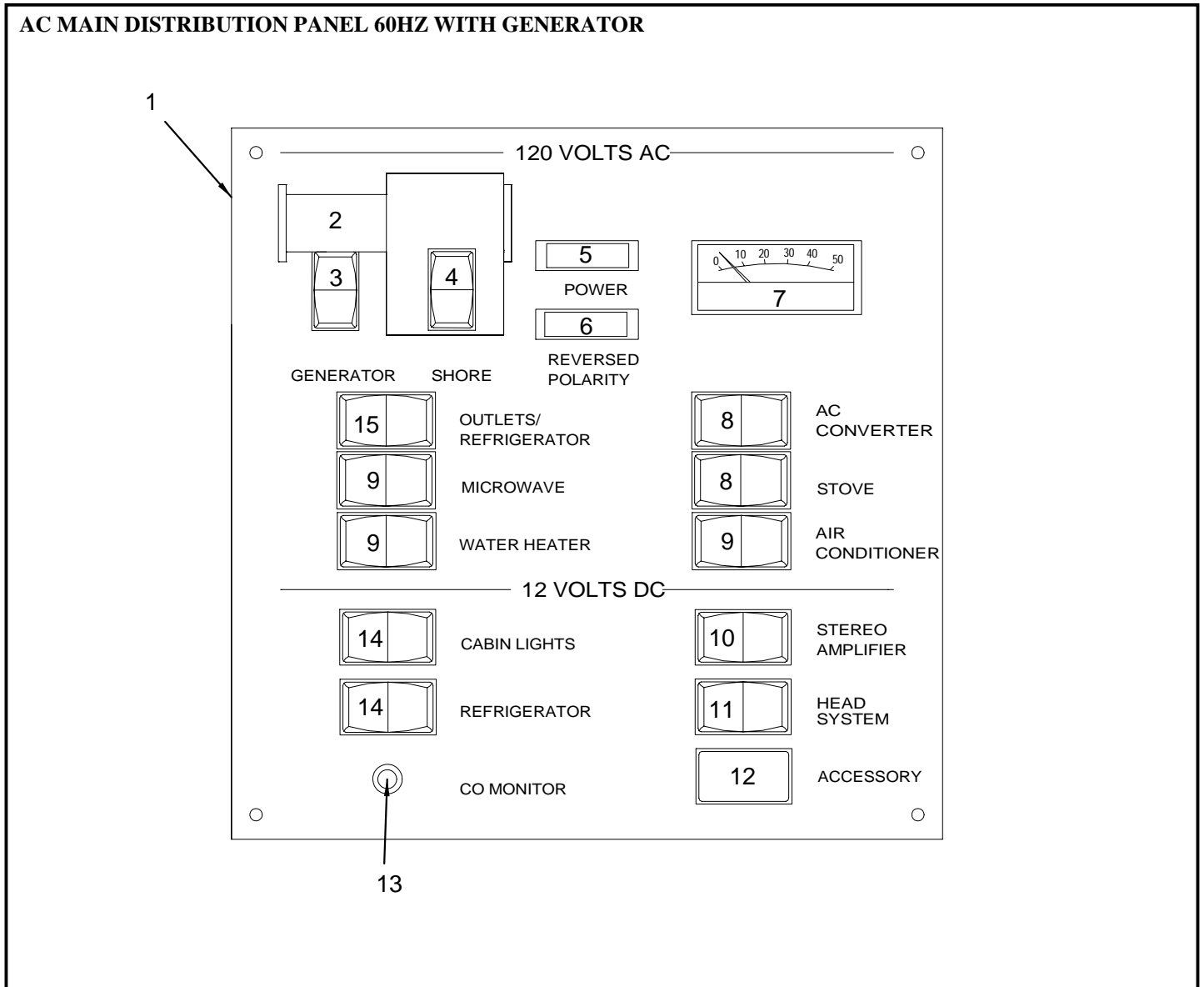
NOT SHOWN

- 432872 PLUG, BRKR/ROCK



AC MAIN DISTRIBUTION PANEL 50HZ CYCLE

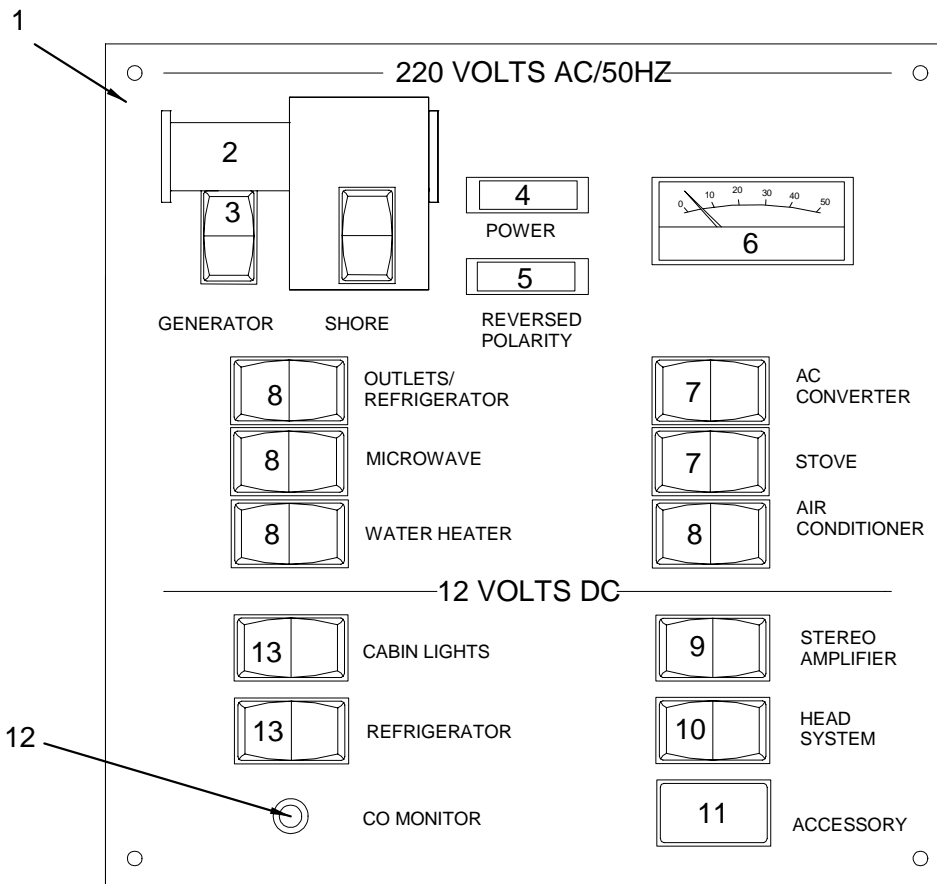
- 1 1508977 PANEL, 280DA-01 AC MDP 220/50
- 1524271 PANEL, BLANK:280DA-01 MDP AC 220/50
(BLANK PANEL FOR 1508977)
- 2 440354 BRKR/ROCK, 2-POLE AC/DC VERT 20A WHT
- 3 557603 LIGHT, POLARITY GRN 220V
- 4 557629 LIGHT, POLARITY RED 220V
- 5 796334 GAUGE, VOLTMETER AC 0-300 ANALOG WINDOW MOUNT
- 6 353326 BRKR/ROCK, SGL-POLE AC/DC HORZ 5A WHT
- 7 332593 BRKR/ROCK, SGL-POLE AC/DC HORZ 10A WHT
- 8 1479922 BRKR/ROCK, SGL-POLE M-SERIES HORZ 25A RED
- 9 1506690 BRKR/ROCK, SGL-POLE M-SERIES HORZ 20A RED
- 10 1490200 PLUG, BRKR/ROCK M SERIES
- 11 1181700 BRKR, P/BTN-MANUAL RESET M-SERIES 1A W/SCREW
- 12 1181684 BRKR/ROCK, SGL-POLE M-SERIES HORZ 15A RED



AC MAIN DISTRIBUTION PANEL 60HZ WITH GENERATOR

- 1 1508993 PANEL, 280DA-01 AC MDP 120/60 W/GEN
- 1524289 PANEL, BLANK:280DA-01 MDP AC W/GEN
(BLANK PANEL FOR 1508993)
- 2 340679 SLIDE ASSY, SLIDE BAR MDP PANEL
- 3 629337 BRKR/ROCK, 2-POLE AC/DC VERT 35A WHT
- 4 648873 BRKR/ROCK, 2-POLE AC/DC VERT 30A WHT
- 5 572529 LIGHT, POLARITY GRN 125V
- 6 557611 LIGHT, POLARITY RED 125V
- 7 767608 GAUGE, VOLTMETER AC 0-150 ANALOG WINDOW MT SM
- 8 332593 BRKR/ROCK, SGL-POLE AC/DC HORZ 10A WHT
- 9 331991 BRKR/ROCK, SGL-POLE AC/DC HORZ 20A WHT
- 10 1479922 BRKR/ROCK, SGL-POLE M-SERIES HORZ 25A RED
- 11 1506690 BRKR/ROCK, SGL-POLE M-SERIES HORZ 20A RED
- 12 1490200 PLUG, BRKR/ROCK M SERIES
- 13 1181700 BRKR, P/BTN-MANUAL RESET M-SERIES 1A W/SCREW
- 14 1181684 BRKR/ROCK, SGL-POLE M-SERIES HORZ 15A RED
- 15 331991 BRKR/ROCK, SGL-POLE AC/DC HORZ 20A WHT

AC MAIN DISTRIBUTION PANEL 50HZ WITH GENERATOR

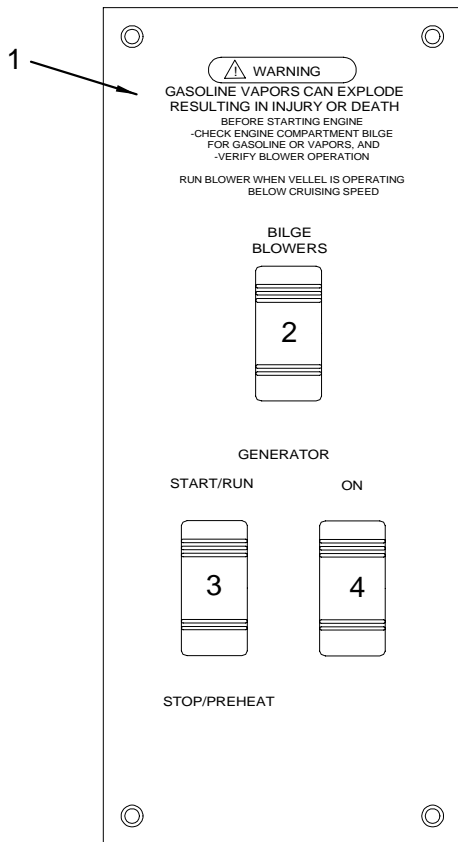


AC MAIN DISTRIBUTION PANEL 50HZ WITH GENERATOR

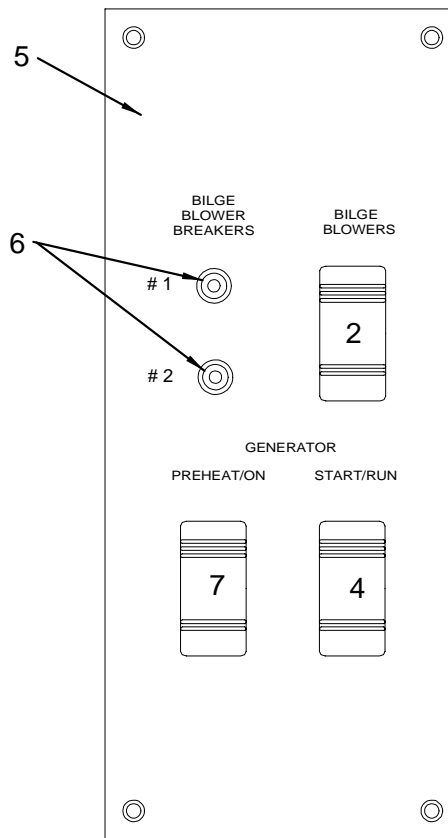
- 1 1508985 PANEL, 280DA-01 AC MDP 220/50 W/GEN
- 1524297 PANEL, BLANK:280DA-01 MDP AC 220/50 W/GEN
(BLANK PANEL FOR 1508985)
- 2 340679 SLIDE ASSY, SLIDE BAR MDP PANEL
- 3 440354 BRKR/ROCK, 2-POLE AC/DC VERT 20A WHT
- 4 557603 LIGHT, POLARITY GRN 220V
- 5 557629 LIGHT, POLARITY RED 220V
- 6 796334 GAUGE, VOLTMETER AC 0-300 ANALOG WINDOW MOUNT
- 7 353326 BRKR/ROCK, SGL-POLE AC/DC HORZ 5A WHT
- 8 332593 BRKR/ROCK, SGL-POLE AC/DC HORZ 10A WHT
- 9 1479922 BRKR/ROCK, SGL-POLE M-SERIES HORZ 25A RED
- 10 1506690 BRKR/ROCK, SGL-POLE M-SERIES HORZ 20A RED
- 11 1490200 PLUG, BRKR/ROCK M SERIES
- 12 1181700 BRKR, P/BTN-MANUAL RESET M-SERIES 1A W/SCREW
- 13 1181684 BRKR/ROCK, SGL-POLE M-SERIES HORZ 15A RED

GENERATOR PANEL

GAS GENERATOR PANEL



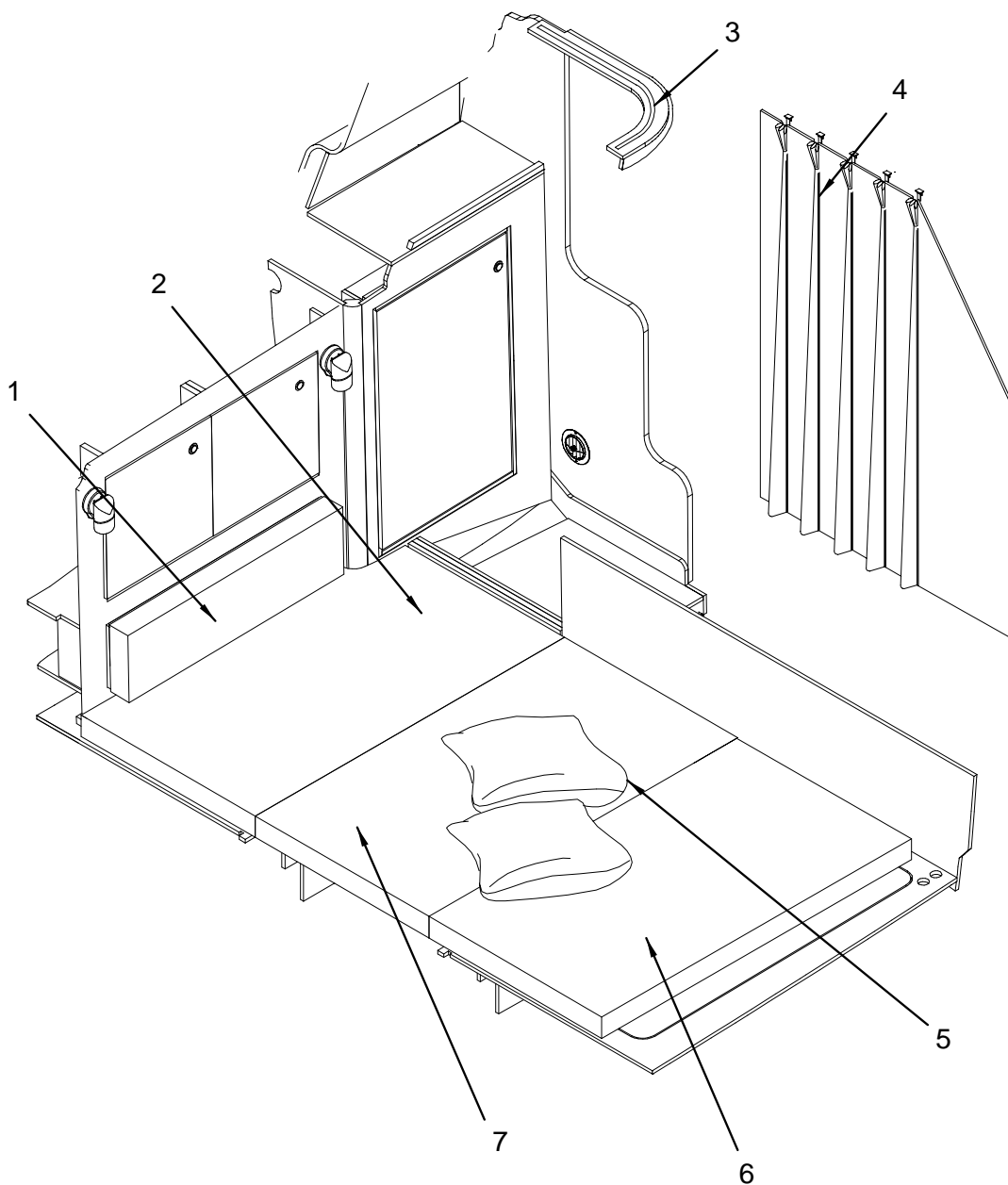
DIESEL GENERATOR PANEL



GENERATOR PANEL

- 1 1833278 PANEL, 280DA-06 GEN REMOTE GAS KOHLER ECD
(GEN. 5.0 ECD KOHLER - GAS - 120V/60HZ)
(GEN. 4.0 EFCD KOHLER - GAS - 220V/50HZ)
- 1850675 PANEL, BLANK 280DA-06 GEN REMOTE GAS KOHLER
(BLANK PANEL FOR 1833278)
- 2 679324 ACTUATOR, ROCK BLK W/BLUE LENS ACCY
799304 BODY, ROCK SW SPST (MOM) BLK W/IND INC LAMP
- 3 679324 ACTUATOR, ROCK BLK W/BLUE LENS ACCY
681494 BODY, ROCK SW DPDT MOM 12V W/INDEP INC LAMP
- 4 679324 ACTUATOR, ROCK BLK W/BLUE LENS ACCY
758045 BODY, ROCK SW 2 CKT PROG W/IND LMP
- 5 1719445 PANEL, 280DA-03 GEN REMOTE DSL KOHLER
(GENERATOR 4.0 EOZ KOHLER - DIESEL - 120V/60)
(GENERATOR 3.5 EFOZ KOHLER -DIESEL - 220V/50)
- 1850674 PANEL, BLANK:280DA-03 GEN REMOTE DSL KOHLER
(GENERATOR 4.0 EOZ KOHLER - DIESEL - 120V/60)
(GENERATOR 3.5 EFOZ KOHLER -DIESEL - 220V/50)
- 6 809806 BRKR, P/BTN-MANUAL RESET 6A
- 7 681486 ACTUATOR, ROCK BLK W/O LENS ACCY
1544204 SWITCH, DPST (MOM) EMER START

MID STATEROOM (UPHOLSTERY)



MID STATEROOM (UPHOLSTERY)

- 1 1873212 280DA 07,BLSTR,MIDSTRM FLDWN
- 1873211 280DA 07,BLSTR SKN,MIDSTRM FLDWN
- 2 1873217 280DA 07,CUSH,PRT MIDSTRM
- 1873214 280DA 07,CUSH SKN,PRT MIDSTRM
- 3 132183 TRACK, ALUM CURT TRK 0.275"X 0.688" TAB TYPE
- 4 1839619 CURTAIN, 280DA-07 GLAMOUR OATML AFT PRIV
(INTERIOR PACKAGE - A, B, D)
- 1840176 CURTAIN, 280DA-07 MOREHEAD/PRL AFT PRIV
(INTERIOR PACKAGE - C)
- 5 1794279 PILLOW PKG, 2006/07 SPCR VBRTH/MIDCAB PKGA(2)
- 1839721 PILLOW PKG, 2007 SPCR VBRTH/MIDCAB PKGB (2)
- 1839847 PILLOW PKG, 2007 SPCR VBRTH/MIDCAB PKGC (2)
- 1794301 PILLOW PKG, 2006/07 SPCR MIDCAB PKGD (2)
- 6 1873218 280DA 07,CUSH,STB MIDSTRM
- 1873215 280DA 07,CUSH SKN,STB MIDSTRM
- 7 1873216 280DA 07,CUSH,CTR MIDSTRM
- 1873213 280DA 07,CUSH SKN,CTR MIDSTRM

BOLSTER MATERIAL

- 1798080 FABRIC, GLAMOUR OATML-6"DIA QLT 10OZ/AC/B
(INTERIOR PACKAGE - A)
- 1798080 FABRIC, GLAMOUR OATML-6"DIA QLT 10OZ/AC/B
(INTERIOR PACKAGE - B)
- 1835632 FABRIC, MOREHEAD/PEARL-6"DIA QLT 10OZ/AC/B
(INTERIOR PACKAGE - C)
- 1797639 FABRIC, SLEEK WHEAT-6"DIA QLT 10OZ/AC/B
(INTERIOR PACKAGE - D)

CUSHION MATERIAL

- 1798080 FABRIC, GLAMOUR OATML-6"DIA QLT 10OZ/AC/B
(INTERIOR PACKAGE - A)
- 1833433 FABRIC, WALTER/SUEDE-6"DIA QLT 10OZ/AC/B
(INTERIOR PACKAGE - B)
- 1835632 FABRIC, MOREHEAD/PEARL-6"DIA QLT 10OZ/AC/B
(INTERIOR PACKAGE - C)
- 1797639 FABRIC, SLEEK WHEAT-6"DIA QLT 10OZ/AC/B
(INTERIOR PACKAGE - D)

FOAM

- 1475045 FOAM, P/C 280DA-01 MID STRM CUSH SET

HEADLINER/HULL LINER/WASHABLE SURFACE

- 1140367 VINYL, RVIEW LT CAMEO N/W FLAT
- 1736787 VINYL, RVIEW LT CAMEO N/W 1/2"FB
- 1747515 VINYL, RVIEW LT CAMEO N/W 1/4"FB
- 1212117 WELT, RVIEW LT CAMEO 8/32" GLUED

INTERIOR CARPET

- 1467182 CARPET, INT 44 OZ WHEATON 6"W 100% BCF NYLON

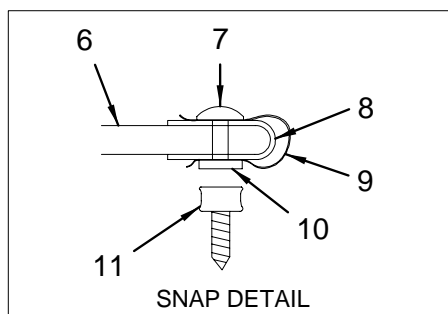
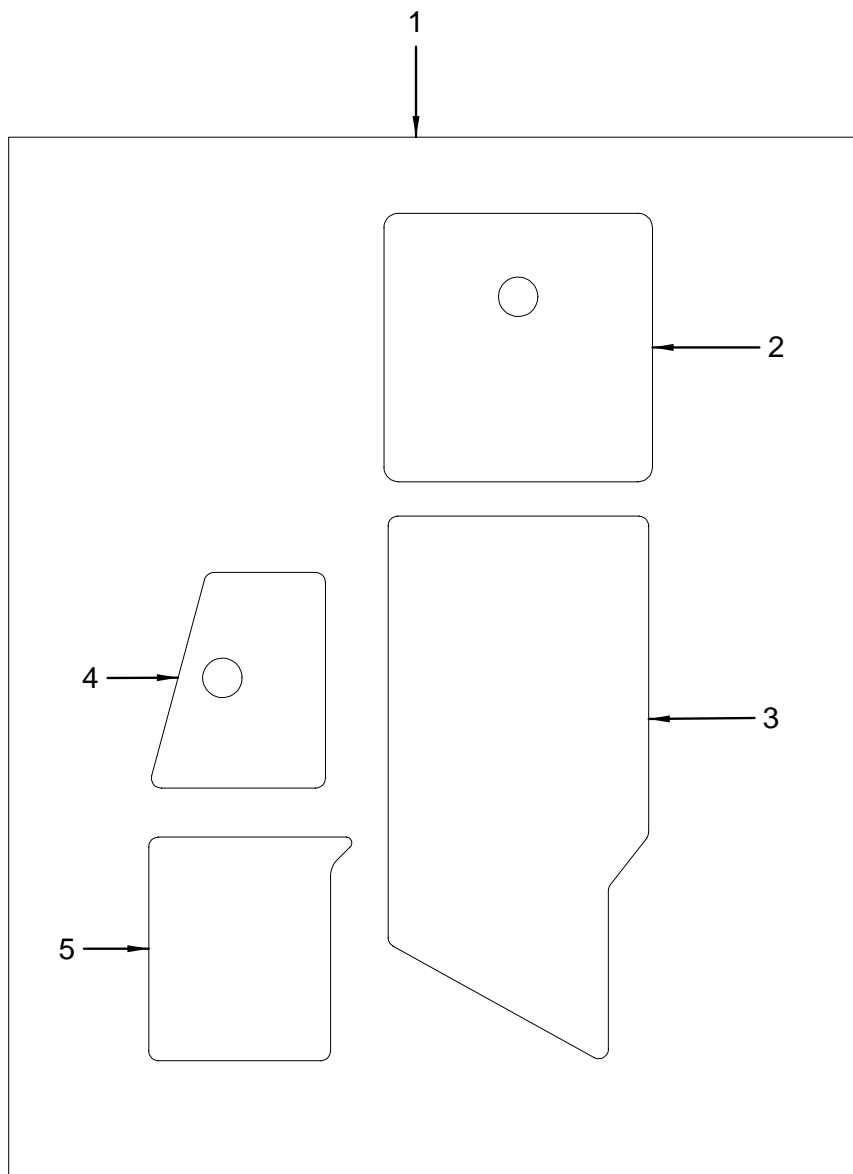
UPHOLSTERY

- 178517 VELCRO, LOOP WHT 2"
- 178756 TACK STRIP, CARDBOARD 1/2"X 71YDS
- 180182 ZIPPER, #5 DELRIN CONTINUOUS WHT
- 180406 SLIDE, DELRIN #5 WHT 1-S LOCK
- 103309 MESH, WHITE 60"

WELT

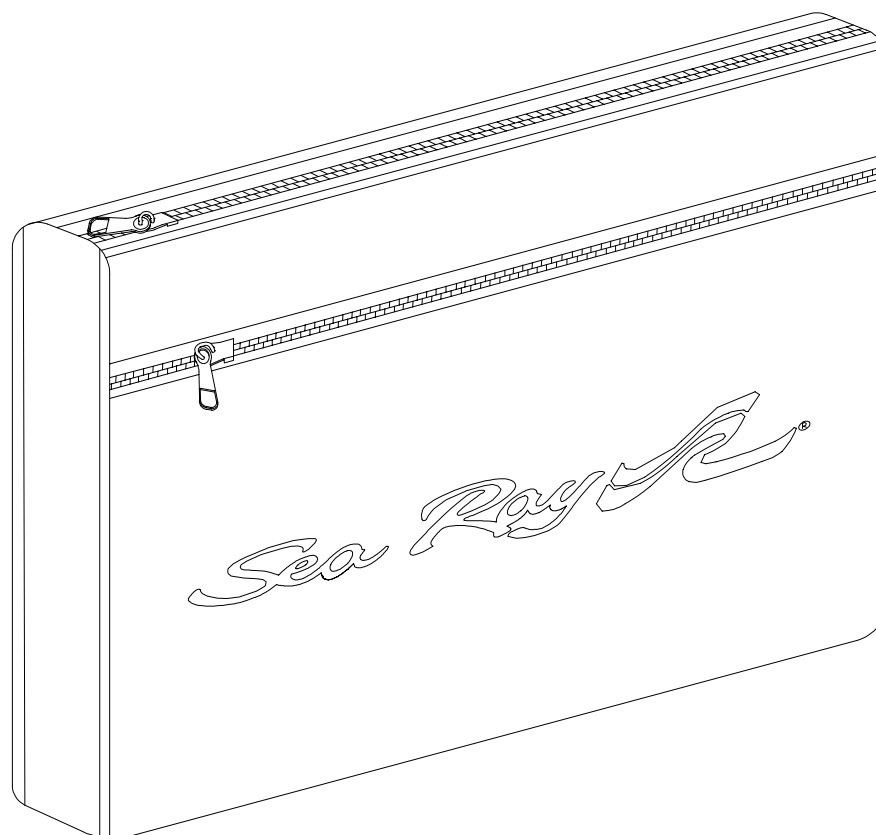
- 1142181 WELT, RVIEW LT CAMEO 5/32"

INTERIOR (CANVAS CARPET RUNNER)



INTERIOR (CANVAS CARPET RUNNER)

- 1 1873226 280DA 07,CANVAS,CARPET RNR SET TST
- 2 1883456 280DA 07,CANVAS,CARPET RNR FWDSTRM
- 3 1883457 280DA 07,CANVAS,CARPET RNR GLY
- 4 1883458 280DA 07,CANVAS,CARPET RNR DIN
- 5 1883459 280DA 07,CANVAS,CARPET RNR MIDSTRM
- 6 1180025 CANVAS, SUNBRELLA TOAST TWEED 60"
- 7 1163872 SNAP BUTTON, W/ 1/8" BARREL
- 8 1218205 BINDING, CANVAS 1" TOAST TWEED SNBRLA
- 9 1790664 SNAP REINFORCEMENT, PLAS BACKER 500 PC/ROLL
- 10 1163864 SNAP SOCKET, W/ 1/8" HOLE
- 11 154369 SNAP STUD, W/#8 X 3/8" PH SS

MULTI-INFO PACKET**MULTI-INFO PACKET****MULTI-INFO PACKET**

1848057 PACKET, MULTI-INFO 280DA-07

OWNERS PACKET CONTENTS

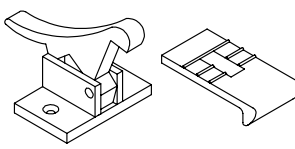
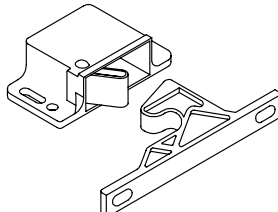
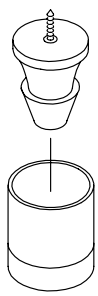
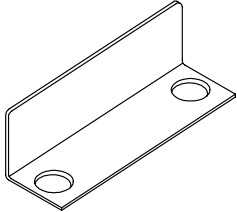
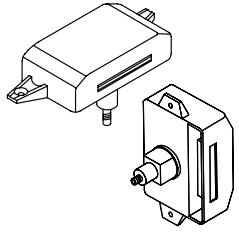
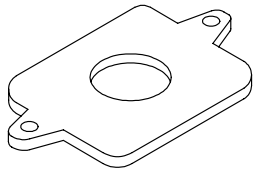
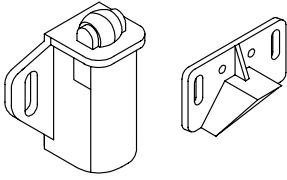
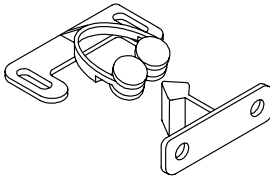
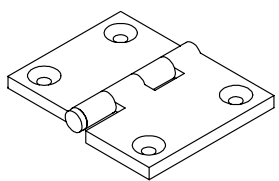
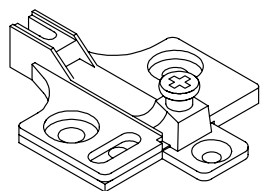
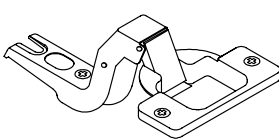
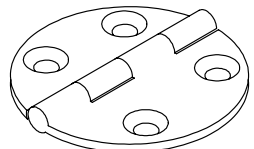
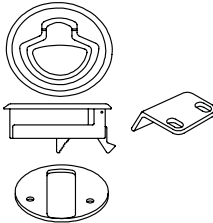
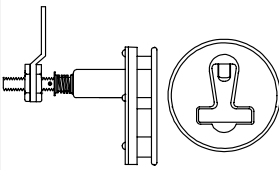
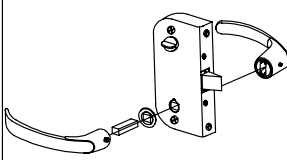
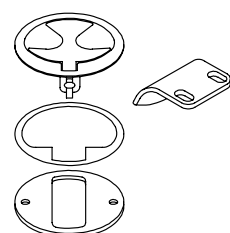
1848058 MANUAL, OWNERS - 280DA-07 10-TAB SPIRAL BOOK
 1846535 CARD, WARRANTY - SC/SY/Y '07
 1836824 CHECK LIST, IN SERVICE-SPBOATS/SPCRUISERS 06
 1507912 CARD, PASSPORT TO SAVINGS
 1764423 BROCHURE, CARBON MONOXIDE AWARENESS
 1766184 BROCHURE, WATERSKI SAFETY GUIDELINES
 1887036 BROCHURE, USCG YOU'RE IN COMMAND
 1887035 BROCHURE, USCG YOU'RE IN COMMAND PROP DANGER
 1798084 LABEL, CHEMICAL WARNINGS
 1411404 ENVELOPE, DEALER INFORMATION
 137711 CARD, NAVIGATION INFORMATION
 137729 CARD, COAST PILOTING INFORMATION
 750075 CARD, MARINE ELECTRONICS
 902726 PACKET, OWNERS BRIEFCASE CANVAS BLK (TYPHOON)
 833749 FUSE BOX, SPARE W/6 ATC BLADE STYLE
 1751553 BOOKLET, COAST GUARD FEDERAL REQUIREMENT
 1805468 CARD, LADDER MAINTENANCE
 1848351 MANUAL, CD DO'S AND DON'TS AT THE GAS PUMP

OWNERS PACKET SUPPLIED BY PLANT

187245 LABEL, BOATMAN'S CHECK LIST
 800565 BOOKLET, BOATER'S GUIDE TO AC ELECTRICAL SYST
 1068592 KEY, DECK PLATE CAP
 1683713 CARD, QUICK REFERENCE SHRPWR SPCRUIS/02
 1691479 MANUAL, OWNERS - SEA RAY INT'L 12-LANGUAGE
(C E OPTION GROUP)
 1750454 DECAL, SEA RAY OWNERS CLUB (NBOA) RV
 1766115 PACKET, SIRIUS WELCOME KIT
 1880468 CHECK LIST, INT'L DISCLOSURE SPBT/SPCRUSR '06
(HULL# 1372 -> UP)
(INTERNATIONAL IN-SERVICE CHECKLIST)

KNOXVILLE HARDWARE

KNOXVILLE PLANT HARDWARE

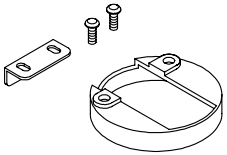
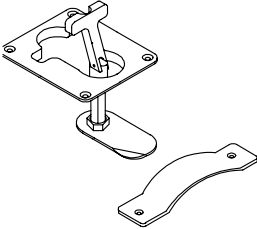
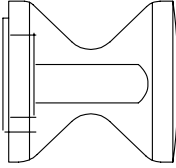
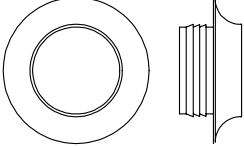
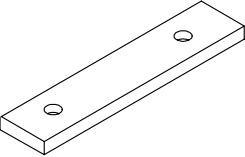
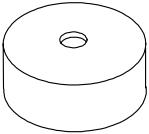
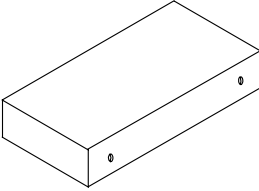
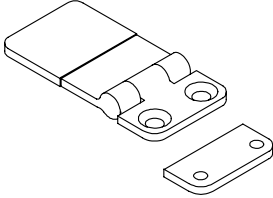
 <p>1 → 1591817</p>	<p>BLACK 10LB</p>  <p>2 → 390849</p>	 <p>3 → 1118314</p>	 <p>4 → 761445</p>
<p>WHITE</p>  <p>5 → 772418</p>	 <p>6 → 1132380</p>	<p>WHITE LARGE</p>  <p>7 → 140244</p>	 <p>8 → 956797</p>
 <p>9 → 132324</p>	 <p>10 → 525667</p>	 <p>11 → 839399</p>	 <p>12 → 1338821</p>
<p>STAINLESS STEEL</p>  <p>13 → 1781434</p>	<p>STAINLESS STEEL</p>  <p>14 → 1480813</p>	<p>SAT/NCK-RH OUT</p>  <p>15 → 1776179</p>	<p>STAINLESS STEEL</p>  <p>16 → 1411453</p>

KNOXVILLE HARDWARE

- 1 1591817 CATCH, ELBOW CHR 1 1/8"
(TV - FLAT SCREEN W/ DVD)
- 2 390849 CATCH, GRABBER LATCH W/10LB HOLD BLK PLAS
- 3 1118314 CATCH, RBR SUNPAD HOLD-DOWN
- 4 761445 CATCH, RIM-LOCK STRIKE PLATE
- 5 772418 CATCH, RIM-LOCK WHT
- 6 1132380 CATCH, RIM-LOCK WHT (SHIM ONLY)
- 7 140244 CATCH, SGL ROLLER WHT NYLON W/STRIKE LRG
- 8 956797 CATCH, Y-TYPE WHT PLAS (ROTARY)
- 9 132324 HINGE, BUTT CHROME/ZINC 2"
- 10 525667 HINGE, CONCEALED FULL OVERLAY MT PLATE ONLY
- 11 839399 HINGE, SELF CLOSING BLUM SCREW-ON
- 12 1338821 HINGE, SS STRAP 2.56" X 2.56" X 1/4"
- 13 1781434 LATCH, FLUSH MNT N/LOCKING SLAM SS
- 14 1480813 LATCH, FLUSH MOUNT ROUND T-HNDL SS W/PAWL
- 15 1776179 LATCH, OFFSHR FLSH RH-OUT PRVKNB SAT/NCK 5/8"
- 16 1411453 LATCH, FLUSH MOUNT PULL SS (SLAM)

KNOXVILLE HARDWARE (CONTINUED 1)

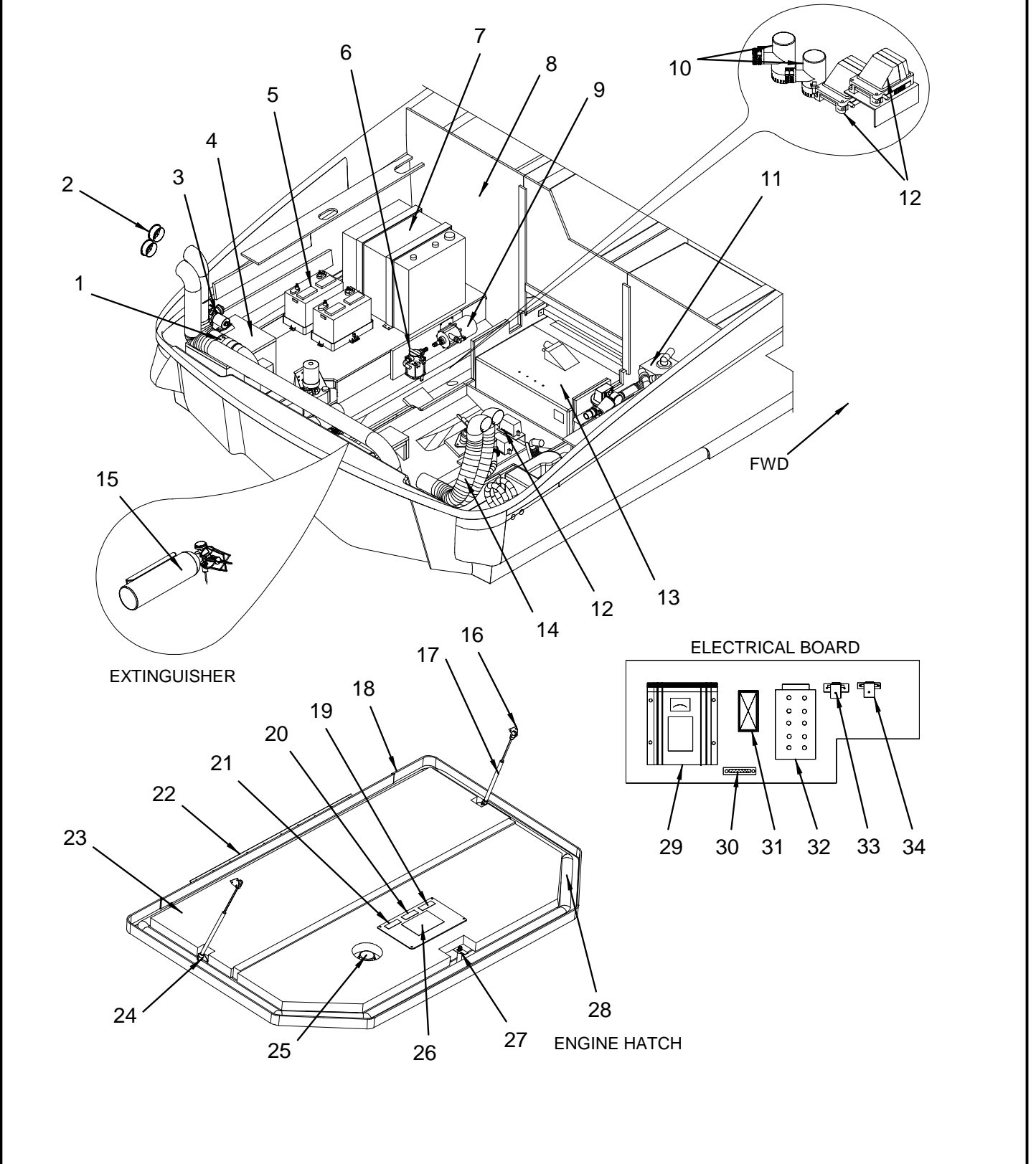
KNOXVILLE PLANT HARDWARE

 <p>1 → 1781435</p>	<p>STAINLESS STEEL</p>  <p>2 → 1683350</p>	<p>SATIN/NICKEL</p>  <p>3 → 1742136</p>	<p>SATIN/NICKEL</p>  <p>4 → 1776837</p>
 <p>5 → 826453</p>	 <p>6 → 1199249</p>	<p>3/4" X 2" X 4" ARTIC WHITE</p>  <p>7 → 1286947</p>	 <p>8 → 1340959</p>

KNOXVILLE HARDWARE (CONTINUED 1)

- 1 1781435 PLATE, CUP BRKT 2" LONG SCREW W/HDWR PKG
- 2 1683350 PULL, FLUSH HATCH SS T-HNDL
- 3 1742136 PULL, PUSH-BUTTON KNOB SAT/NCKL
- 4 1776837 PULL, ROSETTE SAT/NCKL RND 16MM (5/8")
- 5 826453 SHIM, DOOR STRIKER
- 6 1199249 SHIM, HDPE 260DA-99 CKPT AFT FOLDAWAY SEAT
- 7 1286947 STOP, HDPE 3/4" X 2" X 4" ENTRYWAY DOOR ARW
- 8 1340959 STOP, SLIDING DOOR/WINDOW CHR HVY DTY

BILGE



BILGE

1	1587104	BLOWER, BILGE 4" #240M W/O CONN	13	1846975	SENDING UNIT, FUEL SENDER ULTSONC GAS 14.5" (PART OF 1744946)	
2	791749	VENT, PLAS GRILL 4" WHT		1846977	SENDING UNIT, FUEL SENDER ULTSONC DSL 14.5" (PART OF 1744946)	
3	1480433	PUMP, FRESH WATER SHURFLO 2.8GPM IMP SOFT MNT		1849589	HARNESS, FUEL SENDING UNIT ULTSONC 15' (PART OF 1744946)	
4	1142496	HEATER, WATER 6 GAL 110/60 W/75-210T&P		1549682	TUBE, PICK-UP ASSY W/1/2" BARB 280DA-01 (PART OF 1744946)	
	1790450	ELEMENT, HEATER WTR 110/60 W/75-210 (PART OF 1142496)		1745012	SENDING UNIT, WEMA 13.5" SS W/SCRW & GASKET (PART OF 1744946)	
	1054766	VALVE, BRASS WATER HEATER TEMPERING 120-160DG		1323690	STRAP, FUEL 270SDA-00 30.75"	
	1156728	HEATER, WATER 6 GAL 220/50 W/75-210T&P (220 VOLT / 50 CYCLE ELECTRICAL SYSTEM)		14	124016	HOSE, VENT/BLOWER 4" EX HVY DTY (GAS ENGINES)
	1754598	HEATER, WATER ELEMENT FOR 6 GAL 220V (PART OF 1156728)		124024	HOSE, VENT/BLOWER 3" EX HVY DTY (DIESEL ENGINES)	
	1146877	VALVE, TEMPERING 75PSI/210DEG (PART OF 1142496 & 1156728)		15	598169	HALON CABLE, MANUAL PULL CABLE 18'
5	1239458	HOLDER, BATTERY GR27/31 BLK NYLON W/SS		1835946	FIRE EXT SYS, FE241 (SR) 150CF MAN/AUTO (HULL# 1230 -> UP)	
	1258979	BOOT, BATTERY CABLE 105C "T" BLK 4/0		609081	HALON SYS, MANUAL/AUTO 150CF (HULL# 1201 -> 1229)	
	650499	BOOT, BATTERY CABLE 4/0 RED 11/16"		1642263	FIRE EXT SYS, FM200 150CF GAS/DSL-MAN/AUTO (C E OPTION GROUP) (FIRE SUPPRESSION FM 200-CANADA & AUSTRALIA)	
	140509	BOOT, ENG STARTER RED		1799844	HALON SYS, INDICATOR LIGHT 12V GRN (C E OPTION GROUP) (FIRE SUPPRESSION FM 200-CANADA & AUSTRALIA)	
	650507	BOOT, BATTERY CABLE 4/0 BLK 11/16"		1148857	HALON SYS, ENG INTRUPT/RESTR 12V 5-CKT (D6-310DPH (298 PHP) VOLVO DIESEL STERN DR.)	
	130807	CABLE, BATT BLK #2/0AWG		16	634592	BRACKET, SS GAS CYL FLAT W/BALL STUD
	184051	CABLE, BATT RED #2/0AWG		17	1425370	CYLINDER, GAS SS 120PSI 20"EXT X 12"COMP
	360495	CONN, BATT LUG 2/0 POS W/NUT/BOLT		18	1873222	280DA 07,HATCH,ENG
	518738	CONN, BATT LUG 2/0GA NEG T-TYPE		19	1745513	LABEL, WARNING LEAKING FUEL
	1331339	CONN, RING 2GA X 1/4R BATT/CBL CLSD INT		20	1746895	LABEL, CHECK BATTERY CELL FLUID LEVEL
	793265	CONN, RING 2GA X 3/8R BATT/CBL COP PLTD CLSD (GENERATOR)		21	1745512	LABEL, STAY CLEAR OF MOVING PARTS ON ENGINE
	793281	CONN, RING 2GA X 5/16R .630 BARE ELONG CLSD (DIESEL GENERATOR)		22	1584739	HINGE, SS CONT 2.5"X 35" W/1/4"PIN SLOTTED
	360537	CONN, BATT LUG 2/0 NEG W/NUT/BOLT		23	770404	INSULATION, 2" ACOUSTICAL 4.5'X 6' ALUM
	793257	CONN, RING 2/0GA X 3/8R BATT/CBL COP PLTD CLS		24	634550	BRACKET, SS GAS CYL 90DEG L-BRKT W/BALL LONG
	793273	CONN, RING 2/0GA X 5/16R BATT/CBL COP PLTD CL		25	876961	BASE, LEG/POST FLUSH MT ALUM
	793299	CONN, RING 4GA X 1/4R BATT/CBL COP PLTD CLSD		26	1744737	LABEL, DISCHARGE OF OIL (LEXAN)
	793307	CONN, RING 4GA X 3/8R BATT/CBL COP PLTD CLSD		1745514	LABEL, PREVENT DISCHARGE OF POLLUTANTS (C E OPTION GROUP)	
	793364	CONN, RING 4GA X 5/16R BATT/CBL PLTD CLSD END		27	1683350	PULL, FLUSH HATCH SS T-HNDL
	793349	CONN, RING 4/0GA X 3/8R 1.15 BARE PLTD CLSD		28	1396142	MOLDING, FOAM RBR "D-SHAPE" 1.75" W/HAT ADH
	136044	CABLE, BATT BLK #4/0AWG (D6-310DPH (298 PHP) VOLVO DIESEL STERN DR.)		29	1684144	CONVERTER, 30AMP 120VAC/12VDC
	136051	CABLE, BATT RED #4/0AWG (D6-310DPH (298 PHP) VOLVO DIESEL STERN DR.)		1745132	CONVERTER, 20AMP 120/220 50/60HZ 12VDC REV 1 (220 VOLT / 50 CYCLE ELECTRICAL SYSTEM)	
	192385	CONN, BATT LUG 4/0GA NEG W/NUT/BOLT (D6-310DPH (298 PHP) VOLVO DIESEL STERN DR.)		30	795583	BUSS BAR, SGL POST 5/16"
	518720	CONN, BATT LUG 4/0GA NEG T-TYPE (D6-310DPH (298 PHP) VOLVO DIESEL STERN DR.)		31	822668	LIGHT, SGL DOME FLUSH MT PLAS WHT W/O SWITCH
	1258987	BOOT, BATTERY CABLE 105C "T" RED 4/0 (D6-310DPH (298 PHP) VOLVO DIESEL STERN DR.)		604801	BULB, DOME LIGHT 12V (REPLACEMENT BULB FOR 822668)	
	130781	CABLE, BATT RED #2AWG (GENERATOR)		32	1810623	MODULE, ELEC INTERFACE AFT S-CRUISER RV4
	130799	CABLE, BATT BLK #2AWG (GENERATOR)		33	1148121	BRKR, SURF MNT THERMAL 60AMP MANUAL RESET (WINDLASS - ROPE/CHAIN) (WINDLASS - CHAIN)
6	1791584	STRAINER, BRZ WATER INTAKE 3/4" W/NYLON STRAP (USED FOR A/C AND GENERATOR)		34	644609	SOLENOID, MAGNET LATCHING 12V 100A/500A W/HWD (WINDLASS - ROPE/CHAIN) (WINDLASS - CHAIN)
	1851357	BRACKET, STRAINER MNT UPR (PART OF 1791584)		651869	SOLENOID, MAGNET LATCHING LEAD ONLY (WINDLASS - ROPE/CHAIN) (WINDLASS - CHAIN)	
	1851358	BRACKET, STRAINER MNT LWR (PART OF 1791584)				
	1404854	PLUG, PLASTIC STRAINER DRAIN (PART OF 1791584)				
7	959809	TANK, WATER - 28GAL W/PICKUP TUBE				
	964387	TUBE, PICK-UP WATER 17" 1/2"DIA SCH 40 WHT (PART OF 959809)				
	1690502	STRAP, WATER TANK 280DA-02				
8	315507	INSULATION, VIBRACON 1"				
9	948265	A/C COMP, PUMP SEAWATER 115V (AIR CONDITIONING / HEATING-10000BTU-120V/60)				
	948349	A/C COMP, PUMP SEAWATER 230V (AIR CONDITIONING / HEATING-10000BTU-220V/50)				
10	1690247	PUMP, BILGE 1100GPH W/IMPELLOR HOUSING VANES				
	1801270	BRACKET, ALUM FLOAT SWITCH HI-WTR ATTWOOD (HULL# 1237 -> UP)				
	1441831	BRACKET, BILGE PUMP HI-WTR REV1 (HULL# 1201 -> 1236)				
11	1304856	TANK, HOLDING 28 GAL HTS W/FIL/SEND W/CONN				
	1738926	SENDING UNIT, HOLD TANK CAP FOR MRRP 1304856 (PART OF 1304856)				
	1684143	TANK, HOLDING 28 GAL W/T12PUMP/RELAY/90DEGELL (MACERATOR W/ SEACOCK INTERLOCK SYSTEM)				
	1789111	PUMP, HOLDING TANK REPLACEMENT (PART OF 1684143)				
	1798723	VACUUM GEN, HEAD SYS PMP/ACUM LOPRO 12V W/CON				
	1745156	LABEL, NOTICE OVERBOARD DISCHARGE (LEXAN)				
12	1851746	SWITCH, FLOAT ATTWOOD W/CVR/MERC CONN (HULL# 1237 -> UP)				
	1193671	SWITCH, FLOAT RULE W/CVR (HULL# 1201 -> 1236)				
13	1744946	TANK, FUEL 280DA-03 100GAL PLAS W/SS SENDER				

BRACKETS

836023	BRACKET, ALUM 1.5"X 1.5"X 1.5" 3/16"HOLES
952804	BRACKET, ALUM 2"X 1/8"X 5" 8@3/16"HOLES

HARNESSES

1486620	HARNESS, 280DA-01 GROUNDING (AIR CONDITIONING AND GENERATOR)
1505916	HARNESS, 280DA/290BR/SS-01 SNGL ENG IGN ESS
1507250	HARNESS, ENG MERC S-CRFT 1000-2RSL-30'
1798143	HARNESS, ENG MERC S-CRFT SC100 LINK EXT 6"
1792019	HARNESS, 280DA-05 BILGE W/S-CRFT RV1 (GAS - SINGLE ENGINE)
1589209	HARNESS, 280DA-01 BILGE VOLVO DSL REV1 (DIESEL - SINGLE ENGINE)
1792020	HARNESS, 280DA-05 BILGE T/E W/S-CRFT RV1 (GAS - TWIN ENGINE)
1839412	HARNESS, FUEL ADAPTER 3 PIN TO NW 6 PIN (HULL# 1225 -> UP) (GAS ENGINES)
1789965	HARNESS, MERCURY FUEL ADAPTER 6 PIN TO 3 (HULL# 1201 -> 1293) (496 MAG BR 3 (375 PHP) MCM STERN DRIVE)
1505908	HARNESS, 280DA/290BR/SS-01 TWIN ENG IGN ESS (GAS - TWIN ENGINE)
1507276	HARNESS, MERC DATA S-CRFT W/TERM 1000-1RSL-30 (GAS - TWIN ENGINE)

HARNESSES (continued)

1507292	HARNESSES, ENG SYSTEMS TACH/MONITOR (GAS - TWIN ENGINE)
1507300	HARNESSES, SYSTEM SPEED (GAS - TWIN ENGINE)
1727448	HARNESSES, MERC DATA S-CRFT W/TERM 1000-1RSL-25 (GAS - TWIN ENGINE)
1753564	HARNESSES, MERC CAN LINK (GAS - TWIN ENGINE)
1793838	HARNESSES, MERC DUAL ENGINE INST ADP (GAS - TWIN ENGINE)

HEAT SHRINK

1429174	HEAT SHRINK, TUBING BLK 3/4"X 4'
1429182	HEAT SHRINK, TUBING RED 3/4"X 4'
1429265	HEAT SHRINK, TUBING BLK 1/4"X 4'

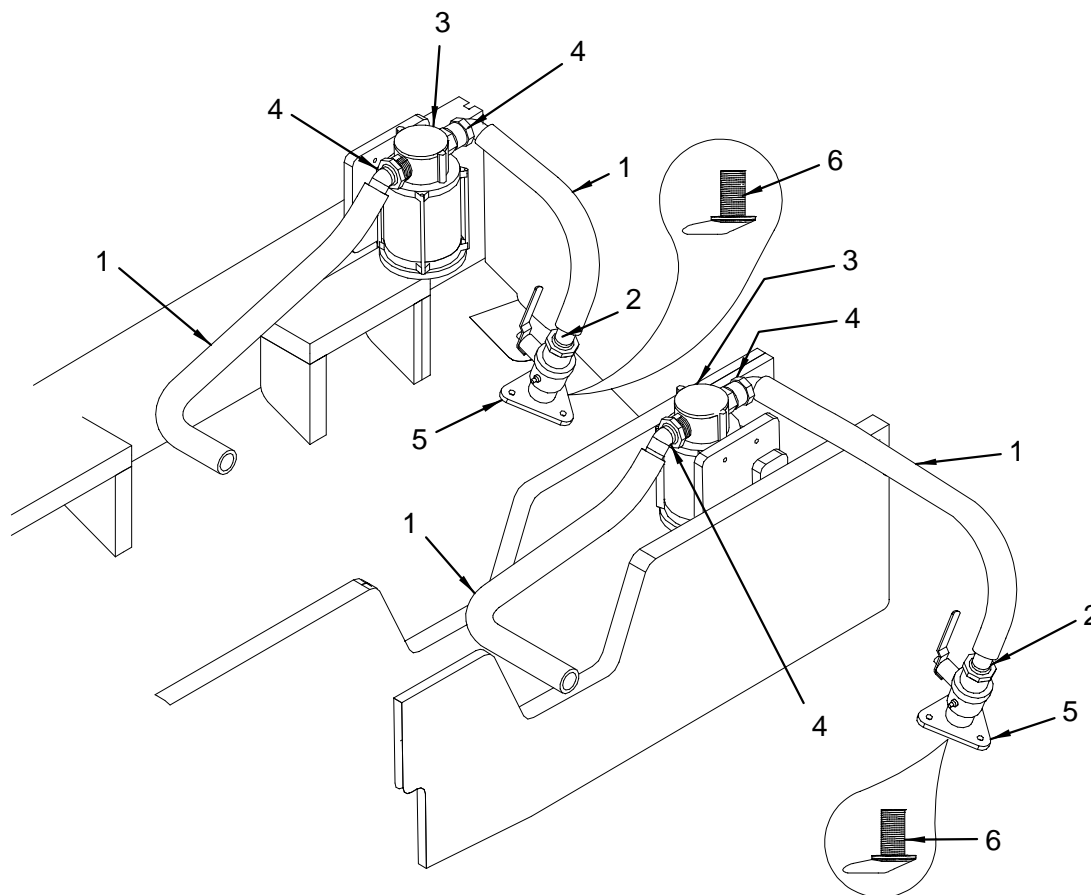
HOSES

1501782	HOSE, CONDUIT/SPLIT 1/2" FLAME RETARDANT
1501824	HOSE, CONDUIT/SPLIT 3/4" FLAME RETARDANT
1501832	HOSE, CONDUIT/SPLIT 3/8" FLAME RETARDANT
1501840	HOSE, CONDUIT/SPLIT 1" FLAME RETARDANT
1501865	HOSE, CONDUIT/SPLIT 1.25" FLAME RETARDANT

NOT SHOWN

156885	CONN, NON-MET BOAT CABLE 0.30 TO 0.60 DIA
723767	SNAP CAP, PRESS-ON CVR #2 PHILLIP WHT
123612	CLAMP, LOOM VINYL DIP 11/16"
144899	BOX, PVC SWITCH BOX
1690371	ACC PART, MERC S-CRFT TRNS W/19' NYL DEP/TEMP
1736148	PITOT, S-CRFT SPEEDO KIT BIG BLOCK
173617	TAPE, DUCT MYLAR 2"
726273	HOOK, RINGHLDR W/SNAP STRAP WHT (CE OPTION GROUP)
604959	PUMP, BILGE 16GPM MANUAL THRU DECK MNT (CE OPTION GROUP)
801563	PUMP, BILGE MANUAL PICKUP/STRAINER (CE OPTION GROUP)
1690833	SOLENOID, EMERG START 12V 100AMP (GAS - TWIN ENGINE)
1727800	PITOT, S-CRFT SPEEDO KIT SML BLOCK (GAS - TWIN ENGINE)
1583046	ACC PART, MERC EXHAUST INT ELBOW KIT (496 MAG BR 3 (375 PHP) MCM STERN DRIVE)
1583384	ACC PART, MERC EXHAUST PIPE (Y PIPE) (496 MAG BR 3 (375 PHP) MCM STERN DRIVE)
587808	ACC PART, MERCATHODE (MERCATHODE II (2) TWINS)

BILGE (ENGINE SET-UP/WATER INTAKE)



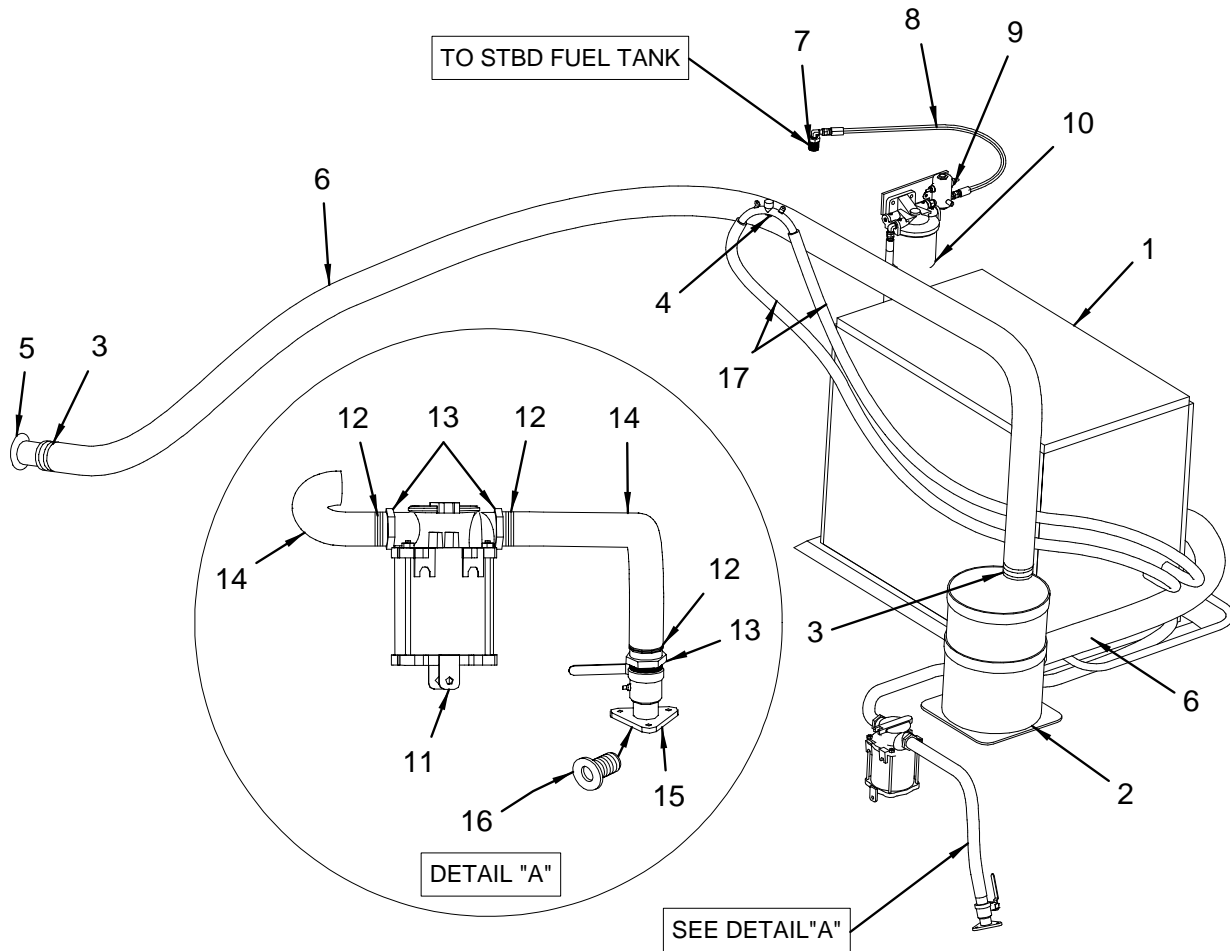
BILGE (ENGINE SET-UP/WATER INTAKE)

- 1 124206 HOSE, WATER INTAKE 1.25" HW
(FRESHWATER COOLING-TWIN S/D 4.3L OR 5.0L)
- 256693 CLAMP, HOSE #24 1"-2" SS .505
(FRESHWATER COOLING-TWIN S/D 4.3L OR 5.0L)
- 2 586917 ELBOW, BRZ 45DEG 1.25"MPT X 1.25"BARB
(FRESHWATER COOLING-TWIN S/D 4.3L OR 5.0L)
- 3 158063 STRAINER, BRZ WATER INTAKE 1.25"
(FRESHWATER COOLING-TWIN S/D 4.3L OR 5.0L)
- 1884113 BRACKET, STRAINER MNT LWR BRZ
(PART OF 158063)
- 1884114 CLAMP, SS STRAINER (STRAP)
(PART OF 158063)
- 4 144691 ELBOW, BRZ 90DEG 1.25"MPT X 1.25"BARB (PERKO)
(FRESHWATER COOLING-TWIN S/D 4.3L OR 5.0L)
- 5 518449 SEACOCK, BRZ 1.25" W/O TAILPIECE
(FRESHWATER COOLING-TWIN S/D 4.3L OR 5.0L)
- 6 531590 PICK-UP, BRZ WATER INTAKE 1.25"
(FRESHWATER COOLING-TWIN S/D 4.3L OR 5.0L)

NOT SHOWN

- 141713 ADAPTER, BRASS 3/8"MPT X 5/8"BARB
(FRESHWATER COOLING-TWIN S/D 4.3L OR 5.0L)

BILGE (GENERATOR SET-UP)



BILGE (GENERATOR SET-UP)

- 1 1803671 GENERATOR, 5ECD GAS KOHLER 120V/60 SCRFT
(GENERATOR 5.0 ECD KOHLER - GAS - 120V/60HZ)
- 1833211 GENERATOR, 4EFCO GAS KOHLER 220V/50 SCRFT
(GENERATOR 4.0 EFCO KOHLER - GAS - 220V/50HZ)
- 1727348 GENERATOR, 5.0 KW DSL KOHLER 120V/60
(GENERATOR 4.0 EKO KOHLER - DIESEL - 120V/60)
(GENERATOR 3.5 EFOZ KOHLER - DIESEL - 220V/50)
- 2 1784602 MUFFLER, 2"IN X 2"OUT 9"X 9" BASE
- 160374 MUFFLER, DRAIN PLUG
(PART OF 1784602)
- 3 417717 CLAMP, HOSE #36 7/8"-2.75" SS .505
- 1684388 CAP, PROTECT CLAMP RBR .045"X.465-1/2"BLK
- 4 526087 SYPHON BREAK KIT, GEN EXH KOHLER
- 5 1769255 THRU-HULL, SS EXHAUST 2" W/SS LIP
- 1835350 THRU-HULL, FLAP ONLY SS EXH 2" X-LONG
(PART OF 1769255)
- 6 913053 HOSE, EXHAUST 2" CORR HW
- 7 791392 BUSHING, SS THD 1/4"FPT X 3/8"MPT
(GENERATOR 4.0 EKO KOHLER - DIESEL - 120V/60)
(GENERATOR 3.5 EFOZ KOHLER - DIESEL - 220V/50)
- 629253 ELBOW, BRASS 90DEG 1/4"SAE X 1/4"MPT
- 1887693 FERRULE, FUEL LINE 1/4" .575"ID X .625"OD
(HULL# 1381 -> UP)
- 965954 FERRULE, FUEL LINE 1/4"ISO/CE .650"ID
(HULL# 1201 -> 1380)
- 1887750 FITTING, BRASS BARB/NUT 1/4" FEMALE SAE
(HULL 1381 -> UP)
- 629279 FITTING, BRASS 1/4"BARB/NUT
(HULL 1201 -> 1380)
- 8 1884010 HOSE, FUEL 1/4" TYPE A CLASS 1-15 ISO/CE/CARB
(HULL# 1381 -> UP)
- 340901 HOSE, FUEL 1/4" TYPE A CLASS 1 ISO/CE
(HULL# 1201 -> 1380)
- 9 1791155 VALVE, BRASS FUEL SHUT-OFF 12V SER7000 10W
(GAS GENERATOR)
- 140046 VALVE, FUEL SHUT OFF DSL 1/4"
(DIESEL GENERATOR)
- 10 148171 FILTER, FUEL/WATER SEPARATOR KIT
(GAS GENERATOR)
- 1524065 FILTER, REMOTE FUEL DSL (500MASR)
(DIESEL GENERATOR)
- 11 1791584 STRAINER, BRZ WATER INTAKE 3/4" W/NYLON STRAP
- 1851357 BRACKET, STRAINER MNT UPR
(PART OF 1791584)
- 1851358 BRACKET, STRAINER MNT LWR
(PART OF 1791584)
- 1404854 PLUG, PLASTIC STRAINER DRAIN
(PART OF 1791584)
- 12 256677 CLAMP, HOSE #12 1/2"-1.25" SS .505
- 1684388 CAP, PROTECT CLAMP RBR .045"X.465-1/2"BLK
- 13 531426 ADAPTER, BRZ 3/4"MPT X 3/4"BARB
- 14 123810 HOSE, GEN PURPOSE 3/4"
- 15 518431 SEACOCK, BRZ 3/4" W/O TAILPIECE
- 16 640300 THRU-HULL, BRZ 3/4" W/O NUT
- 17 124594 HOSE, WATER 5/8" HVY DTY (HEATER)

HARNESSES

- 1833276 HARNESSES, 280DA-06 KOHLER GEN GAS ECD
(GAS GENERATOR)
- 1833277 HARNESSES, 280DA-06 KOHLER GEN DSL
(DIESEL GENERATOR)

LABELS

- 1743616 LABEL, UNPLUG SHORE POWER WARNING
(DIESEL GENERATOR)

NOT SHOWN

- 123398 CLAMP, HOSE #06M 5/16"-7/8" SS MINI
- 162750 ADAPTER, BRASS 1/4"MPT X 1/4"SAE
- 315507 INSULATION, VIBRACON 1"
- 169193 ELBOW, BRZ 90DEG 3/4"MPT X 3/4"BARB
- 123604 CLAMP, LOOM VINYL DIP 2.5"
(DIESEL GENERATOR)
- 123612 CLAMP, LOOM VINYL DIP 11/16"
(DIESEL GENERATOR)
- 1497452 TAPE, FOAM NEOPRENE W/3M 9828 3/8"TH X 2"W
(DIESEL GENERATOR)
- 570135 NIPPLE, BRASS 1/4"MPT X 1/4"MPT
(DIESEL GENERATOR)
- 1734756 BRKR, CIRC KOHLER GAS GEN 18A/50HZ KIT
(HULL# 1235 -> 1237)
(220V GENERATOR)
- 1810627 MODULE, ELEC INTERFACE SWITCHING SYS 06
(GAS GENERATOR)

NOT SHOWN (continued)

- 321158 EXHAUST, EL 2"X 90DEG W/2-4"& 1-2.5" LEGS
- 913053 HOSE, EXHAUST 2" CORR HW
- 140467 ELBOW, BRASS 90DEG 3/8"SAE X 1/4"MPT
(DIESEL GENERATOR)
- 140475 ELBOW, BRASS 90DEG 3/8"SAE X 1/8"MPT
(DIESEL GENERATOR)
- 140483 ADAPTER, BRASS 1/4"MPT X 3/8"SAE
(DIESEL GENERATOR)
- 1718687 EXHAUST, EL 2"X 90DEG RBR W/T-BOLT CLAMPS
(GAS GENERATOR)

AIR CONDITIONING SYSTEM

- 1 531574 PICK-UP, BRZ WATER INTAKE 3/4"
- 2 518431 SEACOCK, BRZ 3/4" W/O TAILPIECE
- 3 169193 ELBOW, BRZ 90DEG 3/4"MPT X 3/4"BARB
- 4 256677 CLAMP, HOSE #12 1/2"-1.25" SS .505
- 5 123810 HOSE, GEN PURPOSE 3/4"
- 6 1791584 STRAINER, BRZ WATER INTAKE 3/4" W/NYLON STRAP
- 1851357 BRACKET, STRAINER MNT UPR
(PART OF 1791584)
- 1851358 BRACKET, STRAINER MNT LWR
(PART OF 1791584)
- 1404854 PLUG, PLASTIC STRAINER DRAIN
(PART OF 1791584)
- 7 531426 ADAPTER, BRZ 3/4"MPT X 3/4"BARB
- 8 948265 A/C COMP, PUMP SEAWATER 115V
(AIR CONDITIONING / HEATING-10000BTU-120V/60)
- 948349 A/C COMP, PUMP SEAWATER 230V
(AIR CONDITIONING / HEATING-10000BTU-220V/50)
- 9 948273 A/C COMP, HOSE FITTINGS FOR PMP500
- 10 1058957 HOSE, WATER A/C WHT 5/8"
- 11 720177 HOSE, AC/DUCT 4"
- 12 1581966 A/C COMP, GRILL 4" RND W/O DA BLK
- 13 263954 CLAMP, HOSE #10 1/2"-1 1/8" SS .505
- 14 957092 A/C COMP, HOSE RING 5" OBLONG
- 15 720185 HOSE, AC/DUCT 5"
- 16 1517903 A/C COMP, PLENUM 4X5X3"W/4.5"X 5.5"X 5.5"SIDES
- 17 1778933 THRU-HULL, SS 5/8"BARB SHORT W/RBR GASKET
- 18 948968 A/C COMP, HOSE RING 3" PLAS ROUND
- 19 720169 HOSE, AC/DUCT 3"
- 20 1759845 A/C COMP, COMPACT 10K SXF10-1 115V 50/60HZ
(AIR CONDITIONING / HEATING-10000BTU-120V/60)
- 1769422 A/C COMP, COMPACT 10K SMXII 220V 50HZ GG
(AIR CONDITIONING / HEATING-10000BTU-220V/50)
- 1165091 A/C COMP, DEFUSER 14X7 CLW W/FILTER
- 1604263 A/C COMP, CABLE INTERCONNECT 15'
- 1604271 A/C COMP, DISPLAY ECU BLK W/3/4" DOOR
- 1055821 A/C COMP, FACE PLATE FOR CONTROL BLK
(PART OF 1604271)
- 21 1849858 SHOWER, SUMP ASSY 12V 800GPH W/MERC FREE SW
(HULL# 1242 -> UP)
- 1683218 SHOWER, SUMP ASSY 12V W/800 PUMP/CHCK VLV MOD
(HULL# 1201 -> 1241)
- 22 123877 HOSE, CORR SAN/WATER-FILL 3/4"
- 23 1778929 THRU-HULL, SS 3/4"BARB SHORT W/RBR GASKET
- 24 263954 CLAMP, HOSE #10 1/2"-1 1/8" SS .505
- 25 1745160 LABEL, 1/2"X 1.5" SHWR DRAIN
- 26 1745517 LABEL, 1/2"X 1.5" DISCHARGE

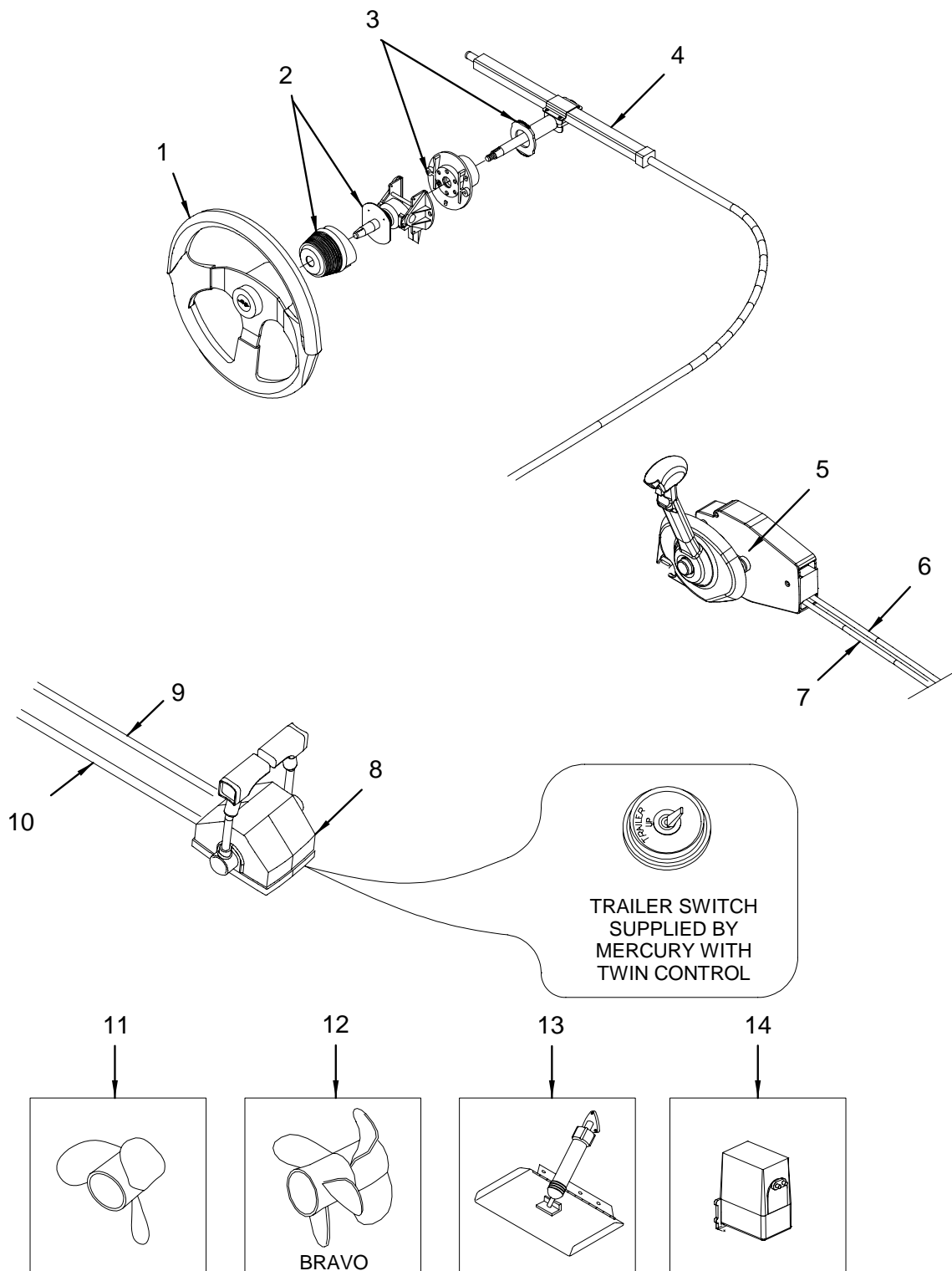
LABELS

- 1751884 LABEL, 1/2"X 1.5" A/C CONDENSATE

NOT SHOWN

- 1376474 CONN, NYLON 1/2" FLAT CORD GRIP WATERPROOF
- 1478841 CONN, NYLON 1/2" ROUND SKIN TOP WATERPROOF
- 147397 COVER PLATE, CARLON BOX SGL
- 522813 BOX, RECEPTACLE PVC SURFACE MOUNT CARLON

STEERING SYSTEM

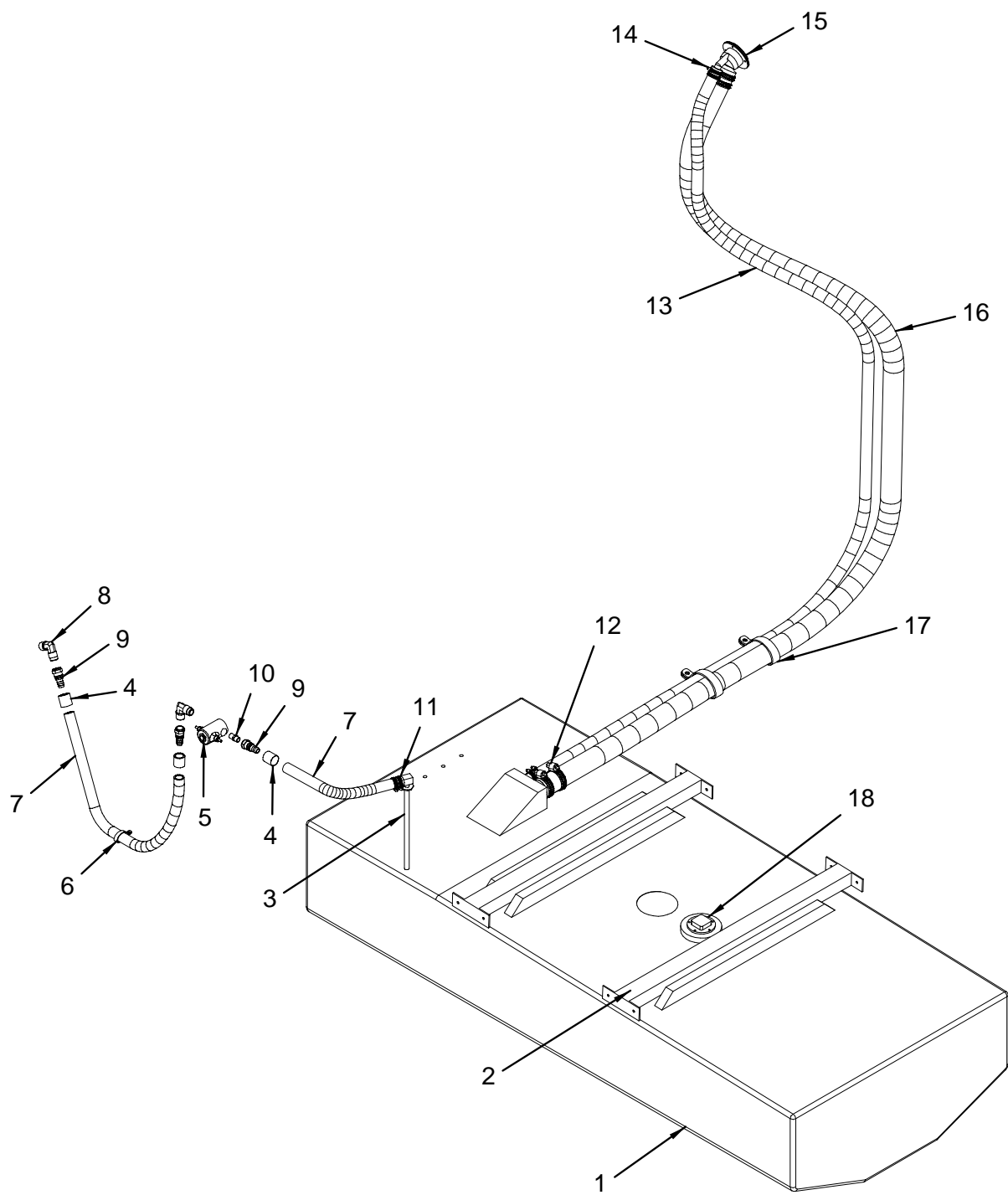


STEERING SYSTEM

NOT SHOWN

1	1526292	STEERING WHEEL, 14.25" SPCRUIS MAHOG W/BLK	142083	TIE BAR, MERC V-8 TYPE 30"-46"
	1792417	PAD, STEER WHL CTR FOR #1526292		(TWIN ENGINES)
	1683795	STEERING WHEEL, RING FOR 1526292/1738115		
	1747682	EMBLEM, S/R EMB SCRIPT WHEEL CHR-BEZEL 1.75"		
2	662510	STEERING, PERFORMANCE TILT MECHANISM		
	958439	STEERING, BELLOWS TILT STEERING BLK (PART OF 662510)		
	126987	STEERING, MOUNT 90 DEG BEZEL ONLY (PART OF 662510)		
3	1092246	STEERING, TILT HELM BACK-MNT		
4	1091867	STEERING, BACK MNT RACK/CABLE 17.0' ASSY (GAS OR DIESEL - SINGLE ENGINE)		
	1091941	STEERING, BACK MNT RACK/CABLE 16.5' ASSY (TWIN ENGINES)		
5	1757821	CONTROL, CNLS MNT SGL 4000 GEN II (GAS - SINGLE ENGINE)		
6	1753102	CABLE, CONTROL MERC GEN II PLAT 18' (HULL# 1333 -> UP) (GAS - SINGLE ENGINE)		
	1757753	CABLE, CONTROL MERC GEN II STD 16 LAY 18'BULK (HULL# 1201 -> 1332) (GAS - SINGLE ENGINE)		
	1881782	CABLE, CONTROL MERC SAE/SAE ENG END PLAT 10' (HULL# 1333 -> UP) (DIESEL - SINGLE ENGINE)		
	1335900	CABLE, CONTROL TELEFLEX TFXXTREME 10' (HULL# 1201 -> 1332) (DIESEL - SINGLE ENGINE)		
7	1880534	CABLE, CNTRL MERC GEN II PLAT 19' (HULL# 1333 -> UP) (GAS - SINGLE ENGINE)		
	1757754	CABLE, CONTROL MERC GEN II STD 16 LAY 19' (HULL# 1201 -> 1332) (GAS - SINGLE ENGINE)		
8	278184	CONTROL, THRTL/SHFT DUAL I/O (TWIN ENGINES) (ORDER TRAILER SWITCH FROM MERCURY THAT IS SUPPLIED WITH 278184)		
9	1028059	CABLE, CONTROL TELEFLEX 19' 600A/MERC SERIES (HULL# 1201 -> 1332) (HULL# 1368 -> UP) (TWIN ENGINES)		
	1747190	CABLE, CONTROL MERC PLATINUM 19' (HULL# 1333 -> 1368) (TWIN ENGINES)		
	974089	CABLE, CONTROL TELEFLEX 16' 600A/MERC SERIES (HULL# 1201 -> 1332) (HULL# 1368 -> UP) (TWIN ENGINES)		
	1690087	CABLE, CONTROL MERC PLATINUM 16' (HULL# 1333 -> 1368) (TWIN ENGINES)		
10	1028042	CABLE, CONTROL TELEFLEX 18' 600A/MERC SERIES (HULL# 1201 -> 1332) (HULL# 1368 -> UP) (TWIN ENGINES)		
	1883340	CABLE, CNTRL MERC GEN 1/MERC ENG PLAT 18' (HULL# 1333 -> 1368) (TWIN ENGINES)		
	974071	CABLE, CONTROL TELEFLEX 15' 600A/MERC SERIES (HULL# 1201 -> 1332) (HULL# 1368 -> UP) (TWIN ENGINES)		
	1881783	CABLE, CONTROL MERC GEN I ENG END PLAT 15' (HULL# 1333 -> 1368) (TWIN ENGINES)		
11	1096833	PROP, 14.5"X 17" VENGEANCE LH (T-4.3L MPI ALPHA (T-220 PHP) MCM STERN DR)		
	654319	PROP, 14.5"X 17" VENGEANCE RH (T-4.3L MPI ALPHA (T-220 PHP) MCM STERN DR)		
	1804370	PROP, DUAL VOLVO BRZ (G-5) (D6-310DPH (298 PHP) VOLVO DIESEL STERN DR.)		
12	1360239	PROP, 15.75"X 22" CUP BR3 LH (496 MAG BR 3 (375 PHP) MCM STERN DRIVE)		
	1360247	PROP, 14.25"X 22" CUP BR3 RH (496 MAG BR 3 (375 PHP) MCM STERN DRIVE)		
	708198	PROP, 15.5"X 24" SS BR3 LH (T-4.3L MPI BR 3 (T-220 PHP) MCM STERN DR) (T-5.0L MPI BR 3 (T-260 PHP) MCM STERN DR)		
	708206	PROP, 14.25"X 24" SS BR3 RH (T-4.3L MPI BR 3 (T-220 PHP) MCM STERN DR) (T-5.0L MPI BR 3 (T-260 PHP) MCM STERN DR)		
13	1574342	TRIM TAB, ASSY 14X14 SPECIAL W/O PUMP		
14	1110071	TRIM TAB, HYD PUMP KIT W/10'HOSE/3" NIPPLE		
	841825	SHIM, PVC TRIM TAB PUMP BLK		

FUEL SYSTEM



FUEL SYSTEM

- 1 1744946 TANK, FUEL 280DA-03 100GAL PLAS W/SS SENDER
- 1849589 HARNESS, FUEL SNDNG UNIT ULTSONC 15'
- 2 1323690 STRAP, FUEL 270SDA-00 30.75"
- 3 1549682 TUBE, PICK-UP ASSY W/1/2" BARB 280DA-01
(PART OF 1744946)
- 1433895 TANK, FUEL HDWR 1/2" SS SCREEN
- 1098250 TUBE, P/U FUEL-SPECIFY TANK (FOR#1076223)
- 4 1887695 FERRULE, FUEL LINE 1/2" .850"ID X .90"OD
(HULL# 1379 -> UP)
- 170621 FERRULE, FUEL LINE 1/2"ISO/CE .925"ID
(HULL# 1201 -> 1378)
- 5 1791155 VALVE, BRASS FUEL SHUT-OFF 12V SER7000 10W
(GAS ENGINES)
- 140046 VALVE, FUEL SHUT OFF DSL 1/4"
(DIESEL ENGINE)
- 6 123661 CLAMP, LOOM VINYL DIP 1"
- 7 1884012 HOSE, FUEL 1/2" TYPE A CLASS 1-15 ISO/CE/CARB
(HULL# 1379 -> UP)
- 123786 HOSE, FUEL 1/2" TYPE A CLASS 1 ISO/CE
(HULL# 1201 -> 1378)
- 8 168955 ELBOW, BRASS 90DEG 1/4"MPT X 1/2"SAE
- 9 1887748 FITTING, BRASS BARB/NUT 1/2" FEMALE SAE
(HULL# 1379 -> UP)
- 170605 FITTING, BRASS 1/2"BARB/NUT
(HULL# 1201 -> 1378)
- 10 169920 ADAPTER, BRASS 1/4"MPT X 1/2"SAE
- 11 263954 CLAMP, HOSE #10 1/2"-1 1/8" SS .505
- 12 256693 CLAMP, HOSE #24 1"-2" SS .505
- 13 123778 HOSE, FUEL 5/8" TYPE A CLASS 1 ISO/CE
- 14 123448 CLAMP, HOSE #08M 1/2"-1" SS MINI
- 15 1109354 DECK PLATE, GAS CHR W/VENT 45DG NCK RED CODE
(GAS ENGINES)
- 1068592 KEY, DECK PLATE CAP
(GAS ENGINES)
- 1213867 DECK PLATE, CAP W/CHAIN GAS (FOR #1109354)
(GAS ENGINES)
- 1194505 DECK PLATE, DSL CHR W/VENT 45DG NCK GRN CODE
(DIESEL ENGINE)
- 1098615 DECK PLATE, GAS CHR W/VENT (SHIM ONLY)
(GAS & DIESEL ENGINES)
- 16 123745 HOSE, FUEL 1.5" TYPE A CLASS 2
- 17 123604 CLAMP, LOOM VINYL DIP 2.5"
- 18 1745012 SENDING UNIT, WEMA 13.5" SS W/SCRW & GASKET
(PART OF 1744946)
- 1849589 HARNESS, FUEL SNDNG UNIT ULTSONC 15'
(PART OF 1744946)
- 1846975 SENDING UNIT, FUEL SENDER ULTSONC GAS 14.5"
(SERVICE REPLACEMENT ONLY)
- 1846977 SENDING UNIT, FUEL SENDER ULTSONC DSL 14.5"
(SERVICE REPLACEMENT ONLY)

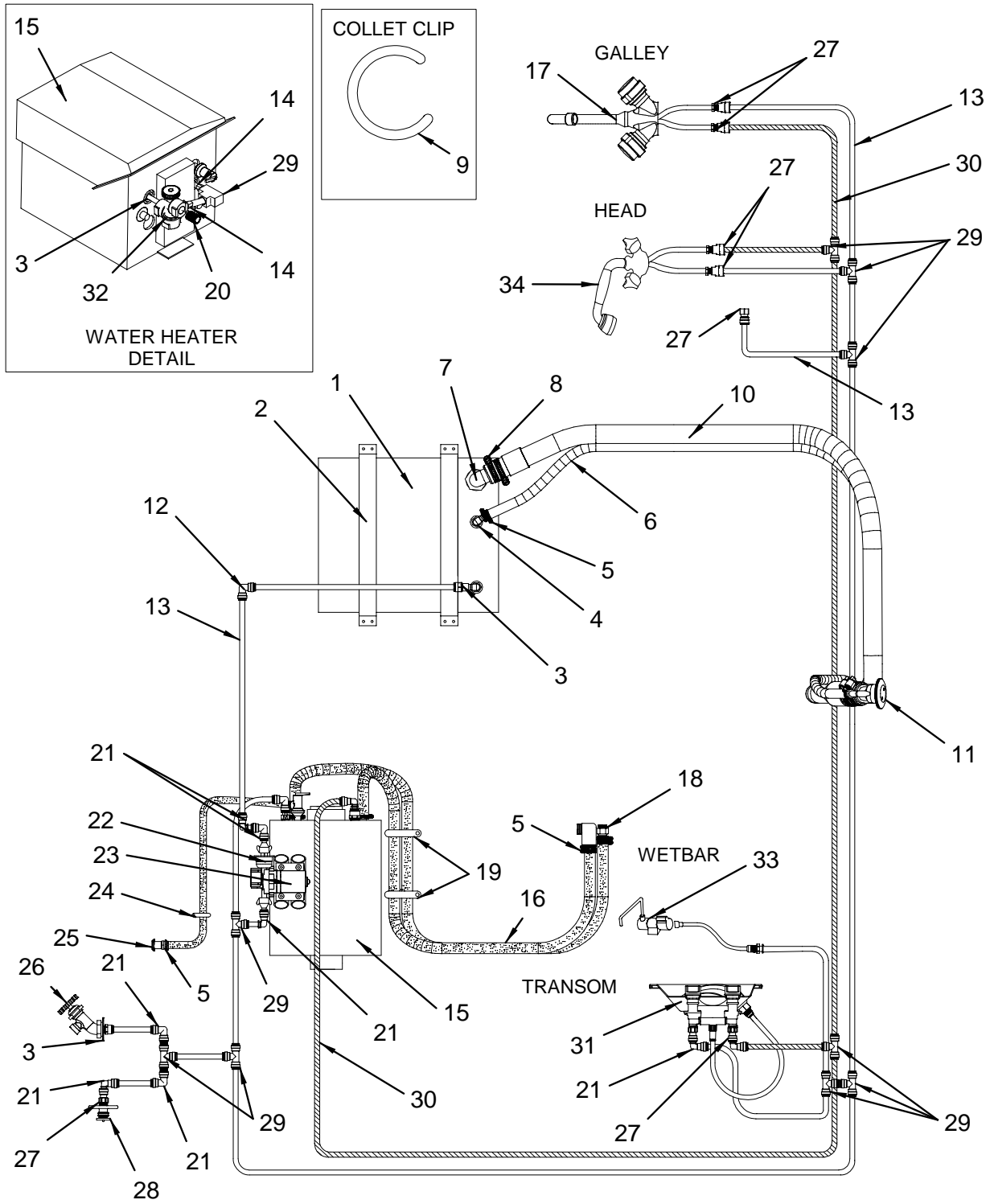
LABELS

- 1745158 LABEL, FUEL RECOMMENDATION/LP GAS WARNING
(HULL# 1389 -> UP)
- 1745157 LABEL, FUEL RECOMMENDATION
(HULL# 1201 -> 1388)

NOT SHOWN

- 123695 CLAMP, LOOM VINYL DIP #12 3/4"
- 1497452 TAPE, FOAM NEOPRENE W/3M 9828 3/8"TH X 2"W
- 256701 CLAMP, HOSE #28 1 5/16"-2.25" SS .505
- 169748 ELBOW, BRASS 90DEG 1/2"SAE X 3/8"MPT
- 1214188 ADAPTER, BRASS 3/8"MPT X 1/2"BARB
(DIESEL ENGINE)

WATER SYSTEM



WATER SYSTEM

1	959809	TANK, WATER - 28GAL W/PICKUP TUBE	34	1853914	FAUCET/SHOWER, HOSE WASHER ONLY (PART OF 1772520)
	964387	TUBE, PICK-UP WATER 17" 1/2"DIA SCH 40 WHT (PART OF 959809)		1853915	FAUCET/SHOWER, HANGER ONLY (PART OF 1772520)
2	1690502	STRAP, WATER TANK 280DA-02		1853916	FAUCET/SHOWER, BRASS HOT/COLD VALVE ONLY (PART OF 1772520)
	1497460	TAPE, FOAM NEOPRENE W/3M 9828 1/4"TH X 2"W		1853917	FAUCET/SHOWER, HDWR KIT WWTS (PART OF 1772520)
3	168898	NIPPLE, BRASS 1/2"MPT X 3.5"			
4	167874	ELBOW, GENOVA 1/2"MPT X 1/2"BARB X 90DEG			
5	123448	CLAMP, HOSE #08M 1/2"-1" SS MINI			
6	124719	HOSE, SANI/CHEMICAL TDX 5/8"			
7	814830	ELBOW, PVC 1.5"MPT X 1.5"BARB X 90DEG MACHINE			
8	256693	CLAMP, HOSE #24 1"-2" SS .505			
9	1215235	CLIP, SEATECH COLLET 15MM			
10	490219	HOSE, CORR SAN/WATER-FILL 1.5" RH			
11	1109362	DECK PLATE, WATER CHR W/WNT 45DG NCK BLUE			
	1405844	DECK PLATE, CAP W/CHAIN WATER (PART OF 1109362)			
	1068592	KEY, DECK PLATE CAP (PART OF 1109362)			
12	1789703	ELBOW, ZURN 1/2" BARB			
13	1789735	TUBING, ZURN 1/2" X 1000' BLUE			
14	1791673	VALVE, ZURN 1/2" MPT X 1/2" MPT CHECKVALVE			
15	1142496	HEATER, WATER 6 GAL 110/60 W/75-210T&P			
	1790450	ELEMENT, HEATER WTR 110/60 W/75-210 (PART OF 1142496)			
	1156728	HEATER, WATER 6 GAL 220/50 W/75-210T&P (220 VOLT / 50 CYCLE ELECTRICAL SYSTEM)			
	1754598	HEATER, WATER ELEMENT FOR 6 GAL 220V (PART OF 1156728)			
	1146877	VALVE, TEMPERING 75PSI/210DEG (PART OF 1142496 & 1156728)			
16	124594	HOSE, WATER 5/8" HVY DTY (HEATER)			
17	1772522	FAUCET, GLY 7"RISE BRUSHED NCKL/CHR			
	1807537	FAUCET, GLY 7"RISE HANDLE CAP BRSHD NCKL/CHR (PART OF 1772522)			
	1807538	FAUCET, GLY 7"RISE HNDL SCREW BRSHD NCKL/CHR (PART OF 1772522)			
	1807539	FAUCET, GLY 7"RISE HNDL WASHER BRSHD NCKL/CHR (PART OF 1772522)			
	1807540	FAUCET, GLY 7"RISE HNDL RING BRSHD NCKL/CHR (PART OF 1772522)			
	1807541	FAUCET, GLY 7"RISE HANDLE BRSHD NCKL/CHR (PART OF 1772522)			
	1807542	FAUCET, GLY 7"RISE VALVE BRSHD NCKL/CHR (PART OF 1772522)			
	1807543	FAUCET, GLY 7"RISE SPOUT BRSHD NCKL/CHR (PART OF 1772522)			
	1807544	FAUCET, GLY 7"RISE AERATOR BRSHD NCKL/CHR (PART OF 1772522)			
	1807545	FAUCET, GLY 7"RISE MOUNTING BRSHD NCKL/CHR (PART OF 1772522)			
18	144675	ADAPTER, BRASS 1/2"MPT X 5/8"BARB			
19	123604	CLAMP, LOOM VINYL DIP 2.5"			
20	1789754	ADAPTER, ZURN 1/2" MALE			
21	1789708	ELBOW, ZURN 1/2" SWIVEL			
22	1797944	FILTER, IN-LINE WATER 1/2"MPSM X 1/2"NPSF			
23	1480433	PUMP, FRESH WATER SHURFLO 2.8GPM IMP SOFT MNT			
24	123661	CLAMP, LOOM VINYL DIP 1"			
25	1778933	THRU-HULL, SS 5/8"BARB SHORT W/RBR GASKET			
26	1096262	FAUCET, SILLCOCK WASHDOWN (WHITECAP)			
27	1789686	ADAPTER, ZURN STRAIGHT 1/2" SWIVEL			
28	141168	INLET, WATER W/PRESS REGULATOR WHT			
29	1789706	TEE, ZURN 1/2" BARB			
30	1789751	TUBING, ZURN 1/2" X 1000' RED			
31	736702	FAUCET, WASHDOWN BOX W/MIXER (AQUATIK) VERT			
	1298710	FAUCET, CARTRIDGE CERAMIC 90DEG LH (PART OF 736702)			
	1302504	FAUCET, CARTRIDGE CERAMIC 90DEG RH (PART OF 736702)			
	1302579	FAUCET, WASHDOWN SHOWER UNIT ONLY (AQUATIK) (PART OF 736702)			
	1302587	FAUCET, WASHDOWN DOOR ONLY (AQUATIK) (PART OF 736702)			
	1302595	FAUCET, WASHDOWN HOSE W/FPT ONLY (AQUATIK) (PART OF 736702)			
	1302603	FAUCET, WASHDOWN SPRAYER HEAD ONLY (AQUATIK) (PART OF 736702)			
	1742646	LATCH, WASHDOWN DOOR (AQUATIK) (PART OF 736702)			
	1848792	FAUCET, WASHDOWN RUBBER SHOWERHEAD HLDR (PART OF 736702)			
32	1054766	VALVE, BRASS WATER HEATER TEMPERING 120-160DG			
33	1775010	FAUCET, FOLD DOWN SGL TAP CHR			
34	1772520	FAUCET/SHOWER, BRUSHED NCKL/CHR PULLOUT			
	1853913	FAUCET/SHOWER, SPRAYER ONLY BRSHD NCKL/CHR (PART OF 1772520)			

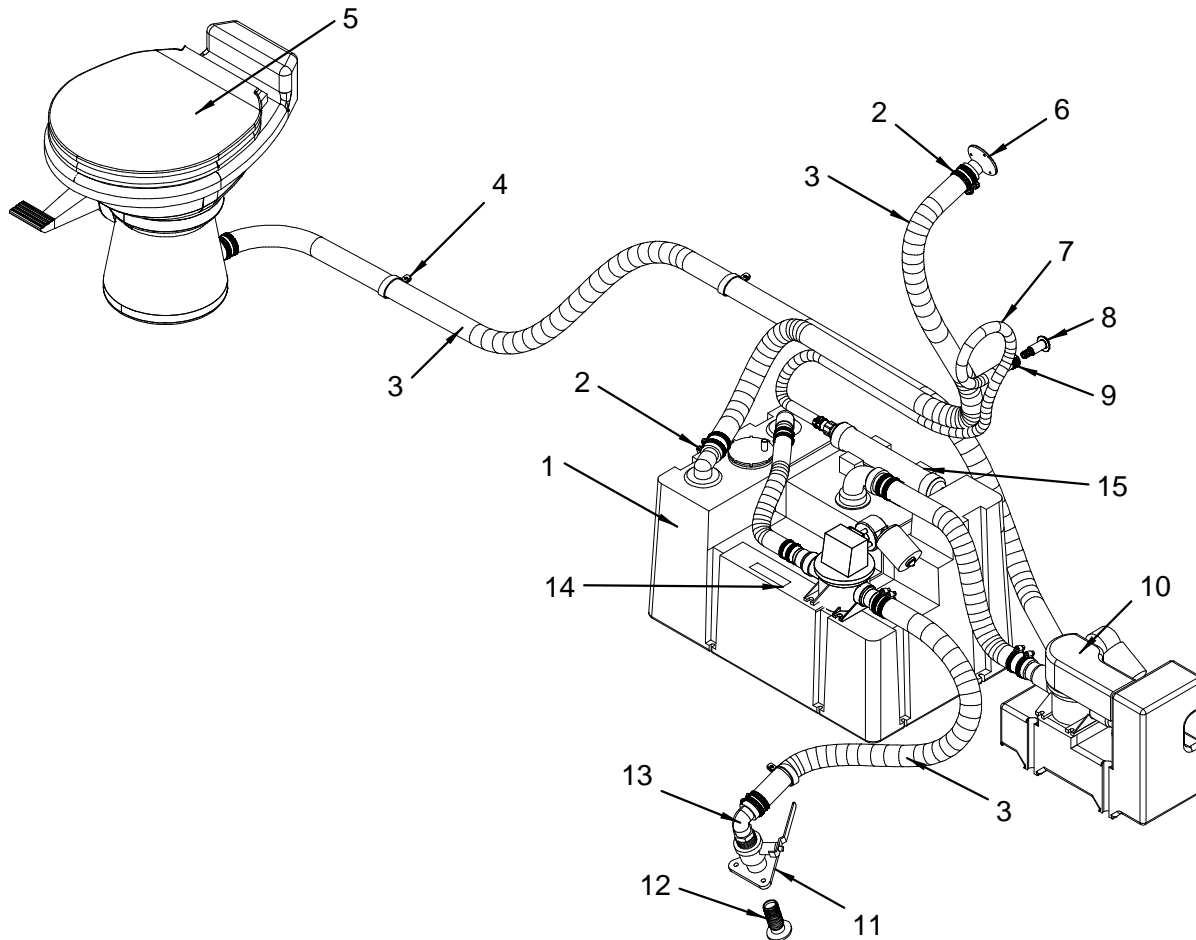
LABELS

1743534	LABEL, FRESH WATER (LEXAN)
1809840	LABEL, MANIFOLD HOT/COLD ZURN 64QKIPSP

NOT SHOWN

1789718	CLAMP, CRIMP RING ZURN 1/2" (COCKPIT)
1789710	ADAPTER, ZURN STRAIGHT 1/2" SWIVEL BRASS (STARBOARD HEAD)
1791378	NIPPLE, ZURN 1/2" BRASS HEX (BILGE)
1792249	TUBING, PEX 3/8"OD W/ 1/2" NUTS 24"LONG (BILGE)
1744830	ADAPTER, STRT RED BRSS 3/4"MPT X 5/8"BARB (BILGE)
1425297	CLIP, SEATECH FLOW BEND 15MM X 90 DEG
1882431	TEE, POLY 3/4"BARB X 3/4"BARB X 1/2"FPT (HULL# 1343 -> UP)
1543883	TEE, PVC 3/4"BARB X 3/4"BARB X 1/2"FPT (HULL# 1201 -> 1342)
184317	NIPPLE, PVC 1/2" X CLOSE
836106	BRACKET, PVC 1.5"X 1.5"X 8" 1/4"HOLES
1792250	NIPPLE, BRASS 1/2"BARB X 1/2"BARB ZURN
1214840	ELBOW, SEATECH 90DEG STEM 15MM (DIESEL ENGINE)
1210160	TUBING, SEATECH 15MM X 11MM X 250' BLUE (VACUUM FLUSH HEAD W/ DIRECT OVER BOARD INTL)
1214832	ELBOW, SEATECH 90DEG EQUAL 15MM (VACUUM FLUSH HEAD W/ DIRECT OVER BOARD INTL)
1210178	ADAPTER, SEATECH 1/2"-15MM BRASS (VACUUM FLUSH HEAD W/ DIRECT OVER BOARD INTL)

SEWAGE SYSTEM

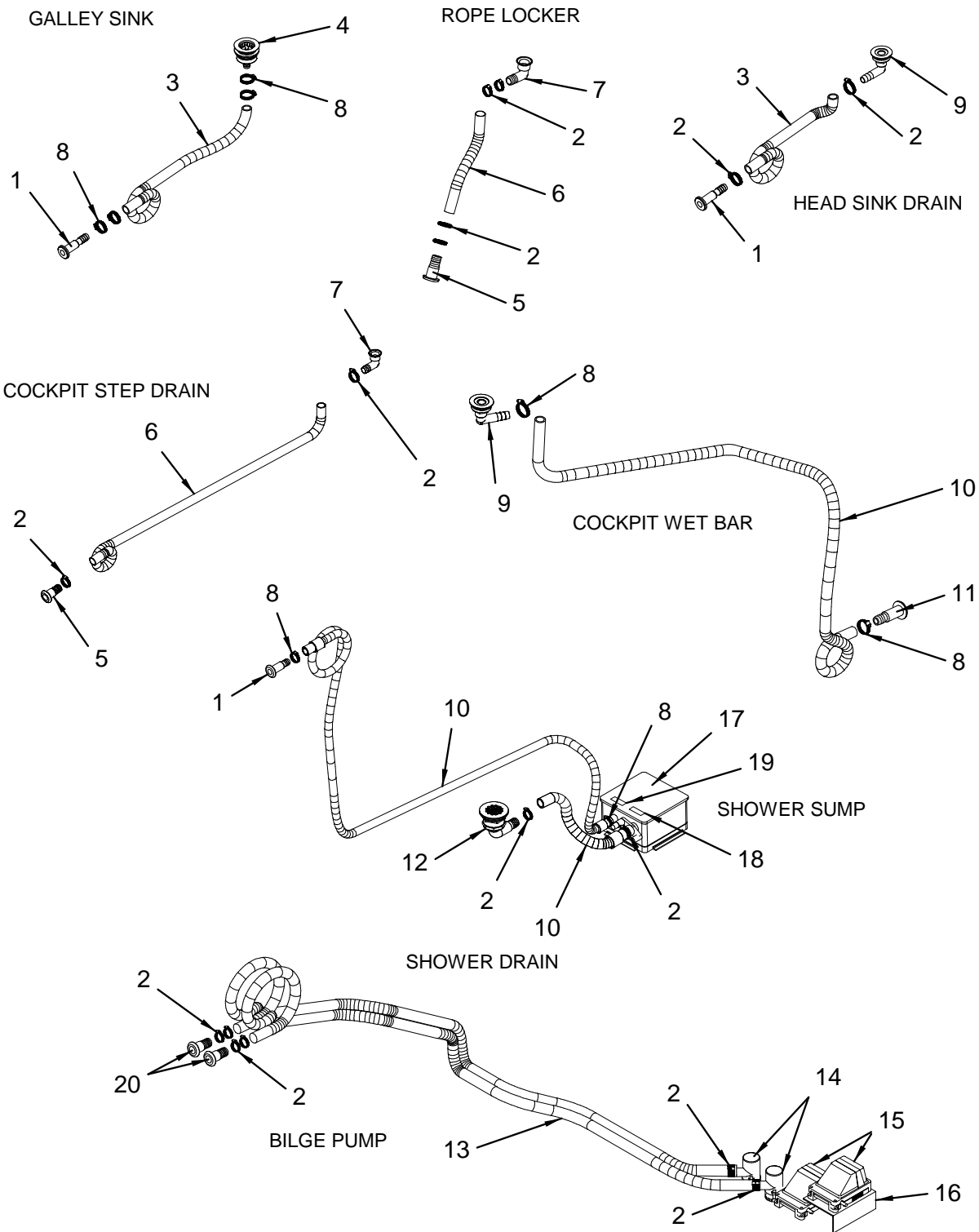


SEWAGE SYSTEM

- 1 1304856 TANK, HOLDING 28 GAL HTS W/FIL/SEND W/CONN
- 1738926 SENDING UNIT, HOLD TANK CAP FOR MRRP 1304856
(PART OF 1304856)
- 1413616 TANK, HOLDING NEW OWNERS GIFT PACK
- 1684143 TANK, HOLDING 28 GAL W/T12PUMP/RELAY/90DEGELL
(MACERATOR W/ SEACOCK INTERLOCK SYSTEM)
- 1789111 PUMP, HOLDING TANK REPLACEMENT
(PART OF 1684143)
- 2 256701 CLAMP, HOSE #28 1 5/16"-2.25" SS .505
- 3 846899 HOSE, SANI 1.5" PREMIUM RBR BLK
- 4 123604 CLAMP, LOOM VINYL DIP 2.5"
- 5 1850223 HEAD, VACU-FLUSH BONE 5048 BACK DIS
(HULL# 1241 -> UP)
- 1872707 HEAD, SEAT ASSY VAC-FLUSH BONE 5048 BACK DIS
(PART OF 1850223)
- 1744871 HEAD, VACU-FLUSH BONE 1048 BACK DIS
(HULL# 1201 -> 1240)
- 1784547 SEAT ASSY, CVR/SEAT/HNG PIN BONE
(FOR PART 1744871)
- 6 1355585 DECK PLATE, WASTE CHR STRAIGHT NCK BLK CODE
- 1068592 KEY, DECK PLATE CAP
(PART OF 1355585)
- 1474790 DECK PLATE, CAP W/GASKET
(PART OF 1355585)
- 7 124719 HOSE, SANI/CHEMICAL TDX 5/8"
- 8 1433176 VENT, FUEL/WATER SS 5/8" 90DEG FLSH MNT
- 9 123448 CLAMP, HOSE #08M 1/2"-1" SS MINI

- 10 1798723 VACUUM GEN, HEAD SYS PMP/ACUM LOPRO 12V W/CON
- 11 518456 SEACOCK, BRZ 1.5" W/O TAILPIECE
(MACERATOR W/ SEACOCK INTERLOCK SYSTEM)
(VACUUM FLUSH HEAD W/ DIRECT OVER BOARD INTL)
- 1302116 SWITCH, SEACOCK INTERLOCK W/60" LEADS/CONN
(MACERATOR W/ SEACOCK INTERLOCK SYSTEM)
- 12 579870 THRU-HULL, BRZ 1.5" W/O NUT
(MACERATOR W/ SEACOCK INTERLOCK SYSTEM)
(VACUUM FLUSH HEAD W/ DIRECT OVER BOARD INTL)
- 13 531566 ELBOW, BRZ 90DEG 1.5"MPT X 1.5"BARB
(MACERATOR W/ SEACOCK INTERLOCK SYSTEM)
(VACUUM FLUSH HEAD W/ DIRECT OVER BOARD INTL)
- 14 1745156 LABEL, NOTICE OVERBOARD DISCHARGE (LEXAN)
(MACERATOR W/ SEACOCK INTERLOCK SYSTEM)
(VACUUM FLUSH HEAD W/ DIRECT OVER BOARD INTL)
- 15 134759 FILTER, HEAD TREATMENT SYSTEM
(PART OF 1304856)

DRAINAGE SYSTEM



DRAINAGE SYSTEM

- 1 1778929 THRU-HULL, SS 3/4" BARB SHORT W/RBR GASKET
- 2 256685 CLAMP, HOSE #16 3/4"-1.5" SS .505
- 3 123885 HOSE, CORR BILGE 3/4" BLK
- 4 175687 DRAIN, SINK STRAINER 2.5" SS W/5/8" BARB
- 1839033 DRAIN, SINK STRAINER BASKET ONLY
(PART OF 175687)
- 408724 ELBOW, PVC 1.5" FLANGE X 3/4" BARB X 90DEG
- 5 1778926 THRU-HULL, SS 1" BARB SHORT W/RBR GASKET
- 6 1042076 HOSE, WATER 1 1/8" BLK
- 7 266130 DRAIN, LINER W/90 DEG ELBOW 1" PLASTIC
- 8 263954 CLAMP, HOSE #10 1/2"-1 1/8" SS .505
- 9 583427 DRAIN, W/PLUG 100DEG 3/4" BARB CHR
- 1734472 DRAIN ASSY, STOPPER #4202 MED BLK
(PART OF 583427)
- 10 123877 HOSE, CORR SAN/WATER-FILL 3/4"
- 11 1778933 THRU-HULL, SS 5/8" BARB SHORT W/RBR GASKET
- 12 196782 DRAIN ASSY, SHOWER 1.5"
- 344762 DRAIN ASSY, SHOWER SLIP NUT 1.5"
- 344721 DRAIN ASSY, GASKET SHOWER SLIP NUT 1.5"
- 13 123901 HOSE, CORR BILGE 1 1/8" BLK
- 14 1690247 PUMP, BILGE 1100GPH W/IMPELLOR HOUSING VANES
- 15 1851746 SWITCH, FLOAT ATTWOOD W/CVR/MERC CONN
(HULL# 1237 -> UP)
- 1193671 SWITCH, FLOAT RULE W/CVR
(HULL# 1201 -> 1236)
- 16 1801270 BRACKET, ALUM FLOAT SWITCH HI-WTR ATTWOOD
(HULL# 1237 -> UP)
- 1441831 BRACKET, BILGE PUMP HI-WTR REV1
(HULL# 1201 -> 1236)
- 17 1849858 SHOWER, SUMP ASSY 12V 800GPH W/MERC FREE SW
(HULL# 1242 -> UP)
- 1683218 SHOWER, SUMP ASSY 12V W/800 PUMP/CHCK VLV MOD
(HULL# 1201 -> 1241)
- 18 1745160 LABEL, 1/2" X 1.5" SHWR DRAIN
- 19 1745517 LABEL, 1/2" X 1.5" DISCHARGE
- 20 1778931 THRU-HULL, SS 1 1/8" BARB SHORT W/RBR GASKET

GRAY WATER SYSTEM

- 1882428 TEE, POLY 3/4" BARB X 3/4" BARB X 3/4" BARB
- 1745161 LABEL, 1/2" X 1.5" VANITY SINK
- 1751566 LABEL, 1/2" X 1.5" GALLEY SINK
- 1768876 LABEL, 1/2" X 1.5" DRAIN

NOT SHOWN

- 123927 HOSE, CORR BILGE 1.25" BLK
- 1033745 HOSE, WATER 1" ID X 1 3/8" OD

D6-310DPH (298 PHP) VOLVO DIESEL STERN DR.

1726995 ACC PART, MERC ALARM BUZZER W/HARNESS
 169920 ADAPTER, BRASS 1/4"MPT X 1/2"SAE
 1214188 ADAPTER, BRASS 3/8"MPT X 1/2"BARB
 1258987 BOOT, BATTERY CABLE 105C "T" RED 4/0
 650499 BOOT, BATTERY CABLE 4/0 RED 11/16"
 627737 BOX, RECEPTACLE/SWITCH PVC 1-GANG DEEP
 791392 BUSHING, SS THD 1/4"FPT X 3/8"MPT
 136044 CABLE, BATT BLK #4/0AWG
 136051 CABLE, BATT RED #4/0AWG
 1881782 CABLE, CONTROL MERC SAE/SAE ENG END PLAT 10'
 1335900 CABLE, CONTROL TELEFLEX TFXXTREME 10'
 1789718 CLAMP, CRIMP RING ZURN 1/2"
 263954 CLAMP, HOSE #10 1/2"-1 1/8" SS .505
 256677 CLAMP, HOSE #12 1/2"-1.25" SS .505
 123661 CLAMP, LOOM VINYL DIP 1"
 800649 COLLECTOR BOX, DECK VENT ABS PORT 300DA 95
 800656 COLLECTOR BOX, DECK VENT ABS STBD 300DA 95
 518720 CONN, BATT LUG 4/0GA NEG T-TYPE
 192385 CONN, BATT LUG 4/0GA NEG W/NUT/BOLT
 203513 CONN, RING 12/10GA X 1/2R W/INSUL
 793349 CONN, RING 4/0GA X 3/8R 1.15 BARE PLTD CLSD
 1194505 DECK PLATE, DSL CHR W/VENT 45DG NCK GRN CODE
 1214840 ELBOW, SEATECH 90DEG STEM 15MM
 1789708 ELBOW, ZURN 1/2" SWIVEL
 170621 FERRULE, FUEL LINE 1/2"ISO/CE .925"ID
 1524065 FILTER, REMOTE FUEL DSL (500MASR)
 170605 FITTING, BRASS 1/2"BARB/NUT
 1148857 HALON SYS, ENG INTRUPT/RESTRT 12V 5-CKT
 1589209 HARNESS, 280DA-01 BILGE VOLVO DSL REV1
 123745 HOSE, FUEL 1.5" TYPE A CLASS 2
 123786 HOSE, FUEL 1/2" TYPE A CLASS 1 ISO/CE
 123778 HOSE, FUEL 5/8" TYPE A CLASS 1 ISO/CE
 124024 HOSE, VENT/BLOWER 3" EX HVY DTY
 1791378 NIPPLE, ZURN 1/2" BRASS HEX
 1753240 PANEL, 280DA-03 INST VOLVO LWR A/F
 1685903 PANEL, 280DA/290BR/SS-02 MDC BRKR VOLVO
 1765964 PANEL, BLANK:280DA-04 INST UP R MLL
 631754 PICK-UP, SPEEDOMETER
 800896 PICK-UP, SPEEDOMETER KIT W/O HOSE 130SR
 1505965 PLUG, ROCKER SWITCH BLK CONTURA-4
 1804370 PROP, DUAL VOLVO BRZ (G-5)
 136150 SWITCH, BATTERY ON/OFF DSL W/DISC
 1789706 TEE, ZURN 1/2" BARB
 1789735 TUBING, ZURN 1/2"X 1000' BLUE
 140046 VALVE, FUEL SHUT OFF DSL 1/4"
 799601 VENT, ABS/DR 300DA BILGE CVR PORT 95
 799619 VENT, ABS/DR 300DA BILGE CVR STBD 95
 1433176 VENT, FUEL/WATER SS 5/8" 90DEG FLSH MNT

496 MAG BR 3 (375 PHP) MCM STERN DRIVE

1583046 ACC PART, MERC EXHAUST INT ELBOW KIT
 1583384 ACC PART, MERC EXHAUST PIPE (Y PIPE)
 169920 ADAPTER, BRASS 1/4"MPT X 1/2"SAE
 1789965 HARNESS, MERCURY FUEL ADAPTER 6 PIN TO 3
 124594 HOSE, WATER 5/8" HVY DTY (HEATER)
 1778016 OUTDRIVE UNIT, MERC BRAVO III 2.0:1 '05
 1849122 S/D, MERC 375PHP 496 MAG B 3.0"

T-4.3L MPI ALPHA (T-220 PHP) MCM STERN DR

1690376 ACC PART, MERC S-CRFT AIR TEMP SENSOR
 1507326 ACC PART, MERC S-CRFT JUNC BOX 4-WAY
 1218213 ACC PART, MERC SPACER KIT TRIM CYL
 1457167 ACTUATOR, ROCK BLK W/O LENS ENG STRT CNTRL4
 1457159 ACTUATOR, ROCK BLK W/O LENS ENG STRT/STP CNT4
 144675 ADAPTER, BRASS 1/2"MPT X 5/8"BARB
 169920 ADAPTER, BRASS 1/4"MPT X 1/2"SAE
 670521 BODY, ROCK SW 2 CKT PROG
 1526698 BODY, ROCK SW DPST MOM W/O BARRIER
 650507 BOOT, BATTERY CABLE 4/0 BLK 11/16"
 650499 BOOT, BATTERY CABLE 4/0 RED 11/16"
 130807 CABLE, BATT BLK #2/0AWG
 184051 CABLE, BATT RED #2/0AWG
 1883340 CABLE, CNTRL MERC GEN 1/MERC ENG PLAT 18'
 1881783 CABLE, CONTROL MERC GEN I ENG END PLAT 15'
 1690087 CABLE, CONTROL MERC PLATINUM 16'
 1747190 CABLE, CONTROL MERC PLATINUM 19'
 974071 CABLE, CONTROL TELEFLEX 15' 600A/MERC SERIES
 974089 CABLE, CONTROL TELEFLEX 16' 600A/MERC SERIES
 1028042 CABLE, CONTROL TELEFLEX 18' 600A/MERC SERIES
 1028059 CABLE, CONTROL TELEFLEX 19' 600A/MERC SERIES

T-4.3L MPI ALPHA (T-220 PHP) MCM STERN DR (continued)

256701 CLAMP, HOSE #28 1 5/16"-2.25" SS .505
 360537 CONN, BATT LUG 2/0 NEG W/NUT/BOLT
 360495 CONN, BATT LUG 2/0 POS W/NUT/BOLT
 793257 CONN, RING 2/0GA X 3/8R BATT/CBL COP PLTD CLS
 278184 CONTROL, THRTL/SHFT DUAL I/O
 169748 ELBOW, BRASS 90DEG 1/2"SAE X 3/8"MPT
 168955 ELBOW, BRASS 90DEG 1/4"MPT X 1/2"SAE
 170621 FERRULE, FUEL LINE 1/2"ISO/CE .925"ID
 170605 FITTING, BRASS 1/2"BARB/NUT
 1690511 GAUGE, 5" 4-IN-1 VOLT/OIL/TMP/TRIM S-CRFT
 1777616 GAUGE, SYS SPEED 3"SC 0-70MPH/RV2 POST 2602
 1777617 GAUGE, SYS TACH 3" S-CRFT 0-7000RPM RV2
 1792020 HARNESS, 280DA-05 BILGE T/E W/S-CRFT RV1
 1505908 HARNESS, 280DA/290BR/SS-01 TWIN ENG IGN ESS
 1839411 HARNESS, ENG MERC S-CRFT ADAPTR 10 PIN-14 PIN
 1507292 HARNESS, ENG SYSTEMS TACH/MONITOR
 1839412 HARNESS, FUEL ADAPTER 3 PIN TO NW 6 PIN
 1753564 HARNESS, MERC CAN LINK
 1727448 HARNESS, MERC DATA S-CRFT W/TERM 1000-1RSL-25
 1507276 HARNESS, MERC DATA S-CRFT W/TERM 1000-1RSL-30
 1793838 HARNESS, MERC DUAL ENGINE INST ADP
 1507300 HARNESS, SYSTEM SPEED
 1239458 HOLDER, BATTERY GR27/31 BLK NYLON W/SS
 1501832 HOSE, CONDUIT/SPLIT 3/8" FLAME RETARDANT
 123901 HOSE, CORR BILGE 1 1/8" BLK
 123786 HOSE, FUEL 1/2" TYPE A CLASS 1 ISO/CE
 1090869 OUTDRIVE UNIT, MERC ALPHA 1.62:1
 1090877 OUTDRIVE UNIT, MERC ALPHA 1.62:1 CR
 1719229 PANEL, 280DA-03 INST T/E S/S-CRFT
 1753254 PANEL, 280DA-03 LWR W/FUEL S-CRFT REV1
 1685902 PANEL, 280DA/290BR/SS-02 MDC BRKR TWN ENG
 1727800 PITOT, S/CRFT SPEEDO KIT SML BLOCK
 325191 PLUG, RED BRASS DRAIN 1/2"MPT W/FLANGE
 1096833 PROP, 14.5"X 17" VENGEANCE LH
 654319 PROP, 14.5"X 17" VENGEANCE RH
 1849132 S/D, MERC 220PHP 4.3L MPI A 3.0"
 723767 SNAP CAP, PRESS-ON CVR #2 PHILLIP WHT
 1690833 SOLENOID, EMERG START 12V 100AMP
 1091941 STEERING, BACK MNT RACK/CABLE 16.5' ASSY
 1726841 SWITCH, BATTERY ON/OFF NLCK N/DISC RV1
 142083 TIE BAR, MERC V-8 TYPE 30"-46"
 1549682 TUBE, PICK-UP ASSY W/1/2"BARB 280DA-01
 1791155 VALVE, BRASS FUEL SHUT-OFF 12V SER7000 10W

T-4.3L MPI BR 3 (T-220 PHP) MCM STERN DR

1690376 ACC PART, MERC S-CRFT AIR TEMP SENSOR
 1507326 ACC PART, MERC S-CRFT JUNC BOX 4-WAY
 1218213 ACC PART, MERC SPACER KIT TRIM CYL
 1457167 ACTUATOR, ROCK BLK W/O LENS ENG STRT CNTRL4
 1457159 ACTUATOR, ROCK BLK W/O LENS ENG STRT/STP CNT4
 144675 ADAPTER, BRASS 1/2"MPT X 5/8"BARB
 169920 ADAPTER, BRASS 1/4"MPT X 1/2"SAE
 670521 BODY, ROCK SW 2 CKT PROG
 1526698 BODY, ROCK SW DPST MOM W/O BARRIER
 650507 BOOT, BATTERY CABLE 4/0 BLK 11/16"
 650499 BOOT, BATTERY CABLE 4/0 RED 11/16"
 130807 CABLE, BATT BLK #2/0AWG
 184051 CABLE, BATT RED #2/0AWG
 1883340 CABLE, CNTRL MERC GEN 1/MERC ENG PLAT 18'
 1881783 CABLE, CONTROL MERC GEN I ENG END PLAT 15'
 1690087 CABLE, CONTROL MERC PLATINUM 16'
 1747190 CABLE, CONTROL MERC PLATINUM 19'
 974071 CABLE, CONTROL TELEFLEX 15' 600A/MERC SERIES
 974089 CABLE, CONTROL TELEFLEX 16' 600A/MERC SERIES
 1028042 CABLE, CONTROL TELEFLEX 18' 600A/MERC SERIES
 1028059 CABLE, CONTROL TELEFLEX 19' 600A/MERC SERIES
 256701 CLAMP, HOSE #28 1 5/16"-2.25" SS .505
 360537 CONN, BATT LUG 2/0 NEG W/NUT/BOLT
 360495 CONN, BATT LUG 2/0 POS W/NUT/BOLT
 793257 CONN, RING 2/0GA X 3/8R BATT/CBL COP PLTD CLS
 278184 CONTROL, THRTL/SHFT DUAL I/O
 169748 ELBOW, BRASS 90DEG 1/2"SAE X 3/8"MPT
 168955 ELBOW, BRASS 90DEG 1/4"MPT X 1/2"SAE
 170621 FERRULE, FUEL LINE 1/2"ISO/CE .925"ID
 170605 FITTING, BRASS 1/2"BARB/NUT
 1690511 GAUGE, 5" 4-IN-1 VOLT/OIL/TMP/TRIM S-CRFT
 1777616 GAUGE, SYS SPEED 3"SC 0-70MPH/RV2 POST 2602
 1777617 GAUGE, SYS TACH 3" S-CRFT 0-7000RPM RV2
 1792020 HARNESS, 280DA-05 BILGE T/E W/S-CRFT RV1
 1505908 HARNESS, 280DA/290BR/SS-01 TWIN ENG IGN ESS

T-4.3L MPI BR 3 (T-220 PHP) MCM STERN DR (continued)

1839411 HARNESS, ENG MERC S-CRFT ADAPTR 10 PIN-14 PIN
 1507292 HARNESS, ENG SYSTEMS TACH/MONITOR
 1839412 HARNESS, FUEL ADAPTER 3 PIN TO NW 6 PIN
 1753564 HARNESS, MERC CAN LINK
 1727448 HARNESS, MERC DATA S-CRFT W/TERM 1000-1RSL-25
 1507276 HARNESS, MERC DATA S-CRFT W/TERM 1000-1RSL-30
 1793838 HARNESS, MERC DUAL ENGINE INST ADP
 1507300 HARNESS, SYSTEM SPEED
 1239458 HOLDER, BATTERY GR27/31 BLK NYLON W/SS
 1501832 HOSE, CONDUIT/SPLIT 3/8" FLAME RETARDANT
 123901 HOSE, CORR BILGE 1 1/8" BLK
 123786 HOSE, FUEL 1/2" TYPE A CLASS 1 ISO/CE
 1778015 OUTDRIVE UNIT, MERC BRAVO III 2.20:1 '05
 1719229 PANEL, 280DA-03 INST T/E S/S-CRFT
 1753254 PANEL, 280DA-03 LWR W/FUEL S-CRFT REV1
 1685902 PANEL, 280DA/290BR/SS-02 MDC BRKR TWN ENG
 1727800 PITOT, S/CRFT SPEEDO KIT SML BLOCK
 325191 PLUG, RED BRASS DRAIN 1/2"MPT W/FLANGE
 708206 PROP, 14.25"X 24" SS BR3 RH
 708198 PROP, 15.5"X 24" SS BR3 LH
 1849131 S/D, MERC 220PHP 4.3L MPI B 3.0"
 723767 SNAP CAP, PRESS-ON CVR #2 PHILLIP WHT
 1690833 SOLENOID, EMERG START 12V 100AMP
 1091941 STEERING, BACK MNT RACK/CABLE 16.5' ASSY
 1726841 SWITCH, BATTERY ON/OFF N/LCK N/DISC RV1
 142083 TIE BAR, MERC V-8 TYPE 30"-46"
 1549682 TUBE, PICK-UP ASSY W/1/2"BARB 280DA-01
 1791155 VALVE, BRASS FUEL SHUT-OFF 12V SER7000 10W

T-5.0L MPI BR 3 (T-260 PHP) MCM STERN DR

1690376 ACC PART, MERC S-CRFT AIR TEMP SENSOR
 1507326 ACC PART, MERC S-CRFT JUNC BOX 4-WAY
 1218213 ACC PART, MERC SPACER KIT TRIM CYL
 1457167 ACTUATOR, ROCK BLK W/O LENS ENG STRT CNTRL4
 1457159 ACTUATOR, ROCK BLK W/O LENS ENG STRT/STP CNT4
 144675 ADAPTER, BRASS 1/2"MPT X 5/8"BARB
 169920 ADAPTER, BRASS 1/4"MPT X 1/2"SAE
 670521 BODY, ROCK SW 2 CKT PROG
 1526698 BODY, ROCK SW DPST MOM W/O BARRIER
 650507 BOOT, BATTERY CABLE 4/0 BLK 11/16"
 650499 BOOT, BATTERY CABLE 4/0 RED 11/16"
 130807 CABLE, BATT BLK #2/0AWG
 184051 CABLE, BATT RED #2/0AWG
 1883340 CABLE, CNTRL MERC GEN 1/MERC ENG PLAT 18'
 1881783 CABLE, CONTROL MERC GEN I ENG END PLAT 15'
 1690087 CABLE, CONTROL MERC PLATINUM 16'
 1747190 CABLE, CONTROL MERC PLATINUM 19'
 974071 CABLE, CONTROL TELEFLEX 15' 600A/MERC SERIES
 974089 CABLE, CONTROL TELEFLEX 16' 600A/MERC SERIES
 1028042 CABLE, CONTROL TELEFLEX 18' 600A/MERC SERIES
 1028059 CABLE, CONTROL TELEFLEX 19' 600A/MERC SERIES
 256701 CLAMP, HOSE #28 1 5/16"-2.25" SS .505
 360537 CONN, BATT LUG 2/0 NEG W/NUT/BOLT
 360495 CONN, BATT LUG 2/0 POS W/NUT/BOLT
 793257 CONN, RING 2/0GA X 3/8R BATT/CBL COP PLTD CLS
 278184 CONTROL, THRTL/SHFT DUAL I/O
 169748 ELBOW, BRASS 90DEG 1/2"SAE X 3/8"MPT
 168955 ELBOW, BRASS 90DEG 1/4"MPT X 1/2"SAE
 170621 FERRULE, FUEL LINE 1/2"ISO/CE .925"ID
 170605 FITTING, BRASS 1/2"BARB/NUT
 1690511 GAUGE, 5" 4-IN-1 VOLT/OIL/TMP/TRIM S-CRFT
 1777616 GAUGE, SYS SPEED 3"SC 0-70MPH/RV2 POST 2602
 1777617 GAUGE, SYS TACH 3" S-CRFT 0-7000RPM RV2
 1792020 HARNESS, 280DA-05 BILGE T/E W/S-CRFT RV1
 1505908 HARNESS, 280DA/290BR/SS-01 TWIN ENG IGN ESS
 1839411 HARNESS, ENG MERC S-CRFT ADAPTR 10 PIN-14 PIN
 1507292 HARNESS, ENG SYSTEMS TACH/MONITOR
 1839412 HARNESS, FUEL ADAPTER 3 PIN TO NW 6 PIN
 1753564 HARNESS, MERC CAN LINK
 1727448 HARNESS, MERC DATA S-CRFT W/TERM 1000-1RSL-25
 1507276 HARNESS, MERC DATA S-CRFT W/TERM 1000-1RSL-30
 1793838 HARNESS, MERC DUAL ENGINE INST ADP
 1507300 HARNESS, SYSTEM SPEED
 1239458 HOLDER, BATTERY GR27/31 BLK NYLON W/SS
 1501832 HOSE, CONDUIT/SPLIT 3/8" FLAME RETARDANT
 123901 HOSE, CORR BILGE 1 1/8" BLK
 123786 HOSE, FUEL 1/2" TYPE A CLASS 1 ISO/CE
 1778015 OUTDRIVE UNIT, MERC BRAVO III 2.20:1 '05
 1719229 PANEL, 280DA-03 INST T/E S/S-CRFT
 1753254 PANEL, 280DA-03 LWR W/FUEL S-CRFT REV1

T-5.0L MPI BR 3 (T-260 PHP) MCM STERN DR (continued)

1685902 PANEL, 280DA/290BR/SS-02 MDC BRKR TWN ENG
 1727800 PITOT, S/CRFT SPEEDO KIT SML BLOCK
 325191 PLUG, RED BRASS DRAIN 1/2"MPT W/FLANGE
 708206 PROP, 14.25"X 24" SS BR3 RH
 708198 PROP, 15.5"X 24" SS BR3 LH
 1837958 S/D, MERC 260PHP 5.0L MPI B 3.0"
 723767 SNAP CAP, PRESS-ON CVR #2 PHILLIP WHT
 1690833 SOLENOID, EMERG START 12V 100AMP
 1091941 STEERING, BACK MNT RACK/CABLE 16.5' ASSY
 1726841 SWITCH, BATTERY ON/OFF N/LCK N/DISC RV1
 142083 TIE BAR, MERC V-8 TYPE 30"-46"
 1549682 TUBE, PICK-UP ASSY W/1/2"BARB 280DA-01
 1791155 VALVE, BRASS FUEL SHUT-OFF 12V SER7000 10W

FLAG POLE & BASE, U.S. FLAG

706747 CLIP, FLAG
 1854249 CLIP, FLAG KEY RNG 302SS
 1838426 FLAG, USA 16" X 24"
 1848879 HOLDER, FLUSH MOUNT MAGNETIC STERN FLAG POLE
 1838431 POLE, FLAGSTAFF SS MAGNETIC SPRTBT/SPRTRCSR

FRESHWATER COOLING-TWIN S/D 4.3L OR 5.0L

141713 ADAPTER, BRASS 3/8"MPT X 5/8"BARB
 1789718 CLAMP, CRIMP RING ZURN 1/2"
 256693 CLAMP, HOSE #24 1"-2" SS .505
 586917 ELBOW, BRZ 45DEG 1.25"MPT X 1.25"BARB
 144691 ELBOW, BRZ 90DEG 1.25"MPT X 1.25"BARB (PERKO)
 1789708 ELBOW, ZURN 1/2" SWIVEL
 124206 HOSE, WATER INTAKE 1.25" HW
 168898 NIPPLE, BRASS 1/2"MPT X 3.5"
 1791378 NIPPLE, ZURN 1/2" BRASS HEX
 531590 PICK-UP, BRZ WATER INTAKE 1.25"
 1848903 S/D, MERC 220PHP 4.3L MPI A 3.0" CC
 518449 SEACOCK, BRZ 1.25" W/O TAILPIECE
 158063 STRAINER, BRZ WATER INTAKE 1.25"
 1789706 TEE, ZURN 1/2" BARB
 1789735 TUBING, ZURN 1/2"X 1000' BLUE
 1054766 VALVE, BRASS WATER HEATER TEMPERING 120-160DG
 1791673 VALVE, ZURN 1/2" MPT X 1/2" MPT CHECKVALVE

AUSTRALIAN BUILDERS PLATE

1850620 PLATE, BUILDERS AU 06-280DA

NEUTRAL COLOR FITTED SHEETS

1839307 SHEET, 280DA-07 FWDSTRM FITTED W/PLLW CS

2ND STEREO REMOTE CONTROL -TRANSOM

935080 CABLE, CLARION DUAL REMOTE "Y"
 1312750 CABLE, CLARION REMOTE EXTENSION CABLE 24'
 1803477 STEREO, REMOTE CNTRL N/D SPL BLK FACE/SS BZL

GENERATOR 4.0 EOZ KOHLER - DIESEL - 120V/60

162750 ADAPTER, BRASS 1/4"MPT X 1/4"SAE
 140483 ADAPTER, BRASS 1/4"MPT X 3/8"SAE
 531426 ADAPTER, BRZ 3/4"MPT X 3/4"BARB
 140509 BOOT, ENG STARTER RED
 791392 BUSHING, SS THD 1/4"FPT X 3/8"MPT
 130799 CABLE, BATT BLK #2AWG
 130781 CABLE, BATT RED #2AWG
 135210 CABLE, MARINE STRANDED 10/3
 135202 CABLE, MARINE STRANDED 12/3
 135228 CABLE, MARINE STRANDED 14/3 BLK/GRN/WHT
 135251 CABLE, MARINE STRANDED 8/3
 1684388 CAP, PROTECT CLAMP RBR .045"X.465-1/2"BLK
 123398 CLAMP, HOSE #06M 5/16"-7/8" SS MINI
 256677 CLAMP, HOSE #12 1/2"-1.25" SS .505
 417717 CLAMP, HOSE #36 7/8"-2.75" SS .505
 123612 CLAMP, LOOM VINYL DIP 11/16"
 123604 CLAMP, LOOM VINYL DIP 2.5"
 793265 CONN, RING 2GA X 3/8R BATT/CBL COP PLTD CLSD
 793281 CONN, RING 2GA X 5/16R .630 BARE ELONG CLSD
 157958 CONN, RING 8GA X 1/4R .468 W/INSUL
 629253 ELBOW, BRASS 90DEG 1/4"SAE X 1/4"MPT
 140467 ELBOW, BRASS 90DEG 3/8"SAE X 1/4"MPT
 140475 ELBOW, BRASS 90DEG 3/8"SAE X 1/8"MPT
 169193 ELBOW, BRZ 90DEG 3/4"MPT X 3/4"BARB
 321158 EXHAUST, EL 2"X 90DEG W/2-4" & 1-2.5" LEGS
 965954 FERRULE, FUEL LINE 1/4"ISO/CE .650"ID
 1524065 FILTER, REMOTE FUEL DSL (500MASR)
 629279 FITTING, BRASS 1/4"BARB/NUT

GENERATOR 4.0 EOZ KOHLER - DIESEL - 120V/60 (continued)

1727348	GENERATOR, 5.0 KW DSL KOHLER 120V/60
1486620	HARNESS, 280DA-01 GROUNDING
1833277	HARNESS, 280DA-06 KOHLER GEN DSL
1501840	HOSE, CONDUIT/SPLIT 1" FLAME RETARDANT
1501782	HOSE, CONDUIT/SPLIT 1/2" FLAME RETARDANT
1501824	HOSE, CONDUIT/SPLIT 3/4" FLAME RETARDANT
913053	HOSE, EXHAUST 2" CORR HW
340901	HOSE, FUEL 1/4" TYPE A CLASS 1 ISO/CE
124594	HOSE, WATER 5/8" HVY DTY (HEATER)
315507	INSULATION, VIBRACON 1"
1743616	LABEL, UNPLUG SHORE POWER WARNING
1784602	MUFFLER, 2"IN X 2"OUT 9"X 9" BASE
570135	NIPPLE, BRASS 1/4"MPT X 1/4"MPT
1508993	PANEL, 280DA-01 AC MDP 120/60 W/GEN
1719445	PANEL, 280DA-03 GEN REMOTE DSL KOHLER
518431	SEACOCK, BRZ 3/4" W/O TAILPIECE
1791584	STRAINER, BRZ WATER INTAKE 3/4" W/NYLON STRAP
1497452	TAPE, FOAM NEOPRENE W/3M 9828 3/8"TH X 2"W
640300	THRU-HULL, BRZ 3/4" W/O NUT
1769255	THRU-HULL, SS EXHAUST 2" W/SS LIP
140046	VALVE, FUEL SHUT OFF DSL 1/4"

GENERATOR 3.5 EFOZ KOHLER -DIESEL - 220V/50

162750	ADAPTER, BRASS 1/4"MPT X 1/4"SAE
140483	ADAPTER, BRASS 1/4"MPT X 3/8"SAE
531426	ADAPTER, BRZ 3/4"MPT X 3/4"BARB
140509	BOOT, ENG STARTER RED
1734756	BRKR, CIRC KOHLER GAS GEN 18A/50HZ KIT
791392	BUSHING, SS THD 1/4"FPT X 3/8"MPT
130799	CABLE, BATT BLK #2AWG
130781	CABLE, BATT RED #2AWG
1626803	CABLE, MARINE UL BOAT 10/3 EURO
1626795	CABLE, MARINE UL BOAT 12/3 EURO
1646900	CABLE, MARINE UL BOAT 14/3 EURO
1626787	CABLE, MARINE UL BOAT 8/3 EURO
1684388	CAP, PROTECT CLAMP RBR .045"X.465-1/2"BLK
123398	CLAMP, HOSE #06M 5/16"-7/8" SS MINI
256677	CLAMP, HOSE #12 1/2"-1.25" SS .505
417717	CLAMP, HOSE #36 7/8"-2.75" SS .505
123612	CLAMP, LOOM VINYL DIP 11/16"
123604	CLAMP, LOOM VINYL DIP 2.5"
793265	CONN, RING 2GA X 3/8R BATT/CBL COP PLTD CLSD
793281	CONN, RING 2GA X 5/16R .630 BARE ELONG CLSD
157958	CONN, RING 8GA X 1/4R .468 W/INSUL
629253	ELBOW, BRASS 90DEG 1/4"SAE X 1/4"MPT
140467	ELBOW, BRASS 90DEG 3/8"SAE X 1/4"MPT
140475	ELBOW, BRASS 90DEG 3/8"SAE X 1/8"MPT
169193	ELBOW, BRZ 90DEG 3/4"MPT X 3/4"BARB
321158	EXHAUST, EL 2"X 90DEG W/2-4" & 1-2.5" LEGS
965954	FERRULE, FUEL LINE 1/4"ISO/CE .650"ID
1524065	FILTER, REMOTE FUEL DSL (500MASR)
629279	FITTING, BRASS 1/4"BARB/NUT
1727348	GENERATOR, 5.0 KW DSL KOHLER 120V/60
1486620	HARNESS, 280DA-01 GROUNDING
1833277	HARNESS, 280DA-06 KOHLER GEN DSL
1501782	HOSE, CONDUIT/SPLIT 1/2" FLAME RETARDANT
1501824	HOSE, CONDUIT/SPLIT 3/4" FLAME RETARDANT
913053	HOSE, EXHAUST 2" CORR HW
340901	HOSE, FUEL 1/4" TYPE A CLASS 1 ISO/CE
124594	HOSE, WATER 5/8" HVY DTY (HEATER)
315507	INSULATION, VIBRACON 1"
1743616	LABEL, UNPLUG SHORE POWER WARNING
1784602	MUFFLER, 2"IN X 2"OUT 9"X 9" BASE
570135	NIPPLE, BRASS 1/4"MPT X 1/4"MPT
1508985	PANEL, 280DA-01 AC MDP 220/50 W/GEN
1719445	PANEL, 280DA-03 GEN REMOTE DSL KOHLER
518431	SEACOCK, BRZ 3/4" W/O TAILPIECE
1791584	STRAINER, BRZ WATER INTAKE 3/4" W/NYLON STRAP
1497452	TAPE, FOAM NEOPRENE W/3M 9828 3/8"TH X 2"W
640300	THRU-HULL, BRZ 3/4" W/O NUT
1769255	THRU-HULL, SS EXHAUST 2" W/SS LIP
140046	VALVE, FUEL SHUT OFF DSL 1/4"

CAMPER CANVAS PACKAGE

1653310	CANVAS, 280DA-02 CAMP TOP BOOT W/ARCH BLK
1756867	CANVAS, 280DA-04 CAMP CMPLT W/ARC N/BOOT BLK

COCKPIT COVER

1756868	CANVAS, 280DA-04 BIM CPC W/ARCH BLK
---------	-------------------------------------

INVERTER - 12V TO 120V/60 CYCLE

627737	BOX, RECEPTACLE/SWITCH PVC 1-GANG DEEP
355081	BRKR/ROCK, SGL-POLE AC/DC HORZ 25A RED
135228	CABLE, MARINE STRANDED 14/3 BLK/GRN/WHT
1812978	INVERTER, TRUSINE WAVE XANTREX 400W 12VDC
1816198	LABEL, CAUTION ELEC LOAD ONLY INVRTR REPCT
1816196	LABEL, WARNING ELEC SHK HZRD INVRTR DISCNT DC
1816197	LABEL, WARNING ELEC SHK HZRD INVRTR FED RECPT
1787503	RECEPTACLE, GFCI DPLX BLK WIND LIGHT 15A LVT
1881817	RECEPTACLE, GFCI DPLX BLK WIND/SMR TLCK 15A
1787502	RECEPTACLE, GFCI DPLX WHT W/WIND LIGHT 15A LVT

SPOTLIGHT, 5" REMOTE CONTROLLED

1755306	CONTROL, SEARCH LIGHT N/HARNESS
1756641	HARNESS, SPOTLIGHT ASSY 25' W/MALE CONN
1501857	HOSE, CONDUIT/SPLIT 1.5" FLAME RETARDANT
1754590	SPOTLIGHT, 5" SS GUEST

PREMIUM COCKPIT SOUND SYSTEM - 12 VOLT

1783978	BRKR, SURF MNT THERMAL 30AMP MANUAL RESET CB
1185081	BRKR, SURF MNT THERMAL 50AMP MANUAL RESET
935080	CABLE, CLARION DUAL REMOTE "Y"
1312750	CABLE, CLARION REMOTE EXTENSION CABLE 24'
1750879	CABLE, RCA AUDIO "Y" (1-FM/2-M) W/NOISE SUPP
1750893	CABLE, RCA AUDIO 14' W/EFX-2 CONN N/SUP
1758576	CABLE, RCA AUDIO EFX-2 "Y" ADAPTER
1774181	GRILL, 10" SUBWOOFER POLK/MOMO G10 WHT
1760136	HARNESS, 280DA-04 CKPT SYS
1764402	LABEL, 7/16"X 7/8" CKPT STEREO CHG ADH/SUBSTR
432872	PLUG, BRKR/ROCK
1764470	PLUG, HOLE M BRKR
1764471	SPEAKER, POLK/MOMO 10" SUBWOOFER RV1
1784476	SPEAKER, POLK/MOMO 6.5"MD-RNG/TWTR/CRSOVR WHT
1782018	STEREO, AMP CLARION APX280M
1807866	STEREO, AMP PANASONIC 400W 4CHNL
1803477	STEREO, REMOTE CNTRL N/D SPL BLK FACE/SS BZL

GENERATOR 4.0 EFCO KOHLER - GAS - 220V/50HZ

162750	ADAPTER, BRASS 1/4"MPT X 1/4"SAE
531426	ADAPTER, BRZ 3/4"MPT X 3/4"BARB
140509	BOOT, ENG STARTER RED
1734756	BRKR, CIRC KOHLER GAS GEN 18A/50HZ KIT
130799	CABLE, BATT BLK #2AWG
130781	CABLE, BATT RED #2AWG
1626803	CABLE, MARINE UL BOAT 10/3 EURO
1626795	CABLE, MARINE UL BOAT 12/3 EURO
1646900	CABLE, MARINE UL BOAT 14/3 EURO
1626787	CABLE, MARINE UL BOAT 8/3 EURO
123398	CLAMP, HOSE #06M 5/16"-7/8" SS MINI
263954	CLAMP, HOSE #10 1/2"-1 1/8" SS .505
256677	CLAMP, HOSE #12 1/2"-1.25" SS .505
417717	CLAMP, HOSE #36 7/8"-2.75" SS .505
793265	CONN, RING 2GA X 3/8R BATT/CBL COP PLTD CLSD
629253	ELBOW, BRASS 90DEG 1/4"SAE X 1/4"MPT
169193	ELBOW, BRZ 90DEG 3/4"MPT X 3/4"BARB
1718687	EXHAUST, EL 2"X 90DEG RBR W/T-BOLT CLAMPS
321158	EXHAUST, EL 2"X 90DEG W/2-4" & 1-2.5" LEGS
965954	FERRULE, FUEL LINE 1/4"ISO/CE .650"ID
148171	FILTER, FUEL/WATER SEPARATOR KIT
629279	FITTING, BRASS 1/4"BARB/NUT
1833211	GENERATOR, 4EFCO GAS KOHLER 220V/50 SCRFT
1486620	HARNESS, 280DA-01 GROUNDING
1833276	HARNESS, 280DA-06 KOHLER GEN GAS ECD
913053	HOSE, EXHAUST 2" CORR HW
340901	HOSE, FUEL 1/4" TYPE A CLASS 1 ISO/CE
124594	HOSE, WATER 5/8" HVY DTY (HEATER)
315507	INSULATION, VIBRACON 1"
1810627	MODULE, ELEC INTERFACE SWITCHING SYS 06
1784602	MUFFLER, 2"IN X 2"OUT 9"X 9" BASE
1508985	PANEL, 280DA-01 AC MDP 220/50 W/GEN
1833278	PANEL, 280DA-06 GEN REMOTE GAS KOHLER ECD
518431	SEACOCK, BRZ 3/4" W/O TAILPIECE
1791584	STRAINER, BRZ WATER INTAKE 3/4" W/NYLON STRAP
640300	THRU-HULL, BRZ 3/4" W/O NUT
1769255	THRU-HULL, SS EXHAUST 2" W/SS LIP
1791155	VALVE, BRASS FUEL SHUT-OFF 12V SER7000 10W

GENERATOR 5.0 ECD KOHLER - GAS - 120V/60HZ

162750	ADAPTER, BRASS 1/4"MPT X 1/4"SAE
531426	ADAPTER, BRZ 3/4"MPT X 3/4"BARB
140509	BOOT, ENG STARTER RED

GENERATOR 5.0 ECD KOHLER - GAS - 120V/60HZ (continued)

130799	CABLE, BATT BLK #2AWG
130781	CABLE, BATT RED #2AWG
135210	CABLE, MARINE STRANDED 10/3
135202	CABLE, MARINE STRANDED 12/3
135228	CABLE, MARINE STRANDED 14/3 BLK/GRN/WHT
135251	CABLE, MARINE STRANDED 8/3
123398	CLAMP, HOSE #06M 5/16"-7/8" SS MINI
263954	CLAMP, HOSE #10 1/2"-1 1/8" SS .505
256677	CLAMP, HOSE #12 1/2"-1.25" SS .505
417717	CLAMP, HOSE #36 7/8"-2.75" SS .505
793265	CONN, RING 2GA X 3/8R BATT/CBL COP PLTD CLSD
629253	ELBOW, BRASS 90DEG 1/4"SAE X 1/4"MPT
169193	ELBOW, BRZ 90DEG 3/4"MPT X 3/4"BARB
1718687	EXHAUST, EL 2"X 90DEG RBR W/T-BOLT CLAMPS
321158	EXHAUST, EL 2"X 90DEG W/2-4" & 1-2.5" LEGS
965954	FERRULE, FUEL LINE 1/4"ISO/CE .650"ID
148171	FILTER, FUEL/WATER SEPARATOR KIT
629279	FITTING, BRASS 1/4"BARB/NUT
1803671	GENERATOR, 5ECD GAS KOHLER 120V/60 SCRFT
1486620	HARNESS, 280DA-01 GROUNDING
1833276	HARNESS, 280DA-06 KOHLER GEN GAS ECD
913053	HOSE, EXHAUST 2" CORR HW
340901	HOSE, FUEL 1/4" TYPE A CLASS 1 ISO/CE
124594	HOSE, WATER 5/8" HVY DTY (HEATER)
315507	INSULATION, VIBRACON 1"
1810627	MODULE, ELEC INTERFACE SWITCHING SYS 06
1784602	MUFFLER, 2"IN X 2"OUT 9"X 9" BASE
1508993	PANEL, 280DA-01 AC MDP 120/60 W/GEN
1833278	PANEL, 280DA-06 GEN REMOTE GAS KOHLER ECD
518431	SEACOCK, BRZ 3/4" W/O TAILPIECE
1791584	STRAINER, BRZ WATER INTAKE 3/4" W/NYLON STRAP
640300	THRU-HULL, BRZ 3/4" W/O NUT
1769255	THRU-HULL, SS EXHAUST 2" W/SS LIP
1791155	VALVE, BRASS FUEL SHUT-OFF 12V SER7000 10W

MACERATOR W/ SEACOCK INTERLOCK SYSTEM

256701	CLAMP, HOSE #28 1 5/16"-2.25" SS .505
123604	CLAMP, LOOM VINYL DIP 2.5"
531566	ELBOW, BRZ 90DEG 1.5"MPT X 1.5"BARB
846899	HOSE, SANI 1.5" PREMIUM RBR BLK
1745156	LABEL, NOTICE OVERBOARD DISCHARGE (LEXAN)
518456	SEACOCK, BRZ 1.5" W/O TAILPIECE
1302116	SWITCH, SEACOCK INTERLOCK W/60" LEADS/CONN
1684143	TANK, HOLDING 28 GAL W/T12PUMP/RELAY/90DEGELL
579870	THRU-HULL, BRZ 1.5" W/O NUT

BUTANE STOVE

123778	HOSE, FUEL 5/8" TYPE A CLASS 1 ISO/CE
1802471	INSERT, CORIAN 280DA-06 STOVE BRNT AMBR BUTNE
1745158	LABEL, FUEL RECOMMENDATION/LP GAS WARNING
1743616	LABEL, UNPLUG SHORE POWER WARNING
1060060	STOVE, BUTANE SGL BURNER W/GLASS LID/POT HOLD
1433176	VENT, FUEL/WATER SS 5/8" 90DEG FLSH MNT

BOATER SAFETY KIT

1848242	KIT, SAFETY PACKAGE-SPCRUIS W/WHT FNDRS/LINE
1848243	KIT, SIGNAL ORION FLARE

TV - FLAT SCREEN W/ DVD

1180041	ANTENNA, TV AMP W/SHIP/ShORE A/B SW 12/24VDC
792325	ANTENNA, TV GLOMAX ASSY W/CONN
294926	BASE, TV PULL-OUT SWIVEL ONLY
627737	BOX, RECEPTACLE/SWITCH PVC 1-GANG DEEP
1755388	BRACKET, TV (LCD) WALL MOUNT OMNI
1779735	CABLE, COAXIAL RG6 1000' WHT
864306	CONN, COAX 'F' TWIST-ON
1812977	CONN, COAX ADAPTER 90 DEG MALE/FEM "F" TYPE
1556935	CORD SET, TV CABLE 14FT F/F 280DA-01 SPOILER
1657691	CORD SET, TV CABLE 3PC 280DA-02 HULL
136085	CORD SET, TV CABLE 50FT
1787521	COVER PLATE, SGL DUPLEX RECEPT BLK LVT
1817493	DVD, KEC 12V DVD3 DIN
1759176	EXTENSION, CABLE A/V 6' RCA W/MALE CONN
133694	INLET, PHONE/TV CABLE COMBO WHT
1744739	LABEL, SECURE TELEVISION (LEXAN)
1813842	MOUNTING KIT, SLEEVE FOR DVD2
226530	PANEL, LAM 1/2" 4X8 BLK MATTE/RAW BACK G1S
1818821	PANEL, LAM 1/2" 4X8 BLSM CHERRY G2S W/BLK/PC
808766	PLATE, PLEX 330DA PULLOUT TV BASE FACE W/LTCH
1787506	RECEPTACLE, DUPLEX BLACK 15A

TV - FLAT SCREEN W/ DVD (continued)

1852692	TELEVISION, 15"LG LCD HDTV BLK W/BTM SPKR
1805175	TELEVISION, 15.1" LG LCD HDTV W/BTM SPKR

FIRE SUPPRESSION FM 200 - INTERNATIONAL

1642263	FIRE EXT SYS, FM200 150CF GAS/DSL-MAN/AUTO
---------	--

GRAY WATER SYSTEM

263954	CLAMP, HOSE #10 1/2"-1 1/8" SS .505
123927	HOSE, CORR BILGE 1.25" BLK
123885	HOSE, CORR BILGE 3/4" BLK
1768876	LABEL, 1/2"X 1.5" DRAIN
1751566	LABEL, 1/2"X 1.5" GALLEY SINK
1745161	LABEL, 1/2"X 1.5" VANITY SINK
1882428	TEE, POLY 3/4"BARB X 3/4"BARB X 3/4"BARB
141523	TEE, PVC 3/4"BARB X 3/4"BARB X 3/4"BARB
1778929	THRU-HULL, SS 3/4"BARB SHORT W/RBR GASKET

TRANS-SHIELD COVER (SHIPPING COVER)

1766055	VINYL FILM, 280DA-04 PLAS CVR
---------	-------------------------------

SHIP WATER READY

579573	CLIP, RETAINER BOAT HOOK 5/8"TO 1 1/4"
796912	FENDER, 8"X 20" WHT #1026
1581099	FIRE EXT, DRY CHEM HAND-HELD 1A 10BC 2.5OLB
159244	HOOK, ALUM BOAT HOOK
184341	KIT, FIRST AID
184358	KIT, SIGNAL GUN KIT
184366	RING BUOY, RESCUE RING BUOY 20"
187351	ROPE, NYLON DOCKLINE 1/2"X 30'
773481	TUBE, SIGNAL KIT 12" "UTILITUBE" W/ORANGE LID

BOTTOM PAINT (STERN DRIVES) WHITE HULL ONLY

1355338	PAINT, BOTTOM BLACK HYDROCOAT
946152	PAINT, PRIMER METAL #6455/044
1271147	PAINT, PRIMER METAL #6627
868893	PAINT, PRIMER SANDLESS #6999
325191	PLUG, RED BRASS DRAIN 1/2"MPT W/FLANGE
1574342	TRIM TAB, ASSY 14X14 SPECIAL W/O PUMP

AIR CONDITIONING / HEATING - 120V/60

1604263	A/C COMP, CABLE INTERCONNECT 15'
1759845	A/C COMP, COMPACT 10K SXF10-1 115V 50/60HZ
1165091	A/C COMP, DEFUSER 14X7 CLW W/FILTER
1604271	A/C COMP, DISPLAY ECU BLK W/3/4" DOOR
1581966	A/C COMP, GRILL 4" RND W/O DA BLK
948273	A/C COMP, HOSE FITTINGS FOR PMP500
948968	A/C COMP, HOSE RING 3" PLAS ROUND
957092	A/C COMP, HOSE RING 5" OBLONG
1517903	A/C COMP, PLENUM 4X5X3"W/4.5"X 5.5"X 5.5"SIDS
948265	A/C COMP, PUMP SEAWATER 115V
531426	ADAPTER, BRZ 3/4"MPT X 3/4"BARB
522813	BOX, RECEPTACLE PVC SURFACE MOUNT CARLON
135210	CABLE, MARINE STRANDED 10/3
135202	CABLE, MARINE STRANDED 12/3
135228	CABLE, MARINE STRANDED 14/3 BLK/GRN/WHT
135251	CABLE, MARINE STRANDED 8/3
263954	CLAMP, HOSE #10 1/2"-1 1/8" SS .505
256677	CLAMP, HOSE #12 1/2"-1.25" SS .505
1376474	CONN, NYLON 1/2" FLAT CORD GRIP WATERPROOF
1478841	CONN, NYLON 1/2" ROUND SKIN TOP WATERPROOF
147397	COVER PLATE, CARLON BOX SGL
169193	ELBOW, BRZ 90DEG 3/4"MPT X 3/4"BARB
1486620	HARNESS, 280DA-01 GROUNDING
720169	HOSE, AC/DUCT 3"
720177	HOSE, AC/DUCT 4"
720185	HOSE, AC/DUCT 5"
123810	HOSE, GEN PURPOSE 3/4"
1058957	HOSE, WATER A/C WHT 5/8"
1751884	LABEL, 1/2"X 1.5" A/C CONDENSATE
531574	PICK-UP, BRZ WATER INTAKE 3/4"
518431	SEACOCK, BRZ 3/4" W/O TAILPIECE
1791584	STRAINER, BRZ WATER INTAKE 3/4" W/NYLON STRAP
1778933	THRU-HULL, SS 5/8"BARB SHORT W/RBR GASKET

AIR CONDITIONING / HEATING - 220V/50

1604263	A/C COMP, CABLE INTERCONNECT 15'
1769422	A/C COMP, COMPACT 10K SMXII 220V 50HZ GG
1165091	A/C COMP, DEFUSER 14X7 CLW W/FILTER
1604271	A/C COMP, DISPLAY ECU BLK W/3/4" DOOR
1581966	A/C COMP, GRILL 4" RND W/O DA BLK

AIR CONDITIONING / HEATING - 220V/50 (continued)

948273	A/C COMP, HOSE FITTINGS FOR PMP500
948968	A/C COMP, HOSE RING 3" PLAS ROUND
957092	A/C COMP, HOSE RING 5" OBLONG
1517903	A/C COMP, PLENUM 4X5X3"W/4.5"X 5.5"X 5.5"SIDES
948349	A/C COMP, PUMP SEAWATER 230V
531426	ADAPTER, BRZ 3/4"MPT X 3/4"BARB
522813	BOX, RECEPTACLE PVC SURFACE MOUNT CARLON
1626803	CABLE, MARINE UL BOAT 10/3 EURO
1626795	CABLE, MARINE UL BOAT 12/3 EURO
1646900	CABLE, MARINE UL BOAT 14/3 EURO
1626787	CABLE, MARINE UL BOAT 8/3 EURO
263954	CLAMP, HOSE #10 1/2"-1 1/8" SS .505
256677	CLAMP, HOSE #12 1/2"-1.25" SS .505
1376474	CONN, NYLON 1/2" FLAT CORD GRIP WATERPROOF
1478841	CONN, NYLON 1/2" ROUND SKIN TOP WATERPROOF
147397	COVER PLATE, CARLON BOX SGL
169193	ELBOW, BRZ 90DEG 3/4"MPT X 3/4"BARB
1486620	HARNES, 280DA-01 GROUNDING
720169	HOSE, AC/DUCT 3"
720177	HOSE, AC/DUCT 4"
720185	HOSE, AC/DUCT 5"
123810	HOSE, GEN PURPOSE 3/4"
1058957	HOSE, WATER A/C WHT 5/8"
1751884	LABEL, 1/2"X 1.5" A/C CONDENSATE
531574	PICK-UP, BRZ WATER INTAKE 3/4"
518431	SEACOCK, BRZ 3/4" W/O TAILPIECE
1791584	STRAINER, BRZ WATER INTAKE 3/4" W/NYLON STRAP
1778933	THRU-HULL, SS 5/8"BARB SHORT W/RBR GASKET

220 VOLT / 50 CYCLE ELECTRICAL SYSTEM

627737	BOX, RECEPTACLE/SWITCH PVC 1-GANG DEEP
975037	BRKR, IDEA 230V 2P EURO GFCI 16A 10MA WHT
826867	BRKR/TOGGLE, 2-POLE AC MED DELAY 25A
1204064	BULB, PLUTO 220V
1626803	CABLE, MARINE UL BOAT 10/3 EURO
1646900	CABLE, MARINE UL BOAT 14/3 EURO
1745132	CONVERTER, 20AMP 120/220 50/60HZ 12VDC REV 1
206268	CORD SET, 220V/50H 16A 50FT
975029	COVER PLATE, IDEA-SERIES 3-GANG WHT
893289	FRAME, IDEA-SERIES 3-GANG SUPPORT FRAME GREY
1806131	HARNES, 280DA-06 CABIN 220V
1156728	HEATER, WATER 6 GAL 220/50 W/75-210T&P
206276	INLET, SHORE POWER WHT 220V/50H 16A
1793050	MICROWAVE, SYLVANIA 0.5CF BLK 220V
1508977	PANEL, 280DA-01 AC MDP 220/50
1787551	RECEPTACLE, GERMAN STD MOS WHT(SNAP CVR) LVT
1787565	RECEPTACLE, LEVITON EXT W/CVR 220/50 GERMAN
1671064	REFRIGERATOR, 2.7 CF AC/DC 220/50
583906	RELAY, 240VAC 50/60 HZ 20 AMP DPDT
1494459	STOVE, ELEC 1-BURNER CARIBBEAN COOKTOP 240
975011	SWITCH, BLANK IDEA-SERIES WHT

GEL-COATED DASH - OPTIONAL

1472802	COMPASS, FLUSH MT 4 3/16" BLK
1799558	DOOR, STRG W/13"X 25" NCKL FRAME W/SS STHCO
1799861	GEL COAT, NICKLE MMHP
1799559	INSERT, HDPE 280DA-05 THRTL BOX/DRNKHLDR NCKL
1802210	NOSING, VINYL 1"X 1/4"X 10' WARM GRY/NCKL
1802211	TRIM, PLAS ANGL 15/16"X15/16" TAPRD WRMGY/NKL

MERCATHODE II (2) TWINS

587808	ACC PART, MERCATHODE
--------	----------------------

WINDLASS - ROPE / CHAIN

140509	BOOT, ENG STARTER RED
835819	BRACKET, ALUM 1"X 1"X 6" 3/16"HOLES
835843	BRACKET, ALUM 1"X 1/2"X 3" 3/16"HOLES 2SIDES
1148121	BRKR, SURF MNT THERMAL 60AMP MANUAL RESET
829432	BUSS BAR, DBL POST 5/16"
130807	CABLE, BATT BLK #2/0AWG
184051	CABLE, BATT RED #2/0AWG
1759250	CABLE, BATT SET 280DA-04 WNDLS KIT
609883	CLEAT, PLAS 3/4"X 1"X 4" GREY
154831	CONN, RING 16/14GA X 3/8R W/INSUL
1596923	FUSE HOLDER, BLADE TYPE ACCY 10A
1746896	LABEL, DANGER STAY CLEAR OF MOVING PARTS
1745518	LABEL, WINDLASS BRKR
1196641	PAD, HDPE 340DA-99 CHAIN GUARD ARW
1745351	ROPE/CHN KT, LOFRANS 1/2"X 100'/1/4"X 20'REV1
644609	SOLENOID, MAGNET LATCHING 12V 100A/500A W/HDW

WINDLASS - ROPE / CHAIN (continued)

651869	SOLENOID, MAGNET LATCHING LEAD ONLY
1126754	TIE, CABLE 15.5" SCREW MNT BLK SS BARB
757765	WINDLASS FOOTSWITCH, HVY DUTY W/SAFTY CVR WHT
1788185	WINDLASS SOLENOID, LOFRANS CONTROL BOX 05
1848989	WINDLASS, RP/CHN ASTER 700 W/2-FTSW/SLNOID
1727010	WINDLASS, RP/CHN MARLINI LO-PRO W/LONGSTUD

WINDLASS - CHAIN

1145275	ANCHOR SHACKLE, JAW/JAW SWIVEL HVY DTY 3/8"
140509	BOOT, ENG STARTER RED
835819	BRACKET, ALUM 1"X 1"X 6" 3/16"HOLES
835843	BRACKET, ALUM 1"X 1/2"X 3" 3/16"HOLES 2SIDES
1148121	BRKR, SURF MNT THERMAL 60AMP MANUAL RESET
829432	BUSS BAR, DBL POST 5/16"
130807	CABLE, BATT BLK #2/0AWG
184051	CABLE, BATT RED #2/0AWG
1759250	CABLE, BATT SET 280DA-04 WNDLS KIT
1048743	CHAIN STOP, SS W/LANYARD (WINDLINE)
1801007	CHAIN, HIGH TEST 1/4"X 100' GALV
609883	CLEAT, PLAS 3/4"X 1"X 4" GREY
154831	CONN, RING 16/14GA X 3/8R W/INSUL
1596923	FUSE HOLDER, BLADE TYPE ACCY 10A
1031715	GUARD, HDPE 1/2"X 5.25"X 6" WINDLASS CHAIN
1746896	LABEL, DANGER STAY CLEAR OF MOVING PARTS
1745518	LABEL, WINDLASS BRKR
644609	SOLENOID, MAGNET LATCHING 12V 100A/500A W/HDW
651869	SOLENOID, MAGNET LATCHING LEAD ONLY
1126754	TIE, CABLE 15.5" SCREW MNT BLK SS BARB
757765	WINDLASS FOOTSWITCH, HVY DUTY W/SAFTY CVR WHT
1788185	WINDLASS SOLENOID, LOFRANS CONTROL BOX 05
1848989	WINDLASS, RP/CHN ASTER 700 W/2-FTSW/SLNOID
1727010	WINDLASS, RP/CHN MARLINI LO-PRO W/LONGSTUD

C E OPTION GROUP

256693	CLAMP, HOSE #24 1"-2" SS .505
256701	CLAMP, HOSE #28 1 5/16"-2.25" SS .505
1642263	FIRE EXT SYS, FM200 150CF GAS/DSL-MAN/AUTO
726273	HOOK, RINGHLDR W/SNAP STRAP WHT
490219	HOSE, CORR SAN/WATER-FILL 1.5" RH
123778	HOSE, FUEL 5/8" TYPE A CLASS 1 ISO/CE
1745514	LABEL, PREVENT DISCHARGE OF POLLUTANTS
1691479	MANUAL, OWNERS - SEA RAY INT'L 12-LANGUAGE
1142520	PLATE, CE OPT B:10PERSON/1180KG
604959	PUMP, BILGE 16GPM MANUAL THRU DECK MNT
801563	PUMP, BILGE MANUAL PICKUP/STRAINER
1778926	THRU-HULL, SS 1"BARB SHORT W/RBR GASKET
1778928	THRU-HULL, SS 1.5"BARB SHORT W/RBR GASKET

2.2 TO 1 BRAVO 3 HIGH ALTITUDE GEAR RATIO

1778015	OUTDRIVE UNIT, MERC BRAVO III 2.20:1 '05
---------	--

T-1.81 TO 1 ALPHA HIGH ALTITUDE GEAR RATIOS

1076918	OUTDRIVE UNIT, MERC ALPHA 1.81:1
1090851	OUTDRIVE UNIT, MERC ALPHA 1.81:1 CR

2.43 TO 1 BRAVO 3 HIGH ALTITUDE GEAR RATIO

1778005	OUTDRIVE (HI-ALT), MERC BR-III 2.43:1 '05
---------	---

COLOR HULL

1799711	GEL COAT, MMHP MIDNIGHT BLUE
1355338	PAINT, BOTTOM BLACK HYDROCOAT
946152	PAINT, PRIMER METAL #6455/044
1271147	PAINT, PRIMER METAL #6627
868893	PAINT, PRIMER SANDLESS #6999
325191	PLUG, RED BRASS DRAIN 1/2"MPT W/FLANGE
1753015	TAPE, SOLID 3" WHT/WELL AMETHYST N/VOID
1574342	TRIM TAB, ASSY 14X14 SPECIAL W/O PUMP
1766055	VINYL FILM, 280DA-04 PLAS CVR

VACUUM FLUSH HEAD W/ DIRECT OVER BOARD INTL

1210178	ADAPTER, SEATECH 1/2"F-15MM BRASS
256693	CLAMP, HOSE #24 1"-2" SS .505
123604	CLAMP, LOOM VINYL DIP 2.5"
1215235	CLIP, SEATECH COLLET 15MM
154856	CONN, RING 8GA X 10R .374 W/INSUL ELONG
154849	CONN, RING 8GA X 3/8R .583 W/INSUL
531566	ELBOW, BRZ 90DEG 1.5"MPT X 1.5"BARB
1214832	ELBOW, SEATECH 90DEG EQUAL 15MM
1745156	LABEL, NOTICE OVERBOARD DISCHARGE (LEXAN)
518456	SEACOCK, BRZ 1.5" W/O TAILPIECE

VACUUM FLUSH HEAD W/ DIRECT OVER BOARD INTL (continued)

1789706 TEE, ZURN 1/2" BARB
579870 THRU-HULL, BRZ 1.5" W/O NUT
1210160 TUBING, SEATECH 15MM X 11MM X 250' BLUE

ALCOHOL / ELEC.STOVE- 120V/60 (1 BURNER)

123778 HOSE, FUEL 5/8" TYPE A CLASS 1 ISO/CE
1802472 INSERT, CORIAN 280DA-06 STV BRNTAMBR ALC/ELEC
1745158 LABEL, FUEL RECOMMENDATION/LP GAS WARNING
1763796 RAIL, STOVE 1-BURNER ALCOHOL
729954 STOVE, ALC/ELEC 1-BURNER W/BLK GLASS LID 110V

ALCOHOL / ELEC.STOVE- 220V/50 (1 BURNER)

123778 HOSE, FUEL 5/8" TYPE A CLASS 1 ISO/CE
1802472 INSERT, CORIAN 280DA-06 STV BRNTAMBR ALC/ELEC
1745158 LABEL, FUEL RECOMMENDATION/LP GAS WARNING
1763796 RAIL, STOVE 1-BURNER ALCOHOL
729962 STOVE, ALC/ELEC 1-BURNER W/BLK GLASS LID 220V

CANADIAN CONFORMITY STICKER

1741221 LABEL, STICKER 280DA CANADIAN CONFORMITY

BUTANE STOVE - CE APPROVED

123778 HOSE, FUEL 5/8" TYPE A CLASS 1 ISO/CE
1802471 INSERT, CORIAN 280DA-06 STOVE BRNT AMBR BUTNE
1745158 LABEL, FUEL RECOMMENDATION/LP GAS WARNING
1743616 LABEL, UNPLUG SHORE POWER WARNING
1389402 STOVE, BUTANE SGL BURNER W/GLS LID/POT HLD CE
1433176 VENT, FUEL/WATER SS 5/8" 90DEG FLSH MNT

"315DA" MODEL DESIGNATORS

1734158 EMBLEM, MODEL DESG 315 URETHANE BLK