

**2006 290DA**

**PARTS MANUAL**

**290**

**SUNDANCER®**

International - 325 SUNDANCER



Sea Ray® Parts Manual, 2006 290 SUNDANCER MRP # 1808049

Sea Ray Boats, 2600 Sea Ray Blvd., Knoxville, TN 37914. For information call 1-800-SRBOATS or fax 1-314-213-7878 (USA and International).

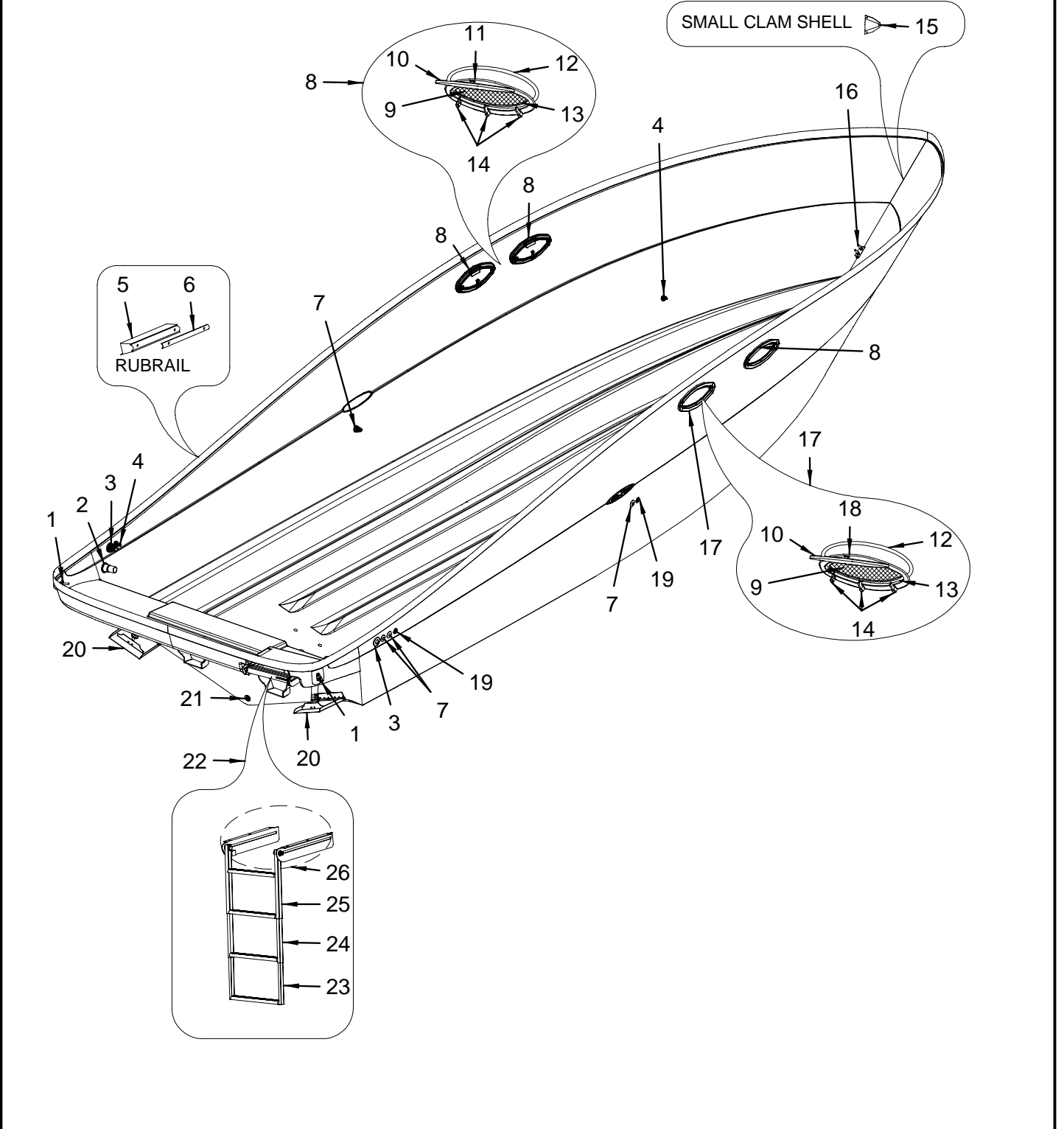
Internet address: <http://www.searay.com>

Note: Not all accessories shown in pictures or described herein are standard equipment or even available as options.

Options and features are subject to change without notice.

Confirm the availability of all accessories and equipment with an authorized Sea Ray® dealer.

EXTERIOR (HULL)



**EXTERIOR (HULL)**

1	1766178	EYE, BOW 1/2"X 4.75"SS W/BEUTY & BCKNG PLATES
2	1769255	THRU-HULL, SS EXHAUST 2" W/SS LIP (GENERATOR)
3	1778928	THRU-HULL, SS 1.5"BARB SHORT
4	1778933	THRU-HULL, SS 5/8"BARB SHORT
5	1673565	RUBRAIL, PVC ARCWHT 19"SS INSERT 1.825"WIDE
6	1080100	INSERT, RUB RAIL SS 3/4"X 12' (.062/304SS)
7	1778931	THRU-HULL, SS 1 1/8"BARB SHORT
8	1453992	PORTLIGHT, OPENING ALL SS 3/8"-7/8" MOD REV1
9	1331313	PORTLIGHT, SCREEN 3/8"X 7/8"
10	1331750	PORTLIGHT, LENS ONLY (BOMAR)
11	866434	KNOB, PORTLIGHT KNOB ONLY (BOMAR)
12	1513183	TRIM RING, PORTLIGHT 3/8" SS
13	1331735	PORTLIGHT, GASKET ONLY (BOMAR)
14	1107044	PORTLIGHT, HANDLES QUICKDOGS (BOMAR)
15	533430	VENT, CLAMSHELL ROPE LCKR 2"X2"
16	126599	EYE, STERN 1/2"X 3 7/16" W/BACKING PLATE
	1473040	PLATE, BACKING UNIVERSAL 3/16"
17	1454008	PORTLIGHT, OPENING ALL SS 3/8"-7/8" FROS REV1
18	1331727	PORTLIGHT, LENS ONLY FROSTED (BOMAR)
19	1778929	THRU-HULL, SS 3/4"BARB SHORT
20	1574342	TRIM TAB, ASSY 14X14 SPECIAL W/O PUMP
	1110071	TRIM TAB, HYD PUMP KIT W/10"HOSE/3"NIPPLE
	841825	SHIM, PVC TRIM TAB PUMP BLK
21	325191	PLUG, RED BRASS DRAIN 1/2"MPT W/FLANGE
	162263	PLUG, BRASS 1/2" MPT DRAIN SPARE
22	1763085	LADDER, SWIM 4-STEP SS UNDRMNT TELESCPNG 5DEG
23	1759984	LADDER, SWIM SS TELESCOP LWR 16.5"X 14.5"
24	1759990	LADDER, SWIM SS TELESCOP 16.5"X 16" MID
25	1759989	LADDER, SWIM SS TELESCOP 16.5"X 16" UPR
26	1759988	LADDER, SWIM SLIDING GUDGEON 19.25"X 19" SS

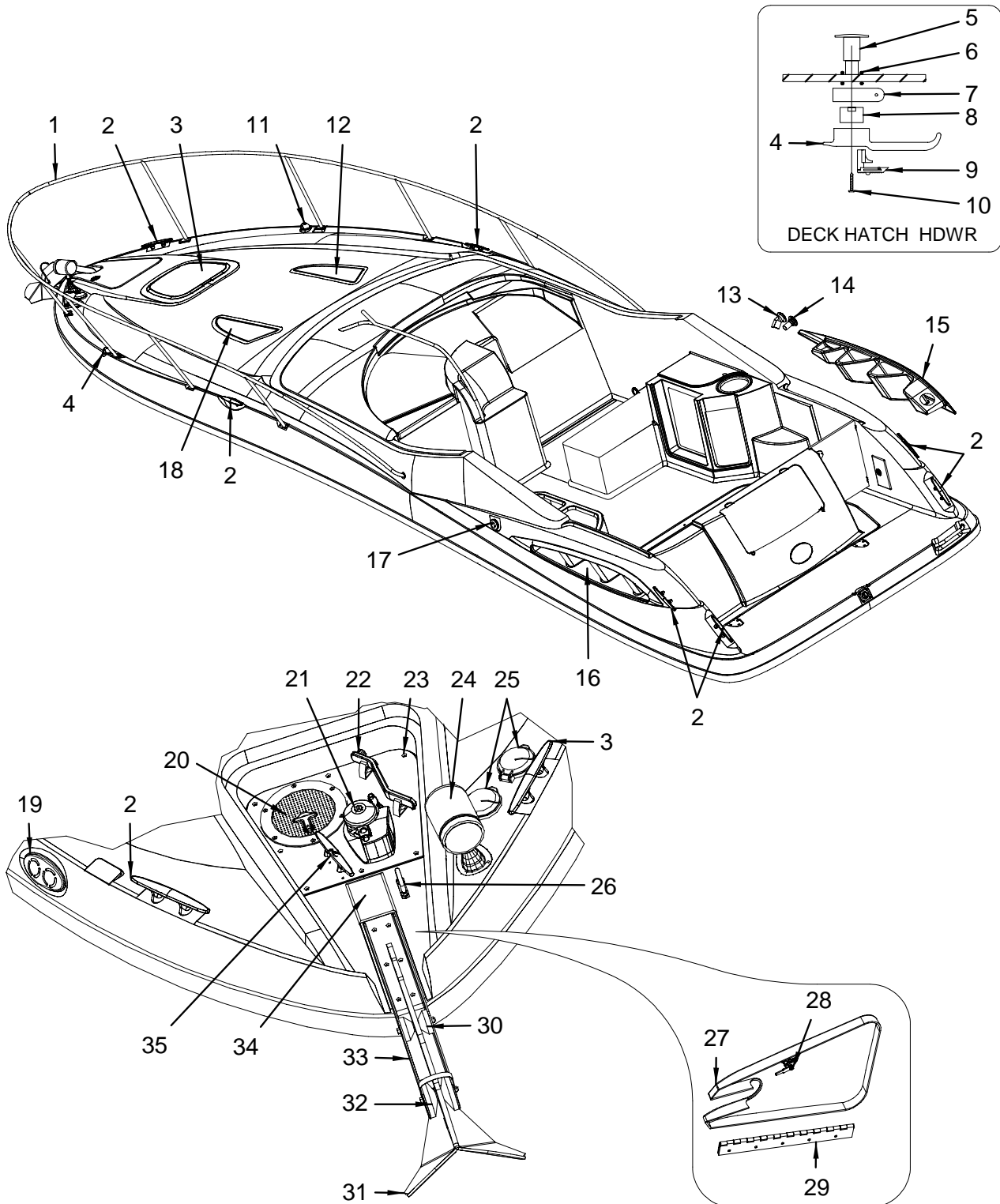
**LABELS**

1573112	LABEL, LADDER MAINTENANCE (HULL# 1201 -> 1435)
---------	---

**VAC PACK**

1444611	VINYL FILM, VAC PACK SHRINK 7MM X 20'X 298'
1766056	VINYL FILM, 290DA-06/300DA-04 PLAS CVR (TRANS-SHIELD COVER)
524868	VINYL FILM, VAC PACK ZIPPER DOOR 30"X 48"WHT
413070	TAPE, VAC PAK WHT (2"X 36YDS) PRESERVATION
642504	BUBBLE PACK, ADH 6"X 300'
1727511	EMBLEM, VACPAC SR LOGO W/ISO/CE SML
1743532	LABEL, SLING (LEXAN)

EXTERIOR (DECK)



EXTERIOR (DECK)

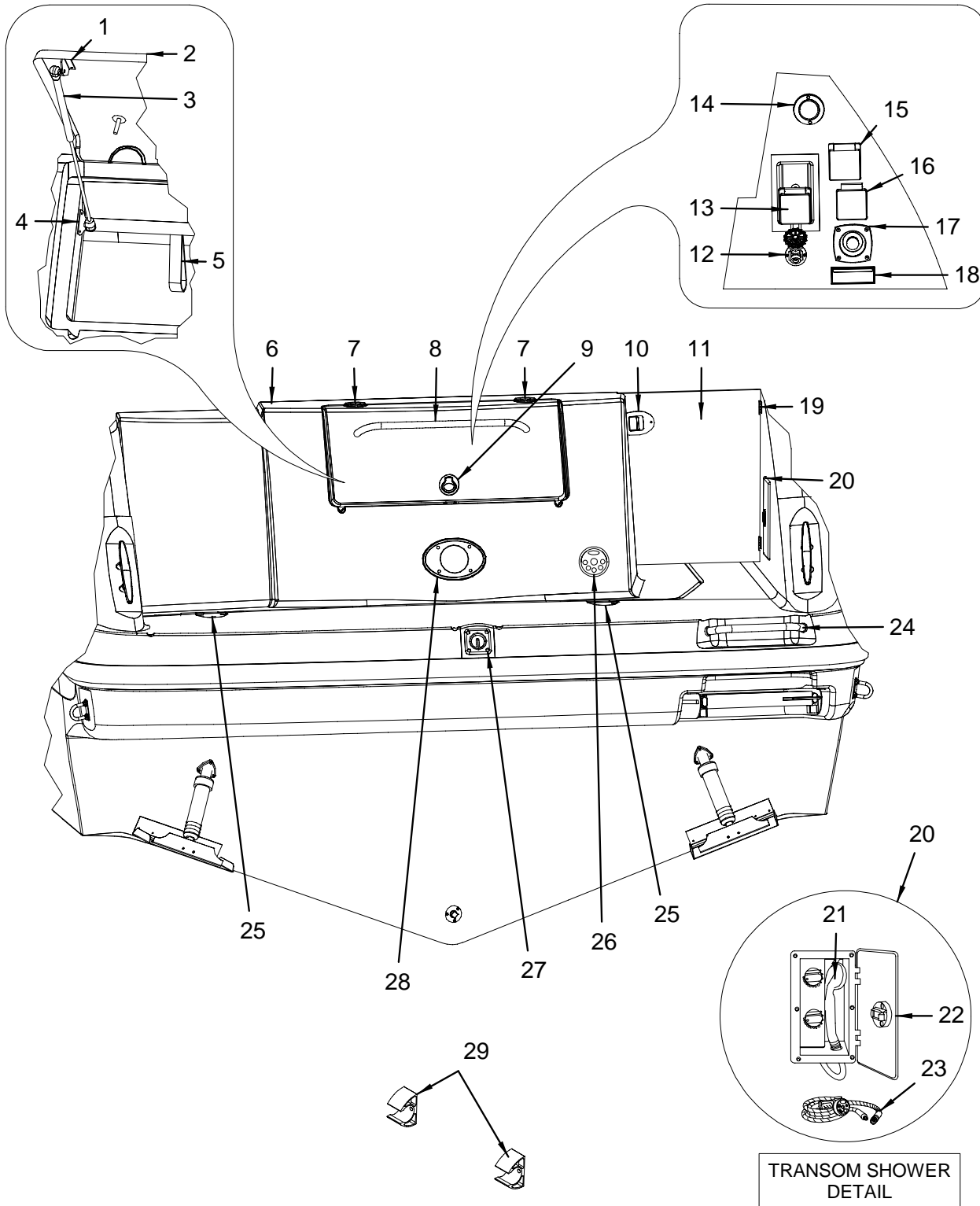
- 1 1793960 RAIL, BOW 290DA-06 CMPLT WELDED
- 1808625 PLATE, BACKING BOW RAIL RECT 1 5/8"X 3"
- 2 1777988 CLEAT, 10" SEA RAY SS 2-BOLT
- 1473057 PLATE, BACKING CLEAT 1/4"X 2.5"X 5"
- 3 1688217 HATCH, DECK TRAPEZOID ARC WHT
- 1745363 GASKET, DECK HATCH TRAPEZOID
- 4 802827 HATCH, HATCH HANDLE
- 5 632794 HATCH, ALL HATCH SIZES MUSHROOM OR POST
- 6 632778 HATCH, O-RING
- 7 701466 HATCH, ARM UNIV PIVOT ALL SIZES
- 701458 HATCH, DECK KNOB ULTRA 92/93
- 800862 ARM, DECK HATCH TELESCOPE SHORT BDY BLK PLAS
- 8 802819 HATCH, ALL HATCH SIZES PIVOT LATCH ADAPTER
- 9 802801 HANDLE, DECK HATCH LATCHING
- 10 802793 HATCH, SCREW 3/8" PLEX
- 11 1771013 LIGHT, NAV SIDE SS HORZ 12V W/CONN
- 1423946 BULB, REPL FOR #1414895 12V
- 1798179 LIGHT, NAV SIDE SS LENS CVR ONLY(RED/PRT)
- 1798182 LIGHT, NAV SIDE SS LENS CVR ONLY(GRN/STB)
- 12 1796241 SKYLIGHT, GLASS 290DA-06 GRY TINT W/BDR STB
- 13 1109362 DECK PLATE, WATER CHR W/VNT 45DG NCK BLUE
- 1068592 KEY, DECK PLATE CAP
- 1405844 DECK PLATE, CAP W/CHAIN WATER
- 14 1796538 DECK PLATE, WASTE CHR W/CAPD VNT 45DG NCK BLK
- 1474790 DECK PLATE, CAP W/GASKET
- 1068592 KEY, DECK PLATE CAP
- 15 1807347 290DA 06,VENT,DECK STB FBRGLS
- 791749 VENT, PLAS GRILL 4" WHT
- 1408210 MESH, BLACK VINYL NET
- 16 1807348 290DA 06,VENT,DECK PRT FBRGLS
- 791749 VENT, PLAS GRILL 4" WHT
- 1408210 MESH, BLACK VINYL NET
- 17 1109354 DECK PLATE, GAS CHR W/VENT 45DG NCK RED CODE
- 1213867 DECK PLATE, CAP W/CHAIN GAS (FOR #1109354)
- 1098615 DECK PLATE, GAS CHR W/VENT (SHIM ONLY)
- 1068592 KEY, DECK PLATE CAP
- 18 1795302 SKYLIGHT, GLASS 290DA-06 GRY TINT W/BDR PRT
- 19 1837054 HORN, SGL CONCEALED W/SS GRILL/CONN
- (HULL# 1449 -> UP)
- 1836433 HARNESS, HORN ADAPTOR FIAMM
- (HULL# 1449 -> UP)
- 1783020 HORN, DUAL TONE BLK W/PACKARD CONN
- (HULL# 1201 -> 1448)
- 1781252 HORN, GRILL SGL SS OVERLAY SERIES 84400-1
- (HULL# 1201 -> 1448)
- 20 653238 ACCESS PLATE, PLAS T-HANDLE 6" WHT
- 21 1727010 WINDLASS, RP/CHN MARLINI LO-PRO W/LONGSTUD
- (WINDLASS - LOFRANS MARLIN - ROPE/CHAIN)
- (WINDLASS - LOFRANS MARLIN - CHAIN)
- 1798149 PLATE, ALUM 1/4"X19.25"X15 7/8"X13"WNDLS MNTG
- (WINDLASS - LOFRANS MARLIN - ROPE/CHAIN)
- (WINDLASS - LOFRANS MARLIN - CHAIN)
- 22 1762713 WINDLASS, CRANK HANDLE MARLIN LO-PRO
- (WINDLASS - LOFRANS MARLIN - ROPE/CHAIN)
- (WINDLASS - LOFRANS MARLIN - CHAIN)
- 590646 CLIP, POLE STRG BLK - MAST LIGHT
- (WINDLASS - LOFRANS MARLIN - ROPE/CHAIN)
- (WINDLASS - LOFRANS MARLIN - CHAIN)
- 23 1798149 PLATE, ALUM 1/4"X19.25"X15 7/8"X13"WNDLS MNTG
- (WINDLASS - LOFRANS MARLIN - ROPE/CHAIN)
- (WINDLASS - LOFRANS MARLIN - CHAIN)
- 24 1754590 SPOTLIGHT, 5" SS GUEST
- (SPOTLIGHT, 5" REMOTE CONTROLLED)
- 1759435 BULB, REPL FOR #1754590 SPOTLIGHT
- (SPOTLIGHT, 5" REMOTE CONTROLLED)
- 1755306 CONTROL, SEARCH LIGHT N/HARNESS
- (SPOTLIGHT, 5" REMOTE CONTROLLED)
- 1756641 HARNESS, SPOTLIGHT ASSY 25' W/MALE CONN
- (SPOTLIGHT, 5" REMOTE CONTROLLED)
- 1501857 HOSE, CONDUIT/SPLIT 1.5" FLAME RETARDANT
- (SPOTLIGHT, 5" REMOTE CONTROLLED)
- 25 757765 WINDLASS FOOTSWITCH, HVY DUTY W/SAFTY CVR WHT
- (WINDLASS - LOFRANS MARLIN - ROPE/CHAIN)
- (WINDLASS - LOFRANS MARLIN - CHAIN)
- 1687161 COVER, PLAS SAFETY WINDLASS FOOTSWITCH
- (WINDLASS - LOFRANS MARLIN - ROPE/CHAIN)
- (WINDLASS - LOFRANS MARLIN - CHAIN)
- 1788185 WINDLASS SOLENOID, LOFRANS CONTROL BOX 05
- (WINDLASS - LOFRANS MARLIN - ROPE/CHAIN)
- (WINDLASS - LOFRANS MARLIN - CHAIN)
- 651869 SOLENOID, MAGNET LATCHING LEAD ONLY
- (WINDLASS - LOFRANS MARLIN - ROPE/CHAIN)
- (WINDLASS - LOFRANS MARLIN - CHAIN)
- 1801708 HARNESS, 290DA-06 WINDLASS CABLE/DISCONNECT
- (WINDLASS - LOFRANS MARLIN - ROPE/CHAIN)

- 25
- 1762153 (WINDLASS - LOFRANS MARLIN - CHAIN)
- HARNESS, 260DA-05 WINDLASS CONTROL
- (WINDLASS - LOFRANS MARLIN - ROPE/CHAIN)
- (WINDLASS - LOFRANS MARLIN - CHAIN)
- 835819 BRACKET, ALUM 1"X 1"X 6" 3/16"HOLES
- (WINDLASS - LOFRANS MARLIN - ROPE/CHAIN)
- (WINDLASS - LOFRANS MARLIN - CHAIN)
- 835843 BRACKET, ALUM 1"X 1/2"X 3" 3/16"HOLES 2SIDES
- (WINDLASS - LOFRANS MARLIN - ROPE/CHAIN)
- (WINDLASS - LOFRANS MARLIN - CHAIN)
- 26 126599 EYE, STERN 1/2"X 3 7/16" W/BACKING PLATE
- 697508 EYE, BOW 3/8"X 2.75"
- (LOCATED INSIDE ACCESS PLATE AREA TO CONNECT ROPE OR CHAIN)
- 1473040 PLATE, BACKING UNIVERSAL 3/16"
- (LOCATED INSIDE ACCESS PLATE AREA)
- 27 1807346 290DA 06,HATCH,R/L FBRGLS
- 28 1781437 LATCH, COMPRESSION 2"W/LOCKING SS
- (ORDER 1781437, 1781439 AND 1781440 TO GET COMPLETE LATCH)
- 1781439 CATCH, PAWL 2"OFFSET SHORT SS
- 1781440 PLATE, DEEP BRKT 2"W/HDWR PKG SS
- 29 1836186 HINGE, SS CONT 2"X 23" POLISHED
- (HULL# 1520 -> UP)
- 844746 HINGE, SS CONT 1.5"X 32" W/1/8"PIN
- (HULL# 1237 -> 1519)
- 140285 HINGE, SS CONT 2"X 72" (.225 CURL WIDTH)
- (HULL# 1201 -> 1236)
- 30 1395888 ROLLER, ANCHOR TOP (825604)
- 31 1733352 ANCHOR, 25LB PLOW
- 144956 ROPE, NYLON ANCHOR LINE W/THIMBLE 1/2"X 150"
- (USED ONLY WITHOUT WINDLASS)
- 1745351 ROPE/CHN KT, LOFRANS 1/2"X 100'1/4"X 20'REV1
- (WINDLASS - LOFRANS MARLIN - ROPE/CHAIN)
- 1801007 CHAIN, HIGH TEST 1/4"X 100'GALV
- (WINDLASS - LOFRANS MARLIN - CHAIN)
- 1048743 CHAIN STOP, SS W/LANYARD (WINDLINE)
- (WINDLASS - LOFRANS MARLIN - CHAIN)
- 1145275 ANCHOR SHACKLE, JAW/JAW SWIVEL HVY DTY 3/8"
- 819334 HOOK, SNAP 5/16"X 3 1/8" SS
- 805499 LANYARD, CABLE ANCHOR 1/8"X 16"SS
- 418632 LANYARD, W/TAB/RING
- 168468 DECK PIPE, ROPE/DECK PIPE SS
- (USED ONLY WITHOUT WINDLASS)
- 32 1395896 ROLLER, ANCHOR BTM (825604)
- 33 1246396 DAVIT, ANCHOR W/4"ROLLER 3/8"BAIL RV1
- 34 1805771 GUARD, HDPE 1/2"X 3 3/8"X 6" WNDLS CHAIN
- (WINDLASS - LOFRANS MARLIN - ROPE/CHAIN)
- (WINDLASS - LOFRANS MARLIN - CHAIN)
- 35 1777987 CLEAT, 8" SEA RAY SS 2-BOLT
- 793471 PLATE, BACKING UNIVERSAL 3/16"

LABELS

- 1746896 LABEL, DANGER STAY CLEAR OF MOVING PARTS
- 1811367 LABEL, DANGER CO TRANSOM 06

EXTERIOR (TRANSOM STORAGE AND SWIM PLATFORM)



**EXTERIOR (TRANSOM STORAGE AND SWIM PLATFORM)**

- 1 634550 BRACKET, SS GAS CYL 90DEG L-BRKT W/BALL LONG  
2 1811280 280DA 06.RTM.LID TRNSM WALL ARCW  
1581099 FIRE EXT, DRY CHEM HAND-HELD 1A 10BC 2.5OLB  
(SHIP WATER READY)  
159244 HOOK, ALUM BOAT HOOK  
(SHIP WATER READY)  
184341 KIT, FIRST AID  
(SHIP WATER READY)  
184358 KIT, SIGNAL GUN KIT  
(SHIP WATER REAY)  
184366 RING BUOY, RESCUE RING BUOY 20"  
(SHIP WATER READY)  
187351 ROPE, NYLON DOCKLINE 1/2"X 30"  
(SHIP WATER READY)  
579573 CLIP, RETAINER BOAT HOOK 5/8"TO 1 1/4"  
(SHIP WATER READY)  
773481 TUBE, SIGNAL KIT 12" "UTILITUBE" W/ORANGE LID  
(SHIP WATER READY)  
796912 FENDER, 8"X 20" WHT #1026  
(SHIP WATER READY)  
3 1425396 CYLINDER, GAS SS 30PSI 15"EXT X 9"COMP  
4 634592 BRACKET, SS GAS CYL FLAT W/BALL STUD  
5 855809 ROPE, DOCKLINE STRAP WHT W/HDWR (SHORT STYLE)  
6 1810596 290DA 06.HATCH,ETS MODULE  
1396142 MOLDING, FOAM RBR "D-SHAPE" 1.75" W/HAT ADH  
7 1338821 HINGE, SS STRAP 2.56" X 2.56" X 1/4"  
8 1810216 RAIL, GRAB 24" STRMLN TRNSM LID ANGLED 316L  
9 1781434 LATCH, FLUSH MNT N/LOCKING SLAM SS  
(ORDER 1781434, 1781435 AND 1499151 TO GET COMPLETE LATCH)  
1781435 PLATE, CUP BRKT 2"LONG SCREW W/HDWR PKG  
1499151 PLATE, STRIKER XL "L" SHAPED 316 SS  
10 1735577 LATCH, #78702 OMNI FLAT 3/4" N/LCK  
1688784 STRIKER, #7790 SS THNR OMNI FLAT CLSD POSTN  
1684899 DOOR KEEPER, #7709 BLK PLAS FOR OMNI 3/4"  
11 1794011 DOOR, PLEX 290DA-06 TRNSM W/LATCH & HDWR  
663708 BUMPER, CLEAR .020" THICK  
1687583 SWITCH, MAGNETIC TRANS DOOR GRY  
1046796 STOP, HDPE 310DA-98 TRNS DOOR 3/4"X 3/4"X 1.5  
1819791 SHIM, HDPE 3/4"X 1/2"TRNSM DOOR ARW  
12 1096262 FAUCET, SILLCOCK WASHDOWN (WHITECAP)  
13 829416 INLET, "MAIN BRKR" HOUSING WHT  
634998 BOX, V/F 7.75"X 5"X 3" BLANK  
582445 BRKR/TOGGLE, 2-POLE AC MED DELAY 35A  
826867 BRKR/TOGGLE, 2-POLE AC MED DELAY 25A  
(220V)  
14 1771003 LIGHT, COURTESY RND W/FRST LENS 12V/5W W/CONN  
1192368 BULB, REPL FOR #0840868 12V/5W  
15 133678 INLET, SHORE POWER WHT 125V 30A  
206276 INLET, SHORE POWER WHT 220V/50H 16A  
(220V)  
1244367 CORD SET, 120V/30A 50FT POWERCORD PLUS  
206268 CORD SET, 220V/50H 16A 50FT  
(220V)  
133652 ADAPTER, SHORE CORD 125V/30A(F)-125V/15A(M)  
16 133694 INLET, PHONE/TV CABLE COMBO WHT  
(TV 15" FLAT SCREEN W / DVD - SALON)  
136085 CORD SET, TV CABLE 50FT  
(TV 15" FLAT SCREEN W / DVD - SALON)  
145011 CONN, COAX TV CABLE MALE  
(TV 15" FLAT SCREEN W / DVD - SALON)  
17 141168 INLET, WATER W/PRESS REGULATOR WHT  
18 1745162 LABEL, LEAVING DOCKSIDE WTR CONNECTED WARNING  
19 1797136 HINGE, SS 1 7/8"X 1.5" GEM LUX 1678  
20 736702 FAUCET, WASHDOWN BOX W/MIXER (AQUATIK) VERT  
1298710 FAUCET, CARTRIDGE CERAMIC 90DEG LH  
1302504 FAUCET, CARTRIDGE CERAMIC 90DEG RH  
1302579 FAUCET, WASHDOWN SHOWER UNIT ONLY (AQUATIK)  
21 1302603 FAUCET, WASHDOWN SPRAYER HEAD ONLY(AQUATIK)  
22 1302587 FAUCET, WASHDOWN DOOR ONLY (AQUATIK)  
1742646 LATCH, WASHDOWN DOOR (AQUATIK)  
23 1302595 FAUCET, WASHDOWN HOSE W/FPT ONLY(AQUATIK)  
24 1691260 RAIL, GRAB 13.75" RND 1" TUBE SS  
25 1683753 HINGE, SS 320DA-02 CKPT HATCH  
1717451 PLATE, BACKING CKPT HATCH HINGE 1 3/16"X 8"  
1717452 PLATE, BACKING CKPT HATCH HINGE 4"X 4 13/16"  
26 1803477 STEREO, REMOTE CNTRL N/DSP/L BLK FACE/SS BZL  
(2ND STEREO REMOTE CONTROL -TRANSOM)  
1312750 CABLE, CLARION REMOTE EXTENSION CABLE 24'  
(2ND STEREO REMOTE CONTROL -TRANSOM)  
935080 CABLE, CLARION DUAL REMOTE "Y"  
(2ND STEREO REMOTE CONTROL -TRANSOM)

- 27 1811693 SKI EYE, TRANSOM FLSH MNT W/RVSD BCKNG PLATE  
1210038 PLATE, BACKING BOW RAIL ALUM 2" ROUND  
28 981092 INSERT, HDPE OVAL HAWSE HOLE ARW  
29 1500552 CLIP, TABLE LEG 60MM TUBE BLK

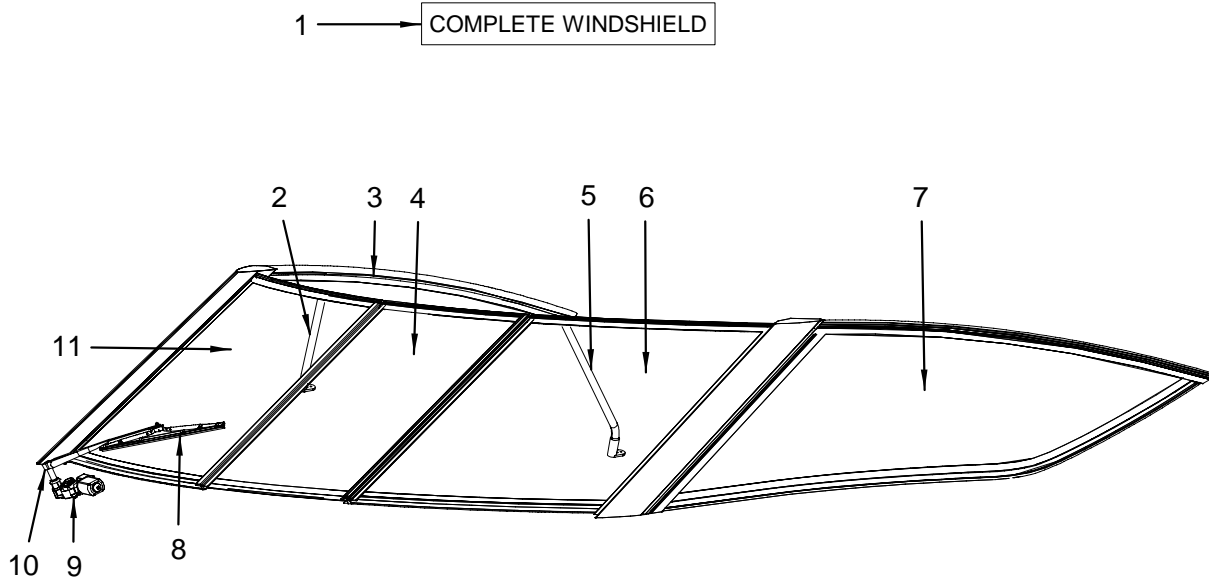
**LABELS**

- 1743616 LABEL, UNPLUG SHORE POWER WARNING  
1745125 LABEL, SKI TOW ROPE BACKLASH  
1743571 LABEL, DANGER TRANSOM DOOR (LEXAN)  
1751886 LABEL, NOTICE TRANSOM DOOR/HATCH LIFT  
1745519 LABEL, DANGER SHUT OFF ENG WHEN NEAR SWIMMERS

**NOT SHOWN**

- 1774634 LIGHT, UNDRWTR 12V/50W HALOGEN SEALED BEAM  
(LIGHT BULB NOT REPLACEABLE)

**EXTERIOR (WINDSHIELD)**



**EXTERIOR (WINDSHIELD)**

- 1 1808430 W/S, 290DA-06 ALUM CMPLT W/SNP CLICK TRK WHT
- 1808794 W/S, 290DA-06 SS CMPLT W/SNP  
(WINDSHIELD W/ STAINLESS STEEL FRAME)
- 1849843 W/S, 290DA-06 SS SUPPORT BARS P/S  
(WINDSHIELD W/ STAINLESS STEEL FRAME)
- 1849844 W/S, 290DA-06 SS HDWR KIT  
(WINDSHIELD W/ STAINLESS STEEL FRAME)
- 2 1793966 SUPPORT, W/S 290DA-06 STB
- 1837878 SUPPORT, SS W/S 290DA STB  
(WINDSHIELD W/ STAINLESS STEEL FRAME)
- 3 1801263 W/S, 290DA-06 ALUM STB WING W/SNP CLICK TRK
- 1849842 W/S, 290DA-06 SS STB WING  
(WINDSHIELD W/ STAINLESS STEEL FRAME)
- 4 1793964 W/S, 290DA-06 ALUM DOOR W/SNP CLICK TRK
- 1849840 W/S, 290DA-06 SS CTR  
(WINDSHIELD W/ STAINLESS STEEL FRAME)
- 334672 BUMPER, RECESSED WHT ROUND
- 156893 WEBBING, POLYPROPYLENE 1" BLACK
- 5 1793965 SUPPORT, W/S 290DA-06 PRT
- 1837877 SUPPORT, SS W/S 290DA PRT  
(WINDSHIELD W/ STAINLESS STEEL FRAME)
- 6 1793961 W/S, 290DA-06 ALUM PRT FRNT W/SNP CLICK TRK
- 1849838 W/S, 290DA-06 SS PRT FRNT  
(WINDSHIELD W/ STAINLESS STEEL FRAME)
- 7 1801262 W/S, 290DA-06 ALUM PRT WING W/SNP CLICK TRK
- 1849841 W/S, 290DA-06 SS PRT WING  
(WINDSHIELD W/ STAINLESS STEEL FRAME)

- 8 1748550 WIPER BLADE, 18" FLEX BLACK (AM)
- 9 1748562 WIPER MOTOR, 85 DEG (AM)
- 10 1748549 WIPER ARM, 15"-19" BLACK (AM)
- 11 1793963 W/S, 290DA-06 ALUM STB FRNT W/SNP CLICK TRK
- 1849839 W/S, 290DA-06 SS STB FRNT  
(WINDSHIELD W/ STAINLESS STEEL FRAME)

**LABELS**

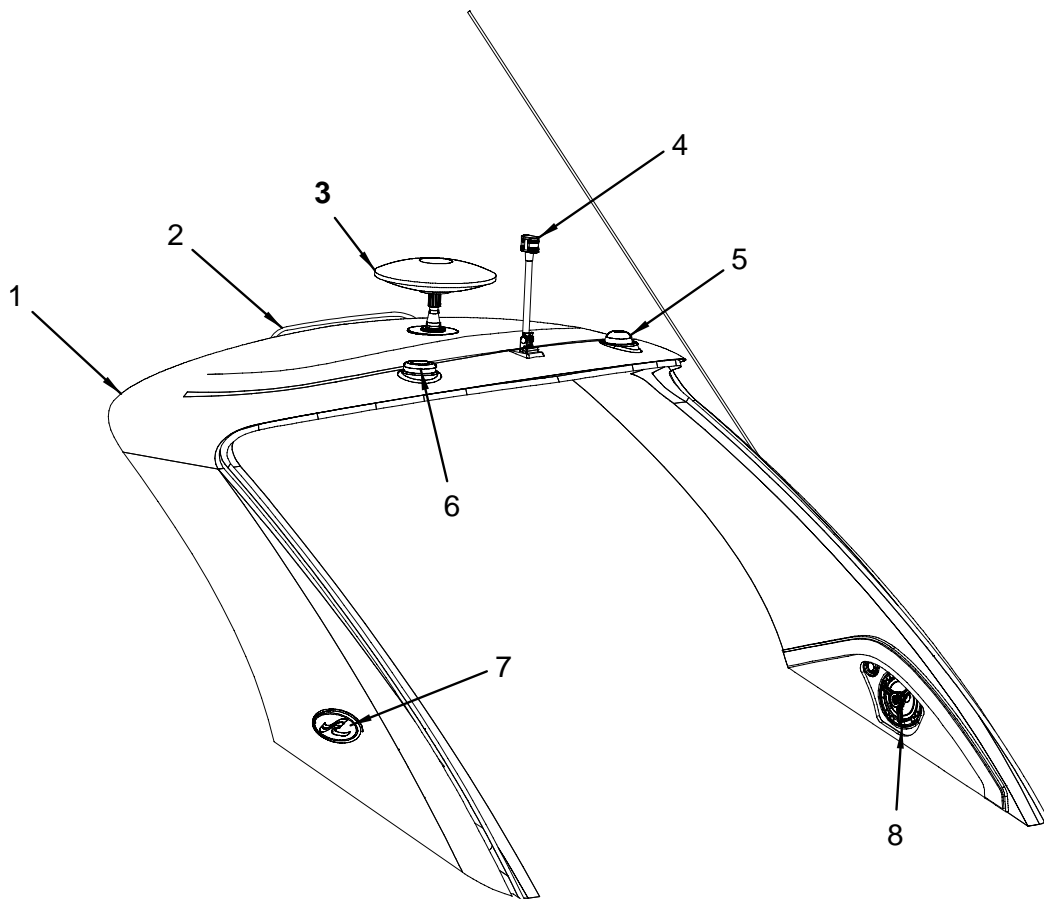
- 1750454 DECAL, SEA RAY OWNERS CLUB (NBOA) RV
- 1791388 DECAL, MERCURY CERTIFIED INSTALLER
- 1806416 DECAL, SIRIUS "NOW PLAYING INSIDE"
- 1808431 DECAL, SIRIUS ACTIVATION ORNG/BLUE 6 MONTH
- 129122 LABEL, NMMA CERTIFIED
- 1741221 LABEL, STICKER 280DA CANADIAN CONFORMITY  
(CANADIAN CONFORMITY STICKER)

**NOT SHOWN**

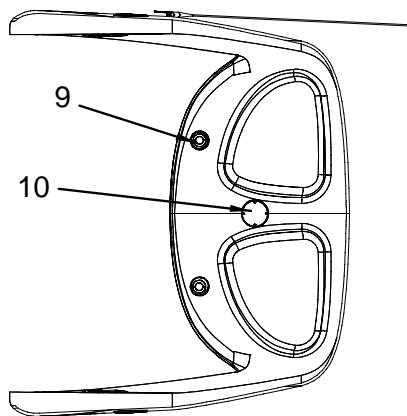
- 191635 TAPE, FOAM SGL FACE BLK VINYL 1/4"X 3/4"
- 1785544 VINYL, W/S GASKET 2005



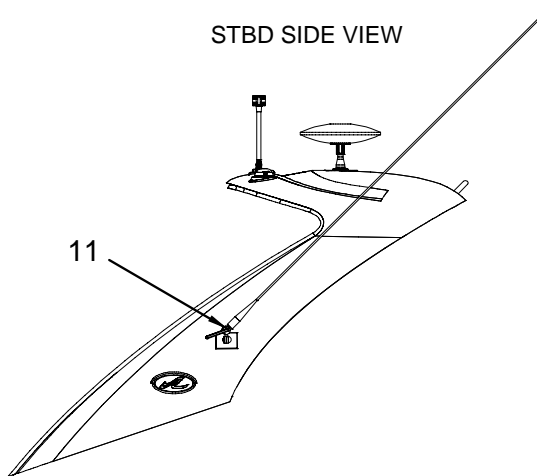
EXTERIOR (SPOILER)



BOTTOM VIEW



STBD SIDE VIEW



**EXTERIOR (SPOILER)**

- 1 1846856 FBRGLS PART, 290DA-06 SPORT SPOILER N/LIP  
(HULL# 1505 -> UP)
- 1794070 FBRGLS PART, 290DA-06 SPORT SPOILER  
(HULL# 1201 -> 1504)
- 2 1815691 RAIL, GRAB 1"OD X17.5"W/130DEG BNDS 316SS WHT
- 3 792325 ANTENNA, TV GLOMAX ASSY W/CONN  
(TV 15" FLAT SCREEN W / DVD - SALON)
- 1803748 MOUNT, ANTENNA TV GLOMAX ASSY W/CONN
- 4 1754418 LIGHT, NAV MASTHEAD COMBO #1181 W/18" WIRE
- 291203 BULB, MASTHEAD NAV LIGHT 24V/10W
- 646356 BULB, DBL END 12V FOR #0256313/794826
- 5 1792386 NAVIGATOR, NRTHSTR 6000I 6.4" CMLPT PKG  
(GPS / CHARTPLOTTER - NORTHSTAR 6000I)
- 1770976 NAVIGATOR, NRTHSTR 6000I GPS ANTENNA  
(GPS / CHARTPLOTTER - NORTHSTAR 6000I)
- 1770972 HARNESS, NRTHSTR 6000I RADAR INTERFACE CBL  
(GPS / CHARTPLOTTER - NORTHSTAR 6000I)
- 1800496 GPS, RAYSTAR RS125 SENSOR NMEA & SEATALK  
(CHARTPLOTTER / GPS - RAYMARINE- C70)
- 788711 MOUNT, ANTENNA DECK GPS SS  
(CHARTPLOTTER / GPS - RAYMARINE- C70)
- 881383 GASKET, GLOMAX TV GPS MOUNT BLK  
(CHARTPLOTTER / GPS - RAYMARINE- C70)
- 1807063 NAVIGATOR, NRTHSTR 6000I INSTALL KIT 6.4"
- 6 1757933 ANTENNA, SHAKESPEARE SATELLITE RADIO ANTENNA
- 7 1443225 EMBLEM, S/R WAVE 8" OVAL CHR TRNSM
- 8 1690557 SPEAKER, COAXIAL 6.5" N/CVR
- 1784476 SPEAKER, POLK/MOMO 6.5"MD-RNG/TWTR/CRSOVR WHT  
(PREMIUM COCKPIT SOUND SYSTEM - 12 VOLT)
- 9 1771016 LIGHT, NAV STERN FLSH MNT RND CHR/BRS W/CONN
- 901199 BULB, STERN NAV LIGHT REPL #137406-1227412
- 10 137349 ACCESS PLATE, PLAS CVR 5" WHT
- 11 1286913 ANTENNA, 8' VALOR 4000 W/O MNT W/O CONN
- 122853 FITTING, WATER TIGHT OUTLET FOR 5/16" CABLE
- 1481258 MOUNT, RATCHET VHF SS W/GROMET & GASKET

**HARNESSES**

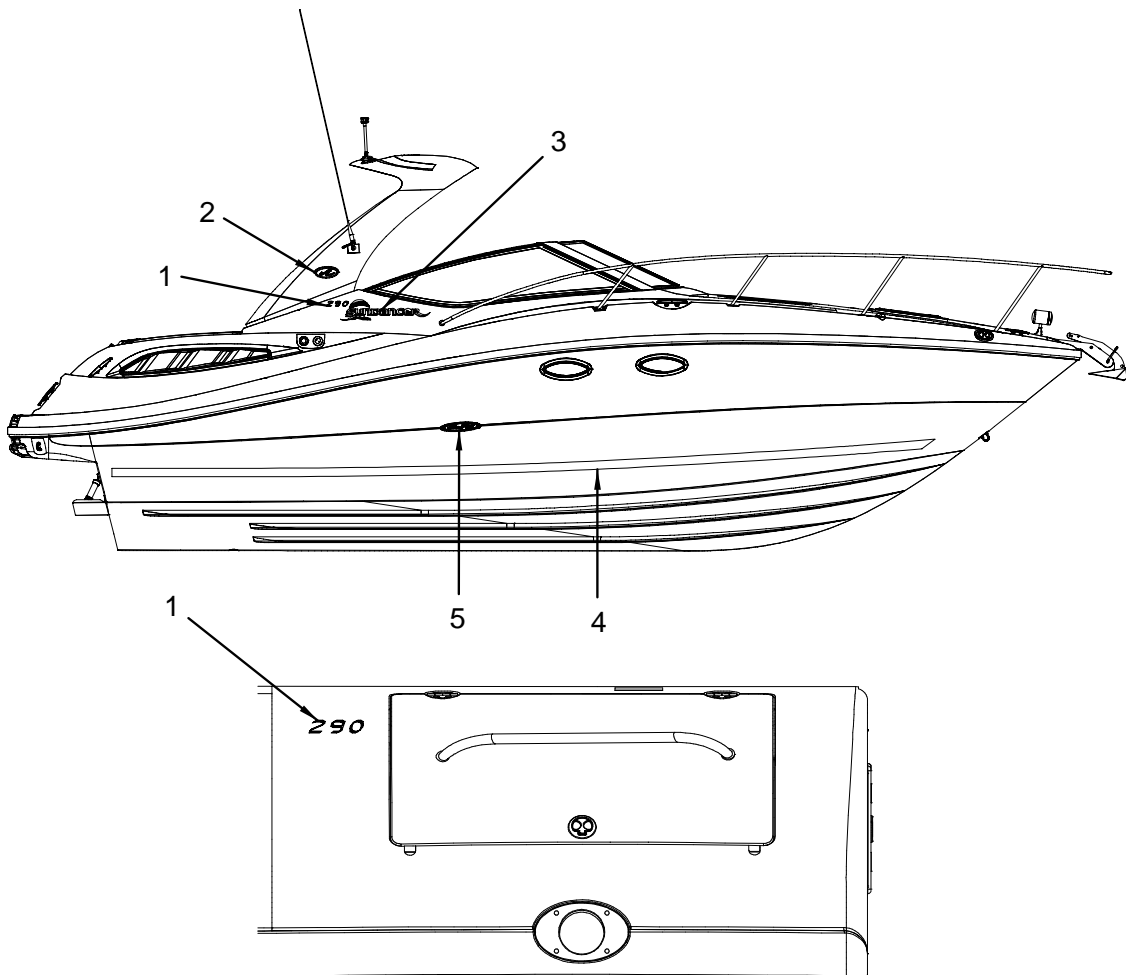
- 1801719 HARNESS, 290DA-06 SPOILER

**LABEL**

- 1765879 LABEL, DANGER DO NOT CLIMB/STORE ON HARDTOP

**NOT SHOWN**

- 1625078 PLATE, SS SPOILER MNT W/2STUD 1/2"X3.5"
- 728014 TRACK, VINYL AWNING WHITE "FLEX-A-RAIL" 7.5'

**EXTERIOR (GRAPHICS) BLACK****EXTERIOR (GRAPHICS) BLACK**

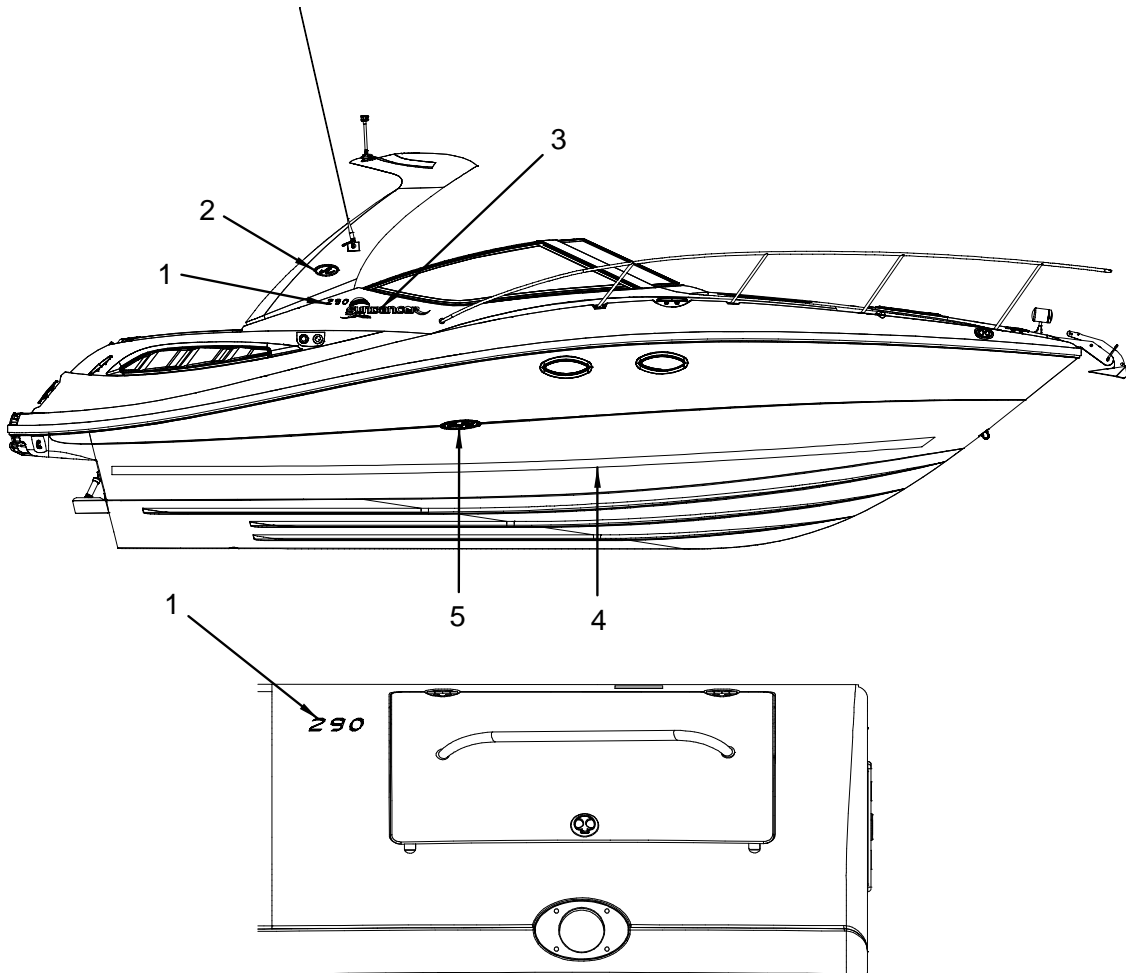
- 1 1520113 EMBLEM, MODEL DESG 290 URETHANE BLK/CHR
- 1818574 EMBLEM, MODEL DESG 325 URETHANE BLK  
("325DA" MODEL DESIGNATORS)  
(INTERNATIONAL ONLY)
- 2 1443225 EMBLEM, S/R WAVE 8" OVAL CHR TRNSM
- 3 1756554 DECAL, "SUNDANCER" BLK/SLVR MET
- 4 1756548 TAPE, M/S 4"W/1"VOID BLK/SLVR MET  
(NOTE: 150 FOOT ROLL OF TAPE)
- 1847819 TAPE, M/S 4"W/1"VOID BLK/SLVR MET  
(NOTE: 75 FOOT ROLL OF TAPE)
- 5 1443183 EMBLEM, "SEA RAY" SCRIPT HULL LOGO CHR 13"

**BOTTOM PAINT**

- 1355338 PAINT, BOTTOM BLACK HYDROCOAT

**GELCOATS**

- 1452861 GEL COAT, PEARL AIR-DRY (BILGE)  
(HULL AND DECK)
- 1317858 GEL COAT, ARCTIC WHT  
(HULL, DECK AND SMALL PARTS)
- 1558469 GEL COAT, MAXGUARD LE PEARL  
(SMALL PARTS)
- 1799861 GEL COAT, NICKLE MMHP  
(GEL-COATED DASH - NICKEL)

**EXTERIOR (GRAPHICS) BLUE**

**EXTERIOR (GRAPHICS) BLUE**

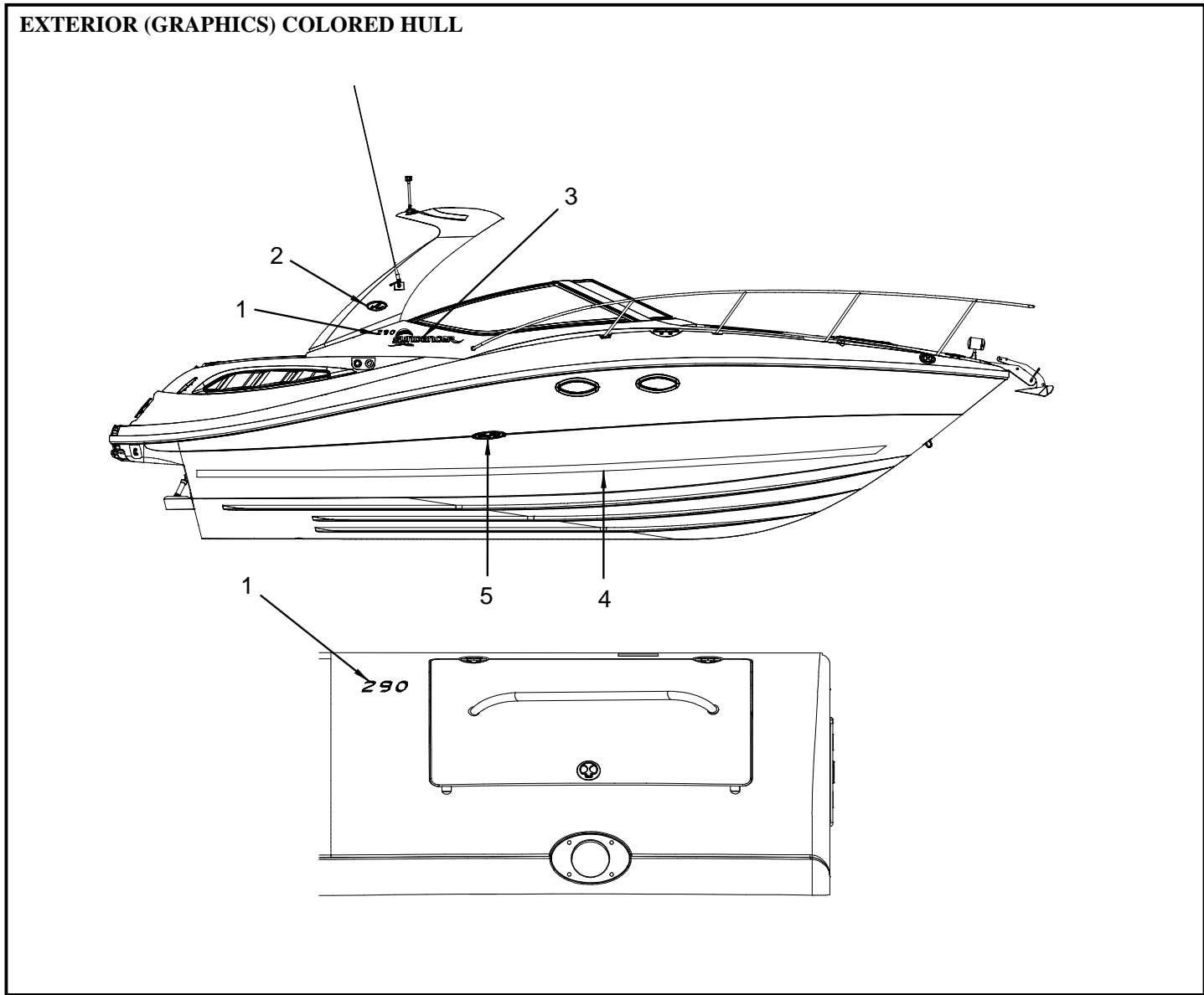
- |   |         |  |
|---|---------|--|
| 1 | 1520113 | EMBLEM, MODEL DESG 290 URETHANE BLK/CHR  |
|   | 1818574 | EMBLEM, MODEL DESG 325 URETHANE BLK ("325DA" MODEL DESIGNATORS) (INTERNATIONAL ONLY) |
| 2 | 1443225 | EMBLEM, S/R WAVE 8" OVAL CHR TRNSM   |
| 3 | 1756555 | DECAL, "SUNDANCER" DKBL/SLVR MET   |
| 4 | 1756549 | TAPE, M/S 4"W/1"VOID DKBL/SLVR MET   |
| 5 | 1443183 | EMBLEM, "SEA RAY" SCRIPT HULL LOGO CHR 13"   |

**BOTTOM PAINT**

- |         |                               |
|---------|-------------------------------|
| 1355338 | PAINT, BOTTOM BLACK HYDROCOAT |
|---------|-------------------------------|

**GELCOATS**

- |         |   |
|---------|---|
| 1452861 | GEL COAT, PEARL AIR-DRY (BILGE) (HULL AND DECK)   |
| 1317858 | GEL COAT, ARCTIC WHT (HULL, DECK AND SMALL PARTS) |
| 1558469 | GEL COAT, MAXGUARD LE PEARL (SMALL PARTS)         |
| 1799861 | GEL COAT, NICKLE MMHP (GEL-COATED DASH - NICKEL)  |



**EXTERIOR (GRAPHICS) COLORED HULL**

- 1 1520113 EMBLEM, MODEL DESG 290 URETHANE BLK/CHR
- 1818574 EMBLEM, MODEL DESG 325 URETHANE BLK ("325DA" MODEL DESIGNATORS) (INTERNATIONAL ONLY)
- 2 1443225 EMBLEM, S/R WAVE 8" OVAL CHR TRNSM
- 3 1756554 DECAL, "SUNDANCER" BLK/SLVR MET (BLACK COLORED HULL) (PEWTER COLORED HULL) (CINNABAR COLORED HULL)
- 1756555 DECAL, "SUNDANCER" DKBL/SLVR MET (MIDNIGHT BLUE COLORED HULL)
- 4 1804765 TAPE, SOLID 3" PRL WHT/BLKMET N/VOID (BLACK COLORED HULL) (PEWTER COLORED HULL)
- 1753015 TAPE, SOLID 3" WHT/WELL AMETHYST N/VOID (MIDNIGHT BLUE COLORED HULL)
- 1818018 TAPE, SOLID 3" METSLVR/BLK N/VOID (CINNABAR COLORED HULL)
- 5 1443183 EMBLEM, "SEA RAY" SCRIPT HULL LOGO CHR 13"

**GELCOATS**

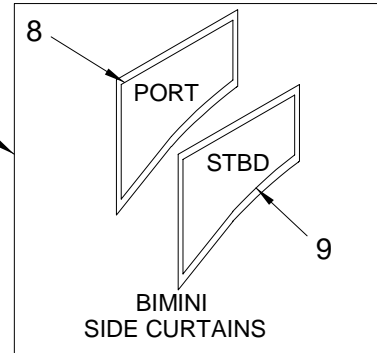
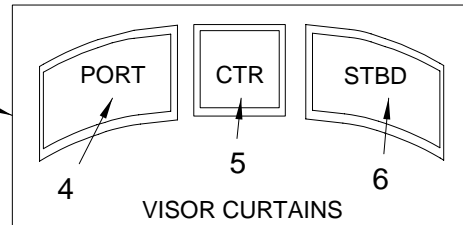
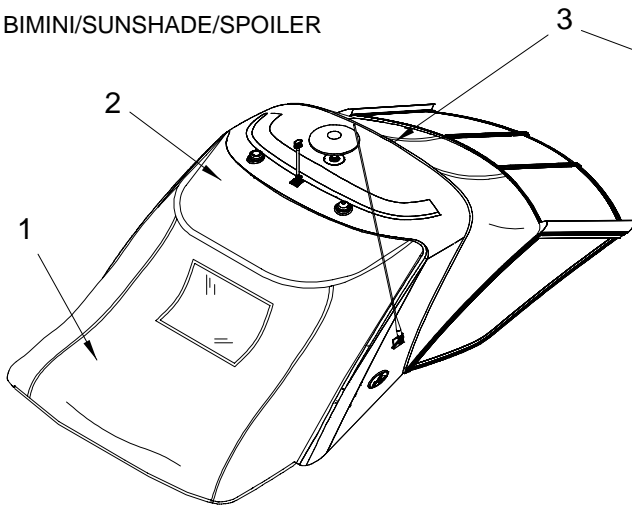
- 1452861 GEL COAT, PEARL AIR-DRY (BILGE) (HULL AND DECK)
- 1317858 GEL COAT, ARCTIC WHT (HULL, DECK AND SMALL PARTS)
- 1558469 GEL COAT, MAXGUARD LE PEARL (SMALL PARTS)
- 1799861 GEL COAT, NICKLE MMHP (GEL-COATED DASH - NICKEL)
- 1690845 GEL COAT, JET BLK (BLACK COLORED HULL)
- 1799711 GEL COAT, MMHP MIDNIGHT BLUE (MIDNIGHT BLUE COLORED HULL)
- 1799781 GEL COAT, NEW PEWTER VALSPAR (PEWTER COLORED HULL)
- 1801663 GEL COAT, CINNABAR PEARL (CINNABAR COLORED HULL)

**BOTTOM PAINT**

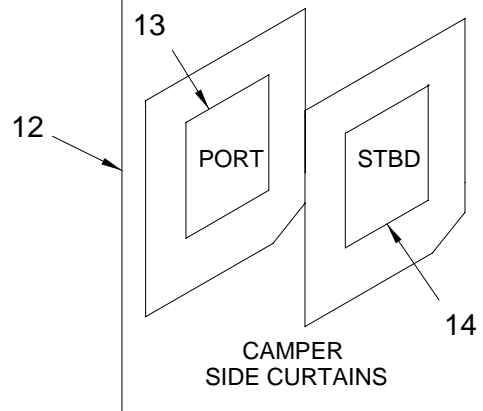
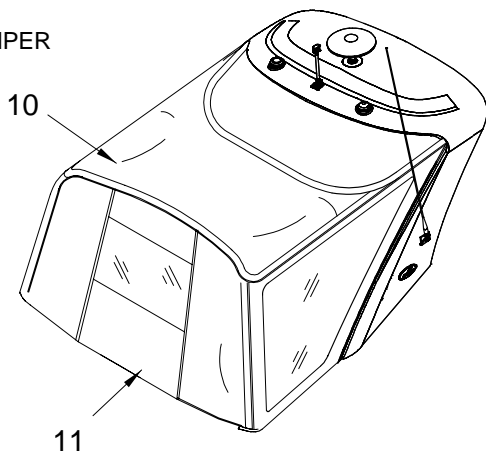
- 1355338 PAINT, BOTTOM BLACK HYDROCOAT

CANVAS (BLACK)

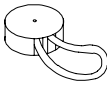









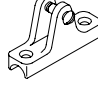


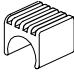
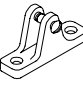
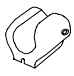

BIMINI/SUNSHADE/SPOILER



CAMPER



CANVAS HARDWARE

SHOCK CORD CLIP  15	LACING KNOB  16	PLASTIC PULL TAB NEW NLA  17	END CAP  18	END CAP  19	INSERT  20	JAW SLIDE  21	JAW SLIDE  22	PULL PIN  23
PULL PIN  24	RADIUS HINGE  25	RADIUS HINGE  26	SLIDE  27	SIDE SPACER  28	STRAIGHT HINGE  29	STRAIGHT HINGE  30	STRAP EYE  31	

## CANVAS (BLACK)

1	1847597	CANVAS, 290DA-06 SNSHD AFT CURT BLK PH-3 (HULL# 1505 -> UP)	7		(WINDSHIELD W/ STAINLESS STEEL FRAME)	
	1794004	CANVAS, 290DA-06 SNSHD AFT CURT W/ARCH BLK (HULL# 1201 -> 1504)	8	1849325	CANVAS, 290DA-06 SIDE CURT PRT BLK PH3 (HULL# 1505 -> UP)	
2	1847600	CANVAS, 290DA-06 SNSHD TOP BLK PH-3 (HULL# 1505 -> UP)		1849410	CANVAS, 290DA-06 SIDE CURT PRT SS BLK PH3 (HULL# 1505 -> UP)	
	1849300	CANVAS, 290DA-06 SNSHD TOP FAB BLK PH3 (HULL# 1505 -> UP)		1813388	(WINDSHIELD W/ STAINLESS STEEL FRAME) CANVAS, 290DA-06 SIDE CURT PRT W/ARCH BLK (HULL# 1201 -> 1504)	
	1849303	CANVAS, 290DA-06 SNSHD TOP VAL BLK PH3 (HULL# 1505 -> UP)		9	1849328	CANVAS, 290DA-06 SIDE CURT STB BLK PH3 (HULL# 1505 -> UP)
	1849306	CANVAS, 290DA-06 SNSHD TOP BOWS W/HDWR PH3 (HULL# 1505 -> UP)		1849413	CANVAS, 290DA-06 SIDE CURT STB SS BLK PH3 (HULL# 1505 -> UP)	
	1849307	CANVAS, 290DA-06 SNSHD MAIN BOW W/HDWR PH3 (HULL# 1505 -> UP)		1813400	(WINDSHIELD W/ STAINLESS STEEL FRAME) CANVAS, 290DA-06 SIDE CURT STB W/ARCH BLK (HULL# 1201 -> 1504)	
	1849308	CANVAS, 290DA-06 SNSHD TOP MNTG PKG PH3 (HULL# 1505 -> UP)	10	1846472	CANVAS, 290DA-06 CAMP CMLPT BLK PH-3 (HULL# 1505 -> UP)	
	1849309	CANVAS, 290DA-06 SNSHD TOP REAR STN/STP PH3 (HULL# 1505 -> UP)		1794005	CANVAS, 290DA-06 CAMP TOP BOOT W/ARCH BLK	
	1794007	CANVAS, 290DA-06 SNSHD TOP W/ARCH BLK (HULL# 1201 -> 1504)		1849416	CANVAS, 290DA-06 CAMP TOP FAB CMLPT BLK PH3 (HULL# 1505 -> UP)	
	1820395	CANVAS, 290DA-06 SNSHD TOP FAB BLK (HULL# 1201 -> 1504)		1849420	CANVAS, 290DA-06 CAMP TOP BLK PH3 (HULL# 1505 -> UP)	
	1820398	CANVAS, 290DA-06 SNSHD TOP VAL BLK (HULL# 1201 -> 1504)		1849423	CANVAS, 290DA-06 CAMP TOP FAB BLK PH3 (HULL# 1505 -> UP)	
	1820401	CANVAS, 290DA-06 SNSHD TOP BOWS W/HDWR (HULL# 1201 -> 1504)		1849426	CANVAS, 290DA-06 CAMP TOP BOWS W/HDWR PH3 (HULL# 1505 -> UP)	
	1820402	CANVAS, 290DA-06 SNSHD MAIN BOW W/HDWR (HULL# 1201 -> 1504)		1849427	CANVAS, 290DA-06 CAMP TOP MAIN BOW W/HDWR PH3 (HULL# 1505 -> UP)	
	1820403	CANVAS, 290DA-06 SNSHD TOP MNTG PKG (HULL# 1201 -> 1504)		1849428	CANVAS, 290DA-06 CAMP TOP MNTG PKG PH3 (HULL# 1505 -> UP)	
	1820404	CANVAS, 290DA-06 SNSHD TOP REAR STN/STP (HULL# 1201 -> 1504)		1849429	CANVAS, 290DA-06 CAMP TOP REAR STAN/STP PH3 (HULL# 1505 -> UP)	
3	1847603	CANVAS, 290DA-06 VSR CURT 3PC CLR/BLK PH-3 (HULL# 1505 -> UP)		1833343	CANVAS, 290DA-06 CAMP CMLPT W/ARCH BLK PH2 (HULL# 1201 -> 1504)	
	1849310	CANVAS, 290DA-06 VSR CURT SET NVAL BLK PH3 (HULL# 1505 -> UP)		1849442	CANVAS, 290DA-06 CAMP TOP FAB CMLPT BLK PH2 (HULL# 1201 -> 1504)	
	1849313	CANVAS, 290DA-06 VSR VAL BLK PH3 (HULL# 1505 -> UP) (VALANCE ONLY)		1849445	CANVAS, 290DA-06 CAMP TOP BLK PH2 (HULL# 1201 -> 1504)	
	1840167	CANVAS, 290DA-06 VSR CURT SS/WS BLK PH-3 (HULL# 1505 -> UP)		1849448	CANVAS, 290DA-06 CAMP TOP FAB BLK PH2 (HULL# 1201 -> 1504)	
	1849394	CANVAS, 290DA-06 VSR CURT ST NVAL SS BLK PH3 (HULL# 1505 -> UP)		1849451	CANVAS, 290DA-06 CAMP TOP BOWS W/HDWR PH2 (HULL# 1201 -> 1504)	
	1849397	CANVAS, 290DA-06 VSR VAL SS BLK PH3 (HULL# 1505 -> UP)		1849452	CANVAS, 290DA-06 CAMP TOP MAIN BOW W/HDWR PH2 (HULL# 1201 -> 1504)	
	1794009	CANVAS, 290DA-06 VSR CURT W/ARCH 3PC CLR/BLK (HULL# 1201 -> 1504)		1849453	CANVAS, 290DA-06 CAMP TOP MNTG PKG PH2 (HULL# 1201 -> 1504)	
	1820405	CANVAS, 290DA-06 VSR CURT SET NVAL BLK (HULL# 1201 -> 1504)		1849454	CANVAS, 290DA-06 CAMP TOP REAR STAN/STP PH2 (HULL# 1201 -> 1504)	
	1820411	CANVAS, 290DA-06 VSR VAL BLK (HULL# 1201 -> 1504) (VALANCE ONLY)		11	1849439	CANVAS, 290DA-06 CAMP AFT CURT BLK PH3 (HULL# 1505 -> UP)
	1838324	CANVAS, 290DA VSR CURT SS/WS W/ARCH CLR/BLK (HULL# 1201 -> 1504)		1849464	CANVAS, 290DA-06 CAMP AFT CURT BLK PH2 (HULL# 1201 -> 1504)	
4	1849316	CANVAS, 290DA-06 VSR CURT PRT CLR/BLK PH3 (HULL# 1505 -> UP)		12	1849430	CANVAS, 290DA-06 CAMP SIDE CURT SET BLK PH3 (HULL# 1505 -> UP)
	1849401	CANVAS, 290DA-06 VSR CURT PRT SS CLR/BLK PH3 (HULL# 1505 -> UP)		1849455	CANVAS, 290DA-06 CAMP SIDE CURT SET BLK PH2 (HULL# 1201 -> 1504)	
	1813378	CANVAS, 290DA-06 VSR CURT W/ARCH PRT CLR/BLK (HULL# 1201 -> 1504)		13	1849433	CANVAS, 290DA-06 CAMP SIDE CURT PRT BLK PH3 (HULL# 1505 -> UP)
5	1849319	CANVAS, 290DA-06 VSR CURT CTR CLR/BLK PH3 (HULL# 1505 -> UP)		1849458	CANVAS, 290DA-06 CAMP SIDE CURT PRT BLK PH2 (HULL# 1201 -> 1504)	
	1849404	CANVAS, 290DA-06 VSR CURT CTR SS CLR/BLK PH3 (HULL# 1505 -> UP)		14	1849436	CANVAS, 290DA-06 CAMP SIDE CURT STB BLK PH3 (HULL# 1505 -> UP)
	1813381	CANVAS, 290DA-06 VSR CURT W/ARCH CTR CLR/BLK (HULL# 1201 -> 1504)		1849461	CANVAS, 290DA-06 CAMP SIDE CURT STB BLK PH2 (HULL# 1201 -> 1504)	
6	1849322	CANVAS, 290DA-06 VSR CURT STB CLR/BLK PH3 (HULL# 1505 -> UP)		15	1778676	CLIP, SHOCKCORD/CVR WHT W/ELAS 04
	1849407	CANVAS, 290DA-06 VSR CURT STB SS CLR/BLK PH3 (HULL# 1505 -> UP)		16	1761645	KNOB, SHOCKCORD LACING
	1813384	CANVAS, 290DA-06 VSR CURT W/ARCH STB CLR/BLK (HULL# 1201 -> 1504)		17	1898301	CLIP, WHT TAB ZIP PULL W/1/8"X5" CORD (REPLACED 1778677)
7	1847594	CANVAS, 290DA-06 SIDE CURT SET BLK PH-3 (HULL# 1505 -> UP)			1778677	CLIP, WHT PLAS TAB W/CORD (NO LONGER AVAILABLE, REPLACED BY 1898301)
	1840164	CANVAS, 290DA-06 SIDE CURT ST SS/WS BLK PH-3 (HULL# 1505 -> UP)		18	221085	CAP, SS EYE END 7/8"
	1794008	CANVAS, 290DA-06 SIDE CURT SET W/ARCH BLK (HULL# 1201 -> 1504)		19	1760354	CAP, SS EYE END BALL/SOCKET TYPE
	1838321	CANVAS, 290DA-06 SID CURT ST SS/WS/ARCH BLK (HULL# 1201 -> 1504)		20	1760358	INSERT, DECK HINGE BALL/SOCKET BLK
				21	439307	SLIDE, JAW SLIDE 7/8"
				22	1760355	SLIDE, JAW SLIDE BALL/SOCKET TYPE SS
				23	1760595	PIN, PULL BALL/SOCKET TYPE W/RING LNYRD BLK
				24	1357854	PIN, PULL 1.25" TOGGLE W/RING LNYRD SPRING SS
				25	174953	HINGE, DECK CONCAVE 1" SS CONV TOP
				26	1760357	HINGE, DECK RADIUS BALL/SOCKET TYPE SS
				27	1536051	SLIDE, W/S CANVAS TRACK PORT
					1536069	SLIDE, W/S CANVAS TRACK STBD
					1738744	KNOB, W/S CANVAS TRACK PRT & STB
				28	580688	SPACER, SIDE CURTAIN 7/8"
				29	174995	HINGE, DECK FLAT 1" CONV TOP SS
				30	1760356	HINGE, DECK FLAT BALL/SOCKET TYPE SS
				31	195412	EYE, STRAP EYE (SNAP EYE) CHROME (CONV TOP)

## 290 SUNDANCER 2006



---

### COCKPIT COVER

1811124 CANVAS, 290DA-06 CPC W/ARCH BLK  
1833340 CANVAS, 290DA-06 CPC W/CMP W/ARCH BLK PH2  
(CAMPER CANVAS PACKAGE)

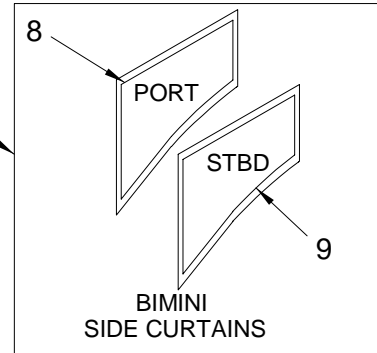
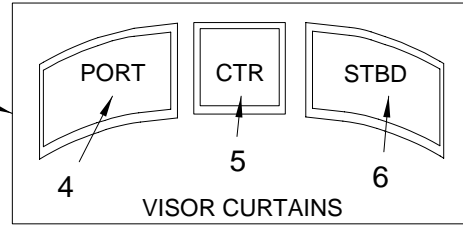
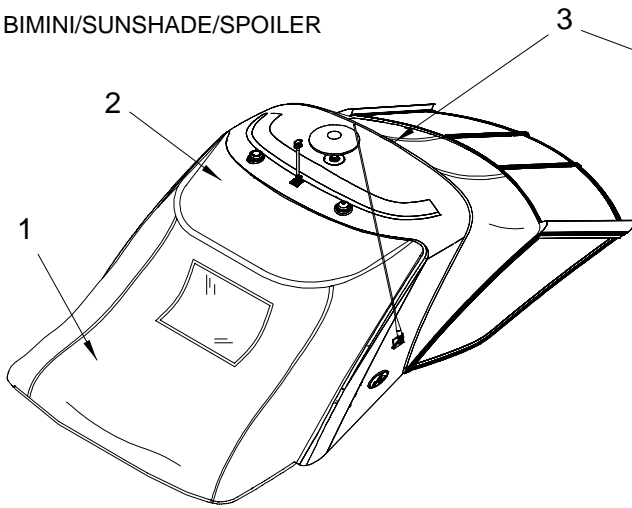
### STORAGE BAG

963876 CANVAS, SPBOAT STRG BAG 10X80 XLRG GREY 97

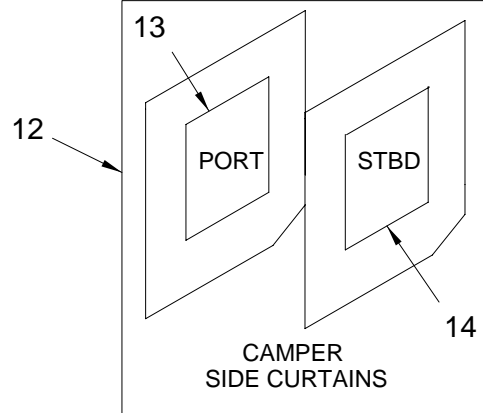
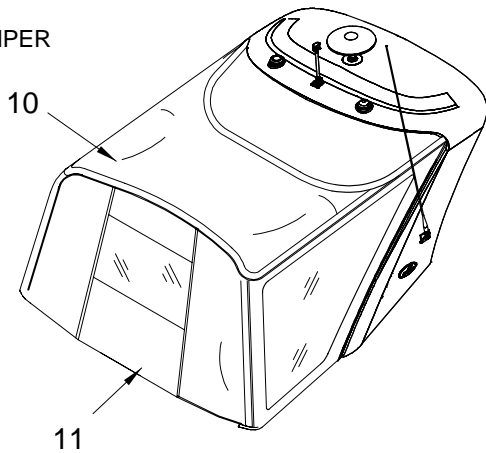


CANVAS (BLUE)

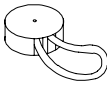









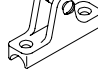

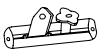
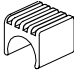
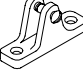
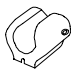

BIMINI/SUNSHADE/SPOILER



CAMPER



CANVAS HARDWARE

SHOCK CORD CLIP  15	LACING KNOB  16	PLASTIC PULL TAB NEW NLA  17	END CAP  18	END CAP  19	INSERT  20	JAW SLIDE  21	JAW SLIDE  22	PULL PIN  23
PULL PIN  24	RADIUS HINGE  25	RADIUS HINGE  26	SLIDE  27	SIDE SPACER  28	STRAIGHT HINGE  29	STRAIGHT HINGE  30	STRAP EYE  31	

## CANVAS (BLUE)

1	1847598	CANVAS, 290DA-06 SNSHD AFT CURT CAPT NRVY PH-3 (HULL# 1505 -> UP)	7	
	1810331	CANVAS, 290DA-06 SNSHD AFT CURT W/ARCH CNVY (HULL# 1201 -> 1504)	8	1849326 (WINDSHIELD W/ STAINLESS STEEL FRAME) CANVAS, 290DA-06 SIDE CURT PRT CPNVY PH3 (HULL# 1505 -> UP)
2	1847601	CANVAS, 290DA-06 SNSHD TOP CAPT NRVY PH-3 (HULL# 1505 -> UP)		1849411 CANVAS, 290DA-06 SIDE CURT PRT SS CPNVY PH3 (HULL# 1505 -> UP)
	1849301	CANVAS, 290DA-06 SNSHD TOP FAB CAPT NRVY PH3 (HULL# 1505 -> UP)		1813403 (WINDSHIELD W/ STAINLESS STEEL FRAME) CANVAS, 290DA-06 SIDE CURT PRT W/ARCH CNVY (HULL# 1201 -> 1504)
	1849304	CANVAS, 290DA-06 SNSHD TOP VAL CAPT NRVY PH3 (HULL# 1505 -> UP)	9	1849329 CANVAS, 290DA-06 SIDE CURT STB CAPT NRVY PH3 (HULL# 1505 -> UP)
	1849306	CANVAS, 290DA-06 SNSHD TOP BOWS W/HDWR PH3 (HULL# 1505 -> UP)		1849414 CANVAS, 290DA-06 SIDE CURT STB SS CPNVY PH3 (HULL# 1505 -> UP)
	1849307	CANVAS, 290DA-06 SNSHD MAIN BOW W/HDWR PH3 (HULL# 1505 -> UP)		1813405 (WINDSHIELD W/ STAINLESS STEEL FRAME) CANVAS, 290DA-06 SIDE CURT STB W/ARCH CNVY (HULL# 1201 -> 1504)
	1849308	CANVAS, 290DA-06 SNSHD TOP MNTG PKG PH3 (HULL# 1505 -> UP)	10	1846473 CANVAS, 290DA-06 CAMP CMLPT CAPT NRVY PH-3 (HULL# 1505 -> UP)
	1849309	CANVAS, 290DA-06 SNSHD TOP REAR STN/STP PH3 (HULL# 1505 -> UP)		1810324 CANVAS, 290DA-06 CAMP TOP BOOT W/ARCH CAPNVY 1849417 CANVAS, 290DA-06 CAMP TOP FAB CMLPT CPNVY PH3 (HULL# 1505 -> UP)
	1810326	CANVAS, 290DA-06 SNSHD TOP W/ARCH CAPT NRVY (HULL# 1201 -> 1504)		1849421 CANVAS, 290DA-06 CAMP TOP CAPT NRVY PH3 (HULL# 1505 -> UP)
	1820396	CANVAS, 290DA-06 SNSHD TOP FAB CAPT NRVY (HULL# 1201 -> 1504)		1849424 CANVAS, 290DA-06 CAMP TOP FAB CAPT NRVY PH3 (HULL# 1505 -> UP)
	1820399	CANVAS, 290DA-06 SNSHD TOP VAL CAPT NRVY (HULL# 1201 -> 1504)		1849426 CANVAS, 290DA-06 CAMP TOP BOWS W/HDWR PH3 (HULL# 1505 -> UP)
	1820401	CANVAS, 290DA-06 SNSHD TOP BOWS W/HDWR (HULL# 1201 -> 1504)		1849427 CANVAS, 290DA-06 CAMP TOP MAIN BOW W/HDWR PH3 (HULL# 1505 -> UP)
	1820402	CANVAS, 290DA-06 SNSHD MAIN BOW W/HDWR (HULL# 1201 -> 1504)		1849428 CANVAS, 290DA-06 CAMP TOP MNTG PKG PH3 (HULL# 1505 -> UP)
	1820403	CANVAS, 290DA-06 SNSHD TOP MNTG PKG (HULL# 1201 -> 1504)		1849429 CANVAS, 290DA-06 CAMP TOP REAR STAN/STP PH3 (HULL# 1505 -> UP)
	1820404	CANVAS, 290DA-06 SNSHD TOP REAR STN/STP (HULL# 1201 -> 1504)		1833341 CANVAS, 290DA-06 CMP CMLPT W/ARCH CAP NRVY PH2 (HULL# 1201 -> 1504)
3	1847604	CANVAS, 290DA-06 VSR CURT 3PC CLR/NRVY PH-3 (HULL# 1505 -> UP)		1849443 CANVAS, 290DA-06 CAMP TOP FAB CMLPT CPNVY PH2 (HULL# 1201 -> 1504)
	1849311	CANVAS, 290DA-06 VSR CURT SET NVAL CPNVY PH3 (HULL# 1505 -> UP)		1849446 CANVAS, 290DA-06 CAMP TOP CAPT NRVY PH2 (HULL# 1201 -> 1504)
	1849314	CANVAS, 290DA-06 VSR VAL CAPT NRVY PH3 (HULL# 1505 -> UP) (VALANCE ONLY)		1849449 CANVAS, 290DA-06 CAMP TOP FAB CAPT NRVY PH2 (HULL# 1201 -> 1504)
	1840168	CANVAS, 290DA-06 VSR CURT SS/WS CAPT NRVY PH-3 (HULL# 1505 -> UP)		1849451 CANVAS, 290DA-06 CAMP TOP BOWS W/HDWR PH2 (HULL# 1201 -> 1504)
	1849395	CANVAS, 290DA-06 VSR CURT ST NVAL SS CNY PH3 (HULL# 1505 -> UP) (WINDSHIELD W/ STAINLESS STEEL FRAME)		1849452 CANVAS, 290DA-06 CAMP TOP MAIN BOW W/HDWR PH2 (HULL# 1201 -> 1504)
	1849398	CANVAS, 290DA-06 VSR VAL SS CAPT NRVY PH3 (HULL# 1505 -> UP) (WINDSHIELD W/ STAINLESS STEEL FRAME)		1849453 CANVAS, 290DA-06 CAMP TOP MNTG PKG PH2 (HULL# 1201 -> 1504)
	1810328	CANVAS, 290DA-06 VSR CURT W/ARCH 3PC CLR/NRVY (HULL# 1201 -> 1504)		1849454 CANVAS, 290DA-06 CAMP TOP REAR STAN/STP PH2 (HULL# 1201 -> 1504)
	1820406	CANVAS, 290DA-06 VSR CURT SET NVAL CAPT NRVY (HULL# 1201 -> 1504)	11	1849440 CANVAS, 290DA-06 CAMP AFT CURT CAPT NRVY PH3 (HULL# 1505 -> UP)
	1820412	CANVAS, 290DA-06 VSR VAL CAPT NRVY (HULL# 1201 -> 1504) (VALANCE ONLY)		1849465 CANVAS, 290DA-06 CAMP AFT CURT CAPT NRVY PH2 (HULL# 1201 -> 1504)
	1838325	CANVAS, 290DA VSR CURT SS/WS W/ARCH CLR/CNVY (HULL# 1201 -> 1504) (WINDSHIELD W/ STAINLESS STEEL FRAME)	12	1849431 CANVAS, 290DA-06 CAMP SIDE CURT SET CPNVY PH3 (HULL# 1505 -> UP)
4	1849317	CANVAS, 290DA-06 VSR CURT PRT CLR/CPNVY PH3 (HULL# 1505 -> UP)		1849456 CANVAS, 290DA-06 CAMP SIDE CURT SET CPNVY PH2 (HULL# 1201 -> 1504)
	1849402	CANVAS, 290DA-06 VSR CURT PRT SS CLR/CNY PH3 (HULL# 1505 -> UP) (WINDSHIELD W/ STAINLESS STEEL FRAME)	13	1849434 CANVAS, 290DA-06 CAMP SIDE CURT PRT CPNVY PH3 (HULL# 1505 -> UP)
	1813333	CANVAS, 290DA-06 VSR CURT W/ARCH PRT CLR/NRVY (HULL# 1201 -> 1504)		1849459 CANVAS, 290DA-06 CAMP SIDE CURT PRT CPNVY PH2 (HULL# 1201 -> 1504)
5	1849320	CANVAS, 290DA-06 VSR CURT CTR CLR/CPNVY PH3 (HULL# 1505 -> UP)	14	1849437 CANVAS, 290DA-06 CAMP SIDE CURT STB CPNVY PH3 (HULL# 1505 -> UP)
	1849405	CANVAS, 290DA-06 VSR CURT CTR SS CLR/CNY PH3 (HULL# 1505 -> UP) (WINDSHIELD W/ STAINLESS STEEL FRAME)		1849462 CANVAS, 290DA-06 CAMP SIDE CURT STB CPNVY PH2 (HULL# 1201 -> 1504)
	1813338	CANVAS, 290DA-06 VSR CURT W/ARCH CTR CLR/NRVY (HULL# 1201 -> 1504)	15	1778676 CLIP, SHOCKCORD/CVR WHT W/ELAS 04
6	1849323	CANVAS, 290DA-06 VSR CURT STB CLR/CPNVY PH3 (HULL# 1505 -> UP)	16	1761645 KNOB, SHOCKCORD LACING
	1849408	CANVAS, 290DA-06 VSR CURT STB SS CLR/CNY PH3 (HULL# 1505 -> UP) (WINDSHIELD W/ STAINLESS STEEL FRAME)	17	1898301 CLIP, WHT TAB ZIP PULL W/1/8"X5" CORD (REPLACED 1778677)
	1813345	CANVAS, 290DA-06 VSR CURT W/ARCH STB CLR/NRVY (HULL# 1201 -> 1504)		1778677 CLIP, WHT PLAS TAB W/CORD (NO LONGER AVAILABLE, REPLACED BY 1898301)
7	1847595	CANVAS, 290DA-06 SIDE CURT SET CAPT NRVY PH-3 (HULL# 1505 -> UP)	18	221085 CAP, SS EYE END 7/8"
	1840165	CANVAS, 290DA-06 SIDE CURT ST SS/WS CNVY PH-3 (HULL# 1505 -> UP) (WINDSHIELD W/ STAINLESS STEEL FRAME)	19	1760354 CAP, SS EYE END BALL/SOCKET TYPE
	1810327	CANVAS, 290DA-06 SIDE CURT SET W/ARCH CNVY (HULL# 1201 -> 1504)	20	1760358 INSERT, DECK HINGE BALL/SOCKET BLK
	1838322	CANVAS, 290DA-06 SID CURT ST SS/WS/ARCH CNVY (HULL# 1201 -> 1504)	21	439307 SLIDE, JAW SLIDE 7/8"
			22	1760355 SLIDE, JAW SLIDE BALL/SOCKET TYPE SS
			23	1760595 PIN, PULL BALL/SOCKET TYPE W/RING LNYRD BLK
			24	1357854 PIN, PULL 1.25" TOGGLE W/RING LNYRD SPRNG SS
			25	174953 HINGE, DECK CONCAVE 1" SS CONV TOP
			26	1760357 HINGE, DECK RADIUS BALL/SOCKET TYPE SS
			27	1536051 SLIDE, W/S CANVAS TRACK PORT
				1536069 SLIDE, W/S CANVAS TRACK STBD
				1738744 KNOB, W/S CANVAS TRACK PRT & STB
			28	580688 SPACER, SIDE CURTAIN 7/8"
			29	174995 HINGE, DECK FLAT 1" CONV TOP SS
			30	1760356 HINGE, DECK FLAT BALL/SOCKET TYPE SS
			31	195412 EYE, STRAP EYE (SNAP EYE) CHROME (CONV TOP)

## 290 SUNDANCER 2006



### COCKPIT COVER

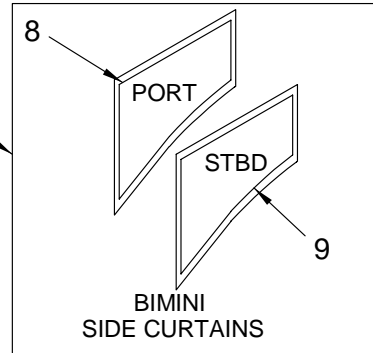
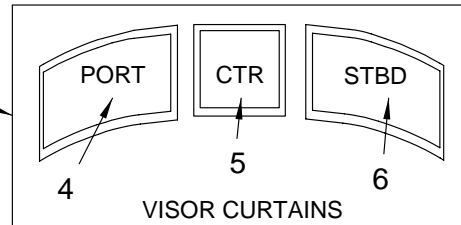
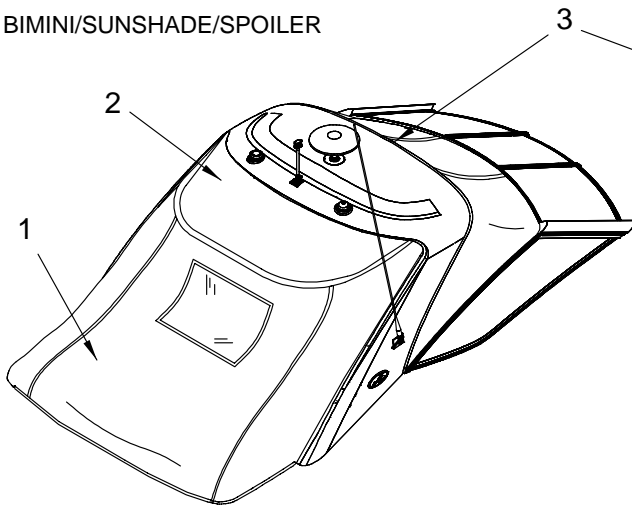
1811128 CANVAS, 290DA-06 CPC W/ARCH CAPT NVY  
1833338 CANVAS, 290DA-06 CPC W/CMP W/ARCH CAP NVY PH2  
(CAMPER CANVAS PACKAGE)

### STORAGE BAG

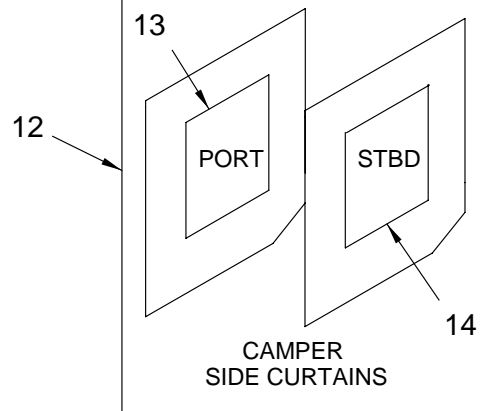
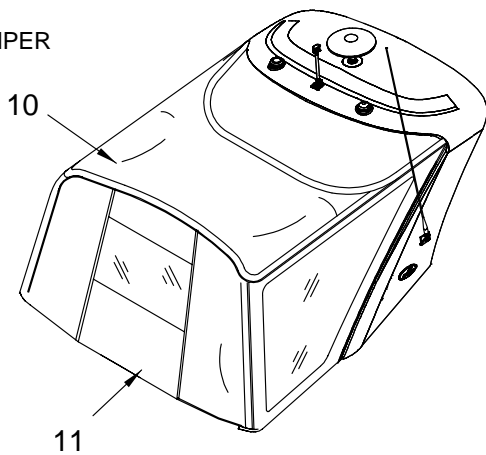
963876 CANVAS, SPBOAT STRG BAG 10X80 XLRG GREY 97

CANVAS (WHITE)

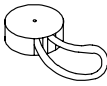









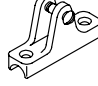


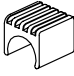
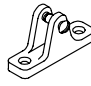


BIMINI/SUNSHADE/SPOILER



CAMPER



CANVAS HARDWARE

SHOCK CORD CLIP  15	LACING KNOB  16	PLASTIC PULL TAB NEW NLA  17	END CAP  18	END CAP  19	INSERT  20	JAW SLIDE  21	JAW SLIDE  22	PULL PIN  23
PULL PIN  24	RADIUS HINGE  25	RADIUS HINGE  26	SLIDE  27	SIDE SPACER  28	STRAIGHT HINGE  29	STRAIGHT HINGE  30	STRAP EYE  31	

## CANVAS (WHITE)

1	1847599	CANVAS, 290DA-06 SNSHD AFT CURT WHT PH-3 (HULL# 1505 -> UP)	7		(WINDSHIELD W/ STAINLESS STEEL FRAME)	
	1819486	CANVAS, 290DA-06 SNSHD AFT CURT W/ARCH WHT (HULL# 1201 -> 1504)	8	1849327	CANVAS, 290DA-06 SIDE CURT PRT WHT PH3 (HULL# 1505 -> UP)	
2	1847602	CANVAS, 290DA-06 SNSHD TOP WHT PH-3 (HULL# 1505 -> UP)		1849412	CANVAS, 290DA-06 SIDE CURT PRT SS WHT PH3 (HULL# 1505 -> UP)	
	1849302	CANVAS, 290DA-06 SNSHD TOP FAB WHT PH3 (HULL# 1505 -> UP)		1820414	(WINDSHIELD W/ STAINLESS STEEL FRAME) CANVAS, 290DA-06 SIDE CURT PRT W/ARCH WHT (HULL# 1201 -> 1504)	
	1849305	CANVAS, 290DA-06 SNSHD TOP VAL WHT PH3 (HULL# 1505 -> UP)		9	1849330	CANVAS, 290DA-06 SIDE CURT STB WHT PH3 (HULL# 1505 -> UP)
	1849306	CANVAS, 290DA-06 SNSHD TOP BOWS W/HDWR PH3 (HULL# 1505 -> UP)		1849415	CANVAS, 290DA-06 SIDE CURT STB SS WHT PH3 (HULL# 1505 -> UP)	
	1849307	CANVAS, 290DA-06 SNSHD MAIN BOW W/HDWR PH3 (HULL# 1505 -> UP)		1820415	(WINDSHIELD W/ STAINLESS STEEL FRAME) CANVAS, 290DA-06 SIDE CURT STB W/ARCH WHT (HULL# 1201 -> 1504)	
	1849308	CANVAS, 290DA-06 SNSHD TOP MNTG PKG PH3 (HULL# 1505 -> UP)	10	1846474	CANVAS, 290DA-06 CAMP CMLPT WHT PH-3 (HULL# 1505 -> UP)	
	1849309	CANVAS, 290DA-06 SNSHD TOP REAR STN/STP PH3 (HULL# 1505 -> UP)		1819490	CANVAS, 290DA-06 CAMP TOP BOOT W/ARCH WHT	
	1819487	CANVAS, 290DA-06 SNSHD TOP W/ARCH WHT (HULL# 1201 -> 1504)		1849419	CANVAS, 290DA-06 CAMP TOP FAB CMLPT WHT PH3 (HULL# 1505 -> UP)	
	1820397	CANVAS, 290DA-06 SNSHD TOP FAB WHT (HULL# 1201 -> 1504)		1849422	CANVAS, 290DA-06 CAMP TOP WHT PH3 (HULL# 1505 -> UP)	
	1820400	CANVAS, 290DA-06 SNSHD TOP VAL WHT (HULL# 1201 -> 1504)		1849425	CANVAS, 290DA-06 CAMP TOP FAB WHT PH3 (HULL# 1505 -> UP)	
	1820401	CANVAS, 290DA-06 SNSHD TOP BOWS W/HDWR (HULL# 1201 -> 1504)		1849426	CANVAS, 290DA-06 CAMP TOP BOWS W/HDWR PH3 (HULL# 1505 -> UP)	
	1820402	CANVAS, 290DA-06 SNSHD MAIN BOW W/HDWR (HULL# 1201 -> 1504)		1849427	CANVAS, 290DA-06 CAMP TOP MAIN BOW W/HDWR PH3 (HULL# 1505 -> UP)	
	1820403	CANVAS, 290DA-06 SNSHD TOP MNTG PKG (HULL# 1201 -> 1504)		1849428	CANVAS, 290DA-06 CAMP TOP MNTG PKG PH3 (HULL# 1505 -> UP)	
	1820404	CANVAS, 290DA-06 SNSHD TOP REAR STN/STP (HULL# 1201 -> 1504)		1849429	CANVAS, 290DA-06 CAMP TOP REAR STAN/STP PH3 (HULL# 1505 -> UP)	
3	1847605	CANVAS, 290DA-06 VSR CURT 3PC CLR/WHT PH-3 (HULL# 1505 -> UP)		1833342	CANVAS, 290DA-06 CAMP CMLPT W/ARCH WHT PH2 (HULL# 1201 -> 1504)	
	1849312	CANVAS, 290DA-06 VSR CURT SET NVAL WHT PH3 (HULL# 1505 -> UP)		1849444	CANVAS, 290DA-06 CAMP TOP FAB CMLPT WHT PH2 (HULL# 1201 -> 1504)	
	1849315	CANVAS, 290DA-06 VSR VAL WHT PH3 (HULL# 1505 -> UP) (VALANCE ONLY)		1849447	CANVAS, 290DA-06 CAMP TOP WHT PH2 (HULL# 1201 -> 1504)	
	1840169	CANVAS, 290DA-06 VSR CURT SS/WS WHT PH-3 (HULL# 1505 -> UP)		1849450	CANVAS, 290DA-06 CAMP TOP FAB WHT PH2 (HULL# 1201 -> 1504)	
	1849396	CANVAS, 290DA-06 VSR CURT ST NVAL SS WHT PH3 (HULL# 1505 -> UP)		1849451	CANVAS, 290DA-06 CAMP TOP BOWS W/HDWR PH2 (HULL# 1201 -> 1504)	
	1849399	CANVAS, 290DA-06 VSR VAL SS WHT PH3 (HULL# 1505 -> UP)		1849452	CANVAS, 290DA-06 CAMP TOP MAIN BOW W/HDWR PH2 (HULL# 1201 -> 1504)	
	1819489	CANVAS, 290DA-06 VSR CURT W/ARCH 3PC CLR/WHT (HULL# 1201 -> 1504)		1849453	CANVAS, 290DA-06 CAMP TOP MNTG PKG PH2 (HULL# 1201 -> 1504)	
	1820407	CANVAS, 290DA-06 VSR CURT SET NVAL WHT (HULL# 1201 -> 1504)		1849454	CANVAS, 290DA-06 CAMP TOP REAR STAN/STP PH2 (HULL# 1201 -> 1504)	
	1820413	CANVAS, 290DA-06 VSR VAL WHT (HULL# 1201 -> 1504) (VALANCE ONLY)		11	1849441	CANVAS, 290DA-06 CAMP AFT CURT WHT PH3 (HULL# 1505 -> UP)
	1838326	CANVAS, 290DA VSR CURT SS/WS W/ARCH CLR/WHT (HULL# 1201 -> 1504)		1849466	CANVAS, 290DA-06 CAMP AFT CURT WHT PH2 (HULL# 1201 -> 1504)	
4	1849318	CANVAS, 290DA-06 VSR CURT PRT CLR/WHT PH3 (HULL# 1505 -> UP)		12	1849432	CANVAS, 290DA-06 CAMP SIDE CURT SET WHT PH3 (HULL# 1505 -> UP)
	1849403	CANVAS, 290DA-06 VSR CURT PRT SS CLR/WHT PH3 (HULL# 1505 -> UP)		1849457	CANVAS, 290DA-06 CAMP SIDE CURT SET WHT PH2 (HULL# 1201 -> 1504)	
	1820408	CANVAS, 290DA-06 VSR CURT W/ARCH PRT CLR/WHT (HULL# 1201 -> 1504)		13	1849435	CANVAS, 290DA-06 CAMP SIDE CURT PRT WHT PH3 (HULL# 1505 -> UP)
5	1849321	CANVAS, 290DA-06 VSR CURT CTR CLR/WHT PH3 (HULL# 1505 -> UP)		1849460	CANVAS, 290DA-06 CAMP SIDE CURT PRT WHT PH2 (HULL# 1201 -> 1504)	
	1849406	CANVAS, 290DA-06 VSR CURT CTR SS CLR/WHT PH3 (HULL# 1505 -> UP)		14	1849438	CANVAS, 290DA-06 CAMP SIDE CURT STB WHT PH3 (HULL# 1505 -> UP)
	1820410	CANVAS, 290DA-06 VSR CURT W/ARCH CTR CLR/WHT (HULL# 1201 -> 1504)		1849463	CANVAS, 290DA-06 CAMP SIDE CURT STB WHT PH2 (HULL# 1201 -> 1504)	
6	1849324	CANVAS, 290DA-06 VSR CURT STB CLR/WHT PH3 (HULL# 1505 -> UP)		15	1778676	CLIP, SHOCKCORD/CVR WHT W/ELAS 04
	1849409	CANVAS, 290DA-06 VSR CURT STB SS CLR/HWT PH3 (HULL# 1505 -> UP)		16	1761645	KNOB, SHOCKCORD LACING
	1820409	CANVAS, 290DA-06 VSR CURT W/ARCH STB CLR/WHT (HULL# 1201 -> 1504)		17	1898301	CLIP, WHT TAB ZIP PULL W/1/8"x5" CORD (REPLACED 1778677)
7	1847596	CANVAS, 290DA-06 SIDE CURT SET WHT PH-3 (HULL# 1505 -> UP)			1778677	CLIP, WHT PLAS TAB W/CORD (NO LONGER AVAILABLE, REPLACED BY 1898301)
	1840166	CANVAS, 290DA-06 SIDE CURT ST SS/WS WHT PH-3 (HULL# 1505 -> UP)		18	221085	CAP, SS EYE END 7/8"
	1819488	CANVAS, 290DA-06 SIDE CURT SET W/ARCH WHT (HULL# 1201 -> 1504)		19	1760354	CAP, SS EYE END BALL/SOCKET TYPE
	1838323	CANVAS, 290DA-06 SID CURT ST SS/WS/ARCH WHT (HULL# 1201 -> 1504)		20	1760358	INSERT, DECK HINGE BALL/SOCKET BLK
				21	439307	SLIDE, JAW SLIDE 7/8"
				22	1760355	SLIDE, JAW SLIDE BALL/SOCKET TYPE SS
				23	1760595	PIN, PULL BALL/SOCKET TYPE W/RING LNYRD BLK
				24	1357854	PIN, PULL 1.25" TOGGLE W/RING LNYRD SPRNG SS
				25	174953	HINGE, DECK CONCAVE 1" SS CONV TOP
				26	1760357	HINGE, DECK RADIUS BALL/SOCKET TYPE SS
				27	1536051	SLIDE, W/S CANVAS TRACK PORT
					1536069	SLIDE, W/S CANVAS TRACK STBD
					1738744	KNOB, W/S CANVAS TRACK PRT & STB
				28	580688	SPACER, SIDE CURTAIN 7/8"
				29	174995	HINGE, DECK FLAT 1" CONV TOP SS
				30	1760356	HINGE, DECK FLAT BALL/SOCKET TYPE SS
				31	195412	EYE, STRAP EYE (SNAP EYE) CHROME (CONV TOP)

## 290 SUNDANCER 2006



---

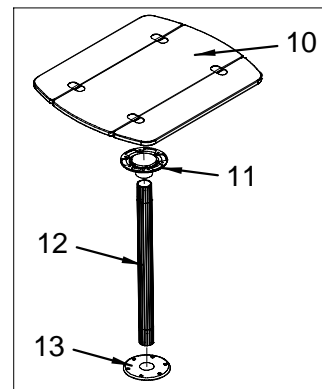
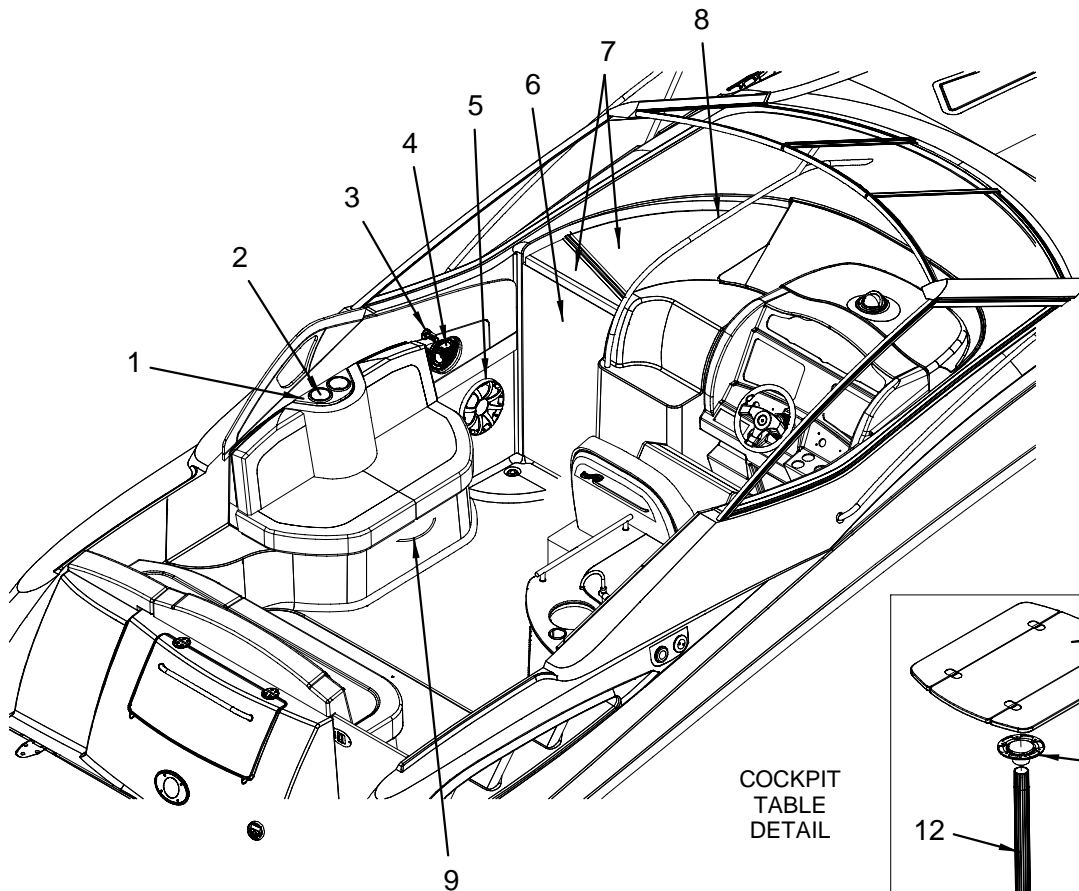
### COCKPIT COVER

- 1819492 CANVAS, 290DA-06 CPC W/ARCH WHT
- 1833339 CANVAS, 290DA-06 CPC W/CMP W/ARCH WHT PH2  
(CAMPER CANVAS PACKAGE)

### STORAGE BAG

- 963876 CANVAS, SPBOAT STRG BAG 10X80 XLRG GREY 97

**COCKPIT (PORT VIEW)**



COCKPIT  
TABLE  
DETAIL

**COCKPIT (PORT VIEW)**

- 1 1794018 TOP, CORIAN 290DA-06 CKPT W/DRNKHLDRS SNDSTN
- 2 1812917 HOLDER, DRINK SS 4"X 3" MUG SZ PLSHD RIM
- 3 1285592 LATCH, DOOR HLD R W/CUSH CHR 3.75"
- 1286178 CAP, CUSHION TIP FOR DOOR STOP
- 4 1690557 SPEAKER, COAXIAL 6.5" N/CVR
- 1784476 SPEAKER, POLK/MOMO 6.5" MD-RNG/TWTR/CRSOVR WHT  
(PREMIUM COCKPIT SOUND SYSTEM - 12 VOLT)
- 5 1764471 SPEAKER, POLK/MOMO 10" SUBWOOFER RV1  
(PREMIUM COCKPIT SOUND SYSTEM - 12 VOLT)
- 1774181 GRILL, 10" SUBWOOFER POLK/MOMO G10 WHT  
(PREMIUM COCKPIT SOUND SYSTEM - 12 VOLT)
- 6 1808828 DOOR, 290DA-06 CABIN ENTRY FLAT N/SCRN ARW
- 1808831 DOOR, 290DA-06 CABIN ENTRY FLAT W/SCRN ARW  
(DOOR, CABIN ENTRY WITH SCREEN DOOR)
- 1794026 DOOR, 290DA-06 CABIN ENTRY FLAT N/SCRN NCKL  
(GEL-COATED DASH - NICKEL)
- 1808649 DOOR, 290DA-06 CABIN ENTRY FLAT W/SCRN NCKL  
(DOOR, CABIN ENTRY WITH SCREEN DOOR AND GEL-COATED  
DASH - NICKEL)
- 1879816 CATCH, MAGNETIC DBL STRIKE 30X15 FLSH/FLSH  
(PART OF 1808831 AND 1808649)
- 1479906 LOCK, CABIN DOOR OVAL SS FLUSH #7482  
(PART OF 1808828, 1794026, 1808831 & 1808649)
- 1799404 THRESHOLD, SS 290DA-06 ENTRYWAY
- 912774 NOSING, VINYL 1"X 1/4"X 12' RIGID SR WHT
- 1802210 NOSING, VINYL 1"X 1/4"X 10' WARM GRY/NCKL  
(GEL-COATED DASH - NICKEL)

- 7 1808829 HATCH, 290DA-06 CABIN ENTRY W/HDWR ARW
- 1803183 HATCH, 290DA-06 CABIN ENTRY W/HDWR NCKL  
(GEL-COATED DASH - NICKEL)
- 8 1794024 RAIL, GRAB 290DA-06 FOREDECK ACCESS
- 9 1747836 RAIL, GRAB 12" STREAMLINE W/FLANGES (316L)
- 10 1819913 TABLE, TEAK 290/320DA-06 CKPT W/CVR/BASE  
(HULL# 1402 -> UP)
- 1801850 TABLE, TEAK CKPT FLDNG 25 7/16"X29 3/4" W/HNGS  
(HULL# 1201 -> 1401)
- 777870 STOP, HDPE 3/4"X 1.5"X 4" TABLE ARW
- 198945 VELCRO, DUAL LOCK CLR 2"X 50YD W/ADH BACK
- 11 876979 BASE, LEG/POST SURF MT ALUM
- 12 929851 POST, TABLE LEG 28.875" ANOD FLUTED
- 13 876961 BASE, LEG/POST FLUSH MT ALUM

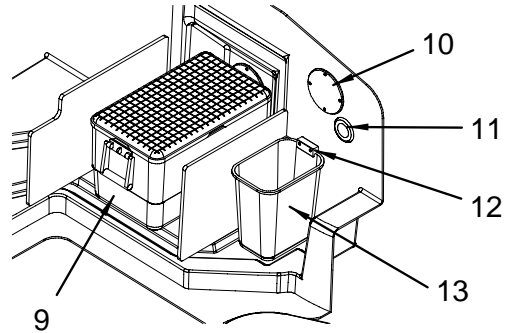
**LABELS**

- 1743548 LABEL, WARNING RUNNING BOAT W/DOOR OPEN

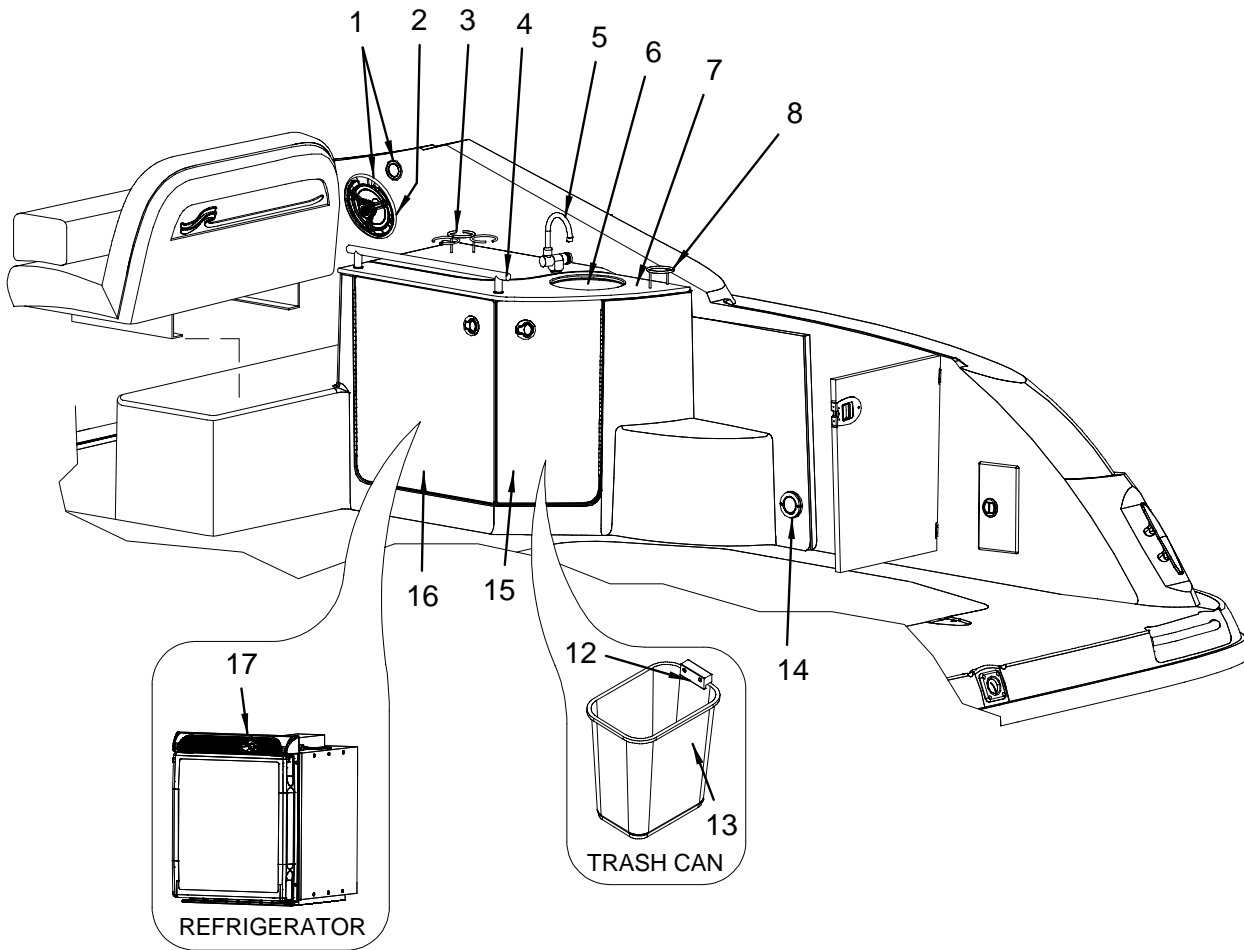
**NOT SHOWN**

- 1801859 STRG BOX, V/F 290DA-06 PRT SEAT STRG TUB
- 1810576 STOOL, FOLDING ANOD W/SR WAVE 290DA-06
- 843656 FLOORING, VINYL DIAMOND PLATE 4'X 75'
- 257972 TRIM, EDGE WHT LEATHER 1"X 5/16"  
(HULL# 1469 -> UP)

COCKPIT (STARBOARD VIEW)



WETBAR REMOVED FOR CLARITY





**COCKPIT (STARBOARD VIEW)**

- 1 1784476 SPEAKER, POLK/MOMO 6.5"MD-RNG/TWTR/CRSOVR WHT  
(PREMIUM COCKPIT SOUND SYSTEM - 12 VOLT)
- 2 1690557 SPEAKER, COAXIAL 6.5" N/CVR
- 1690558 GRILL, SPEAKER 6.5" ACOM WHT
- 3 1803696 HOLDER, BOTTLE SS 3-RING 4" (KING)
- 4 1794052 RAIL, GRAB 7/8"OD X24 5/8"STRAIGHT 304SS
- 5 1775010 FAUCET, FOLD DOWN SGL TAP CHR
- 6 1756266 SINK, SS RND 10"BRSHD
- 7 1794064 TOP, CORIAN 290DA-06 CKPT WET BAR SNDSTN
- 8 1750876 HOLDER, DRINK SS SGL 3" (KING)
- 9 814012 COOLER, 36QT
- 819656 COOLER, TIE DOWN IGLOO  
(HULL# 1201 -> 1280)
- 10 1759095 COVER, HDPE ACCESS 9"X 12"X 1/4" W/1/2"RD WHT  
(HULL# 1236 -> UP)
- 1809122 COVER, HDPE ACCESS 4"X 12"X 1/4" W/1/2"RD WHT  
(HULL# 1236 -> UP)
- 983692 ACCESS PLATE, POLYPROP W/ O-RING 4" WHT  
(HULL# 1201 -> 1235)
- 11 326009 THRU-HULL, PLAS 2" WHT (FULL THREAD)
- 12 609883 CLEAT, PLAS 3/4"X 1"X 4" GREY
- 13 431098 BASKET, TRASH 11 3/8"X 8.25"X 12 1/8" BEIGE
- 14 1771016 LIGHT, NAV STERN FLSH MNT RND CHR/BRS W/CONN
- 901199 BULB, STERN NAV LIGHT REPL #137406-1227412
- 15 1794060 DOOR, PLEX 290DA-06 WET BAR AFT ARW W/SS STH
- 1892980 HINGE, 290DA-06 WET BAR AFT F/1794060  
(PART OF 1794060)
- 663708 BUMPER, CLEAR .020" THICK
- 1805874 PLATE, STRIKER SLAM LATCH SS 1 13/16"SPCL
- 16 1794054 DOOR, PLEX 290DA-06 WET BAR FWD ARW W/SS STH
- 1804747 DOOR, PLEX 290DA-06 WET BAR W/SLOTS ARW STHC  
(COCKPIT REFRIGERATOR DUAL VOLT-120V/60-12V)  
(COCKPIT REFRIGERATOR DUAL VOLT-220V/50-12V)
- 1892981 HINGE, 290DA-06 WET BAR FWD F/1794054/1804747  
(PART OF 1794054 & 1804747)
- 663708 BUMPER, CLEAR .020" THICK
- 17 1747061 REFRIGERATOR, 1.7 CU FT 12VDC/110AC  
(COCKPIT REFRIGERATOR DUAL VOLT-120V/60-12V)
- 145136 RECEPTACLE, CORR RESISTANT GREY  
(COCKPIT REFRIGERATOR DUAL VOLT-120V/60-12V)
- 180067 COVER PLATE, WATERPROOF RECEPT W/2 DOORS  
(COCKPIT REFRIGERATOR DUAL VOLT-120V/60-12V)
- 1747062 REFRIGERATOR, 1.7 CU FT 12VDC/240V  
(COCKPIT REFRIGERATOR DUAL VOLT-220V/50-12V)
- 1787565 RECEPTACLE, LEVITON EXT W/CVR 220/50 GERMAN  
(COCKPIT REFRIGERATOR DUAL VOLT-220V/50-12V)
- 1738813 LATCH, COVER PLATE FOR TRAVEL LATCH
- 1738814 LATCH, TRAVEL LATCH SPRING
- 1738816 LATCH, TRAVEL PLATE
- 627737 BOX, RECEPTACLE/SWITCH PVC 1-GANG DEEP

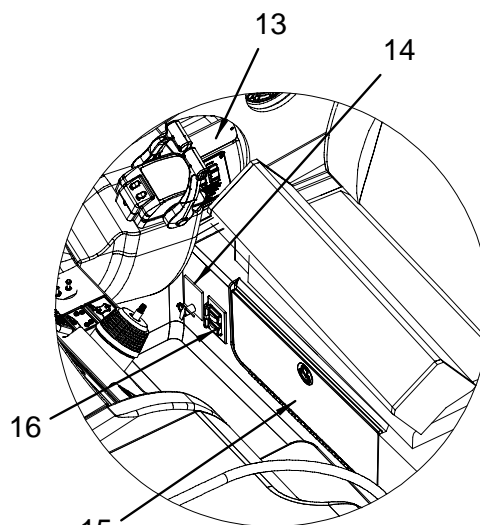
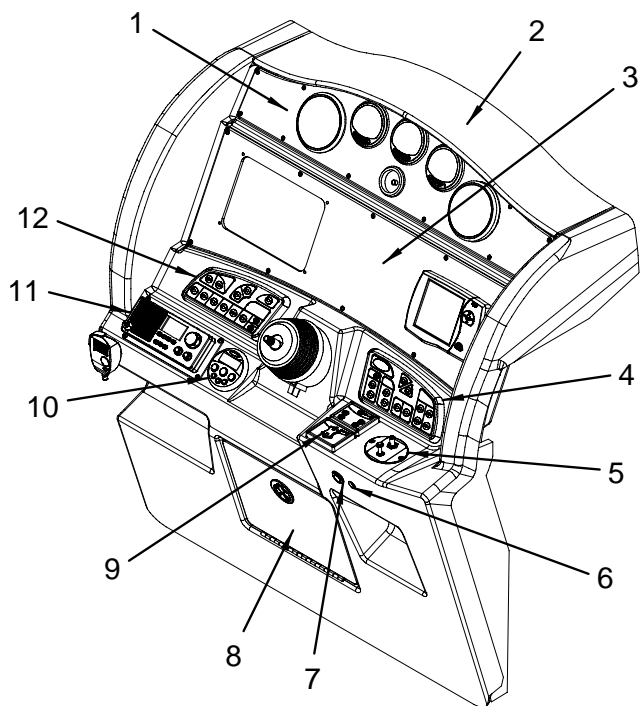
**LABELS**

- 1744745 LABEL, DISPOSAL OF GARBAGE

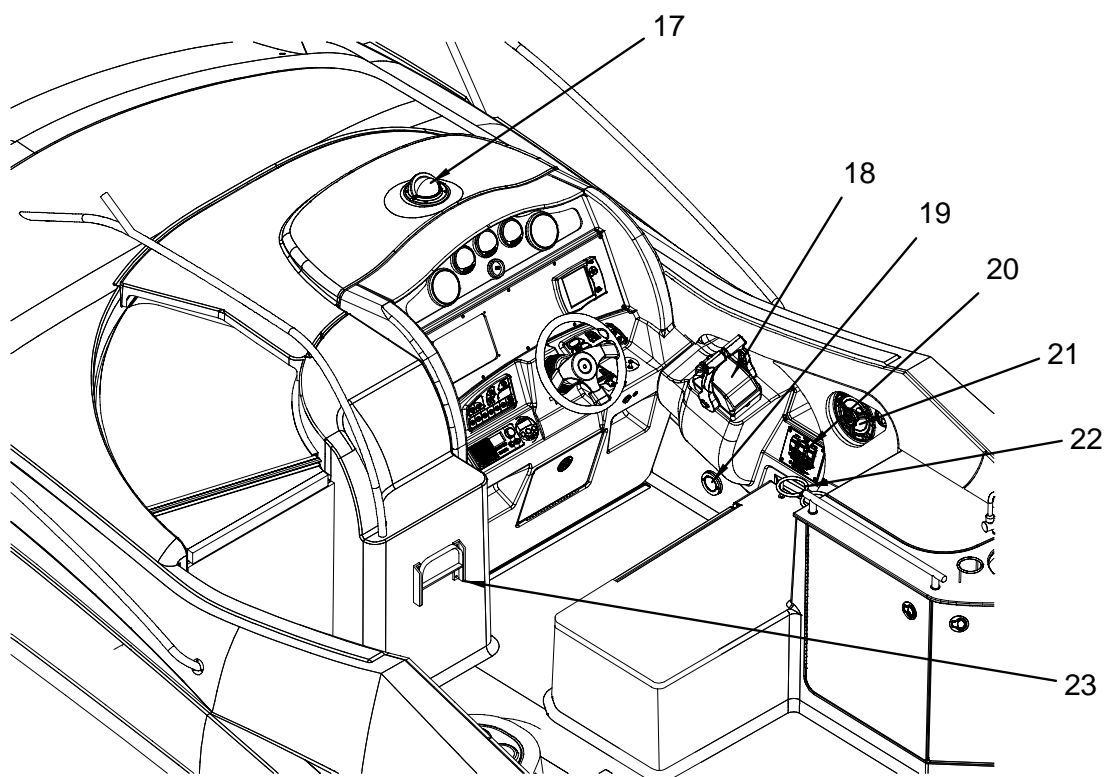
**NOT SHOWN**

- 836007 BRACKET, ALUM 1.5"X 1.5"X 3" 3/16"HOLES

COCKPIT (HELM)



HELM AFT VIEW



## COCKPIT (HELM)

1	1799682	PANEL, BLANK:290DA-06 INST TE W/SCRFT BLKCR (TWIN ENGINE)
	1799679	PANEL, BLANK:290DA-06 INST SE W/SCRFT BLKCR (SINGLE ENGINE GAS - HULL# 1223 ONLY)
2	1794036	VISOR, DASH 290DA-06 PLEX BLK
3	1836860	PANEL, BLANK:290DA-06 ELEC N/CUTOUTS (HULL# 1458 -> UP)
	1799685	PANEL, BLANK:290DA-06 ELEC W/S-CRFT SYSVIEW (SMARTCRAFT SYSTEM VIEW - TWINS ONLY)
	1799687	PANEL, BLANK:290DA-06 ELEC W/SCRFT SYSVW/C70 (SMARTCRAFT SYSTEM VIEW/RAYMARINE- C70)
	1801696	PANEL, BLANK:290DA-06 ELEC SYSVW/NSTR 6.4" (SMARTCRAFT SYSTEM VIEW/NORTHSTAR 6000I)
	1801688	PANEL, BLANK:290DA-06 ELEC W/VLVO EVC DISPLY (DIESEL ENGINE WITHOUT CHARTPLOTTER)
	1799686	PANEL, BLANK:290DA-06 ELEC W/C70 (GAS ENGINE WITH CHARTPLOTTER / GPS - RAYMARINE- C70)
	1801690	PANEL, BLANK:290DA-06 ELEC W/VLVO EVC/C70 (DIESEL ENGINE WITH CHARTPLOTTER / GPS - RAYMARINE- C70)
	1801694	PANEL, BLANK:290DA-06 ELEC NRTHSTR 6.4"6000I (GAS ENGINE WITH GPS / CHARTPLOTTER - NORTHSTAR 6000I)
	1801691	PANEL, BLANK:290DA-06 ELEC VLVOEVC/NSTR 6.4" (DIESEL ENGINE WITH GPS / CHARTPLOTTER - NORTHSTAR 6000I)
4	1797304	MODULE, ELEC SWPAD S-CRUISER STB 05
5	1755306	CONTROL, SEARCH LIGHT N/HARNESS (SPOTLIGHT, 5" REMOTE CONTROLLED)
	1756641	HARNESS, SPOTLIGHT ASSY 25' W/MALE CONN (SPOTLIGHT, 5" REMOTE CONTROLLED)
6	1690376	ACC PART, MERC S-CRFT AIR TEMP SENSOR (GAS ENGINES ONLY)
7	1287283	RECEPTACLE, FEMALE 12V LONG THRD BLK
	1259977	PLATE, FEMALE 12V RECEPTACLE MNT
8	1808840	DOOR, HDPE 290DA-06 HLM ACCES W/SS STHCO ARW
	1802622	DOOR, HDPE 290DA-06 HLM ACCES W/SS STHC NCKL (GEL-COATED DASH - NICKEL)
	1892982	HINGE, 290DA-06 HLM ACCESS F/1808840/1802622 (PART OF 1808840 & 1802622)
	1781434	LATCH, FLUSH MNT N/LOCKING SLAM SS
	1781436	PLATE, FLAT BRKT 2"SHORT SCREW W/HDWR PKG
9	1800636	ACC PART, VOLVO D4/D6 EVC DISPLAY
10	1799348	STEREO, REMOTE CNTRL W/DSPL BLK FACE/SS BZL
	1312750	CABLE, CLARION REMOTE EXTENSION CABLE 24'
11	1807449	RADIO, VHF NRTHSTAR NS100
	1807870	HARNESS, NRTHSTR VHF BLKBX SPKR-HNDSET EXT 3' (HULL# 1219 -> UP)
12	1797300	MODULE, ELEC SWPAD S-CRUISER PRT 05
13	1805767	INSERT, HDPE 290DA-06 THRTL BOX ARW
	1805769	INSERT, HDPE 290DA-06 THRTL BOX NCKL (GEL-COATED DASH - NICKEL)
14	598169	HALON CABLE, MANUAL PULL CABLE 18'
15	1799402	DOOR, HDPE 290DA-06 HLM ST STRG ARW W/SS STH
	1892983	HINGE, 290DA-06 HLM ST STRG F/1799402 (PART OF 1799402)
	1781434	LATCH, FLUSH MNT N/LOCKING SLAM SS
	1781436	PLATE, FLAT BRKT 2"SHORT SCREW W/HDWR PKG
	663708	BUMPER, CLEAR .020" THICK
16	145136	RECEPTACLE, CORR RESISTANT GREY
	180067	COVER PLATE, WATERPROOF RECEPT W/2 DOORS
	1787565	RECEPTACLE, LEVITON EXT W/CVR 220/50 GERMAN (220V)
	627737	BOX, RECEPTACLE/SWITCH PVC 1-GANG DEEP
17	1776899	COMPASS, FLUSH MT 4 3/16" WHT W/CONN
	1776900	COMPASS, FLUSH MT 4 3/16" BLK W/CONN
	1798174	BULB, COMPASS REPL (SUNSHADE)
	1798175	BULB, COMPASS REPL (FRONT)
18	1757822	CONTROL, CNSL MNT DUAL 4000 GEN II
	1757821	CONTROL, CNSL MNT SGL 4000 GEN II (SINGLE ENGINE GAS - HULL# 1223 ONLY)
19	1771016	LIGHT, NAV STERN FLSH MNT RND CHR/BRW W/CONN
	901199	BULB, STERN NAV LIGHT REPL #137406-1227412
20	1799690	PANEL, 290DA-06 IGN/EXTNGSHR INDCTR TE (TWIN ENGINE GAS)
	1799689	PANEL, 290DA-06 IGN/EXTNGSHR INDCTR SE (SINGLE ENGINE GAS - HULL# 1223 ONLY OR DIESEL ENGINE)
	1801702	PANEL, BLANK:290DA-06 IGN/EXTNGSR INDCTR DSL (SINGLE ENGINE DIESEL WITHOUT GENERATOR)
	1801720	PANEL, 290DA-06 GEN REMOTE SW DSL (SINGLE ENGINE DIESEL WITH GENERATOR)
21	1690557	SPEAKER, COAXIAL 6.5" N/CVR
	1690558	GRILL, SPEAKER 6.5" ACOM WHT
	1784476	SPEAKER, POLK/MOMO 6.5"MD-RNG/TWTR/CRSOVR WHT (PREMIUM COCKPIT SOUND SYSTEM - 12 VOLT)

22	1750873	HOLDER, DRINK SS 2-RING 3" (KING)
23	1835981	STEP, ALUM HELM ARWPWRDCT W/ALUM PAN/TKINSRT (HULL# 1467 -> UP)
	1835986	STEP, ALUM HELM NCKLPWRDCT W/ALUM PAN/TKINSRT (HULL# 1467 -> UP) (GEL-COATED DASH - NICKEL)
	1801861	STEP, ALUM 290DA-06 HELM ARWPWRDCT W/TKINSRT (HULL# 1201 -> 1466)
	1808624	STEP, ALUM 290DA-06 HELM NCKPWRDCT W/TKINSRT (HULL# 1201 -> 1466) (GEL-COATED DASH - NICKEL)

## ELECTRICAL

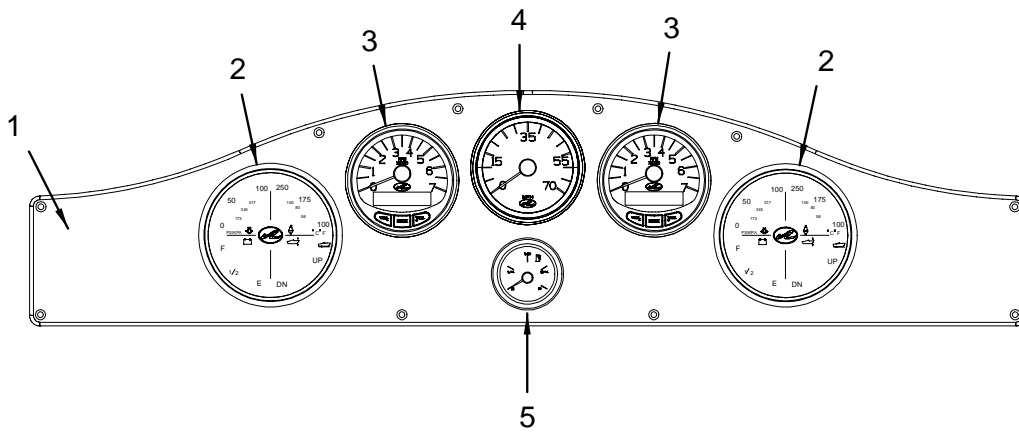
	1771022	ACC PART, MERC ALARM BUZZER W/HARNESS W/CONN
	1753564	HARNESS, MERC CAN LINK
	1810628	MODULE, ELEC INTERFACE FWD S-CRUISER 06 (HULL# 1289 -> UP)
	1797306	MODULE, ELEC INTERFACE FWD S-CRUISER 05 (HULL# 1201 -> 1288)

## LABELS

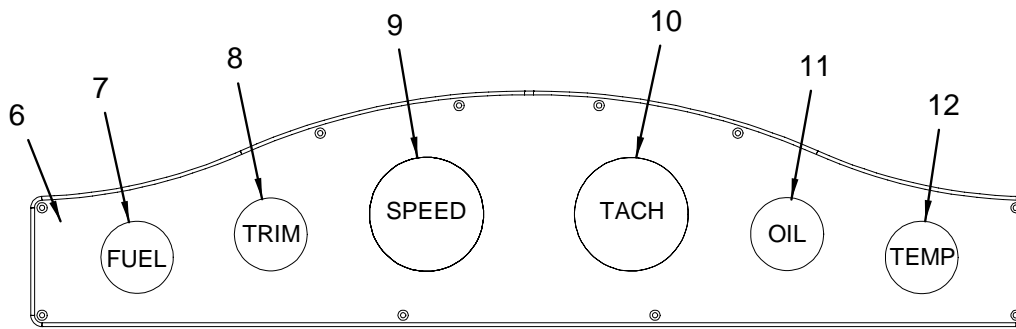
	1749696	LABEL, DANGER COMBO-GAS POWERED BOAT RV1 (GAS ENGINES)
	1744804	LABEL, DANGER COMBO-DSL POWERED BOAT (DIESEL ENGINES)
	1743507	LABEL, DOOR MUST BE SECURED UNDERWAY
	1745519	LABEL, DANGER SHUT OFF ENG WHEN NEAR SWIMMERS
	1746899	LABEL, DANGER CARBON MONOXIDE (LEXAN)
	1752856	LABEL, WARNING LTD VISION FROM HELM STN
	1811368	LABEL, DANGER CO HELM 06
	1752709	PLATE, NMMA YACHT CERT GAS
	1142520	PLATE, CE OPT B:10PERSON/1180KG (C E OPTION GROUP)
	1818577	LABEL, STICKER 290DA CANADIAN CONFORMITY (CANADIAN CONFORMITY STICKER)
	1744355	LABEL, CAUTION HATCH/CANVAS CURTAIN
	1757259	LABEL, GALVANIC ISOLATOR INSTALLED REVERSE...
	1745159	LABEL, CAUTION BUSS ELECTRONICS (LEXAN) (CHARTPLOTTER / GPS - RAYMARINE- C70)

INSTRUMENT PANELS

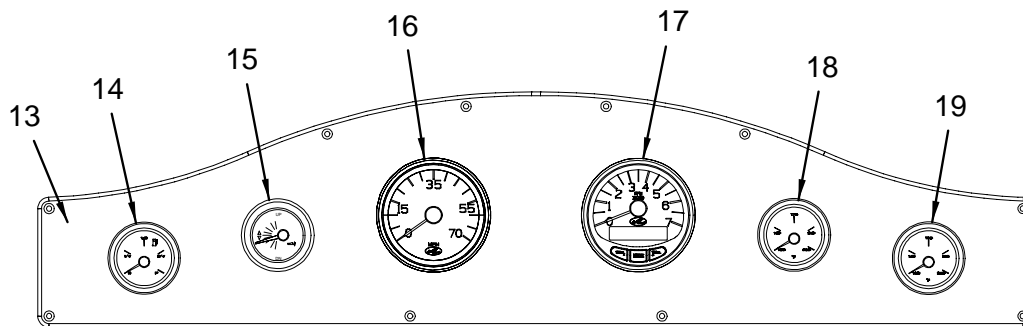
TWIN ENGINE GAS



SINGLE ENGINE DIESEL



SINGLE ENGINE GAS - HULL# 1223 ONLY



**INSTRUMENT PANELS**

- 1 1799682 PANEL, BLANK:290DA-06 INST TE W/SCRFT BLKCRL
- 2 1690511 GAUGE, 5" 4-IN-1 VOLT/OIL/TMP/TRIM S-CRFT
- 1690382 NUT, LOCK 110MM SPIN LOCK VDO
- 3 1777617 GAUGE, SYS TACH 3" S-CRFT 0-7000RPM RV2
- 1689881 GAUGE, LINK TACH 3" S-CRFT 0-6000RPM  
**(SMARTCRAFT SYSTEM VIEW - TWINS ONLY)**
- 1690381 NUT, LOCK 85MM SPIN LOCK VDO
- 4 1777616 GAUGE, SYS SPEED 3"SC 0-70MPH/RV2 POST 2602
- 1689917 GAUGE, LINK SPEED 3" S-CRFT 0-70MPH  
**(SMARTCRAFT SYSTEM VIEW - TWINS ONLY)**
- 1690381 NUT, LOCK 85MM SPIN LOCK VDO
- 5 1689853 GAUGE, FUEL LEVEL S-CRFT 2"
- 1690380 NUT, LOCK 52MM SPIN LOCK VDO
- 6 1799679 PANEL, BLANK:290DA-06 INST SE W/SCRFT BLKCRL  
**(SINGLE ENGINE DIESEL)**  
**(SINGLE ENGINE GAS - HULL# 1223 ONLY)**
- 7 1814095 GAUGE, FUEL VOLVO D3/D4/D6
- 1814102 NUT, LOCK 52MM VOLVO GAUGE
- 8 1814099 GAUGE, TRIM VOLVO D3/D4/D6 (USE MRP#1847401)
- 1814102 NUT, LOCK 52MM VOLVO GAUGE
- 9 1814094 GAUGE, SPEEDO VOLVO D4/D6
- 1814103 NUT, LOCK 85MM VOLVO GAUGE
- 10 1814101 GAUGE, TACH 4000RPM VOLVO D4/D6
- 1814103 NUT, LOCK 85MM VOLVO GAUGE
- 11 1815053 GAUGE, OIL PRESS VOLVO D6
- 1814102 NUT, LOCK 52MM VOLVO GAUGE
- 12 1814097 GAUGE, TEMP "C" VOLVO D3/D4/D6
- 1814102 NUT, LOCK 52MM VOLVO GAUGE
- 13 1799679 PANEL, BLANK:290DA-06 INST SE W/SCRFT BLKCRL  
**(HULL# 1223 ONLY - SINGLE ENGINE GAS)**
- 14 1689853 GAUGE, FUEL LEVEL S-CRFT 2"  
**(HULL# 1223 ONLY - SINGLE ENGINE GAS)**
- 1690380 NUT, LOCK 52MM SPIN LOCK VDO  
**(HULL# 1223 ONLY - SINGLE ENGINE GAS)**
- 15 1690031 GAUGE, ENG TRIM S-CRFT 2"  
**(HULL# 1223 ONLY - SINGLE ENGINE GAS)**
- 1690380 NUT, LOCK 52MM SPIN LOCK VDO  
**(HULL# 1223 ONLY - SINGLE ENGINE GAS)**
- 16 1777616 GAUGE, SYS SPEED 3"SC 0-70MPH/RV2 POST 2602  
**(HULL# 1223 ONLY - SINGLE ENGINE GAS)**
- 1690381 NUT, LOCK 85MM SPIN LOCK VDO  
**(HULL# 1223 ONLY - SINGLE ENGINE GAS)**
- 17 1777617 GAUGE, SYS TACH 3" S-CRFT 0-7000RPM RV2  
**(HULL# 1223 ONLY - SINGLE ENGINE GAS)**
- 1690381 NUT, LOCK 85MM SPIN LOCK VDO  
**(HULL# 1223 ONLY - SINGLE ENGINE GAS)**
- 18 1689852 GAUGE, OIL PRESS 100 PSI S-CRFT 2"  
**(HULL# 1223 ONLY - SINGLE ENGINE GAS)**
- 1690380 NUT, LOCK 52MM SPIN LOCK VDO  
**(HULL# 1223 ONLY - SINGLE ENGINE GAS)**
- 19 1689851 GAUGE, TEMP 250F S-CRFT 2"  
**(HULL# 1223 ONLY - SINGLE ENGINE GAS)**
- 1690380 NUT, LOCK 52MM SPIN LOCK VDO  
**(HULL# 1223 ONLY - SINGLE ENGINE GAS)**

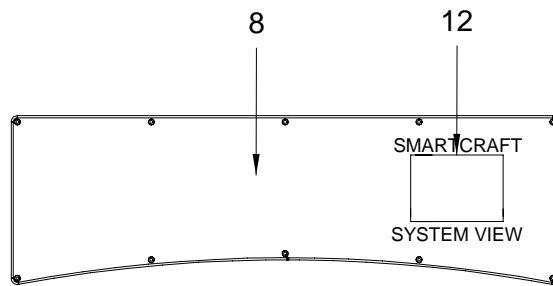
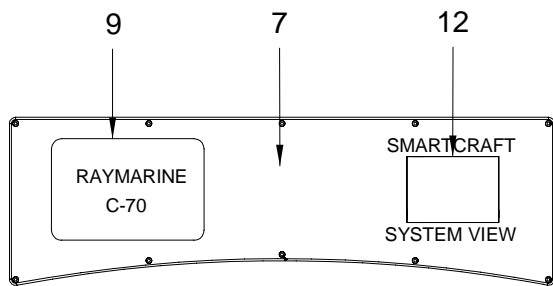
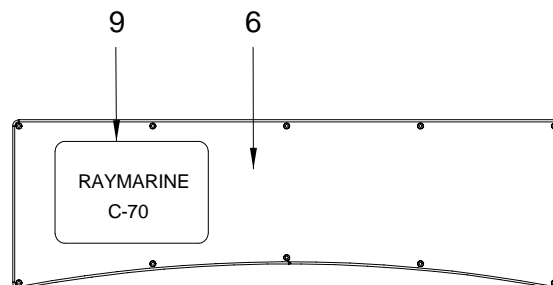
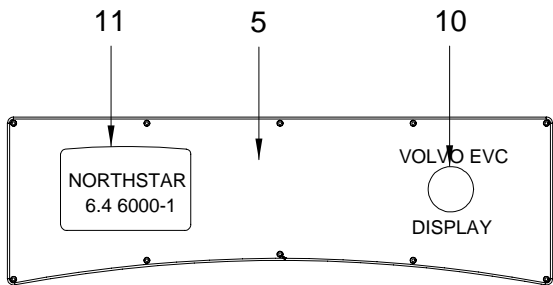
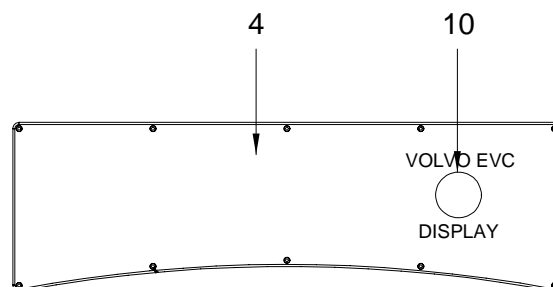
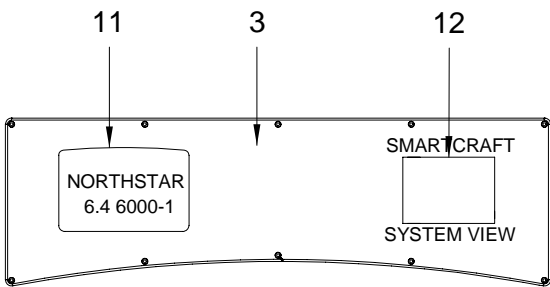
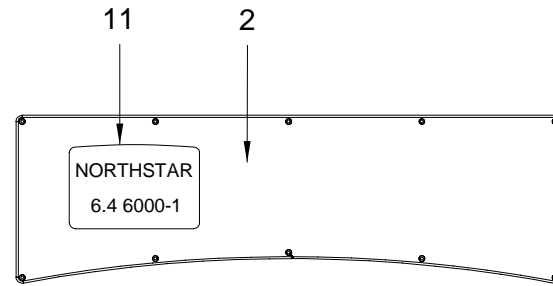
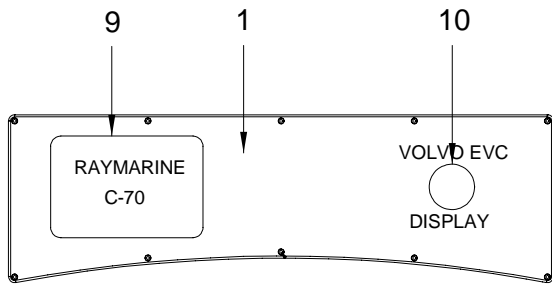
**HARNESSES**

- 1507292 HARNESS, ENG SYSTEMS TACH/MONITOR  
**(GAS ENGINES WITHOUT SMARTCRAFT SYSTEM VIEW- TWINS ONLY)**
- 1798143 HARNESS, ENG MERC S-CRFT SC100 LINK EXT 6"  
**(GAS ENGINES)**
- 1802105 HARNESS, ENG MERC S-CRFT 14 PIN 20'  
**(GAS ENGINES)**
- 1802106 HARNESS, ENG MERC S-CRFT 14 PIN 25'  
**(GAS ENGINES)**
- 1807217 HARNESS, ENG MERC S-CRFT ADAPTR 14 PIN-10 PIN  
**(GAS ENGINES)**
- 1805736 HARNESS, 290DA-06 VOLVO INTERFACE  
**(SINGLE ENGINE DIESEL)**

**NOT SHOWN**

- 1507326 ACC PART, MERC S-CRFT JUNC BOX 4-WAY  
**(GAS ENGINES)**
- 1727800 PITOT, S/CRFT SPEEDO KIT SML BLOCK  
**(GAS ENGINES)**
- 1767746 GAUGE, FUEL 2" SGL STA 12V W/PIGTL  
**(BLANK ENGINE - TWIN ENGINE GAS)**

ELECTRONIC PANELS



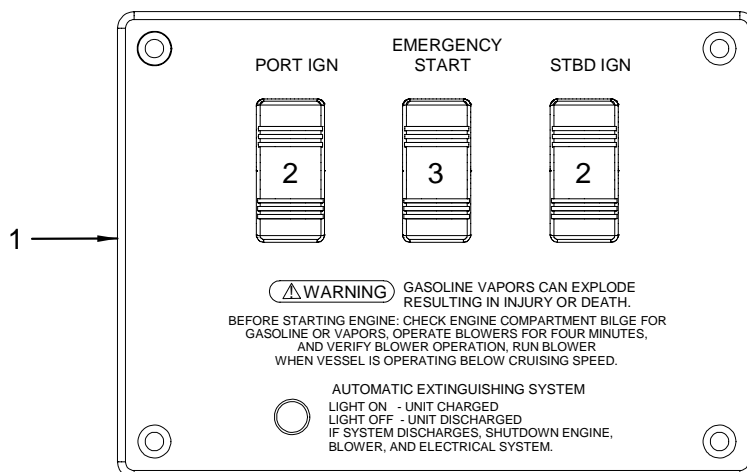
## ELECTRONIC PANELS

- 1 1801690 PANEL, BLANK:290DA-06 ELEC W/VLVO EVC/C70  
(DIESEL ENGINE WITH CHARTPLOTTER / GPS - RAYMARINE-  
C70)
- 2 1801694 PANEL, BLANK:290DA-06 ELEC NRTHSTR 6.4"6000I  
(GAS ENGINE WITH GPS / CHARTPLOTTER - NORTHSTAR  
6000I)
- 3 1801696 PANEL, BLANK:290DA-06 ELEC SYSVW/NSTR 6.4"  
(SMARTCRAFT SYSTEM VIEW/NORTHSTAR 6000I)
- 4 1801688 PANEL, BLANK:290DA-06 ELEC W/VLVO EVC DISPLY  
(DIESEL ENGINE WITHOUT CHARTPLOTTER)
- 5 1801691 PANEL, BLANK:290DA-06 ELEC VLVOEVC/NSTR 6.4"  
(DIESEL ENGINE WITH GPS / CHARTPLOTTER - NORTHSTAR  
6000I)
- 6 1799686 PANEL, BLANK:290DA-06 ELEC W/C70  
(GAS ENGINE WITH CHARTPLOTTER / GPS - RAYMARINE- C70)
- 7 1799687 PANEL, BLANK:290DA-06 ELEC W/SCRFT SYSVW/C70  
(SMARTCRAFT SYSTEM VIEW/RAYMARINE- C70)
- 8 1799685 PANEL, BLANK:290DA-06 ELEC W/S-CRFT SYSVIEW  
(SMARTCRAFT SYSTEM VIEW - TWINS ONLY)
- 9 1772720 NAVIGATION DISPLAY, RAYMARINE C70 7" CLR LCD  
(CHARTPLOTTER / GPS - RAYMARINE- C70)
- 10 1800636 ACC PART, VOLVO D4/D6 EVC DISPLAY  
(SUPPLIED WITH DIESEL ENGINE)
- 11 1792386 NAVIGATOR, NRTHSTR 6000I 6.4" CMPLT PKG  
(GPS / CHARTPLOTTER - NORTHSTAR 6000I)
- 1770972 HARNESS, NRTHSTR 6000I RADAR INTERFACE CBL  
(GPS / CHARTPLOTTER - NORTHSTAR 6000I)
- 1770973 HARNESS, POWER CBL KIT NRTHSTR 6000I  
(GPS / CHARTPLOTTER - NORTHSTAR 6000I)
- 1770976 NAVIGATOR, NRTHSTR 6000I GPS ANTENNA  
(GPS / CHARTPLOTTER - NORTHSTAR 6000I)
- 1770977 NAVIGATOR, NRTHSTR FLUSH MNT KNOB  
(GPS / CHARTPLOTTER - NORTHSTAR 6000I)
- 1792480 NAVIGATION DISPLAY, NRTHSTR 6000I 6.4"  
(GPS / CHARTPLOTTER - NORTHSTAR 6000I)
- 1795140 HARNESS, NRTHSTR 6000I NMEA I/O CBL  
(GPS / CHARTPLOTTER - NORTHSTAR 6000I)
- 1807063 NAVIGATOR, NRTHSTR 6000I INSTALL KIT 6.4"  
(GPS / CHARTPLOTTER - NORTHSTAR 6000I)
- 1770974 HARNESS, GPS CBL 20' NRTHSTR 6000I  
(GPS / CHARTPLOTTER - NORTHSTAR 6000I)
- 1770975 HARNESS, GPS CBL EXT 15' NRTHSTR 6000I  
(GPS / CHARTPLOTTER - NORTHSTAR 6000I)
- 937490 FUSE BLOCK, 10-GNG BLADE-TYPE ELECTRONICS  
(GPS / CHARTPLOTTER - NORTHSTAR 6000I)
- 730994 FUSE, BLADE TYPE CLOSED 7.5A  
(GPS / CHARTPLOTTER - NORTHSTAR 6000I)
- 12 1816009 ACC PART, MERC S-CRFT SYS VIEW '06 VER 3.45  
(HULL# 1509 -> UP)  
(SMARTCRAFT SYSTEM VIEW- TWINS ONLY)
- 1815696 ACC PART, MERC S-CRFT SYS VIEW '06 VER 3.44  
(HULL# 1201 -> 1508)  
(SMARTCRAFT SYSTEM VIEW- TWINS ONLY)

## NOT SHOWN

- 1836860 PANEL, BLANK:290DA-06 ELEC N/CUTOUTS  
(HULL# 1458 -> UP)

## IGNITION/EXTINGUISHER SWITCH PANEL (TWIN ENGINE)

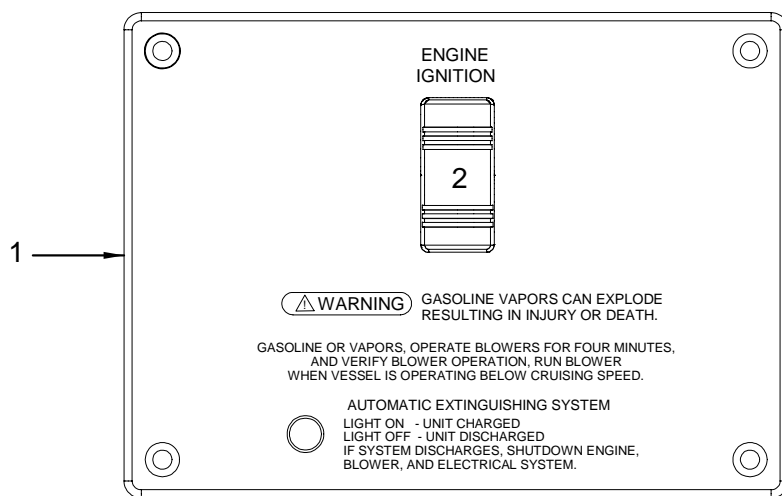


## IGNITION/EXTINGUISHER SWITCH PANEL (TWIN ENGINE)

- |   |         |   |
|---|---------|---|
| 1 | 1799690 | PANEL, 290DA-06 IGN/EXTNGSHR INDCTR TE        |
|   | 1799688 | PANEL, BLANK:290DA-06 IGN/EXTNGSHR INDCTR TE  |
| 2 | 1457159 | ACTUATOR, ROCK BLK W/O LENS ENG STRT/STP CNT4 |
|   | 1544196 | SWITCH, DBL 2-CIRCUIT PROGRESSIVE             |
| 3 | 1526698 | BODY, ROCK SW DPST MOM W/O BARRIER            |
|   | 1457167 | ACTUATOR, ROCK BLK W/O LENS ENG STRT CNTRL4   |



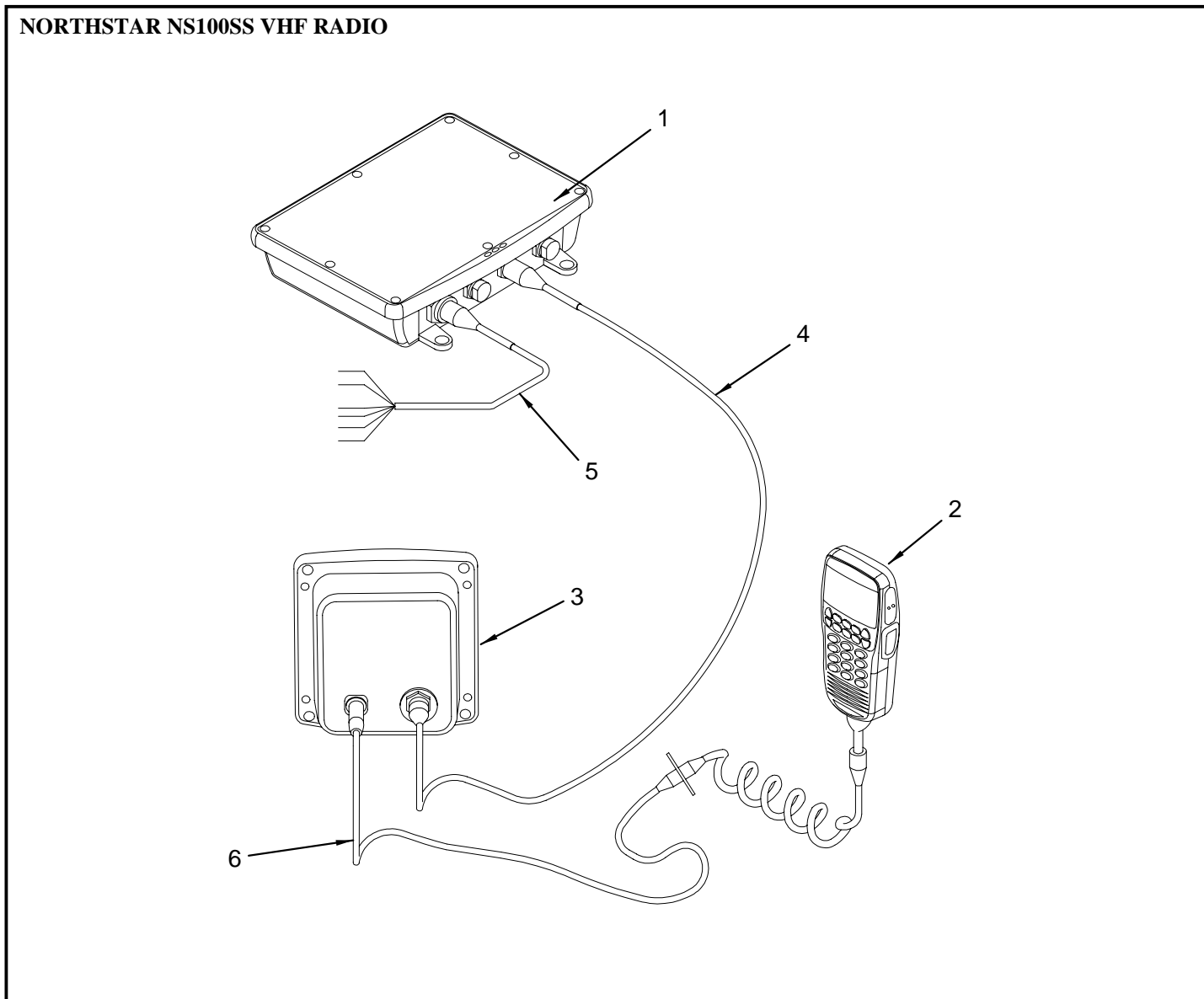
**IGNITION/EXTINGUISHER SWITCH PANEL (SINGLE ENGINE)**



**IGNITION/EXTINGUISHER SWITCH PANEL (SINGLE ENGINE)**

- 1 1799689 PANEL, 290DA-06 IGN/EXTNGSHR INDCTR SE (DIESEL ENGINE) (HULL# 1223 ONLY GAS ENGINE)
- 1801701 PANEL, BLANK:290DA-06 IGN/EXTNGSHR INDCTR SE (DIESEL ENGINE) (HULL# 1223 ONLY GAS ENGINE)
- 2 1323070 ACTUATOR, ROCK BLK W/O LENS ENG STRT/STP
- 1544196 SWITCH, DBL 2-CIRCUIT PROGRESSIVE

**NORTHSTAR NS100SS VHF RADIO**



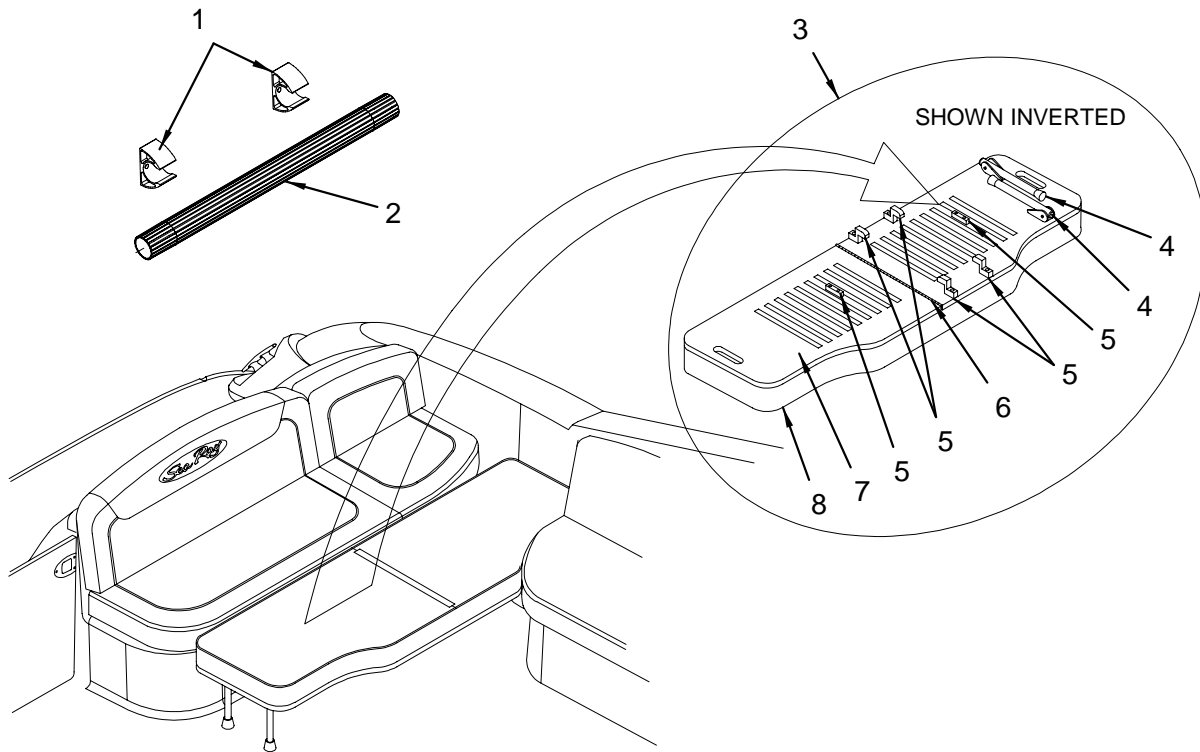
**NORTHSTAR NS100SS VHF RADIO**

- 1 1807908 BASE, PLAS NRTHSTR VHF RADIO BLKBOX
- 2 1807910 RADIO, VHF NRTHSTR BLKBOX HANDSET
- 1851777 RADIO, VHF MIC CLIP ONLY
- 3 1807911 SPEAKER, REMOTE NRTHSTR VHF BLKBOX
- 4 1807869 HARNESS, NRTHSTR VHF BLKBX TO SPKR CBL 72"
- 5 1807871 HARNESS, NRTHSTR VHF BLKBX PWR CBL 6'
- 6 1807870 HARNESS, NRTHSTR VHF BLKBX SPKR-HNDSET EXT 3'

**NOT SHOWN**

- 1807449 RADIO, VHF NRTHSTAR NS100

**COCKPIT (AFT VIEW) SUNPAD**

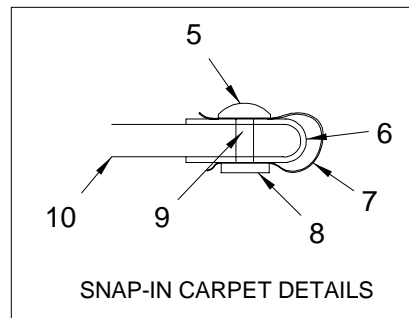
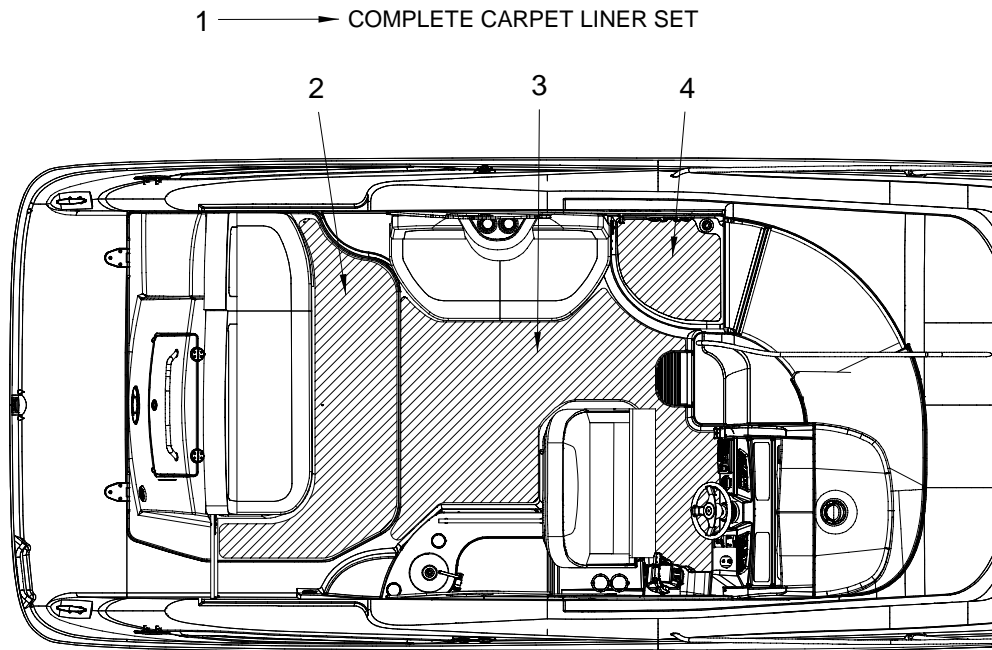


**NOTE:**  
 THERE ARE TWO COLOR OF CLEATS ON BOTTOM OF BASE.  
 VENDOR DOES NOT SEPARATE BREAKDOWN. WHEN ORDERING  
 SPECIFY COLOR - WHITE OR GREY. PRICE IS FOR EACH WITH A  
 QUANTITY OF ONE.

**COCKPIT (AFT VIEW) SUNPAD**

- 1 1500552 CLIP, TABLE LEG 60MM TUBE BLK  
 (HULL# 1436 -> UP)  
 (COCKPIT SUN PAD SEATING)  
 (LOCATED IN AFT SEAT BASE STORAGE)
- 2 992495 POST, TABLE LEG 11.75" ANOD FLUTED  
 (HULL# 1436 -> UP)  
 (COCKPIT SUN PAD SEATING)  
 (LOCATED IN AFT SEAT BASE STORAGE)
- 3 1838166 CUSH, 290DA-06 SNPD FILR W/BASE  
 (HULL# 1436 -> UP)  
 (COCKPIT SUN PAD SEATING)
- 4 1849985 LEG, FLDWN 290DA-06 SNPD FILR
- 5 1849982 CLEAT, HDPE 290DA-06 SNPD FILR
- 6 1849986 HINGE, 290DA-06 SNPD FILR BASE
- 7 1849981 BASE, HDPE 290DA-06 SNPD FILR
- 8 1849979 CUSH, 290DA-06 SNPD FILR  
 1849980 CUSH SKN, 290DA-06 SNPD FILR

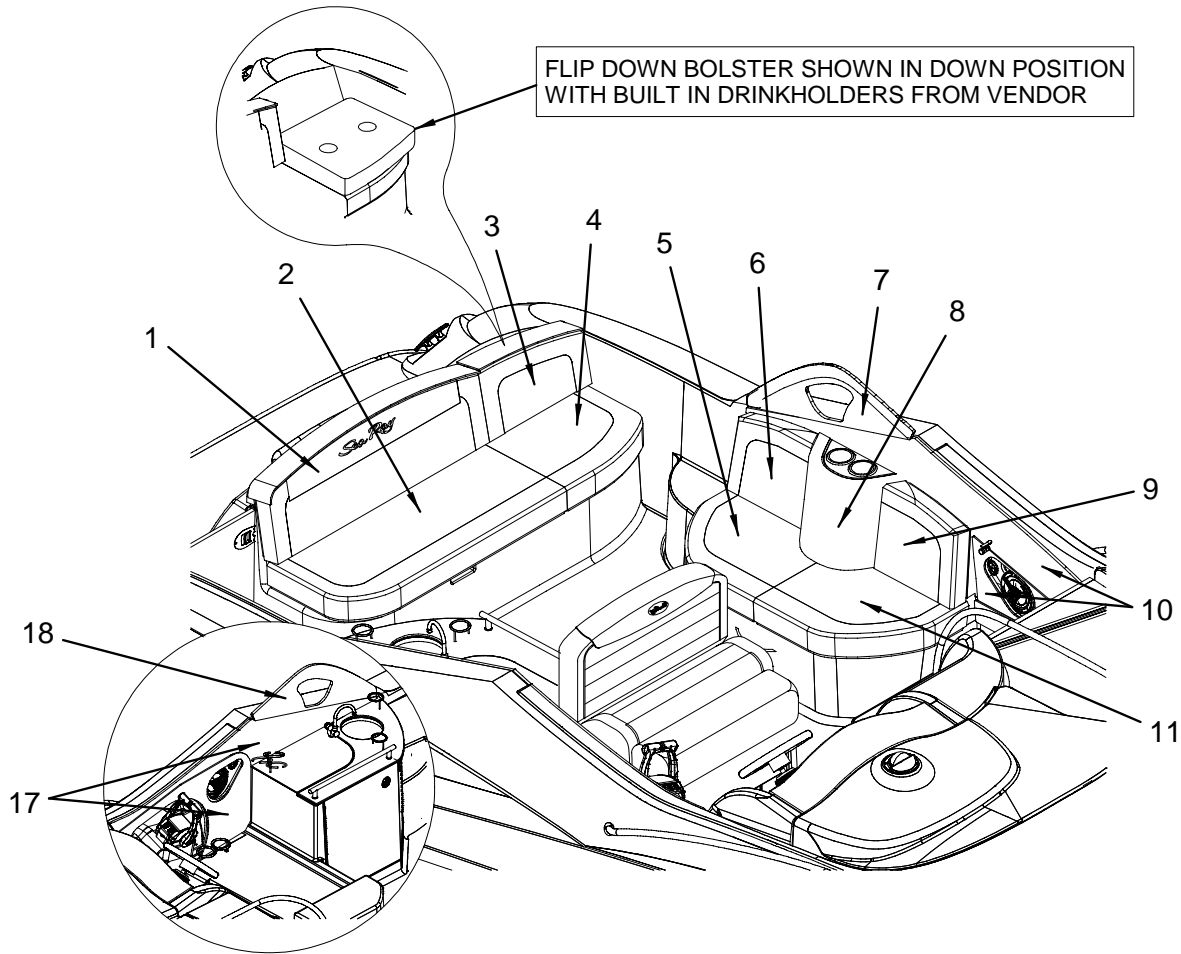
**COCKPIT SNAP-IN CARPET LINER**



**COCKPIT SNAP-IN CARPET LINER**

- 1 1809055 290DA 06,CARPET,SNPN LINER CMPLT
- 2 1809056 290DA 06,CARPET,AFT SNPN
- 3 1809057 290DA 06,CARPET,CTR SNPN
- 4 1809058 290DA 06,CARPET,FWD SNPN
- 5 154369 SNAP STUD, W/#8 X 3/8" PH SS
- 6 800326 BINDING, CANVAS 1" LINEN STRAIGHT SUNBRELLA
- 7 1790664 SNAP REINFORCEMENT, PLAS BACKER 500 PC/ROLL
- 8 1163864 SNAP SOCKET, W/ 1/8" HOLE
- 9 1163872 SNAP BUTTON, W/ 1/8" BARREL
- 10 1609916 CARPET, EXT 28 OZ DUNE PEBBLE #902 RL 7"W

COCKPIT (UPHOLSTERY)

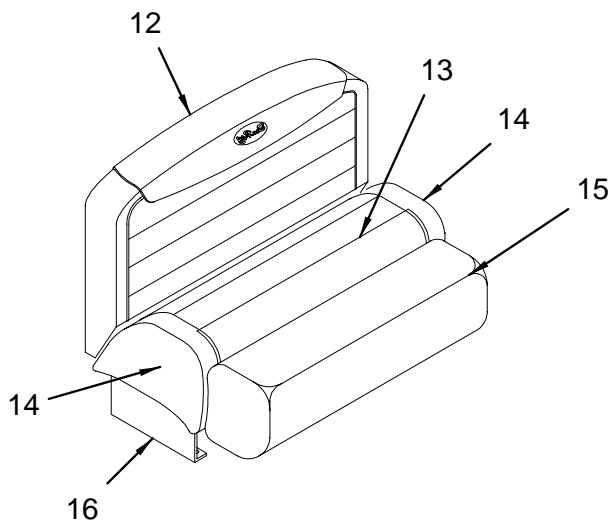


FLIP DOWN BOLSTER SHOWN IN DOWN POSITION WITH BUILT IN DRINKHOLDERS FROM VENDOR

STB SIDE PANELS

DOUBLE HELM SEAT BOATS LISTED BELOW:

HULL# 1381, 1383, 1387, 1389, 1391, 1395, 1397, 1400, 1401, 1403, 1405, 1407, 1408, 1410, 1411, 1412, 1414, 1416, 1417, 1418, 1420, 1422, 1423, 1424 AND 1426 -> UP



**COCKPIT (UPHOLSTERY)**

- 1 1808382 CUSH, 290DA-06 AFT SEAT B/R STB  
1809068 CUSH SKN, 290DA-06 AFT SEAT B/R STB
- 2 1808380 CUSH, 290DA-06 AFT SEAT STB  
1809123 CUSH SKN, 290DA-06 AFT SEAT STB
- 3 1808381 CUSH, 290DA-06 AFT SEAT FLIP-DWN B/R PRT  
1809124 CUSH SKN, 290DA-06 AFT ST B/R PRT W/DRNKHLD
- 4 1808379 CUSH, 290DA-06 AFT SEAT PRT  
1809070 CUSH SKN, 290DA-06 AFT SEAT PRT
- 5 1808384 CUSH, 290DA-06 PRT SEAT AFT  
1809125 CUSH SKN, 290DA-06 PRT SEAT AFT
- 6 1808386 CUSH, 290DA-06 PRT SEAT B/R AFT  
1809126 CUSH SKN, 290DA-06 PRT SEAT B/R AFT
- 7 1808392 PANEL, 290DA-06 PRT SIDE UP  
1811963 FILLER, LDPVC CKPT SIDE PNL SPKR ARW
- 8 1808387 CUSH, 290DA-06 PRT SEAT B/R CNTR COLUMN  
1809127 CUSH SKN, 290DA-06 PRT SEAT B/R CNTR COLUMN
- 9 1808385 CUSH, 290DA-06 PRT SEAT B/R FWD  
1809128 CUSH SKN, 290DA-06 PRT SEAT B/R FWD
- 10 1808393 PANEL, 290DA-06 PRT SIDE LWR
- 11 1808383 CUSH, 290DA-06 PRT SEAT FWD  
1809129 CUSH SKN, 290DA-06 PRT SEAT FWD
- 12 1833467 CUSH, 290DA-06 DBL H/S B/R  
(REFER TO GRAPHIC FOR HULL#)  
1838753 CUSH SKN, 290DA-06 DBL H/S B/R  
(REFER TO GRAPHIC FOR HULL#)  
1838314 290DA 06,H/S SHELL,FBRGLS  
(REFER TO GRAPHIC FOR HULL#)
- 13 1833468 CUSH, 290DA-06 DBL H/S  
(REFER TO GRAPHIC FOR HULL#)  
1838754 CUSH SKN, 290DA-06 DBL H/S BTM  
(REFER TO GRAPHIC FOR HULL#)  
1798770 BRACKET, HELM SEAT 3/4"X2.25"X1/2"OFF-SET SS
- 14 1833470 CUSH, 290DA-06 DBL H/S SIDE BLSTR P&S  
(REFER TO GRAPHIC FOR HULL#)  
1838755 CUSH SKN, 290DA-06 DBL H/S SIDE BLSTR PRT/STB  
(REFER TO GRAPHIC FOR HULL#)
- 15 1833469 CUSH, 290DA-06 DBL H/S THGHRS W/BRKTS  
(REFER TO GRAPHIC FOR HULL#)  
1838756 CUSH SKN, 290DA-06 DBL H/S THRS  
(REFER TO GRAPHIC FOR HULL#)
- 16 1726762 SUPPOT, ALUM 340DA-03 BKT SEAT PWDRCT  
(REFER TO GRAPHIC FOR HULL#)
- 17 1808395 PANEL, 290DA-06 STB SIDE LWR
- 18 1808394 PANEL, 290DA-06 STB SIDE UP  
1811964 FILLER, LDPVC CKPT SIDE PNL SPKR 2PC

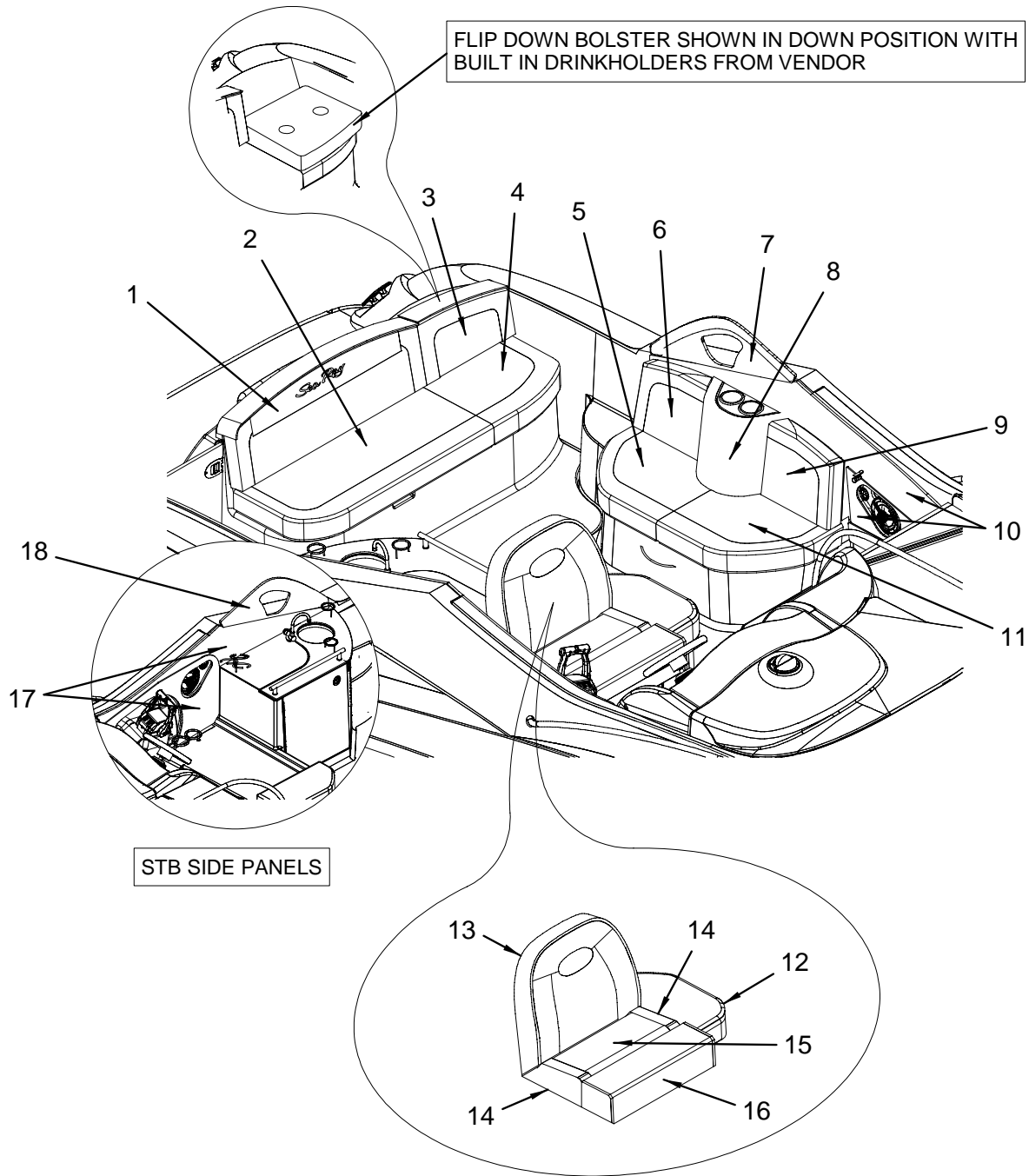
**COCKPIT STORAGE/NON-VISIBLE CARPET**

- 1752085 CARPET, EXT 24 OZ NICKEL BT

**NOT SHOWN**

- 1820025 UPH PARTS, DOUBLE END TREE CLIP 1M/CTN F

COCKPIT (UPHOLSTERY) CONTINUED



SINGLE HELM SEAT BOATS W/SIDE COMPANION SEAT LISTED BELOW:

- HULL# 1201 -> 1380, 1382, 1384, 1385, 1386,  
 1388, 1390, 1392, 1393, 1394, 1396, 1398,  
 1399, 1402, 1404, 1406, 1409, 1413, 1415,  
 1419, 1421 AND 1425

**COCKPIT (UPHOLSTERY) CONTINUED**

- 1 1808382 CUSH, 290DA-06 AFT SEAT B/R STB
- 1809068 CUSH SKN, 290DA-06 AFT SEAT B/R STB
- 2 1808380 CUSH, 290DA-06 AFT SEAT STB
- 1809123 CUSH SKN, 290DA-06 AFT SEAT STB
- 3 1808381 CUSH, 290DA-06 AFT SEAT FLIP-DWN B/R PRT
- 1809124 CUSH SKN, 290DA-06 AFT ST B/R PRT W/DRNKHLD
- 4 1808379 CUSH, 290DA-06 AFT SEAT PRT
- 1809070 CUSH SKN, 290DA-06 AFT SEAT PRT
- 5 1808384 CUSH, 290DA-06 PRT SEAT AFT
- 1809125 CUSH SKN, 290DA-06 PRT SEAT AFT
- 6 1808386 CUSH, 290DA-06 PRT SEAT B/R AFT
- 1809126 CUSH SKN, 290DA-06 PRT SEAT B/R AFT
- 7 1808392 PANEL, 290DA-06 PRT SIDE UPR
- 1811963 FILLER, LDPVC CKPT SIDE PNL SPKR ARW
- 8 1808387 CUSH, 290DA-06 PRT SEAT B/R CNTR COLUMN
- 1809127 CUSH SKN, 290DA-06 PRT SEAT B/R CNTR COLUMN
- 9 1808385 CUSH, 290DA-06 PRT SEAT B/R FWD
- 1809128 CUSH SKN, 290DA-06 PRT SEAT B/R FWD
- 10 1808393 PANEL, 290DA-06 PRT SIDE LWR
- 11 1808383 CUSH, 290DA-06 PRT SEAT FWD
- 1809129 CUSH SKN, 290DA-06 PRT SEAT FWD
- 12 1808391 CUSH, 290DA-06 HELM COMP SEAT  
(REFER TO GRAPHIC FOR HULL#)
- 1809130 CUSH SKN, 290DA-06 HELM COMP SEAT  
(REFER TO GRAPHIC FOR HULL#)
- 13 1808388 CUSH, 290DA-06 HELM SEAT B/R  
(REFER TO GRAPHIC FOR HULL#)
- 1809133 CUSH SKN, 290DA-06 HELM SEAT B/R  
(REFER TO GRAPHIC FOR HULL#)
- 14 1810071 CUSH, 290DA-06 HELM SEAT SIDE BLSTRS P&S  
(REFER TO GRAPHIC FOR HULL#)
- 15 1808389 CUSH, 290DA-06 HELM SEAT  
(REFER TO GRAPHIC FOR HULL#)
- 1809132 CUSH SKN, 290DA-06 HELM SEAT  
(REFER TO GRAPHIC FOR HULL#)
- 1590447 TRACK ASSY, HELMSEAT W/KNOB/CLIP LOPRO 15.5"  
(REFER TO GRAPHIC FOR HULL#)
- 1798770 BRACKET, HELM SEAT 3/4"X2.25"X1/2"OFF-SET SS
- 1801860 SHIM, HDPE 1"X 2.5"X 9 1/8"ARW HELM SEAT  
(REFER TO GRAPHIC FOR HULL#)
- 16 1808390 CUSH, 290DA-06 H/S THRS W/BRKTS  
(REFER TO GRAPHIC FOR HULL#)
- 1809131 CUSH SKN, 290DA-06 HELM ST THGH-RSE W/BRKTS  
(REFER TO GRAPHIC FOR HULL#)
- 17 1808395 PANEL, 290DA-06 STB SIDE LWR
- 18 1808394 PANEL, 290DA-06 STB SIDE UPR
- 1811964 FILLER, LDPVC CKPT SIDE PNL SPKR 2PC

**COCKPIT STORAGE/NON-VISIBLE CARPET**

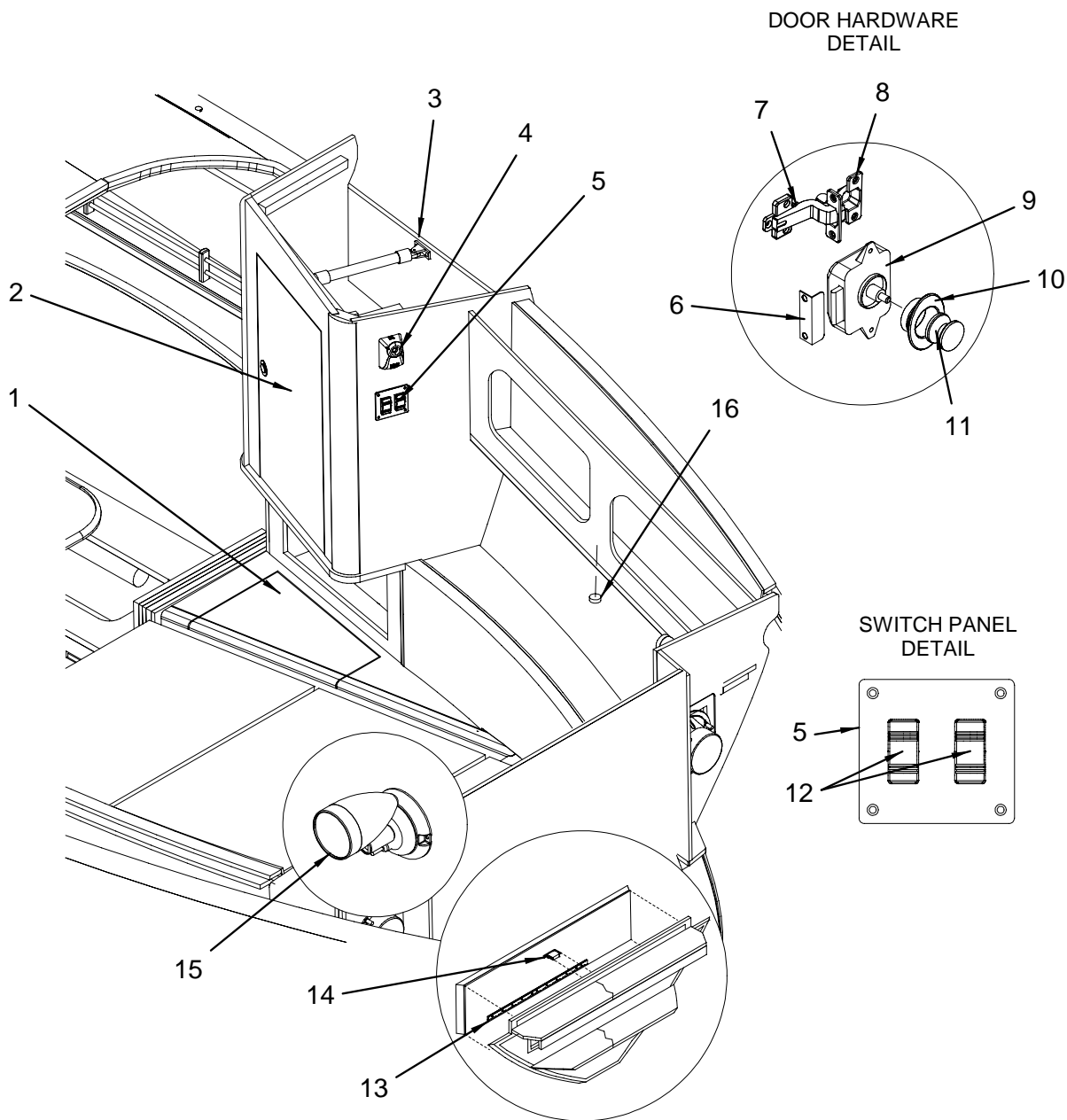
- 1752085 CARPET, EXT 24 OZ NICKEL BT

**NOT SHOWN**

- 1820025 UPH PARTS, DOUBLE END TREE CLIP 1M/CTN F



FORWARD STATEROOM (PORT VIEW)



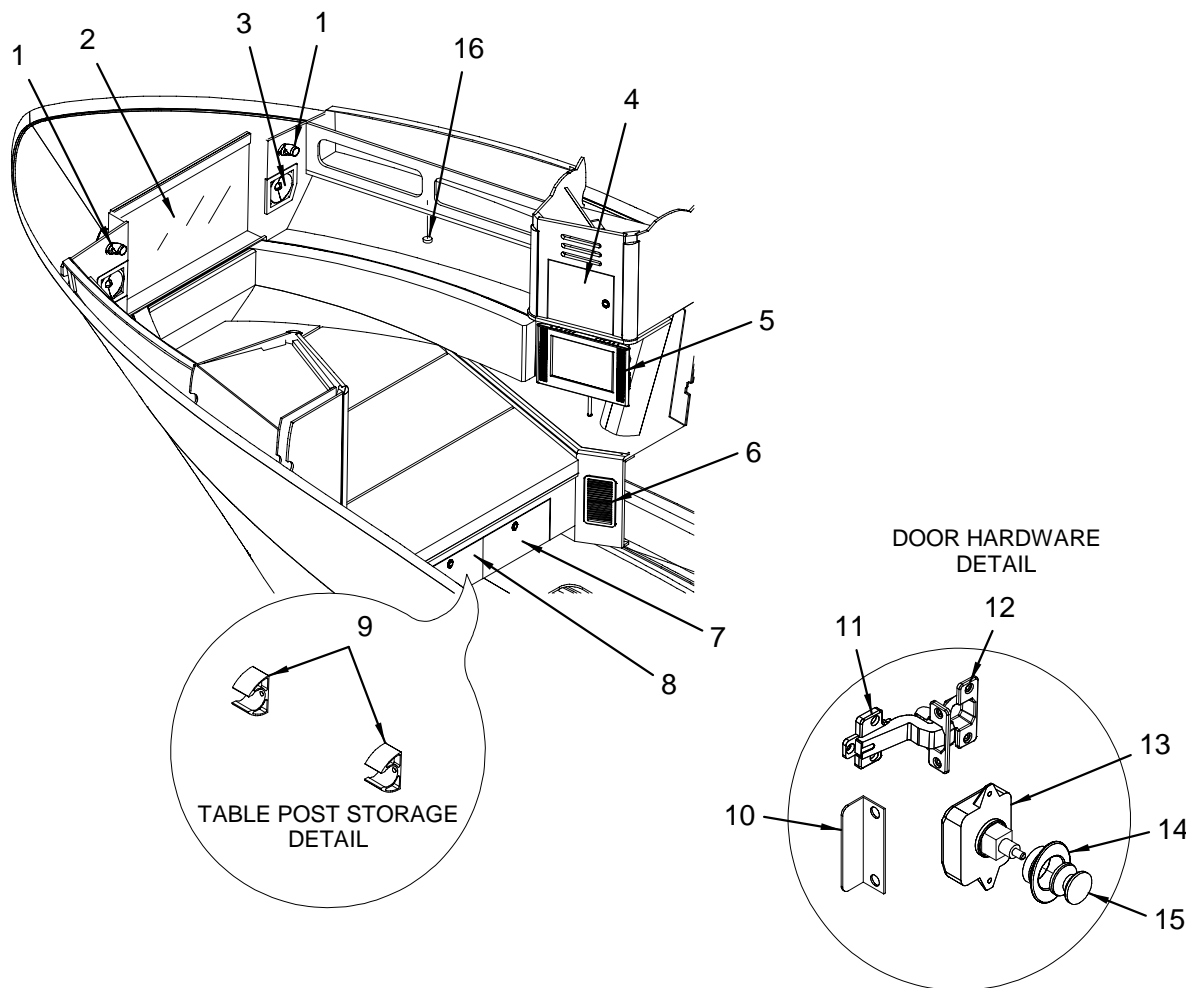
**FORWARD STATEROOM (PORT VIEW)**

- 1 1810590 290DA 06,DOOR,STRG PRT FWDSTRM
- 2 1810588 290DA 06,DOOR,H/L PRT FWDSTRM
- 3 799114 BAR, HANGING ROD (CLOTHES) ALUM 12.75"
- 4 1816919 MONITOR, CO DETECTOR WHT CMD-4-RLY  
(HULL# 1298 -> UP)
- 1816921 PLATE, CO MONITOR BCKNG CMD-4M-RLY-FCB W/CONN  
(HULL# 1298 -> UP)
- 1781228 MONITOR, CO DETECTOR WHT CMD-4  
(HULL# 1201 -> 1297)
- 1782156 PLATE, CO MONITOR BCKNG WHT CMD-4  
(HULL# 1201 -> 1297)
- 5 1804371 PANEL, 290DA-06 CABIN LT SW DUAL 2-WAY BLK
- 6 761445 CATCH, RIM-LOCK STRIKE PLATE
- 7 839399 HINGE, SELF CLOSING BLUM SCREW-ON
- 8 525667 HINGE, CONCEALED FULL OVERLAY MT PLATE ONLY
- 9 772418 CATCH, RIM-LOCK WHT
- 10 1776837 PULL, ROSETTE SAT/NCKL RND 16MM (5/8")
- 11 1742136 PULL, PUSH-BUTTON KNOB SAT/NCKL
- 12 1609312 BODY, ROCK SW SPDT BLK 12V INCAND NON-LIT
- 1541655 ACTUATOR, ROCK SWITCH-LIGHTS BLK
- 13 1817501 HINGE, AL CONT 3"X 53.75" SAT
- 14 390849 CATCH, GRABBER LATCH W/10LB HOLD BLK PLAS
- 15 1803184 SPOTLIGHT, SWVL TASK BRSHD SS W/SW W/CONN
- 1820310 BULB, REPL FOR #1803184/1831205
- 16 1803185 LIGHT, INDIRECT LED WHT BUTTON W/COLLAR/CONN  
(LED NOT REPLACEABLE)

**NOT SHOWN**

- 835835 BRACKET, ALUM 1"X 1"X 3" 3/16"HOLES 2SIDES
- 835850 BRACKET, ALUM 1"X 1"X 1" 3/16"HOLES
- 952804 BRACKET, ALUM 2"X 1/8"X 5" 8@3/16"HOLES
- 663708 BUMPER, CLEAR .020" THICK  
(DOOR BUMPER)
- 798314 SNAP CAP, PRESS-ON COVER #2 PHILLIP BLK
- 563205 TRIM, VINYL 5/8" POLISHED CHROME
- 1764546 SCREEN, DECK TRAPEZOID SKYSCREEN MK5
- 1806312 TRIM RING, T/F SKYLIGHT INR CUSTOM PRT TAN
- 1806313 TRIM RING, T/F SKYLIGHT INR CUSTOM STB TAN

**FORWARD STATEROOM (STARBOARD VIEW)**



**FORWARD STATEROOM (STARBOARD VIEW)**

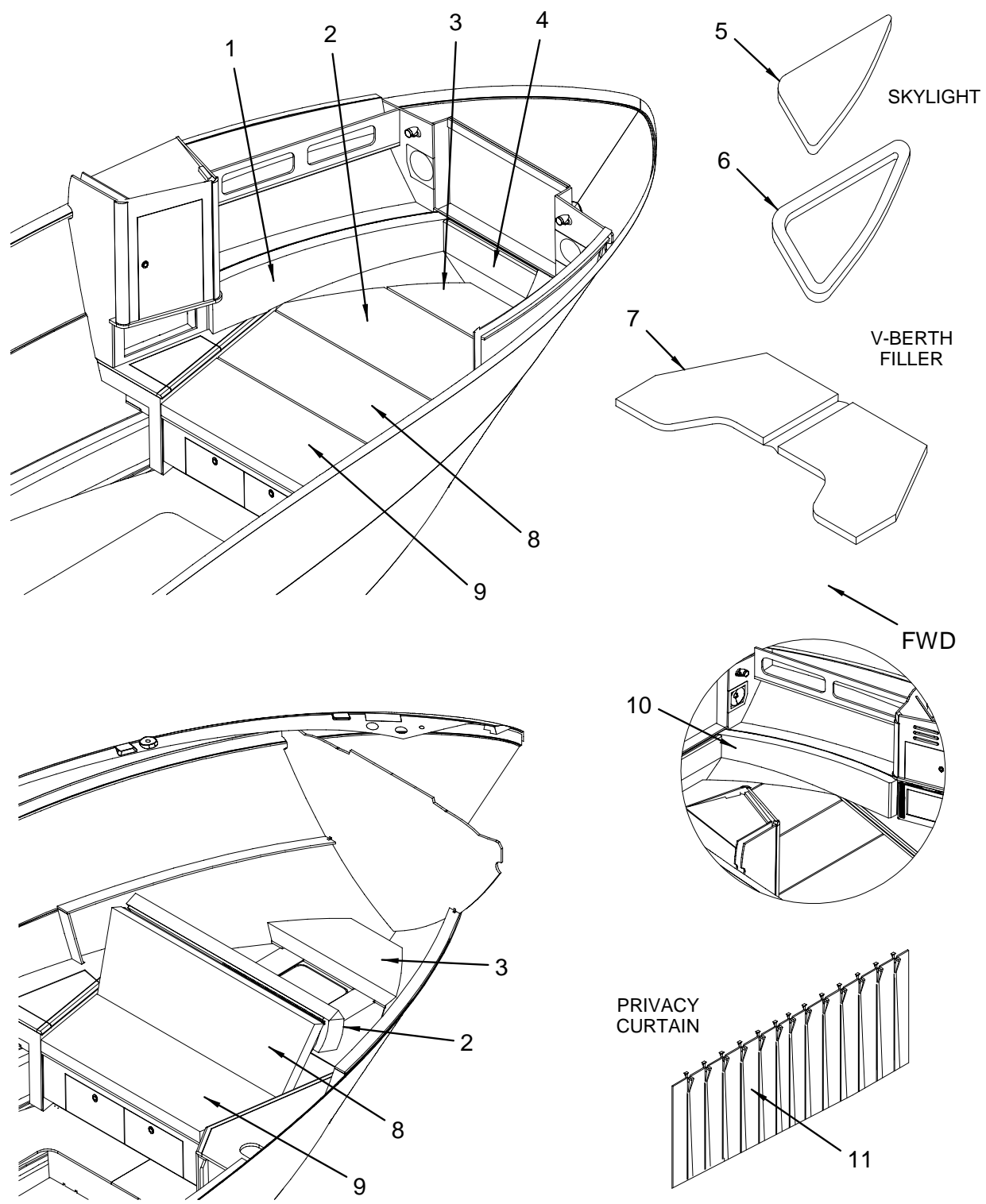
- 1 1803184 SPOTLIGHT, SWVL TASK BRSHD SS W/SW W/CONN
- 1820310 BULB, REPL FOR #1803184/1831205
- 2 1807859 290DA 06,MIR ASSY,FWDSTRM
- 1806431 MIRROR, 1/8"X 21.25"P/E X 35.5"CLEAR
- 3 1690557 SPEAKER, COAXIAL 6.5" N/CVR
- 4 1807860 290DA 06,DOOR,STRG UPR STB FWDSTRM
- 5 1804801 TELEVISION, 15" LG LCD W/SIDE SPKRS  
(TV 15" FLAT SCREEN W / DVD - SALON)
- 1804807 TELEVISION, 15" LG LCD PAL  
(TV 15" FLAT SCREEN W / DVD - SALON)  
(PAL T.V. TUNER)
- 1787507 RECEPTACLE, DUPLEX BRN 15A LVT
- 1787508 COVER PLATE, SGL DUPLEX RECEPT BRN LVT
- 1768472 PLUG, 220V BLK RECEPTACLE  
(220V)
- 6 859280 A/C COMP, GRILL 6X10 CLW  
(AIR CONDITIONING / HEATING-3/4 TON)
- 7 1807861 290DA 06,DOOR,STRG LWR STB FWDSTRM
- 8 1807862 290DA 06,DOOR,STRG LWR PRT FWDSTRM
- 9 1500552 CLIP, TABLE LEG 60MM TUBE BLK
- 10 761445 CATCH, RIM-LOCK STRIKE PLATE
- 11 839399 HINGE, SELF CLOSING BLUM SCREW-ON
- 12 525667 HINGE, CONCEALED FULL OVERLAY MT PLATE ONLY
- 13 772418 CATCH, RIM-LOCK WHT
- 14 1776837 PULL, ROSETTE SAT/NCKL RND 16MM (5/8")
- 15 1742136 PULL, PUSH-BUTTON KNOB SAT/NCKL

- 16 1803185 LIGHT, INDIRECT LED WHT BUTTON W/COLLAR/CONN  
(LED NOT REPLACEABLE)

**NOT SHOWN**

- 663708 BUMPER, CLEAR .020" THICK  
(DOOR BUMPER)

FORWARD STATEROOM (UPHOLSTERY)



**FORWARD STATEROOM (UPHOLSTERY)**

1	1807807	290DA 06,BLSTR,PRT FWDSTRM
	1807808	290DA 06,BLSTR SKN,PRT FWDSTRM
2	1807815	290DA 06,CUSH,CTR FWD FWDSTRM
	1807816	290DA 06,CUSH SKN,CTR FWD FWDSTRM
3	1807813	290DA 06,CUSH,FWD FWDSTRM
	1807814	290DA 06,CUSH SKN,FWD FWDSTRM
4	1807812	290DA 06,BLSTR,CTR FWDSTRM
	1807811	290DA 06,BLSTR SKN,CTR FWDSTRM
5	1835591	290DA 06,CVR,PRT SKYLIGHT FWDSTRM
	1835592	290DA 06,CVR,STB SKYLIGHT FWDSTRM
6	1835589	290DA 06,MUFF,PRT SKYLIGHT FWDSTRM
	1835590	290DA 06,MUFF,STB SKYLIGHT FWDSTRM
7	1835593	290DA 06,CUSH,FILR FWDSTRM
	1835594	290DA 06,CUSH SKN,FILR FWDSTRM
8	1807818	290DA 06,CUSH,CTR AFT FWDSTRM
	1807817	290DA 06,CUSH SKN,CTR AFT FWDSTRM
9	1807819	290DA 06,CUSH,AFT FWDSTRM
	1807820	290DA 06,CUSH SKN,AFT FWDSTRM
10	1807809	290DA 06,BLSTR,STB FWDSTRM
	1807810	290DA 06,BLSTR SKN,STB FWDSTRM
11	1801789	CURTAIN, 290DA-06 VERONA GLOW FWD PRIV
	186676	UPH PARTS, DRAPE CEILING BRKT
	221325	UPH PARTS, END STOP W/SCREW
	737239	TRACK, ALUM CURT TRK 8' 1 BEAM TYPE

**CUSHION MATERIAL**

1003474	VINYL, ALLANTE II CREAM EXP FLAT (INTERIOR A)
1079797	VINYL, ALLANTE II CHAMPAGNE EXP FLAT (INTERIOR C)
1781416	VINYL, ALLANTE II FAWN EXP FLAT (INTERIOR B)
1003474	VINYL, ALLANTE II CREAM EXP FLAT (INTERIOR D)

**FABRICS**

1768940	FABRIC, GLAMOUR OATML FLAT (INTERIOR A)
1816597	FABRIC, GLAMOUR TUSK FLAT (INTERIOR A)
1792431	FABRIC, MONDAVI BK STRAW FLAT (INTERIOR B)
1799802	FABRIC, SEQUENCE BK/SLATE FLAT (INTERIOR B)
1792435	FABRIC, MAGNETIC/HEMP FLAT (INTERIOR C)
1792441	FABRIC, METROLINER/CATTAIL FLAT (INTERIOR C)
1792444	FABRIC, SLEEK/WHEAT FLAT (INTERIOR D)

**FOAM**

1806434	FOAM, P/C 290DA-06 FWD STRM CUSH ST
---------	-------------------------------------

**HEADLINER/HULL LINER/WASHABLE SURFACE**

1140367	VINYL, RVIEW LT CAMEO N/W FLAT
1747515	VINYL, RVIEW LT CAMEO N/W 1/4"FB
1736787	VINYL, RVIEW LT CAMEO N/W 1/2"FB
1142181	WELT, RVIEW LT CAMEO 5/32"

**INTERIOR CARPET**

1467182	CARPET, INT 44 OZ WHEATON 6"W 100% BCF NYLON
---------	--

**PILLOW PACKAGES**

1794279	PILLOW PKG, 2006/07 SPCR VBRTH/MIDCAB PKGA(2)
1794282	PILLOW PKG, 2006 SPCR VBRTH PKGB (2)
1794296	PILLOW PKG, 2006 SPCR VBRTH PKGC (2)
1794299	PILLOW PKG, 2006/07 SPCR VBRTH PKGD (2)

**SPEAKER COVER MATERIAL**

1090430	FABRIC, SPKR CLOTH CREPE BUFF #18994 1/8"FB
---------	---

**STORAGE & BUNK TOPS**

1128487	FABRIC, GEOMETRIC STRAW (NDLPNCH) W/BACK
---------	--

**UPHOLSTERY**

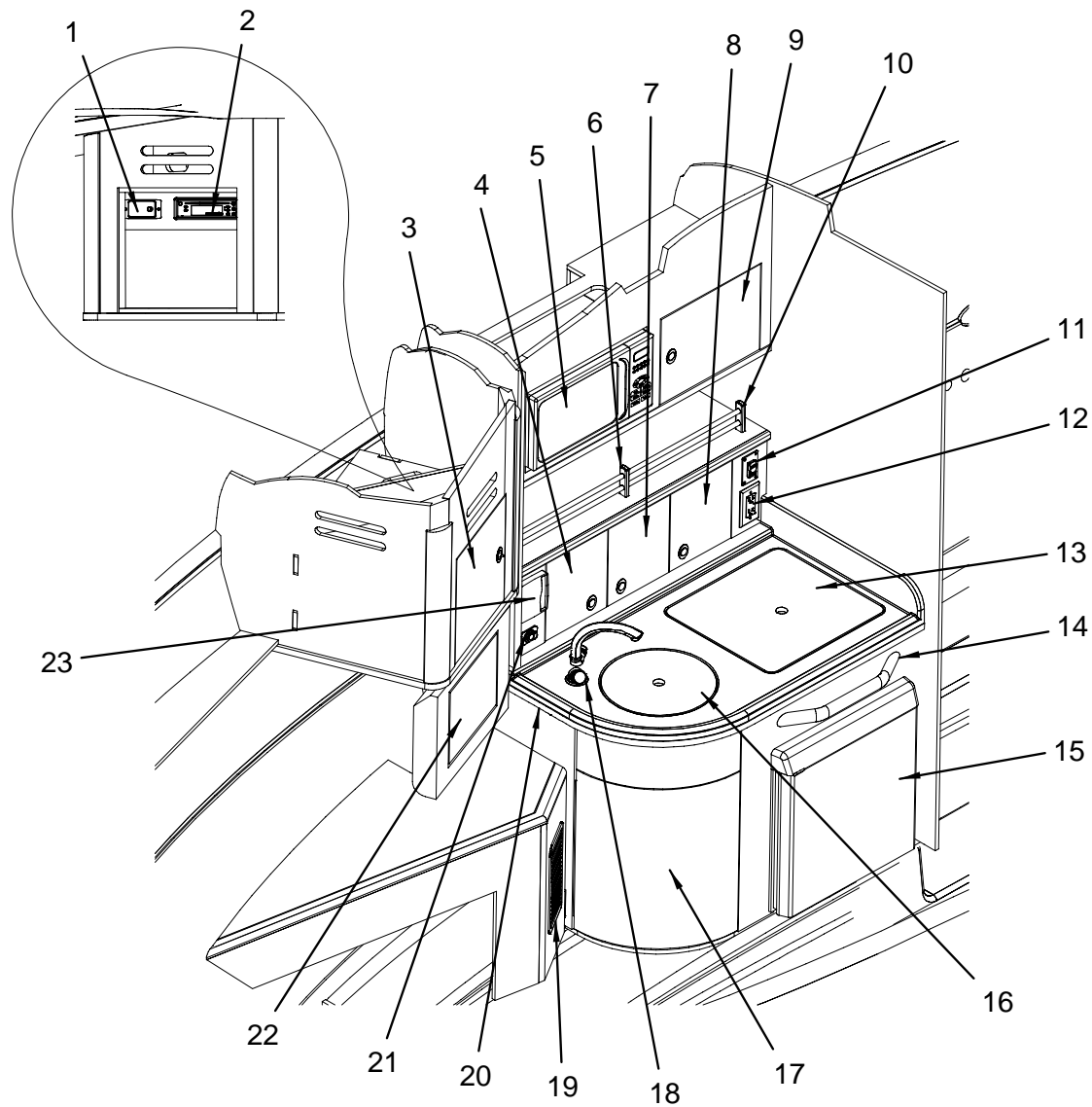
177881	ZIPPER, #5 DELRIN CONTINUOUS BLK
180182	ZIPPER, #5 DELRIN CONTINUOUS WHT
178327	SLIDE, DELRIN #5 BLK 1-S LOCK
180406	SLIDE, DELRIN #5 WHT 1-S LOCK

**UPHOLSTERY (continued)**

1235589	TACK STRIP, POLYPROPYLENE 3/8"
291138	FABRIC, DYMETROL MATERIAL
103309	MESH, WHITE 60" (CONTACT PLANT FOR EFFECTIVE HULL#)
983452	MESH, BLACK 54" (CONTACT PLANT FOR EFFECTIVE HULL#)
989426	VINYL, ALLANTE II BLK EXP FLAT
1733925	VINYL, ALLANTE II BLK EXP W/1/4"FB

GALLEY

DOOR REMOVED  
FOR CLARITY



## GALLEY

1	1180041	ANTENNA, TV AMP W/SHIP/SHORE A/B SW 12/24VDC (TV 15" FLAT SCREEN W / DVD - SALON)	15	1804994	REFRIGERATOR, 2.7 CF DOOR SHELF BIN	
2	1817493	DVD, KEC 12V DVD3 DIN (HULL# 1343 -> UP) (TV 15" FLAT SCREEN W / DVD - SALON)	1804995	REFRIGERATOR, 2.7 CF DOOR FRAME BTM		
	1697628	DVD, KEC 12V DVD2 DIN MOUNT (HULL# 1201 -> 1342) (TV 15" FLAT SCREEN W / DVD - SALON)	1805268	REFRIGERATOR, 2.7 CF CVR HINGE LH		
	1819303	DVD, KEC 12V DVD3 ZONEFREE (TV 15" FLAT SCREEN W / DVD - SALON) (ZONE FREE DVD)	1805269	REFRIGERATOR, 2.7 CF CVR HINGE RH		
	1759176	EXTENSION, CABLE A/V 6' RCA W/MALE CONN (TV 15" FLAT SCREEN W / DVD - SALON)	1805270	REFRIGERATOR, 2.7 CF DOOR PNL BLK		
	1803007	VIDEO EQUIPMENT, REMOTE GAMING SYS INPUT PNL (TV 15" FLAT SCREEN W / DVD - SALON)	1805271	REFRIGERATOR, 2.7 CF DOOR FRAME ASSY		
	1803988	HARNESS, 290DA-06 TV W/SEPARATE DVD (TV 15" FLAT SCREEN W / DVD - SALON)	1805284	REFRIGERATOR, 2.7 CF DOOR ASSY		
	1813842	MOUNTING KIT, SLEEVE FOR DVD2/3 (TV 15" FLAT SCREEN W / DVD - SALON)	1805285	REFRIGERATOR, 2.7 CF SHELF LWR		
	1848849	REMOTE, DVD KEC 12V DVD2/M/3M ZONEFREE (REMOTE FOR 1817493/1819303)	1805286	REFRIGERATOR, 2.7 CF SHELF UPR		
	1789986	REMOTE, DVD KEC 12V DVD2 (REMOTE FOR 1697628)	1805287	REFRIGERATOR, 2.7 CF DRAINAGE PAN		
3	1807860	290DA 06, DOOR, STRG UPR STB FWDSTRM	1805288	REFRIGERATOR, 2.7 CF HOLDER SHELF REAR		
4	1810592	290DA 06, DOOR, STRG MID FWD GLY	1805289	REFRIGERATOR, 2.7 CF ICE CUBE TRAY		
5	1687637	MICROWAVE, SYLVANIA 0.5CF BLK 110V	1805290	REFRIGERATOR, 2.7 CF FRAME CVR/4 SIDES BLK		
	1793050	MICROWAVE, SYLVANIA 0.5CF BLK 220V (220V)	1805291	REFRIGERATOR, 2.7 CF FRAME CAB LH		
6	1802279	STANCHION, SS 290DA-06 STRG SHELF CNTR	1805292	REFRIGERATOR, 2.7 CF FRAME CAB BTM		
	1804381	ROD, ACRYLIC 1/2" X 6' BLK	1805293	REFRIGERATOR, 2.7 CF FRAME CAB RH		
	1810593	290DA 06, DOOR, STRG MID CTR GLY	1805294	REFRIGERATOR, 2.7 CF BUSHING		
	1810594	290DA 06, DOOR, STRG MID AFT GLY	1805295	REFRIGERATOR, 2.7 CF BUSHING "I"		
	1810591	290DA 06, DOOR, STRG UPR GLY	1805570	REFRIGERATOR, 2.7 CF DOOR HANDLE ASSY		
	1802257	STANCHION, SS 290DA-06 STRG SHELF END	1671064	REFRIGERATOR, 2.7 CF AC/DC 220/50 (220V)		
	11688434	PANEL, 340DA-03 SLN/FWD STRM LIGHT SW BLK	1806041	REFRIGERATOR, 2.7 CF DOOR ASSY 220/50 (220V)		
	797761	BODY, ROCK SW SPST BLK 12V INCAND NON-LIT	16	1794090	COVER, CORIAN 290DA-06 GLY SINK BRNT AMBR (BURNT AMBER INTERIOR)	
	1541655	ACTUATOR, ROCK SWITCH-LIGHTS BLK		1794091	COVER, CORIAN 290DA-06 GLY SINK SNDSTN (SANDSTONE INTERIOR)	
	121787503	RECEPTACLE, GFCI DPLX BLK W/IND LIGHT 15A LVT		1063445	SINK, SS 12"DIA X 7"DEEP RND	
	131802468	COVER, CORIAN 290DA-06 STOVE BRNT AMBR PLSHD (BURNT AMBER INTERIOR)	17	1810631	290DA 06, DOOR, STRG LWR GLY	
	1479146	COVER, CORIAN 280DA-01 STOVE SNDSTN POLISHED (SANDSTONE INTERIOR)		1809136	STOP, DOOR STEEL FLAP STAY 78DEG BRN/NCKL	
	1802471	INSERT, CORIAN 280DA-06 STOVE BRNT AMBR BUTNE (BURNT AMBER INTERIOR) (BUTANE STOVE)		519900	HINGE, AL CONT FORM/DBL 3" X 7"	
	1511070	INSERT, CORIAN 280DA-01 STOVE SNDSTN BUTANE (SANDSTONE INTERIOR) (BUTANE STOVE)		156893	WEBBING, POLYPROPYLENE 1" BLACK	
	1802472	INSERT, CORIAN 280DA-06 STV BRNTAMBR ALC/ELEC (BURNT AMBER INTERIOR) (ALCOHOL / ELEC. STOVE - SINGLE BURNER 120V) (ALCOHOL / ELEC. STOVE - SINGLE BURNER 220V)	18	1772522	FAUCET, GLY 7"RISE BRUSHED NCKL/CHR	
	1510650	INSERT, CORIAN 280DA-01 STOVE SNDSTN ALC/ELEC (SANDSTONE INTERIOR) (ALCOHOL / ELEC. STOVE - SINGLE BURNER 120V) (ALCOHOL / ELEC. STOVE - SINGLE BURNER 220V)		1807537	FAUCET, GLY 7"RISE HANDLE CAP BRSHD NCKL/CHR	
	1494418	STOVE, ELEC 1-BURNER CARIBBEAN COOKTOP 110		1807538	FAUCET, GLY 7"RISE HNDL SCREW BRSHD NCKL/CHR	
	1494459	STOVE, ELEC 1-BURNER CARIBBEAN COOKTOP 240 (220V)		1807539	FAUCET, GLY 7"RISE HNDL WASHER BRSHD NCKL/CHR	
	1060060	STOVE, BUTANE SGL BURNER W/GLASS LID/POT HOLD (BUTANE STOVE)		1807540	FAUCET, GLY 7"RISE HNDL RING BRSHD NCKL/CHR	
	1389402	STOVE, BUTANE SGL BURNER W/GLS LID/POT HLD CE (BUTANE STOVE - CE APPROVED)		1807541	FAUCET, GLY 7"RISE HANDLE BRSHD NCKL/CHR	
	729954	STOVE, ALC/ELEC 1-BURNER W/BLK GLASS LID 110V (ALCOHOL / ELEC. STOVE - SINGLE BURNER 120V)		1807542	VALVE, FAUCET GLY 7"RISE CLD SIDE	
	729962	STOVE, ALC/ELEC 1-BURNER W/BLK GLASS LID 220V (ALCOHOL / ELEC. STOVE - SINGLE BURNER 220V)		1807543	FAUCET, GLY 7"RISE SPOUT BRSHD NCKL/CHR	
	1194539	SWITCH, PUSH-BUTTON STOVE W/48"20GA WIRE 120Z (NOT USED ON BUTANE STOVE OR ALCOHOL / ELECTRIC STOVES)		1807544	FAUCET, GLY 7"RISE AERATOR BRSHD NCKL/CHR	
	1745158	LABEL, FUEL RECOMMENDATION/LP GAS WARNING (BUTANE STOVE OR ALCOHOL / ELECTRIC STOVE)		1807545	FAUCET, GLY 7"RISE MOUNTING BRSHD NCKL/CHR	
	1763796	RAIL, STOVE 1-BURNER ALCOHOL (ALCOHOL / ELEC. STOVE - SINGLE BURNER 120V) (ALCOHOL / ELEC. STOVE - SINGLE BURNER 220V)	19	859280	A/C COMP, GRILL 6X10 CLW (AIR CONDITIONING / HEATING-3/4 TON)	
14	1747819	RAIL, GRAB 18" OVAL W/STUD 316L		20	1818955	FBRGLS PART, 290DA-06 GLY TOP BRNTAMBR (PINN) (BURNT AMBER INTERIOR)
15	1658368	REFRIGERATOR, 2.7 CF			1818954	FBRGLS PART, 290DA-06 GLY TOP SNDSTN (PINNCL) (SANDSTONE INTERIOR)
	1738813	LATCH, COVER PLATE FOR TRAVEL LATCH			1780215	NOSING, ALUM 5/8" X 12' T-1 ROUNDED BRUSHED
	1738814	LATCH, TRAVEL LATCH SPRING		21	1287283	RECEPTACLE, FEMALE 12V LONG THRD BLK
	1738816	LATCH, TRAVEL PLATE			1259977	PLATE, FEMALE 12V RECEPTACLE MNT
	1804906	REFRIGERATOR, 2.7 CF CVR-CNTRL			1744738	LABEL, RECEPTACLE 12V-15A MAX (LEXAN)
	1804907	REFRIGERATOR, 2.7 CF HINGE ASSY		22	1804801	TELEVISION, 15" LG LCD W/SIDE SPKRS (TV 15" FLAT SCREEN W / DVD - SALON)
	1804908	REFRIGERATOR, 2.7 CF PARTITION DOOR POCKET			1804807	TELEVISION, 15" LG LCD PAL (TV 15" FLAT SCREEN W / DVD - SALON) (PAL T.V. TUNER)
					1804105	SUPPORT, SS 290DA-06 SLN TV W/SWVL/VERT ADJ (TV 15" FLAT SCREEN W / DVD - SALON)
					1793987	GROMMET, PLAS FLANGE/INSERT 2" BLK (TV 15" FLAT SCREEN W / DVD - SALON)
					1787507	RECEPTACLE, DUPLEX BRN 15A LVT
					1787508	COVER PLATE, SGL DUPLEX RECEPT BRN LVT
					1768472	PLUG, 220V BLK RECEPTACLE (220V)
					637058	CONN, COAX EURO TV ADAPTER "F" TYPE (TV 15" FLAT SCREEN W / DVD - SALON W/220V)
				23	1604271	A/C COMP, DISPLAY ECU BLK W/3/4" DOOR (AIR CONDITIONING / HEATING-3/4 TON)
					1055821	A/C COMP, FACE PLATE FOR CONTROL BLK (AIR CONDITIONING / HEATING-3/4 TON)
						<b>DOOR HARDWARE</b>
					761445	CATCH, RIM-LOCK STRIKE PLATE
					772418	CATCH, RIM-LOCK WHT
					525667	HINGE, CONCEALED FULL OVERLAY MT PLATE ONLY
					839399	HINGE, SELF CLOSING BLUM SCREW-ON
					1742136	PULL, PUSH-BUTTON KNOB SAT/NCKL
					1776837	PULL, ROSETTE SAT/NCKL RND 16MM (5/8")
					1132380	CATCH, RIM-LOCK WHT (SHIM ONLY)

**ELECTRICAL**

1805075 LIGHT, RIGG 6.25" RECESSED 12V/20W SAT NCKL  
 1425024 BULB, REPL FOR #1197466 12V/20W HALOGEN  
 1803185 LIGHT, INDIRECT LED WHT BUTTON W/COLLAR/CONN  
**(LED NOT REPLACEABLE)**  
 1787507 RECEPTACLE, DUPLEX BRN 15A LVT  
 1787508 COVER PLATE, SGL DUPLEX RECEPT BRN LVT  
 1787506 RECEPTACLE, DUPLEX BLACK 15A  
 1787521 COVER PLATE, SGL DUPLEX RECEPT BLK LVT  
 1787551 RECEPTACLE, GERMAN STD MOS WHT(SNAP CVR) LVT  
**(220V)**  
 627737 BOX, RECEPTACLE/SWITCH PVC 1-GANG DEEP  
 1743616 LABEL, UNPLUG SHORE POWER WARNING  
 144899 BOX, PVC SWITCH BOX  
 144907 COVER PLATE, SWITCH BOX BLUE PVC  
 1144088 RELAY, 120VAC 20 AMP SPDT  
 583906 RELAY, 240VAC 50/60 HZ 20 AMP DPDT  
**(220V)**  
 893289 FRAME, IDEA-SERIES 3-GANG SUPPORT FRAME GREY  
**(220V)**  
 975011 SWITCH, BLANK IDEA-SERIES WHT  
**(220V)**  
 975029 COVER PLATE, IDEA-SERIES 3-GANG WHT  
**(220V)**  
 975037 BRKR, IDEA 230V 2P EURO GFCI 16A 10MA WHT  
**(220V)**

**HEADLINER/HULL LINER/WASHABLE SURFACE**

1736787 VINYL, RVIEW LT CAMEO N/W 1/2"FB

**LABELS**

1747493 LABEL, LEAVING WINDOW OPEN EXHAUST FUMES  
**(PLACED ON PORTLIGHT)**

**NOT SHOWN**

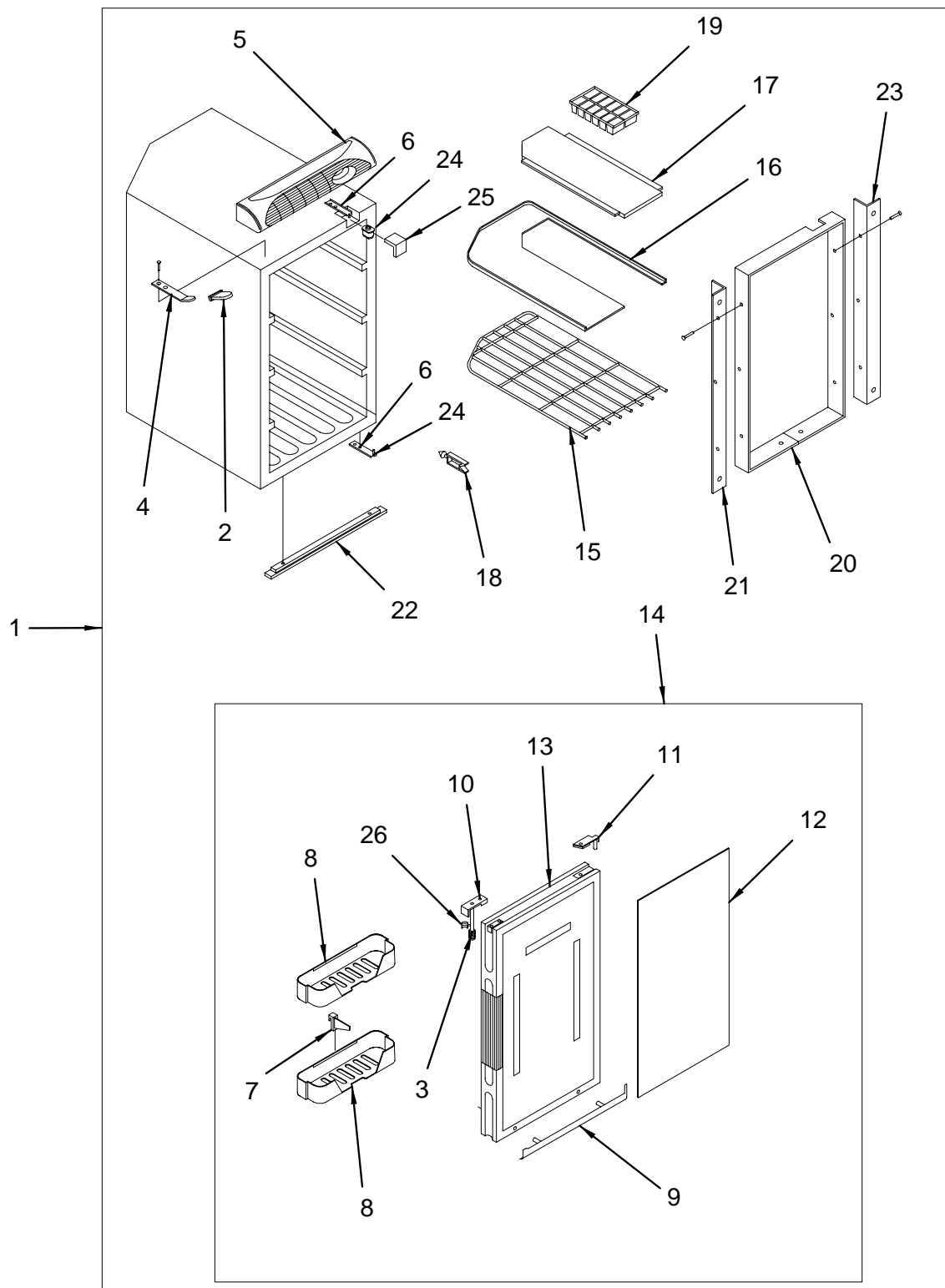
663708 BUMPER, CLEAR .020" THICK  
**(DOOR BUMPER)**  
 798314 SNAP CAP, PRESS-ON COVER #2 PHILLIP BLK  
 835835 BRACKET, ALUM 1"X 1"X 3" 3/16"HOLES 2SIDES  
 836023 BRACKET, ALUM 1.5"X 1.5"X 1.5" 3/16"HOLES  
 952895 BRACKET, ALUM 2"X 1/8"X 3" 2@3/16"HOLES WIDE

**VINYLS**

989426 VINYL, ALLANTE II BLK EXP FLAT



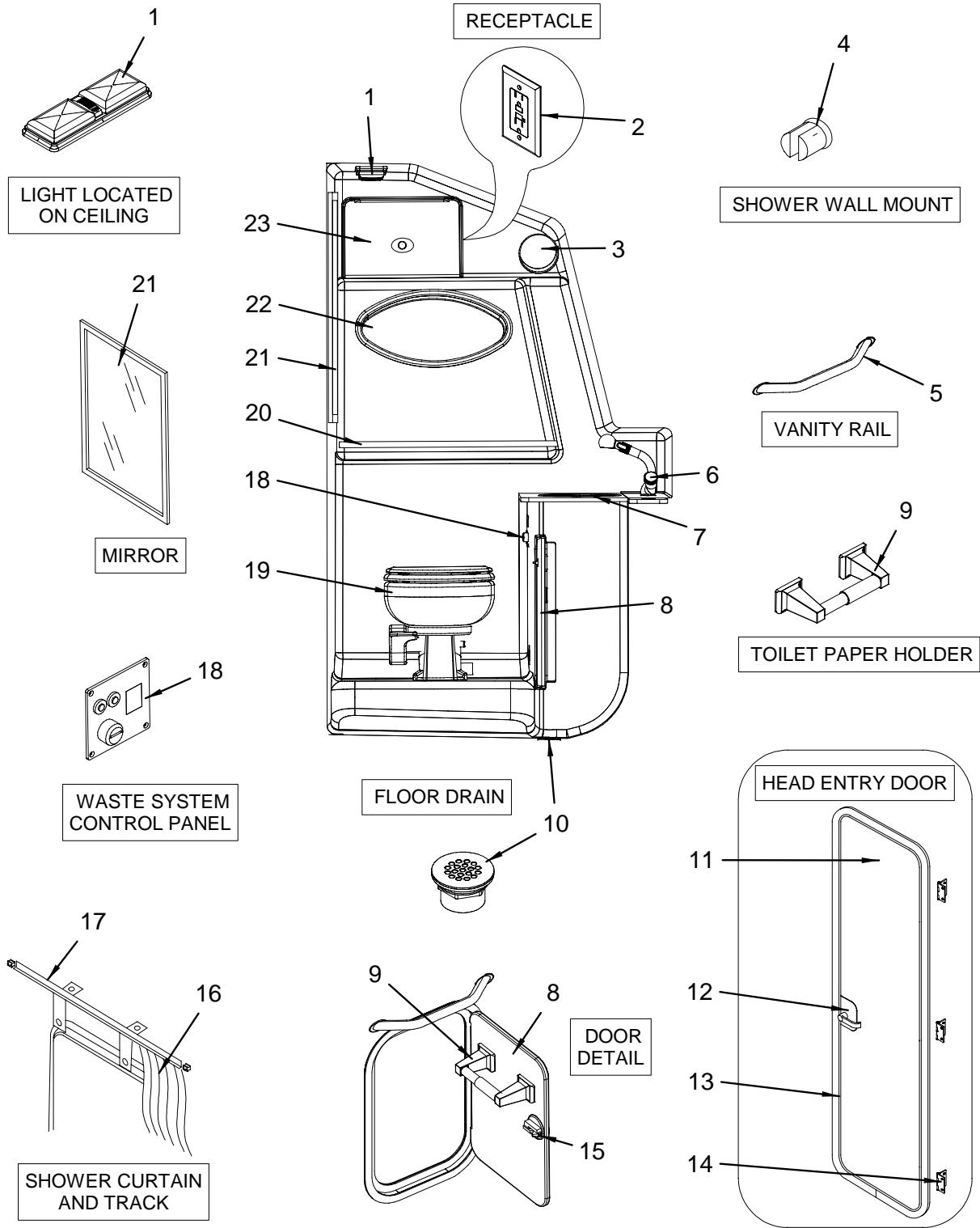
GALLEY (REFRIGERATOR)



**GALLEY (REFRIGERATOR)**

1	1658368	REFRIGERATOR, 2.7 CF
2	1738813	LATCH, COVER PLATE FOR TRAVEL LATCH
3	1738814	LATCH, TRAVEL LATCH SPRING
4	1738816	LATCH, TRAVEL PLATE
5	1804906	REFRIGERATOR, 2.7 CF CVR-CNTRL
6	1804907	REFRIGERATOR, 2.7 CF HINGE ASSY
7	1804908	REFRIGERATOR, 2.7 CF PARTITION DOOR POCKET
8	1804994	REFRIGERATOR, 2.7 CF DOOR SHELF BIN
9	1804995	REFRIGERATOR, 2.7 CF DOOR FRAME BTM
10	1805268	REFRIGERATOR, 2.7 CF CVR HINGE LH
11	1805269	REFRIGERATOR, 2.7 CF CVR HINGE RH
12	1805270	REFRIGERATOR, 2.7 CF DOOR PNL BLK
13	1805271	REFRIGERATOR, 2.7 CF DOOR FRAME ASSY
14	1805284	REFRIGERATOR, 2.7 CF DOOR ASSY
15	1805285	REFRIGERATOR, 2.7 CF SHELF LWR
16	1805286	REFRIGERATOR, 2.7 CF SHELF UPR
17	1805287	REFRIGERATOR, 2.7 CF DRAINAGE PAN
18	1805288	REFRIGERATOR, 2.7 CF HOLDER SHELF REAR
19	1805289	REFRIGERATOR, 2.7 CF ICE CUBE TRAY
20	1805290	REFRIGERATOR, 2.7 CF FRAME CVR/4 SIDES BLK
21	1805291	REFRIGERATOR, 2.7 CF FRAME CAB LH
22	1805292	REFRIGERATOR, 2.7 CF FRAME CAB BTM
23	1805293	REFRIGERATOR, 2.7 CF FRAME CAB RH
24	1805294	REFRIGERATOR, 2.7 CF BUSHING
25	1805295	REFRIGERATOR, 2.7 CF BUSHNG "I"
26	1805570	REFRIGERATOR, 2.7 CF DOOR HANDLE ASSY

HEAD



**HEAD**

- 1 312983 LIGHT, DBL DOME FLUSH MT W/SWITCH WHT
- 604801 BULB, DOME LIGHT 12V
- 1199090 BULB, REPL FOR LIGHT #0312983
- 2 1787505 RECEPTACLE, DUPLEX WHT 15A
- 1787520 COVER PLATE, SGL DUPLEX RECEPT WHT LVT
- 627737 BOX, RECEPTACLE/SWITCH PVC 1-GANG DEEP
- 3 1581966 A/C COMP, GRILL 4" RND W/O DA BLK  
(HULL# 1238 -> UP)  
(AIR CONDITIONING / HEATING-3/4 TON)
- 948281 A/C COMP, GRILL 4" RND W/DMPR CLW  
(HULL# 1201 -> 1237)  
(AIR CONDITIONING / HEATING-3/4 TON)
- 4 1740886 MOUNT, HDPE SHOWER WALL (MNT ONLY)
- 5 1761038 RAIL, GRAB 10" ELLIPTICAL W/STUDS 316L
- 6 1772520 FAUCET/SHOWER, BRUSHED NCKL/CHR PULLOUT
- 1853913 FAUCET/SHOWER, SPRAYER ONLY BRSHD NCKL/CHR
- 1853914 FAUCET/SHOWER, HOSE WASHER ONLY
- 1853915 FAUCET/SHOWER, HANGER ONLY
- 1853916 FAUCET/SHOWER, BRASS HOT/COLD VALVE ONLY
- 1853917 FAUCET/SHOWER, HDWR KIT W/WTS
- 7 1794089 TOP, CORIAN 290DA-06 HEAD VANITY BRNT AMBR  
(BURNT AMBER INTERIOR)
- 1802469 TOP, CORIAN 290DA-06 HEAD VANITY SNDSTN  
(SANDSTONE INTERIOR)
- 146753 SINK, SS GLY/HEAD OVAL 10.5"X 13.25"SATIN
- 583427 DRAIN, W/PLUG 100DEG 3/4"BARB CHR
- 1734472 DRAIN ASSY, STOPPER #4202 MED BLK
- 8 1794088 DOOR, HDPE 290DA-06 HEAD LWR PRL W/NCKLPSH
- 663708 BUMPER, CLEAR .020" THICK
- 9 1155241 HOLDER, TOILET PAPER WALL MNT WHT ROLLER
- 10 196782 DRAIN ASSY, SHOWER 1.5"
- 344721 DRAIN ASSY, GASKET SHOWER SLIP NUT 1.5"
- 344762 DRAIN ASSY, SHOWER SLIP NUT 1.5"
- 408724 ELBOW, PVC 1.5"FLANGE X 3/4"BARB X 90DEG
- 11 1811970 290DA 06,DOOR,HEAD
- 1513928 MIRROR, PLEX 280DA-01 HEAD DOOR MRINE GRD CLR
- 12 1776179 LATCH, OFFSHR FLSH RH-OUT PRVKNB SAT/NCK 5/8"
- 13 1163393 FRAME, ALUM 17 15/16"X 64" ANW L-OUT
- 14 132324 HINGE, BUTT CHROME/ZINC 2"
- 15 776567 CATCH, ROUND PLAS 13/16" "DUAL LOCK" (3M)
- 16 1075415 CURTAIN, SHOWER ECRU 66.5"X 24"
- 17 132183 TRACK, ALUM CURT TRK 0.275"X 0.688" TAB TYPE
- 18 1802480 PANEL, 290DA-06 WASTE SYS CNTRL
- 19 1745171 HEAD, VACU-FLUSH BONE 147 (ECOVAC) LO-PRO LFT
- 1784547 SEAT ASSY, CVR/SEAT/HNG PIN BONE
- 20 1804520 RAIL, GRAB 290DA-06 HEAD SHELF RETAINER
- 21 1795090 MIRROR, PLEX 20.5"X 18" HEAD CLR W/PVC
- 195032 HINGE, AL CONT 1.25" X 72" BRITE
- 22 1057991 TRIM RING, W/F PORTLIGHT INNER CUSTOM 98
- 23 1804749 DOOR, HDPE 290DA-06 HEAD MEDCAB PRL W/NCKLPB
- 1742137 PULL, ROSETTE SAT/NCKL OVAL 19MM  
(SUPPLIED WITH DOOR - 1804749)
- 1742136 PULL, PUSH-BUTTON KNOB SAT/NCKL  
(SUPPLIED WITH DOOR - 1804749)
- 772418 CATCH, RIM-LOCK WHT  
(SUPPLIED WITH DOOR - 1804749)
- 1835595 HINGE, SS 1 1/16"X 12" PIANO  
(SUPPLIED WITH DOOR - 1804749)

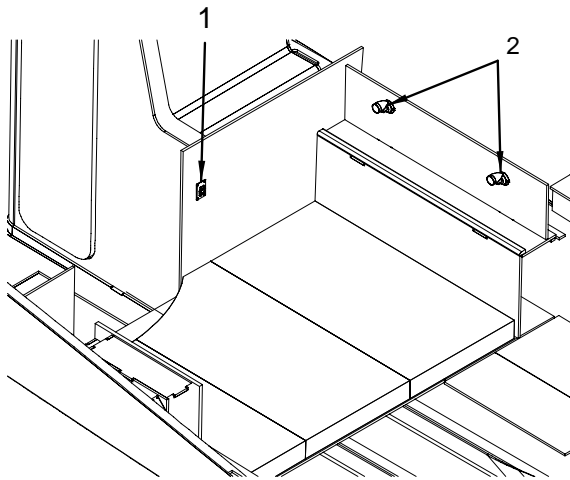
**HEADLINER/HULL LINER/WASHABLE SURFACE**

- 1736787 VINYL, RVIEW LT CAMEO N/W 1/2"FB

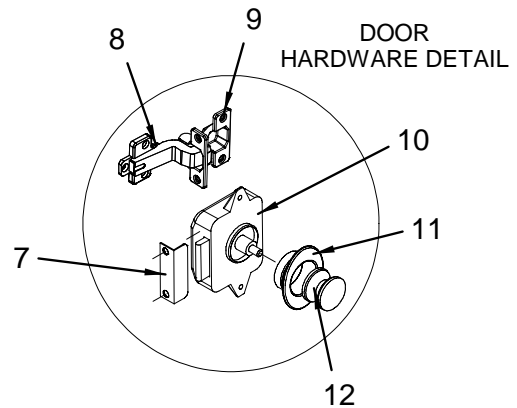
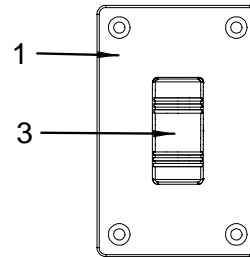
**NOT SHOWN**

- 1501824 HOSE, CONDUIT/SPLIT 3/4" FLAME RETARDANT
- 1501824 HOSE, CONDUIT/SPLIT 3/4" FLAME RETARDANT
- 154377 SNAP STUD, W/#8 X 5/8" PH SS
- 663708 BUMPER, CLEAR .020" THICK  
(DOOR BUMPER)
- 811885 GROMMET, PLAS FLANGE/INSERT 2" ALMOND
- 326009 THRU-HULL, PLAS 2" WHT (FULL THREAD)
- 836080 BRACKET, PVC 1.5"X 1.5"X 12" 1/4"HOLES

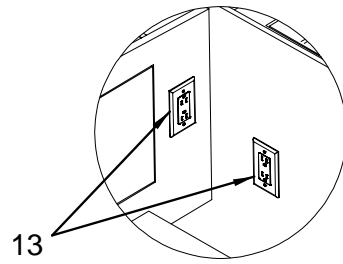
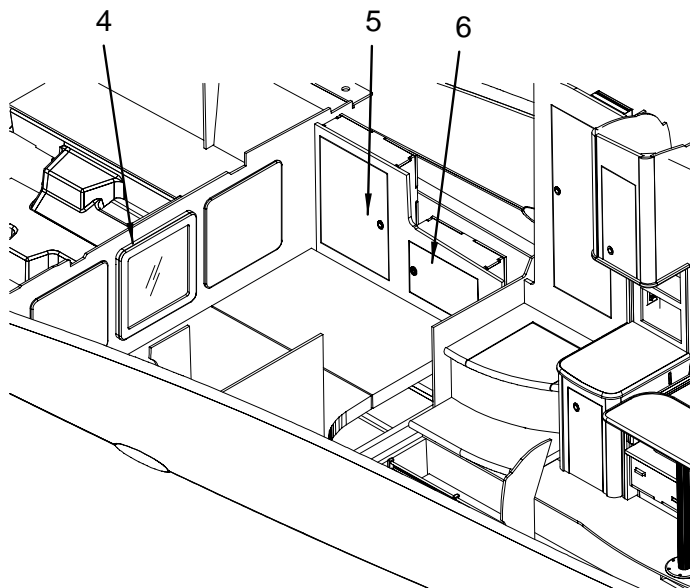
MID STATEROOM



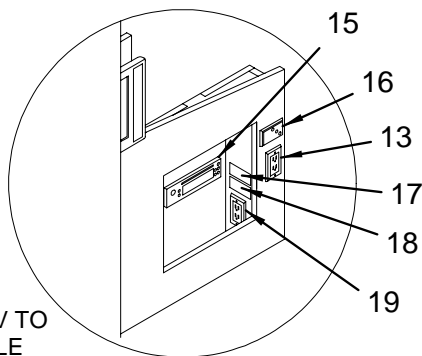
LIGHT SWITCH PANEL



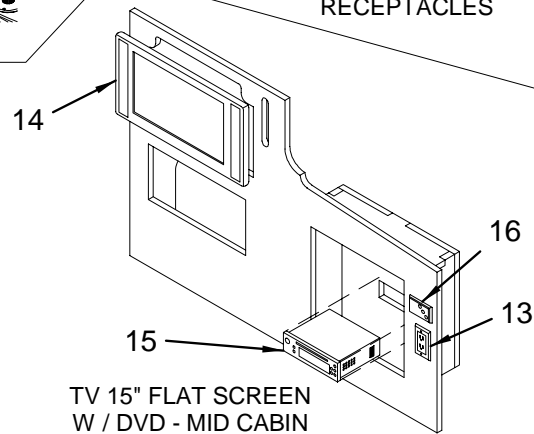
DOOR  
HARDWARE DETAIL



RECEPTACLES



INVERTER - 12V TO  
120V/60 CYCLE



TV 15" FLAT SCREEN  
W / DVD - MID CABIN

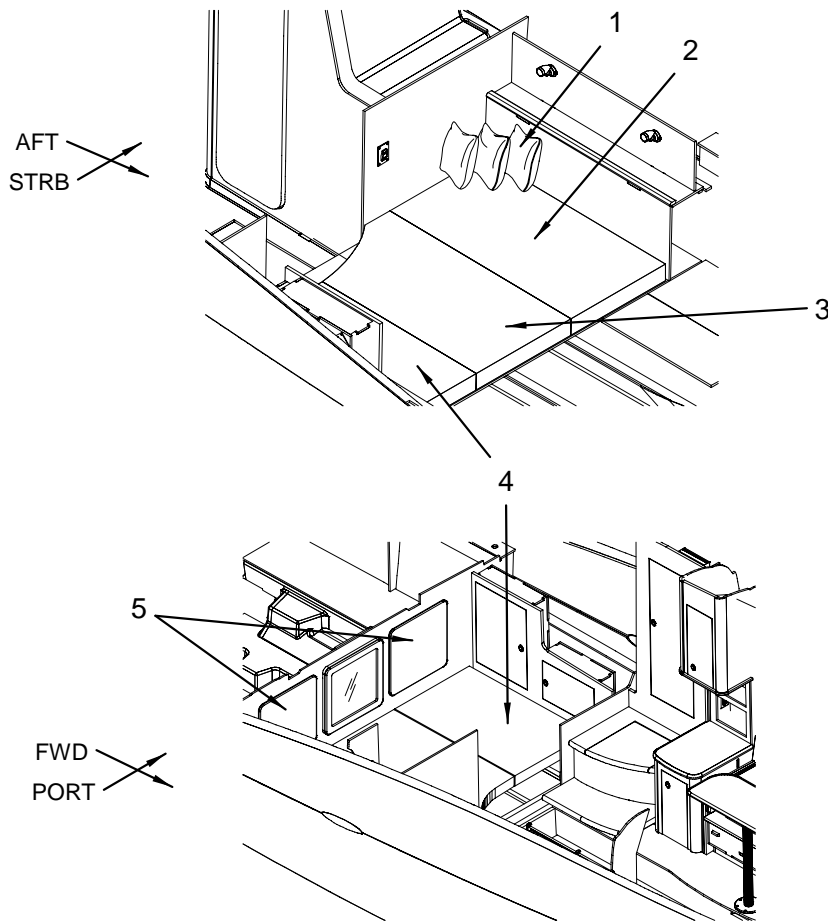
## MID STATEROOM

- 1 1550615 PANEL, ENTRANCE LIGHTS  
877225 SWITCH, ROCKER 'V' SPST ON-OFF  
1809655 PANEL, BLANK ENTR LIGHTS  
2 1803184 SPOTLIGHT, SWVL TASK BRSHD SS W/SW W/CONN  
1820310 BULB, REPL FOR #1803184/1831205  
3 1541655 ACTUATOR, ROCK SWITCH-LIGHTS BLK  
797761 BODY, ROCK SW SPST BLK 12V INCAND NON-LIT  
4 1820326 290DA 06,MIR ASSY,AFTSTRM  
1806427 MIRROR, 1/8"X 17"X 17"CLEAR  
776567 CATCH, ROUND PLAS 13/16" "DUAL LOCK" (3M)  
141903 HINGE, AL CONT 2"X 72" SAT  
5 1807857 290DA 06,DOOR,STRG AFT PRT MIDSTRM  
6 1807858 290DA 06,DOOR,STRG FWD PRT MIDSTRM  
7 761445 CATCH, RIM-LOCK STRIKE PLATE  
8 839399 HINGE, SELF CLOSING BLUM SCREW-ON  
9 525667 HINGE, CONCEALED FULL OVERLAY MT PLATE ONLY  
10 772418 CATCH, RIM-LOCK WHT  
1132380 CATCH, RIM-LOCK WHT (SHIM ONLY)  
11 1776837 PULL, ROSETTE SAT/NCKL RND 16MM (5/8")  
12 1742136 PULL, PUSH-BUTTON KNOB SAT/NCKL  
13 1787506 RECEPTACLE, DUPLEX BLACK 15A  
1787521 COVER PLATE, SGL DUPLEX RECEPT BLK LVT  
627737 BOX, RECEPTACLE/SWITCH PVC 1-GANG DEEP  
14 1804801 TELEVISION, 15" LG LCD W/SIDE SPKRS  
(TV 15" FLAT SCREEN W / DVD - MID CABIN)  
1804807 TELEVISION, 15" LG LCD PAL  
(TV 15" FLAT SCREEN W / DVD - MID CABIN)  
(PAL T.V. TUNER)  
1755388 BRACKET, TV (LCD) WALL MOUNT OMNI  
(TV 15" FLAT SCREEN W / DVD - MID CABIN)  
695957 SPLITTER, 2-WAY HYBRID TV/SPLITTER COMBINER  
(TV 15" FLAT SCREEN W / DVD - MID CABIN)  
1787507 RECEPTACLE, DUPLEX BRN 15A LVT  
1787508 COVER PLATE, SGL DUPLEX RECEPT BRN LVT  
1768472 PLUG, 220V BLK RECEPTACLE  
(220V)  
637058 CONN, COAX EURO TV ADAPTER "F" TYPE  
(TV 15" FLAT SCREEN W / DVD - MID CABIN W/220V)  
15 1817493 DVD, KEC 12V DVD3 DIN  
(HULL# 1343 -> UP)  
(TV 15" FLAT SCREEN W / DVD - MID CABIN)  
1697628 DVD, KEC 12V DVD2 DIN MOUNT  
(HULL# 1201 -> 1342)  
(TV 15" FLAT SCREEN W / DVD - MID CABIN)  
1819303 DVD, KEC 12V DVD3 ZONEFREE  
(TV 15" FLAT SCREEN W / DVD - MID CABIN)  
(ZONE FREE DVD)  
1813842 MOUNTING KIT, SLEEVE FOR DVD2/3  
(TV 15" FLAT SCREEN W / DVD - MID CABIN)  
1759176 EXTENSION, CABLE A/V 6' RCA W/MALE CONN  
(TV 15" FLAT SCREEN W / DVD - MID CABIN)  
1789986 REMOTE, DVD KEC 12V DVD2  
(REMOTE FOR 1697628)  
1848849 REMOTE, DVD KEC 12V DVD2M/3M ZONEFREE  
(REMOTE FOR 1817493/1819303)  
16 1803007 VIDEO EQUIPMENT, REMOTE GAMING SYS INPUT PNL  
(TV 15" FLAT SCREEN W / DVD - MID CABIN)  
17 1816198 LABEL, CAUTION ELEC LOAD ONLY INVRTR REPCT  
(TV 15" FLAT SCREEN W / DVD - MID CABIN)  
(INVERTER - 12V TO 120V/60 CYCLE)  
18 1816197 LABEL, WARNING ELEC SHK HZRD INVRTR FED RECPT  
(TV 15" FLAT SCREEN W / DVD - MID CABIN)  
(INVERTER - 12V TO 120V/60 CYCLE)  
19 1787502 RECEPTACLE, GFCI DPLX WHT W/IND LIGHT 15A LVT  
(TV 15" FLAT SCREEN W / DVD - MID CABIN)  
(INVERTER - 12V TO 120V/60 CYCLE)  
627737 BOX, RECEPTACLE/SWITCH PVC 1-GANG DEEP  
(TV 15" FLAT SCREEN W / DVD - MID CABIN)  
(INVERTER - 12V TO 120V/60 CYCLE)

## NOT SHOWN

- 1733944 LIGHT, COURTESY SURF MNT BLK LED OVAL 12V  
(LED NOT REPLACEABLE)  
663708 BUMPER, CLEAR .020" THICK  
(DOOR BUMPER)  
724930 SNAP CAP, PRESS-ON COVER #2 PHILLIP ALMOND

**MID STATEROOM (UPHOLSTERY)**



**MID STATEROOM (UPHOLSTERY)**

- 1 1794281 PILLOW PKG, 2006 SPCR MIDCAB PKGA (2)
- 1794284 PILLOW PKG, 2006 SPCR MIDCAB PKGB (2)
- 1794298 PILLOW PKG, 2006 SPCR MIDCAB PKGC (2)
- 1794301 PILLOW PKG, 2006/07 SPCR MIDCAB PKGD (2)
- 2 1807851 290DA 06,CUSH,STB MIDSTRM
- 1807852 290DA 06,CUSH SKN,STB MIDSTRM
- 3 1807853 290DA 06,CUSH,CTR MIDSTRM
- 1807854 290DA 06,CUSH SKN,CTR MIDSTRM
- 4 1807855 290DA 06,CUSH,PRT MIDSTRM
- 1807856 290DA 06,CUSH SKN,PRT MIDSTRM
- 5 1813327 290DA 06,PNL,MIDSTRM WALL  
(WHEN ORDERING SPECIFY HULL NUMBER FOR FABRIC SELECTION OPTION)

**FABRICS**

- 1768940 FABRIC, GLAMOUR OATML FLAT  
(INTERIOR A)
- 1816597 FABRIC, GLAMOUR TUSK FLAT  
(INTERIOR A)
- 1792431 FABRIC, MONDAVI BK STRAW FLAT  
(INTERIOR B)
- 1799802 FABRIC, SEQUENCE BK/SLATE FLAT  
(INTERIOR B)
- 1792435 FABRIC, MAGNETIC/HEMP FLAT  
(INTERIOR C)
- 1792441 FABRIC, METROLINER/CATTAIL FLAT  
(INTERIOR C)

**FABRICS (continued)**

- 1792444 FABRIC, SLEEK/WHEAT FLAT  
(INTERIOR D)

**FOAM**

- 1806435 FOAM, P/C 290DA-06 MID STRM CUSH SET

**HEADLINER/HULL LINER/WASHABLE SURFACE**

- 1736787 VINYL, RVIEW LT CAMEO N/W 1/2"FB
- 1747515 VINYL, RVIEW LT CAMEO N/W 1/4"FB

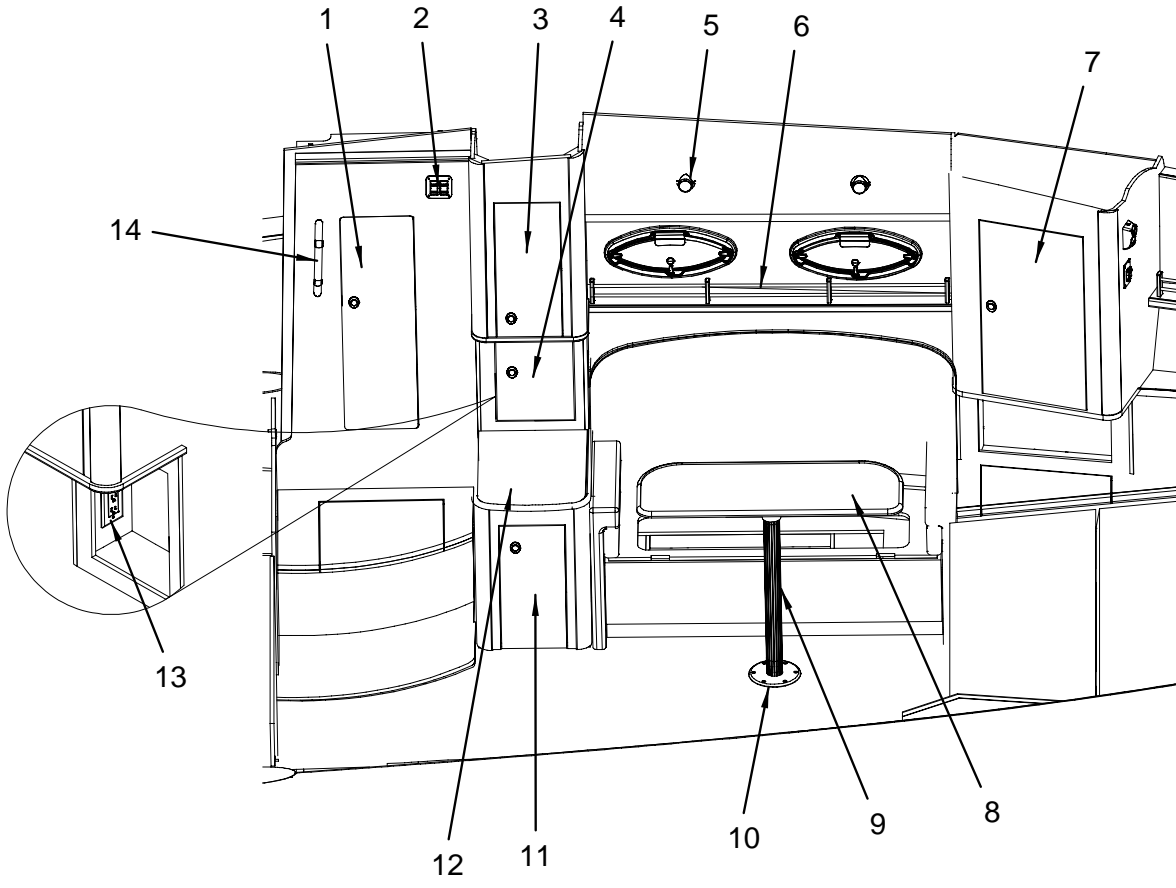
**PRIVACY CURTAIN**

- 1801788 CURTAIN, 290DA-06 VERONA GLOW AFT PRIV
- 186676 UPH PARTS, DRAPE CEILING BRKT
- 221325 UPH PARTS, END STOP W/SCREW
- 737239 TRACK, ALUM CURT TRK 8' I BEAM TYPE

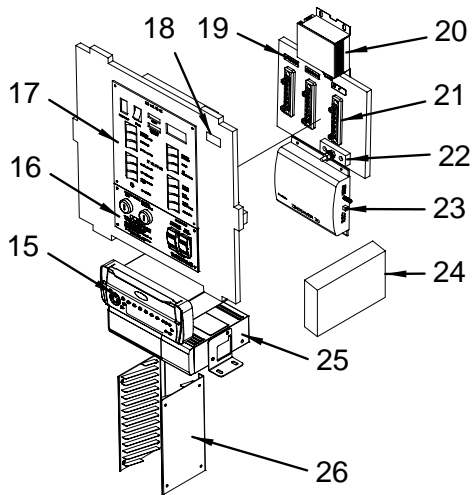
**UPHOLSTERY**

- 180182 ZIPPER, #5 DELRIN CONTINUOUS WHT
- 180406 SLIDE, DELRIN #5 WHT 1-S LOCK
- 103309 MESH, WHITE 60"  
(CONTACT PLANT FOR EFFECTIVE HULL#)
- 983452 MESH, BLACK 54"  
(CONTACT PLANT FOR EFFECTIVE HULL#)

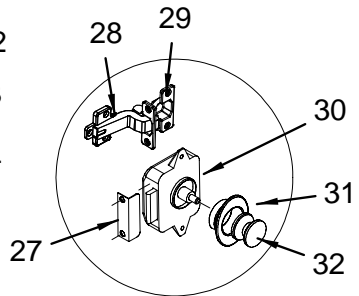
SALON



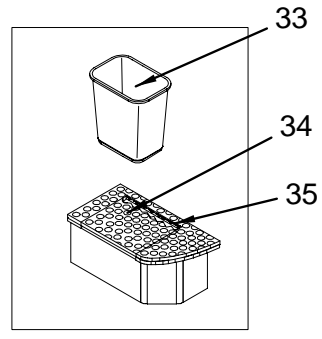
STEREO CABINET



DOOR HARDWARE  
DETAIL



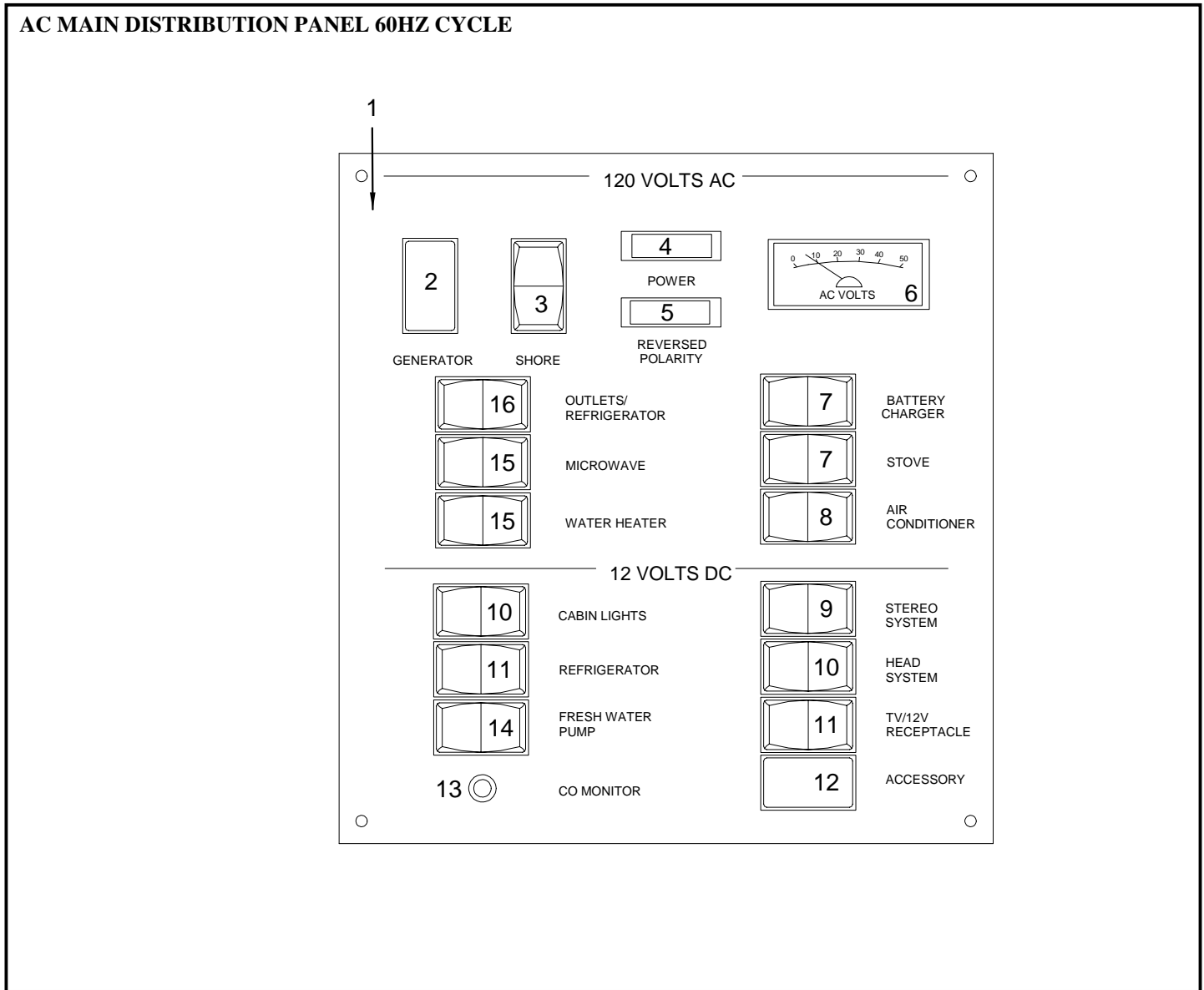
ENTRY STEP





## SALON

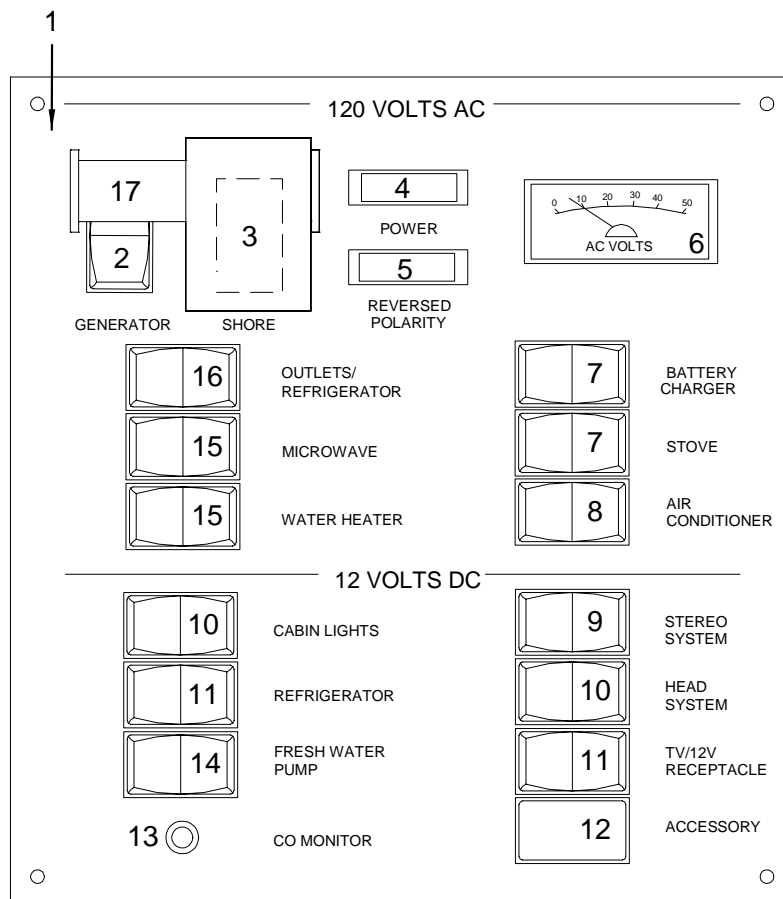
1	1811966	290DA 06,DOOR,MDP CAB	17	1759676	PANEL, BLANK:260DA-05 AC MDP 220/50 W/GEN (BLANK PANEL ONLY - FOR 1802479 & 1801684)
2	1804371	PANEL, 290DA-06 CABIN LT SW DUAL 2-WAY BLK	18	1816196	LABEL, WARNING ELEC SHK HZRD INVRTR DISCNT DC (INVERTER - 12V TO 120V/60 CYCLE)
	1541655	ACTUATOR, ROCK SWITCH-LIGHTS BLK	19	1790407	LABEL, AC NEUTRAL (LEXAN)
	1609312	BODY, ROCK SW SPDT BLK 12V INCAND NON-LIT		1790408	LABEL, AC GROUNDING (LEXAN)
3	1813332	290DA 06,DOOR,AFT UPR STRG SLN		1790406	LABEL, DC NEGATIVE (LEXAN)
4	1835614	290DA 06,DOOR,AFT MID STRG SLN	20	1804089	STEREO, AMP MARINE AUDIO 80WX2CHNL 12V (HULL# 1233 -> UP)
5	1803184	SPOTLIGHT, SWVL TASK BRSHD SS W/SW W/CONN		1767698	STEREO, AMP MARINE AUDIO MAA402 12V (HULL# 1201 -> 1232)
	1820310	BULB, REPL FOR #1803184/1831205		680983	CABLE, RCA AUDIO 3' W/EFX-2 CONNECTORS (HULL# 133 -> 1375)
6	1804381	ROD, ACRYLIC 1/2"X 6' BLK		1782018	STEREO, AMP CLARION APX280M (PREMIUM COCKPIT SOUND SYSTEM - 12 VOLT)
	1802279	STANCHION, SS 290DA-06 STRG SHELF CNTR		1807866	STEREO, AMP PANASONIC 400W 4CHNL (PREMIUM COCKPIT SOUND SYSTEM - 12 VOLT)
	1802257	STANCHION, SS 290DA-06 STRG SHELF END		1801721	HARNES, 290DA-06 PREM CKPT STEREO (PREMIUM COCKPIT SOUND SYSTEM - 12 VOLT)
7	1811967	290DA 06,DOOR,STRG FWD SLN		1750879	CABLE, RCA AUDIO "Y" (1-FM/ 2-M) W/NOISE SUPP (PREMIUM COCKPIT SOUND SYSTEM - 12 VOLT)
8	1818813	TABLE, WOOD 290/300DA-06 SLN BLSM CHERY 2TONE (HULL# 1318 -> UP) (CHERRY BLOSSOM INTERIOR) (SURFACE MOUNT BASE SUPPLIED WITH TABLE)		1758576	CABLE, RCA AUDIO EFX-2 "Y" ADAPTER (HULL# 1409 -> UP) (PREMIUM COCKPIT SOUND SYSTEM - 12 VOLT)
	1818812	TABLE, WOOD 290/300DA-06 SLN PLUM 2TONE PKGB (HULL# 1333 -> UP) (SANTA ROSA PLUM INTERIOR) (SURFACE MOUNT BASE SUPPLIED WITH TABLE) (SANTA ROSA PLUM INTERIOR)	21	1324334	BUSS BAR, MINIBUS BAR DC
	1804899	TABLE, NEVAMAR 300DA-06 SALON MAPLE PKG B (HULL# 1244 -> 1317) (GRAND ISLE MAPLE INTERIOR)	22	795583	BUSS BAR, SGL POST 5/16"
	1804898	TABLE, NEVAMAR 300DA-06 SALON PLUM PKG B (NEVER USED) (SANTA ROSA PLUM INTERIOR)	23	1749388	GALVANIC ISOLATOR, PROSAFE 30AMP (ISOL ONLY)
	1807189	TABLE, NEVAMAR 1"X 14"X 24"MAPLE W/BASE (HULL# 1201 -> 1208) (GRAND ISLE MAPLE INTERIOR)	24	1812978	INVERTER, TRUSINE WAVE XANTREX 400W 12VDC (INVERTER - 12V TO 120V/60 CYCLE)
	1807187	TABLE, NEVAMAR 1"X 14"X 42"MAPLE W/BASE (HULL# 1201 -> 1223 & 1225 -> 1243) (GRAND ISLE MAPLE INTERIOR)	25	1733835	STEREO, CD CHANGER 6-DISC DCZ625 C-NET
	1807190	TABLE, NEVAMAR 1"X 14"X 24"PLUM W/BASE (NEVER USED) (SANTA ROSA PLUM INTERIOR)		1848731	STEREO, CD 6-DISC CARTRIDGE CLARION F/DCZ625
	1807188	TABLE, NEVAMAR 1"X 14"X 42"PLUM W/BASE (HULL# 1224 ONLY) (SANTA ROSA PLUM INTERIOR)	26	1269026	HOLDER, COMPACT DISC 13CD HOLD BLK
9	1657659	POST, TABLE LEG 2 7/8"X 30" ANOD FLUTED	27	761445	CATCH, RIM-LOCK STRIKE PLATE
10	1125285	BASE, TABLE FLUSH MNT ALUM TPR CASTING	28	839399	HINGE, SELF CLOSING BLUM SCREW-ON
11	1811968	290DA 06,DOOR,LWR SLN	29	525667	HINGE, CONCEALED FULL OVERLAY MT PLATE ONLY
12	1805797	TABLE TOP, 290DA-06 SLN LWR STRG CAB BLK	30	772418	CATCH, RIM-LOCK WHT
13	1787503	RECEPTACLE, GFCI DPLX BLK W/IND LIGHT 15A LVT BOX, RECEPTACLE/SWITCH PVC 1-GANG DEEP		1132380	CATCH, RIM-LOCK WHT (SHIM ONLY)
14	1747819	RAIL, GRAB 18" OVAL W/STUD 316L	31	1776837	PULL, ROSETTE SAT/NCKL RND 16MM (5/8")
15	1803464	STEREO, AM/FM CD W/CHNGR/SIR SAT PLAYER CMD4	32	1742136	PULL, PUSH-BUTTON KNOB SAT/NCKL
	1847461	STEREO, SIRIUS SATELLITE RCVR SIRCL3M-6MO (HULL# 1522 -> UP)	33	431098	BASKET, TRASH 11 3/8"X 8.25"X 12 1/8" BEIGE
	1806758	STEREO, SIRIUS SATELLITE RCVR SIRCL-6MO (HULL# 1201 -> 1521)	34	1811969	290DA 06,STEP,ENTR
	1581560	ANTENNA, AMPLIFIED 13398		1316983	FLOORING, VINYL LONCON II FLECKS SANDSTONE
	875484	ANTENNA LEAD, STEREO SOFT WIRE 30"		1810962	TEAK, P/C 290DA-06 ENTRY STEPS 3PC (FLOORING, TEAK - CABIN)
	1850253	VIDEO EQUIPMENT, AUXILIARY INPUT MP3 MA-AUX2		1782245	FLOORING, TEAK 2 3/8"W/1/4"BLK GROUT LINE 4X10 (FLOORING, TEAK - CABIN)
	1803674	VIDEO EQUIPMENT, AUXILIARY INPUT MP3 (NO LONGER AVAILABLE-ORDER 1850253)		1783977	MOLDING, T-MOLD/PVC 1.5/8"X 25' BLK (FLOORING, TEAK - CABIN)
	1772076	EXTENSION, CABLE 20'/15' FM RECEIVER W/CONN	35	198663	HINGE, AL CONT FORM/SGL 1.25"X 72" BLK
	956078	ADAPTER, STEREO FEMALE/FEMALE	<b>ELECTRICAL</b>		
	1750880	CABLE, RCA AUDIO 6' W/EFX-2 CONN W/NOISE SUPP		1803185	LIGHT, INDIRECT LED WHT BUTTON W/COLLAR/CONN (LED NOT REPLACEABLE)
	1750893	CABLE, RCA AUDIO 14' W/EFX-2 CONN N/SUP	<b>LABELS</b>		
	1803706	HARNES, STEREO ADAPTOR CMD4 W/PACKARD CONN		1812911	LABEL, DANGER CO CABIN 06
	1818575	CABLE, RCA AUDIO 1M W/EFX-2 CONNECTORS (HULL# 1372 -> UP)		1747493	LABEL, LEAVING WINDOW OPEN EXHAUST FUMES
16	1799375	PANEL, 290DA-06 IGN SW GAS TE N/GEN (TWIN ENGINE GAS WITHOUT GENERATOR)	<b>NOT SHOWN</b>		
	1799376	PANEL, 290DA-06 IGN SW GAS TE W/LOWCO GEN (TWIN ENGINE GAS WITH 120V GENERATOR)		836023	BRACKET, ALUM 1.5"X 1.5"X 1.5" 3/16"HOLES
	1807791	PANEL, 290DA-06 IGN SW GAS TE W/GEN 220/50 (TWIN ENGINE GAS WITH 220V GENERATOR)		798314	SNAP CAP, PRESS-ON COVER #2 PHILLIP BLK
	1799373	PANEL, 290DA-06 IGN SW GAS SE W/LOWCO GEN (HULL# 1223 ONLY) (SINGLE ENGINE GAS WITH 120V GENERATOR)		663708	BUMPER, CLEAR .020" THICK (DOOR BUMPER)
	1807790	PANEL, 290DA-06 IGN SW GAS SE W/GEN 220/50 (HULL# 1223 ONLY) (SINGLE ENGINE GAS WITH 220V GENERATOR)		1819369	LIFT HANDLE, HATCH LIFT BOLT W/RING 2.25" (FLOOR HATCHES)
17	1801679	PANEL, 290DA-06 AC MDP 120/60 N/GEN (120V WITHOUT GENERATOR)			
	1801681	PANEL, 290DA-06 AC MDP 120/60 W/GEN (120V WITH GENERATOR)			
	1759673	PANEL, BLANK:260DA-05 AC MDP 120/60 W/GEN (BLANK PANEL ONLY - FOR 1801679 & 1801681)			
	1802479	PANEL, 290DA-06 AC MDP 220/50 N/GEN (220V WITHOUT GENERATOR)			
	1801684	PANEL, 290DA-06 AC MDP 220/50 W/GEN (220V WITH GENERATOR)			



**AC MAIN DISTRIBUTION PANEL 60HZ CYCLE**

- 1 1801679 PANEL, 290DA-06 AC MDP 120/60 N/GEN
- 1759673 PANEL, BLANK:260DA-05 AC MDP 120/60 W/GEN  
(BLANK PANEL ONLY - FOR 1801679)  
(CORRECT BLANK PANEL - PANEL USED FOR 260DA ALSO)
- 2 432872 PLUG, BRKR/ROCK
- 3 648873 BRKR/ROCK, 2-POLE AC/DC VERT 30A WHT
- 4 572529 LIGHT, POLARITY GRN 125V
- 5 557611 LIGHT, POLARITY RED 125V
- 6 767608 GAUGE, VOLTMETER AC 0-150 ANALOG WINDOW MT SM
- 7 1776973 BRKR/ROCK, SGL-POLE AC/DC HORZ UP LUG 10A WHT
- 8 432872 PLUG, BRKR/ROCK
- 1795343 BRKR/ROCK, SGL-POLE AC/DC HORZ UP LUG 20A WHT  
(AIR CONDITIONING / HEATING-3/4 TON-120V/60)
- 9 1799306 BRKR/ROCK, SGL-POLE AC/DC HORZ UP LUG 25A RED
- 10 1799305 BRKR/ROCK, SGL-POLE AC/DC HORZ UP LUG 20A RED
- 11 1799304 BRKR/ROCK, SGL-POLE AC/DC HORZ UP LUG 15A RED
- 12 432872 PLUG, BRKR/ROCK
- 355081 BRKR/ROCK, SGL-POLE AC/DC HORZ 25A RED  
(INVERTER - 12V TO 120V/60 CYCLE)  
(FOR 15" TV)
- 13 1181700 BRKR, P/BTN-MANUAL RESET M-SERIES 1A W/SCREW
- 14 1799341 BRKR/ROCK, SGL-POLE AC/DC HORZ UP LUG 10A RED
- 15 1776975 BRKR/ROCK, SGL-POLE AC/DC HORZ UP LUG 15A WHT
- 16 1795343 BRKR/ROCK, SGL-POLE AC/DC HORZ UP LUG 20A WHT

**AC MAIN DISTRIBUTION PANEL 60HZ WITH GENERATOR**

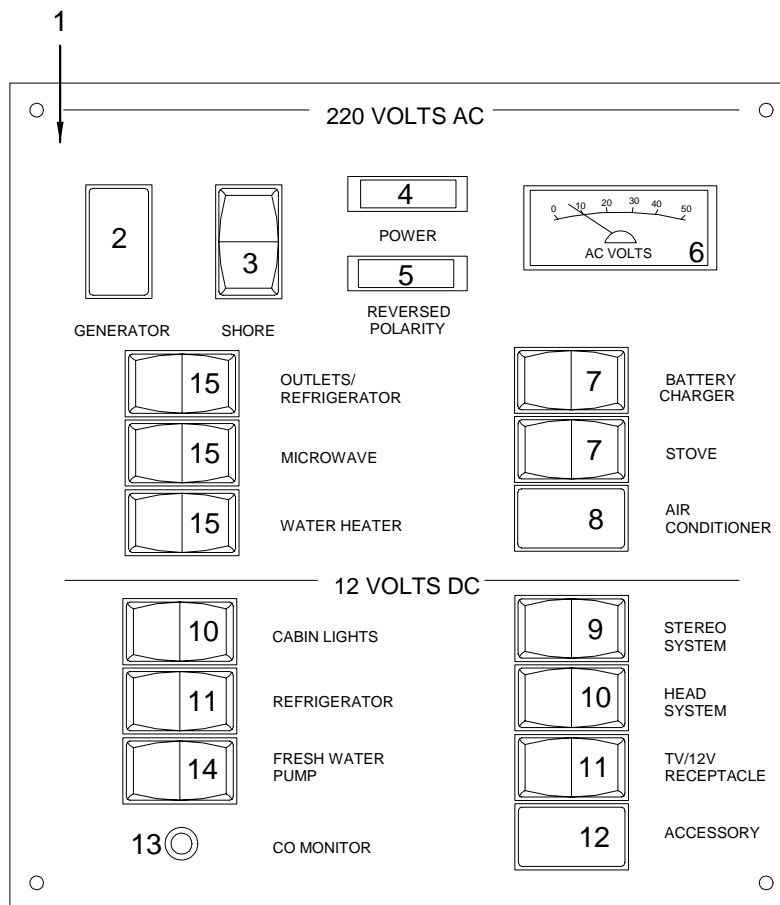


**AC MAIN DISTRIBUTION PANEL 60HZ WITH GENERATOR**

17 340679 SLIDE ASSY, SLIDE BAR MDP PANEL

- 1 1801681 PANEL, 290DA-06 AC MDP 120/60 W/GEN
- 1759673 PANEL, BLANK:260DA-05 AC MDP 120/60 W/GEN  
(BLANK PANEL ONLY - FOR 1801681)  
(CORRECT BLANK PANEL - PANEL USED FOR 260DA ALSO)
- 2 595926 BRKR/ROCK, 2-POLE AC/DC VERT 50A WHT
- 3 648873 BRKR/ROCK, 2-POLE AC/DC VERT 30A WHT
- 4 572529 LIGHT, POLARITY GRN 125V
- 5 557611 LIGHT, POLARITY RED 125V
- 6 767608 GAUGE, VOLTMETER AC 0-150 ANALOG WINDOW MT SM
- 7 1776973 BRKR/ROCK, SGL-POLE AC/DC HORZ UP LUG 10A WHT
- 8 432872 PLUG, BRKR/ROCK
- 1795343 BRKR/ROCK, SGL-POLE AC/DC HORZ UP LUG 20A WHT  
(AIR CONDITIONING / HEATING-3/4 TON-120V/60)
- 9 1799306 BRKR/ROCK, SGL-POLE AC/DC HORZ UP LUG 25A RED
- 10 1799305 BRKR/ROCK, SGL-POLE AC/DC HORZ UP LUG 20A RED
- 11 1799304 BRKR/ROCK, SGL-POLE AC/DC HORZ UP LUG 15A RED
- 12 432872 PLUG, BRKR/ROCK
- 355081 BRKR/ROCK, SGL-POLE AC/DC HORZ 25A RED  
(INVERTER - 12V TO 120V/60 CYCLE)  
(FOR 15" TV)
- 13 1181700 BRKR, P/BTN-MANUAL RESET M-SERIES 1A W/SCREW
- 14 1799341 BRKR/ROCK, SGL-POLE AC/DC HORZ UP LUG 10A RED
- 15 1776975 BRKR/ROCK, SGL-POLE AC/DC HORZ UP LUG 15A WHT
- 16 1795343 BRKR/ROCK, SGL-POLE AC/DC HORZ UP LUG 20A WHT

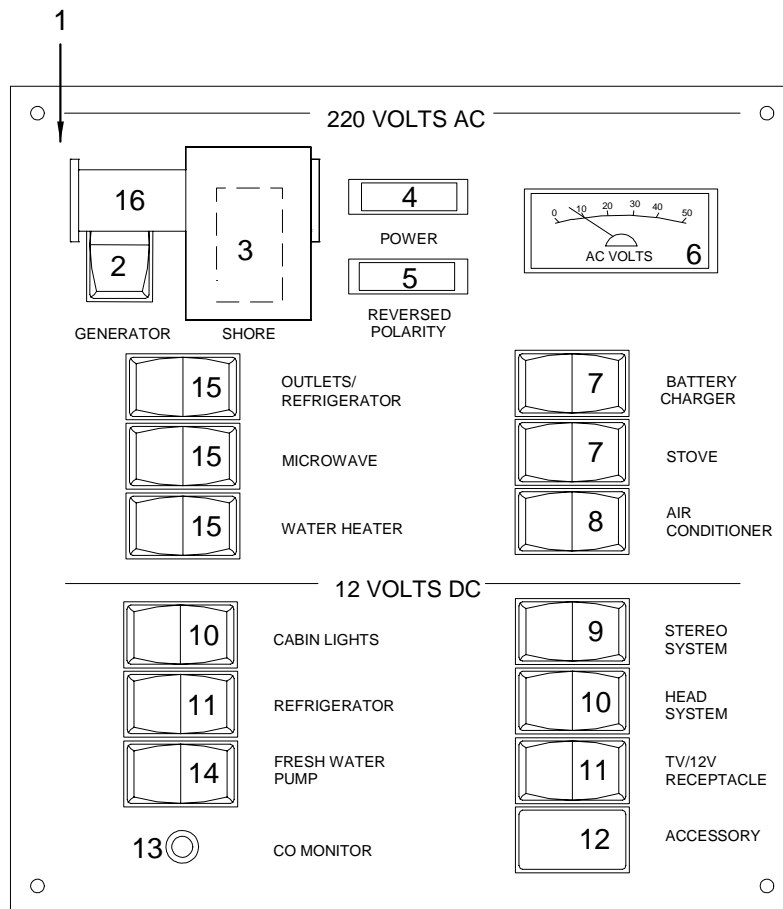
AC MAIN DISTRIBUTION PANEL 50HZ CYCLE



AC MAIN DISTRIBUTION PANEL 50HZ CYCLE

- 1 1802479 PANEL, 290DA-06 AC MDP 220/50 N/GEN  
1759676 PANEL, BLANK:260DA-05 AC MDP 220/50 W/GEN  
(BLANK PANEL ONLY - FOR 1802479)  
(CORRECT BLANK PANEL - PANEL USED FOR 260DA ALSO)
- 2 432872 PLUG, BRKR/ROCK
- 3 440354 BRKR/ROCK, 2-POLE AC/DC VERT 20A WHT
- 4 557603 LIGHT, POLARITY GRN 220V
- 5 557629 LIGHT, POLARITY RED 220V
- 6 796334 GAUGE, VOLTMETER AC 0-300 ANALOG WINDOW MOUNT
- 7 1776961 BRKR/ROCK, SGL-POLE AC/DC HORZ UPT LUG 5A WHT
- 8 432872 PLUG, BRKR/ROCK  
1776975 BRKR/ROCK, SGL-POLE AC/DC HORZ UP LUG 15A WHT  
(AIR CONDITIONING / HEATING-3/4 TON- 220V/50)
- 9 1799306 BRKR/ROCK, SGL-POLE AC/DC HORZ UP LUG 25A RED
- 10 1799305 BRKR/ROCK, SGL-POLE AC/DC HORZ UP LUG 20A RED
- 11 1799304 BRKR/ROCK, SGL-POLE AC/DC HORZ UP LUG 15A RED
- 12 432872 PLUG, BRKR/ROCK  
355081 BRKR/ROCK, SGL-POLE AC/DC HORZ 25A RED  
(INVERTER - 12V TO 220V/60 CYCLE)  
(FOR 15" TV)
- 13 1181700 BRKR, P/BTN-MANUAL RESET M-SERIES 1A W/SCREW
- 14 1799341 BRKR/ROCK, SGL-POLE AC/DC HORZ UP LUG 10A RED
- 15 1776973 BRKR/ROCK, SGL-POLE AC/DC HORZ UP LUG 10A WHT

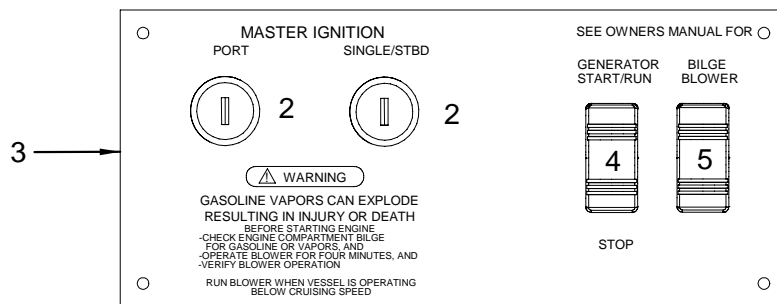
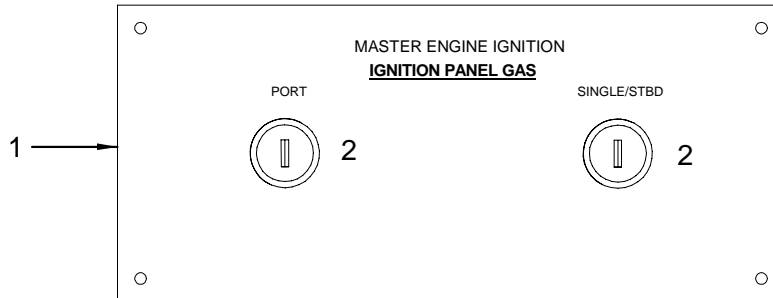
**AC MAIN DISTRIBUTION PANEL 50HZ WITH GENERATOR**



**AC MAIN DISTRIBUTION PANEL 50HZ WITH GENERATOR**

- 1 1801684 PANEL, 290DA-06 AC MDP 220/50 W/GEN
- 1759676 PANEL, BLANK:260DA-05 AC MDP 220/50 W/GEN  
(BLANK PANEL ONLY - FOR 1801684)  
(CORRECT BLANK PANEL - PANEL USED FOR 260DA ALSO)
- 2 629337 BRKR/ROCK, 2-POLE AC/DC VERT 35A WHT
- 3 440354 BRKR/ROCK, 2-POLE AC/DC VERT 20A WHT
- 4 557603 LIGHT, POLARITY GRN 220V
- 5 557629 LIGHT, POLARITY RED 220V
- 6 796334 GAUGE, VOLTMETER AC 0-300 ANALOG WINDOW MOUNT
- 7 1776961 BRKR/ROCK, SGL-POLE AC/DC HORZ UPT LUG 5A WHT
- 8 432872 PLUG, BRKR/ROCK
- 1776975 BRKR/ROCK, SGL-POLE AC/DC HORZ UP LUG 15A WHT  
(AIR CONDITIONING / HEATING-3/4 TON- 220V/50)
- 9 1799306 BRKR/ROCK, SGL-POLE AC/DC HORZ UP LUG 25A RED
- 10 1799305 BRKR/ROCK, SGL-POLE AC/DC HORZ UP LUG 20A RED
- 11 1799304 BRKR/ROCK, SGL-POLE AC/DC HORZ UP LUG 15A RED
- 12 432872 PLUG, BRKR/ROCK
- 355081 BRKR/ROCK, SGL-POLE AC/DC HORZ 25A RED  
(INVERTER - 12V TO 220V/60 CYCLE)  
(FOR 15" TV)
- 13 1181700 BRKR, P/BTN-MANUAL RESET M-SERIES 1A W/SCREW
- 14 1799341 BRKR/ROCK, SGL-POLE AC/DC HORZ UP LUG 10A RED
- 15 1776973 BRKR/ROCK, SGL-POLE AC/DC HORZ UP LUG 10A WHT
- 16 340679 SLIDE ASSY, SLIDE BAR MDP PANEL

**IGNITION SWITCH PANEL (TWIN ENGINE GAS)**

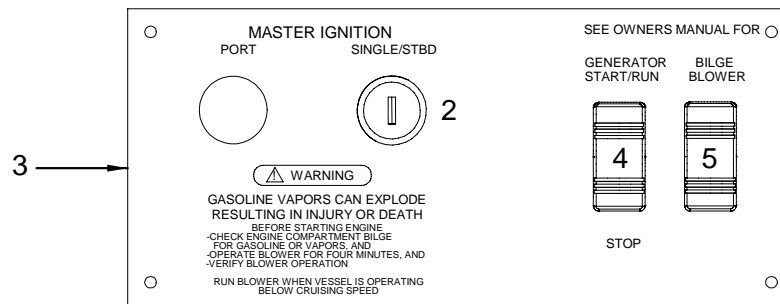
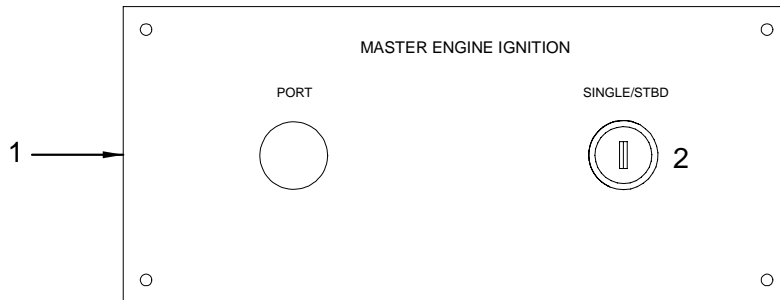


**IGNITION SWITCH PANEL (TWIN ENGINE GAS)**

- 1 1799375 PANEL, 290DA-06 IGN SW GAS TE N/GEN  
(WITHOUT GENERATOR)
- 1799684 PANEL, BLANK:290DA-06 ENG MSTRKEY SW GAS BLK  
(WITHOUT GENERATOR)
- 2 1544188 SWITCH, KEY ASHI DENSO
- 1666171 KEY, MSTR IGN MDB PNL "3103"
- 1666197 KEY, MSTR IGN MDB PNL "3110"
- 1666205 KEY, MSTR IGN MDB PNL "3112"
- 1666213 KEY, MSTR IGN MDB PNL "3113"
- 1666239 KEY, MSTR IGN MDB PNL "3135"
- 1666254 KEY, MSTR IGN MDB PNL "3203"
- 1666262 KEY, MSTR IGN MDB PNL "3210"
- 1666270 KEY, MSTR IGN MDB PNL "3212"
- 1666288 KEY, MSTR IGN MDB PNL "3213"
- 1666296 KEY, MSTR IGN MDB PNL "3235"
- 3 1799376 PANEL, 290DA-06 IGN SW GAS TE W/LOWCO GEN  
(TWIN ENGINE GAS WITH 120V GENERATOR)
- 1799368 PANEL, BLANK:290DA-06 IGN/GEN SW LOWCO GAS  
(TWIN ENGINE GAS WITH 120V GENERATOR)
- 1807791 PANEL, 290DA-06 IGN SW GAS TE W/GEN 220/50  
(TWIN ENGINE GAS WITH 220V GENERATOR)
- 1807789 PANEL, BLANK:290DA-06 IGN/GEN SW GAS 220/50  
(TWIN ENGINE GAS WITH 220V GENERATOR)
- 4 1804271 BODY, ROCK SW XI SPST MOM INDP GRN LNZ 12V  
(120V GENERATOR)  
(COMES W/ACTUATOR)

- 4 1762694 BODY, ROCK SW SPDT MOM BLK W/IND INC LAMP  
(220V GENERATOR)
- 679324 ACTUATOR, ROCK BLK W/BLE LENS ACCY  
(220V GENERATOR)
- 5 1804271 BODY, ROCK SW XI SPST MOM INDP GRN LNZ 12V  
(120V GENERATOR)  
(COMES W/ACTUATOR)
- 799304 BODY, ROCK SW SPST (MOM) BLK W/IND INC LAMP  
(220V GENERATOR)
- 679324 ACTUATOR, ROCK BLK W/BLE LENS ACCY  
(220V GENERATOR)

**IGNITION SWITCH PANEL (SINGLE ENGINE GAS)**



**IGNITION SWITCH PANEL (SINGLE ENGINE GAS)**

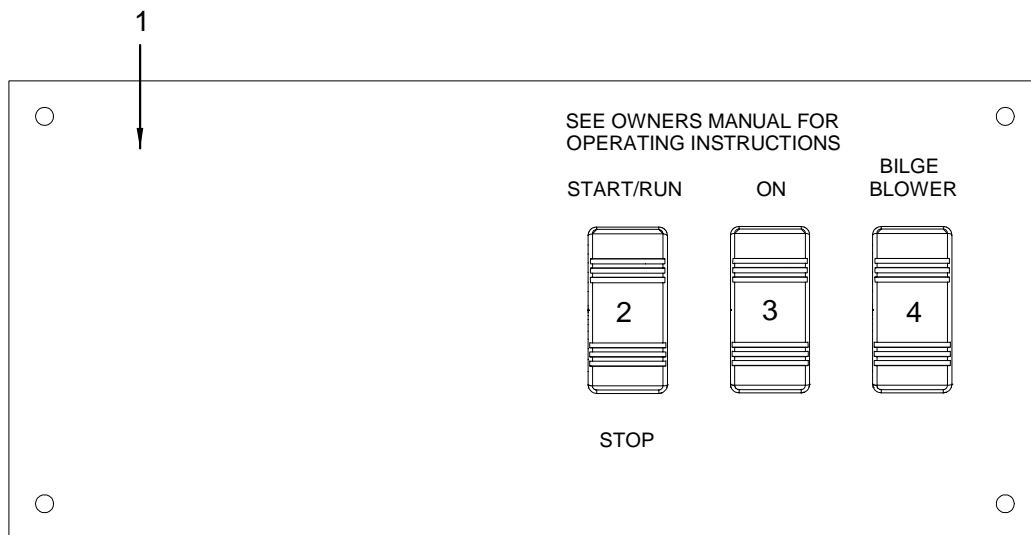
- 1 1799370 PANEL, 290DA-06 IGN KEY SW GAS S/E N/GEN (HULL# 1223 ONLY) (WITHOUT GENERATOR)
- 1799684 PANEL, BLANK:290DA-06 ENG MSTRKEY SW GAS BLK (HULL# 1223 ONLY) (WITHOUT GENERATOR)
- 2 1544188 SWITCH, KEY ASHI DENSO
- 1666171 KEY, MSTR IGN MDB PNL "3103"
- 1666197 KEY, MSTR IGN MDB PNL "3110"
- 1666205 KEY, MSTR IGN MDB PNL "3112"
- 1666213 KEY, MSTR IGN MDB PNL "3113"
- 1666239 KEY, MSTR IGN MDB PNL "3135"
- 1666254 KEY, MSTR IGN MDB PNL "3203"
- 1666262 KEY, MSTR IGN MDB PNL "3210"
- 1666270 KEY, MSTR IGN MDB PNL "3212"
- 1666288 KEY, MSTR IGN MDB PNL "3213"
- 1666296 KEY, MSTR IGN MDB PNL "3235"
- 3 1799373 PANEL, 290DA-06 IGN SW GAS SE W/LOWCO GEN (HULL# 1223 ONLY) (WITH GENERATOR - 120V)
- 1799368 PANEL, BLANK:290DA-06 IGN/GEN SW LOWCO GAS
- 1807790 PANEL, 290DA-06 IGN SW GAS SE W/GEN 220/50 (HULL# 1223 ONLY) (WITH GENERATOR - 220V)
- 1807789 PANEL, BLANK:290DA-06 IGN/GEN SW GAS 220/50
- 4 1804271 BODY, ROCK SW XI SPST MOM INDP GRN LNZ 12V (120V GENERATOR)

- 4 1762694 (COMES W/ACTUATOR) BODY, ROCK SW SPDT MOM BLK W/IND INC LAMP (220V GENERATOR)
- 679324 ACTUATOR, ROCK BLK W/BLE LENS ACCY (220V GENERATOR)
- 5 1804271 BODY, ROCK SW XI SPST MOM INDP GRN LNZ 12V (120V GENERATOR) (COMES W/ACTUATOR)
- 799304 BODY, ROCK SW SPST (MOM) BLK W/IND INC LAMP (220V GENERATOR)
- 679324 ACTUATOR, ROCK BLK W/BLE LENS ACCY (220V GENERATOR)

**NOT SHOWN**

- 1801702 PANEL, BLANK:290DA-06 IGN/EXTNGSR INDCTR DSL (DIESEL ENGINE WITHOUT GENERATOR)

**GENERATOR PANEL (DIESEL)**

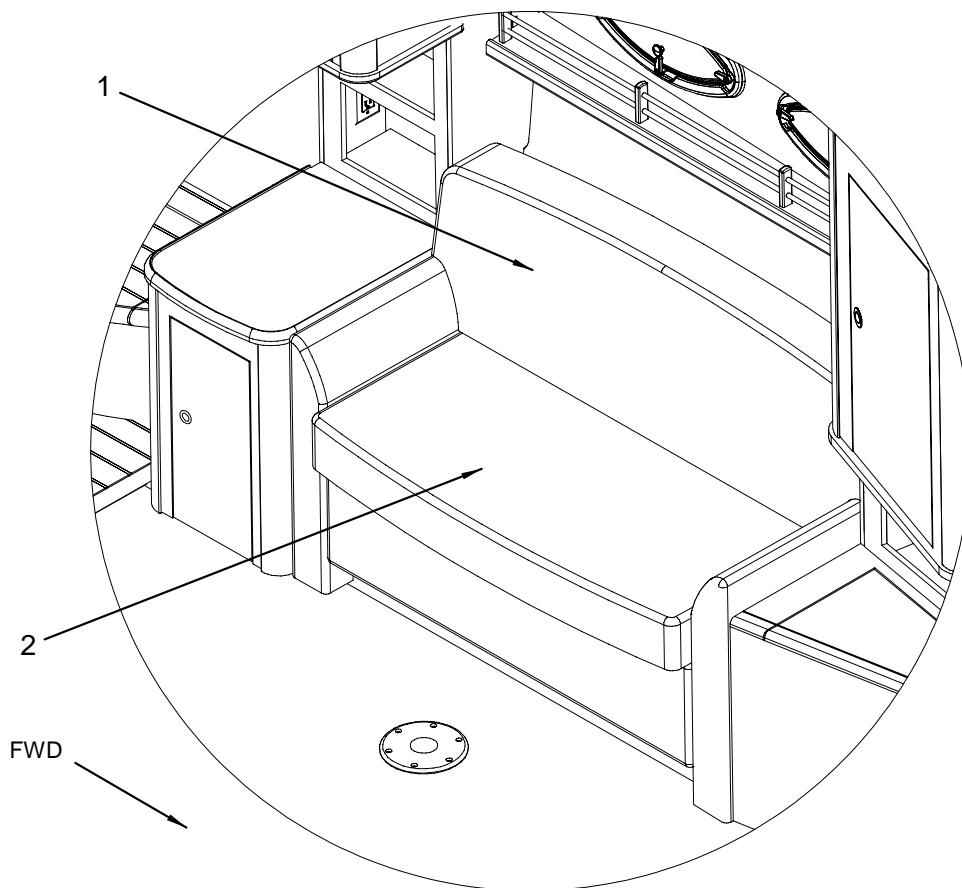


**GENERATOR PANEL (DIESEL)**

- 1 1801720 PANEL, 290DA-06 GEN REMOTE SW DSL
- 2 1762694 BODY, ROCK SW SPDT MOM BLK W/IND INC LAMP
- 679324 ACTUATOR, ROCK BLK W/BLUE LENS ACCY
- 3 681510 BODY, ROCK SW DPST 12V W/INC LAMP
- 679324 ACTUATOR, ROCK BLK W/BLUE LENS ACCY
- 4 799304 BODY, ROCK SW SPST (MOM) BLK W/IND INC LAMP
- 679324 ACTUATOR, ROCK BLK W/BLUE LENS ACCY



**SALON (UPHOLSTERY)**



**SALON (UPHOLSTERY)**

- 1 1810475 290DA 06,B/R,SLN SOFA
- 1810476 290DA 06,B/R SKN,SLN SOFA
- 2 1810477 290DA 06,CUSH,SLN SOFA
- 1810478 290DA 06,CUSH SKN,SLN SOFA

**CUSHION MATERIAL**

- 1003474 VINYL, ALLANTE II CREAM EXP FLAT (INTERIOR A)
- 1079797 VINYL, ALLANTE II CHAMPAGNE EXP FLAT (INTERIOR C)
- 1781416 VINYL, ALLANTE II FAWN EXP FLAT (INTERIOR B)
- 1003474 VINYL, ALLANTE II CREAM EXP FLAT (INTERIOR D)

**FOAM**

- 1806436 FOAM, P/C 290DA-06 SLN CUSH SET

**HEADLINER/HULL LINER/WASHABLE SURFACE**

- 1736787 VINYL, RVIEW LT CAMEO N/W 1/2"FB
- 1747515 VINYL, RVIEW LT CAMEO N/W 1/4"FB

**PORTLIGHT CURTAINS**

- 1798120 CURTAIN, 280DA-06 VERONA GLOW PRTLIGHT

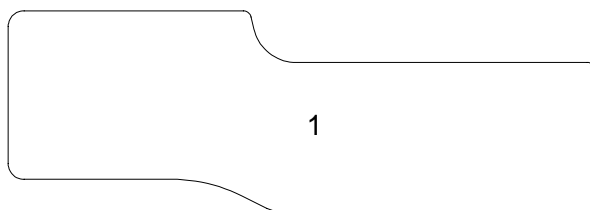
**STORAGE & BUNK TOPS**

- 1128487 FABRIC, GEOMETRIC STRAW (NDLPNCH) W/BACK

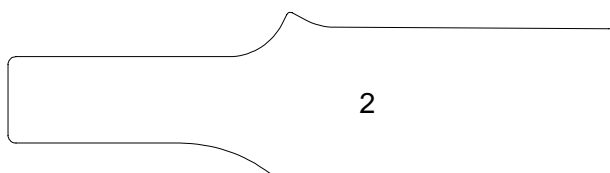
**UPHOLSTERY**

- 1235589 TACK STRIP, POLYPROPYLENE 3/8"
- 223966 DACRON, BONDED DACRON 11LB/RL
- 602169 TAB, PULL TAB MATERIAL 1.5"X 250YDS
- 103309 MESH, WHITE 60" (CONTACT PLANT FOR EFFECTIVE HULL#)
- 983452 MESH, BLACK 54" (CONTACT PLANT FOR EFFECTIVE HULL#)
- 989426 VINYL, ALLANTE II BLK EXP FLAT

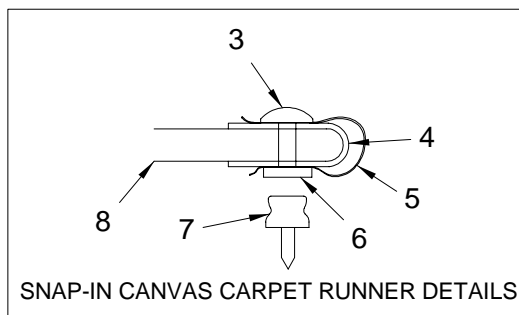
**INTERIOR (CANVAS CARPET RUNNER)**



1



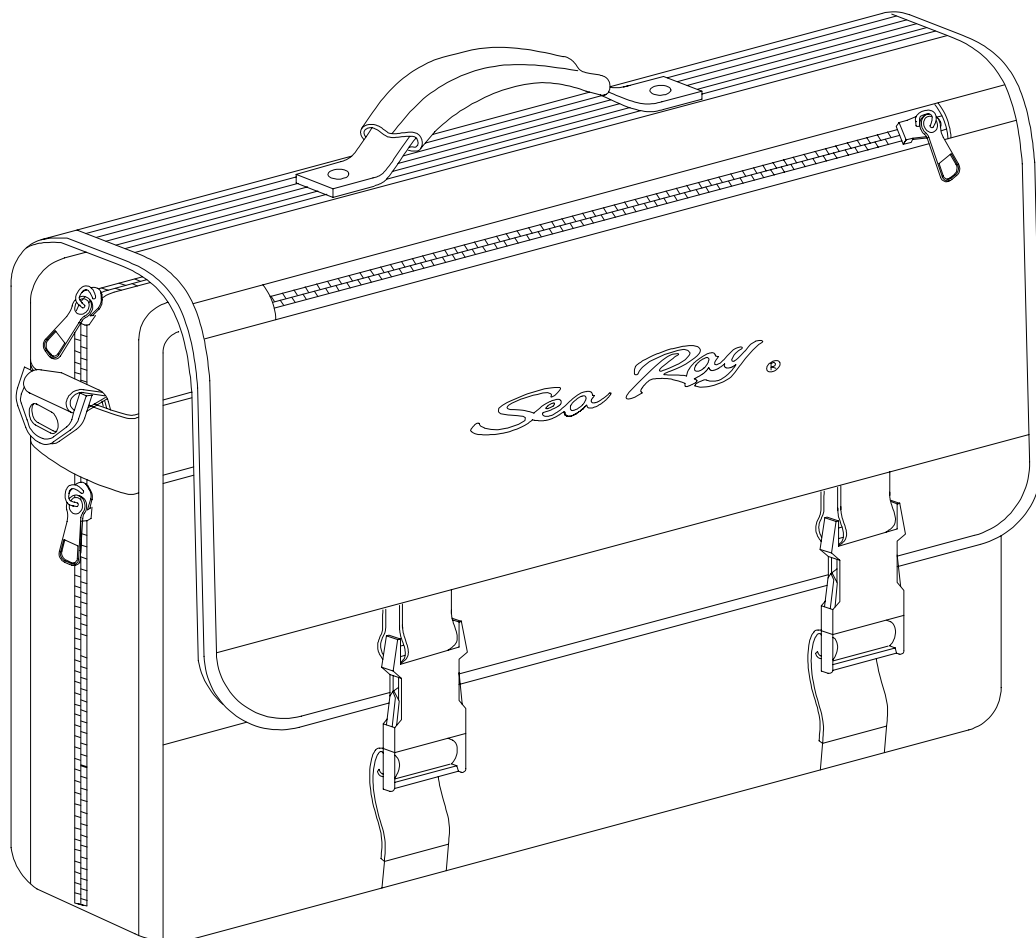
2



**INTERIOR (CANVAS CARPET RUNNER)**

- 1 1820122 290DA 06,CANVAS,CR TST STD
- 2 1820123 290DA 06,CANVAS,CR TST OPT  
**(WOOD GALLEY FLOOR)**
- 3 1574771 SNAP BUTTON, W/1/4" BARREL BLK
- 4 1218205 BINDING, CANVAS 1" TOAST TWEED SNBRLA
- 5 1790664 SNAP REINFORCEMENT, PLAS BACKER 500 PC/ROLL
- 6 1163864 SNAP SOCKET, W/ 1/8" HOLE
- 7 154377 SNAP STUD, W/#8 X 5/8" PH SS
- 8 1180025 CANVAS, SUNBRELLA TOAST TWEED 60"

MULTI-INFO PACKET



**MULTI-INFO PACKET****MULTI-INFO PACKET**

1794073 PACKET, MULTI-INFO 290DA-06

**OWNERS PACKET CONTENTS**

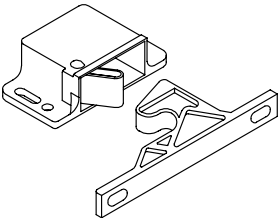
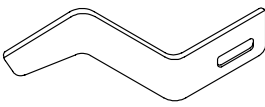
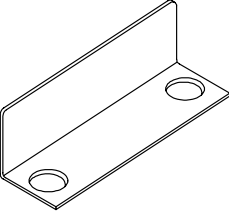
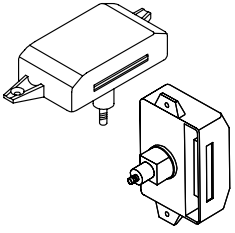
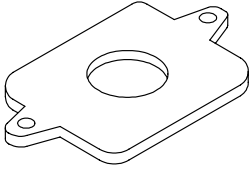
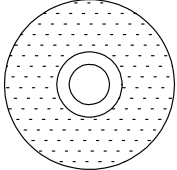
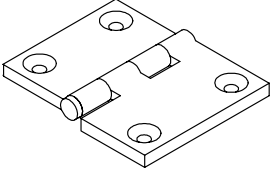
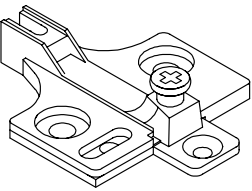
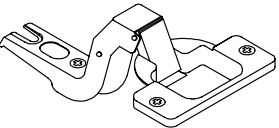
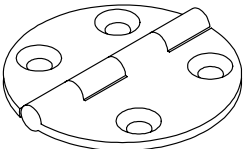
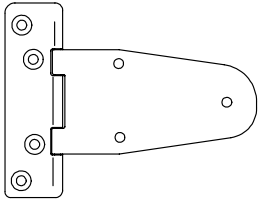

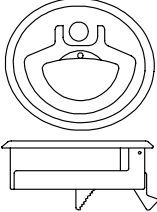
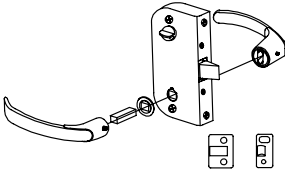
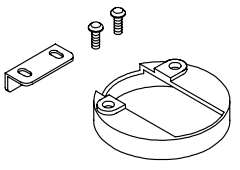
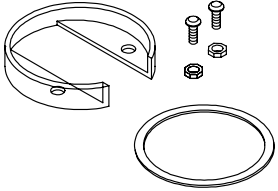
902726 PACKET, OWNERS BRIEFCASE CANVAS BLK (TYPHOON)  
 137711 CARD, NAVIGATION INFORMATION  
 137729 CARD, COAST PILOTING INFORMATION  
 1411404 ENVELOPE, DEALER INFORMATION  
 1507912 CARD, PASSPORT TO SAVINGS  
 1507938 CARD, TALOR WINDSHIELD/GLASS CARE  
 1751550 CARD, CANVAS CARE & CLEANING MORBERN  
 1751553 BOOKLET, COAST GUARD FEDERAL REQUIREMENT  
 1751559 CARD, CANVAS CARE & CLEANING SUNBRELLA  
 1751562 CARD, WARRANTY SUNBRELLA LIMITED  
 1751563 BOOKLET, STA-BIL FUEL STABILIZER  
 1751564 CARD, CANVAS CARE & CLEANING SEA RAY  
 1764423 BROCHURE, CARBON MONOXIDE AWARENESS  
 1766184 BROCHURE, WATERSKI SAFETY GUIDELINES  
 1777026 DVD, 97 OWNER ORIENTATION SPCRUISER NTSC  
 1797956 CHECK LIST, IN SERVICE - SP CRUISERS 05.5  
 1798084 LABEL, CHEMICAL WARNINGS  
 1801918 CARD, WARRANTY - SPRT CRSR/SPRT YCHT/YCHT 06  
 750075 CARD, MARINE ELECTRONICS  
 798595 HARNESS, ACCY HATCH LIFT PIGTAIL  
 833749 FUSE BOX, SPARE W/6 ATC BLADE STYLE  
 1805468 CARD, LADDER MAINTENANCE  
 (HULL# 1436 -> UP)

**OWNERS PACKET SUPPLIED BY PLANT**

187245 LABEL, BOATMAN'S CHECK LIST  
 434191 CARD, NAVIGATIONAL INTERNATIONAL  
 (EXPORT PACKING - INTERNATIONAL)  
 522599 KEY, DECK PLATE CAP  
 (FUEL CAP)  
 1068592 KEY, DECK PLATE CAP  
 (WASTE CAP)  
 1683713 CARD, QUICK REFERENCE SHRPWR SPCRUIS/02  
 1691479 MANUAL, OWNERS - SEA RAY INT'L 12-LANGUAGE  
 (C E OPTION GROUP)  
 1747505 LABEL, INFO REPL PROD/BROCH/DLRLOC/ETC  
 1766115 PACKET, SIRIUS WELCOME KIT

KNOXVILLE HARDWARE

# KNOXVILLE PLANT HARDWARE


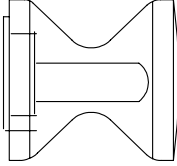
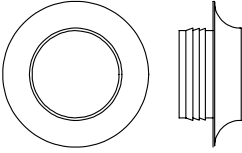
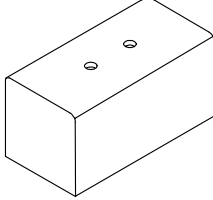
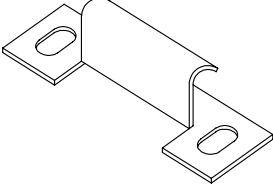
<p><b>BLACK 10LB</b></p>  <p>1 → 390849</p>	<p><b>2" OFFSET SHORT SS</b></p>  <p>2 → 1781439</p>	 <p>3 → 761445</p>	<p><b>WHITE</b></p>  <p>4 → 772418</p>
 <p>5 → 1132380</p>	 <p>6 → 776567</p>	 <p>7 → 132324</p>	 <p>8 → 525667</p>
 <p>9 → 839399</p>	 <p>10 → 1338821</p>	 <p>11 → 1683753</p>	<p><b>STAINLESS STEEL</b></p>  <p>12 → 1781437</p>
<p><b>STAINLESS STEEL</b></p>  <p>13 → 1781434</p>	<p><b>RH OUT SATIN/NICKLE</b></p>  <p>14 → 1776179</p>	 <p>15 → 1781435</p>	 <p>16 → 1781440</p>

**KNOXVILLE HARDWARE**

- 1 390849 CATCH, GRABBER LATCH W/10LB HOLD BLK PLAS
- 2 1781439 CATCH, PAWL 2"OFFSET SHORT SS
- 3 761445 CATCH, RIM-LOCK STRIKE PLATE
- 4 772418 CATCH, RIM-LOCK WHT
- 5 1132380 CATCH, RIM-LOCK WHT (SHIM ONLY)
- 6 776567 CATCH, ROUND PLAS 13/16" "DUAL LOCK" (3M)
- 7 132324 HINGE, BUTT CHROME/ZINC 2"
- 8 525667 HINGE, CONCEALED FULL OVERLAY MT PLATE ONLY
- 9 839399 HINGE, SELF CLOSING BLUM SCREW-ON
- 10 1338821 HINGE, SS STRAP 2.56" X 2.56" X 1/4"
- 11 1683753 HINGE, SS 320DA-02 CKPT HATCH
- 12 1781437 LATCH, COMPRESSION 2"N/LOCKING SS
- 13 1781434 LATCH, FLUSH MNT N/LOCKING SLAM SS
- 14 1776179 LATCH, OFFSHR FLSH RH-OUT PRVKNB SAT/NCK 5/8"
- 15 1781435 PLATE, CUP BRKT 2"LONG SCREW W/HDWR PKG
- 16 1781440 PLATE, DEEP BRKT 2"W/HDWR PKG SS

**KNOXVILLE HARDWARE (CONTINUED 1)**

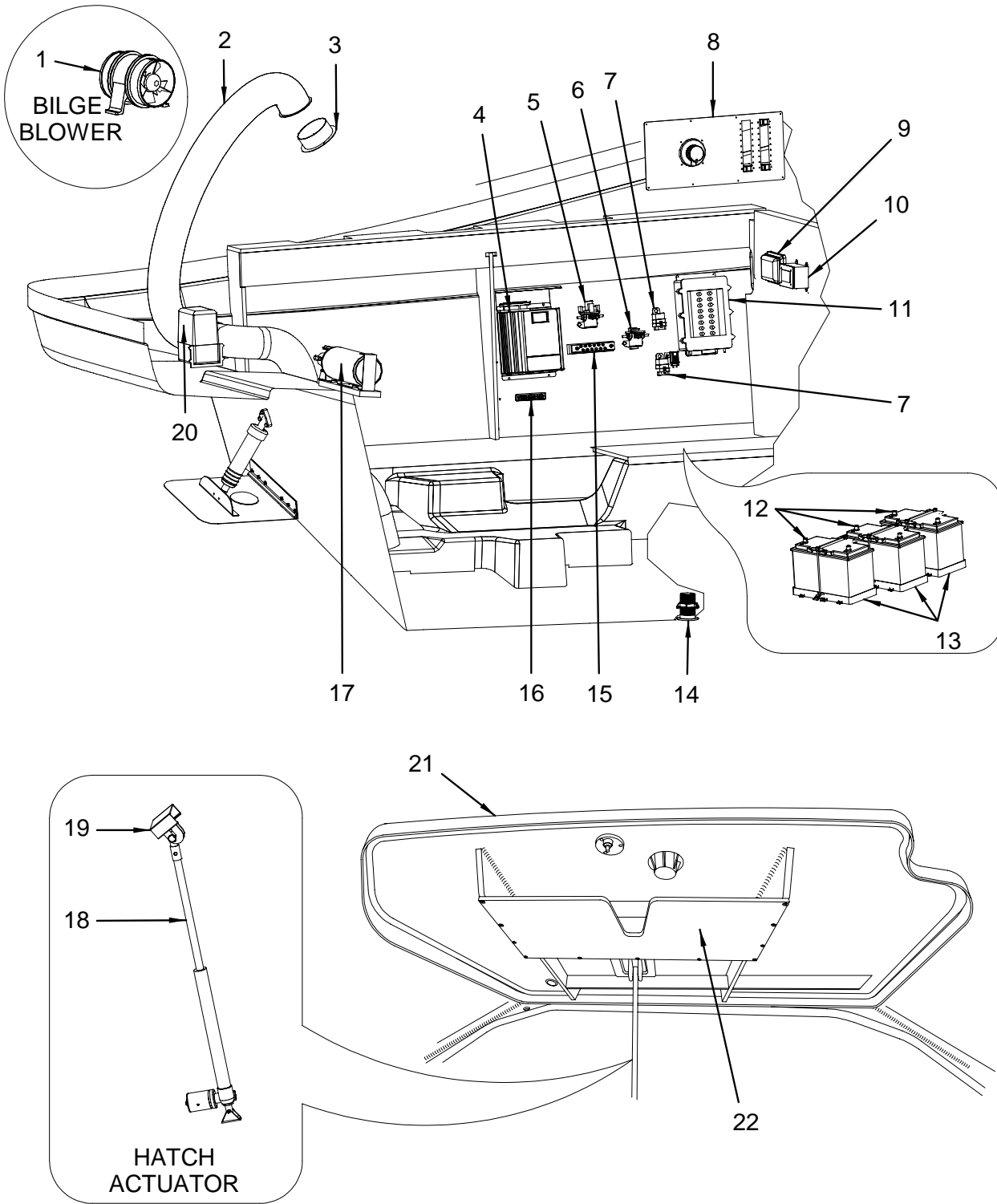
## KNOXVILLE PLANT HARDWARE

	SATIN	SATIN/NICKLE	ARTIC WHITE
 1 → 1499151	 2 → 1742136	 3 → 1776837	 4 → 1046796
 5 → 1805874			

**KNOXVILLE HARDWARE (CONTINUED 1)**

- 1 1499151 PLATE, STRIKER XL "L" SHAPED 316 SS
- 2 1742136 PULL, PUSH-BUTTON KNOB SAT/NCKL
- 3 1776837 PULL, ROSETTE SAT/NCKL RND 16MM (5/8")
- 4 1046796 STOP, HDPE 310DA-98 TRNS DOOR 3/4"X 3/4"X 1.5
- 5 1805874 PLATE, STRIKER SLAM LATCH SS 1 13/16"SPCL

**BILGE (PORT VIEW)**





**BILGE (PORT VIEW)**

- 1 1794013 BLOWER, BILGE 4" ATTWOOD W/CONN
- 2 124016 HOSE, VENT/BLOWER 4" EX HVY DTY
- 3 791749 VENT, PLAS GRILL 4" WHT
- 4 1684144 CONVERTER, 30AMP 120VAC/12VDC
- 1745132 CONVERTER, 20AMP 120/220 50/60HZ 12VDC REV 1 (220V)
- 5 644609 SOLENOID, MAGNET LATCHING 12V 100A/500A W/HDW (WINDLASS - LOFRANS MARLIN - ROPE/CHAIN) (WINDLASS - LOFRANS MARLIN - CHAIN)
- 6 1690833 SOLENOID, EMERG START 12V 100AMP (GAS ENGINES ONLY)
- 7 1690529 RELAY, SPST 12V 20/40A IGN PROT HATCH LOCKOUT (SUPPLIED WITH BILGE HARNESS)
- 8 1799350 PANEL, 290DA-06 MDC BRKR W/BATT GAS TE (TWIN ENGINE GAS)
- 1799367 PANEL, 290DA-06 MDC BRKR W/BATT DSL (SINGLE ENGINE DIESEL)
- 1799352 PANEL, 290DA-06 MDC BRKR W/BATT GAS S/E HULL# 1223 ONLY - SINGLE ENGINE GAS
- 9 822668 LIGHT, SGL DOME FLUSH MT PLAS WHT W/O SWITCH
- 604801 BULB, DOME LIGHT 12V
- 10 522813 BOX, RECEPTACLE PVC SURFACE MOUNT CARLON (AIR CONDITIONING / HEATING-3/4 TON)
- 147397 COVER PLATE, CARLON BOX SGL (AIR CONDITIONING / HEATING-3/4 TON)
- 1743616 LABEL, UNPLUG SHORE POWER WARNING (AIR CONDITIONING / HEATING-3/4 TON)
- 11 1810629 MODULE, ELEC INTERFACE AFT S-CRUISER 06 (HULL# 1289 -> UP)
- 1797305 MODULE, ELEC INTERFACE AFT S-CRUISER 05 (HULL# 1201 -> 1288)
- 12 140509 BOOT, ENG STARTER RED
- 650499 BOOT, BATTERY CABLE 4/0 RED 11/16"
- 1258979 BOOT, BATTERY CABLE 105C "T" BLK 4/0
- 650507 BOOT, BATTERY CABLE 4/0 BLK 11/16"
- 793307 CONN, RING 4GA X 3/8R BATT/CBL COP PLTD CLSD
- 1801704 CABLE, BATT KIT 290DA-06 GAS TE (TWIN ENGINE)
- 1801705 CABLE, BATT KIT 290DA-06 DSL (DIESEL ENGINE)
- 1801703 CABLE, BATT KIT 290DA-06 GAS S/E (HULL# 1223 ONLY - WITHOUT GENERATOR)
- 1801706 CABLE, BATT KIT 290DA-06 GAS SE W/GEN (HULL# 1223 ONLY - WITH GENERATOR)
- 13 1239458 HOLDER, BATTERY GR27/31 BLK NYLON W/SS
- 14 1690371 ACC PART, MERC S-CRFT TRNS W/19' NYL DEP/TEMP NAVIGATOR, SRNII TRANSDUCR DEPTH/TEMP W/PT NY (GPS / CHARTPLOTTER - NORTHSTAR 6000I)
- 1757382 HARNESS, TRNSDCR DEPTH/TEMP 30' NRTHSTR 6000I (GPS / CHARTPLOTTER - NORTHSTAR 6000I)
- 1795162 HARNESS, PIGTAIL 5'SRN II XDUCR TO 6000I (GPS / CHARTPLOTTER - NORTHSTAR 6000I)
- 15 638205 BUSS BAR, DC GROUND 12-POSITION LARGE (SUPPLIED WITH BILGE HARNESS)
- 16 1324334 BUSS BAR, MINIBUS BAR DC
- 17 1787273 HALON SYS, MANUAL/AUTO 250CF W/CONN
- 598169 HALON CABLE, MANUAL PULL CABLE 18'
- 1642271 FIRE EXT SYS, FM200 250CF GAS/DSL-MAN/AUTO (FIRE SUPPRESSION FM 200 INTERNATIONAL) (C E OPTION GROUP)
- 1148857 HALON SYS, ENG INTRUPT/RESTRT 12V 5-CKT (DIESEL ENGINE)
- 18 1110071 TRIM TAB, HYD PUMP KIT W/10'HOSE/3"NIPPLE
- 841825 SHIM, PVC TRIM TAB PUMP BLK
- 19 1686744 BRACKET, 320DA-02 HATCH LIFT UPR
- 20 1799988 ACTUATOR, ELEC HATCH LIFT 18"12V 6000RPM
- 1808429 ACTUATOR, EXTEN 5.25"X 1.25"OD X .049"SS
- 21 1872705 290DA 06,HATCH,ENG FBRGLS
- 22 1872355 290DA 06,TBL STRG,ENG HATCH

**ELECTRICAL**

- 156885 CONN, NON-MET BOAT CABLE 0.30 TO 0.60 DIA
- 795583 BUSS BAR, SGL POST 5/16"

**HARNESSES**

- 1801710 HARNESS, 290DA-06 BILGE W/S-CRFT 120V
- 1801711 HARNESS, 290DA-06 BILGE W/S-CRFT 220V (220V)
- 1801717 HARNESS, 290DA-06 CABIN 120V
- 1801718 HARNESS, 290DA-06 CABIN 220V (220V)
- 1486620 HARNESS, 280DA-01 GROUNDING
- 1507276 HARNESS, MERC DATA S-CRFT W/TERM 1000-1RSL-30

**HARNESSES (continued)**

- 1507300 HARNESS, SYSTEM SPEED
- 1727448 HARNESS, MERC DATA S-CRFT W/TERM 1000-1RSL-25

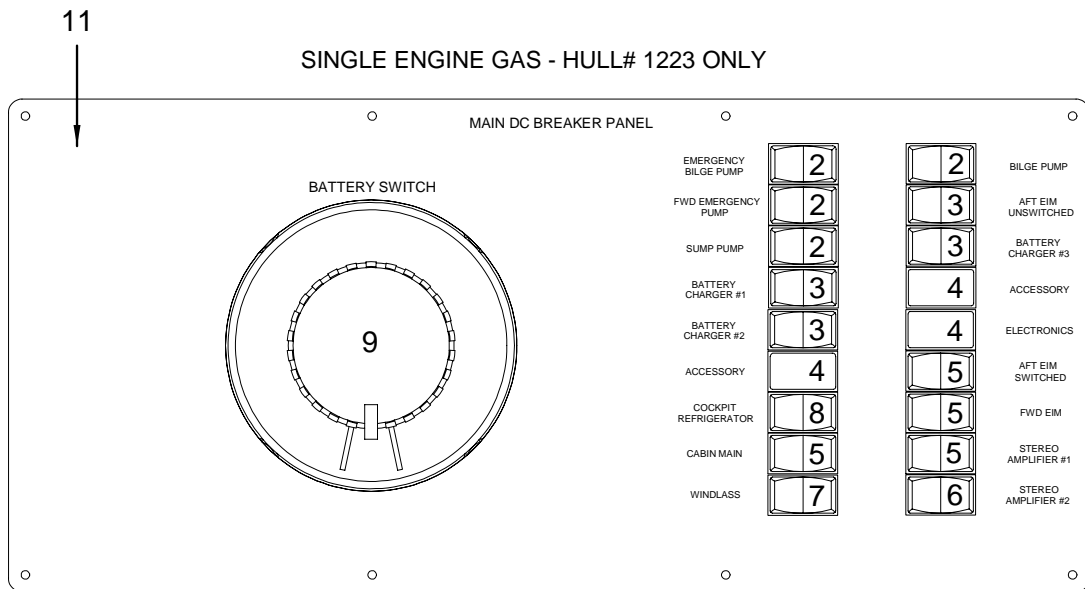
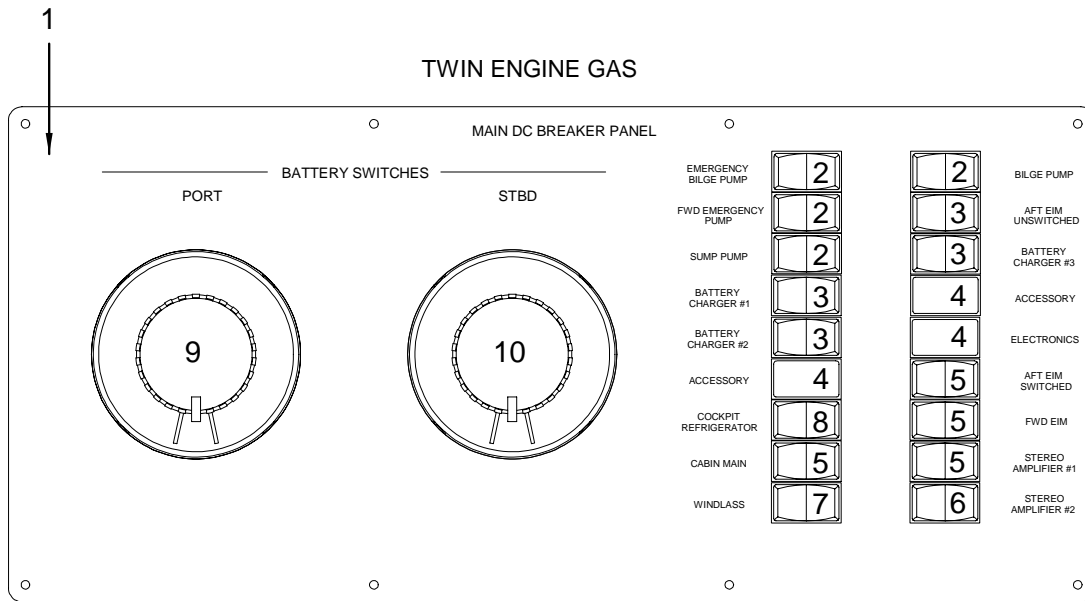
**LABELS**

- 1744737 LABEL, DISCHARGE OF OIL (LEXAN)
- 1745156 LABEL, NOTICE OVERBOARD DISCHARGE (LEXAN)
- 1746895 LABEL, CHECK BATTERY CELL FLUID LEVEL
- 1746896 LABEL, DANGER STAY CLEAR OF MOVING PARTS
- 1745512 LABEL, STAY CLEAR OF MOVING PARTS ON ENGINE
- 1746901 LABEL, CAUTION BATTERY SWITCH OFF/ALT DAMAGED

**NOT SHOWN**

- 651190 TIE, CABLE 7.5" MED BLK W/O EYELET
- 1126747 TIE, CABLE 8.5" SCREW MNT BLK SS BARB
- 1126754 TIE, CABLE 15.5" SCREW MNT BLK SS BARB
- 836007 BRACKET, ALUM 1.5"X 1.5"X 3" 3/16"HOLES
- 836023 BRACKET, ALUM 1.5"X 1.5"X 1.5" 3/16"HOLES
- 836114 BRACKET, PVC 1.5"X 1.5"X 6" 3/16"HOLES
- 1486497 ACC PART, VOLVO BOOT PROTECTIVE SLEEVE
- 1501824 HOSE, CONDUIT/SPLIT 3/4" FLAME RETARDANT
- 315507 INSULATION, VIBRACON 1"
- 770404 INSULATION, 2" ACOUSTICAL 4.5'X 6' ALUM
- 1818932 CHANNEL, 290DA-06 HTCH ACTUATOR 4"
- 908566 BRACKET, ALUM 2"X 2"X 1/4"X 7.5"W/5/8"HOLES 2
- 527218 MOUNT, ALUM STRINGER 1/4" GAS
- 667345 SUPPORT, MOTOR MOUNT 7.5"X "L" SHAPED
- 1805169 ENGINE MT, ALUM VOLVO DSL PRT P/C (DIESEL ENGINE)
- 1805173 ENGINE MT, ALUM VOLVO DSL STB P/C (DIESEL ENGINE)

DC MAIN BREAKER PANEL (GAS)



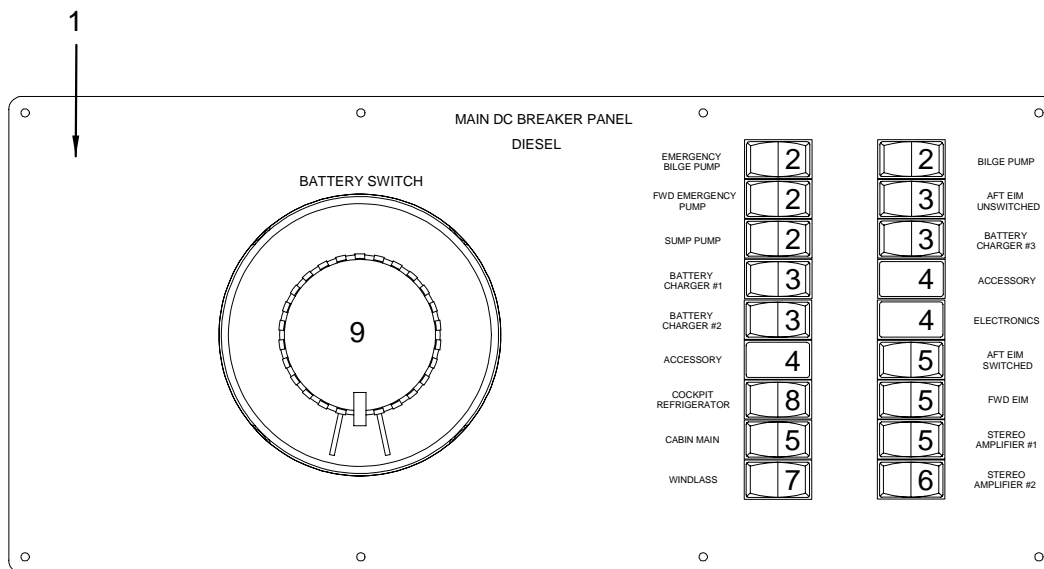
**DC MAIN BREAKER PANEL (GAS)**

- 1 1799350 PANEL, 290DA-06 MDC BRKR W/BATT GAS TE
- 1799345 PANEL, BLANK:290DA-06 MDC BRKR W/BATT GAS TE
- 2 1181726 BRKR/ROCK, SGL-POLE MNL RSET DC IGNPRT 5A YLW
- 3 1412006 BRKR/ROCK, SGL-POLE MNL RSET DC IGNPRT 30A YL
- 4 432872 PLUG, BRKR/ROCK
- 5 1181775 BRKR/ROCK, SGL-POLE MNL RSET DC IGNPRT 50A YL  
(PREMIUM COCKPIT SOUND SYSTEM - 12 VOLT)  
(STEREO AMPLIFIER #1)
- 6 432872 PLUG, BRKR/ROCK
- 1771141 BRKR/ROCK, SGL-POLE MNL RSET DC IGNPRT 25A YL  
(PREMIUM COCKPIT SOUND SYSTEM - 12 VOLT)  
(STEREO AMPLIFIER #2)
- 7 432872 PLUG, BRKR/ROCK
- 1772527 BRKR/ROCK, SGL-POLE C-SERIES DC IGNPRT 50A LD  
(WINDLASS - LOFRANS MARLIN - ROPE/CHAIN)  
(WINDLASS - LOFRANS MARLIN - CHAIN)
- 8 432872 PLUG, BRKR/ROCK
- 1181759 BRKR/ROCK, SGL-POLE MNL RSET DC IGNPRT 15A YL  
(COCKPIT REFRIGERATOR DUAL VOLT-120V/60-12V)  
(COCKPIT REFRIGERATOR DUAL VOLT-220V/50-12V)
- 9 1726840 SWITCH, BATTERY SEL W/O LOCK W/O DISC REV 1
- 10 1726841 SWITCH, BATTERY ON/OFF N/LCK N/DISC RV1
- 11 1799352 PANEL, 290DA-06 MDC BRKR W/BATT GAS S/E  
(HULL# 1223 ONLY)
- 1799351 PANEL, BLANK:290DA-06 MDC BRKR W/BATT GAS SE  
(HULL# 1223 ONLY)

**NOT SHOWN**

- 829432 BUSS BAR, DBL POST 5/16"  
(SUPPLIED WITH PANEL HARNESS)

**DC MAIN BREAKER PANEL (DIESEL)**



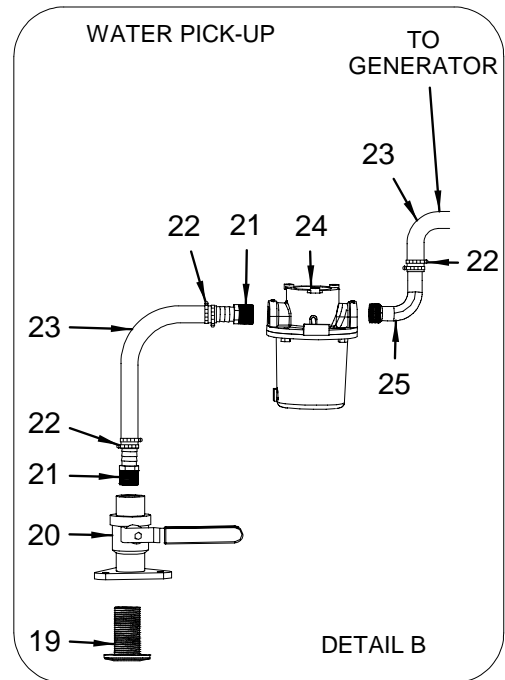
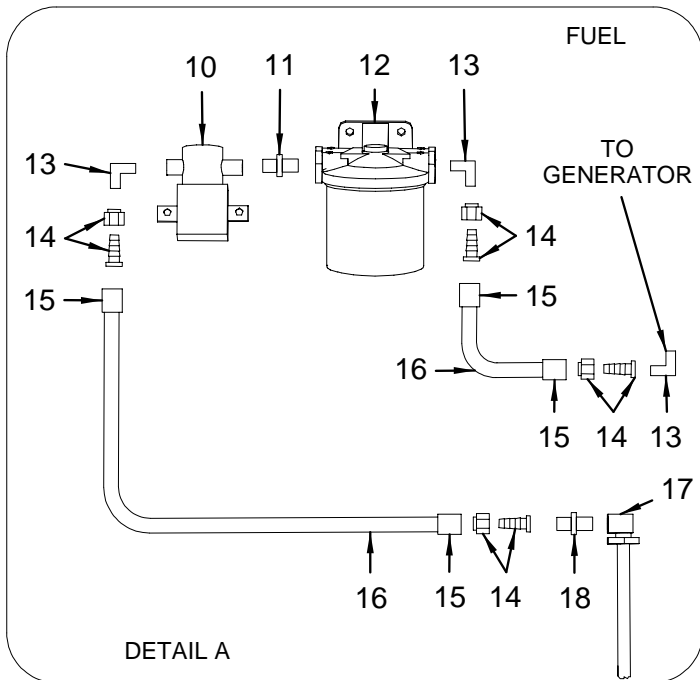
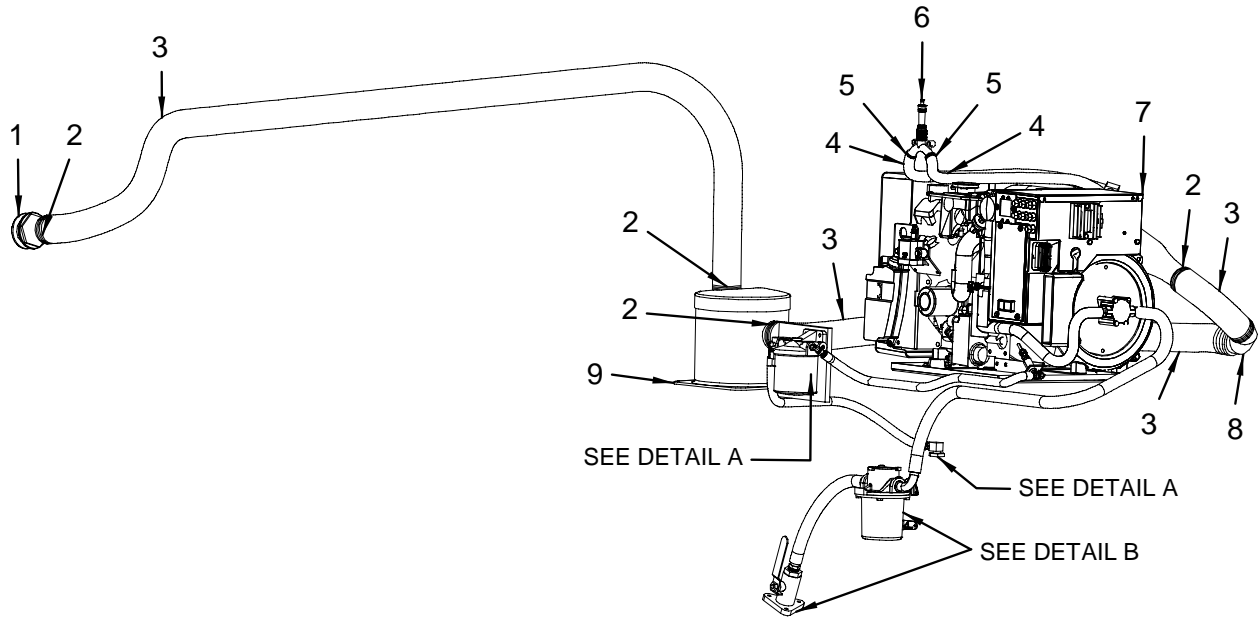
**DC MAIN BREAKER PANEL (DIESEL)**

- 1 1799367 PANEL, 290DA-06 MDC BRKR W/BATT DSL
- 1799361 PANEL, BLANK:290DA-06 MDC BRKR W/BATT DSL
- 2 1181726 BRKR/ROCK, SGL-POLE MNL RSET DC IGNPRT 5A YLW
- 3 1412006 BRKR/ROCK, SGL-POLE MNL RSET DC IGNPRT 30A YL
- 4 432872 PLUG, BRKR/ROCK
- 5 1181775 BRKR/ROCK, SGL-POLE MNL RSET DC IGNPRT 50A YL  
(PREMIUM COCKPIT SOUND SYSTEM - 12 VOLT)  
(STEREO AMPLIFIER #1)
- 6 432872 PLUG, BRKR/ROCK
- 1771141 BRKR/ROCK, SGL-POLE MNL RSET DC IGNPRT 25A YL  
(PREMIUM COCKPIT SOUND SYSTEM - 12 VOLT)  
(STEREO AMPLIFIER #2)
- 7 432872 PLUG, BRKR/ROCK
- 1772527 BRKR/ROCK, SGL-POLE C-SERIES DC IGNPRT 50A LD  
(WINDLASS - LOFRANS MARLIN - ROPE/CHAIN)  
(WINDLASS - LOFRANS MARLIN - CHAIN)
- 8 432872 PLUG, BRKR/ROCK
- 1181759 BRKR/ROCK, SGL-POLE MNL RSET DC IGNPRT 15A YL  
(COCKPIT REFRIGERATOR DUAL VOLT-120V/60-12V)  
(COCKPIT REFRIGERATOR DUAL VOLT-220V/50-12V)
- 9 136150 SWITCH, BATTERY ON/OFF DSL W/DISC

**NOT SHOWN**

- 829432 BUSS BAR, DBL POST 5/16"  
(SUPPLIED WITH PANEL HARNESS)

GENERATOR SYSTEM (GAS)



## GENERATOR SYSTEM (GAS)

## NOT SHOWN (continued)

1	1769255	THRU-HULL, SS EXHAUST 2" W/SS LIP
2	417717	CLAMP, HOSE #36 7/8"-2.75" SS .505
3	913053	HOSE, EXHAUST 2" CORR HW
4	124594	HOSE, WATER 5/8" HVY DTY (HEATER)
5	123398	CLAMP, HOSE #06M 5/16"-7/8"SS MINI
6	1749612	SYPHON BREAK KIT, GEN EXH ONAN 3/4"
7	1727343	GENERATOR, 5.0 KW GAS KOHLER 120V/60 (GENERATOR 5.0 E KOHLER - GAS - 120V/60HZ) (GENERATOR 4.0 EF KOHLER - GAS - 220V/50HZ)
	1803671	GENERATOR, 5ECD GAS KOHLER 120V/60 SCRFT (GEN. 5.0 ECD KOHLER - GAS - 120V/60HZ)
	1833211	GENERATOR, 4EFCO GAS KOHLER 220V/50 SCRFT (GEN. 4.0 EFCO KOHLER - GAS - 220V/50HZ)
	1808040	BRACKET, ALUM GEN MNT Z-TYP 2 5/16"X3"X1/8"TH
8	1718687	EXHAUST, EL 2"X 90DEG RBR W/T-BOLT CLAMPS (GEN. 5.0 ECD KOHLER - GAS - 120V/60HZ) (GEN. 4.0 EFCO KOHLER - GAS - 220V/50HZ)
9	1784602	MUFFLER, 2"IN X 2"OUT 9"X 9" BASE
	160374	MUFFLER, DRAIN PLUG
10	1791155	VALVE, BRASS FUEL SHUT-OFF 12V SER7000 10W
11	162750	ADAPTER, BRASS 1/4"MPT X 1/4"SAE
12	148171	FILTER, FUEL/WATER SEPARATOR KIT
13	629253	ELBOW, BRASS 90DEG 1/4"SAE X 1/4"MPT
14	629279	FITTING, BRASS 1/4"BARB/NUT
15	965954	FERRULE, FUEL LINE 1/4"ISO/CE .650"ID (HULL# 1338 -> UP)
	1477314	FERRULE, FUEL LINE 1/4"ISO/CE (HULL# 1201 -> 1337)
16	340901	HOSE, FUEL 1/4" TYPE A CLASS 1 ISO/CE (HULL# 1338 -> UP)
	1485481	HOSE, FUEL 1/4" ISO/CE W/PLAS LINER (HULL# 1201 -> 1337)
17	1804423	TUBE, PICK-UP ASSY 290DA-06 12.36"W/3/8"ELB
18	716688	ADAPTER, BRASS 3/8"MPT X 1/4"SAE
19	640300	THRU-HULL, BRZ 3/4" W/O NUT
20	518431	SEACOCK, BRZ 3/4" W/O TAILPIECE
21	531426	ADAPTER, BRZ 3/4"MPT X 3/4"BARB
22	256677	CLAMP, HOSE #12 1/2"-1.25" SS .505
23	123810	HOSE, GEN PURPOSE 3/4"
24	1791584	STRAINER, BRZ WATER INTAKE 3/4" W/NYLON STRAP
	1404854	PLUG, PLASTIC STRAINER DRAIN
25	169193	ELBOW, BRZ 90DEG 3/4"MPT X 3/4"BARB

168955	ELBOW, BRASS 90DEG 1/4"MPT X 1/2"SAE
321158	EXHAUST, EL 2"X 90DEG W/2-4" & 1-2.5" LEGS (GEN. 5.0 ECD KOHLER - GAS - 120V/60HZ) (GEN. 4.0 EFCO KOHLER - GAS - 220V/50HZ)

## ELECTRICAL

1810630	MODULE, ELEC INTERFACE SWITCHING SYS 06 (HULL# 1289 -> UP)
1802205	MODULE, ELEC INTERFACE SWITCHING SYS 05 (HULL# 1201 -> 1288)

## HARNESSES

1736002	HARNESSES, 280DA-03 KOHLER GEN GAS & DSL (GENERATOR 5.0 E KOHLER - GAS - 120V/60HZ) (GENERATOR 4.0 EF KOHLER - GAS - 220V/50HZ)
1818615	HARNESSES, 290DA-06 GEN KOHLER ECD GAS 120/220V (HULL# 1357 -> UP) (GEN. 5.0 ECD KOHLER - GAS - 120V/60HZ) (GEN. 4.0 EFCO KOHLER - GAS - 220V/50HZ)
1801712	HARNESSES, 290DA-06 GEN KOHLER GAS 120V (HULL# 1201 -> 1356) (GEN. 5.0 ECD KOHLER - GAS - 120V/60HZ)
1801714	HARNESSES, 290DA-06 GEN KOHLER GAS 220V (HULL# 1201 -> 1356) (GEN. 4.0 EFCO KOHLER - GAS - 220V/50HZ)

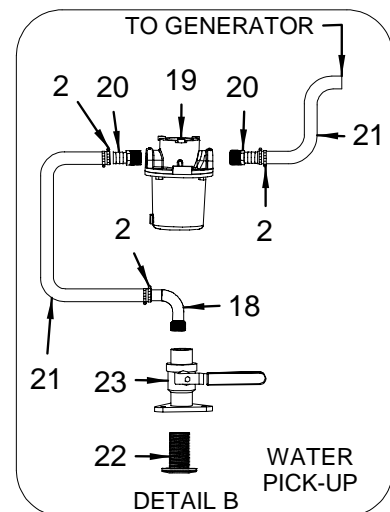
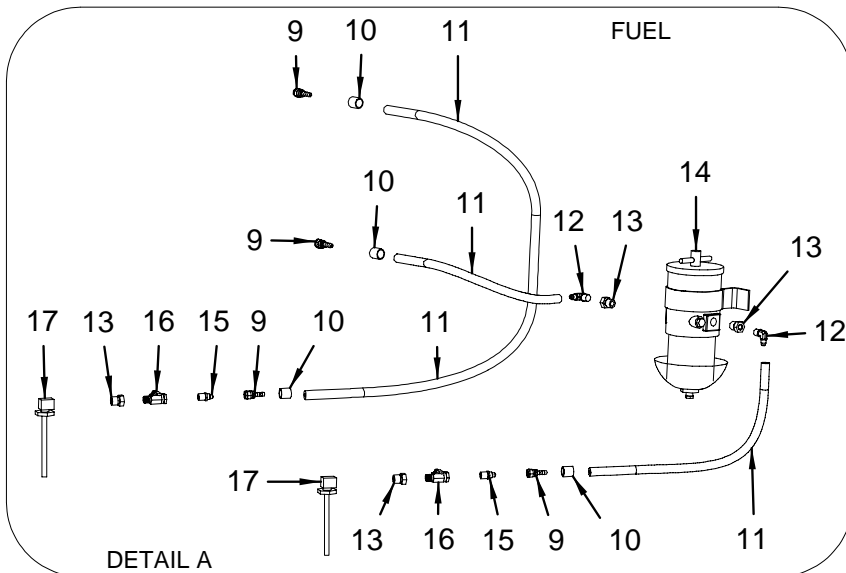
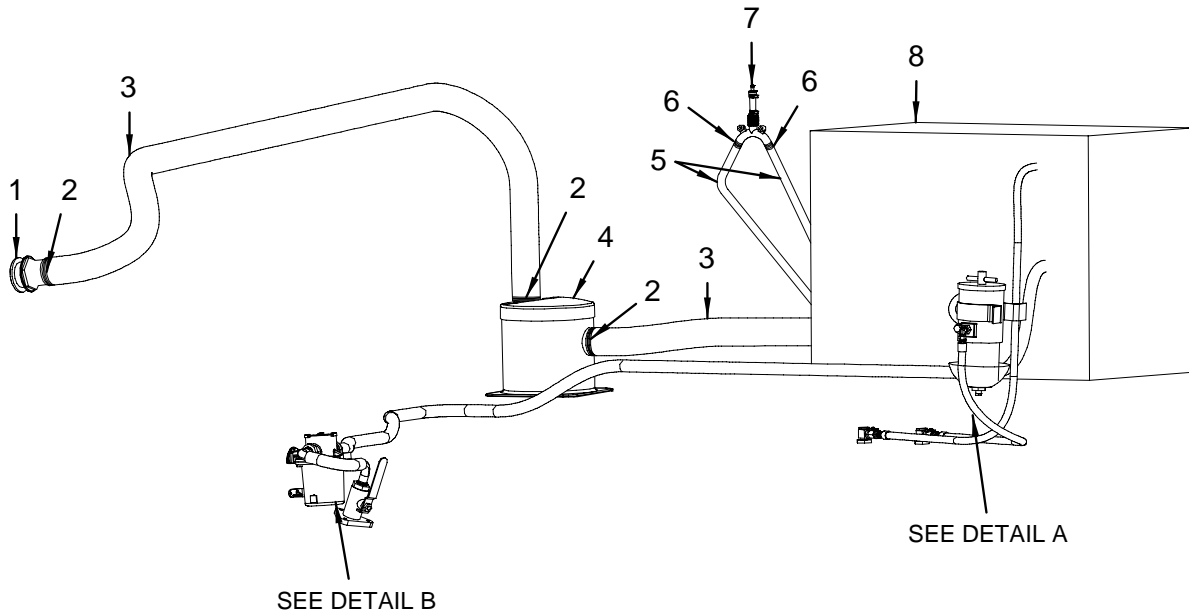
## LABELS

1831528	LABEL, GENERATOR RESET NOTICE (HULL# 1370 -> UP)
---------	---

## NOT SHOWN

1734756	BRKR, CIRC KOHLER GAS GEN 18A/50HZ KIT (GENERATOR 4.0 EF KOHLER - GAS - 220V/50HZ) (GEN. 4.0 EFCO KOHLER - GAS - 220V/50HZ)
1735872	PANEL, 280DA-03 GEN REMOTE GAS KOHLER (GENERATOR 5.0 E KOHLER - GAS - 120V/60HZ) (GENERATOR 4.0 EF KOHLER - GAS - 220V/50HZ)
1804882	CABLE, BATT KIT 290DA-06 GAS GEN
130781	CABLE, BATT RED #2AWG
130799	CABLE, BATT BLK #2AWG
793265	CONN, RING 2GA X 3/8R BATT/CBL COP PLTD CLSD
793281	CONN, RING 2GA X 5/16R .630 BARE ELONG CLSD
261354	CLAMP, LOOM VINYL DIP #38 2 3/8"
570135	NIPPLE, BRASS 1/4"MPT X 1/4"MPT

**GENERATOR SYSTEM (DIESEL)**



**GENERATOR SYSTEM (DIESEL)**

- 1 1769255 THRU-HULL, SS EXHAUST 2" W/SS LIP
- 2 417717 CLAMP, HOSE #36 7/8"-2.75" SS .505
- 3 913053 HOSE, EXHAUST 2" CORR HW
- 4 1784602 MUFFLER, 2"IN X 2"OUT 9"X 9" BASE
- 5 124594 HOSE, WATER 5/8" HVY DTY (HEATER)
- 6 123398 CLAMP, HOSE #06M 5/16"-7/8"SS MINI
- 7 1749612 SYPHON BREAK KIT, GEN EXH ONAN 3/4"
- 8 1727348 GENERATOR, 5.0 KW DSL KOHLER 120V/60  
(GENERATOR 4.0 EOZ KOHLER - DIESEL - 120V/60)  
(GENERATOR 3.5 EFOZ KOHLER -DIESEL - 220V/50)
- 9 629279 FITTING, BRASS 1/4"BARB/NUT
- 10 965954 FERRULE, FUEL LINE 1/4"ISO/CE .650"ID  
(HULL# 1338 -> UP)
- 1477314 FERRULE, FUEL LINE 1/4"ISO/CE  
(HULL# 1201 -> 1337)
- 11 340901 HOSE, FUEL 1/4" TYPE A CLASS 1 ISO/CE  
(HULL# 1338 -> UP)
- 1485481 HOSE, FUEL 1/4" ISO/CE W/PLAS LINER  
(HULL# 1201 -> 1337)
- 12 629253 ELBOW, BRASS 90DEG 1/4"SAE X 1/4"MPT
- 13 791392 BUSHING, SS THD 1/4"FPT X 3/8"MPT
- 14 1524065 FILTER, REMOTE FUEL DSL (500MASR)
- 15 162750 ADAPTER, BRASS 1/4"MPT X 1/4"SAE
- 16 1764348 VALVE, BRASS FUEL 1/4"MPT X 1/4"FPT LO-PRO
- 17 1804423 TUBE, PICK-UP ASSY 290DA-06 12.36"W/3/8"ELB
- 18 169193 ELBOW, BRZ 90DEG 3/4"MPT X 3/4"BARB
- 19 1791584 STRAINER, BRZ WATER INTAKE 3/4" W/NYLON STRAP  
1404854 PLUG, PLASTIC STRAINER DRAIN
- 20 531426 ADAPTER, BRZ 3/4"MPT X 3/4"BARB
- 21 123810 HOSE, GEN PURPOSE 3/4"
- 22 640300 THRU-HULL, BRZ 3/4" W/O NUT
- 23 518431 SEACOCK, BRZ 3/4" W/O TAILPIECE

**ELECTRICAL**

- 1810630 MODULE, ELEC INTERFACE SWITCHING SYS 06  
(HULL# 1289 -> UP)
- 1802205 MODULE, ELEC INTERFACE SWITCHING SYS 05  
(HULL# 1201 -> 1288)

**HARNESSES**

- 1801715 HARNESS, 290DA-06 GEN KOHLER DSL 120V  
(120V)
- 1801716 HARNESS, 290DA-06 GEN KOHLER DSL 220V  
(220V)

**NOT SHOWN**

- 1718687 EXHAUST, EL 2"X 90DEG RBR W/T-BOLT CLAMPS
- 1801707 CABLE, BATT KIT 290DA-06 DSL W/DSL GEN
- 1804881 CABLE, BATT KIT 290DA-06 DSL GEN
- 1808426 BRACE, SPAR 290DA-06 DSL W/A/C/GEN SEACOCK





**AIR CONDITIONING SYSTEM (GAS)**

- 1 957092 A/C COMP, HOSE RING 5" OBLONG
- 2 266528 HOSE, AC/DUCT INSULATED 5"
- 3 1803902 A/C COMP, PLENUM BOX 6L 5T 4R W/6.5X6.5X6.5DV
- 4 639856 HOSE, AC/DUCT INSULATED 4" X 10"
- 5 1803900 A/C COMP, PLENUM BLWR 6T 4O W/6.5X6.5X6.5 DIV
- 6 1759845 A/C COMP, COMPACT 10K SXF10-1 115V 50/60HZ  
(120V)
- 1769422 A/C COMP, COMPACT 10K SMXII 220V 50HZ GG  
(220V)
- 7 1058957 HOSE, WATER A/C WHT 5/8"
- 8 149757 PIPE, PVC SCH 40 BOE PIPE 1.5"
- 9 1792643 SHOWER, SUMP ASSY MULTI-PORT 750GPH 12V W/CON
- 10 124487 THRU-HULL, PLAS 5/8" WHT
- 11 1605443 A/C COMP, CONN 4"HOSE
- 12 958140 A/C COMP, HOSE RING 4" OBLONG
- 13 1778933 THRU-HULL, SS 5/8"BARB SHORT
- 14 263954 CLAMP, HOSE #10 1/2"-1 1/8" SS .505
- 15 1581966 A/C COMP, GRILL 4" RND W/O DA BLK  
(HULL# 1238 -> UP)
- 948281 A/C COMP, GRILL 4" RND W/DMPR CLW  
(HULL# 1201 -> 1237)
- 16 430926 HOSE, AC/DUCT INSULATED 6"FLEX
- 17 256677 CLAMP, HOSE #12 1/2"-1.25" SS .505
- 18 123810 HOSE, GEN PURPOSE 3/4"
- 19 531426 ADAPTER, BRZ 3/4"MPT X 3/4"BARB
- 20 1791584 STRAINER, BRZ WATER INTAKE 3/4" W/NYLON STRAP
- 1404854 PLUG, PLASTIC STRAINER DRAIN
- 21 169193 ELBOW, BRZ 90DEG 3/4"MPT X 3/4"BARB
- 22 518431 SEACOCK, BRZ 3/4" W/O TAILPIECE
- 23 531574 PICK-UP, BRZ WATER INTAKE 3/4"
- 24 948265 A/C COMP, PUMP 500GPH 115V 50/60HZ WTR COOL  
(120V)
- 948349 A/C COMP, PUMP 500GPH 240V 50HZ WTR COOL  
(220V)
- 25 948273 A/C COMP, HOSE FITTINGS FOR PMP500

**ELECTRICAL**

- 1604271 A/C COMP, DISPLAY ECU BLK W/3/4" DOOR
- 1055821 A/C COMP, FACE PLATE FOR CONTROL BLK
- 1604263 A/C COMP, CABLE INTERCONNECT 15'
- 147397 COVER PLATE, CARLON BOX SGL
- 522813 BOX, RECEPTACLE PVC SURFACE MOUNT CARLON
- 1376474 CONN, NYLON 1/2" FLAT CORD GRIP WATERPROOF
- 1478841 CONN, NYLON 1/2" ROUND SKIN TOP WATERPROOF

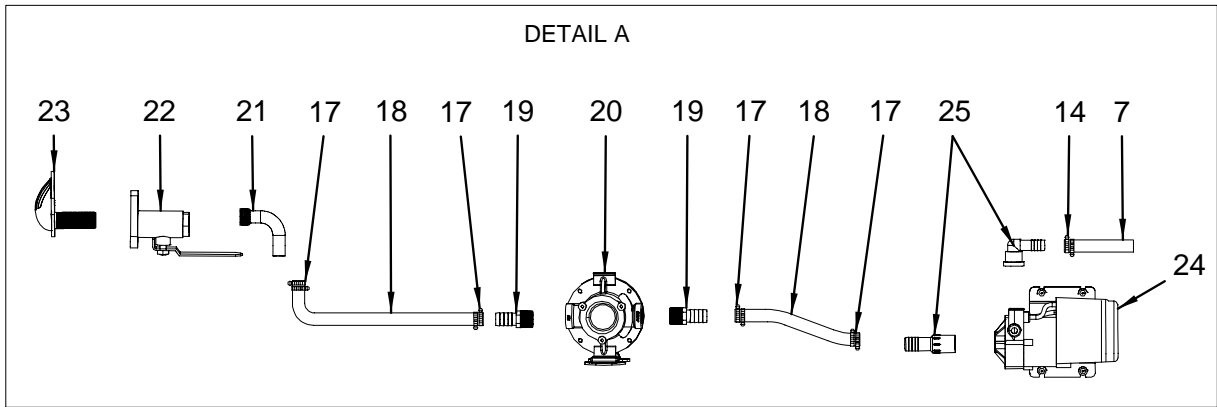
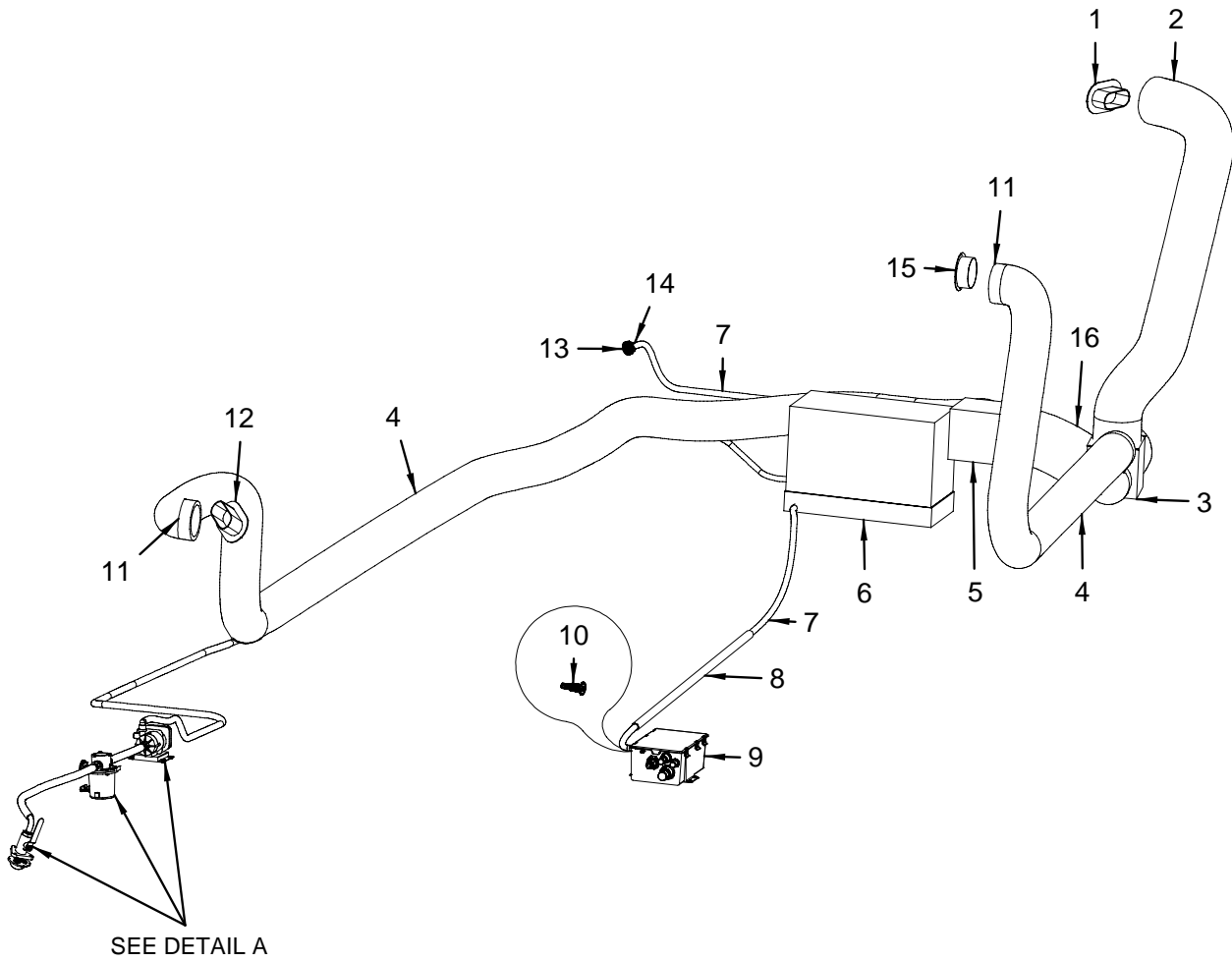
**LABELS**

- 1751884 LABEL, 1/2"X 1.5" A/C CONDENSATE
- 1743616 LABEL, UNPLUG SHORE POWER WARNING

**NOT SHOWN**

- 147496 ELBOW, GENOVA 3/4"MPT X 3/4"BARB X 90DEG
- 1762241 A/C COMP, ELL PLAS 1/2"MPT X 5/8" HOSE
- 674143 THRU-HULL, PLAS 3/4"X 90DEG WHT
- 836007 BRACKET, ALUM 1.5"X 1.5"X 3" 3/16"HOLES
- 859280 A/C COMP, GRILL 6X10 CLW  
(RETURN AIR GRILLE)

AIR CONDITIONING SYSTEM (DIESEL)



**AIR CONDITIONING SYSTEM (DIESEL)**

1	957092	A/C COMP, HOSE RING 5" OBLONG
2	266528	HOSE, AC/DUCT INSULATED 5"
3	1803902	A/C COMP, PLENUM BOX 6L 5T 4R W/6.5X6.5X6.5DV
4	639856	HOSE, AC/DUCT INSULATED 4" X 10"
5	1803900	A/C COMP, PLENUM BLWR 6T 4O W/6.5X6.5X6.5 DIV
6	1759845	A/C COMP, COMPACT 10K SXF10-1 115V 50/60HZ (120V)
	1769422	A/C COMP, COMPACT 10K SMXII 220V 50HZ GG (220V)
7	1058957	HOSE, WATER A/C WHT 5/8"
8	149757	PIPE, PVC SCH 40 BOE PIPE 1.5"
9	1792643	SHOWER, SUMP ASSY MULTI-PORT 750GPH 12V W/CON
10	124487	THRU-HULL, PLAS 5/8" WHT
11	1605443	A/C COMP, CONN 4"HOSE
12	958140	A/C COMP, HOSE RING 4" OBLONG
13	1778933	THRU-HULL, SS 5/8"BARB SHORT
14	263954	CLAMP, HOSE #10 1/2"-1 1/8" SS .505
15	1581966	A/C COMP, GRILL 4" RND W/O DA BLK (HULL# 1238 -> UP)
	948281	A/C COMP, GRILL 4" RND W/DMPR CLW (HULL# 1201 -> 1237)
16	430926	HOSE, AC/DUCT INSULATED 6"FLEX
17	256677	CLAMP, HOSE #12 1/2"-1.25" SS .505
18	123810	HOSE, GEN PURPOSE 3/4"
19	531426	ADAPTER, BRZ 3/4"MPT X 3/4"BARB
20	1791584	STRAINER, BRZ WATER INTAKE 3/4" W/NYLON STRAP
	1404854	PLUG, PLASTIC STRAINER DRAIN
21	169193	ELBOW, BRZ 90DEG 3/4"MPT X 3/4"BARB
22	518431	SEACOCK, BRZ 3/4" W/O TAILPIECE
23	531574	PICK-UP, BRZ WATER INTAKE 3/4"
24	948265	A/C COMP, PUMP 500GPH 115V 50/60HZ WTR COOL (120V)
	948349	A/C COMP, PUMP 500GPH 240V 50HZ WTR COOL (220V)
25	948273	A/C COMP, HOSE FITTINGS FOR PMP500

**ELECTRICAL**

1604271	A/C COMP, DISPLAY ECU BLK W/3/4" DOOR
1055821	A/C COMP, FACE PLATE FOR CONTROL BLK
1604263	A/C COMP, CABLE INTERCONNECT 15'
147397	COVER PLATE, CARLON BOX SGL
522813	BOX, RECEPTACLE PVC SURFACE MOUNT CARLON
1376474	CONN, NYLON 1/2" FLAT CORD GRIP WATERPROOF
1478841	CONN, NYLON 1/2" ROUND SKIN TOP WATERPROOF

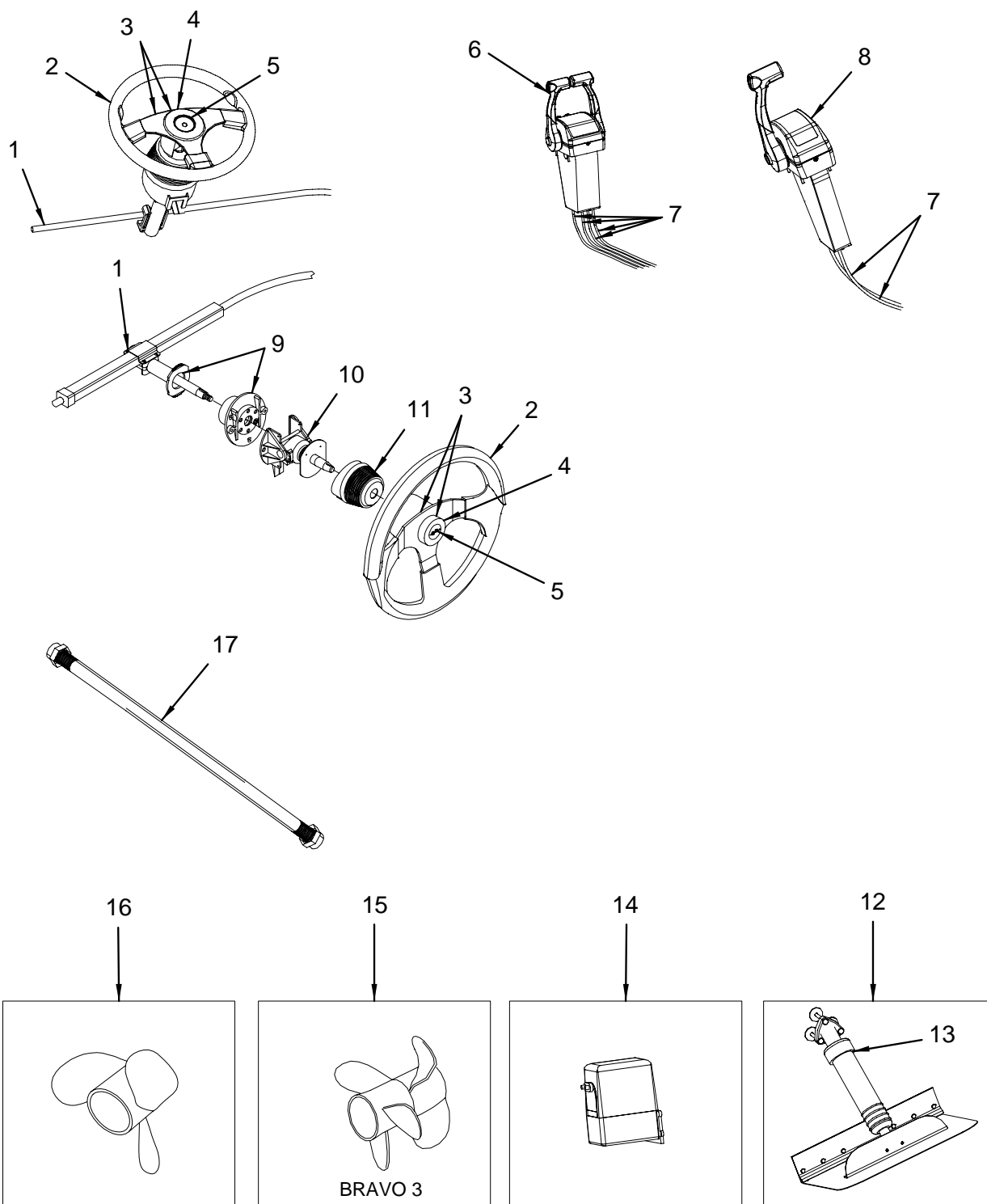
**LABELS**

1751884	LABEL, 1/2"X 1.5" A/C CONDENSATE
1743616	LABEL, UNPLUG SHORE POWER WARNING

**NOT SHOWN**

147496	ELBOW, GENOVA 3/4"MPT X 3/4"BARB X 90DEG
1762241	A/C COMP, ELL PLAS 1/2"MPT X 5/8" HOSE
674143	THRU-HULL, PLAS 3/4"X 90DEG WHT
836007	BRACKET, ALUM 1.5"X 1.5"X 3" 3/16"HOLES
859280	A/C COMP, GRILL 6X10 CLW (RETURN AIR GRILLE)

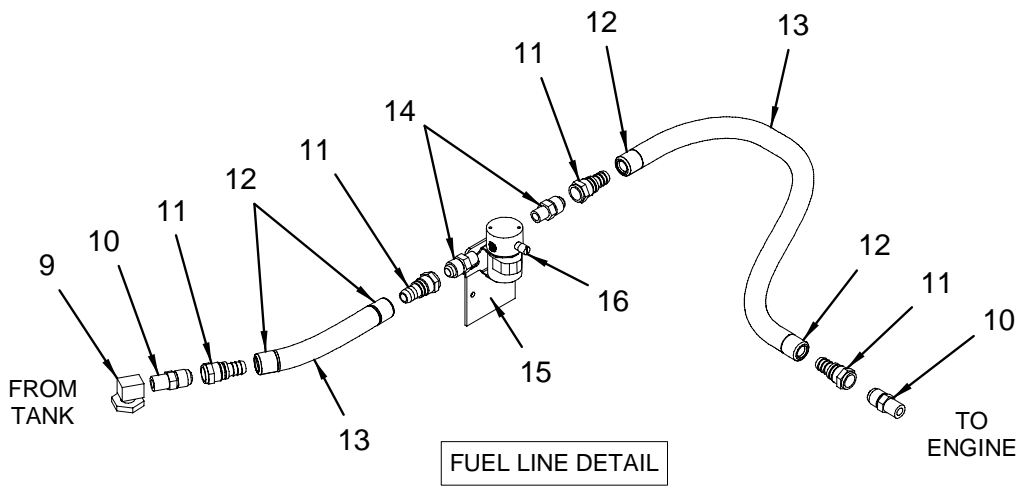
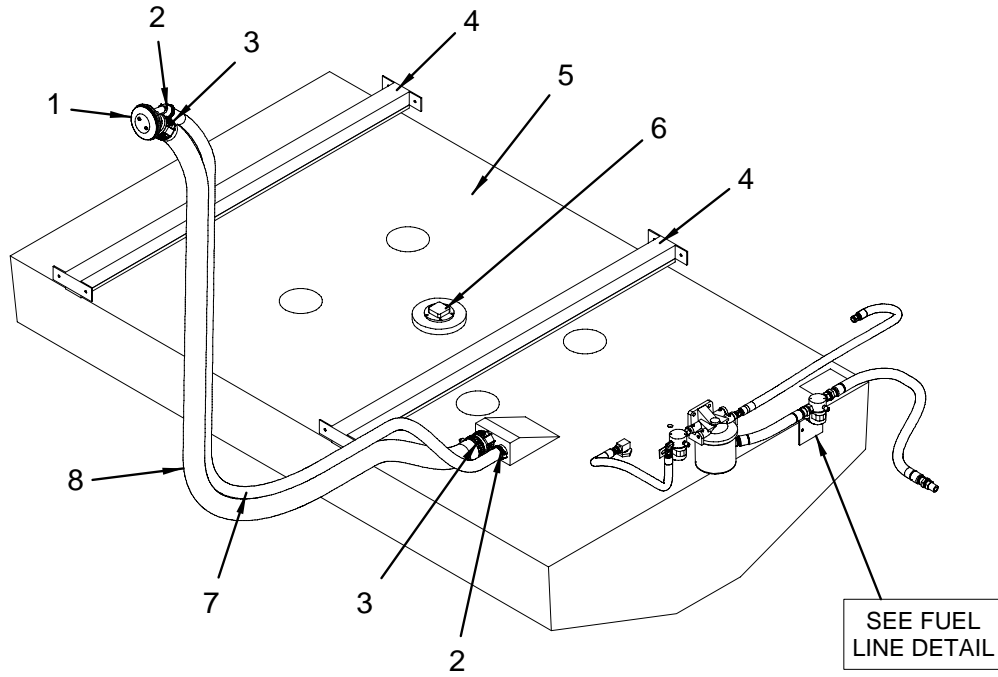
STEERING SYSTEM



## STEERING SYSTEM

- 1 1091941 STEERING, BACK MNT RACK/CABLE 16.5' ASSY  
(TWIN GAS ENGINES)
- 1091859 STEERING, BACK MNT RACK/CABLE 16.0' ASSY  
(HULL# 1223 ONLY - SINGLE GAS ENGINE)
- 2 1810006 STEERING WHEEL, 14.25" SPCRUIS SEARS W/BLK
- 758599 HUB KIT, STEERING WHEEL DINO 332  
(HUB KIT ONLY)
- 1797180 HARNESS, TWN ENG INST/INTELIWHEEL S-CRFT
- 3 1792417 PAD, STEER WHL CTR FOR #1526292  
(PAD AND RING ONLY)
- 4 1835885 STEERING WHEEL, CHR RING FOR 1810006  
(RING ONLY)
- 5 1747682 EMBLEM, S/R EMB SCRIPT WHEEL CHR-BEZEL 1.75"
- 6 1757822 CONTROL, CNSL MNT DUAL 4000 GEN II  
(TWIN GAS ENGINES)
- 1810008 CONTROL, ELEC REMOTE TWN VOLVO EVC  
(SINGLE DIESEL ENGINE)
- 7 1757751 CABLE, CONTROL MERC GEN II STD 16 LAY 17'BULK  
(TWIN GAS ENGINES)
- 1757747 CABLE, CONTROL MERC GEN II STD 16 LAY 15'BULK  
(TWIN GAS ENGINES)
- 1753763 CABLE, CONTROL TELEFLEX 17' GEN II  
(HULL# 1223 ONLY - SINGLE GAS ENGINE)
- 1335900 CABLE, CONTROL TELEFLEX TFXTRME 10'  
(DIESEL ENGINE)
- 8 1757821 CONTROL, CNSL MNT SGL 4000 GEN II  
(HULL# 1223 ONLY - SINGLE GAS ENGINE)
- 9 1092246 STEERING, TILT HELM BACK-MNT
- 10 662510 STEERING, PERFORMANCE TILT MECHANISM  
(GAS ENGINE)
- 1815911 STEERING, HELM PUMP SEA STAR SPRT TILT 2.0 CI  
(DIESEL ENGINE)
- 11 958439 STEERING, BELLOWS TILT STEERING BLK
- 12 1574342 TRIM TAB, ASSY 14X14 SPECIAL W/O PUMP
- 1110071 TRIM TAB, HYD PUMP KIT W/10'HOSE/3"NIPPLE
- 13 133876 TRIM TAB, HYD CYLINDER ONLY
- 14 1110071 TRIM TAB, HYD PUMP KIT W/10'HOSE/3"NIPPLE
- 841825 SHIM, PVC TRIM TAB PUMP BLK
- 15 1360239 PROP, 15.75"X 22" CUP BR3 LH  
(T-4.3L MPI BR 3 ( T-220 PHP ) MCM STERN DR)
- 1360247 PROP, 14.25"X 22" CUP BR3 RH  
(T-4.3L MPI BR 3 ( T-220 PHP ) MCM STERN DR)
- 1427095 PROP, 15.5"X 24" CUP BR3 LH  
(T-5.0L MPI BR 3 ( T-260 PHP ) MCM STERN DR)
- 1427103 PROP, 14.25"X 24" CUP BR3 RH  
(T-5.0L MPI BR 3 ( T-260 PHP ) MCM STERN DR)
- 1574995 PROP, 16"X 20" SS BR3 LHC  
(HULL# 1223 ONLY)  
(496 MAG BR 3 ( 375 PHP ) MCM STERN DRIVE)
- 1575018 PROP, 14 3/8"X 20" SS BR3 RHC  
(HULL# 1223 ONLY)  
(496 MAG BR 3 ( 375 PHP ) MCM STERN DRIVE)
- 708172 PROP, 15.75"X 22" SS BR3 LH  
(T-4.3L MPI BR 3 ( T-220 PHP ) MCM STERN DR WITH COLORED  
HULL OR BOTTOM PAINT)
- 708180 PROP, 14.25"X 22" SS BR3 RH  
(T-4.3L MPI BR 3 ( T-220 PHP ) MCM STERN DR WITH COLORED  
HULL OR BOTTOM PAINT)
- 16 1096833 PROP, 14.5"X 17" VENGEANCE LH  
(T-5.0L MPI BR 1 ( T-260 PHP ) MCM STERN DR)
- 654319 PROP, 14.5"X 17" VENGEANCE RH  
(T-5.0L MPI BR 1 ( T-260 PHP ) MCM STERN DR)
- 1804370 PROP, DUAL VOLVO BRZ (G-5)  
(D6-310DPH (298 PHP) VOLVO DIESEL STERN DR)
- 17 142083 TIE BAR, MERC V-8 TYPE 30"-46"

FUEL SYSTEM (GAS)



**FUEL SYSTEM (GAS)**

- 1 1109354 DECK PLATE, GAS CHR W/VENT 45DG NCK RED CODE
- 522599 KEY, DECK PLATE CAP
- 1098615 DECK PLATE, GAS CHR W/VENT (SHIM ONLY)
- 1213867 DECK PLATE, CAP W/CHAIN GAS (FOR #1109354)
- 2 263954 CLAMP, HOSE #10 1/2"-1 1/8" SS .505
- 3 256693 CLAMP, HOSE #24 1"-2" SS .505
- 4 1797624 BRACKET, ALUM FUEL TANK 43 1/8" 290DA-06
- 5 1795152 TANK, FUEL 290DA-06 125GAL PLAS W/SS SENDER
- 1497452 TAPE, FOAM NEOPRENE W/3M 9828 3/8"TH X 2"W
- 1766404 BRACKET, ALUM 2"X 2"X 1/4"X 7.5"W/1/4"HOLES 6
- 6 1798198 SENDING UNIT, WEMA 13" SS W/SCRWS&GSKT W/CONN
- 1846978 SENDING UNIT, FUEL SENDER ULTSONC GAS 13.5"  
(SERVICE REPLACEMENT ONLY)
- 1849589 HARNESS, FUEL SENDING UNIT ULTSONC 15'  
(SERVICE REPLACEMENT ONLY)
- 7 123778 HOSE, FUEL 5/8" TYPE A CLASS 1 ISO/CE  
(HULL# 1338 -> UP)
- 947499 HOSE, FUEL 5/8" ISO/CE  
(HULL# 1201 -> 1337)
- 8 123745 HOSE, FUEL 1.5" TYPE A CLASS 2
- 9 1804423 TUBE, PICK-UP ASSY 290DA-06 12.36"W/3/8"ELB
- 10 169623 ADAPTER, BRASS 3/8"MPT X 1/2"SAE
- 11 170605 FITTING, BRASS 1/2"BARB/NUT
- 12 170621 FERRULE, FUEL LINE 1/2"ISO/CE .925"ID  
(HULL# 1338 -> UP)
- 1479294 FERRULE, FUEL LINE 1/2"ISO/CE  
(HULL# 1201 -> 1337)
- 13 123786 HOSE, FUEL 1/2" TYPE A CLASS 1 ISO/CE  
(HULL# 1338 -> UP)
- 1497494 HOSE, FUEL 1/2" ISO/CE W/PLAS LINER  
(HULL# 1201 -> 1337)
- 14 169920 ADAPTER, BRASS 1/4"MPT X 1/2"SAE
- 15 1791654 BRACKET, ALUM 1/8"X 3"X 4" FUEL VALVE MNT  
(HULL# 1201 -> 1269)
- 16 1791155 VALVE, BRASS FUEL SHUT-OFF 12V SER7000 10W

**LABELS**

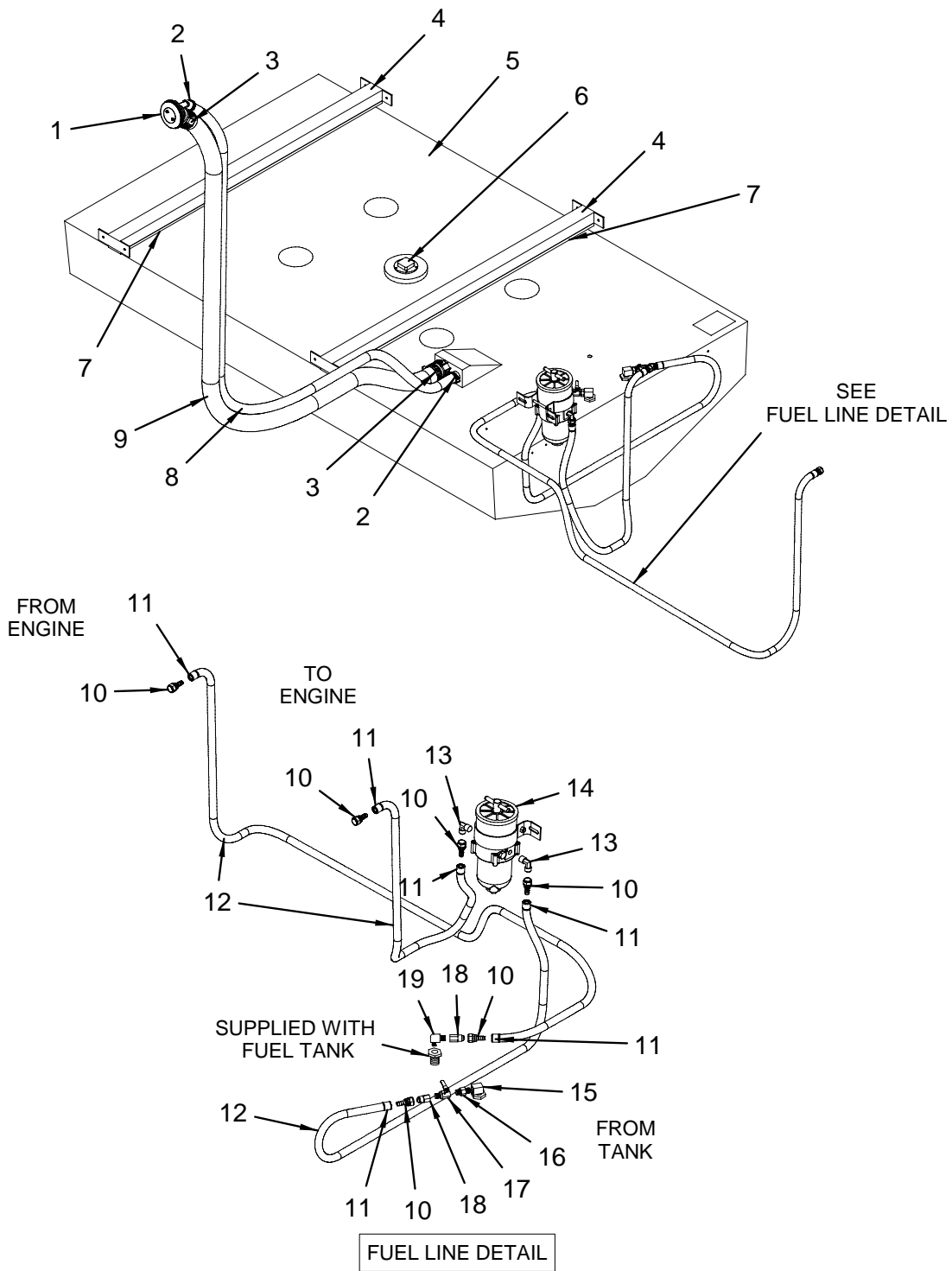
- 1745157 LABEL, FUEL RECOMMENDATION
- 1745513 LABEL, WARNING LEAKING FUEL

**NOT SHOWN**

- 123695 CLAMP, LOOM VINYL DIP #12 3/4"
- 169748 ELBOW, BRASS 90DEG 1/2"SAE X 3/8"MPT
- 468934 TAPE, VAC PAK WHT (4"X 36YDS) PRESERVATION



FUEL SYSTEM (DIESEL)



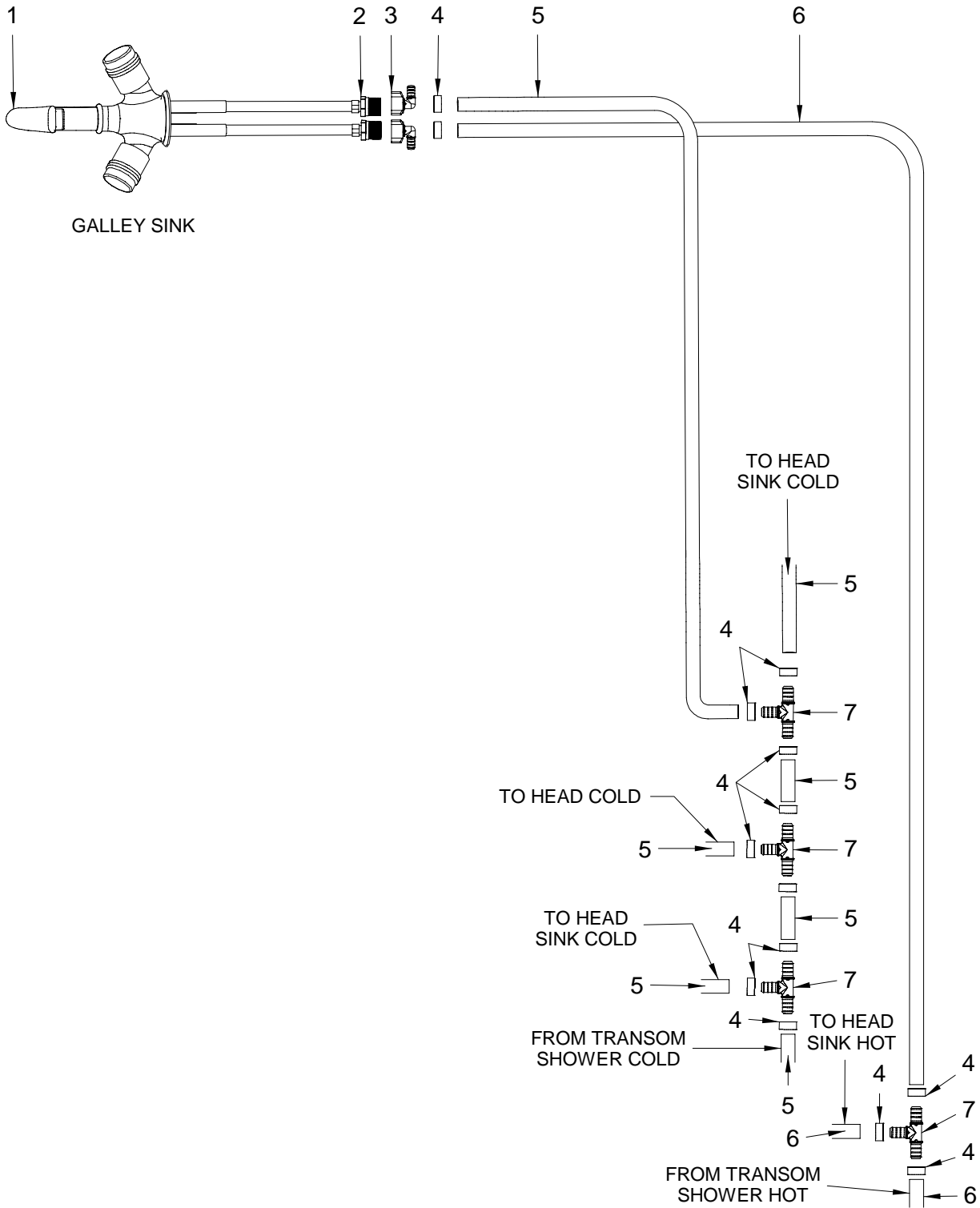
**FUEL SYSTEM (DIESEL)**

- 1 1194505 DECK PLATE, DSL CHR W/VENT 45DG NCK GRN CODE  
(CAP ONLY NOT SOLD SEPARATELY AT THIS TIME)
- 1098615 DECK PLATE, GAS CHR W/VENT (SHIM ONLY)
- 522599 KEY, DECK PLATE CAP
- 2 263954 CLAMP, HOSE #10 1/2"-1 1/8" SS .505
- 3 256693 CLAMP, HOSE #24 1"-2" SS .505
- 4 1797624 BRACKET, ALUM FUEL TANK 43 1/8" 290DA-06
- 5 1819225 TANK, FUEL 290DA-06 125GAL DSL PLAS W/SS SNDR
- 1766404 BRACKET, ALUM 2"X 2"X 1/4"X 7.5"W/1/4"HOLES 6
- 6 1798198 SENDING UNIT, WEMA 13" SS W/SCRWS&GSKT W/CONN
- 1846979 SENDING UNIT, FUEL SENDER ULTSONC DSL 13.5"  
(SERVICE REPLACEMENT ONLY)
- 1849589 HARNESS, FUEL SNDNG UNIT ULTSONC 15'  
(SERVICE REPLACEMENT ONLY)
- 7 1497452 TAPE, FOAM NEOPRENE W/3M 9828 3/8"TH X 2"W
- 8 123778 HOSE, FUEL 5/8" TYPE A CLASS 1 ISO/CE  
(HULL# 1338 -> UP)
- 947499 HOSE, FUEL 5/8" ISO/CE  
(HULL# 1201 -> 1337)
- 9 123745 HOSE, FUEL 1.5" TYPE A CLASS 2
- 10 170605 FITTING, BRASS 1/2"BARB/NUT
- 11 170621 FERRULE, FUEL LINE 1/2"ISO/CE .925"ID  
(HULL# 1338 -> UP)
- 1479294 FERRULE, FUEL LINE 1/2"ISO/CE  
(HULL# 1201 -> 1337)
- 12 123786 HOSE, FUEL 1/2" TYPE A CLASS 1 ISO/CE  
(HULL# 1338 -> UP)
- 1497494 HOSE, FUEL 1/2" ISO/CE W/PLAS LINER  
(HULL# 1201 -> 1337)
- 13 169748 ELBOW, BRASS 90DEG 1/2"SAE X 3/8"MPT
- 14 1524065 FILTER, REMOTE FUEL DSL (500MASR)
- 15 1804423 TUBE, PICK-UP ASSY 290DA-06 12.36"W/3/8"ELB
- 16 1806759 VALVE, BRASS 1/2"MPT X 1/2"MPT CHECK
- 17 1687213 VALVE, BRASS FUEL 1/2"MPT X 1/2"FPT
- 18 1816146 ADAPTER, BRASS 1/2"FPT X 1/2"MSAE
- 19 1376037 ELBOW, BRASS 90DEG 1/2"MPT X 1/2"MPT

**NOT SHOWN**

- 169821 ADAPTER, BRASS 1/2"MPT X 1/2"SAE
- 288407 ADAPTER, BRASS 1/2"FPT X 3/8"MPT

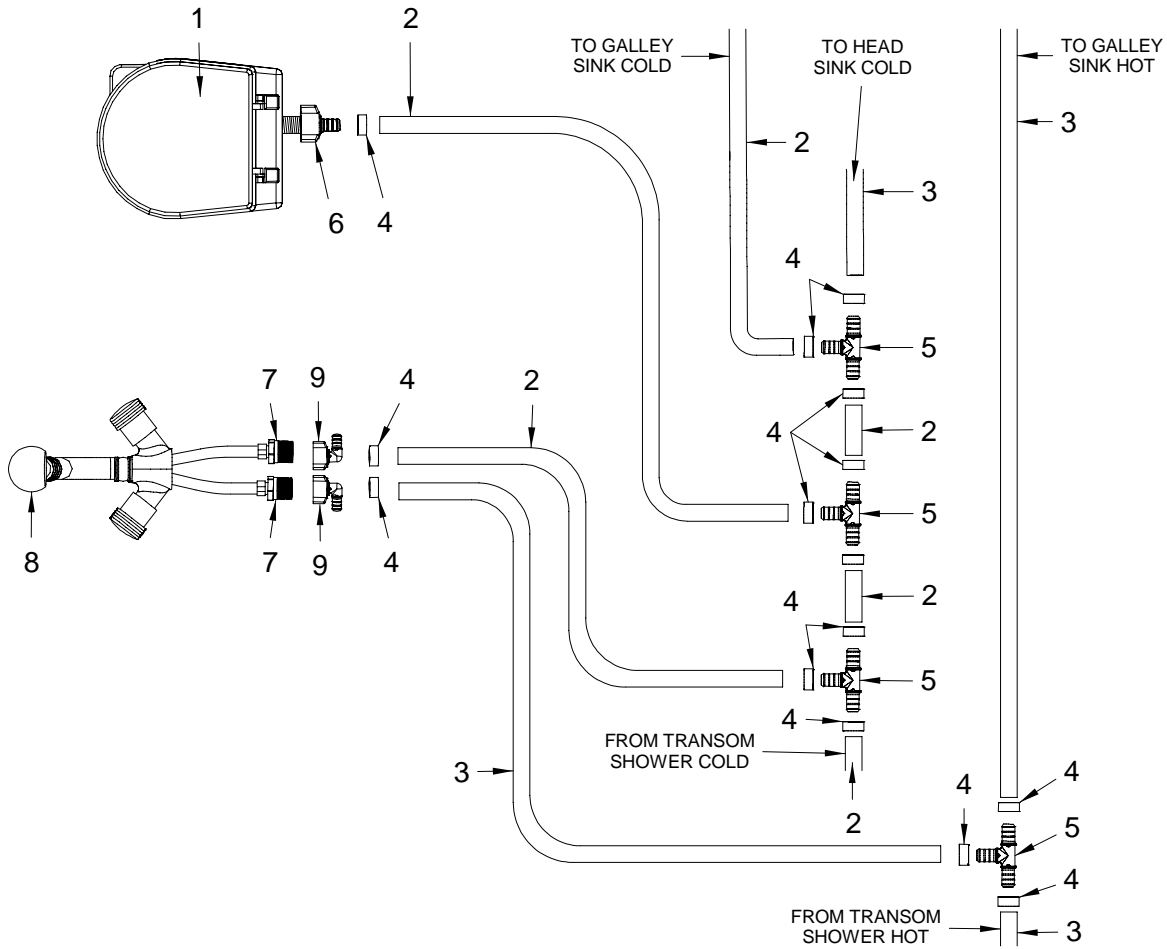
WATER SYSTEM (GALLEY)



**WATER SYSTEM (GALLEY)**

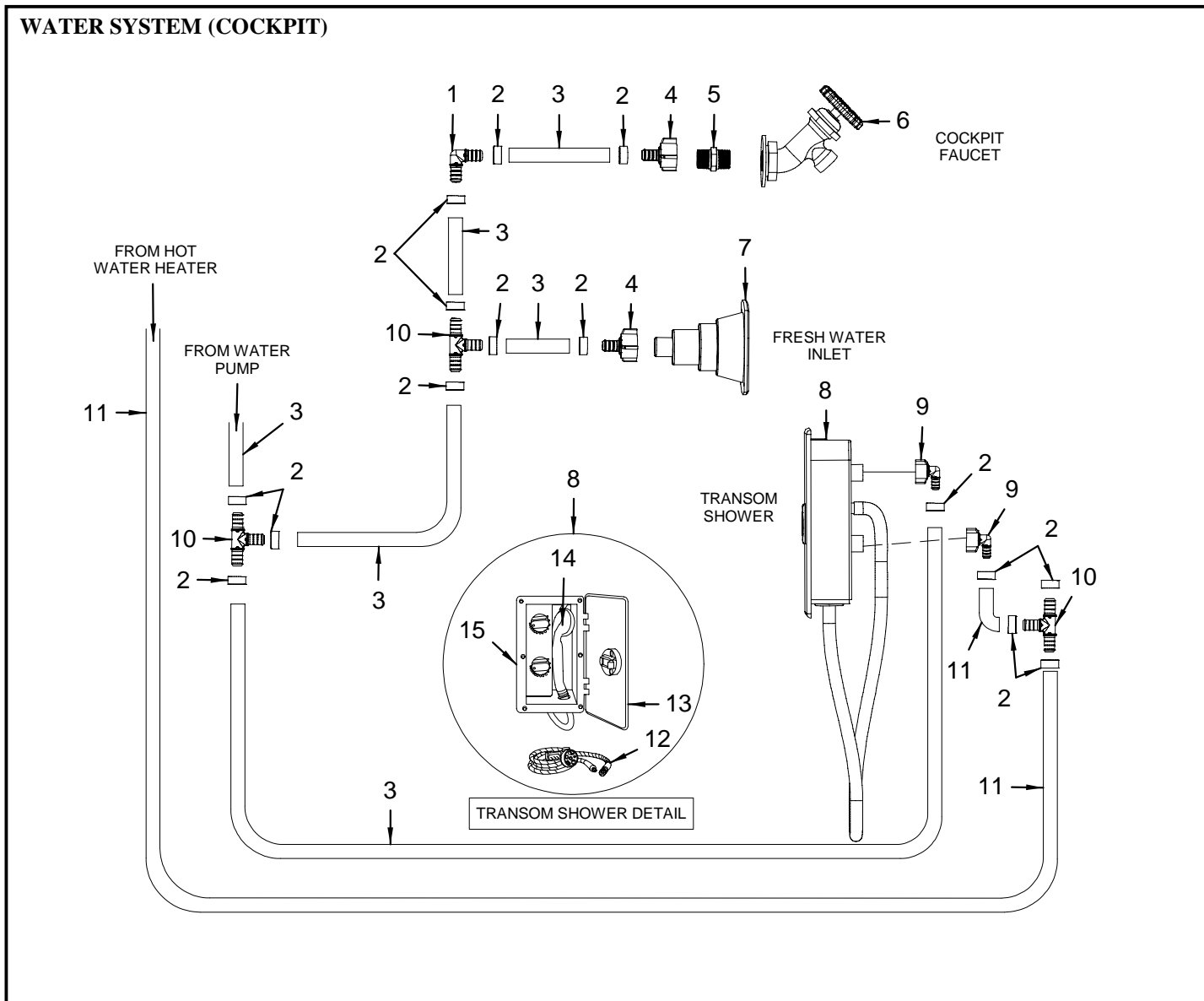
- 1 1772522 FAUCET, GLY 7"RISE BRUSHED NCKL/CHR
- 2 1227032 ADAPTER, SEATECH BRS 1/2"NPT X 3/8"COMP FAUCT  
(SUPPLIED WITH FAUCET)
- 3 1789686 ADAPTER, ZURN STRAIGHT 1/2" SWIVEL
- 4 1789718 CLAMP, CRIMP RING ZURN 1/2"
- 5 1789735 TUBING, ZURN 1/2"X 1000' BLUE
- 6 1789751 TUBING, ZURN 1/2"X 1000' RED
- 7 1789706 TEE, ZURN 1/2" BARB

**WATER SYSTEM (STARBOARD HEAD)**



**WATER SYSTEM (STARBOARD HEAD)**

- 1 1745171 HEAD, VACU-FLUSH BONE 147 (ECOVAC) LO-PRO LFT
- 2 1789735 TUBING, ZURN 1/2"X 1000' BLUE
- 3 1789751 TUBING, ZURN 1/2"X 1000' RED
- 4 1789718 CLAMP, CRIMP RING ZURN 1/2"
- 5 1789706 TEE, ZURN 1/2" BARB
- 6 1789686 ADAPTER, ZURN STRAIGHT 1/2" SWIVEL
- 7 1227032 ADAPTER, SEATECH BRS 1/2"NPT X 3/8"COMP FAUCT (SUPPLIED WITH FAUCET)
- 8 1772520 FAUCET/SHOWER, BRUSHED NCKL/CHR PULLOUT
- 1853913 FAUCET/SHOWER, SPRAYER ONLY BRSHD NCKL/CHR
- 1853914 FAUCET/SHOWER, HOSE WASHER ONLY
- 1853915 FAUCET/SHOWER, HANGER ONLY
- 1853916 FAUCET/SHOWER, BRASS HOT/COLD VALVE ONLY
- 1853917 FAUCET/SHOWER, HDWR KIT W/WTS
- 9 1789708 ELBOW, ZURN 1/2" SWIVEL



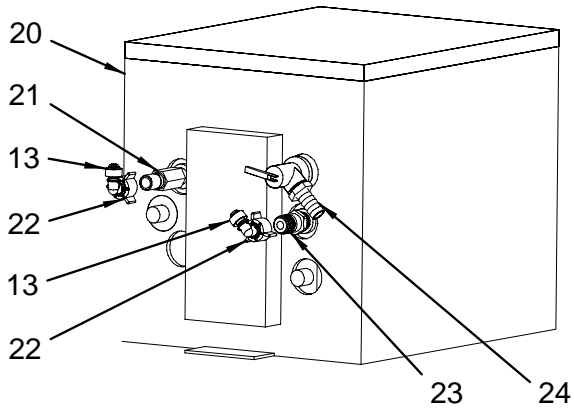
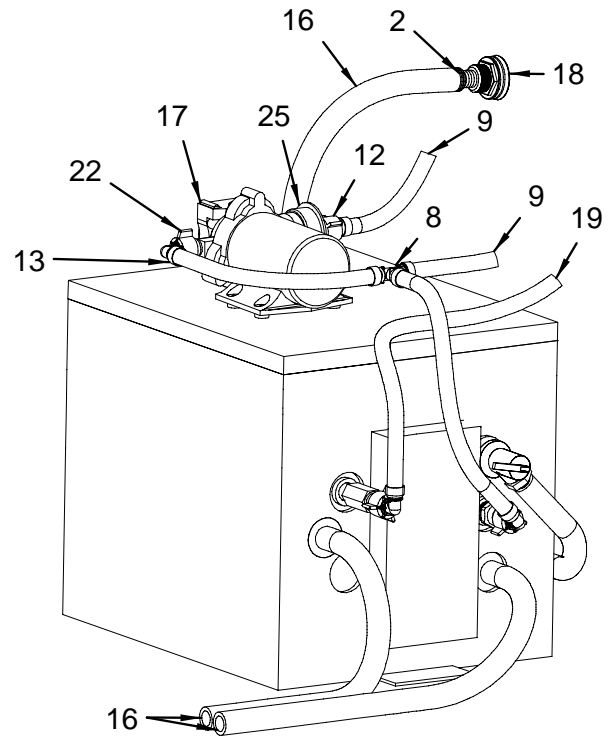
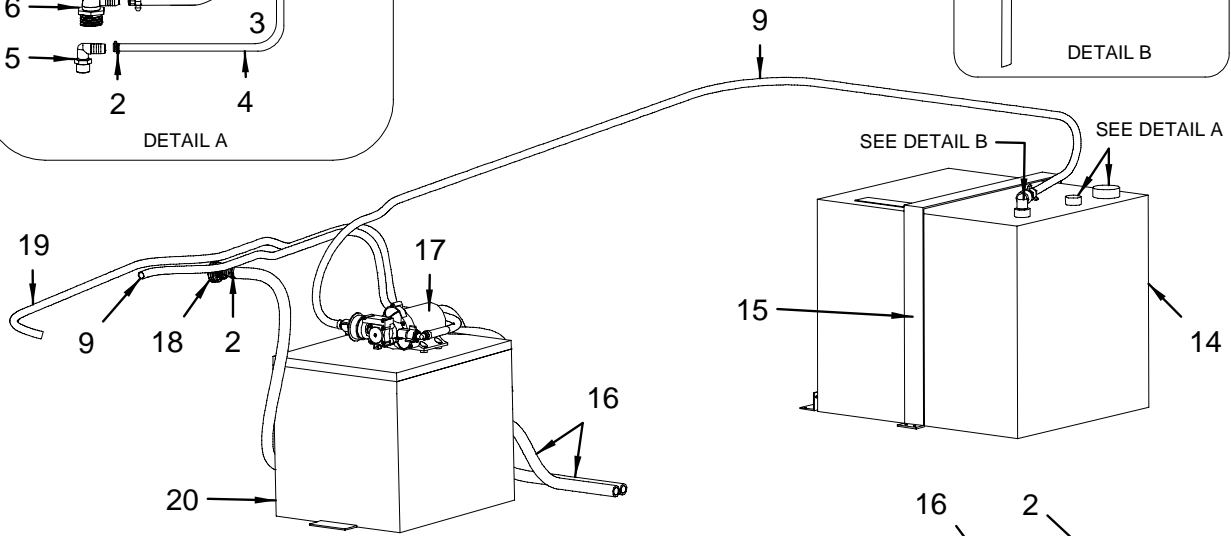
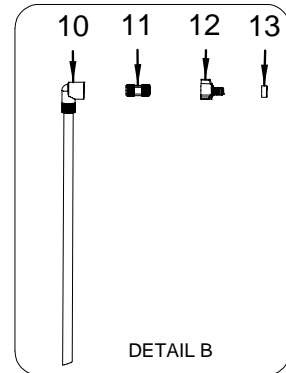
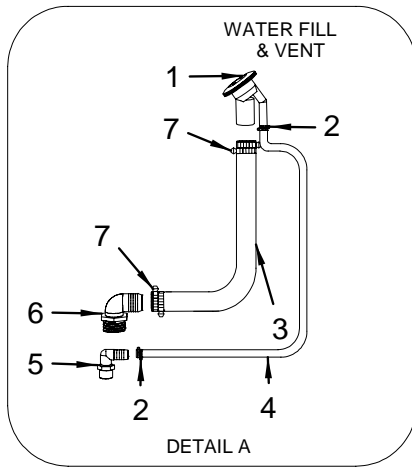
**WATER SYSTEM (COCKPIT)**

- 1 1789703 ELBOW, ZURN 1/2" BARB
- 2 1789718 CLAMP, CRIMP RING ZURN 1/2"
- 3 1789735 TUBING, ZURN 1/2"X 1000' BLUE
- 4 1789686 ADAPTER, ZURN STRAIGHT 1/2" SWIVEL
- 5 1791378 NIPPLE, ZURN 1/2" BRASS HEX
- 6 1096262 FAUCET, SILLCOCK WASHDOWN (WHITECAP)
- 7 141168 INLET, WATER W/PRESS REGULATOR WHT
- 8 736702 FAUCET, WASHDOWN BOX W/MIXER (AQUATIK) VERT
- 1298710 FAUCET, CARTRIDGE CERAMIC 90DEG LH
- 1302504 FAUCET, CARTRIDGE CERAMIC 90DEG RH
- 9 1789708 ELBOW, ZURN 1/2" SWIVEL
- 10 1789706 TEE, ZURN 1/2" BARB
- 11 1789751 TUBING, ZURN 1/2"X 1000' RED
- 12 1302595 FAUCET, WASHDOWN HOSE W/FPT ONLY(AQUATIK)
- 13 1302587 FAUCET, WASHDOWN DOOR ONLY (AQUATIK)
- 1742646 LATCH, WASHDOWN DOOR (AQUATIK)
- 14 1302603 FAUCET, WASHDOWN SPRAYER HEAD ONLY(AQUATIK)
- 15 1302579 FAUCET, WASHDOWN SHOWER UNIT ONLY (AQUATIK)

**LABELS**

- 1743534 LABEL, FRESH WATER (LEXAN)

WATER SYSTEM (BILGE)



**WATER SYSTEM (BILGE)**

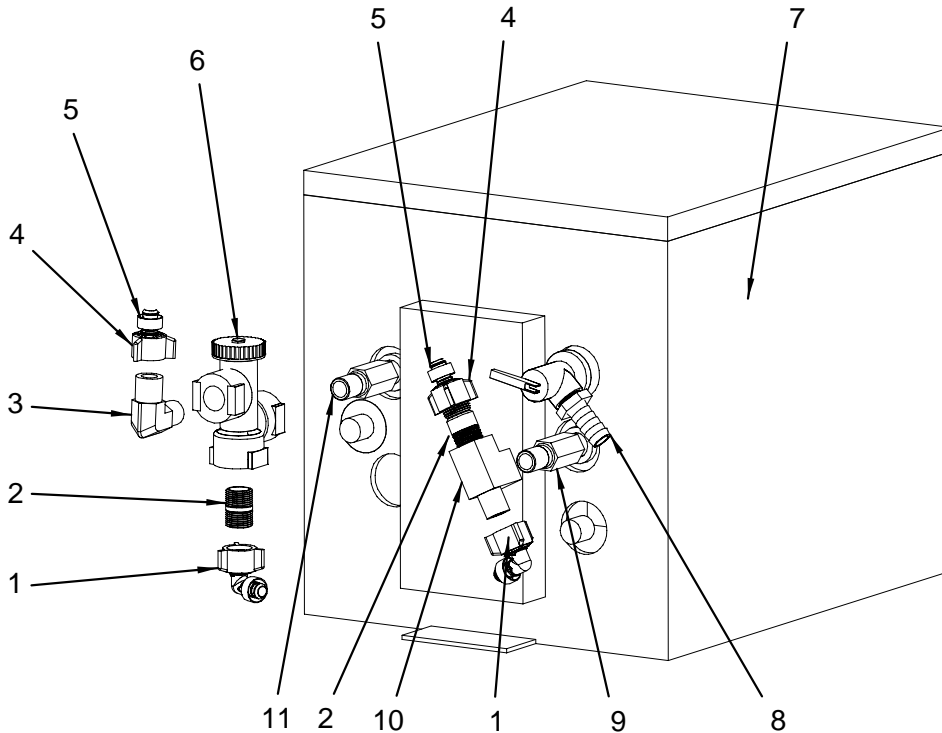
- 1 1109362 DECK PLATE, WATER CHR WVNT 45DG NCK BLUE
- 1068592 KEY, DECK PLATE CAP
- 1405844 DECK PLATE, CAP W/CHAIN WATER
- 2 256677 CLAMP, HOSE #12 1/2"-1.25" SS .505
- 3 490219 HOSE, CORR SAN/WATER-FILL 1.5" RH
- 4 124719 HOSE, SANI/CHEMICAL TDX 5/8"
- 5 167874 ELBOW, GENOVA 1/2"MPT X 1/2"BARB X 90DEG
- 6 814830 ELBOW, PVC 1.5"MPT X 1.5"BARB X 90DEG MACHINE  
(HULL# 1297 -> UP)
- 130344 ELBOW, PVC 1.5"MPT X 1.5"BARB X 90DEG  
(HULL# 1201 -> 1296)
- 7 256693 CLAMP, HOSE #24 1"-2" SS .505
- 8 1789706 TEE, ZURN 1/2" BARB
- 9 1789735 TUBING, ZURN 1/2"X 1000' BLUE
- 10 964387 TUBE, PICK-UP WATER 17" 1/2"DIA SCH 40 WHT
- 11 1789748 NIPPLE, ZURN 1/2" CLOSE GRY
- 12 1789686 ADAPTER, ZURN STRAIGHT 1/2" SWIVEL
- 13 1789718 CLAMP, CRIMP RING ZURN 1/2"
- 14 959809 TANK, WATER - 28GAL W/PICKUP TUBE
- 15 1690502 STRAP, WATER TANK 280DA-02
- 1497460 TAPE, FOAM NEOPRENE W/3M 9828 1/4"TH X 2"W
- 16 124594 HOSE, WATER 5/8" HVY DTY (HEATER)
- 17 1771071 PUMP, FRESH WTR SHURFLO 2.8GPM SFT MNT W/CONN
- 18 1778933 THRU-HULL, SS 5/8"BARB SHORT
- 19 1789751 TUBING, ZURN 1/2"X 1000' RED
- 20 1142496 HEATER, WATER 6 GAL 110/60 W/75-210T&P
- 1156728 HEATER, WATER 6 GAL 220/50 W/75-210T&P  
(220V)
- 1146877 VALVE, TEMPERING 75PSI/210DEG  
(120V)
- 1790450 ELEMENT, HEATER WTR 110/60 W/75-210  
(120V OR 220V)
- 1754598 HEATER, WATER ELEMENT FOR 6 GAL 220V  
(220V)
- 21 1791673 VALVE, ZURN 1/2" MPT X 1/2" MPT CHECKVALVE
- 22 1789708 ELBOW, ZURN 1/2" SWIVEL
- 23 168898 NIPPLE, BRASS 1/2"MPT X 3.5"
- 24 144675 ADAPTER, BRASS 1/2"MPT X 5/8"BARB
- 25 1797944 FILTER, IN-LINE WATER 1/2"MPSM X 1/2"NPSF

**NOT SHOWN**

- 123604 CLAMP, LOOM VINYL DIP 2.5"



**WATER HEATER (CLOSED COOLING SYSTEM)**



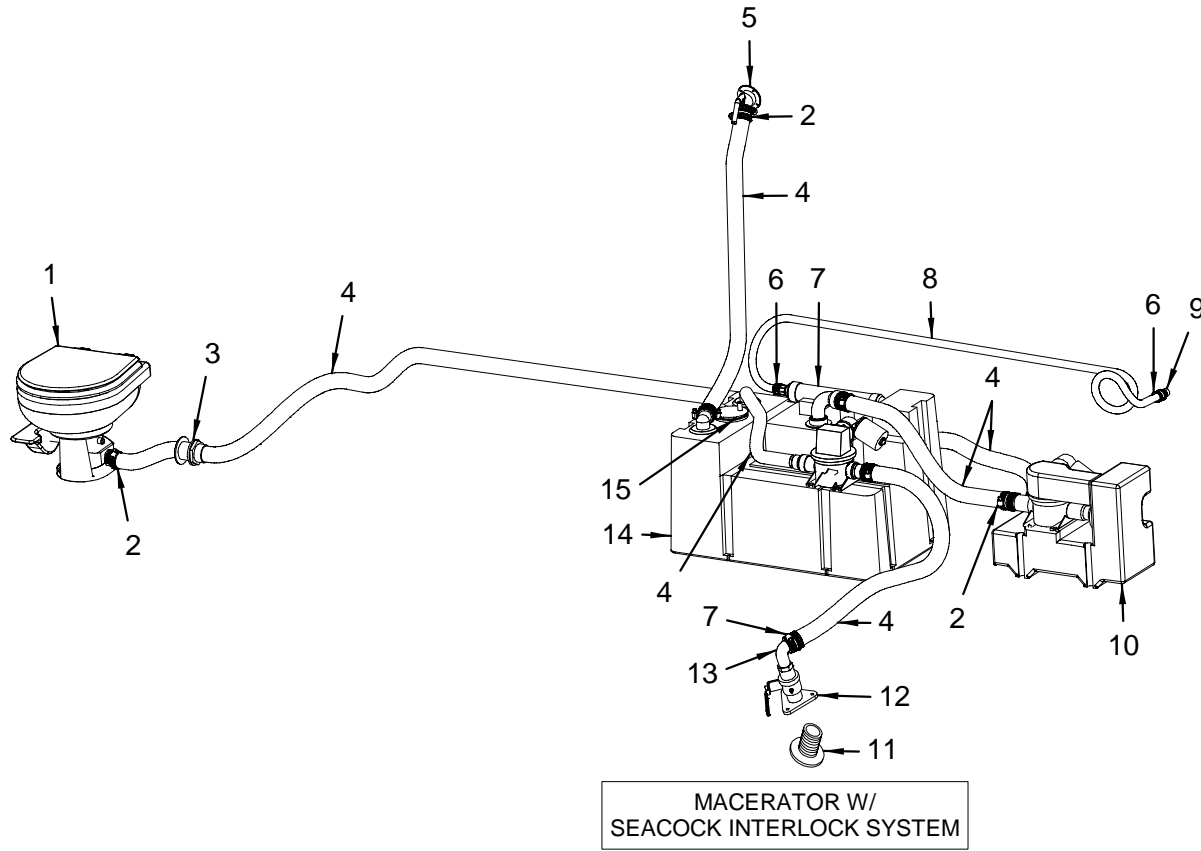
**WATER HEATER (CLOSED COOLING SYSTEM)**

- 1 1789708 ELBOW, ZURN 1/2" SWIVEL
- 2 1791378 NIPPLE, ZURN 1/2" BRASS HEX
- 3 1376037 ELBOW, BRASS 90DEG 1/2"MPT X 1/2"MPT  
(FRESHWATER COOLING-TWIN STERN DRIVES-GAS)  
(DIESEL ENGINE)
- 4 1789686 ADAPTER, ZURN STRAIGHT 1/2" SWIVEL
- 5 1789718 CLAMP, CRIMP RING ZURN 1/2"
- 6 1054766 VALVE, BRASS WATER HEATER TEMPERING 120-160DG  
(FRESHWATER COOLING-TWIN STERN DRIVES-GAS)  
(DIESEL ENGINE)
- 7 1142496 HEATER, WATER 6 GAL 110/60 W/75-210T&P
- 1156728 HEATER, WATER 6 GAL 220/50 W/75-210T&P  
(220V)
- 1146877 VALVE, TEMPERING 75PSI/210DEG  
(120V)
- 1790450 ELEMENT, HEATER WTR 110/60 W/75-210  
(120V OR 220V)
- 1754598 HEATER, WATER ELEMENT FOR 6 GAL 220V  
(220V)
- 8 144675 ADAPTER, BRASS 1/2"MPT X 5/8" BARB
- 9 168898 NIPPLE, BRASS 1/2"MPT X 3.5"
- 10 325944 TEE, BRASS STREET 1/2"MPT X 1/2"FPT X 1/2"FPT  
(FRESHWATER COOLING-TWIN STERN DRIVES-GAS)  
(DIESEL ENGINE)
- 11 1791673 VALVE, ZURN 1/2" MPT X 1/2" MPT CHECKVALVE

**FRESH WATER COOLING**

- 124206 HOSE, WATER INTAKE 1.25" HW
- 158063 STRAINER, BRZ WATER INTAKE 1.25"
- 144691 ELBOW, BRZ 90DEG 1.25"MPT X 1.25" BARB (PERKO)
- 586917 ELBOW, BRZ 45DEG 1.25"MPT X 1.25" BARB
- 518449 SEACOCK, BRZ 1.25" W/O TAILPIECE
- 531590 PICK-UP, BRZ WATER INTAKE 1.25"

**SEWAGE SYSTEM**



MACERATOR W/  
SEACOCK INTERLOCK SYSTEM

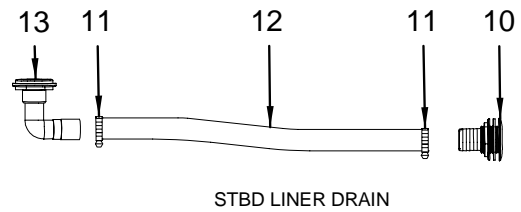
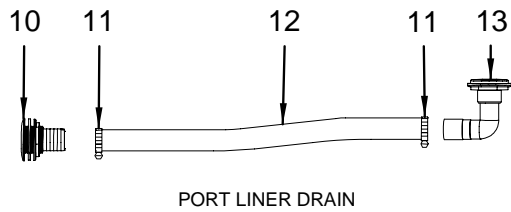
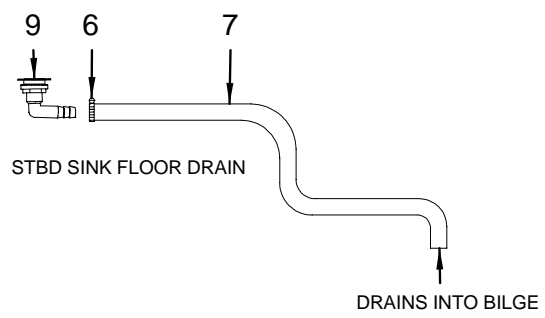
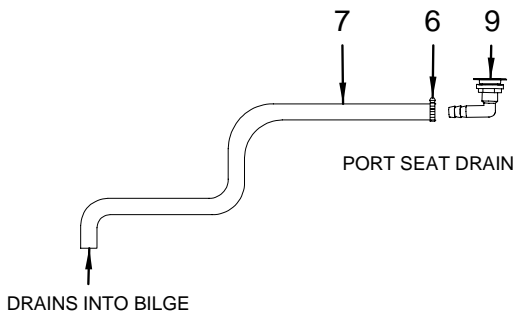
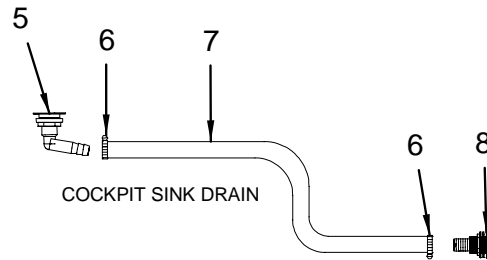
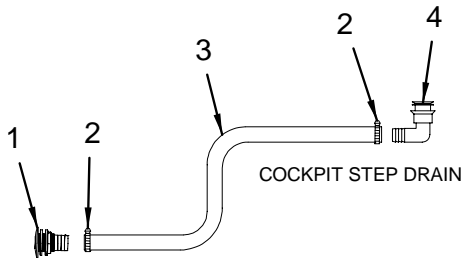
**SEWAGE SYSTEM**

**NOT SHOWN**

- 1 1745171 HEAD, VACU-FLUSH BONE 147 (ECOVAC) LO-PRO LFT
- 1784547 SEAT ASSY, CVR/SEAT/HNG PIN BONE
- 2 256693 CLAMP, HOSE #24 1"-2" SS .505
- 3 326009 THRU-HULL, PLAS 2" WHT (FULL THREAD)
- 4 846899 HOSE, SANI 1.5" PREMIUM RBR BLK
- 5 1796538 DECK PLATE, WASTE CHR W/CAPD VNT 45DG NCK BLK
- 1474790 DECK PLATE, CAP W/GASKET
- 1068592 KEY, DECK PLATE CAP
- 1098615 DECK PLATE, GAS CHR W/VENT (SHIM ONLY)
- 6 263954 CLAMP, HOSE #10 1/2"-1 1/8" SS .505
- 7 1788791 FILTER, HEAD TREATMENT SYSTEM DOMETIC  
(PART OF 1304856)
- 8 124719 HOSE, SANI/CHEMICAL TDX 5/8"
- 9 1433176 VENT, FUEL/WATER SS 5/8" 90DEG FLSH MNT
- 10 1798723 VACUUM GEN, HEAD SYS PMP/ACUM LOPRO 12V W/CON
- 11 579870 THRU-HULL, BRZ 1.5" W/O NUT  
(MACERATOR W/ SEACOCK INTERLOCK SYSTEM)
- 12 518456 SEACOCK, BRZ 1.5" W/O TAILPIECE  
(MACERATOR W/ SEACOCK INTERLOCK SYSTEM)
- 1302116 SWITCH, SEACOCK INTERLOCK W/60" LEADS/CONN  
(MACERATOR W/ SEACOCK INTERLOCK SYSTEM)
- 13 531566 ELBOW, BRZ 90DEG 1.5"MPT X 1.5"BARB  
(MACERATOR W/ SEACOCK INTERLOCK SYSTEM)
- 14 1304856 TANK, HOLDING 28 GAL HTS W/FIL/SEND W/CONN
- 15 1738926 SENDING UNIT, HOLD TANK CAP FOR MRRP 1304856  
(PART OF 1304856)

- 123604 CLAMP, LOOM VINYL DIP 2.5"
- 1413616 TANK, HOLDING NEW OWNERS GIFT PACK
- 1811331 HOSE, CONDUIT/SPLIT 2" WHT FLAME RETARDANT

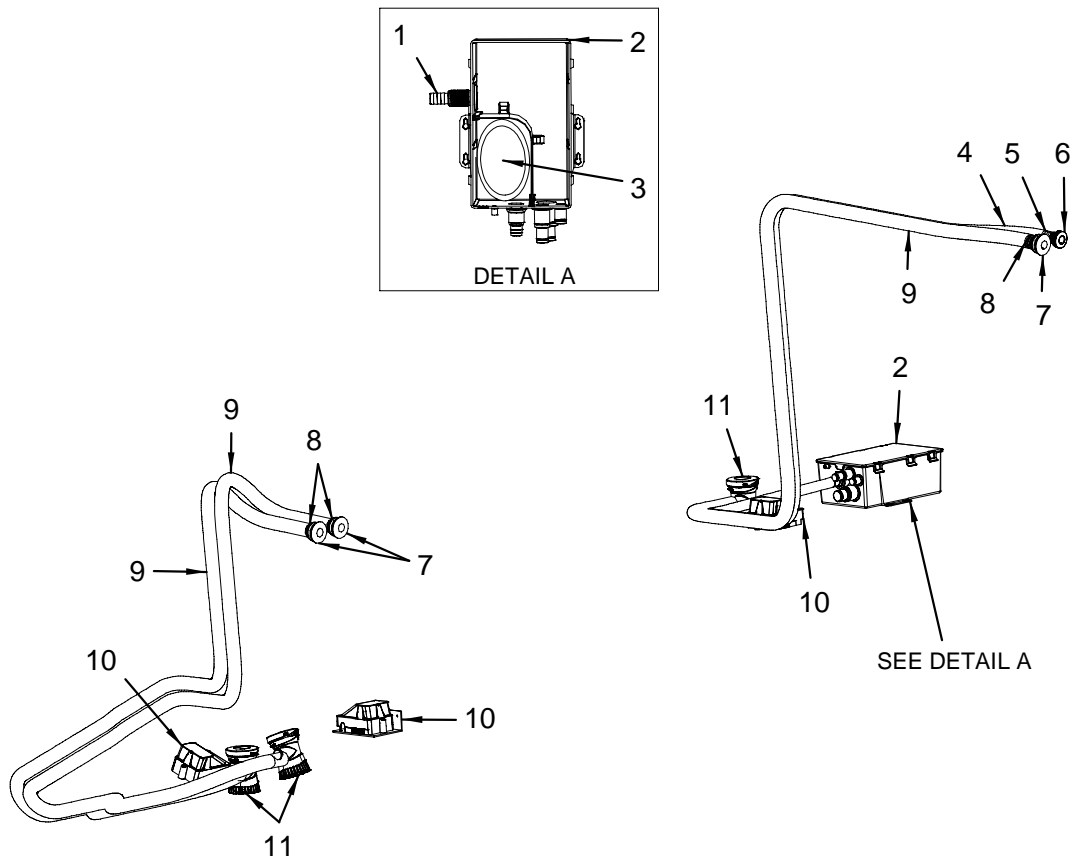
DRAINAGE SYSTEM (COCKPIT)



**DRAINAGE SYSTEM (COCKPIT)**

- 1 1778931 THRU-HULL, SS 1 1/8" BARB SHORT
- 2 256685 CLAMP, HOSE #16 3/4"-1.5" SS .505
- 3 123901 HOSE, CORR BILGE 1 1/8" BLK
- 4 266130 DRAIN, LINER W/90 DEG ELBOW 1" PLASTIC
- 5 583427 DRAIN, W/PLUG 100DEG 3/4" BARB CHR
- 1734472 DRAIN ASSY, STOPPER #4202 MED BLK
- 6 263954 CLAMP, HOSE #10 1/2"-1 1/8" SS .505
- 7 123885 HOSE, CORR BILGE 3/4" BLK
- 8 1778929 THRU-HULL, SS 3/4" BARB SHORT
- 9 674143 THRU-HULL, PLAS 3/4" X 90DEG WHT
- 10 1778928 THRU-HULL, SS 1.5" BARB SHORT
- 11 256693 CLAMP, HOSE #24 1"-2" SS .505
- 12 490219 HOSE, CORR SAN/WATER-FILL 1.5" RH
- 13 791673 THRU-HULL, PLAS 1.5" TUBE X 90DEG

**DRAINAGE SYSTEM (BILGE PUMP AND SUMP)**

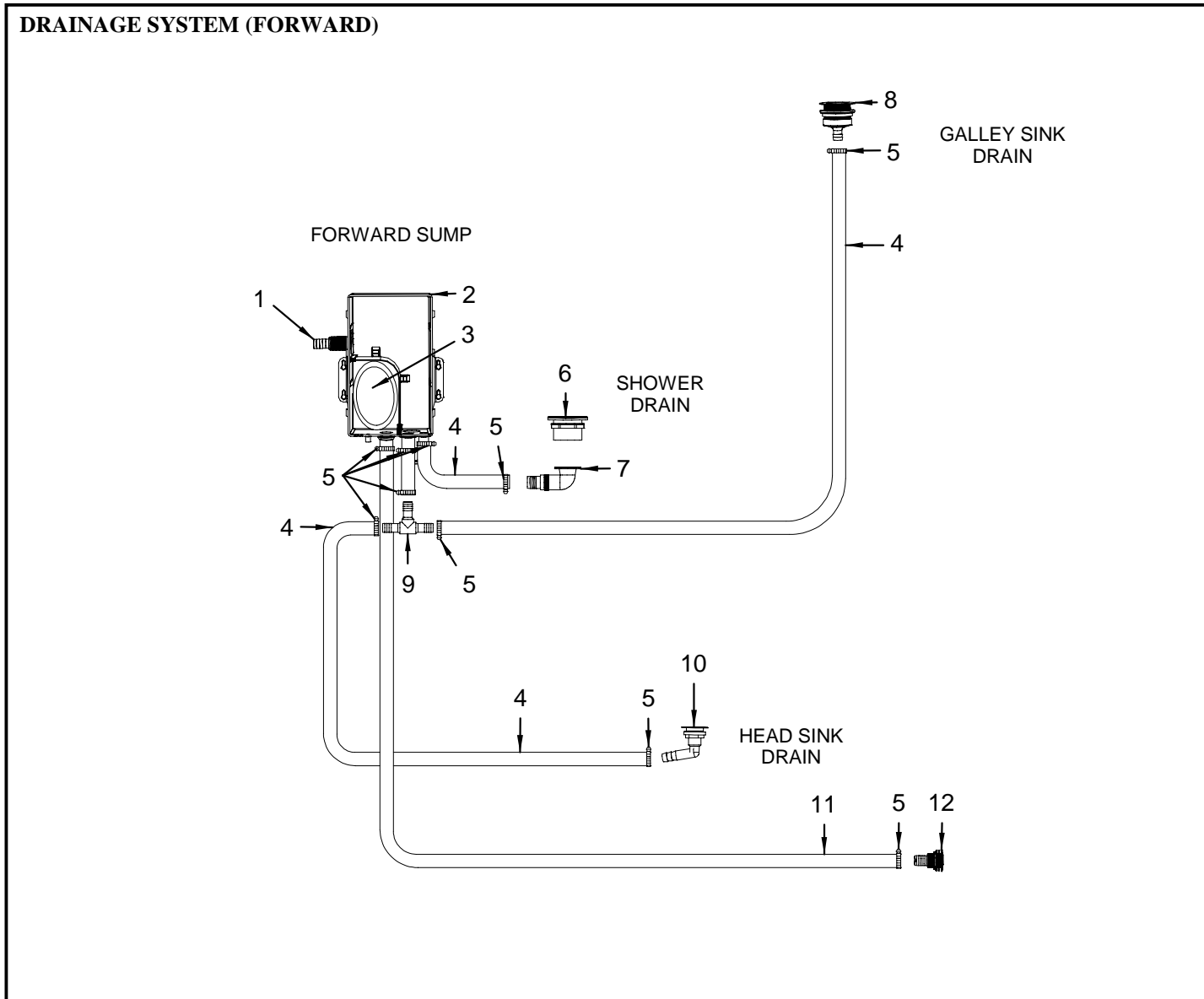


**DRAINAGE SYSTEM (BILGE PUMP AND SUMP)**

- 1 124487 THRU-HULL, PLAS 5/8" WHT  
(AIR CONDITIONING / HEATING-3/4 TON)
- 2 1792643 SHOWER, SUMP ASSY MULTI-PORT 750GPH 12V W/CON
- 3 1796904 PUMP, BILGE 1200GPH TSUNAMI W/CONN
- 4 123877 HOSE, CORR SAN/WATER-FILL 3/4"
- 5 263954 CLAMP, HOSE #10 1/2"-1 1/8" SS .505
- 6 1778929 THRU-HULL, SS 3/4" BARB SHORT
- 7 1778931 THRU-HULL, SS 1 1/8" BARB SHORT
- 8 256685 CLAMP, HOSE #16 3/4"-1.5" SS .505
- 9 123901 HOSE, CORR BILGE 1 1/8" BLK
- 10 1794015 SWITCH, FLOAT ATTWOOD W/CVR W/CONN  
1801270 BRACKET, ALUM FLOAT SWITCH HI-WTR ATTWOOD
- 11 1796904 PUMP, BILGE 1200GPH TSUNAMI W/CONN

**MANUAL BILGE PUMP (C E OPTION GROUP)**

- 529016 PUMP, BILGE 16GPM MANUAL TWO POS
- 801563 PUMP, BILGE MANUAL PICKUP/STRAINER
- 490219 HOSE, CORR SAN/WATER-FILL 1.5" RH
- 256701 CLAMP, HOSE #28 1 5/16"-2.25" SS .505
- 1778926 THRU-HULL, SS 1" BARB SHORT
- 1547769 BOARD, LDPVC 290SS-01 AMP MNT
- 1745514 LABEL, PREVENT DISCHARGE OF POLLUTANTS

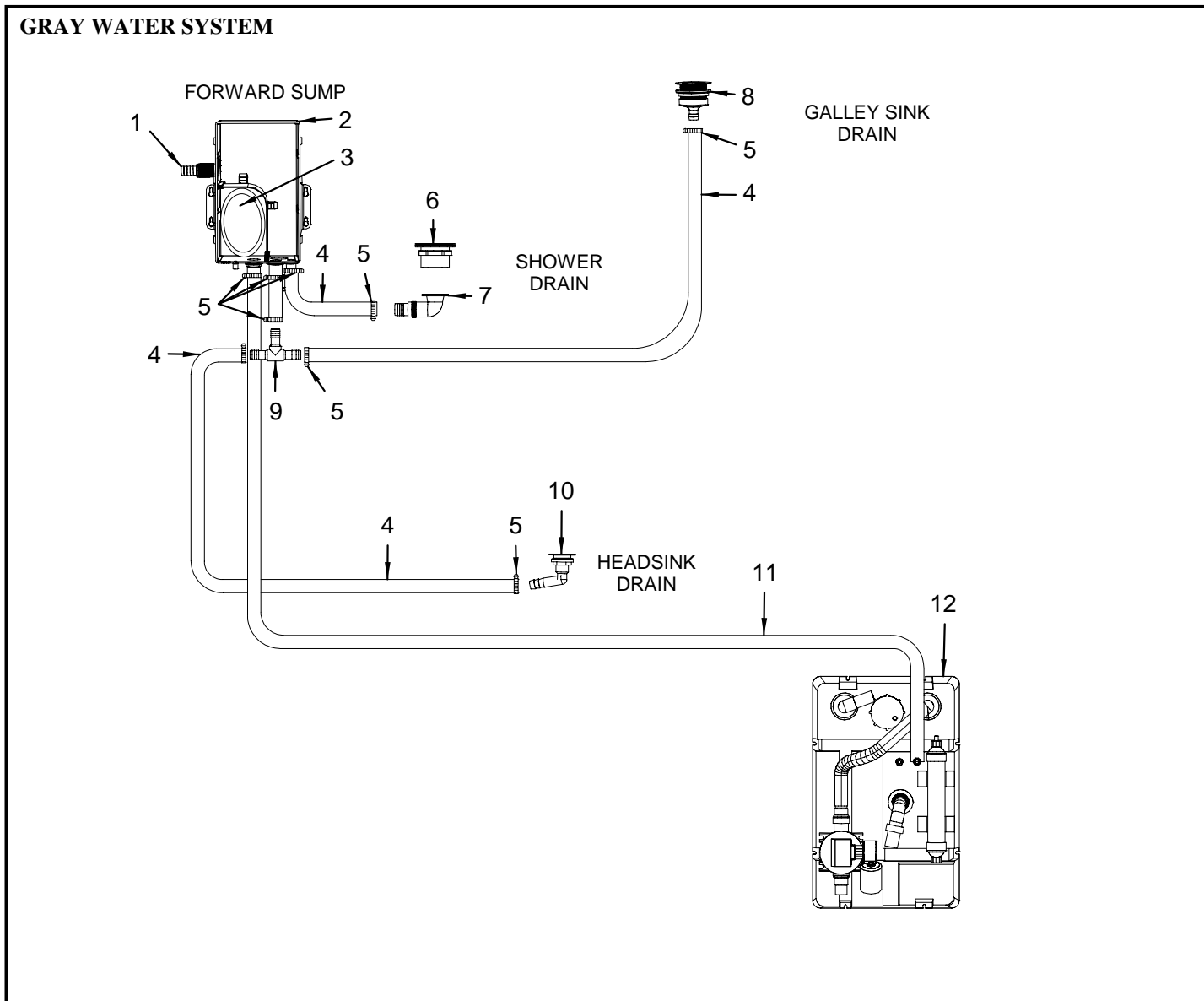


**DRAINAGE SYSTEM (FORWARD)**

- 1 124487 THRU-HULL, PLAS 5/8" WHT  
(AIR CONDITIONING / HEATING-3/4 TON)
- 2 1792643 SHOWER, SUMP ASSY MULTI-PORT 750GPH 12V W/CON
- 3 1796904 PUMP, BILGE 1200GPH TSUNAMI W/CONN
- 4 123885 HOSE, CORR BILGE 3/4" BLK
- 5 263954 CLAMP, HOSE #10 1/2"-1 1/8" SS .505
- 6 196782 DRAIN ASSY, SHOWER 1.5"
- 344762 DRAIN ASSY, SHOWER SLIP NUT 1.5"
- 344721 DRAIN ASSY, GASKET SHOWER SLIP NUT 1.5"
- 7 408724 ELBOW, PVC 1.5" FLANGE X 3/4" BARB X 90DEG
- 8 175687 DRAIN, SINK STRAINER 2.5" SS W/5/8" BARB
- 9 141523 TEE, PVC 3/4" BARB X 3/4" BARB X 3/4" BARB
- 10 583427 DRAIN, W/PLUG 100DEG 3/4" BARB CHR
- 1734472 DRAIN ASSY, STOPPER #4202 MED BLK
- 11 123877 HOSE, CORR SAN/WATER-FILL 3/4"
- 12 1778929 THRU-HULL, SS 3/4" BARB SHORT

**LABELS**

- 1745160 LABEL, 1/2" X 1.5" SHWR DRAIN
- 1745517 LABEL, 1/2" X 1.5" DISCHARGE
- 1751566 LABEL, 1/2" X 1.5" GALLEY SINK



**GRAY WATER SYSTEM**

- 1 124487 THRU-HULL, PLAS 5/8" WHT  
(AIR CONDITIONING / HEATING-3/4 TON)
- 2 1792643 SHOWER, SUMP ASSY MULTI-PORT 750GPH 12V W/CON
- 3 1796904 PUMP, BILGE 1200GPH TSUNAMI W/CONN
- 4 123885 HOSE, CORR BILGE 3/4" BLK
- 5 263954 CLAMP, HOSE #10 1/2"-1 1/8" SS .505
- 6 196782 DRAIN ASSY, SHOWER 1.5"
- 344721 DRAIN ASSY, GASKET SHOWER SLIP NUT 1.5"
- 7 408724 ELBOW, PVC 1.5" FLANGE X 3/4" BARB X 90DEG
- 8 175687 DRAIN, SINK STRAINER 2.5" SS W/5/8" BARB
- 9 141523 TEE, PVC 3/4" BARB X 3/4" BARB X 3/4" BARB
- 10 583427 DRAIN, W/PLUG 100DEG 3/4" BARB CHR
- 11 123877 HOSE, CORR SAN/WATER-FILL 3/4"
- 12 1684143 TANK, HOLDING 28 GAL W/T12PUMP/RELAY/90DEGELL

**LABELS**

- 1745161 LABEL, 1/2" X 1.5" VANITY SINK
- 1768876 LABEL, 1/2" X 1.5" DRAIN

**NOT SHOWN**

- 182964 THRU-HULL, PLAS 3/4" WHT