

**2008 310DA**

**PARTS MANUAL**

**310**

**SUNDANCER®**

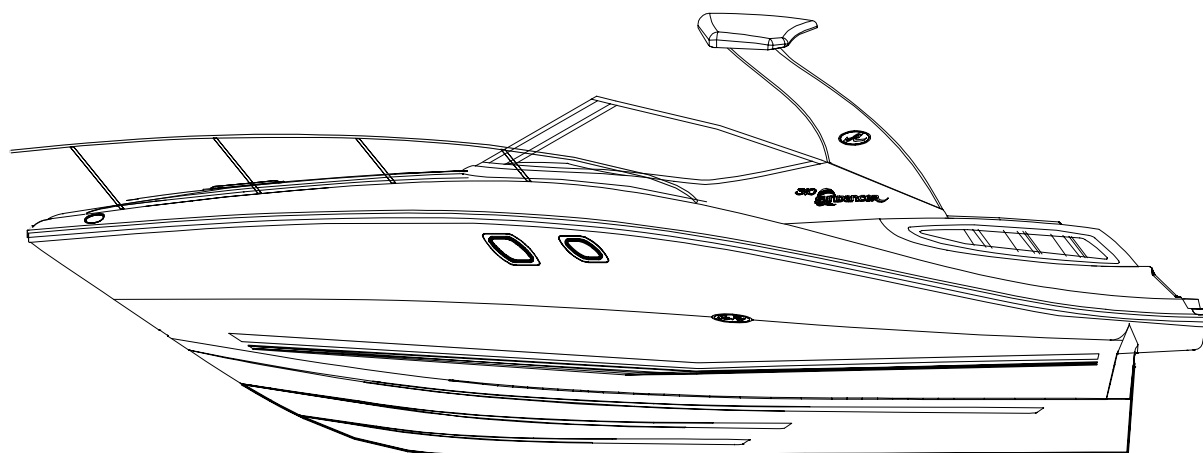
International - 335 SUNDANCER



Sea Ray® Parts Manual, 2008 310 SUNDANCER MRP #  
Sea Ray Boats, 2600 Sea Ray Blvd., Knoxville, TN 37914. For information call 1-800-SRBOATS or fax 1-314-213-7878 (USA and International).  
Internet address: <http://www.searay.com>

Note: Not all accessories shown in pictures or described herein are standard equipment or even available as options.  
Options and features are subject to change without notice.

Confirm the availability of all accessories and equipment with an authorized Sea Ray® dealer.

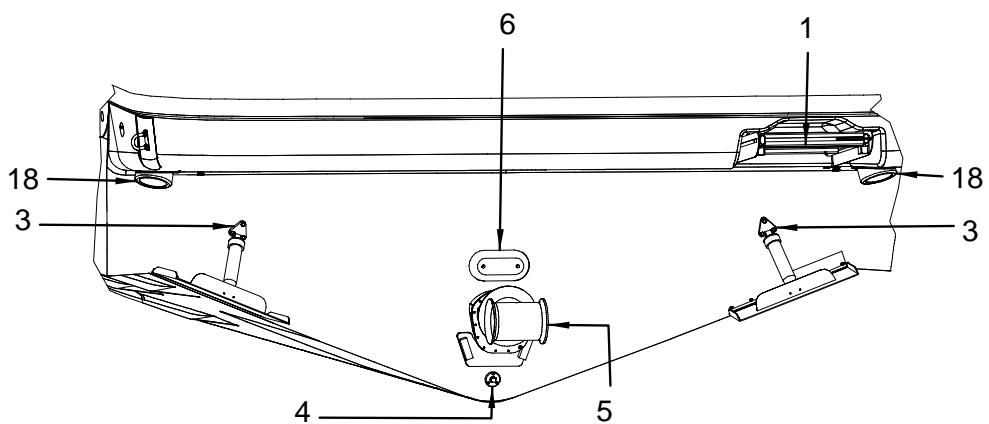
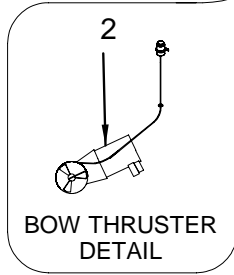
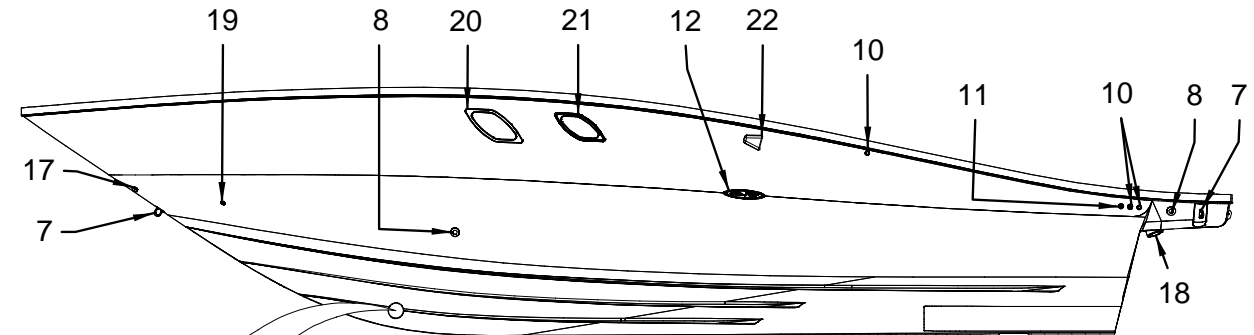
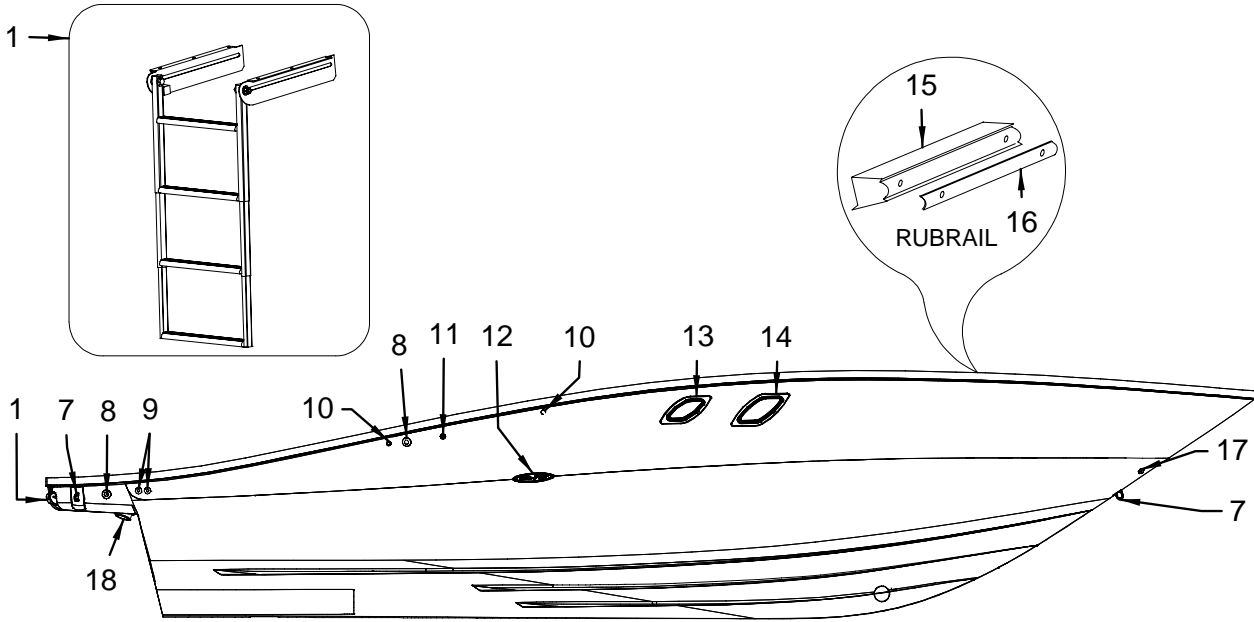
**GELCOATS****GELCOATS**

- 1899293 GEL COAT, ARCTIC WHT WG-MP-1949S  
(HULL, DECK AND SMALL PARTS)
- 1891217 GEL COAT, BILGE PEARL G920LB90935 AOC  
(HULL, DECK AND SMALL PARTS)
- 1558469 GEL COAT, MAXGUARD LE PEARL  
(SHOWERS)
- 1799861 GEL COAT, NICKLE MMHP  
(GEL-COATED DASH)
- 1899162 GEL COAT, SEA RAY BLUE 952 LK 197  
(BLUE COLORED HULL)
- 1907412 GEL COAT, MMHP SOFT YELLOW 5799L90028  
(YELLOW COLORED HULL)
- 1799781 GEL COAT, NEW PEWTER VALSPAR  
(PEWTER COLORED HULL)
- 1690845 GEL COAT, JET BLK  
(BLACK COLORED HULL)

**BOTTOM PAINT**

- 1355338 PAINT, BOTTOM BLACK HYDROCOAT
- 1271147 PAINT, PRIMER METAL #6627
- 946152 PAINT, PRIMER METAL #6455/044
- 868901 THINNER, BOTTOM PAINT
- 1896388 PRIMER, FAST CURE SANDLESS 6998 1 GL

EXTERIOR (HULL)



**EXTERIOR (HULL)**

- 1 1854250 LADDER, SWIM 4-STEP SS UNDRMNT RND 5DEG
- 1907027 LADDER, SLIDE BAR LATCH SPRING KIT  
(PART OF 1854250)
- 1907028 LADDER, TEL RND 4-STEP UNDRMNT SECTIONS  
(PART OF 1854250)
- 1907029 LADDER, STOP BLOCK RND 4-STEP 5&30 DEG W/HDWR  
(PART OF 1854250)
- 1907030 LADDER, GUDGEON 19.25"X 19" UNDRMNT SS  
(PART OF 1854250)
- 2 1592419 BOW THRUSTER, TUNNEL 125X900X4MM W/SM35S ONLY  
(BOW THRUSTER)
- 1808795 (BOW & STERN THRUSTERS)  
BOW THRUSTER, SIDE PWR 77LB THRST SEALED GEAR  
(BOW THRUSTER)
- 1807469 (BOW & STERN THRUSTERS)  
BOW THRUSTER, PROP LOCK NUT F/1592401  
(PART OF 1808795)
- 1807470 BOW THRUSTER, PROP WASHER F/1592401  
(PART OF 1808795)
- 1819995 BOW THRUSTER, PROP F/1592401  
(PART OF 1808795)
- 1819997 BOW THRUSTER, ZINC ANODE F/1592401/1808795  
(PART OF 1808795)
- 1765067 BOW THRUSTER, JOYSTICK (IMTRA)12/24V W/ON/OFF  
(BOW THRUSTER)
- 1727462 BOW THRUSTER, CABLE SIDE PWR CNTRL 15M  
(BOW THRUSTER)
- 1585470 (BOW & STERN THRUSTERS)  
FUSE, ANL250 IGN PROTECTED  
(BOW THRUSTER)
- 795583 (BOW & STERN THRUSTERS)  
BUSS BAR, SGL POST 5/16"  
(BOW THRUSTER)
- 987446 (BOW & STERN THRUSTERS)  
FUSE BLOCK, BLADE TYPE ANL350/500  
(BOW THRUSTER)
- 650507 (BOW & STERN THRUSTERS)  
BOOT, BATTERY CABLE 4/0 BLK 11/16"  
(BOW THRUSTER)
- 650499 (BOW & STERN THRUSTERS)  
BOOT, BATTERY CABLE 4/0 RED 11/16"  
(BOW THRUSTER)
- 130807 (BOW & STERN THRUSTERS)  
CABLE, BATT BLK #2/0AWG  
(BOW THRUSTER)
- 184051 (BOW & STERN THRUSTERS)  
CABLE, BATT RED #2/0AWG  
(BOW THRUSTER)
- 793257 (BOW & STERN THRUSTERS)  
CONN, RING 2/0GA X 3/8R BATT/CBL COP PLTD CLS  
(BOW THRUSTER)
- 793273 (BOW & STERN THRUSTERS)  
CONN, RING 2/0GA X 5/16R BATT/CBL COP PLTD CL  
(BOW THRUSTER)
- 793331 (BOW & STERN THRUSTERS)  
CONN, RING 2/0GA X 1/2R .928 BARE PLTD CLSD  
(BOW THRUSTER)
- 1429190 (BOW & STERN THRUSTERS)  
HEAT SHRINK, TUBING BLK 1"X 4"  
(BOW THRUSTER)
- 1429208 (BOW & STERN THRUSTERS)  
HEAT SHRINK, TUBING RED 1"X 4"  
(BOW THRUSTER)
- 3 725937 TRIM TAB, ASSY 12X18 SGL ACT
- 268508 TRIM TAB, HYD PUMP KIT W/3"NIPPLE
- 841825 SHIM, PVC TRIM TAB PUMP BLK
- 1913256 CABLE, TRIM PUMP WIRING KIT  
(DIESEL ENGINE)
- 4 325191 PLUG, RED BRASS DRAIN 1/2"MPT W/FLANGE
- 162263 PLUG, BRASS 1/2" MPT DRAIN SPARE  
(PART OF 325191)
- 5 1835974 STERN THRUSTER, TUNNEL 125MM FOR SP40  
(BOW & STERN THRUSTERS)
- 1835973 (BOW & STERN THRUSTERS)  
STERN THRUSTER, SIDE PWR 88LB THRST 12V IGNP  
(BOW & STERN THRUSTERS)
- 1807469 BOW THRUSTER, PROP LOCK NUT F/1592401  
(PART OF 1835973)
- 1807470 BOW THRUSTER, PROP WASHER F/1592401  
(PART OF 1835973)
- 1819995 BOW THRUSTER, PROP F/1592401  
(PART OF 1835973)
- 1819996 BOW THRUSTER, PROP DRIVE PIN F/1592401  
(PART OF 1835973)
- 1819997 BOW THRUSTER, ZINC ANODE F/1592401/1808795  
(PART OF 1835973)
- 1800993 STERN THRUSTER, DOCKING CNTRL PNL  
(BOW & STERN THRUSTERS)

- 6 144329 ZINC, TRANSOM ZINC  
(V-DRIVE ENGINES ONLY)
- 7 126599 EYE, STERN 1/2"X 3 7/16" W/BACKING PLATE  
1473040 PLATE, BACKING UNIVERSAL 3/16"
- 8 1778928 THRU-HULL, SS 1.5"BARB SHORT
- 9 1778931 THRU-HULL, SS 1 1/8"BARB SHORT
- 10 1433176 VENT, FUEL/WATER SS 5/8" 90DEG FLSH MNT
- 11 1778929 THRU-HULL, SS 3/4"BARB SHORT
- 12 1443183 EMBLEM, "SEA RAY" SCRIPT HULL LOGO CHR 13"
- 13 1848367 PORTLIGHT, OPENING HULL WNDW STB SML THK FRM
- 1848571 PORTLIGHT, SCREEN HULL WNDW STB SML THK FRM
- 14 1848366 PORTLIGHT, OPENING HULL WNDW STB LRG THK FRM
- 1848573 PORTLIGHT, SCREEN HULL WNDW STB LRG THK FRM
- 15 1673565 RUBRAIL, PVC ARCWHT 19"SS INSERT 1.825"WIDE
- 16 1080100 INSERT, RUB RAIL SS 3/4"X 12" (.062/304SS)
- 17 533430 VENT, CLAMSHELL ROPE LCKR 2"X2"
- 18 1774634 LIGHT, UNDRWTR 12V/50W HALOGEN SEALED BEAM  
(UNDER WATER SWIM PLATFORM LIGHTING)  
(BULB NOT REPLACEABLE)
- 122853 FITTING, WATER TIGHT OUTLET FOR 5/16" CABLE  
(UNDER WATER SWIM PLATFORM LIGHTING)
- 19 1778933 THRU-HULL, SS 5/8"BARB SHORT  
(AIR CONDITIONING / HEATING)
- 20 1848365 PORTLIGHT, OPENING HULL WNDW PRT LRG
- 1848572 PORTLIGHT, SCREEN HULL WNDW PRT LRG
- 21 1839315 PORTLIGHT, OPENING HULL WNDW PRT SML FRSTD
- 1839335 PORTLIGHT, SCREEN HULL WNDW PRT SML FRSTD
- 22 688721 COVER, CUSTOM CLAMSHELL (ABS/DR)  
(ARTIC WHITE HULL)
- 1899553 COVER, CUSTOM CLAMSHELL ABS/DR SEA RAY BLUE  
(BLUE COLORED HULL)
- 1797185 COVER, CUSTOM CLAMSHELL PEWTER  
(PEWTER COLORED HULL)
- 1907467 COVER, CUSTOM CLAMSHELL ABS/DR SFT YLW  
(YELLOW COLORED HULL)
- 1802212 COVER, CUSTOM CLAMSHELL ABS/DR PAINTED BLK  
(BLACK COLORED HULL)

**LABELS**

- 1743532 LABEL, SLING (LEXAN)
- 1745519 LABEL, DANGER SHUT OFF ENG WHEN NEAR SWIMMERS
- 1751061 LABEL, BOW THRUSTER  
(BOW THRUSTER)
- 1813640 LABEL, STERN THRUSTER  
(BOW & STERN THRUSTERS)

**NOT SHOWN**

- 1675313 TAPE, NORSEAL 0.125"X 7/8"X 100' SWIVEL FREE
- 1895054 LIGHT, UNDRWTR SV16/12V 55W HAL W/BRS RNG

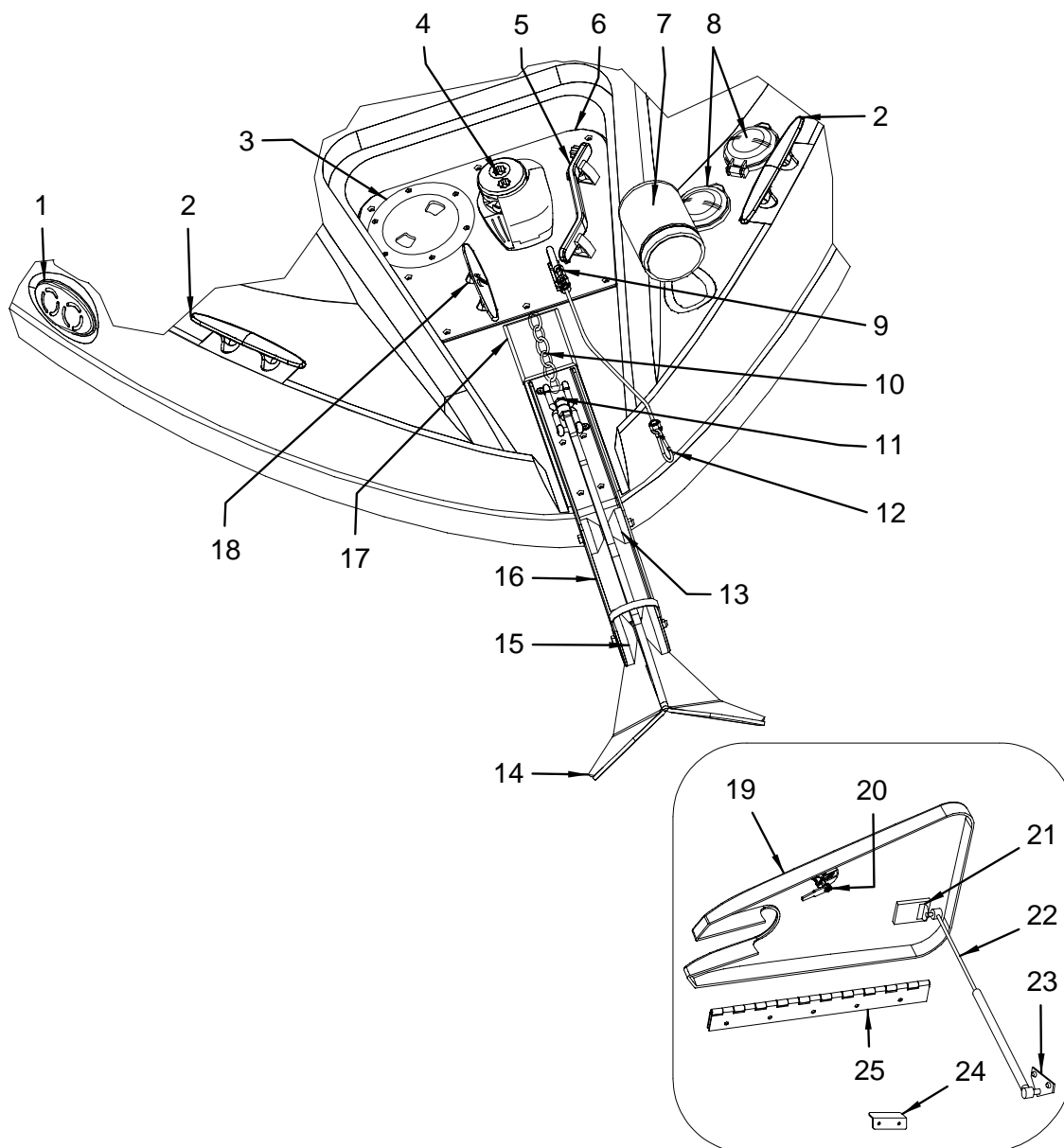
**TRAILERS**

- 1755990 TRAILER, 290AJ/300DA/320DA INT'L ALUM W/BUNK  
(INT'L TRAILER - ALUMINUM W/ BUNK)
- 1755992 TRAILER, 290AJ/300DA/32DA INT'L ALUM W/ROLLER  
(INT'L TRAILER - ALUMINUM W/ ROLLERS)

**VAC PACK**

- 1444603 VINYL FILM, VAC PACK SHRINK 7MM X 24'X 248'
- 1766057 VINYL FILM, 320DA-04 PLAS CVR  
(COLORED HULL)  
(TRANS-SHIELD COVER - SHIPPING COVER)
- 1872342 LABEL, STICKER SEARAY LOGO OVAL 11 1/2" X 47"
- 413070 TAPE, VAC PAK WHT (2"X 36YDS) PRESERVATION
- 468934 TAPE, VAC PAK WHT (4"X 36YDS) PRESERVATION
- 519611 STRAPPING, CLOTH RAYON
- 524868 VINYL FILM, VAC PACK ZIPPER DOOR 30"X 48"WHT
- 614867 DECAL, "SLING" LARGE (VAC PAC)
- 642504 BUBBLE PACK, ADH 6"X 300'

EXTERIOR (WINDLASS)



## EXTERIOR (WINDLASS)

## NOT SHOWN

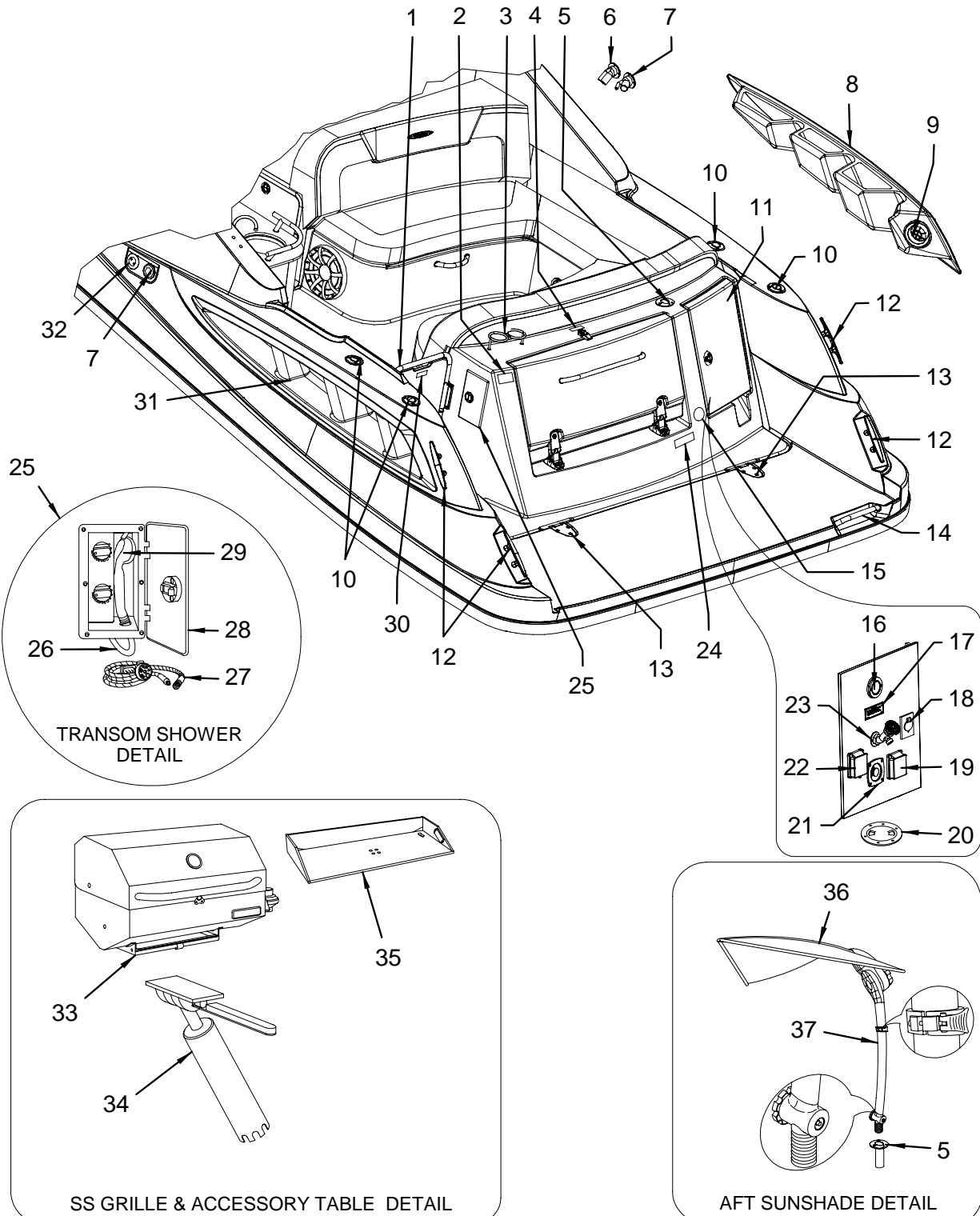
- 1 1837054 HORN, SGL CONCEALED W/SS GRILL/CONN  
1840005 HORN GRILL, SGL CONCEALED SS  
(PART OF 1837054)
- 2 1777988 CLEAT, 10" SEA RAY SS 2-BOLT  
1473057 PLATE, BACKING CLEAT 1/4"X 2.5"X 5"
- 3 983700 ACCESS PLATE, POLYPROP SCREW-OUT 6" WHT
- 4 1853433 WINDLASS, RP/CHN ANTARES 1000 W/2FTS W/SLNOID  
(WINDLASS - ROPE / CHAIN)  
(WINDLASS - CHAIN)
- 1874393 WINDLASS, SOLENOID 12V ASTER700/ANTARES1000  
(PART OF 1853433)
- 1884118 WINDLASS, RP/CHN ANTARES 1000 (WINDLS ONLY)  
(PART OF 1853433)
- 651869 SOLENOID, MAGNET LATCHING LEAD ONLY  
(WINDLASS - ROPE / CHAIN)  
(WINDLASS - CHAIN)
- 798447 WINDLASS SOLENOID, LOFRANS CONTROL BOX 12V  
(WINDLASS - ROPE / CHAIN)  
(WINDLASS - CHAIN)
- 1873372 BRKR/ROCK, SGL-POLE C-SERIES IGNPRT 100A LD  
(WINDLASS - ROPE / CHAIN)  
(WINDLASS - CHAIN)
- 5 1874399 WINDLASS, BENT CLUTCH HANDLE ANTARES1000/1500  
(PART OF 1853433)
- 590646 CLIP, POLE STRG BLK - MAST LIGHT  
(WINDLASS - ROPE / CHAIN)  
(WINDLASS - CHAIN)
- 579573 CLIP, RETAINER BOAT HOOK 5/8"TO 1 1/4"  
(WINDLASS - ROPE / CHAIN)  
(WINDLASS - CHAIN)
- 6 1882359 PLATE, ALUM 3/8"X16 7/8"X19 7/8"WINDLS MNT ARW  
(WINDLASS - ROPE / CHAIN)  
(WINDLASS - CHAIN)
- 7 1754590 SPOTLIGHT, 5" SS GUEST  
(SPOTLIGHT, 5" REMOTE CONTROLLED)
- 1759435 BULB, REPL FOR #1754590 SPOTLIGHT  
(PART OF 1754590)
- 1757404 HARNESS, SPOTLIGHT ASSY 35' W/MALE CONN  
(SPOTLIGHT, 5" REMOTE CONTROLLED)
- 1501857 HOSE, CONDUIT/SPLIT 1.5" FLAME RETARDANT  
(SPOTLIGHT, 5" REMOTE CONTROLLED)
- 8 1884137 WINDLASS, FOOTSWITCH DOWN WHT  
(PART OF 1853433)
- 1884138 WINDLASS, FOOTSWITCH UP WHT  
(PART OF 1853433)
- 1687161 COVER, PLAS SAFETY WINDLASS FOOTSWITCH  
(PART OF 757765)
- 9 697508 EYE, BOW 3/8"X 2.75"
- 10 144956 ROPE, NYLON ANCHOR LINE W/THIMBLE 1/2"X 150"  
1788177 ROPE/CHN KIT, LOFRANS 9/16"X200/5/16"X25" HT  
(WINDLASS - ROPE / CHAIN)
- 489575 CHAIN, HIGH TEST 5/16"X 125"  
(WINDLASS - CHAIN)
- 11 1145275 ANCHOR SHACKLE, JAW/JAW SWIVEL HVY DTY 3/8"
- 12 805499 LANYARD, CABLE ANCHOR 1/8"X 16"SS  
819334 HOOK, SNAP 5/16"X 3 1/8" SS
- 13 1850682 ROLLER, ANCHOR DAVIT SML F/1073097  
(PART OF 1246396)
- 14 1733352 ANCHOR, 25LB PLOW
- 15 1727453 ROLLER, ANCHOR DAVIT F/1073097/1784251  
(PART OF 1246396)
- 16 1246396 DAVIT, ANCHOR W/4"ROLLER 3/8"BAIL RV1
- 17 1805771 GUARD, HDPE 1/2"X 3 3/8"X 6" WINDLS CHAIN  
(WINDLASS - ROPE / CHAIN)  
(WINDLASS - CHAIN)
- 18 1777987 CLEAT, 8" SEA RAY SS 2-BOLT  
(NOT USED WITH WINDLASS - CHAIN)
- 793471 PLATE, BACKING UNIVERSAL 3/16"  
(NOT USED WITH WINDLASS - CHAIN)
- 1048743 CHAIN STOP, SS W/LANYARD (WINDLINE)  
(WINDLASS - CHAIN)
- 19 1909128 310DA 08,HATCH,R/L FBRGLS
- 20 1781437 LATCH, COMPRESSION 2"N/LOCKING SS  
1781439 CATCH, PAWL 2"OFFSET SHORT SS  
1781440 PLATE, DEEP BRKT 2"W/HDWR PKG SS
- 21 634550 BRACKET, SS GAS CYL 90DEG L-BRKT W/BALL LONG
- 22 1425396 CYLINDER, GAS SS 30PSI 15"EXT X 9"COMP
- 23 732792 BRACKET, SS GAS CYL 90DEG 2.062" W/STUD
- 24 1877917 BRACKET, SS DOOR KEEPER
- 25 1836186 HINGE, SS CONT 2"X 23" POLISHED

- 168468 DECK PIPE, ROPE/DECK PIPE SS
- 156893 WEBBING, POLYPROPYLENE 1" BLACK
- 1596923 FUSE HOLDER, BLADE TYPE ACCY 10A  
(WINDLASS - ROPE / CHAIN)  
(WINDLASS - CHAIN)
- 418632 LANYARD, W/TAB/RING
- 1897328 ROD, THREAD 8MM X 6MM X 8 SS 08/35  
(WINDLASS - ROPE / CHAIN)  
(WINDLASS - CHAIN)

## LABELS

- 1745518 LABEL, WINDLASS BRKR  
(WINDLASS - ROPE / CHAIN)  
(WINDLASS - CHAIN)

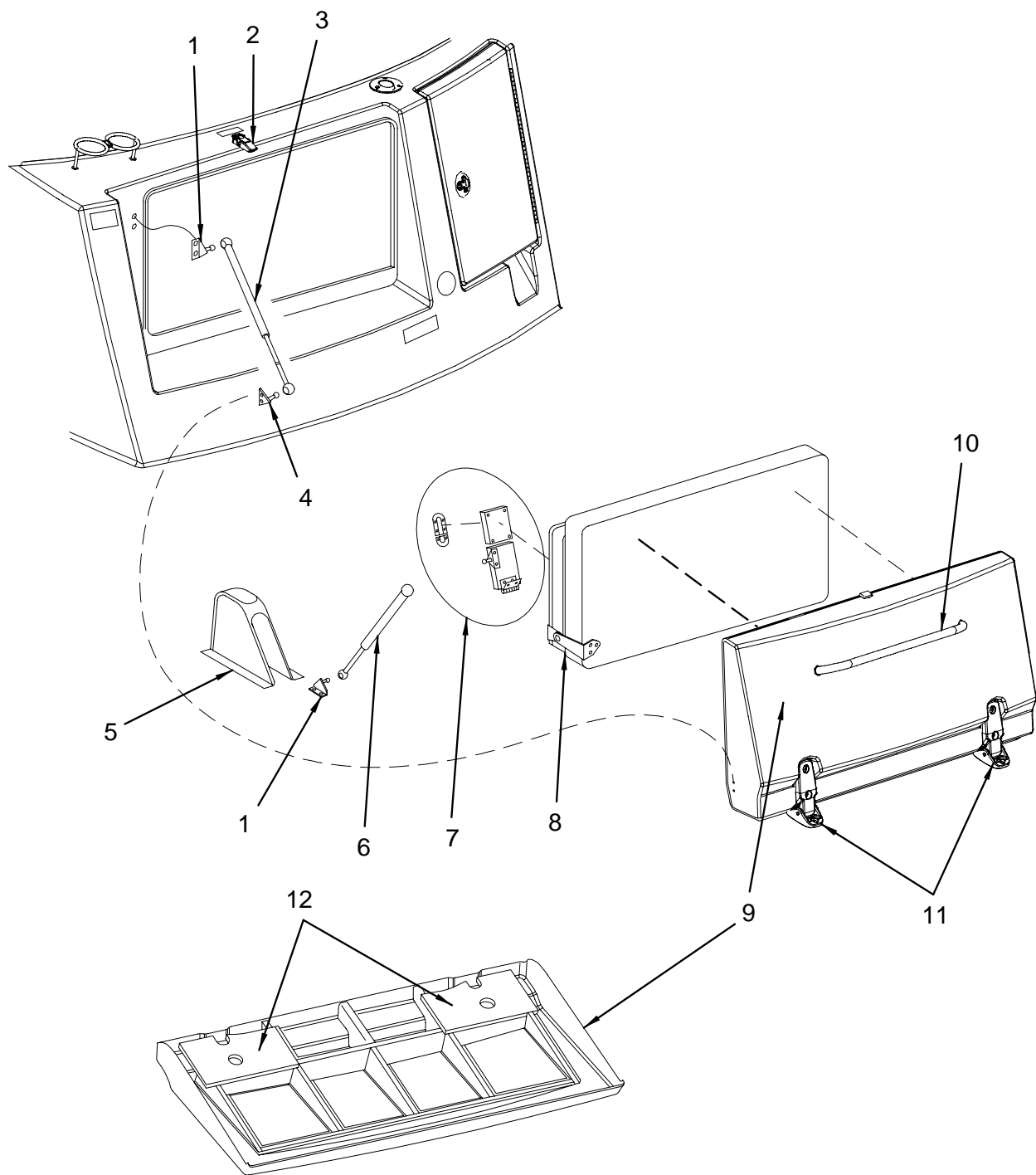
EXTERIOR (DECK) AFT







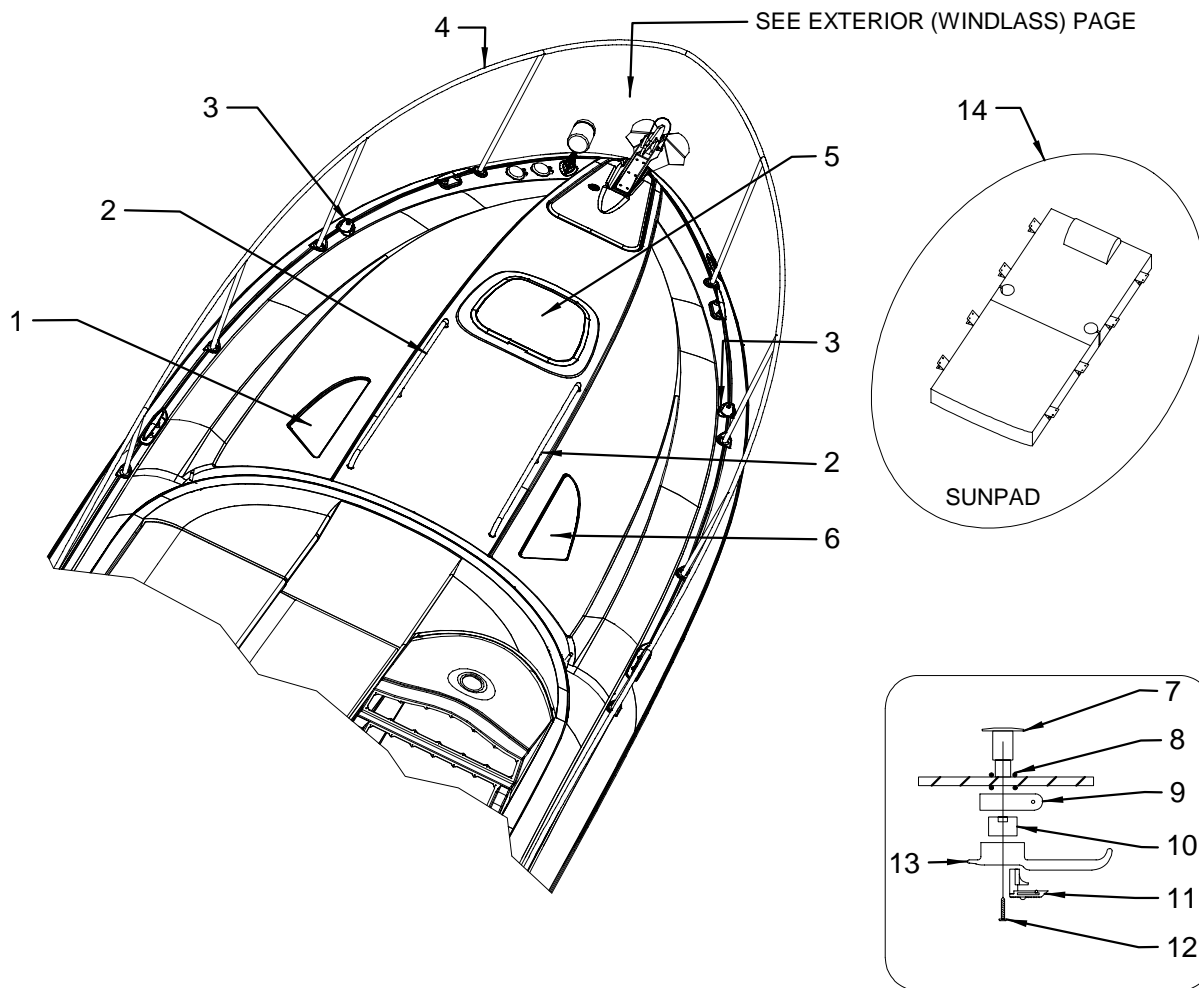
EXTERIOR (DECK) RUMBLE SEAT



**EXTERIOR (DECK) RUMBLE SEAT**

- 1 634550 BRACKET, SS GAS CYL 90DEG L-BRKT W/BALL LONG
- 2 1882426 LATCH, DRAW TRNSM SEAT ZINC/CHR POL FRICTION
- 3 1884389 CYLINDER, SS DAMPENER 20"EXT
- 4 634592 BRACKET, SS GAS CYL FLAT W/BALL STUD
- 5 1409929 COVER, ABS W/S VENT ACTUATOR ARW
- 6 1884390 CYLINDER, GAS SS 30PSI 26"EXT X 12"COMP
- 7 1885349 BOARD, HDPE 1/2X3X12 BARREL BOLT/SHIM/HNG ARW
- 8 1847967 HINGE, SS TRNSM SEAT BACK PIVOT
- 9 1885311 LID, RTM TRNSM SEAT ARW
- 10 1747838 RAIL, GRAB 24" STRMLN W/STUD FLANGES 316L
- 11 1847966 HINGE, SS TRNSM SEAT BACK N/PIN W/RBR PAD
- 12 1888672 BRACE, HDPE TRNSM SEAT LID ARW

**EXTERIOR (DECK) FORWARD**



**EXTERIOR (DECK) FORWARD**

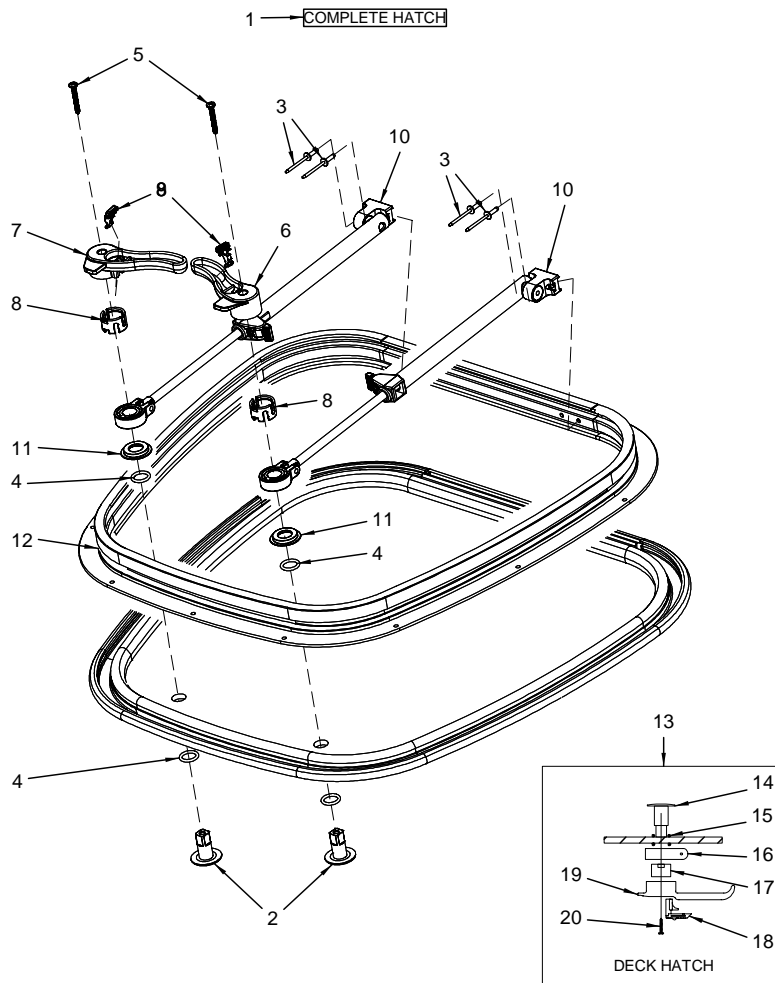
- 1 1795302 SKYLIGHT, GLASS 290DA-06 GRY TINT W/BDR PRT
- 2 1839629 RAIL, DECK RUNNER 310DA-07 P/S  
(SUN PAD/VINYL/WITH HEADREST-SS DECK RUNNERS)
- 3 1771013 LIGHT, NAV SIDE SS HORZ 12V W/CONN
- 1423946 BULB, REPL FOR #1414895 12V  
(PART OF 1771013)
- 1798179 LIGHT, NAV SIDE SS LENS CVR ONLY(RED/PRT)  
(PART OF 1771013)
- 1798182 LIGHT, NAV SIDE SS LENS CVR ONLY(GRN/STB)  
(PART OF 1771013)
- 4 1817494 RAIL, BOW 310DA-07 CMLPT WELDED
- 1210038 PLATE, BACKING BOW RAIL ALUM 2" ROUND
- 5 1898184 HATCH, DECK TRAPEZOID ARCW ULTRA 3  
(HULL# 1331 -> UP)  
(SEE TRAPEZOID DECK HATCH SECTION FOR HATCH PARTS  
BREAKDOWN)
- 1688217 HATCH, DECK TRAPEZOID ARC WHT  
(HULL# 1201 -> 1330)  
(SEE TRAPEZOID DECK HATCH SECTION FOR HATCH PARTS  
BREAKDOWN)
- 1745363 GASKET, DECK HATCH TRAPEZOID
- 1764546 SCREEN, DECK TRAPEZOID SKYSCREEN MK5
- 1798386 SCREEN, DECK TRAPEZOID SKYSCREEN SHADE ONLY  
(PART OF 1764546)
- 1798387 SCREEN, DECK TRAPEZOID SKYSCREEN SCREEN ONLY  
(PART OF 1764546)
- 6 1796241 SKYLIGHT, GLASS 290DA-06 GRY TINT W/BDR STB

- 7 632794 HATCH, ALL HATCH SIZES MUSHROOM OR POST  
(PART OF 1688217)
- 8 632778 HATCH, O-RING  
(PART OF 1688217)
- 9 701466 HATCH, ARM UNIV PIVOT ALL SIZES  
(PART OF 1688217)
- 10 701458 HATCH, DECK KNOB ULTRA 92/93  
(PART OF 1688217)
- 800862 ARM, DECK HATCH TELESCOPE SHORT BDY BLK PLAS  
(PART OF 1688217)
- 11 802827 HATCH, HATCH HANDLE  
(PART OF 1688217)
- 12 802793 HATCH, SCREW 3/8" PLEX  
(PART OF 1688217)
- 13 802801 HANDLE, DECK HATCH LATCHING  
(PART OF 1688217)
- 14 1846964 CUSH, 310DA-07 SUNPAD FWD DECK OMNOVA  
(SUN PAD/VINYL/WITH HEADREST-SS DECK RUNNERS)
- 1909745 CUSH SKN, 10DA-08 SUNPAD FWD DECK OMNOVA  
(SUN PAD/VINYL/WITH HEADREST-SS DECK RUNNERS)

**LABELS**

- 1745515 LABEL, WARNING DO NOT STAND/WALK THIS AREA
- 1752374 LABEL, SUN PAD WARNING UNDERWAY  
(SUN PAD/VINYL/WITH HEADREST-SS DECK RUNNERS)

**TRAPEZOID DECK HATCH**



**TRAPEZOID DECK HATCH**

- 1 1898184 HATCH, DECK TRAPEZOID ARCW ULTRA 3  
(HULL# 1331 -> UP)  
(SEE REF# 2-12 FOR PARTS OF PART)
- 1745363 GASKET, DECK HATCH TRAPEZOID
- 1764546 SCREEN, DECK TRAPEZOID SKYSCREEN MK5
- 1798386 SCREEN, DECK TRAPEZOID SKYSCREEN SHADE ONLY  
(PART OF 1764546)
- 1798387 SCREEN, DECK TRAPEZOID SKYSCREEN SCREEN ONLY  
(PART OF 1764546)
- 2 1937421 HATCH, POST  
(HULL# 1331 -> UP)  
(PART OF 1898184)
- 3 1937425 HATCH, SSB6-6S MARSON RIVET  
(HULL# 1331 -> UP)  
(PART OF 1898184)
- 4 1937428 HATCH, POST O RING  
(HULL# 1331 -> UP)  
(PART OF 1898184)
- 5 1937429 HATCH, SCREW #10  
(HULL# 1331 -> UP)  
(PART OF 1898184)
- 6 1937432 HATCH, HANDLE RIGHT  
(HULL# 1331 -> UP)  
(PART OF 1898184)
- 7 1937434 HATCH, HANDLE LEFT  
(HULL# 1331 -> UP)  
(PART OF 1898184)

- 8 1937435 HATCH, PIVOT ADAPTER  
(HULL# 1331 -> UP)  
(PART OF 1898184)
- 9 1937436 HATCH, PIVOT LOCK  
(HULL# 1331 -> UP)  
(PART OF 1898184)
- 10 1937437 HATCH, UL3 9" BODY W/11" RACK  
(HULL# 1331 -> UP)  
(PART OF 1898184)
- 11 1937438 HATCH, SHADE SPACER  
(HULL# 1331 -> UP)  
(PART OF 1898184)
- 12 1937440 HATCH, TRAP CVR ASSY  
(HULL# 1331 -> UP)  
(PART OF 1898184)
- 13 1688217 HATCH, DECK TRAPEZOID ARC WHT  
(HULL# 1201 -> 1330)  
(ALSO SEE REF# 14-20 FOR PARTS OF PART)
- 1745363 GASKET, DECK HATCH TRAPEZOID
- 460337 ARM, DECK HATCH ADJ 20X20 "PAIR ONLY"  
(HULL# 1201 -> 1330)  
(PART OF 1688217)
- 1797142 HATCH, DECK KNOB PHYCHOKNOB 05  
(HULL# 1201 -> 1330)  
(PART OF 1688217)
- 1764546 SCREEN, DECK TRAPEZOID SKYSCREEN MK5
- 1798386 SCREEN, DECK TRAPEZOID SKYSCREEN SHADE ONLY  
(PART OF 1764546)
- 1798387 SCREEN, DECK TRAPEZOID SKYSCREEN SCREEN ONLY  
(PART OF 1764546)

14 632794 HATCH, ALL HATCH SIZES MUSHROOM OR POST  
(HULL# 1201 -> 1330)  
(PART OF 1688217)

15 632778 HATCH, O-RING  
(HULL# 1201 -> 1330)  
(PART OF 1688217)

16 701466 HATCH, ARM UNIV PIVOT ALL SIZES  
(HULL# 1201 -> 1330)  
(PART OF 1688217)

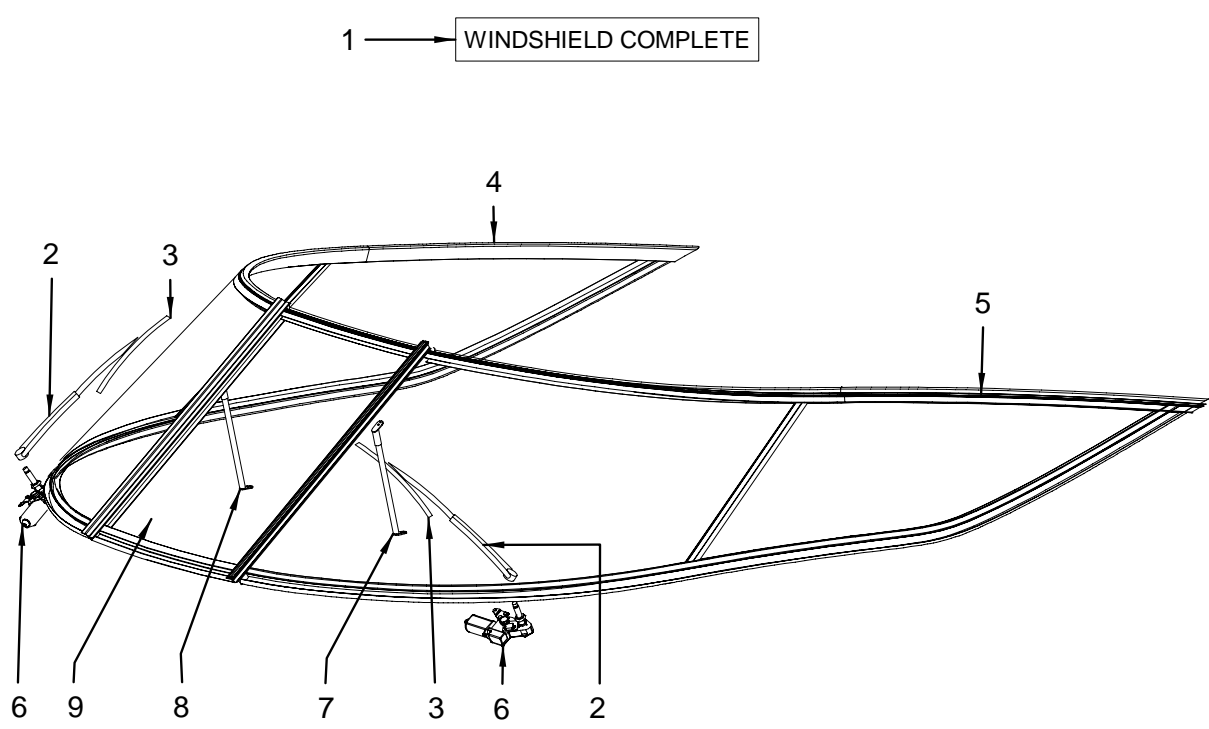
17 802819 HATCH, ALL HATCH SIZES PIVOT LATCH ADAPTER  
(HULL# 1201 -> 1330)  
(PART OF 1688217)

18 802801 HANDLE, DECK HATCH LATCHING  
(HULL# 1201 -> 1330)  
(PART OF 1688217)

19 802827 HATCH, HATCH HANDLE  
(HULL# 1201 -> 1330)  
(PART OF 1688217)

20 802793 HATCH, SCREW 3/8" PLEX  
(HULL# 1201 -> 1330)  
(PART OF 1688217)

EXTERIOR (WINDSHIELD)



**EXTERIOR (WINDSHIELD)**

- 1 1839613 W/S, 310DA-07 ALUM CMLPT W/SNP CLIP TRK
- 1880558 W/S, 310DA-07 ALUM SCREW CVR  
(PART OF 1839613)
- 1880559 W/S, 310DA-07 ALUM HDWR KIT  
(PART OF 1839613)
- 1839614 W/S, 310DA-07 SS CMLPT W/SNP  
(WINDSHIELD W/ STAINLESS STEEL FRAME)
- 1880507 W/S, 310DA-07 SS SCREW CVR  
(PART OF 1839614)
- 1880508 W/S, 310DA-07 SS HDWR KIT  
(PART OF 1839614)
- 1785544 VINYL, W/S GASKET 2005
- 2 1748549 WIPER ARM, 15"-19" BLACK (AM)
- 3 1749058 WIPER BLADE, 20" FLEX BLK (AM)
- 4 1839616 W/S, 310DA-07 ALUM STB FRNT/WNG W/SNP CLK TRK  
(PART OF 1839613)
- 1880504 W/S, 310DA-07 SS STB FRNT/WNG W/SNP  
(PART OF 1839614)
- 5 1839615 W/S, 310DA-07 ALUM PRT FRNT/WNG W/SNP CLK TRK  
(PART OF 1839613)
- 1880505 W/S, 310DA-07 SS PRT FRNT/WNG W/SNP  
(PART OF 1839614)
- 6 1748562 WIPER MOTOR, 85 DEG (AM)
- 1774618 HARNESS, MOTOR AM WIPER 6" PIGTAIL W/CONN
- 7 1846672 SUPPORT, W/S 310DA-07 PRT
- 8 1846673 SUPPORT, W/S 310DA-07 STB
- 9 1839617 W/S, 310DA-07 ALUM DOOR W/SNP CLK TRK W/HDWR  
(PART OF 1839613)
- 1880506 W/S, 310DA-07 SS CTR W/SNP  
(PART OF 1839614)

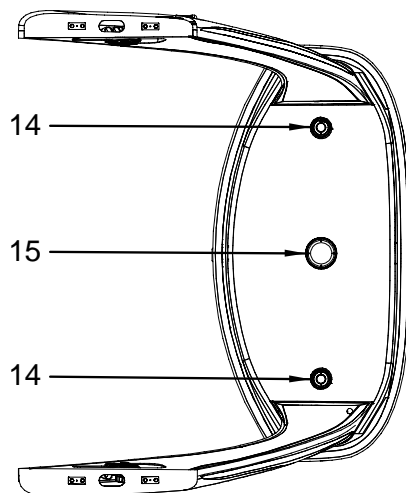
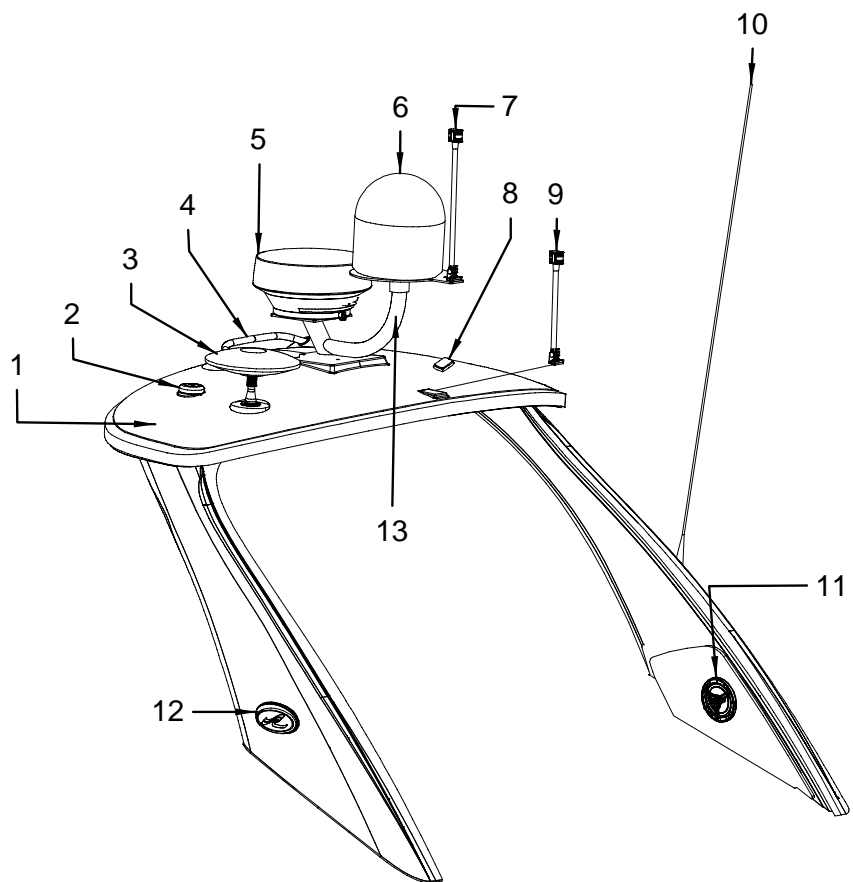
**DECALS**

- 1750454 DECAL, SEA RAY OWNERS CLUB (NBOA) RV
- 1791388 DECAL, MERCURY CERTIFIED INSTALLER
- 1806416 DECAL, SIRIUS "NOW PLAYING INSIDE"
- 1808431 DECAL, SIRIUS ACTIVATION ORNG/BLUE 6 MONTH

**NOT SHOWN**

- 1049204 TAPE, FOAM SGL FACE BLK VINYL 1/4"X 1/4"

EXTERIOR (SPOILER)





## EXTERIOR (SPOILER)

- 1 1839551 FBRGLS PART, 310DA-07 SPOILER  
 2 1800496 GPS, RAYSTAR RS125 SENSOR NMEA & SEATALK  
 (RAYMARINE - C80 CHART PLOTTER / GPS)  
 (RAYMARINE C80 CHART PLOTTER / GPS / RADAR)  
 788711 MOUNT, ANTENNA DECK GPS SS  
 (RAYMARINE - C80 CHART PLOTTER / GPS)  
 (RAYMARINE C80 CHART PLOTTER / GPS / RADAR)  
 822619 BUSHING, WATER TIGHT 1.25"OD  
 (RAYMARINE - C80 CHART PLOTTER / GPS)  
 (RAYMARINE C80 CHART PLOTTER / GPS / RADAR)  
 881383 GASKET, GLOMAX TV GPS MOUNT BLK  
 (RAYMARINE - C80 CHART PLOTTER / GPS)  
 (RAYMARINE C80 CHART PLOTTER / GPS / RADAR)  
 3 792325 ANTENNA, TV GLOMAX ASSY W/CONN  
 (TV 20" FLATSCREEN / DVD/ GAMING PORT/ SALON)  
 1803748 MOUNT, ANTENNA TV GLOMAX ASSY W/CONN  
 (PART OF 792325)  
 4 1846694 RAIL, GRAB 1"OD X19 5/8"W/48.5DEG 304SS WHT  
 5 1839231 RADAR, RAYMARINE 2KW 18" RADOME N/CABLE  
 (RAYMARINE C80 CHART PLOTTER / GPS / RADAR)  
 1875619 EXTENSION, CABLE 5M RAYDOME 90DEG  
 (RAYMARINE C80 CHART PLOTTER / GPS / RADAR)  
 1879739 CABLE, RAYDOME 5M W/90DEG CONN  
 (RAYMARINE C80 CHART PLOTTER / GPS / RADAR)  
 1882099 SUPPORT, ALUM NRTHSTR/RAYMAR RADAR WHT  
 (RAYMARINE C80 CHART PLOTTER / GPS / RADAR)  
 1796308 RADAR, NRTHSTR RADOME 2KW CMPLT  
 (RADAR / GPS / CHARTPLOTTER NORTHSTAR 6000I)  
 1819304 SUPPOT, ALUM NRTHSTR RADAR WHT  
 (RADAR / GPS / CHARTPLOTTER NORTHSTAR 6000I)  
 1807867 HARNESS, RADAR CBL EXT 16'NRTHSTR 6000I 2KW  
 (RADAR / GPS / CHARTPLOTTER NORTHSTAR 6000I)  
 1795967 RELAY, NRTHSTR RADAR KIT  
 (RADAR / GPS / CHARTPLOTTER NORTHSTAR 6000I)  
 6 1907407 ANTENNA, DSS TRAC VISION M3 ST W/KVH MOBL REC  
 (DSS SATELLITE TV.SYS. KVH-M3 - 120V/60 ONLY)  
 1838167 CABLE, S-VIDEO 12'  
 (DSS SATELLITE TV.SYS. KVH-M3 - 120V/60 ONLY)  
 198945 VELCRO, DUAL LOCK CLR 2"X 50YD W/ADH BACK  
 (DSS SATELLITE TV.SYS. KVH-M3 - 120V/60 ONLY)  
 1909175 VIDEO, DIGITAL AUDIO MODULATOR TRACVISION M3  
 (DSS SATELLITE TV.SYS. KVH-M3 - 120V/60 ONLY)  
 7 1803549 LIGHT, NAV MASTHEAD COMBO 30" FOLD-DOWN  
 (DSS SATELLITE TV.SYS. KVH-M3 - 120V/60 ONLY)  
 291203 BULB, MASTHEAD NAV LIGHT 24V/10W  
 (REPLACEMENT BULB FOR 1803549)  
 646356 BULB, DBL END 12V FOR #0256313/794826  
 (REPLACEMENT BULB FOR 1803549)  
 8 1890164 ANTENNA, SHAKESPEARE SIRIUS SAT RADIO RV1  
 9 1887390 LIGHT, NAV MASTHEAD COMBO 12 13/16" W/24"WIRE  
 (STANDARD LIGHT)  
 (RAYMARINE C80 CHART PLOTTER / GPS / RADAR WITH DSS  
 SATELLITE TV.SYS. KVH-M3 - 120V/60 ONLY)  
 (RADAR / GPS / CHARTPLOTTER NORTHSTAR 6000I WITH DSS  
 SATELLITE TV.SYS. KVH-M3 - 120V/60 ONLY)  
 291203 BULB, MASTHEAD NAV LIGHT 24V/10W  
 (REPLACEMENT BULB FOR 1754418 & 1887390)  
 646356 BULB, DBL END 12V FOR #0256313/794826  
 (REPLACEMENT BULB FOR 1754418 & 1887390)  
 1805560 LIGHT, NAV MASTHEAD COMBO 24" FOLD-DOWN  
 (RADAR / GPS / CHARTPLOTTER NORTHSTAR 6000I)  
 (RAYMARINE C80 CHART PLOTTER / GPS / RADAR)  
 (NORTHSTAR 6100I RADAR / GPS / CHARTPLOTTER)  
 659466 BULB, DBL END CLEAR 12V  
 (REPLACEMENT BULB FOR 1805560)  
 10 1911925 ANTENNA, 8' GLOMAX VHF CHR 14.5'COAX W/CONN  
 (HULL# 1297 -> UP)  
 1286913 ANTENNA, 8' VALOR 4000 W/O MNT W/O CONN  
 (HULL# 1201 -> 1296)  
 1481258 MOUNT, RATCHET VHF SS W/GROMET & GASKET  
 11 1690557 SPEAKER, COAXIAL 6.5" N/CVR  
 (STANDARD SPEAKER)  
 1854215 SPEAKER, JL COMPONENT  
 (PREMIUM COCKPIT SOUND SYSTEM - 12 VOLT)  
 (SUBCOMPONENTS NOT SOLD SEPARATELY AT THIS TIME)  
 12 1443225 EMBLEM, S/R WAVE 8" OVAL CHR TRNSM  
 13 1849334 SUPPORT, ALUM SATELLITE KVH M3/JRC RADAR WHT  
 (DSS SATELLITE TV.SYS. KVH-M3 - 120V/60 ONLY)  
 14 1771019 LIGHT, NAV STERN FLUSH MT CKPT W/CONN  
 1200369 BULB, REPL FOR #0137380/#0783670  
 (REPLACEMENT BULB FOR 1771019)  
 15 137349 ACCESS PLATE, PLAS CVR 5" WHT  
 1523901 ACCESS PLATE, PLAS SPOILER 8.75" ARW  
 (RADAR / GPS / CHARTPLOTTER NORTHSTAR 6000I)  
 (NORTHSTAR 6100I RADAR / GPS / CHARTPLOTTER)

## HARNESSES

1801719 HARNESS, 290DA-06 SPOILER

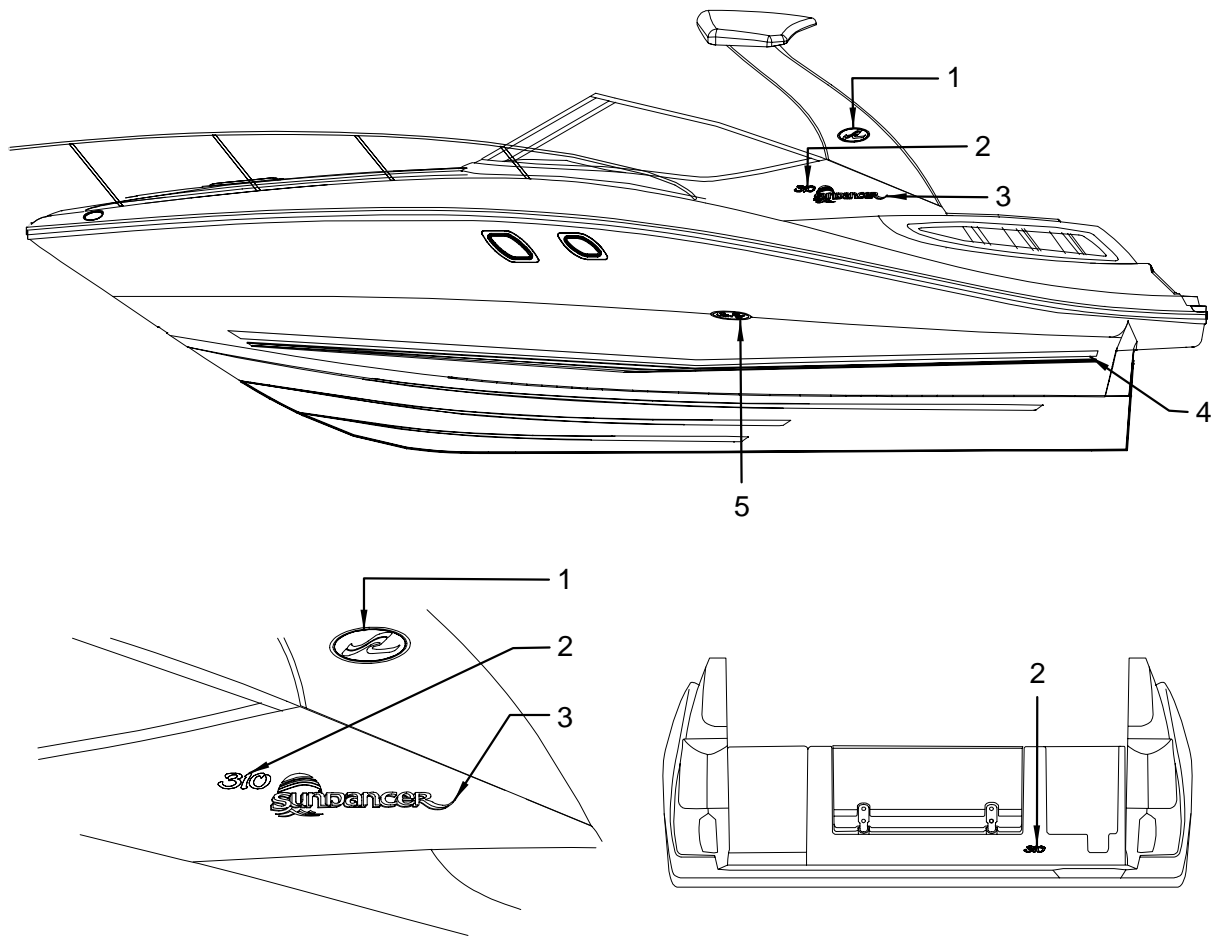
## LABELS

1765879 LABEL, DANGER DO NOT CLIMB/STORE ON HARDTOP  
 1688700 LABEL, RCA DSS UNIT  
 (DSS SATELLITE TV.SYS. KVH-M3 - 120V/60 ONLY)

## NOT SHOWN

1220441 TAPE, FOAM SGL FACE WHT VINYL 3/8"X 72YD  
 1625078 PLATE, SS SPOILER MNT W/2STUD 1/2"X3.5"  
 728014 TRACK, VINYL AWNING WHITE "FLEX-A-RAIL" 7.5"

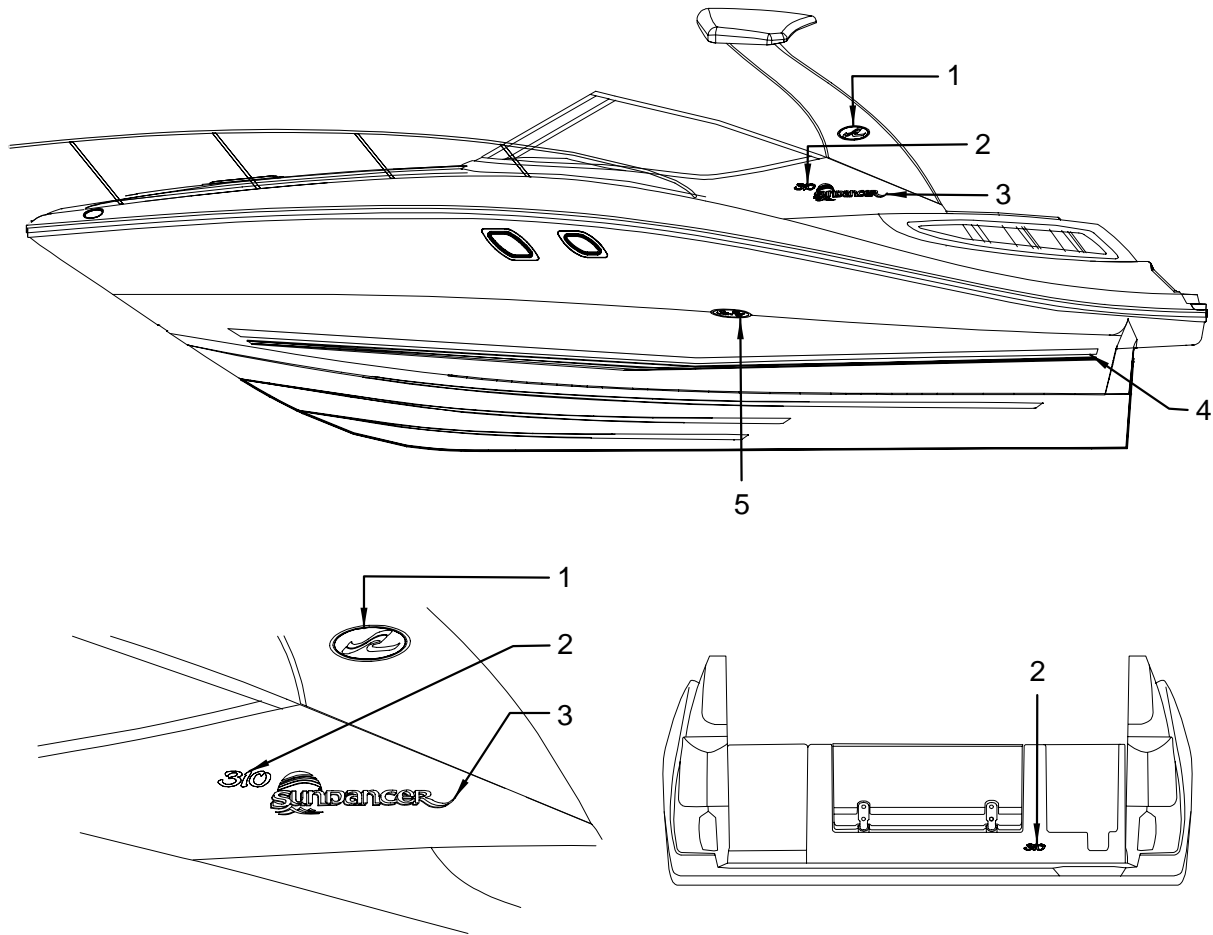
EXTERIOR (GRAPHICS) NO TWO-TONE BLUE



EXTERIOR (GRAPHICS) NO TWO-TONE BLUE

- 1 1443225 EMBLEM, S/R WAVE 8" OVAL CHR TRNSM
- 2 1529254 EMBLEM, MODEL DESG 310 URETHANE BLK W/CHR  
1675057 EMBLEM, MODEL DESG 335 URETHANE BLK/CHR  
(**"335DA" MODEL DESIGNATORS**)  
(INTERNATIONAL ONLY)
- 3 1756555 DECAL, "SUNDANCER" DKBL/SLVR MET
- 4 1756549 TAPE, M/S 4"W/1"VOID DKBL/SLVR MET
- 5 1443183 EMBLEM, "SEA RAY" SCRIPT HULL LOGO CHR 13"

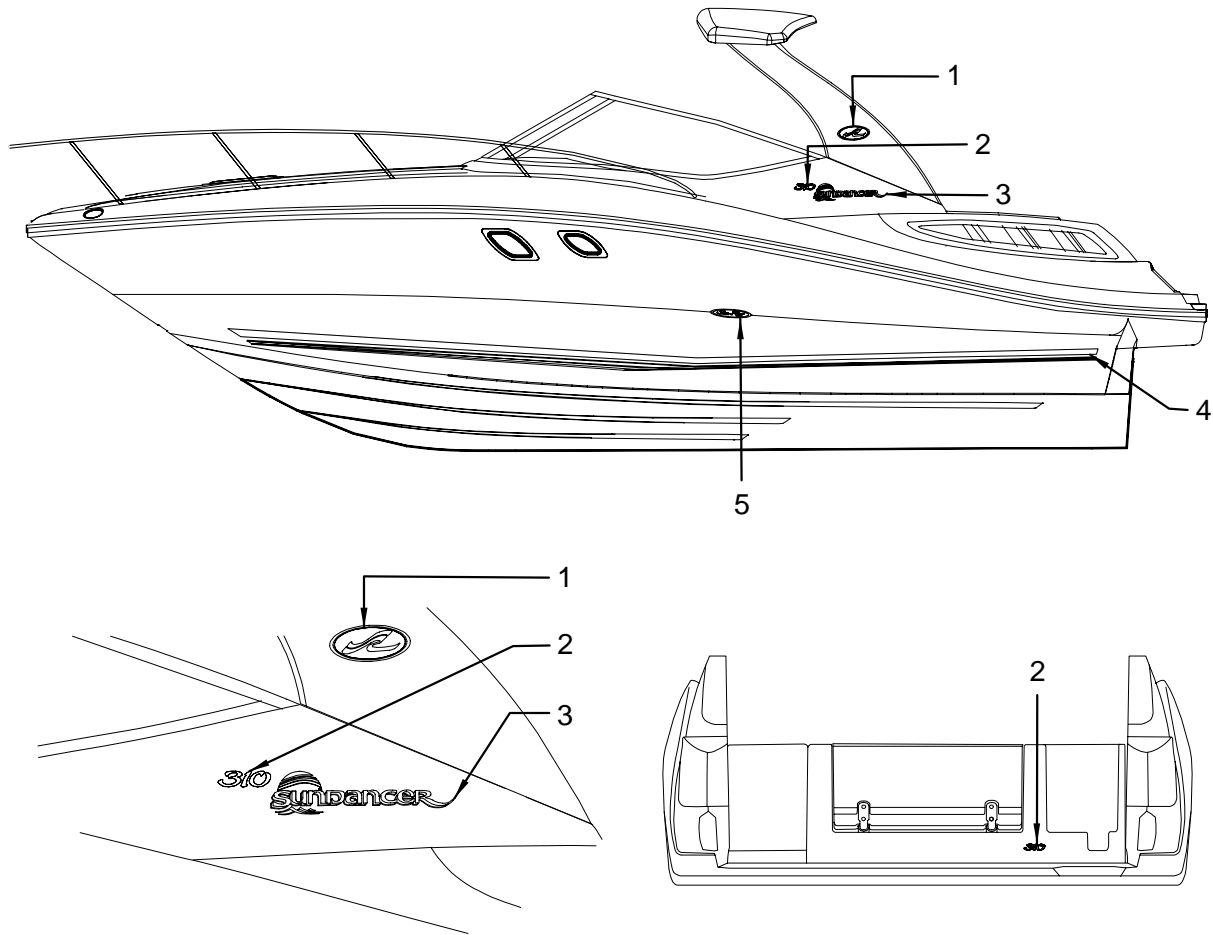
**EXTERIOR (GRAPHICS) NO TWO-TONE BLACK**



**EXTERIOR (GRAPHICS) NO TWO-TONE BLACK**

- 1 1443225 EMBLEM, S/R WAVE 8" OVAL CHR TRNSM
- 2 1529254 EMBLEM, MODEL DESG 310 URETHANE BLK W/CHR
- 1675057 EMBLEM, MODEL DESG 335 URETHANE BLK/CHR  
("335DA" MODEL DESIGNATORS)  
(INTERNATIONAL ONLY)
- 3 1756554 DECAL, "SUNDANCER" BLK/SLVR MET
- 4 1756548 TAPE, M/S 4"W/1"VOID BLK/SLVR MET
- 5 1443183 EMBLEM, "SEA RAY" SCRIPT HULL LOGO CHR 13"

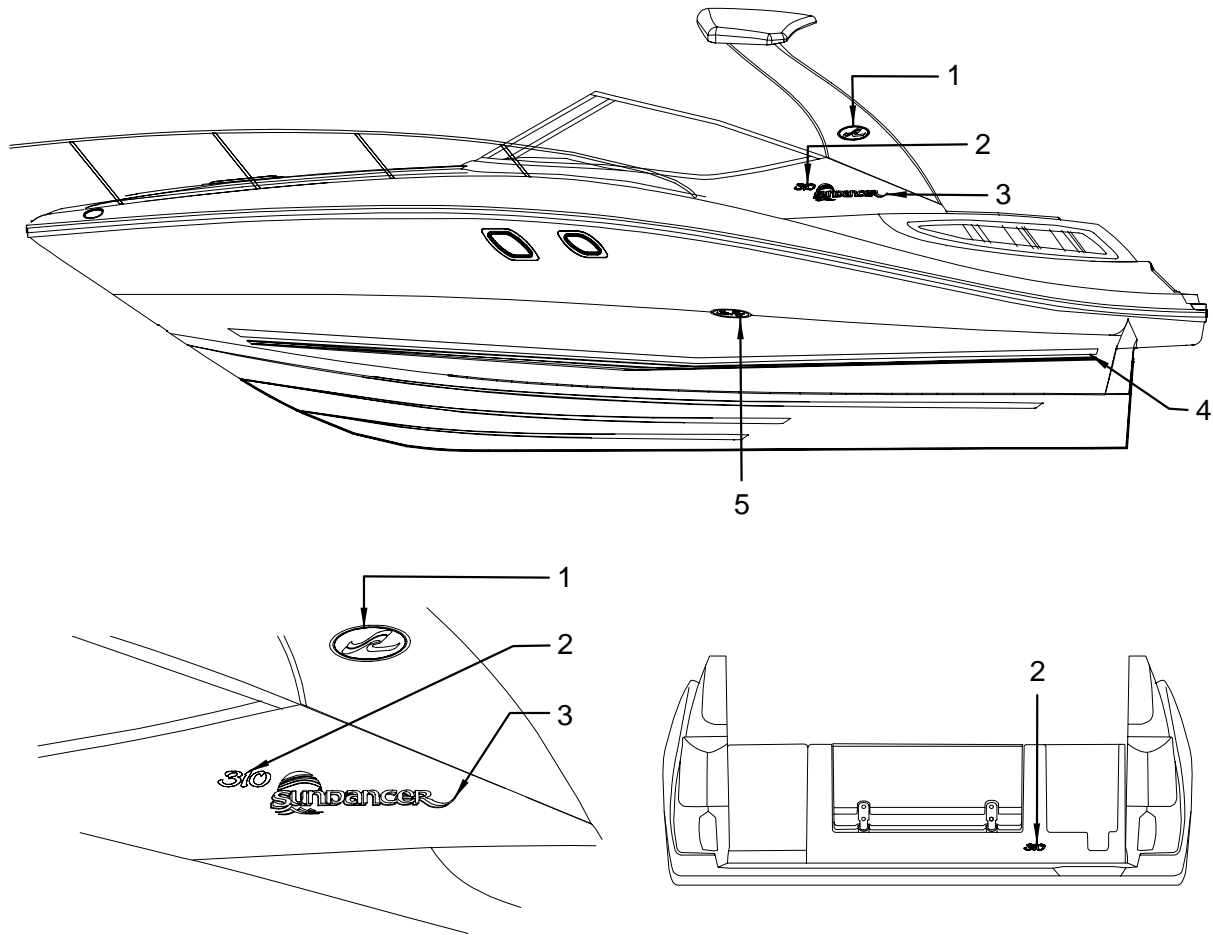
**EXTERIOR (GRAPHICS) TWO-TONE BLUE**



**EXTERIOR (GRAPHICS) TWO-TONE BLUE**

- 1 1443225 EMBLEM, S/R WAVE 8" OVAL CHR TRNSM
- 2 1529254 EMBLEM, MODEL DESG 310 URETHANE BLK W/CHR
- 1675057 EMBLEM, MODEL DESG 335 URETHANE BLK/CHR  
("335DA" MODEL DESIGNATORS)  
(INTERNATIONAL ONLY)
- 3 1756555 DECAL, "SUNDANCER" DKBL/SLVR MET
- 4 1753015 TAPE, SOLID 3" WHT/WELL AMETHYST N/VOID
- 5 1443183 EMBLEM, "SEA RAY" SCRIPT HULL LOGO CHR 13"

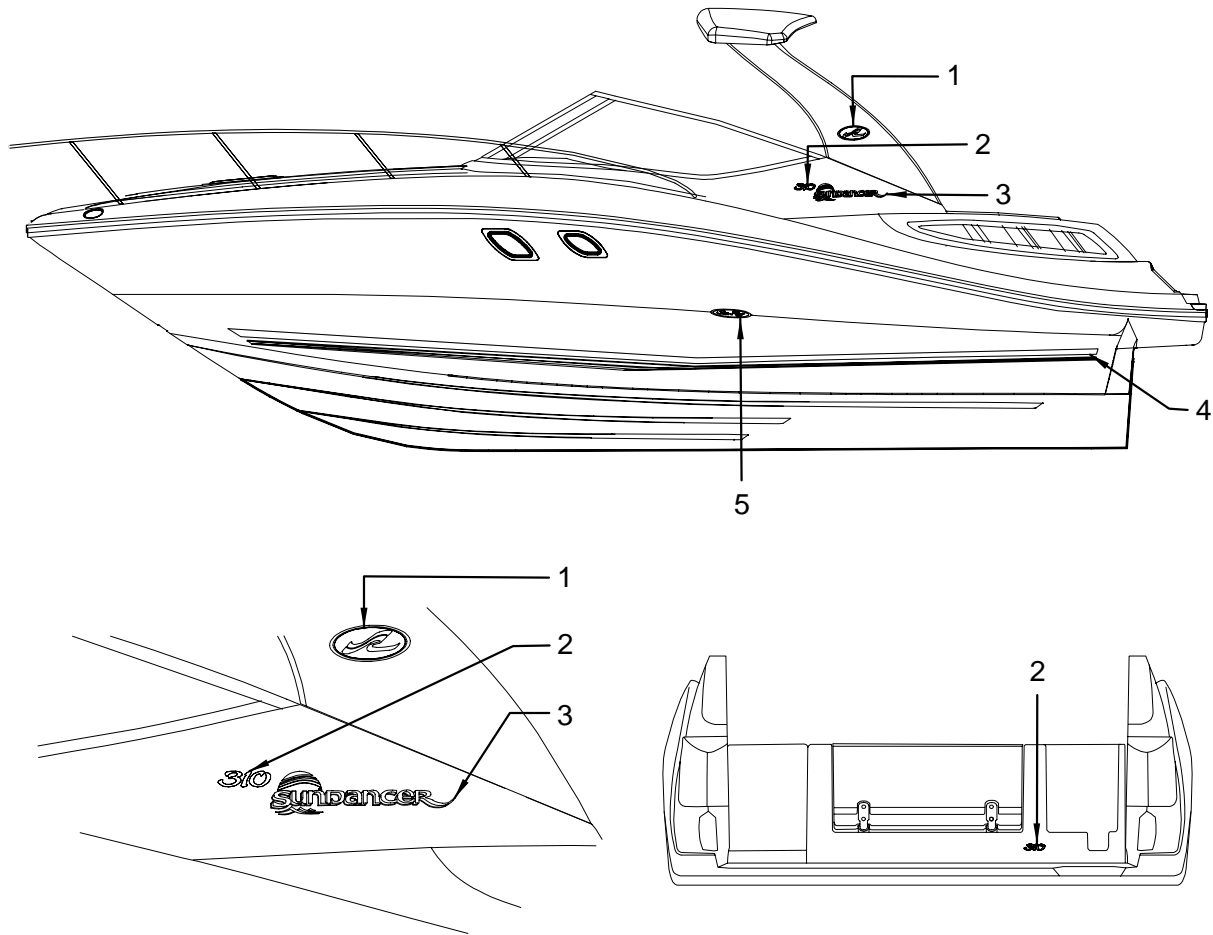
**EXTERIOR (GRAPHICS) TWO-TONE BLACK**



**EXTERIOR (GRAPHICS) TWO-TONE BLACK**

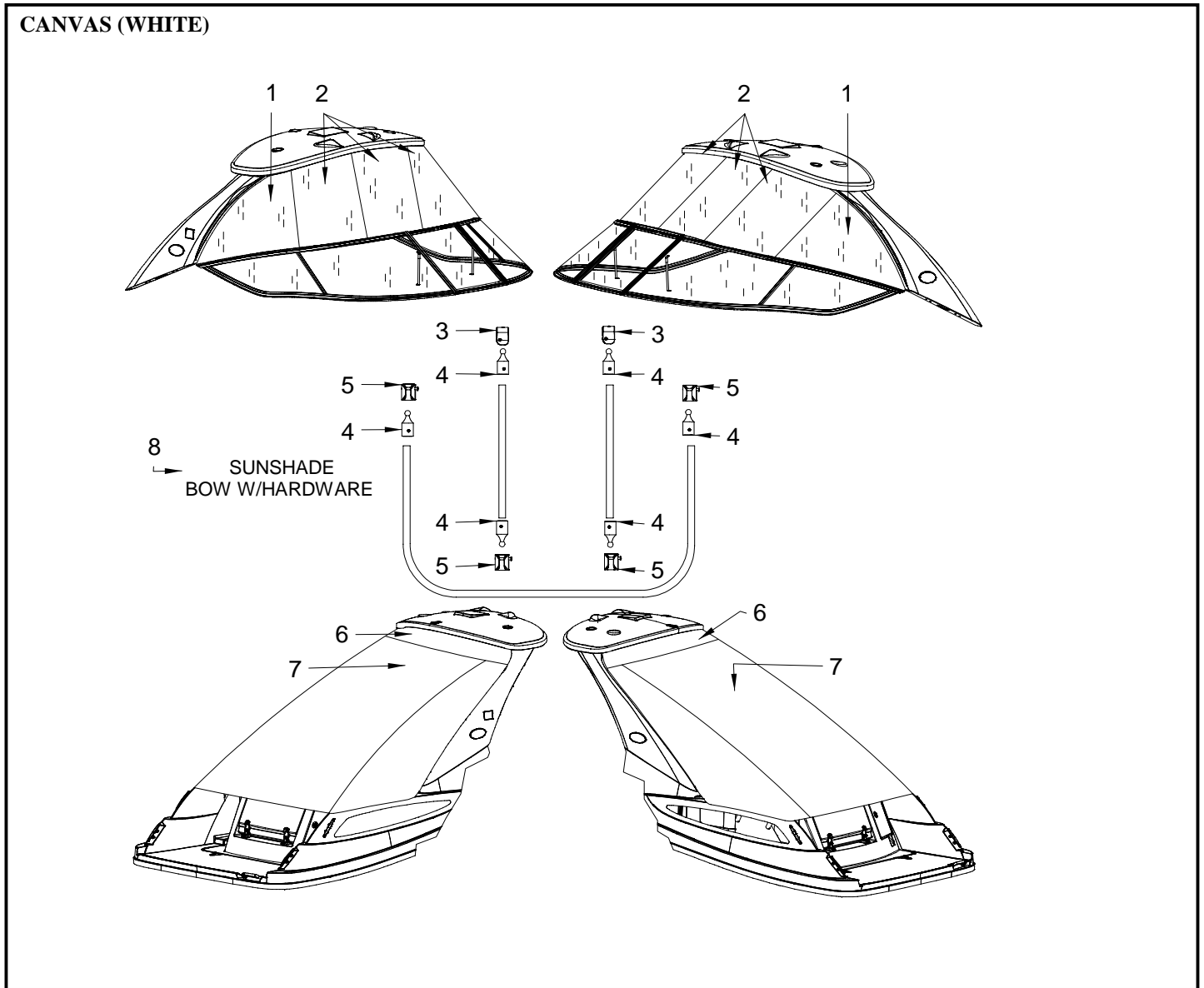
- 1 1443225 EMBLEM, S/R WAVE 8" OVAL CHR TRNSM
- 2 1529254 EMBLEM, MODEL DESG 310 URETHANE BLK W/CHR  
1675057 EMBLEM, MODEL DESG 335 URETHANE BLK/CHR  
(**"335DA" MODEL DESIGNATORS**)  
(INTERNATIONAL ONLY)
- 3 1756554 DECAL, "SUNDANCER" BLK/SLVR MET
- 4 1804765 TAPE, SOLID 3" PRL WHT/BLKMET N/VOID
- 5 1443183 EMBLEM, "SEA RAY" SCRIPT HULL LOGO CHR 13"

**EXTERIOR (GRAPHICS) TWO TONE - PEWTER**



**EXTERIOR (GRAPHICS) TWO TONE - PEWTER**

- 1 1443225 EMBLEM, S/R WAVE 8" OVAL CHR TRNSM
- 2 1529254 EMBLEM, MODEL DESG 310 URETHANE BLK W/CHR  
1675057 EMBLEM, MODEL DESG 335 URETHANE BLK/CHR  
(**"335DA" MODEL DESIGNATORS**)  
(INTERNATIONAL ONLY)
- 3 1756554 DECAL, "SUNDANCER" BLK/SLVR MET
- 4 1804765 TAPE, SOLID 3" PRL WHT/BLKMET N/VOID
- 5 1443183 EMBLEM, "SEA RAY" SCRIPT HULL LOGO CHR 13"



**CANVAS (WHITE)**

- 1 1848531 CANVAS, 310DA-07 SIDE CURT/ALUM W/S WHT
- 1850440 CANVAS, 310DA-07 SIDE CURT/SS W/S WHT  
(WINDSHIELD W/ STAINLESS STEEL FRAME)
- 2 1848532 CANVAS, 310DA-07 VSR/ALUM W/S 3PC CLR/WHT
- 1850443 CANVAS, 310DA-07 VSR/SS W/S 3PC CLR/WHT  
(WINDSHIELD W/ STAINLESS STEEL FRAME)
- 3 1760355 SLIDE, JAW SLIDE BALL/SOCKET TYPE SS
- 4 1760354 CAP, SS EYE END BALL/SOCKET TYPE
- 5 1815410 HINGE, DECK BALL/SOCKET STRAIGHT LRG
- 6 1848529 CANVAS, 310DA-07 SNSHD TOP WHT
- 7 1848530 CANVAS, 310DA-07 SNSHD AFT CURT WHT
- 8 1848969 FRAME, SS 310DA-07 SNSHD TOP CNVS 1"OD X16GA

**STORAGE BAG**

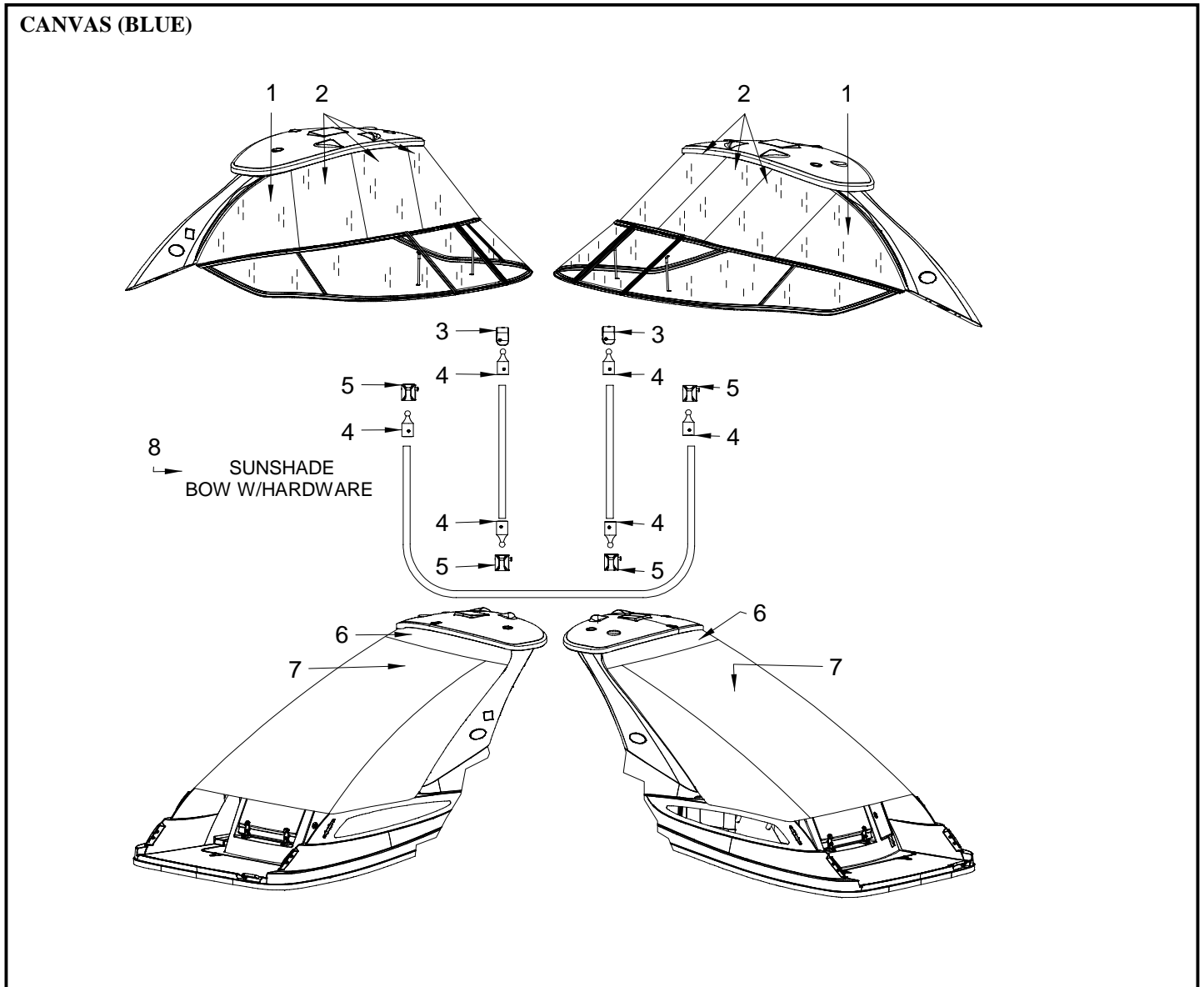
- 788547 CANVAS, STRG BAG 10X60 LRG GREY 95

**COCKPIT COVER**

- 1850031 CANVAS, 310DA-07 CPC/ALUM W/S WHT
- 1850446 CANVAS, 310DA-07 CPC/SS W/S WHT  
(WINDSHIELD W/ STAINLESS STEEL FRAME)
- 1811351 POLE, TONNEAU/CKPT CVR SUPPORT ADJ

**DASH COVER**

- 1896556 CANVAS, 310DA-08 DASH CVR SGL CNTRL CADGRY
- 1896558 CANVAS, 310DA-08 DASH CVR DUAL CNTRL CADGRY



**CANVAS (BLUE)**

- 1 1905980 CANVAS, 310DA-08 SIDE CURT/ALUM W/S MRN MDNT (HULL# 1263-> UP)
- 1905981 CANVAS, 310DA-08 SIDE CURT/SS W/S MRN MDNT (HULL# 1263-> UP)  
(WINDSHIELD W/ STAINLESS STEEL FRAME)
- 2 1905983 CANVAS, 310DA-08 VSR/ALUM W/S 3PC CLR/MRN MDT (HULL# 1263-> UP)
- 1905984 CANVAS, 310DA-08 VSR/SS W/S 3PC CLR/MRN MDNT (HULL# 1263-> UP)  
(WINDSHIELD W/ STAINLESS STEEL FRAME)
- 3 1760355 SLIDE, JAW SLIDE BALL/SOCKET TYPE SS
- 4 1760354 CAP, SS EYE END BALL/SOCKET TYPE
- 5 1815410 HINGE, DECK BALL/SOCKET STRAIGHT LRG
- 6 1905966 CANVAS, 310DA-08 SNSHD TOP MRN MDNT (HULL# 1263-> UP)
- 7 1905982 CANVAS, 310DA-08 SNSHD AFT CURT MRN MDNT (HULL# 1263-> UP)
- 8 1848969 FRAME, SS 310DA-07 SNSHD TOP CNVS 1"OD X16GA

**DASH COVER**

- 1896556 CANVAS, 310DA-08 DASH CVR SGL CNTRL CADGRY
- 1896558 CANVAS, 310DA-08 DASH CVR DUAL CNTRL CADGRY

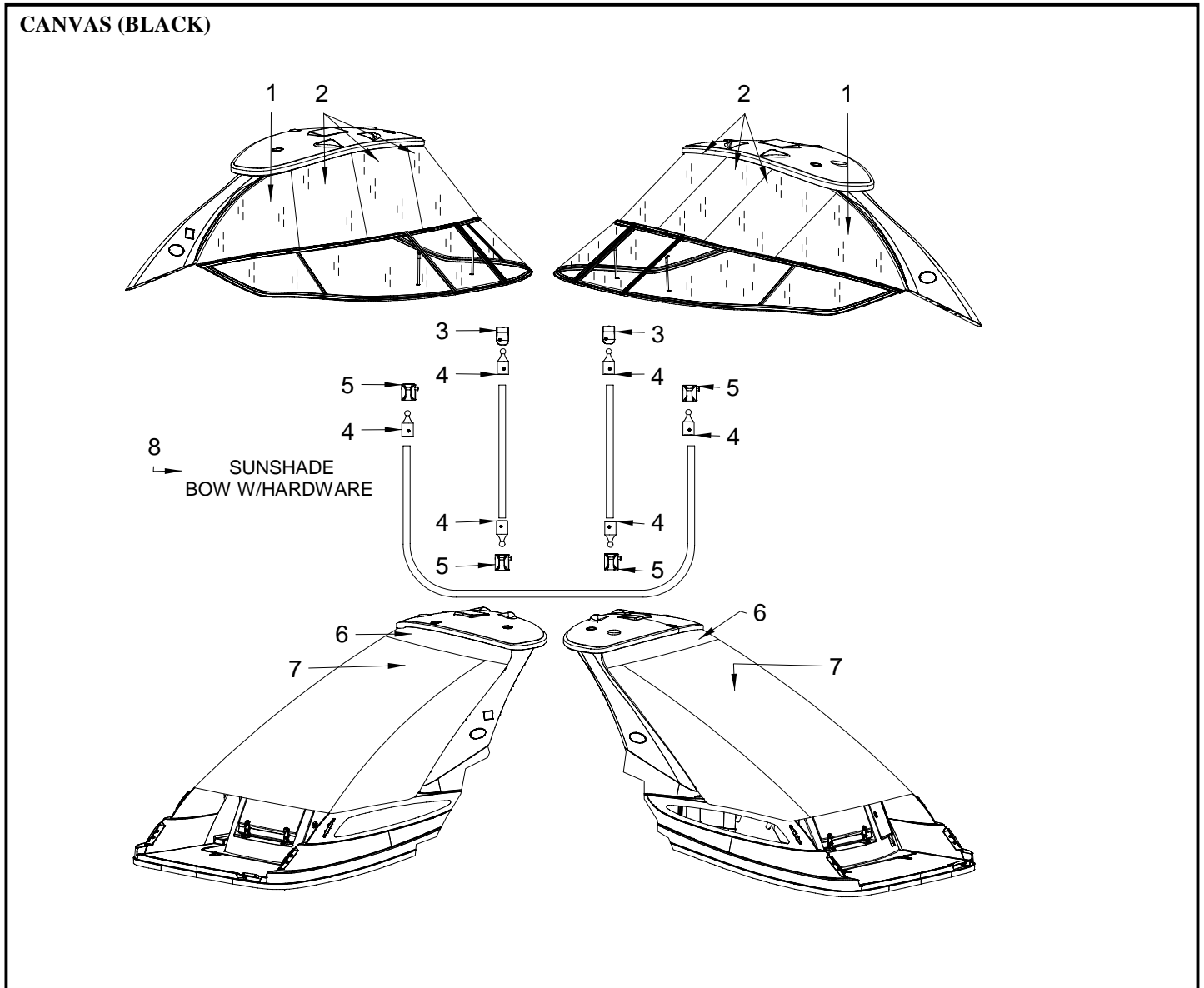
**STORAGE BAG**

- 788547 CANVAS, STRG BAG 10X60 LRG GREY 95

**COCKPIT COVER**

- 1905985 CANVAS, 310DA-08 CPC/ALUM W/S MRN MDNT (HULL# 1263-> UP)
- 1905986 CANVAS, 310DA-08 CPC/SS W/S MRN MDNT (HULL# 1263-> UP)  
(WINDSHIELD W/ STAINLESS STEEL FRAME)
- 1811351 POLE, TONNEAU/CKPT CVR SUPPORT ADJ





**CANVAS (BLACK)**

- 1 1848523 CANVAS, 310DA-07 SIDE CURT/ALUM W/S BLK
- 1850437 CANVAS, 310DA-07 SIDE CURT/SS W/S BLK  
(WINDSHIELD W/ STAINLESS STEEL FRAME)
- 2 1848524 CANVAS, 310DA-07 VSR/ALUM W/S 3PC CLR/BLK
- 1850441 CANVAS, 310DA-07 VSR/SS W/S 3PC CLR/BLK  
(WINDSHIELD W/ STAINLESS STEEL FRAME)
- 3 1760355 SLIDE, JAW SLIDE BALL/SOCKET TYPE SS
- 4 1760354 CAP, SS EYE END BALL/SOCKET TYPE
- 5 1815410 HINGE, DECK BALL/SOCKET STRAIGHT LRG
- 6 1848521 CANVAS, 310DA-07 SNSHD TOP BLK
- 7 1848522 CANVAS, 310DA-07 SNSHD AFT CURT BLK
- 8 1848969 FRAME, SS 310DA-07 SNSHD TOP CNVS 1"OD X16GA

**STORAGE BAG**

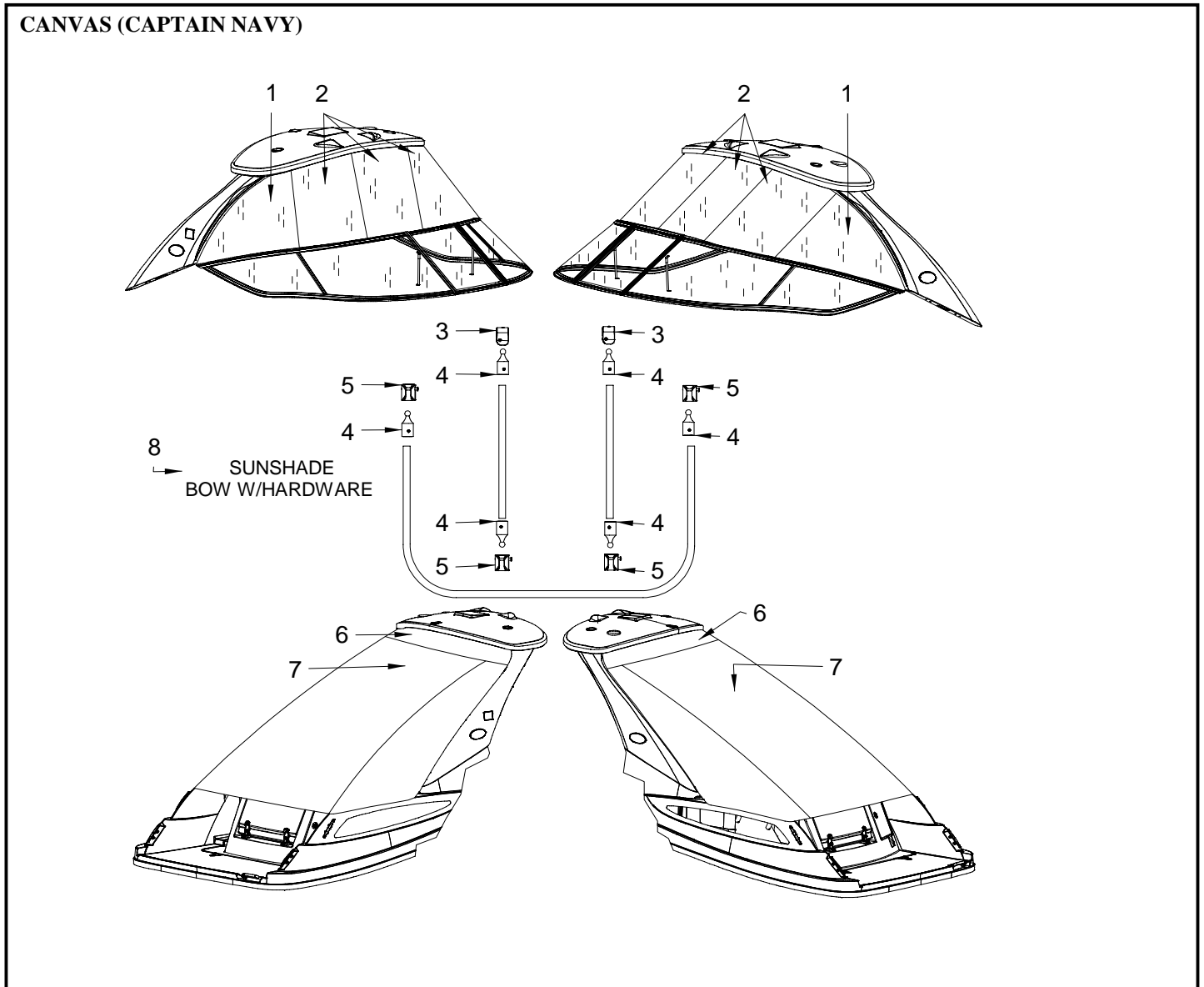
- 788547 CANVAS, STRG BAG 10X60 LRG GREY 95

**COCKPIT COVER**

- 1850029 CANVAS, 310DA-07 CPC/ALUM W/S BLK
- 1850444 CANVAS, 310DA-07 CPC/SS W/S BLK  
(WINDSHIELD W/ STAINLESS STEEL FRAME)
- 1811351 POLE, TONNEAU/CKPT CVR SUPPORT ADJ

**DASH COVER**

- 1896556 CANVAS, 310DA-08 DASH CVR SGL CNTRL CADGRY
- 1896558 CANVAS, 310DA-08 DASH CVR DUAL CNTRL CADGRY



**CANVAS (CAPTAIN NAVY)**

- 1 1848527 CANVAS, 310DA-07 SIDE CURT/ALUM W/S CAPT NCVY (HULL# 1201 -> 1262)
- 1850439 CANVAS, 310DA-07 SIDE CURT/SS W/S CAPT NCVY (HULL# 1201 -> 1262)  
(WINDSHIELD W/ STAINLESS STEEL FRAME)
- 2 1848528 CANVAS, 310DA-07 VSR/ALUM W/S 3PC CLR/CAP NCVY (HULL# 1201 -> 1262)
- 1850442 CANVAS, 310DA-07 VSR/SS W/S 3PC CLR/CAPT NCVY (HULL# 1201 -> 1262)  
(WINDSHIELD W/ STAINLESS STEEL FRAME)
- 3 1760355 SLIDE, JAW SLIDE BALL/SOCKET TYPE SS
- 4 1760354 CAP, SS EYE END BALL/SOCKET TYPE
- 5 1815410 HINGE, DECK BALL/SOCKET STRAIGHT LRG
- 6 1848525 CANVAS, 310DA-07 SNSHD TOP CAPT NCVY (HULL# 1201 -> 1262)
- 7 1848526 CANVAS, 310DA-07 SNSHD AFT CURT CAPT NCVY (HULL# 1201 -> 1262)
- 8 1848969 FRAME, SS 310DA-07 SNSHD TOP CNVS 1"OD X16GA

**DASH COVER**

- 1896556 CANVAS, 310DA-08 DASH CVR SGL CNTRL CADGRY
- 1896558 CANVAS, 310DA-08 DASH CVR DUAL CNTRL CADGRY

**STORAGE BAG**

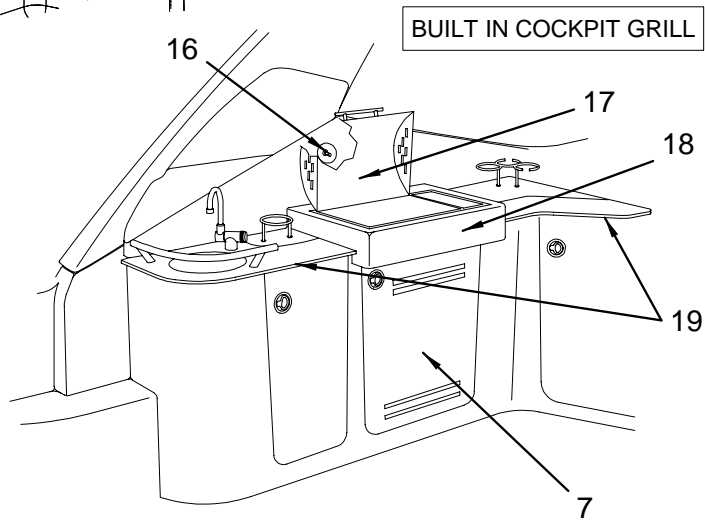
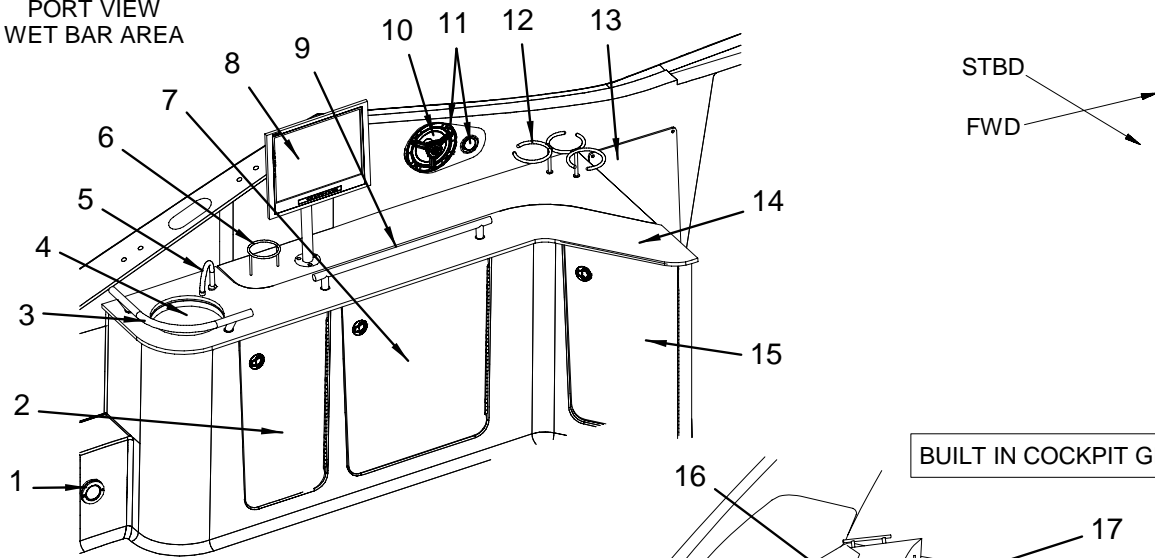
- 788547 CANVAS, STRG BAG 10X60 LRG GREY 95

**COCKPIT COVER**

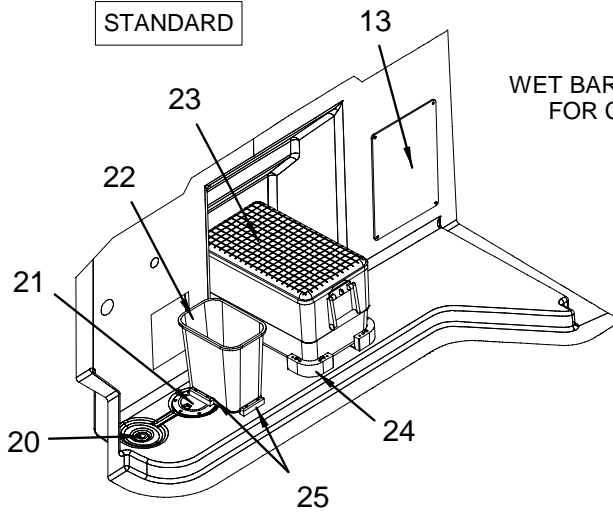
- 1850030 CANVAS, 310DA-07 CPC/ALUM W/S CAPT NCVY (HULL# 1201 -> 1262)
- 1850445 CANVAS, 310DA-07 CPC/SS W/S CAPT NCVY (HULL# 1201 -> 1262)  
(WINDSHIELD W/ STAINLESS STEEL FRAME)
- 1811351 POLE, TONNEAU/CKPT CVR SUPPORT ADJ

COCKPIT (PORT VIEW)

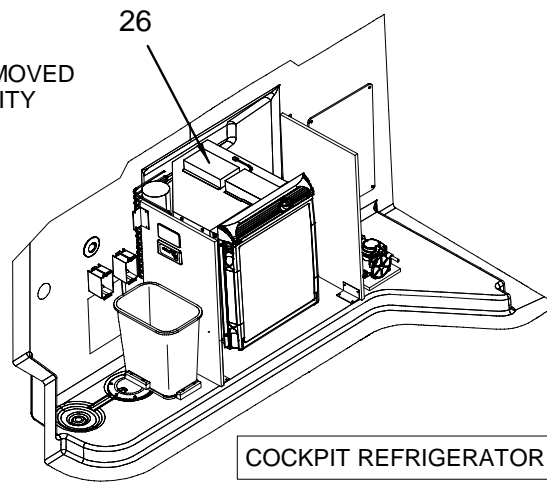
PORT VIEW  
WET BAR AREA



STANDARD



WET BAR REMOVED  
FOR CLARITY

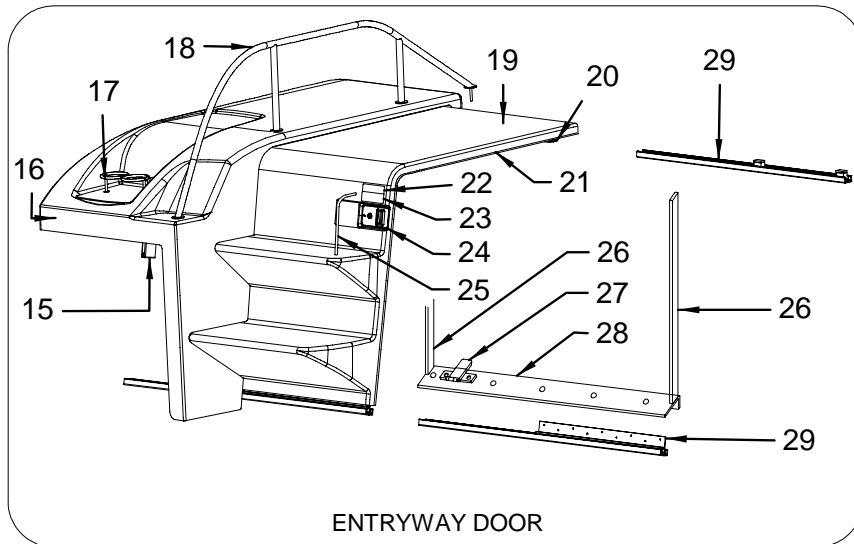
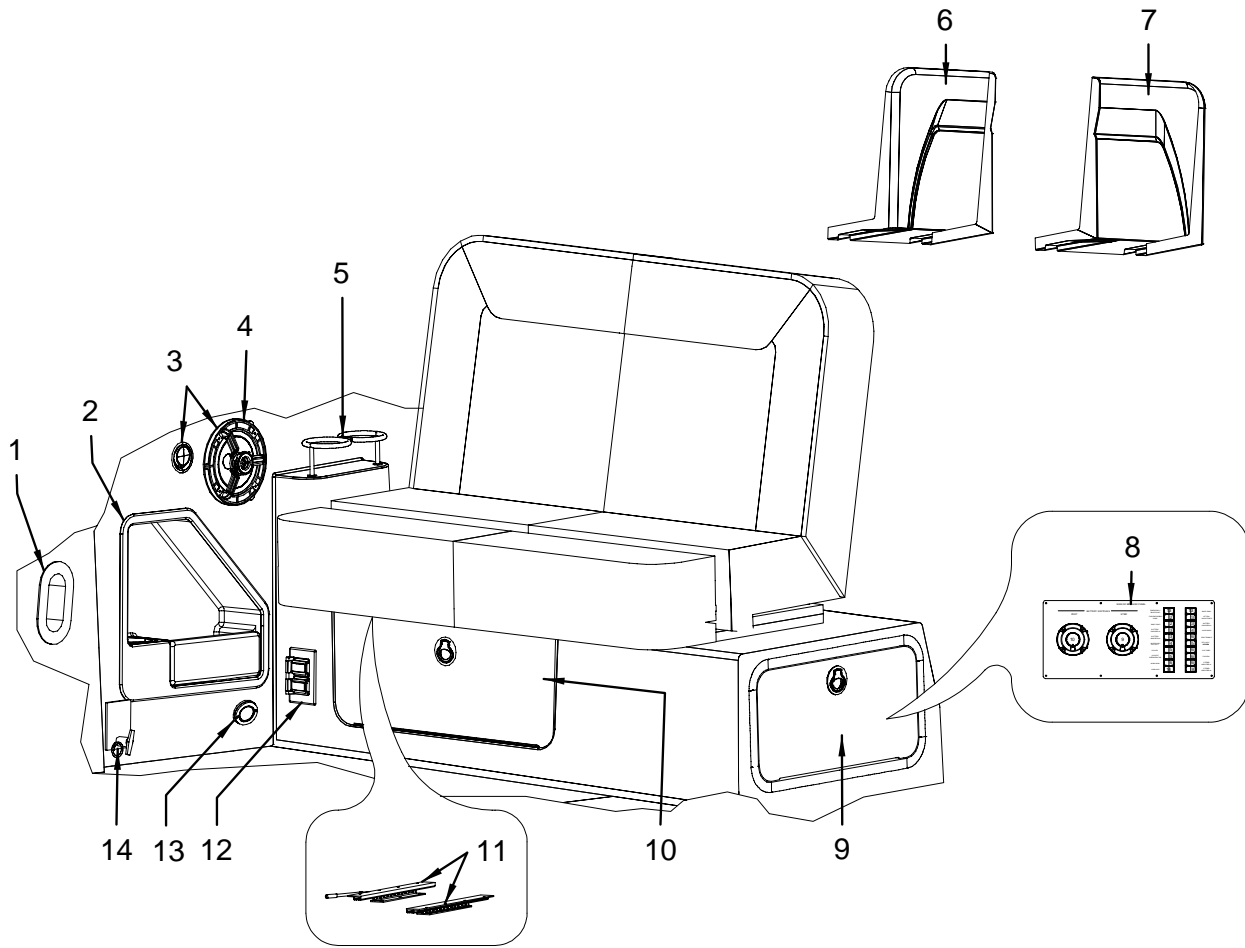


COCKPIT REFRIGERATOR

## COCKPIT (PORT VIEW)

1	1771019	LIGHT, NAV STERN FLUSH MT CKPT W/CONN	17	1848406	GRILL, ELECTRIC BRSHD SS 120V AC W/RND LID (GRILL, COCKPIT - BUILT IN - 120V/60)
	1200369	BULB, REPL FOR #0137380/#0783670 (REPLACEMENT BULB FOR 1771019)		1850430	GRILL, ELECTRIC BRSHD SS 240V AC W/RND LID (GRILL, COCKPIT - BUILT IN - 220V/50)
2	1846510	DOOR, PLEX 1/2"X 12.25"X20"X11"ARW W/HDWR	18	1893071	TOP, CORIAN 310DA-08 GRILL ASSY WINTER WHEAT (GRILL, COCKPIT - BUILT IN - 220V/50)
	1781434	LATCH, FLUSH MNT N/LOCKING SLAM SS (PART OF 1846510)	19	1893070	TOP, CORIAN 310DA-08 CKPT WETBAR W/GRL WNTRWH (GRILL, COCKPIT - BUILT IN - 220V/50)
	1781436	PLATE, FLAT BRKT 2"SHORT SCREW W/HDWR PKG (PART OF 1846510)	20	674143	THRU-HULL, PLAS 3/4"X 90DEG WHT
3	1847840	RAIL, GRAB 7/8"OD X20.5" W/2STNCHN CRVD 304SS	21	983692	ACCESS PLATE, POLYPROP W/ O-RING 4" WHT
4	1903219	SINK, SS BRSHD RND 10.5"DIA X 4.25"DEEP (HULL# 1282 -> UP)	22	431098	BASKET, TRASH 11 3/8"X 8.25"X 12 1/8" BEIGE
	1756266	SINK, SS RND 10"BRSHD (HULL# 1201 -> 1281)	23	814012	COOLER, 36QT (NOT USED WITH COCKPIT REFRIGERATOR)
	175687	DRAIN, SINK STRAINER 2.5" SS W/5/8"BARB	24	819656	COOLER, TIE DOWN IGLOO (NOT USED WITH COCKPIT REFRIGERATOR)
	1839033	DRAIN, SINK STRAINER BASKET ONLY (PART OF 175687)	25	609883	CLEAT, PLAS 3/4"X 1"X 4" GREY
5	1775010	FAUCET, FOLD DOWN SGL TAP CHR	26	1747061	REFRIGERATOR, 1.7 CU FT 12VDC/110AC (COCKPIT REFRIGERATOR DUAL VOLT-120V/60-12V)
6	1750876	HOLDER, DRINK SS SGL 3" (KING) (NOT USED WITH COCKPIT TV)	1747062	REFRIGERATOR, 1.7 CU FT 12VDC/240V (COCKPIT REFRIGERATOR DUAL VOLT-220V/50-12V)	
7	1846508	DOOR, PLEX 1/2"X 20 3/8"X24 3/8"ARW W/HDWR (STANDARD DOOR)	1738813	LATCH, COVER PLATE FOR TRAVEL LATCH (PART OF 1747061 & 1747062)	
	1846509	DOOR, PLEX 1/2"X 20 3/8"X24 3/8"ARW W/SLOTS (DOOR WITH COCKPIT REFRIGERATOR)	1738814	LATCH, TRAVEL LATCH SPRING (PART OF 1747061 & 1747062)	
	1848110	DOOR, PLEX 1/2"X 20 3/8"X22 3/8"ARW W/GRILL (DOOR WITH BUILT IN COCKPIT GRILL)	1738816	LATCH, TRAVEL PLATE (PART OF 1747061 & 1747062)	
	1848111	DOOR, PLEX 1/2"X 20 3/8"X22 3/8"ARW W/GRL/SLT (DOOR WITH COCKPIT REFRIGERATOR AND BUILT IN COCKPIT GRILL)		<b>BRACKETS</b>	
	1781434	LATCH, FLUSH MNT N/LOCKING SLAM SS (PART OF 1846508, 1846509, 1848110 & 1848111)	836007	BRACKET, ALUM 1.5"X 1.5"X 3" 3/16"HOLES	
	1781436	PLATE, FLAT BRKT 2"SHORT SCREW W/HDWR PKG (PART OF 1846508, 1846509, 1848110 & 1848111)	836122	BRACKET, PVC 1.5"X 1.5"X 3" 3/16"HOLES	
8	1852692	TELEVISION, 15"LG LCD HDTV BLK W/BTM SPKR (TV 15" FLATSCREEN W/ REMOTE DVD - COCKPIT)	835850	BRACKET, ALUM 1"X 1"X 1" 3/16"HOLES	
	1872710	REMOTE, TV 15"LG LCD HDTV BLK W/BTM SPKR (REMOTE FOR 1852692)		<b>LABELS</b>	
	1872088	TELEVISION, 15" LG LCD 220V 15C1RB (TV 15" FLATSCREEN W/ REMOTE DVD - COCKPIT WITH PAL T.V. TUNER)	1744745	LABEL, DISPOSAL OF GARBAGE	
	1888310	REMOTE, TV 15" LG LCD 220V 15C1RB (REMOTE FOR 1872088)	1852083	LABEL, CAUTION REMOVE TV COVER (TV 15" FLATSCREEN W/ REMOTE DVD - COCKPIT)	
	1807962	MOUNT, CKPT TV POST 18.5" (TV 15" FLATSCREEN W/ REMOTE DVD - COCKPIT)	1852096	LABEL, WARNING REMOVE HELM TV (TV 15" FLATSCREEN W/ REMOTE DVD - COCKPIT)	
	1838350	SCREW, MACHINE M4 X 10MM PPH SS (TV 15" FLATSCREEN W/ REMOTE DVD - COCKPIT)		<b>NOT SHOWN</b>	
	1807963	BASE, MOUNT CKPT TV (TV 15" FLATSCREEN W/ REMOTE DVD - COCKPIT)	137349	ACCESS PLATE, PLAS CVR 5" WHT	
	1803007	VIDEO EQUIPMENT, REMOTE GAMING SYS INPUT PNL (TV 15" FLATSCREEN W/ REMOTE DVD - COCKPIT)	1686699	PLATE, HDPE 320DA-02 STBD ACCESS	
	1756959	EXTENSION, CABLE AV 25' RCA W/MALE CONN (TV 15" FLATSCREEN W/ REMOTE DVD - COCKPIT)			
	1758576	CABLE, RCA AUDIO EFX-2 "Y" ADAPTER (TV 15" FLATSCREEN W/ REMOTE DVD - COCKPIT)			
	1838716	HARNES, 310DA-07 TV/DVD 30" (TV 15" FLATSCREEN W/ REMOTE DVD - COCKPIT)			
	1787507	RECEPTACLE, DUPLEX BRN 15A LVT (TV 15" FLATSCREEN W/ REMOTE DVD - COCKPIT)			
	1787508	COVER PLATE, SGL DUPLEX RECEPT BRN LVT (TV 15" FLATSCREEN W/ REMOTE DVD - COCKPIT)			
	627737	BOX, RECEPTACLE/SWITCH PVC 1-GANG DEEP (TV 15" FLATSCREEN W/ REMOTE DVD - COCKPIT)			
	876458	COVER PLATE, CABLE TV WEATHERPROOF OUTLET BLK (TV 15" FLATSCREEN W/ REMOTE DVD - COCKPIT)			
	695957	SPLITTER, 2-WAY HYBRID TV/SPLITTER COMBINER (TV 15" FLATSCREEN W/ REMOTE DVD - COCKPIT)			
	1598051	GROMMET, PLAS FLANGE/INSERT 2" WHITE (TV 15" FLATSCREEN W/ REMOTE DVD - COCKPIT)			
9	1794052	RAIL, GRAB 7/8"OD X24 5/8"STRAIGHT 304SS			
10	1690557	SPEAKER, COAXIAL 6.5" N/CVR (STANDARD SPEAKER)			
11	1854215	SPEAKER, JL COMPONENT (PREMIUM COCKPIT SOUND SYSTEM - 12 VOLT) (SUBCOMPONENTS NOT SOLD SEPARATELY AT THIS TIME)			
12	1803696	HOLDER, BOTTLE SS 3-RING 4" (KING)			
13	1734122	COVER, HDPE 420DA-03 CKPT PLATES 12"X 18"			
14	1893069	TOP, CORIAN 310DA-08 CKPT WETBAR WINTER WHEAT (STANDARD TOP)			
15	1847972	DOOR, PLEX 1/2"X 14.5"X13.75"X24.5"ARW W/HDWR			
	1781434	LATCH, FLUSH MNT N/LOCKING SLAM SS (PART OF 1847972)			
	1781436	PLATE, FLAT BRKT 2"SHORT SCREW W/HDWR PKG (PART OF 1847972)			
	855809	ROPE, DOCKLINE STRAP WHT W/HDWR (SHORT STYLE)			
16	1850431	STOP, HDPE 3/4"X 1"GRILL CNTRSNK ARW (GRILL, COCKPIT - BUILT IN - 120V/60) (GRILL, COCKPIT - BUILT IN - 220V/50)			

COCKPIT (STARBOARD VIEW AND ENTRY DOOR)



ENTRYWAY DOOR

## COCKPIT (STARBOARD VIEW AND ENTRY DOOR)

1	957092	A/C COMP, HOSE RING 5" OBLONG
2	1601897	BOX, V/F CKPT HELM STRG ARW W/FRONT PNL
	1812917	HOLDER, DRINK SS 4"X 3" MUG SZ PLSHD RIM
3	1854215	SPEAKER, JL COMPONENT (PREMIUM COCKPIT SOUND SYSTEM - 12 VOLT) (SUBCOMPONENTS NOT SOLD SEPARATELY AT THIS TIME)
4	1690557	SPEAKER, COAXIAL 6.5" N/CVR (STANDARD SPEAKER)
5	1750873	HOLDER, DRINK SS 2-RING 3" (KING)
6	1909130	310DA 08,SHELL,H/S STB FBRGLS
7	1909131	310DA 08,SHELL,H/S PRT FBRGLS
8	1898659	PANEL, 310/330DA-08 MDC BRKR W/BATT GAS TE (HULL# 1207 -> UP) (GAS ENGINES WITHOUT BOW THRUSTER) (GAS ENGINES WITHOUT BOW & STERN THRUSTERS)
	1897815	PANEL, BLANK:290DA-08 MDC BRKR W/BATT GAS TE (BLANK PANEL FOR 1898659)
	1811759	PANEL, 310DA-07 MDC BRKR W/BATT GAS TE (HULL# 1201 -> 1206) (GAS ENGINES WITHOUT BOW THRUSTER) (GAS ENGINES WITHOUT BOW & STERN THRUSTERS)
	1811758	PANEL, BLANK:310DA-07 MDC BRKR W/BATT GAS TE (BLANK PANEL ONLY - FOR 1811759)
	1908203	PANEL, 310/330DA-08 MDC BRKR W/LRG BATT GAS (HULL# 1305 -> UP) (DIESEL ENGINES ONLY) (GAS OR DIESEL ENGINES WITH BOW THRUSTER) (GAS OR DIESEL ENGINES WITH BOW & STERN THRUSTERS)
	1913700	PANEL, BLANK:310DA MDC BRKR W/BATT N/THRSTR (BLANK PANEL ONLY - FOR 1908203)
	1849706	PANEL, 310DA-07 MDC BRKR W/BATT DSL TE (HULL# 1201 -> 1304) (DIESEL ENGINES ONLY) (GAS OR DIESEL ENGINES WITH BOW THRUSTER) (GAS OR DIESEL ENGINES WITH BOW & STERN THRUSTERS)
	1849707	PANEL, BLANK:310DA-07 MDC BRKR W/BATT DSL TE (BLANK PANEL ONLY - FOR 1849706)
9	1846971	DOOR, STRG W/20"X 9.75" ARW FRAME W/SS STHCO
	1781434	LATCH, FLUSH MNT N/LOCKING SLAM SS (PART OF 1846971)
	1781436	PLATE, FLAT BRKT 2"SHORT SCREW W/HDWR PKG (PART OF 1846971)
10	1838342	DOOR, HDPE 1/2"X24.25"X 9.25"ARW W/SS STHCO
	1781434	LATCH, FLUSH MNT N/LOCKING SLAM SS (PART OF 1838342)
	1781436	PLATE, FLAT BRKT 2"SHORT SCREW W/HDWR PKG (PART OF 1838342)
	1838307	STRG BOX, V/F 310DA-07 HELM SEAT STRG TUB
11	1590447	TRACK ASSY, HELMSEAT W/KNOB/CLIP LOPRO 15.5"
12	1900361	COVER PLATE, WTRPROOF RECEPT W/2 DOORS
	145136	RECEPTACLE, CORR RESISTANT GREY
13	1771019	LIGHT, NAV STERN FLUSH MT CKPT W/CONN
	1200369	BULB, REPL FOR #0137380/#0783670
14	1642313	HALON CABLE, MANUAL PULL CABLE 23'
	1837240	FIRE EXT SYS, FE241 (SR) 250CF AUTO/MAN W/CONN
	1642271	FIRE EXT SYS, FM200 250CF GAS/DSL-MAN/AUTO (FIRE SUPPRESSION FM 200 - INTERNATIONAL) (C E OPTION GROUP)
15	1286947	STOP, HDPE 3/4"X 2"X 4" ENTRYWAY DOOR ARW
16	1909156	310DA 08,CVR,ENTRYWAY DOOR FBRGLS
17	1750874	HOLDER, DRINK SS 3-RING 3" (KING)
18	1846671	RAIL, GRAB FOREDECK ACCESS 1"OD X57 7/8"304SS
19	1909157	310DA 08,DOOR,ENTRYWAY FBRGLS
20	1885025	SHIM, HDPE DOOR 1/2"X 2" X28" ARW
21	1780215	NOSING, ALUM 5/8"X 12' T-1 ROUNDED BRUSHED
22	1743507	LABEL, DOOR MUST BE SECURED UNDERWAY
23	1743548	LABEL, WARNING RUNNING BOAT W/DOOR OPEN
24	762872	LOCK, CABIN DOOR WHT PC ALUM
	914010	LOCK, CABIN DOOR BLK ANOD ALUM (GEL-COATED DASH)
	826453	SHIM, DOOR STRIKER
	1736967	KEY, CABIN ENTRY MOBELLA (SPECIFY KEY#902)
	1736968	KEY, CABIN ENTRY MOBELLA (SPECIFY KEY#911)
	1736969	KEY, CABIN ENTRY MOBELLA (SPECIFY KEY#912)
	1736970	KEY, CABIN ENTRY MOBELLA (SPECIFY KEY#915)
	1736971	KEY, CABIN ENTRY MOBELLA (SPECIFY KEY#917)
	1736972	KEY, CABIN ENTRY MOBELLA (SPECIFY KEY#929)
	1736973	KEY, CABIN ENTRY MOBELLA (SPECIFY KEY#948)
	1736974	KEY, CABIN ENTRY MOBELLA (SPECIFY KEY#932)
	1736975	KEY, CABIN ENTRY MOBELLA (SPECIFY KEY#938)
	1736976	KEY, CABIN ENTRY MOBELLA (SPECIFY KEY#943)
	1737704	KEY, CABIN ENTRY MOBELLA (SPECIFY KEY#918)
25	1491737	RAIL, GRAB SS CABIN ENTRYWAY
26	912774	NOSING, VINYL 1"X 1/4"X 12' RIGID SR WHT

26	1802210	NOSING, VINYL 1"X 1/4"X 10' WARM GRY/NCKL (GEL-COATED DASH)
27	1340959	STOP, SLIDING DOOR/WINDOW CHR HVY DTY
28	1848995	THRESHOLD, SS 310DA-07 ENTRYWAY 22.5"
29	1758602	TRACK, ALUM ANOD SLIDE ASSY 43"UPR/50"LWR TLR

## BRACKETS

836007	BRACKET, ALUM 1.5"X 1.5"X 3" 3/16"HOLES
--------	---

## LABELS

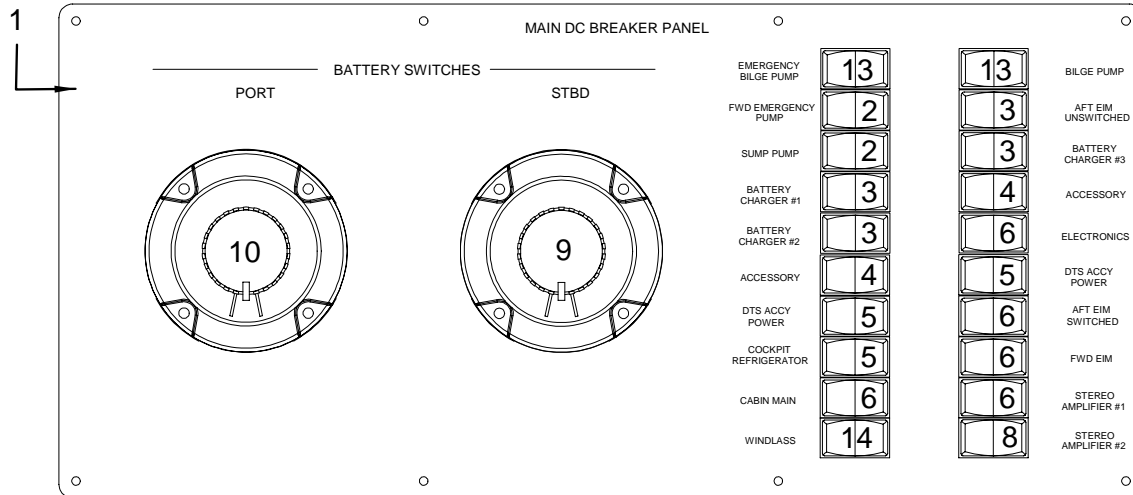
1547959	LABEL, WARNING BLOWER
1743548	LABEL, WARNING RUNNING BOAT W/DOOR OPEN
1744761	LABEL, NOTICE AUTO HALON SYSTEM (LEXAN)
1745519	LABEL, DANGER SHUT OFF ENG WHEN NEAR SWIMMERS
1744355	LABEL, CAUTION HATCH/CANVAS CURTAIN
1752856	LABEL, WARNING LTD VISION FROM HELM STN
1744744	LABEL, UPON HALON DISCHARGE SHUTDOWN ELEC SYS (DIESEL ENGINES)

## NOT SHOWN

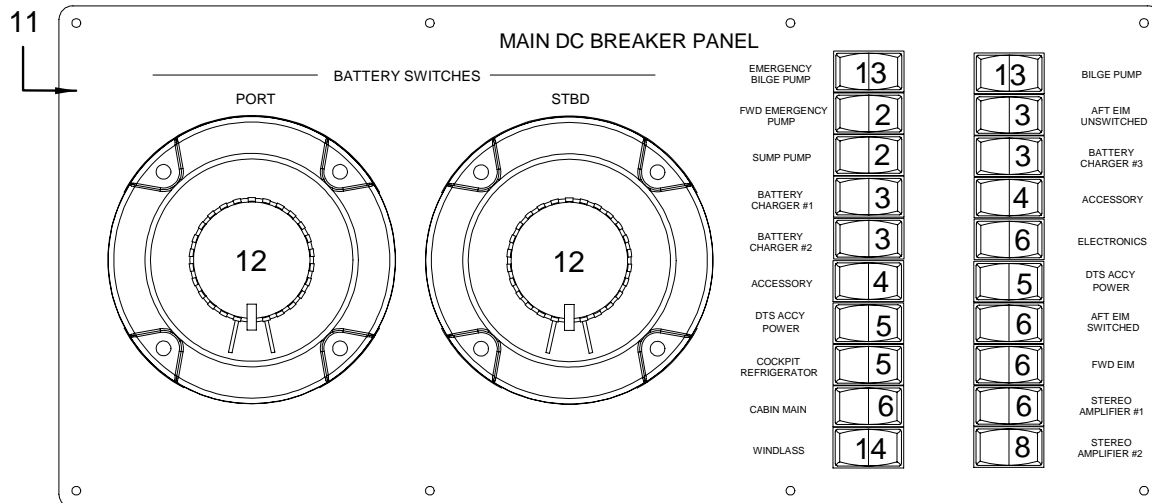
1848412	TRIM, EDGE WHT PEBBLE 1/2"
1848411	TRIM, EDGE BLK PEBBLE 1/2" (GEL-COATED DASH)
124537	THRU-HULL, PLAS 1.5" WHT

**MAIN DC BREAKER / BATTERY SWITCH PANEL**

GAS ENGINES WITHOUT BOW THRUSTER  
 GAS ENGINES WITHOUT BOW & STERN THRUSTERS



DIESEL ENGINES ONLY  
 GAS OR DIESEL ENGINES WITH BOW THRUSTER  
 GAS OR DIESEL ENGINES WITH BOW & STERN THRUSTERS



**MAIN DC BREAKER / BATTERY SWITCH PANEL**

- 1 1898659 PANEL, 310/330DA-08 MDC BRKR W/BATT GAS TE  
(HULL# 1207 -> UP)
- 1897815 PANEL, BLANK:290DA-08 MDC BRKR W/BATT GAS TE  
(BLANK PANEL FOR 1898659)
- 2 1181726 BRKR/ROCK, SGL-POLE MNL RSET DC IGNPRT 5A YLW
- 3 1412006 BRKR/ROCK, SGL-POLE MNL RSET DC IGNPRT 30A YL
- 4 432872 PLUG, BRKR/ROCK
- 5 1181759 BRKR/ROCK, SGL-POLE MNL RSET DC IGNPRT 15A YL
- 6 1181775 BRKR/ROCK, SGL-POLE MNL RSET DC IGNPRT 50A YL
- 7 1772527 BRKR/ROCK, SGL-POLE C-SERIES DC IGNPRT 50A LD
- 8 1771141 BRKR/ROCK, SGL-POLE MNL RSET DC IGNPRT 25A YL
- 9 1726841 SWITCH, BATTERY ON/OFF N/LCK N/DISC RV1
- 10 1726840 SWITCH, BATTERY SEL W/O LOCK W/O DISC REV 1
- 11 1908203 PANEL, 310/330DA-08 MDC BRKR W/LRG BATT GAS  
(HULL# 1305 -> UP)
- 1913700 PANEL, BLANK:310DA MDC BRKR W/BATT N/THRSTR  
(BLANK PANEL ONLY - FOR 1908203)
- 12 136150 SWITCH, BATTERY ON/OFF DSL W/DISC
- 13 1181742 BRKR/ROCK, SGL-POLE MNL RSET DC IGNPRT 10A YL
- 14 1873372 BRKR/ROCK, SGL-POLE C-SERIES IGNPRT 100A LD

**NOT SHOWN**

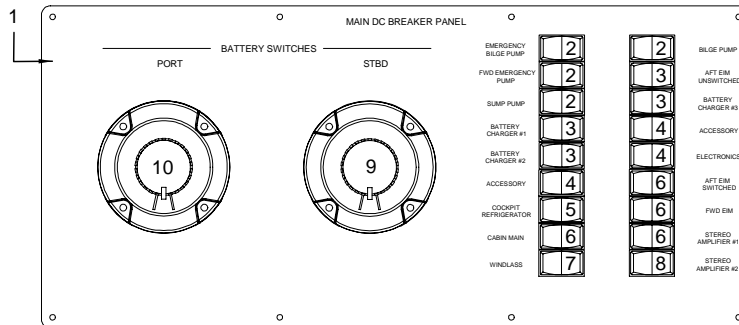
- 829432 BUSS BAR, DBL POST 5/16"



**MAIN DC BREAKER / BATTERY SWITCH PANEL (CONTINUED)**

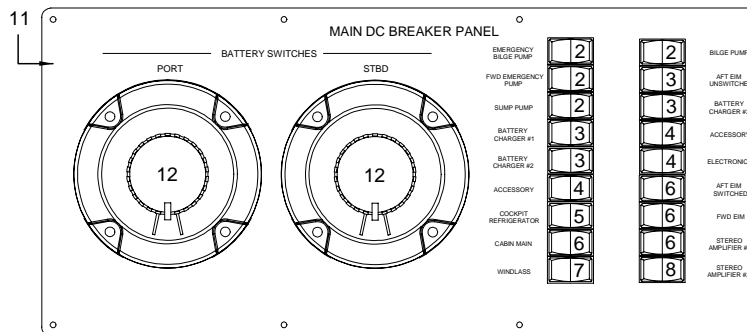
HULL# 1201 THRU 1206 ONLY

GAS ENGINES WITHOUT BOW THRUSTER  
GAS ENGINES WITHOUT BOW & STERN THRUSTERS



HULL# 1201 THRU 1304 ONLY

DIESEL ENGINES ONLY  
GAS OR DIESEL ENGINES WITH BOW THRUSTER  
GAS OR DIESEL ENGINES WITH BOW & STERN THRUSTERS

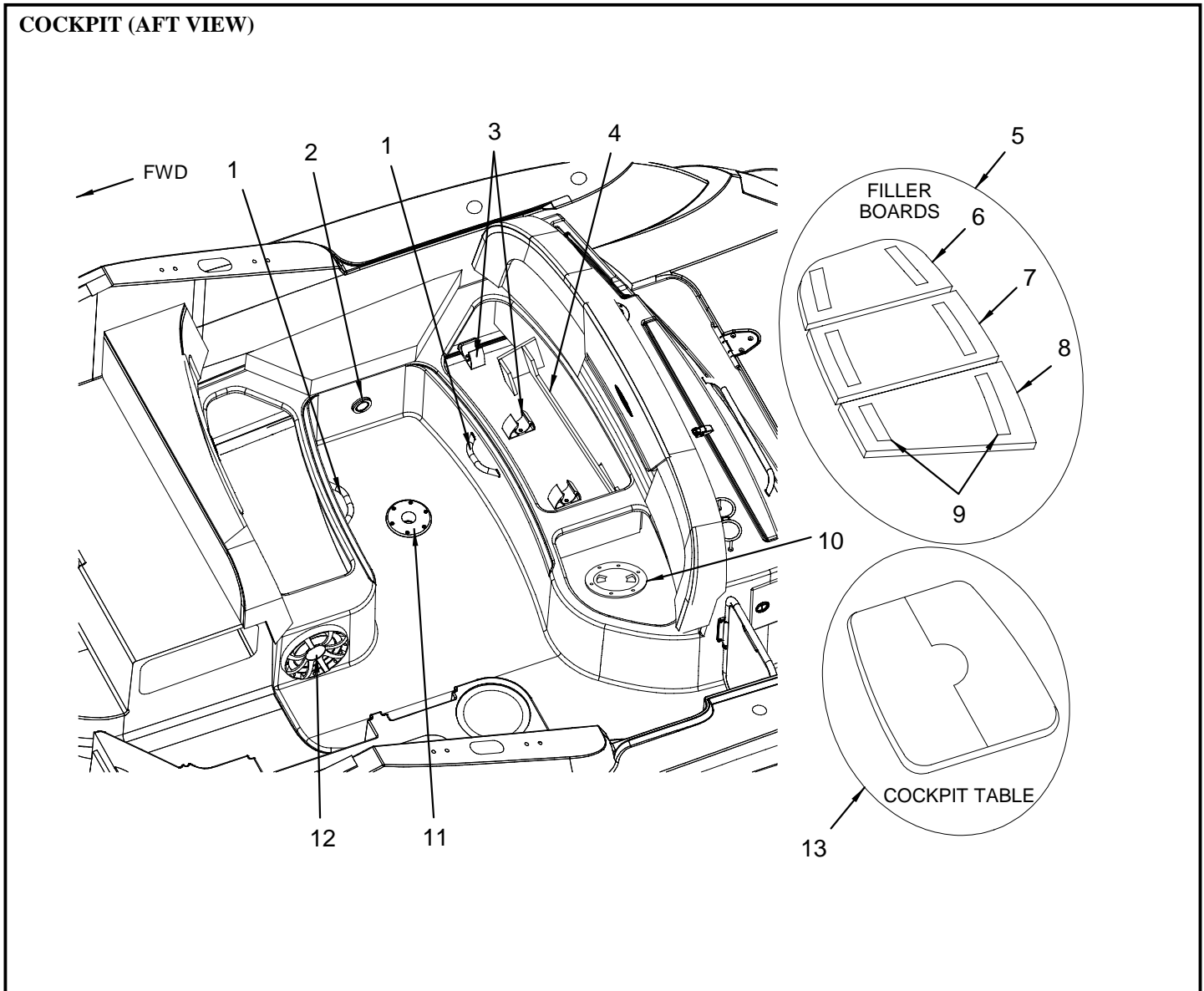


**MAIN DC BREAKER / BATTERY SWITCH PANEL (CONTINUED)**

- 1 1811759 PANEL, 310DA-07 MDC BRKR W/BATT GAS TE (HULL# 1201 -> 1206)
- 1811758 PANEL, BLANK:310DA-07 MDC BRKR W/BATT GAS TE (BLANK PANEL ONLY - FOR 1811759)
- 2 1181726 BRKR/ROCK, SGL-POLE MNL RSET DC IGNPRT 5A YLW
- 3 1412006 BRKR/ROCK, SGL-POLE MNL RSET DC IGNPRT 30A YL
- 4 432872 PLUG, BRKR/ROCK
- 5 1181759 BRKR/ROCK, SGL-POLE MNL RSET DC IGNPRT 15A YL
- 6 1181775 BRKR/ROCK, SGL-POLE MNL RSET DC IGNPRT 50A YL
- 7 1772527 BRKR/ROCK, SGL-POLE C-SERIES DC IGNPRT 50A LD
- 8 1771141 BRKR/ROCK, SGL-POLE MNL RSET DC IGNPRT 25A YL
- 9 1726841 SWITCH, BATTERY ON/OFF N/LCK N/DISC RV1
- 10 1726840 SWITCH, BATTERY SEL W/O LOCK W/O DISC REV 1
- 11 1849706 PANEL, 310DA-07 MDC BRKR W/BATT DSL TE (HULL# 1201 -> 1304)
- 1849707 PANEL, BLANK:310DA-07 MDC BRKR W/BATT DSL TE (BLANK PANEL ONLY - FOR 1849706)
- 12 136150 SWITCH, BATTERY ON/OFF DSL W/DISC

**NOT SHOWN**

- 829432 BUSS BAR, DBL POST 5/16"



**COCKPIT (AFT VIEW)**

- 1 1780393 RAIL, GRAB 8.5" 316L SS W/GASKET
- 2 1771019 LIGHT, NAV STERN FLUSH MT CKPT W/CONN BULB, REPL FOR #0137380/#0783670 (REPLACEMENT BULB FOR 1771019)
- 3 1500552 CLIP, TABLE LEG 60MM TUBE BLK
- 4 1909281 310DA 08,RACK,TBL STRG CKPT
- 5 1882737 310DA 07,FILR BOARD,SET TBL CKPT
- 6 1882738 310DA 07,FILR BOARD,STB TBL CKPT
- 7 1882739 310DA 07,FILR BOARD,CTR TBL CKPT
- 8 1882740 310DA 07,FILR BOARD,PRT TBL CKPT
- 9 198945 VELCRO, DUAL LOCK CLR 2"X 50YD W/ADH BACK
- 10 983692 ACCESS PLATE, POLYPROP W/ O-RING 4" WHT
- 11 876961 BASE, LEG/POST FLUSH MT ALUM  
1476779 POST, TABLE LEG 25"X 2.25" ALUM RIB DBL TPR  
872440 POST, TABLE LEG 11.25" ANOD TAPERED RIBBED
- 12 1849195 SPEAKER, 10" SUBWOOFER MARINE WHT (PREMIUM COCKPIT SOUND SYSTEM - 12 VOLT)  
1892022 GRILL, 10" SUBWOOFER MARINE WHT W/BLK LOGO (PART OF 1849195)
- 13 1891018 TABLE, TEAK 7/8"X21"X32 3/8"W/HNG/AL BASE RV1  
1908596 310DA 08,CANVAS CVR,AFT CKPT TBL TST

**AIR COMPRESSOR - FOR WATER TOYS (continued)**

- 1726744 PUMP, AIR COMPRESSOR 230BR/ES (HULL# 1201 -> 1312)
- 1747608 PANEL, 240BR-04 AIR CMPSR ACT SW
- 1850448 HARNESS, AIR CMPSR 12V
- 855809 ROPE, DOCKLINE STRAP WHT W/HDWR (SHORT STYLE)
- 334672 BUMPER, RECESSED WHT ROUND
- 1758957 PVC BOARD, 1/2"X 4'X 8' WHT INTEFOAM

**LABELS**

- 1764402 LABEL, 7/16"X 7/8" CKPT STEREO CHG ADH/SUBSTR (PREMIUM COCKPIT SOUND SYSTEM - 12 VOLT)

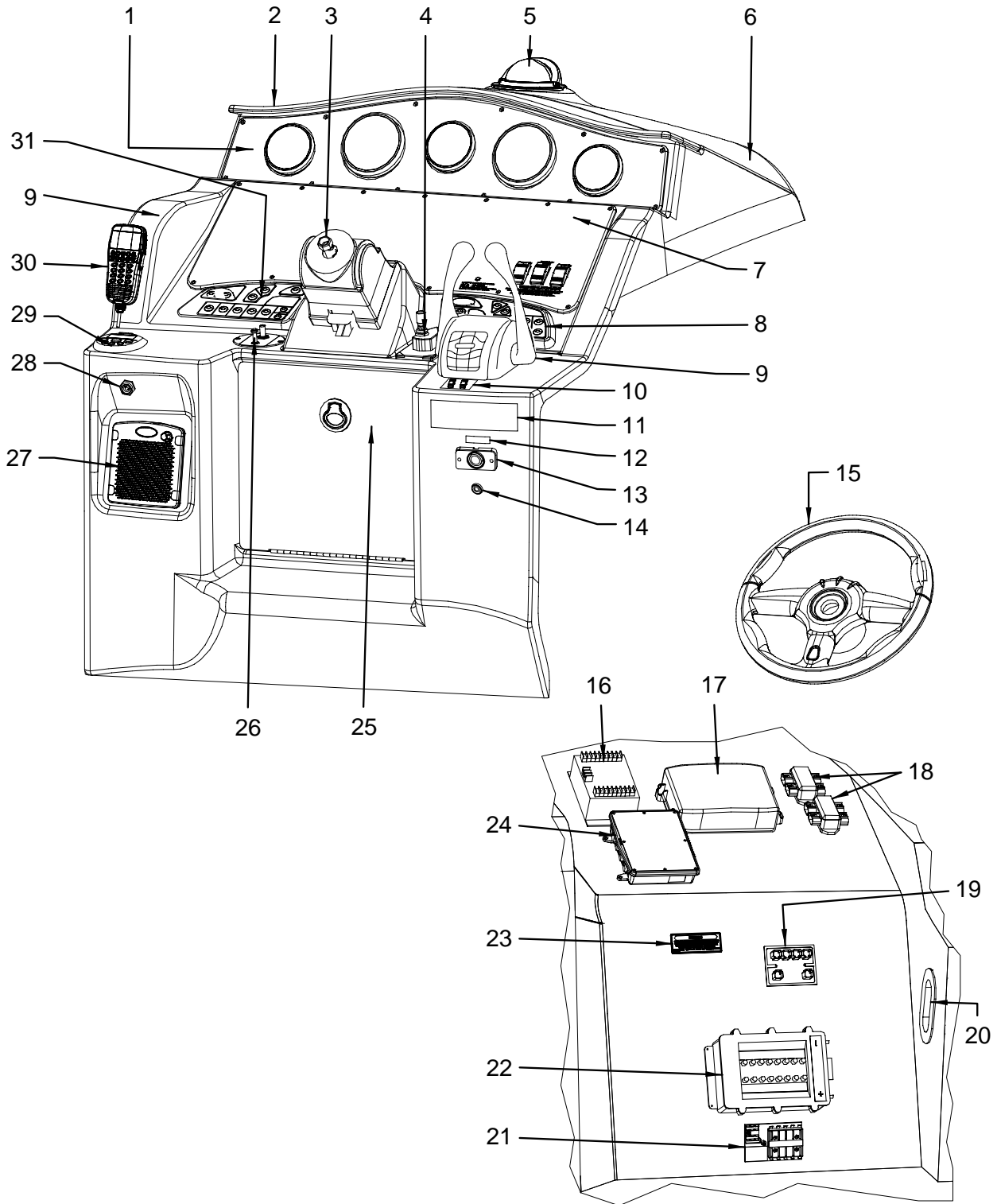
**NOT SHOWN**

- 326009 THRU-HULL, PLAS 2" WHT (FULL THREAD)

**AIR COMPRESSOR - FOR WATER TOYS**

- 1883261 COMPRESSOR, 12V AIR W/HOSE/VALVE/TIP/COUPLER (HULL# 1313 -> UP)

COCKPIT (HELM)



## COCKPIT (HELM)

1	1811760	PANEL, BLANK:310DA-07 INST S-CRFT SRMAHOG (GAS ENGINES)
	1882425	PANEL, BLANK:310DA-07 INST YANMAR SRMAHOG (YANMAR DIESEL ENGINES)
2	1835634	VISOR, DASH 310DA-07 PLEX BLK
3	1823728	STEERING, PERFORMANCE TILT PRO-SERIES MECH (HULL# 1301 -> UP) (STERN DRIVE ENGINES)
	662510	STEERING, PERFORMANCE TILT MECHANISM (HULL# 1201 -> 1300) (STERN DRIVE ENGINES)
	317032	STEERING, HELM PUMP SEA STAR I TILT (V-DRIVE ENGINES)
4	1765067	BOW THRUSTER, JOYSTICK (IMTRA)12/24V W/ON/OFF (BOW THRUSTER)
	1800993	STERN THRUSTER, DOCKING CNTRL PNL (BOW & STERN THRUSTERS)
5	1776899	COMPASS, FLUSH MT 4 3/16" WHT W/CONN
	1776900	COMPASS, FLUSH MT 4 3/16" BLK W/CONN (GEL-COATED DASH)
	1798174	BULB, COMPASS REPL (SUNSHADE) (PART OF 1776899 & 1776900)
	1798175	BULB, COMPASS REPL (FRONT) (PART OF 1776899 & 1776900)
6	1909129	310DA 08,DASH,FBRGLS
7	1846522	PANEL, BLANK:310DA-07 ELEC (SEE ELECTRONIC PANELS SECTION)
8	1797304	MODULE, ELEC SWPAD S-CRUISER STB 05
9	1883502	CONTROL, DTS TS/TS W/CAN TRACKPAD (DTS GAS ENGINES)
	1051689	CONTROL, THRTL/SHFT W/SS HANDLES W/GOLD KNOBS (DIESEL ENGINE)
	907063	KNOB, CONTROL GOLD SMOOTH (PART OF 1051689)
	907097	KNOB, CONTROL GOLD GROOVED W/RED ID (PART OF 1051689)
	1762415	BEZEL, DOME POLISHED SS FOR MRP#1051689 (PART OF 1051689)
10	1898705	PANEL, PROP/TRIM PNL TWIN ENG (STERN DRIVE ENGINES ONLY)
	845818	PANEL, 280BR/SS-96 PROP TRIM PNL TWIN ENG (DIESEL ENGINE)
11	1811368	LABEL, DANGER CO HELM 06
12	1744738	LABEL, RECEPTACLE 12V-15A MAX (LEXAN)
13	1287283	RECEPTACLE, FEMALE 12V LONG THRD BLK
	1259977	PLATE, FEMALE 12V RECEPTACLE MNT
14	1771022	ACC PART, MERC ALARM BUZZER W/HARNESS W/CONN (GAS ENGINES ONLY)
15	1810006	STEERING WHEEL, 14.25" SPCRUIS SEARS W/BLK
	758599	HUB KIT, STEERING WHEEL DINO 332 (PART OF 1810006)
	1792417	PAD, STEER WHL CTR FOR #1526292 (PART OF 1810006)
	1835885	STEERING WHEEL, CHR RING FOR 1810006 (PART OF 1810006)
	1747682	EMBLEM, S/R EMB SCRIPT WHEEL CHR-BEZEL 1.75"
16	1148857	HALON SYS, ENG INTRUPT/RESTRT 12V 5-CKT (DIESEL ENGINES)
17	1801244	DEPTH FINDER, DIGITAL SOUNDR MODL HSB2/DSM300 (RAYMARINE DSM 300 FISH FINDER)
	731000	FUSE, BLADE TYPE CLOSED 10A (RAYMARINE DSM 300 FISH FINDER)
18	1507326	ACC PART, MERC S-CRFT JUNC BOX 4-WAY (GAS ENGINES ONLY)
19	1810630	MODULE, ELEC INTERFACE SWITCHING SYS 06 (GENERATOR)
20	957092	A/C COMP, HOSE RING 5" OBLONG
21	937490	FUSE BLOCK, 10-GNG BLADE-TYPE ELECTRONICS (ELECTRONICS)
22	1810628	MODULE, ELEC INTERFACE FWD S-CRUISER 06
23	1745159	LABEL, CAUTION BUSS ELECTRONICS (LEXAN) (ELECTRONICS)
24	1839235	RADIO, VHF NRTHSTR PLAT COLOR
25	1835633	DOOR, HDPE 310DA-07 HLM ACCESS ARW W/SS STHCO
	1846511	DOOR, HDPE 310DA-07 HLM ACCESS NKL W/SS STHCO (GEL-COATED DASH)
	1781434	LATCH, FLUSH MNT N/LOCKING SLAM SS (PART OF 1835633 & 1846511)
	1781436	PLATE, FLAT BRKT 2"SHORT SCREW W/HDWR PKG (PART OF 1835633 & 1846511)
26	1755306	CONTROL, SEARCH LIGHT N/HARNESS (SPOTLIGHT, 5" REMOTE CONTROLLED)
	1757404	HARNESS, SPOTLIGHT ASSY 35' W/MALE CONN (SPOTLIGHT, 5" REMOTE CONTROLLED)
27	1896838	SPEAKER, REMOTE NRTHSTR VHF BLKBOX BLK (PART OF 1839235)

28	1690376	ACC PART, MERC S-CRFT AIR TEMP SENSOR (GAS ENGINES WITHOUT VESSEL VIEW - SMARTCRAFT)
29	1799348	STEREO, REMOTE CNTRL W/DSPL BLK FACE/SS BZL
	1903545	CABLE, CLARION REMOTE EXTENSION CABLE 25'
30	1896837	RADIO, VHF NRTHSTR BLKBOX PLAT COLOR HANDSET (PART OF 1839235)
	1851777	RADIO, VHF MIC CLIP ONLY (PART OF 1807449)
31	1797300	MODULE, ELEC SWPAD S-CRUISER PRT 05

## ELECTRICAL

731034	FUSE, BLADE TYPE CLOSED 5A
634998	BOX, V/F 7.75"X 5"X 3" BLANK
1812222	HARNESS, ENG MERC DATA 14-PIN DTS 25' (DTS ENGINES)
1790090	ACC PART, EXT HARNESS 15' MERC KEY SW (DTS ENGINES)
1850928	TRIDATA, RAYTHEON (DEPTH,SPEED,TEMP,LOGO PLUS (DIESEL ENGINES)
1073758	CONTROL, NEUTRAL SAFETY SWITCH (DTS ENGINES)
1883473	BOARD, DTS DUAL ENG HELM COMP (DTS ENGINES)

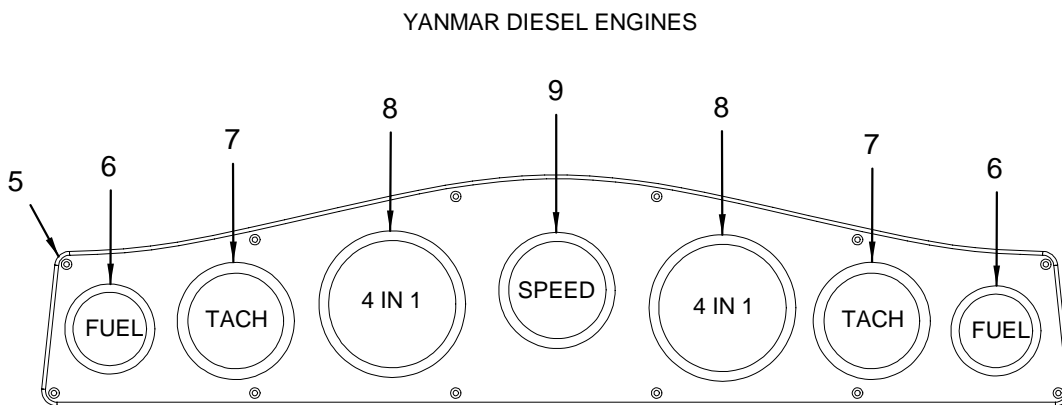
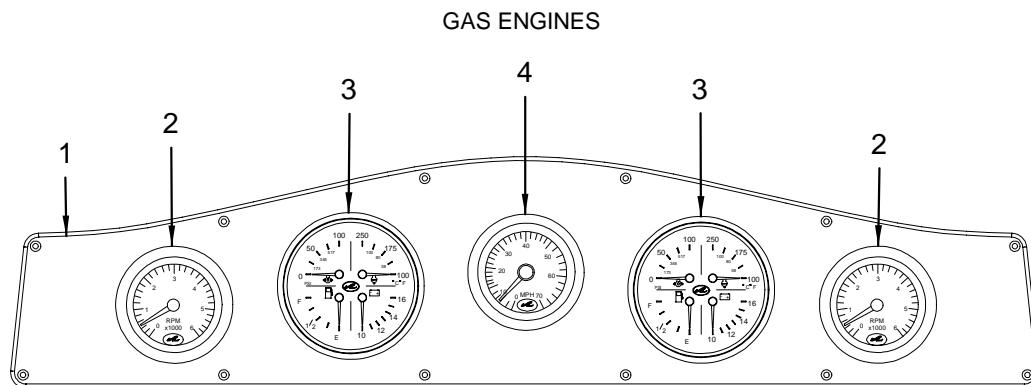
## LABELS

1746899	LABEL, DANGER CARBON MONOXIDE (LEXAN)
129122	LABEL, NMMA CERTIFIED
1752709	PLATE, NMMA YACHT CERT GAS
976415	PLATE, CE OPT B:12PERSON/1360KG (C E OPTION GROUP)
1849893	LABEL, STICKER 310DA CANADIAN CONFORMITY (CANADIAN CONFORMITY STICKER)
1888198	PLATE, BUILDERS AU 07-310DA (AUSTRALIAN BUILDERS PLATE)
1895601	LABEL, DANGER/WARNING COMBO CNTRL STA RV1 (HULL# 1314 -> UP)
1749696	LABEL, DANGER COMBO-GAS POWERED BOAT RV1 (HULL# 1201 -> 1313)
1746901	LABEL, CAUTION BATTERY SWITCH OFF/ALT DAMAGED
1757259	LABEL, GALVANIC ISOLATOR INSTALLED REVERSE...
1747504	LABEL, COMPASS AREA KEEP AWAY MTL OBJECTS (AUTOPILOT - RAYPILOT ST 7001+)
1743530	LABEL, SHIFT (LEXAN)
1743531	LABEL, THROTTLE (LEXAN)

## NOT SHOWN

835819	BRACKET, ALUM 1"X 1"X 6' 3/16"HOLES
--------	-------------------------------------

**INSTRUMENT PANEL**



**INSTRUMENT PANEL**

- 1 1811760 PANEL, BLANK:310DA-07 INST S-CRFT SRMAHOG
- 2 1909622 GAUGE, SYS TACH 3"SC OMEGA 3  
(HULL# 1282 -> UP)
- 1777617 GAUGE, SYS TACH 3" S-CRFT 0-7000RPM RV2  
(NO LONGER AVAILABLE - ORDER 1909622)  
(HULL# 1201 -> 1281)
- 1689881 GAUGE, LINK TACH 3" S-CRFT 0-6000RPM  
(VESSEL VIEW - GAS TWINS ONLY)
- 1690381 NUT, LOCK 85MM SPIN LOCK VDO
- 3 1768244 GAUGE, 5" 4-IN-1 FUEL/OIL/TMP/TRIM S-CRFT  
(GAS STERN DRIVE ENGINES)
- 1609007 GAUGE, 5" 4-IN-1 FUEL/VOLT/OIL/TMP S-CRFT  
(V-DRIVE GAS ENGINES)
- 1767744 GAUGE, TELE 4/1 SR5"100PSI 240F VTRIM STB PGT  
(BLANK YANMAR DIESEL)
- 1690382 NUT, LOCK 110MM SPIN LOCK VDO
- 4 1909621 GAUGE, SYS SPEED 3"SC OMEGA 3  
(HULL# 1282 -> UP)
- 1689917 GAUGE, LINK SPEED 3" S-CRFT 0-70MPH  
(VESSEL VIEW - GAS TWINS ONLY)
- 1777616 GAUGE, SYS SPEED 3"SC 0-70MPH/RV2 POST 2602  
(NO LONGER AVAILABLE - ORDER 1909621)  
(HULL# 1201 -> 1281)
- 1690381 NUT, LOCK 85MM SPIN LOCK VDO
- 5 1882425 PANEL, BLANK:310DA-07 INST YANMAR SRMAHOG  
(YANMAR DIESEL ENGINES)
- 6 1767746 GAUGE, FUEL 2" SGL STA 12V W/PIGTL  
(BLANK T-5.0L MPI SEACORE DTS BR 3)

- 7 1901421 GAUGE, TACH/LCDHOUR 3" 0-4000RPM YANMR W/HRNS  
(HULL# 1313 -> UP)  
(YANMAR DIESEL)
- 1880689 GAUGE, TACH/LCDHOUR 3" 0-4000RPM YANMAR  
(HULL# 1201 -> 1312)  
(YANMAR DIESEL)
- 8 1767744 GAUGE, TELE 4/1 SR5"100PSI 240F VTRIM STB PGT  
(BLANK YANMAR DIESEL)
- 9 1767745 GAUGE, SPEEDO 65 MPH 3" W/PIGTL  
(BLANK YANMAR DIESEL)

**HARNESSES**

- 1911120 HARNESS, ENG SYSTEMS TACH OMEGA 3 RV4  
(HULL# 1282 -> UP)  
(WITHOUT VESSEL VIEW - SMARTCRAFT - GAS TWINS ONLY)
- 1911119 HARNESS, SYSTEM SPEED OMEGA 3 RV4  
(HULL# 1282 -> UP)  
(VESSEL VIEW - SMARTCRAFT - GAS TWINS ONLY)
- 1507292 HARNESS, ENG SYSTEMS TACH/MONITOR  
(HULL# 1201 -> 1281)  
(GAS ENGINES WITHOUT SMARTCRAFT SYSTEM VIEW)
- 1507300 HARNESS, SYSTEM SPEED  
(HULL# 1201 -> 1281)  
(GAS ENGINES WITHOUT SMARTCRAFT SYSTEM VIEW)
- 1887757 HARNESS, YANMAR 30' ALARM EXTENSION  
(YANMAR DIESEL ENGINES)
- 1901081 HARNESS, 310DA-08 YANMAR INTERFACE RV1  
(HULL# 1336 -> UP)  
(YANMAR DIESEL ENGINES)

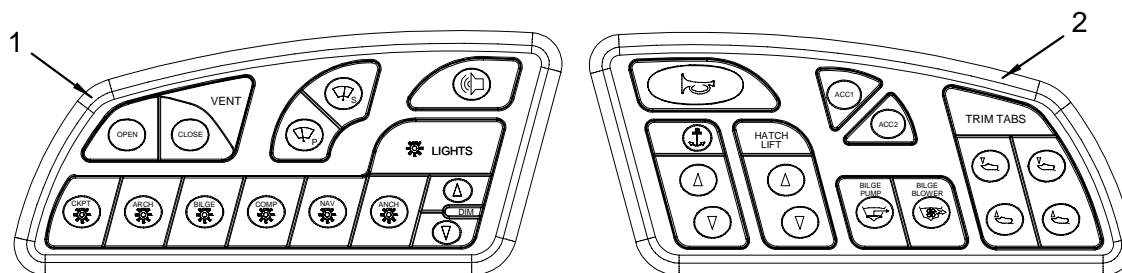
**HARNESSES (continued)**

1893396 HARNESSES, 310DA-08 YANMAR INTERFACE  
(HULL# 1201 -> 1335)  
(YANMAR DIESEL ENGINES)

**NOT SHOWN**

1767746 GAUGE, FUEL 2" SGL STA 12V W/PIGTL  
(BLANK T-5.0L MPI SEACORE DTS BR 3)  
1880899 GAUGE, DUAL ALARM YANMAR  
(BLANK YANMAR DIESEL)

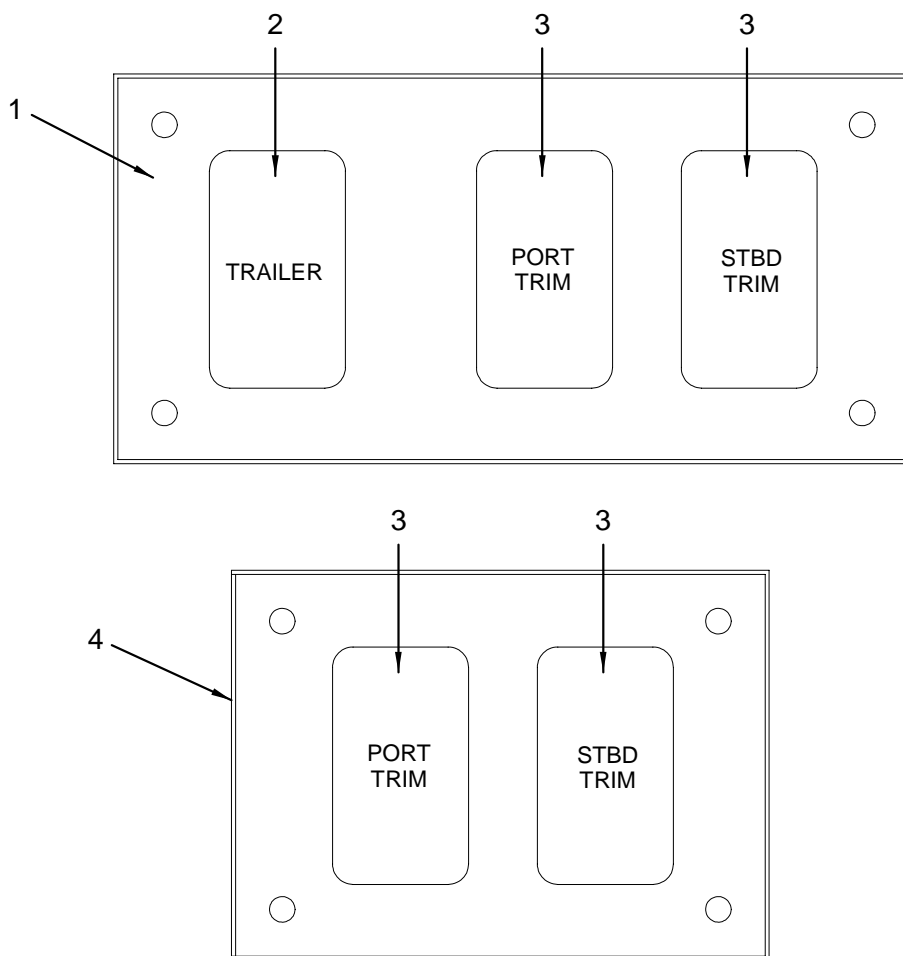
SWITCH PANEL



SWITCH PANEL

- 1 1797300 MODULE, ELEC SWPAD S-CRUISER PRT 05
- 2 1797304 MODULE, ELEC SWPAD S-CRUISER STB 05

**POWER TRIM PANEL**

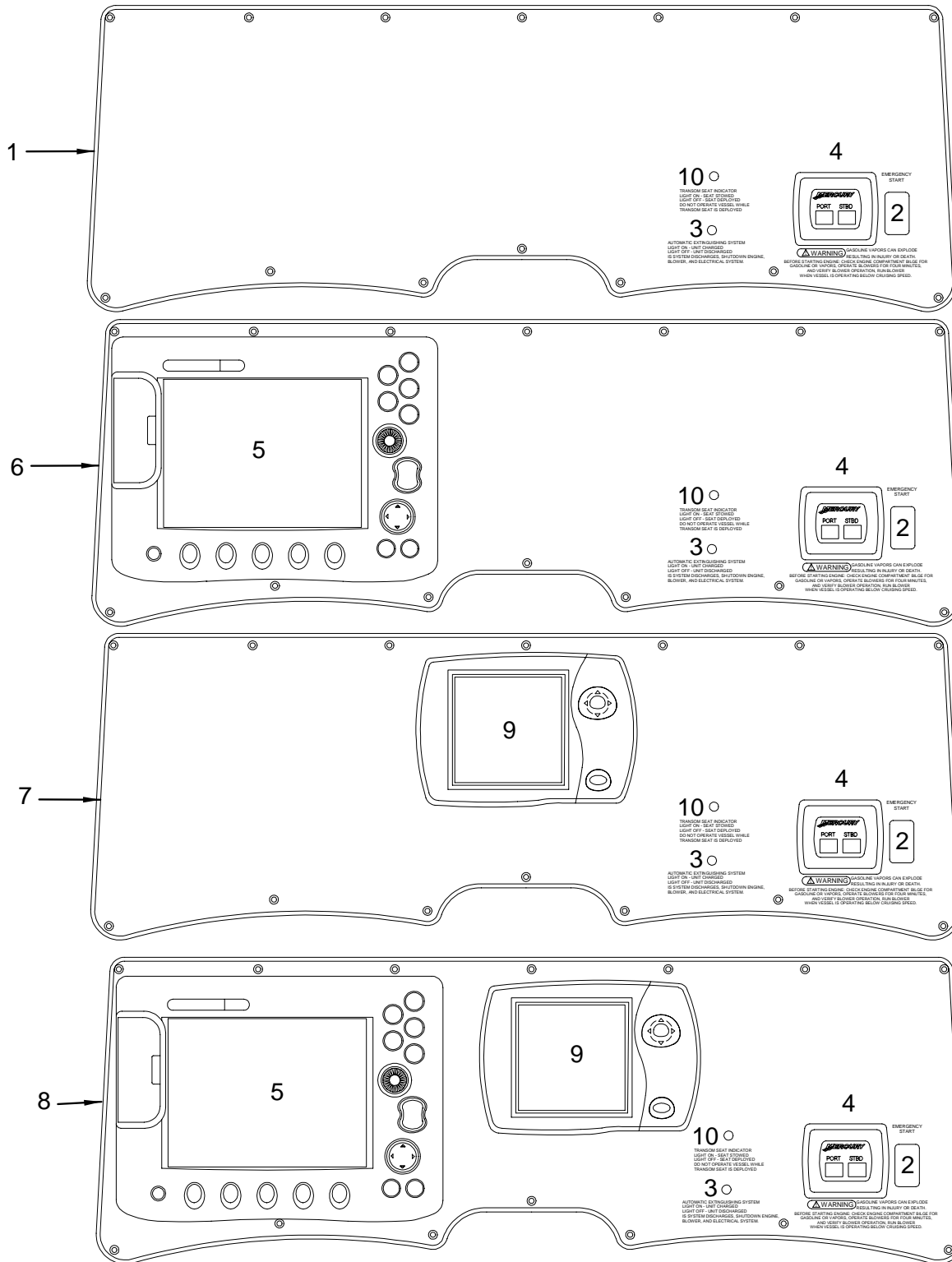


**POWER TRIM PANEL**

- 1 845818 PANEL, 280BR/SS-96 PROP TRIM PNL TWIN ENG (DIESEL ENGINE)
- 2 670539 BODY, ROCK SW DPST MOM  
840926 ACTUATOR, ROCK VERT BLK W/O LENS TRAILER
- 3 767194 BODY, ROCK SW SPDT MOM W/BLK BASE  
840918 ACTUATOR, ROCK VERT BLK W/O LENS PROPUL TRIM
- 4 1898705 PANEL, PROP/TRIM PNL TWIN ENG (GAS ENGINE)



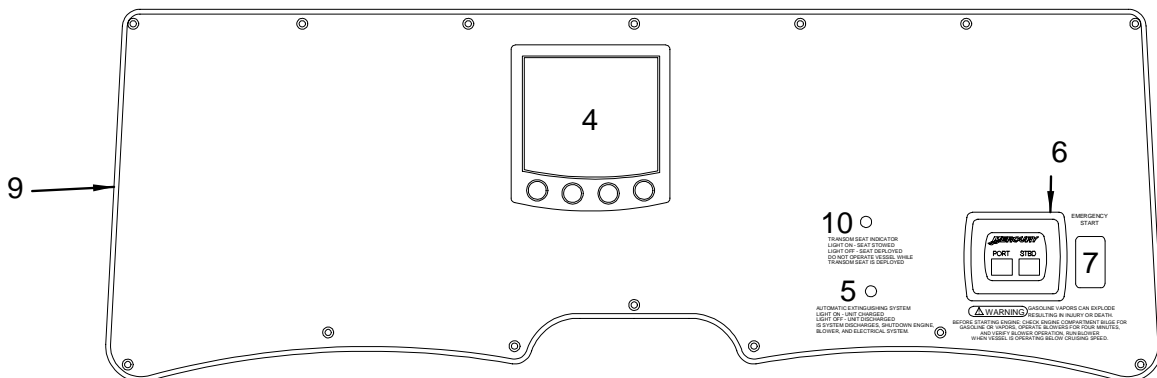
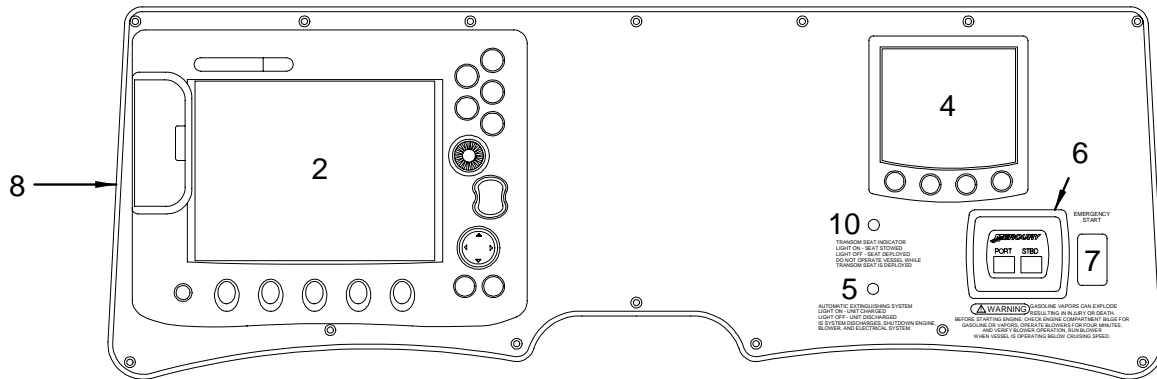
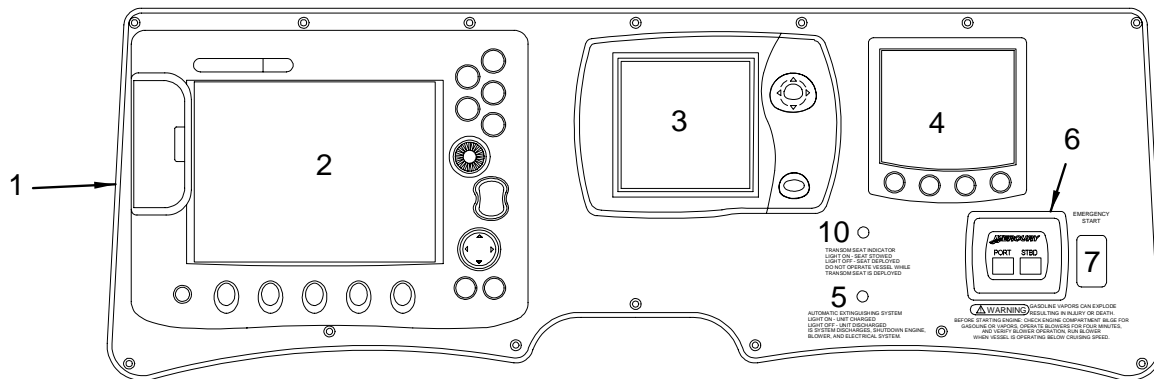
ELECTRONIC PANELS



## ELECTRONIC PANELS

- 1 1904350 PANEL, 310/330DA ELEC W/RCKR SW/DTS/TRNSM IND  
(HULL# 1313 -> UP)
- 1904347 PANEL, BLANK:ELEC W/RCKR SW/DTS W/TRNSM IND  
(BLANK PANEL ONLY - FOR 1904350)
- 1850270 PANEL, 310DA-07 ELEC W/RCKR SW/DTS  
(HULL# 1201 -> 1312)
- 1850269 PANEL, BLANK:310DA-07 ELEC W/DTS  
(BLANK PANEL ONLY - FOR 1850269)
- 2 1895539 ACTUATOR, ROCK BLK EMER START
- 1526698 BODY, ROCK SW DPST MOM W/O BARRIER
- 3 179853 LIGHT, INDICATOR GREEN 15V  
(SUPPLIED WITH FIRE SYSTEM)
- 4 1781396 SWITCH, START/STOP DUAL ENG KIT DTS
- 5 1772721 NAVIGATION DISPLAY, RAYMARINE C80 8" CLR LCD
- 6 1904352 PANEL, ELEC W/RCKR SW/C80/DTS/TRNSM IND  
(HULL# 1307 -> UP)
- 1904358 PANEL, BLANK:ELEC W/RCKR SW/C80/DTS/TRNSM IND  
(BLANK PANEL FOR 1904352)
- 1850272 PANEL, 310DA-07 ELEC W/RCKR SW/C80/DTS  
(HULL# 1201 -> 1306)
- 1850271 PANEL, BLANK:310DA-07 ELEC W/C80/DTS  
(BLANK PANEL ONLY - FOR 1850272)
- 7 1904356 PANEL, ELEC W/RCKR SW/VSLVW/DTS/TRNSM IND  
(HULL# 1293 -> UP)
- 1904360 PANEL, BLANK:ELEC W/VSLVW/DTS/TRNSM IND MHGNY  
(BLANK PANEL FOR 1904356)
- 1894208 PANEL, 310DA-07 ELEC W/RCKR SW/VSLVW/DTS  
(HULL# 1201 -> 1292)
- 8 1904363 PANEL, ELEC C80/VSLVW/DTS/TRNSM IND MAHOGANY  
(HULL# 1304 -> UP)
- 1904362 PANEL, BLANK:ELEC C80/VSLVW/DTS/TRNSM IND  
(BLANK PANEL FOR 1904363)
- 1894212 PANEL, 310DA-07 ELEC C80/VSLVW/DTS MAHOGANY  
(HULL# 1201 -> 1303)
- 1894211 PANEL, BLANK:310DA-07 ELEC C80/VSLVW/DTS  
(BLANK FOR 1894212)
- 9 1890259 ACC PART, MERC S-CRFT VESSEL VIEW  
(HULL# 1207 -> UP)
- (NOTE: ORDER WARRANTY REPLACEMENT FROM MERCURY)
- 1816009 ACC PART, MERC S-CRFT SYS VIEW '06 VER 3.45  
(HULL# 1201 -> 1206)
- (NOTE: ORDER WARRANTY REPLACEMENT FROM MERCURY)
- 10 1887703 LIGHT, INDICATOR GREEN 15V

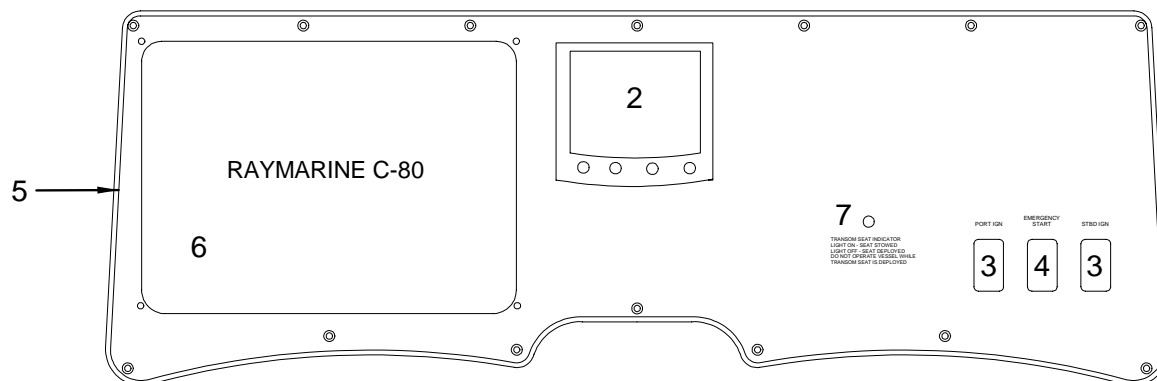
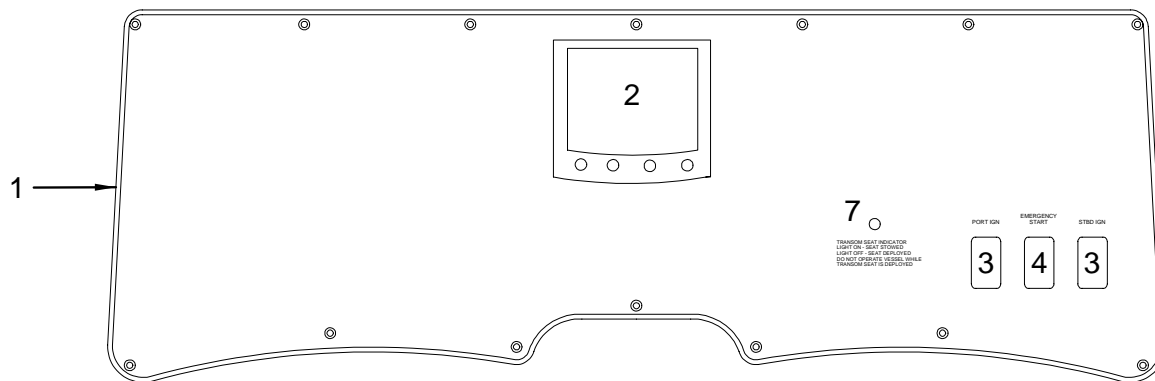
ELECTRONIC PANELS (CONTINUED 1)



## ELECTRONIC PANELS (CONTINUED 1)

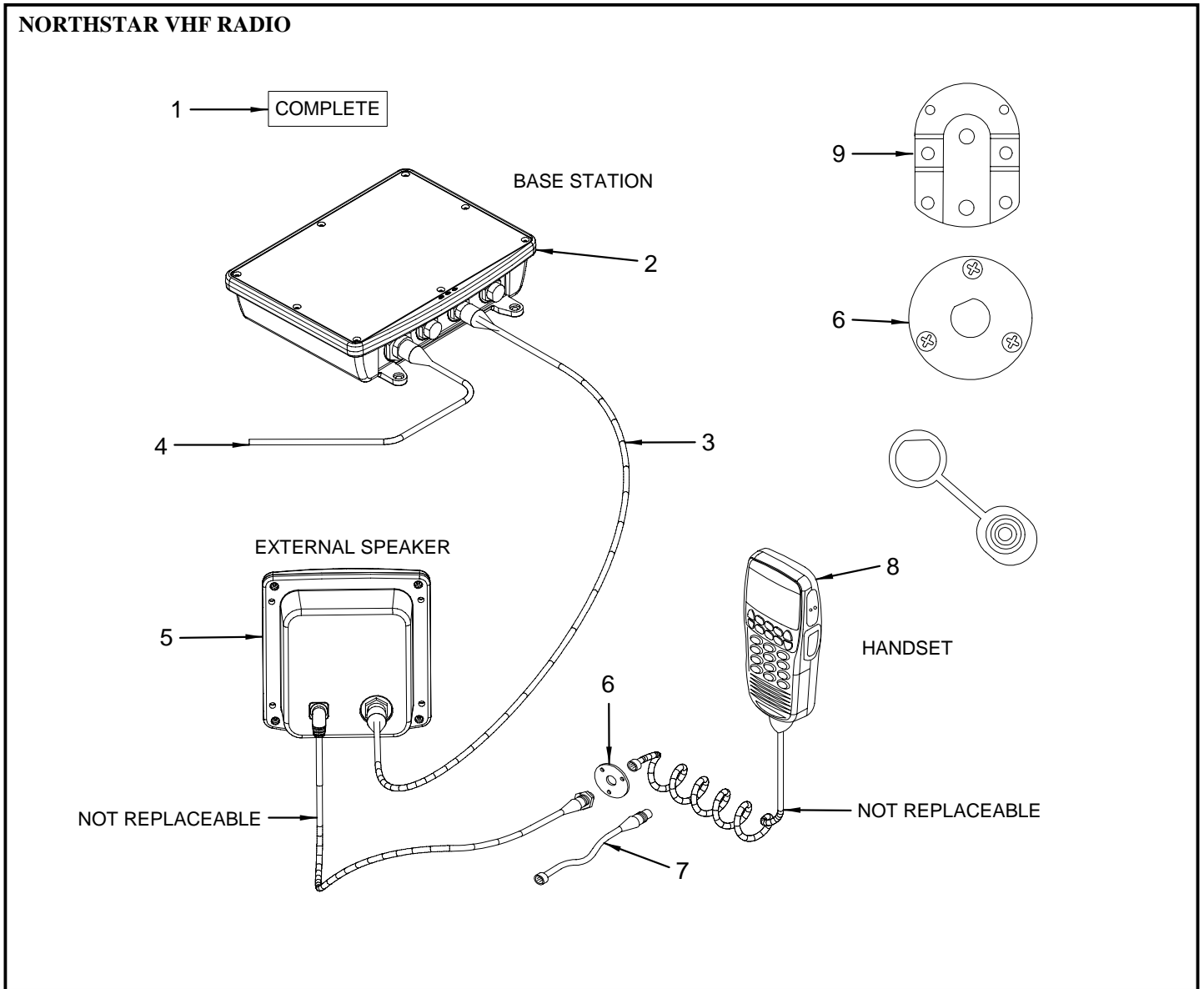
- 1 1904380 PANEL, ELEC C80/VSLVW/AUTO/DTS/TRNSM IND
- 1904379 PANEL, BLANK:ELEC C80/VSLVW/AUTO/DTS/TRSM IND  
**(BLANK PANEL FOR 1904380)**
- 2 1772721 NAVIGATION DISPLAY, RAYMARINE C80 8" CLR LCD
- 3 1890259 ACC PART, MERC S-CRFT VESSEL VIEW  
**(HULL# 1207 -> UP)**  
**(NOTE: ORDER WARRANTY REPLACEMENT FROM MERCURY)**
- 1816009 ACC PART, MERC S-CRFT SYS VIEW '06 VER 3.45  
**(HULL# 1201 -> 1206)**  
**(NOTE: ORDER WARRANTY REPLACEMENT FROM MERCURY)**
- 4 1839148 AUTO PILOT, RAYPILOT ST7002 DISPLAY ONLY
- 5 179853 LIGHT, INDICATOR GREEN 15V  
**(SUPPLIED WITH FIRE SYSTEM)**
- 6 1781396 SWITCH, START/STOP DUAL ENG KIT DTS
- 7 1895539 ACTUATOR, ROCK BLK EMER START
- 1526698 BODY, ROCK SW DPST MOM W/O BARRIER
- 8 1904384 PANEL, ELEC W/RCKR SW/C80/AUTO/DTS/TRNSM IND  
**(HULL# 1304 -> UP)**
- 1904383 PANEL, BLANK:ELEC C80/AUTO/DTS/TRNSM IND  
**(BLANK PANEL FOR 1904384)**
- 1850297 PANEL, 310DA-07 ELEC W/RCKR SW/C80/AUTO/DTS  
**(HULL# 1201 -> 1303)**
- 1850296 PANEL, BLANK:310DA-07 ELEC C80/AUTO/DTS  
**(BLANK PANEL ONLY - FOR 1850297)**
- 9 1904390 PANEL, ELEC RAYMAR AUTO/DTS/TRNSM IND  
**(HULL# 1304 -> UP)**
- 1904389 PANEL, BLANK:ELEC RAYMAR AUTO/DTS/TRNSM IND  
**(BLANK PANEL FOR 1904390)**
- 1850301 PANEL, 310DA-07 ELEC RAYMAR AUTO/DTS  
**(HULL# 1201 -> 1303)**
- 1850300 PANEL, BLANK:310DA-07 ELEC RAYMAR AUTO/DTS  
**(BLANK PANEL ONLY - FOR 1850301)**
- 10 1887703 LIGHT, INDICATOR GREEN 15V

ELECTRONIC PANELS (YANMAR DIESEL)



**ELECTRONIC PANELS (YANMAR DIESEL)**

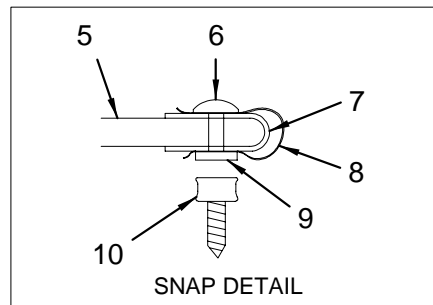
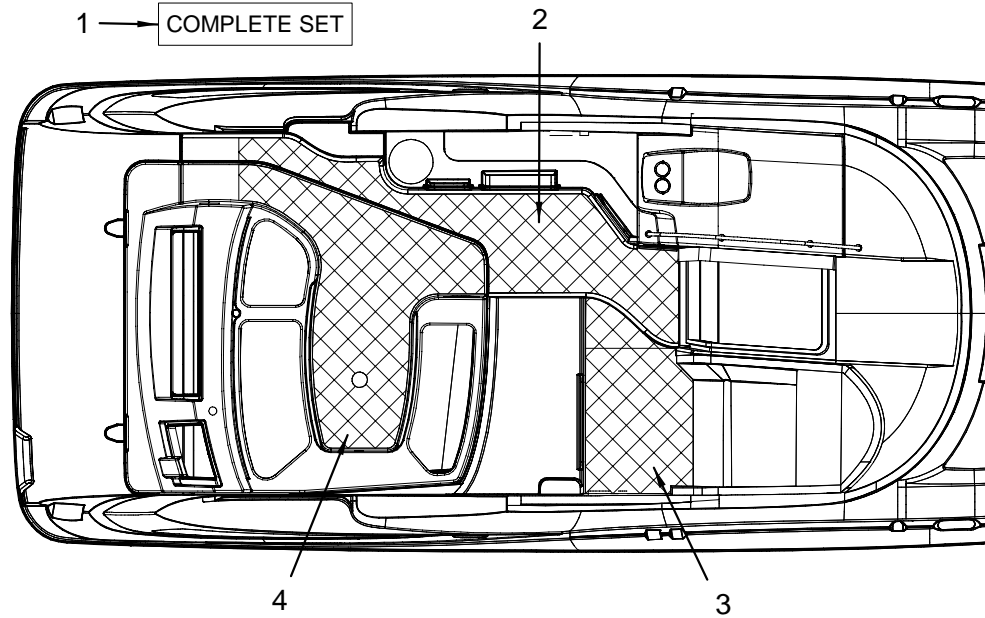
- 1 1909081 PANEL, ELEC W/RCKR SW YANMAR DSL W/TRSM IND  
(HULL# 1304 -> UP)
- 1909080 PANEL, BLANK:ELEC W/RCKR SW YANMAR W/TRSM IND  
(BLANK PANEL FOR 1909081)
- 1887537 PANEL, 310DA-07 ELEC W/RCKR SW YANMAR DSL  
(HULL# 1201 -> 1303)
- 2 1850928 TRIDATA, RAYTHEON (DEPTH,SPEED,TEMP,LOGO PLUS
- 3 1895535 ACTUATOR, ROCK BLK ENG START/STOP  
1544196 SWITCH, DBL 2-CIRCUIT PROGRESSIVE
- 4 1895539 ACTUATOR, ROCK BLK EMER START  
1526698 BODY, ROCK SW DPST MOM W/O BARRIER
- 5 1909077 PANEL, ELEC YANMAR/C80 W/TRNM IND  
(HULL# 1304 -> UP)  
(RAYMARINE - C80 CHART PLOTTER / GPS)  
(RAYMARINE C80 CHART PLOTTER / GPS / RADAR)
- 1909076 PANEL, BLANK:ELEC YANMAR/C80 W/TRNM IND  
(BLANK PANEL FOR 1909077)
- 1893408 PANEL, 310DA-08 ELEC YANMAR/C80  
(HULL# 1201 -> 1303)  
(RAYMARINE - C80 CHART PLOTTER / GPS)  
(RAYMARINE C80 CHART PLOTTER / GPS / RADAR)
- 6 1772721 NAVIGATION DISPLAY, RAYMARINE C80 8" CLR LCD  
(RAYMARINE - C80 CHART PLOTTER / GPS)  
(RAYMARINE C80 CHART PLOTTER / GPS / RADAR)
- 7 1887703 LIGHT, INDICATOR GREEN 15V



**NORTHSTAR VHF RADIO**

- 1 1839235 RADIO, VHF NRTHSTR PLAT COLOR
- 1888915 RADIO, VHF NRTHSTR SNGL STA GRY 6100/EURO  
(CE COUNTIES ONLY)
- 2 1807908 BASE, PLAS NRTHSTR VHF RADIO BLKBOX  
(PART OF 1839235)
- 3 1807869 HARNESS, NRTHSTR VHF BLKBX TO SPKR CBL 72"  
(PART OF 1839235)
- 4 1807871 HARNESS, NRTHSTR VHF BLKBX PWR CBL 6'  
(PART OF 1839235)
- 5 1896838 SPEAKER, REMOTE NRTHSTR VHF BLKBOX BLK  
(PART OF 1839235)
- 6 1878760 RADIO, VHF MIC PLATE BLK  
(PART OF 1839235)
- 7 1807870 HARNESS, NRTHSTR VHF BLKBX SPKR-HNDSET EXT 3'
- 8 1896837 RADIO, VHF NRTHSTR BLKBOX PLAT COLOR HANDSET  
(PART OF 1839235)
- 9 1851777 RADIO, VHF MIC CLIP ONLY  
(PART OF 1839235)

**COCKPIT SNAP-IN CARPET LINER**



**COCKPIT SNAP-IN CARPET LINER**

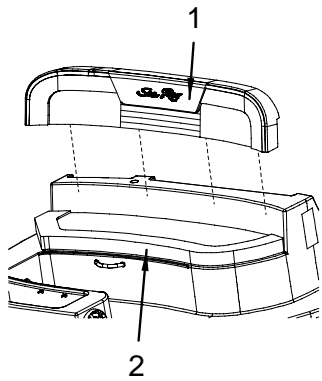
- 1 1909088 310DA 08,CARPET LINER,CMPLT CKPT
- 2 1909089 310DA 08,CARPET LINER,PRT FWD CKPT
- 3 1909090 310DA 08,CARPET LINER,STB FWD CKPT
- 4 1909091 310DA 08,CARPET LINER,AFT CKPT
- 5 1609916 CARPET, EXT 28 OZ DUNE PEBBLE #902 RL 7"W
- 6 1895033 SNAP BUTTON, W/ 1/8" SS BARREL
- 7 1911055 BINDING, CANVAS 1" NEW PWTR STRAIGHT SNBRLA
- 8 1790664 SNAP REINFORCEMENT, PLAS BACKER 500 PC/ROLL
- 9 1163864 SNAP SOCKET, W/ 1/8" HOLE
- 10 154369 SNAP STUD, W/#8 X 3/8" PH SS

**COCKPIT STORAGE/NON-VISIBLE CARPET**

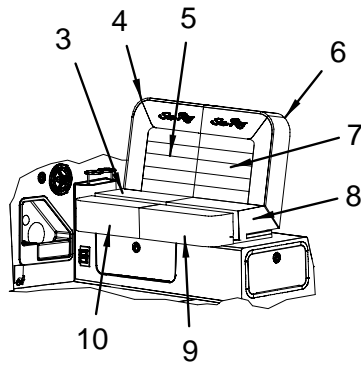
- 1894637 CARPET, EXT 24 OZ GUNMETAL BT 7.5'



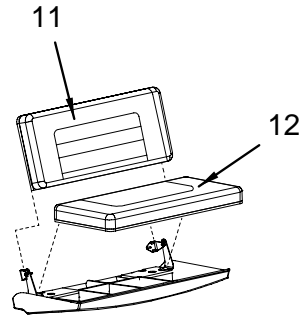
COCKPIT (UPHOLSTERY)



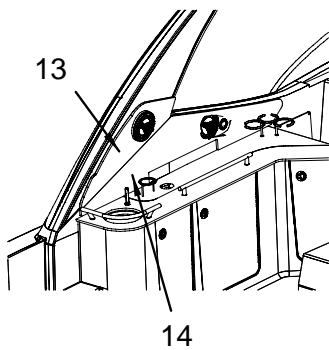
AFT SEAT



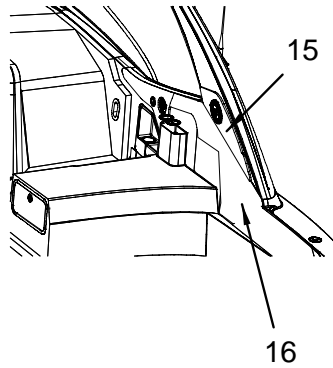
HELM SEAT



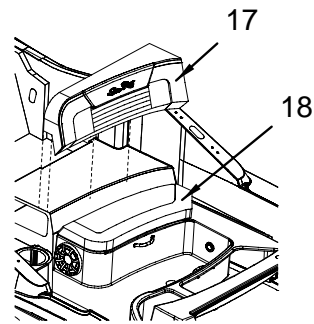
TRANSOM SEAT



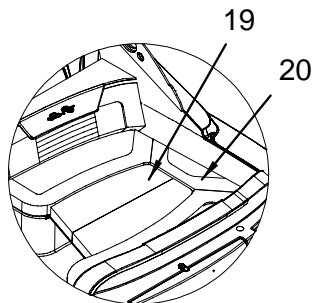
PORT SIDE PANELS



STARBOARD SIDE PANELS



AFT FACING SEAT



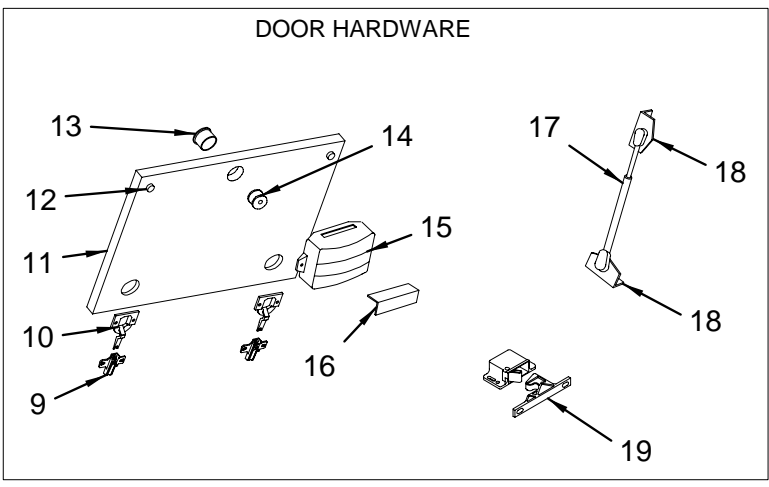
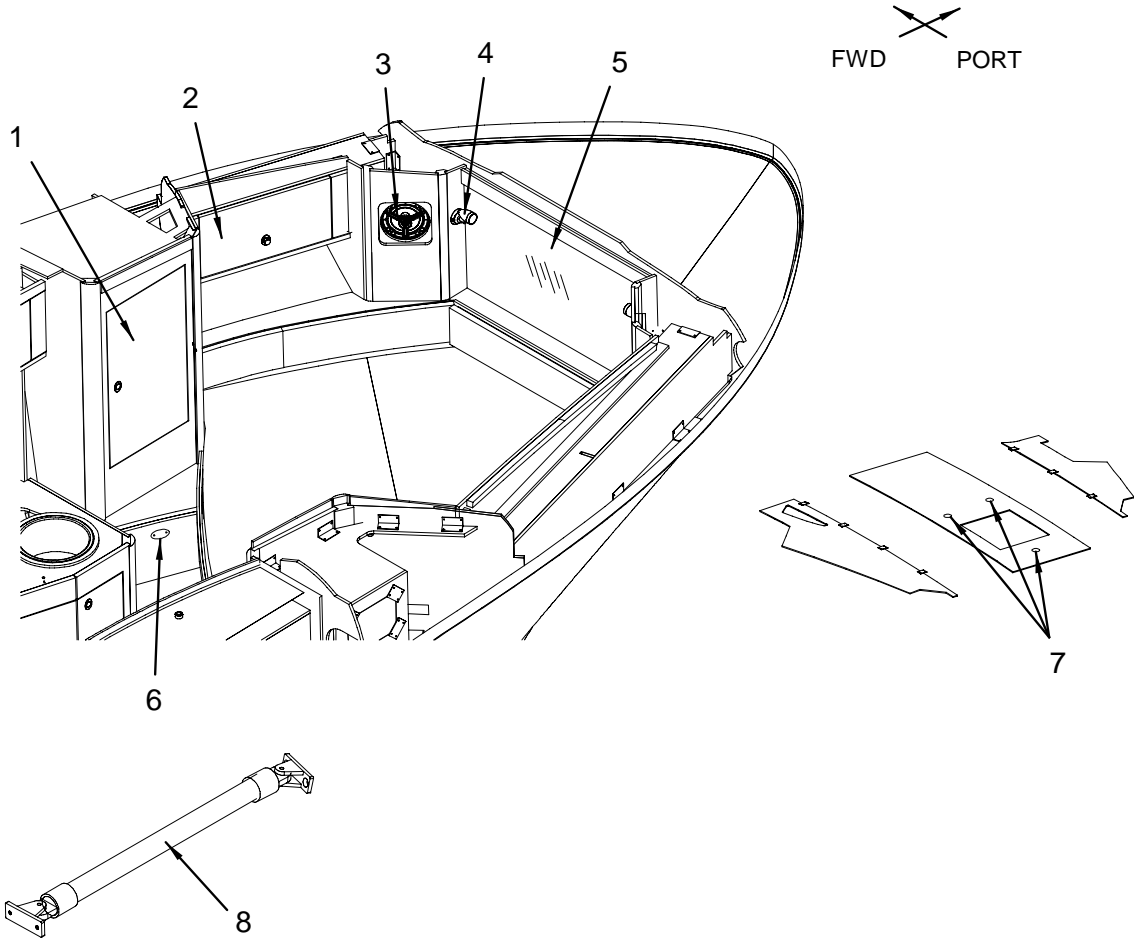
FILLER CUSHION

## COCKPIT (UPHOLSTERY)

1	1903183	BCKRST, 310DA-08 CKPT AFT SEAT OMNV CHMPGN (HULL# 1219 -> UP)	13	1888520	PNL SKN, 310DA-07 SPLR ACNT PRT W/SPKR OMNOVA (HULL# 1201 -> 1286) (INSTALLED WITH VELCRO)	
	1919303	B/R SKN, 310DA-08 CKPT AFT SEAT OMNOVA CHMPGN (HULL# 1219 -> UP)		1286426	VELCRO, DUAL LOCK CLR 1"X 50YD W/ADH BACK	
	1848252	BCKRST, 310DA-07 CKPT AFT SEAT OMNOVA (HULL# 1201 -> 1218)	14	1908031	PANEL, 310DA-08 CKPT PRT SIDE N/GRL WHT UNDRL (HULL# 1287 -> UP)	
	1888499	B/R SKN, 310DA-07 CKPT AFT SEAT OMNOVA (HULL# 1201 -> 1218)		1936121	PNL SKN, 310DA-08 CKPT PRT SIDE N/GRL OMNOVA (HULL# 1287 -> UP)	
2	1903181	CUSH, 310DA-08 CKPT AFT SEAT OMNV CHMPGN (HULL# 1219 -> UP)		1848254	PANEL, 310DA-07 CKPT PRT SIDE N/GRL OMNOVA (HULL# 1201 -> 1286)	
	1936113	CUSH SKN, 310DA-08 CKPT AFT SEAT OMNOVA CHMPG (HULL# 1219 -> UP)		1888516	PNL SKN, 310DA-07 CKPT PRT SIDE N/GRL OMNOVA (HULL# 1201 -> 1286)	
	1848249	CUSH, 310DA-07 CKPT AFT SEAT OMNOVA (HULL# 1201 -> 1218)		1908032	PANEL, 310DA-08 CKPT PRT SIDE W/GRL WHT UNDRL (HULL# 1287 -> UP)	
	1888503	CUSH SKN, 310DA-07 CKPT AFT SEAT OMNOVA (HULL# 1201 -> 1218)		1936122	(GRILL, COCKPIT - BUILT IN - 120V/60) (GRILL, COCKPIT - BUILT IN - 220V/50)	
	609883	CLEAT, PLAS 3/4"X 1"X 4" GREY		1849754	PNL SKN, 310DA-08 CKPT PRT SIDE W/GRL OMNOVA (HULL# 1287 -> UP)	
3	1848968	HELMSEAT, 310DA-07 STB SEAT BTM OMNOVA		1888517	(GRILL, COCKPIT - BUILT IN - 120V/60) (GRILL, COCKPIT - BUILT IN - 220V/50)	
	1888512	H/S SKN, 310DA-07 STB SEAT BTM OMNOVA		15	1908034	PANEL, 310DA-08 SPLR ACNT STB W/SPKR N/TREE (HULL# 1287 -> UP)
	1883852	HELMSEAT, 310DA-07 STB SEAT BTM INSERT OMNOVA		1936123	PNL SKN, 310DA-08 SPLR ACNT STB W/SPKR OMNOVA (HULL# 1287 -> UP)	
	1888513	H/S SKN, 310DA-07 STB SEAT BTM INSERT OMNOVA		1890899	PANEL, 310DA SPLR ACNT STB W/SPKR OMNV N/TREE (HULL# 1201 -> 1286) (INSTALLED WITH VELCRO)	
4	1903177	HELMSEAT, 310DA-08 STB SEAT BCK OMNV CHMPGN (HULL# 1219 -> UP)		1888521	PNL SKN, 310DA-07 SPLR ACNT STB W/SPKR OMNOVA (HULL# 1201 -> 1286) (INSTALLED WITH VELCRO)	
	1936114	H/S SKN, 310DA-08 STB SEAT BACK OMNOVA CHMPG (HULL# 1219 -> UP)		1286426	VELCRO, DUAL LOCK CLR 1"X 50YD W/ADH BACK	
	1846991	HELMSEAT, 310DA-07 STB SEAT BCK OMNOVA (HULL# 1201 -> 1218)	16	1908029	PANEL, 310DA-08 CKPT STB SIDE WHT UNDRLNG (HULL# 1287 -> UP)	
	1888510	H/S SKN, 310DA-07 STB SEAT BACK OMNOVA (HULL# 1201 -> 1218)		1936124	PNL SKN, 310DA-08 CKPT STB SIDE OMNOVA (HULL# 1287 -> UP)	
5	1883851	HELMSEAT, 310DA-07 STB SEAT BCK INSERT OMNOVA		1848253	PANEL, 310DA-07 CKPT STB SIDE OMNOVA (HULL# 1201 -> 1286)	
	1888511	H/S SKN, 310DA-07 STB SEAT BACK INSERT OMNOVA		1888519	PNL SKN, 310DA-07 CKPT STB SIDE OMNOVA (HULL# 1201 -> 1286)	
6	1903176	HELMSEAT, 310DA-08 PRT COMPSEAT BCK OMN CHMPG (HULL# 1219 -> UP)		17	1903178	BCKRST, 310DA-08 CKPT AFT FCNG SEAT OMN CHMPG (HULL# 1219 -> UP)
	1936115	H/S SKN, 310DA-08 PRT COMP SEAT BCK OMNV CHMP (HULL# 1219 -> UP)		1936125	B/R SKN, 310DA-08 CKPT AFT FCNG SEAT OMNOVA (HULL# 1219 -> UP)	
	1846990	HELMSEAT, 310DA-07 PRT COMP SEAT BCK OMNOVA (HULL# 1201 -> 1218)		1848246	BCKRST, 310DA-07 CKPT AFT FCNG SEAT OMNOVA (HULL# 1201 -> 1218)	
	1888506	H/S SKN, 310DA-07 PRT COMP SEAT BACK OMNOVA (HULL# 1201 -> 1218)		1888497	B/R SKN, 310DA-07 CKPT AFT FCNG SEAT OMNOVA (HULL# 1201 -> 1218)	
7	1883853	HELMSEAT, 310DA-07 PRT SEAT BCK INSERT OMNOVA	18	1903179	CUSH, 310DA-08 CKPT AFT FCNG SEAT OMNV CHMPGN (HULL# 1219 -> UP)	
	1888507	H/S SKN, 310DA-07 PRT SEAT BACK INSERT OMNOVA		1936126	CUSH SKN, 310DA-08 CKPT AFT FCNG SEAT OMNOVA (HULL# 1219 -> UP)	
8	1848966	HELMSEAT, 310DA-07 PRT COMP SEAT BTM OMNOVA		1848247	CUSH, 310DA-07 CKPT AFT FACING SEAT OMNOVA (HULL# 1201 -> 1218)	
	1888508	H/S SKN, 310DA-07 PRT COMP SEAT BTM OMNOVA		1888501	CUSH SKN, 310DA-07 CKPT AFT FCNG SEAT OMNOVA (HULL# 1201 -> 1218)	
	1883854	HELMSEAT, 310DA-07 PRT SEAT BTM INSERT OMNOVA		609883	CLEAT, PLAS 3/4"X 1"X 4" GREY	
	1888509	H/S SKN, 310DA-07 PRT SEAT BTM INSERT OMNOVA	19	1848251	CUSH, 310DA-07 CKPT AFT FLR OMNOVA	
9	1903184	HELMSEAT, 310DA-08 PRT COMP THGHR OMN CHMPGN (HULL# 1219 -> UP)		1888502	CUSH SKN, 310DA-07 CKPT AFT FLR OMNOVA	
	1936116	H/S SKN, 310DA-08 PRT COMP THRS OMNOVA CHMPG (HULL# 1219 -> UP)		20	1903180	CUSH, 310DA-08 CKPT STB SEAT OMNV CHMPGN (HULL# 1219 -> UP)
	1848965	HELMSEAT, 310DA-07 PRT COMP THGHR OMNOVA (HULL# 1201 -> 1218)		1936127	CUSH SKN, 310DA-08 CKPT STB SEAT OMNOVA CHMPG (HULL# 1219 -> UP)	
	1888859	H/S SKN, 310DA-07 PRT COMP THRS OMNOVA (HULL# 1201 -> 1218)		1848248	CUSH, 310DA-07 CKPT STB SEAT OMNOVA (HULL# 1201 -> 1218)	
10	1903186	HELMSEAT, 310DA-08 STB THGHR OMNV CHMPGN (HULL# 1219 -> UP)		1888504	CUSH SKN, 310DA-07 CKPT STB SEAT OMNOVA (HULL# 1201 -> 1218)	
	1936117	H/S SKN, 310DA-08 STB THRS OMNOVA CHMPG (HULL# 1219 -> UP)				
	1848967	HELMSEAT, 310DA-07 STB THRS OMNOVA (HULL# 1201 -> 1218)				
	1888514	H/S SKN, 310DA-07 STB THRS OMNOVA (HULL# 1201 -> 1218)				
11	1903258	BCKRST, 310DA-08 TRNSM SEAT OMNOVA CHMPGN (HULL# 1219 -> UP)				
	1936118	B/R SKN, 310DA-08 TRNSM SEAT OMNOVA CHMPG (HULL# 1219 -> UP)				
	1849747	BCKRST, 310DA-07 TRNSM SEAT OMNOVA (HULL# 1201 -> 1218)				
	1888500	B/R SKN, 310DA-07 TRNSM SEAT OMNOVA (HULL# 1201 -> 1218)				
12	1903182	CUSH, 310DA-08 TRNSM SEAT OMNV CHMPGN (HULL# 1219 -> UP)				
	1936119	CUSH SKN, 310DA-08 TRNSM SEAT OMNOVA CHMPG (HULL# 1219 -> UP)				
	1848250	CUSH, 310DA-07 TRNSM SEAT OMNOVA (HULL# 1201 -> 1218)				
	1888505	CUSH SKN, 310DA-07 TRNSM SEAT OMNOVA (HULL# 1201 -> 1218)				
13	1908033	PANEL, 310DA-08 SPLR ACNT PRT W/SPKR N/TREE (HULL# 1287 -> UP) (INSTALLED WITH VELCRO)		1617281	BRACKET, BLSTR CKPT ANGLED 1/4" STND-OFF SS	
	1936120	PNL SKN, 310DA-08 SPLR ACNT PRT W/SPKR OMNOVA (HULL# 1287 -> UP) (INSTALLED WITH VELCRO)		1798770	BRACKET, HELM SEAT 3/4"X2.25"X1/2"OFF-SET SS	
	1890898	PANEL, 310DA SPLR ACNT PRT W/SPKR OMNV N/TREE (HULL# 1201 -> 1286) (INSTALLED WITH VELCRO)				

## NOT SHOWN

FORWARD STATEROOM (PORT VIEW)



**FORWARD STATEROOM (PORT VIEW)**

- 1 1909087 310DA 08,DOOR,FWD STRM PRT H/L
- 2 1909092 310DA 08,DOOR,FWD STRM PRT GNWL
- 3 1690557 SPEAKER, COAXIAL 6.5" N/CVR
- 4 1803184 SPOTLIGHT, SWVL TASK BRSHD SS W/SW W/CONN
- 1820310 BULB, REPL FOR #1803184/1831205  
**(REPLACEMENT BULB FOR 1803184)**
- 5 1909094 310DA 08,MIR ASSY,FWDSTRM
- 1838236 MIRROR, 1/8"X 20.5"X 38.75"CLEAR
- 6 1900646 LIGHT, COURTESY OBLNG LED BRSHD SS SURF W/CON  
**(HULL# 1207 -> UP)**  
**(LED NOT REPLACEABLE)**
- 1771066 LIGHT, COURTESY OVAL STEP ANT WHT (INT)W/CONN  
**(HULL# 1201 -> 1206)**
- 1184639 BULB, REPL FOR MRP #0840850 (STEP LT)  
**(REPLACEMENT BULB FOR 1771066)**
- 7 1803185 LIGHT, INDIRECT LED WHT BUTTON W/COLLAR/CONN  
**(LED NOT REPLACEABLE)**
- 8 639724 BAR, HANGING ROD (CLOTHES) ALUM 18"
- 9 525667 HINGE, CONCEALED FULL OVERLAY MT PLATE ONLY
- 10 814350 HINGE, CONCEALED FULL OVERLAY 100DEG W/DOWEL  
**(GUNWALE DOORS)**
- 839399 HINGE, SELF CLOSING BLUM SCREW-ON
- 11 1888271 MICA, 4'X8"X.030"SR MEDIUM CHRY 09254-90 GR20
- 1891015 MICA, PVC EDGE BAND 7/8"X .017 KEN MAPLE
- 1891908 MICA, PVC EDGE BAND 7/8"X .017 MED CHRY 90GLS
- 898882 MICA, PVC EDGE BAND 7/8"X .017 BLK MATTE
- 12 663708 BUMPER, CLEAR .020" THICK
- 13 1776837 PULL, ROSETTE SAT/NCKL RND 16MM (5/8")
- 14 1742136 PULL, PUSH-BUTTON KNOB SAT/NCKL
- 15 772418 CATCH, RIM-LOCK WHT
- 16 761445 CATCH, RIM-LOCK STRIKE PLATE
- 17 950287 CYLINDER, GAS 20PSI 10"EXT X 7"COMP
- 18 634550 BRACKET, SS GAS CYL 90DEG L-BRKT W/BALL LONG
- 19 390849 CATCH, GRABBER LATCH W/10LB HOLD BLK PLAS

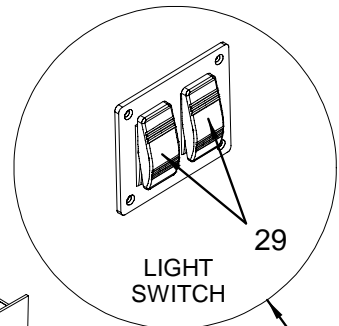
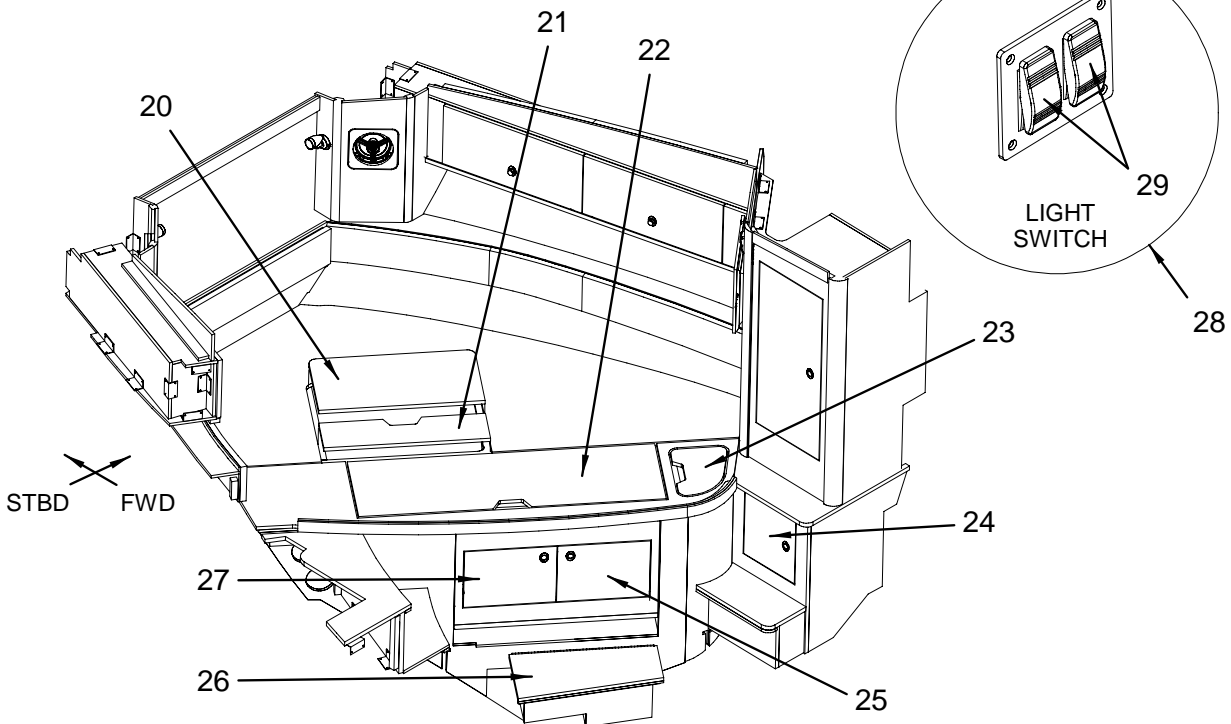
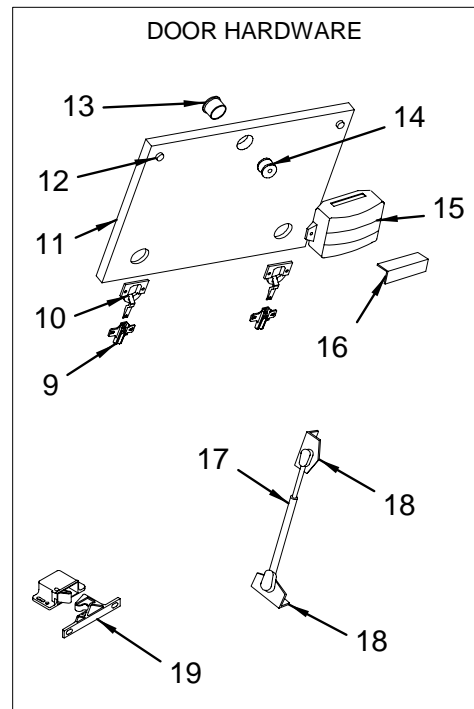
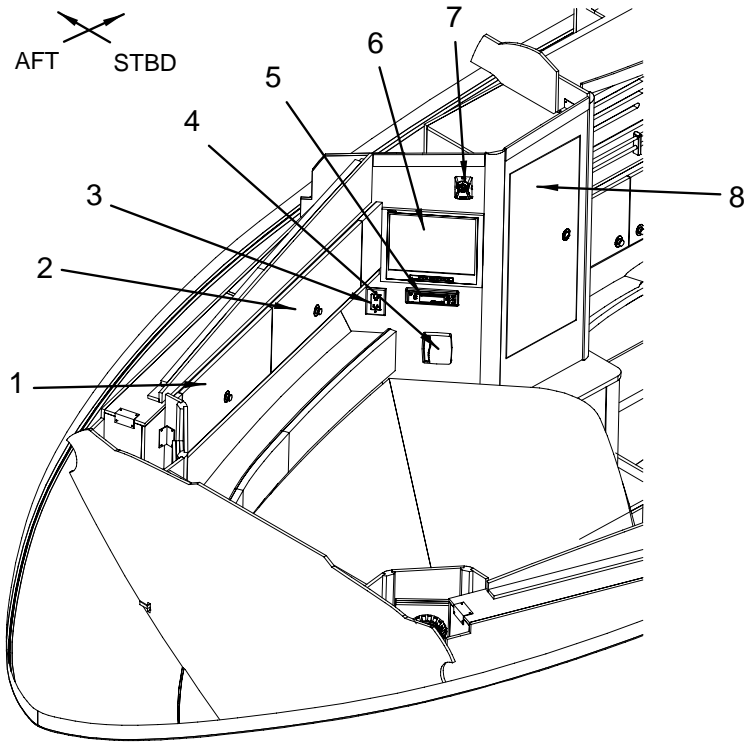
**NOT SHOWN**

- 835843 BRACKET, ALUM 1"X 1/2"X 3" 3/16"HOLES 2SIDES
- 836023 BRACKET, ALUM 1.5"X 1.5"X 1.5" 3/16"HOLES
- 952929 BRACKET, ALUM 1"X 1/8"X 3" 3/16"HOLES
- 1690661 BRACKET, PVC 1.5"X 0.5"X 3" 3/16"HOLES
- 952804 BRACKET, ALUM 2"X 1/8"X 5" 8@3/16"HOLES

**PRIVACY CURTAIN**

- 737239 TRACK, ALUM CURT TRK 8' I BEAM TYPE
- 157461 UPH PARTS, END STOP W/LOOP
- 186676 UPH PARTS, DRAPE CEILING BRKT
- 221325 UPH PARTS, END STOP W/SCREW

FORWARD STATEROOM (STARBOARD VIEW)



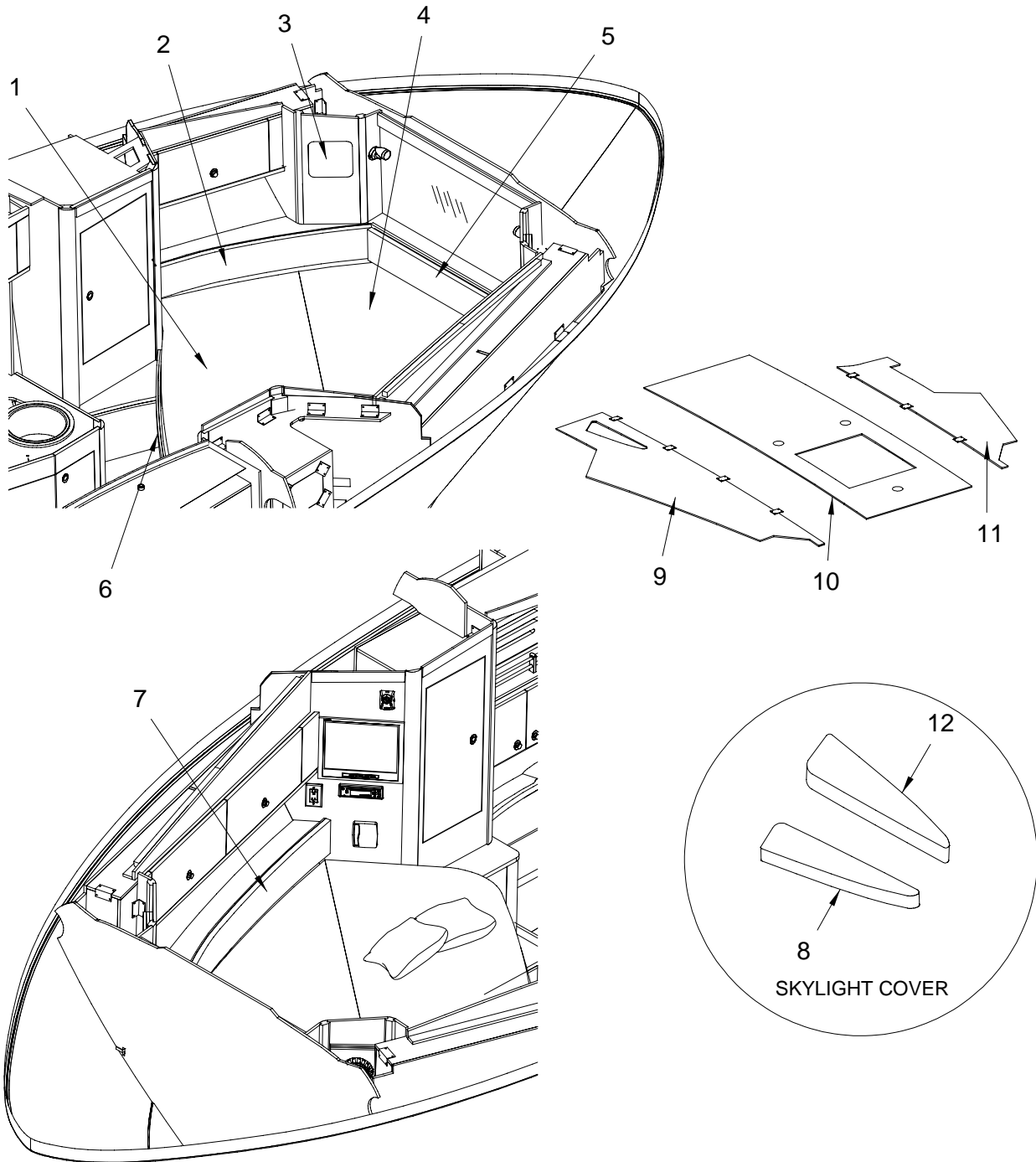
## FORWARD STATEROOM (STARBOARD VIEW)

- 1 1909097 310DA 08,DOOR,FWD STRM STB FWD GNWL
- 2 1909098 310DA 08,DOOR,FWD STRM STB AFT GNWL
- 3 1787506 RECEPTACLE, DUPLEX BLACK 15A
- 1787521 COVER PLATE, SGL DUPLEX RECEPT BLK LVT
- 627737 BOX, RECEPTACLE/SWITCH PVC 1-GANG DEEP
- 1787551 RECEPTACLE, GERMAN STD MOS WHT(SNAP CVR) LVT  
(220 VOLT / 50 CYCLE ELECTRICAL SYSTEM)
- 1787565 RECEPTACLE, LEVITON EXT W/CVR 220/50 GERMAN  
(220 VOLT / 50 CYCLE ELECTRICAL SYSTEM)
- 4 1805241 A/C COMP, CONTROLLER SMXHT DISPLAY DX-GREY  
(AIR CONDITIONING / HEATING-12000BTU-120V/60)  
(AIR CONDITIONING / HEATING-12000BTU-220V/50)
- 5 1817493 DVD, KEC 12V DVD3 DIN  
(TV 15" FLATSCRN / DVD/ GAMING PORT-V-BERTH)
- 1819303 DVD, KEC 12V DVD3 ZONEFREE  
(TV 15" FLATSCRN / DVD/ GAMING PORT-V-BERTH WITH ZONE  
FREE DVD)
- 1848849 REMOTE, DVD KEC 12V DVD2M/3M ZONEFREE  
(REMOTE FOR 1817493 & 1819303)
- 6 1852692 TELEVISION, 15"LG LCD HDTV BLK W/BTM SPKR  
(TV 15" FLATSCRN / DVD/ GAMING PORT-V-BERTH)
- 1872710 REMOTE, TV 15"LG LCD HDTV BLK W/BTM SPKR  
(REMOTE FOR 1852692)
- 1872088 TELEVISION, 15" LG LCD 220V 15C1RB  
(TV 15" FLATSCRN / DVD/ GAMING PORT-V-BERTH WITH PAL  
T.V. TUNER)
- 1888310 REMOTE, TV 15" LG LCD 220V 15C1RB  
(REMOTE FOR 1872088)
- 1838714 HARNESS, 310DA-07 TV/DVD 15"  
(TV 15" FLATSCRN / DVD/ GAMING PORT-V-BERTH)
- 1750880 CABLE, RCA AUDIO 6' W/EFX-2 CONN W/NOISE SUPP  
(TV 15" FLATSCRN / DVD/ GAMING PORT-V-BERTH)
- 1787506 RECEPTACLE, DUPLEX BLACK 15A  
(TV 15" FLATSCRN / DVD/ GAMING PORT-V-BERTH)
- 1787521 COVER PLATE, SGL DUPLEX RECEPT BLK LVT  
(TV 20" FLATSCREEN / DVD/ GAMING PORT/ SALON)
- 1768472 PLUG, 220V BLK RECEPTACLE  
(220 VOLT WITH TV 15" FLATSCRN / DVD/ GAMING  
PORT-V-BERTH)
- 637058 CONN, COAX EURO TV ADAPTER "F" TYPE  
(220 VOLT WITH TV 15" FLATSCRN / DVD/ GAMING  
PORT-V-BERTH)
- 7 1816919 MONITOR, CO DETECTOR WHT CMD-4-RLY
- 1816921 PLATE, CO MONITOR BCKNG CMD-4M-RLY-FCB W/CONN
- 8 1909099 310DA 08,DOOR,FWD STRM STB H/L
- 9 525667 HINGE, CONCEALED FULL OVERLAY MT PLATE ONLY
- 10 814350 HINGE, CONCEALED FULL OVERLAY 100DEG W/DOWEL  
(GUNWALE DOORS)
- 839399 HINGE, SELF CLOSING BLUM SCREW-ON
- 11 1888271 MICA, 4'X8"X.030"SR MEDIUM CHRY 09254-90 GR20
- 1891015 MICA, PVC EDGE BAND 7/8"X .017 KEN MAPLE
- 1891908 MICA, PVC EDGE BAND 7/8"X .017 MED CHRY 90GLS
- 898882 MICA, PVC EDGE BAND 7/8"X .017 BLK MATTE
- 12 663708 BUMPER, CLEAR .020" THICK
- 13 1776837 PULL, ROSETTE SAT/NCKL RND 16MM (5/8")
- 14 1742136 PULL, PUSH-BUTTON KNOB SAT/NCKL
- 15 772418 CATCH, RIM-LOCK WHT
- 16 761445 CATCH, RIM-LOCK STRIKE PLATE
- 17 950287 CYLINDER, GAS 20PSI 10"EXT X 7"COMP
- 18 634550 BRACKET, SS GAS CYL 90DEG L-BRKT W/BALL LONG
- 19 390849 CATCH, GRABBER LATCH W/10LB HOLD BLK PLAS
- 20 1909100 310DA 08,HATCH,FWD A/C
- 21 1909101 310DA 08,HATCH,AFT A/C
- 22 1909102 310DA 08,HATCH,AFT BUNK
- 23 1909103 310DA 08,HATCH,STB BUNK
- 24 1909104 310DA 08,DOOR,FWD STRM STB LWR
- 25 1909105 310DA 08,DOOR,FWD STRM BUNK STB
- 26 1909106 310DA 08,LID,FWD STRM FLR STRG
- 198663 HINGE, AL CONT FORM/SGL 1.25"X 72" BLK
- 27 1909107 310DA 08,DOOR,FWD STRM BUNK PRT
- 28 1804371 PANEL, 290DA-06 CABIN LT SW DUAL 2-WAY BLK
- 29 1541655 ACTUATOR, ROCK SWITCH-LIGHTS BLK  
(PART OF 1804371)
- 1609312 BODY, ROCK SW SPDT BLK 12V INCAND NON-LIT  
(PART OF 1804371)

## NOT SHOWN

- 1903943 TRIM RING, 310DA-08 T/F SKYLIGHT LWR STB TAN  
(HULL# 1306 -> UP)
- 1903945 TRIM RING, 310DA-08 T/F SKYLIGHT UPR STB TAN  
(HULL# 1306 -> UP)
- 1806313 TRIM RING, T/F SKYLIGHT INR CUSTOM STB TAN  
(HULL# 1201 -> 1305)

FORWARD STATEROOM (UPHOLSTERY)



**FORWARD STATEROOM (UPHOLSTERY)**

1	1909112	310DA 08,MATT,AFT FWD STRM
	1909113	310DA 08,MATT SKN,AFT FWD STRM
2	1909108	310DA 08,BLSTR,FWD STRM PRT
	1909109	310DA 08,BLSTR SKN,FWD STRM PRT
3	1909302	310DA 08,CVR,SPKR FWDSTRM
4	1909110	310DA 08,MATT,FWD FWD STRM
	1909111	310DA 08,MATT SKN,FWD FWD STRM
5	1909298	310DA 08,BLSTR,FWDSTRM CTR
	1909299	310DA 08,BLSTR SKN,FWDSTRM CTR
6	1909114	310DA 08,BLSTR,FWD STRM BUNK
	1909115	310DA 08,BLSTR SKN,FWD STRM BUNK
7	1909116	310DA 08,BLSTR,FWD STRM STB
	1909117	310DA 08,BLSTR SKN,FWD STRM STB
8	1909301	310DA 08,CVR,STB SKYLIGHT FWDSTRM
9	1909096	310DA 08,PANEL,CEILING FWD STRM STB
10	1909095	310DA 08,PANEL,CEILING FWD STRM CTR
11	1909093	310DA 08,PANEL,CEILING FWD STRM PRT
12	1909300	310DA 08,CVR,PRT SKYLIGHT FWDSTRM

**VINYL - ACCENT**

1874814 VINYL, ALLANTE II ALABASTER EXP FLAT  
(CABINETRY TRIM)

**VINYLS**

1883982 VINYL, RVIEW ALABASTER N/W 1/2"FB

**BUNK BOLSTER MATERIAL**

1004050	VINYL, ULTRALTHR BUFF #3609 (INTERIOR 1A & 1B)
845594	VINYL, ULTRALTHR DOE 3601 (INTERIOR 3A & 3B)

**CUSHIONS & BOLSTERS**

1883621	FABRIC, COLLINS/MOCHA FLAT (INTERIOR 1A)
1883625	FABRIC, PALM/SISAL FLAT (INTERIOR 1B)
1883657	FABRIC, SANTIAGO/BONE FLAT (INTERIOR 3A)
1907484	FABRIC, HARVARD/TAUPE FLAT (INTERIOR 3B)
1890126	FABRIC, COLLINS/MOCHA-6"DIA QLT 10 OZ/AC/B (INTERIOR 1A)
1890127	FABRIC, PALM/SISAL-6"DIA QLT 10 OZ/AC/B (INTERIOR 1B)
1890128	FABRIC, SANTIAGO/BONE-6"DIA QLT 10 OZ/AC/B (INTERIOR 3A)
1905965	FABRIC, HARVARD/TAUPE 6"DIA QLT 10OZ/AC/B (INTERIOR 3B)

**FOAM**

1838692	FOAM, P/C 310DA-07 FWD STRM CUSH W/VSCO ELSTC
1838694	FOAM, P/C 310DA-07 FWD STRM BLSTR ST

**HEADLINER/ HULL LINER**

1883771	VINYL, RVIEW ALABASTER N/W 1/4"FB
---------	-----------------------------------

**INTERIOR CARPET**

1883614	CARPET, INT 44 OZ PRAIRIE TAN 6'W (INTERIOR 1A & 1B)
1883672	CARPET, INT 44 OZ ASH 6'W (INTERIOR 3A & 3B)

**NOT SHOWN**

1893700	BUMPER, CLEAR 3/8"W X 5/32"T
---------	------------------------------

**PRIVACY CURTAIN**

1888941	CURTAIN, 310DA-08 LUSTRE/IVORY FWD PRIV
---------	---

**SHEETS**

1839312	SHEET, 310DA-07 FWDSTRM FITTED W/PLWCS (NEUTRAL COLOR FITTED SHEETS)
---------	---

**SPEAKER COVER MATERIAL**

1892967	FABRIC, SPKR CLOTH CREPE ALABASTR 3001 1/8"FB
---------	---

**STORAGE & BUNK TOPS**

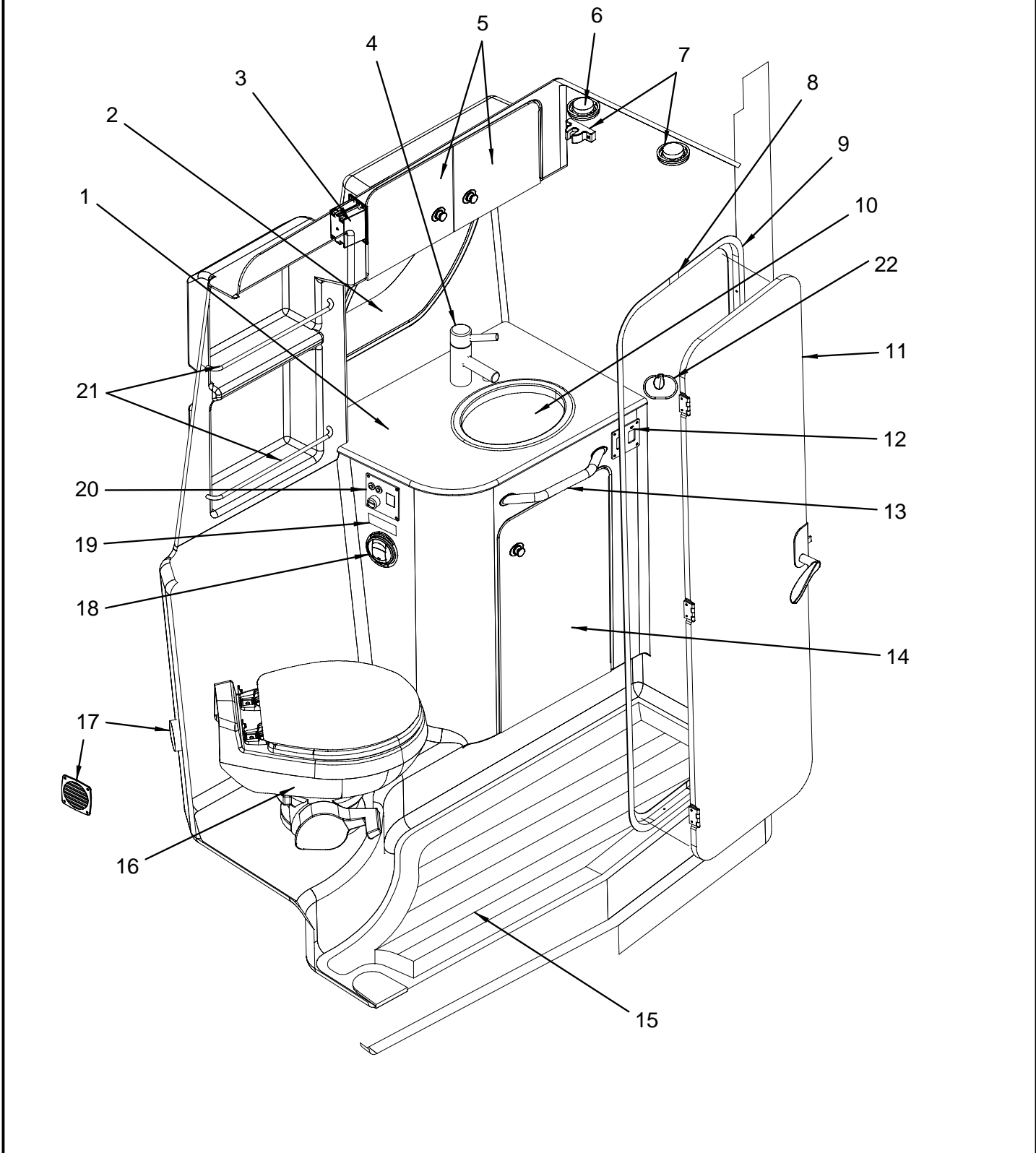
1883894	FABRIC, GEOMETRIC CRM (NDLPNCH) W/BACK
---------	--

**UPHOLSTERY**

1235589	TACK STRIP, POLYPROPYLENE 3/8"
180182	ZIPPER, #5 DELRIN CONTINUOUS WHT
180406	SLIDE, DELRIN #5 WHT 1-S LOCK



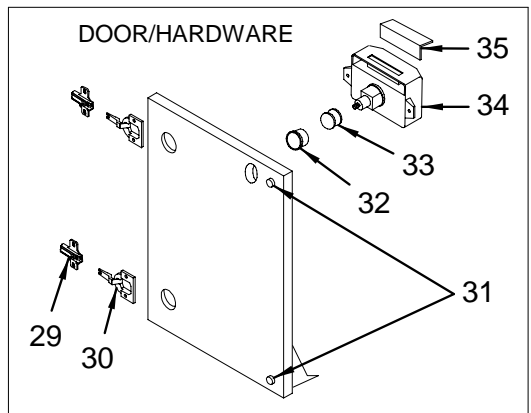
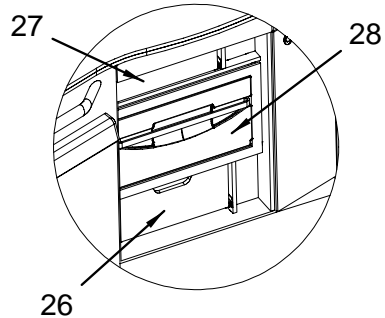
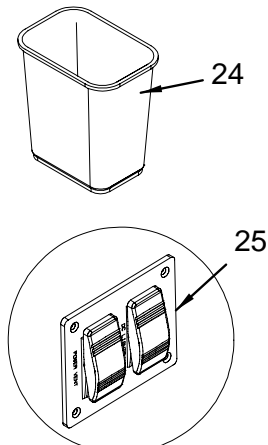
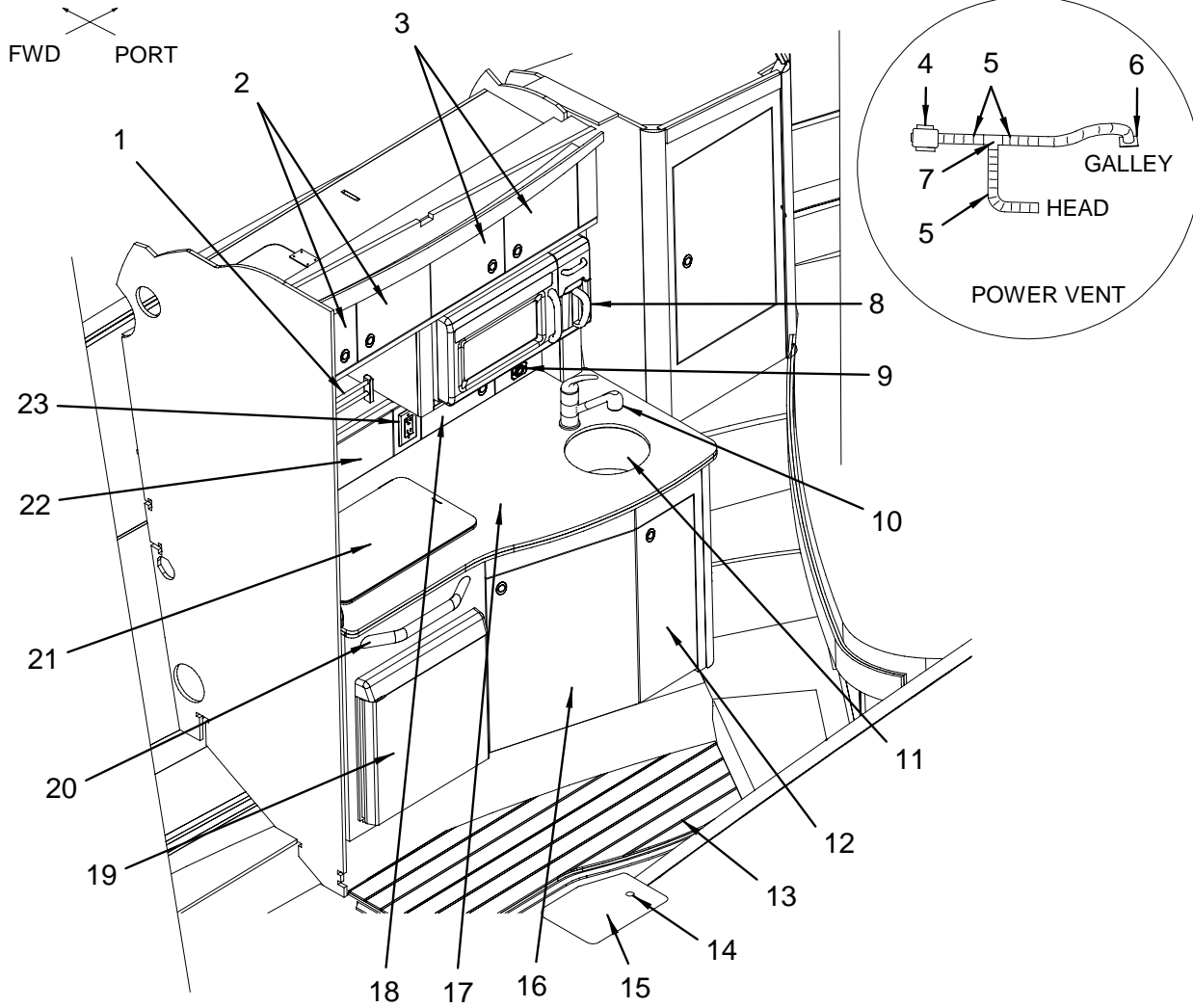
PORT HEAD



## PORT HEAD

- |    |         |   |                         |         |  |
|----|---------|---|-------------------------|---------|--|
| 1  | 1893082 | TOP, CORIAN 310DA-08 HEAD VAN AURORA  | 18                      | 1322940 | A/C COMP, GRILL 3" BLK W/DBL LVR<br>(AIR CONDITIONING / HEATING-12000BTU-120V/60)  |
| 2  | 1838022 | TRIM RING, V/F PORTLIGHT INNER CUSTOM 07 PRL  | 19                      | 1745156 | (AIR CONDITIONING / HEATING-12000BTU-220V/50)<br>LABEL, NOTICE OVERBOARD DISCHARGE (LEXAN)<br>(VACUUM FLUSH HEAD W/ DIRECT OVER BOARD INTL)<br>(MACERATOR W/ SEACOCK INTERLOCK SYSTEM) |
| 3  | 1881816 | RECEPTACLE, GFCI DPLX WHT W/IND/SMRTLCK 15A   | 20                      | 1802480 | PANEL, 290DA-06 WASTE SYS CNTRL  |
|    | 1787551 | RECEPTACLE, GERMAN STD MOS WHT(SNAP CVR) LVT<br>(220 VOLT / 50 CYCLE ELECTRICAL SYSTEM)                           | 893800                  |         | PANEL, WASTE LEVEL INDICATOR 12V<br>(PART OF 1802480)  |
|    | 627737  | BOX, RECEPTACLE/SWITCH PVC 1-GANG DEEP  | 533109                  |         | BRKR, P/BTN-MANUAL RESET 10A<br>(PART OF 1802480)  |
| 4  | 1895059 | FAUCET, HEAD SNGL LVR 6.2"RISE BR/NI PULLOUT<br>(HULL# 1207 -> UP)  | 557785                  |         | SWITCH, IGN STARTER<br>(PART OF 1802480)<br>(REPLACEMENT KEYS FOR SWITCH LISTED BELOW)   |
|    | 1908583 | VALVE, HEAD/GLY FAUCET F/97800 & 97810<br>(PART OF 1895059)   | 1729450                 |         | KEY, SIERRA PK501A   |
|    | 1908584 | SHOWER ASSY, SS SPRAYER HOSE F/97800 & 97810<br>(PART OF 1895059)   | 1778652                 |         | KEY, SIERRA PK521J   |
|    | 1908585 | FAUCET, HDWR MNTG KIT F/1895055 & 1895059<br>(PART OF 1895059)  | 1778656                 |         | KEY, SIERRA PK576K   |
|    | 1908586 | FAUCET, SS HOT/COLD RISER<br>(PART OF 1895059)  | 1778657                 |         | KEY, SIERRA PK611M   |
|    | 1908587 | FAUCET, LEVER HNDL ALAN SCREW<br>(PART OF 1895059)  | 1778658                 |         | KEY, SIERRA PK628H   |
|    | 1908588 | FAUCET, RED/BLUE DOT<br>(PART OF 1895059)   | 1778659                 |         | KEY, SIERRA PK631N   |
|    | 1908589 | FAUCET, LEVER MIXER HNDL<br>(PART OF 1895059)   | 1778660                 |         | KEY, SIERRA PK665P   |
|    | 1908590 | FAUCET, HOSE/SPRAY HEAD GASKET<br>(PART OF 1895059)   | 1778661                 |         | KEY, SIERRA PK673F   |
|    | 1908591 | FAUCET, HOSE WEIGHT F/97800/97810/98656<br>(PART OF 1895059)  | 21                      | 1894002 | RAIL, GRAB 3/8"OD X16 1/8"X 2.25"BRSHD 304SS<br>(HULL# 1202 -> UP)   |
|    | 1908592 | FAUCET, SPRAY HEAD ONLY F/97800<br>(PART OF 1895059)  |                         | 1838026 | RAIL, GRAB 3/8"OD X 16 1/8"X 2.25" 304SS<br>(HULL# 1201 ONLY)  |
|    | 1908593 | FAUCET, WALL SPRAYER HOLDER<br>(PART OF 1895059)  | 22                      | 1743969 | HOLDER, TOWEL RING PLAT/CHR VILLETA SERIES<br>(HULL# 1207 -> UP)   |
|    | 1772520 | FAUCET/SHOWER, BRUSHED NCKL/CHR PULLOUT<br>(HULL# 1201 -> 1206)   | <b>DOOR HARDWARE</b>    |         |  |
|    | 1853913 | FAUCET/SHOWER, SPRAYER ONLY BRSHD NCKL/CHR<br>(PART OF 1772520)   | 663708                  |         | BUMPER, CLEAR .020" THICK  |
|    | 1853914 | FAUCET/SHOWER, HOSE WASHER ONLY<br>(PART OF 1772520)  | 622050                  |         | BUMPER, CLEAR THIN 3/8"  |
|    | 1853916 | FAUCET/SHOWER, BRASS HOT/COLD VALVE ONLY<br>(PART OF 1772520)   | 776567                  |         | CATCH, ROUND PLAS 13/16" "DUAL LOCK" (3M)  |
|    | 1853917 | FAUCET/SHOWER, HDWR KIT W/WTS<br>(PART OF 1772520)  | 847327                  |         | PLATE, STRIKER MOBELLA 13/16"WIDE  |
| 5  | 1838341 | DOOR, HDPE 11 3/8"X 10 3/8"PRL 2PC W/NCKLPSH<br>CATCH, RIM-LOCK WHT<br>(PART OF 1838341)                          | <b>NOT SHOWN</b>        |         |  |
|    | 1742136 | PULL, PUSH-BUTTON KNOB SAT/NCKL<br>(PART OF 1838341)  | 1574862                 |         | MIRROR, 1/8"X 14"X 24"CLR W/1.5"RAD/POL  |
|    | 1776837 | PULL, ROSETTE SAT/NCKL RND 16MM (5/8")<br>(PART OF 1838341)   | <b>POWER VENT</b>       |         |  |
| 6  | 1771003 | LIGHT, COURTESY RND W/FRST LENS 12V/5W W/CONN<br>BULB, REPL FOR #0840868 12V/5W<br>(REPLACEMENT BULB FOR 1771003) | 1819766                 |         | BLOWER, BILGE 3" FACE MNT #5412 W/CONN   |
|    | 1192368 | FAUCET/SHOWER, HANGER ONLY<br>(PART OF 1772520)   | <b>SHOWER CURTAIN</b>   |         |  |
| 7  | 1853915 | LABEL, DOOR SECURED UNDERWAY  | 1075415                 |         | CURTAIN, SHOWER ECRU 66.5"X 24"  |
| 8  | 1771209 | FRAME, ALUM 64"X 19 5/8" ARC WHT  | 132183                  |         | TRACK, ALUM CURT TRK 0.275"X 0.688" TAB TYPE   |
| 9  | 1577618 | SINK, SS GLY/HEAD OVAL 10.5"X 13.25"SATIN   | <b>WASHABLE SURFACE</b> |         |  |
| 10 | 146753  | 310DA 08,DOOR,HEAD CMPLT  | 1883771                 |         | VINYL, RVIEW ALABASTER N/W 1/4"FB  |
| 11 | 1909118 | LATCH, OFFSHR FLSH LH-OUT PRVKNB SAT/NCK 5/8"   |                         |         |  |
|    | 1776672 | HINGE, BUTT CHROME/ZINC 2"  |                         |         |  |
|    | 132324  | MIRROR, PLEX 320/340SDA-07 HEAD DOOR CLR  |                         |         |  |
| 12 | 1581917 | PANEL, HEAD LIGHT/PWR VENT SW<br>ACTUATOR, ROCK SWITCH-LIGHTS BLK<br>(LIGHTS - PART OF 1581917)                   |                         |         |  |
|    | 1541655 | BODY, ROCK SW SPST BLK 12V INCAND NON-LIT<br>(LIGHTS - PART OF 1581917)   |                         |         |  |
|    | 797761  | BODY, ROCK SW SPDT BLK 12V INCAND NON-LIT<br>(POWER VENT - PART OF 1581917)                                       |                         |         |  |
|    | 1609312 | ACTUATOR, ROCK SWITCH-POWER VENT BLK<br>(POWER VENT - PART OF 1581917)  |                         |         |  |
|    | 1647577 | RAIL, GRAB 12"STREAMLINE W/FLANGS BRSHD 316L<br>(HULL# 1202 -> UP)  |                         |         |  |
| 13 | 1878161 | RAIL, GRAB 12" STREAMLINE W/FLANGES (316L)<br>(HULL# 1201 ONLY)   |                         |         |  |
|    | 1747836 | DOOR, HDPE 14 5/8"X 25.25" PRL W/BULB SEAL<br>CATCH, RIM-LOCK WHT<br>(PART OF 1838340)                            |                         |         |  |
| 14 | 1838340 | PULL, PUSH-BUTTON KNOB SAT/NCKL<br>(PART OF 1838340)  |                         |         |  |
|    | 772418  | PULL, ROSETTE SAT/NCKL RND 16MM (5/8")<br>(PART OF 1838340)   |                         |         |  |
|    | 1742136 | HOLDER, TOILET PAPER WALL MNT WHT ROLLER  |                         |         |  |
|    | 1776837 | TEAK, P/C 310DA-07 HEAD FLOOR W/BRDR/PSA  |                         |         |  |
|    | 1155241 | HEAD, VACU-FLUSH BONE 5006 BTM DCHG LOW PRFLE   |                         |         |  |
| 15 | 1848727 | HEAD, SEAT ASSY VAC-FLUSH BONE 5048 BACK DIS<br>(PART OF 1846853)   |                         |         |  |
| 16 | 1846853 | VENT, LOUVERED 3 5/8"X 3 5/8" BLK   |                         |         |  |
|    | 1872707 |   |                         |         |  |
| 17 | 1052059 |   |                         |         |  |

GALLEY



## GALLEY

1	1802257	STANCHION, SS 290DA-06 STRG SHELF END	17	1893079	TOP, CORIAN 310DA-08 GLY BCKSPLSH AURORA (AURORA COUNTERTOP)
	1802279	STANCHION, SS 290DA-06 STRG SHELF CNTR	18	1909132	310DA 08.DOOR.GLY MID FWD
	1804381	ROD, ACRYLIC 1/2"X 6' BLK	19	1658368	REFRIGERATOR, 2.7 CF 12/24V 120/60HZ
2	1909119	310DA 08.DOOR.GLY UPR LH		1671064	REFRIGERATOR, 2.7 CF AC/DC 220/50 (220 VOLT / 50 CYCLE ELECTRICAL SYSTEM)
3	1909120	310DA 08.DOOR.GLY UPR RH		1787507	RECEPTACLE, DUPLEX BRN 15A LVT
4	1819766	BLOWER, BILGE 3" FACE MNT #5412 W/CONN		1787508	COVER PLATE, SGL DUPLEX RECEPT BRN LVT
5	124024	HOSE, VENT/BLOWER 3" EX HVY DTY		627737	BOX, RECEPTACLE/SWITCH PVC 1-GANG DEEP
	256727	CLAMP, HOSE #48 1 5/8"-3.5" SS .505		1787551	RECEPTACLE, GERMAN STD MOS WHT(SNAP CVR) LVT (220 VOLT / 50 CYCLE ELECTRICAL SYSTEM)
6	948968	A/C COMP, HOSE RING 3" PLAS ROUND	20	1878208	RAIL, GRAB 18" OVAL W/STUD BRSHD 316L
7	279166	TEE, PVC 2"F SLIP ALL THE WAY	21	1182997	STOVE, ELEC 2-BURNER CARIBBEAN COOKTOP 110
8	1784446	MICROWAVE, 1.2CF W/COFFEE MAKER		1183003	STOVE, ELEC 2-BURNER CARIBBEAN COOKTOP 220 (220 VOLT / 50 CYCLE ELECTRICAL SYSTEM)
	1850334	MICROWAVE, RING W/WHEELS (PART OF 1784446)		1324185	STOVE, ALC/ELEC 2-BURNER NON-PRESS #436 (ALCOHOL / ELECTRIC STOVE-120V/60 - 2 BURNER)
	1850337	MICROWAVE, GLASS PLATE (PART OF 1784446)		1324193	STOVE, ALC/ELEC 2-BURNER 220V/50 #436 (ALCOHOL / ELECTRIC STOVE-120V/50 - 2 BURNER)
	1850338	MICROWAVE, COFFEE POT (PART OF 1784446)		1765379	RAIL, STOVE ALCOHOL/ELECTRIC 300DA (ALCOHOL / ELECTRIC STOVE-120V/60 - 2 BURNER) (ALCOHOL / ELECTRIC STOVE-220V/50 - 2 BURNER)
	1850339	MICROWAVE, FILTER BASKET (PART OF 1784446)		1891917	COVER, CORIAN 310/330DA-08 STOVE AURORA (BURNT AMBER COUNTERTOP)
	1793050	MICROWAVE, SYLVANIA 0.5CF BLK 220V (220 VOLT / 50 CYCLE ELECTRICAL SYSTEM)		144899	BOX, PVC SWITCH BOX
	1787507	RECEPTACLE, DUPLEX BRN 15A LVT		144907	COVER PLATE, SWITCH BOX BLUE PVC
	1787508	COVER PLATE, SGL DUPLEX RECEPT BRN LVT		1194539	SWITCH, PUSH-BUTTON STOVE W/48"20GA WIRE 12OZ
	627737	BOX, RECEPTACLE/SWITCH PVC 1-GANG DEEP		1817495	RELAY, 120VAC 30 AMP SPDT
9	1287283	RECEPTACLE, FEMALE 12V LONG THRD BLK		583906	RELAY, 240VAC 50/60 HZ 20 AMP DPDT (220 VOLT / 50 CYCLE ELECTRICAL SYSTEM)
	1259977	PLATE, FEMALE 12V RECEPTACLE MNT	22	1909133	310DA 08.DOOR.GLY MID AFT
10	1895055	FAUCET, GLY SNGL LVR 7.2"RISE BR/NI PULLOUT (HULL# 1207 -> UP)	23	1787506	RECEPTACLE, DUPLEX BLACK 15A
	1908583	VALVE, HEAD/GLY FAUCET F/97800 & 97810 (PART OF 1895055)		1787521	COVER PLATE, SGL DUPLEX RECEPT BLK LVT
	1908584	SHOWER ASSY, SS SPRAYER HOSE F/97800 & 97810 (PART OF 1895055)		627737	BOX, RECEPTACLE/SWITCH PVC 1-GANG DEEP
	1908585	FAUCET, HDWR MNTG KIT F/1895055 & 1895059 (PART OF 1895055)		1787551	RECEPTACLE, GERMAN STD MOS WHT(SNAP CVR) LVT (220 VOLT / 50 CYCLE ELECTRICAL SYSTEM)
	1908586	FAUCET, SS HOT/COLD RISER (PART OF 1895055)	24	431098	BASKET, TRASH 11 3/8"X 8.25"X 12 1/8" BEIGE
	1908587	FAUCET, LEVER HNDL ALAN SCREW (PART OF 1895055)	25	1806288	PANEL, 300/320/340SDA-06 GLY LIGHT/VNT SW BLK
	1908588	FAUCET, RED/BLUE DOT (PART OF 1895055)		1609858	ACTUATOR, ROCK SWITCH-LIGHTS BLK 90DEG ICON (LIGHTS - PART OF 1806288)
	1908589	FAUCET, LEVER MIXER HNDL (PART OF 1895055)		797761	BODY, ROCK SW SPST BLK 12V INCAND NON-LIT (LIGHTS - PART OF 1806288)
	1908590	FAUCET, HOSE/SPRAY HEAD GASKET (PART OF 1895055)		1609338	ACTUATOR, ROCK SWITCH-LIGHTS BLK (POWER VENT - PART OF 1806288)
	1908591	FAUCET, HOSE WEIGHT F/97800/97810/98656 (PART OF 1895055)		1609312	BODY, ROCK SW SPST BLK 12V INCAND NON-LIT (POWER VENT - PART OF 1806288)
	1908594	FAUCET, SPRAY HEAD ONLY F/97810 (PART OF 1895055)	26	1909123	310DA 08.DRWR.GLY LWR
	1772522	FAUCET, GLY 7"RISE BRUSHED NCKL/CHR (HULL# 1201 -> 1206)		1727147	DRAWER SLIDE, ROLLER METAL 12" ALFIT 1702
	1807537	FAUCET, GLY 7"RISE HANDLE CAP BRSHD NCKL/CHR (PART OF 1772522)	27	1909124	310DA 08.DRWR.GLY UPR
	1807538	FAUCET, GLY 7"RISE HNDL SCREW BRSHD NCKL/CHR (PART OF 1772522)		1727149	DRAWER SLIDE, ROLLER METAL 16" ALFIT 1702
	1807539	FAUCET, GLY 7"RISE HNDL WASHER BRSHD NCKL/CHR (PART OF 1772522)		777102	TRAY, "REV-A-SHELF" CUTLERY TRAY 12"
	1807540	FAUCET, GLY 7"RISE HNDL RING BRSHD NCKL/CHR (PART OF 1772522)	28	1846980	REFRIGERATOR, 1.3CF DRAWER 12/24VDC BLK DOOR
	1807541	FAUCET, GLY 7"RISE HANDLE BRSHD NCKL/CHR (PART OF 1772522)	29	525667	HINGE, CONCEALED FULL OVERLAY MT PLATE ONLY
	1807542	VALVE, FAUCET GLY 7"RISE CLD SIDE (PART OF 1772522)	30	839399	HINGE, SELF CLOSING BLUM SCREW-ON
	1807543	FAUCET, GLY 7"RISE SPOUT BRSHD NCKL/CHR (PART OF 1772522)	31	663708	BUMPER, CLEAR .020" THICK
	1807544	FAUCET, GLY 7"RISE AERATOR BRSHD NCKL/CHR (PART OF 1772522)	32	1776837	PULL, ROSETTE SAT/NCKL RND 16MM (5/8")
	1807545	FAUCET, GLY 7"RISE MOUNTING BRSHD NCKL/CHR (PART OF 1772522)	33	1742136	PULL, PUSH-BUTTON KNOB SAT/NCKL
11	1063445	SINK, SS 12"DIA X 7"DEEP RND	34	772418	CATCH, RIM-LOCK WHT
	175687	DRAIN, SINK STRAINER 2.5" SS W/5/8"BARB	35	761445	CATCH, RIM-LOCK STRIKE PLATE
	1839033	DRAIN, SINK STRAINER BASKET ONLY (PART OF 175687)	<b>BLINDS</b>		
	266130	DRAIN, LINER W/90 DEG ELBOW 1" PLASTIC	1849765	BLINDS, 310DA-07 GLY PLTD SHADE BONE 26.5X15	
12	1909121	310DA 08.DOOR.GLY FWD LWR	<b>ELECTRICAL</b>		
13	1909304	310DA 08.FLR.TEAK GLY (FLOORING, SIMULATED TEAK - CABIN)	893289	FRAME, IDEA-SERIES 3-GANG SUPPORT FRAME GREY (220 VOLT / 50 CYCLE ELECTRICAL SYSTEM)	
	1782245	FLOORING, TEAK 2 3/8"W1/4"BLK GROUT LINE 4X10 (FLOORING, SIMULATED TEAK - CABIN)	975029	COVER PLATE, IDEA-SERIES 3-GANG WHT (220 VOLT / 50 CYCLE ELECTRICAL SYSTEM)	
14	140111	LIFT HANDLE, HATCH LIFT BOLT W/RING 3"	975011	SWITCH, BLANK IDEA-SERIES WHT (220 VOLT / 50 CYCLE ELECTRICAL SYSTEM)	
15	1909303	310DA 08.HATCH.FLR STRG GLY	975037	BRKR, IDEA 230V 2P EURO GFCI 16A 10MA WHT (220 VOLT / 50 CYCLE ELECTRICAL SYSTEM)	
16	1909122	310DA 08.DOOR.GLY AFT	<b>LABELS</b>		
17	1893080	TOP, CORIAN 310DA-08 GLY W/ELEC STOVE AURORA (AURORA COUNTERTOP)	1743616	LABEL, UNPLUG SHORE POWER WARNING	
	1893081	TOP, CORIAN 310DA-08 GLY W/ALCH STOVE AURORA (AURORA COUNTERTOP)	1744738	LABEL, RECEPTACLE 12V-15A MAX (LEXAN)	
			1744745	LABEL, DISPOSAL OF GARBAGE	
			1745124	LABEL, EXH FAN MUST BE ON WHEN COOK APPL USED	
			<b>LIGHTS</b>		
			1803185	LIGHT, INDIRECT LED WHT BUTTON W/COLLAR/CONN (LED NOT REPLACEABLE)	
			1805075	LIGHT, RIGG 6.25"RECESSED 12V/20W SAT NCKL	
			1425024	BULB, REPL FOR #1197466 12V/20W HALOGEN (REPLACEMENT BULB FOR 1805075)	

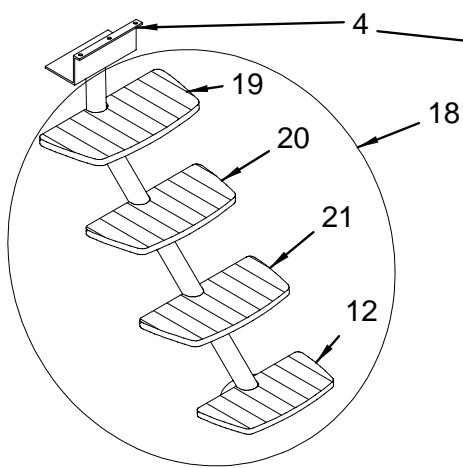
**NOT SHOWN**

- 1903942 TRIM RING, 310DA-08 T/F SKYLIGHT LWR PRT TAN  
(HULL# 1306 -> UP)
- 1903944 TRIM RING, 310DA-08 T/F SKYLIGHT UPR PRT TAN  
(HULL# 1306 -> UP)
- 1806312 TRIM RING, T/F SKYLIGHT INR CUSTOM PRT TAN  
(HULL# 1201 -> 1305)
- 1897478 FBRGLS PART, STOVE INSERT 2-BURNER BLK

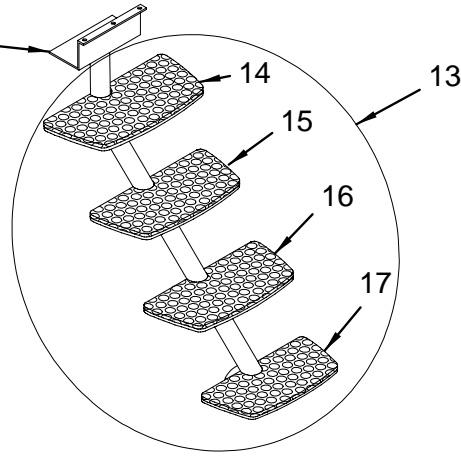
**VINYL - ACCENT**

- 1874814 VINYL, ALLANTE II ALABASTER EXP FLAT  
(CABINETRY TRIM)

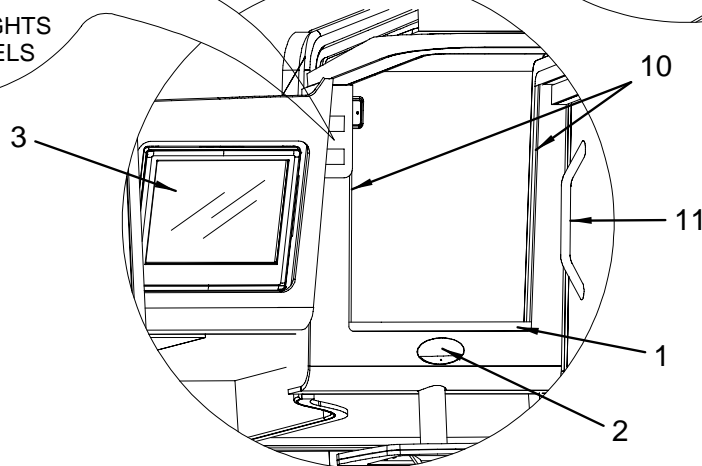
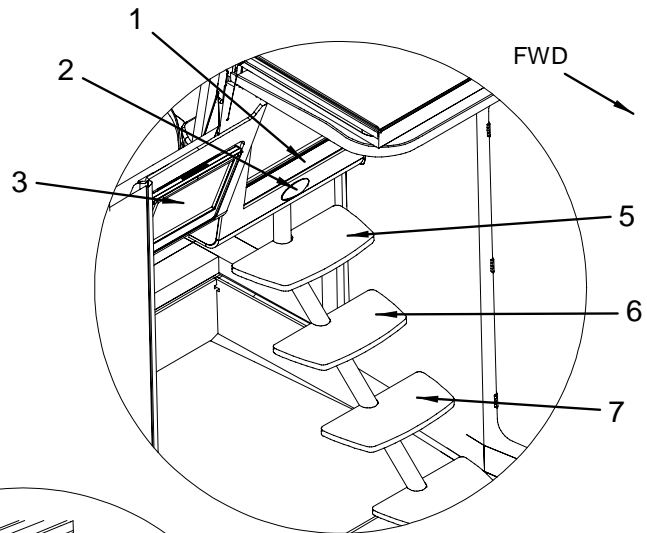
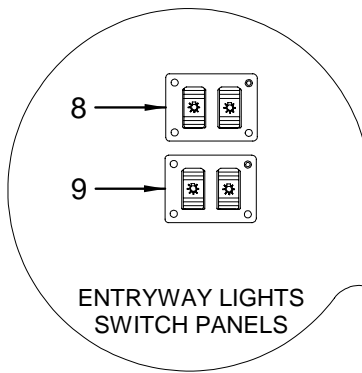
COMPANIONWAY AND ENTRY STEPS



OPTIONAL TEAK STEPS



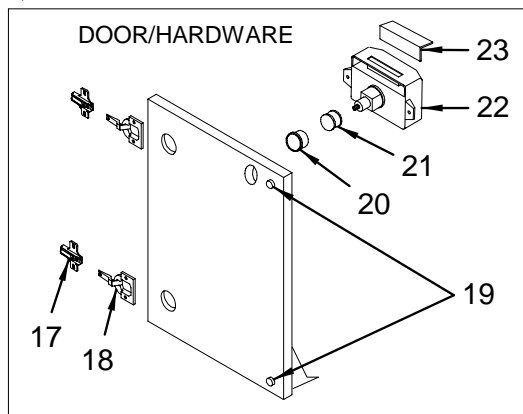
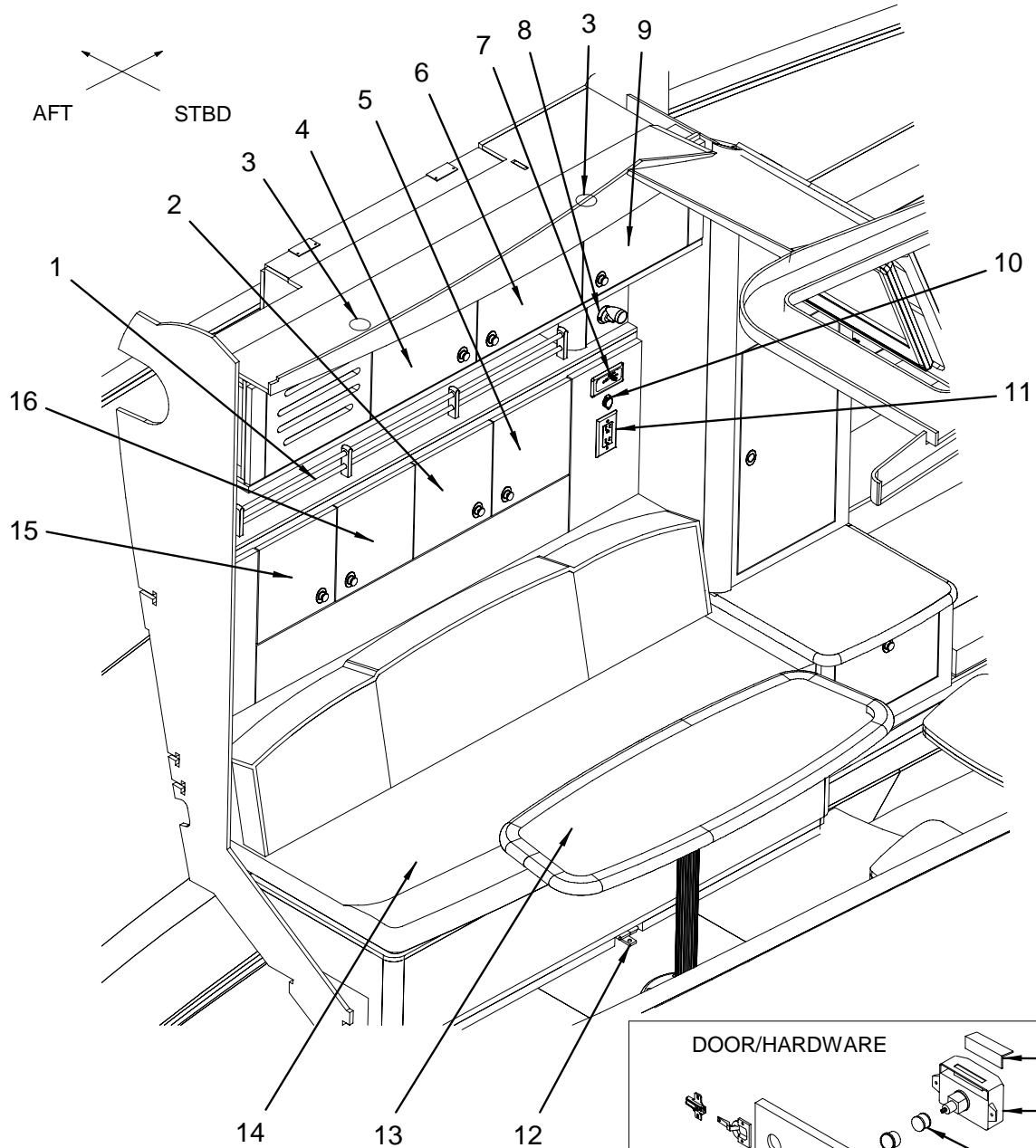
STANDARD LONCOIN STEPS



## COMPANIONWAY AND ENTRY STEPS

- 1 1848995 THRESHOLD, SS 310DA-07 ENTRYWAY 22.5"
- 2 1900646 LIGHT, COURTESY OBLNG LED BRSHD SS SURF W/CON  
(HULL# 1207 -> UP)
- 1771066 LIGHT, COURTESY OVAL STEP ANT WHT (INT)W/CONN  
(HULL# 1201 -> 1206)
- 1184639 BULB, REPL FOR MRP #0840850 (STEP LT)  
(REPLACEMENT BULB FOR 1771066)
- 3 1888148 TELEVISION, 20" LG LCD  
(TV 20" FLATSCREEN / DVD/ GAMING PORT/ SALON)
- 1872710 REMOTE, TV 15"LG LCD HDTV BLK W/BTM SPKR  
(REMOTE FOR 1888148)
- 1891291 TELEVISION, 20" TOSHIBA LCD 220V 20VL63G  
(TV 20" FLATSCREEN / DVD/ GAMING PORT/ SALON WITH PAL  
T.V. TUNER)
- 1897153 REMOTE, TV 15"/20" TOSHIBA  
(REMOTE OF 1891291)
- 1750880 CABLE, RCA AUDIO 6' W/EFX-2 CONN W/NOISE SUPP  
(TV 20" FLATSCREEN / DVD/ GAMING PORT/ SALON)
- 1787506 RECEPTACLE, DUPLEX BLACK 15A  
(TV 20" FLATSCREEN / DVD/ GAMING PORT/ SALON)
- 1787521 COVER PLATE, SGL DUPLEX RECEPT BLK LVT  
(TV 20" FLATSCREEN / DVD/ GAMING PORT/ SALON)
- 1768472 PLUG, 220V BLK RECEPTACLE  
(220 VOLT WITH TV 20" FS/DVD/GAMING PORT/SALON)
- 637058 CONN, COAX EURO TV ADAPTER "F" TYPE  
(220 VOLT WITH TV 20" FS/DVD/GAMING PORT/SALON)
- 4 1892766 STEP, ALUM 310DA-07 ENTRYWAY 4-STEP PWDRC
- 5 1909317 310DA 08,STEP, TOP LONCOIN ENTRYWAY
- 1316983 FLOORING, VINYL LONCOIN II FLECKS SANDSTONE
- 1909320 310DA 08,STEP, TOP TEAK ENTRYWAY  
(FLOORING, SIMULATED TEAK - CABIN)
- 1896787 TEAK, P/C 310DA-07 ENTRY STEPS 4PC  
(FLOORING, SIMULATED TEAK - CABIN)
- 1783977 MOLDING, T-MOLD/PVC 1 5/8"X 25' BLK  
(FLOORING, SIMULATED TEAK - CABIN)
- 6 1909318 310DA 08,STEP, CTR LONCOIN ENTRYWAY
- 1316983 FLOORING, VINYL LONCOIN II FLECKS SANDSTONE
- 1909321 310DA 08,STEP, CTR TEAK ENTRYWAY  
(FLOORING, SIMULATED TEAK - CABIN)
- 1896787 TEAK, P/C 310DA-07 ENTRY STEPS 4PC  
(FLOORING, SIMULATED TEAK - CABIN)
- 1783977 MOLDING, T-MOLD/PVC 1 5/8"X 25' BLK  
(FLOORING, SIMULATED TEAK - CABIN)
- 7 1909319 310DA 08,STEP, LWR LONCOIN ENTRYWAY
- 1316983 FLOORING, VINYL LONCOIN II FLECKS SANDSTONE
- 1909322 310DA 08,STEP, LWR TEAK ENTRYWAY  
(FLOORING, SIMULATED TEAK - CABIN)
- 1896787 TEAK, P/C 310DA-07 ENTRY STEPS 4PC  
(FLOORING, SIMULATED TEAK - CABIN)
- 1783977 MOLDING, T-MOLD/PVC 1 5/8"X 25' BLK  
(FLOORING, SIMULATED TEAK - CABIN)
- 801324 HDPE, 1/4"X 4'X 8' LAVANT II UTIL GRD BLK  
(FLOORING, SIMULATED TEAK - CABIN)
- 8 1849385 PANEL, 310DA-07 CABIN LT SW SNGL/DUAL BEIGE
- 1541655 ACTUATOR, ROCK SWITCH-LIGHTS BLK  
(AFT CABIN AND SALON LIGHTS)  
(PART OF 1849385)
- 797761 BODY, ROCK SW SPST BLK 12V INCAND NON-LIT  
(AFT CABIN AND SALON LIGHTS)  
(PART OF 1849385)
- 9 1849373 PANEL, 310DA-07 CABIN LT SW DUAL 2-WAY BEIGE
- 1541655 ACTUATOR, ROCK SWITCH-LIGHTS BLK  
(INDIRECT AND V-BERTH LIGHTS)  
(PART OF 1849373)
- 1609312 BODY, ROCK SW SPDT BLK 12V INCAND NON-LIT  
(INDIRECT AND V-BERTH LIGHTS)  
(PART OF 1849373)
- 10 912774 NOSING, VINYL 1"X 1/4"X 12' RIGID SR WHT
- 1802210 NOSING, VINYL 1"X 1/4"X 10' WARM GRY/NCKL  
(GEL-COATED DASH)
- 11 1878208 RAIL, GRAB 18" OVAL W/STUD BRSHD 316L
- 12 1909335 310DA 08,STEP, LWR TEAK ENTRYWAY 4 STEP
- 13 1909333 310DA 08,STEP, LONCOIN ENTRY 4PC CMLPT
- 14 1909332 310DA 08,STEP, TOP LONCOIN ENTRY 4 STEP
- 15 1909329 310DA 08,STEP, TOP CTR LONCOIN ENTRY 4 STEP
- 16 1909330 310DA 08,STEP, LWR CTR LONCOIN ENTRY 4 STEP
- 17 1909331 310DA 08,STEP, LWR LONCOIN ENTRY 4 STEP
- 18 1909338 310DA 08,STEP, TEAK ENTRY 4PC CMLPT
- 19 1909334 310DA 08,STEP, TOP TEAK ENTRYWAY 4 STEP
- 20 1909336 310DA 08,STEP, TOP CTR TEAK ENTRYWAY 4 STEP
- 21 1909337 310DA 08,STEP, LWR CTR TEAK ENTRYWAY 4 STEP

SALON





**SALON**

- 1 1802257 STANCHION, SS 290DA-06 STRG SHELF END
- 1802279 STANCHION, SS 290DA-06 STRG SHELF CNTR
- 1804381 ROD, ACRYLIC 1/2"X 6' BLK
- 2 1909134 310DA 08,DOOR,SLN LWR CAB CTR AFT
- 3 1819777 LIGHT, DAVID-EYEBALL SAT/NCKL RNG/FRST W/CONN
- 947796 BULB, REPL FOR TEBE/CHARLY BOY/SAMPEI/DAVID  
(REPLACEMENT BULB FOR 1819777)
- 1448463 BULB, XENON 12V/10W
- 4 1909135 310DA 08,DOOR,SLN UPR CAB FWD
- 5 1909136 310DA 08,DOOR,SLN LWR CAB AFT
- 6 1909137 310DA 08,DOOR,SLN UPR CAB CTR
- 7 1803007 VIDEO EQUIPMENT, REMOTE GAMING SYS INPUT PNL  
(TV 20" FLATSCREEN / DVD/ GAMING PORT/ SALON)
- 627737 BOX, RECEPTACLE/SWITCH PVC 1-GANG DEEP  
(TV 20" FLATSCREEN / DVD/ GAMING PORT/ SALON)
- 1885292 ROD, THREAD 4MM X 30MM SS  
(TV 20" FLATSCREEN / DVD/ GAMING PORT/ SALON)
- 1850019 SCREW, MACHINE M4 X 20MM PPH SS  
(TV 20" FLATSCREEN / DVD/ GAMING PORT/ SALON)
- 8 1803184 SPOTLIGHT, SWVL TASK BRSHD SS W/SW W/CONN
- 1820310 BULB, REPL FOR #1803184/1831205  
(REPLACEMENT BULB FOR 1803184)
- 9 1909138 310DA 08,DOOR,SLN UPR CAB AFT
- 1180041 ANTENNA, TV AMP W/SHIP/SHORE A/B SW 12/24VDC  
(TV 20" FLATSCREEN / DVD/ GAMING PORT/ SALON)
- 1581560 ANTENNA, AMPLIFIED 13398
- 1818887 STEREO, AMP PANASONIC 50WX2CHNL  
(ONLY USED ON BOAT WITHOUT PREMIUM COCKPIT SOUND  
SYSTEM - 12 VOLT)
- 10 1287283 RECEPTACLE, FEMALE 12V LONG THRD BLK
- 1259977 PLATE, FEMALE 12V RECEPTACLE MNT
- 11 1787506 RECEPTACLE, DUPLEX BLACK 15A
- 1787521 COVER PLATE, SGL DUPLEX RECEPT BLK LVT
- 627737 BOX, RECEPTACLE/SWITCH PVC 1-GANG DEEP
- 1787551 RECEPTACLE, GERMAN STD MOS WHT(SNAP CVR) LVT  
(220 VOLT / 50 CYCLE ELECTRICAL SYSTEM)
- 12 1340959 STOP, SLIDING DOOR/WINDOW CHR HVY DTY
- 13 1896362 TABLE, WOOD 45.75"X 15.5"MED CHR Y W/ALUM BASE  
(HULL# 1202 -> UP)
- 1838048 TABLE, WOOD 45.75"X 15.5"BLSMCHRY W/ALUM BASE  
(HULL# 1201 ONLY)
- 1125285 BASE, TABLE FLUSH MNT ALUM TPR CASTING
- 1657659 POST, TABLE LEG 2 7/8"X 30" ANOD FLUTED
- 14 1743535 DRAWER SLIDE, METAL 18" HVY DTY/FULL EXT
- 15 1909139 310DA 08,DOOR,SLN LWR CAB FWD
- 16 1909140 310DA 08,DOOR,SLN LWR CAB CTR FWD
- 17 525667 HINGE, CONCEALED FULL OVERLAY MT PLATE ONLY
- 18 839399 HINGE, SELF CLOSING BLUM SCREW-ON
- 19 663708 BUMPER, CLEAR .020" THICK
- 20 1776837 PULL, ROSETTE SAT/NCKL RND 16MM (5/8")
- 21 1742136 PULL, PUSH-BUTTON KNOB SAT/NCKL
- 22 772418 CATCH, RIM-LOCK WHT
- 23 761445 CATCH, RIM-LOCK STRIKE PLATE

**BLINDS**

- 1849764 BLINDS, 310DA-07 SLN PLTD SHADE BONE 47.25X15

**HARNESSES**

- 1838709 HARNESS, 310DA-07 CABIN 120V
- 1838711 HARNESS, 310DA-07 CABIN 220V  
(220 VOLT / 50 CYCLE ELECTRICAL SYSTEM)
- 1848220 HARNESS, 310DA-07 CEILING

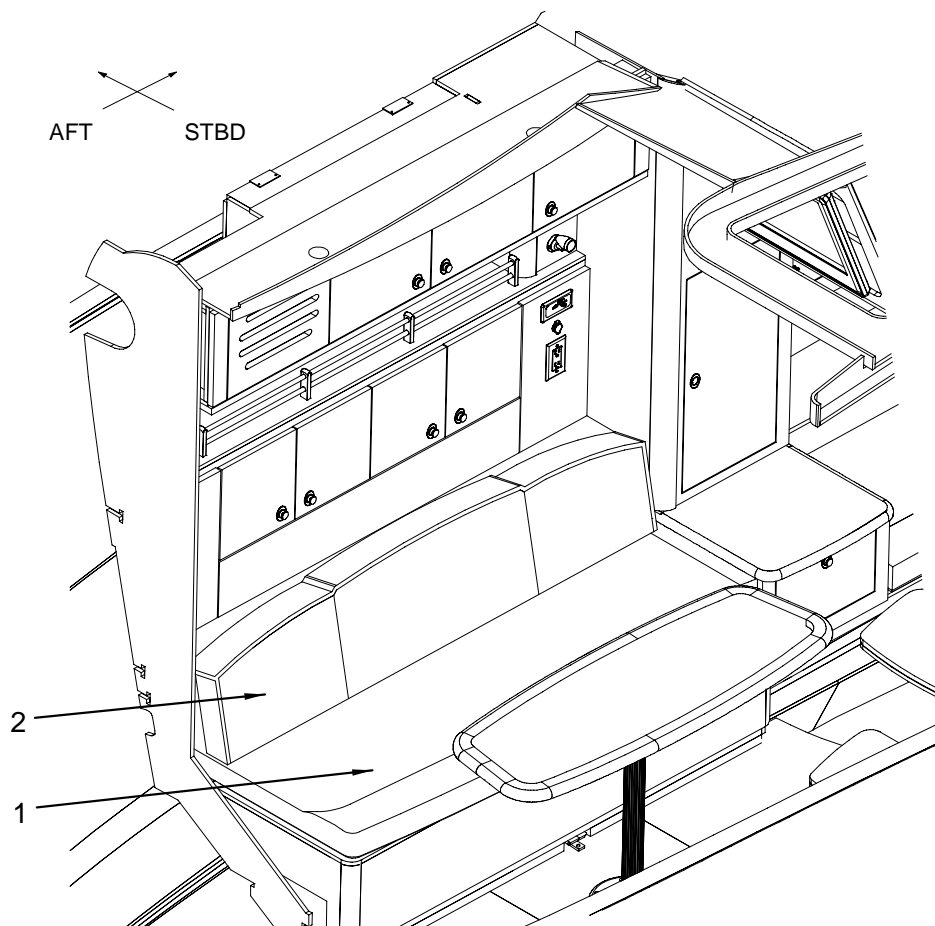
**LIGHTS**

- 1803185 LIGHT, INDIRECT LED WHT BUTTON W/COLLAR/CONN  
(LED NOT REPLACEABLE)

**NOT SHOWN**

- 952895 BRACKET, ALUM 2"X 1/8"X 3" 2@3/16"HOLES WIDE
- 1889878 MODULE, I-POD CLARION INTERFACE
- 1889882 CABLE, CLARION I-POD CE-NET "Y"

**SALON (UPHOLSTERY)**



**SALON (UPHOLSTERY)**

- 1 1909144 310DA 08,CUSH,SLN SOFA
- 1909145 310DA 08,CUSH SKN,SLN SOFA
- 609883 CLEAT, PLAS 3/4"X 1"X 4" GREY
- 2 1909276 310DA 08,B/R,SLN SOFA
- 1909279 310DA 08,B/R SKN,SLN SOFA

**CUSHION MATERIAL**

- 1004050 VINYL, ULTRALTHR BUFF #3609  
(INTERIOR 1A & 1B)
- 845594 VINYL, ULTRALTHR DOE 3601  
(INTERIOR 3A & 3B)

**FOAM**

- 1847984 FOAM, P/C 310DA-07 SALON CUSH SET

**HEADLINER/HULL LINER/WASHABLE SURFACE**

- 1883772 VINYL, RVIEW ALABASTER N/W FLAT

**INTERIOR CARPET**

- 1883614 CARPET, INT 44 OZ PRAIRIE TAN 6'W  
(INTERIOR 1A & 1B)
- 1883672 CARPET, INT 44 OZ ASH 6'W  
(INTERIOR 3A & 3B)

**SPEAKER COVER MATERIAL**

- 1892967 FABRIC, SPKR CLOTH CREPE ALABASTR 3001 1/8"FB

**STORAGE & BUNK TOPS**

- 1883894 FABRIC, GEOMETRIC CRM (NDLPNCH) W/BACK

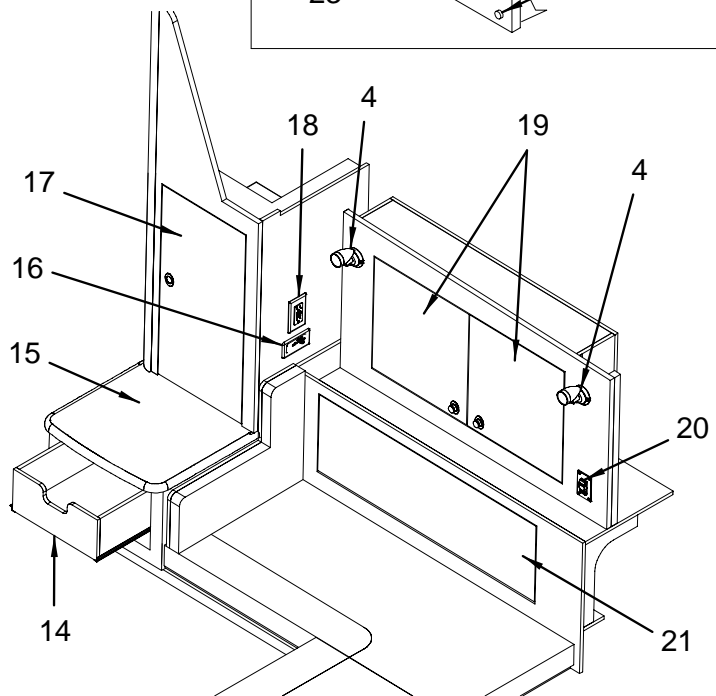
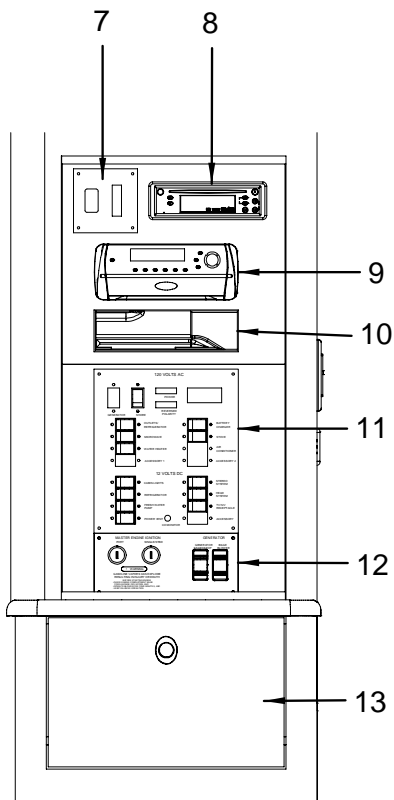
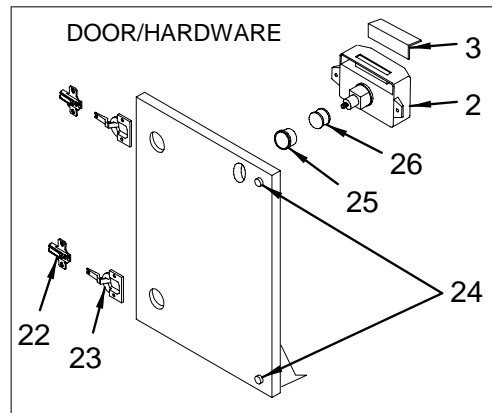
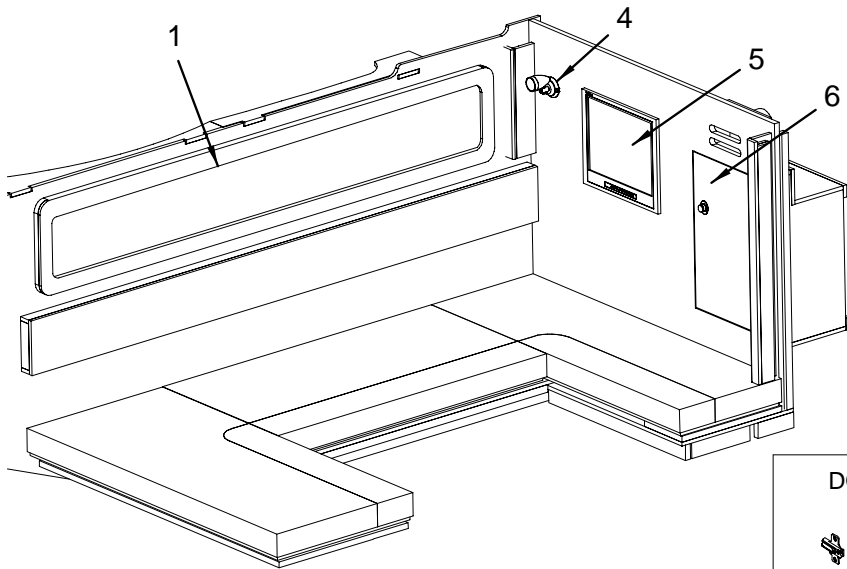
**UPHOLSTERY**

- 103309 MESH, WHITE 60"
- 156893 WEBBING, POLYPROPYLENE 1" BLACK
- 180182 ZIPPER, #5 DELRIN CONTINUOUS WHT
- 180406 SLIDE, DELRIN #5 WHT 1-S LOCK
- 602169 TAB, PULL TAB MATERIAL 1.5"X 250YDS
- 634931 FABRIC, PULL STRIP 6"X 250YD

**VINYL - ACCENT**

- 1874814 VINYL, ALLANTE II ALABASTER EXP FLAT  
(CABINETRY TRIM)

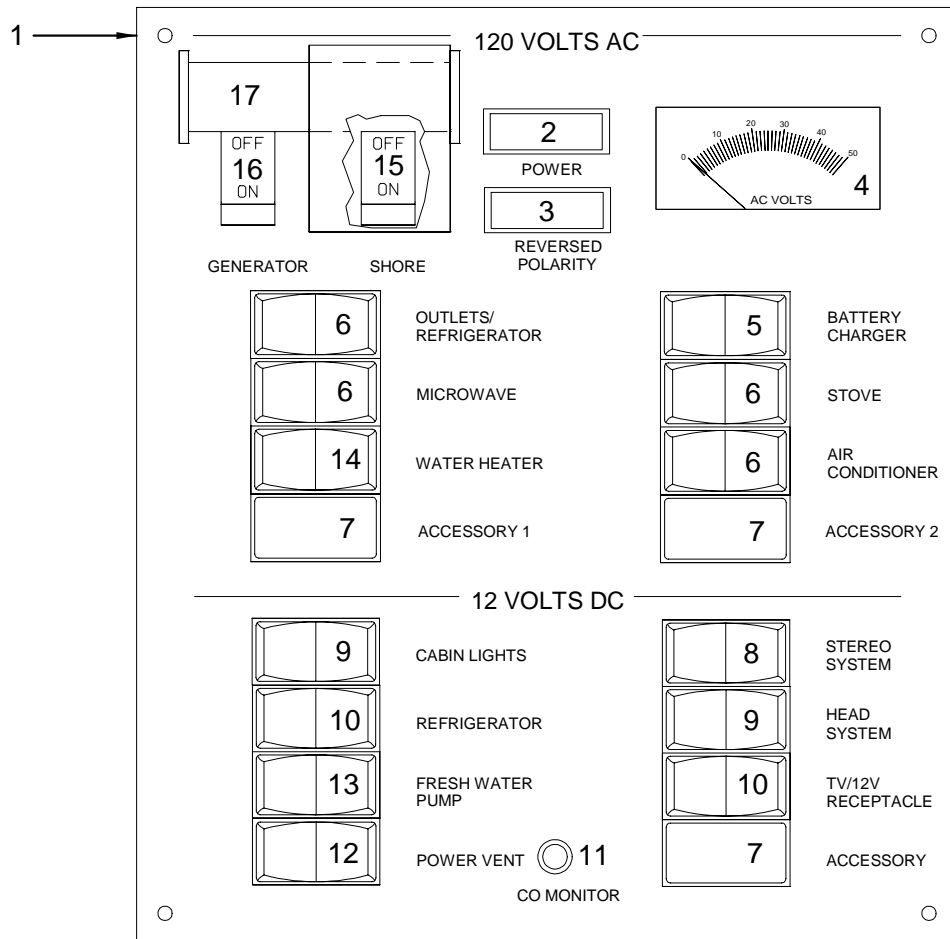
MID STATEROOM



## MID STATEROOM

1	1740327	MIRROR, 1/8"X 11.75"N/P X 69.5"POL1EDGE	14	1909159	310DA 08,DRWR,SLN LWR STRG
2	772418	CATCH, RIM-LOCK WHT		1727149	DRAWER SLIDE, ROLLER METAL 16" ALFIT 1702
3	761445	CATCH, RIM-LOCK STRIKE PLATE	15	1884215	TABLE TOP, 310DA-07 SLN LWR DRWR CAB BLK MDF
4	1803184	SPOTLIGHT, SWVL TASK BRSHD SS W/SW W/CONN	16	1803007	VIDEO EQUIPMENT, REMOTE GAMING SYS INPUT PNL (TV 15" FLATSCRN/ DVD/ GAMING PORT-MID CABIN)
	1820310	BULB, REPL FOR #1803184/1831205 (REPLACEMENT BULB FOR 1803184)		1759176	EXTENSION, CABLE A/V 6' RCA W/MALE CONN (TV 15" FLATSCRN/ DVD/ GAMING PORT-MID CABIN)
5	1852692	TELEVISION, 15"LG LCD HDTV BLK W/BTM SPKR (TV 15" FLATSCRN/ DVD/ GAMING PORT-MID CABIN)		1761064	FILTER, VIDEO INTERFERENCE (TV 15" FLATSCRN/ DVD/ GAMING PORT-MID CABIN)
	1872710	REMOTE, TV 15"LG LCD HDTV BLK W/BTM SPKR (REMOTE FOR 1852692)		1762641	FILTER, POWER INTERFACE 20AMP (TV 15" FLATSCRN/ DVD/ GAMING PORT-MID CABIN)
	1872088	TELEVISION, 15" LG LCD 220V 15C1RB (TV 15" FLATSCRN/ DVD/ GAMING PORT-MID CABIN WITH PAL T.V. TUNER)		1785521	SPLITTER, 3-WAY HYBRID (TV 15" FLATSCRN/ DVD/ GAMING PORT-MID CABIN)
	1888310	REMOTE, TV 15" LG LCD 220V 15C1RB (REMOTE FOR 1872088)		703306	SPLITTER, 4-WAY (TV 15" FLATSCRN/ DVD/ GAMING PORT-MID CABIN)
	1758298	ISOLATOR, 2-CHANNEL GROUND LOOP (RCA) (TV 15" FLATSCRN/ DVD/ GAMING PORT-MID CABIN)		1885292	ROD, THREAD 4MM X 30MM SS (TV 15" FLATSCRN/ DVD/ GAMING PORT-MID CABIN)
	1849609	HARNESS, 310DA-07 TV/DVD KIT (TV 15" FLATSCRN/ DVD/ GAMING PORT-MID CABIN)		1850019	SCREW, MACHINE M4 X 20MM PPH SS (TV 15" FLATSCRN/ DVD/ GAMING PORT-MID CABIN)
	1838715	HARNESS, 310DA-07 TV/DVD 25" (TV 15" FLATSCRN/ DVD/ GAMING PORT-MID CABIN)	17	1909269	310DA 08,DOOR,SLN MDP CAB
	1755388	BRACKET, TV (LCD) WALL MOUNT OMNI (TV 15" FLATSCRN/ DVD/ GAMING PORT-MID CABIN)	18	1881817	RECEPTACLE, GFCCI DPLX BLK W/IND/SMRTLCK 15A
	1850017	SCREW, MACHINE M4 X 35MM PPH SS (TV 15" FLATSCRN/ DVD/ GAMING PORT-MID CABIN)		627737	BOX, RECEPTACLE/SWITCH PVC 1-GANG DEEP
	1750878	CABLE, RCA AUDIO 20' W/EFX-2 CONN W/NOISE SUP	19	1909142	310DA 08,DOOR,MID STRM STB STRG FWD
	1772076	EXTENSION, CABLE 20'/15' FM RECEIVER W/CONN	20	1849389	PANEL, 310DA-07 CABIN LT SW SNGL 2-WAY BLK
	799049	EXTENSION, CABLE 12' AM/FM		1541655	ACTUATOR, ROCK SWITCH-LIGHTS BLK (PART OF 1849389)
	1787506	RECEPTACLE, DUPLEX BLACK 15A (TV 15" FLATSCRN/ DVD/ GAMING PORT-MID CABIN)		1609312	BODY, ROCK SW SPDT BLK 12V INCAND NON-LIT (PART OF 1849389)
	1787521	COVER PLATE, SGL DUPLEX RECEPT BLK LVT (TV 15" FLATSCRN/ DVD/ GAMING PORT-MID CABIN)	21	1909143	310DA 08,DOOR,MID STRM STB STRG AFT
	1768472	PLUG, 220V BLK RECEPTACLE (220 VOLT WITH TV 15" FLATSCRN/ DVD/ GAMING PORT-MID CABIN)		390849	CATCH, GRABBER LATCH W/10LB HOLD BLK PLAS
	637058	CONN, COAX EURO TV ADAPTER "F" TYPE (220 VOLT WITH TV 15" FLATSCRN/ DVD/ GAMING PORT-MID CABIN)		195032	HINGE, AL CONT 1.25" X 72" BRITE
6	1909141	310DA 08,DOOR,MID STRM PRT STRG CAB		1854218	STEREO, AMP JL 450W6/5/4/3 CH POWER AMP WHT (PREMIUM COCKPIT SOUND SYSTEM - 12 VOLT)
	1817493	DVD, KEC 12V DVD3 DIN (TV 15" FLATSCRN/ DVD/ GAMING PORT-MID CABIN)		1750879	CABLE, RCA AUDIO "Y" (1-FM/ 2-M) W/NOISE SUPP (PREMIUM COCKPIT SOUND SYSTEM - 12 VOLT)
	1813842	MOUNTING KIT, SLEEVE FOR DVD2/3 (TV 15" FLATSCRN/ DVD/ GAMING PORT-MID CABIN)		1750880	CABLE, RCA AUDIO 6' W/EFX-2 CONN W/NOISE SUPP (PREMIUM COCKPIT SOUND SYSTEM - 12 VOLT)
	1819303	DVD, KEC 12V DVD3 ZONEFREE (TV 15" FLATSCRN/ DVD/ GAMING PORT-MID CABIN WITH ZONE FREE DVD)		1765977	SPEAKER, POLK/MOMO EXT CROSSOVER (PART OF 1784476)
	1848849	REMOTE, DVD KEC 12V DVD2M/3M ZONEFREE (REMOTE FOR 1817493 & 1819303)	22	525667	HINGE, CONCEALED FULL OVERLAY MT PLATE ONLY
7	1577717	PANEL, WATER LEVEL IND	23	839399	HINGE, SELF CLOSING BLUM SCREW-ON
	679332	BODY, ROCK SW SPST MOM (PART OF 1577717)	24	663708	BUMPER, CLEAR .020" THICK
	681486	ACTUATOR, ROCK BLK W/O LENS ACCY (PART OF 1577717)	25	1776837	PULL, ROSETTE SAT/NCKL RND 16MM (5/8")
	806901	INDICATOR, WATER LEVEL 12V (PART OF 1577717)		1123165	LATCH, 12MM BRASS SHAFT EXTENSION
8	1894055	STEREO, AM/FM CD/CHNGR/SIR/XM SAT CMD5 (HULL# 1207 -> UP)	26	1742136	PULL, PUSH-BUTTON KNOB SAT/NCKL
	1854318	STEREO, AM/FM CD/CHNGR/SIR/XM SAT CMD4A (HULL# 1201 -> 1206)			<b>ELECTRICAL</b>
	1803706	HARNESS, STEREO ADAPTOR CMD4 W/PACKARD CONN		1749388	GALVANIC ISOLATOR, PROSAFE 30AMP (ISOL ONLY)
	1750893	CABLE, RCA AUDIO 14' W/EFX-2 CONN N/SUP		1850253	VIDEO EQUIPMENT, AUXILIARY INPUT MP3 MA-AUX2
	956078	ADAPTER, STEREO FEMALE/FEMALE			<b>LABELS</b>
9	1847461	STEREO, SIRIUS SATELLITE RCVR SIRCL3M-6MO		1746899	LABEL, DANGER CARBON MONOXIDE (LEXAN) (GAS ENGINES ONLY)
	1887355	CABLE, SIRIUS SATELLITE RCVR CENET SIRCLM3 (PART OF 1847461)		1812911	LABEL, DANGER CO CABIN 06
10	1733835	STEREO, CD CHANGER 6-DISC DCZ625 C-NET		1747505	LABEL, INFO REPL PROD/BROCH/DLRLOC/ETC
	1848731	STEREO, CD 6-DISC CARTRIDGE CLARION F/DCZ625 (PART OF 1733835)		1745156	LABEL, NOTICE OVERBOARD DISCHARGE (LEXAN) (MACERATOR W/ SEACOCK INTERLOCK SYSTEM) (VACUUM FLUSH HEAD W/ DIRECT OVER BOARD INTL)
11	1846396	PANEL, 310DA-07 AC/DC MDP 120/60 N/GEN		1747493	LABEL, LEAVING WINDOW OPEN EXHAUST FUMES
	1846399	PANEL, 310DA-07 AC/DC MDP 220/50 N/GEN (220 VOLT / 50 CYCLE ELECTRICAL SYSTEM)			<b>LIGHTS</b>
	1846397	PANEL, 310DA-07 AC/DC MDP 120/60 W/GEN (GENERATOR 5.0 ECD KOHLER - GAS - 120V/60HZ)		1803185	LIGHT, INDIRECT LED WHT BUTTON W/COLLAR/CONN (LED NOT REPLACEABLE) (PORT CABINET)
	1846400	PANEL, 310DA-07 AC/DC MDP 220/50 W/GEN (GENERATOR 4.0 EFCO KOHLER - GAS - 220V/50HZ)			
	195479	HINGE, AL CONT FORM/DBL 2.5"X 72" SATIN			
12	1848226	PANEL, 310DA-07 IGN KEY SW GAS N/GEN W/DTS (T-5.0L DTS MPI BR 3 (T-260 PHP) MCM S/D)			
	1848222	PANEL, 310DA-07 IGN KEY SW GAS N/GEN			
	1889179	PANEL, BLANK:CRUSR IGN KEY SW GAS W/GEN/DTS			
	1889180	PANEL, CRUSR IGN KEY SW GAS W/GEN/DTS (GENERATOR 5.0 ECD KOHLER - GAS - 120V/60HZ)			
	1894690	PANEL, CRUSR IGN KEY SW DSL W/GEN (GENERATOR 3.5 EFOZ KOHLER -DIESEL - 220V/50)			
13	1909158	310DA 08,DOOR,SLN LWR STRG			

**MAIN DISTRIBUTION PANEL 120VAC**

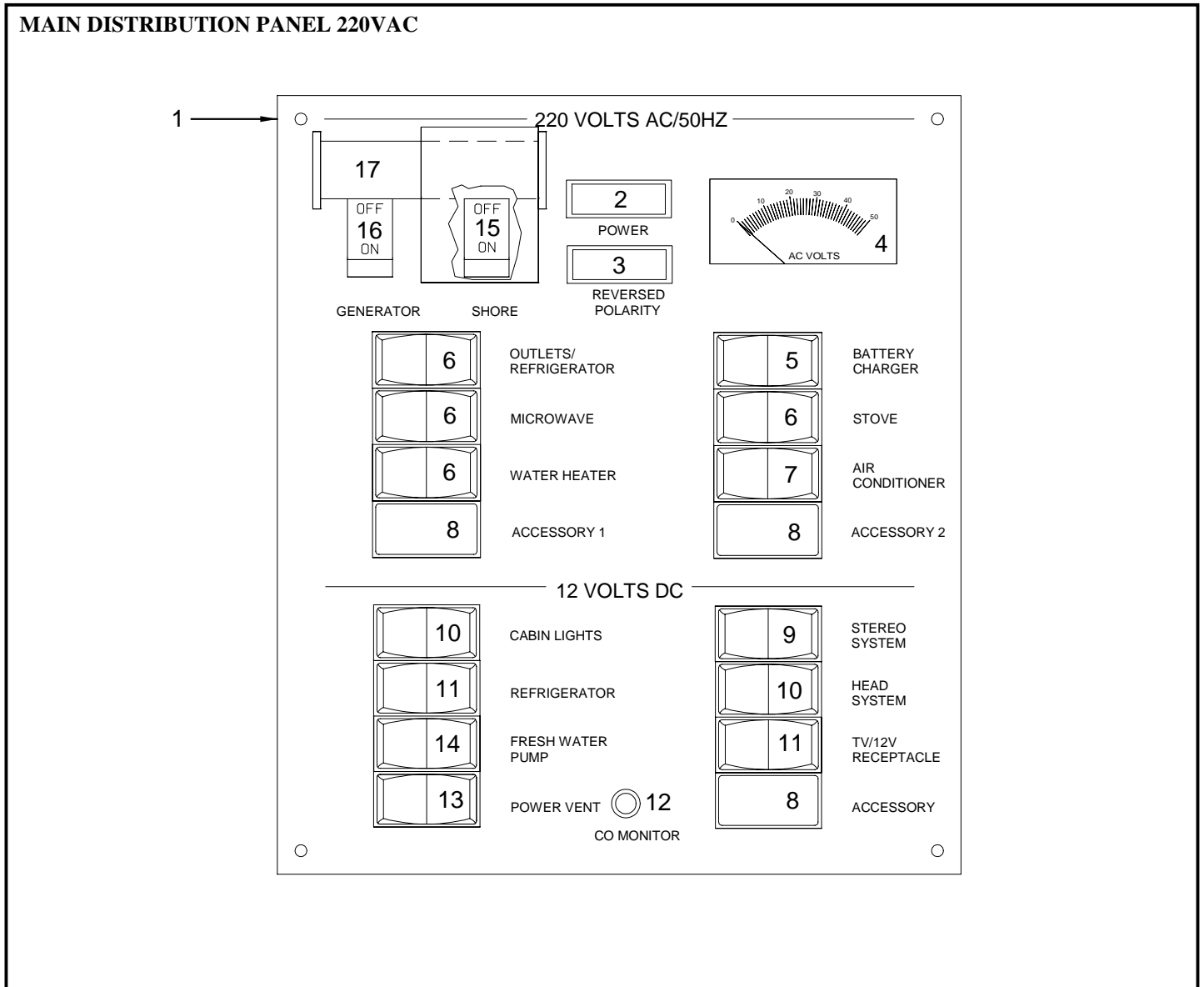


**MAIN DISTRIBUTION PANEL 120VAC**

**NOT SHOWN**

- 1 1846396 PANEL, 310DA-07 AC/DC MDP 120/60 N/GEN
- 1846397 PANEL, 310DA-07 AC/DC MDP 120/60 W/GEN
- 1846398 PANEL, BLANK:310DA-07 AC/DC MDP 120/60  
**(BLANK PANEL ONLY - FOR 1846396 & 1846397)**
- 2 572529 LIGHT, POLARITY GRN 125V
- 3 557611 LIGHT, POLARITY RED 125V
- 4 767608 GAUGE, VOLTMETER AC 0-150 ANALOG WINDOW MT SM
- 5 1776973 BRKR/ROCK, SGL-POLE AC/DC HORZ UP LUG 10A WHT
- 6 1795343 BRKR/ROCK, SGL-POLE AC/DC HORZ UP LUG 20A WHT
- 7 432872 PLUG, BRKR/ROCK
- 8 1799306 BRKR/ROCK, SGL-POLE AC/DC HORZ UP LUG 25A RED
- 9 1799305 BRKR/ROCK, SGL-POLE AC/DC HORZ UP LUG 20A RED
- 10 1799304 BRKR/ROCK, SGL-POLE AC/DC HORZ UP LUG 15A RED
- 11 1181700 BRKR, P/BTN-MANUAL RESET M-SERIES 1A W/SCREW
- 12 1878882 BRKR/ROCK, SGL-POL AC/DC HORZ UP LUG 7.5A RED
- 13 1799341 BRKR/ROCK, SGL-POLE AC/DC HORZ UP LUG 10A RED
- 14 1776975 BRKR/ROCK, SGL-POLE AC/DC HORZ UP LUG 15A WHT
- 15 648873 BRKR/ROCK, 2-POLE AC/DC VERT 30A WHT
- 16 595926 BRKR/ROCK, 2-POLE AC/DC VERT 50A WHT  
**(WITH GENERATOR ONLY)**
- 432872 PLUG, BRKR/ROCK  
**(WITHOUT GENERATOR)**
- 17 340679 SLIDE ASSY, SLIDE BAR MDP PANEL  
**(WITH GENERATOR ONLY)**

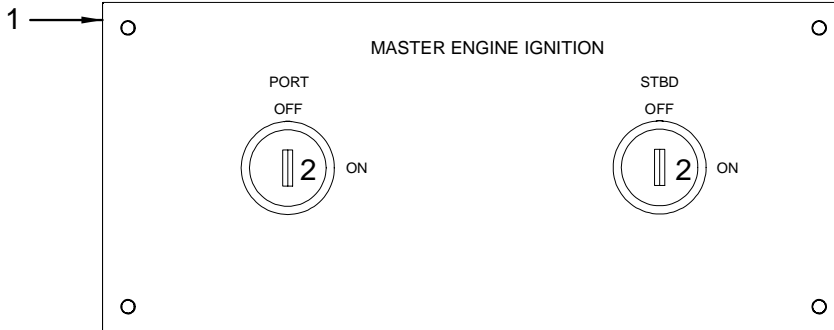
- 1776975 BRKR/ROCK, SGL-POLE AC/DC HORZ UP LUG 15A WHT  
**(GRILL, COCKPIT - BUILT IN - 120V/60)**  
**(GRILL, COCKPIT - BUILT IN - 220V/50)**  
**(AIR CONDITIONING / HEATING-12000BTU-220V/50AR)**



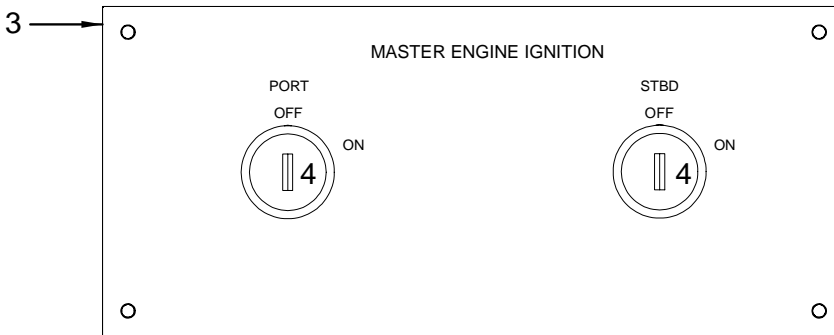
**MAIN DISTRIBUTION PANEL 220VAC**

- 1 1846399 PANEL, 310DA-07 AC/DC MDP 220/50 N/GEN
- 1846400 PANEL, 310DA-07 AC/DC MDP 220/50 W/GEN
- 1846402 PANEL, BLANK:310DA-07 AC/DC MDP 220/50  
**(BLANK PANEL ONLY - FOR 1846399 & 1846400)**
- 2 557603 LIGHT, POLARITY GRN 220V
- 3 557629 LIGHT, POLARITY RED 220V
- 4 796334 GAUGE, VOLTMETER AC 0-300 ANALOG WINDOW MOUNT
- 5 1776961 BRKR/ROCK, SGL-POLE AC/DC HORZ UPT LUG 5A WHT
- 6 1776973 BRKR/ROCK, SGL-POLE AC/DC HORZ UP LUG 10A WHT
- 7 1776975 BRKR/ROCK, SGL-POLE AC/DC HORZ UP LUG 15A WHT
- 8 432872 PLUG, BRKR/ROCK
- 9 1799306 BRKR/ROCK, SGL-POLE AC/DC HORZ UP LUG 25A RED
- 10 1799305 BRKR/ROCK, SGL-POLE AC/DC HORZ UP LUG 20A RED
- 11 1799304 BRKR/ROCK, SGL-POLE AC/DC HORZ UP LUG 15A RED
- 12 1181700 BRKR, P/BTN-MANUAL RESET M-SERIES 1A W/SCREW
- 13 1878882 BRKR/ROCK, SGL-POL AC/DC HORZ UP LUG 7.5A RED
- 14 1799341 BRKR/ROCK, SGL-POLE AC/DC HORZ UP LUG 10A RED
- 15 440354 BRKR/ROCK, 2-POLE AC/DC VERT 20A WHT
- 16 629337 BRKR/ROCK, 2-POLE AC/DC VERT 35A WHT  
**(WITH GENERATOR ONLY)**
- 432872 PLUG, BRKR/ROCK  
**(WITHOUT GENERATOR ONLY)**
- 17 340679 SLIDE ASSY, SLIDE BAR MDP PANEL  
**(WITH GENERATOR ONLY)**

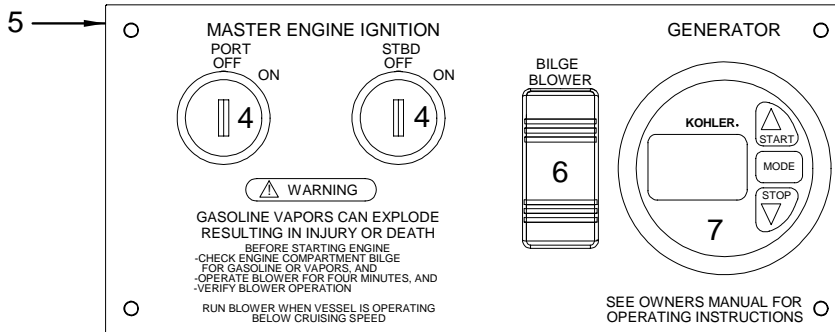
**IGNITION SWITCH PANEL (TWIN ENGINE GAS)**



DIESEL ENGINES



GAS ENGINES  
NO GENERATOR



GAS ENGINES  
WITH GENERATOR

**IGNITION SWITCH PANEL (TWIN ENGINE GAS)**

- 1 1848222 PANEL, 310DA-07 IGN KEY SW GAS N/GEN
- 1848221 PANEL, BLANK:310DA-07 IGN KEY SW GAS N/GEN  
**(BLANK PANEL ONLY - FOR 1848222)**
- 2 1544188 SWITCH, KEY ASHI DENSO
- 3 1848226 PANEL, 310DA-07 IGN KEY SW GAS N/GEN W/DTS
- 1848223 PANEL, BLANK:310DA IGN KEY SW GAS N/GEN W/DTS  
**(BLANK PANEL ONLY - FOR 1848226)**
- 4 1883476 SWITCH, DTS IGN ASSY DUAL 3-POS W/MATCHED KEY
- 5 1889180 PANEL, CRUSR IGN KEY SW GAS W/GEN/DTS  
**(HULL# 1207 -> UP)**
- 1889179 PANEL, BLANK:CRUSR IGN KEY SW GAS W/GEN/DTS  
**(BLANK PANEL FOR 1889180)**
- 1848232 PANEL, 310DA-07 IGN KEY SW GAS W/GEN/DTS  
**(HULL# 1201 -> 1206)**
- 1848231 PANEL, BLANK:310DA IGN KEY SW GAS W/GEN/DTS  
**(BLANK PANEL ONLY - FOR 1848232)**
- 1848230 PANEL, 310DA-07 IGN KEY SW GAS W/GEN  
**(HULL# 1201 -> 1206)**
- 1848228 PANEL, BLANK:310DA-07 IGN KEY SW GAS W/GEN  
**(BLANK PANEL ONLY - FOR 1848230)**
- 6 1804271 BODY, ROCK SW XI SPST MOM INDP GRN LNZ 12V  
**(ACTUATOR INCLUDED WITH BASE)**
- 7 1881424 GAUGE, KOHLER GEN REMOTE CNTRL

**HARNESSES**

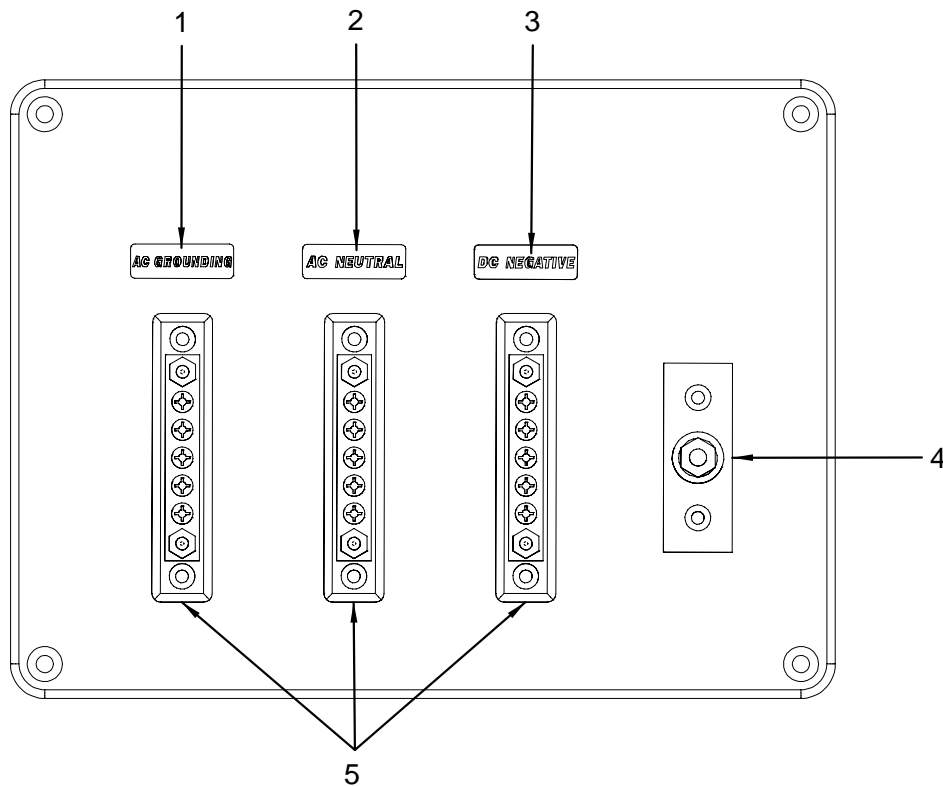
- 1891375 HARNESS, MERC DUAL V V IGN POWER

**NOT SHOWN**

- 1894690 PANEL, CRUSR IGN KEY SW DSL W/GEN  
**(HULL# 1207 -> UP)**



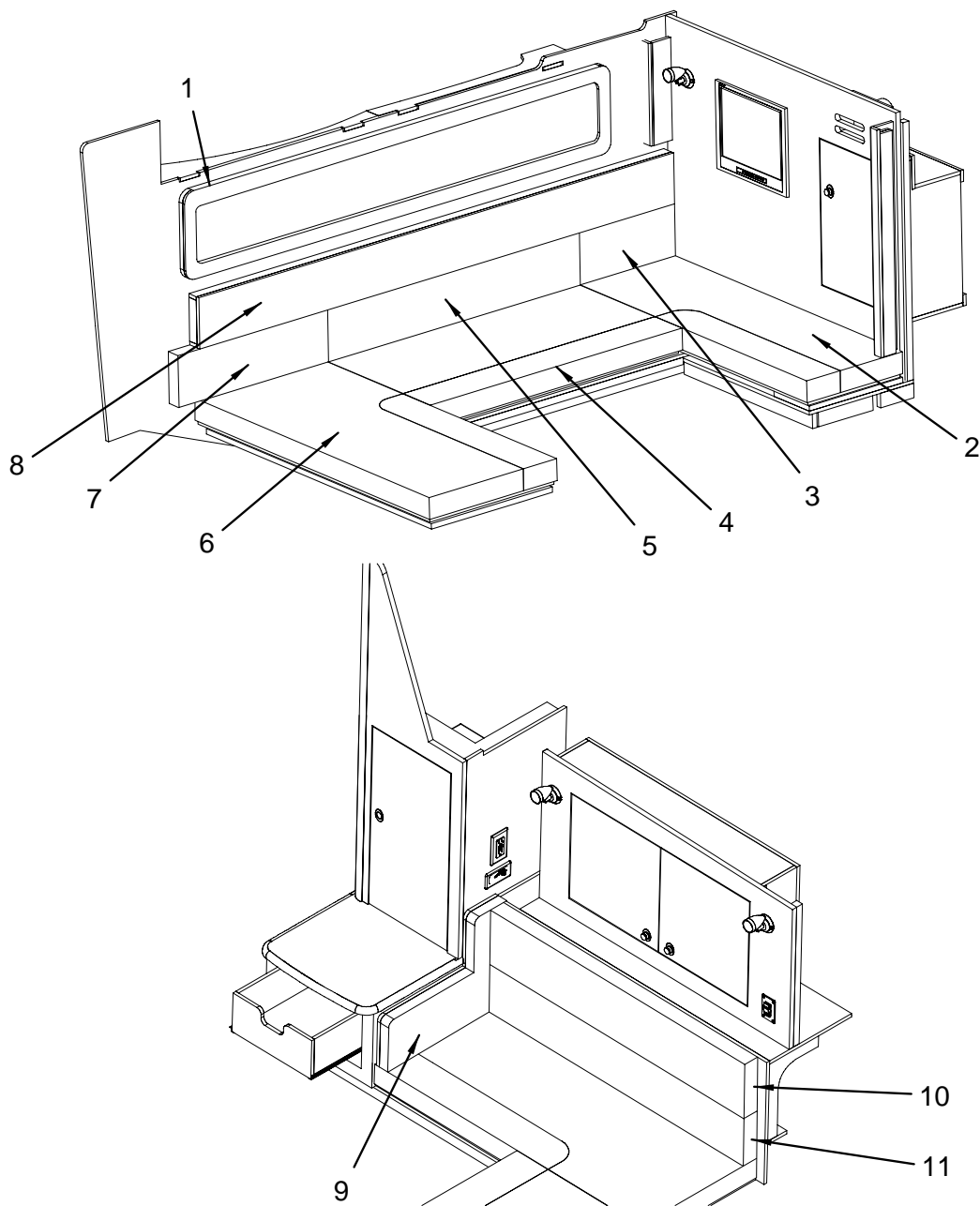
**MDP COMPONENT BOARD**



**MDP COMPONENT BOARD**

- 1 1790408 LABEL, AC GROUNDING (LEXAN)
- 2 1790407 LABEL, AC NEUTRAL (LEXAN)
- 3 1790406 LABEL, DC NEGATIVE (LEXAN)
- 4 795583 BUSS BAR, SGL POST 5/16"
- 5 1324334 BUSS BAR, MINIBUS BAR DC

MID STATEROOM (UPHOLSTERY)



**MID STATEROOM (UPHOLSTERY)**

1	1909316	310DA 08,MIR ASSY,MIDSTRM RV1
2	1909146	310DA 08,CUSH,MID STRM PRT
	1909147	310DA 08,CUSH SKN,MID STRM PRT
3	1909305	310DA 08,CUSH,PRT AFT FILR MIDSTRM
	1909306	310DA 08,CUSH SKN,PRT AFT FILR MIDSTRM
4	1909148	310DA 08,CUSH,MID STRM CTR
	1909149	310DA 08,CUSH SKN,MID STRM CTR
5	1909307	310DA 08,CUSH,CTR AFT FILR MIDSTRM
	1909308	310DA 08,CUSH SKN,CTR AFT FILR MIDSTRM
6	1909150	310DA 08,CUSH,MID STRM STB
	1909151	310DA 08,CUSH SKN,MID STRM STB
7	1909309	310DA 08,CUSH,STB AFT FILR MIDSTRM
	1909310	310DA 08,CUSH SKN,STB AFT FILR MIDSTRM
8	1909152	310DA 08,BLSTR,AFT MIDSTRM
	1909153	310DA 08,BLSTR SKN,AFT MIDSTRM
9	1909270	310DA 08,ARMREST,MID STRM
	1909315	310DA 08,ARMRST SKN,MIDSTRM
10	1909313	310DA 08,BLSTR,STB MIDSTRM
	1909314	310DA 08,BLSTR SKN,STB MIDSTRM
11	1909311	310DA 08,CUSH,STB FILR MIDSTRM
	1909312	310DA 08,CUSH SKN,STB FILR MIDSTRM

**BOLSTER MATERIAL**

1004050	VINYL, ULTRALTHR BUFF #3609 (INTERIOR 1A & 1B)
845594	VINYL, ULTRALTHR DOE 3601 (INTERIOR 3A & 3B)

**CUSHION MATERIAL**

1004050	VINYL, ULTRALTHR BUFF #3609 (INTERIOR 1A & 1B)
845594	VINYL, ULTRALTHR DOE 3601 (INTERIOR 3A & 3B)

**HEADLINER/HULL LINER/WASHABLE SURFACE**

1883772	VINYL, RVIEW ALABASTER N/W FLAT
---------	---------------------------------

**INTERIOR CARPET**

1883614	CARPET, INT 44 OZ PRAIRIE TAN 6'W (INTERIOR 1A & 1B)
1883672	CARPET, INT 44 OZ ASH 6'W (INTERIOR 3A & 3B)

**PRIVACY CURTAIN**

1888938	CURTAIN, 310DA-08 LUSTRE/IVORY AFT PRIV
132183	TRACK, ALUM CURT TRK 0.275"X 0.688" TAB TYPE

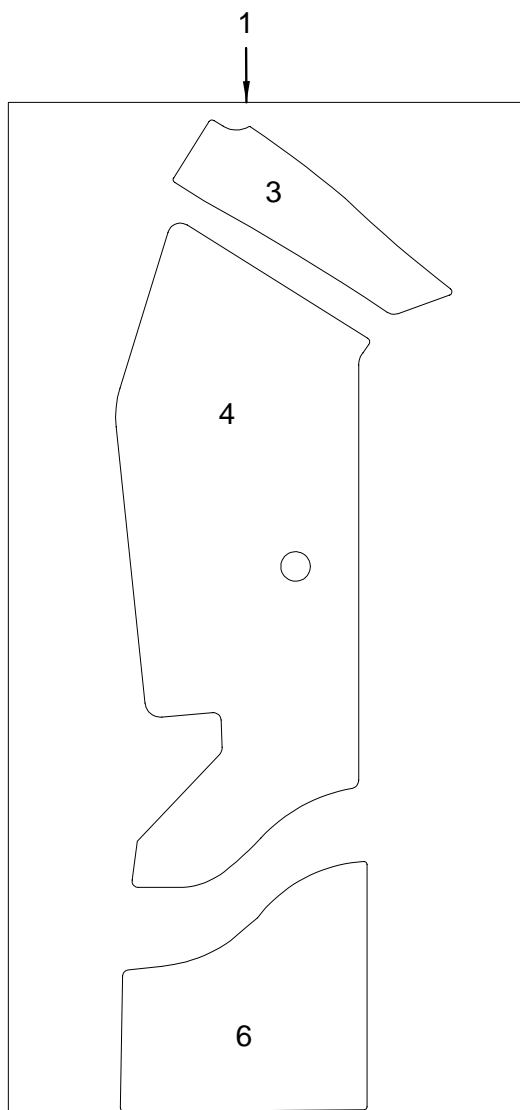
**STORAGE & BUNK TOPS**

1883894	FABRIC, GEOMETRIC CRM (NDLPNCH) W/BACK
---------	--

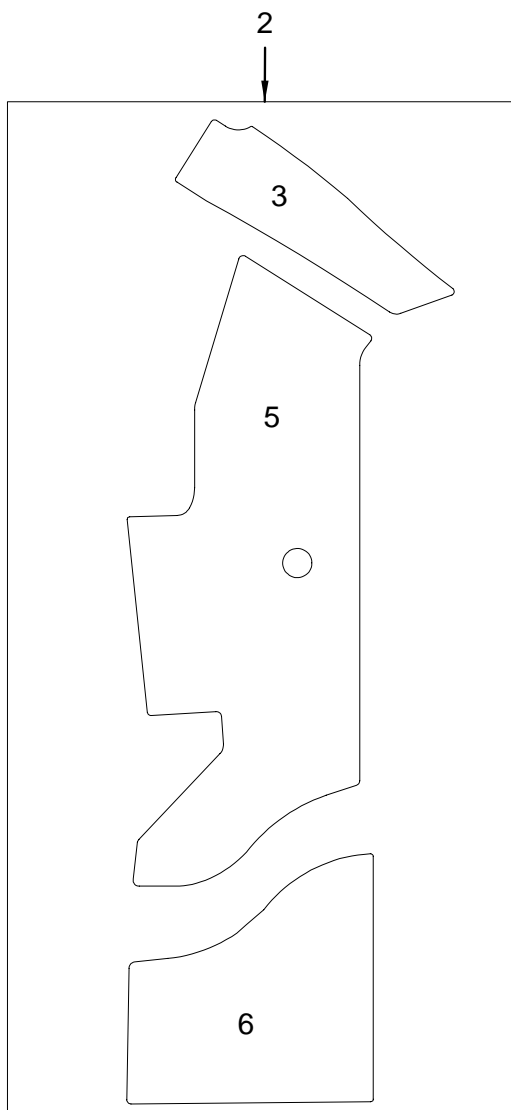
**UPHOLSTERY**

103309	MESH, WHITE 60"
156901	WELT, WELT CORD SYNTHETIC 5/32" X 1000'
180182	ZIPPER, #5 DELRIN CONTINUOUS WHT
180406	SLIDE, DELRIN #5 WHT 1-S LOCK
1847981	FOAM, P/C 310DA-07 MID STRM CUSH SET
602169	TAB, PULL TAB MATERIAL 1.5"X 250YDS
634931	FABRIC, PULL STRIP 6"X 250YD

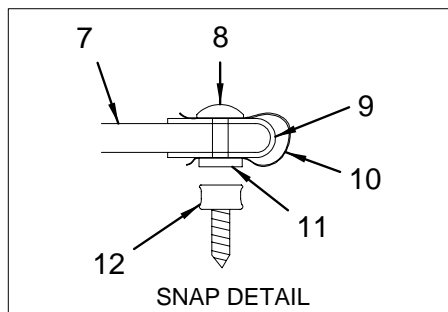
INTERIOR (CANVAS CARPET RUNNER)



CARPET RUNNER WITHOUT TEAK FLOOR



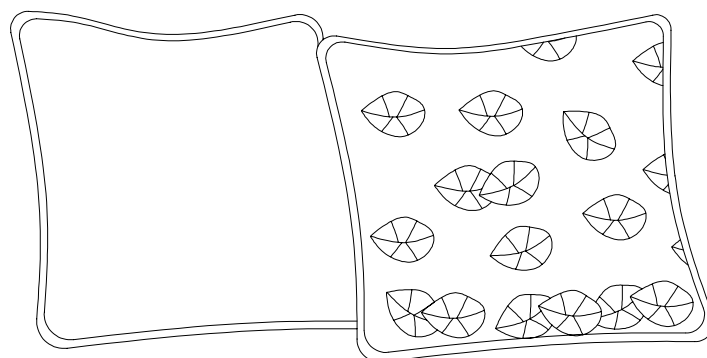
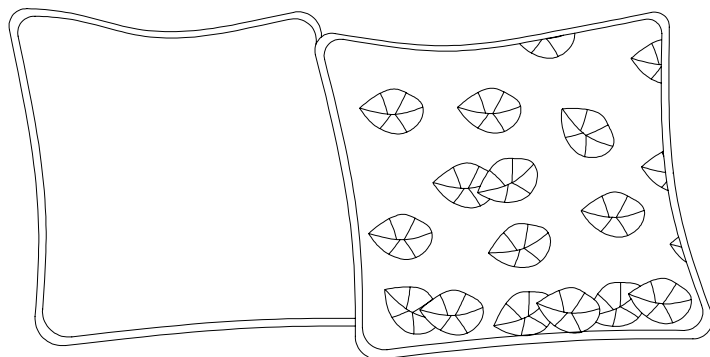
CARPET RUNNER WITH TEAK FLOOR



**INTERIOR (CANVAS CARPET RUNNER)**

- 1 1909323 310DA 08,CARPET RNR,CMPLT
- 2 1909328 310DA 08,CARPET RNR,CMPLT W/TEAK FLR  
**(FLOORING, SIMULATED TEAK - CABIN)**
- 3 1909327 310DA 08,CARPET RNR,FWDSTRM
- 4 1909324 310DA 08,CARPET RNR,SLN
- 5 1909326 310DA 08,CARPET RNR,SLN W/TEAK FLR  
**(FLOORING, SIMULATED TEAK - CABIN)**
- 6 1909325 310DA 08,CARPET RNR,MIDSTRM
- 7 1898309 CANVAS, SUNBRELLA BEIGE 60" #6020  
**(INTERIOR 1A & 1B)**
- 1117365 CANVAS, SUNBRELLA CADET GRY 60" #6030  
**(INTERIOR 3A & 3B)**
- 8 1895033 SNAP BUTTON, W/ 1/8" SS BARREL
- 9 1899026 BINDING, CANVAS 1" BEIGE SNBRLA STRAIGHT  
**(INTERIOR 1A & 1B)**
- 1899030 BINDING, CANVAS 1" CDT GRY SNBRLA STRAIGHT  
**(INTERIOR 3A & 3B)**
- 10 1790664 SNAP REINFORCEMENT, PLAS BACKER 500 PC/ROLL
- 11 1163864 SNAP SOCKET, W/ 1/8" HOLE
- 12 154369 SNAP STUD, W/#8 X 3/8" PH SS

PILLOW PACKAGES



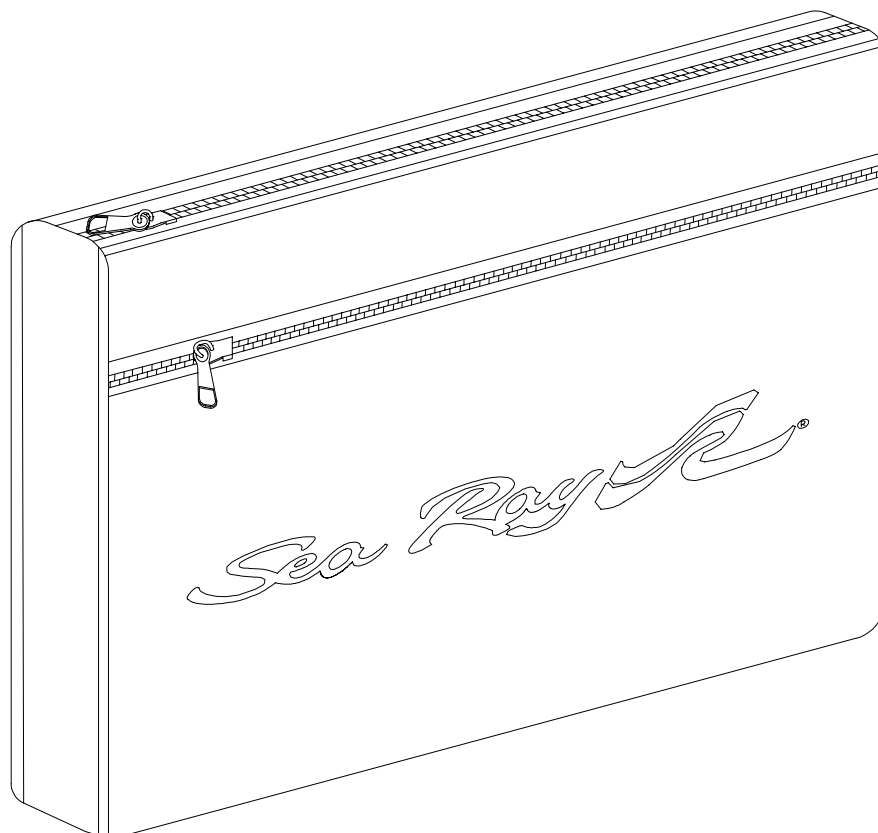
## PILLOW PACKAGES

### PILLOW PACKAGE MATERIALS

1883622	FABRIC, ALTAIR/SAHARA FLAT (HULL# 1285 -> UP) (1A INTERIOR. AUTUMN / PRAIRIE TAN - AURORA)
1883623	FABRIC, SANTIAGO/GODIVA FLAT (HULL# 1285 -> UP) (1A INTERIOR. AUTUMN / PRAIRIE TAN - AURORA)
1883626	FABRIC, ALTAIR/POMEGRANATE FLAT (HULL# 1285 -> UP) (1B INTERIOR. HARVEST / PRAIRIE TAN - AURORA)
1883627	FABRIC, QUOTIENT/MOSS FLAT (HULL# 1285 -> UP) (1B INTERIOR. HARVEST / PRAIRIE TAN - AURORA)
1883784	FABRIC, RENDEZVOUS/WIND FLAT (HULL# 1285 -> UP) (3A INTERIOR. GLACIER / ASH - AURORA)
1883669	FABRIC, VEGAS 531 BLUE FLAT (HULL# 1285 -> UP) (3A INTERIOR. GLACIER / ASH - AURORA)
1883635	FABRIC, SHORELINE FLAT (HULL# 1285 -> UP) (3B INTERIOR. ARCTIC / ASH - AURORA)
1883636	FABRIC, GLAMOUR/STEEL FLAT (HULL# 1285 -> UP) (3B INTERIOR. ARCTIC / ASH - AURORA)
603969	PILLOW, 16" X 16" POLYFIBER
1903169	WELT, COTTON 1/4" WHT

### PILLOW PACKAGE SET

1920033	CRUISER 08,PILLOW PKG,VBRTM/MIDCAB(4) INT 1A (HULL# 1285 -> UP - BUILT INHOUSE)
1920034	CRUISER 08,PILLOW PKG,VBRTM/MIDCAB(4) INT 1B (HULL# 1285 -> UP - BUILT INHOUSE)
1920035	CRUISER 08,PILLOW PKG,VBRTM/MIDCAB(4) INT 3A (HULL# 1285 -> UP - BUILT INHOUSE)
1920036	CRUISER 08,PILLOW PKG,VBRTM/MIDCAB(4) INT 3B (HULL# 1285 -> UP - BUILT INHOUSE)
1887837	PILLOW PKG, 2008 SC1A VBRTM/MIDCAB (4) (HULL# 1201 -> 1284 - VENDOR BOUGHT)
1887838	PILLOW PKG, 2008 SC1B VBRTM/MIDCAB (4) (HULL# 1201 -> 1284 - VENDOR BOUGHT)
1887839	PILLOW PKG, 2008 SC3A VBRTM/MIDCAB (4) (HULL# 1201 -> 1284 - VENDOR BOUGHT)
1887840	PILLOW PKG, 2008 SC3B VBRTM/MIDCAB (4) (HULL# 1201 -> 1284 - VENDOR BOUGHT)

**MULTI-INFO PACKET****MULTI-INFO PACKET****MULTI-INFO PACKET**

1902292 PACKET, MULTI-INFO SPORT CRUISER C-08

**OWNERS PACKET CONTENTS**

1902273 MANUAL, OWNERS - SPORT CRUISER-08  
 1896824 CARD, WARRANTY - SC/SY/Y '08  
 1902274 MANUAL, SYSTEMS - SPORT CRUISER-08  
 1902275 DVD, OWNERS - SPORT CRUISER-08  
 1902285 DVD, SAFETY - SEA RAY-08  
 902726 PACKET, OWNERS BRIEFCASE CANVAS BLK (TYPHOON)  
 1411404 ENVELOPE, DEALER INFORMATION  
 (INCLUDED IN A SEPARATE ZIP BAG)  
 1836824 CHECK LIST, IN SERVICE-SPBOATS/SPCRUISERS 06  
 (INCLUDED IN A SEPARATE ZIP BAG)  
 798595 HARNESS, ACCY HATCH LIFT PIGTAIL  
 (INCLUDED IN A SEPARATE ZIP BAG)

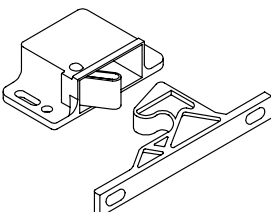
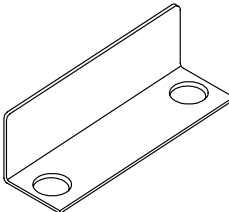
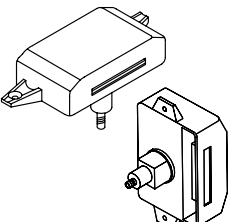
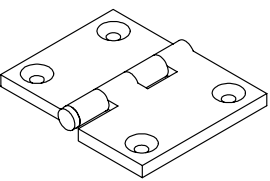
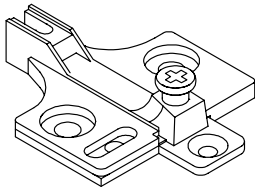
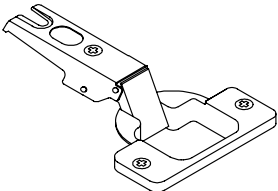
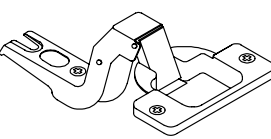
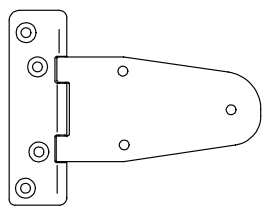
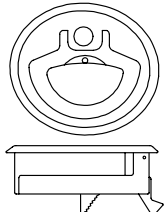
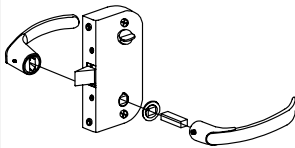
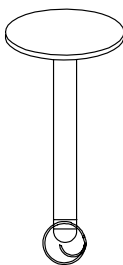
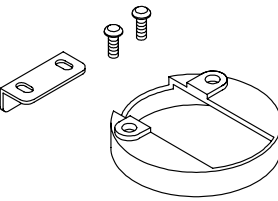
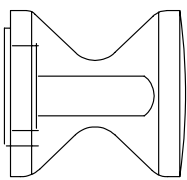
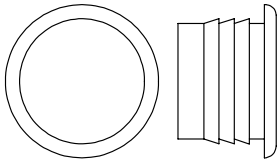
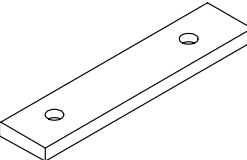
**OWNERS PACKET SUPPLIED BY PLANT**

800565 BOOKLET, BOATER'S GUIDE TO AC ELECTRICAL SYST  
 1683713 CARD, QUICK REFERENCE SHRPWR SPCRUIS/02  
 1691479 MANUAL, OWNERS - SEA RAY INT'L 12-LANGUAGE  
 (C E OPTION GROUP)  
 1766115 PACKET, SIRIUS WELCOME KIT  
 1880468 CHECK LIST, INT'L DISCLOSURE SPBT/SPCRUSR '06  
 (INTERNATIONAL IN-SERVICE CHECKLIST)



KNOXVILLE HARDWARE

# KNOXVILLE PLANT HARDWARE

<p>BLACK 10LB</p>  <p>1 → 390849</p>	 <p>2 → 761445</p>	<p>WHITE</p>  <p>3 → 772418</p>	 <p>4 → 132324</p>
 <p>5 → 525667</p>	 <p>6 → 814350</p>	 <p>7 → 839399</p>	 <p>8 → 1683753</p>
<p>STAINLESS STEEL</p>  <p>9 → 1781434</p>	<p>LH OUT SATIN/NICKLE</p>  <p>10 → 1776672</p>	 <p>11 → 140111</p>	 <p>12 → 1781435</p>
<p>SAT/NCKL</p>  <p>13 → 1742136</p>	<p>SAT/NCKL 16MM</p>  <p>14 → 1776837</p>	 <p>15 → 826453</p>	

**KNOXVILLE HARDWARE**

1	390849	CATCH, GRABBER LATCH W/10LB HOLD BLK PLAS
2	761445	CATCH, RIM-LOCK STRIKE PLATE
3	772418	CATCH, RIM-LOCK WHT
4	132324	HINGE, BUTT CHROME/ZINC 2"
5	525667	HINGE, CONCEALED FULL OVERLAY MT PLATE ONLY
6	814350	HINGE, CONCEALED FULL OVERLAY 100DEG W/DOWEL
7	839399	HINGE, SELF CLOSING BLUM SCREW-ON
8	1683753	HINGE, SS 320DA-02 CKPT HATCH
9	1781434	LATCH, FLUSH MNT N/LOCKING SLAM SS
10	1776672	LATCH, OFFSHR FLSH LH-OUT PRVKNB SAT/NCK 5/8"
11	140111	LIFT HANDLE, HATCH LIFT BOLT W/RING 3"
12	1781435	PLATE, CUP BRKT 2"LONG SCREW W/HDWR PKG
13	1742136	PULL, PUSH-BUTTON KNOB SAT/NCKL
14	1776837	PULL, ROSETTE SAT/NCKL RND 16MM (5/8")
15	826453	SHIM, DOOR STRIKER



**A/C SYSTEM**

1	1778933	THRU-HULL, SS 5/8" BARB SHORT
2	263954	CLAMP, HOSE #10 1/2"-1 1/8" SS .505
3	1058957	HOSE, WATER A/C WHT 5/8"
4	266528	HOSE, AC/DUCT INSULATED 5"
5	1848375	A/C COMP, PLENUM BLWR W/5" T/5" F PL10-12
6	1613934	A/C COMP, 360DA-02 PLENUM DISCHARGE FWD/AFT
7	123810	HOSE, GEN PURPOSE 3/4"
8	256685	CLAMP, HOSE #16 3/4"-1.5" SS .505
9	531426	ADAPTER, BRZ 3/4" MPT X 3/4" BARB
10	518431	SEACOCK, BRZ 3/4" W/O TAILPIECE
11	531574	PICK-UP, BRZ WATER INTAKE 3/4"
12	1791584	STRAINER, BRZ WATER INTAKE 3/4" W/NYLON STRAP
	1404854	PLUG, PLASTIC STRAINER DRAIN (PART OF 1791584)
	1851357	BRACKET, STRAINER MNT UPR (PART OF 1791584)
	1851358	BRACKET, STRAINER MNT LWR (PART OF 1791584)
13	948273	A/C COMP, HOSE FITTINGS FOR PMP500
14	1848395	A/C COMP, PLENUM GRILL BOX 30 8X6X3
15	948265	A/C COMP, PUMP 500GPH 115V 50/60HZ WTR COOL (AIR CONDITIONING / HEATING-12000BTU-120V/60)
	948349	A/C COMP, PUMP 500GPH 240V 50HZ WTR COOL (AIR CONDITIONING / HEATING-12000BTU-220V/50)
16	1792643	SHOWER, SUMP ASSY MULTI-PORT 750GPH 12V W/CON
17	124487	THRU-HULL, PLAS 5/8" WHT
18	1759843	A/C COMP, COMPACT 12K SMXII 115V 60HZ R22 (AIR CONDITIONING / HEATING-12000BTU-120V/60)
	1769425	A/C COMP, COMPACT 12K SMXII 220V 50HZ GG (AIR CONDITIONING / HEATING-12000BTU-220V/50)
19	1848392	A/C COMP, PLENUM BOX 5I OBLNG 4T 4T/5X9.5X6
20	639856	HOSE, AC/DUCT INSULATED 4" X 10'
21	1848393	A/C COMP, PLENUM GRILL BOX 4L OBLNG 10X6
22	1741490	A/C COMP, PLENUM BOX W/4I-3T-3R W/BRKTS
23	720169	HOSE, AC/DUCT 3"
24	1322940	A/C COMP, GRILL 3" BLK W/DBL LVR
25	1805241	A/C COMP, CONTROLLER SMXHT DISPLAY DX-GREY
	1604263	A/C COMP, CABLE INTERCONNECT 15'

**ELECTRICAL**

1818834	COVER PLATE, IDEA-SERIES 3-GANG BRSH NCK SQR
---------	--

**LABEL**

1751884	LABEL, 1/2" X 1.5" A/C CONDENSATE
---------	-----------------------------------

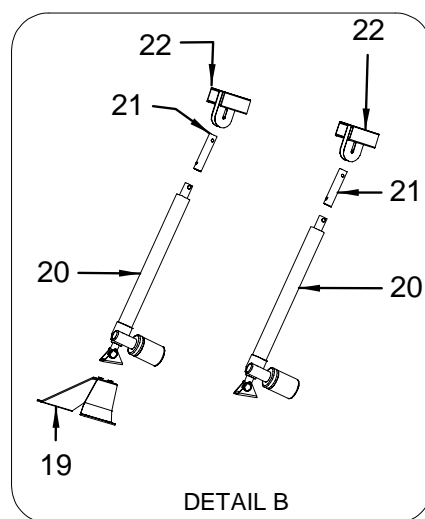
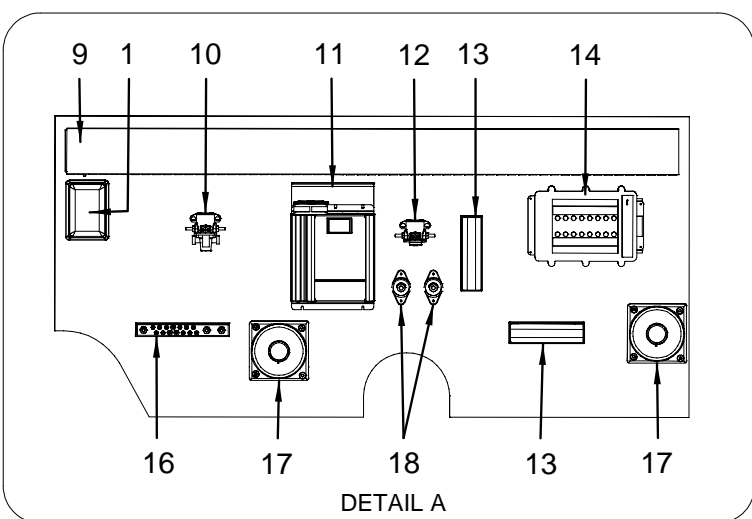
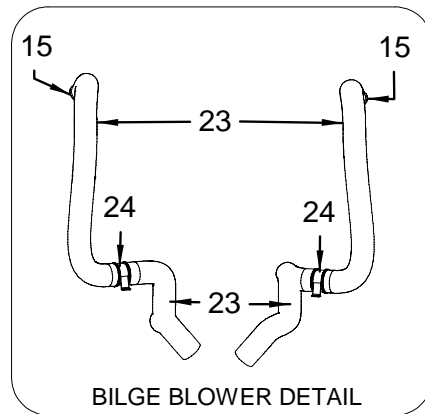
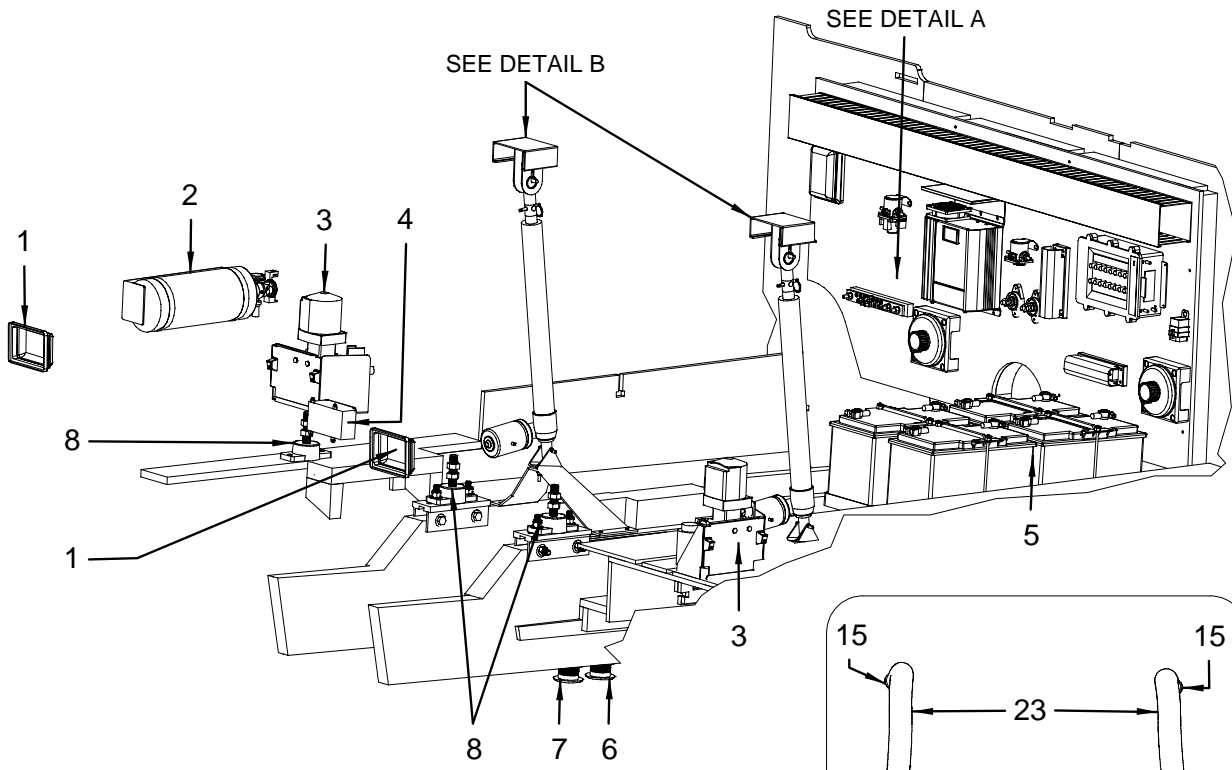
**LABELS**

1743616	LABEL, UNPLUG SHORE POWER WARNING
---------	-----------------------------------

**NOT SHOWN**

256677	CLAMP, HOSE #12 1/2"-1.25" SS .505
411132	ELBOW, PVC 1/2" MPT X 1/2" BARB X 90DEG
1882429	ELBOW, POLY 3/4" MPT X 3/4" BARB X 90DEG

BILGE



## BILGE

1	1771064	LIGHT, SGL DOME FLSH MNT PLS WHT N/SW W/CONN	13	987446	FUSE BLOCK, BLADE TYPE ANL350/500
	604801	BULB, DOME LIGHT 12V (REPLACEMENT BULB FOR 1771064)			(BOW THRUSTER)
2	1837240	FIRE EXT SYS, FE241 (SR) 250CF AUTO/MAN W/CON	14	1873190	(BOW & STERN THRUSTERS)
	1642313	HALON CABLE, MANUAL PULL CABLE 23'	15	791749	MODULE, ELEC INTERFACE AFT S-CRUISER RV5
	1642271	FIRE EXT SYS, FM200 250CF GAS/DSL-MAN/AUTO (FIRE SUPPRESSION FM 200 - INTERNATIONAL) (C E OPTION GROUP)	16	630871	VENT, PLAS GRILL 4" WHT
3	685404	ACC PART, MERC TRIM PUMP	17	136150	BUSS BAR, MAIN DC GROUND (3-STUD)
		(SUPPLIED WITH STERNDRIVE MERCURY ENGINES)			SWITCH, BATTERY ON/OFF DSL W/DISC (DIESEL ENGINES)
4	144899	BOX, PVC SWITCH BOX			(BOW THRUSTER)
		(AIR CONDITIONING / HEATING-12000BTU-120V/60)			(BOW & STERN THRUSTERS)
	144907	(AIR CONDITIONING / HEATING-12000BTU-220V/50)	18	795583	BUSS BAR, SGL POST 5/16"
		COVER PLATE, SWITCH BOX BLUE PVC	19	1847108	SUPPORT, SS SPCRUIS ENG HATCH 35"NON ADJ
		(AIR CONDITIONING / HEATING-12000BTU-120V/60)			BRACKET, SS HATCH LIFT BTWN STRNGRS 15" 316SS
		(AIR CONDITIONING / HEATING-12000BTU-220V/50)	20	1799988	ACTUATOR, ELEC HATCH LIFT 18"12V 6000RPM
5	1239458	HOLDER, BATTERY GR27/31 BLK NYLON W/SS	21	1808429	ACTUATOR, EXTEN 5.25"X 1.25"OD X .049"SS
	650499	BOOT, BATTERY CABLE 4/0 RED 11/16"	22	1686744	BRACKET, 320DA-02 HATCH LIFT UPR
	650507	BOOT, BATTERY CABLE 4/0 BLK 11/16"	23	124016	HOSE, VENT/BLOWER 4" EX HVY DTY
	1258979	BOOT, BATTERY CABLE 105C "T" BLK 4/0	24	1794013	BLOWER, BILGE 4" ATTWOOD W/CONN
	1258987	BOOT, BATTERY CABLE 105C "T" RED 4/0			
	140509	BOOT, ENG STARTER RED			
	1687181	BOOT, PVC TERM INSUL CAP(485N9V02)RED			
	136044	CABLE, BATT BLK #4/0AWG			
	136051	CABLE, BATT RED #4/0AWG			
	130799	CABLE, BATT BLK #2AWG (GENERATOR)			
	130781	CABLE, BATT RED #2AWG (GENERATOR)			
	192385	CONN, BATT LUG 4/0GA NEG W/NUT/BOLT			
	192393	CONN, BATT LUG 4/0GA POS W/NUT/BOLT			
	518712	CONN, BATT LUG 4/0GA POS T-TYPE			
	518720	CONN, BATT LUG 4/0GA NEG T-TYPE			
	793349	CONN, RING 4/0GA X 3/8R 1.15 BARE PLTD CLSD			
	1244284	CONN, RING 4/0GA X 5/16R CLSD END			
	891143	CONN, RING 4GA X 5/16R W/INSUL			
	793265	CONN, RING 2GA X 3/8R BATT/CBL COP PLTD CLSD (GENERATOR)			
	793281	CONN, RING 2GA X 5/16R .630 BARE ELONG CLSD (GENERATOR)			
6	1690371	ACC PART, MERC S-CRFT TRNS W/19' NYL DEP/TEMP (STERN DRINVE ENGINES)			
	1757382	NAVIGATOR, SRNII TRANSDUCR DEPTH/TEMP W/PT NY (RADAR / GPS / CHARTPLOTTER NORTHSTAR 6000I) (GPS / CHARTPLOTTER - NORTHSTAR 6000I) (NORTHSTAR 6100I GPS / CHARTPLOTTER) (NORTHSTAR 6100I RADAR / GPS / CHARTPLOTTER)			
	1795162	HARNES, PIGTAIL 5'SRN II XDUCR TO 6000I (RADAR / GPS / CHARTPLOTTER NORTHSTAR 6000I) (GPS / CHARTPLOTTER - NORTHSTAR 6000I) (NORTHSTAR 6100I GPS / CHARTPLOTTER) (NORTHSTAR 6100I RADAR / GPS / CHARTPLOTTER)			
	1795135	TRANSDUCER, NRTHSTR 491FF DEP/TEMP W/6'PGTAIL (NORTHSTAR 491 FISHFINDER - 6000I/6100I ONLY)			
	1795136	HARNES, NRTHSTR 491FF TRANS DEP/TEMP 30' (NORTHSTAR 491 FISHFINDER - 6000I/6100I ONLY)			
	1795499	TRANSDUCER, DEPTH/TEMP FOR DSM250 FISHFINDER (RAYMARINE DSM 300 FISH FINDER)			
	933853	TRANSDUCER, DEPTH RETRACTABLE VALOX RAYDATA (DIESEL ENGINES)			
7	1690510	SENSOR, S-CRFT PADDLE WHEEL SPEED (V-DRIVE ENGINES)			
	933861	TRANSDUCER, SPEED SELF SEALING VALOX RAYDATA (DIESEL ENGINES)			
8	667345	SUPPORT, MOTOR MOUNT 7.5"X "L" SHAPED			
	1261528	PLATE, BACKING 1/4"X 2"X 7.5" ALUM			
	1094606	ENGINE MT, ENG STEP PAD GAS/HURTH TRANS (V-DRIVE ENGINES)			
9	1051705	COVER BASE, PLAS DUCT WIRING CVR 4"X 6"WHT			
	1248335	COVER BASE, PLAS DUCT WIRING 4"X 4"X 6' WHT			
10	644609	SOLENOID, MAGNET LATCHING 12V 100A/500A W/HWD (WINDLASS - ROPE / CHAIN) (WINDLASS - CHAIN)			
11	1684144	CONVERTER, 30AMP 120VAC/12VDC			
	1893286	CHARGER, 20AMP 120/220 50/60HZ 12VDC 1220I (220 VOLT / 50 CYCLE ELECTRICAL SYSTEM)			
12	1690833	SOLENOID, EMERG START 12V 100AMP (GAS ENGINES)			
	140814	SOLENOID, EMERG START (12V DSL) (DIESEL ENGINES)			
	1737229	BOLT, HEX HD #8MM X 20MM YLW ZINC			
	1737233	NUT, HEX COUPLING #8MM X 1.5" YLW ZINC			
	1737231	WASHER, LOCK/SPLIT #8MM YLW ZINC			
	1486497	ACC PART, VOLVO BOOT PROTECTIVE SLEEVE			

## ELECTRICAL

1274588	CONN, SOLDERLESS W/CTR PIN
1507342	ACC PART, MERC S-CRFT WTHR CAP 10POS CAP (SMARTCRAFT SYSTEM VIEW- TWINS ONLY)
1690375	ACC PART, S-CRFT PITOT SENSOR (GAS STERNDRIVE ENGINES ONLY)
184648	CONN, COUPLER TYPE PL-258
1888412	RESISTOR, VLTG SURGE BATT SOLENOID SUPPRESSOR
1901233	ACC PART, MERC S-CRFT WTHR CAP 10POS PLUG
1881575	HARNES, CAN V EXT 30'
1889401	HARNES, CAN V 10-2 PIN M-M ADAPTER

## HARNESSES

1689718	HARNES, MERC S-CRFT STEER EXT (V-DRIVE ENGINES)
1849960	HARNES, MERC 10 PIN FEMALE TO FEMALE ADP (GAS ENGINES ONLY)
1848258	HARNES, FUEL ADPTR 3 PIN TO 6PIN W/PADDL WHL (V-DRIVE ENGINES)
1838695	HARNES, 310DA-07 STRN DRV BONDING
1810915	HARNES, 310DA-07 V-DRIVE BONDING (V-DRIVE ENGINES)
1898837	HARNES, 310DA-08 BILGE 120V
1898838	HARNES, 310DA-08 BILGE 220V (220 VOLT / 50 CYCLE ELECTRICAL SYSTEM)
1772366	HARNES, ENG MERC DATA 14-PIN DTS 30' (DTS ENGINES)
1899552	HARNES, 310DA-07 INST YANMAR
1895842	HARNES, 310DA-08 GEN KOHLER ECD 120V W/GAUGE

## INVERTER - 12V TO 120V/60 CYCLE

1812978	INVERTER, TRUSINE WAVE XANTREX 400W 12VDC
355081	BRKR/ROCK, SGL-POLE AC/DC HORZ 25A RED

## LABELS

1744737	LABEL, DISCHARGE OF OIL (LEXAN)
1745156	LABEL, NOTICE OVERBOARD DISCHARGE (LEXAN) (MACERATOR W/ SEACOCK INTERLOCK SYSTEM) (VACUUM FLUSH HEAD W/ DIRECT OVER BOARD INTL)
1745512	LABEL, STAY CLEAR OF MOVING PARTS ON ENGINE
1745513	LABEL, WARNING LEAKING FUEL
1746895	LABEL, CHECK BATTERY CELL FLUID LEVEL
1746896	LABEL, DANGER STAY CLEAR OF MOVING PARTS
1751885	LABEL, CAUTION: PRIOR TO TOWING VESSEL (V-DRIVE ENGINES)
1888131	LABEL, WARNING ENG HATCH SUPPORT

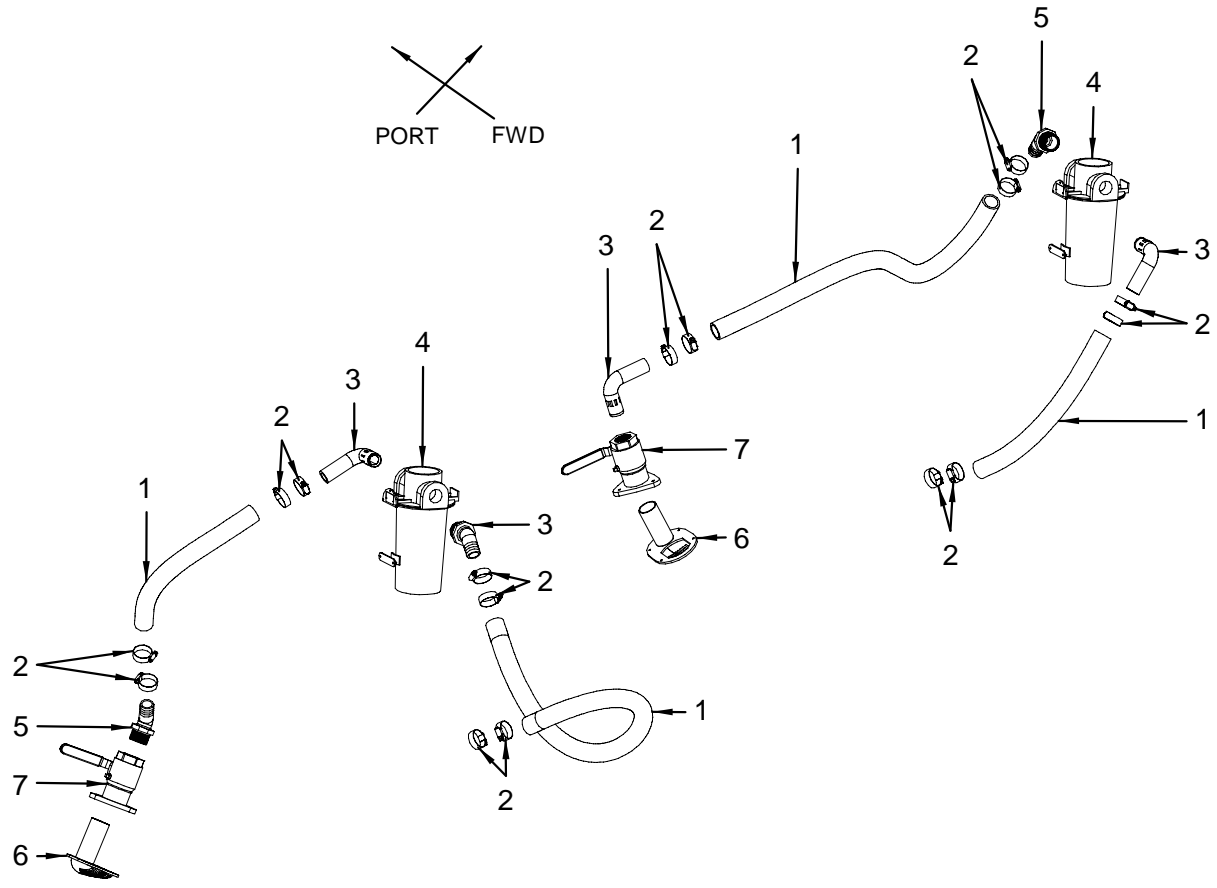
## NOT SHOWN

1396142	MOLDING, FOAM RBR "D-SHAPE" 1.75" W/HAT ADH (ENGINE HATCH)
1656719	LATCH, FLUSH MOUNT ROUND T-HANDLE SS N/PAWL (ENGINE HATCH)
770404	INSULATION, 2" ACOUSTICAL 4.5'X 6' ALUM (ENGINE HATCH)
315507	INSULATION, VIBRACON 1"
123661	CLAMP, LOOM VINYL DIP 1"
141713	ADAPTER, BRASS 3/8"MP T X 5/8"BARB (T-350 MAG MPI HORIZON BR 3 (T-300PHP) S/D) (T-MX 6.2L MPI HORIZON BR 3 (T-320 PHP) S/D) (T-350 DTS MAG MPI HORIZON BR3 (T-260 PHP) (T-MX 6.2L DTS MPI HORIZON BR3 (T-320 PHP)
1043017	TUBING, VINYL SPEEDO BLK
1916533	BRKR, CIRC KOHLER GAS GEN 25A/50HZ KIT (HULL# 1259 -> UP)
1734756	BRKR, CIRC KOHLER GAS GEN 18A/50HZ KIT (HULL# 1201 -> 1258)

**NOT SHOWN (continued)**

- 1816196 LABEL, WARNING ELEC SHK HZRD INVRTR DISCNT DC  
(INVERTER - 12V TO 220V/50 CYCLE)
- 1852916 PANEL, INVERTER STATUS INDICATOR  
(INVERTER - 12V TO 220V/50 CYCLE)
- 1896439 INVERTER, TRUSINE WAVE XANTREX 230V/50HZ  
(INVERTER - 12V TO 220V/50 CYCLE)
- 1816197 LABEL, WARNING ELEC SHK HZRD INVRTR FED RECPT  
(INVERTER - 12V TO 220V/50 CYCLE)
- 1816198 LABEL, CAUTION ELEC LOAD ONLY INVRTR REPCT  
(INVERTER - 12V TO 220V/50 CYCLE)
- 1771726 STEERING, PUMP SEA STAR PWR ASSIST 12V  
(STEERING- PWR ASSISTED HYDRAULIC V-DR ONLY)
- 1765809 STEERING HOSE, 5/16"X 16'W/FITTINGS (SEASTAR)  
(STEERING- PWR ASSISTED HYDRAULIC V-DR ONLY)
- 1776219 STEERING HOSE, 5/16"X 12'W/FITTINGS (SEASTAR)  
(STEERING- PWR ASSISTED HYDRAULIC V-DR ONLY)
- 1895423 CONTROL, DUAL IGN KIT  
(STEERING- PWR ASSISTED HYDRAULIC V-DR ONLY)

**BILGE (WATER INTAKE SYSTEM) STERN DRIVE**

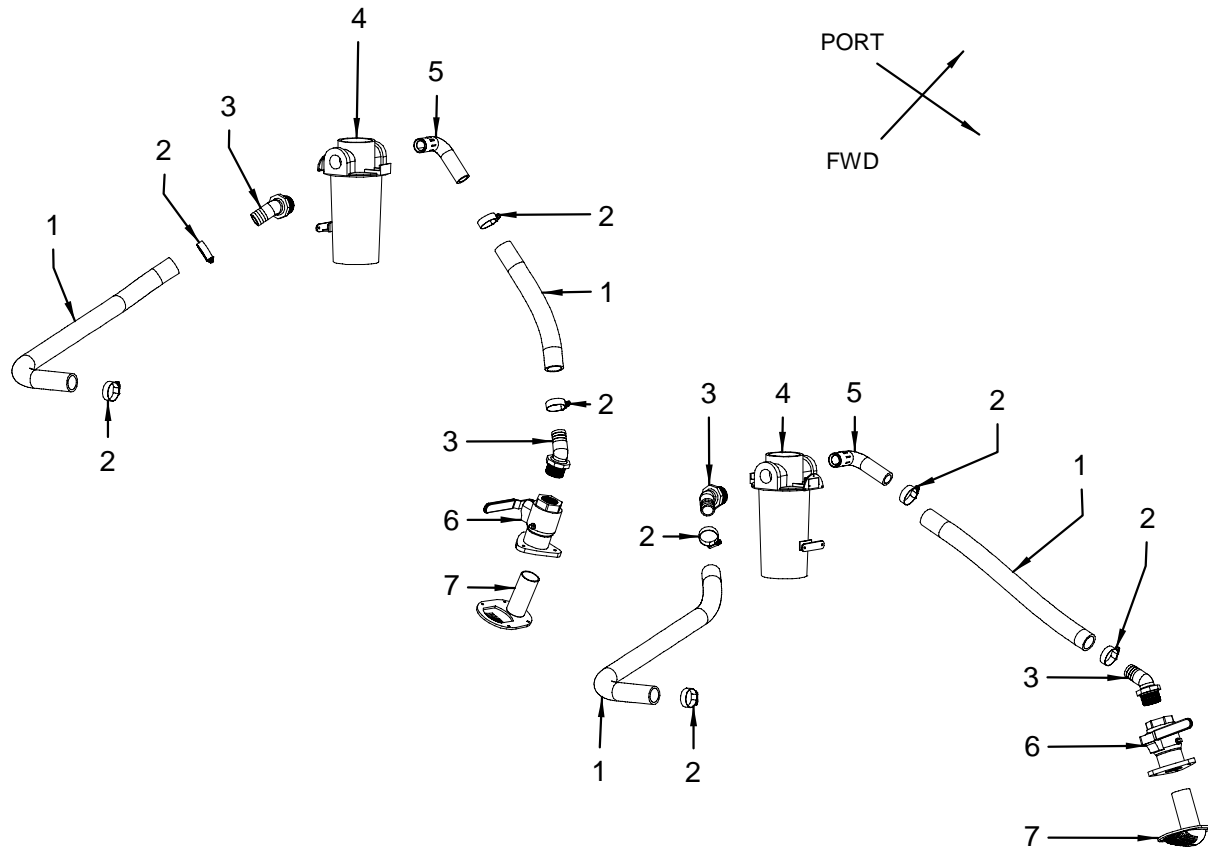


**BILGE (WATER INTAKE SYSTEM) STERN DRIVE**

- 1 124206 HOSE, WATER INTAKE 1.25" HW
- 2 417717 CLAMP, HOSE #36 7/8"-2.75" SS .505
- 3 144691 ELBOW, BRZ 90DEG 1.25"MPT X 1.25"BARB (PERKO)
- 4 158063 STRAINER, BRZ WATER INTAKE 1.25"
- 1884113 BRACKET, STRAINER MNT LWR BRZ  
(PART OF 158063)
- 1884114 CLAMP, SS STRAINER (STRAP)  
(PART OF 158063)
- 5 586917 ELBOW, BRZ 45DEG 1.25"MPT X 1.25"BARB
- 518464 TAILPIECE, BRZ 1.25"MPT X 1.25"BARB
- 6 531590 PICK-UP, BRZ WATER INTAKE 1.25"
- 7 518449 SEACOCK, BRZ 1.25" W/O TAILPIECE

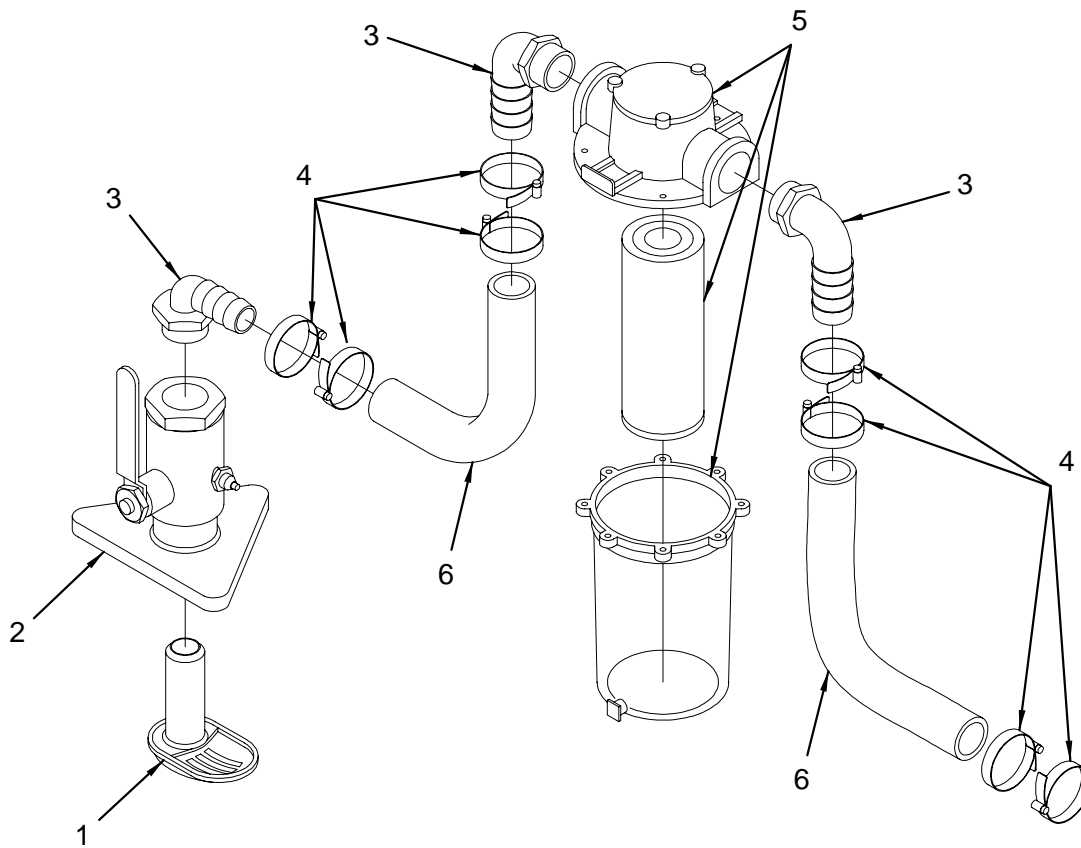


**BILGE (WATER INTAKE SYSTEM) V-DRIVE**



**BILGE (WATER INTAKE SYSTEM) V-DRIVE**

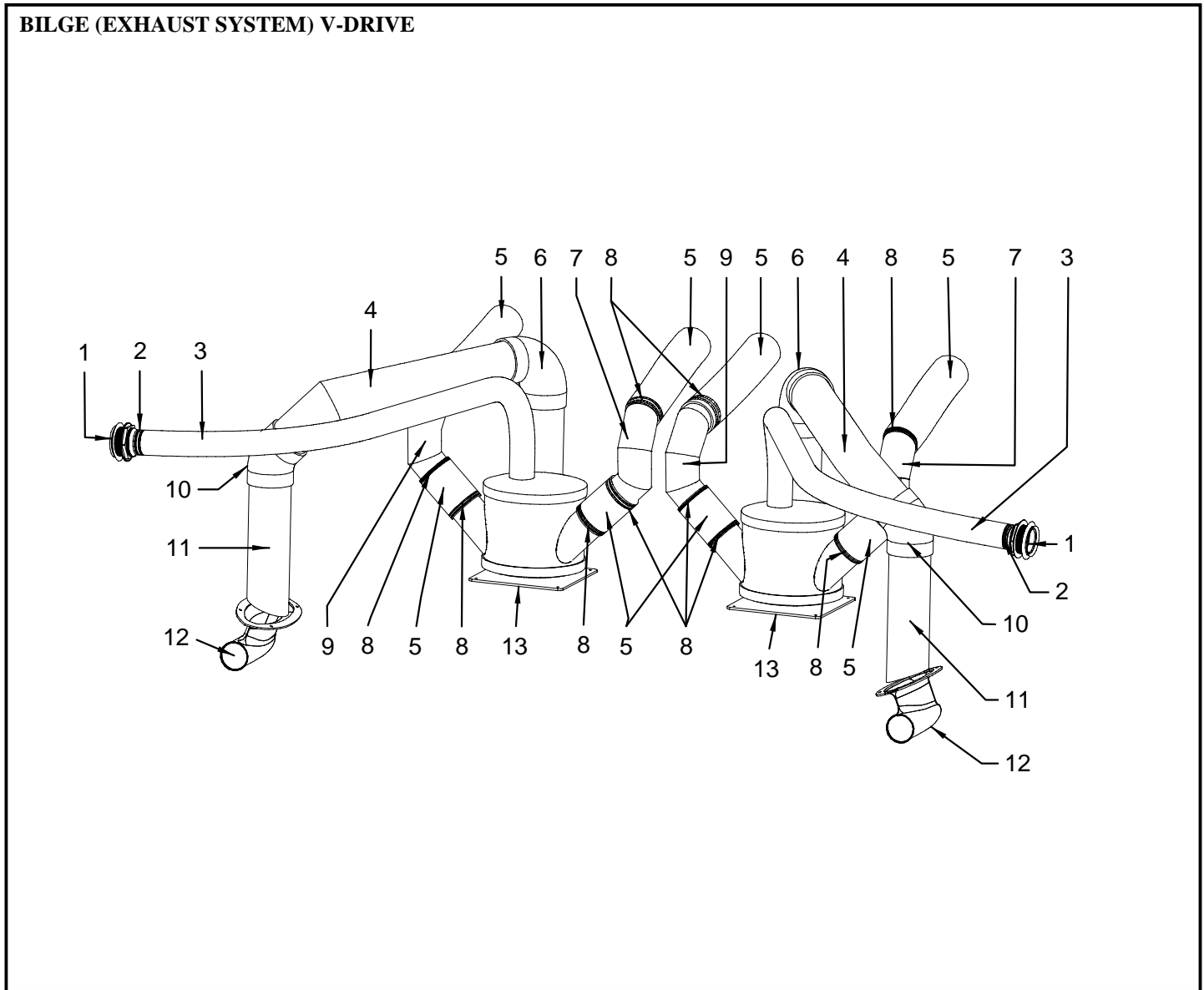
- 1 124206 HOSE, WATER INTAKE 1.25" HW
- 2 417717 CLAMP, HOSE #36 7/8"-2.75" SS .505
- 3 586917 ELBOW, BRZ 45DEG 1.25"MPT X 1.25"BARB
- 518464 TAILPIECE, BRZ 1.25"MPT X 1.25"BARB
- 4 158063 STRAINER, BRZ WATER INTAKE 1.25"
- 1884113 BRACKET, STRAINER MNT LWR BRZ  
(PART OF 158063)
- 1884114 CLAMP, SS STRAINER (STRAP)  
(PART OF 158063)
- 5 144691 ELBOW, BRZ 90DEG 1.25"MPT X 1.25"BARB (PERKO)
- 6 518449 SEACOCK, BRZ 1.25" W/O TAILPIECE
- 7 531590 PICK-UP, BRZ WATER INTAKE 1.25"

**BILGE (WATER INTAKE SYSTEM) YANMAR DIESEL****BILGE (WATER INTAKE SYSTEM) YANMAR DIESEL**

- |   |        |  |
|---|--------|--|
| 1 | 531590 | PICK-UP, BRZ WATER INTAKE 1.25"            |
| 2 | 518449 | SEACOCK, BRZ 1.25" W/O TAILPIECE           |
| 3 | 170449 | ELBOW, RED BRASS 90DEG 1.25"MPT X 1.5"BARB |
| 4 | 256693 | CLAMP, HOSE #24 1"-2" SS .505              |
| 5 | 158063 | STRAINER, BRZ WATER INTAKE 1.25"           |
| 6 | 124206 | HOSE, WATER INTAKE 1.25" HW                |

**NOT SHOWN**

- |         |   |
|---------|---|
| 836007  | BRACKET, ALUM 1.5"X 1.5"X 3" 3/16"HOLES |
| 124214  | HOSE, WATER INTAKE 1.5" HW              |
| 325548  | ADAPTER, BRZ 1.25"MPT X 1.5"BARB        |
| 1758957 | PVC BOARD, 1/2"X 4"X 8' WHT INTEFOAM    |



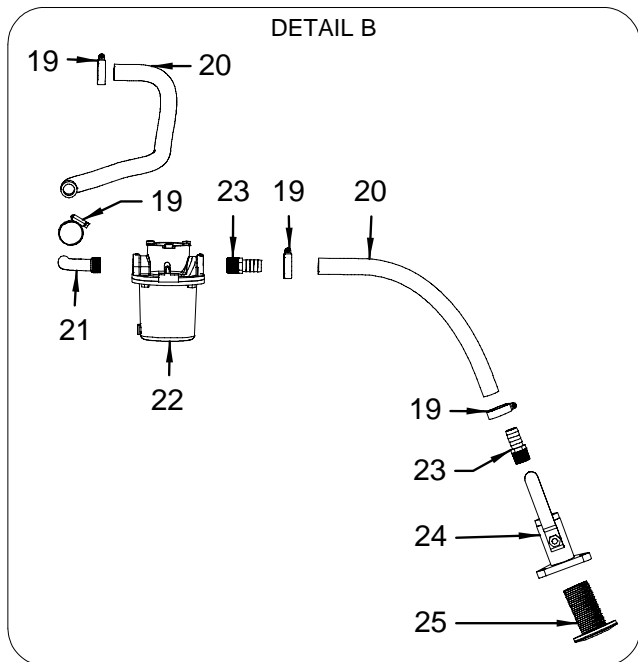
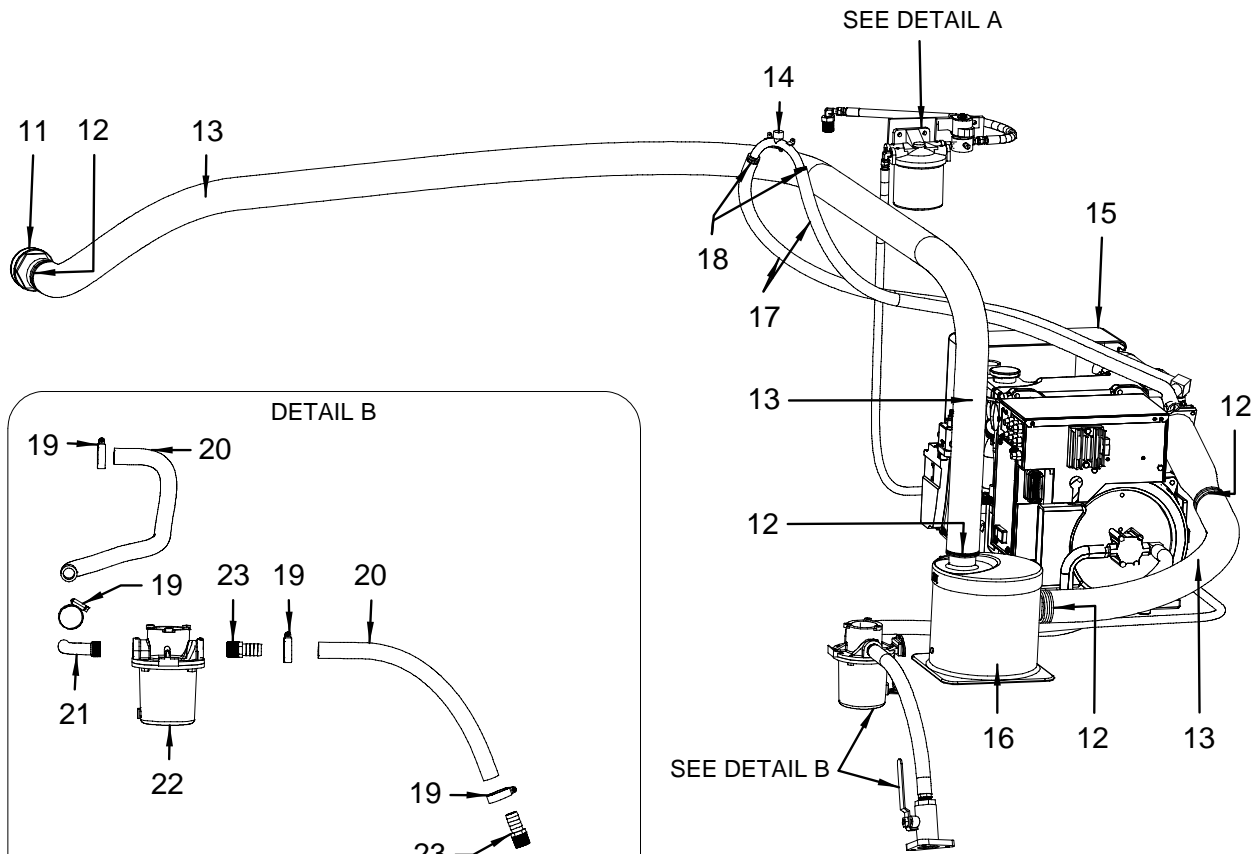
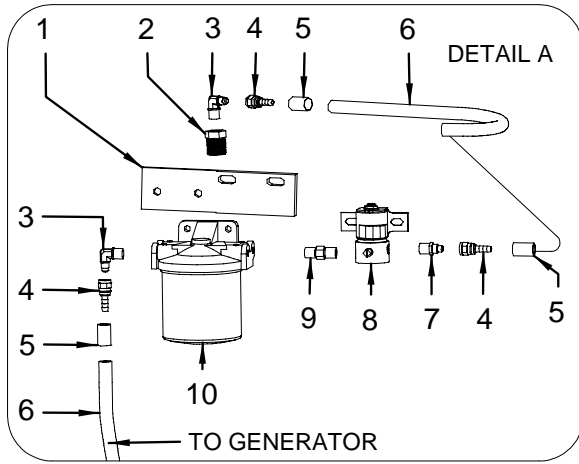
**BILGE (EXHAUST SYSTEM) V-DRIVE**

- 1 1761551 THRU-HULL, SS EXHAUST 2.5" X-LONG  
1831304 THRU-HULL, FLAP ONLY SS EXH 2.5-3" X-LONG  
(PART OF 1761551)
- 2 256727 CLAMP, HOSE #48 1 5/8"-3.5" SS .505
- 3 564682 HOSE, EXHAUST 2.5" HW
- 4 1833431 EXHAUST, EL 5"X 24.4" V-DRV P/S GAS 310DA-07
- 5 124107 HOSE, EXHAUST 4" SW
- 6 860064 EXHAUST, EL 5"X 90DEG RBR W/T-BOLT CLAMPS
- 7 1411875 EXHAUST, EL 4"X 9.38" V-DRIVE STBD 310DA-00
- 8 256743 CLAMP, HOSE #72 3 1/8"-5" SS .505
- 9 1411867 EXHAUST, EL 4"X 9.38" V-DRIVE PORT 310DA-00
- 10 912345 EXHAUST, EL 5"X 45DEG RBR W/CLAMPS
- 11 1835635 TUBING, EXH GLASS 5"X 18"X 21DEG
- 12 1215573 EXHAUST, BRZ U/W EXH OUTLET GAS 99
- 13 1598564 MUFFLER, 360DA-02 V/D 22"

**LABELS**

- 1744845 LABEL, EXHAUST OUTLET (LEXAN)

GENERATOR SYSTEM (GAS)



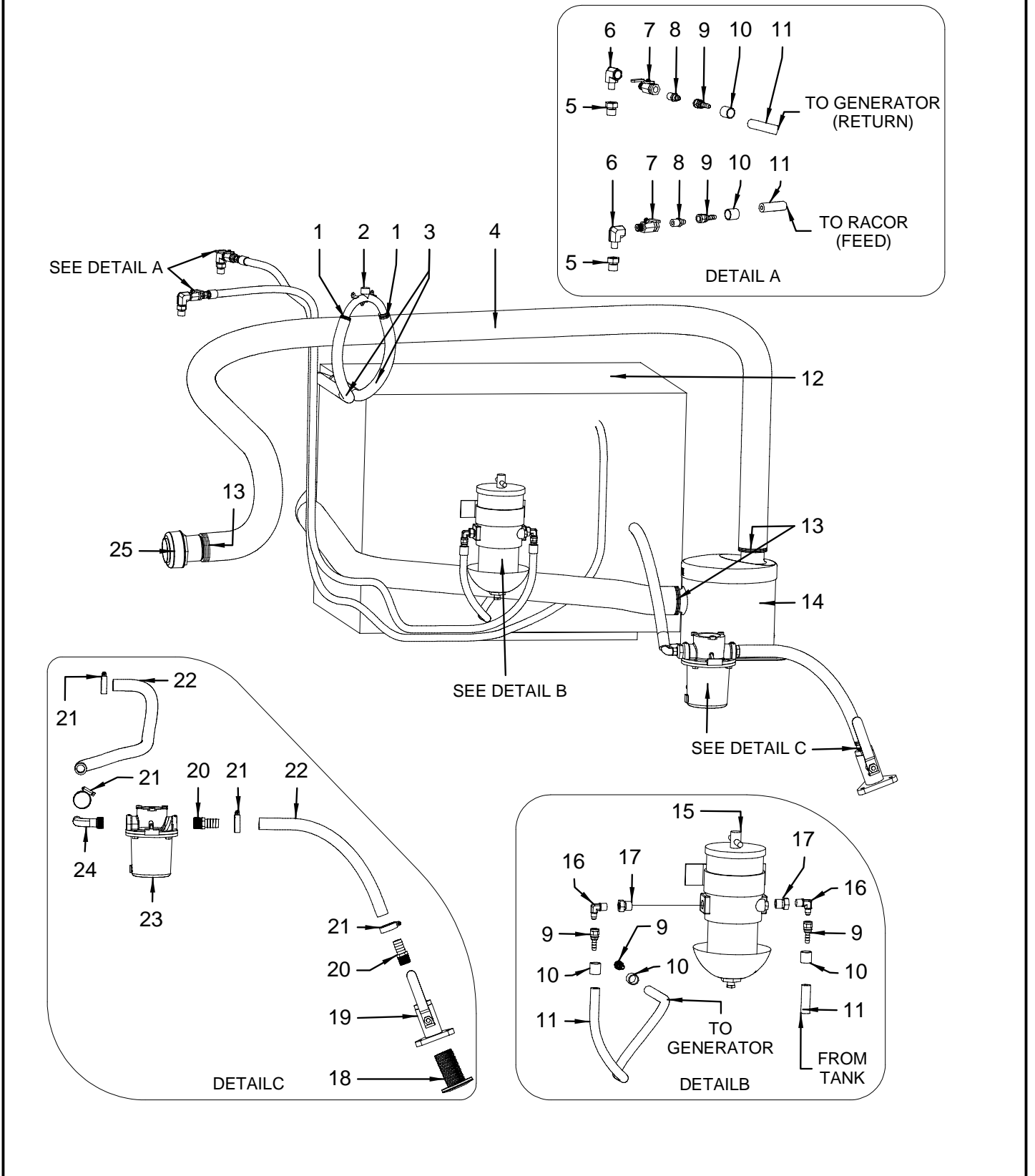
**GENERATOR SYSTEM (GAS)**

1	1791354	BRACKET, ELEC FUEL SHUT OFF A&B MOUNT
2	147561	BUSHING, SS THD 1/4"FPT X 1/2"MPT
3	629253	ELBOW, BRASS 90DEG 1/4"SAE X 1/4"MPT
4	1887750	FITTING, BRASS BARB/NUT 1/4" FEMALE SAE
5	1887693	FERRULE, FUEL LINE 1/4" .575"ID X .625"OD
6	1884010	HOSE, FUEL 1/4" TYPE A CLASS 1-15 ISO/CE/CARB
7	140483	ADAPTER, BRASS 1/4"MPT X 3/8"SAE
8	1791155	VALVE, BRASS FUEL SHUT-OFF 12V SER7000 10W
9	570135	NIPPLE, BRASS 1/4"MPT X 1/4"MPT
10	148171	FILTER, FUEL/WATER SEPARATOR KIT
11	1769255	THRU-HULL, SS EXHAUST 2" W/SS LIP
	1835350	THRU-HULL, FLAP ONLY SS EXH 2" X-LONG (PART OF 1769255)
12	417717	CLAMP, HOSE #36 7/8"-2.75" SS .505
13	913053	HOSE, EXHAUST 2" CORR HW
14	1568765	SYPHON BREAK KIT, GEN EXH 5KW GAS (SUPPLIED WITH GENERATOR)
15	1803671	GENERATOR, 5ECD GAS KOHLER 120V/60 SCRFT (GENERATOR 5.0 ECD KOHLER - GAS - 120V/60HZ)
	1833211	GENERATOR, 4EFCD GAS KOHLER 220V/50 SCRFT (GENERATOR 4.0 EFCD KOHLER - GAS - 220V/50HZ)
16	1784602	MUFFLER, 2"IN X 2"OUT 9"X 9" BASE
	160374	MUFFLER, DRAIN PLUG (PART OF 1784602)
17	124594	HOSE, WATER 5/8" HVY DTY (HEATER)
18	263954	CLAMP, HOSE #10 1/2"-1 1/8" SS .505
19	256677	CLAMP, HOSE #12 1/2"-1.25" SS .505
20	123810	HOSE, GEN PURPOSE 3/4"
21	169193	ELBOW, BRZ 90DEG 3/4"MPT X 3/4"BARB
22	1791584	STRAINER, BRZ WATER INTAKE 3/4" W/NYLON STRAP
	1404854	PLUG, PLASTIC STRAINER DRAIN (PART OF 1791584)
	1851357	BRACKET, STRAINER MNT UPR (PART OF 1791584)
	1851358	BRACKET, STRAINER MNT LWR (PART OF 1791584)
23	531426	ADAPTER, BRZ 3/4"MPT X 3/4"BARB
24	518431	SEACOCK, BRZ 3/4" W/O TAILPIECE
25	640300	THRU-HULL, BRZ 3/4" W/O NUT

**LABELS**

1743616	LABEL, UNPLUG SHORE POWER WARNING
1831528	LABEL, GENERATOR RESET NOTICE

**GENERATOR SYSTEM (DIESEL)**



**GENERATOR SYSTEM (DIESEL)**

- 1 263954 CLAMP, HOSE #10 1/2"-1 1/8" SS .505
- 2 1568765 SYPHON BREAK KIT, GEN EXH 5KW GAS  
(SUPPLIED WITH GENERATOR)
- 3 124594 HOSE, WATER 5/8" HVY DTY (HEATER)
- 4 913053 HOSE, EXHAUST 2" CORR HW
- 5 185793 NIPPLE, SS 3/8"MPT X HEX
- 6 140483 ADAPTER, BRASS 1/4"MPT X 3/8"SAE
- 7 1214162 VALVE, BRASS 2-WAY BALL 3/8"FPT X 3/8"FPT
- 8 169524 ADAPTER, BRASS 3/8"MPT X 3/8"SAE
- 9 1887747 FITTING, BRASS BARB/NUT 3/8" FEMALE SAE
- 10 1887694 FERRULE, FUEL LINE 3/8" .718"ID X .768"OD
- 11 1884011 HOSE, FUEL 3/8" TYPE A CLASS 1-15 ISO/CE/CARB
- 12 1895081 GENERATOR, 6.0KW DSL KOHLER 6EOD 120V/60HZ
- 13 417717 CLAMP, HOSE #36 7/8"-2.75" SS .505
- 14 1784602 MUFFLER, 2"IN X 2"OUT 9"X 9" BASE  
160374 MUFFLER, DRAIN PLUG  
(PART OF 1784602)
- 15 1524065 FILTER, REMOTE FUEL DSL (500MASR)
- 16 494609 ELBOW, BRASS 90DEG 3/8"FPT X 3/8"SAE
- 17 791392 BUSHING, SS THD 1/4"FPT X 3/8"MPT
- 18 640300 THRU-HULL, BRZ 3/4" W/O NUT
- 19 518431 SEACOCK, BRZ 3/4" W/O TAILPIECE
- 20 531426 ADAPTER, BRZ 3/4"MPT X 3/4"BARB
- 21 256677 CLAMP, HOSE #12 1/2"-1.25" SS .505
- 22 123810 HOSE, GEN PURPOSE 3/4"
- 23 1791584 STRAINER, BRZ WATER INTAKE 3/4" W/NYLON STRAP  
1404854 PLUG, PLASTIC STRAINER DRAIN  
(PART OF 1791584)
- 1851357 BRACKET, STRAINER MNT UPR  
(PART OF 1791584)
- 1851358 BRACKET, STRAINER MNT LWR  
(PART OF 1791584)
- 24 169193 ELBOW, BRZ 90DEG 3/4"MPT X 3/4"BARB
- 25 1769255 THRU-HULL, SS EXHAUST 2" W/SS LIP  
1835350 THRU-HULL, FLAP ONLY SS EXH 2" X-LONG  
(PART OF 1769255)

**HARNESSES**

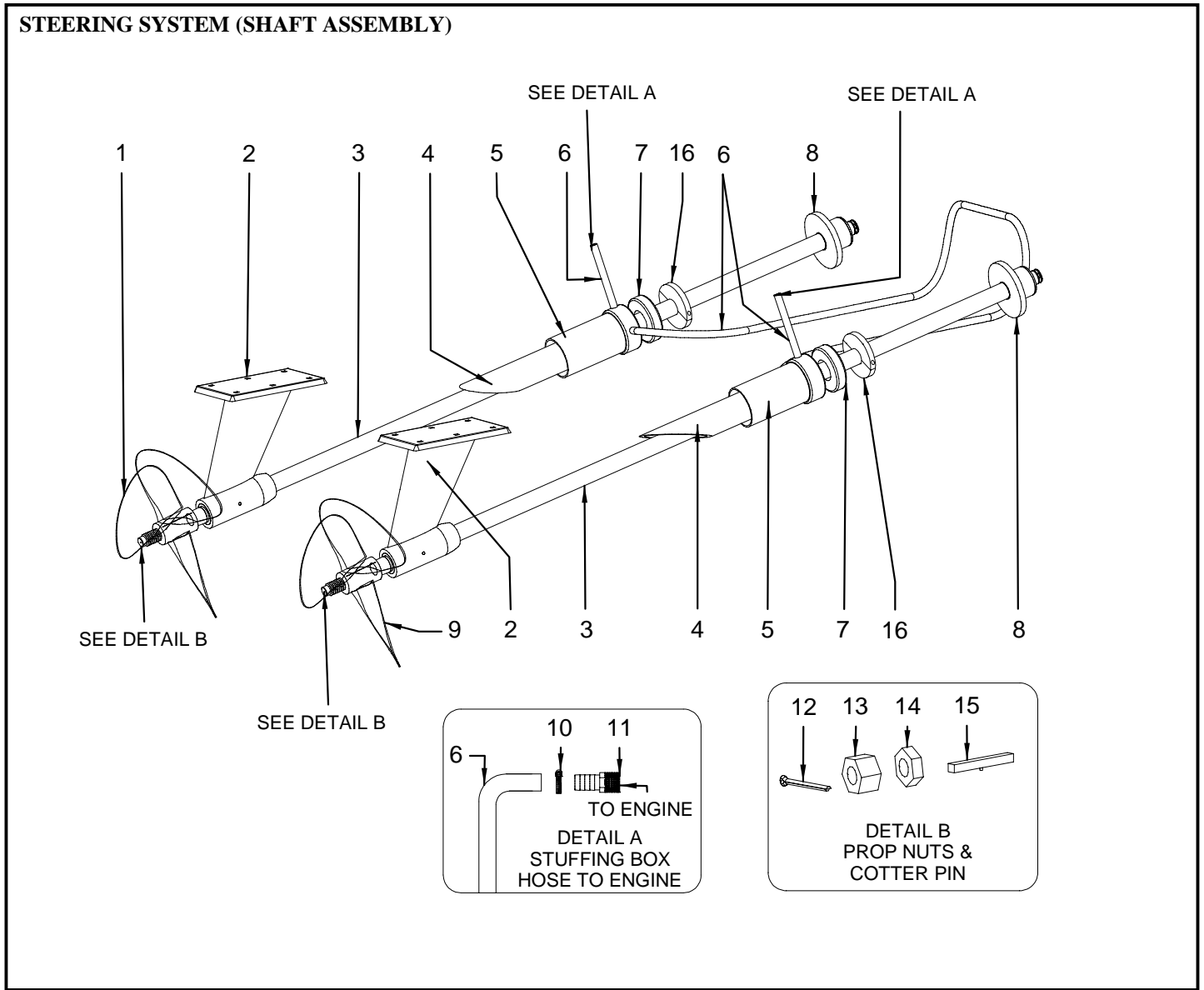
- 1849163 HARNESS, 310DA-07 GEN KOHLER DSL 120/220V

**LABELS**

- 1743616 LABEL, UNPLUG SHORE POWER WARNING

**NOT SHOWN**

- 140483 ADAPTER, BRASS 1/4"MPT X 3/8"SAE
- 140426 ELBOW, BRASS 90DEG STREET 3/8"



**STEERING SYSTEM (SHAFT ASSEMBLY)**

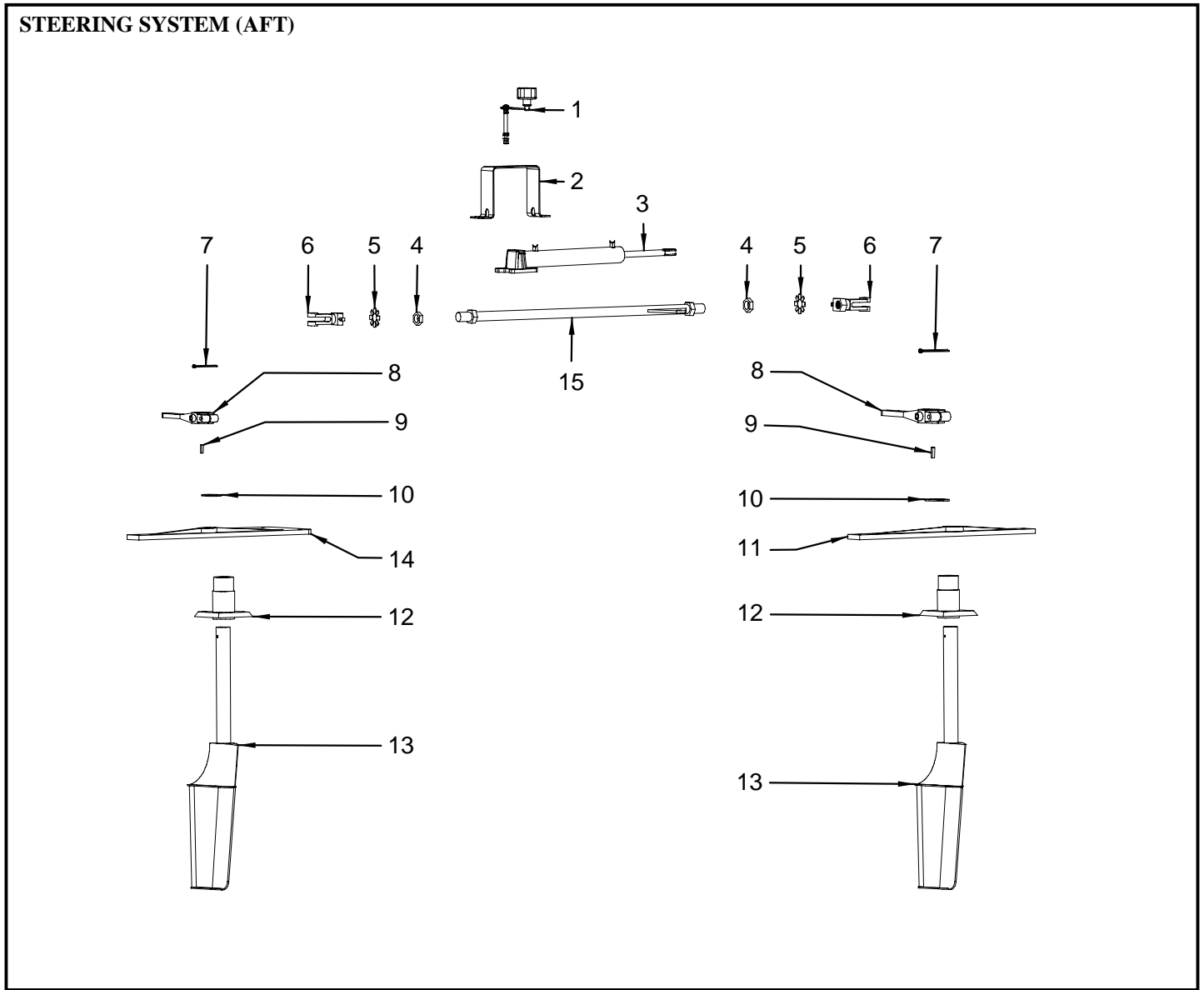
- 1 1851049 PROP, 18"X 16.5"X 4.85"LH #4C "Z" 1.5" SHAFT
- 2 1603547 STRUT, W/BEARING 1.5"W/1/2"MNT HOLES 320DA-02
- 3 981522 SHAFT, SS 1.5"X 73.19" AQ19 W/COUPLING
- 4 982025 TUBING, SHAFT LOG 2.63"OD X 12" 310DA 98
- 5 1581503 STUFFING BOX, UHMW 1.5"ID 2 5/8"HOSE
- 1691382 HOSE, SHAFT LOG 2.5"X2.625"X5.75"BLUE SILICON  
(PART OF 1581503)
- 1733930 CAP, FRONT SEAL SHAFT STUFF BOX 1.5" & 1.75"  
(PART OF 1581503)
- 1743341 CLAMP, HOSE 2.5" SHAFT LOG  
(PART OF 1581503)
- 6 1884011 HOSE, FUEL 3/8" TYPE A CLASS 1-15 ISO/CE/CARB
- 7 803718 SEAL KIT, SPARE SHAFT STUFFING BOX 1.5"W/TOOL  
(PART OF 1581503)
- 8 991265 COUPLING, 1.5" HURTH REVERSED TAPPER  
(PART OF 981522)
- 1883554 KEY STOCK, COUPL 3/8"X 2 3/8" SS W/PIN  
(PART OF 981522)
- 1440742 NUT, JAM 1 1/8" X 12 HVY NYLOCK ZINC PLATED  
(PART OF 981522)
- 9 1851050 PROP, 18"X 16"X 4.85"RH #4C "Z" 1.5" SHAFT
- 10 123398 CLAMP, HOSE #06M 5/16"-7/8"SS MINI
- 11 169524 ADAPTER, BRASS 3/8"MPT X 3/8"SAE
- 12 1690740 PIN, COTTER PIN 5/32"X 1 3/4" SS  
(PART OF 981522)
- 13 1440718 NUT, HEX 1 1/8"X 7 BRZ HVY FULL  
(PART OF 981522)

- 14 1440726 NUT, HEX 1 1/8"X 7 BRZ HVY JAM  
(PART OF 981522)
- 15 1690739 KEY STOCK, PROP 3/8"X 3 3/8" BRNZ  
(PART OF 981522)
- 16 1872604 COLLAR, SS SHAFT 1.5"

**NOT SHOWN**

- 1583087 BOLT, HEX HD #7/16-20 X 1.5" GR8 CAD PLT
- 1583327 WASHER, LOCK/SPLIT 7/16" CADNIUM PLATED
- 1583335 NUT, HEX #7/16-20 CADNIUM PLATED





**STEERING SYSTEM (AFT)**

- 1 1610427 SENDER, MERC S/CRFT STEERING/RDR REFERENCE (V-DRIVE ENGINES WITH SMARTCRAFT SYSTEM VIEW)
- 1689718 HARNESS, MERC S-CRFT STEER EXT (V-DRIVE ENGINES WITH SMARTCRAFT SYSTEM VIEW)
- 2 1733142 BRACKET, SS RDR INDCATR W/SCRFT KIT (V-DRIVE ENGINES WITH SMARTCRAFT SYSTEM VIEW)
- 3 127068 STEERING, HYD CYLINDER BA135-7ATM I/B
- 4 143990 NUT, HEX JAM NUT #1-14 SS
- 5 622910 WASHER, TIE BAR LOCK WASHER 1" SS
- 6 143222 RUDDER CLEVIS, 4"LONG X 1"-14 FPT
- 7 144402 PIN, COTTER PIN 5/32"X 2" SS
- 8 161232 RUDDER ARM, 1.5"
- 9 144394 KEY STOCK, RUDDER 1/4"X 1/4"X 12" BRASS
- 10 161257 WASHER, RUDDER WASHER 1.5"
- 11 1831121 RUDDER SUPPORTS, 310DA-07 PRT
- 12 587147 STUFFING BOX, RUDDER W/PACK 1.5"DIA
- 13 604850 RUDDER, 310SB/350EB
- 14 1831122 RUDDER SUPPORTS, 310DA-07 STB W/RAM MNT
- 15 1646082 TIE BAR, RUDDER 32.00" V-DRIVE W/TAB

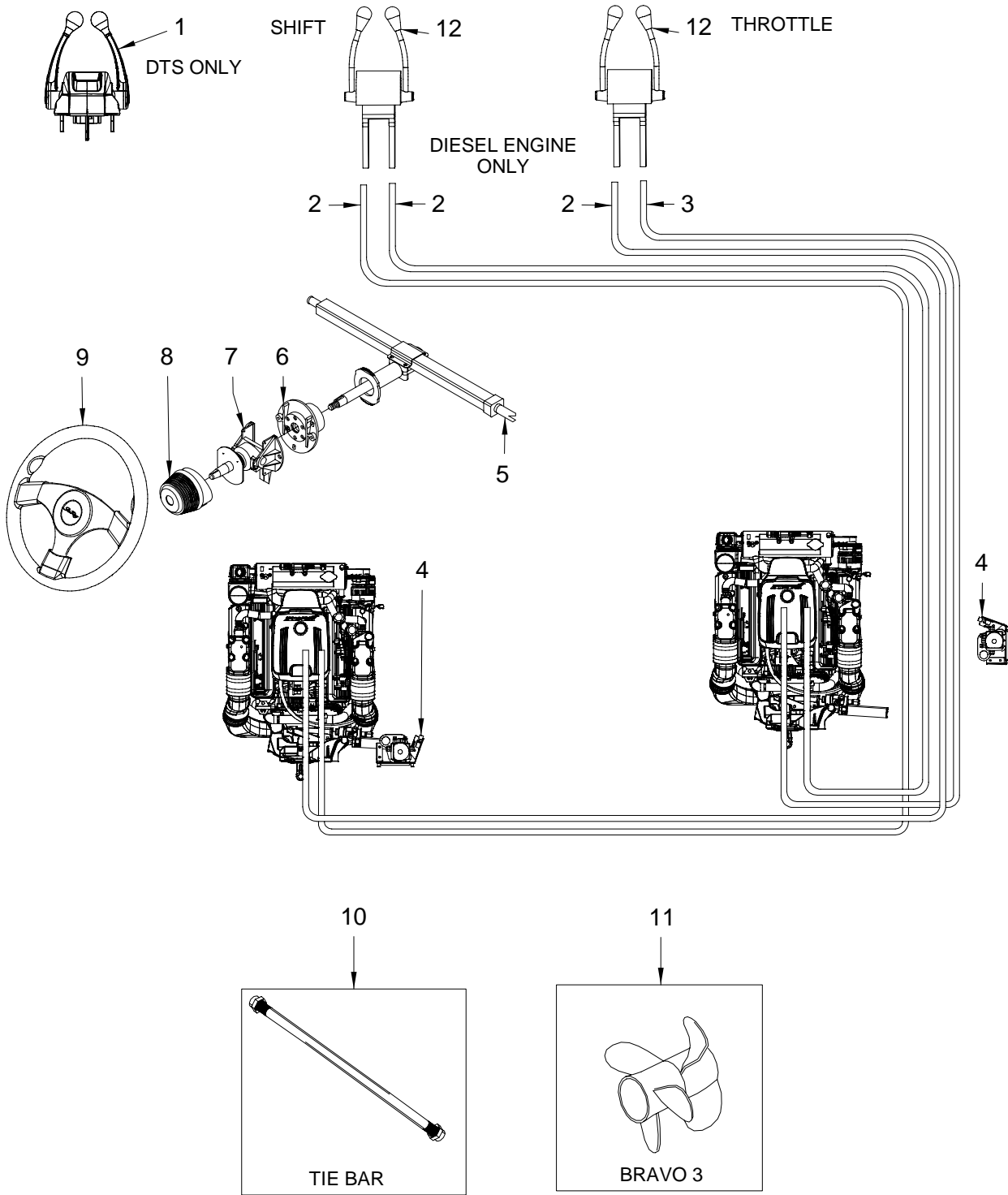
**AUTOPILOT - RAYPILOT ST 7001+ (continued)**

- 1755521 AUTO PILOT, RUDDER REFERENCE FOR HC5345 (PART OF 1612761)
- 1755738 AUTO PILOT, FLUXGATE COMPASS (PART OF 1612761)
- 1758953 ANGLE, RUDDER W/SWEEP ARM RAYMARINE (PART OF 1612761)
- 1685217 BRACKET, SS COREPAK ADJ
- 168807 STEERING, ADAPTER BRASS 1/4"MPT X 3/8"COMP
- 1727593 BRACKET, SS RUDDER INDICATOR RAYMAR W/S-CRFT
- 1762407 STEERING HOSE, 5/16"X 3"W/FITTINGS (SEASTAR)
- 1762408 STEERING HOSE, 5/16" X 2"W/FITTINGS (SEASTAR)
- 1777899 STEERING HOSE, 5/16"X 23"W/FITTINGS (SEASTAR)
- 577312 TEE, BRASS 3/8"COMP X 1/4"MPT X 3/8"COMP
- 763813 FUSE, BLADE TYPE CLOSED 25A
- 785295 ROD, THREAD 6MM X 40.67CM SS
- 852483 AUTO PILOT, RAYPILOT TYPE I PUMP UNIT
- 999284 STEERING, FITTING ELBOW TUBE TO 1/4"MPT
- 996959 STEERING, O/B HOSE KIT 22' W/2 HOSES

**AUTOPILOT - RAYPILOT ST 7001+**

- 1612761 AUTO PILOT, RAYPILOT TYPE I T150 CORE PACK
- 1698068 AUTO PILOT, RUDDER REFERENCE INDICATOR (PART OF 1612761)

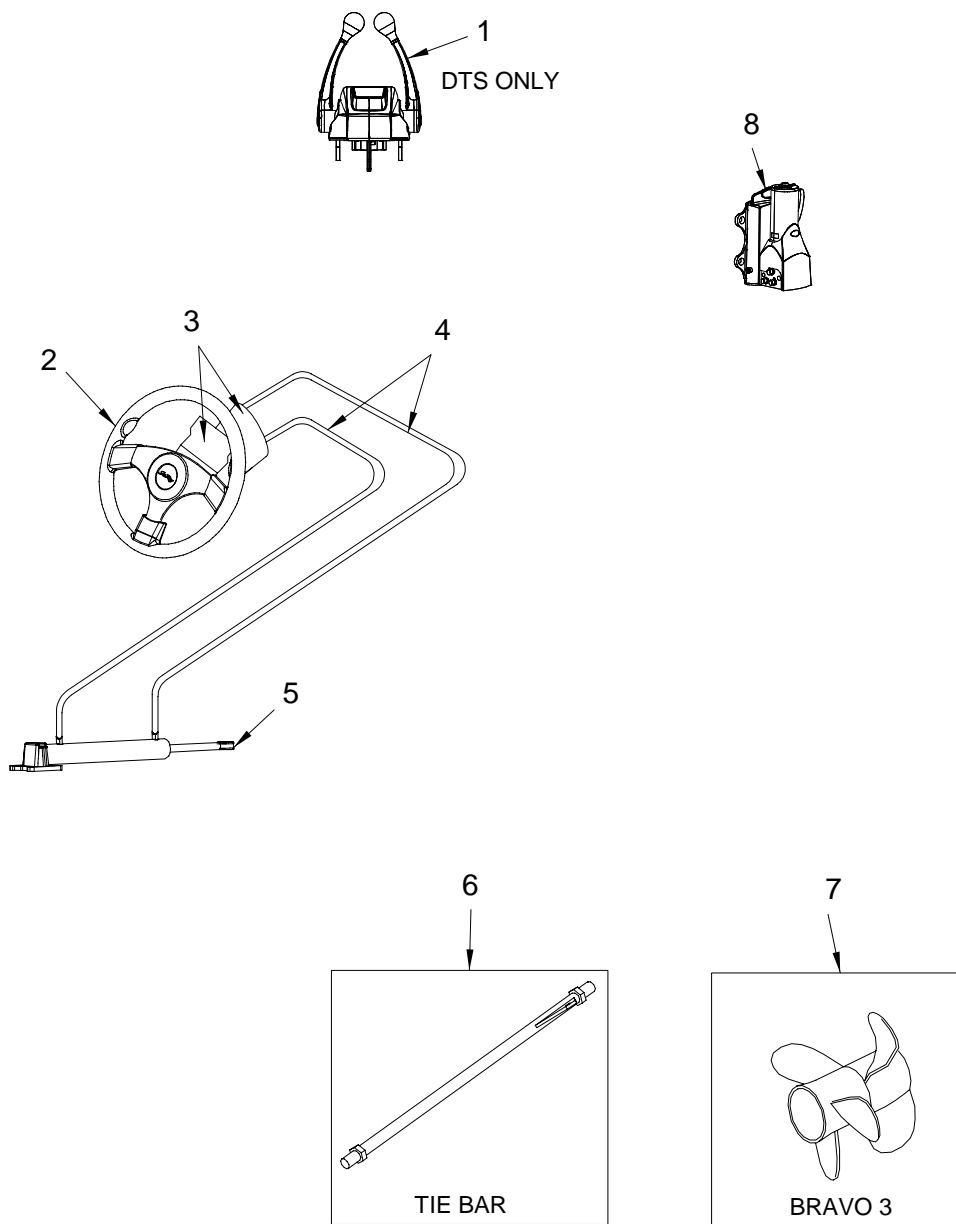
STEERING SYSTEM (CONTROLS) STERN DRIVE



**STEERING SYSTEM (CONTROLS) STERN DRIVE**

- 1 1883502 CONTROL, DTS TS/TS W/CAN TRACKPAD
- 1883473 BOARD, DTS DUAL ENG HELM COMP
- 2 1888255 CABLE, CONTROL MERC SAE/MERC ENG END PLAT 24'  
(DIESEL ENGINES)
- 1888253 CABLE, CONTROL MERC SAE/MERC ENG END PLAT 20'  
(DIESEL ENGINES)
- 3 1888254 CABLE, CONTROL MERC SAE/MERC ENG END PLAT 21'  
(DIESEL ENGINES)
- 4 685404 ACC PART, MERC TRIM PUMP
- 5 1091891 STEERING, BACK MNT RACK/CABLE 21.0' ASSY
- 6 1092246 STEERING, TILT HELM BACK-MNT
- 7 1823728 STEERING, PERFORMANCE TILT PRO-SERIES MECH  
(HULL# 1301 -> UP)
- 662510 STEERING, PERFORMANCE TILT MECHANISM  
(HULL# 1201 -> 1300)
- 8 126987 STEERING, MOUNT 90 DEG BEZEL ONLY  
(PART OF 662510)
- 958439 STEERING, BELLOWS TILT STEERING BLK  
(PART OF 662510)
- 9 1810006 STEERING WHEEL, 14.25" SPCRUIS SEARS W/BLK
- 758599 HUB KIT, STEERING WHEEL DINO 332  
(PART OF 1810006)
- 1792417 PAD, STEER WHL CTR FOR #1526292  
(PART OF 1810006)
- 1835885 STEERING WHEEL, CHR RING FOR 1810006  
(PART OF 1810006)
- 1747682 EMBLEM, S/R EMB SCRIPT WHEEL CHR-BEZEL 1.75"
- 10 142083 TIE BAR, MERC V-8 TYPE 30"-46"
- 11 708172 PROP, 15.75"X 22" SS BR3 LH  
(T-5.0L MPI DTS BR 3)
- 708180 PROP, 14.25"X 22" SS BR3 RH  
(T-5.0L MPI DTS BR 3)
- 708198 PROP, 15.5"X 24" SS BR3 LH  
(T-MX 6.2L MPI SEACORE DTS BR 3)
- 708206 PROP, 14.25"X 24" SS BR3 RH  
(T-MX 6.2L MPI SEACORE DTS BR 3)
- 1360239 PROP, 15.75"X 22" CUP BR3 LH  
(T-350 MAG MPI SEACORE DTS BR 3)
- 1360247 PROP, 14.25"X 22" CUP BR3 RH  
(T-350 MAG MPI SEACORE DTS BR 3)
- 708214 PROP, 15.25"X 26" SS BR3 LH  
(T-6LPA-STZP W/BR3 (T-301 PHP) YANMAR S/D)
- 708222 PROP, 14"X 26" SS BR3 RH  
(T-6LPA-STZP W/BR3 (T-301 PHP) YANMAR S/D)
- 12 1051689 CONTROL, THRTL/SHFT W/SS HANDLES W/GOLD KNOBS  
(DIESEL ENGINES)
- 907063 KNOB, CONTROL GOLD SMOOTH  
(DIESEL ENGINE)  
(PART OF 1051689)
- 907097 KNOB, CONTROL GOLD GROOVED W/RED ID  
(DIESEL ENGINE)  
(PART OF 1051689)
- 1762415 BEZEL, DOME POLISHED SS FOR MRP#1051689  
(DIESEL ENGINE)  
(PART OF 1051689)
- 1073758 CONTROL, NEUTRAL SAFETY SWITCH  
(DIESEL ENGINES)

STEERING SYSTEM (CONTROLS) V-DRIVE



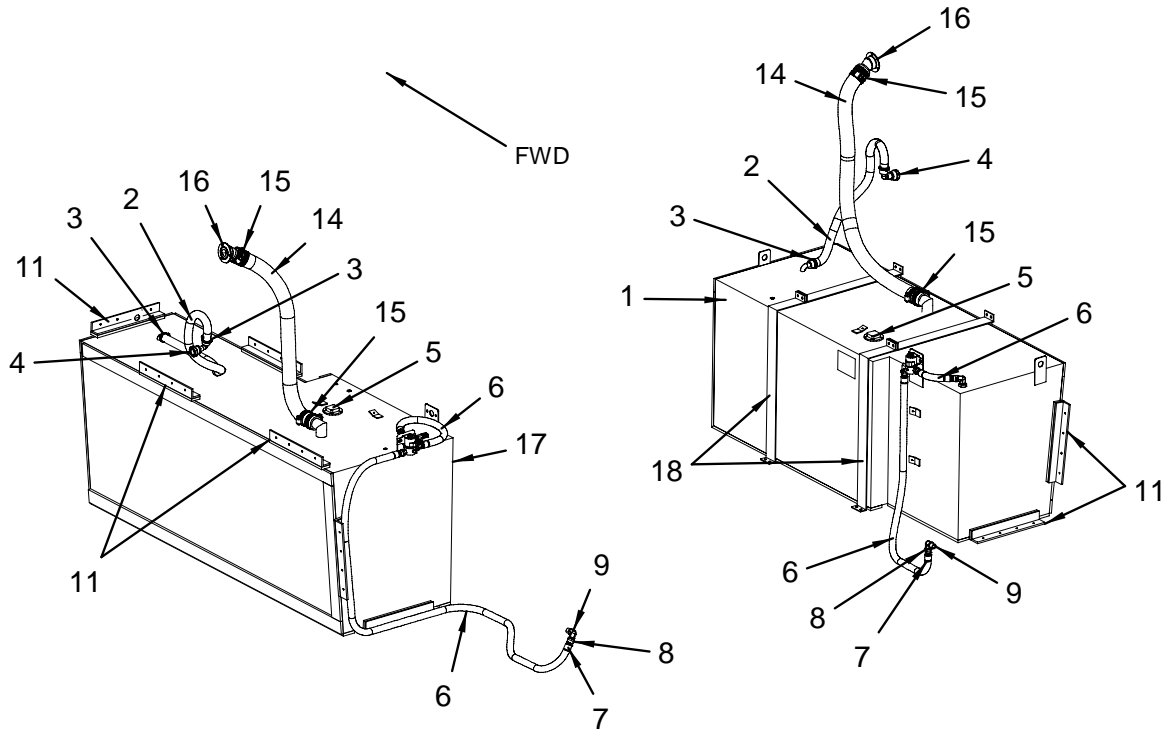
**STEERING SYSTEM (CONTROLS) V-DRIVE**

- 1 1883502 CONTROL, DTS TS/TS W/CAN TRACKPAD
- 1883473 BOARD, DTS DUAL ENG HELM COMP
- 2 1810006 STEERING WHEEL, 14.25" SPCRUIS SEARS W/BLK
- 758599 HUB KIT, STEERING WHEEL DINO 332  
(PART OF 1810006)
- 1792417 PAD, STEER WHL CTR FOR #1526292  
(PART OF 1810006)
- 1835885 STEERING WHEEL, CHR RING FOR 1810006  
(PART OF 1810006)
- 1747682 EMBLEM, S/R EMB SCRIPT WHEEL CHR-BEZEL 1.75"
- 3 317032 STEERING, HELM PUMP SEA STAR I TILT  
(V-DRIVE DTS ENGINES)
- 4 1762738 HOSE KIT, 320/340SDA-04 HYD .313ID 24'  
(V-DRIVE DTS ENGINES)
- 5 127068 STEERING, HYD CYLINDER BA135-7ATM I/B  
(V-DRIVE DTS ENGINES)
- 6 1646082 TIE BAR, RUDDER 32.00" V-DRIVE W/TAB  
(V-DRIVE DTS ENGINES)
- 7 1851050 PROP, 18"X 16"X 4.85"RH #4C "Z" 1.5" SHAFT  
(STARBOARD)
- 8 1771726 STEERING, PUMP SEA STAR PWR ASSIST 12V  
(STEERING- PWR ASSISTED HYDRAULIC V-DR ONLY)
- 1765809 STEERING HOSE, 5/16"X 16"W/FITTINGS (SEASTAR)  
(STEERING- PWR ASSISTED HYDRAULIC V-DR ONLY)
- 1776219 STEERING HOSE, 5/16"X 12"W/FITTINGS (SEASTAR)  
(STEERING- PWR ASSISTED HYDRAULIC V-DR ONLY)
- 1895423 CONTROL, DUAL IGN KIT  
(STEERING- PWR ASSISTED HYDRAULIC V-DR ONLY)

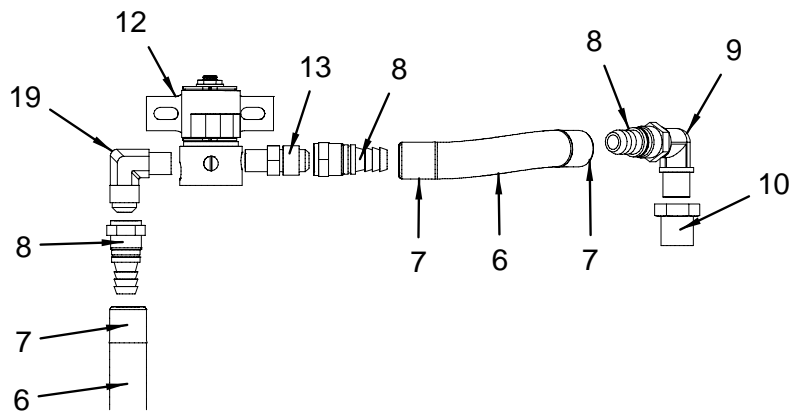
**#2 RAYTHEON PANEL**

- 7 1851049 PROP, 18"X 16.5"X 4.85"LH #4C "Z" 1.5" SHAFT  
(PORT)

FUEL SYSTEM (STERN DRIVE) GAS



FUEL PUMP DETAIL



**FUEL SYSTEM (STERN DRIVE) GAS**

- 1 1818823 TANK, FUEL 310DA-07 94GAL STB
- 2 123778 HOSE, FUEL 5/8" TYPE A CLASS 1 ISO/CE
- 3 256677 CLAMP, HOSE #12 1/2"-1.25" SS .505
- 4 1433176 VENT, FUEL/WATER SS 5/8" 90DEG FLSH MNT
- 5 1851166 SENDING UNIT, FUEL ELEC ISSPRO 22"  
(PART OF 1818823)
- 1851167 SENDING UNIT, FUEL ELEC ISSPRO 25"  
(PART OF 1818822)
- 6 1884012 HOSE, FUEL 1/2" TYPE A CLASS 1-15 ISO/CE/CARB
- 7 1887695 FERRULE, FUEL LINE 1/2" .850"ID X .90"OD
- 8 1887748 FITTING, BRASS BARB/NUT 1/2" FEMALE SAE
- 9 169748 ELBOW, BRASS 90DEG 1/2"SAE X 3/8"MPT
- 169623 ADAPTER, BRASS 3/8"MPT X 1/2"SAE  
(ENGINE PREP ONLY)
- 10 184077 BUSHING, SS THD 3/8"FPT X 1/2"MPT
- 11 836080 BRACKET, PVC 1.5"X 1.5"X 12" 1/4"HOLES
- 1497452 TAPE, FOAM NEOPRENE W/3M 9828 3/8"TH X 2"W
- 12 1791155 VALVE, BRASS FUEL SHUT-OFF 12V SER7000 10W
- 13 169920 ADAPTER, BRASS 1/4"MPT X 1/2"SAE
- 14 123745 HOSE, FUEL 1.5" TYPE A CLASS 2
- 15 256701 CLAMP, HOSE #28 1 5/16"-2.25"SS .505
- 16 1846459 DECK PLATE, GAS SS 1.5"30DEG RED CLR-CODE
- 1880328 CAP, SS DECK PLATE 1.5" 30DEG  
(PART OF 1846459)
- 1880329 KEY, SS CAP DECK PLATE 1.5" 30DEG  
(PART OF 1846459)
- 1068592 KEY, DECK PLATE CAP
- 17 1818822 TANK, FUEL 310DA-07 107GAL PRT
- 18 1833344 BRACKET, 310DA-07 FUEL TANK STRAP 2TOP/2SIDES
- 1497452 TAPE, FOAM NEOPRENE W/3M 9828 3/8"TH X 2"W
- 19 168955 ELBOW, BRASS 90DEG 1/4"MPT X 1/2"SAE

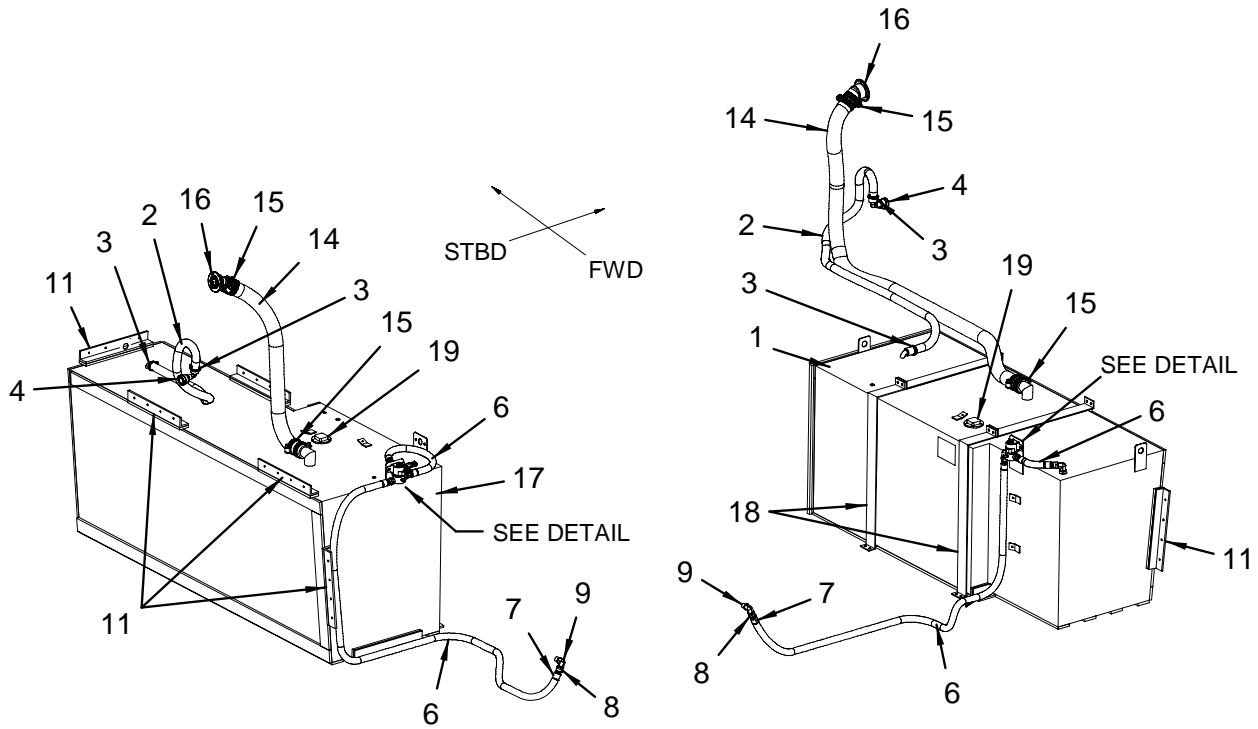
**LABELS**

- 1745158 LABEL, FUEL RECOMMENDATION/LP GAS WARNING
- 1745513 LABEL, WARNING LEAKING FUEL

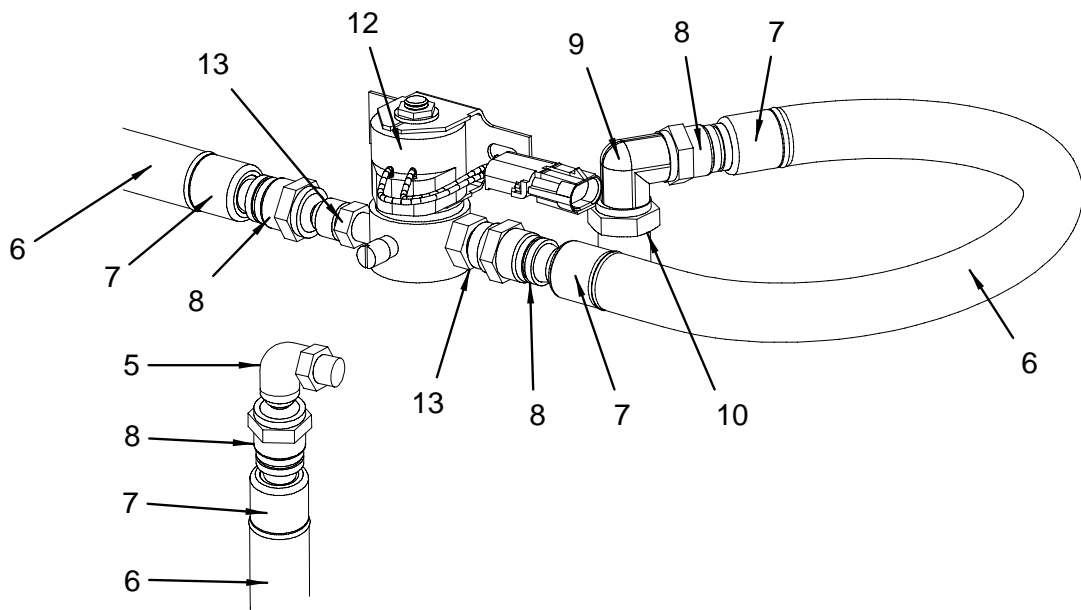
**NOT SHOWN**

- 123695 CLAMP, LOOM VINYL DIP #12 3/4"
- 123604 CLAMP, LOOM VINYL DIP 2.5"

FUEL SYSTEM (V-DRIVE) GAS



FUEL PUMP DETAIL

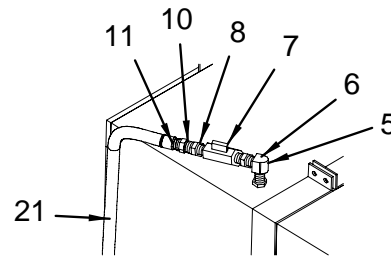
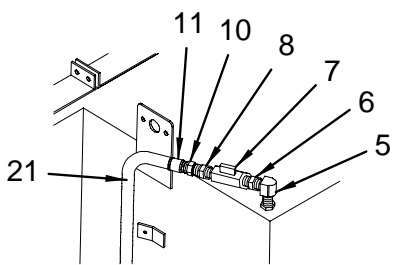
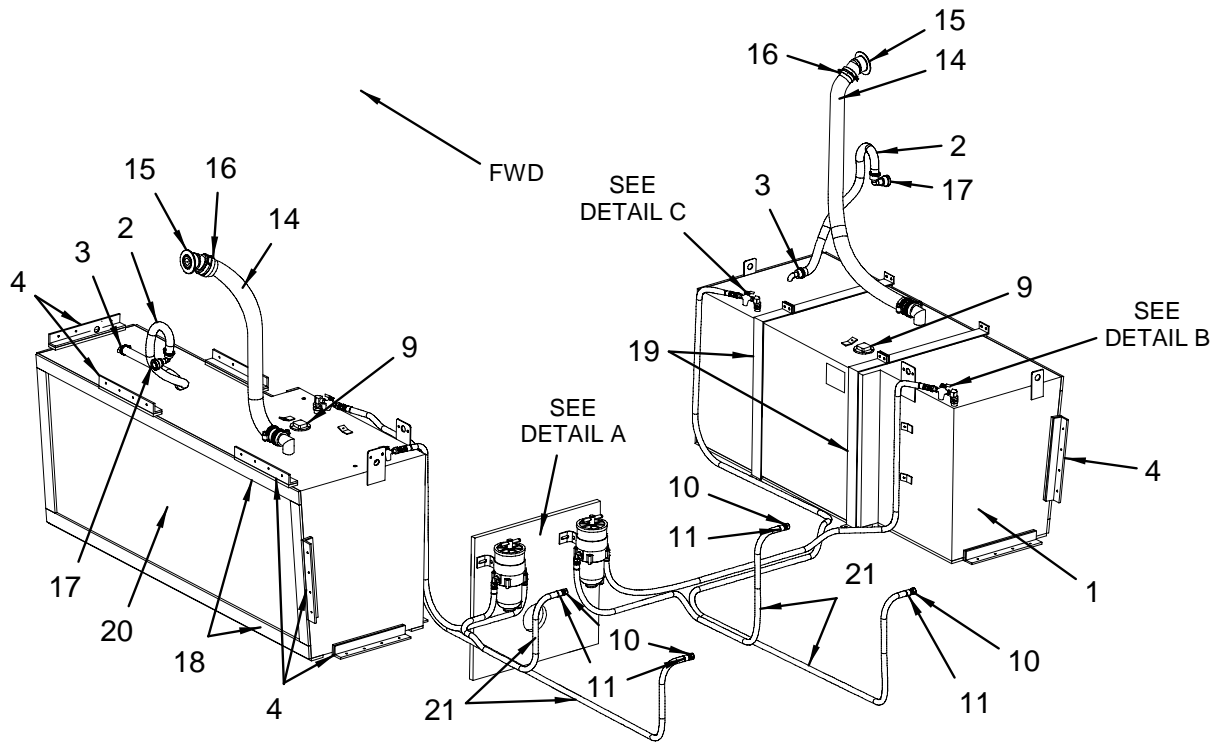




**FUEL SYSTEM (V-DRIVE) GAS**

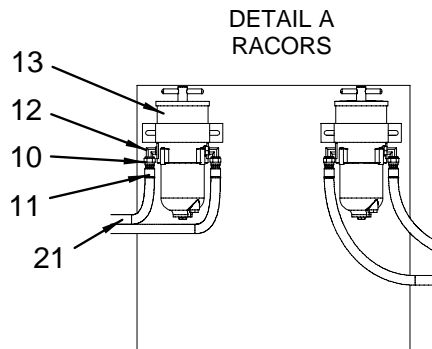
- 1 1818823 TANK, FUEL 310DA-07 94GAL STB
- 2 123778 HOSE, FUEL 5/8" TYPE A CLASS 1 ISO/CE
- 3 256677 CLAMP, HOSE #12 1/2"-1.25" SS .505
- 4 1433176 VENT, FUEL/WATER SS 5/8" 90DEG FLSH MNT
- 5 168955 ELBOW, BRASS 90DEG 1/4"MPT X 1/2"SAE
- 6 1884012 HOSE, FUEL 1/2" TYPE A CLASS 1-15 ISO/CE/CARB
- 7 1887695 FERRULE, FUEL LINE 1/2" .850"ID X .90"OD
- 8 1887748 FITTING, BRASS BARB/NUT 1/2" FEMALE SAE
- 9 169748 ELBOW, BRASS 90DEG 1/2"SAE X 3/8"MPT
- 10 184077 BUSHING, SS THD 3/8"FPT X 1/2"MPT
- 11 836080 BRACKET, PVC 1.5"X 1.5"X 12" 1/4"HOLES
- 1497452 TAPE, FOAM NEOPRENE W/3M 9828 3/8"TH X 2"W
- 12 1791155 VALVE, BRASS FUEL SHUT-OFF 12V SER7000 10W
- 13 169920 ADAPTER, BRASS 1/4"MPT X 1/2"SAE
- 14 123745 HOSE, FUEL 1.5" TYPE A CLASS 2
- 15 256701 CLAMP, HOSE #28 1 5/16"-2.25"SS .505
- 16 1846459 DECK PLATE, GAS SS 1.5"30DEG RED CLR-CODE
- 1880328 CAP, SS DECK PLATE 1.5" 30DEG  
(PART OF 1846459)
- 1880329 KEY, SS CAP DECK PLATE 1.5" 30DEG  
(PART OF 1846459)
- 1068592 KEY, DECK PLATE CAP
- 17 1818822 TANK, FUEL 310DA-07 107GAL PRT
- 18 1833344 BRACKET, 310DA-07 FUEL TANK STRAP 2TOP/2SIDES
- 1497452 TAPE, FOAM NEOPRENE W/3M 9828 3/8"TH X 2"W
- 19 1851167 SENDING UNIT, FUEL ELEC ISSPRO 25"  
(PART OF 1818822)
- 1851166 SENDING UNIT, FUEL ELEC ISSPRO 22"  
(PART OF 1818823)

FUEL SYSTEM (DIESEL)



DETAIL B  
PICKUP

DETAIL C  
RETURN



DETAIL A  
RACORS

**FUEL SYSTEM (DIESEL)**

1	1890304	TANK, FUEL 310DA-07 94GAL STB DSL
2	123778	HOSE, FUEL 5/8" TYPE A CLASS 1 ISO/CE
3	256677	CLAMP, HOSE #12 1/2"-1.25" SS .505
4	836080	BRACKET, PVC 1.5"X 1.5"X 12" 1/4"HOLES
	1497452	TAPE, FOAM NEOPRENE W/3M 9828 3/8"TH X 2"W
5	169086	ELBOW, BRASS 90DEG STREET 1/2"
6	185801	NIPPLE, SS 1/2"MPT X CLOSE HEX
7	1339597	VALVE, BRZ 1/2" BALL
8	169821	ADAPTER, BRASS 1/2"MPT X 1/2"SAE
9	1846974	SENDING UNIT, FUEL SENDER ULTSONC DSL 25.5"
	1880106	SENDING UNIT, FUEL SENDER ULTSONC DSL 22.5"
10	1887748	FITTING, BRASS BARB/NUT 1/2" FEMALE SAE
11	1887695	FERRULE, FUEL LINE 1/2" .850"ID X .90"OD
12	169748	ELBOW, BRASS 90DEG 1/2"SAE X 3/8"MPT
13	1524065	FILTER, REMOTE FUEL DSL (500MASR)
14	123752	HOSE, FUEL 2" TYPE A CLASS 2
15	1846463	DECK PLATE, DSL SS 2"30DEG GRN CLR-CODE
	1880329	KEY, SS CAP DECK PLATE 1.5" 30DEG (PART OF 1846463)
	1880330	CAP, SS DECK PLATE DSL 2" 30DEG (PART OF 1846463)
16	256701	CLAMP, HOSE #28 1 5/16"-2.25"SS .505
17	1433176	VENT, FUEL/WATER SS 5/8" 90DEG FLSH MNT
18	1497452	TAPE, FOAM NEOPRENE W/3M 9828 3/8"TH X 2"W
19	1833344	BRACKET, 310DA-07 FUEL TANK STRAP 2TOP/2SIDES
	1497452	TAPE, FOAM NEOPRENE W/3M 9828 3/8"TH X 2"W
20	1890305	TANK, FUEL 310DA-07 107GAL PRT DSL
21	1884012	HOSE, FUEL 1/2" TYPE A CLASS 1-15 ISO/CE/CARB

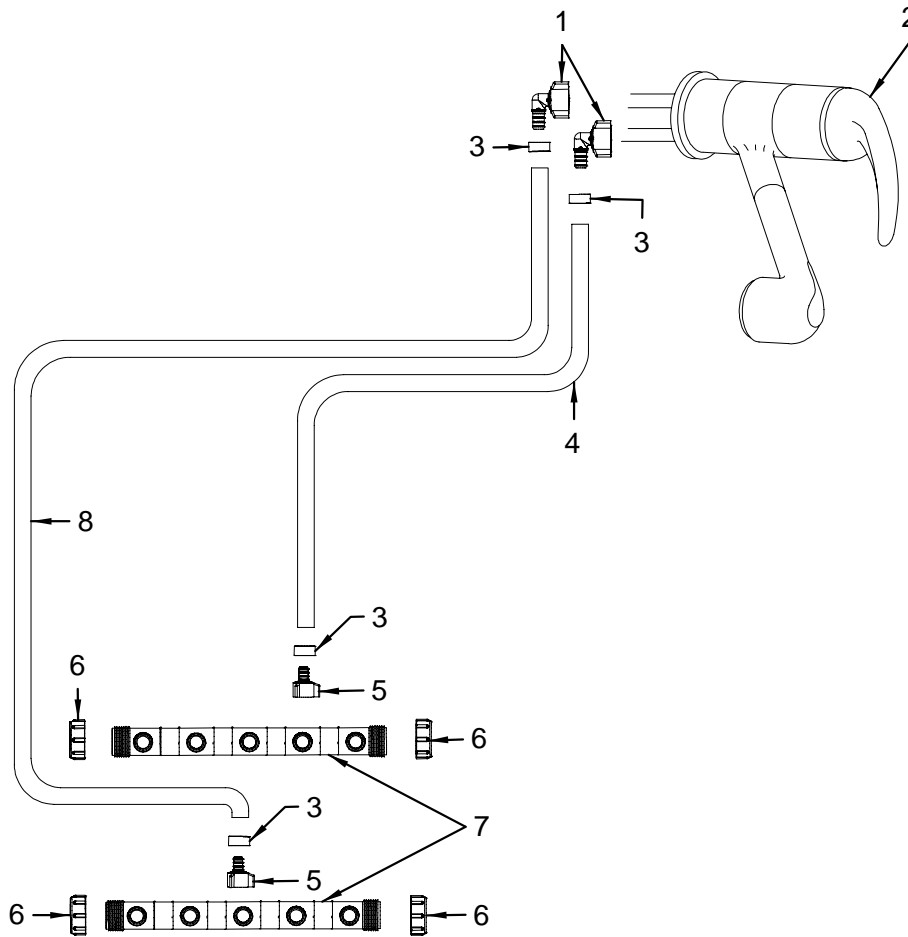
**LABELS**

1744735	LABEL, FUEL SHUT-OFF (LEXAN)
---------	------------------------------

**NOT SHOWN**

123612	CLAMP, LOOM VINYL DIP 11/16"
169524	ADAPTER, BRASS 3/8"MPT X 3/8"SAE
1806759	VALVE, BRASS 1/2"MPT X 1/2"MPT CHECK
1816146	ADAPTER, BRASS 1/2"FPT X 1/2"MSAE
1425156	NIPPLE, SEAFLEX BRS 1/2"MPT LONG

**WATER SYSTEM (GALLEY)**

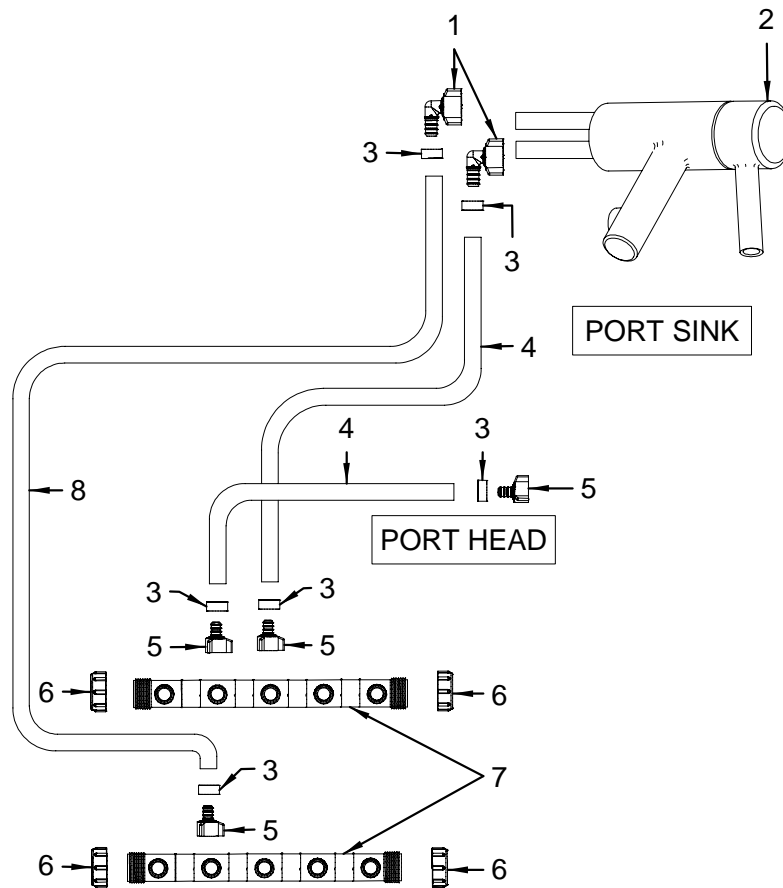


**WATER SYSTEM (GALLEY)**

- 1 1789708 ELBOW, ZURN 1/2" SWIVEL
- 2 1895055 FAUCET, GLY SNGL LVR 7.2"RISE BR/NI PULLOUT (HULL# 1207 -> UP)
- 1908583 VALVE, HEAD/GLY FAUCET F/97800 & 97810 (PART OF 1895055)
- 1908584 SHOWER ASSY, SS SPRAYER HOSE F/97800 & 97810 (PART OF 1895055)
- 1908585 FAUCET, HDWR MNTG KIT F/1895055 & 1895059 (PART OF 1895055)
- 1908586 FAUCET, SS HOT/COLD RISER (PART OF 1895055)
- 1908587 FAUCET, LEVER HNDL ALAN SCREW (PART OF 1895055)
- 1908588 FAUCET, RED/BLUE DOT (PART OF 1895055)
- 1908589 FAUCET, LEVER MIXER HNDL (PART OF 1895055)
- 1908590 FAUCET, HOSE/SPRAY HEAD GASKET (PART OF 1895055)
- 1908591 FAUCET, HOSE WEIGHT F/97800/97810/98656 (PART OF 1895055)
- 1908594 FAUCET, SPRAY HEAD ONLY F/97810 (PART OF 1895055)
- 1772522 FAUCET, GLY 7"RISE BRUSHED NCKL/CHR (HULL# 1201 -> 1206)
- 1807537 FAUCET, GLY 7"RISE HANDLE CAP BRSHD NCKL/CHR (PART OF 1772522)

- 2 1807538 FAUCET, GLY 7"RISE HNDL SCREW BRSHD NCKL/CHR (PART OF 1772522)
- 1807539 FAUCET, GLY 7"RISE HNDL WASHER BRSHD NCKL/CHR (PART OF 1772522)
- 1807540 FAUCET, GLY 7"RISE HNDL RING BRSHD NCKL/CHR (PART OF 1772522)
- 1807541 FAUCET, GLY 7"RISE HANDLE BRSHD NCKL/CHR (PART OF 1772522)
- 1807542 VALVE, FAUCET GLY 7"RISE CLD SIDE (PART OF 1772522)
- 1807543 FAUCET, GLY 7"RISE SPOUT BRSHD NCKL/CHR (PART OF 1772522)
- 1807544 FAUCET, GLY 7"RISE AERATOR BRSHD NCKL/CHR (PART OF 1772522)
- 1807545 FAUCET, GLY 7"RISE MOUNTING BRSHD NCKL/CHR (PART OF 1772522)
- 3 1789718 CLAMP, CRIMP RING ZURN 1/2"
- 4 1789735 TUBING, ZURN 1/2"X 1000' BLUE
- 5 1789686 ADAPTER, ZURN STRAIGHT 1/2" SWIVEL
- 6 1802624 FITTING, ZURN BRASS 1"MNFLD END STOP
- 7 1792205 MANIFOLD, ZURN SNGL SIDE W/5 PRT
- 1802628 BRACKET, PLAS ZURN SNGL MANIFOLD MNT
- 8 1789751 TUBING, ZURN 1/2"X 1000' RED

**WATER SYSTEM (PORT HEAD)**

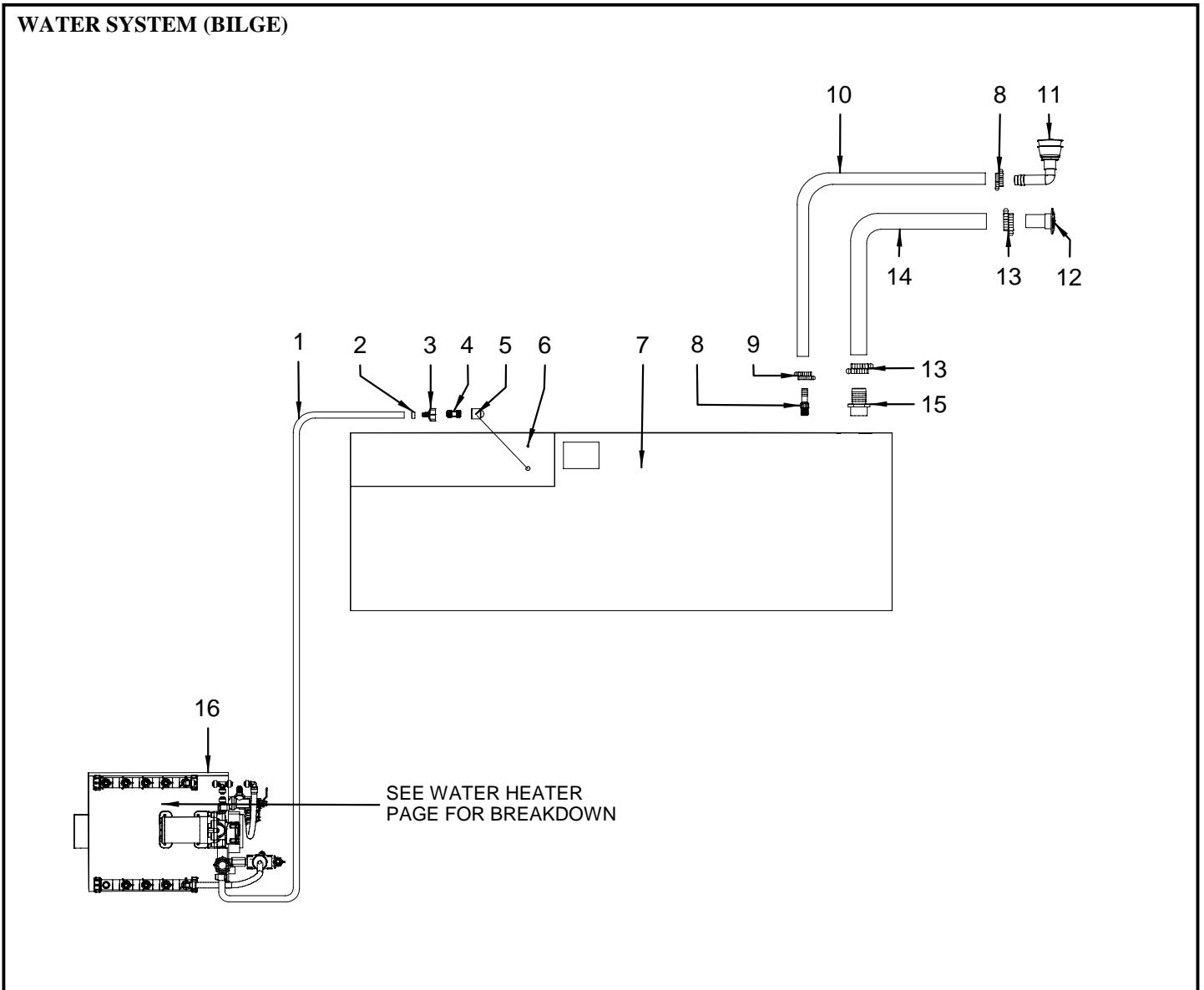


**WATER SYSTEM (PORT HEAD)**

- 1 1789708 ELBOW, ZURN 1/2" SWIVEL
- 2 1895059 FAUCET, HEAD SNGL LVR 6.2"RISE BR/NI PULLOUT (HULL# 1207 -> UP)
- 1908583 VALVE, HEAD/GLY FAUCET F/97800 & 97810 (PART OF 1895059)
- 1908584 SHOWER ASSY, SS SPRAYER HOSE F/97800 & 97810 (PART OF 1895059)
- 1908585 FAUCET, HDWR MNTG KIT F/1895055 & 1895059 (PART OF 1895059)
- 1908586 FAUCET, SS HOT/COLD RISER (PART OF 1895059)
- 1908587 FAUCET, LEVER HNDL ALAN SCREW (PART OF 1895059)
- 1908588 FAUCET, RED/BLUE DOT (PART OF 1895059)
- 1908589 FAUCET, LEVER MIXER HNDL (PART OF 1895059)
- 1908590 FAUCET, HOSE/SPRAY HEAD GASKET (PART OF 1895059)
- 1908591 FAUCET, HOSE WEIGHT F/97800/97810/98656 (PART OF 1895059)
- 1908592 FAUCET, SPRAY HEAD ONLY F/97800 (PART OF 1895059)
- 1908593 FAUCET, WALL SPRAYER HOLDER (PART OF 1895059)
- 1772520 FAUCET/SHOWER, BRUSHED NCKL/CHR PULLOUT (HULL# 1201 -> 1206)

- 2 1853913 FAUCET/SHOWER, SPRAYER ONLY BRSHD NCKL/CHR (PART OF 1772520)
- 1853914 FAUCET/SHOWER, HOSE WASHER ONLY (PART OF 1772520)
- 1853915 FAUCET/SHOWER, HANGER ONLY (PART OF 1772520)
- 1853916 FAUCET/SHOWER, BRASS HOT/COLD VALVE ONLY (PART OF 1772520)
- 1853917 FAUCET/SHOWER, HDWR KIT WWTS (PART OF 1772520)
- 3 1789718 CLAMP, CRIMP RING ZURN 1/2"
- 4 1789735 TUBING, ZURN 1/2"X 1000' BLUE
- 5 1789686 ADAPTER, ZURN STRAIGHT 1/2" SWIVEL
- 6 1802624 FITTING, ZURN BRASS 1"MNFLD END STOP
- 7 1792205 MANIFOLD, ZURN SNGL SIDE W/5 PRT
- 1802628 BRACKET, PLAS ZURN SNGL MANIFOLD MNT
- 8 1789751 TUBING, ZURN 1/2"X 1000' RED

**WATER SYSTEM (BILGE)**



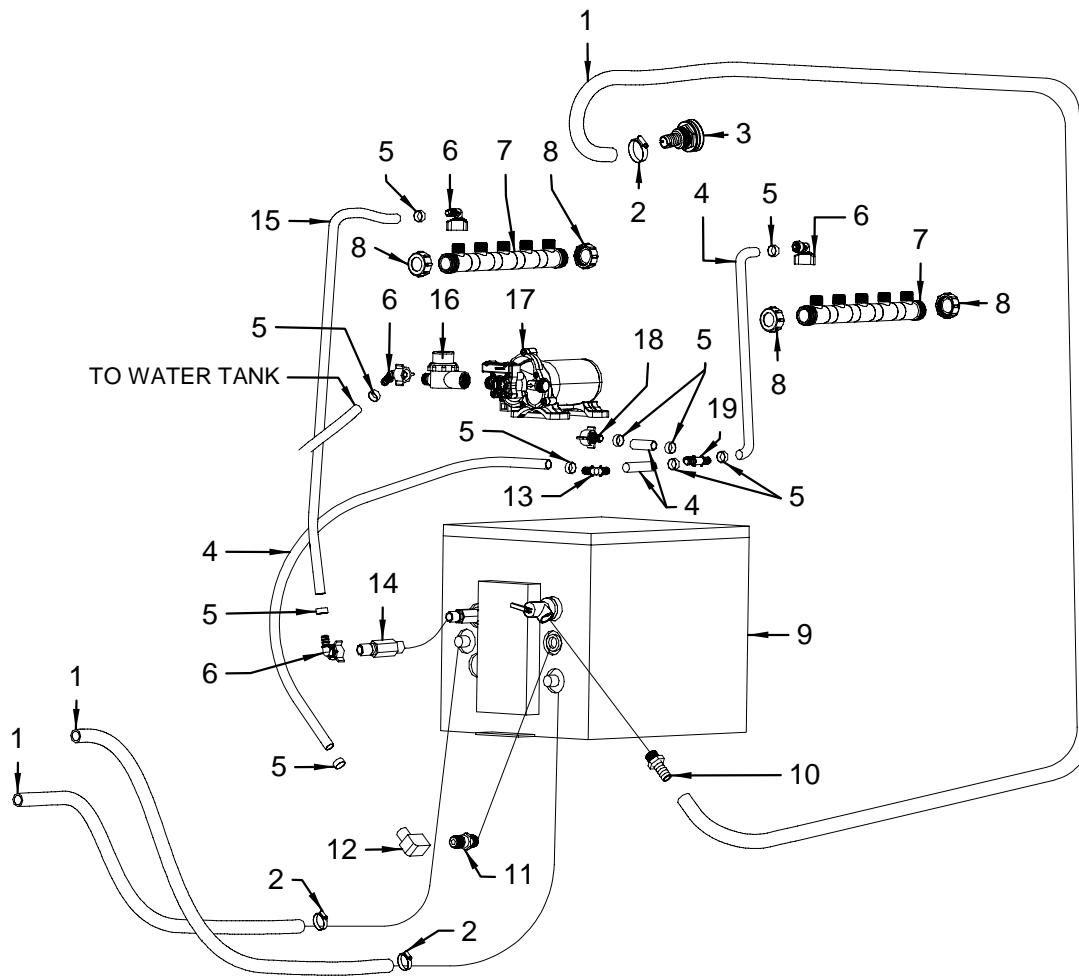
SEE WATER HEATER  
PAGE FOR BREAKDOWN

**WATER SYSTEM (BILGE)**

- 1 1789735 TUBING, ZURN 1/2"X 1000' BLUE
- 2 1789718 CLAMP, CRIMP RING ZURN 1/2"
- 3 1789686 ADAPTER, ZURN STRAIGHT 1/2" SWIVEL
- 4 1789748 NIPPLE, ZURN 1/2" CLOSE GRY
- 5 1127935 TUBE, PICK-UP WATER 8" 330DA 98  
(PART OF 1839593)
- 6 1127927 SENDING UNIT, WATER 330DA-98 8"  
(PART OF 1839593)
- 7 1839593 TANK, WATER 35GAL 61"X20"X9 7/16"W/SNDR/PCKUP  
1497460 TAPE, FOAM NEOPRENE W/3M 9828 1/4"TH X 2"W
- 8 1577709 ADAPTER, PVC 1/2"MPT X 5/8"BARB
- 9 256677 CLAMP, HOSE #12 1/2"-1.25" SS .505
- 10 124719 HOSE, SANI/CHEMICAL TDX 5/8"
- 11 1433176 VENT, FUEL/WATER SS 5/8" 90DEG FLSH MNT
- 12 1848574 DECK PLATE, WATER SS 1.5"STRGHT BLUE CLR-CODE  
1880328 CAP, SS DECK PLATE 1.5" 30DEG  
(PART OF 1848574)
- 1880329 KEY, SS CAP DECK PLATE 1.5" 30DEG  
(PART OF 1848574)
- 13 256693 CLAMP, HOSE #24 1"-2" SS .505
- 14 490219 HOSE, CORR SAN/WATER-FILL 1.5" RH
- 15 814814 ADAPTER, PVC 1.5"MPT X 1.5"BARB MACHINED
- 16 1142496 HEATER, WATER 6 GAL 110/60 W/75-210T&P  
1790450 ELEMENT, HEATER WTR 110/60 W/75-210  
(PART OF 1142496)
- 1156728 HEATER, WATER 6 GAL 220/50 W/75-210T&P  
(220 VOLT / 50 CYCLE ELECTRICAL SYSTEM)

- 16 1754598 HEATER, WATER ELEMENT FOR 6 GAL 220V  
(PART OF 1156728)
- 1146877 VALVE, TEMPERING 75PSI/210DEG  
(PART OF 1142496 & 1156728)

**WATER SYSTEM (WATER HEATER)**



**WATER SYSTEM (WATER HEATER)**

- 1 124594 HOSE, WATER 5/8" HVY DTY (HEATER)
- 2 256677 CLAMP, HOSE #12 1/2"-1.25" SS .505
- 3 1778933 THRU-HULL, SS 5/8" BARB SHORT
- 4 1789735 TUBING, ZURN 1/2" X 1000' BLUE
- 5 1789718 CLAMP, CRIMP RING ZURN 1/2"
- 6 1789708 ELBOW, ZURN 1/2" SWIVEL
- 7 1792205 MANIFOLD, ZURN SNGL SIDE W/5 PRT  
1802628 BRACKET, PLAS ZURN SNGL MANIFOLD MNT
- 8 1802624 FITTING, ZURN BRASS 1" MNFLD END STOP
- 9 1142496 HEATER, WATER 6 GAL 110/60 W/75-210T&P  
1790450 ELEMENT, HEATER WTR 110/60 W/75-210  
(PART OF 1142496)
- 1156728 HEATER, WATER 6 GAL 220/50 W/75-210T&P  
(220 VOLT / 50 CYCLE ELECTRICAL SYSTEM)
- 1754598 HEATER, WATER ELEMENT FOR 6 GAL 220V  
(PART OF 1156728)
- 1146877 VALVE, TEMPERING 75PSI/210DEG  
(PART OF 1142496 & 1156728)
- 10 144675 ADAPTER, BRASS 1/2" MPT X 5/8" BARB
- 11 1791673 VALVE, ZURN 1/2" MPT X 1/2" MPT CHECKVALVE
- 12 169086 ELBOW, BRASS 90DEG STREET 1/2"
- 13 1789703 ELBOW, ZURN 1/2" BARB
- 14 168898 NIPPLE, BRASS 1/2" MPT X 3.5"
- 15 1789751 TUBING, ZURN 1/2" X 1000' RED
- 16 1797944 FILTER, IN-LINE WATER 1/2" MPT X 1/2" NPSF
- 17 1904324 PUMP, FRSH WTR 4.0GPM 12V AQUAKING PREM W/CON  
(HULL# 1320 -> UP)

- 17 1830714 PUMP, FRESH WATER SHURFLO 3.3GPM IMP W/CONN  
(HULL# 1201 -> 1319)
- 18 1789686 ADAPTER, ZURN STRAIGHT 1/2" SWIVEL
- 19 1789706 TEE, ZURN 1/2" BARB

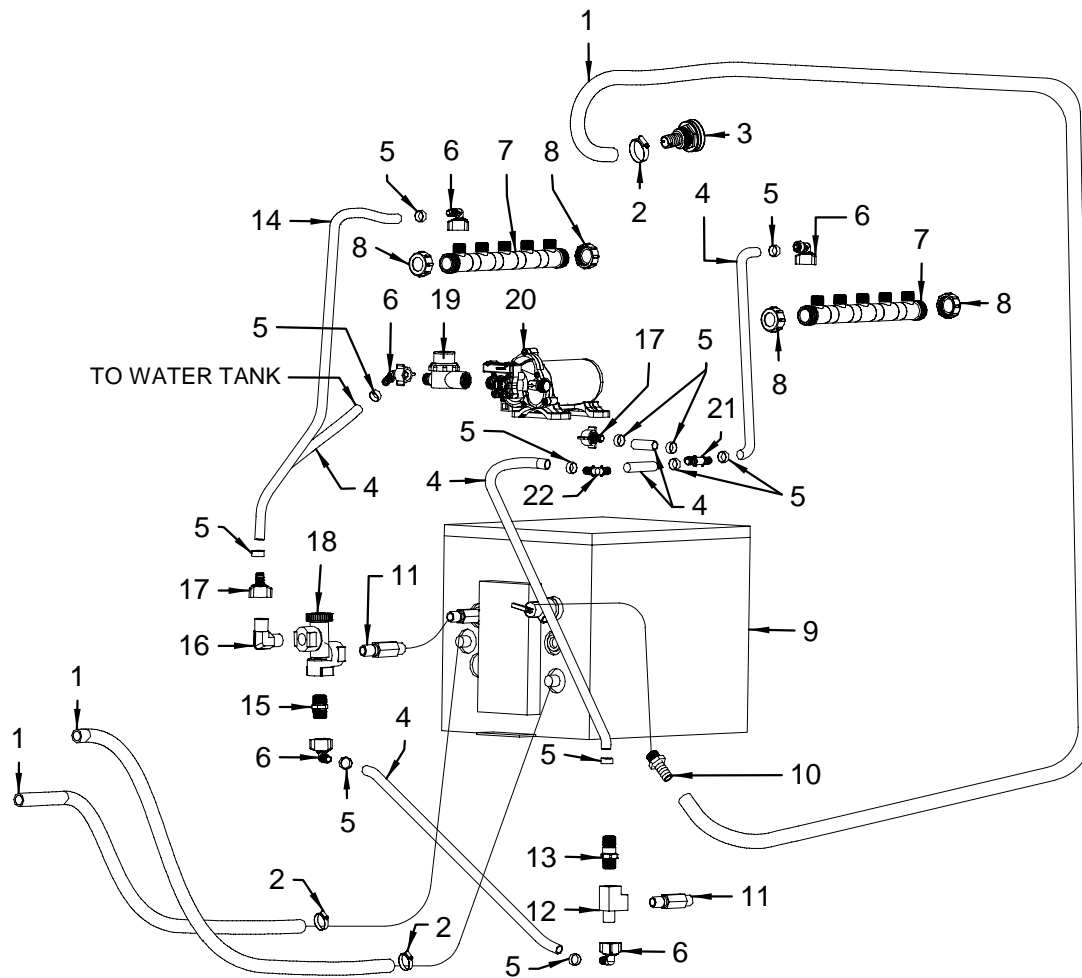
**LABELS**

- 1809840 LABEL, MANIFOLD HOT/COLD ZURN 64QKIPSP

**NOT SHOWN**

- 1744830 ADAPTER, STRT RED BRSS 3/4" MPT X 5/8" BARB
- 1802637 CAP, ZURN 1/2" MANIFOLD

**WATER HEATER (CLOSED COOLING SYSTEM)**



**WATER HEATER (CLOSED COOLING SYSTEM)**

- 1 124594 HOSE, WATER 5/8" HVY DTY (HEATER)
- 2 256677 CLAMP, HOSE #12 1/2"-1.25" SS .505
- 3 1778933 THRU-HULL, SS 5/8" BARB SHORT
- 4 1789735 TUBING, ZURN 1/2" X 1000' BLUE
- 5 1789718 CLAMP, CRIMP RING ZURN 1/2"
- 6 1789708 ELBOW, ZURN 1/2" SWIVEL
- 7 1792205 MANIFOLD, ZURN SNGL SIDE W/5 PRT  
1802628 BRACKET, PLAS ZURN SNGL MANIFOLD MNT
- 8 1802624 FITTING, ZURN BRASS 1" MNFLD END STOP
- 9 1142496 HEATER, WATER 6 GAL 110/60 W/75-210T&P  
1790450 ELEMENT, HEATER WTR 110/60 W/75-210  
(PART OF 1142496)
- 1156728 HEATER, WATER 6 GAL 220/50 W/75-210T&P  
(220 VOLT / 50 CYCLE ELECTRICAL SYSTEM)
- 1754598 HEATER, WATER ELEMENT FOR 6 GAL 220V  
(PART OF 1156728)
- 1146877 VALVE, TEMPERING 75PSI/210DEG  
(PART OF 1142496 & 1156728)
- 10 144675 ADAPTER, BRASS 1/2" MPT X 5/8" BARB
- 11 168898 NIPPLE, BRASS 1/2" MPT X 3.5"
- 12 325944 TEE, BRASS STREET 1/2" MPT X 1/2" FPT X 1/2" FPT
- 13 1791673 VALVE, ZURN 1/2" MPT X 1/2" MPT CHECKVALVE
- 14 1789751 TUBING, ZURN 1/2" X 1000' RED
- 15 1791378 NIPPLE, ZURN 1/2" BRASS HEX
- 16 1376037 ELBOW, BRASS 90DEG 1/2" MPT X 1/2" MPT
- 17 1789686 ADAPTER, ZURN STRAIGHT 1/2" SWIVEL

- 18 1054766 VALVE, BRASS WATER HEATER TEMPERING 120-160DG
- 19 1797944 FILTER, IN-LINE WATER 1/2" MPSM X 1/2" NPSF
- 20 1904324 PUMP, FRSH WTR 4.0GPM 12V AQUAKING PREM W/CON  
(HULL# 1320 -> UP)  
1830714 PUMP, FRESH WATER SHURFLO 3.3GPM IMP W/CONN  
(HULL# 1201 -> 1319)
- 21 1789706 TEE, ZURN 1/2" BARB
- 22 1789703 ELBOW, ZURN 1/2" BARB

**LABELS**

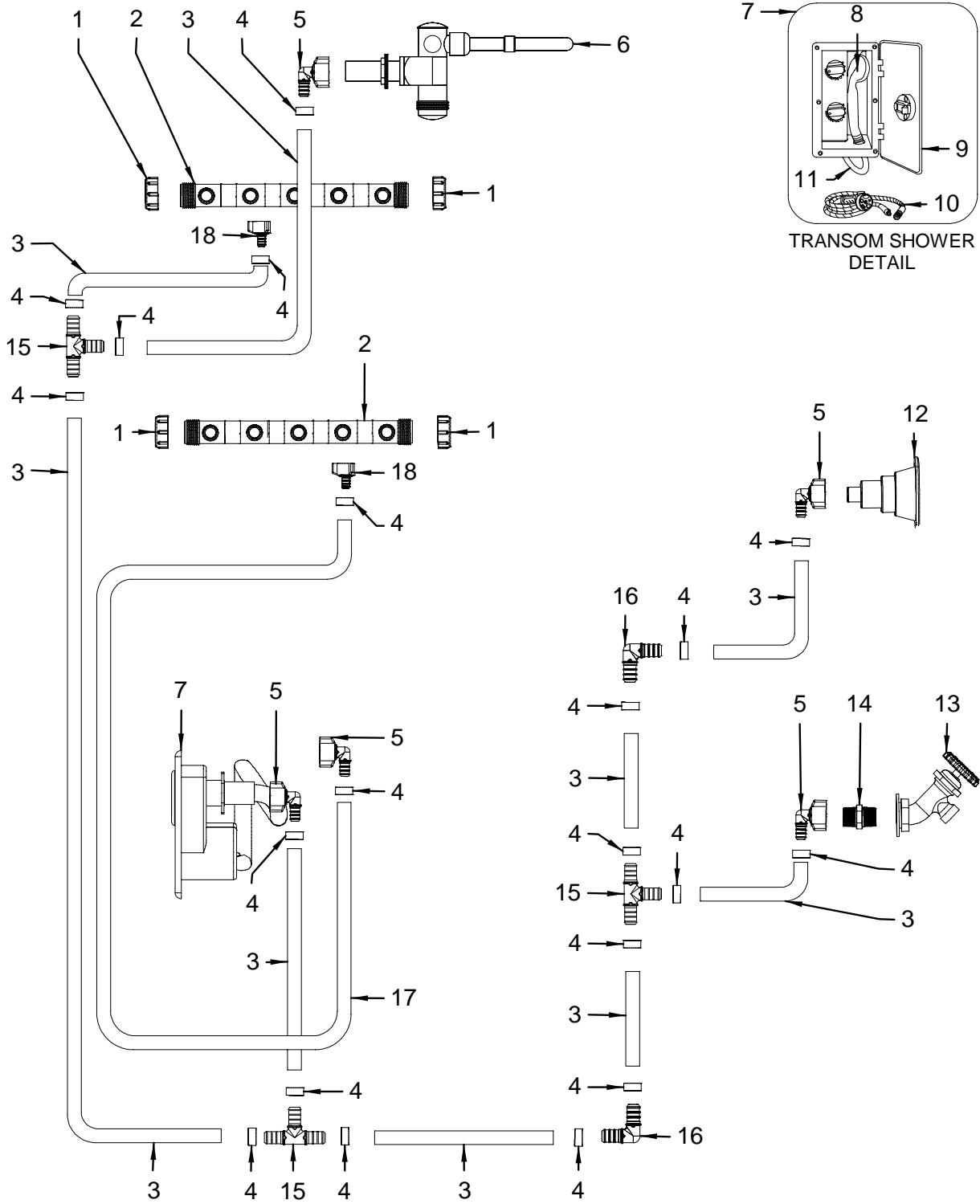
- 1809840 LABEL, MANIFOLD HOT/COLD ZURN 64QKIPSP

**NOT SHOWN**

- 1744830 ADAPTER, STRT RED BRSS 3/4" MPT X 5/8" BARB
- 1802637 CAP, ZURN 1/2" MANIFOLD



WATER SYSTEM (COCKPIT)



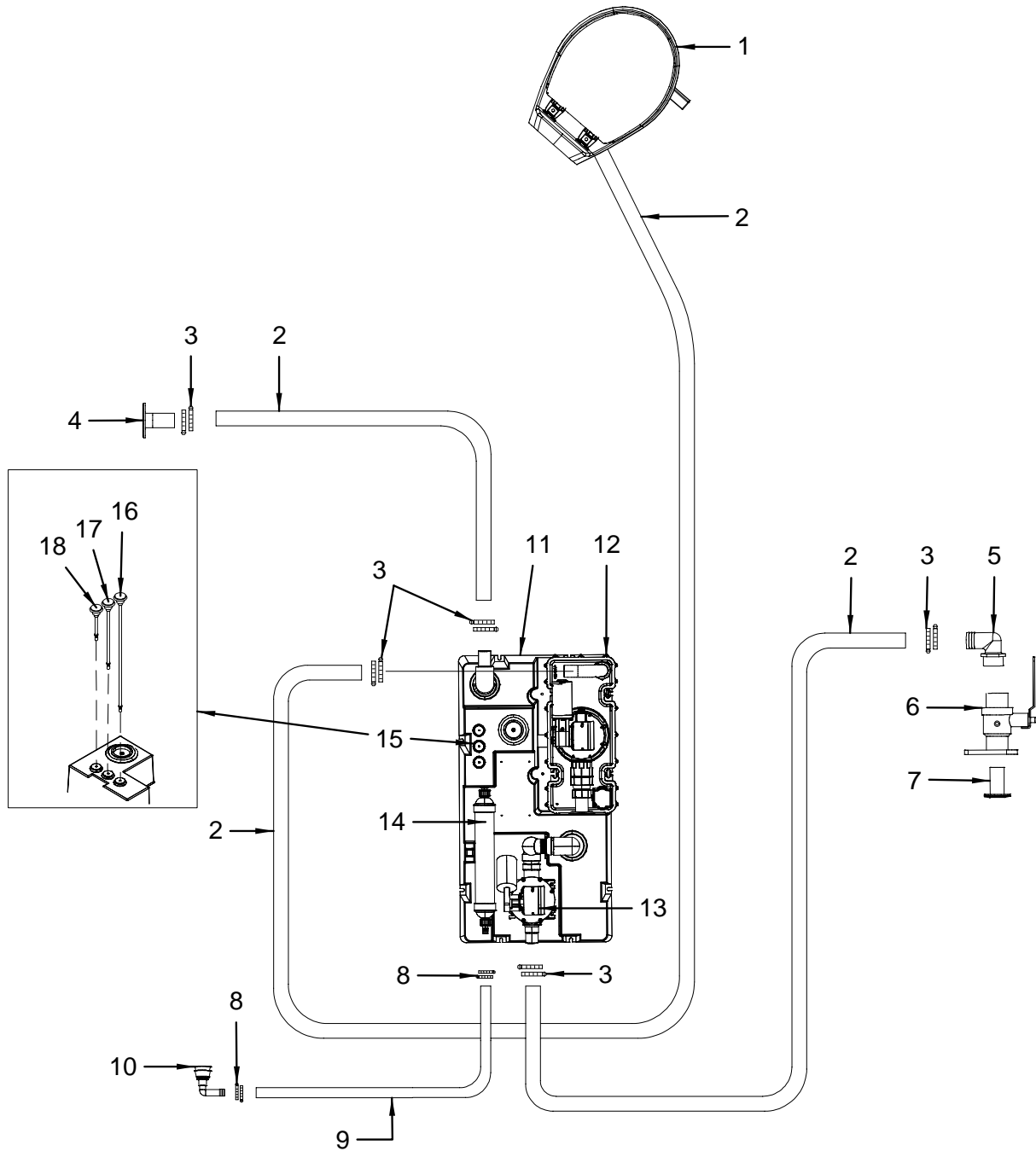
**WATER SYSTEM (COCKPIT)**

- 1 1802624 FITTING, ZURN BRASS 1"MNFLD END STOP
- 2 1792205 MANIFOLD, ZURN SNGL SIDE W/5 PRT
- 1802628 BRACKET, PLAS ZURN SNGL MANIFOLD MNT
- 3 1789735 TUBING, ZURN 1/2"X 1000' BLUE
- 4 1789718 CLAMP, CRIMP RING ZURN 1/2"
- 5 1789708 ELBOW, ZURN 1/2" SWIVEL
- 6 1775010 FAUCET, FOLD DOWN SGL TAP CHR
- 7 736702 FAUCET, WASHDOWN BOX W/MIXER (AQUATIK) VERT
- 1298710 FAUCET, CARTRIDGE CERAMIC 90DEG LH  
(PART OF 736702)
- 1302504 FAUCET, CARTRIDGE CERAMIC 90DEG RH  
(PART OF 736702)
- 8 1302603 FAUCET, WASHDOWN SPRAYER HEAD ONLY(AQUATIK)  
(PART OF 736702)
- 1848792 FAUCET, WASHDOWN RUBBER SHOWERHEAD HLDR  
(PART OF 736702)
- 9 1302587 FAUCET, WASHDOWN DOOR ONLY (AQUATIK)  
(PART OF 736702)
- 1742646 LATCH, WASHDOWN DOOR (AQUATIK)  
(PART OF 736702)
- 10 1302579 FAUCET, WASHDOWN SHOWER UNIT ONLY (AQUATIK)  
(PART OF 736702)
- 11 1302595 FAUCET, WASHDOWN HOSE W/FPT ONLY(AQUATIK)  
(PART OF 736702)
- 12 141168 INLET, WATER W/PRESS REGULATOR WHT
- 13 1096262 FAUCET, SILLCOCK WASHDOWN (WHITECAP)
- 14 1791378 NIPPLE, ZURN 1/2" BRASS HEX
- 15 1789706 TEE, ZURN 1/2" BARB
- 16 1789703 ELBOW, ZURN 1/2" BARB
- 17 1789751 TUBING, ZURN 1/2"X 1000' RED
- 18 1789686 ADAPTER, ZURN STRAIGHT 1/2" SWIVEL

**LABELS**

- 1743534 LABEL, FRESH WATER (LEXAN)

SEWAGE SYSTEM



**SEWAGE SYSTEM**

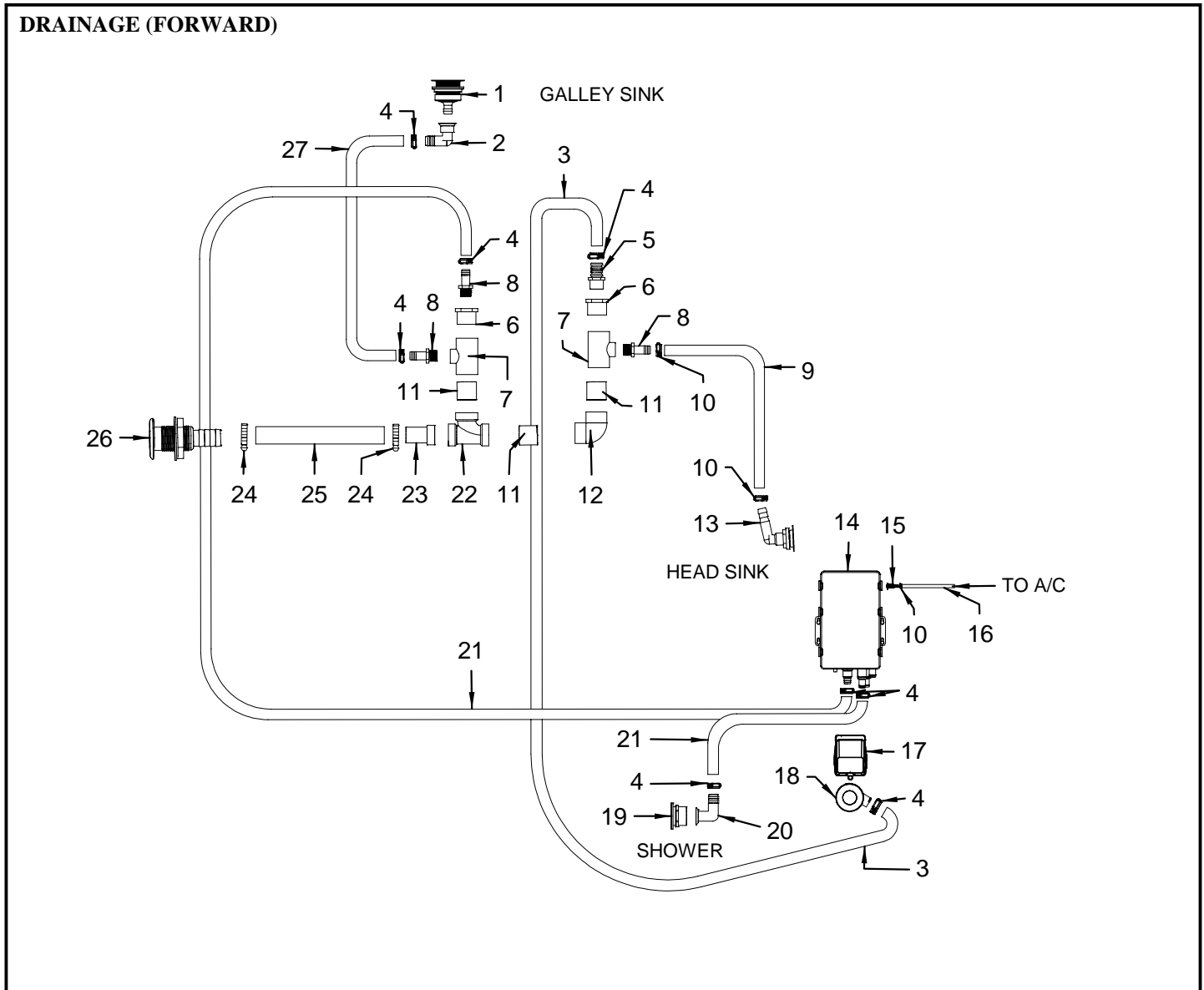
- 1 1846853 HEAD, VACU-FLUSH BONE 5006 BTM DCHG LOW PRFLE
- 1872707 HEAD, SEAT ASSY VAC-FLUSH BONE 5048 BACK DIS  
(PART OF 1846853)
- 2 846899 HOSE, SANI 1.5" PREMIUM RBR BLK
- 3 256693 CLAMP, HOSE #24 1"-2" SS .505
- 4 1846460 DECK PLATE, WASTE SS 1.5"30DEG BLK CLR-CODE
- 1880328 CAP, SS DECK PLATE 1.5" 30DEG  
(PART OF 1846460)
- 1880329 KEY, SS CAP DECK PLATE 1.5" 30DEG  
(PART OF 1846460)
- 5 531566 ELBOW, BRZ 90DEG 1.5"MPT X 1.5"BARB  
(MACERATOR W/ SEACOCK INTERLOCK SYSTEM)  
(VACUUM FLUSH HEAD W/ DIRECT OVER BOARD INTL)
- 6 518456 SEACOCK, BRZ 1.5" W/O TAILPIECE  
(MACERATOR W/ SEACOCK INTERLOCK SYSTEM)  
(VACUUM FLUSH HEAD W/ DIRECT OVER BOARD INTL)
- 1302116 SWITCH, SEACOCK INTERLOCK W/60" LEADS/CONN  
(MACERATOR W/ SEACOCK INTERLOCK SYSTEM)  
(VACUUM FLUSH HEAD W/ DIRECT OVER BOARD INTL)
- 7 579870 THRU-HULL, BRZ 1.5" W/O NUT  
(MACERATOR W/ SEACOCK INTERLOCK SYSTEM)  
(VACUUM FLUSH HEAD W/ DIRECT OVER BOARD INTL)
- 8 256677 CLAMP, HOSE #12 1/2"-1.25" SS .505
- 9 124719 HOSE, SANI/CHEMICAL TDX 5/8"
- 10 1433176 VENT, FUEL/WATER SS 5/8" 90DEG FLSH MNT
- 11 1761960 TANK, HOLDING 28 GAL HTS W/VAC GEN W/CONN
- 1760159 TANK, HOLDING 28 GAL HTS W/VAC GEN/12V T-PMP  
(MACERATOR W/ SEACOCK INTERLOCK SYSTEM)
- 12 1788792 VACUUM GEN, 12VDC DOMETIC  
(PART OF 1761960 & 1760159)
- 13 1788793 PUMP, HEAD SYS MACERATOR 12VDC DOMETIC  
(PART OF 1760159)  
(MACERATOR W/ SEACOCK INTERLOCK SYSTEM)
- 14 1788791 FILTER, HEAD TREATMENT SYSTEM DOMETIC  
(PART OF 1761960 & 1760159)
- 15 1835677 SENDING UNIT, HOLD TANK 28 GAL HTS W/VAC GEN  
(PART OF 1761960 & 1760159)  
(MACERATOR W/ SEACOCK INTERLOCK SYSTEM)
- 16 1852581 SENDING UNIT, HOLD TANK EMPTY LEVEL INDICATOR  
(PART OF 1835677)
- 17 1852580 SENDING UNIT, HOLD TANK MID LEVEL INDICATOR  
(PART OF 1835677)
- 18 1852579 SENDING UNIT, HOLD TANK FULL LEVEL INDICATOR  
(PART OF 1835677)

**LABELS**

- 1745156 LABEL, NOTICE OVERBOARD DISCHARGE (LEXAN)
- 1745517 LABEL, 1/2"X 1.5" DISCHARGE

**NOT SHOWN**

- 1413616 TANK, HOLDING NEW OWNERS GIFT PACK
- 1798723 VACUUM GEN, HEAD SYS PMP/ACUM LOPRO 12V W/CON  
(VACUUM FLUSH HEAD W/ DIRECT OVER BOARD INTL)



**DRAINAGE (FORWARD)**

- 1 175687 DRAIN, SINK STRAINER 2.5" SS W/5/8" BARB
- 1839033 DRAIN, SINK STRAINER BASKET ONLY  
(PART OF 175687)
- 2 266130 DRAIN, LINER W/90 DEG ELBOW 1" PLASTIC
- 3 1042076 HOSE, WATER 1 1/8" BLK
- 4 256685 CLAMP, HOSE #16 3/4"-1.5" SS .505
- 5 196683 ADAPTER, PVC 1"MPT X 1" BARB
- 6 698183 BUSHING, PVC 1.5"M SLIP X 1"FPT
- 7 686725 TEE, PVC 1.5"FM SLIP X 1.5"FM SLIP X 1"FPT
- 8 484550 ADAPTER, PVC 1"MPT X 3/4" BARB
- 9 123877 HOSE, CORR SAN/WATER-FILL 3/4"
- 10 263954 CLAMP, HOSE #10 1/2"-1 1/8" SS .505
- 11 149757 PIPE, PVC SCH 40 BOE PIPE 1.5"
- 12 168179 ELBOW, PVC 1.5"FM SLIP X 1.5"FM SLIP 90DEG
- 13 583427 DRAIN, W/PLUG 100DEG 3/4" BARB CHR  
1734472 DRAIN ASSY, STOPPER #4202 MED BLK  
(PART OF 583427)
- 14 1792643 SHOWER, SUMP ASSY MULTI-POR 750GPH 12V W/CON
- 15 124487 THRU-HULL, PLAS 5/8" WHT
- 16 1058957 HOSE, WATER A/C WHT 5/8"
- 17 1794015 SWITCH, FLOAT ATTWOOD W/CVR W/CONN
- 18 1796904 PUMP, BILGE 1200GPH TSUNAMI W/CONN
- 19 196782 DRAIN ASSY, SHOWER 1.5"  
344721 DRAIN ASSY, GASKET SHOWER SLIP NUT 1.5"  
344762 DRAIN ASSY, SHOWER SLIP NUT 1.5"

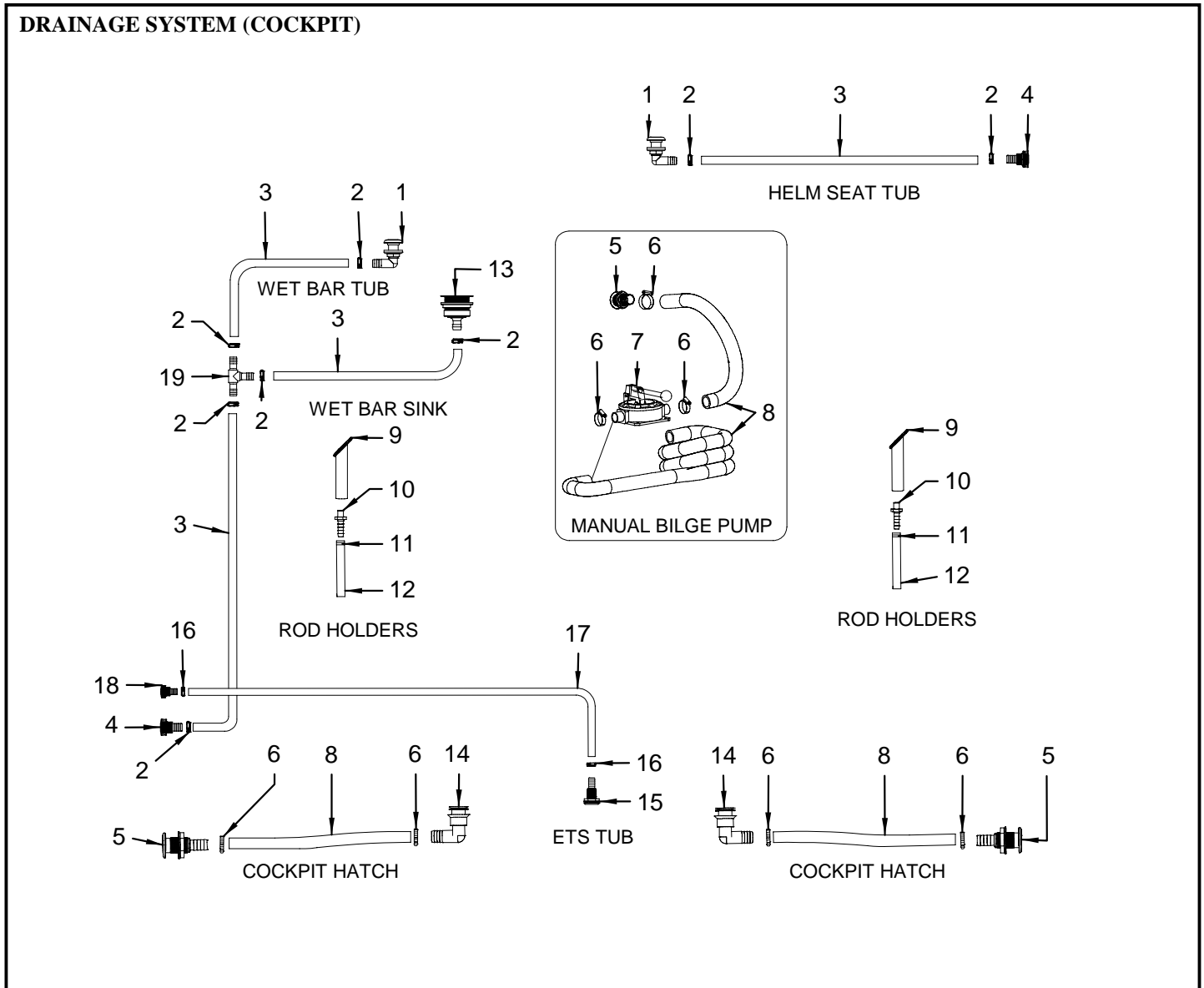
- 20 408724 ELBOW, PVC 1.5" FLANGE X 3/4" BARB X 90DEG
- 21 123877 HOSE, CORR SAN/WATER-FILL 3/4"
- 22 1453828 TEE, PVC 1.5" FM SLIP SWEEP
- 23 184101 ADAPTER, PVC 1.5"OD X 1.5"ID SLIP
- 24 256693 CLAMP, HOSE #24 1"-2" SS .505
- 25 846899 HOSE, SANI 1.5" PREMIUM RBR BLK
- 26 1778928 THRU-HULL, SS 1.5" BARB SHORT
- 27 123877 HOSE, CORR SAN/WATER-FILL 3/4"

**LABELS**

- 1745160 LABEL, 1/2" X 1.5" SHWR DRAIN
- 1768876 LABEL, 1/2" X 1.5" DRAIN

**NOT SHOWN**

- 836007 BRACKET, ALUM 1.5" X 1.5" X 3" 3/16" HOLES
- 266130 DRAIN, LINER W/90 DEG ELBOW 1" PLASTIC
- 1033745 HOSE, WATER 1" ID X 1 3/8" OD
- 1742987 ADAPTER, PVC 1"MPT X 1 1/8" BARB



**DRAINAGE SYSTEM (COCKPIT)**

- 1 674143 THRU-HULL, PLAS 3/4"X 90DEG WHT
- 2 256677 CLAMP, HOSE #12 1/2"-1.25" SS .505
- 3 123877 HOSE, CORR SAN/WATER-FILL 3/4"
- 4 1778929 THRU-HULL, SS 3/4"BARB SHORT
- 5 1778928 THRU-HULL, SS 1.5"BARB SHORT
- 6 256693 CLAMP, HOSE #24 1"-2" SS .505
- 7 604959 PUMP, BILGE 16GPM MANUAL THRU DECK MNT (C E OPTION GROUP)
- 8 490219 HOSE, CORR SAN/WATER-FILL 1.5" RH
- 9 1795401 ROD HOLDER, FLUSH MNT SS 30DEG CONTR W/LOGO (ROD HOLDERS - 4)  
(ACC'Y TABLE W/LEVELOCK/2 GUNWALE ROD HOLDER)  
(SS GRILL W/LEVELOCK & 2 GUNWALE ROD HOLDERS)
- 10 147611 ADAPTER, BRASS 1/4"MPT X 3/8"BARB (ROD HOLDERS - 4)  
(ACC'Y TABLE W/LEVELOCK/2 GUNWALE ROD HOLDER)  
(SS GRILL W/LEVELOCK & 2 GUNWALE ROD HOLDERS)
- 11 1126747 TIE, CABLE 8.5" SCREW MNT BLK SS BARB (ROD HOLDERS - 4)  
(ACC'Y TABLE W/LEVELOCK/2 GUNWALE ROD HOLDER)  
(SS GRILL W/LEVELOCK & 2 GUNWALE ROD HOLDERS)
- 12 124347 HOSE, PVC CLEAR 3/8" (ROD HOLDERS - 4)  
(ACC'Y TABLE W/LEVELOCK/2 GUNWALE ROD HOLDER)  
(SS GRILL W/LEVELOCK & 2 GUNWALE ROD HOLDERS)
- 13 175687 DRAIN, SINK STRAINER 2.5" SS W/5/8"BARB
- 1839033 DRAIN, SINK STRAINER BASKET ONLY (PART OF 175687)

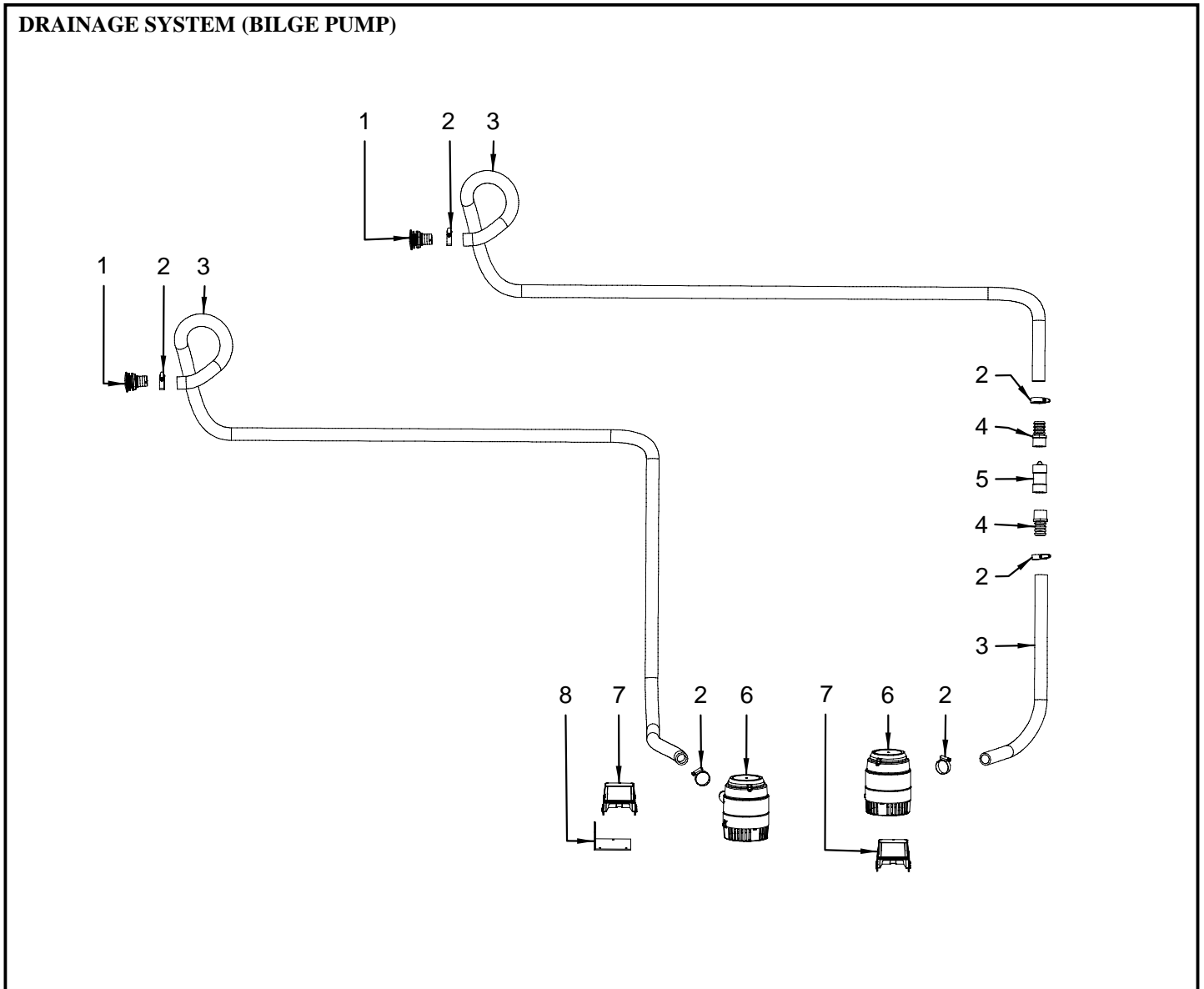
- 14 791673 THRU-HULL, PLAS 1.5" TUBE X 90DEG
- 15 124487 THRU-HULL, PLAS 5/8" WHT
- 16 263954 CLAMP, HOSE #10 1/2"-1 1/8" SS .505
- 17 1058957 HOSE, WATER A/C WHT 5/8"
- 18 1778933 THRU-HULL, SS 5/8"BARB SHORT
- 19 1882428 TEE, POLY 3/4"BARB X 3/4"BARB X 3/4"BARB

**LABELS**

- 1745123 LABEL, BILGE (LEXAN) (C E OPTION GROUP)
- 1745514 LABEL, PREVENT DISCHARGE OF POLLUTANTS (C E OPTION GROUP)
- 1751883 LABEL, 7/16"X 7/8" SALON (C E OPTION GROUP)

**NOT SHOWN**

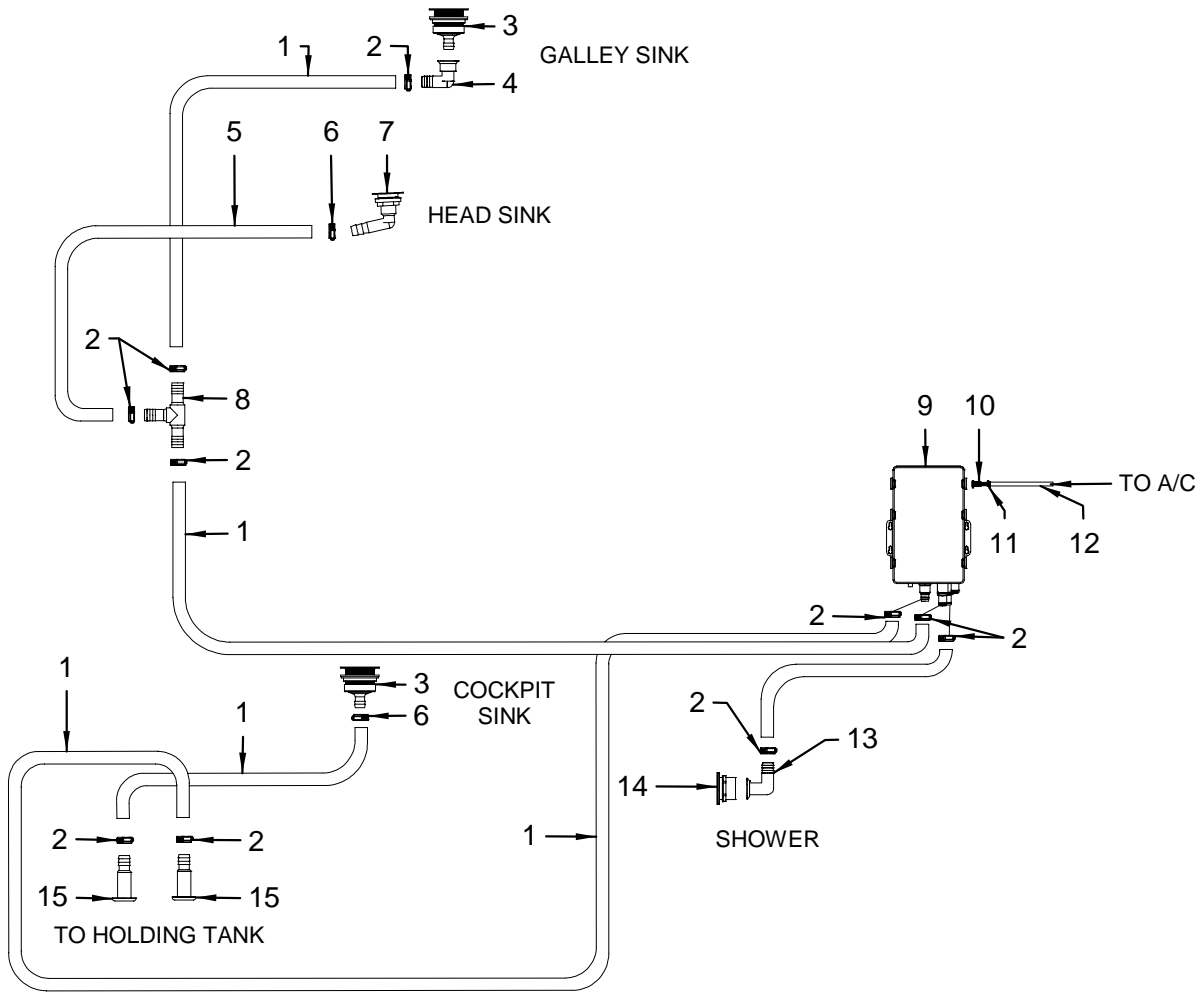
- 801563 PUMP, BILGE MANUAL PICKUP/STRAINER



**DRAINAGE SYSTEM (BILGE PUMP)**

- 1 1778931 THRU-HULL, SS 1 1/8" BARB SHORT
- 2 256685 CLAMP, HOSE #16 3/4"-1.5" SS .505
- 3 1042076 HOSE, WATER 1 1/8" BLK
- 4 196683 ADAPTER, PVC 1" MPT X 1" BARB
- 5 294488 VALVE, CHECK PLAS W/O SPRING 1" FPT
- 6 1815713 PUMP, BILGE 1700GPH ATTWOOD W/CONN
- 7 1794015 SWITCH, FLOAT ATTWOOD W/CVR W/CONN
- 8 1801270 BRACKET, ALUM FLOAT SWITCH HI-WTR ATTWOOD

**GRAY WATER SYSTEM**



**GRAY WATER SYSTEM**

- 1 123877 HOSE, CORR SAN/WATER-FILL 3/4"
- 2 256685 CLAMP, HOSE #16 3/4"-1.5" SS .505
- 3 175687 DRAIN, SINK STRAINER 2.5" SS W/5/8" BARB
- 1839033 DRAIN, SINK STRAINER BASKET ONLY  
(PART OF 175687)
- 4 266130 DRAIN, LINER W/90 DEG ELBOW 1" PLASTIC
- 5 123877 HOSE, CORR SAN/WATER-FILL 3/4"
- 6 263954 CLAMP, HOSE #10 1/2"-1 1/8" SS .505
- 7 583427 DRAIN, W/PLUG 100DEG 3/4" BARB CHR
- 1734472 DRAIN ASSY, STOPPER #4202 MED BLK  
(PART OF 583427)
- 8 1882428 TEE, POLY 3/4" BARB X 3/4" BARB X 3/4" BARB
- 9 1792643 SHOWER, SUMP ASSY MULTI-PORT 750GPH 12V W/CON
- 10 124487 THRU-HULL, PLAS 5/8" WHT
- 11 263954 CLAMP, HOSE #10 1/2"-1 1/8" SS .505
- 12 1058957 HOSE, WATER A/C WHT 5/8"
- 13 408724 ELBOW, PVC 1.5" FLANGE X 3/4" BARB X 90DEG
- 14 196782 DRAIN ASSY, SHOWER 1.5"
- 344762 DRAIN ASSY, SHOWER SLIP NUT 1.5"
- 344721 DRAIN ASSY, GASKET SHOWER SLIP NUT 1.5"
- 15 182964 THRU-HULL, PLAS 3/4" WHT

**LABELS**

- 1745161 LABEL, 1/2" X 1.5" VANITY SINK
- 1768876 LABEL, 1/2" X 1.5" DRAIN