

**2008 350DA**

**PARTS MANUAL**

**350**

**SUNDANCER®**

International - 375 SUNDANCER



Sea Ray® Parts Manual, 2008 350 SUNDANCER MRP #  
Sea Ray Boats, 2600 Sea Ray Blvd., Knoxville, TN 37914. For information call 1-800-SRBOATS or fax 1-314-213-7878 (USA and International).  
Internet address: <http://www.searay.com>

Note: Not all accessories shown in pictures or described herein are standard equipment or even available as options.  
Options and features are subject to change without notice.

Confirm the availability of all accessories and equipment with an authorized Sea Ray® dealer.

# 2008 350 SUNDANCER

## TABLE OF CONTENTS



<b>STANDARD &amp; OPTIONAL LAYOUTS</b>	<b>PAGE</b>
GELCOATS	1
LABELS & DECALS	2, 3
ADHESIVE & SEALANTS	4
EXTERIOR (HULL)	5, 6
AXIUS SYSTEM	7
EXTERIOR (TRANSOM)	8, 9
EXTERIOR (DECK) AFT	10
EXTERIOR (DECK) FORWARD	11
TRAPEZOID DECK HATCH	12, 13
EXTERIOR/WINDLASS	14, 15
EXTERIOR (HARDTOP)	16, 17
EXTERIOR (WINDSHIELD)	18
EXTERIOR (GRAPHICS) NO TWO-TONE BLUE	19
EXTERIOR (GRAPHICS) NO TWO-TONE BLACK	20
EXTERIOR (GRAPHICS) TWO-TONE BLUE	21
EXTERIOR (GRAPHICS) TWO-TONE BLACK	22
EXTERIOR (GRAPHICS) TWO TONE - PEWTER	23
CANVAS (BLACK)	24, 25
CANVAS (BLUE - MARINE MIDNIGHT)	26, 27
CANVAS (WHITE)	28, 29
COCKPIT (PORT VIEW)	30, 31
CABIN ENTRY DOOR	32
COCKPIT (FORWARD STARBOARD VIEW)	33, 34
COCKPIT (STARBOARD/AFT)	35, 36
HELM	37, 38
COCKPIT UPHOLSTERY	39, 40
COCKPIT SNAP-IN CARPET LINER	41
INSTRUMENT PANELS	42
ELECTRONICS PANEL (PORT)	43
ELECTRONICS PANEL (CENTER)	44, 45
SWITCH PANEL	46
FORWARD STATEROOM (PORT VIEW)	47, 48
FORWARD STATEROOM (STARBOARD VIEW)	49, 50
PORT HEAD	51, 52
GALLEY	53, 54
COMPANIONWAY AND ENTRY STEPS	55, 56
SALON (STARBOARD VIEW)	57, 58, 59
MID STATEROOM (PORT VIEW)	60, 61
MID STATEROOM (STARBOARD VIEW)	62, 63
IGNITION SWITCH PANEL	64, 65
MULTI-INFO PACKET	66
KNOXVILLE HARDWARE	67
KNOXVILLE HARDWARE (CONTINUED 1)	68
MAIN DISTRIBUTION PANEL 120VAC	69
MAIN DISTRIBUTION PANEL 220VAC	70, 71
MAIN DC BREAKER PANEL	72
BILGE (STANDARD)	73, 74
A/C SYSTEM	75, 76
BILGE (WATER INTAKE SYSTEM) STERN DRIVE	77
BILGE (WATER INTAKE SYSTEM) V-DRIVE	78
BILGE (EXHAUST SYSTEM)	79
BILGE (EXHAUST SYSTEM OPTIONAL)	80, 81
GENERATOR SYSTEM (GAS)	82, 83
GENERATOR SYSTEM (DIESEL)	84
STEERING SYSTEM (STERN DRIVE)	85

	<b>PAGE</b>
STEERING SYSTEM (SHAFT ASSEMBLY)	86
STEERING SYSTEM (AFT)	87
STEERING SYSTEM (HYDRAULIC ASSEMBLY)	88, 89
FUEL SYSTEM (STERN DRIVE) GAS	90
FUEL SYSTEM (V-DRIVE) GAS	91
FUEL SYSTEM (STERN DRIVE) DIESEL	92, 93
FUEL SYSTEM (V-DRIVE) DIESEL	94, 95
FUEL SYSTEM (DIESEL)	96, 97
WATER SYSTEM (GALLEY)	98
WATER SYSTEM (PORT HEAD)	99
WATER SYSTEM (BILGE)	100, 101
WATER SYSTEM (WATER HEATER)	102, 103
WATER HEATER (CLOSED COOLING SYSTEM)	104
WATER SYSTEM (COCKPIT)	105, 106
SEWAGE SYSTEM	107, 108
DRAINAGE (FORWARD)	109, 110
DRAINAGE SYSTEM (COCKPIT)	111, 112
GRAY WATER SYSTEM	113
DRAINAGE SYSTEM (BILGE)	114, 115

**GELCOATS****GELCOATS**

- 1899293 GEL COAT, ARCTIC WHT WG-MP-1949S  
**DECK, HULL & SMALL PARTS)**
- 1558469 GEL COAT, MAXGUARD LE PEARL  
**(UNDERSIDE OF SMALL PARTS)**
- 1891217 GEL COAT, BILGE PEARL G920LB90935 AOC  
**(BILGE AREA, UNDERSIDE OF DECK AND SMALL PARTS)**
- 1799861 GEL COAT, NICKLE MMHP  
**(DASH)**
- 1899162 GEL COAT, SEA RAY BLUE 952 LK 197
- 1690845 GEL COAT, JET BLK
- 1799781 GEL COAT, NEW PEWTER VALSPAR
- 1907412 GEL COAT, MMHP SOFT YELLOW 5799L90028

**BOTTOM PAINT**

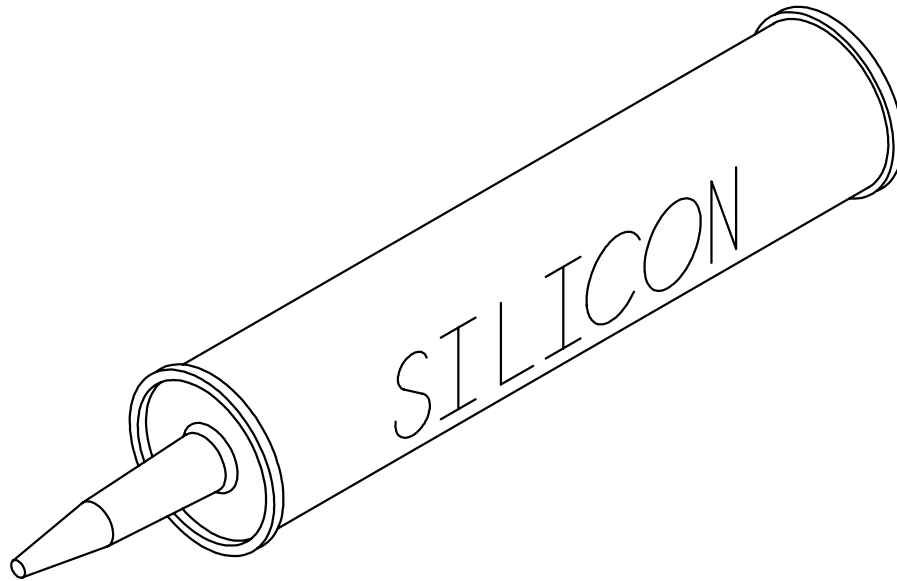
- 1355338 PAINT, BOTTOM BLACK HYDROCOAT
- 868901 THINNER, BOTTOM PAINT
- 1271147 PAINT, PRIMER METAL #6627
- 946152 PAINT, PRIMER METAL #6455/044
- 1896388 PRIMER, FAST CURE SANDLESS 6998 1 GL

**LABELS & DECALS**

## LABELS &amp; DECALS

129122	LABEL, NMMA CERTIFIED	1816198	LABEL, CAUTION ELEC LOAD ONLY INVRTR REPCT (INVERTER - 12V TO 120V/60 CYCLE)
614867	DECAL, "SLING" LARGE (VAC PAC)	1831528	LABEL, GENERATOR RESET NOTICE
976415	PLATE, CE OPT B:12PERSON/1360KG (C E OPTION GROUP)	1852083	LABEL, CAUTION REMOVE TV COVER
1235928	LABEL, ARROW'S LINE UP HERE	1852096	LABEL, WARNING REMOVE HELM TV
1450915	LABEL, CABIN STEREO 7/16"X 7/8"	1872342	LABEL, STICKER SEARAY LOGO OVAL 11 1/2" X 47"
1547959	LABEL, WARNING BLOWER	1888131	LABEL, WARNING ENG HATCH SUPPORT
1688700	LABEL, RCA DSS UNIT	1895601	LABEL, DANGER/WARNING COMBO CNTRL STA RV1
1743505	LABEL, WARNING GAS VAPOR EXPLODE/AUTO EXT SYS	1897718	LABEL, CE:OPT EMERGENCY EXIT (LABEL IS LOCATED ON INSIDE OF BOAT ON THE TRAPEZOID HATCH ONLY WHEN BOAT CALLS FOR C E OPTION GROUP)
1743507	LABEL, DOOR MUST BE SECURED UNDERWAY	1897722	LABEL, STICKER 350DA CANADIAN CONFORMITY
1743512	LABEL, "LINE 1" (LEXAN)	1907439	LABEL, NOTICE WETBAR DOOR/HATCH LIFT
1743513	LABEL, "LINE 2" (LEXAN)	1937010	PLATE, BUILDERS AU 08-350DA (AUSTRALIA / NEW ZEALAND OPTION)
1743530	LABEL, SHIFT (LEXAN)	1940277	DECAL, SEA RAY OWNERS CLUB (NBOA) RV RND
1743531	LABEL, THROTTLE (LEXAN)		
1743532	LABEL, SLING (LEXAN)		
1743534	LABEL, FRESH WATER (LEXAN)		
1743548	LABEL, WARNING RUNNING BOAT W/DOOR OPEN		
1743571	LABEL, DANGER TRANSOM DOOR (LEXAN)		
1743616	LABEL, UNPLUG SHORE POWER WARNING		
1744355	LABEL, CAUTION HATCH/CANVAS CURTAIN		
1744735	LABEL, FUEL SHUT-OFF (LEXAN) (T-YANMAR 6LPA-STZP W/BR 3 S/D)(TVD-YANMAR 6LPA-STP V/D)		
1744737	LABEL, DISCHARGE OF OIL (LEXAN)		
1744738	LABEL, RECEPTACLE 12V-15A MAX (LEXAN)		
1744744	LABEL, UPON HALON DISCHARGE SHUTDOWN ELEC SYS (T-YANMAR 6LPA-STZP W/BR 3 S/D)(TVD-YANMAR 6LPA-STP V/D)		
1744745	LABEL, DISPOSAL OF GARBAGE		
1744761	LABEL, NOTICE AUTO HALON SYSTEM (LEXAN)		
1744845	LABEL, EXHAUST OUTLET (LEXAN)		
1745123	LABEL, BILGE (LEXAN)		
1745124	LABEL, EXH FAN MUST BE ON WHEN COOK APPL USED		
1745156	LABEL, NOTICE OVERBOARD DISCHARGE (LEXAN)		
1745158	LABEL, FUEL RECOMMENDATION/LP GAS WARNING		
1745160	LABEL, SHWR DRAIN 1/2"X 1.5"		
1745512	LABEL, STAY CLEAR OF MOVING PARTS ON ENGINE		
1745513	LABEL, WARNING LEAKING FUEL		
1745514	LABEL, PREVENT DISCHARGE OF POLLUTANTS		
1745515	LABEL, WARNING DO NOT STAND/WALK THIS AREA		
1745517	LABEL, DISCHARGE 1/2"X 1.5"		
1745519	LABEL, DANGER SHUT OFF ENG WHEN NEAR SWIMMERS		
1746224	LABEL, INFO HELM SAFETY		
1746895	LABEL, CHECK BATTERY CELL FLUID LEVEL		
1746896	LABEL, DANGER STAY CLEAR OF MOVING PARTS		
1746899	LABEL, DANGER CARBON MONOXIDE (LEXAN)		
1747493	LABEL, LEAVING WINDOW OPEN EXHAUST FUMES		
1747504	LABEL, COMPASS AREA KEEP AWAY MTL OBJECTS		
1747505	LABEL, INFO REPL PROD/BROCH/DLRLOC/ETC		
1751061	LABEL, BOW THRUSTER		
1751883	LABEL, SLN 7/16"X 7/8"		
1751884	LABEL, A/C CONDENSATE 1/2"X 1.5"		
1751885	LABEL, CAUTION: PRIOR TO TOWING VESSEL (TVD-CA-8.1 S HRZ DTS)(TVD-8.1 S HRZ DTS (T-370 PHP)		
1751886	LABEL, NOTICE TRANSOM DOOR/HATCH LIFT		
1752374	LABEL, SUN PAD WARNING UNDERWAY		
1752709	PLATE, NMMA YACHT CERT GAS		
1752856	LABEL, WARNING LTD VISION FROM HELM STN		
1757259	LABEL, GALVANIC ISOLATOR INSTALLED REVERSE		
1765879	LABEL, DANGER DO NOT CLIMB/STORE ON HARDTOP		
1766115	PACKET, SIRIUS WELCOME KIT		
1768876	LABEL, DRAIN 1/2"X 1.5"		
1771209	LABEL, DOOR SECURED UNDERWAY		
1786899	LABEL, WARNING OPEN FLAME COOKING APPLIANCES (SS GRILL W/LEVELOCK & 2 GUNWALE ROD HOLDERS)		
1790407	LABEL, AC NEUTRAL (LEXAN)		
1790406	LABEL, DC NEGATIVE (LEXAN)		
1790408	LABEL, AC GROUNDING (LEXAN)		
1791388	DECAL, MERCURY CERTIFIED INSTALLER		
1792393	LABEL, TRNSM SEAT WARNING		
1806416	DECAL, SIRIUS "NOW PLAYING INSIDE"		
1808431	DECAL, SIRIUS ACTIVATION ORNG/BLUE 6 MONTH		
1809840	LABEL, MANIFOLD HOT/COLD ZURN 64QKIPSP		
1811367	LABEL, DANGER CO TRANSOM 06		
1811368	LABEL, DANGER CO HELM 06		
1812911	LABEL, DANGER CO CABIN 06		
1813640	LABEL, STERN THRUSTER		
1816196	LABEL, WARNING ELEC SHK HZRD INVRTR DISCNT DC (INVERTER - 12V TO 120V/60 CYCLE)		
1816197	LABEL, WARNING ELEC SHK HZRD INVRTR FED RECPT (INVERTER - 12V TO 120V/60 CYCLE)		

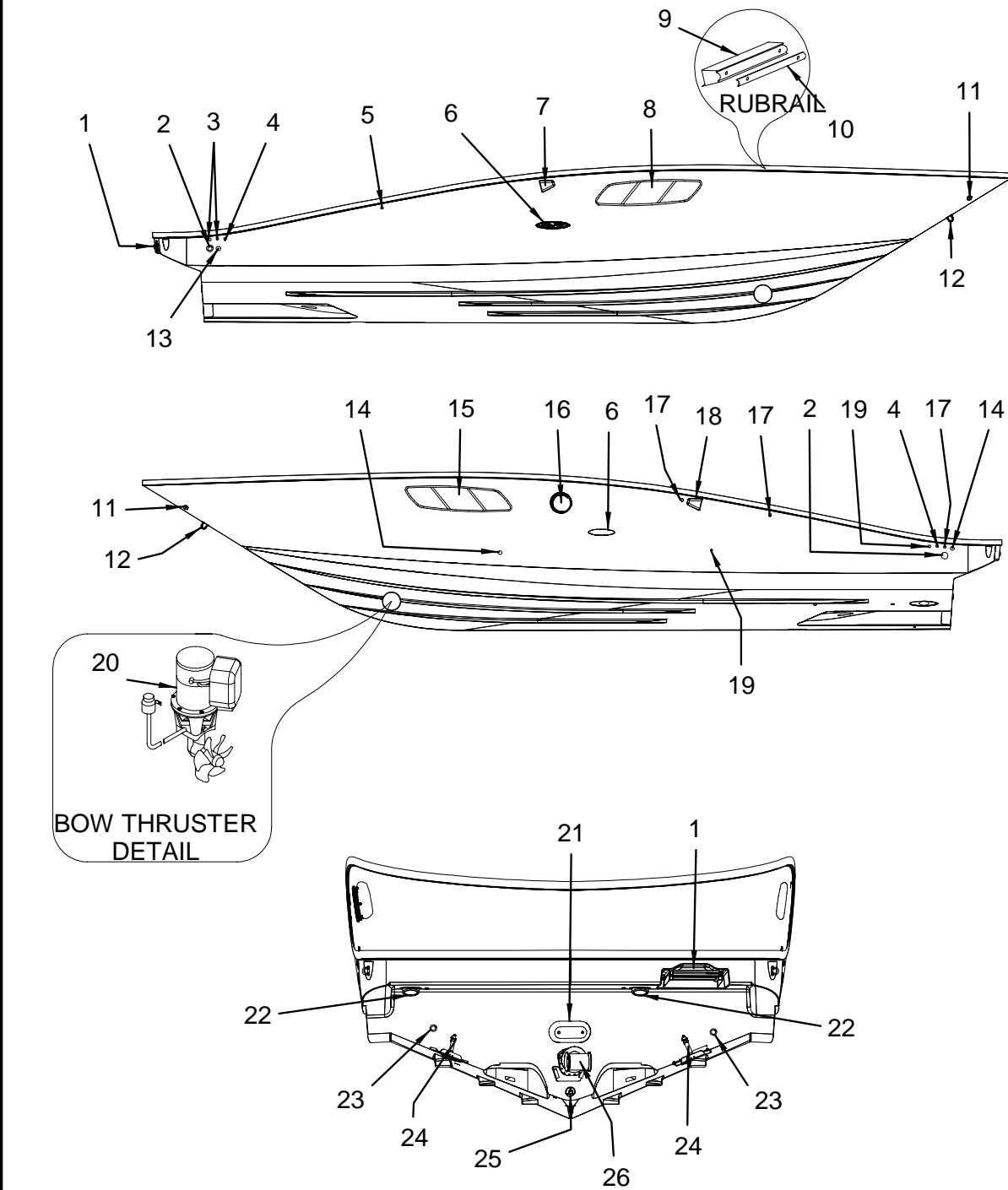
## ADHESIVE &amp; SEALANTS



## ADHESIVE &amp; SEALANTS

148361	ADHESIVE, PVC CEMENT	1746402	ADHESIVE, PERMAGRIP RED 553R 55 GALL
155200	SEALANT, SILICONE BLK RTV	1751155	SEALANT, SILGLAZE SCS 2802 RTV WHT
156992	SEALANT, SILICONE BLK RTV 10.3OZ	1754139	ADHESIVE, BOSTIK B960SR NICKLE 10.3OZ TUBE
157008	SEALANT, SILICONE CLEAR RTV 10.3OZ	1774501	ADHESIVE, EDGEBANDING HOTMELT HIGH TEMP
157016	SEALANT, SILICONE SILVER RTV 10.3OZ	1785063	ADHESIVE, BOSTIK 940A WHITE SAUSAGE TUBE 100Z
166090	SEALANT, CAULK RIBBON DOPE THREAD	1803291	ADHESIVE, SPRAY WHISPER 1585
166173	SILICONE SPRAY, 20 OZ 12/CS	1813748	ADHESIVE, CHEMENCE SUPERGLUE
188334	ADHESIVE, 3M ADHESIVE SPRAY SUPER77 ORIGINAL	1831631	ADHESIVE, BOSTIK 940FSA BLK 20 OZ SAUSAGE PK
191510	ADHESIVE, CONTACT SPRAY SUPER 74 (FOAM FAST)	1831630	ADHESIVE, BOSTIK #940FSA WHT 20 OZ SAUSAGE PK
211805	ADHESIVE, THREADLOCKER W/TEFLON 250ML TUBE	1831632	ADHESIVE, BOSTIK 940FSA BLK 10 OZ SAUSAGE PK
257923	SEALANT, URETHANE CLEAR B-LIFE LIFESEAL	1831638	ADHESIVE, BOSTIK 940FSA WHT 10 OZ SAUSAGE PK
352443	SEALANT, SILICONE ALMOND STARBRITE RTV		
529289	ADHESIVE, BONDING WHT (ITW)		
531194	ADHESIVE, LOCKWELD #500		
822338	SEALANT, TEFLON TEF-GEL 1OZ SYRINGE		
850677	ADHESIVE, LOCTITE 271		
1411628	ADHESIVE, SPRAY CAMIE FOAM/FABRIC		
1412535	ADHESIVE, JET-WELD 10OZ WHT CARTRIDGE		
1577139	ADHESIVE, SIKAFLEX 296 600ML		
1577147	ADHESIVE, SIKAFLEX 295 UV 310ML		
1577154	ADHESIVE, SIKAFLEX 206G&P PRIMER 250ML		
1577162	ADHESIVE, SIKA ACTIVATOR 250ML		
1684818	ADHESIVE, PVC CEMENT PRIMER CLEAR OATEY		
1735943	ADHESIVE, BOSTIK 960SR PEARL 10.3OZ TUBE		
1736004	ADHESIVE, BOSTIK 960SR ARC WHT 10.3OZ TUBE		

EXTERIOR (HULL)



**EXTERIOR (HULL)**

- 1 1850876 LADDER, SWIM 4-STEP SS UNDRMNT RND 30DEG
- 1747836 RAIL, GRAB 12" STREAMLINE W/FLANGES (316L)
- 1907027 LADDER, SLIDE BAR LATCH SPRING KIT  
(PART OF 1850876)
- 1907028 LADDER, TEL RND 4-STEP UNDRMNT SECTIONS  
(PART OF 1850876)
- 1907029 LADDER, STOP BLOCK RND 4-STEP 5&30 DEG W/HDWR  
(PART OF 1850876)
- 1907030 LADDER, GUDGEON 19.25"X 19" UNDRMNT SS  
(PART OF 1850876)
- 2 1761551 THRU-HULL, SS EXHAUST 2.5" X-LONG
- 1831304 THRU-HULL, FLAP ONLY SS EXH 2.5-3" X-LONG  
(PART OF 1761551)
- 3 1778931 THRU-HULL, SS 1 1/8" BARB SHORT
- 4 1778929 THRU-HULL, SS 3/4" BARB SHORT
- 5 1433176 VENT, FUEL/WATER SS 5/8" 90DEG FLSH MNT
- 6 1443183 EMBLEM, "SEA RAY" SCRIPT HULL LOGO CHR 13"
- 7 688721 COVER, CUSTOM CLAMSHELL (ABS/DR)
- 1899553 COVER, CUSTOM CLAMSHELL ABS/DR SEA RAY BLUE
- 1802212 COVER, CUSTOM CLAMSHELL ABS/DR PAINTED BLK
- 1797185 COVER, CUSTOM CLAMSHELL PEWTER
- 1907467 COVER, CUSTOM CLAMSHELL ABS/DR SFT YLW
- 8 1903931 PORTLIGHT, FIXED HULL WNDW STB 52" SMKD/SS
- 9 1673565 RUBRAIL, PVC ARCWHT 19" SS INSERT 1.825" WIDE
- 10 1080100 INSERT, RUB RAIL SS 3/4" X 12" (.062/304SS)
- 11 533430 VENT, CLAMSHELL ROPE LCKR 2" X 2"
- 12 126599 EYE, STERN 1/2" X 3 7/16" W/BACKING PLATE
- 13 1769255 THRU-HULL, SS EXHAUST 2" W/SS LIP
- 14 1778928 THRU-HULL, SS 1.5" BARB SHORT
- 15 1903930 PORTLIGHT, FIXED HULL WNDW PRT 52" SMKD/SS
- 16 1903203 PORTLIGHT, OPENING SS RND 12" FRSTD
- 1903204 SCREEN, PORTLIGHT 12" RND
- 17 1433176 VENT, FUEL/WATER SS 5/8" 90DEG FLSH MNT
- 18 688721 COVER, CUSTOM CLAMSHELL (ABS/DR)
- 19 1778933 THRU-HULL, SS 5/8" BARB SHORT
- 20 1938440 BOW THRUSTER, SIDE PWR 121LB THRST 5-BLADE
- 1727462 BOW THRUSTER, CABLE SIDE PWR CNTRL 15M
- 1585470 FUSE, ANL250 IGN PROTECTED
- 987446 FUSE BLOCK, BLADE TYPE ANL350/500
- 795583 BUSS BAR, SGL POST 5/16"
- 650507 BOOT, BATTERY CABLE 4/0 BLK 11/16"
- 650499 BOOT, BATTERY CABLE 4/0 RED 11/16"
- 21 144329 ZINC, TRANSOM ZINC  
(V-DRIVE ONLY)
- 22 1774634 LIGHT, UNDRWTR 12V/50W HALOGEN SEALED BEAM  
(BULB NOT SOLD SEPARATELY)
- 23 1895054 LIGHT, UNDRWTR SV16/12V 55W HAL W/BRS RNG
- 24 725937 TRIM TAB, ASSY 12X18 SGL ACT
- 133876 TRIM TAB, HYD CYLINDER ONLY  
(PART OF TRIM TAB ASSY)
- 25 325191 PLUG, RED BRASS DRAIN 1/2" MPT W/FLANGE
- 162263 PLUG, BRASS 1/2" MPT DRAIN SPARE  
(PART OF 325191)
- 26 1940140 STERN THRUSTER, 121LB IGPN CLOSED GEAR RV1  
(HULL# 1239 -> UP)
- 1951950 STERN THRUSTER, PROPELLER  
(PART OF 1940140)
- 1800988 STERN THRUSTER, TUNNEL SIDE PWR SP55SI ONLY
- 1800993 STERN THRUSTER, DOCKING CNTRL PNL
- 1585470 FUSE, ANL250 IGN PROTECTED

**BRACKETS**

- 835835 BRACKET, ALUM 1" X 1" X 3" 3/16" HOLES 2 SIDES
- 952895 BRACKET, ALUM 2" X 1/8" X 3" 2@3/16" HOLES WIDE
- 952929 BRACKET, ALUM 1" X 1/8" X 3" 3/16" HOLES
- 836122 BRACKET, PVC 1.5" X 1.5" X 3" 3/16" HOLES

**NOT SHOWN**

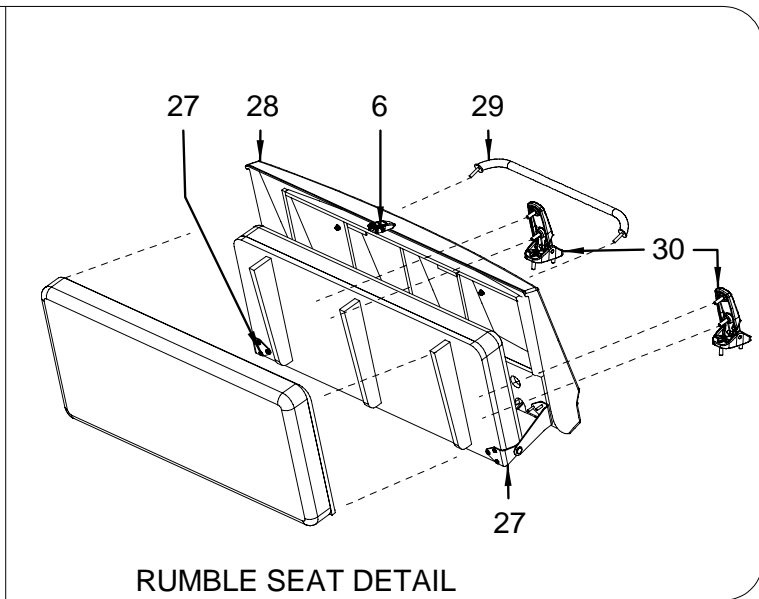
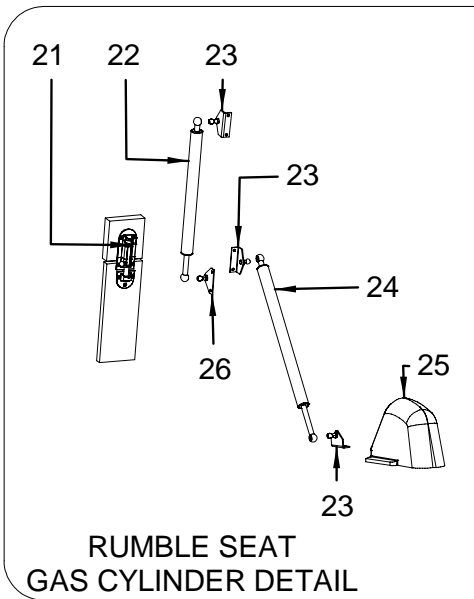
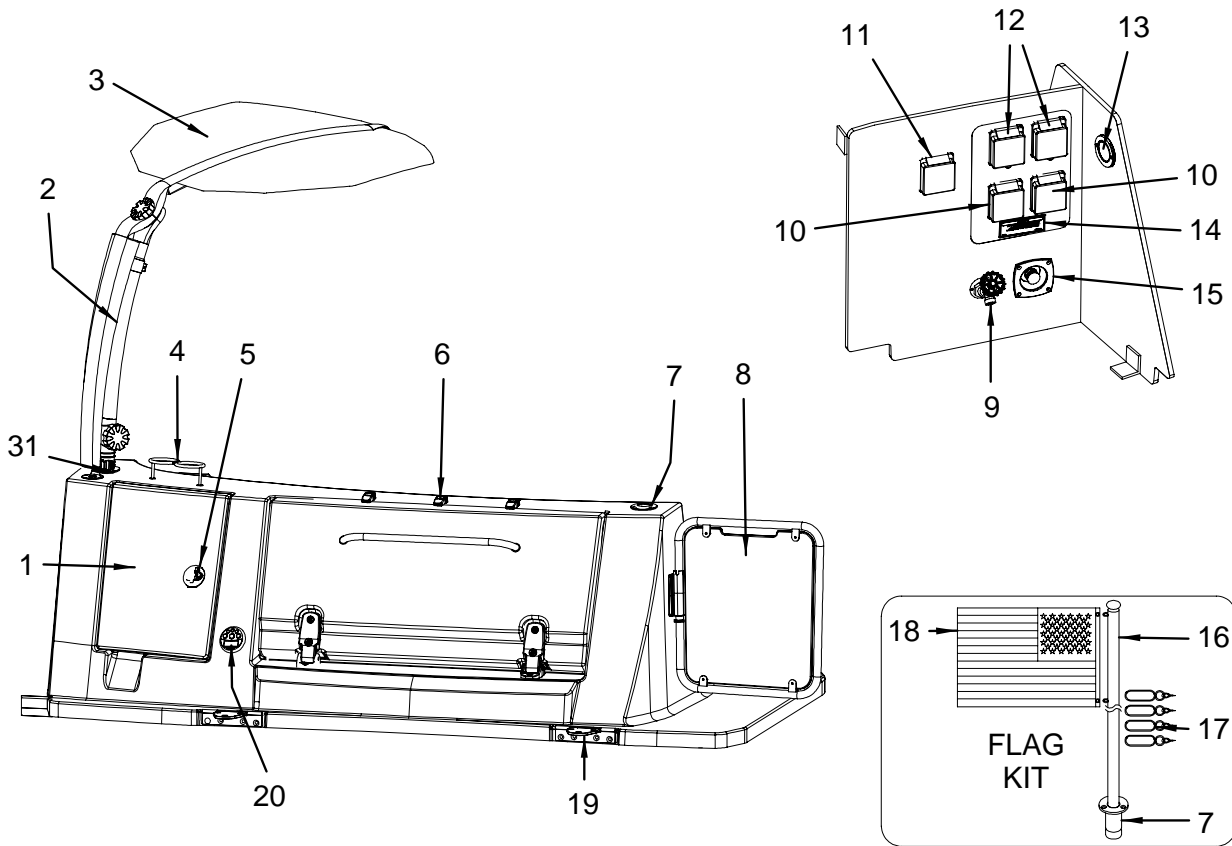
- 1908300 VINYL FILM, 350DA-08 PLAS CVR



**AXIUS SYSTEM**
**AXIUS SYSTEM**

1881575 HARNESS, CAN V EXT 30'  
 1889401 HARNESS, CAN V 10-2 PIN M-M ADAPTER  
 1936811 BEZEL, VSLVW DISPLAY SR MAHOGANY  
 1936812 BEZEL, AXIUS/ZEUS JOYSTICK SR MAHOGANY  
 1936815 PANEL, 350DA-08 CKPT AXIUS STB AFT CHMP/OMNVA  
 1936816 PANEL, 350DA-08 CKPT AXIUS STB FWD OMNOVA  
 1937080 STEERING, AXIUS CNTRL SYS CMPLT  
 1937112 ANTENNA, AXIUS GPS  
 1937113 HARNESS, AXIUS CLEAN POWER  
 1937117 HARNESS, AXIUS Y CAN-NMEA 2000  
 1937118 COMPASS, AXIUS/IMU  
 1937119 HARNESS, AXIUS CAN V TERM  
 1937131 HARNESS, AXIUS F-F ADAPTER 3'  
 1937132 HARNESS, AXIUS NMEA EXT 4 METER  
 1937133 BOARD, SS AXIUS CMPNT  
 1937135 CONTROL, AXIUS JOYSTICK ASSY  
 1937136 CONTROL, AXIUS AUTO PILOT TRACK PAD  
 1937142 CONTROL, AXIUS STEERING ACT PRT  
 1937143 CONTROL, AXIUS STEERING ACT STB  
 1937230 CONTROL, AXIUS HELM/MECH/TILT  
 1937231 CONTROL, AXIUS HELM BOXED ASSY  
 1937233 CONTROL, AXIUS PARTS BAG 14P Y/CAN CAPS  
 1937235 CONTROL, AXIUS PARTS BAG HELM  
 1939447 HARNESS, AXIUS NMEA EXT 5 METER

EXTERIOR (TRANSOM)



**EXTERIOR (TRANSOM)**

- 1 1908612 350DA 08,LID,TRNSM STRG FBRGLS
- 1848437 HINGE, SS CONT 2"X 18" ELCTRO POL
- 2 1850435 ROD HOLDER, MANTIS SNSHD MOUNT
- 3 1850433 CANVAS, ALUM WHT PDWRCT MANTIS SNSHD BLK
- 1888995 CANVAS, ALUM WHT PDWRCT MANTIS SNSHD WHT
- 1907646 CANVAS, ALUM WHT PDWRCT MANTIS SNSHD MRN MDNT
- 4 1750873 HOLDER, DRINK SS 2-RING 3" (KING)
- 5 1781434 LATCH, FLUSH MNT N/LOCKING SLAM SS
- 1781435 PLATE, CUP BRKT 2"LONG SCREW W/HDWR PKG
- 6 1882426 LATCH, DRAW TRNSM SEAT ZINC/CHR POL FRICTION
- 7 1848879 HOLDER, FLUSH MOUNT MAGNETIC STERN FLAG POLE
- 8 1898185 DOOR, PLEX 350DA-08 TRNSM ETCHD W/SSTRIM/HDWR
- 9 1096262 FAUCET, SILLCOCK WASHDOWN (WHITECAP)
- 10 133678 INLET, SHORE POWER WHT 125V 30A
- 206276 INLET, SHORE POWER WHT 220V/50H 16A
- 1244367 CORD SET, 120V/30A 50FT POWERCORD PLUS
- 206268 CORD SET, 220V/50H 16A 50FT  
**(220 VOLT / 50 CYCLE)**
- 133652 ADAPTER, SHORE CORD 125V/30A(F)-125V/15A(M)
- 11 876458 COVER PLATE, CABLE TV WEATHERPROOF OUTLET BLK
- 136085 CORD SET, TV CABLE 50FT
- 12 829416 INLET, "MAIN BRKR" HOUSING WHT
- 582445 BRKR/TOGGLE, 2-POLE AC MED DELAY 35A
- 826867 BRKR/TOGGLE, 2-POLE AC MED DELAY 25A  
**(220 VOLT / 50 CYCLE)**
- 13 1771003 LIGHT, COURTESY RND W/FRST LENS 12V/5W W/CONN
- 1192368 BULB, REPL FOR #0840868 12V/5W  
**(PART OF 1771003)**
- 14 1745162 LABEL, LEAVING DOCKSIDE WTR CONNECTED WARNING
- 15 141168 INLET, WATER W/PRESS REGULATOR WHT
- 16 1838431 POLE, FLAGSTAFF SS MAGNETIC SPRTBT/SPRTCRSR
- 17 1854249 CLIP, FLAG KEY RNG 302SS
- 18 1838426 FLAG, USA 16" X 24"
- 19 1683753 HINGE, SS 320DA-02 CKPT HATCH
- 20 1803477 STEREO, REMOTE CNTRL N/DSPL BLK FACE/SS BZL  
**(2ND STEREO REMOTE CONTROL -TRANSOM)**
- 1903545 CABLE, CLARION REMOTE EXTENSION CABLE 25'  
**(2ND STEREO REMOTE CONTROL -TRANSOM)**
- 935080 CABLE, CLARION DUAL REMOTE "Y"  
**(2ND STEREO REMOTE CONTROL -TRANSOM)**
- 21 1885349 BOARD, HDPE 1/2X3X12 BARREL BOLT/SHIM/HNG ARW
- 22 1884389 CYLINDER, SS DAMPENER 20"EXT
- 23 634550 BRACKET, SS GAS CYL 90DEG L-BRKT W/BALL LONG
- 24 1884390 CYLINDER, GAS SS 30PSI 26"EXT X 12"COMP
- 25 1409929 COVER, ABS W/S VENT ACTUATOR ARW
- 26 634592 BRACKET, SS GAS CYL FLAT W/BALL STUD
- 27 1847967 HINGE, SS TRNSM SEAT BACK PIVOT
- 28 1885311 LID, RTM TRNSM SEAT ARW
- 1687583 SWITCH, MAGNETIC TRANS DOOR GRY
- 29 1747838 RAIL, GRAB 24" STRMLN W/STUD FLANGES 316L
- 30 1847966 HINGE, SS TRNSM SEAT BACK N/PIN W/RBR PAD
- 31 1880678 ROD HOLDER, FLUSH MNT SS 0DEG W/LOGO

**DOOR HARDWARE**

- 1909958 SWITCH, MAGNETIC TWIST-LOC CKPT DOOR

**HARDWARE**

- 1850429 BOLT, BUTTON HEAD 3/8-16 X1.75"SS/SC W/SKTDREV

**NOT SHOWN**

- 1887752 BUMPER, RBR 7/16"X5/8"LID ADJ DURO SBR BLK
- 1888672 BRACE, HDPE TRNSM SEAT LID ARW
- 1424597 CYLINDER, GAS SS 20PSI 15"EXT X 9"COMP

**SWIM PLATFORM OPTION**

- 1908163 FRAME, SS 350DA-08 SWMPLTFRM 2.5"X38"X117"  
**(SWIM PLATFORM ADD-ON W/SOLID TEAK FLOORING)**
- 1908449 TEAK, P/C 350DA-08 ADD-ON SWM PLTFRM  
**(SWIM PLATFORM ADD-ON W/SOLID TEAK FLOORING)**

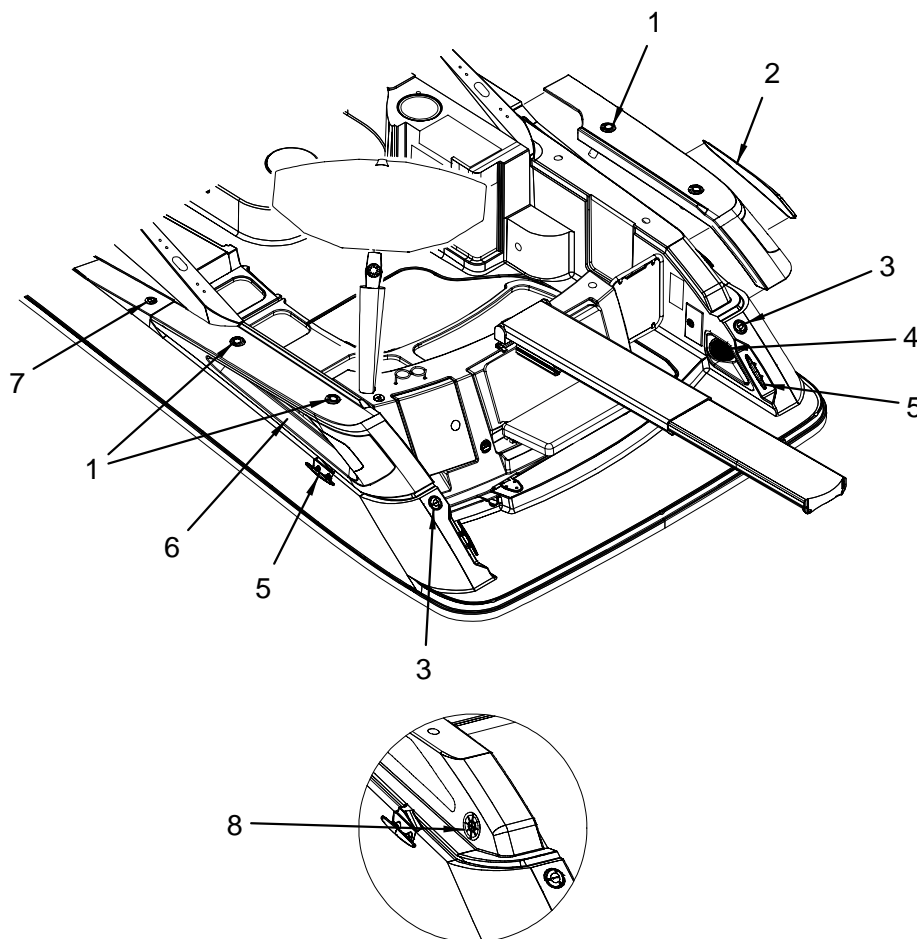
**TEAK COCKPIT & SWIM PLATFORM**

- 1938902 TEAK, P/C 350DA-08 SWM PLTFRM  
**(TEAK COCKPIT & SWIM PLATFORM)**
- 1939134 VNDR INSTL, 350DA-08 SWM PLTFRM TEAK  
**(TEAK COCKPIT & SWIM PLATFORM)**

**THRU- HULLS**

- 326009 THRU-HULL, PLAS 2" WHT (FULL THREAD)  
**FOR WIRE PULLS IN TRANSOM WALL**

**EXTERIOR (DECK) AFT**



**EXTERIOR (DECK) AFT**

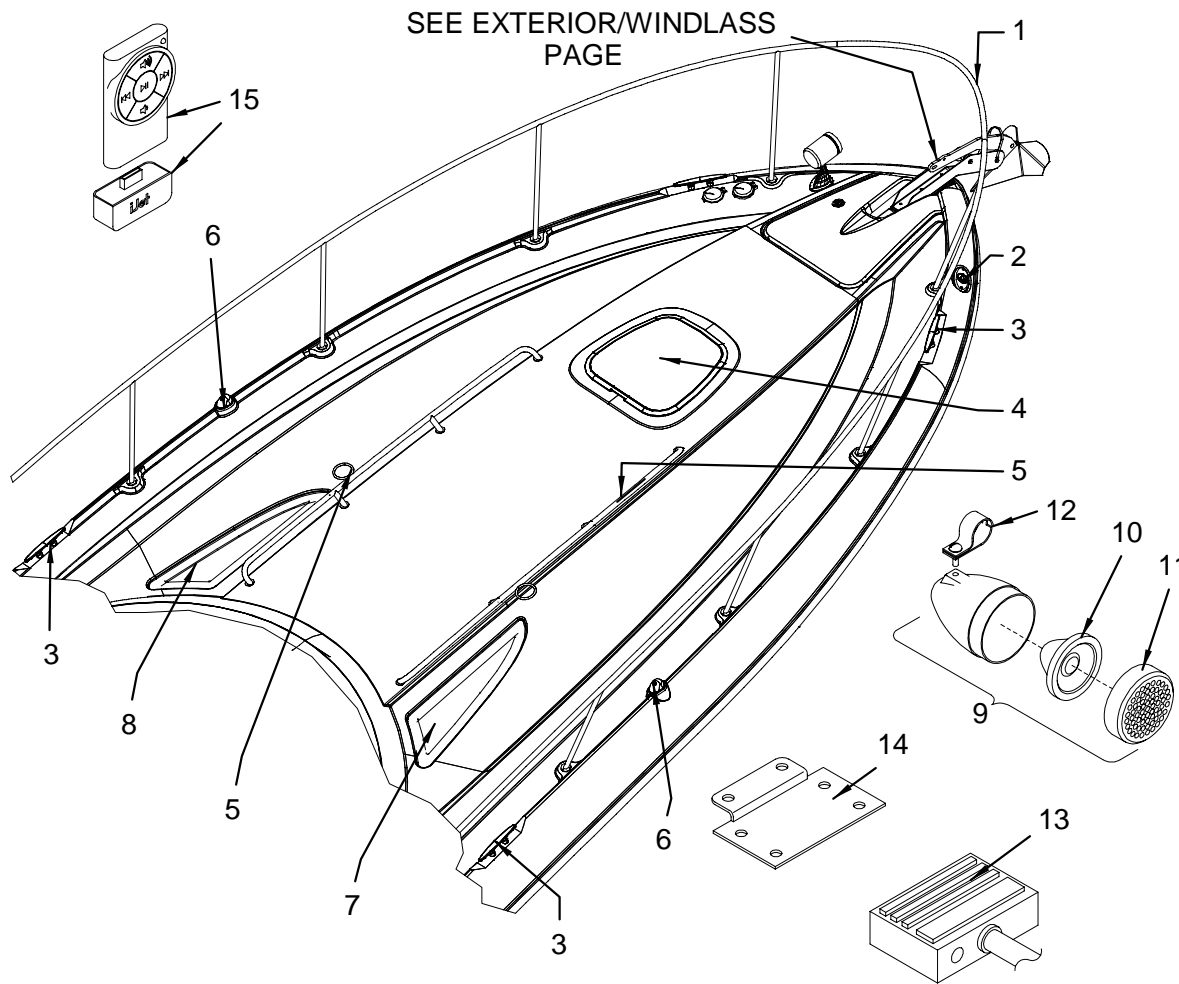
- 1 1795401 ROD HOLDER, FLUSH MNT SS 30DEG CONTR W/LOGO
- 1634344 CAP, RUBBER 2" ROD HOLDER BLK  
(PART OF 1795401)
- 147611 ADAPTER, BRASS 1/4"MPT X 3/8"BARB
- 916833 DRAIN, PUSH IN 3/8" WHT
- 124347 HOSE, PVC CLEAR 3/8"
- 2 1898694 FBRGLS PART, 350DA-08 BILGE VENT CAP STB ARW
- 1903631 COVER, HDPE 350DA-08 STB SCUPPER ARW
- 1908599 DAM, T/F 350DA-08 BILGE VENT WATER STB
- 1938884 PLATE, SS STB BILGE VENT INSERT MESH BLK  
(HULL# 1236 -> UP)
- 1938886 PLATE, SS STB BILGE VENT FRAME/SPCR BLK  
(HULL# 1236 -> UP)
- 1898698 PLATE, SS STB BLG VNT INSRT W/BLK FRAME/MESH  
(HULL# 1201 -> 1235)
- 3 1109313 DECK PLATE, GAS SS 1.5" RED CLR-CODE
- 522557 DECK PLATE, CAP W/CHAIN GAS/WATER  
(PART OF 1109313)
- 522599 KEY, DECK PLATE CAP  
(PART OF 1109313 & 1184746)
- 1184746 DECK PLATE, DSL SS 2"W/1.5"OUTLET GRN CLR-COD
- 4 1883884 SPEAKER, ALPINE 6.5"COAXIAL 100W WHT
- 1901707 BOX, V/F 350DA-08 STB TRNSM SPEAKER ARW
- 1901706 BOX, V/F 350DA-08 PRT TRNSM SPEAKER ARW
- 5 1777988 CLEAT, 10" SEA RAY SS 2-BOLT
- 1473040 PLATE, BACKING UNIVERSAL 3/16"

- 6 1898690 FBRGLS PART, 350DA-08 BILGE VENT CAP PRT ARW
- 1903630 COVER, HDPE 350DA-08 PRT SCUPPER ARW
- 1908601 DAM, T/F 350DA-08 BILGE VENT WATER PRT
- 1938882 PLATE, SS PRT BILGE VENT INSERT MESH BLK  
(HULL# 1236 -> UP)
- 1938883 PLATE, SS PRT BILGE VENT FRAME/SPCR BLK  
(HULL# 1236 -> UP)
- 1898697 PLATE, SS PRT BLG VNT INSRT W/BLK FRAME/MESH  
(HULL# 1201 -> 1235)
- 7 1109321 DECK PLATE, WATER SS BLUE CLR-CODE
- 522581 DECK PLATE, CAP W/CHAIN  
(PART OF 1109321)
- 522599 KEY, DECK PLATE CAP  
(PART OF 1109321)
- 8 791749 VENT, PLAS GRILL 4" WHT

**NOT SHOWN**

- 1675313 TAPE, NORSEAL 0.125"X 7/8"X 100' SWIVEL FREE  
(GUNWALE GASKET)
- 1784443 TABLE, HDPE BAIT/FILET MATE &LEVLOCK CMBO 31"  
(ACC'Y TABLE W/LEVELOCK GUNWALE ROD HOLDER)

**EXTERIOR (DECK) FORWARD**



**EXTERIOR (DECK) FORWARD**

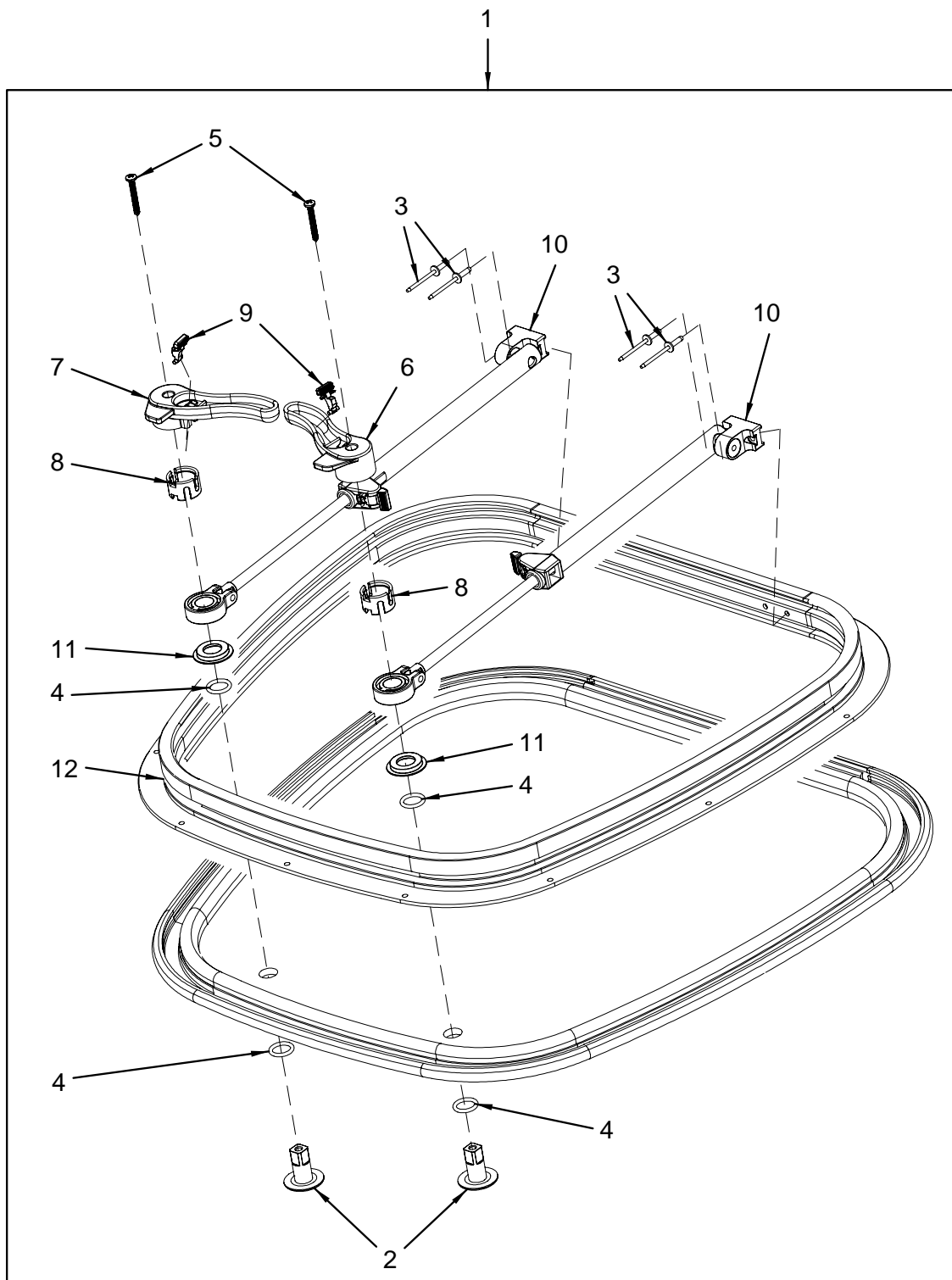
- 1 1889741 RAIL, BOW 350DA-08 CMPLT WELDED
- 1210038 PLATE, BACKING BOW RAIL ALUM 2" ROUND
- 2 1837054 HORN, SGL CONCEALED W/SS GRILL/CONN
- 1840005 HORN GRILL, SGL CONCEALED SS  
(PART OF 1837054)
- 3 1777988 CLEAT, 10" SEA RAY SS 2-BOLT
- 1473057 PLATE, BACKING CLEAT 1/4"X 2.5"X 5"
- 4 1898184 HATCH, DECK TRAPEZOID ARCW ULTRA 3  
(SEE TRAPEZOID DECK HATCH SECTION FOR HATCH PARTS  
BREAKDOWN)
- 1745363 GASKET, DECK HATCH TRAPEZOID
- 1764546 SCREEN, DECK TRAPEZOID SKYSCREEN MK5
- 1798386 SCREEN, DECK TRAPEZOID SKYSCREEN SHADE ONLY  
(PART OF 1764546)
- 1798387 SCREEN, DECK TRAPEZOID SKYSCREEN SCREEN ONLY  
(PART OF 1764546)
- 5 1901720 RAIL, DECK RUNNER 350DA-08 PRT/STB W/DRNKHLDLR  
(OPTION - SS DECK RUNNERS (W/FOLDING SUNPAD)
- 1918574 SPEAKER SYS, BE CREATIVE DECK RNR KIT  
(OPTION - SS DECK RUNNERS (W/FOLDING SUNPAD)
- 6 1771013 LIGHT, NAV SIDE SS HORZ 12V W/CONN
- 1423946 BULB, REPL FOR #1414895 12V  
(PART OF 1771013)
- 1798179 LIGHT, NAV SIDE SS LENS CVR ONLY(RED/PRT)  
(PART OF 1771013)
- 1798182 LIGHT, NAV SIDE SS LENS CVR ONLY(GRN/STB)  
(PART OF 1771013)

- 7 1851546 SKYLIGHT, GLASS 330DA-08 GRY TINT W/BDR STB
- 1049204 TAPE, FOAM SGL FACE BLK VINYL 1/4"X 1/4"
- 8 1851545 SKYLIGHT, GLASS 330DA-08 GRY TINT W/BDR PRT
- 1049204 TAPE, FOAM SGL FACE BLK VINYL 1/4"X 1/4"
- 9 1948308 SPEAKER SYS, BE CREATIVE DECK SPKR ASSY  
(PART OF 1918574)
- 10 1948309 SPEAKER SYS, BE CREATIVE DECK INTERNAL SPKR  
(PART OF 1918574)
- 11 1948310 SPEAKER SYS, BE CREATIVE DECK SPKR GRILL PR  
(PART OF 1918574)
- 12 1948315 SPEAKER SYS, BE CREATIVE DECK SPKR P-CLMPS  
(PART OF 1918574)
- 13 1948313 SPEAKER SYS, BE CREATIVE DECK AMP ONLY  
(PART OF 1918574)
- 14 1948314 SPEAKER SYS, BE CREATIVE DECK AMP MNT BRKT  
(PART OF 1918574)
- 15 1948316 SPEAKER SYS, BE CREATIVE DECK I-POD REMOTE  
(PART OF 1918574)
- 1948317 SPEAKER SYS, BE CREATIVE DECK I-POD CHRGR CBL  
(PART OF 1918574)

**HARNESSES**

- 1948311 SPEAKER SYS, BE CREATIVE DECK SPKR WIRE  
(PART OF 1918574)
- 1948312 SPEAKER SYS, BE CREATIVE DECK AMP HRNS  
(PART OF 1918574)

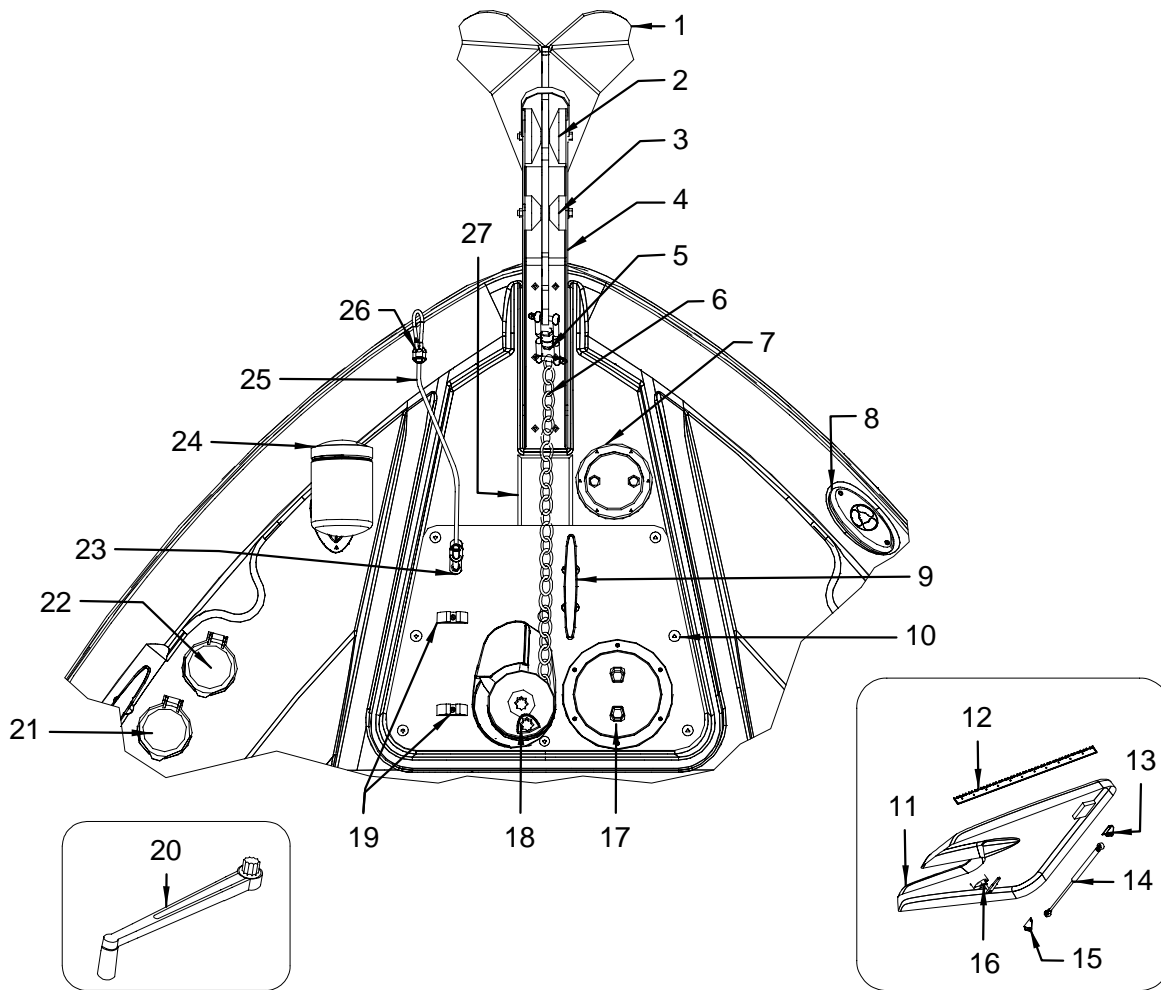
TRAPEZOID DECK HATCH



**TRAPEZOID DECK HATCH**

- 1 1898184 HATCH, DECK TRAPEZOID ARCW ULTRA 3
- 2 1937421 HATCH, POST  
(PART OF 1899184)
- 3 1937425 HATCH, SSB6-6S MARSON RIVET  
(PART OF 1899184)
- 4 1937428 HATCH, POST O RING  
(PART OF 1899184)
- 5 1937429 HATCH, SCREW #10  
(PART OF 1899184)
- 6 1937432 HATCH, HANDLE RIGHT  
(PART OF 1899184)
- 7 1937434 HATCH, HANDLE LEFT  
(PART OF 1899184)
- 8 1937435 HATCH, PIVOT ADAPTER  
(PART OF 1899184)
- 9 1937436 HATCH, PIVOT LOCK  
(PART OF 1899184)
- 10 1937437 HATCH, UL3 9" BODY W/11" RACK  
(PART OF 1899184)
- 11 1937438 HATCH, SHADE SPACER  
(PART OF 1899184)
- 12 1937440 HATCH, TRAP CVR ASSY  
(PART OF 1899184)

**EXTERIOR/WINDLASS**



**EXTERIOR/WINDLASS**

- |    |         |   |         |         |  |
|----|---------|---|---------|---------|--|
| 1  | 1733352 | ANCHOR, 25LB PLOW                                 | 16      | 1781437 | LATCH, COMPRESSION 2" N/LOCKING SS             |
| 2  | 1727453 | ROLLER, ANCHOR DAVIT F/1073097/1784251            |         | 1781439 | CATCH, PAWL 2" OFFSET SHORT SS                 |
| 3  | 1850682 | ROLLER, ANCHOR DAVIT SML F/1073097                |         | 1781440 | PLATE, DEEP BRKT 2" W/HDWR PKG SS              |
| 4  | 1246396 | DAVIT, ANCHOR W/4" ROLLER 3/8" BAIL RV1           |         | 1499151 | PLATE, STRIKER XL "L" SHAPED 316 SS            |
|    | 1727453 | ROLLER, ANCHOR DAVIT F/1073097/1784251            | 17      | 983700  | ACCESS PLATE, POLYPROP SCREW-OUT 6" WHT        |
|    |         | (PART OF 1246396)                                 | 18      | 1853433 | WINDLASS, RP/CHN ANTARES 1000 W/2FTS W/SLNOID  |
|    | 1850682 | ROLLER, ANCHOR DAVIT SML F/1073097                |         | 1874393 | WINDLASS, SOLENOID 12V ASTER700/ANTARES1000    |
|    |         | (PART OF 1246396)                                 |         | 1884138 | WINDLASS, FOOTSWITCH UP WHT                    |
| 5  | 1145275 | ANCHOR SHACKLE, JAW/JAW SWIVEL HVY DTY 3/8"       |         |         | (PART OF 1853433)                              |
| 6  | 1788177 | ROPE/CHN KIT, LOFRANS 9/16" X 200' 5/16" X 25' HT | 140509  |         | BOOT, ENG STARTER RED                          |
|    | 489575  | CHAIN, HIGH TEST 5/16" X 125'                     | 644609  |         | SOLENOID, MAGNET LATCHING 12V 100A/500A W/HDWR |
|    |         | (WINDLASS - CHAIN OPTION)                         | 651869  |         | SOLENOID, MAGNET LATCHING LEAD ONLY            |
|    | 1048743 | CHAIN STOP, SS W/LANYARD (WINDLINE)               | 1959921 |         | WINDLASS, FOOTSW CVR W/UP/DWN LABELS WHT       |
|    |         | (WINDLASS - CHAIN OPTION)                         | 1959924 |         | WINDLASS, FOOTSW RUBBER INSERT GRY             |
| 7  | 1887047 | WASHDOWN SYSTEM, BOW W/10" TUBE/LID/SPRYR/HOSE    | 19      | 590646  | CLIP, POLE STRG BLK - MAST LIGHT               |
| 8  | 1837054 | HORN, SGL CONCEALED W/SS GRILL/CONN               | 20      | 1874399 | WINDLASS, BENT CLUTCH HANDLE ANTARES1000/1500  |
|    | 1840005 | HORN GRILL, SGL CONCEALED SS                      |         |         | (PART OF 1853433)                              |
|    |         | (PART OF 1837054)                                 | 21      | 1884138 | WINDLASS, FOOTSWITCH UP WHT                    |
|    |         |   |         |         | (PART OF 1853433)                              |
| 9  | 1777987 | CLEAT, 8" SEA RAY SS 2-BOLT                       | 22      | 1884137 | WINDLASS, FOOTSWITCH DOWN WHT                  |
|    | 1473040 | PLATE, BACKING UNIVERSAL 3/16"                    |         |         | (PART OF 1853433)                              |
| 10 | 1898402 | PLATE, ALUM 3/8 X 16 5/8 X 24 7/16 WNDLS MNTG ARW | 23      | 697508  | EYE, BOW 3/8" X 2.75"                          |
| 11 | 1907443 | 350DA 08, HATCH, ROPE LCKR FBRGLS                 |         | 793471  | PLATE, BACKING UNIVERSAL 3/16"                 |
| 12 | 1836186 | HINGE, SS CONT 2" X 23" POLISHED                  | 24      | 1754590 | SPOTLIGHT, 5" SS GUEST                         |
| 13 | 634550  | BRACKET, SS GAS CYL 90 DEG L-BRKT W/BALL LONG     |         | 1759435 | BULB, REPL FOR #1754590 SPOTLIGHT              |
| 14 | 1425404 | CYLINDER, GAS SS 30PSI 20" EXT X 12" COMP         |         |         | (PART OF 1754590)                              |
| 15 | 634592  | BRACKET, SS GAS CYL FLAT W/BALL STUD              |         |         |  |

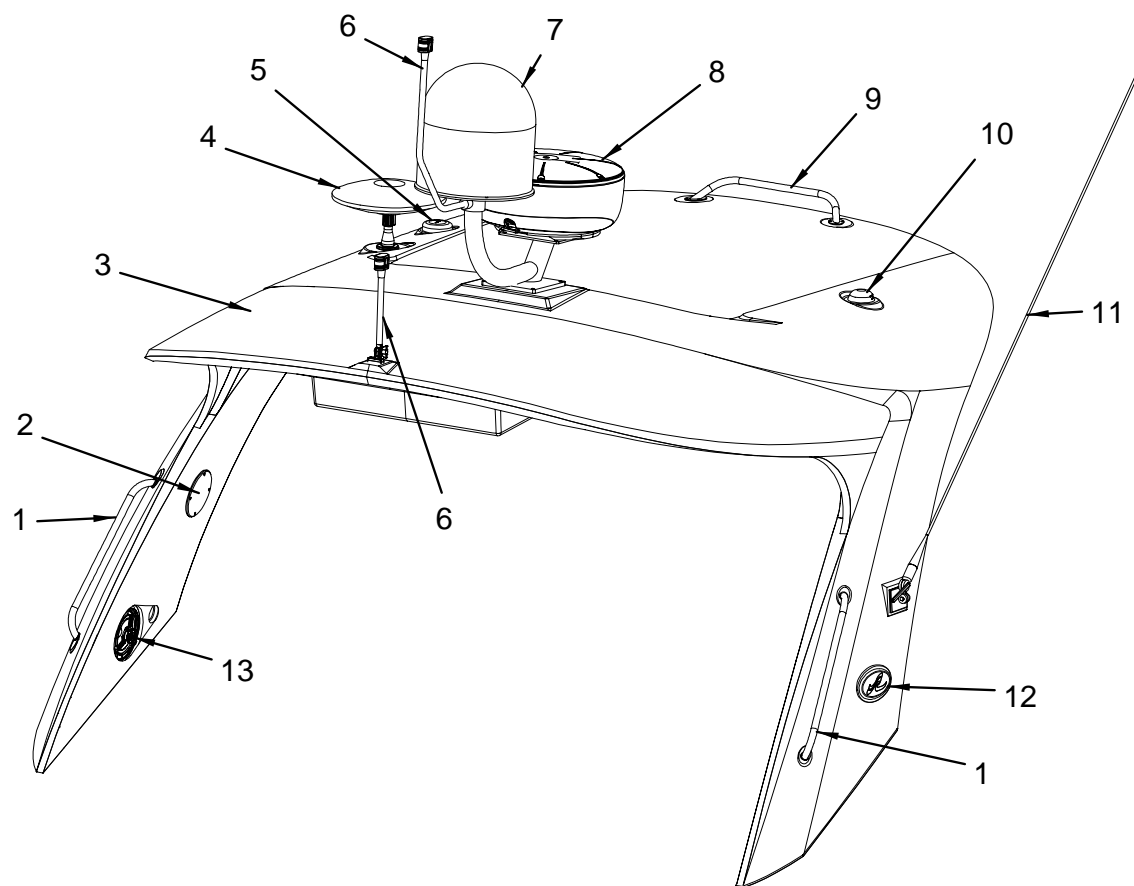


24 1757404 HARNESS, SPOTLIGHT ASSY 35' W/MALE CONN  
25 805499 LANYARD, CABLE ANCHOR 1/8"X 16"SS  
26 819334 HOOK, SNAP 5/16"X 3 1/8" SS  
27 1884216 GUARD, HDPE 1/2"X 3.5"X 5" WNDLS CHAIN ARW

**NOT SHOWN**

1897328 ROD, THREAD 8MM X 6MM X 8 SS 08/35  
418632 LANYARD, W/TAB/RING  
795583 BUSS BAR, SGL POST 5/16"

EXTERIOR (HARDTOP)



**EXTERIOR (HARDTOP)**

- 1 1747838 RAIL, GRAB 24" STRMLN W/STUD FLANGES 316L
- 2 137349 ACCESS PLATE, PLAS CVR 5" WHT
- 3 1901726 FBRGLS PART, 350DA-08 HRDTOP
- 4 792325 ANTENNA, TV GLOMAX ASSY W/CONN
- 1803748 MOUNT, ANTENNA TV GLOMAX ASSY W/CONN  
(PART OF 792325)
- 881383 GASKET, GLOMAX TV GPS MOUNT BLK
- 5 1800496 GPS, RAYSTAR RS125 SENSOR NMEA & SEATALK  
(RAYMARINE C120 - CHART PLOTTER /GPS / RADAR)(CHART  
PLOTTER - SINGLE RAYMARINE C120)
- 788711 MOUNT, ANTENNA DECK GPS SS  
(RAYMARINE C120 - CHART PLOTTER /GPS / RADAR)(CHART  
PLOTTER - SINGLE RAYMARINE C120)
- 6 1805560 LIGHT, NAV MASTHEAD COMBO 24" FOLD-DOWN
- 659466 BULB, DBL END CLEAR 12V  
(PART OF 1805560)
- 1803549 LIGHT, NAV MASTHEAD COMBO 30" FOLD-DOWN  
(DSS SATELLITE TV.SYS. KVH-M3 - 120V/60 ONLY)
- 7 1907407 ANTENNA, DSS TRAC VISION M3 ST W/KVH MOBL REC  
(DSS SATELLITE TV.SYS. KVH-M3 - 120V/60 ONLY)
- 1849334 SUPPORT, ALUM SATELLITE KVH M3/JRC RADAR WHT  
(DSS SATELLITE TV.SYS. KVH-M3 - 120V/60 ONLY)
- 1909175 VIDEO, DIGITAL AUDIO MODULATOR TRACVISION M3  
(DSS SATELLITE TV.SYS. KVH-M3 - 120V/60 ONLY)
- 1779735 CABLE, COAXIAL RG6 1000' WHT  
(DSS SATELLITE TV.SYS. KVH-M3 - 120V/60 ONLY)
- 8 1839231 RADAR, RAYMARINE 2KW 18" RADOME N/CABLE
- 1523901 ACCESS PLATE, PLAS SPOILER 8.75" ARW
- 1879739 CABLE, RAYDOME 5M W/90DEG CONN
- 1875619 EXTENSION, CABLE 5M RAYDOME 90DEG
- 881383 GASKET, GLOMAX TV GPS MOUNT BLK
- 1882099 SUPPORT, ALUM NRTHSTR/RAYMAR RADAR WHT
- 9 1903483 RAIL, GRAB 7/8"OD X21.5"W/119DG BND 316SS WHT
- 10 1890164 ANTENNA, SHAKESPEARE SIRIUS SAT RADIO RV1
- 11 1777084 ANTENNA, 8"PREMIUM VHF ANTENNA W/CONN
- 1481258 MOUNT, RATCHET VHF SS W/GROMET & GASKET
- 12 1443225 EMBLEM, S/R WAVE 8" OVAL CHR TRNSM
- 13 1690557 SPEAKER, COAXIAL 6.5" N/CVR
- 1877940 SPEAKER, JL 6.5"COAXIAL 150W/4OHMS  
(PREMIUM COCKPIT SOUND SYSTEM - 12 VOLT)

**COCKPIT TV**

- 1906108 TELEVISION, 15" ASV SHARP LCD BLK  
(HULL# 1275 -> UP)
- (TV 15" FLATSCREEN W/ REMOTE DVD - COCKPIT)
- 1909906 REMOTE, TV 15" SHARP ASV SHARP LCD  
(HULL# 1275 -> UP)(PART OF 1906108)
- 1852692 TELEVISION, 15"LG LCD HDTV BLK W/BTM SPKR  
(HULL# 1202 -> 1274)
- 1872710 REMOTE, TV 15"LG LCD HDTV BLK W/BTM SPKR  
(HULL# 1202 -> 1274)(PART OF 1852692)
- 1890626 TELEVISION, 15" TOSHIBA PAL 15VL63G  
(PAL T.V. TUNER/TV 15" FLATSCREEN COCKPIT )
- 1897153 REMOTE, TV 15"/20" TOSHIBA  
(PART OF 1890626)
- 1808561 BRACKET, SS 44DB-06 CKPT TV  
(TV 15" FLATSCREEN W/ REMOTE DVD - COCKPIT)
- 122853 FITTING, WATER TIGHT OUTLET FOR 5/16" CBL  
(TV 15" FLATSCREEN W/ REMOTE DVD - COCKPIT)
- 145086 COVER PLATE, SGL DUPLEX RECEPT GRY  
(TV 15" FLATSCREEN W/ REMOTE DVD - COCKPIT)
- 703306 SPLITTER, 4-WAY  
(TV 15" FLATSCREEN W/ REMOTE DVD - COCKPIT)
- 864306 CONN, COAX 'F' TWIST-ON  
(TV 15" FLATSCREEN W/ REMOTE DVD - COCKPIT)
- 1790252 EXTENSION, CABLE A/V 50' RCA W/MALE CONN  
(TV 15" FLATSCREEN W/ REMOTE DVD - COCKPIT)

**HARNESSES**

- 1905998 HARNESS, 350DA-08 TV/DVD CKPT COAX  
(TV 15" FLATSCREEN W/ REMOTE DVD - COCKPIT)

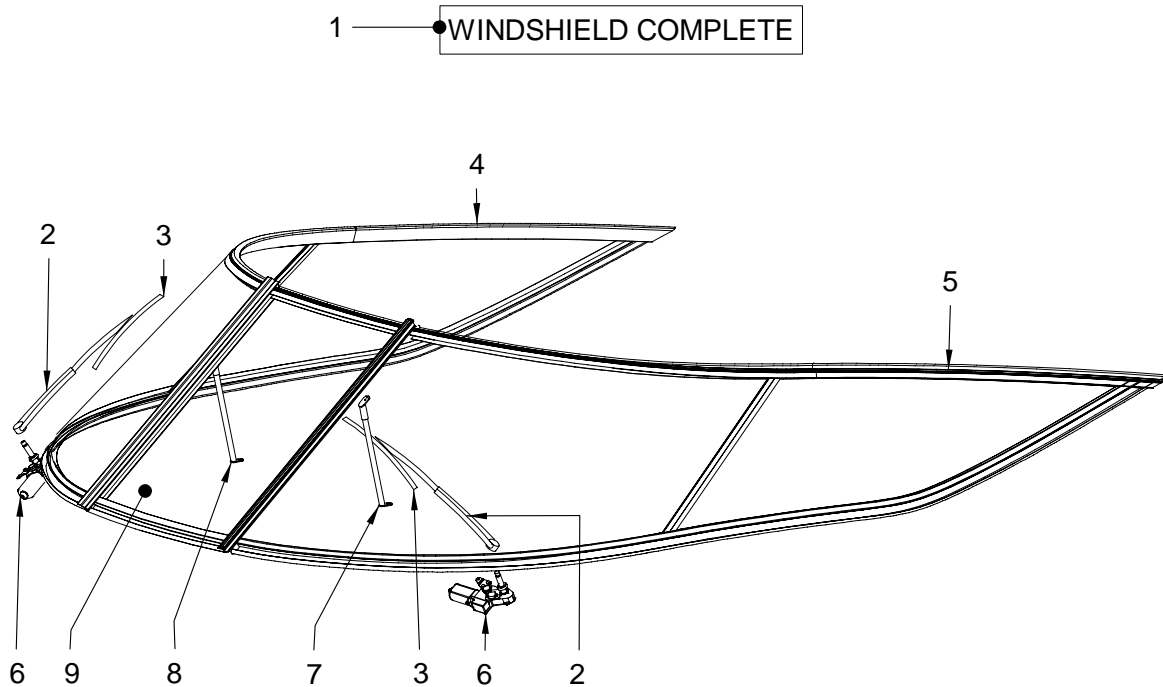
**LIGHTS**

- 1771019 LIGHT, NAV STERN FLUSH MT CKPT W/CONN
- 1200369 BULB, REPL FOR #0137380/#0783670  
(PART OF 1771019)

**NOT SHOWN**

- 1220441 TAPE, FOAM SGL FACE WHT VINYL 3/8"X 72YD
- 1907505 COVER, PLEX ACCESS 1/4"X6 7/8"X25 7/8"ARW
- 1907506 COVER, PLEX ACCESS 1/4"X16 9/16"X25 7/8"ARW
- 1625078 PLATE, SS SPOILER MNT W/2STUD 1/2"X3.5"
- 728014 TRACK, VINYL AWNING WHITE "FLEX-A-RAIL" 7.5'  
(ATTACHED TO HARDTOP FOR CANVAS)

**EXTERIOR (WINDSHIELD)**



**EXTERIOR (WINDSHIELD)**

- 1 1897652 W/S, 350DA-08 ALUM CMLPT
- 1897655 W/S, 350DA-08 SS CMLPT
- 1785544 VINYL, W/S GASKET 2005
- 2 1918963 WIPER ARM, 22" FLEX BLK
- 3 1749058 WIPER BLADE, 20" FLEX BLK (AM)
- 4 1907849 W/S, 350DA-08 ALUM STB FRNT/WNG
- 5 1907850 W/S, 350DA-08 ALUM PRT FRNT/WNG
- 6 1748551 WIPER MOTOR, 100 DEG (AM)
- 1815895 SHIM, HDPE 3/4" X 1 3/8" RND W/5/8" HOLE
- 1774618 HARNESS, MOTOR AM WIPER 6" PIGTAIL W/CONN
- 7 1897862 SUPPORT, W/S 350DA-08 PRT
- 8 1897863 SUPPRT, W/S 350DA-08 STB
- 9 1907851 W/S, 350DA-08 ALUM CTR
- 1897148 LATCH, W/S WALK THRU DOOR HLDR SS"

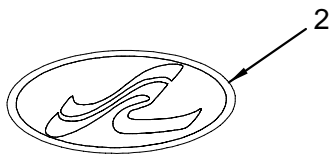
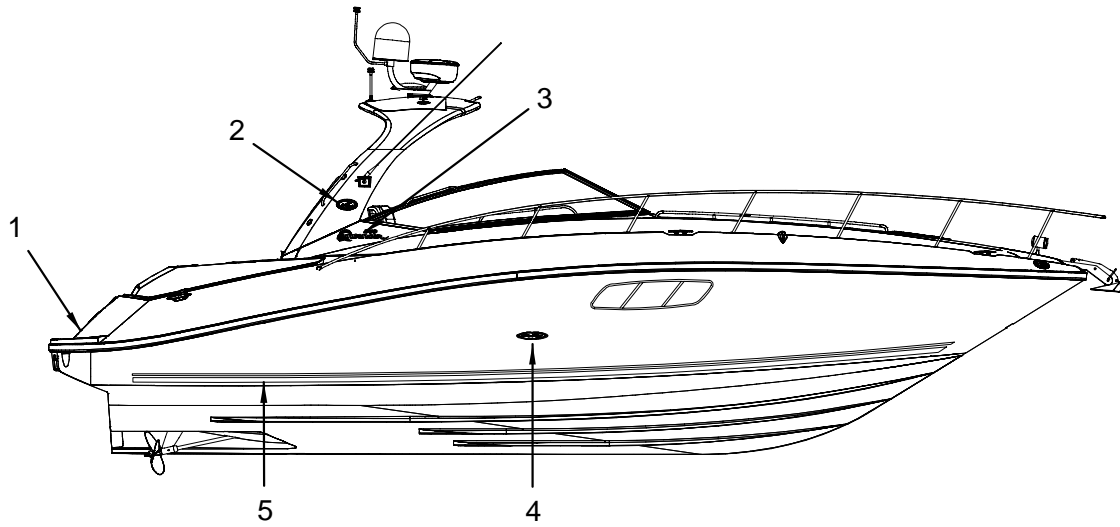
**HARDWARE**

- 1907852 W/S, 350DA-08 SS HDWR KIT

**NOT SHOWN**

- 1747835 RAIL, GRAB 24" STRMLN .75" TUBE N/ STUD 316L
- 156893 WEBBING, POLYPROPYLENE 1" BLACK

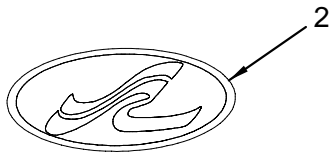
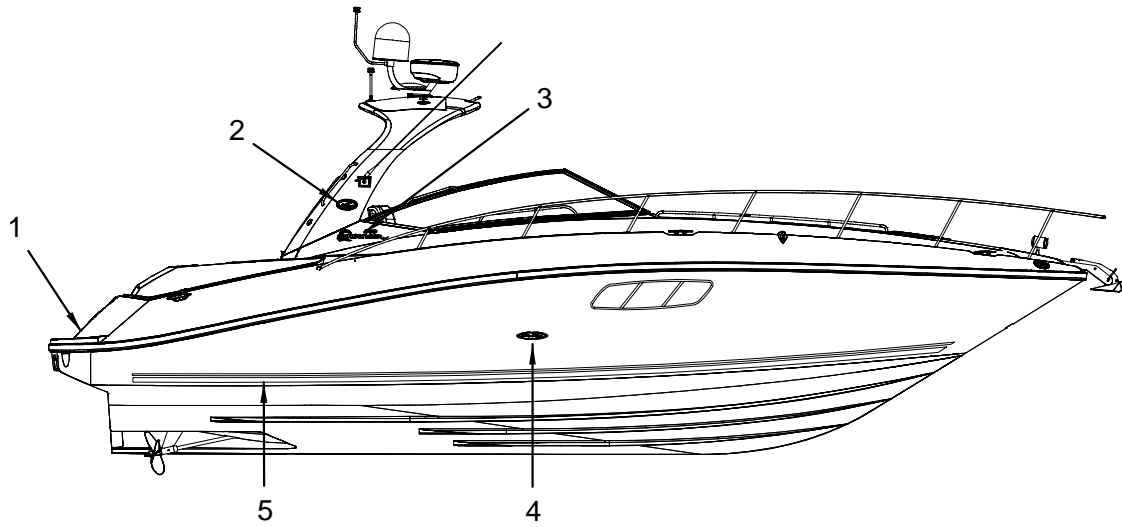
EXTERIOR (GRAPHICS) NO TWO-TONE BLUE



EXTERIOR (GRAPHICS) NO TWO-TONE BLUE

- 1 1897954 EMBLEM, MODEL DESG 350 URETHANE BLK W/CHR
- 1727014 EMBLEM, MODEL DESG 375 URETHANE BLK W/CHR  
("375DA" MODEL DESIGNATORS - EURO ONLY)
- 2 1443225 EMBLEM, S/R WAVE 8" OVAL CHR TRNSM
- 3 1756555 DECAL, "SUNDANCER" DKBL/SLVR MET
- 4 1443183 EMBLEM, "SEA RAY" SCRIPT HULL LOGO CHR 13"
- 5 1753015 TAPE, SOLID 3" WHT/WELL AMETHYST NVOID
- 1756549 TAPE, M/S 4"W/1"VOID DKBL/SLVR MET

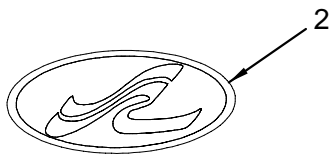
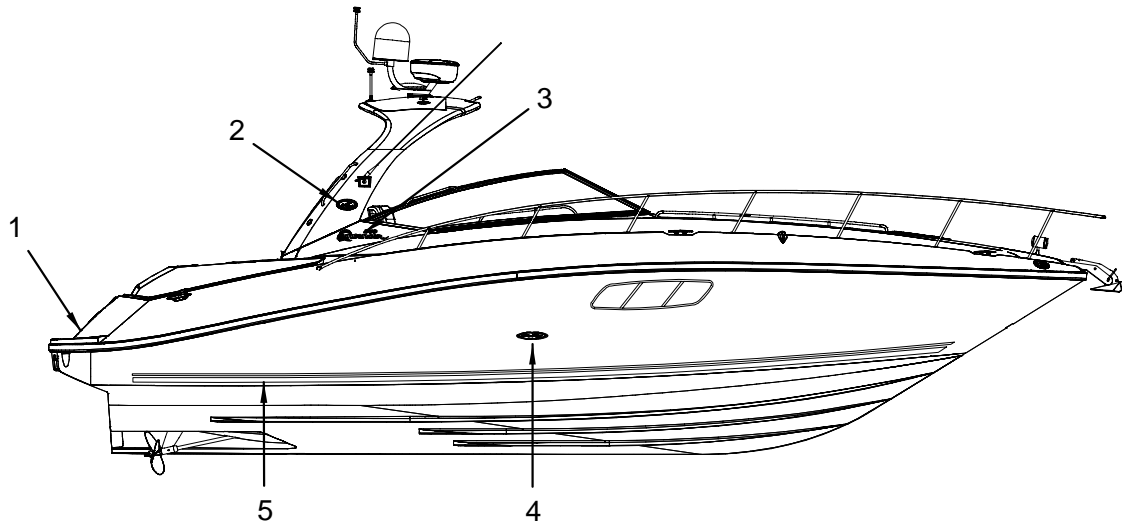
**EXTERIOR (GRAPHICS) NO TWO-TONE BLACK**



**EXTERIOR (GRAPHICS) NO TWO-TONE BLACK**

- 1 1897954 EMBLEM, MODEL DESG 350 URETHANE BLK W/CHR
- 2 1443225 EMBLEM, S/R WAVE 8" OVAL CHR TRNSM
- 3 1756554 DECAL, "SUNDANCER" BLK/SLVR MET
- 1897954 EMBLEM, MODEL DESG 350 URETHANE BLK W/CHR
- 4 1443183 EMBLEM, "SEA RAY" SCRIPT HULL LOGO CHR 13"
- 5 1756548 TAPE, M/S 4"W/1"VOID BLK/SLVR MET

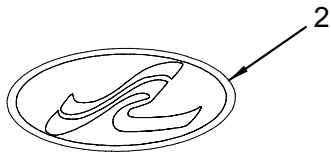
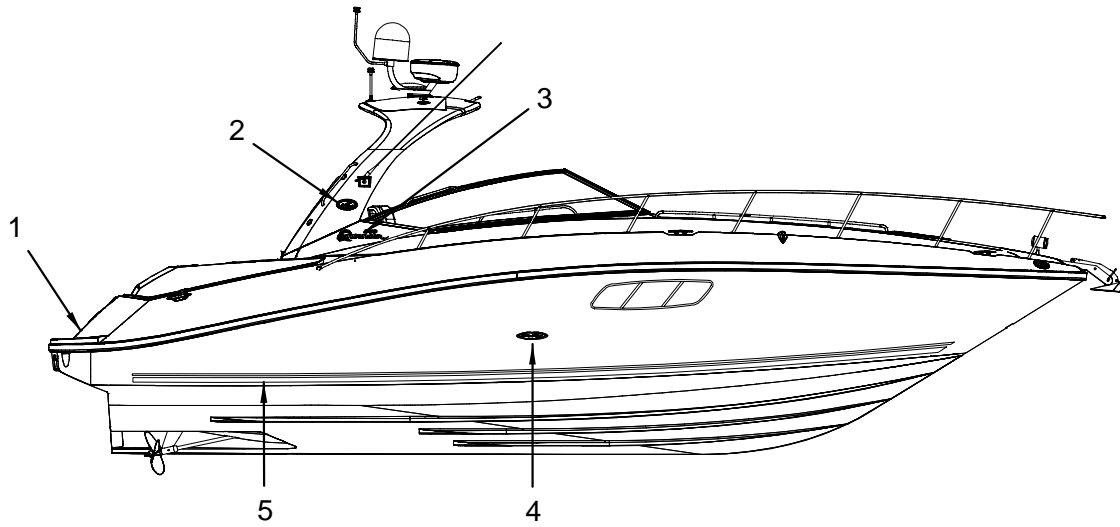
EXTERIOR (GRAPHICS) TWO-TONE BLUE



EXTERIOR (GRAPHICS) TWO-TONE BLUE

- 1 1897954 EMBLEM, MODEL DESG 350 URETHANE BLK W/CHR
- 2 1443225 EMBLEM, S/R WAVE 8" OVAL CHR TRNSM
- 3 1756555 DECAL, "SUNDANCER" DKBL/SLVR MET
- 1897954 EMBLEM, MODEL DESG 350 URETHANE BLK W/CHR
- 4 1443183 EMBLEM, "SEA RAY" SCRIPT HULL LOGO CHR 13"
- 5 1753015 TAPE, SOLID 3" WHT/WELL AMETHYST NVOID

**EXTERIOR (GRAPHICS) TWO-TONE BLACK**

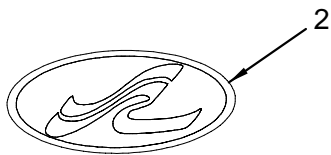
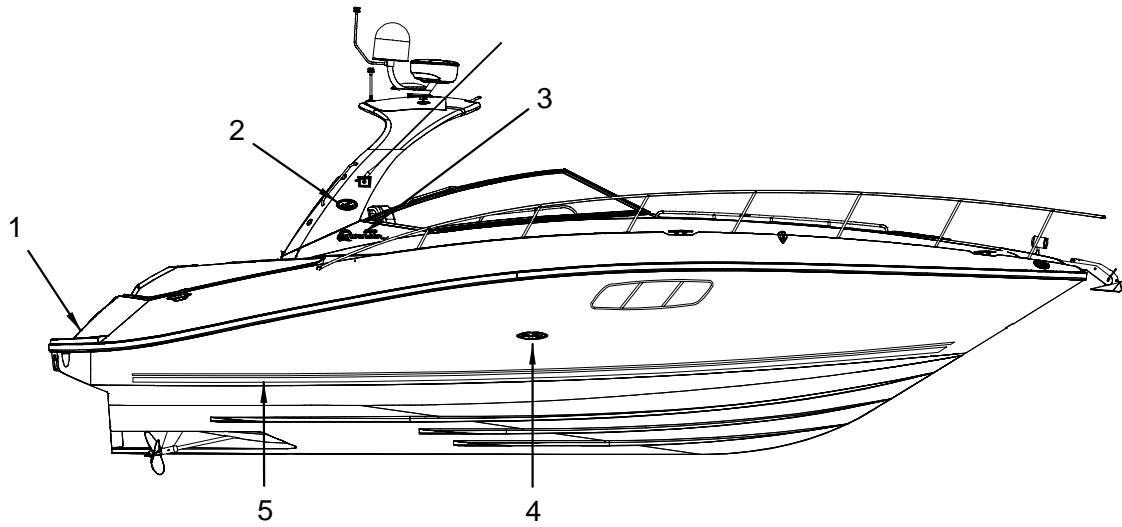


**EXTERIOR (GRAPHICS) TWO-TONE BLACK**

- 1 1897954 EMBLEM, MODEL DESG 350 URETHANE BLK W/CHR
- 2 1443225 EMBLEM, S/R WAVE 8" OVAL CHR TRNSM
- 3 1756554 DECAL, "SUNDANCER" BLK/SLVR MET
- 1897954 EMBLEM, MODEL DESG 350 URETHANE BLK W/CHR
- 4 1443183 EMBLEM, "SEA RAY" SCRIPT HULL LOGO CHR 13"
- 5 1753015 TAPE, SOLID 3" WHT/WELL AMETHYST N/VOID
- 1804765 TAPE, SOLID 3" PRL WHT/BLKMET N/VOID



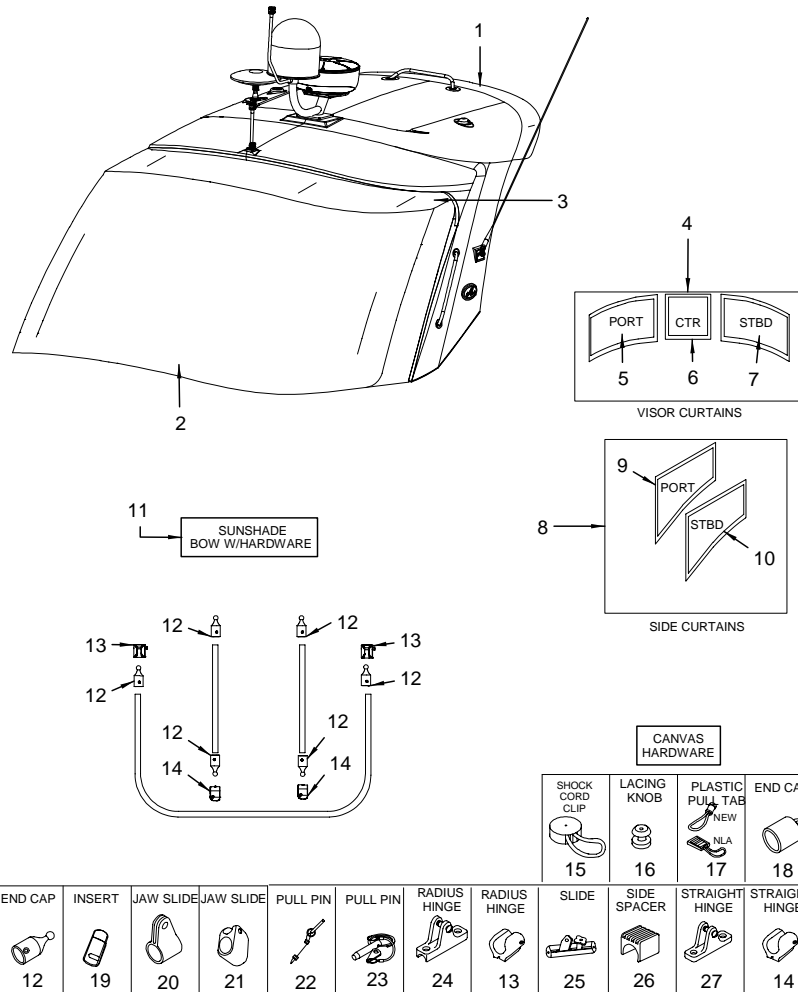
**EXTERIOR (GRAPHICS) TWO TONE - PEWTER**



**EXTERIOR (GRAPHICS) TWO TONE - PEWTER**

- 1 1897954 EMBLEM, MODEL DESG 350 URETHANE BLK W/CHR
- 2 1443225 EMBLEM, S/R WAVE 8" OVAL CHR TRNSM
- 3 1756554 DECAL, "SUNDANCER" BLK/SLVR MET
- 1897954 EMBLEM, MODEL DESG 350 URETHANE BLK W/CHR
- 4 1443183 EMBLEM, "SEA RAY" SCRIPT HULL LOGO CHR 13"
- 5 1756548 TAPE, M/S 4"W/1"VOID BLK/SLVR MET

**CANVAS (BLACK)**



**CANVAS (BLACK)**

- |           |   |            |   |
|-----------|---|------------|---|
| 1 1898181 | CANVAS, 350DA-08 SNSHD TOP BLK              | 9 1910973  | CANVAS, 350DA-08 SPLR SIDE CURT/AL PRT BLK    |
| 2 1907419 | CANVAS, 350DA-08 HRDTP AFT CURT BLK         | 1910974    | CANVAS, 350DA-08 SPLR SIDE CURT/SS PRT BLK    |
| 3 1897958 | CANVAS, 350DA-08 SNSHD AFT CURT BLK         | 10 1910979 | CANVAS, 350DA-08 HRDTP SIDE CURT/AL STB BLK   |
| 4 1907413 | CANVAS, 350DA-08 HRDTP VSR/AL W/S 3PC BLK   | 1910980    | CANVAS, 350DA-08 HRDTP SIDE CURT/SS STB BLK   |
| 1907426   | CANVAS, 350DA-08 HRDTP VSR/SS W/S 3PC BLK   | 1910975    | CANVAS, 350DA-08 SPLR SIDE CURT/AL STB BLK    |
| 1897967   | CANVAS, 350DA-08 SPLR VSR/AL W/S 3PC BLK    | 1910976    | CANVAS, 350DA-08 SPLR SIDE CURT/SS STB BLK    |
| 1908297   | CANVAS, 350DA-08 SPLR VSR/SS W/S 3PC BLK    | 11 1897957 | FRAME, SS 350DA-08 SNSHD TOP CNVS 1"OD X16GA  |
| 5 1910963 | CANVAS, 350DA-08 HRDTP VSR/AL W/S PRT BLK   | 12 1760354 | CAP, SS EYE END BALL/SOCKET TYPE              |
| 1910964   | CANVAS, 350DA-08 HRDTP VSR/SS W/S PRT BLK   | 13 1760357 | HINGE, DECK RADIUS BALL/SOCKET TYPE SS        |
| 1910969   | CANVAS, 350DA-08 SPLR VSR/AL W/S PRT BLK    | 14 1760356 | HINGE, DECK FLAT BALL/SOCKET TYPE SS          |
| 1910970   | CANVAS, 350DA-08 SPLR VSR/SS W/S PRT BLK    | 15 1778676 | CLIP, SHOCKCORD/CVR WHT W/ELAS 04             |
| 6 1910960 | CANVAS, 350DA-08 HRDTP VSR/AL W/S CTR BLK   | 16 1761645 | KNOB, SHOCKCORD LACING                        |
| 1910962   | CANVAS, 350DA-08 HRDTP VSR/SS W/S CTR BLK   | 17 1898301 | CLIP, WHT TAB ZIP PULL W/1/8"X5" CORD         |
| 1910967   | CANVAS, 350DA-08 SPLR VSR/AL W/S CTR BLK    | 1778677    | (REPLACED 1778677)                            |
| 1910968   | CANVAS, 350DA-08 SPLR VSR/SS W/S CTR BLK    | 18 221085  | CLIP, WHT PLAS TAB W/CORD                     |
| 7 1910965 | CANVAS, 350DA-08 HRDTP VSR/AL W/S STB BLK   | 19 1760358 | CAP, SS EYE END 7/8"                          |
| 1910966   | CANVAS, 350DA-08 HRDTP VSR/SS W/S STB BLK   | 20 439307  | INSERT, DECK HINGE BALL/SOCKET BLK            |
| 1910971   | CANVAS, 350DA-08 SPLR VSR/AL W/S STB BLK    | 21 1760355 | SLIDE, JAW SLIDE 7/8"                         |
| 1910972   | CANVAS, 350DA-08 SPLR VSR/SS W/S STB BLK    | 1760596    | SLIDE, JAW SLIDE BALL/SOCKET TYPE SS          |
| 8 1907416 | CANVAS, 350DA-08 HRDTP SIDE CURT/AL W/S BLK | 22 1760595 | SCREW, SLOT PAN BALL/SOCKET JAW SLIDE         |
| 1907423   | CANVAS, 350DA-08 HRDTP SIDE CURT/SS W/S BLK | 23 1357854 | PIN, PULL BALL/SOCKET TYPE W/RING LNYRD BLK   |
| 1897964   | CANVAS, 350DA-08 SPLR SIDE CURT/AL W/S BLK  | 24 174953  | PIN, PULL 1.25" TOGGLE W/RING LNYRD SPRING SS |
| 1908294   | CANVAS, 350DA-08 SPLR SIDE CURT/SS W/S BLK  | 25 1536069 | HINGE, DECK CONCAVE 1" SS CONV TOP            |
| 9 1910977 | CANVAS, 350DA-08 HRDTP SIDE CURT/SS PRT BLK | 1536051    | SLIDE, W/S CANVAS TRACK STBD                  |
| 1910978   | CANVAS, 350DA-08 HRDTP SIDE CURT/AL PRT BLK | 1738744    | SLIDE, W/S CANVAS TRACK PORT                  |
|           |   |            | KNOB, W/S CANVAS TRACK PRT & STB              |

26 580688 SPACER, SIDE CURTAIN 7/8"  
27 174995 HINGE, DECK FLAT 1" CONV TOP SS

**COCKPIT COVER**

1908186 CANVAS, 350DA-08 HRDTP CPC W/VNTS/AL W/S BLK  
1908194 CANVAS, 350DA-08 HRDTP CPC W/VNTS/SS W/S BLK  
1908179 CANVAS, 350DA-08 SPLR CPC W/VNTS/AL W/S BLK  
1908183 CANVAS, 350DA-08 SPLR CPC W/VNTS/SS W/S BLK

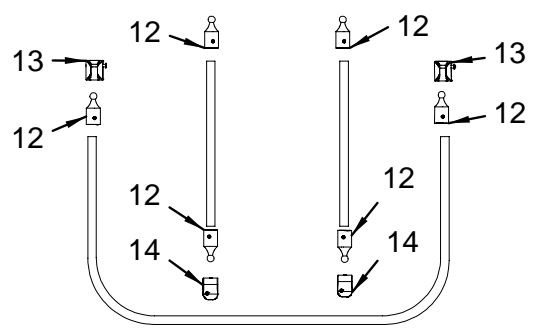
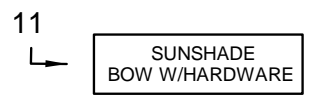
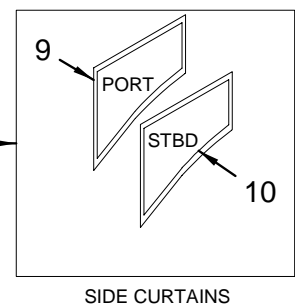
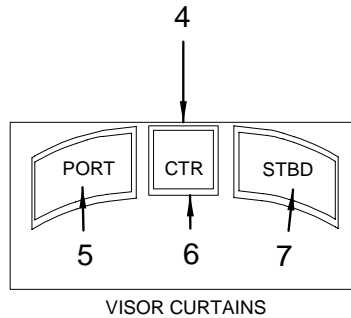
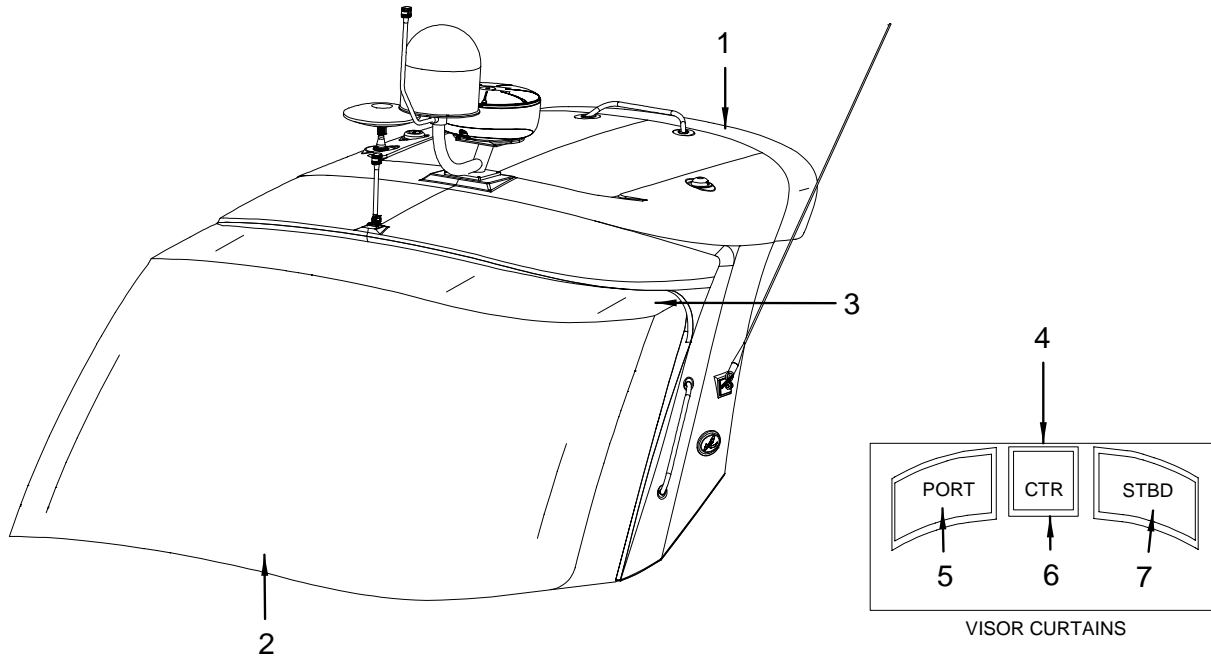
**DASH COVER**

1905717 CANVAS, 350DA-08 DASH CVR SGL CNTRL CADGRY  
1905718 CANVAS, 350DA-08 DASH CVR DUAL CNTRL CADGRY

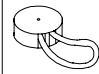



**STORAGE BAG**







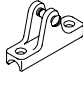

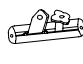

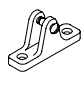

788547 CANVAS, STRG BAG 10X60 LRG GREY 95

CANVAS (BLUE - MARINE MIDNIGHT)



CANVAS HARDWARE

SHOCK CORD CLIP  15	LACING KNOB  16	PLASTIC PULL TAB NEW NLA  17	END CAP  18
---	--	---	--

END CAP  12	INSERT  19	JAW SLIDE  20	JAW SLIDE  21	PULL PIN  22	PULL PIN  23	RADIUS HINGE  24	RADIUS HINGE  13	SLIDE  25	SIDE SPACER  26	STRAIGHT HINGE  27	STRAIGHT HINGE  14
--	---	--	--	---	---	---	---	---	--	---	---

## CANVAS (BLUE - MARINE MIDNIGHT)

1	1898182	CANVAS, 350DA-08 SNSHD TOP MRN MDNT
2	1907420	CANVAS, 350DA-08 HRDTP AFT CURT MDNT
3	1897962	CANVAS, 350DA-08 SNSHD AFT CURT MRN MDNT
4	1907414	CANVAS, 350DA-08 HRDTP VSR/AL W/S 3PC MRNMDNT
	1907427	CANVAS, 350DA-08 HRDTP VSR/SS W/S 3PC MRNMDNT
	1897968	CANVAS, 350DA-08 SPLR VSR/AL W/S 3PC MRN MDNT
	1908298	CANVAS, 350DA-08 SPLR VSR/SS W/S 3PC MRN MDNT
5	1910983	CANVAS, 350DA-08 HRDTP VSR/AL W/S PRT MDNT
	1910984	CANVAS, 350DA-08 HRDTP VSR/SS W/S PRT MDNT
	1910989	CANVAS, 350DA-08 SPLR VSR/AL W/S PRT MDNT
	1910990	CANVAS, 350DA-08 SPLR VSR/SS W/S PRT MDNT
6	1910981	CANVAS, 350DA-08 HRDTP VSR/AL W/S CTR MDNT
	1910982	CANVAS, 350DA-08 HRDTP VSR/SS W/S CTR MDNT
	1910987	CANVAS, 350DA-08 SPLR VSR/AL W/S CTR MDNT
	1910988	CANVAS, 350DA-08 SPLR VSR/SS W/S CTR MDNT
7	1910985	CANVAS, 350DA-08 HRDTP VSR/AL W/S STB MDNT
	1910986	CANVAS, 350DA-08 HRDTP VSR/SS W/S STB MDNT
	1910991	CANVAS, 350DA-08 SPLR VSR/AL W/S STB MDNT
	1910992	CANVAS, 350DA-08 SPLR VSR/SS W/S STB MDNT
8	1907417	CANVAS, 350DA-08 HRDTP SIDE CURT/AL W/S MDNT
	1907424	CANVAS, 350DA-08 HRDTP SIDE CURT/SS W/S MDNT
	1897965	CANVAS, 350DA-08 SPLR SIDE CURT/AL W/S MDNT
	1908295	CANVAS, 350DA-08 SPLR SIDE CURT/SS W/S MDNT
9	1910994	CANVAS, 350DA-08 HRDTP SIDE CURT/AL PRT MDNT
	1910993	CANVAS, 350DA-08 HRDTP SIDE CURT/SS PRT MDNT
	1910997	CANVAS, 350DA-08 SPLR SIDE CURT/AL PRT MDNT
	1910998	CANVAS, 350DA-08 SPLR SIDE CURT/SS PRT MDNT
10	1910995	CANVAS, 350DA-08 HRDTP SIDE CURT/AL STB MDNT
	1910996	CANVAS, 350DA-08 HRDTP SIDE CURT/SS STB MDNT
	1910999	CANVAS, 350DA-08 SPLR SIDE CURT/AL STB MDNT
	1911000	CANVAS, 350DA-08 SPLR SIDE CURT/SS STB MDNT
11	1897957	FRAME, SS 350DA-08 SNSHD TOP CNVS 1"OD X16GA
12	1760354	CAP, SS EYE END BALL/SOCKET TYPE
13	1760357	HINGE, DECK RADIUS BALL/SOCKET TYPE SS
14	1760356	HINGE, DECK FLAT BALL/SOCKET TYPE SS
15	1778676	CLIP, SHOCKCORD/CVR WHT W/ELAS 04
16	1761645	KNOB, SHOCKCORD LACING
17	1898301	CLIP, WHT TAB ZIP PULL W/1/8"X5" CORD (REPLACED 1778677)
	1778677	CLIP, WHT PLAS TAB W/CORD (NO LONGER AVAILABLE, REPLACED BY 1898301)
18	221085	CAP, SS EYE END 7/8"
19	1760358	INSERT, DECK HINGE BALL/SOCKET BLK
20	439307	SLIDE, JAW SLIDE 7/8"
21	1760355	SLIDE, JAW SLIDE BALL/SOCKET TYPE SS
	1760596	SCREW, SLOT PAN BALL/SOCKET JAW SLIDE
22	1760595	PIN, PULL BALL/SOCKET TYPE W/RING LNYRD BLK
23	1357854	PIN, PULL 1.25" TOGGLE W/RING LNYRD SPRING SS
24	174953	HINGE, DECK CONCAVE 1" SS CONV TOP
25	1536069	SLIDE, W/S CANVAS TRACK STBD
	1536051	SLIDE, W/S CANVAS TRACK PORT
	1738744	KNOB, W/S CANVAS TRACK PRT & STB
26	580688	SPACER, SIDE CURTAIN 7/8"
27	174995	HINGE, DECK FLAT 1" CONV TOP SS

## COCKPIT COVER

1908187	CANVAS, 350DA-08 HRDTP CPC W/VNTS/AL W/S MDNT
1908198	CANVAS, 350DA-08 HRDTP CPC W/VNTS/SS W/S MDNT
1908180	CANVAS, 350DA-08 SPLR CPC W/VNTS/AL W/S MDNT
1908184	CANVAS, 350DA-08 SPLR CPC W/VNTS/SS W/S MDNT

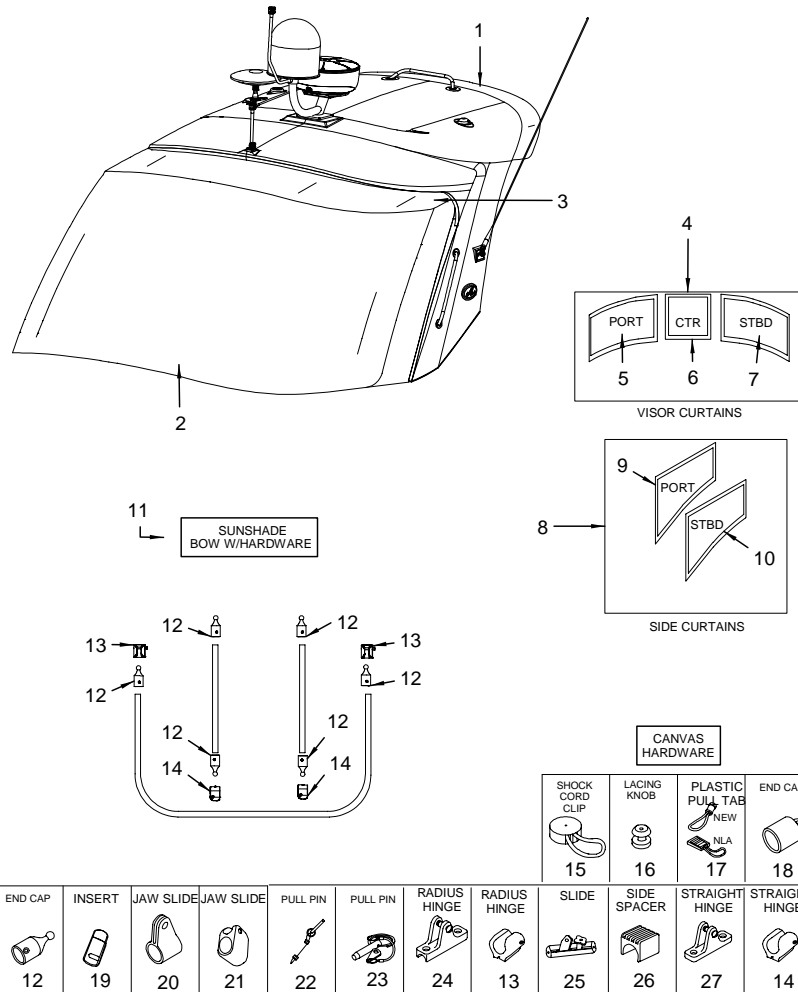
## DASH COVER

1905717	CANVAS, 350DA-08 DASH CVR SGL CNTRL CADGRY
1905718	CANVAS, 350DA-08 DASH CVR DUAL CNTRL CADGRY

## STORAGE BAG

788547	CANVAS, STRG BAG 10X60 LRG GREY 95
--------	------------------------------------

CANVAS (WHITE)



CANVAS (WHITE)

- |           |   |            |   |
|-----------|---|------------|---|
| 1 1898183 | CANVAS, 350DA-08 SNSHD TOP WHT              | 9 1911027  | CANVAS, 350DA-08 SPLR SIDE CURT/AL PRT WHT    |
| 2 1907421 | CANVAS, 350DA-08 HRDTP AFT CURT WHT         | 1911028    | CANVAS, 350DA-08 SPLR SIDE CURT/SS PRT WHT    |
| 3 1897963 | CANVAS, 350DA-08 SNSHD AFT CURT WHT         | 10 1911019 | CANVAS, 350DA-08 HRDTP SIDE CURT/AL STB WHT   |
| 4 1907415 | CANVAS, 350DA-08 HRDTP VSR/AL W/S 3PC WHT   | 1911020    | CANVAS, 350DA-08 HRDTP SIDE CURT/SS STB WHT   |
| 1907428   | CANVAS, 350DA-08 HRDTP VSR/SS W/S 3PC WHT   | 1911029    | CANVAS, 350DA-08 SPLR SIDE CURT/AL STB WHT    |
| 1908299   | CANVAS, 350DA-08 SPLR VSR/SS W/S 3PC WHT    | 1911030    | CANVAS, 350DA-08 SPLR SIDE CURT/SS STB WHT    |
| 1897969   | CANVAS, 350DA-08 SPLR VSR/AL W/S 3PC WHT    | 11 1897957 | FRAME, SS 350DA-08 SNSHD TOP CNVS 1"OD X16GA  |
| 5 1911013 | CANVAS, 350DA-08 HRDTP VSR/AL W/S PRT WHT   | 12 1760354 | CAP, SS EYE END BALL/SOCKET TYPE              |
| 1911014   | CANVAS, 350DA-08 HRDTP VSR/SS W/S PRT WHT   | 13 1760357 | HINGE, DECK RADIUS BALL/SOCKET TYPE SS        |
| 1911023   | CANVAS, 350DA-08 SPLR VSR/SS W/S PRT WHT    | 14 1760356 | HINGE, DECK FLAT BALL/SOCKET TYPE SS          |
| 1911024   | CANVAS, 350DA-08 SPLR VSR/AL W/S PRT WHT    | 15 1778676 | CLIP, SHOCKCORD/CVR WHT W/ELAS 04             |
| 6 1911011 | CANVAS, 350DA-08 HRDTP VSR/AL W/S CTR WHT   | 16 1761645 | KNOB, SHOCKCORD LACING                        |
| 1911012   | CANVAS, 350DA-08 HRDTP VSR/SS W/S CTR WHT   | 17 1898301 | CLIP, WHT TAB ZIP PULL W/1/8"X5" CORD         |
| 1911021   | CANVAS, 350DA-08 SPLR VSR/SS W/S CTR WHT    | 1778677    | (REPLACED 1778677)                            |
| 1911022   | CANVAS, 350DA-08 SPLR VSR/AL W/S CTR WHT    |            | CLIP, WHT PLAS TAB W/CORD                     |
| 7 1911015 | CANVAS, 350DA-08 HRDTP VSR/AL W/S STB WHT   | 18 221085  | CAP, SS EYE END 7/8"                          |
| 1911016   | CANVAS, 350DA-08 HRDTP VSR/SS W/S STB WHT   | 19 1760358 | INSERT, DECK HINGE BALL/SOCKET BLK            |
| 1911026   | CANVAS, 350DA-08 SPLR VSR/AL W/S STB WHT    | 20 439307  | SLIDE, JAW SLIDE 7/8"                         |
| 1911025   | CANVAS, 350DA-08 SPLR VSR/SS W/S STB WHT    | 21 1760355 | SLIDE, JAW SLIDE BALL/SOCKET TYPE SS          |
| 8 1907418 | CANVAS, 350DA-08 HRDTP SIDE CURT/AL W/S WHT | 1760596    | SCREW, SLOT PAN BALL/SOCKET JAW SLIDE         |
| 1907425   | CANVAS, 350DA-08 HRDTP SIDE CURT/SS W/S WHT | 22 1760595 | PIN, PULL BALL/SOCKET TYPE W/RING LNYRD BLK   |
| 1897966   | CANVAS, 350DA-08 SPLR SIDE CURT/AL W/S WHT  | 23 1357854 | PIN, PULL 1.25" TOGGLE W/RING LNYRD SPRING SS |
| 1908296   | CANVAS, 350DA-08 SPLR SIDE CURT/SS W/S WHT  | 24 174953  | HINGE, DECK CONCAVE 1" SS CONV TOP            |
| 9 1911018 | CANVAS, 350DA-08 HRDTP SIDE CURT/AL PRT WHT | 25 1536069 | SLIDE, W/S CANVAS TRACK STBD                  |
| 1911017   | CANVAS, 350DA-08 HRDTP SIDE CURT/SS PRT WHT | 1536051    | SLIDE, W/S CANVAS TRACK PORT                  |
|           |   | 1738744    | KNOB, W/S CANVAS TRACK PRT & STB              |

26 580688 SPACER, SIDE CURTAIN 7/8"  
27 174995 HINGE, DECK FLAT 1" CONV TOP SS

**COCKPIT COVER**

1908191 CANVAS, 350DA-08 HRDTP CPC W/VNTS/AL W/S WHT  
1908200 CANVAS, 350DA-08 HRDTP CPC W/VNTS/SS W/S WHT  
1908182 CANVAS, 350DA-08 SPLR CPC W/VNTS/AL W/S WHT  
1908185 CANVAS, 350DA-08 SPLR CPC W/VNTS/SS W/S WHT

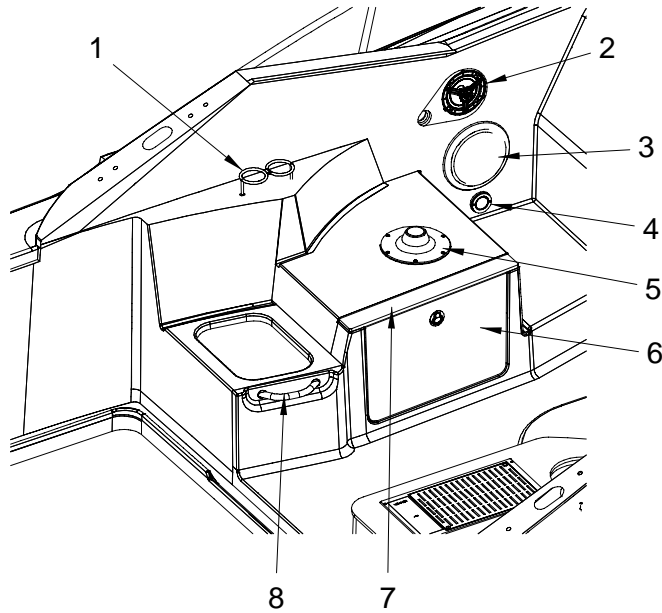
**DASH COVER**

1905717 CANVAS, 350DA-08 DASH CVR SGL CNTRL CADGRY  
1905718 CANVAS, 350DA-08 DASH CVR DUAL CNTRL CADGRY

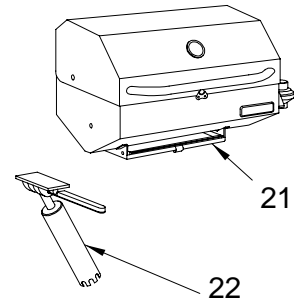
**STORAGE BAG**

788547 CANVAS, STRG BAG 10X60 LRG GREY 95

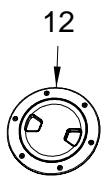
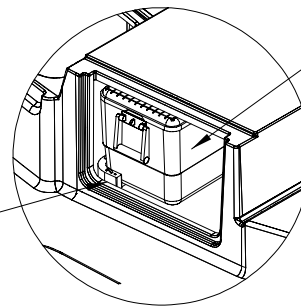
COCKPIT (PORT VIEW)



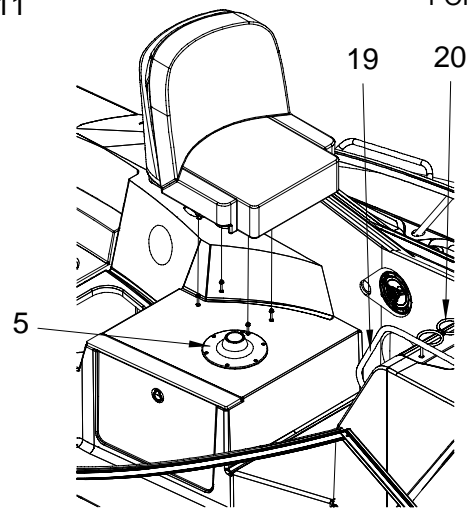
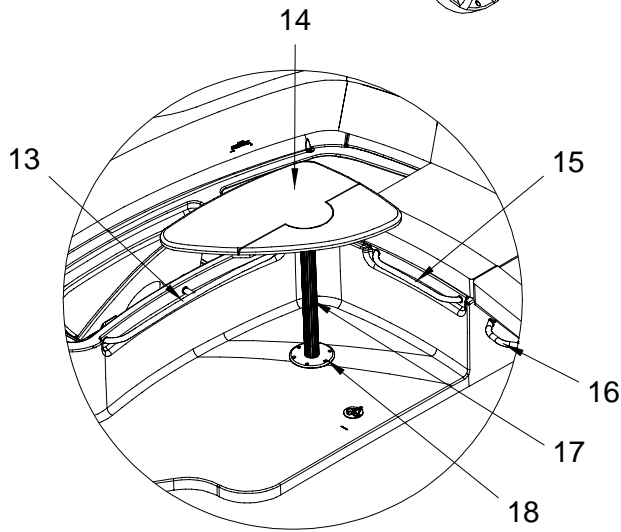
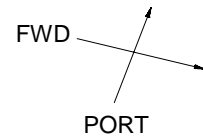
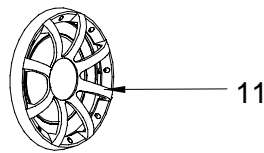
PORT SEAT AREA



COOLER



FOR ACCESS TO HATCH ACTUATORS





**COCKPIT (PORT VIEW)**

- 1 1750873 HOLDER, DRINK SS 2-RING 3" (KING)
- 2 1690557 SPEAKER, COAXIAL 6.5" N/CVR
- 1690558 GRILL, SPEAKER 6.5" ACOM WHT
- 1947482 STEREO, AMP JL MONOBLOCK SUBWOOFER 700W  
**(PREMIUM COCKPIT SOUND SYSTEM)**
- 1907446 HARNESS, 350DA-08 PREM CKPT STEREO JMPR  
**(PREMIUM COCKPIT SOUND SYSTEM)**
- 1854215 SPEAKER, JL COMPONENT  
**(PREMIUM COCKPIT SOUND SYSTEM)**
- 3 1849195 SPEAKER, 10" SUBWOOFER MARINE WHT  
**(PREMIUM COCKPIT SOUND SYSTEM)**
- 1892022 GRILL, 10" SUBWOOFER MARINE WHT W/BLK LOGO  
**(PART OF 1849195)**
- 4 1771019 LIGHT, NAV STERN FLUSH MT CKPT W/CONN
- 1200369 BULB, REPL FOR #0137380/#0783670  
**(PART OF 1771019)**
- 5 1909289 BASE, ALUM RND 6-HOLE 4.75"N/SPDR W/DLRN ANOD
- 6 1903634 DOOR, PLEX 1/2"X23 9/16"X15 7/8"ARW W/SS STHC
- 7 1903635 FILLER, PLEX 350DA-08 PRT SEAT STRG DOOR ARW
- 8 1780393 RAIL, GRAB 8" 316L SS W/GASKET
- 9 814012 COOLER, 36QT
- 10 819656 COOLER, TIE DOWN IGLOO
- 11 1849195 SPEAKER, 10" SUBWOOFER MARINE WHT  
**(PREMIUM COCKPIT SOUND SYSTEM)**
- 1892022 GRILL, 10" SUBWOOFER MARINE WHT W/BLK LOGO  
**(PART OF 1849195)**
- 12 983692 ACCESS PLATE, POLYPROP W/ O-RING 4" WHT
- 13 1885626 RAIL, GRAB 7/8"OD X36 3/8" W/3STNCHN 304SS
- 14 1901220 TABLE, TEAK 3/4"X 25.25"X 32.5"W/HNG/ALUMBASE
- 15 1885627 RAIL, GRAB 7/8"OD X18.75" W/2STNCHN 304SS
- 16 1780393 RAIL, GRAB 8" 316L SS W/GASKET
- 17 1476738 POST, TABLE LEG 26.5"X 2.25" ALUM RIB DBL TPR
- 872440 POST, TABLE LEG 11.25" ANOD TAPERED RIBBED
- 18 876961 BASE, LEG/POST FLUSH MT ALUM
- 19 1901500 RAIL, GRAB 5/8"OD X9 7/8"304SS CABN DOOR ENTR
- 20 1750873 HOLDER, DRINK SS 2-RING 3" (KING)
- 21 1786919 GRILL, PROPANE PORTBLE CATALINA SS  
**(SS GRILL W/LEVELOCK & 2 GUNWALE ROD HOLDERS)**
- 147611 ADAPTER, BRASS 1/4"MPT X 3/8"BARB  
**(SS GRILL W/LEVELOCK & 2 GUNWALE ROD HOLDERS)**
- 1795401 ROD HOLDER, FLUSH MNT SS 30DEG CONTR W/LOGO  
**(SS GRILL W/LEVELOCK & 2 GUNWALE ROD HOLDERS)**
- 1634344 CAP, RUBBER 2" ROD HOLDER BLK  
**(PART OF 1795401)**
- 417998 CLAMP, HOSE #04M 1/4"-5/8" SS MINI  
**(SS GRILL W/LEVELOCK & 2 GUNWALE ROD HOLDERS)**
- 22 1787883 BRACKET, SS ADJ LEVELOCK GOURMET BBQ SERIES  
**(SS GRILL W/LEVELOCK & 2 GUNWALE ROD HOLDERS)**

**DOOR BUMPER**

- 663708 BUMPER, CLEAR .020" THICK

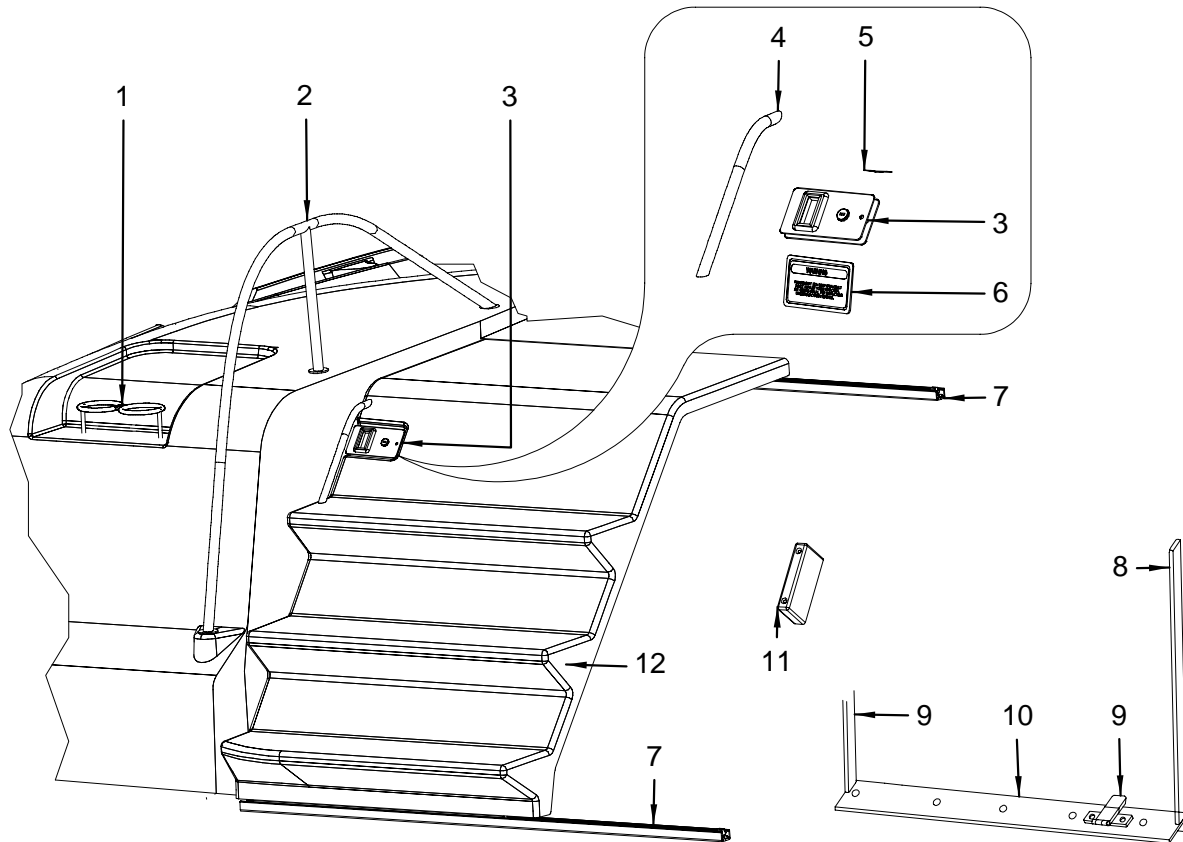
**NOT SHOWN**

- 1903640 COVER, HDPE ACCESS 17 5/8"X 20.75"ARW  
**BEHIND CIRCULAR SEAT**
- 145136 RECEPTACLE, CORR RESISTANT GREY

**THRU- HULLS**

- 326009 THRU-HULL, PLAS 2" WHT (FULL THREAD)

**CABIN ENTRY DOOR**



ENTRYWAY DOOR

**CABIN ENTRY DOOR**

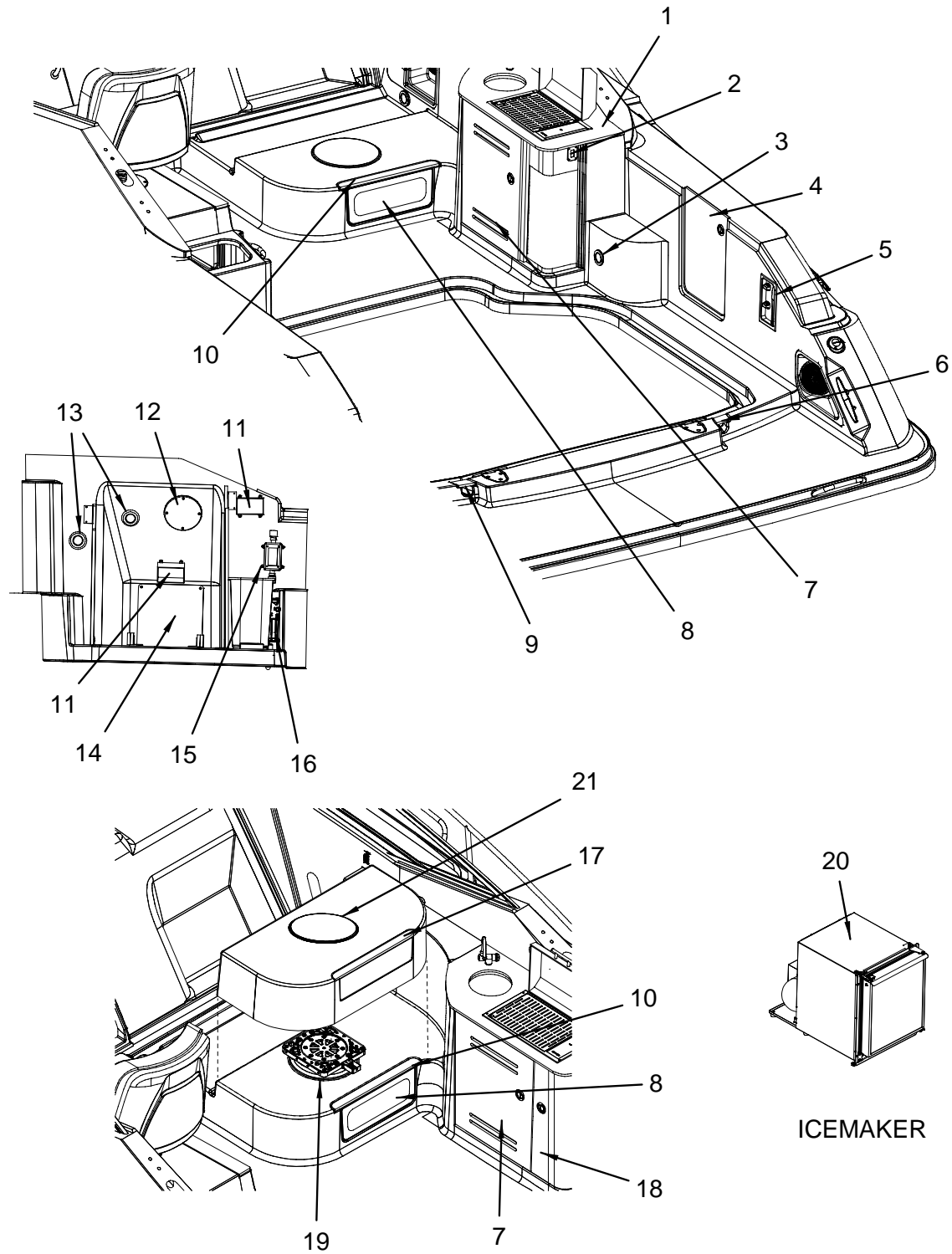
- 1 1750873 HOLDER, DRINK SS 2-RING 3" (KING)
- 2 1899287 RAIL, GRAB FOREDECK ACCESS 7/8"OD X47"
- 3 762872 LOCK, CABIN DOOR WHT PC ALUM
- 914010 LOCK, CABIN DOOR BLK ANOD ALUM  
(GEL-COATED DASH - OPTIONAL)
- 1736967 KEY, CABIN ENTRY MOBELLA (SPECIFY KEY#902)
- 1736968 KEY, CABIN ENTRY MOBELLA (SPECIFY KEY#911)
- 1736969 KEY, CABIN ENTRY MOBELLA (SPECIFY KEY#912)
- 1736970 KEY, CABIN ENTRY MOBELLA (SPECIFY KEY#915)
- 1736971 KEY, CABIN ENTRY MOBELLA (SPECIFY KEY#917)
- 1736972 KEY, CABIN ENTRY MOBELLA (SPECIFY KEY#929)
- 1736973 KEY, CABIN ENTRY MOBELLA (SPECIFY KEY#948)
- 1736974 KEY, CABIN ENTRY MOBELLA (SPECIFY KEY#932)
- 1736975 KEY, CABIN ENTRY MOBELLA (SPECIFY KEY#938)
- 1736976 KEY, CABIN ENTRY MOBELLA (SPECIFY KEY#943)
- 1737704 KEY, CABIN ENTRY MOBELLA (SPECIFY KEY#918)
- 1941412 SHIM, HDPE 1/8"X 1/2"X 1.75"ARCW DOOR STRIKER
- 1941409 SHIM, HDPE 1/8"X 1/2"X 1.75"NCKL DOOR STRIKER  
(GEL-COATED DASH - OPTIONAL)
- 4 1901500 RAIL, GRAB 5/8"OD X9 7/8"304SS CABN DOOR ENTR
- 5 1736967 KEY, CABIN ENTRY MOBELLA (SPECIFY KEY#902)
- 1736968 KEY, CABIN ENTRY MOBELLA (SPECIFY KEY#911)
- 1736969 KEY, CABIN ENTRY MOBELLA (SPECIFY KEY#912)
- 1736970 KEY, CABIN ENTRY MOBELLA (SPECIFY KEY#915)
- 1736971 KEY, CABIN ENTRY MOBELLA (SPECIFY KEY#917)

- 5 1736972 KEY, CABIN ENTRY MOBELLA (SPECIFY KEY#929)
- 1736973 KEY, CABIN ENTRY MOBELLA (SPECIFY KEY#948)
- 1736974 KEY, CABIN ENTRY MOBELLA (SPECIFY KEY#932)
- 1736975 KEY, CABIN ENTRY MOBELLA (SPECIFY KEY#938)
- 1736976 KEY, CABIN ENTRY MOBELLA (SPECIFY KEY#943)
- 1737704 KEY, CABIN ENTRY MOBELLA (SPECIFY KEY#918)
- 6 1743548 LABEL, WARNING RUNNING BOAT W/DOOR OPEN
- 7 1883984 TRACK, ALUM LOW BEAM MICRO 1.2M 3.93"BLK ANOD
- 1883986 ROLLER, MICRO UTILITY CARS W/1/4"HOLE
- 1885347 TRACK, ALUM ANOD SLIDE ASSY 58"UPR/58"LWR
- 8 912774 NOSING, VINYL 1"X 1/4"X 12' RIGID SR WHT
- 1802210 NOSING, VINYL 1"X 1/4"X 10' WARM GRY/NCKL  
(GEL-COATED DASH - OPTIONAL)
- 9 1340959 STOP, SLIDING DOOR/WINDOW CHR HVY DTY
- 10 1901221 THRESHOLD, SS 350DA-08 ENTRYWAY 25 3/8"
- 11 1340959 STOP, SLIDING DOOR/WINDOW CHR HVY DTY
- 1885348 STOP, HDPE 3/4"X 3.5"X 5.25" ENTRYWY DOOR ARW
- 12 1907440 350DA 08.DOOOR.ENTRYWAY FBRGLS
- 1901500 RAIL, GRAB 5/8"OD X9 7/8"304SS CABN DOOR ENTR

**NOT SHOWN**

- 1860982 TRIM, EDGE WHT PEBBLE 3/4"X 1/4"

COCKPIT (FORWARD STARBOARD VIEW)



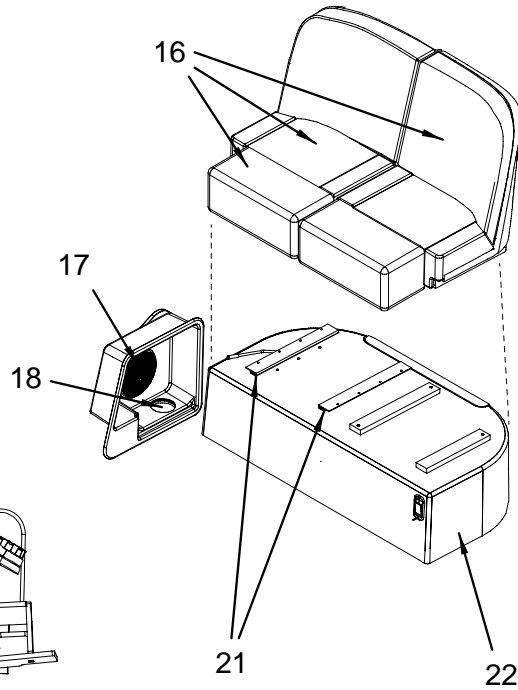
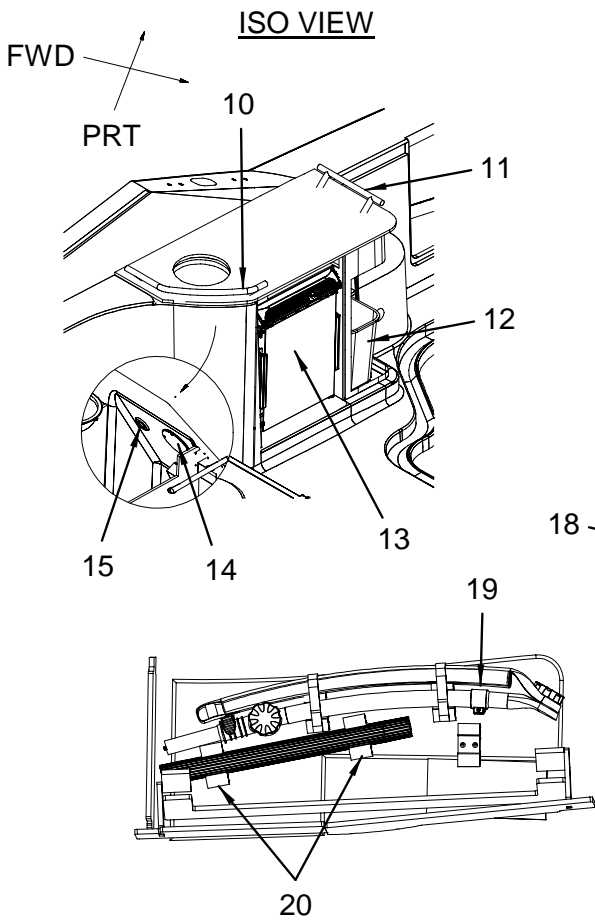
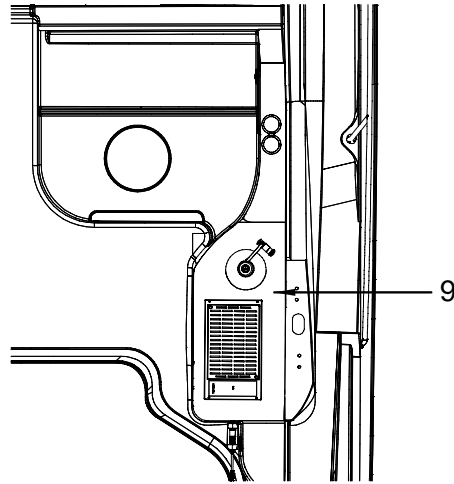
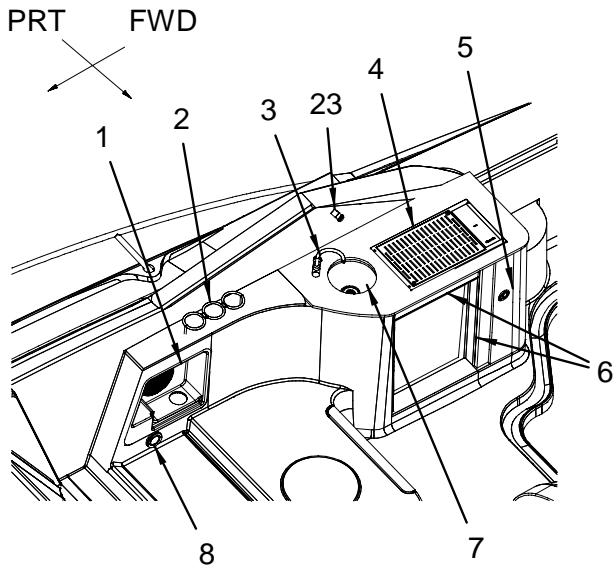
**COCKPIT (FORWARD STARBOARD VIEW)**

- 1 1898221 TOP, CORIAN 350DA-08 CKPT WETBR N/GRL WNTRWHT
- 1898219 TOP, CORIAN 350DA-08 CKPT WETBR W/GRL WNTRWHT
- 2 1747608 PANEL, 240BR-04 AIR CMPSR ACT SW
- 1181742 BRKR/ROCK, SGL-POLE MNL RSET DC IGNPRT 10A YL
- 3 1771019 LIGHT, NAV STERN FLUSH MT CKPT W/CONN
- 1200369 BULB, REPL FOR #0137380/#0783670  
(PART OF 1771019)
- 4 1903646 DOOR, PLEX 1/2"X 20.5"X 17.25"STB AFT ACCESS
- 5 736702 FAUCET, WASHDOWN BOX W/MIXER (AQUATIK) VERT
- 1298710 FAUCET, CARTRIDGE CERAMIC 90DEG LH  
(PART OF 736702)
- 1302504 FAUCET, CARTRIDGE CERAMIC 90DEG RH  
(PART OF 736702)
- 1302579 FAUCET, WASHDOWN SHOWER UNIT ONLY (AQUATIK)  
(PART OF 736702)
- 1302587 FAUCET, WASHDOWN DOOR ONLY (AQUATIK)  
(PART OF 736702)
- 1302595 FAUCET, WASHDOWN HOSE W/FPT ONLY(AQUATIK)  
(PART OF 736702)
- 1302603 FAUCET, WASHDOWN SPRAYER HEAD ONLY(AQUATIK)  
(PART OF 736702)
- 1848792 FAUCET, WASHDOWN RUBBER SHOWERHEAD HLDR  
(PART OF 736702)
- 1742646 LATCH, WASHDOWN DOOR (AQUATIK)  
(PART OF 736702)
- 6 1903631 COVER, HDPE 350DA-08 STB SCUPPER ARW
- 7 1898222 DOOR, PLEX 1/2"X 20.25"X 26.5"ARW W/SLTS/HDWR
- 8 1904327 WINDOW, CKPT SEAT 8"X 20 5/8"FLAT W/GRY TNT
- 9 1903630 COVER, HDPE 350DA-08 PRT SCUPPER ARW
- 10 1903632 FILLER, PLEX 350DA-08 H/S WNDW ARW
- 11 147397 COVER PLATE, CARLON BOX SGL
- 12 137349 ACCESS PLATE, PLAS CVR 5" WHT
- 13 124537 THRU-HULL, PLAS 1.5" WHT
- 14 1758250 COVER, HDPE ACCESS 11"X11"X1/4" W/1/2"RD ARW
- 15 1507326 ACC PART, MERC S-CRFT JUNC BOX 4-WAY
- 16 1883261 COMPRESSOR, 12V AIR W/HOSE/VALVE/TIP/COUPLER
- 1908302 HARNESS, 350DA-08 AIR CMPSR 12V
- 17 1903639 FILLER, PLEX 350DA-08 AFT H/S ACCESS ARW
- 18 1898223 DOOR, PLEX 1/2"X 16.75"X 26.5"CRVD ARW W/HDWR
- 19 1899556 LOCK ASSY, 350DA-08 H/S RLS W/35"CABLE
- 1899559 BASE, SS H/S SWVL HD 140DEG CBL OPER
- 1883986 ROLLER, MICRO UTILITY CARS W/1/4"HOLE
- 1885025 SHIM, HDPE DOOR 1/2"X 2" X28" ARW
- 20 964924 ICE MAKER, 20 LB WHT W/FLNGE LOW/PROF 120V/60
- 965483 ICE MAKER, 20 LB WHT W/FLNGE LOW/PROF 220V/50
- 1044437 ADAPTER, BRASS GARDEN HOSE TO 1/4"90DEG  
(PART OF 964924 & 965483)
- 1689713 FITTING, BRASS 3/4"FGH X 1/4"COMP  
(PART OF 964924 & 965483)
- 1743333 FITTING, 1/4" X 1/2" BSP FAUCET CONNECTOR
- 1689292 TEE, UNIFLEX PLAS 1/2" MPT
- 1258995 SLEEVE, SEATECH COMPRESS 1/4"FLEX TUBING DLRN
- 1215201 TUBING, SEATECH 1/4"OD X 1/8"ID X 1000' NAT'L
- 21 1154137 SPIDER, POWDER COATED W/O DELRIN CUP
- 952838 BRACKET, ALUM 2"X 1/8"X 5" 4@3/16"HOLES

**NOT SHOWN**

- 912774 NOSING, VINYL 1"X 1/4"X 12' RIGID SR WHT

COCKPIT (STARBOARD/AFT)



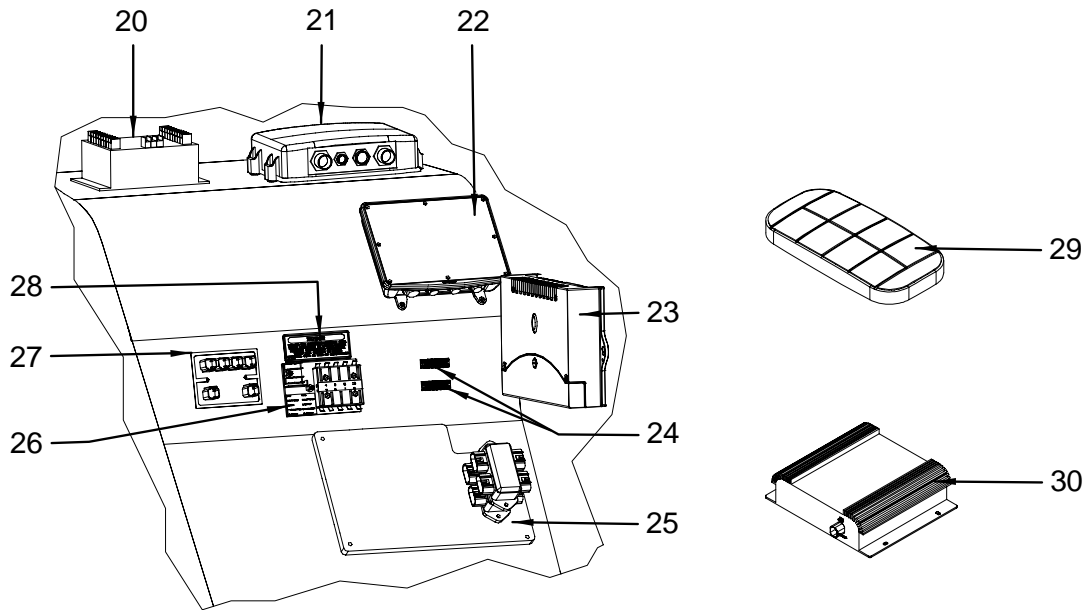
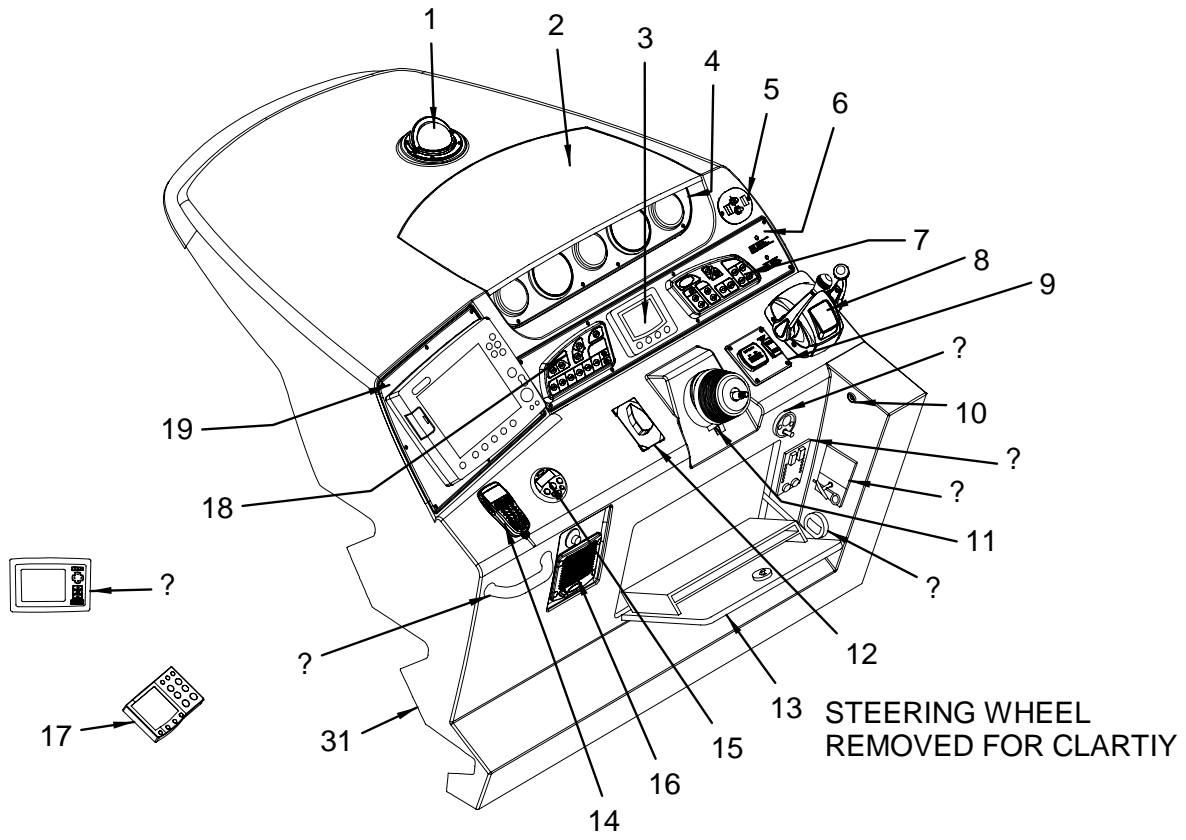
**COCKPIT (STARBOARD/AFT)**

- 1 1898189 BOX, V/F CKPT HELM STRG W/FWD ANGL/FRNT PNL
- 2 1750874 HOLDER, DRINK SS 3-RING 3" (KING)
- 3 1775010 FAUCET, FOLD DOWN SGL TAP CHR
- 4 1848406 GRILL, ELECTRIC BRSHD SS 120V AC W/OVAL LID
- 1850430 GRILL, ELECTRIC BRSHD SS 240V AC W/OVAL LID
- 1903628 FILLER, HDPE 350DA-08 WETBAR W/GRL ARW
- 5 1898223 DOOR, PLEX 1/2"X 16.75"X 26.5"CRVD ARW W/HDWR
- 6 1903627 JAMB, HDPE 1/2"X26 7/8"X2.75"WETBAR DOOR ARW
- 7 1903219 SINK, SS RND 10.5"DIA X 4.25"DEEP BRSHD
- 8 1771019 LIGHT, NAV STERN FLUSH MT CKPT W/CONN
- 1200369 BULB, REPL FOR #0137380/#0783670  
(PART OF 1771019)
- 9 1898221 TOP, CORIAN 350DA-08 CKPT WETBR N/GRL WNTRWHT
- 1898219 TOP, CORIAN 350DA-08 CKPT WETBR W/GRL WNTRWHT
- 10 1904413 RAIL, GRAB 7/8"OD X47"W/4STNCHN L-SHPD 304SS
- 1904414 RAIL, GRAB 7/8"OD X23.75"W/2STNCHN CRVD 304SS
- 11 1904415 RAIL, GRAB 7/8"OD X13.25"STRAIGHT 304SS
- 12 431098 BASKET, TRASH 11 3/8"X 8.25"X 12 1/8" BEIGE
- 13 1747061 REFRIGERATOR, 1.7 CU FT 12VDC/110AC
- 1747062 REFRIGERATOR, 1.7 CU FT 12VDC/240V
- 1738813 LATCH, COVER PLATE FOR TRAVEL LATCH  
(PART OF 1747061 & 1747062)
- 1738814 LATCH, TRAVEL LATCH SPRING  
(PART OF 1747061 & 1747062)
- 1738816 LATCH, TRAVEL PLATE  
(PART OF 1747061 & 1747062)
- 14 137349 ACCESS PLATE, PLAS CVR 5" WHT
- 15 124537 THRU-HULL, PLAS 1.5" WHT
- 16 1900751 HELMSEAT, 350DA-08 STB SEAT BCK OMNOVA
- 1900753 HELMSEAT, 350DA-08 STB THGHRS OMNOVA
- 1900757 HELMSEAT, 350DA-08 PRT COMP SEAT BCK OMNOVA
- 1900758 HELMSEAT, 350DA-08 PRT COMP THGHRS OMNOVA
- 17 1690557 SPEAKER, COAXIAL 6.5" N/CVR
- 1690558 GRILL, SPEAKER 6.5" ACOM WHT
- 1947482 STEREO, AMP JL MONOBLOCK SUBWOOFER 700W  
(PREMIUM COCKPIT SOUND SYSTEM)
- 1907446 HARNESS, 350DA-08 PREM CKPT STEREO JMPR  
(PREMIUM COCKPIT SOUND SYSTEM)
- 1854215 SPEAKER, JL COMPONENT  
(PREMIUM COCKPIT SOUND SYSTEM)
- 18 1812917 HOLDER, DRINK SS 4"X 3" MUG SZ PLSHD RIM
- 19 1850433 CANVAS, ALUM WHT PDWRCT MANTIS SNSHD BLK
- 1880678 ROD HOLDER, FLUSH MNT SS ODEG W/LOGO
- 20 1500552 CLIP, TABLE LEG 60MM TUBE BLK
- 21 1909084 TRACK ASSY, HELMSEAT W/KNOB/CLIP LOPRO 14.75"
- 22 1911006 350DA 08,SHELL, H/S P/S
- 23 1887473 STOP, HDPE 1.25"X 1"GRILL CNTRS NK ARW  
(GRILL, COCKPIT - BUILT IN)

**DOOR BUMPER**

- 663708 BUMPER, CLEAR .020" THICK

HELM



## HELM

- 1 1776899 COMPASS, FLUSH MT 4 3/16" WHT W/CONN  
1776900 COMPASS, FLUSH MT 4 3/16" BLK W/CONN  
(GEL-COATED DASH - OPTIONAL)  
1798174 BULB, COMPASS REPL (SUNSHADE)  
(PART OF 1776899 & 1776900)  
1798175 BULB, COMPASS REPL (FRONT)  
(PART OF 1776899 & 1776900)
- 2 1898188 VISOR, DASH 350DA-08 PLEX BLK  
3 1890259 ACC PART, MERC S-CRFT VESSEL VIEW  
(VESSEL VIEW - TWINS ONLY)
- 4 1897668 PANEL, BLANK:350DA-08 INST  
5 1755306 CONTROL, SEARCH LIGHT W/HARNESS  
6 1897669 PANEL, BLANK:350DA-08 ELEC CTR  
1897670 PANEL, BLANK:350DA-08 ELEC CTR W/VSLVW  
1897671 PANEL, BLANK:350DA-08 ELEC CTR S/D DSL  
1897679 PANEL, BLANK:350DA-08 ELEC CTR V/D DSL
- 7 1900175 MODULE, ELEC SWPAD S-CRUISER STB 08  
8 1883502 CONTROL, DTS TS/TS W/CAN TRACKPAD  
9 1897684 PANEL, 350DA-08 SW S/D GAS DTS  
1897675 PANEL, BLANK:350DA-08 SW S/D GAS  
1897683 PANEL, 350DA-08 SW V/D GAS DTS  
1897676 PANEL, BLANK:350DA-08 SW V/D GAS  
1897682 PANEL, 350DA-08 SW S/D DSL  
1897677 PANEL, BLANK:350DA-08 SW S/D DSL  
1897681 PANEL, 350DA-08 SW V/D DSL  
1897678 PANEL, BLANK:350DA-08 SW V/D DSL  
1781396 SWITCH, START/STOP DUAL ENG KIT DTS
- 10 1690376 ACC PART, MERC S-CRFT AIR TEMP SENSOR  
11 1823728 STEERING, PERFORMANCE TILT PRO-SERIES MECH  
12 1765067 BOW THRUSTER, JOYSTICK (IMTRA)12/24V W/ON/OFF  
1800993 STERN THRUSTER, DOCKING CNTRL PNL
- 13 1898187 DOOR, HDPE 1/2"X18.5"X11 9/16"ARW W/SS STHCO  
1903629 DOOR, HDPE 1/2"X18.5"X11 9/16"NCKL W/SS STHCO  
(GEL-COATED DASH - OPTIONAL)
- 14 1839235 RADIO, VHF NRTHSTR PLAT COLOR  
1807869 HARNESS, NRTHSTR VHF BLKBX TO SPKR CBL 72"  
(PART OF 1839235)  
1807871 HARNESS, NRTHSTR VHF BLKBX PWR CBL 6'  
(PART OF 1839235)  
1807908 BASE, PLAS NRTHSTR VHF RADIO BLKBOX  
(PART OF 1839235)  
1851777 RADIO, VHF MIC CLIP ONLY  
(PART OF 1839235)  
1878760 RADIO, VHF MIC PLATE BLK  
(PART OF 1839235)  
1896837 RADIO, VHF NRTHSTR BLKBOX PLAT COLOR HANDSET  
(PART OF 1839235)  
1896838 SPEAKER, REMOTE NRTHSTR VHF BLKBOX BLK  
(PART OF 1839235)  
1888915 RADIO, VHF NRTHSTR SNGL STA GRY 6100I/EURO  
(C E OPTION GROUP/INTERNATIONAL ONLY)
- 15 1799348 STEREO, REMOTE CNTRL W/DSPL BLK FACE/SS BZL  
1903545 CABLE, CLARION REMOTE EXTENSION CABLE 25'  
1750893 CABLE, RCA AUDIO 14' W/EFX-2 CONN N/SUP
- 16 1896838 SPEAKER, REMOTE NRTHSTR VHF BLKBOX BLK  
1807911 SPEAKER, REMOTE NRTHSTR VHF BLKBOX  
(NLA- ORDER 1896838)
- 17 1839148 AUTO PILOT, RAYPILOT ST7002 DISPLAY ONLY  
(RAYMARINE AUTOPILOT ST-7002+ V-DRIVES ONLY)
- 18 1900168 MODULE, ELEC SWPAD S-CRUISER PRT 08  
19 1897673 PANEL, BLANK:350DA-08 ELEC PRT W/C120  
20 1148857 HALON SYS, ENG INTRUPT/RESTRT 12V 5-CKT  
21 1801244 DEPTH FINDER, DIGITAL SOUNDR MODL HSB2/DSM300  
22 852483 AUTO PILOT, RAYPILOT TYPE I PUMP UNIT  
23 1612761 AUTO PILOT, RAYPILOT TYPE 1 T150 CORE PACK  
(RAYMARINE AUTOPILOT ST-7002+ V-DRIVES ONLY)
- 1698068 AUTO PILOT, RUDDER REFERENCE INDICATOR  
(PART OF 1612761)  
1755521 AUTO PILOT, RUDDER REFERENCE FOR HC5345  
(PART OF 1612761)  
1755738 AUTO PILOT, FLUXGATE COMPASS  
(PART OF 1612761)  
1758953 ANGLE, RUDDER W/SWEEP ARM RAYMARINE  
(PART OF 1612761)
- 24 179242 BUSS BAR, 6-GANG TERMINAL STRIP  
25 1883473 BOARD, DTS DUAL ENG HELM COMP  
26 1909290 FUSE BLOCK, 10-GNG BLADE-TYPE ELECTRONICS RV1  
1596923 FUSE HOLDER, BLADE TYPE ACCY 10A  
731000 FUSE, BLADE TYPE CLOSED 10A
- 27 1907501 MODULE, PME INTERFACE S-CRUISER  
28 1745159 LABEL, CAUTION BUSS ELECTRONICS (LEXAN)  
29 1907502 MODULE, PME DIAGNOSTIC/RESET S-CRUISER  
30 1901047 MODULE, DIGITAL PME FWD S-CRUISER

31 1780215 NOSING, ALUM 5/8"X 12' T-1 ROUNDED BRUSHED

## HARNESSES

- 1934198 HARNESS, ACCY OVERRIDE HATCH LIFT PIGTAIL  
1803706 HARNESS, STEREO ADAPTOR CMD4 W/PACKARD CONN  
1750878 CABLE, RCA AUDIO 20' W/EFX-2 CONN W/NOISE SUP

## NOT SHOWN

- 1195478 DRAIN, PUSH IN 3/8" BLK  
634998 BOX, V/F 7.75"X 5"X 3" BLANK  
1903636 COVER, PLEX ACCESS 20 3/16"X 5.5"AFT HLM ARW  
957092 A/C COMP, HOSE RING 5" OBLONG  
1850253 VIDEO EQUIPMENT, AUX INPUT MP3 MA-AUX2  
1933761 PANEL, SGL OVERRIDE SW W/CONNECTOR  
1630177 PANEL, 360DA-02 SPEAKER MUTE SW  
1809654 PANEL, BLANK:360DA-02 SPEAKER MUTE SW  
(PART OF 1630177)  
797761 BODY, ROCK SW SPST BLK 12V INCAND NON-LIT  
(PART OF 1630177)  
1739403 ACTUATOR, ROCK BLK W/O LENS ENG STEREO MUTE  
(PART OF 1630177)

## NOT SHOWN ELECTRICAL

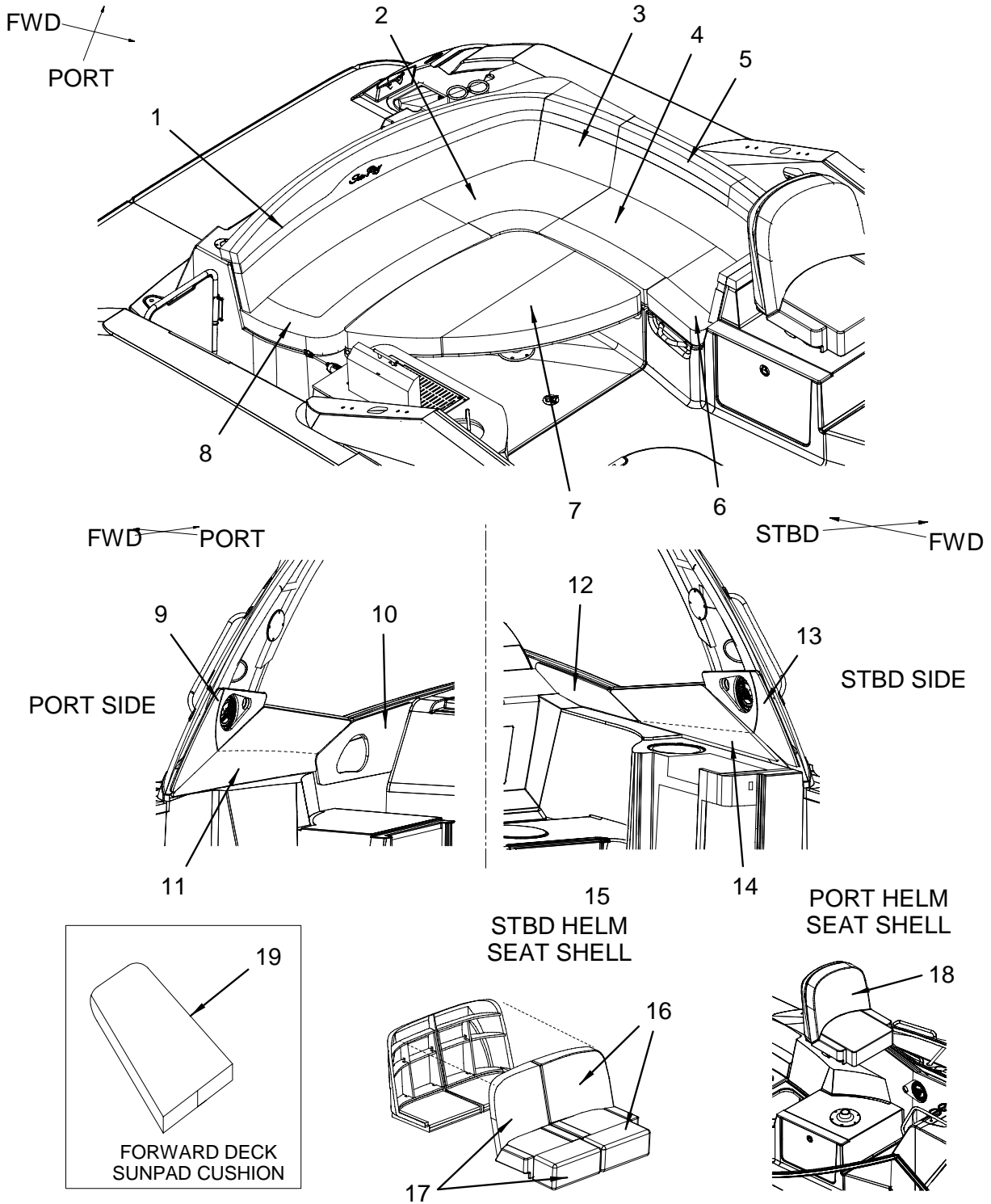
- 1771022 ACC PART, MERC ALARM BUZZER W/HARNESS W/CONN  
1726995 ACC PART, MERC ALARM BUZZER W/HARNESS  
180091 COVER PLATE, WATERPROOF RECEPTACLE GFI  
1900361 COVER PLATE, WTRPROOF RECEPT W/2 DOORS GRY  
1881818 RECEPTACLE, GFICI DPLX GRY W/IND/SMRTLCK 15A

## RAYMARINE AUTOPILOT ST-7002+ V-DRIVES ONLY

- 1685217 BRACKET, SS COREPAK ADJ  
168807 STEERING, ADAPTER BRASS 1/4"MPT X 3/8"COMP  
577312 TEE, BRASS 3/8"COMP X 1/4"MPT X 3/8"COMP



COCKPIT UPHOLSTERY



**COCKPIT UPHOLSTERY**

- 1 1904135 BCKRST, 350DA-08 CKPT AFT BENCH W/SCRPT OMNOVA
- 2 1904122 CUSH, 350DA-08 CKPT AFT BENCH OTBD OMNOVA
- 3 1904136 BCKRST, 350DA-08 CKPT AFT BENCH OTBD OMNOVA
- 4 1904129 CUSH, 350DA-08 CKPT AFT BENCH MID OMNOVA
- 5 1904137 BCKRST, 350DA-08 CKPT AFT BENCH FWD OMNOVA
- 6 1904134 CUSH, 350DA-08 CKPT AFT BENCH FWD OMNOVA
- 7 1904142 CUSH, 350DA-08 CKPT AFT BENCH FLR OMNOVA
- 8 1904109 CUSH, 350DA-08 CKPT AFT BENCH INBD OMNOVA
- 9 1907962 PANEL, 350DA-08 SPLR ACNT PRT UPR W/SPKR/FAB
- 10 1907938 PANEL, 350DA-08 CKPT PRT FWD W/SPKR/FAB
- 11 1907940 PANEL, 350DA-08 CKPT PRT MID CHAMP/OMNOVA
- 12 1907964 PANEL, 350DA-08 CKPT STB FWD OMNOVA
- 13 1907974 PANEL, 350DA-08 SPLR ACNT STB UPR W/SPKR/FAB
- 14 1907971 PANEL, 350DA-08 SPLR ACNT STB LWR CHAMP
- 1907968 PANEL, 350DA-08 CKPT STB MID CHAMP/OMNOVA
- 15 1911006 350DA 08 SHELL, H/S P/S
- 16 1900757 HELMSEAT, 350DA-08 PRT COMP SEAT BCK OMNOVA
- 1900758 HELMSEAT, 350DA-08 PRT COMP THGHRS OMNOVA
- 1900762 HELMSEAT, 350DA-08 PRT COMP SEAT BTM OMNOVA
- 1900763 HELMSEAT, 350DA-08 PRT COMP BCK INSERT OMNOVA
- 1900764 HELMSEAT, 350DA-08 PRT COMP BTM INSERT OMNOVA
- 17 1900751 HELMSEAT, 350DA-08 STB SEAT BCK OMNOVA
- 1900753 HELMSEAT, 350DA-08 STB THGHRS OMNOVA
- 1900754 HELMSEAT, 350DA-08 STB SEAT BTM OMNOVA
- 1900755 HELMSEAT, 350DA-08 STB SEAT BCK INSERT OMNOVA
- 1900756 HELMSEAT, 350DA-08 STB SEAT BTM INSERT OMNOVA
- 18 1904138 SEAT, 350DA-08 PRT SWVL SEAT BCK OMNOVA
- 1904139 SEAT, 350DA-08 PRT SWVL SEAT BCK INSRT OMNOVA
- 1904140 SEAT, 350DA-08 PRT SWVL SEAT BTM OMNOVA
- 1904141 SEAT, 350DA-08 PRT SWVL SEAT BTM INSRT OMNOVA
- 19 1901719 CUSH, 350DA-08 SUNPAD FWD DECK PRT OMNOVA
- 1911127 CUSH, 350DA-08 SUNPAD FWD DECK STB OMNOVA

**DASH COVER**

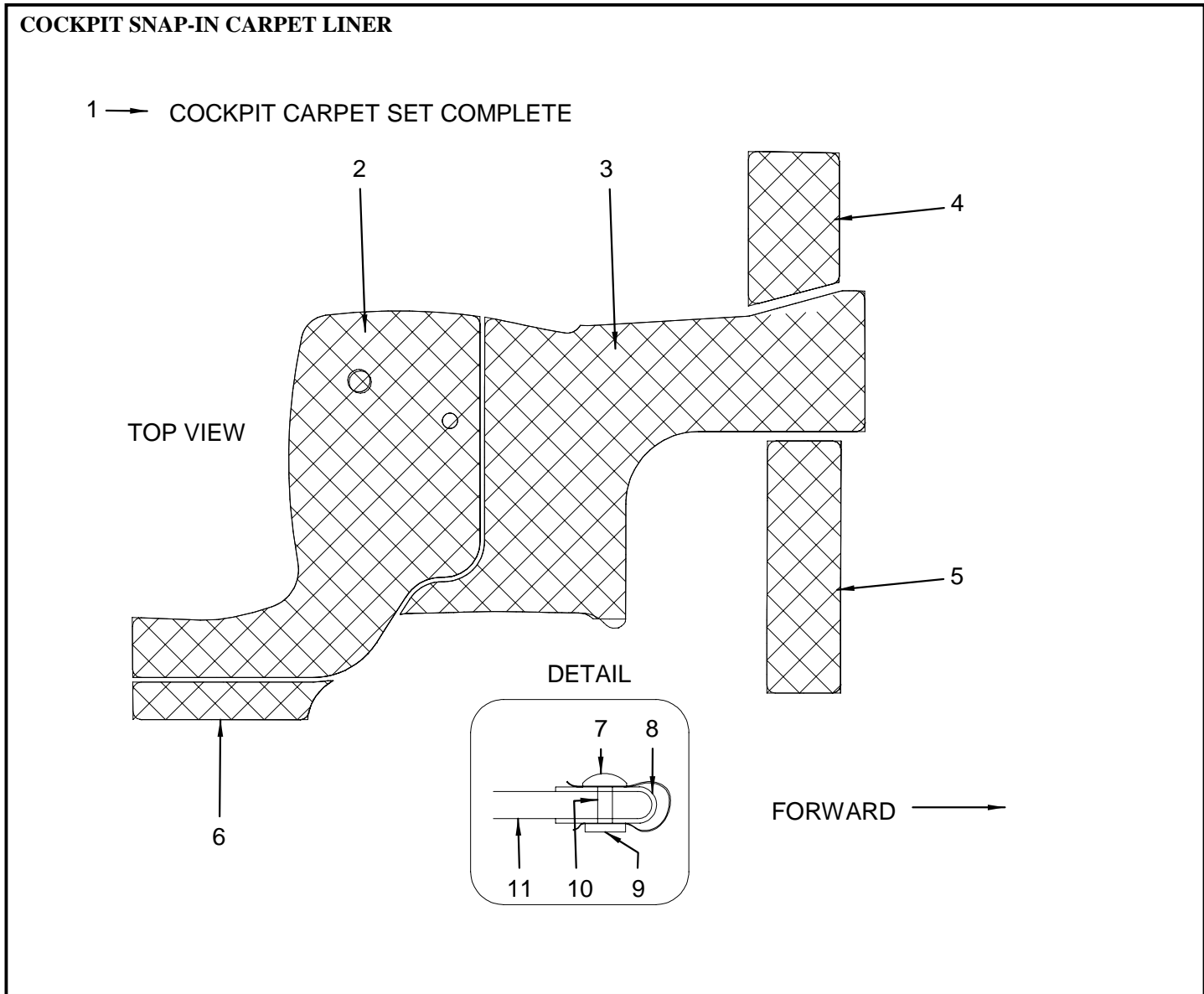
- 1905717 CANVAS, 350DA-08 DASH CVR SGL CNTRL CADGRY

**NOT SHOWN**

- 1896412 CUSH, 330DA-08 TRNSM SEAT OMNOVA  
(RUMBLE SEAT)
- 1896413 BCKRST, 330DA-08 TRNSM SEAT OMNOVA  
(RUMBLE SEAT)
- 1901844 SHIM, HDPE SLIDING DOOR STOP L-SHPD 1/8"BLK
- 1940561 SHIM, HDPE 1"X 2"X 15"COMP SEAT INBD ARW
- 1940562 SHIM, HDPE 1"X 2"X 12"COMP SEAT INBD ARW
- 1940563 SHIM, HDPE 1/4"X 2.25"X 8 7/8"COMP SEAT ARW
- 1940564 SHIM, HDPE 1/4"X 1.5"X 18.25"COMP SEAT ARW

**VELCRO**

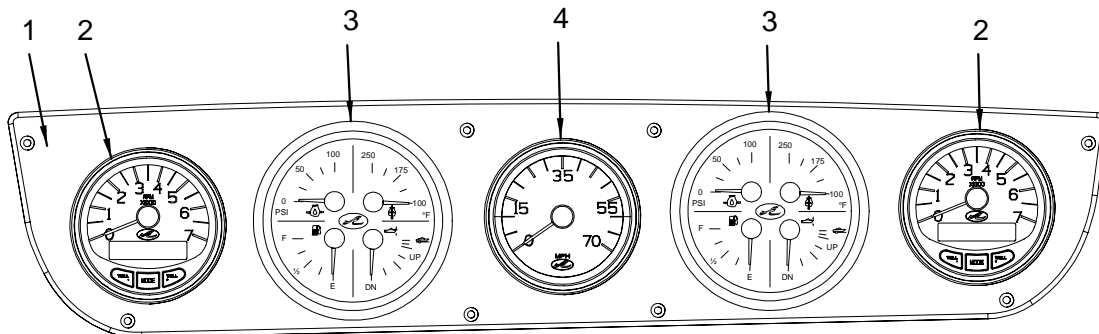
- 1286426 VELCRO, DUAL LOCK CLR 1"X 50YD W/ADH BACK



**COCKPIT SNAP-IN CARPET LINER**

- 1 1910155 350DA 08,CARPET,SNPN CKPT  
(PLEASE SUBMIT CARPET PATTERN TO PRODUCTION FACILITY  
WHEN ORDERING REPLACEMENT CARPET)
- 2 1910156 350DA 08,CARPET,SNPN CKPT ENG HATCH  
(PLEASE SUBMIT CARPET PATTERN TO PRODUCTION FACILITY  
WHEN ORDERING REPLACEMENT CARPET)
- 3 1910157 350DA 08,CARPET,SNPN CKPT CTR FWD  
(PLEASE SUBMIT CARPET PATTERN TO PRODUCTION FACILITY  
WHEN ORDERING REPLACEMENT CARPET)
- 4 1910440 350DA 08,CARPET,SNPN CKPT PRT FWD  
(PLEASE SUBMIT CARPET PATTERN TO PRODUCTION FACILITY  
WHEN ORDERING REPLACEMENT CARPET)
- 5 1910441 350DA 08,CARPET,SNPN CKPT STB FWD  
(PLEASE SUBMIT CARPET PATTERN TO PRODUCTION FACILITY  
WHEN ORDERING REPLACEMENT CARPET)
- 6 1910443 350DA 08,CARPET,SNPN CKPT STB AFT  
(PLEASE SUBMIT CARPET PATTERN TO PRODUCTION FACILITY  
WHEN ORDERING REPLACEMENT CARPET)
- 7 1895033 SNAP BUTTON, W/ 1/8" SS BARREL
- 8 1899026 BINDING, CANVAS 1" BEIGE SNBRLA STRAIGHT
- 1899030 BINDING, CANVAS 1" CDT GRY SNBRLA STRAIGHT
- 9 1163864 SNAP SOCKET, W/ 1/8" HOLE
- 10 154369 SNAP STUD, W/#8 X 3/8" PH SS
- 11 1609916 CARPET, EXT 28 OZ DUNE PEBBLE #902 RL 7"W

**INSTRUMENT PANELS**



**INSTRUMENT PANELS**

- 1 1897668 PANEL, BLANK:350DA-08 INST
- 1937867 PANEL, BLANK:350DA-08 INST DSL  
(TVD-YANMAR 6LPA-STP V/D)
- 2 1909622 GAUGE, SYS TACH 3"SC OMEGA 3
- 1901421 GAUGE, TACH/LCDHOUR 3" 0-4000RPM YANMR W/HRNS  
(T-YANMAR 6LPA-STZP W/BR 3 S/D)(TVD-YANMAR 6LPA-STP  
V/D)
- 1777617 GAUGE, SYS TACH 3" S-CRFT 0-7000RPM RV2  
(NO LONGER AVAILABLE - ORDER 1909622)
- 1689881 GAUGE, LINK TACH 3" S/CRFT 0-6000RPM  
(T-496 MAG SEACORE AXIUS BR3)(T-496 MAG AXIUS BR  
3)(VESSEL VIEW - SMARTCRAFT - GAS TWINS ONLY)
- 1690381 NUT, LOCK 85MM SPIN LOCK VDO
- 3 1768244 GAUGE, 5" 4/1 FUEL/OIL/TMP/TRIM S/CRFT
- 1767744 GAUGE, TELE 4/1 SR5"100PSI 240F VTRIM STB PGT  
(T-YANMAR 6LPA-STZP W/BR 3 S/D)
- 1609007 GAUGE, 5" 4/1 FUEL/VOLT/OIL/TMP S-CRFT  
(TVD-CA-8.1 S HRZ DTS)
- 1767753 GAUGE, TELE 4/1 SR-5"100PSI 240F V/F STB PGTL  
(TVD-YANMAR 6LPA-STP V/D)
- 1690382 NUT, LOCK 110MM SPIN LOCK VDO
- 4 1909621 GAUGE, SYS SPEED 3"SC OMEGA 3
- 1767745 GAUGE, SPEEDO 65 MPH 3" W/PIGTL  
(T-YANMAR 6LPA-STZP W/BR 3 S/D)
- 1777616 GAUGE, SYS SPEED 3"SC 0-70MPH/RV2 POST 2602  
(NO LONGER AVAILABLE - ORDER 1909621)
- 1689917 GAUGE, LINK SPEED 3" S/CRFT 0-70MPH  
(T-496 MAG SEACORE AXIUS BR3)(T-496 MAG AXIUS BR

- 4 1690381 3)(VESSEL VIEW - SMARTCRAFT - GAS TWINS ONLY)  
NUT, LOCK 85MM SPIN LOCK VDO

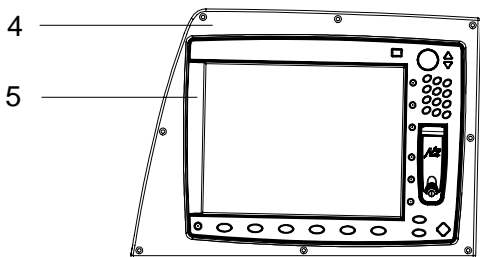
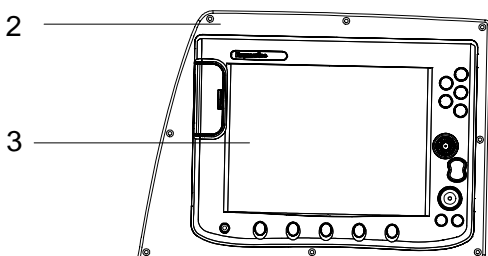
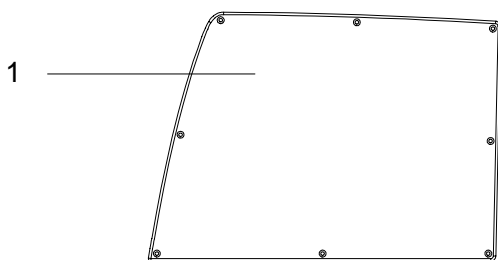
**HARNESSES**

- 1887757 HARNESS, YANMAR 30' ALARM EXTENSION  
(T-YANMAR 6LPA-STZP W/BR 3 S/D)(TVD-YANMAR 6LPA-STP  
V/D)
- 1802105 HARNESS, ENG MERC S-CRFT 14 PIN 20'  
(TVD-YANMAR 6LPA-STP V/D)
- 1815956 HARNESS, CBL ASSY
- 1935425 HARNESS, AXIUS USB DIAGNOSTIC  
(T-496 MAG SEACORE AXIUS BR3)(T-496 MAG AXIUS BR 3)

**NOT SHOWN**

- 1880899 GAUGE, DUAL ALARM YANMAR  
(T-YANMAR 6LPA-STZP W/BR 3 S/D)(TVD-YANMAR 6LPA-STP  
V/D)
- 1901233 ACC PART, MERC S-CRFT WTHR CAP 10POS PLUG

**ELECTRONICS PANEL (PORT)**

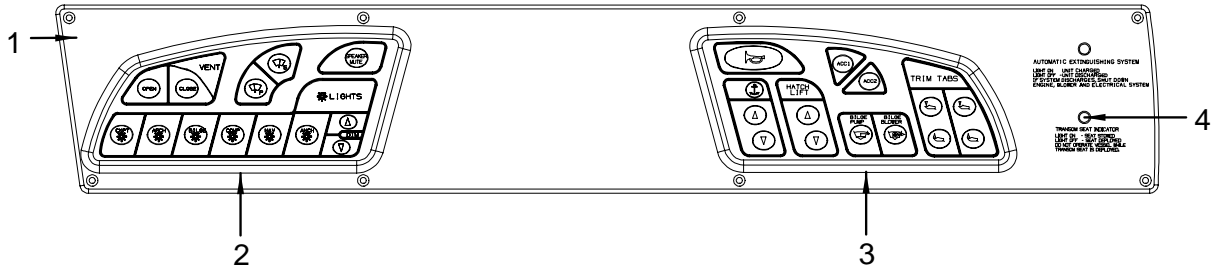


**ELECTRONICS PANEL (PORT)**

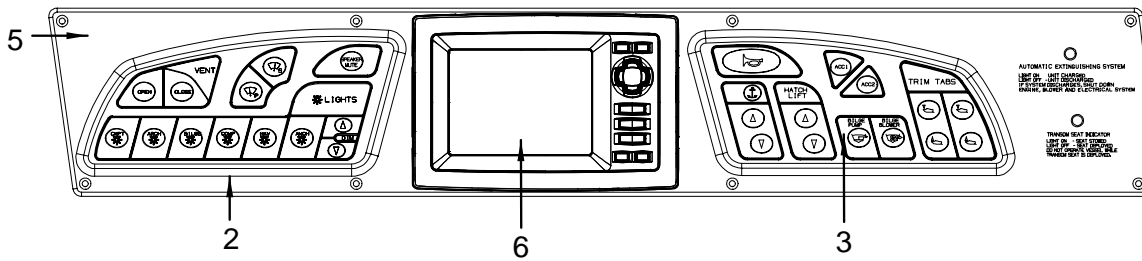
- 1 1897672 PANEL, BLANK:350DA-08 ELEC PRT N/CUTOUT
- 2 1897673 PANEL, BLANK:350DA-08 ELEC PRT W/C120
- 3 1772722 NAVIGATION DISPLAY, RAYMARINE C120 12" CLRLCD
- 4 1897674 PANEL, BLANK:350DA-08 ELEC PRT W/6100I
- 5 1772722 NAVIGATION DISPLAY, RAYMARINE C120 12" CLRLCD

ELECTRONICS PANEL (CENTER)

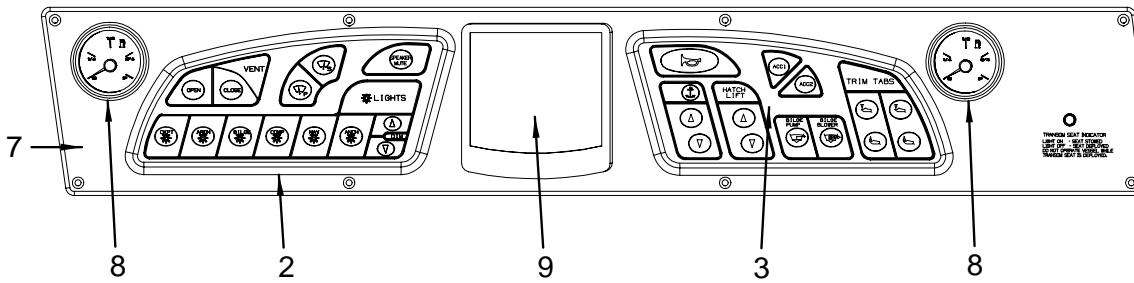
STANDARD



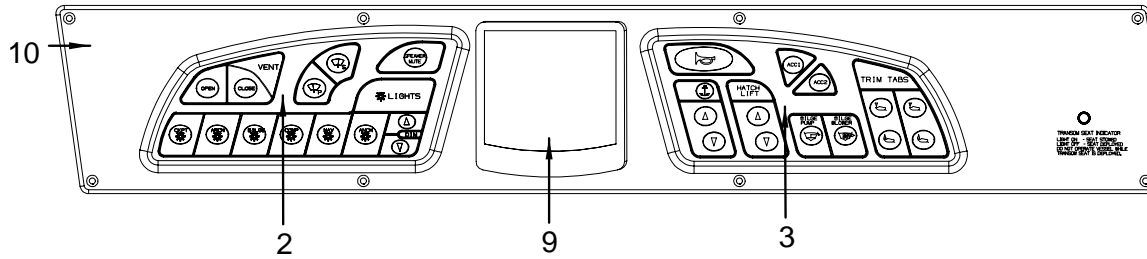
GAS WITH VESSEL VIEW



DIESEL STERN DRIVE



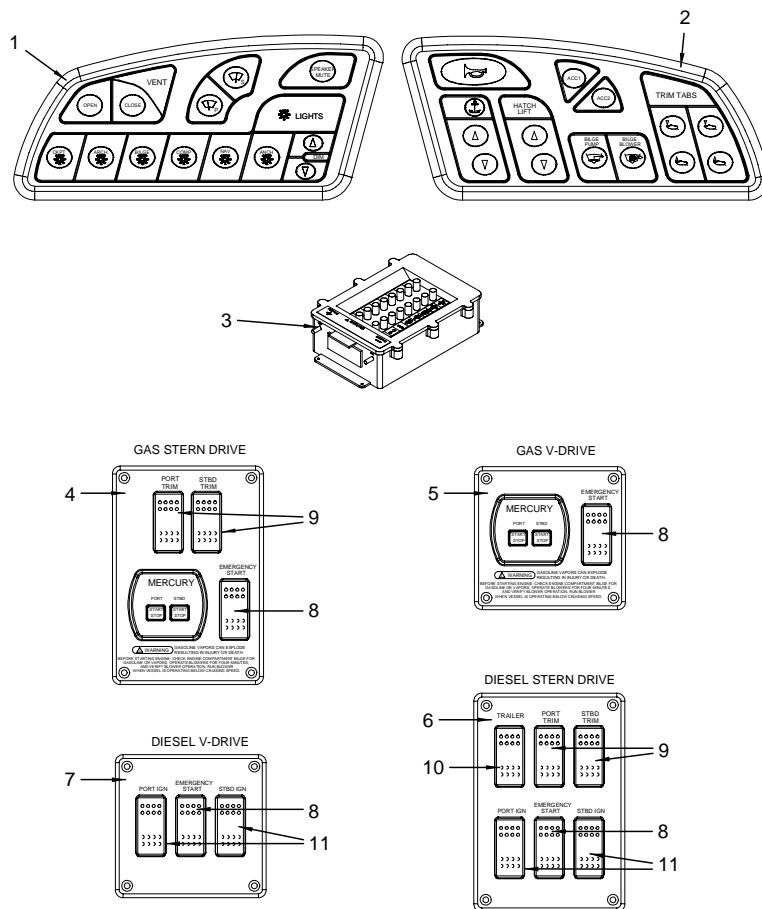
DIESEL V-DRIVE



**ELECTRONICS PANEL (CENTER)**

- 1 1897669 PANEL, BLANK:350DA-08 ELEC CTR
- 2 1900168 MODULE, ELEC SWPAD S-CRUISER PRT 08
- 3 1900175 MODULE, ELEC SWPAD S-CRUISER STB 08
- 4 1887703 LIGHT, INDICATOR GREEN 15V
- 5 1897670 PANEL, BLANK:350DA-08 ELEC CTR W/VSLVW
- 6 1890259 ACC PART, MERC S-CRFT VESSEL VIEW
- 7 1897671 PANEL, BLANK:350DA-08 ELEC CTR S/D DSL
- 8 1767746 GAUGE, FUEL 2" SGL STA 12V W/PIGTL
- 9 1850928 TRIDATA, RAYTHEON (DEPTH,SPEED,TEMP,LOG0 PLUS
- 10 1897679 PANEL, BLANK:350DA-08 ELEC CTR V/D DSL

SWITCH PANEL

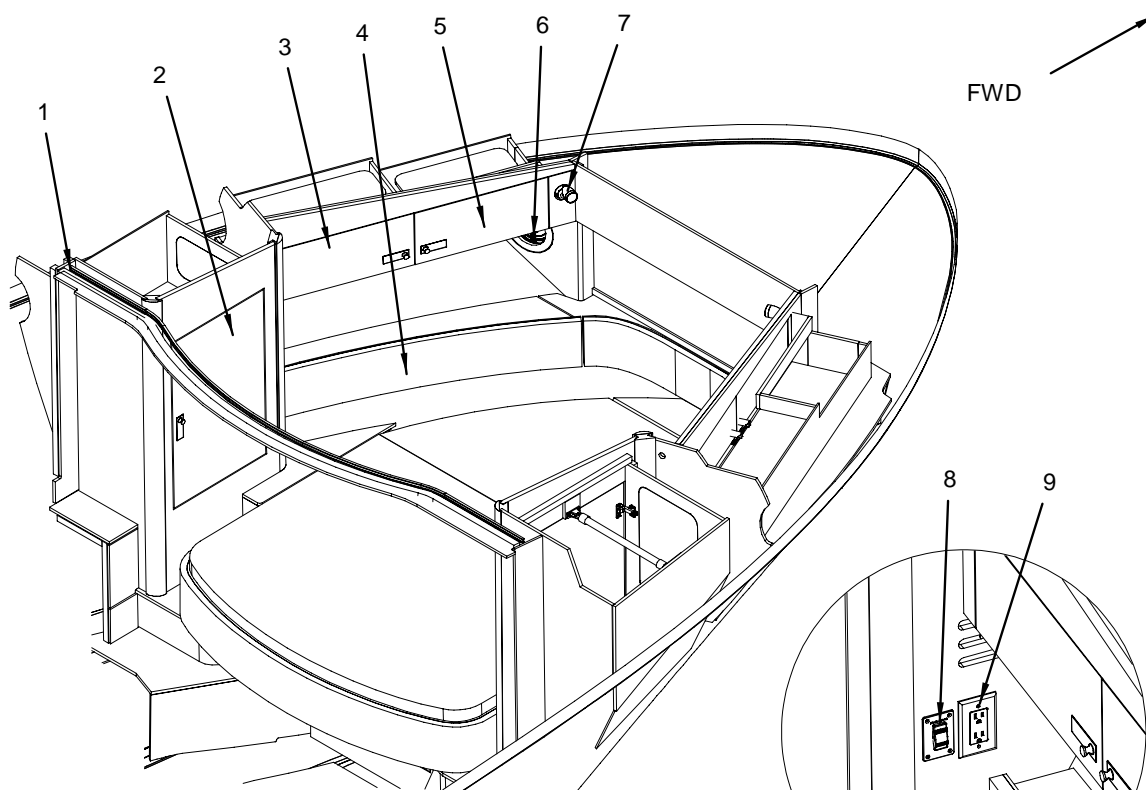


SWITCH PANEL

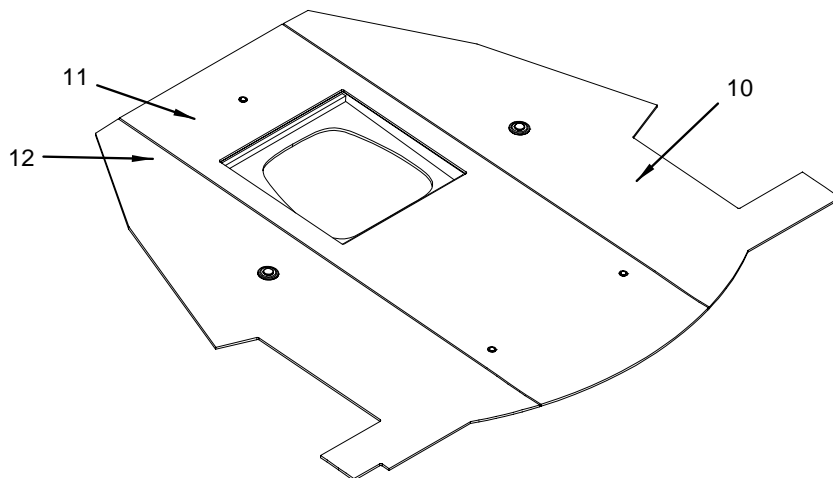
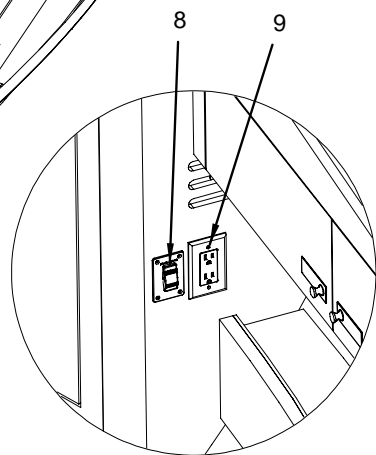
- 1 1900168 MODULE, ELEC SWPAD S-CRUISER PRT 08
- 2 1900175 MODULE, ELEC SWPAD S-CRUISER STB 08
- 3 1907501 MODULE, PME INTERFACE S-CRUISER
- 4 1897684 PANEL, 350DA-08 SW S/D GAS DTS
- 1897675 PANEL, BLANK:350DA-08 SW S/D GAS
- 1781396 SWITCH, START/STOP DUAL ENG KIT DTS
- 5 1897683 PANEL, 350DA-08 SW V/D GAS DTS
- 1897676 PANEL, BLANK:350DA-08 SW V/D GAS
- 1781396 SWITCH, START/STOP DUAL ENG KIT DTS
- 6 1897682 PANEL, 350DA-08 SW S/D DSL
- 1897677 PANEL, BLANK:350DA-08 SW S/D DSL
- 7 1897681 PANEL, 350DA-08 SW V/D DSL
- 1897678 PANEL, BLANK:350DA-08 SW V/D DSL
- 8 1526698 BODY, ROCK SW DPST MOM W/O BARRIER
- 1457167 ACTUATOR, ROCK BLK W/O LENS ENG STRT CNTRL4
- 9 670539 BODY, ROCK SW DPST MOM
- 840918 ACTUATOR, ROCK VERT BLK W/O LENS PROPUL TRIM
- 10 670539 BODY, ROCK SW DPST MOM
- 840926 ACTUATOR, ROCK VERT BLK W/O LENS TRAILER
- 11 1544196 SWITCH, DBL 2-CIRCUIT PROGRESSIVE
- 1323070 ACTUATOR, ROCK BLK W/O LENS ENG STRT/STP



FORWARD STATEROOM (PORT VIEW)



CEILING PANELS  
VIEW INVERTED FOR CLARITY



**FORWARD STATEROOM (PORT VIEW)**

1	737239	TRACK, ALUM CURT TRK 8' I BEAM TYPE
	186676	UPH PARTS, DRAPE CEILING BRKT
	157461	UPH PARTS, END STOP W/LOOP
	221325	UPH PARTS, END STOP W/SCREW
2	1906110	350DA 08,DOOR,FWD STRM PRT H/L
3	1906143	350DA 08,DOOR,FWD STRM PRT AFT GNWL
4	1906146	350DA 08,BLSTR,FWD STRM PRT
5	1906147	350DA 08,DOOR,FWD STRM PRT FWD GNWL
6	1690557	SPEAKER, COAXIAL 6.5" N/CVR
7	1803184	SPOTLIGHT, SWVL TASK BRSHD SS W/SW/CONN
	1820310	BULB, REPL FOR #1803184/1831205 (PART OF 1803184)
8	1688434	PANEL, 340DA-03 SLN/FWD STRM LIGHT SW BLK
	1541655	ACTUATOR, ROCK SWITCH-LIGHTS BLK (PART OF 1688434)
	797761	BODY, ROCK SW SPST BLK 12V INCAND NON-LIT (PART OF 1688434)
9	1787506	RECEPTACLE, DUPLEX BLACK 15A
	1787521	COVER PLATE, SGL DUPLEX RECEPT BLK LVT
	627737	BOX, RECEPTACLE/SWITCH PVC 1-GANG DEEP
10	1906148	350DA 08,PANEL,CEILING FWD STRM PRT
11	1906149	350DA 08,PANEL,CEILING FWD STRM CTR
12	1906150	350DA 08,PANEL,CEILING FWD STRM STB

**BOLSTERS**

1883621	FABRIC, COLLINS/MOCHA FLAT
1883625	FABRIC, PALM/SISAL FLAT
1883657	FABRIC, SANTIAGO/BONE FLAT
1883634	FABRIC, PRINCETON II/KHAKI FLAT

**BRACKETS**

836007	BRACKET, ALUM 1.5"X 1.5"X 3" 3/16"HOLES
952804	BRACKET, ALUM 2"X 1/8"X 5" 8@3/16"HOLES

**BUNK BASE TOP**

1883894	FABRIC, GEOMETRIC CRM (NDLPNCH) W/BACK
1890128	FABRIC, SANTIAGO/BONE-6"DIA QLT 10 OZ/AC/B

**BUNK BOLSTER**

1004050	VINYL, ULTRALTHR BUFF
845594	VINYL, ULTRALTHR DOE

**CURTAINS**

1937225	CURTAIN, 350DA-08 REGAL SATIN/PORCLN FWD PRIV
---------	---

**CUSHION MATERIAL**

1890126	FABRIC, COLLINS/MOCHA-6"DIA QLT 10 OZ/AC/B
1890127	FABRIC, PALM/SISAL-6"DIA QLT 10 OZ/AC/B
1890128	FABRIC, SANTIAGO/BONE-6"DIA QLT 10 OZ/AC/B
1890129	FABRIC, PRINCETN II/KHAKI-6"DIA QLT 10OZ/AC/B

**DOOR BUMPER**

1893700	BUMPER, CLEAR 3/8"W X 5/32"T
663708	BUMPER, CLEAR .020" THICK

**DOOR HARDWARE**

525667	HINGE, CONCEALED FULL OVERLAY MT PLATE ONLY
--------	---

**ELECTRONICS**

1849112	TELEVISION, 17" JENSEN LCD FLP-DWN W/DVD 16:9 (TV 17"FD /DVD W/GAMING PORT-V-BERTH NTSC/ZF)(HEADPHONES ARE NOT INCLUDED)
1893388	REMOTE, TV JENSEN LCD FLP-DWN W/DVD (PART OF 1849112)
1818575	CABLE, RCA AUDIO 1M W/EFX-2 CONNECTORS (TV 17"FD /DVD W/GAMING PORT-V-BERTH NTSC/ZF)
1889611	VIDEO EQUIPMENT, WIRELESS HEADPHONE (JENSEN) (TV 17"FD /DVD W/GAMING PORT-V-BERTH NTSC/ZF)(NOT INCLUDED WITH TELEVISION)
1905997	HARNES, 350DA-08 TV/DVD FWD STRM COAX (TV 17"FD /DVD W/GAMING PORT-V-BERTH NTSC/ZF)

**FOAM**

1900868	FOAM, P/C 350DA-08 FWD STRM CUSH W/VSCO ELSTC
1900878	FOAM, P/C 350DA-08 FWD STRM BLSTR ST

**HEAD LINER**

989426	VINYL, ALLANTE II BLK EXP FLAT
--------	--------------------------------

**HEADLINER/HULL LINER/WASHABLE SURFACE**

1904765	VINYL, PORTOFINO MARBLE N/W FLAT OMNOVA
1904769	VINYL, PORTOFINO MARBLE N/W 1/2"FB OMNOVA

**LIGHTS**

1803185	LIGHT, INDIRECT LED WHT BUTTON W/COLLAR/CONN (LED BULB NOT REPLACEABLE)
1819777	LIGHT, DAVID-EYEBALL SAT/INCKL RNG/FRST W/CONN
1448463	BULB, XENON 12V/10W (PART OF 1819777)
947796	BULB, REPL FOR TEBE/CHARLY BOY/SAMPEI/DAVID

**NOT SHOWN**

1879442	BOARD, HDPE 3/4"X14"X1.5"VBRTH SLID SUPRT PRL
1939174	CABLE, DIN EXT 1M
1687313	STAY, ROD LCKR DOOR SUPPORT RH
1687312	STAY, ROD LCKR DOOR SUPPORT LH

**PILLOW PACKAGE SET**

1887838	PILLOW PKG, 2008 SC1B VBRTH/MIDCAB (4)
1887837	PILLOW PKG, 2008 SC1A VBRTH/MIDCAB (4)
1887839	PILLOW PKG, 2008 SC3A VBRTH/MIDCAB (4)
1887840	PILLOW PKG, 2008 SC3B VBRTH/MIDCAB (4)

**SPEAKER FABRIC**

1892967	FABRIC, SPKR CLOTH CREPE ALABASTR 3001 1/8"FB
---------	---

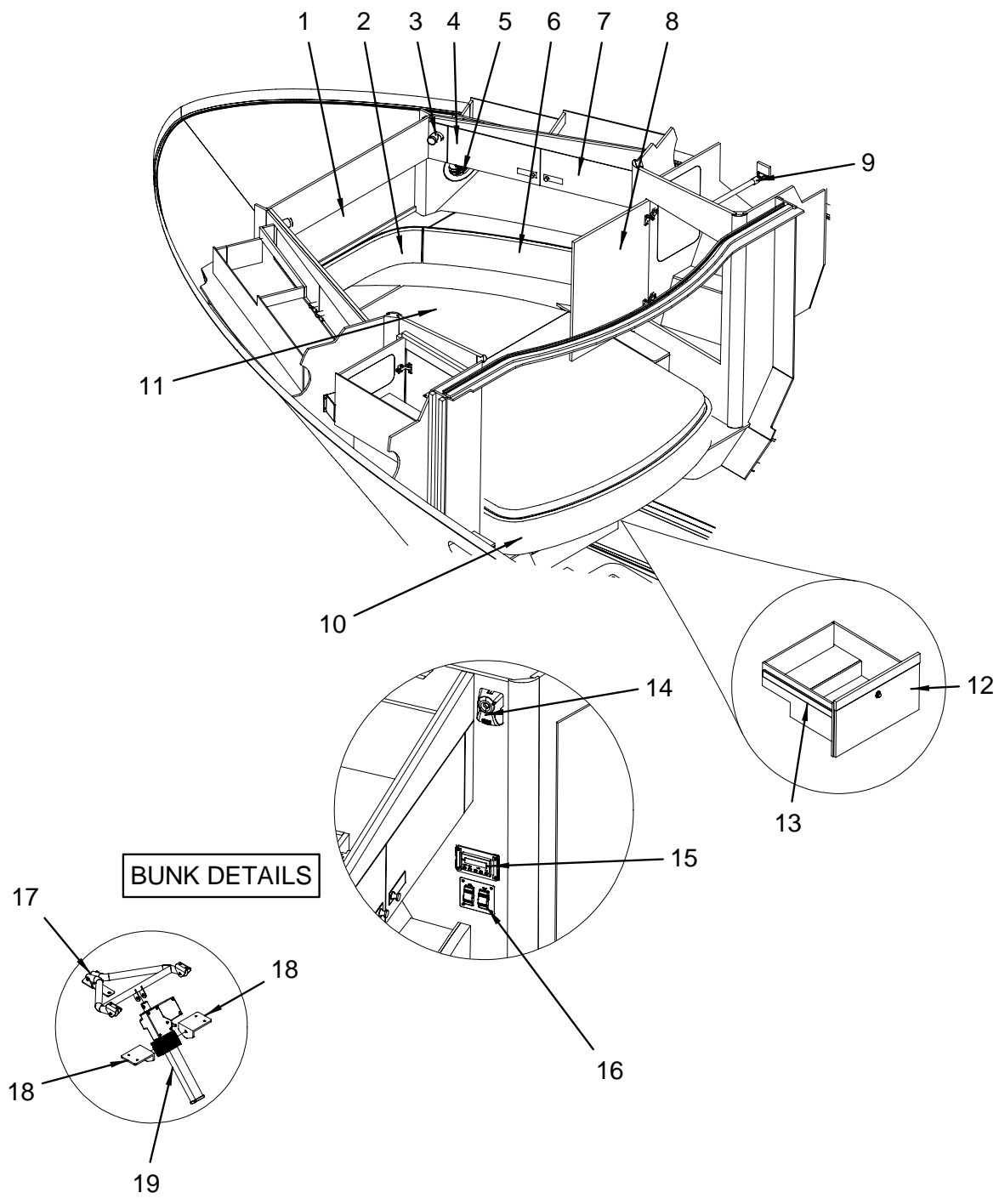
**UPHOLSTERY MATERIALS**

103309	MESH, WHITE 60"
180406	SLIDE, DELRIN #5 WHT 1-S LOCK

**VELCRO**

178517	VELCRO, LOOP WHT 2"
828434	VELCRO, HOOK WHT 2" (SEW ON)

FORWARD STATEROOM (STARBOARD VIEW)



**FORWARD STATEROOM (STARBOARD VIEW)**

- 1 1690980 MIRROR, 1/8"X 15.5"X 44.5"POL EDGES
- 2 1907397 350DA 08,BLSTR,FWD STRM CTR
- 1907398 350DA 08,BLSTR SKN,FWD STRM CTR
- 3 1803184 SPOTLIGHT, SWVL TASK BRSHD SS W/SW/CONN
- 1820310 BULB, REPL FOR #1803184/1831205  
(PART OF 1803184)
- 4 1907399 350DA 08,DOOR,FWD STRM STB FWD GNWL
- 5 1690557 SPEAKER, COAXIAL 6.5" N/CVR
- 6 1907401 350DA 08,BLSTR,FWD STRM STB
- 1907402 350DA 08,BLSTR SKN,FWD STRM STB
- 7 1907400 350DA 08,DOOR,FWD STRM STB AFT GNWL
- 8 1907403 350DA 08,DOOR,FWD STRM STB H/L
- 9 556811 BAR, HANGING ROD (CLOTHES) ALUM 20"
- 10 1907404 350DA 08,BLSTR,FWD STRM BUNK
- 1907405 350DA 08,BLSTR SKN,FWD STRM BUNK
- 11 1911128 350DA 08,MATTRESS,FWD STRM
- 1911129 350DA 08,MATTRESS SKN,FWD STRM
- 1938686 SHEET, 350DA-08 FWDSTRM FITTED W/PLWCS RV1  
(HULL# 1230 -> UP)
- 1908202 SHEET, 350DA-08 FWDSTRM FITTED W/PLWCS  
(HULL# 1201 -> 1229)
- 12 1907406 350DA 08,DRWR,FWD STRM BUNK
- 13 1772574 DRAWER SLIDE, 24" ACCURIDE
- 14 1816919 MONITOR, CO DETECTOR WHT CMD-4-RLY
- 1816921 PLATE, CO MONITOR BCKNG CMD-4M-RLY-FCB W/CONN
- 15 1907874 A/C COMP, CONTROLLER QHT DISPLAY
- 1818834 COVER PLATE, IDEA-SERIES 3-GANG BRSH NCK SQR
- 16 1902504 PANEL, 350DA-08 CABIN LT SW SNGL/DUAL BLK
- 1541655 ACTUATOR, ROCK SWITCH-LIGHTS BLK  
(OVRHD LTS)
- 877225 SWITCH, ROCKER 'V' SPST ON-OFF  
(OVRHD LTS)
- 1541655 ACTUATOR, ROCK SWITCH-LIGHTS BLK  
(CABIN INDIRECT LIGHTING)
- 1800072 BODY, ROCK SW SPDT ON-ON  
(CABIN INDIRECT LIGHTING)
- 17 1887093 INVERTER, XPOWER 450 XANTREX 12VDC
- 1854354 HINGE, LIFT ARM ASSY VBRTH BNK SS 330DA-08
- 1883889 BOX, BUNK ACTUATOR CNTRL
- 1883987 REMOTE, BUNK ACTUATOR HANDSET
- 1787231 HINGE, SS CONT 2.5"X 36" POLISHED
- 1903952 GROMMET, PLAS BLKHD PASS-THRU BLK
- 1883986 ROLLER, MICRO UTILITY CARS W/1/4"HOLE
- 1883984 TRACK, ALUM LOW BEAM MICRO 1.2M 3.93"BLK ANOD
- 18 1874350 BRACKET, SS 1/4"X 4"X 3"ACTUATOR
- 19 1883888 ACTUATOR, ELEC BUNK LIFT 9.84"12V 562LB THRST

**LIGHTS**

- 1900646 LIGHT, COURTESY OBLNG LED BRSHD SS SURF W/CONN

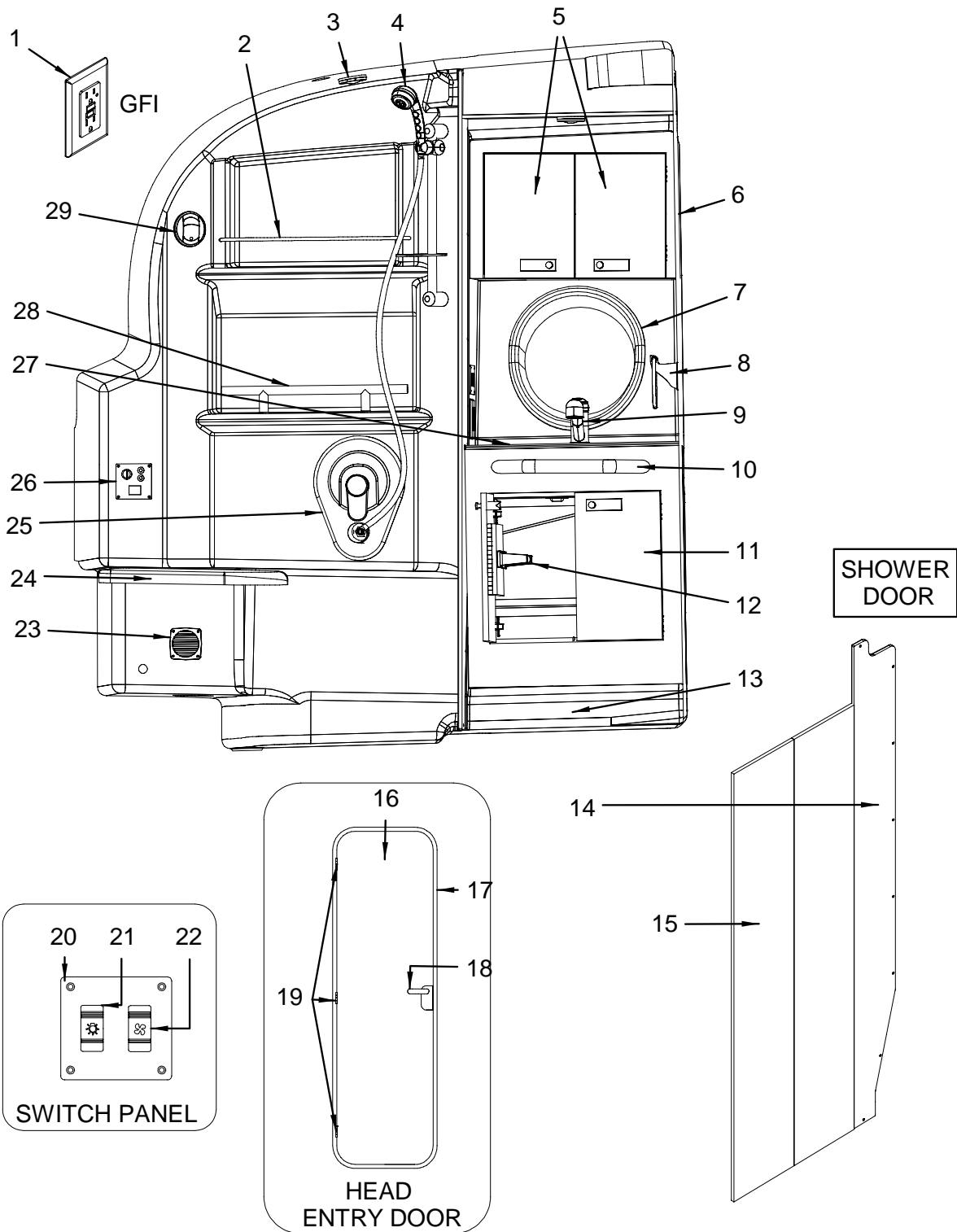
**NOT SHOWN**

- 1901502 MAPLE, MED CHRY TRIM INTL WALL 96"
- 1909234 INSERT, PLEX 350DA-08 INT'L WALL DOOR BLK
- 1909266 TOP, CORIAN 350DA-08 SLN FWD ENDTBL INTL AUR
- 1909406 HANDLE, SS PULL 1.5"X 7"SATIN
- 1909408 CATCH, BRASS PRESS-FIT W/BALL-HEAD MNTD SCREW
- 1909419 TRACK, ALUM LOW BEAM MICRO CRVD 54 1/8"BLKAND
- 1909424 MAPLE, 67 1/8"X14"PRT LUV INTLWALL PNL MDCHRY
- 1909429 MAPLE, P/C 1"X1/4"X67 1/8"W/1/8"RD CRNR MDCHY
- 1909436 MAPLE, P/C 1"X1/4"X12"W/1/8"RD CRNR CRVD MDCHY
- 1942139 SHIM, ABS SLIDING DOOR STOP L-SHPD 1/8"BLK

**NOT SHOWN ELECTRICAL**

- 1787506 RECEPTACLE, DUPLEX BLACK 15A
- 1787521 COVER PLATE, SGL DUPLEX RECEPT BLK LVT
- 627737 BOX, RECEPTACLE/SWITCH PVC 1-GANG DEEP

PORT HEAD



**PORT HEAD**

1	1881816	RECEPTACLE, GFCI DPLX WHT W/IND/SMRTLCK 15A
2	1896176	RAIL, GRAB 3/8"OD X 21.5"BRSHD
3	1891781	LIGHT, RECESSED W/CLR LNS SATNCK 10WHAL W/CON
4	1907844	SHOWER ASSY, HEAD/18"BAR/DSH/LVRHNDL BRNCKL
5	1911121	350DA 08,DOOR,VANITY UPR LH
	1911122	350DA 08,DOOR,VANITY UPR RH
6	1907483	MIRROR, 1/8"X 10"X 14"POL EDGES
	195032	HINGE, AL CONT 1.25" X 72" BRITE
7	1896458	TRIM RING, V/F PORTLIGHT INNER RND 08 PRL
8	1743969	HOLDER, TOWEL RING PLAT/CHR VILLETA SERIES
9	1908681	FAUCET, HEAD SML SNGL LVR 5.5"RISE BRSHD NCKL
10	1878208	RAIL, GRAB 18" OVAL W/STUD BRSHD 316L
11	1911123	350DA 08,DOOR,VANITY LWR LH
	1911125	350DA 08,DOOR,VANITY LWR RH
12	1155241	HOLDER, TOILET PAPER WALL MNT WHT ROLLER
13	1898248	TEAK, P/C 350DA-08 HEAD FLOOR W/BRDR/PSA
14	1896460	BLKHD, PLEX 350DA-08 HEAD SHWR DIVIDER
15	1898250	DOOR, PLEX 350DA-08 BI-FOLD SHWR DOOR
16	1911126	350DA 08,DOOR,HEAD
	1942993	MIRROR, 1/8"X 17.5"X 61 3/4"CLEAR
17	1577618	FRAME, ALUM 64"X 19 5/8" ARC WHT
18	1776672	LATCH, OFFSHR FLSH LH-OUT PRVKNB SAT/NCK 5/8"
19	132324	HINGE, BUTT CHROME/ZINC 2"
20	1581917	PANEL, HEAD LIGHT/PWR VENT SW (SEE REF# 21,22 FOR PARTS OF APRTS BREAKDOWN)
21	1541655	ACTUATOR, ROCK SWITCH-LIGHTS BLK
	797761	BODY, ROCK SW SPST BLK 12V INCAND NON-LIT
22	1647577	ACTUATOR, ROCK SWITCH-POWER VENT BLK
	1609312	BODY, ROCK SW SPDT BLK 12V INCAND NON-LIT
23	1052059	VENT, LOUVERED 3 5/8"X 3 5/8" BLK
24	1802215	COVER, MARS TOILET LID CMPLT PRL 06
	140285	HINGE, SS CONT 2"X 72" (.225 CURL WIDTH)
25	1902871	PLATE, PLEX CRUSR SHWR MXR ACCESS PRL TEARDRP
	1887522	SHIM, HDPE 3/4"X 4"X 3.25"SHWR MXR PLATE ARW
26	1802480	PANEL, 290DA-06 WASTE SYS CNTRL
27	1897338	TOP, CORIAN 350DA-08 HEAD VAN AURORA
	1916503	SINK, SS OVAL 10.5"X 13.25"BRSHD
28	1896175	RAIL, GRAB 3/4"OD X21 1/8" W/2STNCHN BRSHD
29	1322940	A/C COMP, GRILL 3" BLK W/DBL LVR

**DOOR BUMPER**

622050	BUMPER, CLEAR THIN 3/8"
--------	-------------------------

**DOOR HARDWARE**

1437219	PULL, DOOR FLUSH MIRROR CHR
847327	PLATE, STRIKER MOBELLA 13/16"WIDE
525667	HINGE, CONCEALED FULL OVERLAY MT PLATE ONLY

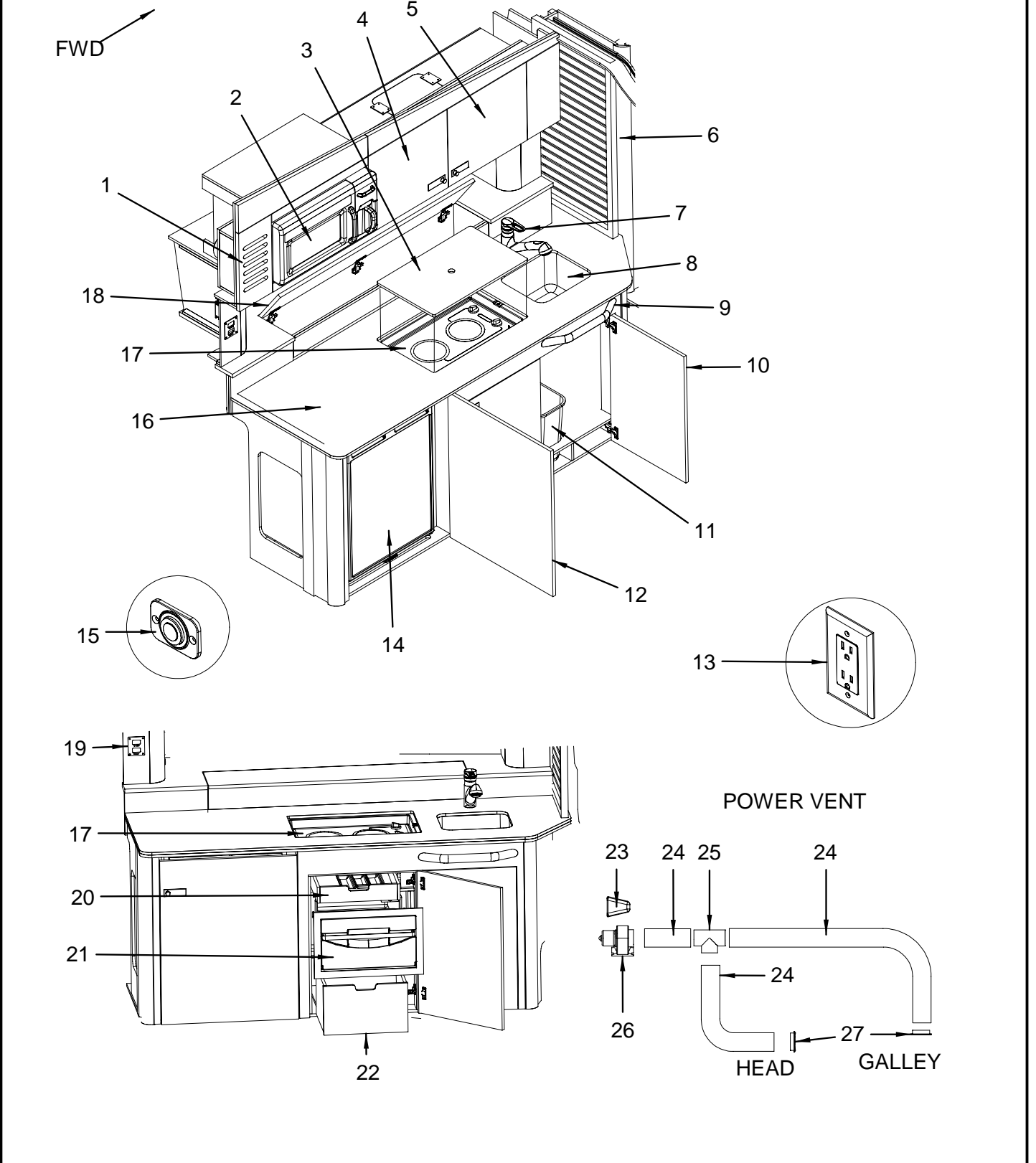
**FLOORING**

1898249	TEAK, P/C 350DA-08 SHWR FLOOR W/BRDR/PSA
---------	--

**NOT SHOWN**

1940428	COVER, HDPE ACCESS 8"X 14"X 1/4"LTGRY
1846853	HEAD, VACU-FLUSH BONE 5006 BTM DCHG LOW PRFLE
1872707	HEAD, SEAT ASSY VAC-FLUSH BONE 5048 BACK DIS (PART OF 1846853)

GALLEY

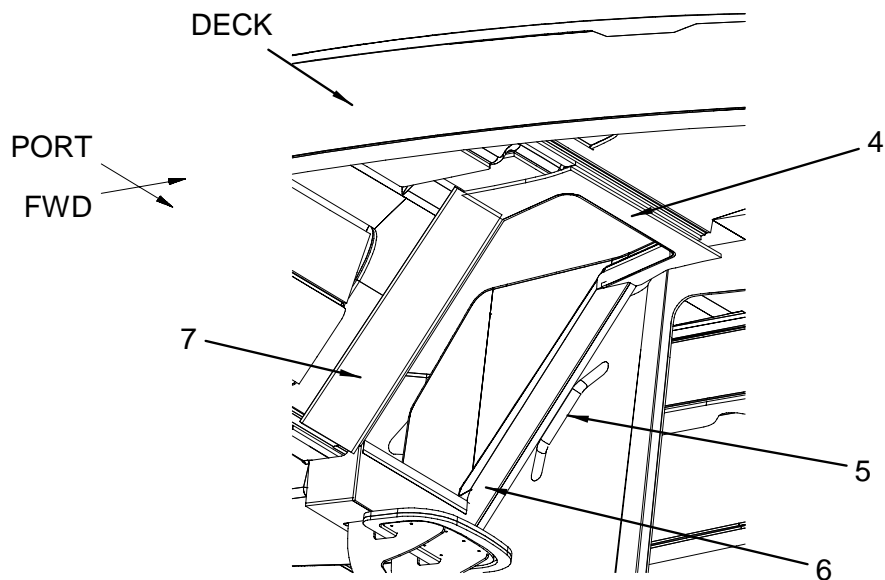
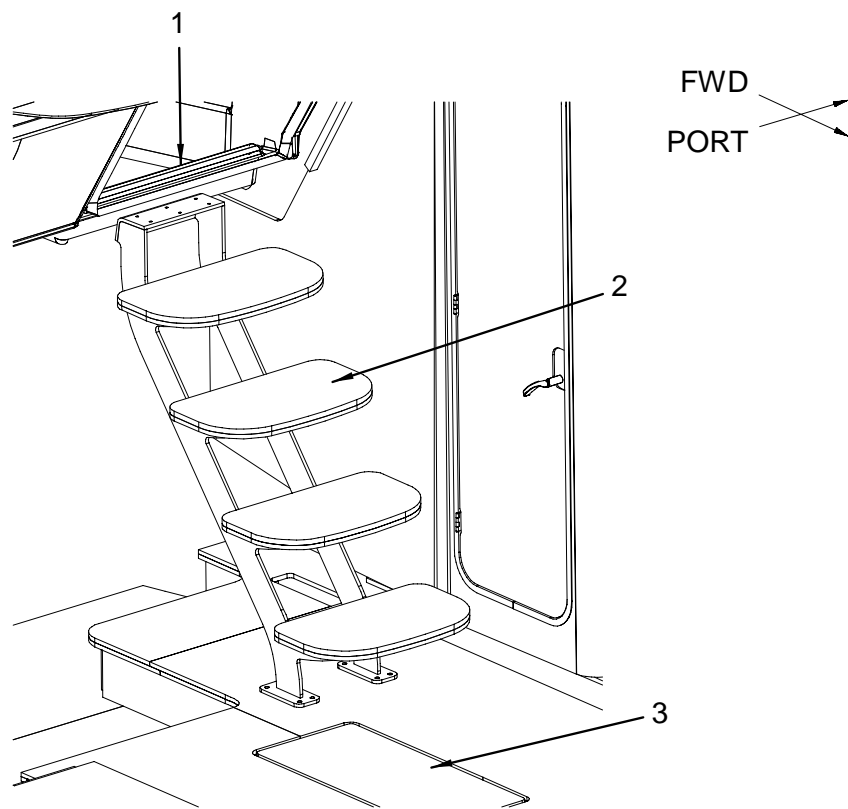


**GALLEY**

1	1052059	VENT, LOUVERED 3 5/8" X 3 5/8" BLK	22	1908143	350DA 08, DRWR, GLY LWR
2	1784446	MICROWAVE, 1.2CF W/COFFEE MAKER		1727147	DRAWER SLIDE, ROLLER METAL 12" ALFIT 1702
	1850334	MICROWAVE, RING W/WHEELS	23	688721	COVER, CUSTOM CLAMSHELL (ABS/DR)
		(PART OF 1784446)	24	124024	HOSE, VENT/BLOWER 3" EX HVY DTY
	1850337	MICROWAVE, GLASS PLATE		256727	CLAMP, HOSE #48 1 5/8"-3.5" SS .505
		(PART OF 1784446)	25	279166	TEE, PVC 2"HUB X HUB X HUB DWV
	1850338	MICROWAVE, COFFEE POT	26	1819766	BLOWER, BILGE 3" FACE MNT #5412 W/CONN
		(PART OF 1784446)	27	948968	A/C COMP, HOSE RING 3" PLAS ROUND
	1850339	MICROWAVE, FILTER BASKET			
		(PART OF 1784446)	<b>BLINDS</b>		
	1948838	MICROWAVE, SYLVANIA 0.6CF BLK 220V		1904245	BLINDS, 350DA-08 GLY PLTD SHAD BONE 60.5X14
	1787507	RECEPTACLE, DUPLEX BRN 15A LVT			
	1787508	COVER PLATE, SGL DUPLEX RECEPT BRN LVT	<b>BRACKETS</b>		
	627737	BOX, RECEPTACLE/SWITCH PVC 1-GANG DEEP		835835	BRACKET, ALUM 1"X 1"X 3" 3/16"HOLES 2SIDES
	156893	WEBBING, POLYPROPYLENE 1" BLACK		952895	BRACKET, ALUM 2"X 1/8"X 3" 2@3/16"HOLES WIDE
3	1891917	COVER, CORIAN 310/330DA-08 STOVE AURORA		952929	BRACKET, ALUM 1"X 1/8"X 3" 3/16"HOLES
4	1908137	350DA 08, DOOR, GLY UPR AFT	<b>CEILING PANELS</b>		
5	1908138	350DA 08, DOOR, GLY UPR FWD		1883990	TRIM RING, T/F SKYLIGHT UPR CUSTOM PRT TAN
6	1898312	MAPLE, 36"X16" LUV ACNT PNL MEDCHRY 60SHN		1883991	TRIM RING, T/F SKYLIGHT LWR CUSTOM PRT TAN
7	1895055	FAUCET, GLY SNGL LVR 7.2"RISE BR/NI PULLOUT	<b>DOOR HARDWARE</b>		
	1908583	VALVE, HEAD/GLY FAUCET F/97800 & 97810			
		(PART OF 1895055)		1381201	HINGE, CONCEALED MT PLATE ONLY BLUM
	1908584	SHOWER ASSY, SS SPRAYER HOSE F/97800 & 97810		525667	HINGE, CONCEALED FULL OVERLAY MT PLATE ONLY
		(PART OF 1895055)		525667	HINGE, CONCEALED FULL OVERLAY MT PLATE ONLY
	1908585	FAUCET, HDWR MNTG KIT F/1895055 & 1895059		839399	HINGE, SELF CLOSING BLUM SCREW-ON
		(PART OF 1895055)		663708	BUMPER, CLEAR .020" THICK
	1908586	FAUCET, SS HOT/COLD RISER	<b>ELECTRICAL</b>		
		(PART OF 1895055)		1787565	RECEPTACLE, LEVITON EXT W/CVR 220/50 GERMAN
	1908587	FAUCET, LEVER HNDL ALAN SCREW			(220 VOLT / 50 CYCLE)
		(PART OF 1895055)		893289	FRAME, IDEA-SERIES 3-GANG SUPPORT FRAME GREY
	1908588	FAUCET, RED/BLUE DOT			(220 VOLT / 50 CYCLE)
		(PART OF 1895055)		975011	SWITCH, BLANK IDEA-SERIES WHT
	1908589	FAUCET, LEVER MIXER HNDL			(220 VOLT / 50 CYCLE)
		(PART OF 1895055)		975029	COVER PLATE, IDEA-SERIES 3-GANG WHT
	1908590	FAUCET, HOSE/SPRAY HEAD GASKET			(220 VOLT / 50 CYCLE)
		(PART OF 1895055)		975037	BRKR, IDEA 230V 2P EURO GFCI 16A 10MA WHT
	1908591	FAUCET, HOSE WEIGHT F/97800/97810/98656			(220 VOLT / 50 CYCLE)
		(PART OF 1895055)	<b>FABRICS</b>		
	1908594	FAUCET, SPRAY HEAD ONLY F/97810		1883894	FABRIC, GEOMETRIC CRM (NDLPNCH) W/BACK
		(PART OF 1895055)	<b>LIGHTS</b>		
	1789686	ADAPTER, ZURN STRAIGHT 1/2" SWIVEL		1803185	LIGHT, INDIRECT LED WHT BUTTON W/COLLAR/CONN
8	1903916	SINK, SS RECT 11.5"X13.75"X7 7/8"BRSHD UNDRMT			(LED BULB NOT REPLACEABLE)
	175687	DRAIN, SINK STRAINER 2.5" SS W/5/8"BARB		947796	BULB, REPL FOR TEBE/CHARLY BOY/SAMPEI/DAVID
	1839033	DRAIN, SINK STRAINER BASKET ONLY		1819777	LIGHT, DAVID-EYEBALL SAT/NCKL RNG/FRST W/CONN
		(PART OF 175687)		1448463	BULB, XENON 12V/10W
9	1878208	RAIL, GRAB 18" OVAL W/STUD BRSHD 316L			(REPL BULB FOR 1819777)
10	1908139	350DA 08, DOOR, GLY LWR FWD	<b>VALANCES</b>		
11	431098	BASKET, TRASH 11 3/8"X 8.25"X 12 1/8" BEIGE		1004050	VINYL, ULTRALTHR BUFF
12	1908140	350DA 08, DOOR, GLY LWR AFT		845594	VINYL, ULTRALTHR DOE
13	1787506	RECEPTACLE, DUPLEX BLACK 15A			
	1787521	COVER PLATE, SGL DUPLEX RECEPT BLK LVT			
	627737	BOX, RECEPTACLE/SWITCH PVC 1-GANG DEEP			
14	1905494	REFRIGERATOR, 3.9CF 12/24DC 110/220AC BLKFRAM			
	1787507	RECEPTACLE, DUPLEX BRN 15A LVT			
	1787508	COVER PLATE, SGL DUPLEX RECEPT BRN LVT			
15	1287283	RECEPTACLE, FEMALE 12V LONG THRD BLK			
	1259977	PLATE, FEMALE 12V RECEPTACLE MNT			
16	1898603	TOP, CORIAN 350DA-08 GLY W/ELEC STOVE AURORA			
	1898604	TOP, CORIAN 350DA-08 GLY SIDESPLSH AURORA			
17	1182997	STOVE, ELEC 2-BURNER CARIBBEAN COOKTOP 110			
	1183003	STOVE, ELEC 2-BURNER CARIBBEAN COOKTOP 220V			
	1897478	FBRGLS PART, STOVE INSERT 2-BURNER BLK			
	1817495	RELAY, 120VAC 30 AMP SPDT			
	583906	RELAY, 240VAC 50/60 HZ 20 AMP DPDT			
	1194539	SWITCH, PUSH-BUTTON STOVE W/48"20GA WIRE 12OZ			
	144907	COVER PLATE, SWITCH BOX BLUE PVC			
	144899	BOX, PVC SWITCH BOX			
18	1908141	350DA 08, LID, GLY MID STRG			
	1905419	MAPLE, P/C CRNR TRIM 46"MEDCHRY 60SHN			
	1905450	MAPLE, P/C CRNR TRIM 14"MEDCHRY 60SHN			
19	1902506	PANEL, 350DA-08 GLY LIGHT/WNT SW BEIGE			
	1609858	ACTUATOR, ROCK SWITCH-LIGHTS BLK 90DEG ICON			
		(LIGHTS)			
	797761	BODY, ROCK SW SPST BLK 12V INCAND NON-LIT			
		(LIGHTS)			
	1609338	ACTUATOR, ROCK SWITCH-LIGHTS BLK			
		(POWER VENT)			
	1609312	BODY, ROCK SW SPDT BLK 12V INCAND NON-LIT			
		(POWER VENT)			
20	1908142	350DA 08, DRWR, GLY UPR			
	777102	TRAY, "REV-A-SHELF" CUTLERY TRAY 12"			
	1547256	DRAWER SLIDE, 16" ACCURIDE			
21	1846980	REFRIGERATOR, 1.3CF DRAWER 12/24VDC BLK DOOR			



COMPANIONWAY AND ENTRY STEPS



**COMPANIONWAY AND ENTRY STEPS**

- 1 1901221 THRESHOLD, SS 350DA-08 ENTRYWAY 25 3/8"
- 2 1878208 RAIL, GRAB 18" OVAL W/STUD BRSHD 316L
- 3 1896790 STEP, ALUM 350DA-08 ENTRYWAY 4-STEP PWDRCT
- 1316983 FLOORING, VINYL LONCOIN II FLECKS SNDSTN
- 1908246 TEAK, P/C 350DA-08 HELM ENTRY STEP 4PC  
(TEAK FLOORING OPTION)
- 4 1908476 350DA 08,HATCH,FLR STRG AFT SLN
- 140111 LIFT HANDLE, HATCH LIFT BOLT W/RING 3"
- 5 1747836 RAIL, GRAB 12" STREAMLINE W/FLANGES (316L)

**FLOORING**

- 1908244 MAPLE, P/C 350DA-08 CABIN FLR 4PC W/TRM/HTCH  
(HARDWOOD FLOORING - CABIN - MAPLE)

**INTERIOR CARPET**

- 1883614 CARPET, INT 44 OZ PRAIRIE TAN 6'W
- 1883672 CARPET, INT 44 OZ ASH 6'W

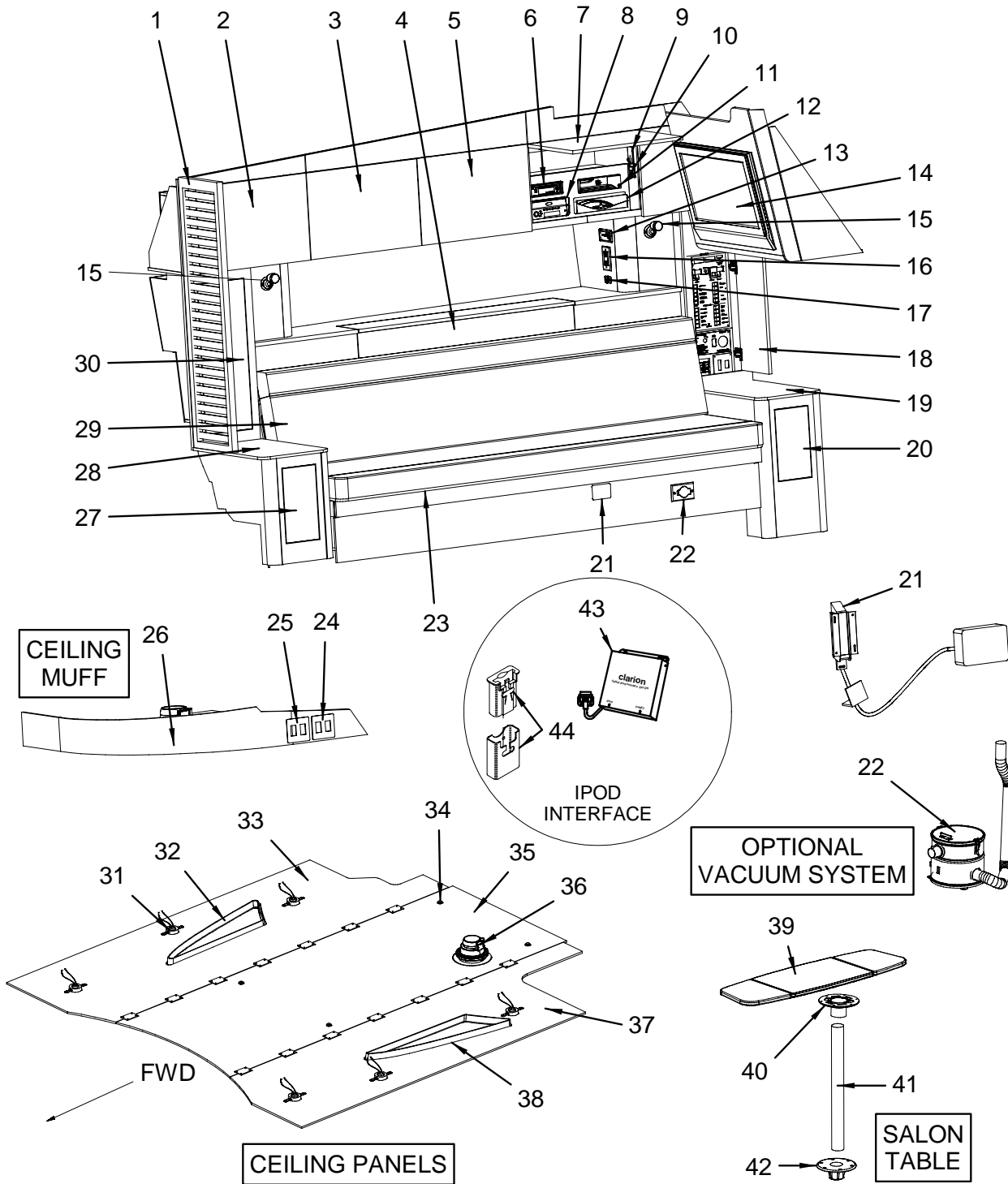
**LIGHTS**

- 1849385 PANEL, 310DA-07 CABIN LT SW SNGL/DUAL BEIGE
- 797761 BODY, ROCK SW SPST BLK 12V INCAND NON-LIT  
(PART OF 1849385)
- 1541655 ACTUATOR, ROCK SWITCH-LIGHTS BLK  
(PART OF 1849385)

**NOT SHOWN**

- 912774 NOSING, VINYL 1"X 1/4"X 12' RIGID SR WHT

SALON (STARBOARD VIEW)



## SALON (STARBOARD VIEW)

1	1898246	MAPLE, 49.75"X15.5" LUV ACNT PNL MEDCHRY 60SHN	22	1787508	COVER PLATE, SGL DUPLEX RECEP BRN LVT
2	1908478	350DA 08, DOOR, SLN UPR CAB FWD LH		627737	BOX, RECEPTACLE/SWITCH PVC 1-GANG DEEP
3	1908479	350DA 08, DOOR, SLN UPR CAB FWD RH		688721	COVER, CUSTOM CLAMSHELL (ABS/DR)
4	1908480	350DA 08, DOOR, SLN SOFA STRG CTR		770354	VACUUM, HOSE 20' W/ATTACHMENTS
	1905443	MAPLE, P/C CRNR TRIM 22.25" MEDCHRY 60SHN	23	1908485	VACUUM, HOSE 40' VINYL GREY 2" ID FLEX
	1905419	MAPLE, P/C CRNR TRIM 46" MEDCHRY 60SHN		350DA 08, CUSH, SLN SOFA	
5	1908481	350DA 08, DOOR, SLN UPR CAB AFT LH		1908538	350DA 08, CUSH SKN, SLN SOFA
6	1817493	DVD, KEC 12V DVD3 DIN		390849	CATCH, GRABBER LATCH W/10LB HOLD BLK PLAS
	1819303	DVD, KEC 12V DVD3 ZONEFREE		198663	HINGE, AL CONT FORM/SGL 1.25"X 72" BLK
	1848849	REMOTE, DVD KEC 12V DVD3/M3 ZONEFREE		1235282	TRACK ASSY, ALUM DINETTE SEAT BASE SLIDER 2PC
	1887973	DVD, ALPINE AM/FM CD/DVD ZONEFREE	24	1849385	PANEL, 310DA-07 CABIN LT SW SINGL/DUAL BEIGE
	1935848	REMOTE, DVD ALPINE AM/FM CD/DVD ZONEFREE		797761	BODY, ROCK SW SPST BLK 12V INCAND NON-LIT
	1813842	MOUNTING KIT, SLEEVE FOR DVD2/3		1541655	(PART OF 1849385)
7	1908483	350DA 08, DOOR, SLN UPR CAB AFT RH		25	ACTUATOR, ROCK SWITCH-LIGHTS BLK
8	1894055	STEREO, AM/FM CD/CHNGR/SIR/XM SAT CMD5		1902504	(PART OF 1849385)
	956078	ADAPTER, STEREO FEMALE/FEMALE	25	1902504	PANEL, 350DA-08 CABIN LT SW SINGL/DUAL BLK
	1850253	VIDEO EQUIPMENT, AUX INPUT MP3 MA-AUX2	26	1908486	350DA 08, VALANCE, SLN LIGHT
	799049	EXTENSION, CABLE 12' AM/FM	27	1908487	350DA 08, DOOR, SLN SOFA STRG FWD
	1759176	EXTENSION, CABLE A/V 6' RCA W/MALE CONN		1904187	LATCH, POINT RIGHT PWL 4" FLNG/KNOB BRSHD NCKL
	1819280	CABLE, RCA AUDIO/VIDEO 12"	28	1903649	TOP, CORIAN 350DA-08 SLN FWD END TABLE AURORA
	1758576	CABLE, RCA AUDIO EFX-2 "Y" ADAPTER	29	1908488	350DA 08, B/R, SLN SOFA
	1750893	CABLE, RCA AUDIO 14" W/EFX-2 CONN N/SUP		1908489	350DA 08, B/R SKN, SLN SOFA
	1750880	CABLE, RCA AUDIO 6" W/EFX-2 CONN W/NOISE SUPP	30	1908490	350DA 08, DOOR, SLN STRG FWD
	1750879	CABLE, RCA AUDIO "Y" (1-FM/2-M) W/NOISE SUPP	31	1819777	LIGHT, DAVID-EYEBALL SAT/NCKL RNG/FRST W/CONN
	1180041	ANTENNA, TV AMP W/SHIP/SHORE A/B SW 12/24VDC		1448463	BULB, XENON 12V/10W
9	1581560	ANTENNA, AMPLIFIED 13398		947796	(PART OF 1819777)
10	1887093	INVERTER, XPOWER 450 XANTREX 12VDC	32	1883990	BULB, REPL FOR TEBE/CHARLY BOY/SAMPEI/DAVID
	1812978	INVERTER, TRUSINE WAVE XANTREX 400W 12VDC		1883991	TRIM RING, T/F SKYLIGHT UPR CUSTOM PRT TAN
	1896439	INVERTER, TRUSINE WAVE XANTREX 230V/50HZ	33	1908491	TRIM RING, T/F SKYLIGHT LWR CUSTOM PRT TAN
	1852916	(INVERTER - 12V TO 120V/60 CYCLE)	34	1803185	350DA 08, PANEL, CEILING SLN STB
	1887734	INVERTER, TRUSINE WAVE XANTREX 230V/50HZ		34	LIGHT, INDIRECT LED WHT BUTTON W/COLLAR/CONN
	355081	(INVERTER - 12V TO 120V/60 CYCLE)		35	(LED BULB NOT REPLACEABLE)
	11733835	BRKR/ROCK, SGL-POLE AC/DC HORZ 25A RED	35	1908492	350DA 08, PANEL, CEILING SLN CTR
	1848731	(INVERTER - 12V TO 120V/60 CYCLE)	36	1877940	SPEAKER, JL 6.5" COAXIAL 150W/40HMS
	1847461	STEREO, CD CHANGER 6-DISC DCZ625 C-NET	37	1908493	350DA 08, PANEL, CEILING SLN PRT
	1887355	STEREO, CD 6-DISC CARTRIDGE CLARION F/DCZ625	38	1883988	TRIM RING, T/F SKYLIGHT UPR CUSTOM STB TAN
	1772076	(PART OF 1733835)		1883989	TRIM RING, T/F SKYLIGHT LWR CUSTOM STB TAN
	1803007	STEREO, SIRIUS SATELLITE RCVR SIRCL3M-6MO	39	1895934	TABLE TOP, WOOD 26.5"X 38" MEDCHRY W/2HNG LEAF
	1920272	CABLE, SIRIUS SATELLITE RCVR CENET SIRCLM3	40	1125293	BASE, TABLE SURF MNT ALUM TAPERED CASTING
	1935187	(PART OF 1847461)		41	(PART OF 1895934)
	1915437	EXTENSION, CABLE 20'/15' FM RECEIVER W/CONN	41	1657659	POST, TABLE LEG 2 7/8"X 30" ANOD FLUTED
	1935816	VIDEO EQUIPMENT, REMOTE GAMING SYS INPUT PNL		1500552	CLIP, TABLE LEG 60MM TUBE BLK
	1755388	TELEVISION, 26" LG LCD W/DIGITAL TUNER	42	1125285	BASE, TABLE FLUSH MNT ALUM TPR CASTING
	1787507	REMOTE, TV 26" LG LCD W/DIGITAL TUNER	43	1889878	MODULE, I-POD CLARION INTERFACE
	1787508	(PART OF 1920272)		1889882	(I-POD INTERFACE)
	627737	TELEVISION, 26" TOSHIBA LCD PAL 220V		1903029	CABLE, CLARION I-POD CE-NET "Y"
15	1803184	REMOTE, TV 26" TOSHIBA LCD PAL 220V		1903029	(I-POD INTERFACE)
	1820310	(PART OF 1915437)	44	1935065	MODULE, I-POD ALPINE INTERFACE
	1787506	BRACKET, TV (LCD) WALL MOUNT OMNI		44	(ALPINE I-POD INTERFACE)
	1787507	RECEPTACLE, DUPLEX BRN 15A LVT		44	STEREO, UNIVERSAL I-POD DOCK W/INSERTS
	627737	COVER PLATE, SGL DUPLEX RECEP BRN LVT			(HULL# 1210 -> UP)(I-POD INTERFACE)
	1820310	BOX, RECEPTACLE/SWITCH PVC 1-GANG DEEP			(ALPINE I-POD INTERFACE)
	1820310	SPOTLIGHT, SWVL TASK BRSHD SS W/SW/CONN	<b>BLINDS</b>		
	1820310	BULB, REPL FOR #1803184/1831205		1904246	BLINDS, 350DA-08 SLN PLTD SHAD BONE 70.5X14.5
	1820310	(PART OF 1803184)	<b>BRACKETS</b>		
16	1787506	RECEPTACLE, DUPLEX BLACK 15A		634592	BRACKET, SS GAS CYL FLAT W/BALL STUD
	1787521	COVER PLATE, SGL DUPLEX RECEP BLK LVT		634550	BRACKET, SS GAS CYL 90DEG L-BRKT W/BALL LONG
	627737	BOX, RECEPTACLE/SWITCH PVC 1-GANG DEEP		1896500	BRACKET, ALUM SOFA RELEASE 1.5"X 1.5"X 1.5"
17	1287283	RECEPTACLE, FEMALE 12V LONG THRD BLK	<b>DOOR BUMPER</b>		
	1259977	PLATE, FEMALE 12V RECEPTACLE MNT		663708	BUMPER, CLEAR .020" THICK
18	1907709	350DA 08, DOOR, MDP CAB	<b>DOOR HARDWARE</b>		
19	1903651	TOP, CORIAN 350DA-08 SLN AFT END TABLE AURORA		525667	HINGE, CONCEALED FULL OVERLAY MT PLATE ONLY
20	1908484	350DA 08, DOOR, SLN SOFA STRG AFT		839399	HINGE, SELF CLOSING BLUM SCREW-ON
21	1896501	LOCK ASSY, 330DA-08 SLN SOFA RLS W/12" CABLE	<b>FABRICS</b>		
	1896507	CATCH, ALUM SOFA RELEASE W/PLAS SLIDE		291138	FABRIC, DYMETROL MATERIAL
22	1690898	VACUUM, CENTRAL SYS 110V WET/DRY #35	<b>FLOOR HATCHES</b>		
	1788977	VACUUM, CENTRAL SYS 220V W/INST KIT #35		140111	LIFT HANDLE, HATCH LIFT BOLT W/RING 3"
	899740	BAG, VACUUM REPL FOR MDL #S 99501/99502		1908476	350DA 08, HATCH, FLR STRG AFT SLN
	1776485	(PART OF 1690898 & 1788977)		1908312	350DA 08, HATCH, FLR STRG FWD SLN
	1848749	VACUUM, INLET BISQUE N/WIRES	<b>FOAM</b>		
	1776975	(PART OF 1690898 & 1788977)		1900892	FOAM, P/C 350DA-08 SALON CUSH SET
	1795343	BRACKET, VACUUM MOUNTING			
	1787507	(PART OF 1690898 & 1788977)			
	1787551	BRKR/ROCK, SGL-POLE AC/DC HORZ UP LUG 15A WHT			
	1787507	BRKR/ROCK, SGL-POLE AC/DC HORZ UP LUG 20A WHT			
	1787551	RECEPTACLE, DUPLEX BRN 15A LVT			
	1787551	RECEPTACLE, GERMAN STD MOS WHT(SNAP CVR) LVT			

**HARNESSES**

- 1899305 HARNESS, 350DA-08 CABIN DC
- 1899304 HARNESS, 350DA-08 CABIN AC 120V
- 1903201 HARNESS, 350DA-08 CABIN AC 220V
- 1899306 HARNESS, 350DA-08 CEILING
- 1905995 HARNESS, 350DA-08 TV/DVD KIT
- 1907469 HARNESS, 350DA-08 STEREO JMPR

**NOT SHOWN**

- 1749388 GALVANIC ISOLATOR, PROSAFE 30AMP (ISOL ONLY)  
(DUAL SHORE POWER)
- 1901422 PANEL, 350DA-08 SOLENOID SW BLK

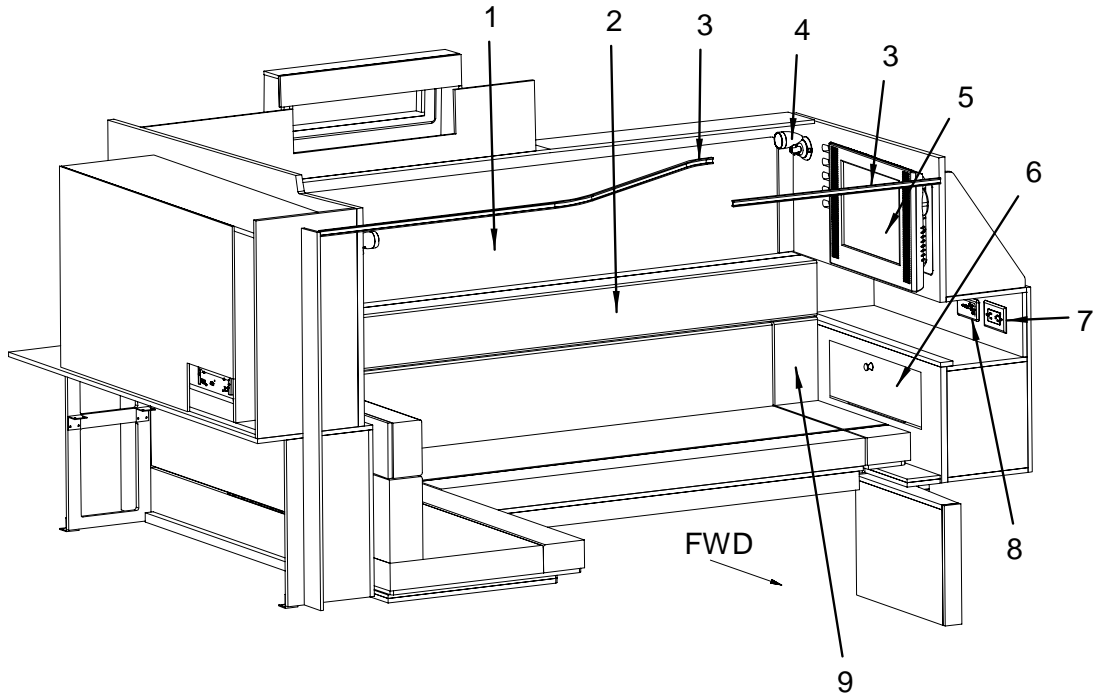
**SALON SOFA (STANDARD)**

- 1004050 VINYL, ULTRALTHR BUFF
- 845594 VINYL, ULTRALTHR DOE

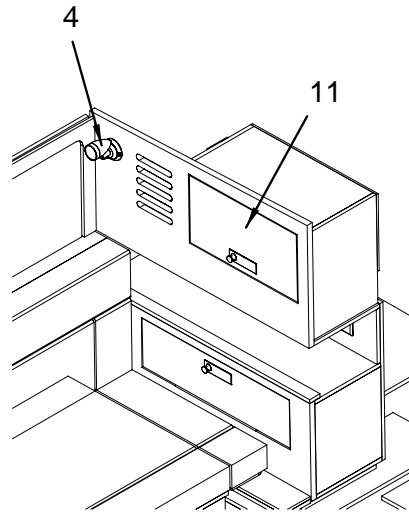
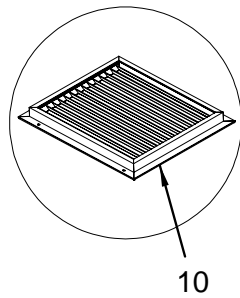
**SALON VALANCE**

- 1004050 VINYL, ULTRALTHR BUFF
- 845594 VINYL, ULTRALTHR DOE

MID STATEROOM (PORT VIEW)



A/C INTAKE VENT



STANDARD CABINET VIEW

**MID STATEROOM (PORT VIEW)**

- 1 1903698 MIRROR, 1/8"X 13.5"X 80"CLEAR
- 2 1907702 350DA 08,BLSTR,MIDSTRM AFT
- 1907704 350DA 08,BLSTR SKN,MIDSTRM AFT
- 3 1937226 CURTAIN, 350DA-08 REGAL SATIN/PORCLN AFT PRIV
- 132183 TRACK, ALUM CURT TRK 0.275"X 0.688" TAB TYPE  
**(DOG HOUSE CURTAIN)**
- 737239 TRACK, ALUM CURT TRK 8' I BEAM TYPE  
**(PRIVACY CURTAIN)**
- 157461 UPH PARTS, END STOP W/LOOP
- 186676 UPH PARTS, DRAPE CEILING BRKT
- 4 1803184 SPOTLIGHT, SWVL TASK BRSHD SS W/SW/CONN
- 1820310 BULB, REPL FOR #1803184/1831205  
**(PART OF 1803184)**
- 5 1906108 TELEVISION, 15" ASV SHARP LCD BLK
- 1909906 REMOTE, TV 15" SHARP ASV SHARP LCD  
**(PART OF 1906108)**
- 1872088 TELEVISION, 15" LG LCD 220V 15C1RB
- 1888310 REMOTE, TV 15" LG LCD 220V 15C1RB  
**(PART OF 1872088)**
- 1905996 HARNESS, 350DA-08 TV/DVD MID STRM COAX
- 1755311 SPEAKER, TELEVISION 5.25" (QUEST)
- 1761064 FILTER, VIDEO INTERFERENCE
- 1762641 FILTER, POWER INTERFACE 20AMP
- 1758298 ISOLATOR, 2-CHANNEL GROUND LOOP (RCA)
- 145011 CONN, COAX TV CABLE MALE
- 1903484 CABLE, RCA AUDIO/VIDEO 30'
- 637058 CONN, COAX EURO TV ADAPTER "F" TYPE  
**(220 VOLT/TV 15" FS/DVD/GAMING PORT-MID CABIN)**
- 1768472 PLUG, 220V BLK RECEPTACLE
- 6 1907705 350DA 08,DOOR,MIDSTRM LWR PRT
- 195032 HINGE, AL CONT 1.25" X 72" BRITE
- 663708 BUMPER, CLEAR .020" THICK
- 7 1787506 RECEPTACLE, DUPLEX BLACK 15A
- 1787521 COVER PLATE, SGL DUPLEX RECEPT BLK LVT
- 627737 BOX, RECEPTACLE/SWITCH PVC 1-GANG DEEP
- 8 1803007 VIDEO EQUIPMENT, REMOTE GAMING SYS INPUT PNL
- 9 1907706 350DA 08,CUSH,MIDSTRM PRT AFT FLR
- 1907707 350DA 08,CUSH SKN,MIDSTRM PRT AFT FLR
- 10 1898701 A/C COMP, GRILL 26X8 RA BLK W/FILTER
- 11 1907708 350DA 08,CUSH SKN,MIDSTRM UPRT PRT
- 1904184 LATCH, POINT LEFT PWL 4"FLNG/KNOB BRSHD NCKL
- 525667 HINGE, CONCEALED FULL OVERLAY MT PLATE ONLY

**BRACKETS**

- 835843 BRACKET, ALUM 1"X 1/2"X 3" 3/16"HOLES 2SIDES  
**(TV 15" FLATSCRN/ DVD/ GAMING PORT-MID CABIN)**
- 835850 BRACKET, ALUM 1"X 1"X 1" 3/16"HOLES  
**(TV 15" FLATSCRN/ DVD/ GAMING PORT-MID CABIN)**

**CURTAINS**

- 1937227 CURTAIN, 350DA-08 REGAL/PORCELN MID STRM WNDW

**FOAM**

- 1900891 FOAM, P/C 350DA-08 MID STRM CUSH SET

**LIGHTS**

- 1803185 LIGHT, INDIRECT LED WHT BUTTON W/COLLAR/CONN  
**(LED BULB NOT REPLACEABLE)**

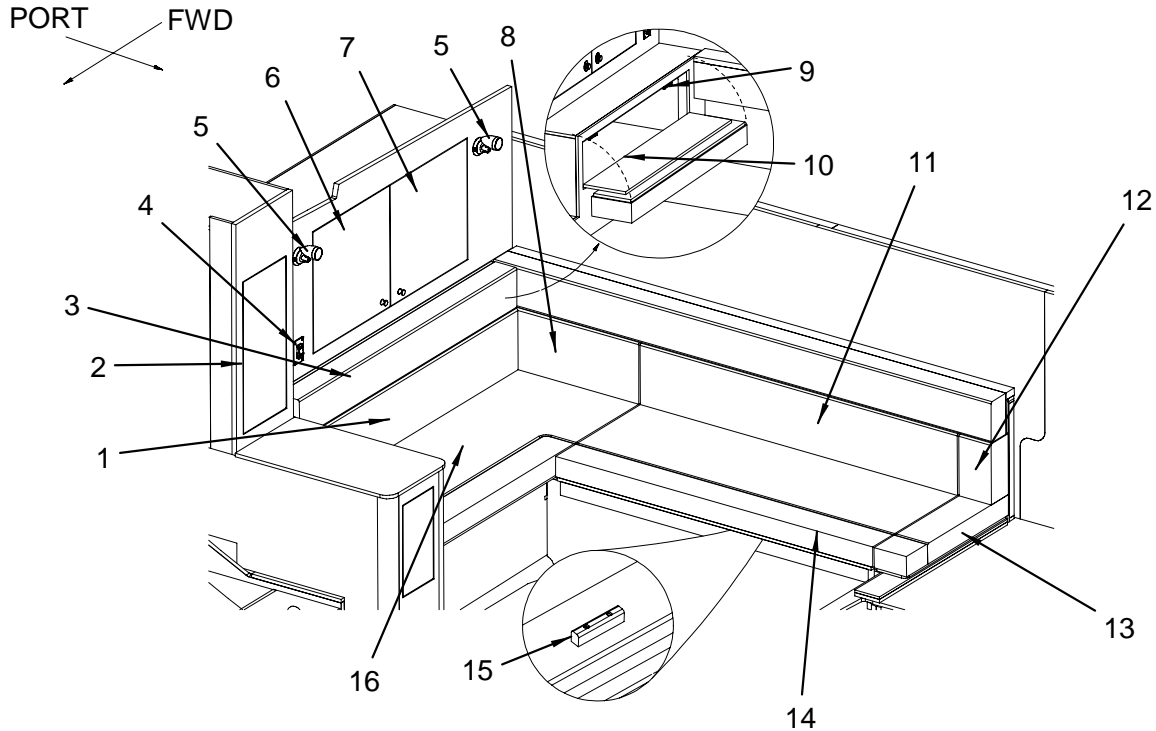
**UPHOLSTERY MATERIALS**

- 602169 TAB, PULL TAB MATERIAL 1.5"X 250YDS
- 634931 FABRIC, PULL STRIP 6"X 250YD

**VINYLS**

- 1004050 VINYL, ULTRALTHR BUFF
- 845594 VINYL, ULTRALTHR DOE

**MID STATEROOM (STARBOARD VIEW)**



**MID STATEROOM (STARBOARD VIEW)**

- 1 1907800 350DA 08,CUSH,MIDSTRM STB OTBD FLR
- 1907802 350DA 08,CUSH SKN,MIDSTRM STB OTBD FLR
- 2 1907709 350DA 08,DOOR,MDP CAB
- 3 1907804 350DA 08,BLSTR,MIDSTRM STB UP
- 1907806 350DA 08,BLSTR SKN,MIDSTRM STB UP
- 4 1688434 350DA 08,CUSH,MIDSTRM STB AFT FLR
- 1541655 350DA 08,CUSH,MIDSTRM STB AFT FLR
- 797761 350DA 08,CUSH,MIDSTRM STB AFT FLR
- 5 1803184 350DA 08,CUSH,MIDSTRM STB AFT FLR
- 1820310 350DA 08,CUSH,MIDSTRM STB AFT FLR
- 6 1907809 350DA 08,DOOR,MIDSTRM STB FWD STRG CAB
- 7 1907810 350DA 08,DOOR,MIDSTRM STB AFT STRG CAB
- 8 1907813 350DA 08,CUSH,MIDSTRM STB AFT FLR
- 1907814 350DA 08,CUSH SKN,MIDSTRM STB AFT FLR
- 9 390849 350DA 08,CUSH SKN,MIDSTRM STB AFT FLR
- 10 195032 350DA 08,CUSH SKN,MIDSTRM STB AFT FLR
- 11 1907822 350DA 08,CUSH,MIDSTRM CTR AFT FLR
- 1907823 350DA 08,CUSH SKN,MIDSTRM CTR AFT FLR
- 12 1907706 350DA 08,CUSH,MIDSTRM PRT AFT FLR
- 1907707 350DA 08,CUSH SKN,MIDSTRM PRT AFT FLR
- 13 1907824 350DA 08,CUSH,MIDSTRM PRT
- 1907825 350DA 08,CUSH SKN,MIDSTRM PRT
- 14 1907826 350DA 08,CUSH,MIDSTRM CTR

- 14 1907827 350DA 08,CUSH SKN,MIDSTRM CTR
- 15 609883 350DA 08,CUSH,MIDSTRM STB
- 16 1907828 350DA 08,CUSH,MIDSTRM STB
- 1907829 350DA 08,CUSH SKN,MIDSTRM STB

**BRACKETS**

- 1756151 BRACKET, BLSTR CKPT 3/4"X2"X1/16" STND-OFF SS

**DOOR HARDWARE**

- 839399 HINGE, SELF CLOSING BLUM SCREW-ON

**ELECTRONICS**

- 1946302 DVD, ALPINE AM/FM CD/DVD DVA-9861 (PREMIUM CABIN SOUND SYSTEM)
- 1817493 DVD, KEC 12V DVD3 DIN (TV 15" FLATSCRN/ DVD/ GAMING PORT-MID CABIN)
- 1848849 REMOTE, DVD KEC 12V DVD2M/3M ZONEFREE (PART OF 1817493)
- 1807866 STEREO, AMP PANASONIC 400W 4CHNL
- 1872239 STEREO, AMP PANASONIC 50WX2CHNL W/CONN
- 1854218 STEREO, AMP JL 450W 6/5/4/3 CH PWR AMP WHT (PREMIUM CABIN SOUND SYSTEM)
- 795583 BUSS BAR, SGL POST 5/16"
- 1772527 BRKR/ROCK, SGL-POLE C-SERIES DC IGNPRT 50A LD (PREMIUM CABIN SOUND SYSTEM)



**HARNESSES**

- 1907445 HARNESS, 350DA-08 PREM CABIN STEREO JMPR  
(PREMIUM CABIN SOUND SYSTEM)
- 1937883 HARNESS, 350DA-08 CABIN STEREO JMPR  
(PREMIUM CABIN SOUND SYSTEM)

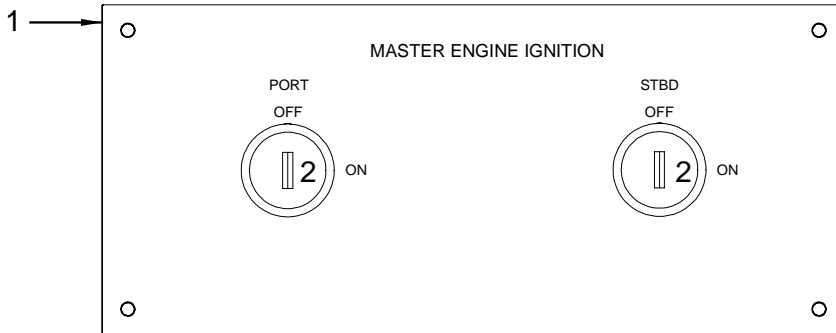
**LIGHTS**

- 1803185 LIGHT, INDIRECT LED WHT BUTTON W/COLLAR/CONN  
(LED BULB NOT REPLACEABLE)

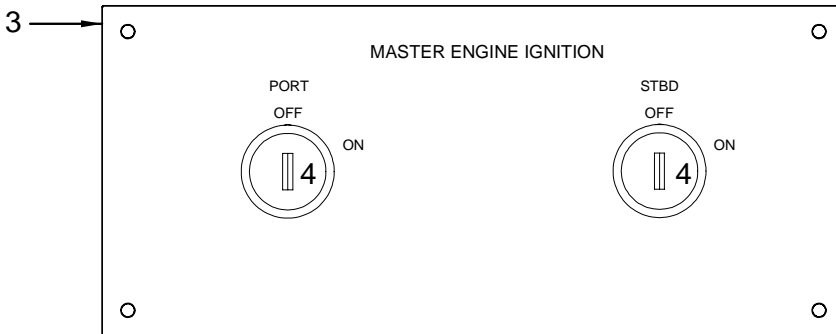
**MIRRORS**

- 1903698 MIRROR, 1/8"X 13.5"X 80"CLEAR

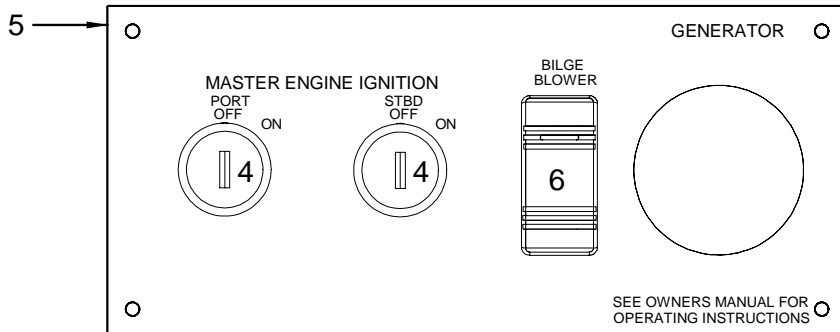
IGNITION SWITCH PANEL



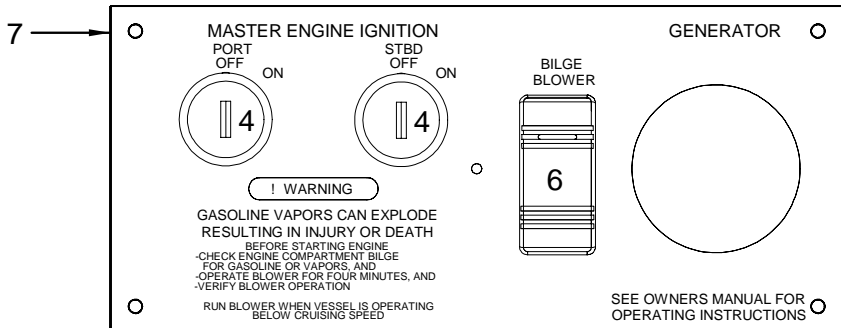
GAS ENGINES



DIESEL ENGINES



DIESEL ENGINES W/ GEN



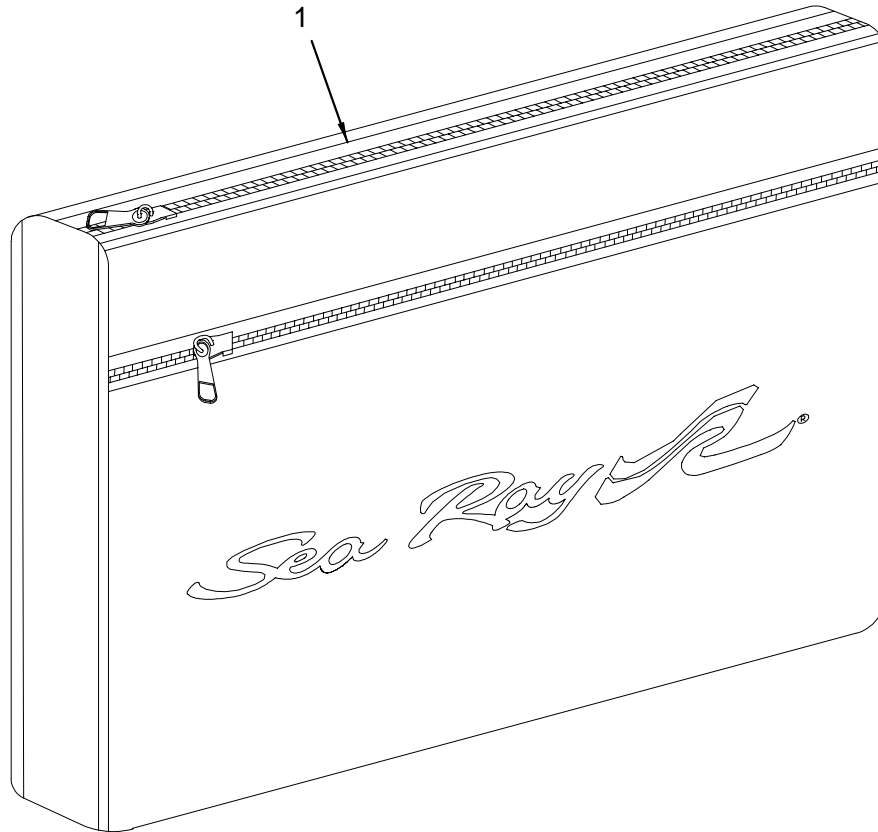
GAS ENGINES W/ GEN

---

**IGNITION SWITCH PANEL**

- 1 1848226 PANEL, 310DA-07 IGN KEY SW GAS N/GEN W/DTS
- 1848223 PANEL, BLANK:310DA IGN KEY SW GAS N/GEN W/DTS
- 2 1544188 SWITCH, KEY ASHI DENSO
- 1666171 KEY, MSTR IGN MDB PNL "3103"
- 1666197 KEY, MSTR IGN MDB PNL "3110"
- 1666205 KEY, MSTR IGN MDB PNL "3112"
- 1666213 KEY, MSTR IGN MDB PNL "3113"
- 1666239 KEY, MSTR IGN MDB PNL "3135"
- 1666254 KEY, MSTR IGN MDB PNL "3203"
- 1666262 KEY, MSTR IGN MDB PNL "3210"
- 1666270 KEY, MSTR IGN MDB PNL "3212"
- 1666288 KEY, MSTR IGN MDB PNL "3213"
- 1666296 KEY, MSTR IGN MDB PNL "3235"
- 3 1848222 PANEL, 310DA-07 IGN KEY SW GAS N/GEN
- 1848221 PANEL, BLANK:310DA-07 IGN KEY SW GAS N/GEN  
**(BLANK PANEL FOR 1848222)**
- 4 1820272 SWITCH, IGN ASSY 3-POS
- 5 1900220 PANEL, CRUSR IGN DSL W/GEN
- 1900222 PANEL, BLANK:CRUSR IGN DSL W/GEN
- 6 1804271 BODY, ROCK SW XI SPST MOM INDP GRN LNZ 12V  
**(ACTUATOR INCLUDED WITH BASE)**
- 7 1900219 PANEL, CRUSR IGN GAS W/GEN/DTS
- 1900221 PANEL, BLANK:CRUSR IGN GAS W/GEN/DTS

**MULTI-INFO PACKET**



**MULTI-INFO PACKET**

**INTERNATIONAL ONLY**

- 1691479 MANUAL, OWNERS - SEA RAY INT'L 12-LANGUAGE
- 1880468 CHECK LIST, INT'L DISCLOSURE SPBT/SPCRUSR '06

**MULTI-INFO PACKET**

- 1918459 PACKET, MULTI-INFO SPORT CRUISER C-08 RV2

**OWNERS PACKET CONTENTS**

- 1411404 ENVELOPE, DEALER INFORMATION
- 1507912 CARD, PASSPORT TO SAVINGS
- 1683713 CARD, QUICK REFERENCE SHRPWR SPCRUIS/02
- 1751553 BOOKLET, COAST GUARD FEDERAL REQUIREMENT
- 1764423 BROCHURE, CARBON MONOXIDE AWARENESS
- 1766184 BROCHURE, WATERSKI SAFETY GUIDELINES
- 1798084 LABEL, CHEMICAL WARNINGS
- 1806458 381SB,CANVAS ASSY,PNL SAC 1781944 BRS
- 1836824 CHECK LIST, IN SERVICE-SPBOATS/SPCRUISERS 06
- 1848351 MANUAL, CD DO'S AND DON'TS AT THE GAS PUMP
- 1887035 BROCHURE, USCG YOU'RE IN COMMAND PROP DANGER
- 1887036 BROCHURE, USCG YOU'RE IN COMMAND
- 1896824 CARD, WARRANTY - SC/SY/Y '08
- 798595 HARNESS, ACCY HATCH LIFT PIGTAIL
- 800565 BOOKLET, BOATER'S GUIDE TO AC ELECTRICAL SYST

**OWNERS PACKET CONTENTS (continued)**

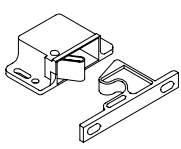
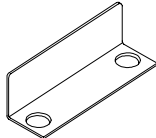
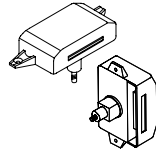
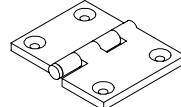
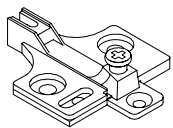
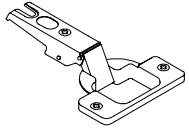
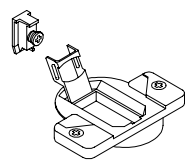
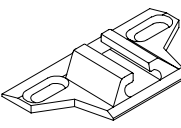
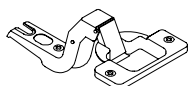
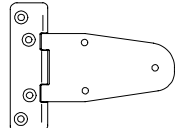

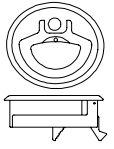
- 833749 FUSE BOX, SPARE W/6 ATC BLADE STYLE
- 902726 PACKET, OWNERS BRIEFCASE CANVAS BLK (TYPHOON)

**SAFETY PACKAGE**

- 1904248 PACKET, 350DA-08 SAFETY INFORMATION UNIT

**KNOXVILLE HARDWARE**

**2006 KNOXVILLE PLANT HARDWARE**

<p>BLACK 10LB</p>  <p>1 → 390849</p>	 <p>2 → 761445</p>	<p>WHITE</p>  <p>3 → 772418</p>	 <p>4 → 132324</p>
 <p>5 → 525667</p>	 <p>6 → 814350</p>	 <p>7 → 839399</p>	 <p>8 → 1381201</p>
 <p>9 → 839399</p>	 <p>10 → 1683753</p>	<p>STAINLESS STEEL</p>  <p>11 → 1781437</p>	<p>STAINLESS STEEL</p>  <p>12 → 1781434</p>

**KNOXVILLE HARDWARE**

- 1 390849 CATCH, GRABBER LATCH W/10LB HOLD BLK PLAS
- 2 761445 CATCH, RIM-LOCK STRIKE PLATE
- 3 772418 CATCH, RIM-LOCK WHT
- 4 132324 HINGE, BUTT CHROME/ZINC 2"
- 5 525667 HINGE, CONCEALED FULL OVERLAY MT PLATE ONLY
- 6 814350 HINGE, CONCEALED FULL OVERLAY 100DEG W/DOWEL
- 7 839399 HINGE, SELF CLOSING BLUM SCREW-ON
- 8 1381201 HINGE, CONCEALED MT PLATE ONLY BLUM
- 9 839399 HINGE, SELF CLOSING BLUM SCREW-ON
- 10 1683753 HINGE, SS 320DA-02 CKPT HATCH
- 11 1781437 LATCH, COMPRESSION 2"N/LOCKING SS
- 12 1781434 LATCH, FLUSH MNT N/LOCKING SLAM SS

**KNOXVILLE HARDWARE (CONTINUED 1)**

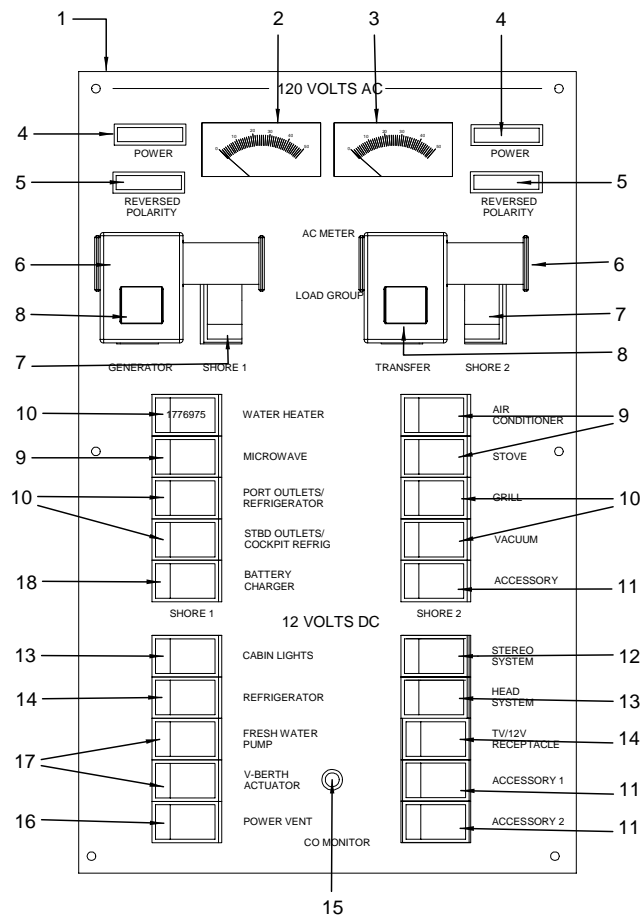
**2006 KNOXVILLE PLANT HARDWARE**

<p>LH OUT SATIN/NICKLE</p> <p>1 → 1776672</p>	<p>2 → 140111</p>	<p>3 → 1781435</p>	<p>4 → 1781440</p>
<p>5 → 1625078</p>	<p>13/16" WIDE</p> <p>6 → 847327</p>	<p>CHROME</p> <p>7 → 1437219</p>	<p>SATIN</p> <p>8 → 1742136</p>
<p>SATIN/NICKLE</p> <p>9 → 1776837</p>			

**KNOXVILLE HARDWARE (CONTINUED 1)**

- 1 1776672 LATCH, OFFSHR FLSH LH-OUT PRVKNB SAT/NCK 5/8"
- 2 140111 LIFT HANDLE, HATCH LIFT BOLT W/RING 3"
- 3 1781435 PLATE, CUP BRKT 2"LONG SCREW W/HDWR PKG
- 4 1781440 PLATE, DEEP BRKT 2"W/HDWR PKG SS  
**(SPORTSMAN'S PACKAGE)**
- 5 152785 NUT, HEX NYLON LOCK #1/2-13 SS  
**(MOUNTING BACKING PLATE FOR ARCH)**
- 1625078 PLATE, SS SPOILER MNT W/2STUD 1/2"X3.5"  
**(MOUNTING BACKING PLATE FOR ARCH)**
- 6 847327 PLATE, STRIKER MOBELLA 13/16"WIDE
- 7 1437219 PULL, DOOR FLUSH MIRROR CHR
- 8 1742136 PULL, PUSH-BUTTON KNOB SAT/NCKL
- 9 1776837 PULL, ROSETTE SAT/NCKL RND 16MM (5/8")

**MAIN DISTRIBUTION PANEL 120VAC**



**MAIN DISTRIBUTION PANEL 120VAC**

**NOT SHOWN (continued)**

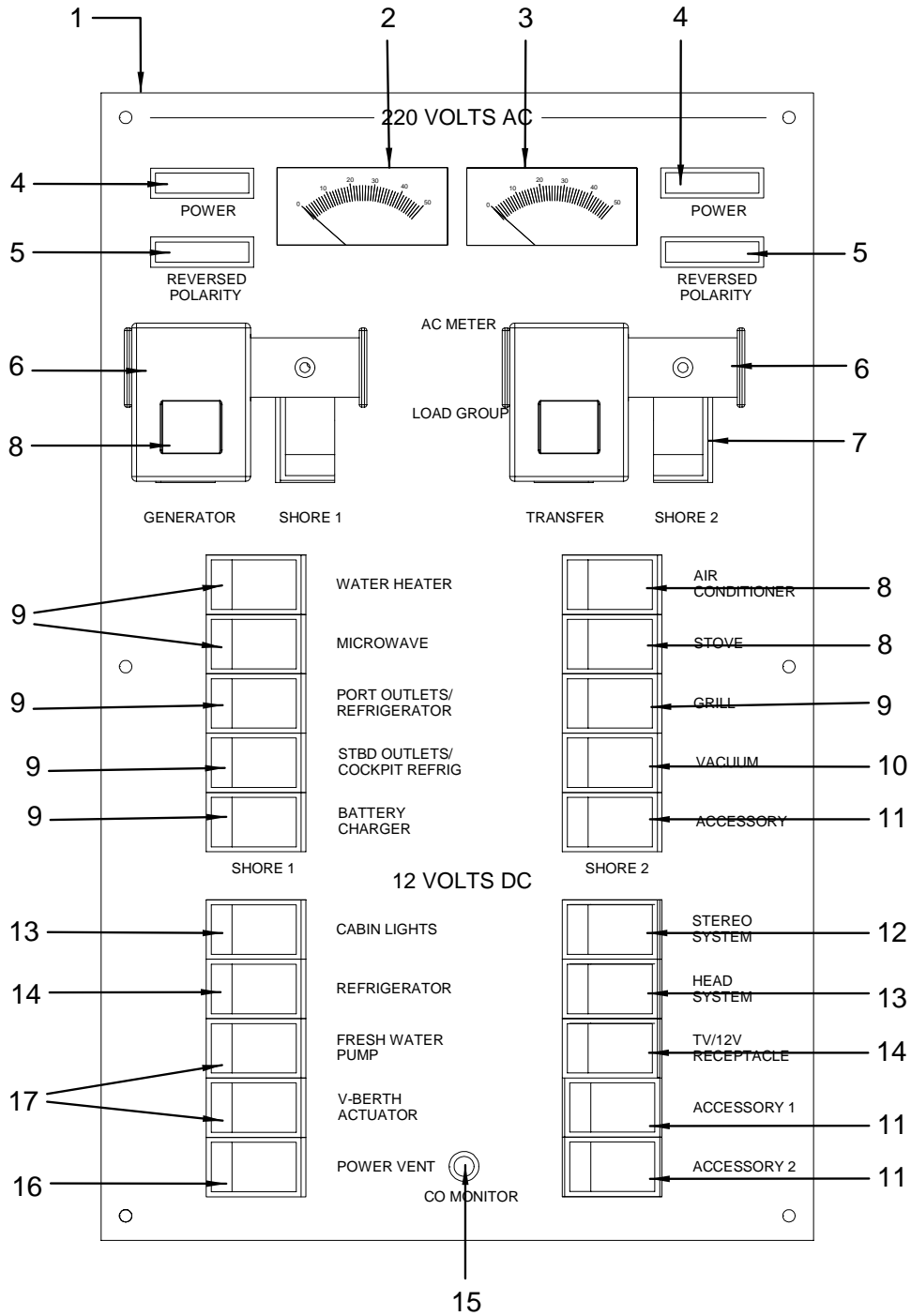
- 1 1901755 PANEL, 350DA-08 AC/DC MDP 120/60 N/GEN
- 1901756 PANEL, 350DA-08 AC/DC MDP 120/60 W/GEN
- 1901759 PANEL, BLANK:350DA-08 AC/DC MDP 120/60
- 2 767608 GAUGE, VOLTMETER AC 0-150 ANALOG WINDOW MT SM
- 3 767590 GAUGE, AMMETER AC 0-50 ANALOG WINDOW MT SMALL
- 4 572529 LIGHT, POLARITY GRN 125V
- 5 557611 LIGHT, POLARITY RED 125V
- 6 340679 SLIDE ASSY, SLIDE BAR MDP PANEL
- 7 648873 BRKR/ROCK, 2-POLE AC/DC VERT 30A WHT
- 8 595926 BRKR/ROCK, 2-POLE AC/DC VERT 50A WHT
- 9 1795343 BRKR/ROCK, SGL-POLE AC/DC HORZ UP LUG 20A WHT
- 10 1776975 BRKR/ROCK, SGL-POLE AC/DC HORZ UP LUG 15A WHT
- 11 432872 PLUG, BRKR/ROCK
- 12 1799306 BRKR/ROCK, SGL-POLE AC/DC HORZ UP LUG 25A RED
- 13 1799305 BRKR/ROCK, SGL-POLE AC/DC HORZ UP LUG 20A RED
- 14 1799304 BRKR/ROCK, SGL-POLE AC/DC HORZ UP LUG 15A RED
- 15 1181700 BRKR, P/BTN-MANUAL RESET M-SERIES 1A W/SCREW
- 16 1878882 BRKR/ROCK, SGL-POL AC/DC HORZ UP LUG 7.5A RED
- 17 1799341 BRKR/ROCK, SGL-POLE AC/DC HORZ UP LUG 10A RED
- 18 1776973 BRKR/ROCK, SGL-POLE AC/DC HORZ UP LUG 10A WHT

- 806901 INDICATOR, WATER LEVEL 12V
- 1324334 BUSS BAR, MINIBUS BAR DC
- 795583 BUSS BAR, SGL POST 5/16"

**NOT SHOWN**

- 1577717 PANEL, WATER LEVEL IND
- 679332 BODY, ROCK SW SPST MOM
- 681486 ACTUATOR, ROCK BLK W/O LENS ACCY

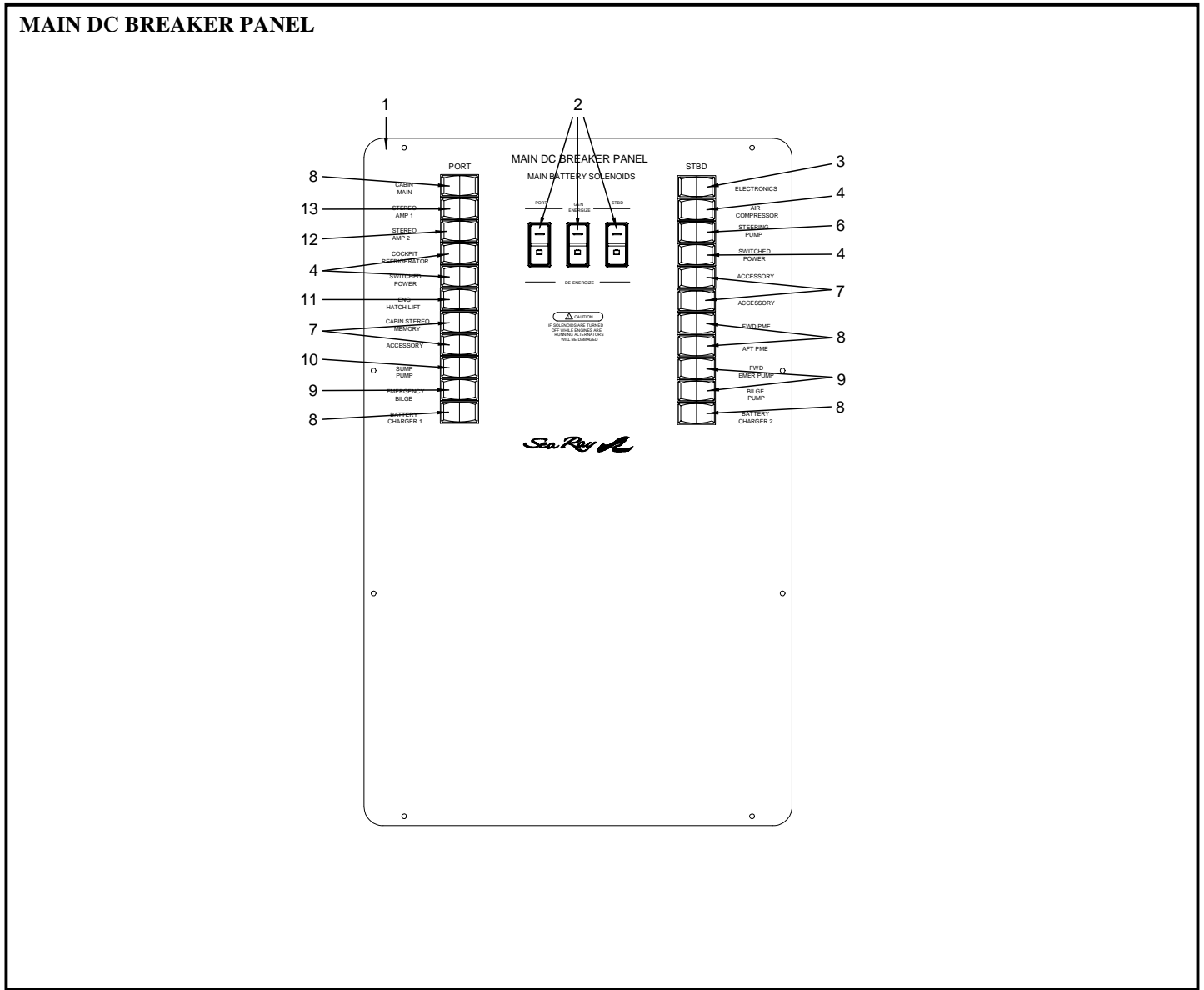
MAIN DISTRIBUTION PANEL 220VAC





**MAIN DISTRIBUTION PANEL 220VAC**

- 1 1901757 PANEL, 350DA-08 AC/DC MDP 220/50 N/GEN
- 1901758 PANEL, 350DA-08 AC/DC MDP 220/50 W/GEN
- 1916533 BRKR, CIRC KOHLER GAS GEN 25A/50HZ KIT
- 2 796334 GAUGE, VOLTMETER AC 0-300 ANALOG WINDOW MOUNT
- 3 767590 GAUGE, AMMETER AC 0-50 ANALOG WINDOW MT SMALL
- 4 557603 LIGHT, POLARITY GRN 220V
- 5 557629 LIGHT, POLARITY RED 220V
- 6 340679 SLIDE ASSY, SLIDE BAR MDP PANEL
- 7 595926 BRKR/ROCK, 2-POLE AC/DC VERT 50A WHT
- 8 1776975 BRKR/ROCK, SGL-POLE AC/DC HORZ UP LUG 15A WHT
- 9 1795343 BRKR/ROCK, SGL-POLE AC/DC HORZ UP LUG 20A WHT
- 332593 BRKR/ROCK, SGL-POLE AC/DC HORZ 10A WHT
- 10 1776973 BRKR/ROCK, SGL-POLE AC/DC HORZ UP LUG 10A WHT
- 11 432872 PLUG, BRKR/ROCK
- 12 1799306 BRKR/ROCK, SGL-POLE AC/DC HORZ UP LUG 25A RED
- 13 1799305 BRKR/ROCK, SGL-POLE AC/DC HORZ UP LUG 20A RED
- 14 1799304 BRKR/ROCK, SGL-POLE AC/DC HORZ UP LUG 15A RED
- 15 1181700 BRKR, P/BTN-MANUAL RESET M-SERIES 1A W/SCREW
- 16 1878882 BRKR/ROCK, SGL-POL AC/DC HORZ UP LUG 7.5A RED
- 17 1799341 BRKR/ROCK, SGL-POLE AC/DC HORZ UP LUG 10A RED



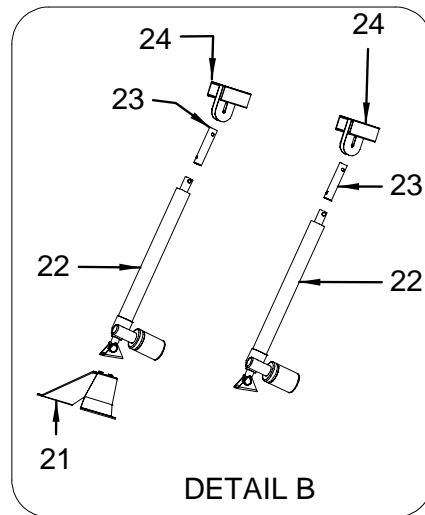
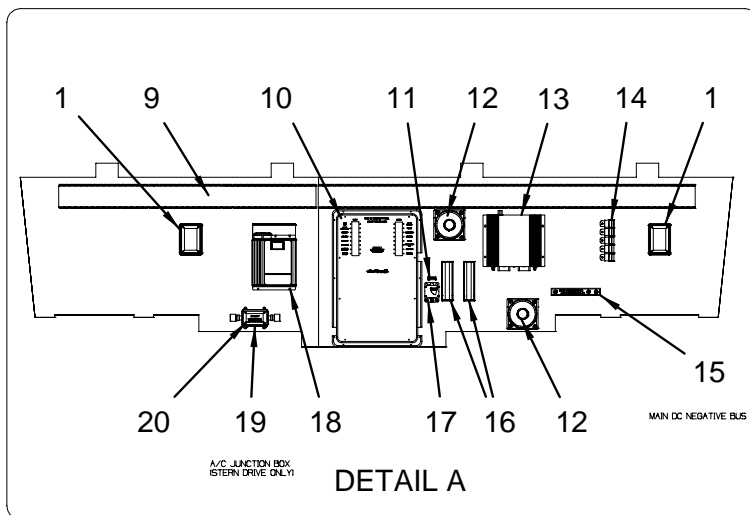
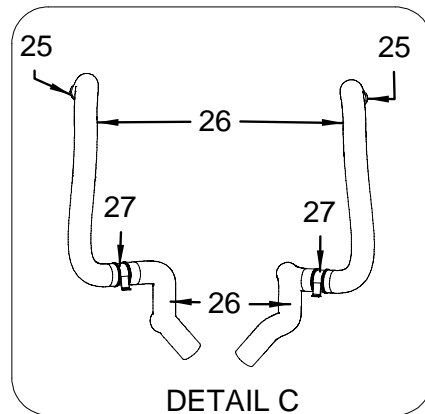
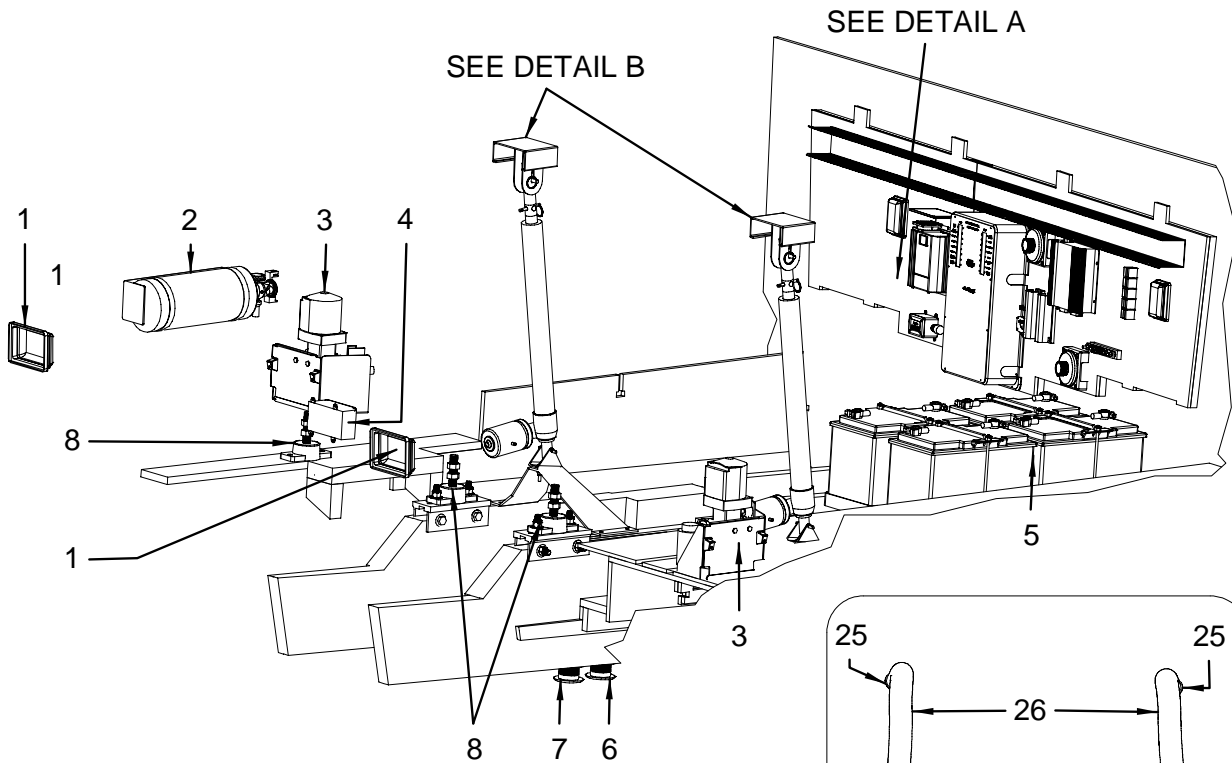
**MAIN DC BREAKER PANEL**

- 1 1900369 PANEL, 350DA-08 MAIN DC BRKR
- 1900384 PANEL, BLANK:350DA-08 MAIN DC BRKR
- 2 1796096 BODY, CONTURA XI SW DPDT MOM INDP GRN LED 12V
- 3 1412006 BRKR/ROCK, SGL-POLE MNL RSET DC IGNPRT 30A YL
- 4 1181759 BRKR/ROCK, SGL-POLE MNL RSET DC IGNPRT 15A YL
- 5 1181767 BRKR/ROCK, SGL-POLE MNL RSET DC IGNPRT 20A YL
- 6 1716682 BRKR/ROCK, SGL-POLE MNL RSET DC IGNPRT 40A YL
- 7 432872 PLUG, BRKR/ROCK
- 8 1181775 BRKR/ROCK, SGL-POLE MNL RSET DC IGNPRT 50A YL
- 9 1181742 BRKR/ROCK, SGL-POLE MNL RSET DC IGNPRT 10A YL
- 10 1181726 BRKR/ROCK, SGL-POLE MNL RSET DC IGNPRT 5A YLW
- 11 1771141 BRKR/ROCK, SGL-POLE MNL RSET DC IGNPRT 25A YL
- 12 1685162 BRKR/ROCK, SGL-POLE C-SERIES DC IGNPRT 50AYL
- 13 1873372 BRKR/ROCK, SGL-POLE C-SERIES IGNPRT 100A LD

**NOT SHOWN**

- 829432 BUSS BAR, DBL POST 5/16"

**BILGE (STANDARD)**



**BILGE (STANDARD)**

1	1771064	LIGHT, SGL DOME FLSH MNT PLS WHT N/SW W/CONN
2	1900547	FIRE EXT SYS, FE241 (SR) 400CF AUTO/MAN W/CONN
	1642297	HALON CABLE, MANUAL PULL CABLE 19'
	1908767	FIRE EXT SYS, FM200 400CF AUTO/MAN STD W/CONN (CE OPTION GROUP, INTL MODELS)
3	268508	TRIM TAB, HYD PUMP KIT W/3" NIPPLE
4	522813	BOX, RECEPTACLE PVC SURFACE MOUNT CARLON
	147397	COVER PLATE, CARLON BOX SGL
5	130781	CABLE, BATT RED #2AWG
	1239458	HOLDER, BATTERY GR27/31 BLK NYLON W/SS
	650499	BOOT, BATTERY CABLE 4/0 RED 11/16"
	650507	BOOT, BATTERY CABLE 4/0 BLK 11/16"
	1258979	BOOT, BATTERY CABLE 105C "T" BLK 4/0
	1258987	BOOT, BATTERY CABLE 105C "T" RED 4/0
	130799	CABLE, BATT BLK #2AWG
	136044	CABLE, BATT BLK #4/0AWG
	136051	CABLE, BATT RED #4/0AWG
	140509	BOOT, ENG STARTER RED
	192385	CONN, BATT LUG 4/0GA NEG W/NUT/BOLT
	192393	CONN, BATT LUG 4/0GA POS W/NUT/BOLT
	518712	CONN, BATT LUG 4/0GA POS T-TYPE
	518720	CONN, BATT LUG 4/0GA NEG T-TYPE
	793265	CONN, RING 2GA X 3/8R BATT/CBL COP PLTD CLSD
	793281	CONN, RING 2GA X 5/16R .630 BARE ELONG CLSD
	793307	CONN, RING 4GA X 3/8R BATT/CBL COP PLTD CLSD
	793349	CONN, RING 4/0GA X 3/8R 1.15 BARE PLTD CLSD
6	1690371	ACC PART, MERC S-CRFT TRNS W/19' NYL DEP/TEMP
	933853	TRANSDUCER, DEPTH RETRACTABLE VALOX RAYDATA (YANMAR DSL)
	933861	TRANSDUCER, SPEED SELF SEALING VALOX RAYDATA (YANMAR DSL)
	1795499	TRANSDUCER, DEPTH/TEMP FOR DSM250 FISHFINDER (RAYMARINE DSM 300 FISH FINDER)
	1903031	HARNESS, PADDLE WHEEL FUEL ADAPTOR (TVD-CA-8.1 S HRZ DTS)
7	1690510	SENSOR, S-CRFT PADDLE WHEEL SPEED
8	667345	SUPPORT, MOTOR MOUNT 7.5"X" L" SHAPED
	1261528	PLATE, BACKING 1/4"X 2"X 7.5" ALUM
	527218	MOUNT, ALUM STRINGER 1/4" GAS
	893081	PLATE, BACKING 9" STRINGER CAP 3116 CATS (YANMAR DSL)
	1755235	ENGINE MT, STRINGER CAP 9" YANMAR W/SLOT HOLE (YANMAR DSL)
	836023	BRACKET, ALUM 1.5"X 1.5"X 1.5" 3/16"HOLES
9	1051705	COVER BASE, PLAS DUCT WIRING CVR 4"X 6"WHT
	1248335	COVER BASE, PLAS DUCT WIRING 4"X 4"X 6" WHT
10	1900369	PANEL, 350DA-08 MAIN DC BRKR
	1690173	BLOCK, HDPE 3/4"X 1"X 4" EMERG START SOLENOID
	1920723	BOX, T/F 350DA-08 MAIN DC BRKR PNL (HULL# 1266 -> UP)
	1690750	BOX, T/F 340DA-03 MAIN DC BRKR PNL (HULL# 1202 -> 1265)
	1690040	PLATE, ALUM 340DA-03 MAIN DC BRKR BOX BCKNG
	651869	SOLENOID, MAGNET LATCHING LEAD ONLY
	644609	SOLENOID, MAGNET LATCHING 12V 100A/500A W/HDW
11	1745518	LABEL, WINDLASS BRKR
12	136150	SWITCH, BATTERY ON/OFF DSL W/DISC
13	1901048	MODULE, DIGITAL PME AFT S-CRUISER
14	1690529	RELAY, SPST 12V 20/40A IGN PROT HATCH LOCKOUT
15	630871	BUSS BAR, MAIN DC GROUND (3-STUD)
16	987446	FUSE BLOCK, BLADE TYPE ANL350/500
	1585470	FUSE, ANL250 IGN PROTECTED
17	1185099	BRKR, SURF MNT THERMAL 100AMP MANUAL RESET
18	1908176	CONVERTER, 40AMP 120VAC/12VDC PD2140
	1897206	CHARGER, 30AMP 120/220VAC 50/60HZ 1230I (220 VOLT / 50 CYCLE)
19	1507326	ACC PART, MERC S-CRFT JUNC BOX 4-WAY
20	852582	LABEL, UNPLUG SHORE POWER WARNING
21	1847108	SUPPORT, SS SPCRUISER ENG HATCH 35"NON ADJ
	1848631	BRACKET, SS HATCH LIFT BTWN STRNGRS 15" 316SS
22	1799988	ACTUATOR, ELEC HATCH LIFT 18"12V 6000RPM
	1904292	ACTUATOR, ELEC HATCH LIFT 18"12V 500LB INLINE (TVD-CA-8.1 S HRZ DTS)(TVD-YANMAR 6LPA-STP V/D)
23	1884014	ACTUATOR, EXTEN 5.75"X 1 1/8"OD X .049"SS (ALL OTHER ENGINE OPTIONS)
	1884016	ACTUATOR, EXTEN 3.75"X 1 1/8"OD X .049"SS (STANDARD)
24	1686744	BRACKET, 320DA-02 HATCH LIFT UP
	1798146	ACTUATOR, ELEC HATCH UP
		PIN (PART OF 1686744)
25	791749	VENT, PLAS GRILL 4" WHT
26	124016	HOSE, VENT/BLOWER 4" EX HVY DTY

27 1794013 BLOWER, BILGE 4" ATTWOOD W/CONN

**BILGE COMPONENT BOARD**

140509	BOOT, ENG STARTER RED
1690189	BRACKET, PVC 1"X 1"X 5" LATCHING SOLENOID GRY
1185099	BRKR, SURF MNT THERMAL 100AMP MANUAL RESET
630871	BUSS BAR, MAIN DC GROUND (3-STUD)
1690175	BUSS BAR, LATCHING SOLENOID 5"X 1"NKCL PLTD
1888412	RESISTOR, VLTG SURGE BATT SOLENOID SUPPRESSOR

**HARNESSES**

1797180	HARNESS, TWN ENG INST/INTELIWHEEL S-CRFT
1798143	HARNESS, ENG MERC S-CRFT SC100 LINK EXT 6"
1897662	HARNESS, 350DA-08 BILGE AC GAS 120V
1903237	HARNESS, 350DA-08 BILGE AC GAS 220V (220 VOLT / 50 CYCLE)
1899303	HARNESS, 350DA-08 BILGE DC GAS
1903917	HARNESS, 350DA-08 S/D GAS BONDING
1686717	HARNESS, 340DA-03 EXTINGUISHER RELAY DSL (T-YANMAR 6LPA-STZP W/BR 3 S/D)(TVD-YANMAR 6LPA-STP V/D)
1903918	HARNESS, 350DA-08 S/D DSL BONDING (T-YANMAR 6LPA-STZP W/BR 3 S/D)(TVD-YANMAR 6LPA-STP V/D)
1904289	HARNESS, 350DA-08 YANMAR INTERFACE (T-YANMAR 6LPA-STZP W/BR 3 S/D)(TVD-YANMAR 6LPA-STP V/D)
1904290	HARNESS, 350DA-08 INST YANMAR (T-YANMAR 6LPA-STZP W/BR 3 S/D)(TVD-YANMAR 6LPA-STP V/D)
1913256	CABLE, TRIM PUMP WIRING KIT (T-YANMAR 6LPA-STZP W/BR 3 S/D)(TVD-YANMAR 6LPA-STP V/D)
1899307	HARNESS, 350DA-08 V/D BONDING (TVD-CA-8.1 S HRZ DTS)(TVD-YANMAR 6LPA-STP V/D)
1798207	HARNESS, ENG MERC DATA 14-PIN DTS 40'
1911119	HARNESS, SYSTEM SPEED OMEGA 3 RV4
1911120	HARNESS, ENG SYSTEMS TACH OMEGA 3 RV4

**MOLDING**

1396142 MOLDING, FOAM RBR "D-SHAPE" 1.75" W/HAT ADH

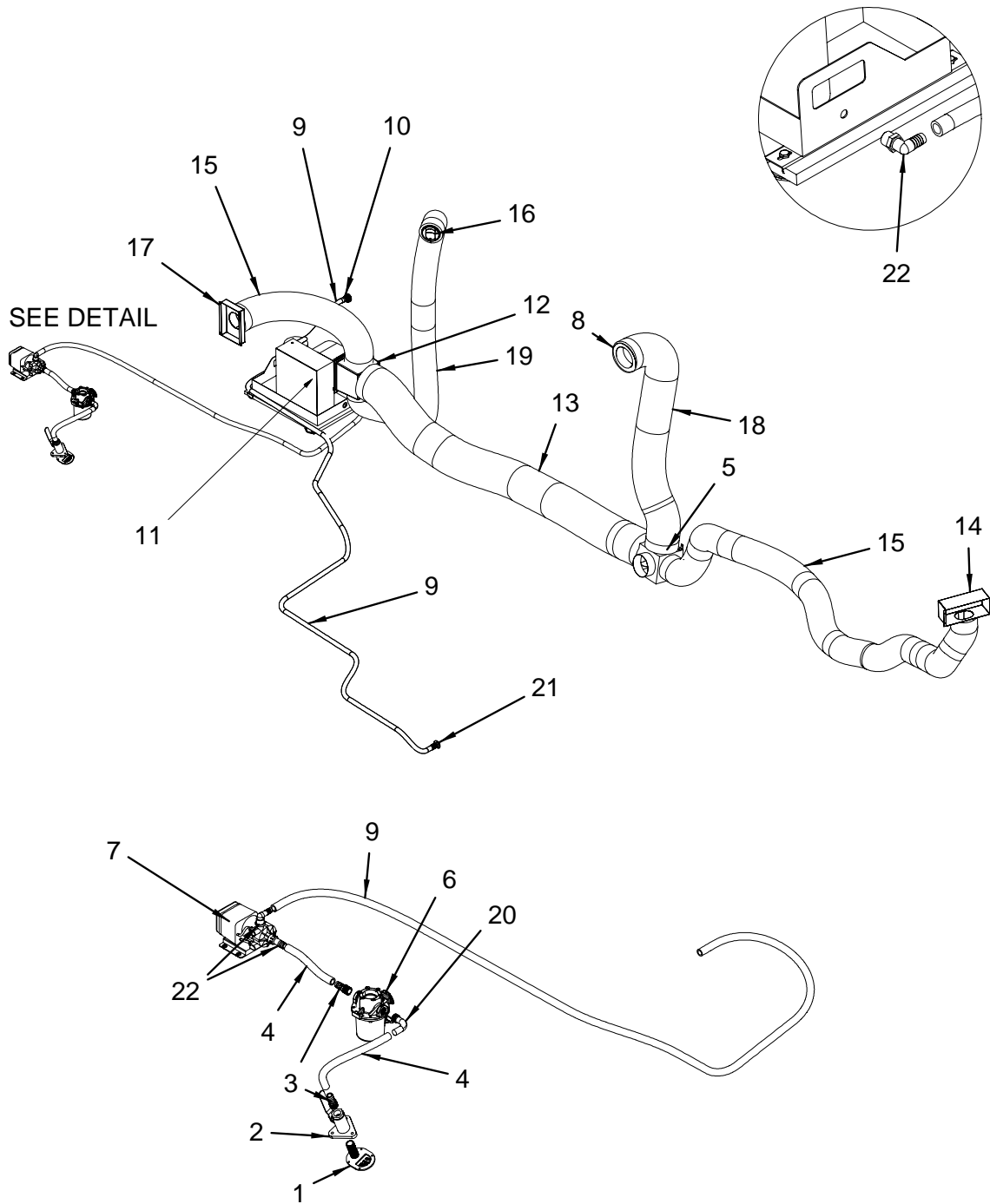
**NOT SHOWN**

1507342	ACC PART, MERC S-CRFT WTHR CAP 10POS CAP
1486497	ACC PART, VOLVO BOOT PROTECTIVE SLEEVE
958140	A/C COMP, HOSE RING 4" OBLONG
1656719	LATCH, FLUSH MOUNT ROUND T-HANDLE SS N/PAWL
1717451	PLATE, BACKING CKPT HATCH HINGE 1 3/16"X 8"
1717452	PLATE, BACKING CKPT HATCH HINGE 4"X 4 13/16"
1094606	ENGINE MT, ENG STEP PAD GAS/HURTH TRANS

**NOT SHOWN ELECTRICAL**

1690833	SOLENOID, EMERG START 12V 100AMP
140814	SOLENOID, EMERG START (12V DSL)
1013614	BUSS BAR, DC GROUND 10-POSITION

A/C SYSTEM



**A/C SYSTEM**

1	531574	PICK-UP, BRZ WATER INTAKE 3/4"
2	518431	SEACOCK, BRZ 3/4" W/O TAILPIECE
3	531426	ADAPTER, BRZ 3/4"MPT X 3/4" BARB
4	123810	HOSE, GEN PURPOSE 3/4"
5	1882308	A/C COMP, PLENUM BOX W/6L 5L 4T DIV 60/40
6	1791584	STRAINER, BRZ WTR INTAKE 3/4" W/NYLON STRAP
	1404854	PLUG, PLAS STRAINER DRAIN 1/4" DIA (PART OF 1791584)
	1851357	BRACKET, STRAINER MNT UPR (PART OF 1791584)
	1851358	BRACKET, STRAINER MNT LWR (PART OF 1791584)
	1904241	STRAINER, BASKET ONLY ARG-755 (PART OF 1791584)
7	948265	A/C COMP, PUMP 500GPH 115V 50/60HZ WTR COOL
	948349	A/C COMP, PUMP 500GPH 240V 50HZ WTR COOL
8	956771	A/C COMP, HOSE ADAPT 5" PLAS ROUND
9	1058957	HOSE, WATER A/C WHT 5/8"
10	1778933	THRU-HULL, SS 5/8" BARB SHORT
11	1772531	A/C COMP, COMPACT 16K SMXII HV 115V 60HZ R22
12	1896040	A/C COMP, PLENUM BLOWER 14/16HV QC 3B/4D/6E
13	430926	HOSE, AC/DUCT INSULATED 6" FLEX
14	1896037	A/C COMP, PLENUM GRILL 4"X10"X3.75"4T
15	639856	HOSE, AC/DUCT INSULATED 4" X 10'
16	1322940	A/C COMP, GRILL 3" BLK W/DBL LVR
17	1896461	A/C COMP, PLENUM GRILL 5.25"X 8.25"X 1.5" 4"O
18	266528	HOSE, AC/DUCT INSULATED 5"
19	720169	HOSE, AC/DUCT 3"
20	411132	ELBOW, PVC 1/2"MPT X 1/2" BARB X 90DEG
21	124487	THRU-HULL, PLAS 5/8" WHT
22	948273	A/C COMP, HOSE FITTINGS FOR PMP500

**AIR CONDITIONER COMPONENTS**

	1907358	A/C COMP, TURBO CRUISAIR 16K 115V/60HZ R22
	1907360	A/C COMP, TURBO CRUISAIR 16K 240V/50HZ 417A (220 VOLT / 50 CYCLE)

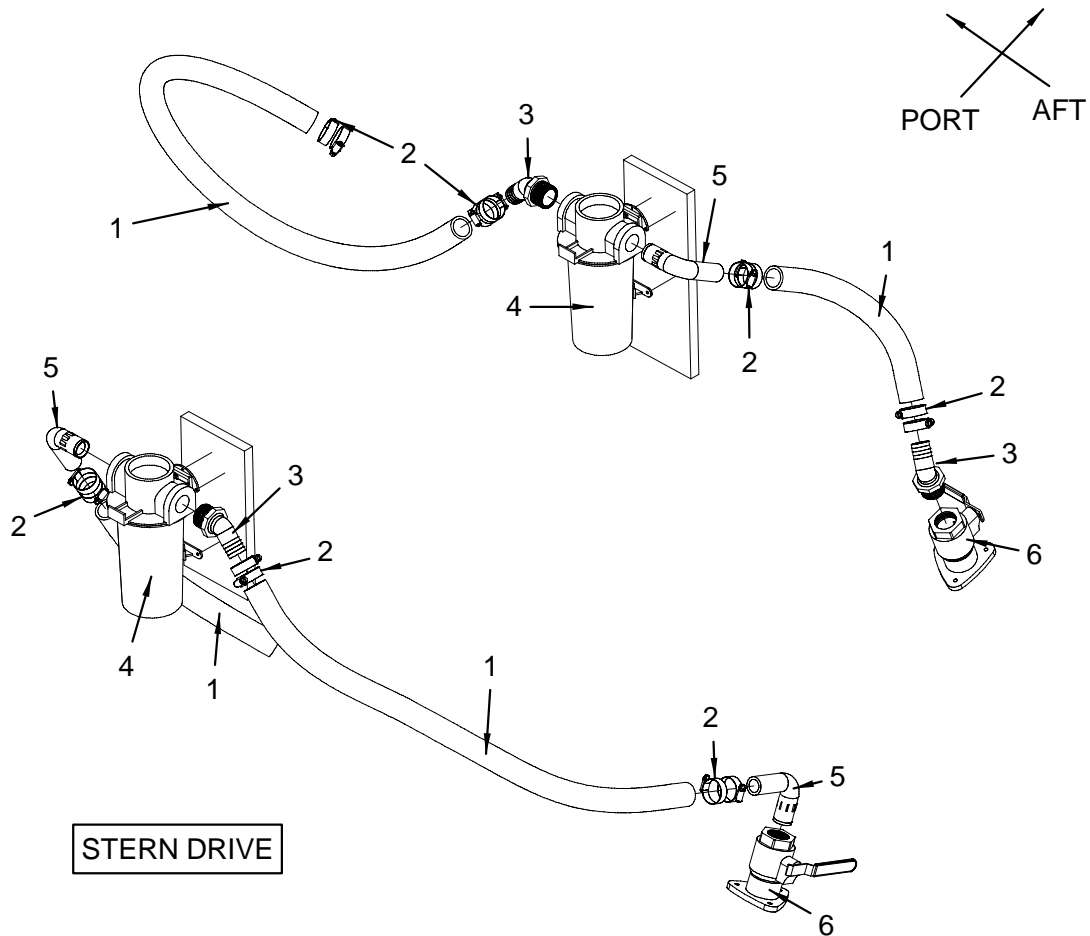
**CLAMPS**

	256677	CLAMP, HOSE #12 1/2"-1.25" SS .505
--	--------	------------------------------------

**NOT SHOWN**

	1690954	A/C COMP, CABLE INTERCONNECT 40'
--	---------	----------------------------------

**BILGE (WATER INTAKE SYSTEM) STERN DRIVE**

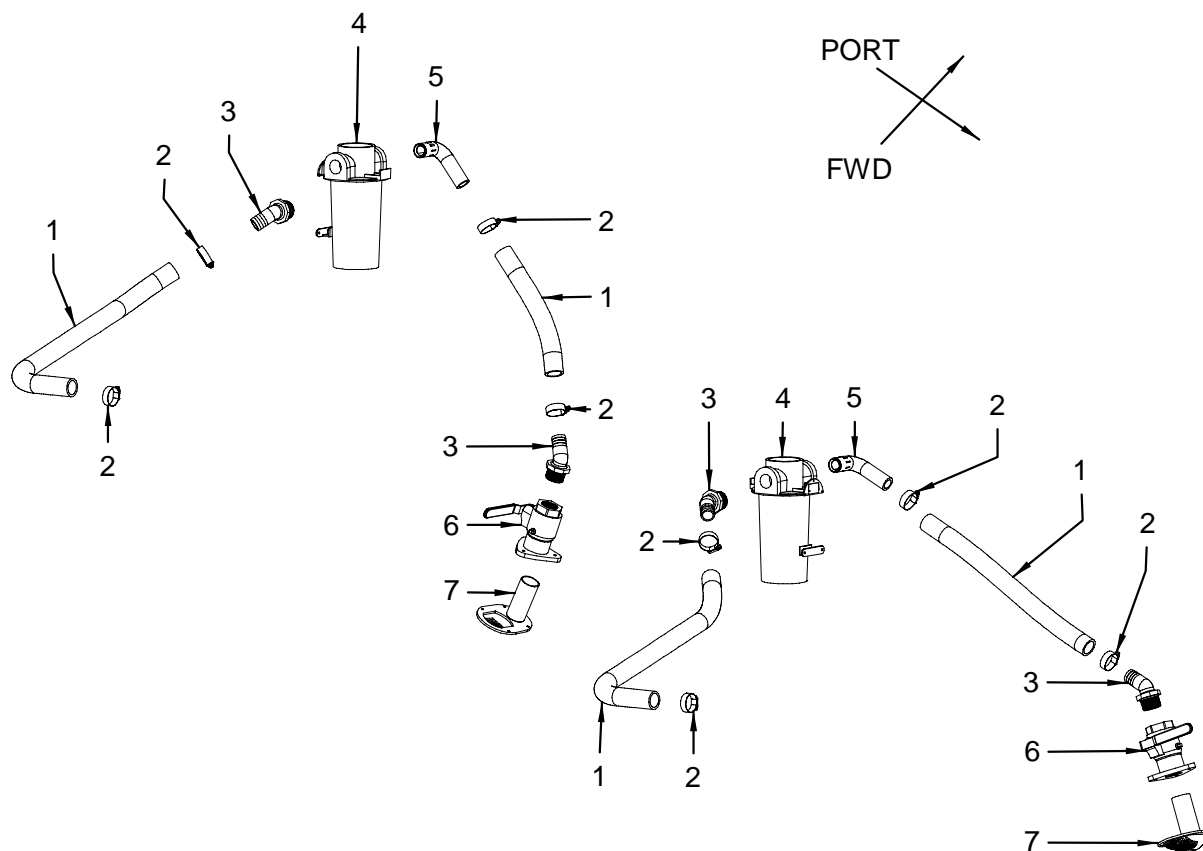


**STERN DRIVE**

**BILGE (WATER INTAKE SYSTEM) STERN DRIVE**

- 1 124206 HOSE, WATER INTAKE 1.25" HW
- 2 256693 CLAMP, HOSE #24 1"-2" SS .505
- 3 586917 ELBOW, BRZ 45DEG 1.25"MPT X 1.25"BARB
- 4 158063 STRAINER, BRZ WATER INTAKE 1.25"  
1884113 BRACKET, STRAINER MNT LWR BRZ  
(PART OF 158063)
- 1884114 CLAMP, SS STRAINER (STRAP)  
(PART OF 158063)
- 1904242 STRAINER, BASKET ONLY ARG-1250  
(PART OF 158063)
- 5 144691 ELBOW, BRZ 90DEG 1.25"MPT X 1.25"BARB (PERKO)
- 6 518449 SEACOCK, BRZ 1.25" W/O TAILPIECE  
531590 PICK-UP, BRZ WATER INTAKE 1.25"

**BILGE (WATER INTAKE SYSTEM) V-DRIVE**



**BILGE (WATER INTAKE SYSTEM) V-DRIVE**

- 1 124206 HOSE, WATER INTAKE 1.25" HW
- 2 256693 CLAMP, HOSE #24 1"-2" SS .505
- 3 586917 ELBOW, BRZ 45DEG 1.25"MPT X 1.25"BARB
- 4 158063 STRAINER, BRZ WATER INTAKE 1.25"
- 1884113 BRACKET, STRAINER MNT LWR BRZ (PART OF 158063)
- 1884114 CLAMP, SS STRAINER (STRAP) (PART OF 158063)
- 1904242 STRAINER, BASKET ONLY ARG-1250 (PART OF 158063)
- 5 144691 ELBOW, BRZ 90DEG 1.25"MPT X 1.25"BARB (PERKO)
- 1583475 STRAINER, BRZ WATER INTAKE 1.5" (TVD-CA-8.1 S HRZ DTS) (TVD-8.1 S HRZ DTS)
- 1685664 ELBOW, BRZ 90DEG 1.5"NPT X 1.75"BARB (TVD-YANMAR 6LPA-STP V/D)
- 6 531590 PICK-UP, BRZ WATER INTAKE 1.25"
- 161596 PICK-UP, BRZ WATER INTAKE 1.5" (TVD-YANMAR 6LPA-STP V/D)
- 7 518449 SEACOCK, BRZ 1.25" W/O TAILPIECE

**BRACKETS**

- 836114 BRACKET, PVC 1.5"X 1.5"X 6" 3/16"HOLES

**HOSES**

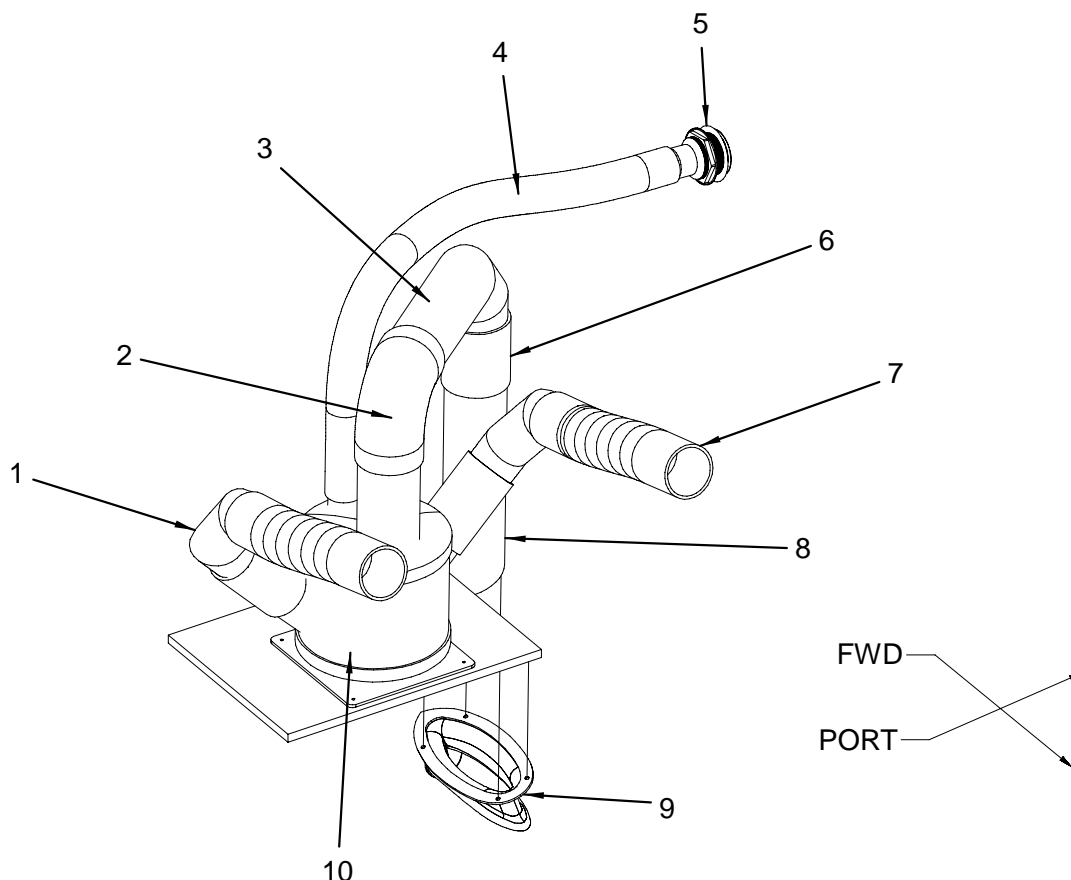
- 487736 HOSE, WATER INTAKE 1.75" HW (TVD-CA-8.1 S HRZ DTS)

**NOT SHOWN**

- 1685665 ADAPTER, BRZ 1.5"NPT X 1.75"BARB (TVD-YANMAR 6LPA-STP V/D)



**BILGE (EXHAUST SYSTEM)**



**BILGE (EXHAUST SYSTEM)**

**NOT SHOWN**

- 1 1523943 EXHAUST, 340DA-01 ELBOW 4" MERC HORIZON PRT
- 1523950 EXHAUST, 340DA-01 ELBOW 4" MERC HORIZON STB
- 2 860064 EXHAUST, EL 5"X 90DEG RBR W/T-BOLT CLAMPS
- 3 1686692 EXHAUST, 340DA-03 ELBOW 5" MERC
- 4 564682 HOSE, EXHAUST 2.5" HW
- 5 1761551 THRU-HULL, SS EXHAUST 2.5" X-LONG
- 6 124115 HOSE, EXHAUST 5" SW
- 7 124107 HOSE, EXHAUST 4" SW
- 8 1895436 TUBING, EXH GLASS 5"X 21.5"X 21DEG
- 9 1215573 EXHAUST, BRZ U/W EXH OUTLET GAS 99
- 10 1598564 MUFFLER, 360DA-02 V/D 22"

- 1497452 TAPE, FOAM NEOPRENE W/3M 9828 3/8"TH X 2"W

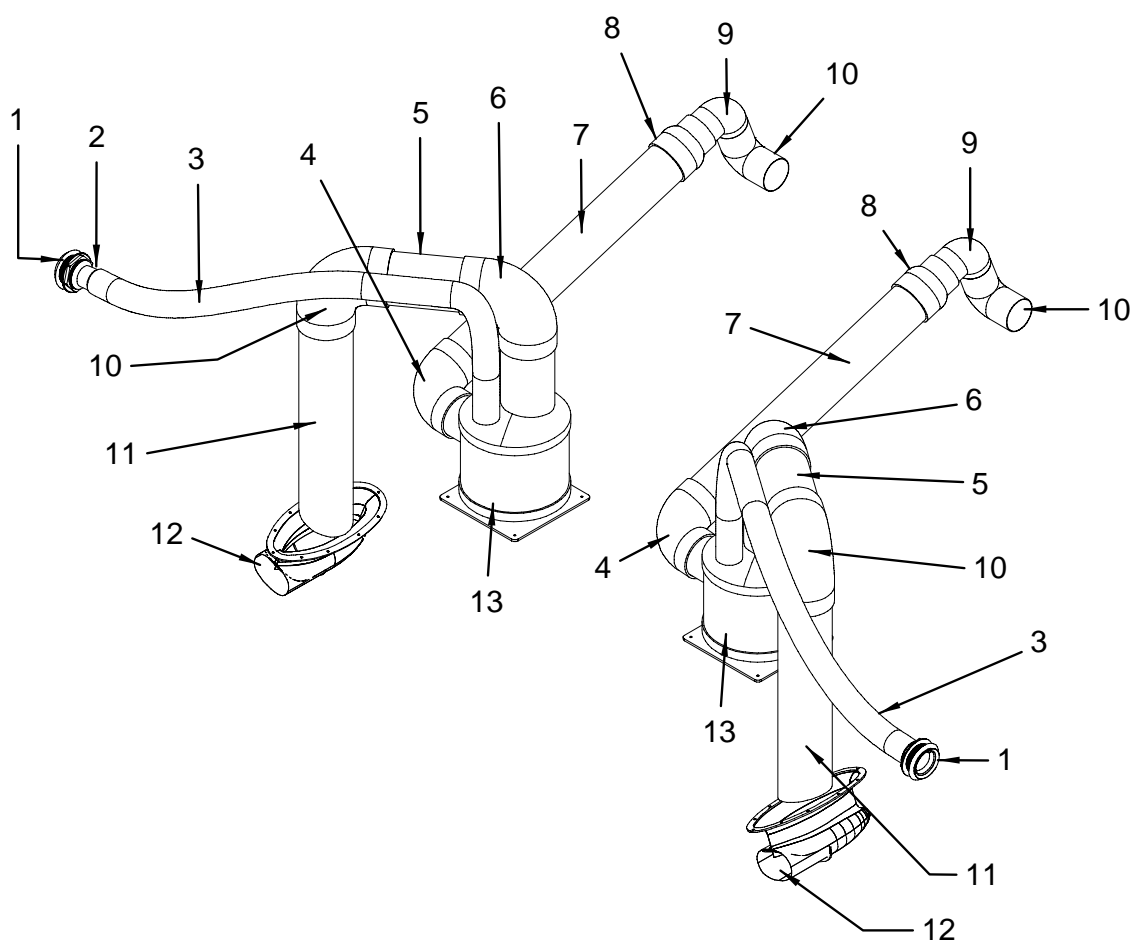
**CLAMPS**

- 256727 CLAMP, HOSE #48 1 5/8"-3.5" SS .505
- 256743 CLAMP, HOSE #72 3 1/8"-5" SS .505
- 256750 CLAMP, HOSE #88 4.25"-6" SS .505

**EXHAUST**

- 1583046 ACC PART, MERC EXHAUST INT ELBOW KIT  
(STERN DRIVE EXHAUST)
- 1583384 ACC PART, MERC EXHAUST PIPE (Y PIPE)  
(STERN DRIVE EXHAUST)

BILGE (EXHAUST SYSTEM OPTIONAL)



**BILGE (EXHAUST SYSTEM OPTIONAL)**

- 1 1761551 THRU-HULL, SS EXHAUST 2.5" X-LONG
- 2 256727 CLAMP, HOSE #48 1 5/8"-3.5" SS .505
- 3 564682 HOSE, EXHAUST 2.5" HW
- 4 860064 EXHAUST, EL 5"X 90DEG RBR W/T-BOLT CLAMPS
- 256750 CLAMP, HOSE #88 4.25"-6" SS .505
- 5 124115 HOSE, EXHAUST 5" SW
- 1688373 EXHAUST, TUBE 6"X 16"  
(TVD-YANMAR 6LPA-STP V/D (301BHP/288PHP))
- 6 860064 EXHAUST, EL 5"X 90DEG RBR W/T-BOLT CLAMPS
- 828277 EXHAUST, EL 6"X 90DEG RBR HT W/T-BOLT CLAMPS  
(TVD-YANMAR 6LPA-STP V/D (301BHP/288PHP))
- 7 124107 HOSE, EXHAUST 4" SW
- 1688655 TUBING, EXH GLASS 5"X 41"  
(TVD-YANMAR 6LPA-STP V/D (301BHP/288PHP))
- 8 1686692 EXHAUST, 340DA-03 ELBOW 5" MERC
- 9 1523943 EXHAUST, 340DA-01 ELBOW 4" MERC HORIZON PRT
- 10 1523950 EXHAUST, 340DA-01 ELBOW 4" MERC HORIZON STB
- 828277 EXHAUST, EL 6"X 90DEG RBR HT W/T-BOLT CLAMPS  
(TVD-YANMAR 6LPA-STP V/D (301BHP/288PHP))
- 11 1895436 TUBING, EXH GLASS 5"X 21.5"X 21DEG
- 1727434 TUBING, EXH GLASS 6"X 27" 340DA-03 YNMR V/D  
(TVD-YANMAR 6LPA-STP V/D (301BHP/288PHP))
- 12 1215573 EXHAUST, BRZ U/W EXH OUTLET GAS 99
- 1215581 EXHAUST, BRZ U/W EXH OUTLET DSL 99  
(TVD-YANMAR 6LPA-STP V/D (301BHP/288PHP))
- 13 1598564 MUFFLER, 360DA-02 V/D 22"
- 1634765 MUFFLER, 360DA-02 V-DRIVE YANMAR PORT  
(TVD-YANMAR 6LPA-STP V/D (301BHP/288PHP))

**EXHAUST**

- 1687599 EXHAUST, HOSE HUMP 5"X 4" BLK HT W/CLAMPS  
(TVD-YANMAR 6LPA-STP V/D (301BHP/288PHP))

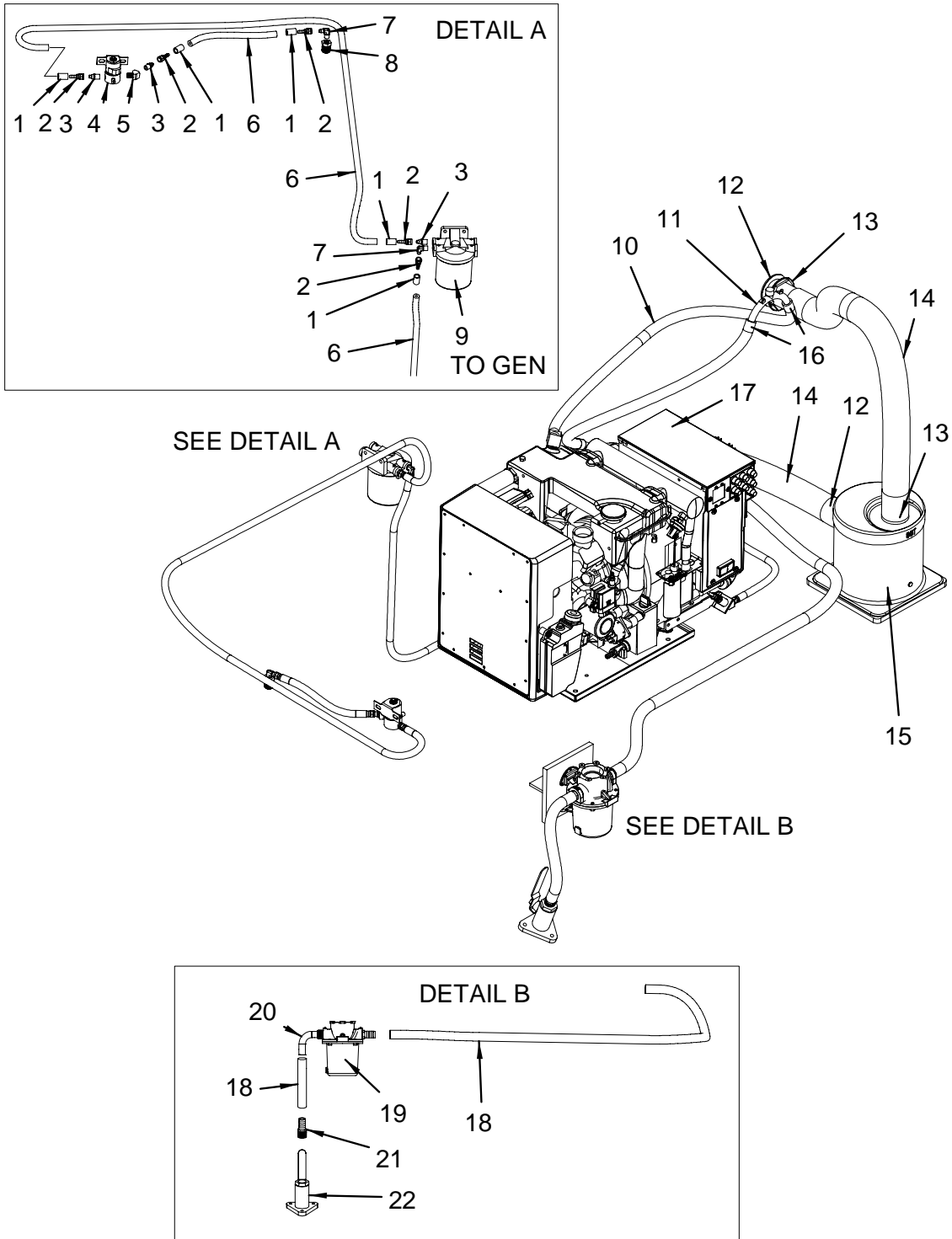
**HOSES**

- 1317569 HOSE, CORR 1.75" EXH HW

**NOT SHOWN**

- 1497452 TAPE, FOAM NEOPRENE W/3M 9828 3/8"TH X 2"W

**GENERATOR SYSTEM (GAS)**



**GENERATOR SYSTEM (GAS)**

- 1 1887693 FERRULE, FUEL LINE 1/4" .575"ID X .625"OD
- 2 1887750 FITTING, BRASS BARB/NUT 1/4" FEMALE SAE
- 3 162750 ADAPTER, BRASS 1/4"MPT X 1/4"SAE
- 4 1791155 VALVE, BRASS FUEL SHUT-OFF 12V SER7000 10W
- 5 140418 ELBOW, BRASS 90DEG STREET 1/4"
- 6 1884010 HOSE, FUEL 1/4" TYPE A CLASS 1-15 ISO/CE/CARB
- 7 629253 ELBOW, BRASS 90DEG 1/4"SAE X 1/4"MPT
- 8 147561 BUSHING, SS THD 1/4"FPT X 1/2"MPT
- 9 148171 FILTER, FUEL/WATER SEPARATOR KIT
- 123695 CLAMP, LOOM VINYL DIP #12 3/4"
- 10 124594 HOSE, WATER 5/8" HVY DTY (HEATER)
- 11 1568765 SYPHON BREAK KIT, GEN EXH 5KW GAS
- 12 1769255 THRU-HULL, SS EXHAUST 2" W/SS LIP
- 13 417717 CLAMP, HOSE #36 7/8"-2.75" SS .505
- 14 913053 HOSE, EXHAUST 2" CORR HW
- 15 1784602 MUFFLER, 2"IN X 2"OUT 9"X 9" BASE
- 16 256677 CLAMP, HOSE #12 1/2"-1.25" SS .505
- 17 1803671 GENERATOR, 5ECD GAS KOHLER 120V/60 SCRFT
- 1833211 GENERATOR, 4EFCD GAS KOHLER 220V/50 SCRFT
- 18 123810 HOSE, GEN PURPOSE 3/4"
- 256677 CLAMP, HOSE #12 1/2"-1.25" SS .505
- 1758957 PVC BOARD, 1/2"X 4'X 8' WHT INTEFOAM
- 19 1791584 STRAINER, BRZ WTR INTAKE 3/4" W/NYLON STRAP
- 1404854 PLUG, PLAS STRAINER DRAIN 1/4" DIA  
(PART OF 1791584)
- 1851357 BRACKET, STRAINER MNT UPR  
(PART OF 1791584)
- 1851358 BRACKET, STRAINER MNT LWR  
(PART OF 1791584)
- 1904241 STRAINER, BASKET ONLY ARG-755  
(PART OF 1791584)
- 20 169193 ELBOW, BRZ 90DEG 3/4"MPT X 3/4"BARB
- 21 531426 ADAPTER, BRZ 3/4"MPT X 3/4"BARB
- 22 518431 SEACOCK, BRZ 3/4" W/O TAILPIECE
- 640300 THRU-HULL, BRZ 3/4" W/O NUT

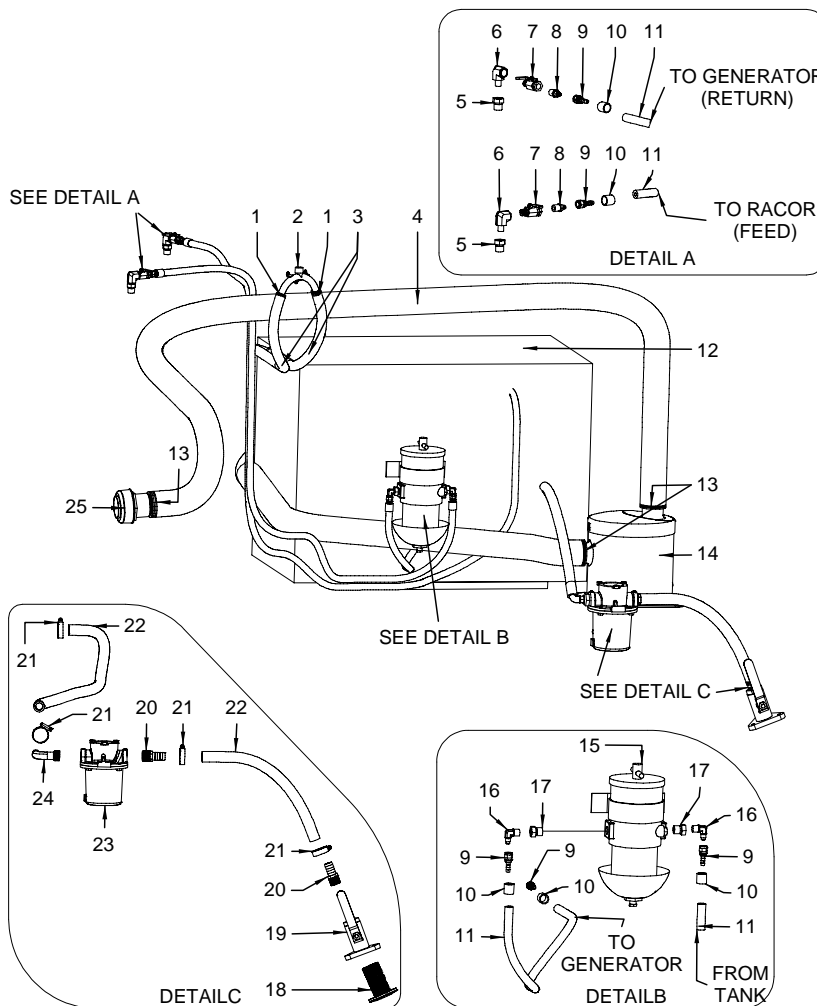
**GAUGES**

- 1881424 GAUGE, KOHLER GEN REMOTE CNTRL

**HARNESSES**

- 1899143 HARNESS, 350DA-08 GEN KOHLER ECD GAS 120/220V

**GENERATOR SYSTEM (DIESEL)**



**GENERATOR SYSTEM (DIESEL)**

- 1 256677 CLAMP, HOSE #12 1/2"-1.25" SS .505
- 2 1568765 SYPHON BREAK KIT, GEN EXH 5KW GAS
- 3 124594 HOSE, WATER 5/8" HVY DTY (HEATER)
- 4 913053 HOSE, EXHAUST 2" CORR HW
- 5 791392 BUSHING, SS THD 1/4"FPT X 3/8"MPT
- 6 1341957 ELBOW, BRASS 90DEG STREET 1/4"MPT X 1/4"FPT
- 7 1764348 VALVE, BRASS FUEL 1/4"MPT X 1/4"FPT LO-PRO
- 8 162750 ADAPTER, BRASS 1/4"MPT X 1/4"SAE
- 9 1887750 FITTING, BRASS BARB/NUT 1/4" FEMALE SAE
- 10 1887693 FERRULE, FUEL LINE 1/4" .575"ID X .625"OD
- 11 1884010 HOSE, FUEL 1/4" TYPE A CLASS 1-15 ISO/CE/CARB
- 12 1895081 GENERATOR, 6.0 KW DSL KOHLER 6EOD 120V/60HZ
- 13 417717 CLAMP, HOSE #36 7/8"-2.75" SS .505
- 14 1784602 MUFFLER, 2"IN X 2"OUT 9"X 9" BASE
- 160374 MUFFLER, DRAIN PLUG  
**(PART OF 1784602)**
- 15 1524065 FILTER, REMOTE FUEL DSL (500MASR)
- 16 629253 ELBOW, BRASS 90DEG 1/4"SAE X 1/4"MPT
- 17 791392 BUSHING, SS THD 1/4"FPT X 3/8"MPT
- 18 640300 THRU-HULL, BRZ 3/4" W/O NUT
- 19 518431 SEACOCK, BRZ 3/4" W/O TAILPIECE
- 20 531426 ADAPTER, BRZ 3/4"MPT X 3/4"BARB
- 21 256677 CLAMP, HOSE #12 1/2"-1.25" SS .505
- 22 123810 HOSE, GEN PURPOSE 3/4"
- 23 1791584 STRAINER, BRZ WTR INTAKE 3/4" W/NYLON STRAP

- 23 1904241 STRAINER, BASKET ONLY ARG-755  
**(PART OF 1791584)**
- 1404854 PLUG, PLAS STRAINER DRAIN 1/4" DIA  
**(PART OF 1791584)**
- 1851357 BRACKET, STRAINER MNT UPR  
**(PART OF 1791584)**
- 1851358 BRACKET, STRAINER MNT LWR  
**(PART OF 1791584)**
- 24 169193 ELBOW, BRZ 90DEG 3/4"MPT X 3/4"BARB
- 25 1769255 THRU-HULL, SS EXHAUST 2" W/SS LIP
- 1835350 THRU-HULL, FLAP ONLY SS EXH 2" X-LONG  
**(PART OF 1769255)**

**CLAMPS**

- 123695 CLAMP, LOOM VINYL DIP #12 3/4"

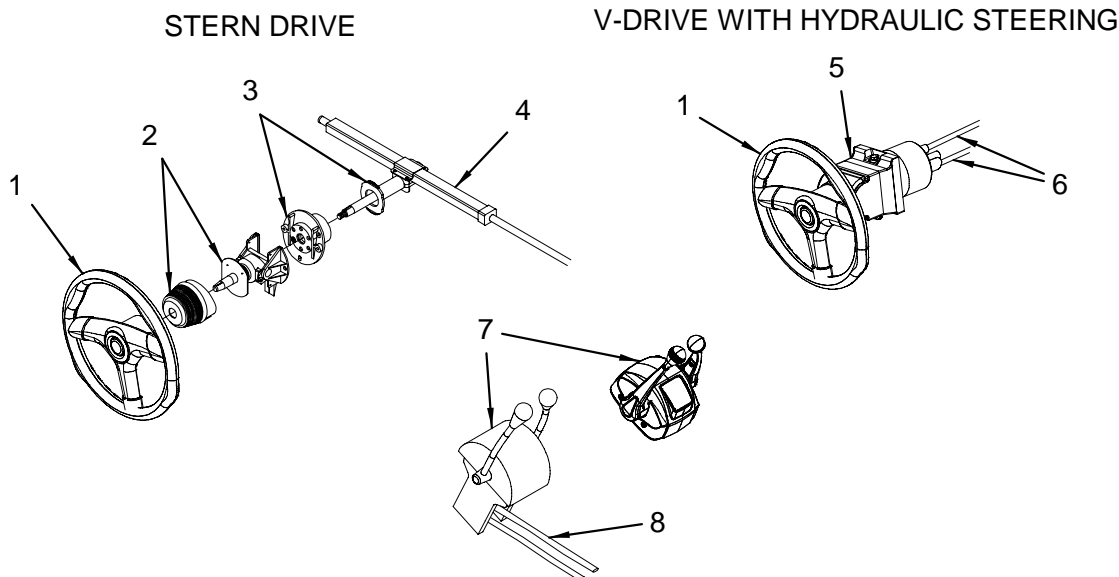
**HARNESSES**

- 1904288 HARNESS, 350DA-08 GEN KOHLER ECD DSL 120/220V

**NOT SHOWN**

- 1934788 PANEL, 350DA-08 IGN KEY SW DSL W/GEN  
**(GENERATOR 6.0 EFOZ KOHLER -DIESEL-120V/60HZ)**

**STEERING SYSTEM (STERN DRIVE)**



**STEERING SYSTEM (STERN DRIVE)**

- 1 1810006 STEERING WHEEL, 14.25" SPCRUIS SEARS W/BLK
- 1747682 EMBLEM, S/R EMB SCRIPT WHEEL CHR-BEZEL 1.75"
- 1835885 STEERING WHEEL, CHR RING FOR 1810006
- 2 1823728 STEERING, PERFORMANCE TILT PRO-SERIES MECH
- 1945682 STEERING, PERFORMANCE TILT DELPHI BOOT
- 3 1092246 STEERING, TILT HELM BACK-MNT
- 4 1091891 STEERING, BACK MNT RACK/CABLE 21.0' ASSY
- 5 317032 STEERING, HELM PUMP SEA STAR I TILT
- 6 1762738 HOSE KIT, 320/340SDA-04 HYD .313ID 24'
- 7 1883502 CONTROL, DTS TS/TS W/CAN TRACKPAD
- 1051689 CONTROL, THRTL/SHFT W/SS HANDLES W/GOLD KNOBS
- YANMAR INBOARDS DSL**
- 8 1547538 CABLE, CONTROL TELEFLEX TFXEXTREME 22' W/CLIPS
- YANMAR S/D**
- 1534437 CABLE, CONTROL TELEFLEX TFXEXTREME 24' W/CLIPS
- YANMAR S/D**
- 1881784 CABLE, CONTROL MERC SAE/SAE ENG END PLAT 18'
- (TVD-YANMAR 6LPA-STP V/D)
- 1881785 CABLE, CONTROL MERC SAE/SAE ENG END PLAT 20'
- (TVD-YANMAR 6LPA-STP V/D)

**HARNESSES**

- 1802106 HARNESS, ENG MERC S-CRFT 14 PIN 25'
- (T-YANMAR 6LPA-STZP W/BR 3 S/D)
- 1802107 HARNESS, ENG MERC S-CRFT 14 PIN 30'
- (T-YANMAR 6LPA-STZP W/BR 3 S/D)

**MERCURY DTS SYSTEM TWIN ENGINE STERNDRIIVE**

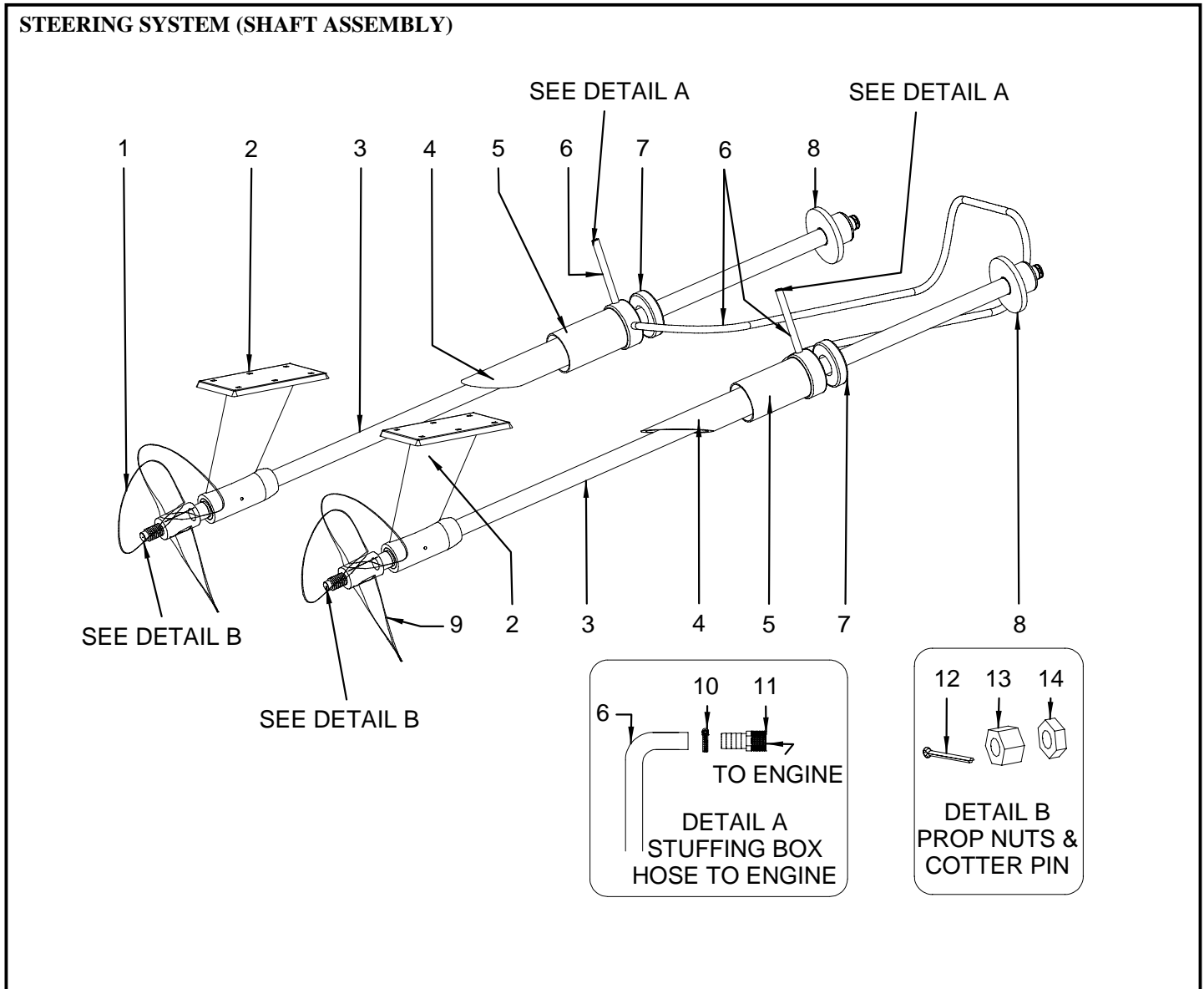
- 1507292 HARNESS, ENG SYSTEMS TACH/MONITOR
- 1507300 HARNESS, SYSTEM SPEED
- 1507326 ACC PART, MERC S-CRFT JUNC BOX 4-WAY
- 1690375 ACC PART, S-CRFT PITOT SENSOR
- 1772366 HARNESS, ENG MERC DATA 14-PIN DTS 30'
- 1790090 ACC PART, EXT HARNESS 15' MERC KEY SW
- 1812222 HARNESS, ENG MERC DATA 14-PIN DTS 25'
- 1849960 HARNESS, MERC 10 PIN FEMALE TO FEMALE ADP
- 1883476 SWITCH, DTS IGN ASSY DUAL 3-POS W/MATCHED KEY
- 1891375 HARNESS, MERC DUAL V V IGN POWER

**NOT SHOWN**

- 1073758 CONTROL, NEUTRAL SAFETY SWITCH
- 161349 SHIM, BRASS 2"X 2"X 3/16"

**NOT SHOWN DIESEL ENGINES**

- 1888255 CABLE, CONTROL MERC SAE/MERC ENG END PLAT 24'
- 1888260 CABLE, CONTROL MERC SAE/MERC ENG END PLAT 22'



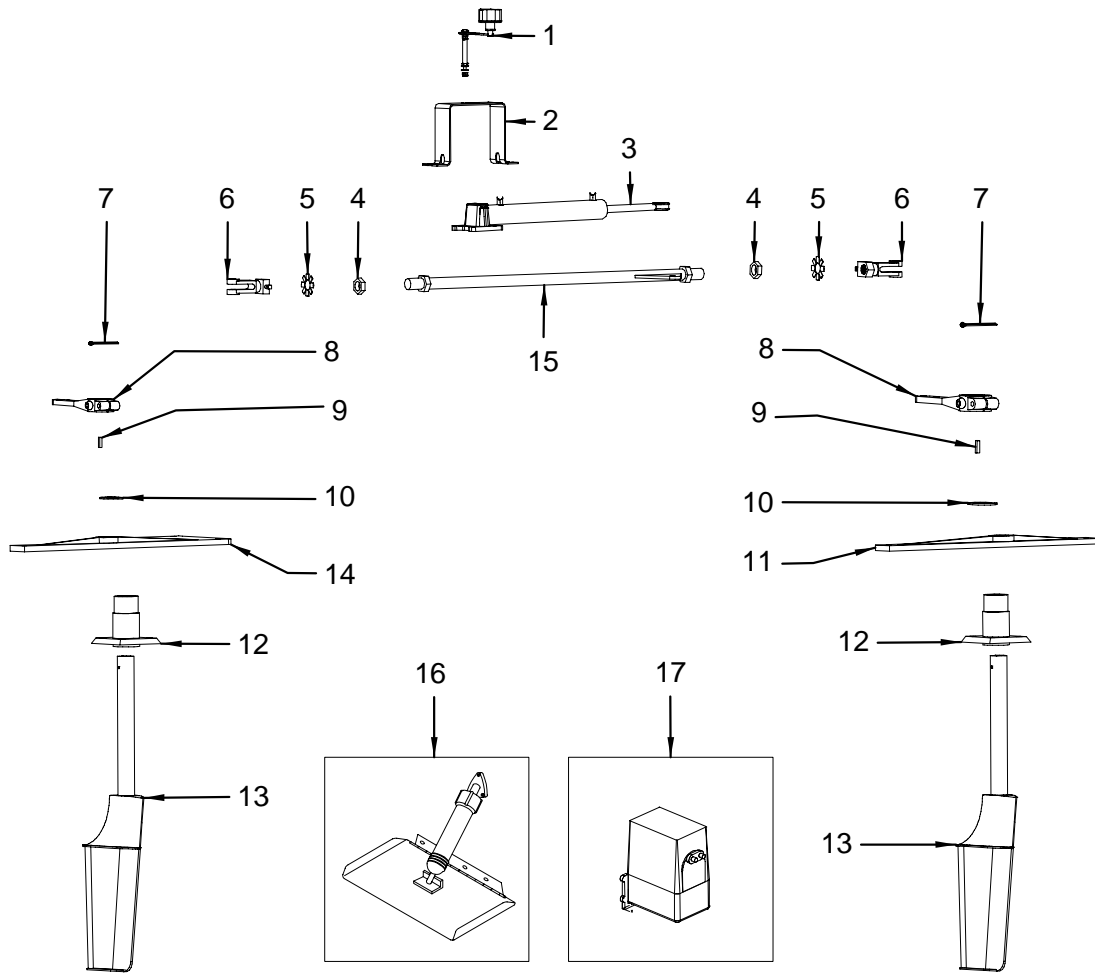
**STEERING SYSTEM (SHAFT ASSEMBLY)**

- 1 708214 PROP, 15.25"X 26" SS BR3 LH
- 1909267 PROP, 18"X 20.5"X 4.50" "Z" L4BL 1.5"SHAFT
- 708172 PROP, 15.75"X 22" SS BR3 LH  
(T-YANMAR 6LPA-STZP W/BR 3 S/D)
- 1911357 PROP, 18"X 20"X 5.25" "Z" R4BL 1.75"SHAFT  
(TVD-CA-8.1 S HRZ DTS)(TVD-8.1 S HRZ DTS)
- 1909440 PROP, 18"X 21"X 5.25" "Z" LH #4C 1.75"B  
(TVD-YANMAR 6LPA-STP V/D)
- 2 1603547 STRUT, W/BEARING 1.5"W/1/2"MNT HOLES 320DA-02
- 1911165 STRUT, W/BEARING 1.75"W/1/2"MNT HOLE 350DA-08  
(TVD-CA-8.1 S HRZ DTS)(TVD-YANMAR 6LPA-STP V/D)
- 3 981522 SHAFT, SS 1.5"X 73.19" AQ19 W/COUPLING
- 1911345 SHAFT, SS 1.75"X 72.37" AQ22 W/COUPL  
(TVD-CA-8.1 S HRZ DTS)(TVD-YANMAR 6LPA-STP V/D)
- 1440742 NUT, JAM 1 1/8" X 12 HVY NYLOCK ZINC PLATED  
(PART OF 981522)
- 1690738 KEY STOCK, COUPL 3/8"X 2 3/8" SS  
(PART OF 981522)
- 1690739 KEY STOCK, PROP 3/8"X 3 3/8" BRNZ  
(PART OF 981522)
- 4 1878560 TUBING, SHAFT LOG 2 5/8"X 16.25"L W/22DEG
- 1618305 TUBING, SHAFT LOG 3 1/2"X 18.08"W/22DEG L  
(TVD-CA-8.1 S HRZ DTS)(TVD-YANMAR 6LPA-STP V/D)
- 5 587147 STUFFING BOX, RUDDER W/PACK 1.5"DIA
- 1619436 STUFFING BOX, UHMW 1.75"ID 3.5"HOSE DUAL SHRT  
(TVD-CA-8.1 S HRZ DTS)(TVD-YANMAR 6LPA-STP V/D)
- 1691383 HOSE, SHAFT LOG 2.5"X2.625"X4.75"BLUE SILICON  
(PART OF 1683551)

- 5 803734 SEAL KIT, SPARE SHAFT STUFFING BOX 1.75"W/TOOL
- 1733930 CAP, FRONT SEAL SHAFT STUFF BOX 1.5" & 1.75"  
(PART OF 1683551)
- 6 1884011 HOSE, FUEL 3/8" TYPE A CLASS 1-15 ISO/CE/CARB
- 7 803718 SEAL KIT, SPARE SHAFT STUFFING BOX 1.5"W/TOOL
- 8 991265 COUPLING, 1.5" HURTH REVERSED TAPPER  
(PART OF 981522)
- 9 708222 PROP, 14"X 26" SS BR3 RH
- 1909268 PROP, 18"X 20"X 4.50" "Z" R4BL 1.5"SHAFT
- 708180 PROP, 14.25"X 22" SS BR3 RH  
(T-YANMAR 6LPA-STZP W/BR 3 S/D)
- 1911358 PROP, 18"X 20.5"X 5.25" "Z" L4BL 1.75"SHAFT  
(TVD-CA-8.1 S HRZ DTS)(TVD-8.1 S HRZ DTS)
- 1909439 PROP, 18"X 21"X 5.25" "Z" RH #4C 1.75"B  
(TVD-YANMAR 6LPA-STP V/D)
- 10 123398 CLAMP, HOSE #06M 5/16"-7/8"SS MINI
- 11 1046382 ADAPTER, BRASS 3/8"MPT X 3/8"BARB
- 12 1690740 PIN, COTTER PIN 5/32"X 1 3/4" SS  
(PART OF 981522)
- 13 1440718 NUT, HEX 1 1/8"X 7 BRZ HVY FULL  
(PART OF 981522)
- 14 1440726 NUT, HEX 1 1/8"X 7 BRZ HVY JAM  
(PART OF 981522)



**STEERING SYSTEM (AFT)**



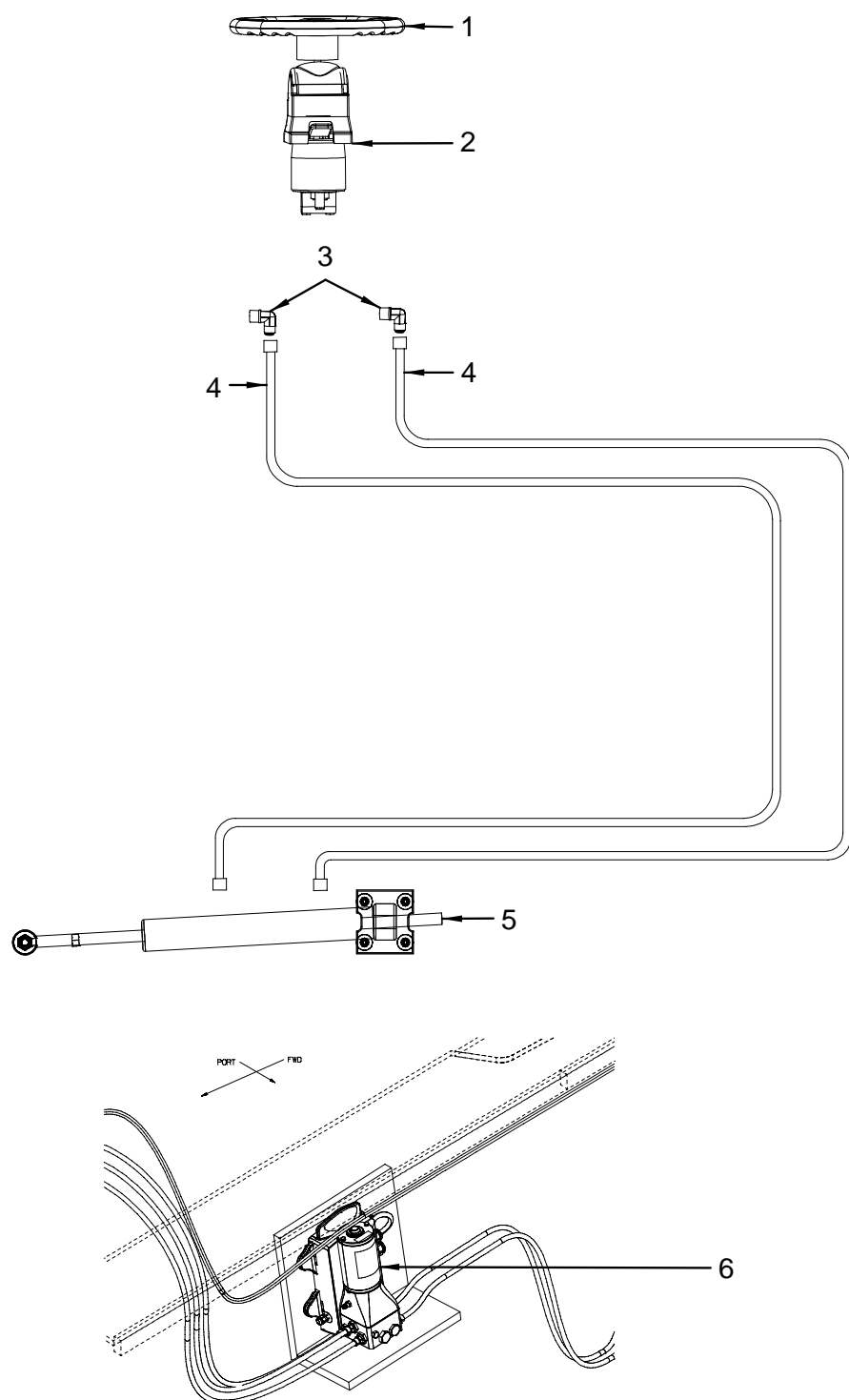
**STEERING SYSTEM (AFT)**

- 1 1610427 SENDER, MERC S/CRFT STEERING/RDR REFERENCE
- 2 1733142 BRACKET, SS RDR INDCATR W/SCRFT KIT
- 1689718 HARNESS, MERC S-CRFT STEER EXT
- 3 127068 STEERING, HYD CYLINDER BA135-7ATM I/B
- 4 143990 NUT, HEX JAM NUT #1-14 SS
- 5 622910 WASHER, TIE BAR LOCK WASHER 1" SS
- 6 143222 RUDDER CLEVIS, 4"LONG X 1"-14 FPT
- 7 144402 PIN, COTTER PIN 5/32"X 2" SS
- 8 1895992 RUDDER ARM, 1.5"DIA X 9 3/8"
- 9 144394 KEY STOCK, RUDDER 1/4"X 1/4"X 12" BRASS
- 10 161257 WASHER, RUDDER WASHER 1.5"
- 11 1125194 RUDDER SUPPORTS, STRUT W/STEERING RAM MNT
- 12 1683551 STUFFING BOX, UHMW 1.5"ID 4.75"HOSE
- 1733930 CAP, FRONT SEAL SHAFT STUFF BOX 1.5" & 1.75"
- 1691383 HOSE, SHAFT LOG 2.5"X2.625"X4.75"BLUE SILICON
- 803718 SEAL KIT, SPARE SHAFT STUFFING BOX 1.5"W/TOOL
- 13 604850 RUDDER, 310SB/350EB
- 14 161182 RUDDER SUPPORTS, 440AC/390EC
- 15 142083 TIE BAR, MERC V-8 TYPE 30"-46"
- 1684347 TIE BAR, RUDDER 36.75"HYD STER W/TAB 340DA-03
- 16 725937 TRIM TAB, ASSY 12X18 SGL ACT
- 133876 TRIM TAB, HYD CYLINDER ONLY
- (PART OF TRIM TAB ASSY)
- 17 268508 TRIM TAB, HYD PUMP KIT W/3"NIPPLE
- 841825 SHIM, PVC TRIM TAB PUMP BLK

**RAYMARINE AUTOPILOT ST-7002+ V-DRIVES ONLY**

- 1727593 BRACKET, SS RUDDER INDICATOR RAYMAR W/S-CRFT
- 1762407 STEERING HOSE, 5/16"X 3"W/FITTINGS (SEASTAR)
- 1765809 STEERING HOSE, 5/16"X 16"W/FITTINGS (SEASTAR)
- 1765810 STEERING HOSE, 5/16"X 20"W/FITTINGS (SEASTAR)
- 1884429 PIN, RDR INDCATR RAYMARINE ALL THREAD

STEERING SYSTEM (HYDRAULIC ASSEMBLY)



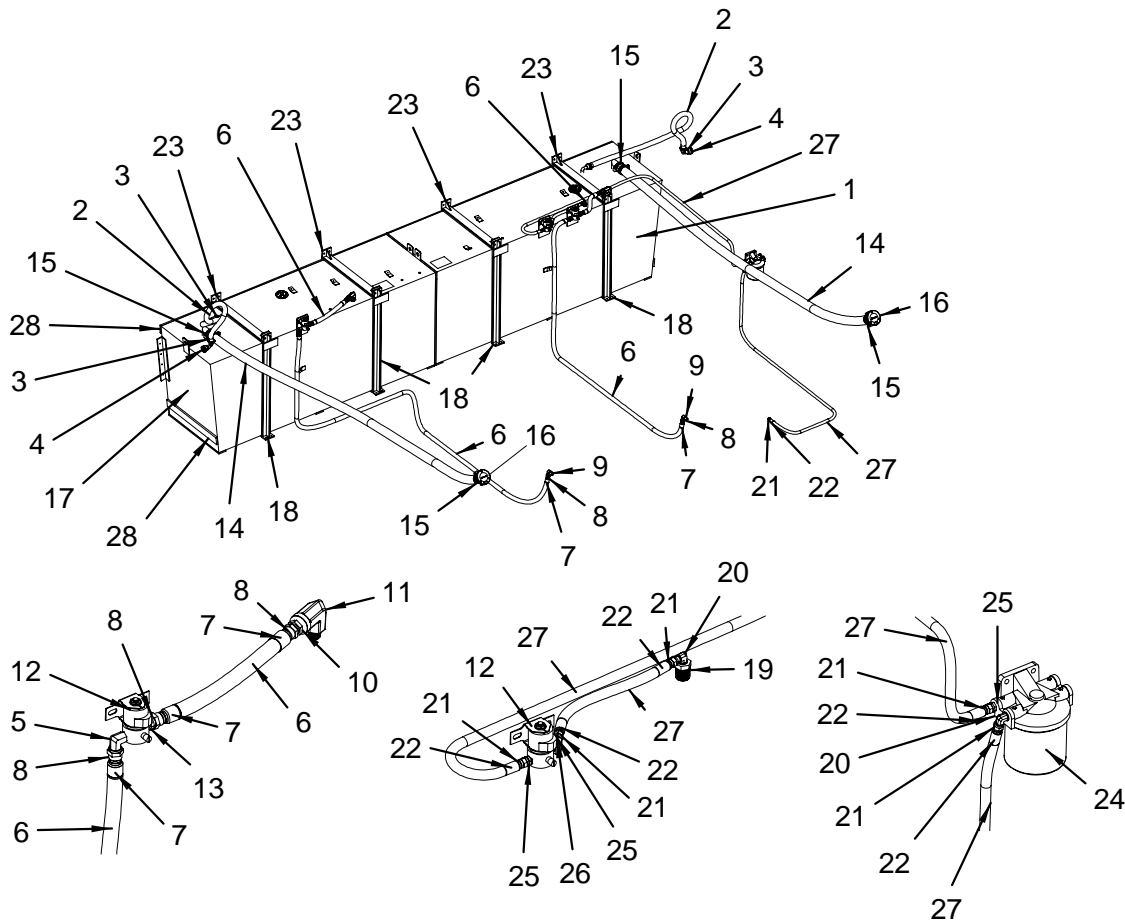
**STEERING SYSTEM (HYDRAULIC ASSEMBLY)**

- 1 1810006 STEERING WHEEL, 14.25" SPCRUIS SEARS W/BLK
- 1747682 EMBLEM, S/R EMB SCRIPT WHEEL CHR-BEZEL 1.75"
- 1835885 STEERING WHEEL, CHR RING FOR 1810006
- 2 317032 STEERING, HELM PUMP SEA STAR I TILT
- 3 999284 STEERING, FITTING ELBOW TUBE TO 1/4"MPT
- 4 1776219 STEERING HOSE, 5/16"X 12"W/FITTINGS (SEASTAR)
- 5 127068 STEERING, HYD CYLINDER BA135-7ATM I/B
- 6 1771726 STEERING, PUMP SEA STAR PWR ASSIST 12V

**NOT SHOWN**

- 1895423 CONTROL, DUAL IGN KIT

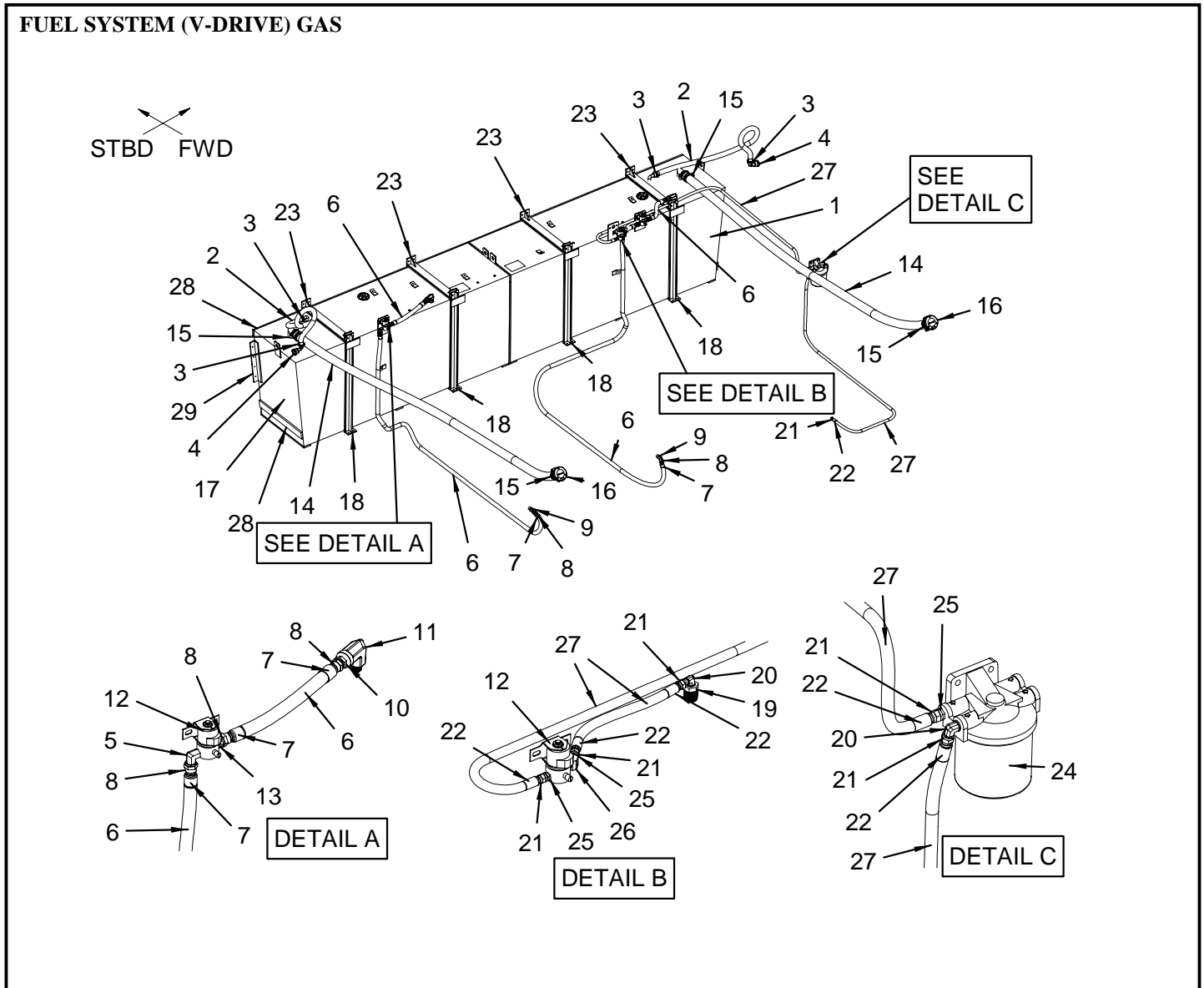
**FUEL SYSTEM (STERN DRIVE) GAS**



**FUEL SYSTEM (STERN DRIVE) GAS**

- 1 1893392 TANK, FUEL 350DA-08 113GL GAS STB W/ULTSONC
- 1958982 SENDING UNIT, FUEL SENDER ULTSN GAS 24" 3WIRE
- (ORDER THIS PART IN PLACE OF 1952871)
- 1952871 SENDING UNIT, FUEL SENDER ULTSONC GAS STB
- (CANNOT GET, ORDER 1898982)
- 2 123778 HOSE, FUEL 5/8" TYPE A CLASS 1 ISO/CE
- 3 256677 CLAMP, HOSE #12 1/2"-1.25" SS .505
- 4 1433176 VENT, FUEL/WATER SS 5/8" 90DEG FLSH MNT
- 5 168955 ELBOW, BRASS 90DEG 1/4"MPT X 1/2"SAE
- 6 1884012 HOSE, FUEL 1/2" TYPE A CLASS 1-15 ISO/CE/CARB
- 7 1887695 FERRULE, FUEL LINE 1/2" .850"ID X .90"OD
- 8 1887748 FITTING, BRASS BARB/NUT 1/2" FEMALE SAE
- 9 169748 ELBOW, BRASS 90DEG 1/2"SAE X 3/8"MPT
- 10 169821 ADAPTER, BRASS 1/2"MPT X 1/2"SAE
- 11 1686552 ELBOW, SS 90DEG 1/2"MPT X 1/2"FPT
- 12 1791155 VALVE, BRASS FUEL SHUT-OFF 12V SER7000 10W
- 13 169920 ADAPTER, BRASS 1/4"MPT X 1/2"SAE
- 14 123745 HOSE, FUEL 1.5" TYPE A CLASS 2
- 15 256701 CLAMP, HOSE #28 1 5/16"-2.25"SS .505
- 16 1109313 DECK PLATE, GAS SS 1.5" RED CLR-CODE
- 522557 DECK PLATE, CAP W/CHAIN GAS/WATER
- (PART OF 1109313)
- 522599 KEY, DECK PLATE CAP
- (PART OF 1109313)
- 17 1893393 TANK, FUEL 350DA-08 113GL GAS PRT W/ULTSONC
- 1958982 SENDING UNIT, FUEL SENDER ULTSN GAS 24" 3WIRE
- (ORDER THIS PART IN PLACE OF 1952872)

- 17 1952872 SENDING UNIT, FUEL SENDER ULTSONC GAS PRT
- (CANNOT GET, ORDER 1958982)
- 18 1686595 BRACKET, 340DA-03 FUEL TANK AFT STRAP
- 1497452 TAPE, FOAM NEOPRENE W/3M 9828 3/8"TH X 2"W
- 19 147561 BUSHING, SS THD 1/4"FPT X 1/2"MPT
- 20 629253 ELBOW, BRASS 90DEG 1/4"SAE X 1/4"MPT
- 21 1887750 FITTING, BRASS BARB/NUT 1/4" FEMALE SAE
- 22 1887693 FERRULE, FUEL LINE 1/4" .575"ID X .625"OD
- 23 1686594 BRACKET, 340DA-03 FUEL TANK TOP STRAP
- 24 148171 FILTER, FUEL/WATER SEPARATOR KIT
- 25 162750 ADAPTER, BRASS 1/4"MPT X 1/4"SAE
- 26 757021 ELBOW, BRASS 45DEG STREET 1/4"
- 27 1884010 HOSE, FUEL 1/4" TYPE A CLASS 1-15 ISO/CE/CARB
- 28 1497452 TAPE, FOAM NEOPRENE W/3M 9828 3/8"TH X 2"W

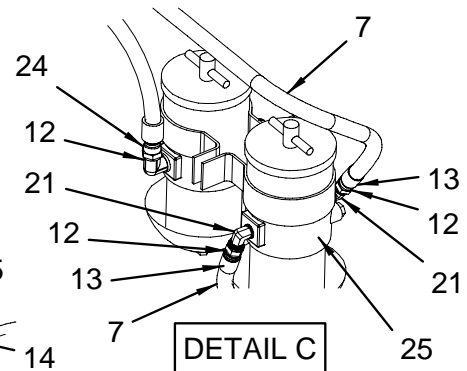
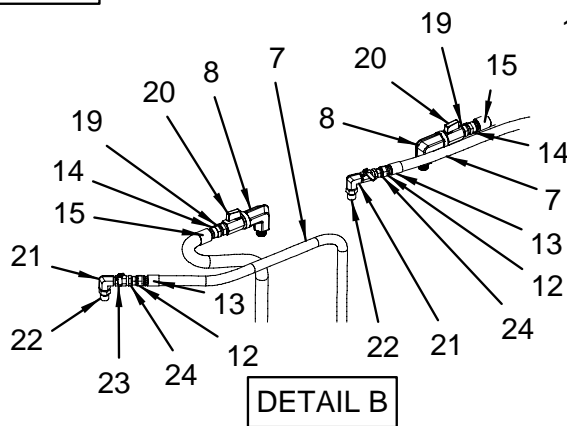
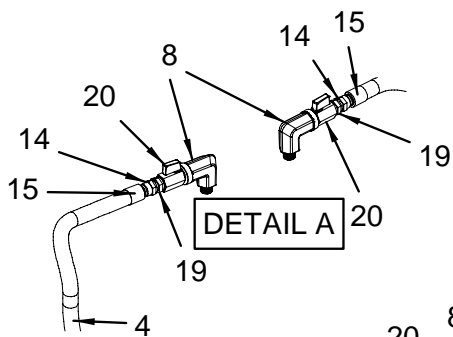
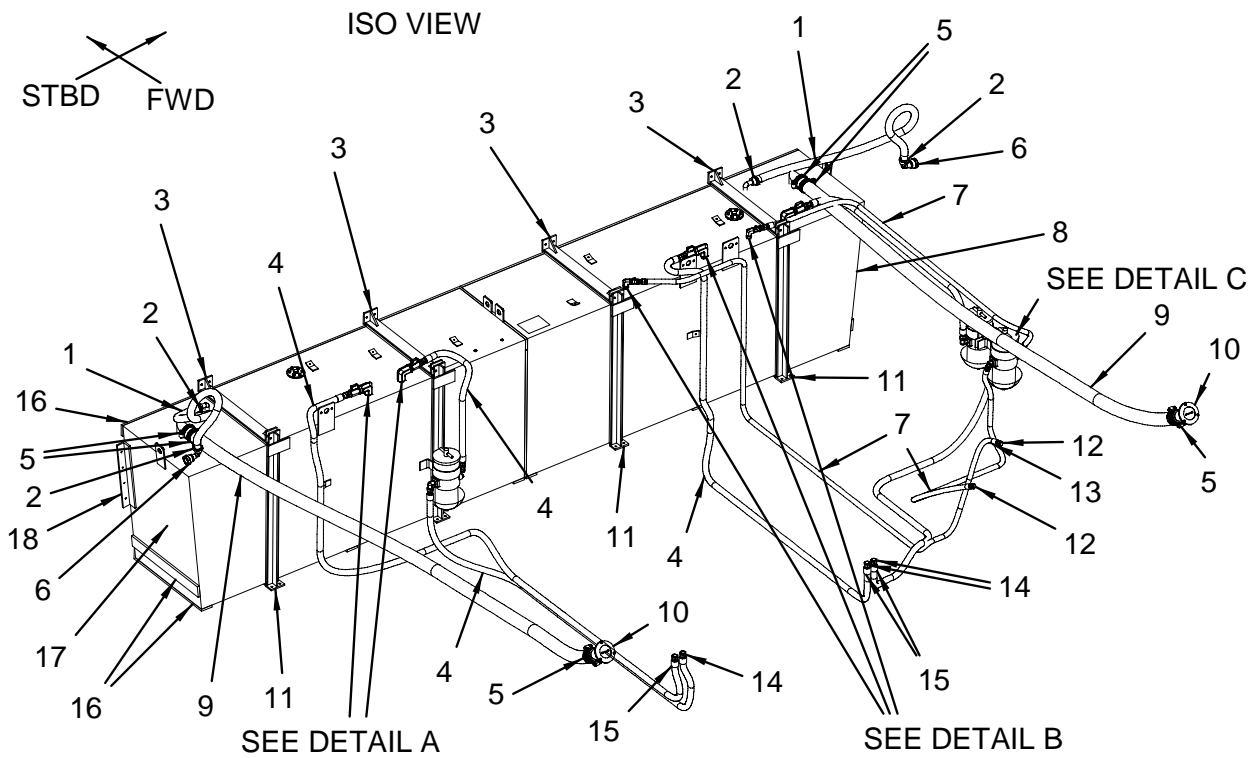


**FUEL SYSTEM (V-DRIVE) GAS**

- 1 1893392 TANK, FUEL 350DA-08 113GL GAS STB W/ULTSONC
- 1958982 SENDING UNIT, FUEL SENDER ULTSN GAS 24" 3WIRE  
(ORDER THIS PART IN PLACE OF 1952871)
- 1952871 SENDING UNIT, FUEL SENDER ULTSONC GAS STB  
(CANNOT GET, ORDER 1958982)
- 2 123778 HOSE, FUEL 5/8" TYPE A CLASS 1 ISO/CE
- 3 256677 CLAMP, HOSE #12 1/2"-1.25" SS .505
- 4 1433176 VENT, FUEL/WATER SS 5/8" 90DEG FLSH MNT
- 5 168955 ELBOW, BRASS 90DEG 1/4"MPT X 1/2"SAE
- 6 1884012 HOSE, FUEL 1/2" TYPE A CLASS 1-15 ISO/CE/CARB
- 7 1887695 FERRULE, FUEL LINE 1/2" .850"ID X .90"OD
- 8 1887748 FITTING, BRASS BARB/NUT 1/2" FEMALE SAE
- 9 169748 ELBOW, BRASS 90DEG 1/2"SAE X 3/8"MPT
- 10 169821 ADAPTER, BRASS 1/2"MPT X 1/2"SAE
- 11 1686552 ELBOW, SS 90DEG 1/2"MPT X 1/2"FPT
- 12 1791155 VALVE, BRASS FUEL SHUT-OFF 12V SER7000 10W
- 13 169920 ADAPTER, BRASS 1/4"MPT X 1/2"SAE
- 14 123745 HOSE, FUEL 1.5" TYPE A CLASS 2
- 15 256701 CLAMP, HOSE #28 1 5/16"-2.25"SS .505
- 16 1109313 DECK PLATE, GAS SS 1.5" RED CLR-CODE
- 522557 DECK PLATE, CAP W/CHAIN GAS/WATER  
(PART OF 1019313)
- 522599 KEY, DECK PLATE CAP  
(PART OF 1019313)
- 17 1893393 TANK, FUEL 350DA-08 113GL GAS PRT W/ULTSONC
- 1958982 SENDING UNIT, FUEL SENDER ULTSN GAS 24" 3WIRE  
(ORDER THIS PART IN PLACE OF 1952872)

- 17 1952872 SENDING UNIT, FUEL SENDER ULTSONC GAS PRT  
(CANNOT GET, ORDER 1958982)
- 18 1686595 BRACKET, 340DA-03 FUEL TANK AFT STRAP
- 1497452 TAPE, FOAM NEOPRENE W/3M 9828 3/8"TH X 2"W
- 19 147561 BUSHING, SS THD 1/4"FPT X 1/2"MPT
- 20 629253 ELBOW, BRASS 90DEG 1/4"SAE X 1/4"MPT
- 21 1887750 FITTING, BRASS BARB/NUT 1/4" FEMALE SAE
- 22 1887693 FERRULE, FUEL LINE 1/4" .575"ID X .625"OD
- 23 1686594 BRACKET, 340DA-03 FUEL TANK TOP STRAP
- 24 148171 FILTER, FUEL/WATER SEPARATOR KIT
- 25 162750 ADAPTER, BRASS 1/4"MPT X 1/4"SAE
- 26 140418 ELBOW, BRASS 90DEG STREET 1/4"
- 27 1884010 HOSE, FUEL 1/4" TYPE A CLASS 1-15 ISO/CE/CARB
- 28 1497452 TAPE, FOAM NEOPRENE W/3M 9828 3/8"TH X 2"W
- 29 836080 BRACKET, PVC 1.5"X 1.5"X 12" 1/4"HOLES

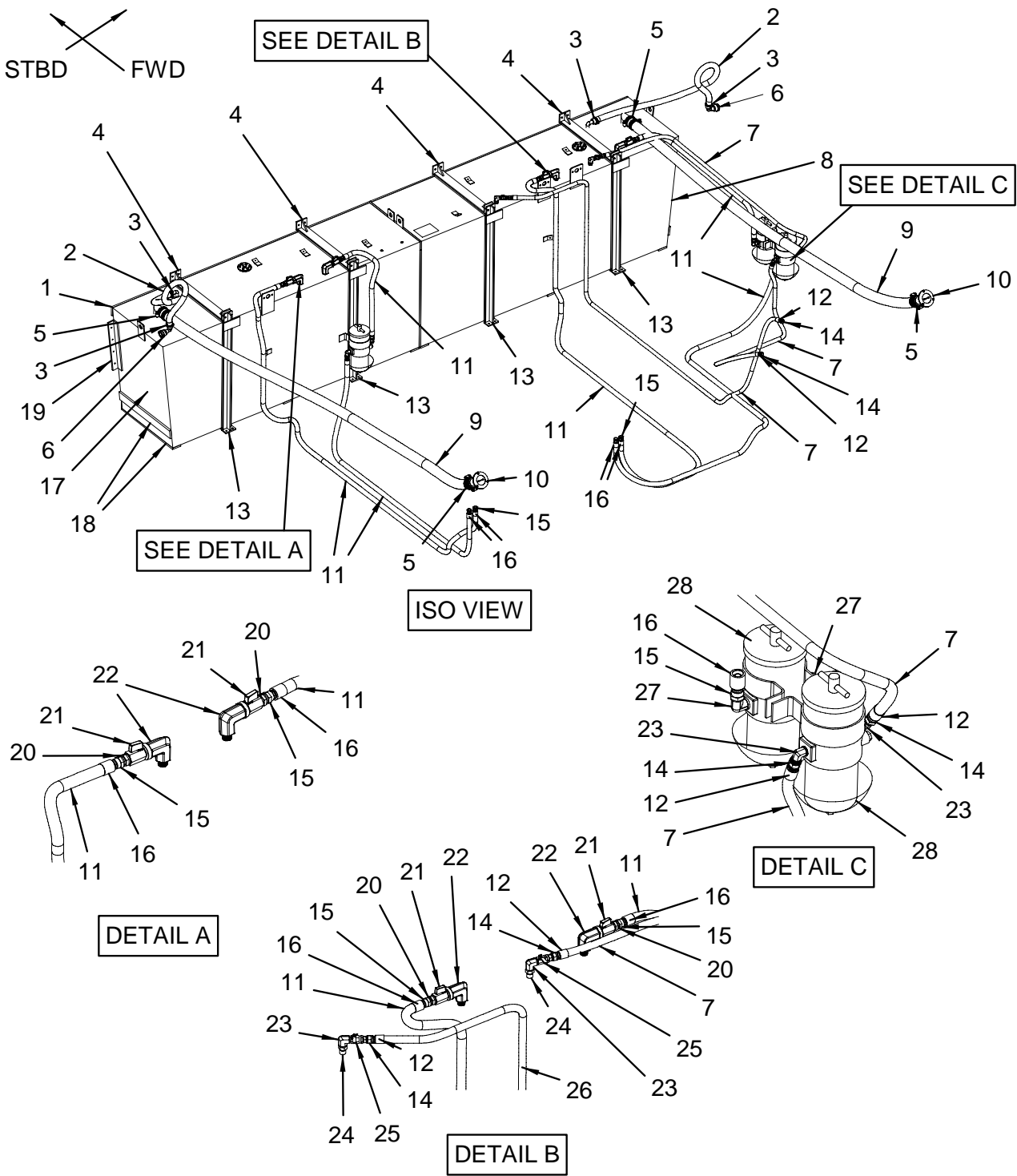
FUEL SYSTEM (STERN DRIVE) DIESEL



**FUEL SYSTEM (STERN DRIVE) DIESEL**

- 1 123778 HOSE, FUEL 5/8" TYPE A CLASS 1 ISO/CE
- 2 256677 CLAMP, HOSE #12 1/2"-1.25" SS .505
- 3 1686594 BRACKET, 340DA-03 FUEL TANK TOP STRAP
- 4 1884012 HOSE, FUEL 1/2" TYPE A CLASS 1-15 ISO/CE/CARB
- 5 256701 CLAMP, HOSE #28 1 5/16"-2.25"SS .505
- 6 1433176 VENT, FUEL/WATER SS 5/8" 90DEG FLSH MNT
- 7 1884010 HOSE, FUEL 1/4" TYPE A CLASS 1-15 ISO/CE/CARB
- 8 1901044 TANK, FUEL 350DA-08 113GL DSL STB W/ULTSONC
- 1952869 SENDING UNIT, FUEL SENDER ULTSONC DSL STB  
**(PART OF 1901044)**
- 9 123745 HOSE, FUEL 1.5" TYPE A CLASS 2
- 10 1109313 DECK PLATE, GAS SS 1.5" RED CLR-CODE
- 522557 DECK PLATE, CAP W/CHAIN GAS/WATER  
**(PART OF 1109313)**
- 522599 KEY, DECK PLATE CAP  
**(PART OF 1109313)**
- 11 1686595 BRACKET, 340DA-03 FUEL TANK AFT STRAP
- 12 1887750 FITTING, BRASS BARB/NUT 1/4" FEMALE SAE
- 13 1887693 FERRULE, FUEL LINE 1/4" .575"ID X .625"OD
- 14 1887748 FITTING, BRASS BARB/NUT 1/2" FEMALE SAE
- 15 1887695 FERRULE, FUEL LINE 1/2" .850"ID X .90"OD
- 16 1497452 TAPE, FOAM NEOPRENE W/3M 9828 3/8"TH X 2"W
- 17 1901043 TANK, FUEL 350DA-08 113GL DSL PRT W/ULTSONC
- 1952870 SENDING UNIT, FUEL SENDER ULTSONC DSL PRT  
**(PART OF 1901043)**
- 18 836080 BRACKET, PVC 1.5"X 1.5"X 12" 1/4"HOLES
- 19 169920 ADAPTER, BRASS 1/4"MPT X 1/2"SAE
- 20 1687213 VALVE, BRASS FUEL 1/2"MPT X 1/2"FPT
- 21 629253 ELBOW, BRASS 90DEG 1/4"SAE X 1/4"MPT
- 22 147561 BUSHING, SS THD 1/4"FPT X 1/2"MPT
- 23 1791155 VALVE, BRASS FUEL SHUT-OFF 12V SER7000 10W
- 24 162750 ADAPTER, BRASS 1/4"MPT X 1/4"SAE
- 25 148171 FILTER, FUEL/WATER SEPARATOR KIT

FUEL SYSTEM (V-DRIVE) DIESEL

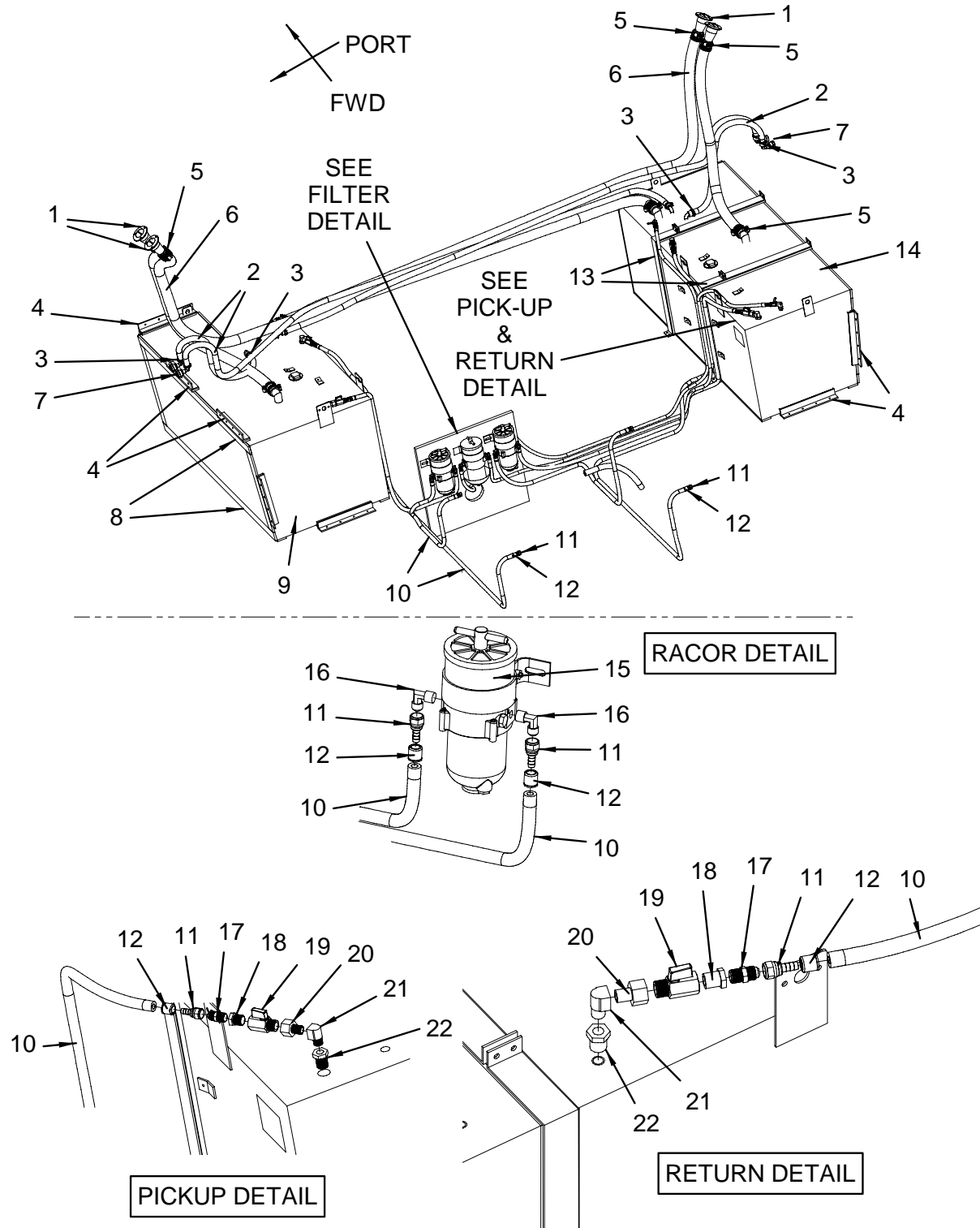




**FUEL SYSTEM (V-DRIVE) DIESEL**

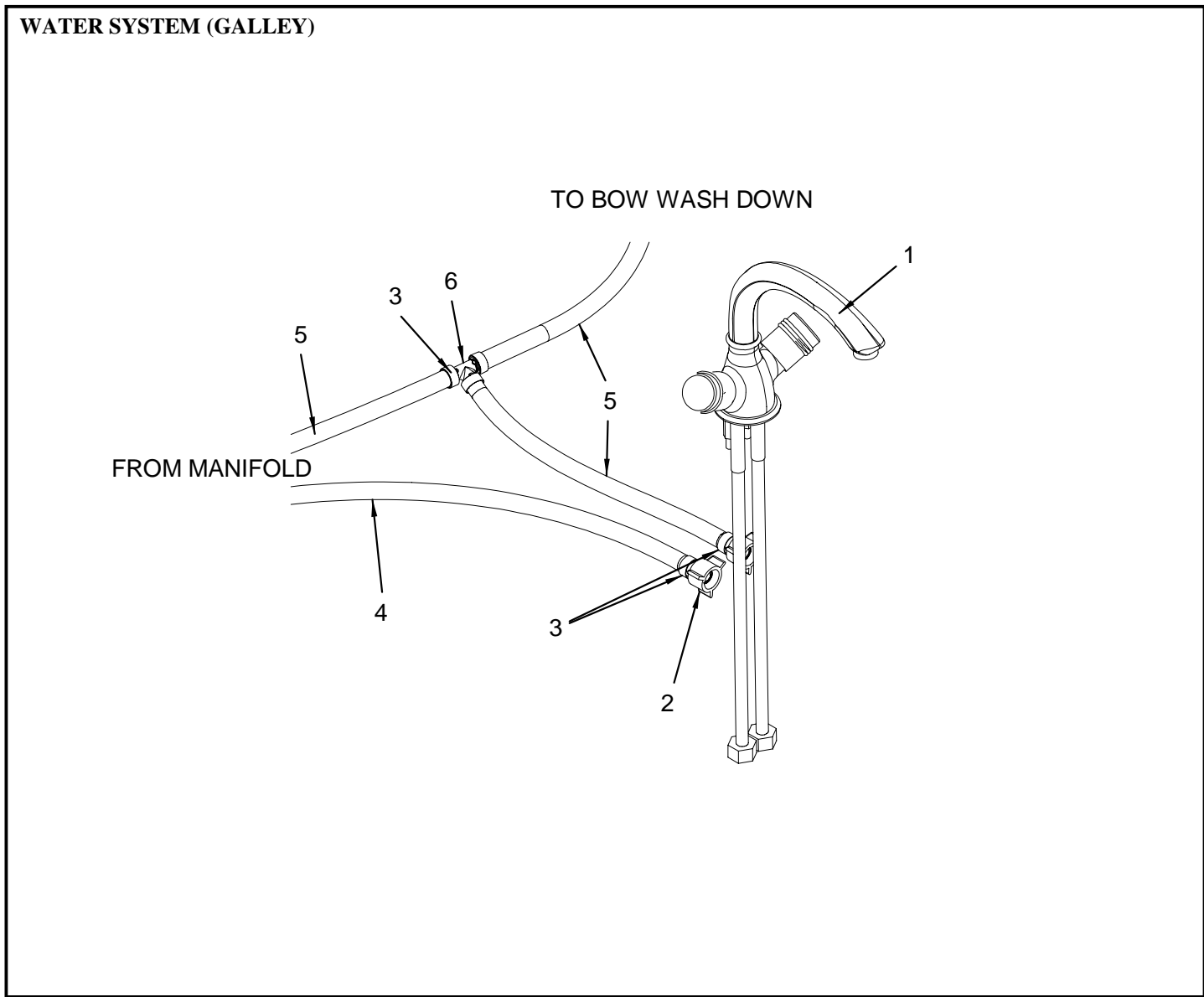
1	1497452	TAPE, FOAM NEOPRENE W/3M 9828 3/8"TH X 2"W
2	123778	HOSE, FUEL 5/8" TYPE A CLASS 1 ISO/CE
3	256677	CLAMP, HOSE #12 1/2"-1.25" SS .505
4	1686594	BRACKET, 340DA-03 FUEL TANK TOP STRAP
5	256701	CLAMP, HOSE #28 1 5/16"-2.25"SS .505
6	1433176	VENT, FUEL/WATER SS 5/8" 90DEG FLSH MNT
7	1884010	HOSE, FUEL 1/4" TYPE A CLASS 1-15 ISO/CE/CARB
8	1901044	TANK, FUEL 350DA-08 113GL DSL STB W/ULTSONC
	1952869	SENDING UNIT, FUEL SENDER ULTSONC DSL STB <b>(PART OF 1901044)</b>
9	123745	HOSE, FUEL 1.5" TYPE A CLASS 2
10	1109313	DECK PLATE, GAS SS 1.5" RED CLR-CODE
	522599	KEY, DECK PLATE CAP <b>(PART OF 1109313)</b>
	522557	DECK PLATE, CAP W/CHAIN GAS/WATER <b>(PART OF 1109313)</b>
11	1884012	HOSE, FUEL 1/2" TYPE A CLASS 1-15 ISO/CE/CARB
12	1887695	FERRULE, FUEL LINE 1/2" .850"ID X .90"OD
13	1686595	BRACKET, 340DA-03 FUEL TANK AFT STRAP
	1497452	TAPE, FOAM NEOPRENE W/3M 9828 3/8"TH X 2"W
14	170589	FITTING, BRASS 3/8"BARB/NUT
15	1887748	FITTING, BRASS BARB/NUT 1/2" FEMALE SAE
16	1887695	FERRULE, FUEL LINE 1/2" .850"ID X .90"OD
17	1901043	TANK, FUEL 350DA-08 113GL DSL PRT W/ULTSONC
	1952870	SENDING UNIT, FUEL SENDER ULTSONC DSL PRT <b>(PART OF 1901043)</b>
18	1497452	TAPE, FOAM NEOPRENE W/3M 9828 3/8"TH X 2"W
19	836080	BRACKET, PVC 1.5"X 1.5"X 12" 1/4"HOLES
20	169821	ADAPTER, BRASS 1/2"MPT X 1/2"SAE
21	1687213	VALVE, BRASS FUEL 1/2"MPT X 1/2"FPT
22	1686552	ELBOW, SS 90DEG 1/2"MPT X 1/2"FPT
23	1341957	ELBOW, BRASS 90DEG STREET 1/4"MPT X 1/4"FPT
24	791392	BUSHING, SS THD 1/4"FPT X 3/8"MPT
25	1764348	VALVE, BRASS FUEL 1/4"MPT X 1/4"FPT LO-PRO
26	1884010	HOSE, FUEL 1/4" TYPE A CLASS 1-15 ISO/CE/CARB
27	162750	ADAPTER, BRASS 1/4"MPT X 1/4"SAE
28	1524065	FILTER, REMOTE FUEL DSL (500MASR)

FUEL SYSTEM (DIESEL)



**FUEL SYSTEM (DIESEL)**

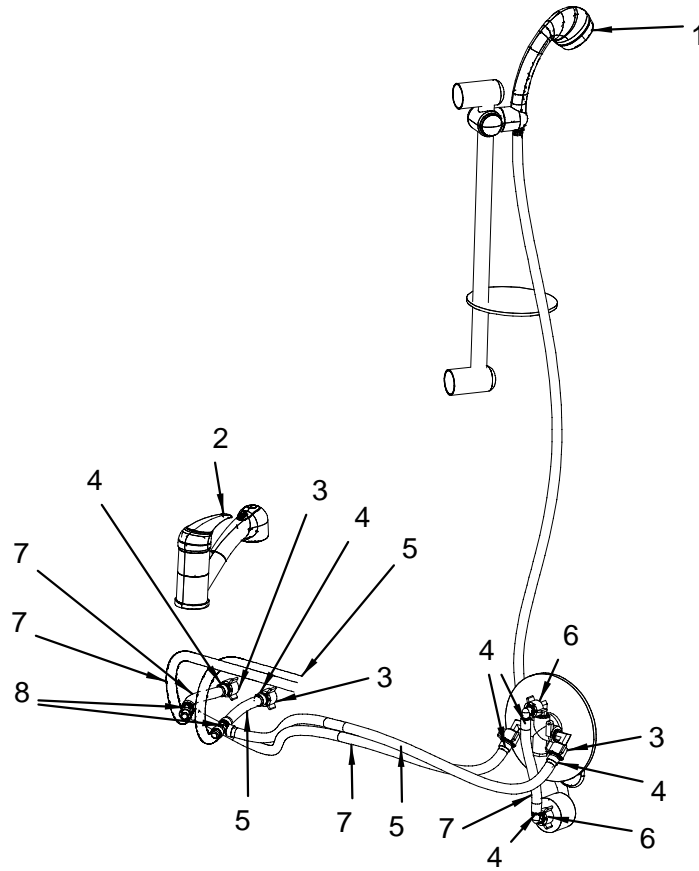
- 1 1184746 DECK PLATE, DSL SS 2"W/1.5"OUTLET GRN CLR-COD
- 522599 KEY, DECK PLATE CAP  
**(PART OF 1184746)**
- 2 123778 HOSE, FUEL 5/8" TYPE A CLASS 1 ISO/CE
- 3 256677 CLAMP, HOSE #12 1/2"-1.25" SS .505
- 4 836080 BRACKET, PVC 1.5"X 1.5"X 12" 1/4"HOLES
- 1497452 TAPE, FOAM NEOPRENE W/3M 9828 3/8"TH X 2"W
- 5 256701 CLAMP, HOSE #28 1 5/16"-2.25"SS .505
- 6 123745 HOSE, FUEL 1.5" TYPE A CLASS 2
- 7 1433176 VENT, FUEL/WATER SS 5/8" 90DEG FLSH MNT
- 8 1497452 TAPE, FOAM NEOPRENE W/3M 9828 3/8"TH X 2"W
- 9 1901043 TANK, FUEL 350DA-08 113GL DSL PRT W/ULTSONC
- 1952870 SENDING UNIT, FUEL SENDER ULTSONC DSL PRT  
**(PART OF 1901043)**
- 10 1884011 HOSE, FUEL 3/8" TYPE A CLASS 1-15 ISO/CE/CARB
- 11 1887748 FITTING, BRASS BARB/NUT 1/2" FEMALE SAE
- 12 1887695 FERRULE, FUEL LINE 1/2" .850"ID X .90"OD
- 13 1686594 BRACKET, 340DA-03 FUEL TANK TOP STRAP
- 1686595 BRACKET, 340DA-03 FUEL TANK AFT STRAP
- 14 1901044 TANK, FUEL 350DA-08 113GL DSL STB W/ULTSONC
- 1952869 SENDING UNIT, FUEL SENDER ULTSONC DSL STB  
**(PART OF 1901044)**
- 15 1524065 FILTER, REMOTE FUEL DSL (500MASR)
- 16 169748 ELBOW, BRASS 90DEG 1/2"SAE X 3/8"MPT
- 17 169524 ADAPTER, BRASS 3/8"MPT X 3/8"SAE
- 18 171348 BUSHING, BRASS 3/8"FPT X 1/2"MPT
- 19 1687213 VALVE, BRASS FUEL 1/2"MPT X 1/2"FPT
- 20 169821 ADAPTER, BRASS 1/2"MPT X 1/2"SAE
- 21 140426 ELBOW, BRASS 90DEG STREET 3/8"
- 22 791392 BUSHING, SS THD 1/4"FPT X 3/8"MPT



**WATER SYSTEM (GALLEY)**

- 1 1895055 FAUCET, GLY SNGL LVR 7.2"RISE BR/NI PULLOUT
- 2 1789686 ADAPTER, ZURN STRAIGHT 1/2" SWIVEL
- 3 1789718 CLAMP, ZURN CRIMP RING 1/2"
- 4 1789751 TUBING, ZURN 1/2"X 1000' RED
- 5 1789735 TUBING, ZURN 1/2"X 1000' BLUE
- 6 1789706 TEE, ZURN 1/2" BARB

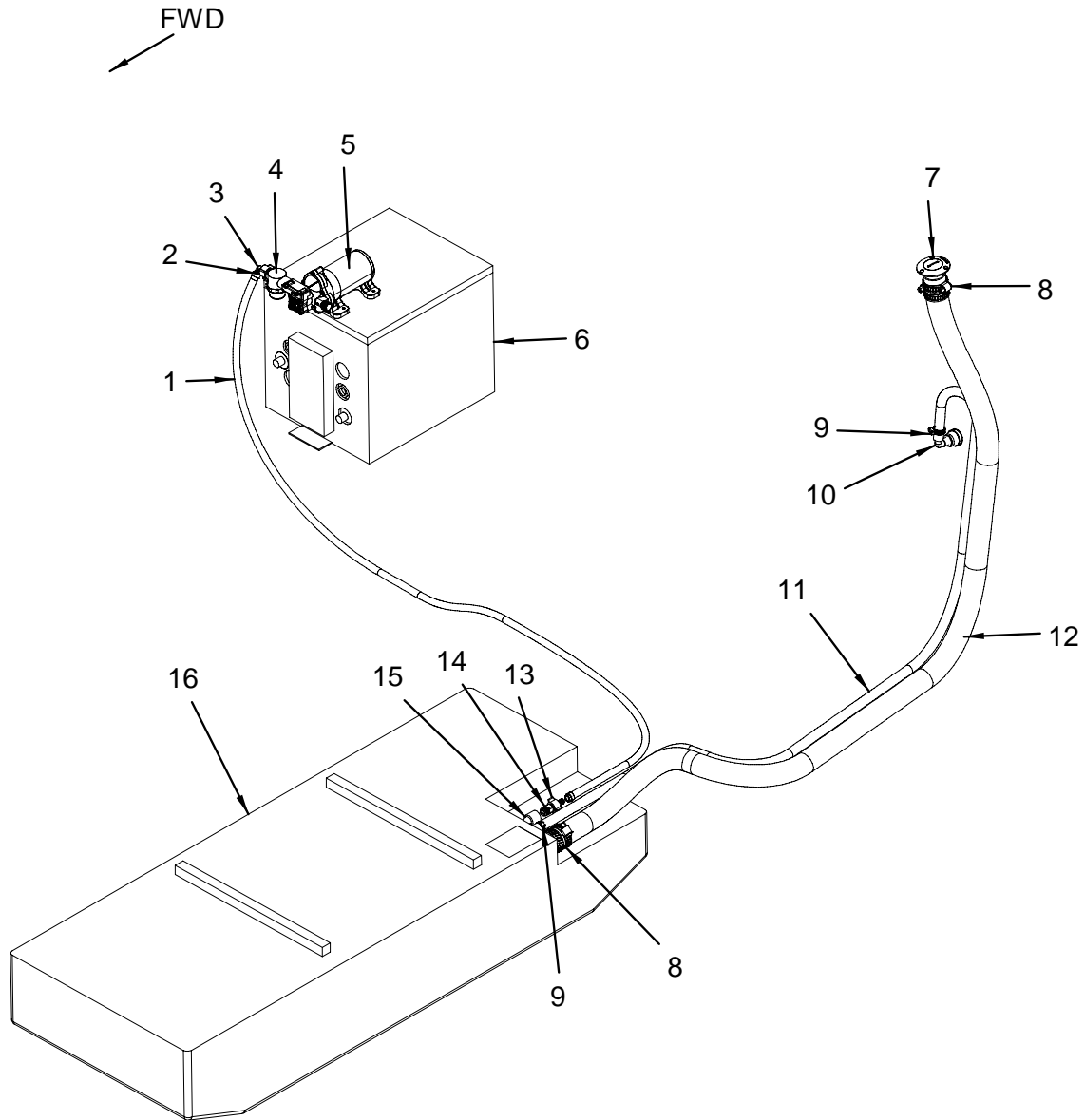
**WATER SYSTEM (PORT HEAD)**



**WATER SYSTEM (PORT HEAD)**

- 1 1907844 SHOWER ASSY, HEAD/18"BAR/DSH/LVRHNDL BRNCKL
- 1902871 PLATE, PLEX CRUSR SHWR MXR ACCESS PRL TEARDRP
- 1874434 ELBOW, ZURN 1/2"MPT BRASS
- 2 1908681 FAUCET, HEAD SML SNGL LVR 5.5"RISE BRSHD NCKL
- 3 1789686 ADAPTER, ZURN STRAIGHT 1/2" SWIVEL
- 4 1789718 CLAMP, ZURN CRIMP RING 1/2"
- 5 1789751 TUBING, ZURN 1/2"X 1000' RED
- 6 1789708 ELBOW, ZURN 1/2" SWIVEL
- 7 1789735 TUBING, ZURN 1/2"X 1000' BLUE
- 8 1789706 TEE, ZURN 1/2" BARB

WATER SYSTEM (BILGE)



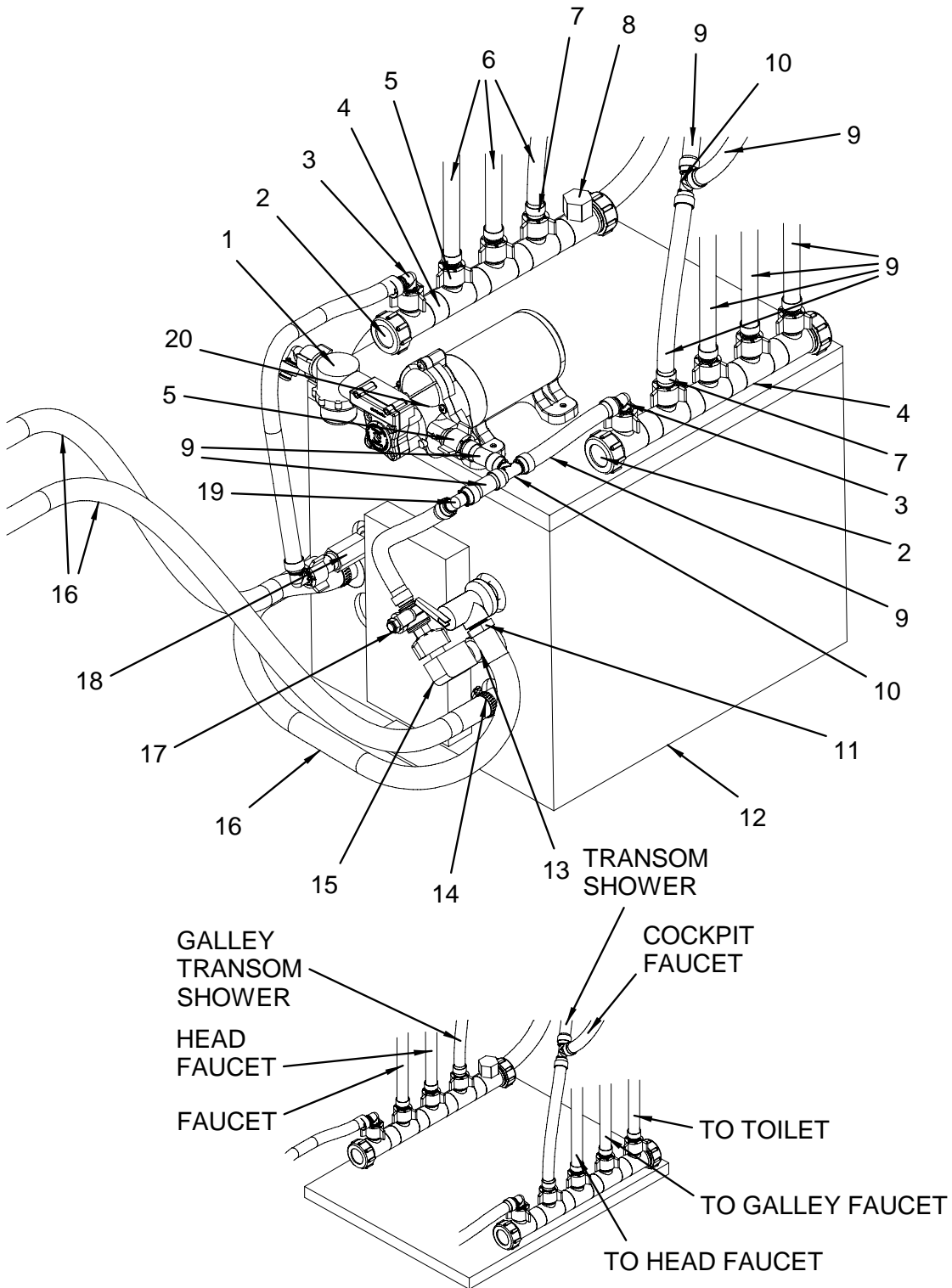
**WATER SYSTEM (BILGE)**

- 1 1789735 TUBING, ZURN 1/2"X 1000' BLUE
- 2 1789718 CLAMP, ZURN CRIMP RING 1/2"
- 3 1789708 ELBOW, ZURN 1/2" SWIVEL
- 4 1797944 FILTER, IN-LINE WATER 1/2"MPSM X 1/2"NPSF
- 5 1939163 PUMP, FRESHWATER 3.5GPM BLASTER 12V W/CONN
- 6 1142496 HEATER, WATER 6 GAL 110/60 W/75-210T&P
- 1952095 HEATER, WATER THERMOSTAT F/1142496  
(PART OF 1142496)
- 1790450 ELEMENT, HEATER WTR 110/60 W/75-210  
(PART OF 1142496)
- 1156728 HEATER, WATER 6 GAL 220/50 W/75-210T&P  
(220 VOLT / 50 CYCLE ELECTRICAL SYSTEM)
- 1754598 HEATER, WATER ELEMENT FOR 6 GAL 220V  
(PART OF 1156728)
- 1146877 VALVE, TEMPERING 75PSI/210DEG  
(PART OF 1142496 & 1156728)
- 7 1109321 DECK PLATE, WATER SS BLUE CLR-CODE
- 8 256693 CLAMP, HOSE #24 1"-2" SS .505
- 9 256677 CLAMP, HOSE #12 1/2"-1.25" SS .505
- 10 1433176 VENT, FUEL/WATER SS 5/8" 90DEG FLSH MNT
- 11 124719 HOSE, SANI/CHEMICAL TDX 5/8"
- 12 490219 HOSE, CORR SAN/WATER-FILL 1.5" RH
- 13 1789686 ADAPTER, ZURN STRAIGHT 1/2" SWIVEL
- 14 1789748 NIPPLE, ZURN 1/2" CLOSE GRY
- 15 1127935 TUBE, PICK-UP WATER 8" 330DA 98
- 16 1893394 TANK, WATER - 50GAL 58"X 22.5"X 11.25"W/SNDR
- 1717412 SENDING UNIT, WATER 1/4"NPT X 6 3/4"
- 1744830 ADAPTER, STRT RED BRSS 3/4"MPT X 5/8"BARB

**NOT SHOWN**

- 1497452 TAPE, FOAM NEOPRENE W/3M 9828 3/8"TH X 2"W
- 468934 TAPE, VAC PAK WHT (4"X 36YDS) PRESERVATION
- 141713 ADAPTER, BRASS 3/8"MPT X 5/8"BARB
- 1789754 ADAPTER, ZURN 1/2" MALE

WATER SYSTEM (WATER HEATER)





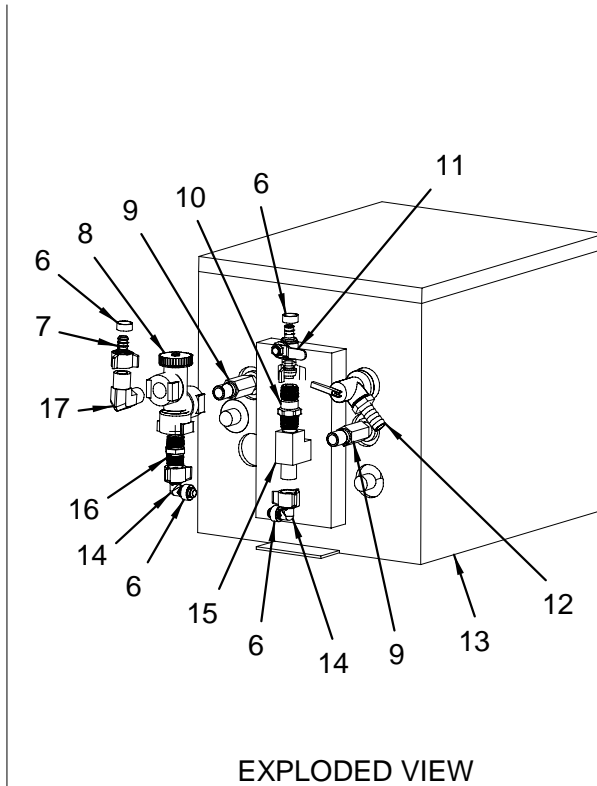
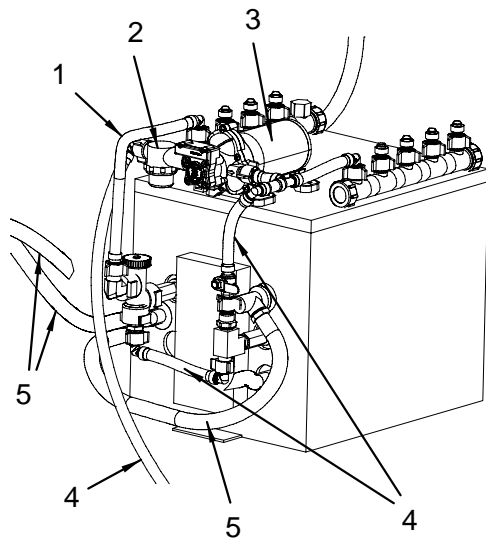
**WATER SYSTEM (WATER HEATER)**

- 1 1797944 FILTER, IN-LINE WATER 1/2"MPSP X 1/2"NPSF
- 2 1802624 FITTING, ZURN BRASS 1"MNFLD END STOP
- 3 1789708 ELBOW, ZURN 1/2" SWIVEL
- 4 1792205 MANIFOLD, ZURN SNGL SIDE W/5 PRT
- 1802628 BRACKET, PLAS ZURN SNGL MANIFOLD MNT
- 5 1789686 ADAPTER, ZURN STRAIGHT 1/2" SWIVEL
- 6 1789751 TUBING, ZURN 1/2"X 1000' RED
- 7 1789718 CLAMP, ZURN CRIMP RING 1/2"
- 8 1802637 CAP, ZURN 1/2" MANIFOLD
- 9 1789735 TUBING, ZURN 1/2"X 1000' BLUE
- 10 1789706 TEE, ZURN 1/2" BARB
- 11 144675 ADAPTER, BRASS 1/2"MPT X 5/8"BARB
- 12 1142496 HEATER, WATER 6 GAL 110/60 W/75-210T&P
- 1952095 HEATER, WATER THERMOSTAT F/1142496  
(PART OF 1142496)
- 1790450 ELEMENT, HEATER WTR 110/60 W/75-210  
(PART OF 1142496)
- 1156728 HEATER, WATER 6 GAL 220/50 W/75-210T&P  
(220 VOLT / 50 CYCLE ELECTRICAL SYSTEM)
- 1754598 HEATER, WATER ELEMENT FOR 6 GAL 220V  
(PART OF 1156728)
- 1146877 VALVE, TEMPERING 75PSI/210DEG  
(PART OF 1142496 & 1156728)
- 13 1791673 VALVE, ZURN 1/2" MPT X 1/2" MPT CHECKVALVE
- 14 256677 CLAMP, HOSE #12 1/2"-1.25" SS .505
- 15 169086 ELBOW, BRASS 90DEG STREET 1/2"
- 16 124594 HOSE, WATER 5/8" HVY DTY (HEATER)
- 17 1802638 VALVE, ZURN 1/2" MANIFOLD BALL VALVE
- 18 168898 NIPPLE, BRASS 1/2"MPT X 3.5"
- 19 1789703 ELBOW, ZURN 1/2" BARB
- 20 1939163 PUMP, FRESHWATER 3.5GPM BLASTER 12V W/CONN

**THRU- HULLS**

- 1778933 THRU-HULL, SS 5/8"BARB SHORT

**WATER HEATER (CLOSED COOLING SYSTEM)**

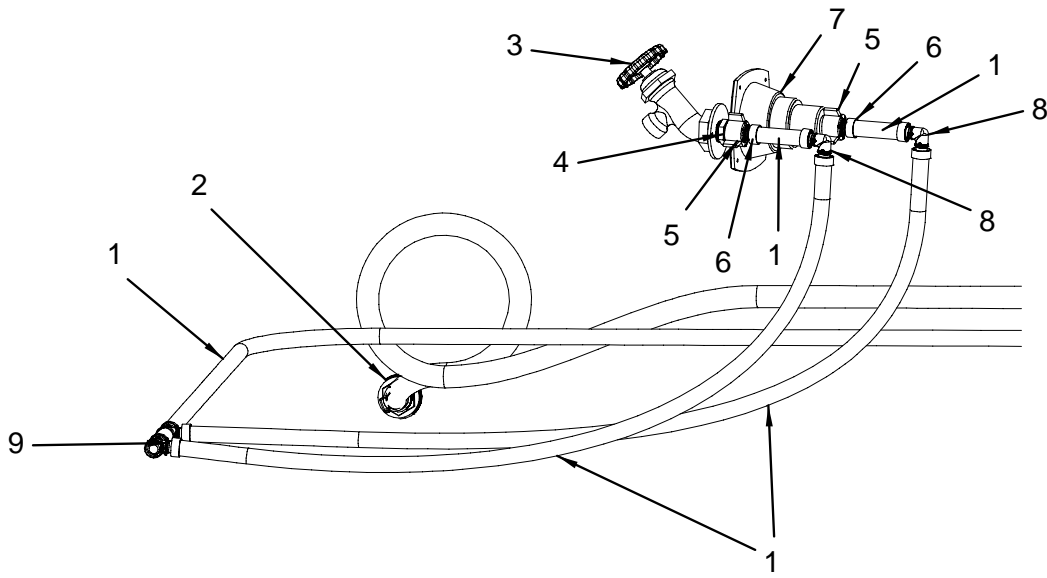


EXPLODED VIEW

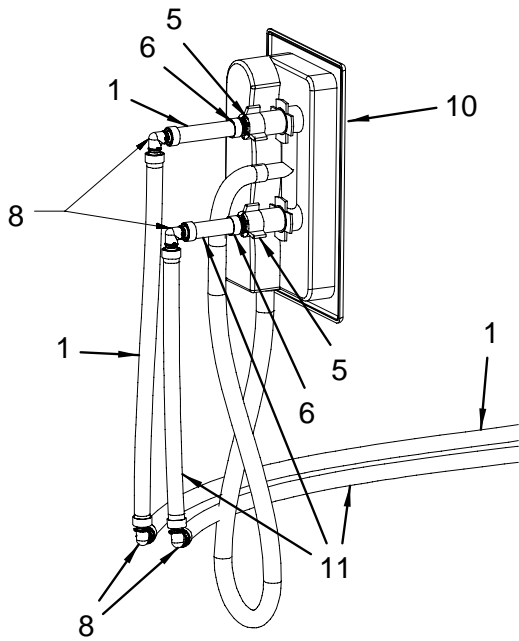
**WATER HEATER (CLOSED COOLING SYSTEM)**

- 1 1789751 TUBING, ZURN 1/2"X 1000' RED
- 2 1797944 FILTER, IN-LINE WATER 1/2"MPSM X 1/2"NPSF
- 3 1939163 PUMP, FRESHWATER 3.5GPM BLASTER 12V W/CONN
- 4 1789735 TUBING, ZURN 1/2"X 1000' BLUE
- 5 124594 HOSE, WATER 5/8" HVY DTY (HEATER)
- 6 1789718 CLAMP, ZURN CRIMP RING 1/2"
- 7 1789686 ADAPTER, ZURN STRAIGHT 1/2" SWIVEL
- 8 1054766 VALVE, BRASS WATER HEATER TEMPERING 120-160DG
- 9 1425156 NIPPLE, SEAFLEX BRS 1/2"MPT LONG
- 10 1791673 VALVE, ZURN 1/2" MPT X 1/2" MPT CHECKVALVE
- 11 1802638 VALVE, ZURN 1/2" MANIFOLD BALL VALVE
- 12 144675 ADAPTER, BRASS 1/2"MPT X 5/8"BARB
- 13 1142496 HEATER, WATER 6 GAL 110/60 W/75-210T&P
- 1146877 VALVE, TEMPERING 75PSI/210DEG  
(PART OF 1142496)
- 1790450 ELEMENT, HEATER WTR 110/60 W/75-210  
(PART OF 1142496)
- 1952095 HEATER, WATER THERMOSTAT F/1142496  
(PART OF 1142496)
- 14 1789708 ELBOW, ZURN 1/2" SWIVEL
- 15 325944 TEE, BRASS STREET 1/2"MPT X 1/2"FPT X 1/2"FPT
- 16 1791378 NIPPLE, ZURN 1/2" BRASS HEX
- 17 1376037 ELBOW, BRASS 90DEG 1/2"MPT X 1/2"MPT

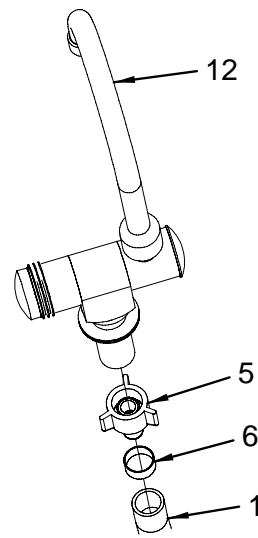
WATER SYSTEM (COCKPIT)



TRANSOM WATER & HEATER VENT



TRANSOM SHOWER



WET BAR

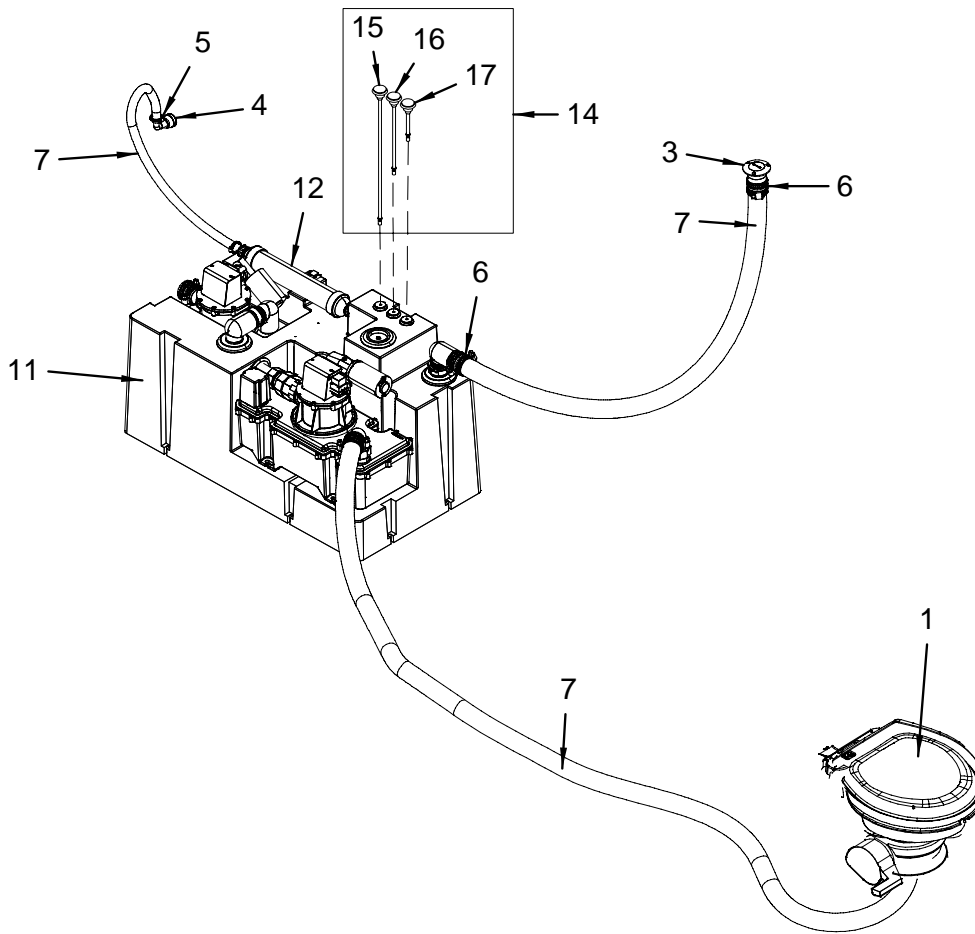
**WATER SYSTEM (COCKPIT)**

- 1 1789735 TUBING, ZURN 1/2"X 1000' BLUE
- 2 1778933 THRU-HULL, SS 5/8"BARB SHORT
- 3 1096262 FAUCET, SILLCOCK WASHDOWN (WHITECAP)
- 4 1791378 NIPPLE, ZURN 1/2" BRASS HEX
- 5 1789686 ADAPTER, ZURN STRAIGHT 1/2" SWIVEL
- 6 1789718 CLAMP, ZURN CRIMP RING 1/2"  
1904417 HAND TOOL, RATCHET CRIMP 1/2"ZURN
- 7 141168 INLET, WATER W/PRESS REGULATOR WHT
- 8 1789703 ELBOW, ZURN 1/2" BARB
- 9 1789706 TEE, ZURN 1/2" BARB
- 10 736702 FAUCET, WASHDOWN BOX W/MIXER (AQUATIK) VERT  
1298710 FAUCET, CARTRIDGE CERAMIC 90DEG LH  
(PART OF 736702)
- 1302504 FAUCET, CARTRIDGE CERAMIC 90DEG RH  
(PART OF 736702)
- 1302603 FAUCET, WASHDOWN SPRAYER HEAD ONLY(AQUATIK)  
(PART OF 736702)
- 1848792 FAUCET, WASHDOWN RUBBER SHOWERHEAD HLDR  
(PART OF 736702)
- 1302587 FAUCET, WASHDOWN DOOR ONLY (AQUATIK)  
(PART OF 736702)
- 1742646 LATCH, WASHDOWN DOOR (AQUATIK)  
(PART OF 736702)
- 1302579 FAUCET, WASHDOWN SHOWER UNIT ONLY (AQUATIK)  
(PART OF 736702)
- 1302595 FAUCET, WASHDOWN HOSE W/FPT ONLY(AQUATIK)  
(PART OF 736702)
- 11 1789751 TUBING, ZURN 1/2"X 1000' RED
- 12 1775010 FAUCET, FOLD DOWN SGL TAP CHR

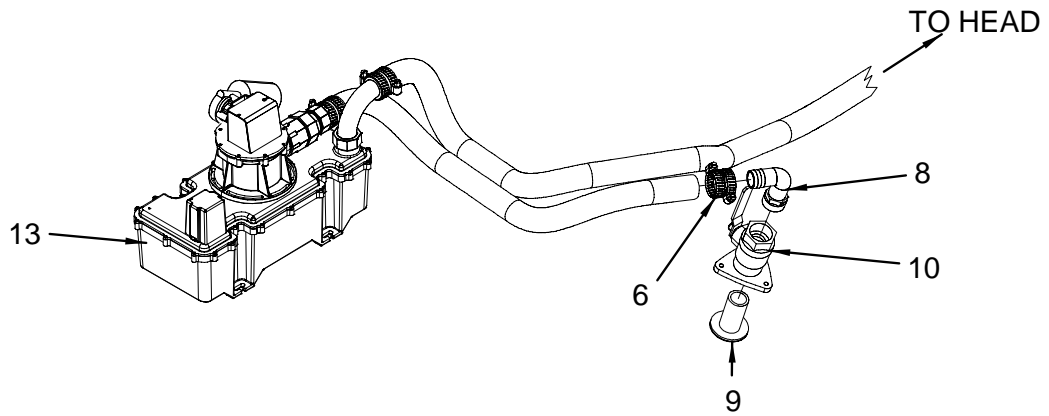
**NOT SHOWN**

- 772533 BOX, R/C 330DA-95 SHOWER CABINET

SEWAGE SYSTEM



DIRECT OVERBOARD DISCHARGE



**SEWAGE SYSTEM**

- 1 1846853 HEAD, VACU-FLUSH BONE 5006 BTM DCHG LOW PRFLE
- 2 123604 CLAMP, LOOM VINYL DIP 2.5"
- 3 1752438 DECK PLATE, WASTE SS BLK CLR-CODE W/INT SYMBL  
522599 KEY, DECK PLATE CAP
- 4 1433176 VENT, FUEL/WATER SS 5/8" 90DEG FLSH MNT
- 5 256677 CLAMP, HOSE #12 1/2"-1.25" SS .505
- 6 256693 CLAMP, HOSE #24 1"-2" SS .505
- 7 124719 HOSE, SANI/CHEMICAL TDX 5/8"  
846899 HOSE, SANI 1.5" PREMIUM RBR BLK
- 8 531566 ELBOW, BRZ 90DEG 1.5"MPT X 1.5"BARB
- 9 579870 THRU-HULL, BRZ 1.5" W/O NUT
- 10 518456 SEACOCK, BRZ 1.5" W/O TAILPIECE  
1302116 SWITCH, SEACOCK INTERLOCK W/60" LEADS/CONN
- 11 1761960 TANK, HOLDING 28 GAL HTS W/VAC GEN W/CONN  
1760159 TANK, HOLDING 28 GAL HTS W/VAC GEN/12V T-PMP  
**MACERATOR OPTION**
- 1798723 VACUUM GEN, HEAD SYS PMP/ACUM LOPRO 12V W/CON  
**(VACUUM FLUSH HEAD W/ DIRECT OVER BOARD INTL)**
- 12 134759 FILTER, HEAD TREATMENT SYSTEM
- 13 134858 PUMP, HEAD SYS MACERATOR
- 14 1835677 SENDING UNIT, HOLD TANK 28 GAL HTS W/VAC GEN  
**(PART OF 1761960 & 1760159)**
- 15 1852581 SENDING UNIT, HOLD TANK EMPTY LEVEL INDICATOR  
**(PART OF 1835677)**
- 16 1852580 SENDING UNIT, HOLD TANK MID LEVEL INDICATOR
- 17 1852579 SENDING UNIT, HOLD TANK FULL LEVEL INDICATOR

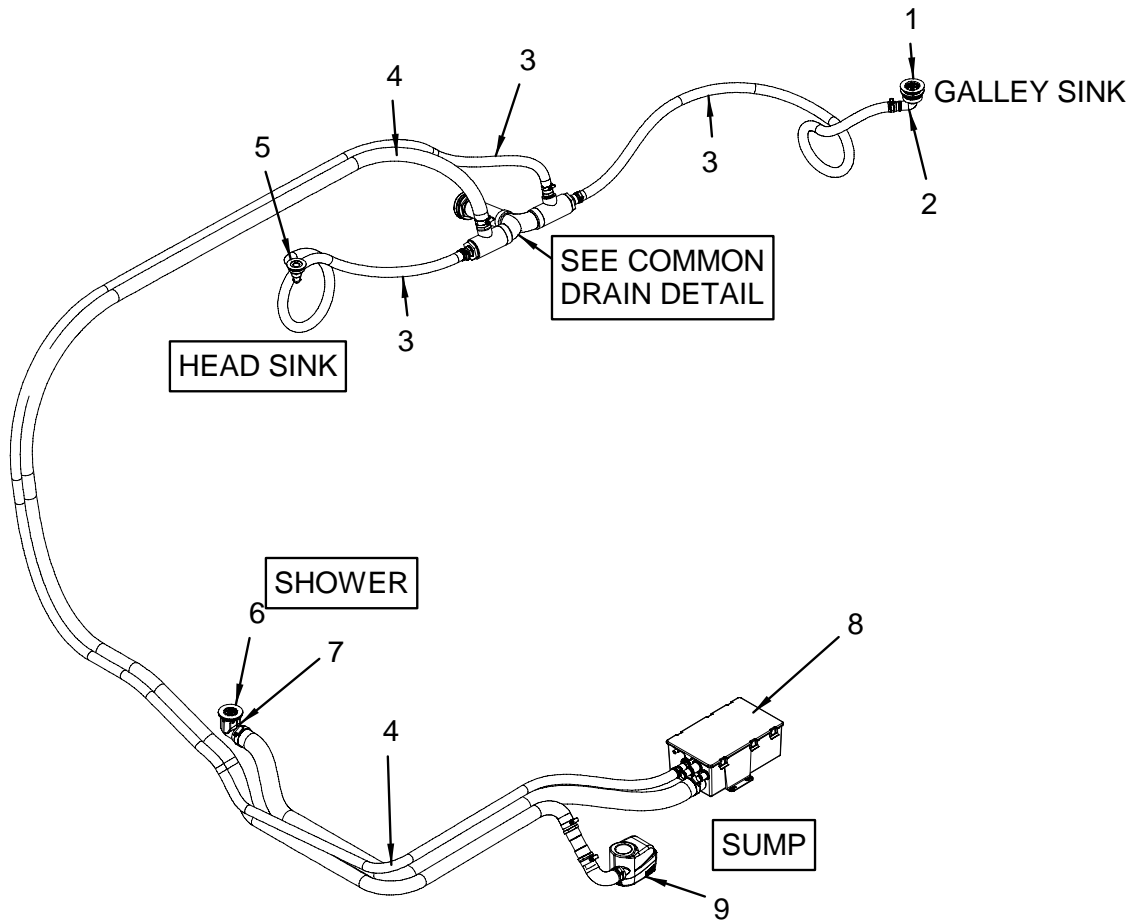
**NOT SHOWN**

- 1413616 TANK, HOLDING NEW OWNERS GIFT PACK
- 1752438 DECK PLATE, WASTE SS BLK CLR-CODE W/INT SYMBL

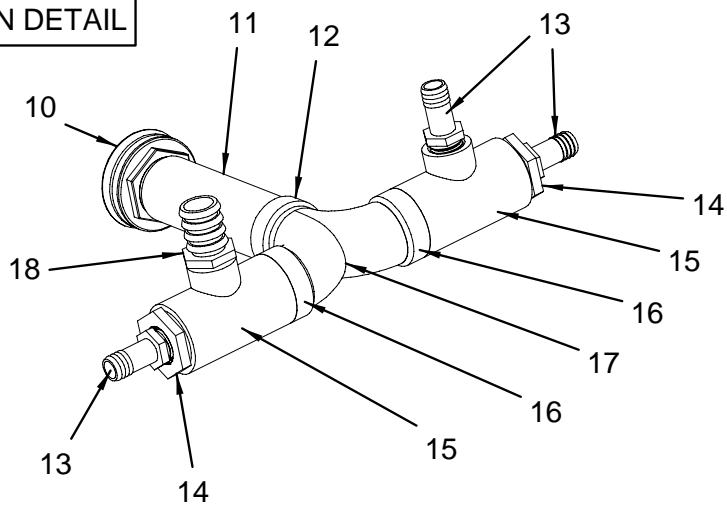
**SPLIT CONDUIT**

- 1502202 HOSE, CONDUIT/SPLIT 2" FLAME RETARDANT

DRAINAGE (FORWARD)



COMMON DRAIN DETAIL



**DRAINAGE (FORWARD)**

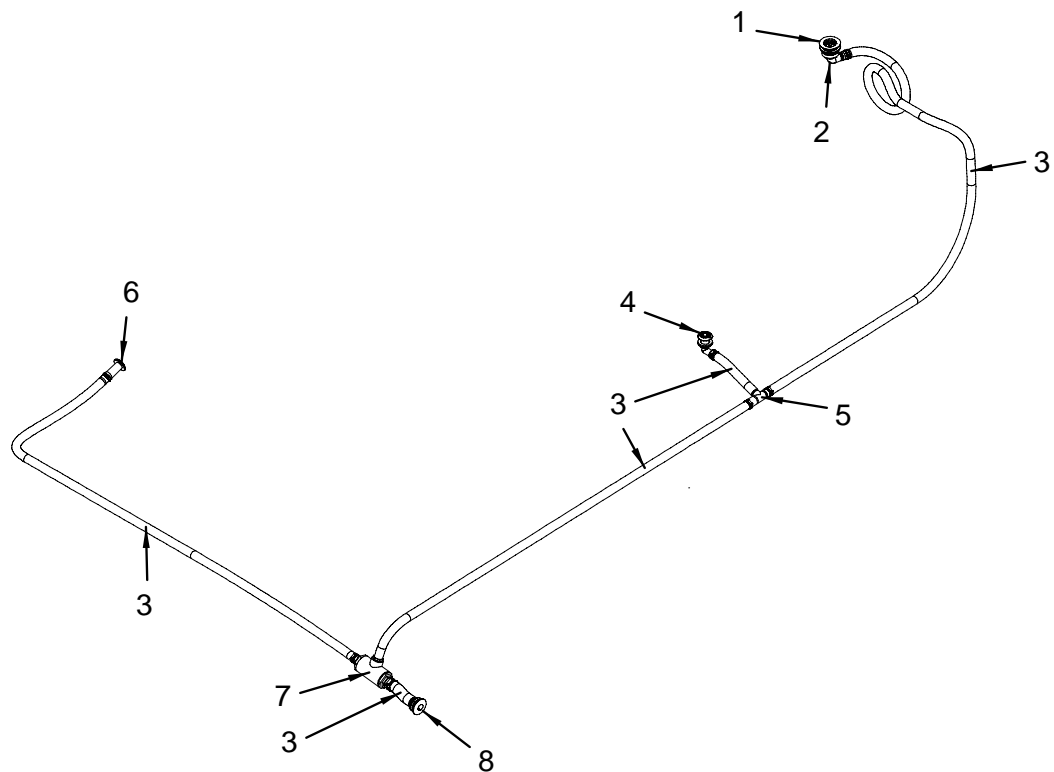
1	175687	DRAIN, SINK STRAINER 2.5" SS W/5/8"BARB
2	408724	ELBOW, PVC 1.5"FLANGE X 3/4"BARB X 90DEG
	256677	CLAMP, HOSE #12 1/2"-1.25" SS .505
3	123877	HOSE, CORR SAN/WATER-FILL 3/4"
4	1042076	HOSE, WATER 1 1/8" BLK
5	583427	DRAIN, W/PLUG 100DEG 3/4"BARB CHR
	256677	CLAMP, HOSE #12 1/2"-1.25" SS .505
6	196782	DRAIN ASSY, SHOWER 1.5"
7	814822	ELBOW, PVC 1.5"FPT X 1.5"BARB X 90DEG MACHINE
	490219	HOSE, CORR SAN/WATER-FILL 1.5" RH
8	1792643	SHOWER, SUMP ASSY MULTI-PORT 750GPH 12V W/CON
	1959104	SHOWER, SUMP ASSY PUMP/FLOAT SW COMBO SAHARA
9	1852097	PUMP, BILGE 1100GPH SAHARA W/SWITCH
10	1778928	THRU-HULL, SS 1.5"BARB SHORT
11	846899	HOSE, SANI 1.5" PREMIUM RBR BLK
12	184101	ADAPTER, PVC 1.5"OD X 1.5"ID SLIP
13	484550	ADAPTER, PVC 1"MPT X 3/4"BARB
14	1451558	BUSHING, PVC 1.5"M SLIP X 3/4"FPT
15	686725	TEE, PVC 1.5"FM SLIP X 1.5"FM SLIP X 1"FPT
16	149757	PIPE, PVC SCH 40 BOE PIPE 1.5"
17	932780	TEE, PVC 1.5"FM SLIP DBL SWEEP
18	1742987	ADAPTER, PVC 1"MPT X 1 1/8"BARB
	256685	CLAMP, HOSE #16 3/4"-1.5" SS .505

**NOT SHOWN**

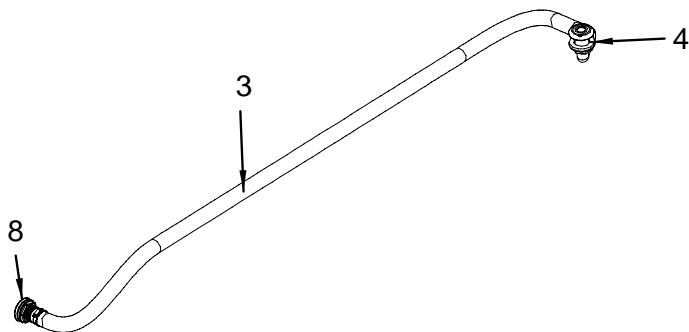
	266130	DRAIN, LINER W/90 DEG ELBOW 1" PLASTIC
	914978	ELBOW, PVC 3/4"MPT X 3/4"BARB 90DEG



DRAINAGE SYSTEM (COCKPIT)

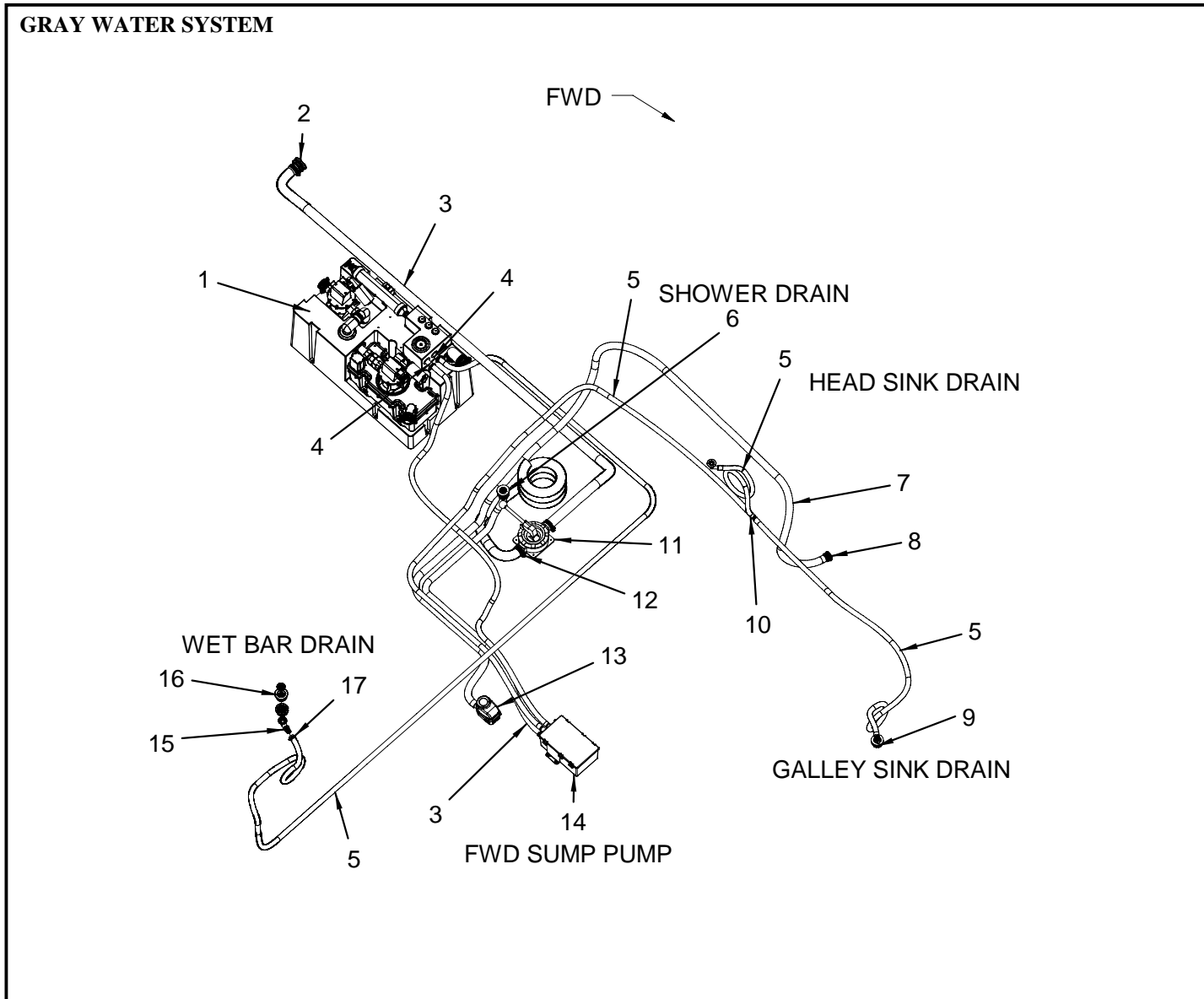


PORT STORAGE TUB



**DRAINAGE SYSTEM (COCKPIT)**

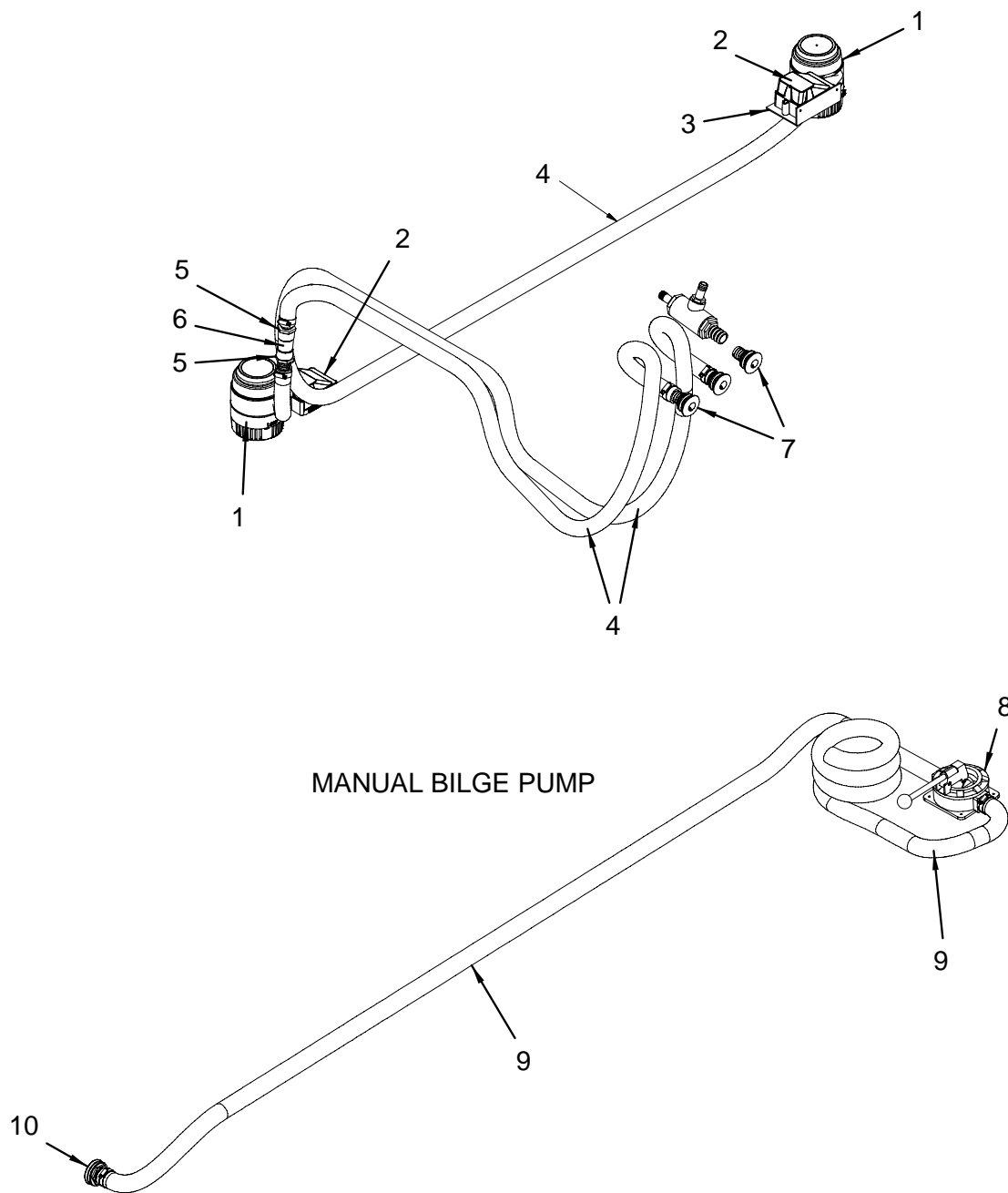
1	175687	DRAIN, SINK STRAINER 2.5" SS W/5/8"BARB
2	408724	ELBOW, PVC 1.5"FLANGE X 3/4"BARB X 90DEG
3	123877	HOSE, CORR SAN/WATER-FILL 3/4"
4	674143	THRU-HULL, PLAS 3/4"X 90DEG WHT
5	1882428	TEE, POLY 3/4"BARB X 3/4"BARB X 3/4"BARB
6	182964	THRU-HULL, PLAS 3/4" WHT
7	686725	TEE, PVC 1.5"FM SLIP X 1.5"FM SLIP X 1" FPT
8	1778929	THRU-HULL, SS 3/4"BARB SHORT



**GRAY WATER SYSTEM**

- 1 1760159 TANK, HOLDING 28 GAL HTS W/VAC GEN/12V T-PMP
- 2 256693 CLAMP, HOSE #24 1"-2" SS .505
- 1778928 THRU-HULL, SS 1.5" BARB SHORT
- 3 490219 HOSE, CORR SAN/WATER-FILL 1.5" RH
- 4 182964 THRU-HULL, PLAS 3/4" WHT
- 5 123877 HOSE, CORR SAN/WATER-FILL 3/4"
- 6 196782 DRAIN ASSY, SHOWER 1.5"
- 7 1042076 HOSE, WATER 1 1/8" BLK
- 8 1778931 THRU-HULL, SS 1 1/8" BARB SHORT
- 9 175687 DRAIN, SINK STRAINER 2.5" SS W/5/8" BARB
- 10 1882428 TEE, POLY 3/4" BARB X 3/4" BARB X 3/4" BARB
- 11 529016 PUMP, BILGE 16GPM MANUAL TWO POS
- 12 256693 CLAMP, HOSE #24 1"-2" SS .505
- 13 1794015 SWITCH, FLOAT ATTWOOD W/CVR W/CONN
- 14 1792643 SHOWER, SUMP ASSY MULTI-PORT 750GPH 12V W/CON
- 1959104 SHOWER, SUMP ASSY PUMP/FLOAT SW COMBO SAHARA
- 15 408724 ELBOW, PVC 1.5" FLANGE X 3/4" BARB X 90DEG
- 16 175687 DRAIN, SINK STRAINER 2.5" SS W/5/8" BARB
- 344762 DRAIN ASSY, SHOWER SLIP NUT 1.5"
- 344721 DRAIN ASSY, GASKET SHOWER SLIP NUT 1.5"
- 17 256677 CLAMP, HOSE #12 1/2"-1.25" SS .505

DRAINAGE SYSTEM (BILGE)



**DRAINAGE SYSTEM (BILGE)**

- 1 1815713 PUMP, BILGE 1700GPH ATTWOOD W/CONN
- 2 1794015 SWITCH, FLOAT ATTWOOD W/CVR W/CONN
- 3 1801270 BRACKET, ALUM FLOAT SWITCH HI-WTR ATTWOOD
- 4 1042076 HOSE, WATER 1 1/8" BLK
- 5 1742987 ADAPTER, PVC 1"MPT X 1 1/8"BARB
- 6 294488 VALVE, CHECK PLAS W/O SPRING 1"FPT
- 7 1778931 THRU-HULL, SS 1 1/8"BARB SHORT
- 8 529016 PUMP, BILGE 16GPM MANUAL TWO POS
- 801563 PUMP, BILGE MANUAL PICKUP/STRAINER
- 9 490219 HOSE, CORR SAN/WATER-FILL 1.5" RH
- 10 1778928 THRU-HULL, SS 1.5"BARB SHORT