

**2005 420DA**

**PARTS MANUAL**

**420**

**SUNDANCER®**

International - 455 SUNDANCER



Sea Ray® Parts Manual, 2005 420 SUNDANCER MRP # 1777854

Sea Ray Boats, 2600 Sea Ray Blvd., Knoxville, TN 37914. For information call 1-800-SRBOATS or fax 1-314-213-7878 (USA and International).

Internet address: <http://www.searay.com>

Note: Not all accessories shown in pictures or described herein are standard equipment or even available as options.

Options and features are subject to change without notice.

Confirm the availability of all accessories and equipment with an authorized Sea Ray® dealer.

# 2005 420 SUNDANCER

## TABLE OF CONTENTS



<b>STANDARD &amp; OPTIONAL LAYOUTS</b>	<b>PAGE</b>
EXTERIOR (HULL) .....	1, 2
EXTERIOR (DECK) .....	3, 4, 5
EXTERIOR (WINDSHIELD) .....	6
EXTERIOR (TRANSOM) .....	7, 8
EXTERIOR (SPOILER) .....	9, 10
EXTERIOR (HARDTOP) .....	11, 12
EXTERIOR (GRAPHICS) .....	13, 14
CANVAS (TOAST) .....	15, 16
CANVAS (BLUE) .....	17, 18
CANVAS (GREEN) .....	19, 20
CANVAS (BLACK) .....	21, 22
COCKPIT (PORT VIEW) .....	23, 24
COCKPIT (REFRIGERATOR) .....	25, 26
COCKPIT (STARBOARD VIEW) .....	27, 28
COCKPIT (HELM) .....	29, 30
CONTROL STATION COMPONENT BOARD .....	31
COCKPIT (UPHOLSTERY) .....	32, 33
COCKPIT (SNAP-IN CARPET LINER) .....	34
CONTROL STATION BREAKER PANEL .....	35
SWITCH PANEL (GAS) .....	36, 37
SWITCH PANEL (DIESEL) .....	38, 39
INSTRUMENT PANELS .....	40, 41
DSS SATELLITE TELEVISION SYSTEM .....	42, 43
SEA RAY NAVIGATOR INTERCONNECT DIAGRAM .....	44, 45
SEA RAY NAVIGATOR II WITH RADAR OVERLAY .....	46
SEA RAY NAVIGATOR II - SATELLITE .....	47
NORTHSTAR 6000I 491 FISHFINDER .....	48
NORTHSTAR 6000I NAVIGATION .....	49, 50
NORTHSTAR 6000I 4KW OPEN ARRAY RADAR .....	51
FORWARD STATEROOM .....	52, 53
FORWARD STATEROOM (UPHOLSTERY) .....	54, 55
FORWARD HEAD .....	56, 57
GALLEY (UPPER) .....	58, 59, 60
GALLEY (LOWER) .....	61, 62
SALON .....	63, 64, 65
SALON (UPHOLSTERY) .....	66, 67
MAIN DISTRIBUTION PANEL (120V) .....	68
MAIN DISTRIBUTION PANEL (220VAC 50HZ) .....	69
MAIN DISTRIBUTION PANEL ENCLOSURE .....	70
DC MAIN DISTRIBUTION PANEL 12V WITH GAS GENERATOR .....	71, 72
DC MAIN DISTRIBUTION PANEL 12V WITH DIESEL GENERATOR .....	73, 74
AFT HEAD .....	75, 76
MID STATEROOM .....	77, 78
MID STATEROOM (UPHOLSTERY) .....	79, 80
MULTI-INFO PACKET .....	81, 82
TYPICAL DRAWER/DOOR HARDWARE .....	83
MERRITT ISLAND HARDWARE .....	84, 85
MERRITT ISLAND HARDWARE (CONTINUED 1) .....	86, 87
MERRITT ISLAND HARDWARE (CONTINUED 2) .....	88
BILGE (ELECTRICAL) .....	89, 90
MAIN DC BREAKER ACCESS PANEL .....	91
DC MAIN BREAKER PANEL (GAS) .....	92
DC MAIN BREAKER PANEL (DIESEL) .....	93
MAIN DC BREAKER ENCLOSURE (GAS) .....	94
MAIN DC BREAKER ENCLOSURE (DIESEL) .....	95

	<b>PAGE</b>
BILGE (ENGINE WATER PICK-UP SYSTEM) .....	96
BILGE (2" ENGINE SET-UP/WATER INTAKE) .....	97
BILGE (EXHAUST SYSTEM GAS) .....	98
BILGE (EXHAUST SYSTEM) V-DRIVE .....	99
GENERATOR SYSTEM (GAS) .....	100, 101
GENERATOR SYSTEM (DIESEL) .....	102, 103
AIR CONDITIONING SYSTEM .....	104, 105
OIL EXCHANGE SYSTEM .....	106, 107
STEERING SYSTEM .....	108, 109, 110
FUEL SYSTEM (GAS) .....	111, 112
FUEL SYSTEM (DIESEL) .....	113, 114
FUEL (DISTRIBUTION SYSTEM) .....	115
WATER SYSTEM (AFT HEAD) .....	116
WATER SYSTEM (BILGE) .....	117, 118
WATER SYSTEM (COCKPIT) .....	119, 120
WATER SYSTEM (FORWARD HEAD) .....	121, 122
WATER SYSTEM (GALLEY) .....	123
WATER SYSTEM (MANIFOLD) .....	124, 125
SEWAGE SYSTEM .....	126, 127
DRAINAGE SYSTEM (DRAINS) .....	128, 129
DRAINAGE SYSTEM (BILGE PUMP AND SUMP) .....	130
DRAINAGE SYSTEM (FORWARD COMMON DRAIN) .....	131, 132

# 2005 420 SUNDANCER

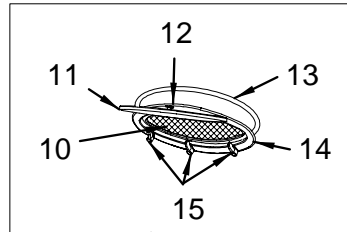
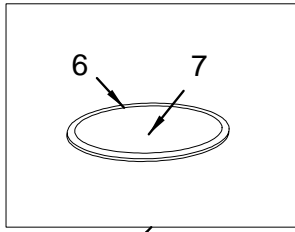
## TABLE OF CONTENTS



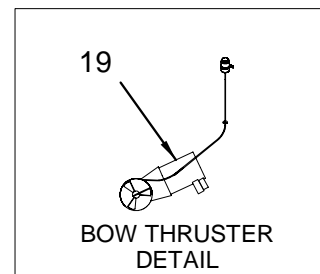
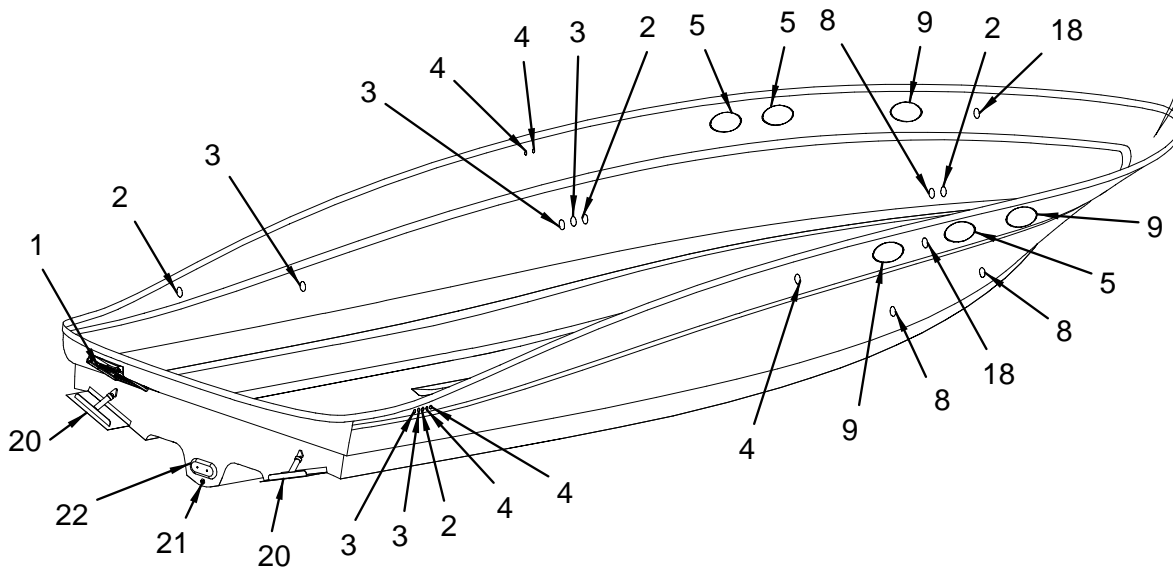
<b>OPTIONS - PARTS LIST</b>	<b>PAGE</b>
CAPTAIN'S NAVY CANVAS .....	133
TVD-CUMMINS 6CTA (T-417 PHP) V-DR.INBOARDS .....	133, 134
TVD-8.1 S HORIZON MIE (T-370 PHP) V-DR. /IB. ....	134
TVD-8.1 SHO HORIZON MIE (T-420 PHP) V-DR. ....	134
TVD-CUMMINS 480CE (T-446 PHP) V-DR.INBOARDS .....	134, 135
FLATSCREEN TV, NTSC W/DVD-FWD STRM-120V/60 .....	135
SEA RAY NAVIGATOR II 12.1 CHARTPLOTTER .....	135
SALON TABLE UPGRADE WITH STOOLS .....	135
ACR SPOTLIGHT .....	135
NORTHSTAR 491 FISHFINDER (ONLY W/ 6000I) .....	135
HULL GEL-COATED BLUE W/ WHITE BOOT STRIPES .....	135
NORTHSTAR 6000I GPS / CHARTPLOTTER / RADAR .....	135, 136
AUXILIARY NORTHSTAR 6000I GPS/ CHARTPLOTTER .....	136
CANDLE GLOW - GALLEY / HEAD COUNTER TOPS .....	136
MACERATOR W/ SEACOCK INTERLOCK SYSTEM .....	136
YACHT FLAG AND FLAG POLE .....	136
HULL GEL-COATED PEWTER W/ BLACK BOOT STRIPE .....	136
FIRE SUPPRESSION FM 200-CANADA & AUSTRALIA .....	136
GRAY WATER SYSTEM .....	136
SEA RAY NAV.II CHARTPLOTTER W/RADAR OVERLAY .....	136
SATELLITE INTERFACE FOR SEA RAY NAV II .....	136, 137
RAYMARINE C120 (12") CHART PLOTTER / RADAR .....	137
RAYMARINE DSM FISH FINDER .....	137
RAYMARINE C120 CHARTPLOTTER ONLY .....	137
FLATSCREEN TV NTSC W/DVD MID-BERTH-120V/60 .....	137
FLATSCREEN TV, PAL W/DVD MID-BERTH-220V/50 .....	137
COCKPIT AIR COND. W/ DIESEL ENGINE -120V/60 .....	137
COCKPIT AIR COND. W/ DIESEL ENGINE -220V/50 .....	137, 138
POWER STEERING - ASSISTED .....	138
COCKPIT AIR W/GAS ENG.& GEN.UPGRADE-120V/60 .....	138
COCKPIT AIR W/GAS ENG.& GEN.UPGRADE-220V/50 .....	138
RAYMARINE - C80 GPS CHARTPLOTTER .....	138, 139
OPENING PORT LIGHTS IN SALON & GALLEY .....	139
SIRIUS SATELLITE RADIO .....	139
BOW THRUSTER .....	139
SHIP WATER READY .....	139
SUN PAD ( S ) - FORWARD DECK .....	139
220 VOLT / 50 CYCLE ELECTRICAL SYSTEM .....	139
WATER DELIVERY - INCLUDES SAFETY PKG & FUEL .....	139
COCKPIT REFRIGERATOR - 120V/60 .....	140
COCKPIT REFRIGERATOR - 220V/50 .....	140
WINDLASS - LOFRANS - CHAIN .....	140
C E OPTION GROUP .....	140
OWNER ORIENTATION VIDEO - PAL FORMAT .....	140
DSS SATELLITE TELEVISION SYSTEM .....	140
110V/60 - FOR INT'L ENTERTAINMENT EQUIPMENT .....	140
CANADIAN CONFORMITY STICKER .....	140
ROD HOLDERS - ( 2 ) .....	140
ENGINE SYNCHRONIZER - DIESEL ENGINES .....	140
WINDLASS CAPSTAN .....	140
ENGINE SYNCHRONIZER - GAS ENGINES .....	140
GENERATOR SOUND BOX - DIESEL ONLY .....	140
TEAK COCKPIT FLOORING .....	140
VACUUM SYSTEM, CENTRAL - BEAM - 120V/60 .....	140
VACUUM SYSTEM, CENTRAL - BEAM - 220V/50 .....	140

	<b>PAGE</b>
AUTOPILOT - RAYPILOT ST 7001+ .....	140
FIBERGLASS HARDTOP .....	140, 141
DASH COVER .....	141
MAPLE FINISH .....	141
"455DA" MODEL DESIGNATORS .....	141

EXTERIOR (HULL)



HORN COVER	16
THRU-HULL ROPE LOCKER	3
CLAMSHELL	17



## EXTERIOR (HULL)

- 1 1691259 LADDER, SWIM 4-STEP SS UNDRMNT TELSCPNG 30DEG
- 1759988 LADDER, SWIM SLIDING GUDGEON 19.25"X 19" SS
- 1759989 LADDER, SWIM SS TELESCOP 16.5"X 16" UPR
- 1759990 LADDER, SWIM SS TELESCOP 16.5"X 16" MID
- 1759984 LADDER, SWIM SS TELESCOP LWR 16.5"X 14.5"
- 1759993 LADDER, SWIM TREAD (CUT TO LNGTH UPR/MID/LWR)
- 2 1688448 THRU-HULL, SS 1 1/8"X 5/8"BARB
- 3 1687508 THRU-HULL, SS 1 1/8"X 1 1/8"BARB
- 4 1618651 VENT, FUEL/WATER SS 5/8" 90DEG FLSH SHALLOW
- 5 1454016 PORTLIGHT, FIXED ALL SS 3/8"-7/8" MOD REV1
- 1331735 PORTLIGHT, GASKET ONLY (BOMAR)
- 1314459 PORTLIGHT, GASKET SATURATED FOAM
- 6 1513191 TRIM RING, PORTLIGHT FIXED 3/8" SS
- 7 1331750 PORTLIGHT, LENS ONLY (BOMAR)
- 8 1521426 THRU-HULL, SS 1.5"X 1.5"BARB
- 9 1454008 PORTLIGHT, OPENING ALL SS 3/8"-7/8" FROS REV1
- 1314459 PORTLIGHT, GASKET SATURATED FOAM
- 10 1331313 PORTLIGHT, SCREEN 3/8"X 7/8"
- 11 1331727 PORTLIGHT, LENS ONLY FROSTED (BOMAR)
- 12 866434 KNOB, PORTLIGHT KNOB ONLY (BOMAR)
- 13 1513183 TRIM RING, PORTLIGHT 3/8" SS
- 14 1331735 PORTLIGHT, GASKET ONLY (BOMAR)
- 15 1107044 PORTLIGHT, HANDLES QUICKDOGS (BOMAR)
- 16 824748 HORN CVR, CONCEALED DUAL WHT LG
- 1662964 HORN CVR, CONCEALED DUAL SS LG  
**(HULL GEL-COATED BLUE W/ WHITE BOOT STRIPES)**
- 796805 HORN, DUAL CONCEALED TRUMPET AIR
- 263400 HORN, COMPRESSOR TRUMPET AIR
- 17 533430 VENT, CLAMSHELL ROPE LCKR 2"X2"
- 18 688721 COVER, CUSTOM CLAMSHELL (ABS/DR)
- 1630664 COVER, CUSTOM CLAMSHELL AMETHYST BLUE  
**(HULL GEL-COATED BLUE W/ WHITE BOOT STRIPES)**
- 1797185 COVER, CUSTOM CLAMSHELL PEWTER  
**(HULL GEL-COATED PEWTER W/ BLACK BOOT STRIPE)**
- 19 1754500 BOW THRUSTER, 95KGF 24VDC 7.28"ID TUNNEL  
**(BOW THRUSTER)**
- 1799142 BOW THRUSTER, PROP 95KGF 24VDC 7.28"ID TUNNEL  
**(BOW THRUSTER)**
- 1048388 BOW THRUSTER, EXT HARNESS 20"  
**(BOW THRUSTER)**
- 1124379 BOW THRUSTER, FBRGLS TUNNEL 7 7/8"X 60"  
**(BOW THRUSTER)**
- 1396456 BOW THRUSTER, JOG LEVER  
**(BOW THRUSTER)**
- 1751061 LABEL, BOW THRUSTER  
**(BOW THRUSTER)**
- 20 1743953 TRIM TAB, ASSY 12X24 TAB W/ACT'RS W/HWDR
- 1773555 TRIM TAB, PLATE ASSY 12X24 3PC PORT/STBD
- 133876 TRIM TAB, HYD CYLINDER ONLY
- 21 325191 PLUG, RED BRASS DRAIN PLUG 1/2"MPT
- 162263 PLUG, BRASS 1/2" MPT DRAIN SPARE
- 22 144329 ZINC, TRANSOM ZINC

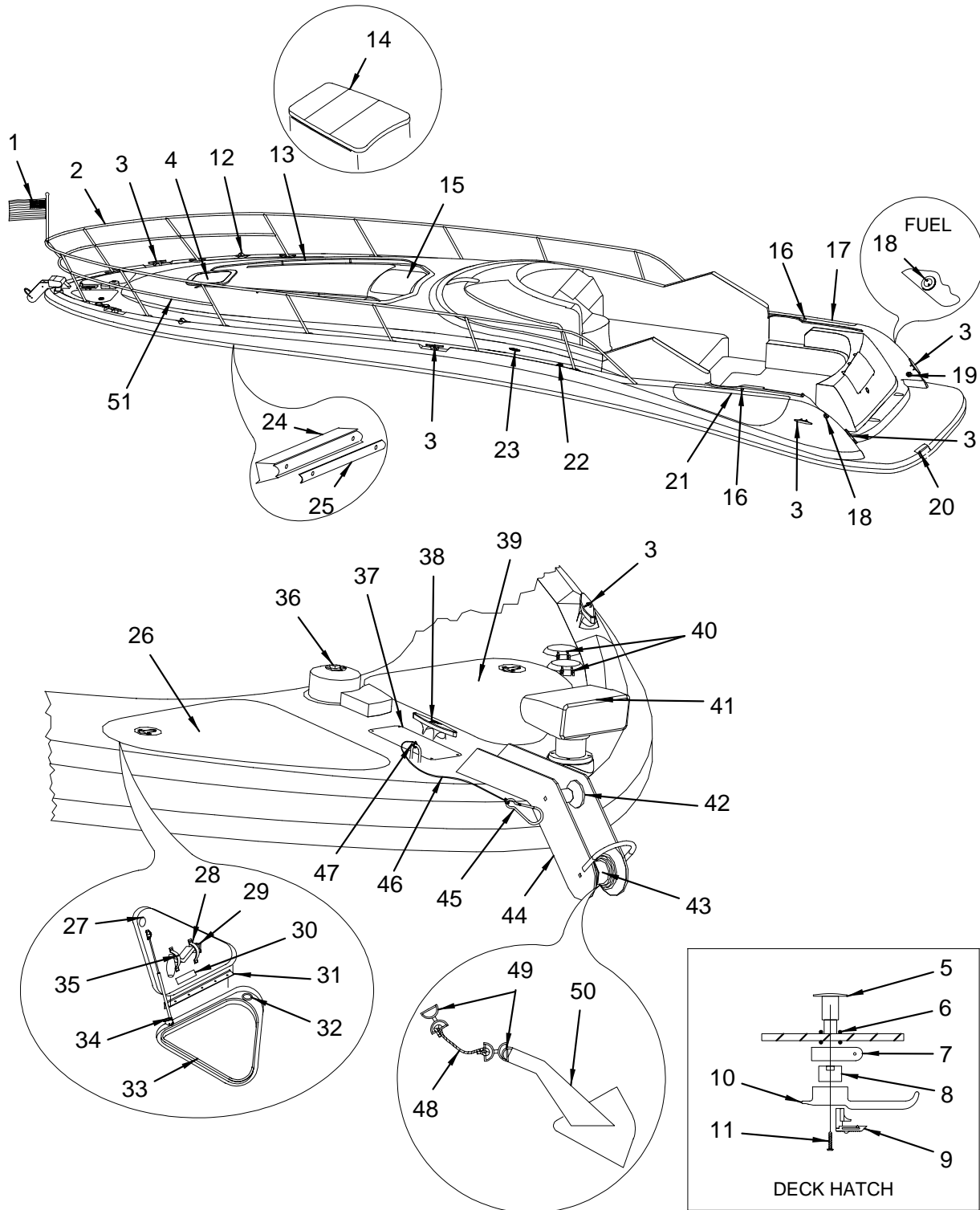
## LABELS

- 1573112 LABEL, LADDER MAINTENANCE
- 1743532 LABEL, SLING (LEXAN)

## NOT SHOWN

- 122853 FITTING, WATER TIGHT OUTLET FOR 5/16" CABLE
- 548453 PLATE, BACKING SWMPLTFM 1/4" ALUM
- 1521434 THRU-HULL, SS 1 1/8"X 3/4"BARB
- 182964 THRU-HULL, PLAS 3/4" WHT

EXTERIOR (DECK)



## EXTERIOR (DECK)

1	685214	FLAG, USA 2'X 3' (YACHT FLAG AND FLAG POLE)	15	1629914	WINDOW, 550/420DA-03 SKYLIGHT DECK (NOTE: ORDER DIRECT FROM TAYLOR)
	706747	CLIP, FLAG (YACHT FLAG AND FLAG POLE)	16	1795401	ROD HOLDER, FLUSH MNT SS 30DEG CONTR W/LOGO (ROD HOLDERS - (2)) (REPLACED 1313915)
	1190354	POLE, FLAGSTAFF YACHTS AFT SS 40" (YACHT FLAG AND FLAG POLE)		1313915	ROD HOLDER, FLUSH MNT SS 30DEG CONTR MED (ROD HOLDERS - (2)) (NO LONGER AVAILABLE ORDER 1795401 W/SR LOGO)
	685313	SOCKET, FLUSH MOUNT STERN FLAG POLE (YACHT FLAG AND FLAG POLE)	17	1784350	420DA 05,CVR,STB BLG VENT FBRGLS
2	1733700	RAIL, BOW 420DA-03 CMPLT WELDED		1733090	BOX, ABS 420DA-04 STB VENT
	185082	RAIL, BOW RAIL SET SCREW ONLY		791749	VENT, PLAS GRILL 4" WHT
	1690752	PLATE, BACKING BOW RAIL SML RECT		1734204	VENT, PLAS GRILL 5"X 12" OVAL WHT
3	1777988	CLEAT, 10" SEA RAY SS 2-BOLT (HULL#710->UP)	18	1114255	DECK PLATE, GAS SS 2" RED CLR-CODE (GAS ENGINE)
	1463488	CLEAT, 10.5" SEA RAY SS (HULL#501->709)		1114263	DECK PLATE, DSL SS 2" GRN CLR-CODE (DIESEL ENGINE)
	1473057	PLATE, BACKING CLEAT 1/4"X 2.5"X 5"		522581	DECK PLATE, CAP W/CHAIN
4	1688217	HATCH, DECK TRAPEZOID ARC WHT (NOTE: ORDER DIRECT FROM TAYLOR)		522599	KEY, DECK PLATE CAP
	1764546	SCREEN, DECK TRAPEZOID SKYSCREEN MK5	19	1752438	DECK PLATE, WASTE SS BLK CLR-CODE W/INT SYMBL
	1745363	GASKET, DECK HATCH TRAPEZOID		522581	DECK PLATE, CAP W/CHAIN
5	632794	HATCH, ALL HATCH SIZES MUSHROOM OR POST (NOTE: ORDER DIRECT FROM TAYLOR)		522599	KEY, DECK PLATE CAP
6	632778	HATCH, O-RING (NOTE: ORDER DIRECT FROM TAYLOR)	20	1691260	RAIL, GRAB 13.75" RND 1" TUBE SS
7	701466	HATCH, ARM UNIV PIVOT ALL SIZES (NOTE: ORDER DIRECT FROM TAYLOR)	21	1784351	420DA 05,CVR,PRT BLG VENT FBRGLS
	701458	HATCH, DECK KNOB ULTRA 92/93 (NOTE: ORDER DIRECT FROM TAYLOR)		513895	ACCESS PLATE, PAINTED PLAS 5" WHT
	800862	ARM, DECK HATCH TELESCOPE SHORT BDY BLK PLAS (NOTE: ORDER DIRECT FROM TAYLOR)		1733089	BOX, ABS 420DA-04 PRT VENT
	800870	ARM, DECK HATCH TELESCOPE ULTRA BDY BLK PLAS (NOTE: ORDER DIRECT FROM TAYLOR)		791749	VENT, PLAS GRILL 4" WHT
8	802819	HATCH, ALL HATCH SIZES PIVOT LATCH ADAPTER (NOTE: ORDER DIRECT FROM TAYLOR)		1734204	VENT, PLAS GRILL 5"X 12" OVAL WHT
9	802827	HATCH, HATCH HANDLE (NOTE: ORDER DIRECT FROM TAYLOR)	22	1109321	DECK PLATE, WATER SS BLUE CLR-CODE
10	802801	HANDLE, DECK HATCH LATCHING (NOTE: ORDER DIRECT FROM TAYLOR)		522581	DECK PLATE, CAP W/CHAIN
11	802793	HATCH, SCREW 3/8" PLEX (NOTE: ORDER DIRECT FROM TAYLOR)		522599	KEY, DECK PLATE CAP
12	1770647	LIGHT, NAV SIDE SS HORZ 12V W/IMPRVD GASKET	23	1443183	EMBLEM, "SEA RAY" SCRIPT HULL LOGO CHR 13"
	1798179	LIGHT, NAV SIDE SS LENS CVR ONLY(RED/PRT)	24	1750439	RUBRAIL, PVC ARC WHT 20'
	1798182	LIGHT, NAV SIDE SS LENS CVR ONLY(GRN/STB)	25	1080100	INSERT, RUB RAIL SS 3/4" X 12' (.062/304SS)
	1423946	BULB, REPL FOR #1414895 12V	26	1784352	420DA 05,HATCH,ANCHOR STRG STB FBRGLS
13	1733699	RAIL, DECK RUNNER 420DA-03 PRT		1799859	EYE, BOW 1/2" X OFFSET THRD 4.75" X 3.75" (HULL#693->UP)
	1738675	RAIL, DECK RUNNER 420DA-03 STB		126516	EYE, BOW 1/2"X 4.75" SS (HULL#501->692)
14	1784348	420DA 05,CUSH,SNPD CMPLT (SUNPAD (S) - FORWARD DECK)	27	1480813	LATCH, FLUSH MOUNT ROUND T-HNDL SS W/PAWL
	1784349	420DA 05,CUSH,SKN,SNPD CMPLT (SUNPAD (S) - FORWARD DECK)	28	156893	WEBBING, POLYPROPYLENE 1" BLACK
	1630698	CANVAS, SEAMARK CAPTAIN'S NAVY 60"W/BC (SUNPAD (S) - FORWARD DECK)		154369	SNAP STUD, W/#8 X 3/8" PH SS
	1130079	CANVAS, SEAMARK HUNTER TWEED 60" W/BC (SUNPAD (S) - FORWARD DECK)		779041	SNAP SOCKET, HARD ACTION
	1180033	CANVAS, SEAMARK TOAST TWEED 60" W/BC (BLACK/TAN CANVAS) (SUNPAD (S) - FORWARD DECK)	29	1043918	WINDLASS, CRANK HANDLE LOFRANS PROGRESS
	1727396	EYE, PAD 1" STRAP SS LOW PROFILE (SUNPAD (S) - FORWARD DECK)	30	1746896	LABEL, DANGER STAY CLEAR OF MOVING PARTS
	1739639	FOAM, P/C 420DA-03 SUNPAD 3PC (SUNPAD (S) - FORWARD DECK)	31	850552	HINGE, SS CONT 2"X 18" W/1/8" PIN
	226787	LABEL, CAUTION SUN PAD (SUNPAD (S) - FORWARD DECK)	32	1687508	THRU-HULL, SS 1 1/8"X 1 1/8" BARB
	1752374	LABEL, SUN PAD WARNING UNDERWAY (SUNPAD (S) - FORWARD DECK)	33	1455534	TRIM-SEAL, 5/16" W/5/16" BULB LOC-A
	773630	MESH, WHITE 54" (SUNPAD (S) - FORWARD DECK)	34	1424597	CYLINDER, GAS SS 20PSI 15"EXT X 9"COMP
	180406	SLIDE, DELRIN #5 WHT 1-S LOCK (SUNPAD (S) - FORWARD DECK)		634550	BRACKET, SS GAS CYL 90DEG L-BRKT W/BALL LONG
	1690169	TRACK, VINYL AWNING WHT "FLEX-A-RAIL" 20' (SUNPAD (S) - FORWARD DECK)		732792	BRACKET, SS GAS CYL 90DEG 2.062" W/STUD
	1740876	UPH PARTS, BUCKLE 1" SS ADJUST-A-BUCKLE (SUNPAD (S) - FORWARD DECK)	35	830844	HOLDER, P/B WINDLASS CRANK HANDLE
	156893	WEBBING, POLYPROPYLENE 1" BLACK (NAVY/GREEN CANVAS) (SUNPAD (S) - FORWARD DECK)	36	1772549	WINDLASS, PROJECT 1000 LOW PROFILE
	1690521	WEBBING, POLYPROPYLENE 1" BEIGE (BLACK/TAN CANVAS) (SUNPAD (S) - FORWARD DECK)		1772550	WINDLASS, PROJECT 1000 CAPSTAN (WINDLASS CAPSTAN)
	1788686	WELT, POLYESTER/NYLON BLK .78-.78 (HULL#541->UP) (SUNPAD (S) - FORWARD DECK)		798447	WINDLASS SOLENOID, LOFRANS CONTROL BOX 12V
	1784010	WELT, POLYESTER/NYLON BLK (HULL#510->540) (SUNPAD (S) - FORWARD DECK)	37	1760941	PLATE, HDPE 360/420DA-04 1/2"X 3"X 15" CHAIN
	1738679	WELT, POLYESTER/NYLON WHT (HULL#501->509) (SUNPAD (S) - FORWARD DECK)	38	1463470	CLEAT, 8.5" SEA RAY SS
	180182	ZIPPER, #5 DELRIN CONTINUOUS WHT (SUNPAD (S) - FORWARD DECK)		1473040	PLATE, BACKING UNIVERSAL 3/16"
			39	1784353	420DA 05,HATCH,ANCHOR STRG PRT FBRGLS
			40	757765	WINDLASS FOOTSWITCH, HVY DUTY W/SAFTY CVR WHT
			41	1687161	COVER, PLAS SAFETY WINDLASS FOOTSWITCH
			42	930263	SPOTLIGHT, ACR HALOGEN WHT 12V (ARC SPOTLIGHT)
				845784	BULB, SPOTLIGHT 12V (ARC SPOTLIGHT)
				1756730	SPOTLIGHT, MASTER CONTROLLER W/LIGHT TURN-ON (ARC SPOTLIGHT)
				1756729	PAD, SPOTLIGHT REMOTE CONTROL (ARC SPOTLIGHT)
			43	1758374	ROLLER, ANCHOR BACK (904268)
			44	1758375	ROLLER, ANCHOR FRNT (904268)
			45	904268	DAVIT, ANCHOR W/ROLLER SS 370DA-97 (PLOW)
			46	819342	HOOK, SNAP 3/8"X 4" SS
			47	1104595	LANYARD, CABLE ANCHOR 3/16" SS
			48	697508	EYE, BOW 3/8"X 2.75"
				1756730	ROPE/CHN KT, LOFRANS 5/8"X 200'/5/16"X 25'RV1
				225060	CHAIN, GRADE 40 GALV 5/16" 200' (WINDLASS-LOFRANS PROGRESS-CHAIN)
				1048743	CHAIN STOP, SS W/LANYARD (WINDLINE) (WINDLASS-LOFRANS PROGRESS-CHAIN)
			49	1145275	ANCHOR SHACKLE, JAW/JAW SWIVEL HVY DTY 3/8"
			50	878512	ANCHOR, 35LB GALV PLOW
			51	1733701	LIFE LINE, 420DA-03

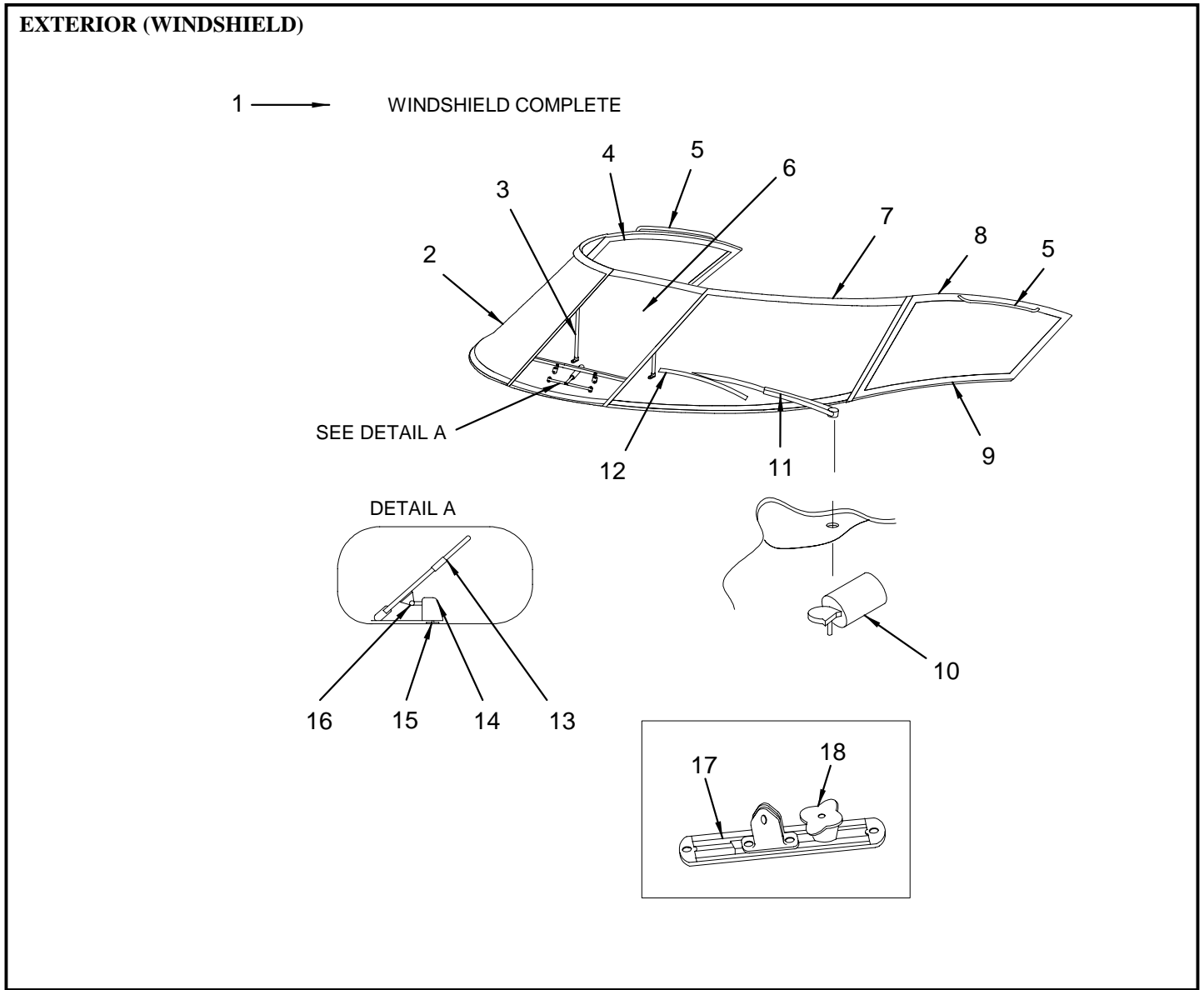
**LABELS**

1750454 DECAL, SEA RAY OWNERS CLUB (NBOA) RV  
1746896 LABEL, DANGER STAY CLEAR OF MOVING PARTS  
1745157 LABEL, FUEL RECOMMENDATION

**NOT SHOWN**

512244 BRACKET, ALUM 1/8"X 2"X 6" FLAT  
256677 CLAMP, HOSE #12 1/2"-1.25" SS .505  
1500552 CLIP, TABLE LEG 60MM TUBE BLK  
1501782 HOSE, CONDUIT/SPLIT 1/2" FLAME RETARDANT  
1689300 HOSE, UNIFLEX BLUE 1/2" SW/FPT PLAS 1'  
770404 INSULATION, 2" ACOUSTICAL 4.5'X 6' ALUM  
548453 PLATE, BACKING SWMPLTFM 1/4" ALUM  
192096 RIVET, POP/BLIND #1/8 X 1/8" SS  
723767 SNAP CAP, PRESS-ON CVR #2 PHILLIP WHT  
1220441 TAPE, FOAM SGL FACE WHT VINYL 3/8"X 72YD  
1689322 TEE, UNIFLEX PLAS 1/2"SW/FM 1/2"MPT/MPT STACK  
724336 UPH PARTS, SNAP RING CLEAR  
757427 UPH PARTS, STUD FLANGELESS





**EXTERIOR (WINDSHIELD)**

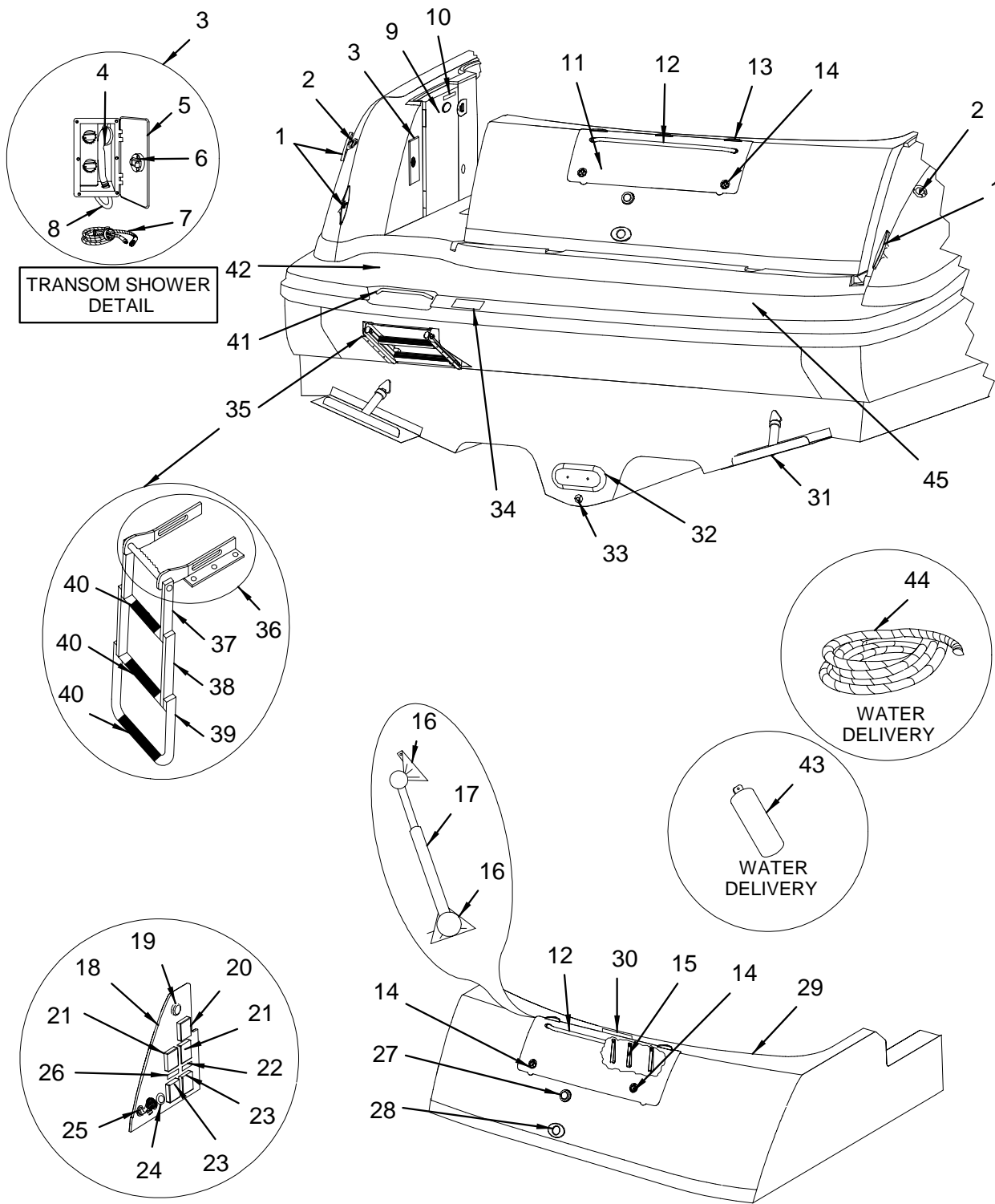
- 1 1753925 W/S, 420DA-04 VENTED FRNT W/BRCKTS N/CTR  
(NOTE: ORDER DIRECT FROM TAYLOR)
- 1758314 W/S, 420-04 HDWR KIT  
(NOTE: ORDER DIRECT FROM TAYLOR)
- 2 1758300 W/S, 420-04 SS STB FRNT  
(NOTE: ORDER DIRECT FROM TAYLOR)
- 3 1758304 W/S, 420DA-04 SUPPORT BARS  
(NOTE: ORDER DIRECT FROM TAYLOR)
- 4 1758302 W/S, 420-04 STB WING  
(NOTE: ORDER DIRECT FROM TAYLOR)
- 5 1747835 RAIL, GRAB 24" STRMLN .75" TUBE N/ STUD 316L
- 6 1753928 W/S, 420DA-04 CTR ONLY STD  
(NOTE: ORDER DIRECT FROM TAYLOR)
- 1753929 W/S, 420DA-04 SS W/H/T CTR ONLY  
(FIBERGLASS HARDTOP)  
(NOTE: ORDER DIRECT FROM TAYLOR)
- 7 1758299 W/S, 420-04 SS PRT FRNT  
(NOTE: ORDER DIRECT FROM TAYLOR)
- 8 1758301 W/S, 420-04 PRT WING  
(NOTE: ORDER DIRECT FROM TAYLOR)
- 9 1758303 W/S, VINYL SCREW COVER TAPE  
(NOTE: ORDER DIRECT FROM TAYLOR)
- 10 1756213 WIPER MOTOR, 85 DEG W/2"SHFT LH PARK 12V
- 1756219 WIPER MOTOR, 85 DEG W/2"SHFT RH PARK 12V
- 11 1643055 WIPER ARM, 24" BLK CS W/MIST KIT
- 12 1657980 WIPER BLADE, 28" FLEX BLACK HVY DUTY (RADIUS)
- 13 1100262 ACTUATOR, ELEC W/S VENT 4"8P CE

- 14 1762821 COVER, ABS W/S VENT ACTUATOR NCKL  
(HULL#616->UP)
- 1765862 COVER, ABS W/S VENT ACTUATOR BLK  
(HULL#507->615)
- 1409911 COVER, ABS W/S VENT ACTUATOR ZPHR  
(HULL#501->506)
- 15 122853 FITTING, WATER TIGHT OUTLET FOR 5/16" CABLE
- 16 1483304 BRACKET, SS W/S ACTUATOR MNT #14-333
- 17 1536051 SLIDE, W/S CANVAS TRACK PORT
- 1536069 SLIDE, W/S CANVAS TRACK STBD
- 18 1738744 KNOB, W/S CANVAS TRACK PRT & STB

**NOT SHOWN**

- 1773807 BRACKET, ALUM 1/8"X 2"X 6" W/S WIPER

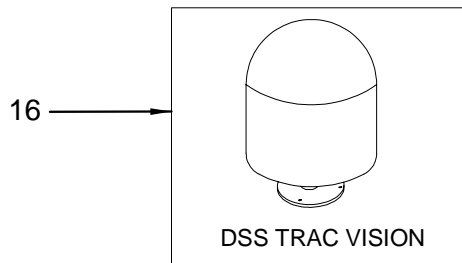
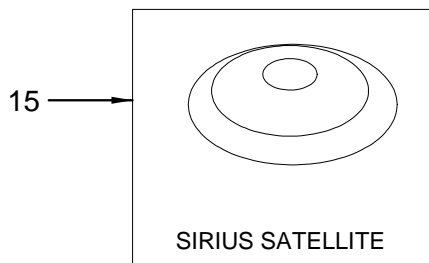
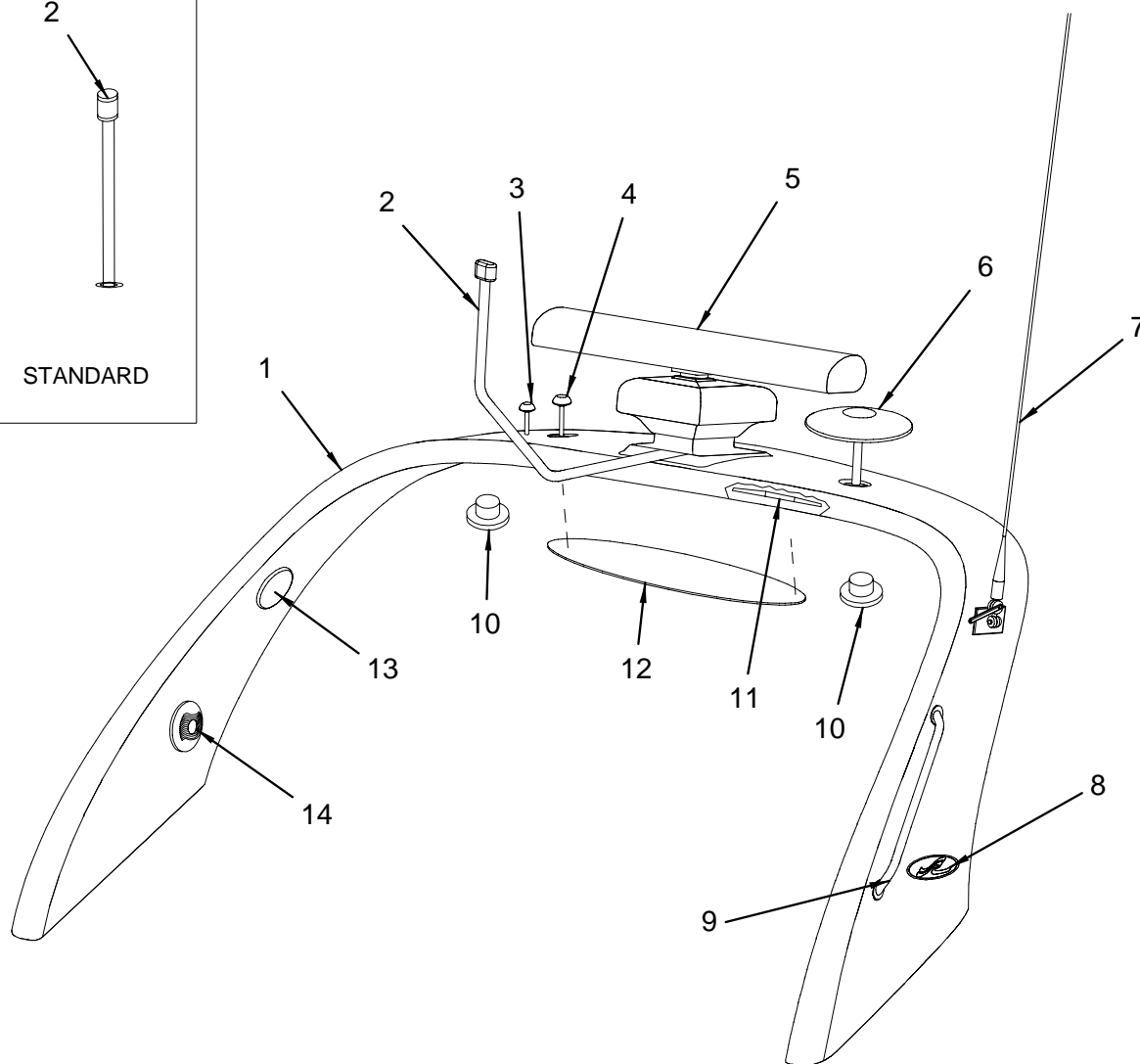
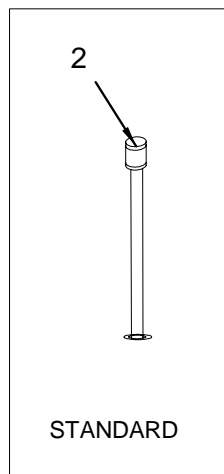
EXTERIOR (TRANSOM)



## EXTERIOR (TRANSOM)

1	1777988	CLEAT, 10" SEA RAY SS 2-BOLT (HULL#710->UP)	31	671875	TRIM TAB, HPU KIT W/ACCYS
	1463488	CLEAT, 10.5" SEA RAY SS (HULL#501->709)	32	144329	ZINC, TRANSOM ZINC
	1473057	PLATE, BACKING CLEAT 1/4"X 2.5"X 5"	33	325191	PLUG, RED BRASS DRAIN PLUG 1/2"MPT
2	1114255	DECK PLATE, GAS SS 2" RED CLR-CODE (GAS ENGINE)		162263	PLUG, BRASS 1/2" MPT DRAIN SPARE
	1114263	DECK PLATE, DSL SS 2" GRN CLR-CODE (DIESEL ENGINE)	34	1745519	LABEL, DANGER SHUT OFF ENG WHEN NEAR SWIMMERS
	522581	DECK PLATE, CAP W/CHAIN	35	1691259	LADDER, SWIM 4-STEP SS UNDRMNT TELSCPNG 30DEG
	522599	KEY, DECK PLATE CAP	36	1759988	LADDER, SWIM SLIDING GUDGEON 19.25"X 19" SS
3	736702	FAUCET, WASHDOWN BOX W/MIXER (AQUATIK) VERT	37	1759989	LADDER, SWIM SS TELESCOP 16.5"X 16" UPR
	1745992	BLKHD, HDPE TRNSM SHWR WAND (HULL#501->581)	38	1759990	LADDER, SWIM SS TELESCOP 16.5"X 16" MID
	1298710	FAUCET, CARTRIDGE CERAMIC 90DEG LH	39	1759984	LADDER, SWIM SS TELESCOP LWR 16.5"X 14.5"
	1302504	FAUCET, CARTRIDGE CERAMIC 90DEG RH	40	1759993	LADDER, SWIM TREAD (CUT TO LGTH UPR/MID/LWR)
4	1302603	FAUCET, WASHDOWN SPRAYER HEAD ONLY(AQUATIK)	41	1691260	RAIL, GRAB 13.75" RND 1" TUBE SS
5	1302587	FAUCET, WASHDOWN DOOR ONLY (AQUATIK)	42	1765752	FLOOR, TEAK CKPT/SW/MPLTFM W/GLUE/INSTALL (TEAK COCKPIT FLOORING)
6	1742646	LATCH, WASHDOWN DOOR (AQUATIK)	43	1779370	FENDER, 8"X 20"WHT (LAND&SEA) (WATER DELIVERY - INCLUDES SAFETY PKG & FUEL)
7	1302579	FAUCET, WASHDOWN SHOWER UNIT ONLY (AQUATIK)	44	1783536	ROPE, NYLON 3/8" (600'ROLL) (LAND&SEA) (WATER DELIVERY - INCLUDES SAFETY PKG & FUEL)
8	1302595	FAUCET, WASHDOWN HOSE W/FPT ONLY(AQUATIK)	45	1765752	FLOOR, TEAK CKPT/SW/MPLTFM W/GLUE/INSTALL (COMPLETE KIT FOR COCKPIT/SWIM PLATFORM) (COCKPIT TEAK FLOORING)
9	1733116	DOOR, PLEX 420DA-03 TRNSM W/OMNI-BOB LATCH	<b>LABELS</b>		
	1754614	LATCH, #7771 OMNI BOB 1 9/16"-1 13/16"W/LCK		1745519	LABEL, DANGER SHUT OFF ENG WHEN NEAR SWIMMERS
	1684897	STRIKER, #7742 SS FOR OMNI FLAT CLSD POSTN		1743571	LABEL, DANGER TRANSOM DOOR (LEXAN)
	1684899	DOOR KEEPER, #7709 BLK PLAS FOR OMNI 3/4"		1745512	LABEL, STAY CLEAR OF MOVING PARTS ON ENGINE
	1760347	SHIM, ACRY 420DA-04 1/4" T-DOOR		1745515	LABEL, WARNING DO NOT STAND/WALK THIS AREA
10	1743571	LABEL, DANGER TRANSOM DOOR (LEXAN)		1745513	LABEL, WARNING LEAKING FUEL
11	1793406	420DA 05,LID,TRNSM	<b>NOT SHOWN</b>		
	579573	CLIP, RETAINER BOAT HOOK 5/8"TO 1 1/4"		1740165	ANGLE, FBRGLS 1.5"X1.5X1/4"X10'EQUAL LEG
	159244	(WATER DELIVERY - INCLUDES SAFETY PKG & FUEL) HOOK, ALUM BOAT HOOK		634998	BOX, V/F 7.75"X 5"X 3" BLANK
	184424	(WATER DELIVERY - INCLUDES SAFETY PKG & FUEL) KEY RING, PLASTIC BUOY RED		1232214	BRACKET, PVC 2"X 2"X 3.5" WHT
	1779365	(WATER DELIVERY - INCLUDES SAFETY PKG & FUEL) KIT, FIRST AID		1203918	BRACKET, PVC 2"X 2"X 5" WHT
	1779364	(WATER DELIVERY - INCLUDES SAFETY PKG & FUEL) KIT, SIGNAL GUN		1226968	BRACKET, PVC 2"X 2"X 15" WHT
	1779372	(WATER DELIVERY - INCLUDES SAFETY PKG & FUEL) LIFE VEST, ADULT ORANGE TYPE 1 MERCH MATE II		1298264	BRACKET, PVC 2"X 2"X 26" WHT
	1779366	(WATER DELIVERY - INCLUDES SAFETY PKG & FUEL) RING BUOY, RESCUE RING BUOY 20"		1738440	BLKHD, P/B 420DA-03 TRNSM WALL STB BLKOFF
	1779367	(WATER DELIVERY - INCLUDES SAFETY PKG & FUEL) ROPE, NYLON DOCKLINE 5/8"X 40'BLK		1735566	BULKHD, HDPE 420DA-03 TRANS STRG
	187237	(WATER DELIVERY - INCLUDES SAFETY PKG & FUEL) TAG, WARNING ANTI-FREEZE			
12	1761039	(WATER DELIVERY - INCLUDES SAFETY PKG & FUEL) RAIL, GRAB 360/380/420/390DA-04 ARCH 35" 316L			
13	1338821	HINGE, SS STRAP 2.56" X 2.56" X 1/4"			
14	1411453	LATCH, FLUSH MOUNT PULL SS (SLAM)			
	1418078	SHIM, RUBBER 9MM SS LATCH			
15	855809	ROPE, DOCKLINE STRAP WHT W/HDWR (SHORT STYLE)			
16	634550	BRACKET, SS GAS CYL 90DEG L-BRKT W/BALL LONG			
17	1424597	CYLINDER, GAS SS 20PSI 15"EXT X 9"COMP			
18	1735567	BULKHD, HDPE 420DA-03 TRANS STRG SHR PWR INLT			
19	840868	LIGHT, COURTESY ROUND W/FROSTED LENS 12V/5W			
	1192368	BULB, REPL FOR #0840868 12V/5W			
20	133694	INLET, PHONE/TV CABLE COMBO WHT			
	136085	CORD SET, TV CABLE 50FT			
	136093	CORD SET, PHONE 50FT			
	135970	WIRE, 18/4 PHONE			
21	829416	INLET, "MAIN BRKR" HOUSING WHT			
	376889	BRKR, IN-LINE 30A 110V			
	851295	BRKR/TOGGLE, 2-POLE AC MED DELAY 20A (10-32) (220 VOLT / 50 CYCLE ELECTRICAL SYSTEM)			
22	1743513	LABEL, "LINE 2" (LEXAN)			
23	133678	INLET, SHORE POWER WHT 125V 30A			
	206276	INLET, SHORE POWER WHT 220V/50H 16A (220 VOLT / 50 CYCLE ELECTRICAL SYSTEM)			
	1244367	CORD SET, 120V/30A 50FT POWERCORD PLUS			
	206268	CORD SET, 220V/50H 16A 50FT (220 VOLT / 50 CYCLE ELECTRICAL SYSTEM)			
	133652	ADAPTER, SHORE CORD 125V/30A(F)-125V/15A(M)			
24	141168	INLET, WATER W/PRESS REGULATOR WHT			
25	1096262	FAUCET, SILLCOCK WASHDOWN (WHITECAP)			
26	1743512	LABEL, "LINE 1" (LEXAN)			
27	137380	LIGHT, NAV STERN FLUSH MT CKPT			
	1200369	BULB, REPL FOR #0137380/#0783670			
28	948547	HAWSE PIPE, OVAL 4.25"X 16"GAUGE X 1"			
29	1784354	420DA 05,TRNSM WALL,FBRGLS			
30	1745515	LABEL, WARNING DO NOT STAND/WALK THIS AREA			
31	1743953	TRIM TAB, ASSY 12X24 TAB W/ACT'RS W/HDWR			
	1773555	TRIM TAB, PLATE ASSY 12X24 3PC PORT/STBD			
	479972	TRIM TAB, HYD TUBING			

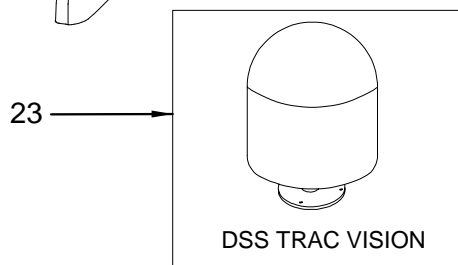
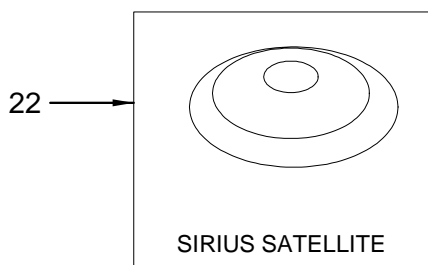
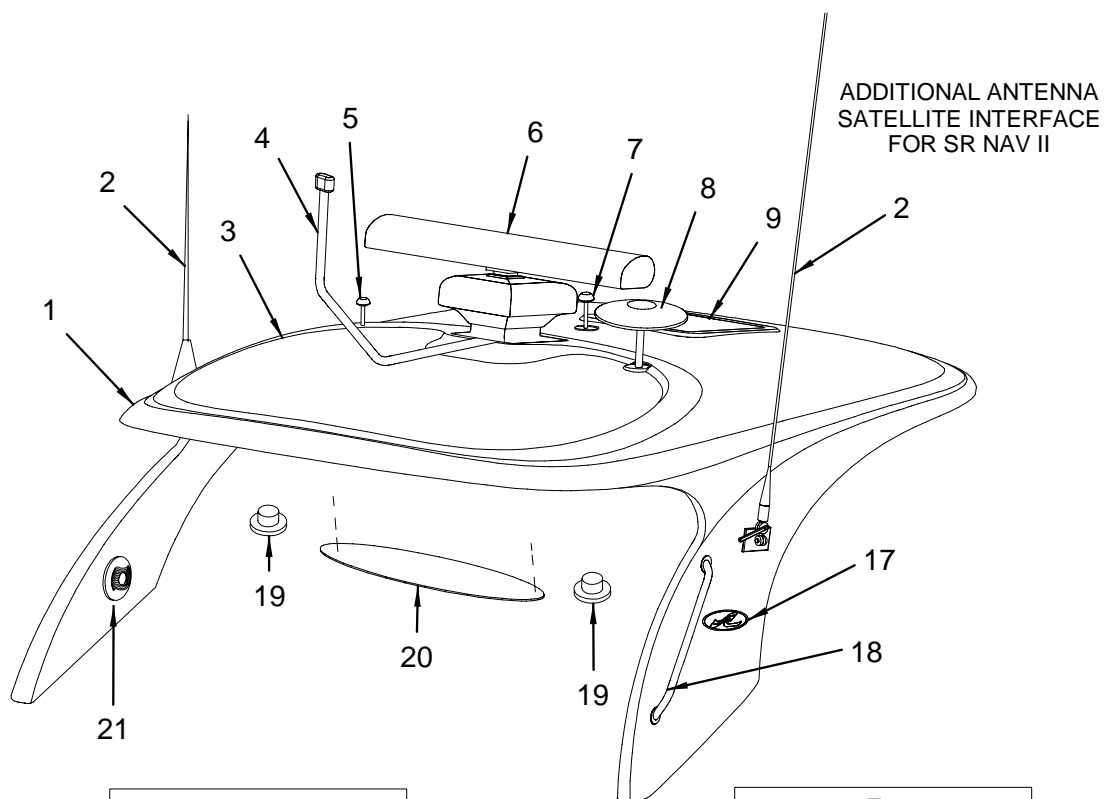
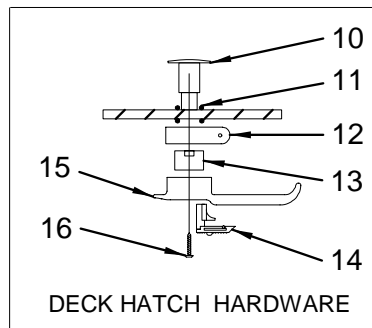
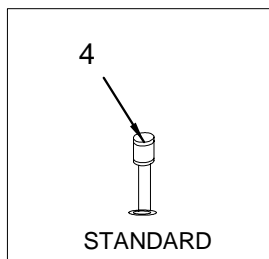
EXTERIOR (SPOILER)



## EXTERIOR (SPOILER)

- 1 1784355 420DA 05,ARCH,FBRGLS
- 1736250 BRACE, ALUM 420DA-03 SPRT SPOILER 3/8" 4PC
- 2 1590553 LIGHT, NAV MASTHEAD COMBO VAR MT 27"
- 646356 BULB, DBL END 12V FOR #0256313/794826
- 1543750 LIGHT, NAV MASTHEAD ANCHOR 26"
- (RAYMARINE C120 (12") CHART PLOTTER / RADAR)
- 659466 BULB, DBL END CLEAR 12V
- (RAYMARINE C120 (12") CHART PLOTTER / RADAR)
- 3 1478957 GPS, RAYNAV 300 GPS W/WAAS SENSOR
- 1592617 GPS, RAYSTAR RS120 SENSOR SEATALK WAAS
- 1800496 GPS, RAYSTAR RS125 SENSOR NMEA & SEATALK
- (RAYMARINE C120 (12") CHART PLOTTER / RADAR)
- (RAYMARINE - C80 GPS CHARTPLOTTER)
- (RAYMARINE C120 CHARTPLOTTER ONLY)
- 1478973 FLUSH MOUNT KIT, RAYNAV 300 GPS
- 788711 MOUNT, ANTENNA DECK GPS SS
- 1539204 BRACKET, 1/8"X 3.5"X 5" ANTENNA MOUNT
- 4 1592617 GPS, RAYSTAR RS120 SENSOR SEATALK WAAS
- (RAYMARINE C120 (12") CHART PLOTTER / RADAR)
- 5 1408632 RADAR, RAYTHEON 5S 48" ARRAY
- (RAYMARINE C120 (12") CHART PLOTTER / RADAR)
- 1772723 RADAR, RAYTHEON 5S 4KW PEDESTAL
- (RAYMARINE C120 (12") CHART PLOTTER / RADAR)
- 1772725 RADAR, CABLE 15 METER STD PEDESTAL CABLE
- (RAYMARINE C120 (12") CHART PLOTTER / RADAR)
- 6 792325 ANTENNA, TV GLOMAX ASSY W/CONN
- 1803748 MOUNT, ANTENNA TV GLOMAX ASSY W/CONN
- 1180041 ANTENNA, TV AMP W/SHIP/SHORE A/B SW 12/24VDC
- 7 1777084 ANTENNA, 8' PREMIUM VHF ANTENNA W/CONN
- 1274570 ANTENNA, 8' SHAKESPEARE 5225 GLXY W/CP CONN
- (SATELLITE INTERFACE FOR SEA RAY NAV II)
- 115311 MOUNT, RATCHET VHF 4-WAY W/1"-14 MALE THD SS
- 122853 FITTING, WATER TIGHT OUTLET FOR 5/16" CABLE
- 1743871 CABLE, VHF 230 REMOTE SPKR EXTNSN 3 METER
- (HULL#501->585)
- 8 1443225 EMBLEM, S/R WAVE 8" OVAL CHR TRNSM
- 9 1738176 RAIL, GRAB 420DA-03 ARCH PRT
- 1743096 RAIL, GRAB 420DA-03 ARCH STB
- 10 137380 LIGHT, NAV STERN FLUSH MT CKPT
- 1200369 BULB, REPL FOR #0137380/#0783670
- 11 1581560 ANTENNA, AMPLIFIED 13398
- 12 1109768 PLATE, HDPE 380/410-99/00 SPOILER ACCESS
- 13 513895 ACCESS PLATE, PAINTED PLAS 5" WHT
- 14 1690555 SPEAKER, COAXIAL 6.5" W/WHT CVR
- 1690558 GRILL, SPEAKER 6.5" ACOM WHT
- 701904 WIRE, 16/2 RED/CLR SPKR OXYGEN-FREE CPR
- 701912 WIRE, 16/2 GRN/CLR SPKR OXYGEN-FREE CPR
- 15 1757933 ANTENNA, SHAKESPEARE SATELLITE RADIO ANTENNA
- (SIRIUS SATELLITE RADIO)
- 1768304 STEREO, SIRIUS SATELLITE RCVR SIRCL1-1YR
- (SIRIUS SATELLITE RADIO)
- 1766115 PACKET, SIRIUS WELCOME KIT
- (SIRIUS SATELLITE RADIO)
- 1766168 DECAL, SIRIUS IT'S ON
- (SIRIUS SATELLITE RADIO)
- 16 1450147 ANTENNA, DSS TRAC VISION 4
- (DSS SATELLITE TELEVISION SYSTEM)
- 1457183 SATELLITE, PANEL TRACVISION SW/CNTRL W/DATAPRT
- 1762655 ANTENNA, RADOME DSS TRAC VISION 4
- 1762656 ANTENNA, DSS TRAC VISION 4 CPU
- 1762657 ANTENNA, DSS TRAC VISION 4 RF DETECTOR PCB
- 1762658 ANTENNA, DSS TRAC VISION 4 GYRO SENSOR
- 1762659 ANTENNA, DSS TRAC VISION 4 NORTH AMER SYS LNB
- 1762660 ANTENNA, DSS TRAC VISION 4 DATA CBL
- 1762661 ANTENNA, DSS TRAC VISION 4 POWER CBL
- 1762662 ANTENNA, DSS TRAC VISION 4 RF CBL
- 1762663 ANTENNA, DSS TRAC VISION 4 CPU FUSE
- 1643097 BRACKET, ALUM DSS DOME MOUNT 550DA-02

EXTERIOR (HARDTOP)



## EXTERIOR (HARDTOP)

1	1784356	420DA 05,HARDTOP,FBRGLS	22	1766115	PACKET, SIRIUS WELCOME KIT (SIRIUS SATELLITE RADIO)
	1755059	BRACE, 420DA-03 HARDTOP STRUCTURE		1766168	DECAL, SIRIUS IT'S ON (SIRIUS SATELLITE RADIO)
2	1777084	ANTENNA, 8'PREMIUM VHF ANTENNA W/CONN	23	1450147	ANTENNA, DSS TRAC VISION 4 (DSS SATELLITE TELEVISION SYSTEM)
	1274570	ANTENNA, 8' SHAKESPEARE 5225 GLXY W/CP CONN (SATELLITE INTERFACE FOR SEA RAY NAV II)		1457183	SATELLITE, PANEL TRACVISION SW/CNTRL W/DATAPRT
	115311	MOUNT, RATCHET VHF 4-WAY W/1"-14 MALE THD SS		1762655	ANTENNA, RADOME DSS TRAC VISION 4
	122853	FITTING, WATER TIGHT OUTLET FOR 5/16" CABLE		1762656	ANTENNA, DSS TRAC VISION 4 CPU
3	1241850	PANEL, PLEX 550DA/560DB-02 RADAR ACCESS PLN B		1762657	ANTENNA, DSS TRAC VISION 4 RF DETECTOR PCB
4	1757396	SUPPORT, 420DA-04 RATCHET LIGHT MAST W/HT		1762658	ANTENNA, DSS TRAC VISION 4 GYRO SENSOR
	707158	LIGHT, NAV MASTHEAD COMBO WHT 4"		1762659	ANTENNA, DSS TRAC VISION 4 NORTH AMER SYS LNB
	1543750	LIGHT, NAV MASTHEAD ANCHOR 26" (HARDTOP & C120 RADAR)		1762660	ANTENNA, DSS TRAC VISION 4 DATA CBL
	659466	BULB, DBL END CLEAR 12V (HARDTOP & C120 RADAR)		1762661	ANTENNA, DSS TRAC VISION 4 POWER CBL
5	1478957	GPS, RAYNAV 300 GPS W/WAAS SENSOR		1762662	ANTENNA, DSS TRAC VISION 4 RF CBL
	1592617	GPS, RAYSTAR RS120 SENSOR SEATALK WAAS		1762663	ANTENNA, DSS TRAC VISION 4 CPU FUSE
	1800496	GPS, RAYSTAR RS125 SENSOR NMEA & SEATALK (RAYMARINE C120 (12") CHART PLOTTER / RADAR) (RAYMARINE - C80 GPS CHARTPLOTTER) (RAYMARINE C120 CHARTPLOTTER ONLY)		1643097	BRACKET, ALUM DSS DOME MOUNT 550DA-02
	1478973	FLUSH MOUNT KIT, RAYNAV 300 GPS			
	788711	MOUNT, ANTENNA DECK GPS SS			
6	1408632	RADAR, RAYTHEON 5S 48" ARRAY (RAYMARINE C120 (12") CHART PLOTTER / RADAR)			
	1772723	RADAR, RAYTHEON 5S 4KW PEDESTAL (RAYMARINE C120 (12") CHART PLOTTER / RADAR)			
	1772725	RADAR, CABLE 15 METER STD PEDESTAL CABLE (RAYMARINE C120 (12") CHART PLOTTER / RADAR)			
	1451020	SHIM, HDPE 1"X 1" 5/16"X 9" RADAR-R-80 (RAYMARINE C120 (12") CHART PLOTTER / RADAR)			
7	1592617	GPS, RAYSTAR RS120 SENSOR SEATALK WAAS (RAYMARINE C120 (12") CHART PLOTTER / RADAR)			
	1539204	BRACKET, 1/8"X 3.5"X 5" ANTENNA MOUNT (RAYMARINE C120 (12") CHART PLOTTER / RADAR)			
8	792325	ANTENNA, TV GLOMAX ASSY W/CONN			
	1803748	MOUNT, ANTENNA TV GLOMAX ASSY W/CONN			
9	1776804	HATCH, DECK 20X20 ULTRA II NO CLP W/SNSHD SCW (HULL#504->UP) (NOTE: ORDER DIRECT FROM TAYLOR)			
	1758295	HATCH, DECK 20X20 ULTRA II NO CLP W/SNSHD ADH (HULL#501->503) (NOTE: ORDER DIRECT FROM TAYLOR)			
	1783188	HATCH, SLIDE PEG (NOTE: ORDER DIRECT FROM TAYLOR)			
	1783203	HATCH, RING (NOTE: ORDER DIRECT FROM TAYLOR)			
	1783204	HATCH, COVER (NOTE: ORDER DIRECT FROM TAYLOR)			
	1783205	HATCH, PLEX SHADE (NOTE: ORDER DIRECT FROM TAYLOR)			
	718080	TRIM RING, HATCH 20X20 1"LIP WHTPC (NOTE: ORDER DIRECT FROM TAYLOR)			
	1174614	GASKET, DECK HATCH 20X20			
10	632794	HATCH, ALL HATCH SIZES MUSHROOM OR POST (NOTE: ORDER DIRECT FROM TAYLOR)			
11	632778	HATCH, O-RING (NOTE: ORDER DIRECT FROM TAYLOR)			
12	701466	HATCH, ARM UNIV PIVOT ALL SIZES (NOTE: ORDER DIRECT FROM TAYLOR)			
	701458	HATCH, DECK KNOB ULTRA 92/93 (NOTE: ORDER DIRECT FROM TAYLOR)			
	800862	ARM, DECK HATCH TELESCOPE SHORT BDY BLK PLAS (NOTE: ORDER DIRECT FROM TAYLOR)			
	800870	ARM, DECK HATCH TELESCOPE ULTRA BDY BLK PLAS (NOTE: ORDER DIRECT FROM TAYLOR)			
13	802819	HATCH, ALL HATCH SIZES PIVOT LATCH ADAPTER (NOTE: ORDER DIRECT FROM TAYLOR)			
14	802827	HATCH, HATCH HANDLE (NOTE: ORDER DIRECT FROM TAYLOR)			
15	802801	HANDLE, DECK HATCH LATCHING (NOTE: ORDER DIRECT FROM TAYLOR)			
16	686360	HATCH, SCREW 1/4" GLASS OR PLEX 89-93 (NOTE: ORDER DIRECT FROM TAYLOR)			
17	1443225	EMBLEM, S/R WAVE 8" OVAL CHR TRNSM			
18	1738176	RAIL, GRAB 420DA-03 ARCH PRT			
	1743096	RAIL, GRAB 420DA-03 ARCH STB			
19	137380	LIGHT, NAV STERN FLUSH MT CKPT			
	1200369	BULB, REPL FOR #0137380/#0783670			
20	1241850	PANEL, PLEX 550DA/560DB-02 RADAR ACCESS PLN B			
21	1690555	SPEAKER, COAXIAL 6.5" W/WHT CVR			
	1690558	GRILL, SPEAKER 6.5" ACOM WHT			
	701904	WIRE, 16/2 RED/CLR SPKR OXYGEN-FREE CPR			
	701912	WIRE, 16/2 GRN/CLR SPKR OXYGEN-FREE CPR			
22	1757933	ANTENNA, SHAKESPEARE SATELLITE RADIO ANTENNA (SIRIUS SATELLITE RADIO)			
	1768304	STEREO, SIRIUS SATELLITE RCVR SIRCL1-1YR (SIRIUS SATELLITE RADIO)			

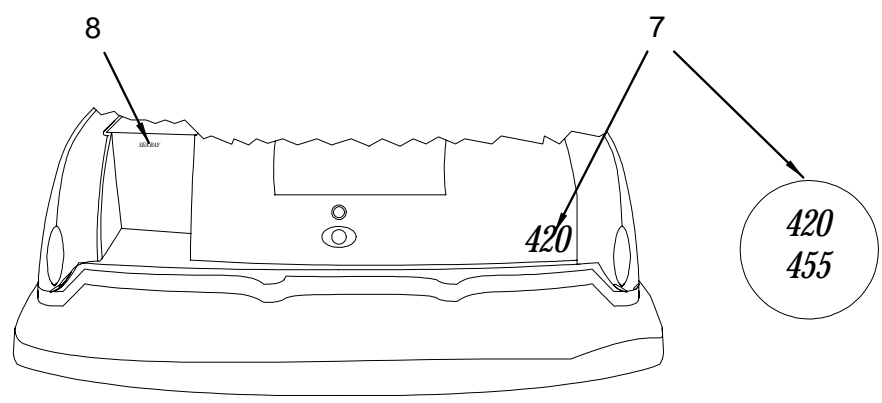
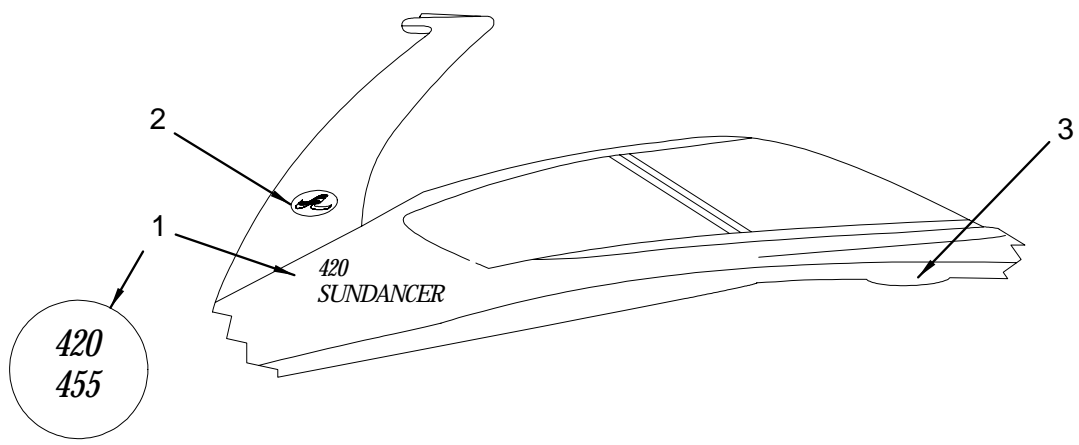
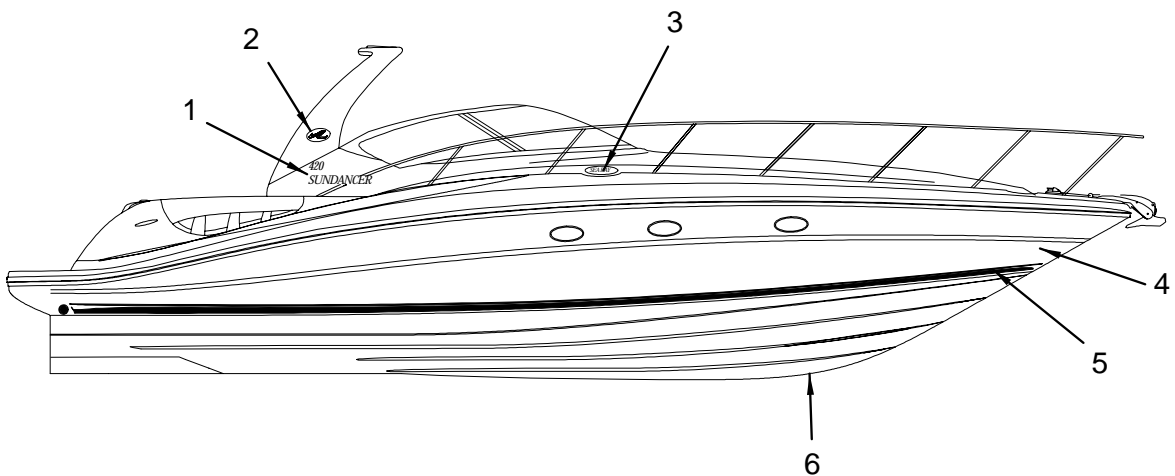
## LABELS

1765879 LABEL, DANGER DO NOT CLIMB/STORE ON HARDTOP

## NOT SHOWN

1734475 BODY, ROCK SW DPDT BLK 12V INCAND  
188060 EMBLEM, "SEA RAY" SCRIPT CHROME 5"  
1310838 GEL COAT, ARCTIC WHT (TOTES)  
1754363 SUPPORT, 420DA HARDTOP  
1690169 TRACK, VINYL AWNING WHT "FLEX-A-RAIL" 20"

EXTERIOR (GRAPHICS)





**EXTERIOR (GRAPHICS)**

- 1 1738687 EMBLEM, MODEL DESG 420 UTLMET/LTANT/BLK
- 1738688 EMBLEM, MODEL DESG 455 UTLMET/LTANT/BLK  
(**"455DA" MODEL DESIGNATORS**)  
(**INTERNATIONAL ONLY**)
- 2 1443225 EMBLEM, S/R WAVE 8" OVAL CHR TRNSM
- 3 1443183 EMBLEM, "SEA RAY" SCRIPT HULL LOGO CHR 13"
- 4 1310838 GEL COAT, ARCTIC WHT (TOTES)
- 1687628 GEL COAT, MAXGUARD MIDNIGHT BLUE  
(**HULL GEL-COATED BLUE W/ WHITE BOOT STRIPES**)
- 5 1737792 TAPE, M/S 5" W/3.5"BLK 3/4"VOID 3/4"LT ANT
- 1686538 TAPE, M/S 5"W/3/4"VOID BLUE/WELLAMETHYST  
(**CAPTAIN'S NAVY CANVAS**)
- 1758426 TAPE, TAPER STB 420DA-03 WHT/SLVR 44'  
(**HULL GEL-COATED BLUE W/ WHITE BOOT STRIPES**)
- 1758427 TAPE, TAPER PRT 420DA-03 WHT/SLVR 44'  
(**HULL GEL-COATED BLUE W/ WHITE BOOT STRIPES**)
- 1790430 TAPE, M/S 4.5" W/3/4" VOID, BLK/PRLMET  
(**HULL GEL-COATED PEWTER W/ BLACK BOOT STRIPE**)
- 6 1355338 PAINT, BOTTOM BLACK HYDROCOAT
- 1271147 PAINT, PRIMER METAL #6627
- 868893 PAINT, PRIMER SANDLESS #6999
- 868901 THINNER, BOTTOM PAINT
- 7 1741006 TAPE, MODEL NUMERATOR 420 LT ANT/BLK
- 1738916 EMBLEM, MODEL DESG 455 LTANT/BLK  
(**"455DA" MODEL DESIGNATORS**)  
(**INTERNATIONAL OPTION**)
- 8 188060 EMBLEM, "SEA RAY" SCRIPT CHROME 5"

**GELCOATS**

- 556944 GEL COAT, ANTIQUE WHT (SUMMER) ISO NPG  
(**SMALL PARTS**)
- 894790 GEL COAT, BONE SNDSTN BACKCOAT  
(**SMALL PARTS**)
- 1786550 GEL COAT, NICKLE ARMORCOTE 55GAL  
(**SMALL PARTS**)
- 1719535 GEL COAT, BILGE OYSTER LOW EMISSION
- 1688709 GEL COAT, BLK ORTHO
- 1736635 GEL COAT, WEBBING GRY
- 1757954 GEL COAT, SHADE 3 OF NIGHT ARMORCOTE
- 1761026 GEL COAT, MIDNIGHT BLUE W/PATCHAID 5GAL  
(**HULL GEL-COATED BLUE W/ WHITE BOOT STRIPES**)
- 1796295 GEL COAT, NEW PEWTER VALSPAR  
(**HULL GEL-COATED PEWTER W/ BLACK BOOT STRIPE**)

**VAC PACK**

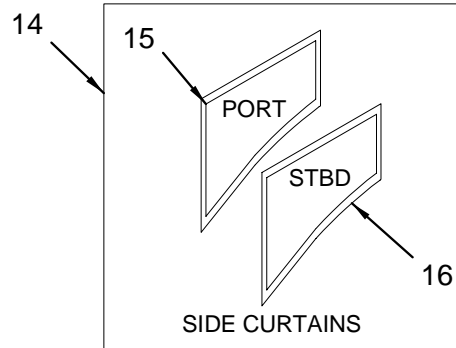
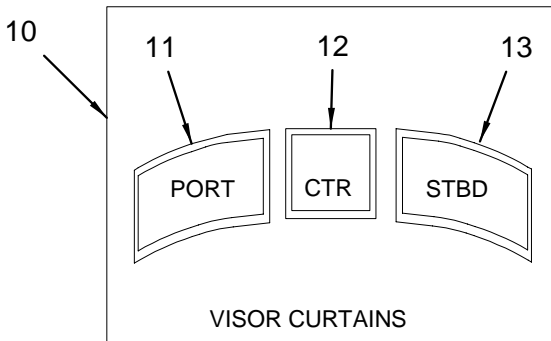
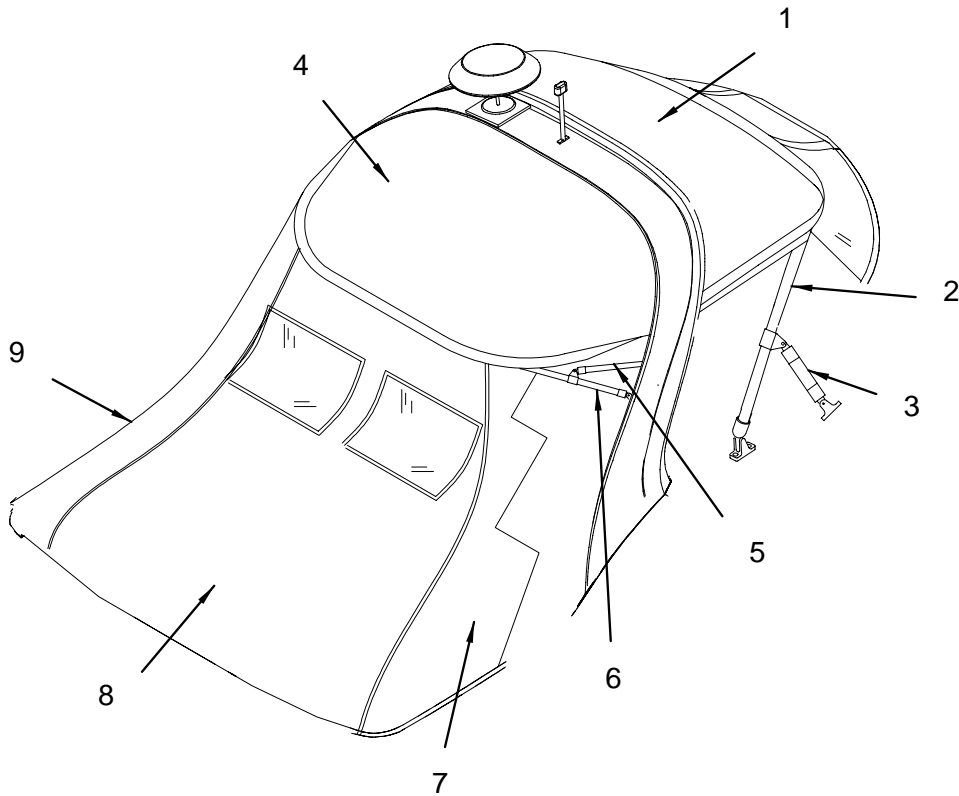
- 1727510 EMBLEM, VACPAC SR LOGO W/ISO/CE LRG
- 1458918 LABEL, "LOADED BY"
- 1691151 TAPE, VAC PAK WHT (4"X 180') FLAME RETARDANT
- 1583129 VINYL FILM, PLAS .030"X 55"X 111"
- 1719184 VINYL FILM, VAC PACK 8.5MM X 30'X 260'
- 524868 VINYL FILM, VAC PACK ZIPPER DOOR 30"X 48"WHT

**NOT SHOWN**

- 612259 TAPE, SOLID 1/4" CHARCOAL MET CPM F/R  
(**USED ON DASH**)

CANVAS (TOAST)

BIMINI/SUNSHADE/SPOILER



CANVAS HARDWARE

END CAP	JAW SLIDE	PULL PIN	PULL PIN	RADIUS HINGE	SLIDE	STRAIGHT HINGE	SHOCK CORD CLIP	PLASTIC PULL TAB
17	18	19	20	21	22	23	LACING KNOB	24

## CANVAS (TOAST)

1	1784401	420DA 05,CANVAS,BIM TOP TST (BIMINI TOP ONLY DOES NOT INCLUDE HARDWARE)
	1738698	CANVAS, 420DA-03 CONV/BIM TOP BOWS W/HDWR
2	1740172	CANVAS, 420DA-03 BIM TOP MAIN BOW W/HDWR
3	1740170	CANVAS, 410DA-03 BIM TOP FWD STANCH
	1740171	CANVAS, 420DA-03 BIM FWD STANCH HDWR KIT
4	1784397	420DA 05,CANVAS,SNSHD CMPLT TST (SUNSHADE ONLY DOES NOT INCLUDE HARDWARE)
	1784649	420DA 05,CANVAS,H/T SNSHD VAL TST
	1738699	CANVAS, 420DA-03 SUNSHADE BOWS W/HDWR
5	1740173	CANVAS, 420DA-03 AFT SNSHADE FWD STANCH
6	1740169	CANVAS, 420DA-03 AFT SNSHADE MAIN BOW W/HDWR
7	1784377	420DA 05,CANVAS,AFT CURT STB TST
	1784653	420DA 05,CANVAS,H/T AFT CURT STB TST
	1470327	LABEL, CANVAS STBD-AFT CURTAIN
8	1784389	420DA 05,CANVAS,AFT CURT CTR TST
	1784657	420DA 05,CANVAS,H/T AFT CURT CTR TST
	1470335	LABEL, CANVAS CENTER-AFT CURTAIN
9	1784393	420DA 05,CANVAS,AFT CURT PRT TST
	1784661	420DA 05,CANVAS,H/T AFT CURT PRT TST
	1470319	LABEL, CANVAS PORT-AFT CURTAIN
10	1784847	420DA 05,CANVAS,FRNT VSR CMPLT CLR/TST (PORT/CTR/STBD VISOR W SNAPS BAGGED SEPARATELY)
	1784852	420DA 05,CANVAS,HT FRNT VSR CMPLT CLR/TST (PORT/CTR/STBD VISOR W SNAPS BAGGED SEPARATELY)
11	1784381	420DA 05,CANVAS,FRONT VSR PRT TST
	1784634	420DA 05,CANVAS,H/T FRONT VSR PRT TST
	1470277	LABEL, CANVAS PORT WINDSCREEN
12	1784365	420DA 05,CANVAS,FRONT VSR CTR TST
	1784630	420DA 05,CANVAS,H/T FRONT VSR CTR TST
	1470228	LABEL, CANVAS CENTER WINDSCREEN
13	1784369	420DA 05,CANVAS,FRONT VSR STB TST
	1784409	420DA 05,CANVAS,H/T FRONT VSR STB TST
	1470285	LABEL, CANVAS STBD WINDSCREEN
14	1784855	420DA 05,CANVAS,SIDE CURT CMPLT TST (PORT/STBD SIDE CURTAINS WITH SNAPS BAGGED SEPARATELY)
	1784860	420DA 05,CANVAS,HT SIDE CURT CMPLT TST (PORT/STBD SIDE CURTAINS WITH SNAPS BAGGED SEPARATELY)
15	1784385	420DA 05,CANVAS,SIDE CURT PRT TST
	1784638	420DA 05,CANVAS,H/T SIDE CURT PRT TST
	1470301	LABEL, CANVAS PORT SIDE CURTAIN
16	1784373	420DA 05,CANVAS,SIDE CURT STB TST
	1784405	420DA 05,CANVAS,H/T SIDE CURT STB TST
	1470293	LABEL, CANVAS STBD SIDE CURTAIN
17	175059	CAP, RAIL END W/EYE 1" SS (CONV TOP)
18	175042	SLIDE, JAW SLIDE W/BOLT 1" SS (CONV TOP)
19	1357854	PIN, PULL 1.25" TOGGLE W/RING LNYRD SPRING SS
20	464115	LANYARD, 6" W/TAB
21	174961	HINGE, DECK W/10DEG ANGLE SS CONV TOP
22	1536051	SLIDE, W/S CANVAS TRACK PORT
	1536069	SLIDE, W/S CANVAS TRACK STBD
	1738744	KNOB, W/S CANVAS TRACK PRT & STB
23	663393	HINGE, DECK, ANGLE W/PULL PIN HOLE
	775080	HINGE, DECK SIDE-MOUNT SS CONV TOP (MOUNTED ON INSIDE SPOILER)
24	1628791	KNOB, PLAS WHT SHOCKCORD/CLIP
	1628817	CLIP, SHOCKCORD/CVR BLK

## CANVAS

1180025	CANVAS, SUNBRELLA TOAST TWEED 60"
1180033	CANVAS, SEAMARK TOAST TWEED 60" W/BC

## CANVAS PACKAGE

1784361	420DA 05,CANVAS,PKG CMPLT N/BOWS TST (CONSISTS OF BIM TOP/VISOR/SUNSHADE/SIDE CURTAINS/AFT CURTAINS/BOWS)
---------	--

## DASH COVER

1784675	420DA 05,CANVAS,DASH CVR TST
1256932	BINDING, CANVAS 7/8" TOAST TWEED SUNBRELLA
1180025	CANVAS, SUNBRELLA TOAST TWEED 60"
1735576	LABEL, CANVAS 420DA-03
1574771	SNAP BUTTON, W/1/4" BARREL BLK
779041	SNAP SOCKET, HARD ACTION
154369	SNAP STUD, W/#8 X 3/8" PH SS
156893	WEBBING, POLYPROPYLENE 1" BLACK

## INTERIOR CARPET RUNNER

1784861	420DA 05,CANVAS,INT CARPET RNR CMPLT
---------	--------------------------------------

## LABELS

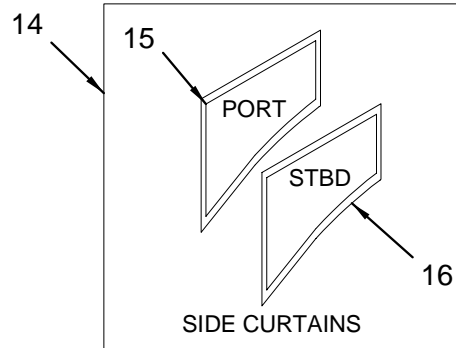
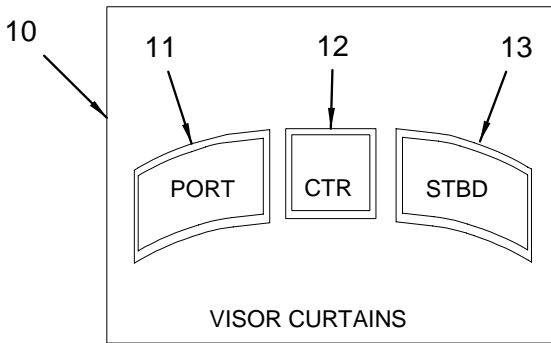
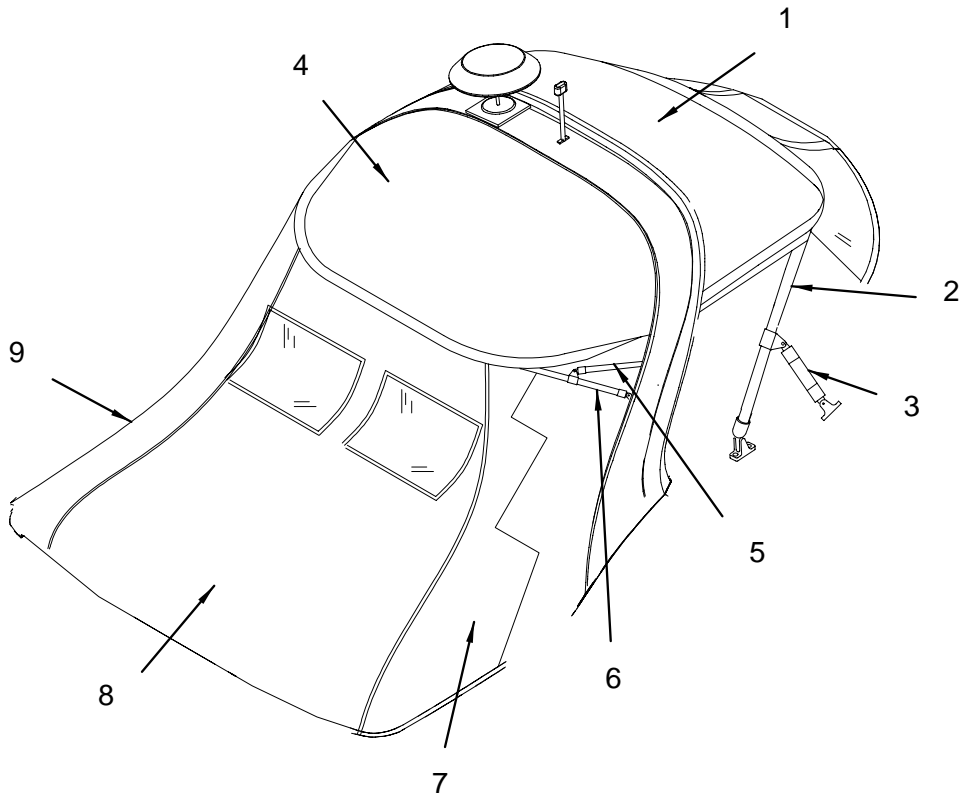
1735576	LABEL, CANVAS 420DA-03
1470335	LABEL, CANVAS CENTER-AFT CURTAIN
1470228	LABEL, CANVAS CENTER WINDSCREEN
1470319	LABEL, CANVAS PORT-AFT CURTAIN
1470301	LABEL, CANVAS PORT SIDE CURTAIN
1470277	LABEL, CANVAS PORT WINDSCREEN
1470327	LABEL, CANVAS STBD-AFT CURTAIN
1470293	LABEL, CANVAS STBD SIDE CURTAIN
1470285	LABEL, CANVAS STBD WINDSCREEN
1745520	LABEL, DANGER CO FUMES W/CANVAS
706820	LABEL, VERILON VINYL
1738706	TAG, CANVAS TOP WARN BOAT UNDERWAY U/V RES
889758	TAG, CO DANGER (CANVAS)
1740437	TAG, WARN S/S NOT TO BE USED 45MPH U/V RES

## NOT SHOWN

1799025	420DA 05,CANVAS,HT PKG CMPLT N/BOWS TST (PKG INCLUDES: VISOR, SIDE CURTAINS, AFT CURTAIN, SUNSHADE VAL)
1218205	BINDING, CANVAS 1" TOAST TWEED SNBRLA
1256932	BINDING, CANVAS 7/8" TOAST TWEED SUNBRELLA
1271634	CANVAS, SLIT 4" TOAST TWEED #2389
1422526	ZIPPER, #10 YKK 30" SEP/CONT BLK SINGLE SLIDE
178194	ZIPPER, #10 YKK 42" SEPARATED CONT BLK (HULL#529)
1422559	ZIPPER, #10 YKK 48" SEP/CONT BLK SINGLE SLIDE
1422567	ZIPPER, #10 YKK 54" CONT BLK SINGLE SLIDE
1422575	ZIPPER, #10 YKK 60" CONT BLK SINGLE SLIDE
1526284	STANDOFF, 01 INCLOSURE GLASS 1" WHT (HULL#501->699)
154369	SNAP STUD, W/#8 X 3/8" PH SS
154377	SNAP STUD, W/#8 X 5/8" PH SS
154476	SNAP STUD, DBL COMBO
156893	WEBBING, POLYPROPYLENE 1" BLACK
1574771	SNAP BUTTON, W/1/4" BARREL BLK
1690169	TRACK, VINYL AWNING WHT "FLEX-A-RAIL" 20"
1788686	WELT, POLYESTER/NYLON BLK .78-.78 (HULL#541->UP)
1784010	WELT, POLYESTER/NYLON BLK (HULL#510->540)
1738679	WELT, POLYESTER/NYLON WHT (HULL#501->509)
1742712	UPH PARTS, FOAM EDGE 1/2"X 2.25" #X-2199
1751341	STOP, ZIPPER TOP/STOP SS
1764535	VELCRO, HOOK BLK 2" SEW ON
1764808	VELCRO, LOOP BLK 2" SEW-ON
1764809	VELCRO, LOOP BLK 1"
1764810	VELCRO, HOOK BLK 1" SEW ON
177899	ZIPPER, #10 DELRIN CONTINUOUS BLK
1422518	ZIPPER, #10 YKK 24" SEP/CONT BLK SINGLE SLIDE (HULL#529->UP)
177907	ZIPPER, #10 YKK 24" SEPARATED CONT BLK (HULL#501->558)
178269	ZIPPER, #10 YKK 84" SEPARATED CONT BLK
178277	ZIPPER, #10 YKK 90" SEPARATED CONT BLK
596700	TAPE, SEAM DBL FACE ADH 1/2" X 72YDS
773226	ROPE, NYLON 1/8" BLACK BRAIDED
779041	SNAP SOCKET, HARD ACTION
874610	THREAD, POLYESTER FGREY 16OZ
1422542	ZIPPER, #10 YKK 42" SEP/CONT BLK SINGLE SLIDE
1422591	ZIPPER, #10 YKK 72" CONT BLK SINGLE SLIDE

CANVAS (BLUE)

BIMINI/SUNSHADE/SPOILER



CANVAS HARDWARE

END CAP	JAW SLIDE	PULL PIN	PULL PIN	RADIUS HINGE	SLIDE	STRAIGHT HINGE	SHOCK CORD CLIP	PLASTIC PULL TAB
17	18	19	20	21	22	23	LACING KNOB	24

## CANVAS (BLUE)

- 1 1784404 420DA 05,CANVAS,BIM TOP CAPT NVY  
(BIMINI TOP ONLY DOES NOT INCLUDE HARDWARE)  
1738698 CANVAS, 420DA-03 CONV/BIM TOP BOWS W/HDWR
- 2 1740172 CANVAS, 420DA-03 BIM TOP MAIN BOW W/HDWR
- 3 1740170 CANVAS, 410DA-03 BIM TOP FWD STANCH  
1740171 CANVAS, 420DA-03 BIM FWD STANCH HDWR KIT
- 4 1784400 420DA 05,CANVAS,SNSHD CMPLT CAPT NVY  
(SUNSHADE ONLY DOES NOT INCLUDE HARDWARE)  
1784652 420DA 05,CANVAS,H/T SNSHD VAL CAPT NVY  
1738699 CANVAS, 420DA-03 SUNSHADE BOWS W/HDWR
- 5 1740173 CANVAS, 420DA-03 AFT SNSHADE FWD STANCH
- 6 1740169 CANVAS, 420DA-03 AFT SNSHADE MAIN BOW W/HDWR
- 7 1784380 420DA 05,CANVAS,AFT CURT STB CAPT NVY  
1784656 420DA 05,CANVAS,H/T AFT CURT STB CAPT NVY  
1470327 LABEL, CANVAS STBD-AFT CURTAIN
- 8 1784392 420DA 05,CANVAS,AFT CURT CTR CAPT NVY  
1784660 420DA 05,CANVAS,H/T AFT CURT CTR CAPT NVY  
1470335 LABEL, CANVAS CENTER-AFT CURTAIN
- 9 1784396 420DA 05,CANVAS,AFT CURT PRT CAPT NVY  
1784664 420DA 05,CANVAS,H/T AFT CURT PRT CAPT NVY  
1470319 LABEL, CANVAS PORT-AFT CURTAIN
- 10 1784845 420DA 05,CANVAS,FRNT VSR CMPLT CLR/CAPT NVY  
(PORT/CTR/STBD VISOR W SNAPS BAGGED SEPARATELY)  
1784850 420DA 05,CANVAS,HT FRNT VSR CMPLT CLR/CAP NVY  
(PORT/CTR/STBD VISOR W SNAPS BAGGED SEPARATELY)
- 11 1784384 420DA 05,CANVAS,FRONT VSR PRT CAPT NVY  
1784637 420DA 05,CANVAS,H/T FRONT VSR PRT CAPT NVY  
1470277 LABEL, CANVAS PORT WINDSCREEN
- 12 1784368 420DA 05,CANVAS,FRONT VSR CTR CAPT NVY  
1784633 420DA 05,CANVAS,H/T FRONT VSR CTR CAPT NVY  
1470228 LABEL, CANVAS CENTER WINDSCREEN
- 13 1784372 420DA 05,CANVAS,FRONT VSR STB CAPT NVY  
1784629 420DA 05,CANVAS,H/T FRONT VSR STB CAPT NVY  
1470285 LABEL, CANVAS STBD WINDSCREEN
- 14 1784853 420DA 05,CANVAS,SIDE CURT CMPLT CAPT NVY  
(PORT/STBD SIDE CURTAINS WITH SNAPS BAGGED SEPARATELY)  
1784858 420DA 05,CANVAS,HT SIDE CURT CMPLT CAPT NVY  
(PORT/STBD SIDE CURTAINS WITH SNAPS BAGGED SEPARATELY)
- 15 1784388 420DA 05,CANVAS,SIDE CURT PRT CAPT NVY  
1784648 420DA 05,CANVAS,H/T SIDE CURT PRT CAPT NVY  
1470301 LABEL, CANVAS PORT SIDE CURTAIN
- 16 1784376 420DA 05,CANVAS,SIDE CURT STB CAPT NVY  
1784408 420DA 05,CANVAS,H/T SIDE CURT STB CAPT NVY  
1470293 LABEL, CANVAS STBD SIDE CURTAIN
- 17 175059 CAP, RAIL END W/EYE 1" SS (CONV TOP)
- 18 175042 SLIDE, JAW SLIDE W/BOLT 1" SS (CONV TOP)
- 19 1357854 PIN, PULL 1.25" TOGGLE W/RING LNYRD SPRING SS
- 20 464115 LANYARD, 6" W/TAB
- 21 174961 HINGE, DECK W/10DEG ANGLE SS CONV TOP
- 22 1536051 SLIDE, W/S CANVAS TRACK PORT  
1536069 SLIDE, W/S CANVAS TRACK STBD  
1738744 KNOB, W/S CANVAS TRACK PRT & STB
- 23 663393 HINGE, DECK, ANGLE W/PULL PIN HOLE  
775080 HINGE, DECK SIDE-MOUNT SS CONV TOP  
(MOUNTED ON INSIDE SPOILER)
- 24 1628791 KNOB, PLAS WHT SHOCKCORD/CLIP  
1628817 CLIP, SHOCKCORD/CVR BLK

## CANVAS

- 1630698 CANVAS, SEAMARK CAPTAIN'S NAVY 60"W/BC  
1630722 CANVAS, SUNBRELLA CAPT NAVY 60" #6046

## CANVAS PACKAGE

- 1784364 420DA 05,CANVAS,PKG CMPLT N/BOWS CAPT NVY  
(CONSISTS OF BIM TOP/VISOR/SUNSHADE/SIDE CURTAINS/AFT CURTAINS/BOWS)

## DASH COVER

- 1784678 420DA 05,CANVAS,DASH CVR CAPT NVY  
1634351 BINDING, CANVAS 7/8" CAPTAIN NAVY SUNBRELLA  
1630722 CANVAS, SUNBRELLA CAPT NAVY 60" #6046  
1735576 LABEL, CANVAS 420DA-03  
1574771 SNAP BUTTON, W/1/4" BARREL BLK  
779041 SNAP SOCKET, HARD ACTION  
154369 SNAP STUD, W/#8 X 3/8" PH SS  
156893 WEBBING, POLYPROPYLENE 1" BLACK

## INTERIOR CARPET RUNNER

- 1784861 420DA 05,CANVAS,INT CARPET RNR CMPLT

## LABELS

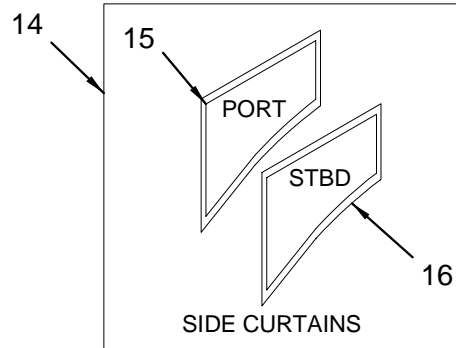
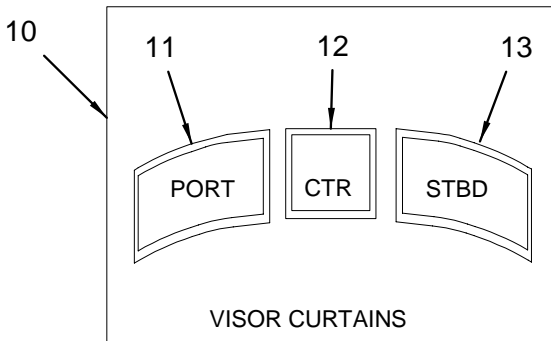
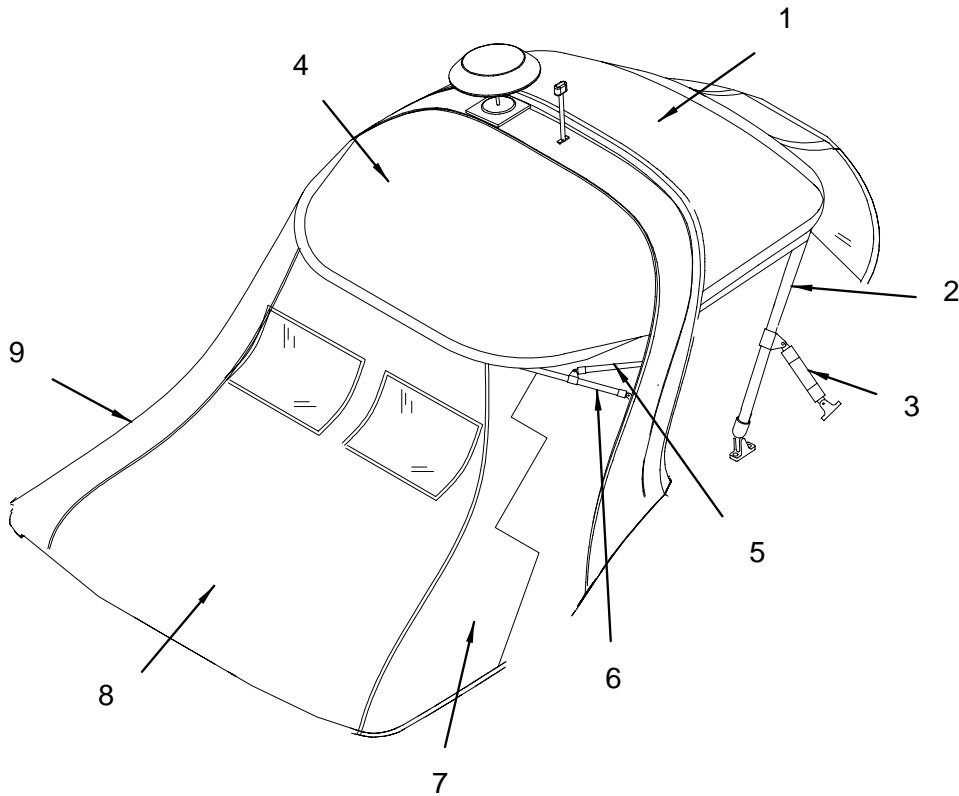
- 1735576 LABEL, CANVAS 420DA-03  
1470335 LABEL, CANVAS CENTER-AFT CURTAIN  
1470228 LABEL, CANVAS CENTER WINDSCREEN  
1470319 LABEL, CANVAS PORT-AFT CURTAIN  
1470301 LABEL, CANVAS PORT SIDE CURTAIN  
1470277 LABEL, CANVAS PORT WINDSCREEN  
1470327 LABEL, CANVAS STBD-AFT CURTAIN  
1470293 LABEL, CANVAS STBD SIDE CURTAIN  
1470285 LABEL, CANVAS STBD WINDSCREEN  
1745520 LABEL, DANGER CO FUMES W/CANVAS  
706820 LABEL, VERILON VINYL  
1738706 TAG, CANVAS TOP WARN BOAT UNDERWAY U/V RES  
889758 TAG, CO DANGER (CANVAS)  
1740437 TAG, WARN S/S NOT TO BE USED 45MPH U/V RES

## NOT SHOWN

- 1799026 420DA 05,CANVAS,HT PKG CMPLT N/BOWS BLUE  
(PKG INCLUDES: VISOR, SIDE CURTAINS, AFT CURTAIN, SUNSHADE VAL)  
1422526 ZIPPER, #10 YKK 30" SEP/CONT BLK SINGLE SLIDE  
1422534 ZIPPER, #10 YKK 36" SEP/CONT BLK SINGLE SLIDE  
178194 ZIPPER, #10 YKK 42" SEPARATED CONT BLK  
(HULL#529)  
1422559 ZIPPER, #10 YKK 48" SEP/CONT BLK SINGLE SLIDE  
1422567 ZIPPER, #10 YKK 54" CONT BLK SINGLE SLIDE  
1422575 ZIPPER, #10 YKK 60" CONT BLK SINGLE SLIDE  
1526284 STANDOFF, 01 INCLOSURE GLASS 1" WHT  
(HULL#501->699)  
154369 SNAP STUD, W/#8 X 3/8" PH SS  
154377 SNAP STUD, W/#8 X 5/8" PH SS  
154476 SNAP STUD, DBL COMBO  
156893 WEBBING, POLYPROPYLENE 1" BLACK  
1574771 SNAP BUTTON, W/1/4" BARREL BLK  
1630755 CANVAS, SLIT 4" CAPTAIN'S NAVY #6046  
1634351 BINDING, CANVAS 7/8" CAPTAIN NAVY SUNBRELLA  
1690169 TRACK, VINYL AWNING WHT "FLEX-A-RAIL" 20"  
1742712 UPH PARTS, FOAM EDGE 1/2"X 2.25" #X-2199  
1788686 WELT, POLYESTER/NYLON BLK .78-.78  
(HULL#541->UP)  
1784010 WELT, POLYESTER/NYLON BLK  
(HULL#510->540)  
1738679 WELT, POLYESTER/NYLON WHT  
(HULL#501->509)  
1751341 STOP, ZIPPER TOP/STOP SS  
1764535 VELCRO, HOOK BLK 2" SEW ON  
1764808 VELCRO, LOOP BLK 2" SEW-ON  
1764809 VELCRO, LOOP BLK 1"  
1764810 VELCRO, HOOK BLK 1" SEW ON  
177576 THREAD, POLYESTER BLK 160Z  
177899 ZIPPER, #10 DELRIN CONTINUOUS BLK  
1422518 ZIPPER, #10 YKK 24" SEP/CONT BLK SINGLE SLIDE  
(HULL#529->UP)  
177907 ZIPPER, #10 YKK 24" SEPARATED CONT BLK  
(HULL#501->558)  
178269 ZIPPER, #10 YKK 84" SEPARATED CONT BLK  
178277 ZIPPER, #10 YKK 90" SEPARATED CONT BLK  
596700 TAPE, SEAM DBL FACE ADH 1/2" X 72YDS  
773226 ROPE, NYLON 1/8" BLACK BRAIDED  
774513 VINYL FILM, PLAS .040"X 1.25"X 30YD  
1422542 ZIPPER, #10 YKK 42" SEP/CONT BLK SINGLE SLIDE  
779041 SNAP SOCKET, HARD ACTION  
1422591 ZIPPER, #10 YKK 72" CONT BLK SINGLE SLIDE

CANVAS (GREEN)

BIMINI/SUNSHADE/SPOILER



CANVAS HARDWARE

END CAP	JAW SLIDE	PULL PIN	PULL PIN	RADIUS HINGE	SLIDE	STRAIGHT HINGE	SHOCK CORD CLIP	PLASTIC PULL TAB
17	18	19	20	21	22	23	LACING KNOB	24

## CANVAS (GREEN)

1	1784402	420DA 05,CANVAS,BIM TOP HNTR (BIMINI TOP ONLY DOES NOT INCLUDE HARDWARE)
	1738698	CANVAS, 420DA-03 CONV/BIM TOP BOWS W/HDWR
2	1740172	CANVAS, 420DA-03 BIM TOP MAIN BOW W/HDWR
3	1740170	CANVAS, 410DA-03 BIM TOP FWD STANCH
	1740171	CANVAS, 420DA-03 BIM FWD STANCH HDWR KIT
4	1784398	420DA 05,CANVAS,SNSHD CMPLT HNTR (SUNSHADE ONLY DOES NOT INCLUDE HARDWARE)
	1784650	420DA 05,CANVAS,H/T SNSHD VAL HNTR
	1738699	CANVAS, 420DA-03 SUNSHADE BOWS W/HDWR
5	1740173	CANVAS, 420DA-03 AFT SNSHADE FWD STANCH
6	1740169	CANVAS, 420DA-03 AFT SNSHADE MAIN BOW W/HDWR
7	1784378	420DA 04,CANVAS,AFT CURT STB HNTR
	1784654	420DA 05,CANVAS,H/T AFT CURT STB HNTR
	1470327	LABEL, CANVAS STBD-AFT CURTAIN
8	1784390	420DA 05,CANVAS,AFT CURT CTR HNTR
	1784658	420DA 05,CANVAS,H/T AFT CURT CTR HNTR
	1470335	LABEL, CANVAS CENTER-AFT CURTAIN
9	1784394	420DA 05,CANVAS,AFT CURT PRT HNTR
	1784662	420DA 05,CANVAS,H/T AFT CURT PRT HNTR
	1470319	LABEL, CANVAS PORT-AFT CURTAIN
10	1784846	420DA 05,CANVAS,FRNT VSR CMPLT CLR/HNTR (PORT/CTR/STBD VISOR W SNAPS BAGGED SEPARATELY)
	1784851	420DA 05,CANVAS,HT FRNT VSR CMPLT CLR/HNTR (PORT/CTR/STBD VISOR W SNAPS BAGGED SEPARATELY)
11	1784382	420DA 05,CANVAS,FRONT VSR PRT HNTR
	1784635	420DA 05,CANVAS,H/T FRONT VSR PRT HNTR
	1470277	LABEL, CANVAS PORT WINDSCREEN
12	1784366	420DA 05,CANVAS,FRONT VSR CTR HNTR
	1784631	420DA 05,CANVAS,H/T FRONT VSR CTR HNTR
	1470228	LABEL, CANVAS CENTER WINDSCREEN
13	1784370	420DA 05,CANVAS,FRONT VSR STB HNTR
	1784410	420DA 05,CANVAS,H/T FRONT VSR STB HNTR
	1470285	LABEL, CANVAS STBD WINDSCREEN
14	1784854	420DA 05,CANVAS,SIDE CURT CMPLT HNTR (PORT/STBD SIDE CURTAINS WITH SNAPS BAGGED SEPARATELY)
	1784859	420DA 05,CANVAS,HT SIDE CURT CMPLT HNTR (PORT/STBD SIDE CURTAINS WITH SNAPS BAGGED SEPARATELY)
15	1784386	420DA 05,CANVAS,SIDE CURT PRT HNTR
	1784639	420DA 05,CANVAS,H/T SIDE CURT PRT HNTR
	1470301	LABEL, CANVAS PORT SIDE CURTAIN
16	1784374	420DA 05,CANVAS,SIDE CURT STB HNTR
	1784406	420DA 05,CANVAS,H/T SIDE CURT STB HNTR
	1470293	LABEL, CANVAS STBD SIDE CURTAIN
17	175059	CAP, RAIL END W/EYE 1" SS (CONV TOP)
18	175042	SLIDE, JAW SLIDE W/BOLT 1" SS (CONV TOP)
19	1357854	PIN, PULL 1.25" TOGGLE W/RING LNYRD SPRING SS
20	464115	LANYARD, 6" W/TAB
21	174961	HINGE, DECK W/10DEG ANGLE SS CONV TOP
22	1536051	SLIDE, W/S CANVAS TRACK PORT
	1536069	SLIDE, W/S CANVAS TRACK STBD
	1738744	KNOB, W/S CANVAS TRACK PRT & STB
23	663393	HINGE, DECK, ANGLE W/PULL PIN HOLE
	775080	HINGE, DECK SIDE-MOUNT SS CONV TOP (MOUNTED ON INSIDE SPOILER)
24	1628791	KNOB, PLAS WHT SHOCKCORD/CLIP
	1628817	CLIP, SHOCKCORD/CVR BLK

## CANVAS

1130061	CANVAS, SUNBRELLA HUNTER TWEED 60" GRN
1130079	CANVAS, SEAMARK HUNTER TWEED 60" W/BC
1180033	CANVAS, SEAMARK TOAST TWEED 60" W/BC

## CANVAS PACKAGE

1784362	420DA 05,CANVAS,PKG CMPLT N/BOWS HNTR (CONSISTS OF BIM TOP/VISOR/SUNSHADE/SIDE CURTAINS/AFT CURTAINS/BOWS)
---------	---

## DASH COVER

1784676	420DA 05,CANVAS DASH CVR HNTR
1130095	BINDING, CANVAS 7/8" HUNTER TWEED SNBRLA
1130061	CANVAS, SUNBRELLA HUNTER TWEED 60" GRN
1735576	LABEL, CANVAS 420DA-03
1574771	SNAP BUTTON, W/1/4" BARREL BLK
779041	SNAP SOCKET, HARD ACTION
154369	SNAP STUD, W/#8 X 3/8" PH SS
156893	WEBBING, POLYPROPYLENE 1" BLACK

## INTERIOR CARPET RUNNER

1784861	420DA 05,CANVAS,INT CARPET RNR CMPLT
---------	--------------------------------------

## LABELS

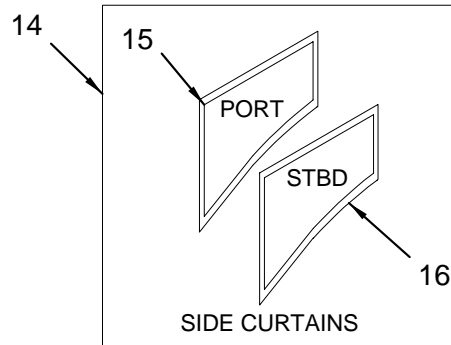
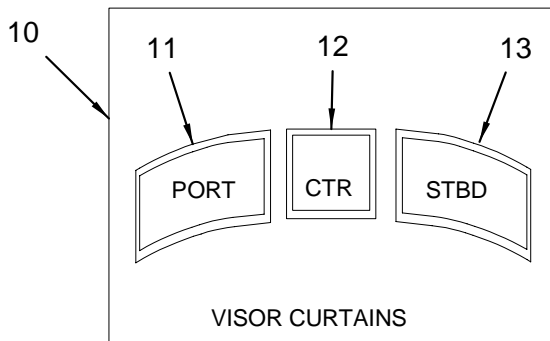
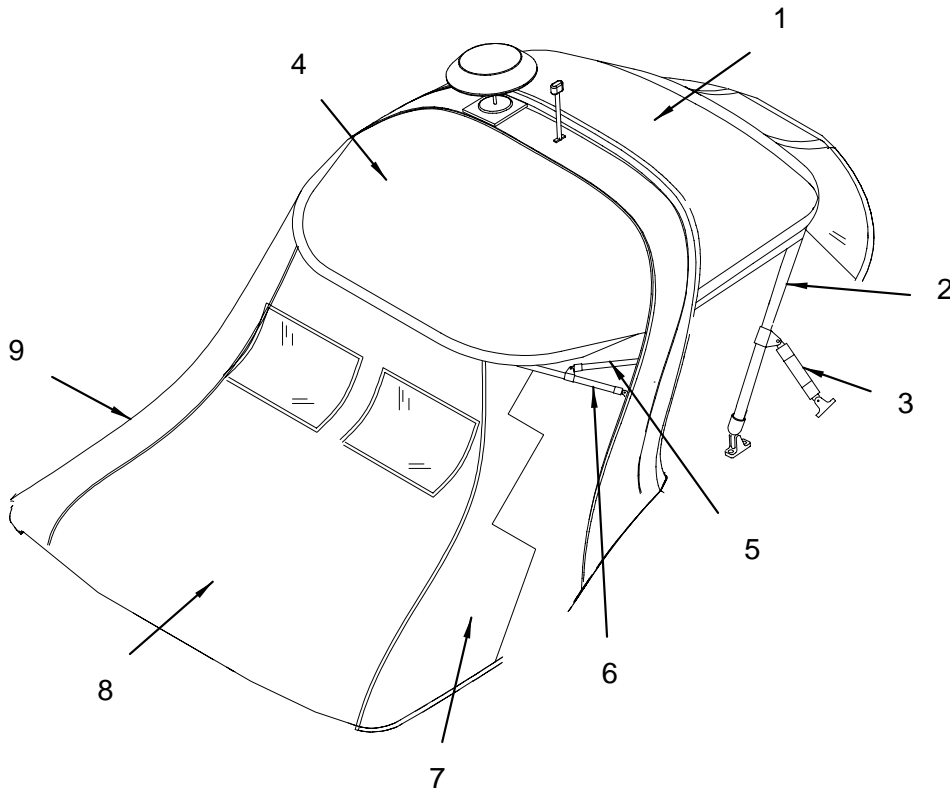
1735576	LABEL, CANVAS 420DA-03
1470335	LABEL, CANVAS CENTER-AFT CURTAIN
1470228	LABEL, CANVAS CENTER WINDSCREEN
1470319	LABEL, CANVAS PORT-AFT CURTAIN
1470301	LABEL, CANVAS PORT SIDE CURTAIN
1470277	LABEL, CANVAS PORT WINDSCREEN
1470327	LABEL, CANVAS STBD-AFT CURTAIN
1470293	LABEL, CANVAS STBD SIDE CURTAIN
1470285	LABEL, CANVAS STBD WINDSCREEN
1745520	LABEL, DANGER CO FUMES W/CANVAS
706820	LABEL, VERILON VINYL
1738706	TAG, CANVAS TOP WARN BOAT UNDERWAY U/V RES
889758	TAG, CO DANGER (CANVAS)
1740437	TAG, WARN S/S NOT TO BE USED 45MPH U/V RES

## NOT SHOWN

1799027	420DA 05,CANVAS,H/T PKG CMPLT N/BOWS HNTR (PKG INCLUDES: VISOR, SIDE CURTAINS, AFT CURTAIN, SUNSHADE VAL)
1130095	BINDING, CANVAS 7/8" HUNTER TWEED SNBRLA
1184183	CANVAS, SLIT 4" HUNTER GRN TWEED
1422526	ZIPPER, #10 YKK 30" SEP/CONT BLK SINGLE SLIDE
1422534	ZIPPER, #10 YKK 36" SEP/CONT BLK SINGLE SLIDE
178194	ZIPPER, #10 YKK 42" SEPARATED CONT BLK (HULL#529)
1422559	ZIPPER, #10 YKK 48" SEP/CONT BLK SINGLE SLIDE
1422567	ZIPPER, #10 YKK 54" CONT BLK SINGLE SLIDE
1422575	ZIPPER, #10 YKK 60" CONT BLK SINGLE SLIDE
1526284	STANDOFF, 01 INCLOSURE GLASS 1" WHT (HULL#501->699)
154369	SNAP STUD, W/#8 X 3/8" PH SS
154377	SNAP STUD, W/#8 X 5/8" PH SS
154476	SNAP STUD, DBL COMBO
156893	WEBBING, POLYPROPYLENE 1" BLACK
1574771	SNAP BUTTON, W/1/4" BARREL BLK
1690169	TRACK, VINYL AWNING WHT "FLEX-A-RAIL" 20"
1788686	WELT, POLYESTER/NYLON BLK .78-.78 (HULL#541->UP)
1784010	WELT, POLYESTER/NYLON BLK (HULL#510->540)
1738679	WELT, POLYESTER/NYLON WHT (HULL#501->509)
1742712	UPH PARTS, FOAM EDGE 1/2"X 2.25" #X-2199
1751341	STOP, ZIPPER TOP/STOP SS
1764535	VELCRO, HOOK BLK 2" SEW ON
1764808	VELCRO, LOOP BLK 2" SEW-ON
1764809	VELCRO, LOOP BLK 1"
1764810	VELCRO, HOOK BLK 1" SEW ON
177576	THREAD, POLYESTER BLK 160Z
177899	ZIPPER, #10 DELRIN CONTINUOUS BLK
1422518	ZIPPER, #10 YKK 24" SEP/CONT BLK SINGLE SLIDE (HULL#529->UP)
177907	ZIPPER, #10 YKK 24" SEPARATED CONT BLK (HULL#501->558)
178269	ZIPPER, #10 YKK 84" SEPARATED CONT BLK
178277	ZIPPER, #10 YKK 90" SEPARATED CONT BLK
596700	TAPE, SEAM DBL FACE ADH 1/2" X 72YDS
773226	ROPE, NYLON 1/8" BLACK BRAIDED
774513	VINYL FILM, PLAS. .040"X 1.25"X 30YD
1422542	ZIPPER, #10 YKK 42" SEP/CONT BLK SINGLE SLIDE
779041	SNAP SOCKET, HARD ACTION
1422591	ZIPPER, #10 YKK 72" CONT BLK SINGLE SLIDE

CANVAS (BLACK)

BIMINI/SUNSHADE/SPOILER



CANVAS HARDWARE

END CAP	JAW SLIDE	PULL PIN	PULL PIN	RADIUS HINGE	SLIDE	STRAIGHT HINGE	SHOCK CORD CLIP	PLASTIC PULL TAB
17	18	19	20	21	22	23	LACING KNOB	24



## CANVAS (BLACK)

- 1 1784403 420DA 05,CANVAS,BIM TOP BLK  
(BIMINI TOP ONLY DOES NOT INCLUDE HARDWARE)  
1738698 CANVAS, 420DA-03 CONV/BIM TOP BOWS W/HDWR
- 2 1740172 CANVAS, 420DA-03 BIM TOP MAIN BOW W/HDWR
- 3 1740170 CANVAS, 410DA-03 BIM TOP FWD STANCH  
1740171 CANVAS, 420DA-03 BIM FWD STANCH HDWR KIT
- 4 1784399 420DA 05,CANVAS,SNSHD CMLPT BLK  
(SUNSHADE ONLY DOES NOT INCLUDE HARDWARE)  
1784651 420DA 05,CANVAS,H/T SNSHD VAL BLK  
1738699 CANVAS, 420DA-03 SUNSHADE BOWS W/HDWR
- 5 1740173 CANVAS, 420DA-03 AFT SNSHADE FWD STANCH
- 6 1740169 CANVAS, 420DA-03 AFT SNSHADE MAIN BOW W/HDWR
- 7 1784379 420DA 05,CANVAS,AFT CURT STB BLK  
1784655 420DA 05,CANVAS,H/T AFT CURT STB BLK  
1470327 LABEL, CANVAS STBD-AFT CURTAIN
- 8 1784391 420DA 05,CANVAS,AFT CURT CTR BLK  
1784659 420DA 05,CANVAS,H/T AFT CURT CTR BLK  
1470335 LABEL, CANVAS CENTER-AFT CURTAIN
- 9 1784395 420DA 05,CANVAS,AFT CURT PRT BLK  
1784663 420DA 05,CANVAS,H/T AFT CURT PRT BLK  
1470319 LABEL, CANVAS PORT-AFT CURTAIN
- 10 1784848 420DA 05,CANVAS,FRNT VSR CMLPT CLR/BLK  
(PORT/CTR/STBD VISOR W SNAPS BAGGED SEPARATELY)  
1784849 420DA 05,CANVAS,HT FRNT VSR CMLPT CLR/BLK  
(PORT/CTR/STBD VISOR W SNAPS BAGGED SEPARATELY)
- 11 1784383 420DA 05,CANVAS,FRONT VSR PRT BLK  
1784636 420DA 05,CANVAS,H/T FRONT VSR PRT BLK  
1470277 LABEL, CANVAS PORT WINDSCREEN
- 12 1784367 420DA 05,CANVAS,FRONT VSR CTR BLK  
1784632 420DA 05,CANVAS,H/T FRONT VSR CTR BLK  
1470228 LABEL, CANVAS CENTER WINDSCREEN
- 13 1784371 420DA 05,CANVAS,FRONT VSR STB BLK  
1784628 420DA 05,CANVAS,H/T FRONT VSR STB BLK  
1470285 LABEL, CANVAS STBD WINDSCREEN
- 14 1784856 420DA 05,CANVAS,SIDE CURT CMLPT BLK  
(PORT/STBD SIDE CURTAINS WITH SNAPS BAGGED SEPARATELY)  
1784857 420DA 05,CANVAS,HT SIDE CURT CMLPT BLK  
(PORT/STBD SIDE CURTAINS WITH SNAPS BAGGED SEPARATELY)
- 15 1784387 420DA 05,CANVAS,SIDE CURT PRT BLK  
1784640 420DA 05,CANVAS,H/T SIDE CURT PRT BLK  
1470301 LABEL, CANVAS PORT SIDE CURTAIN
- 16 1784375 420DA 05,CANVAS,SIDE CURT STB BLK  
1784407 420DA 05,CANVAS,H/T SIDE CURT STB BLK  
1470293 LABEL, CANVAS STBD SIDE CURTAIN
- 17 175059 CAP, RAIL END W/EYE 1" SS (CONV TOP)
- 18 175042 SLIDE, JAW SLIDE W/BOLT 1" SS (CONV TOP)
- 19 1357854 PIN, PULL 1.25" TOGGLE W/RING LNYRD SPRING SS
- 20 464115 LANYARD, 6" W/TAB
- 21 174961 HINGE, DECK W/10DEG ANGLE SS CONV TOP
- 22 1536051 SLIDE, W/S CANVAS TRACK PORT  
1536069 SLIDE, W/S CANVAS TRACK STBD  
1738744 KNOB, W/S CANVAS TRACK PRT & STB
- 23 663393 HINGE, DECK, ANGLE W/PULL PIN HOLE  
775080 HINGE, DECK SIDE-MOUNT SS CONV TOP  
(MOUNTED ON INSIDE SPOILER)
- 24 1628791 KNOB, PLAS WHT SHOCKCORD/CLIP  
1628817 CLIP, SHOCKCORD/CVR BLK

## CANVAS

- 1616341 CANVAS, SUNBRELLA BLACK 60" BLK  
1645456 CANVAS, SEAMARK BLACK "W/BC

## CANVAS PACKAGE

- 1784363 420DA 05,CANVAS,PKG CMLPT N/BOWS BLK  
(CONSISTS OF BIM TOP/VISOR/SUNSHADE/SIDE CURTAINS/AFT CURTAINS/BOWS)

## DASH COVER

- 1784677 420DA 05,CANVAS,DASH CVR BLK
- 590711 BINDING, CANVAS 7/8" BLK SUNBRELLA
- 1616341 CANVAS, SUNBRELLA BLACK 60" BLK
- 1735576 LABEL, CANVAS 420DA-03
- 1574771 SNAP BUTTON, W/1/4" BARREL BLK
- 779041 SNAP SOCKET, HARD ACTION
- 154369 SNAP STUD, W/#8 X 3/8" PH SS
- 156893 WEBBING, POLYPROPYLENE 1" BLACK

## INTERIOR CARPET RUNNER

- 1784861 420DA 05,CANVAS,INT CARPET RNR CMLPT

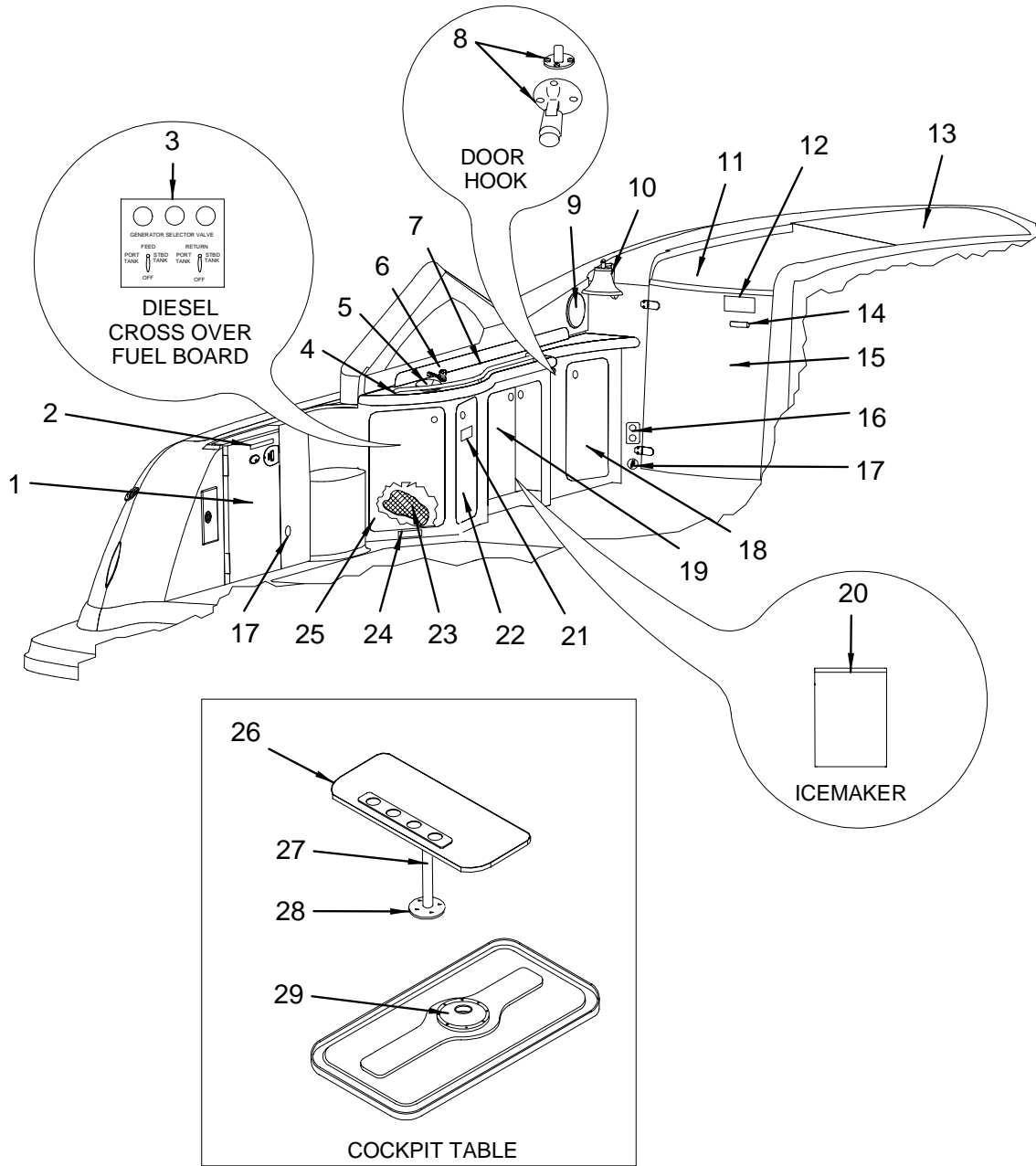
## LABELS

- 1735576 LABEL, CANVAS 420DA-03
- 1470335 LABEL, CANVAS CENTER-AFT CURTAIN
- 1470228 LABEL, CANVAS CENTER WINDSCREEN
- 1470319 LABEL, CANVAS PORT-AFT CURTAIN
- 1470301 LABEL, CANVAS PORT SIDE CURTAIN
- 1470277 LABEL, CANVAS PORT WINDSCREEN
- 1470327 LABEL, CANVAS STBD-AFT CURTAIN
- 1470293 LABEL, CANVAS STBD SIDE CURTAIN
- 1470285 LABEL, CANVAS STBD WINDSCREEN
- 1745520 LABEL, DANGER CO FUMES W/CANVAS
- 706820 LABEL, VERILON VINYL
- 1738706 TAG, CANVAS TOP WARN BOAT UNDERWAY U/V RES
- 889758 TAG, CO DANGER (CANVAS)
- 1740437 TAG, WARN S/S NOT TO BE USED 45MPH U/V RES

## NOT SHOWN

- 1799005 420DA 05,CANVAS,H/T PKG CMLPT N/BOWS BLK  
(PKG INCLUDES: VISOR, SIDE CURTAINS, AFT CURTAIN, SUNSHADE VAL)
- 1422526 ZIPPER, #10 YKK 30" SEP/CONT BLK SINGLE SLIDE
- 1422534 ZIPPER, #10 YKK 36" SEP/CONT BLK SINGLE SLIDE
- 1422559 ZIPPER, #10 YKK 48" SEP/CONT BLK SINGLE SLIDE
- 1422567 ZIPPER, #10 YKK 54" CONT BLK SINGLE SLIDE
- 1422575 ZIPPER, #10 YKK 60" CONT BLK SINGLE SLIDE
- 1526284 STANDOFF, 01 INCLOSURE GLASS 1" WHT  
(HULL#501->699)
- 154369 SNAP STUD, W/#8 X 3/8" PH SS
- 154377 SNAP STUD, W/#8 X 5/8" PH SS
- 154476 SNAP STUD, DBL COMBO
- 156893 WEBBING, POLYPROPYLENE 1" BLACK
- 1574771 SNAP BUTTON, W/1/4" BARREL BLK
- 1684046 CANVAS, SLIT 4" BLACK #6008
- 1690169 TRACK, VINYL AWNING WHT "FLEX-A-RAIL" 20"
- 1788686 WELT, POLYESTER/NYLON BLK .78-.78  
(HULL#541->UP)
- 1784010 WELT, POLYESTER/NYLON BLK  
(HULL#510->540)
- 1738679 WELT, POLYESTER/NYLON WHT  
(HULL#501->509)
- 1742712 UPH PARTS, FOAM EDGE 1/2"X 2.25" #X-2199
- 1751341 STOP, ZIPPER TOP/STOP SS
- 1764535 VELCRO, HOOK BLK 2" SEW ON
- 1764808 VELCRO, LOOP BLK 2" SEW-ON
- 1764809 VELCRO, LOOP BLK 1"
- 1764810 VELCRO, HOOK BLK 1" SEW ON
- 177576 THREAD, POLYESTER BLK 16OZ
- 177899 ZIPPER, #10 DELRIN CONTINUOUS BLK
- 177907 ZIPPER, #10 YKK 24" SEPARATED CONT BLK  
(HULL#501->558)
- 1422518 ZIPPER, #10 YKK 24" SEP/CONT BLK SINGLE SLIDE  
(HULL#529->UP)
- 178194 ZIPPER, #10 YKK 42" SEPARATED CONT BLK  
(HULL#529)
- 178269 ZIPPER, #10 YKK 84" SEPARATED CONT BLK
- 178277 ZIPPER, #10 YKK 90" SEPARATED CONT BLK
- 590711 BINDING, CANVAS 7/8" BLK SUNBRELLA
- 596700 TAPE, SEAM DBL FACE ADH 1/2" X 72YDS
- 773226 ROPE, NYLON 1/8" BLACK BRAIDED
- 774513 VINYL FILM, PLAS .040"X 1.25"X 30YD
- 1422542 ZIPPER, #10 YKK 42" SEP/CONT BLK SINGLE SLIDE
- 779041 SNAP SOCKET, HARD ACTION
- 1422591 ZIPPER, #10 YKK 72" CONT BLK SINGLE SLIDE

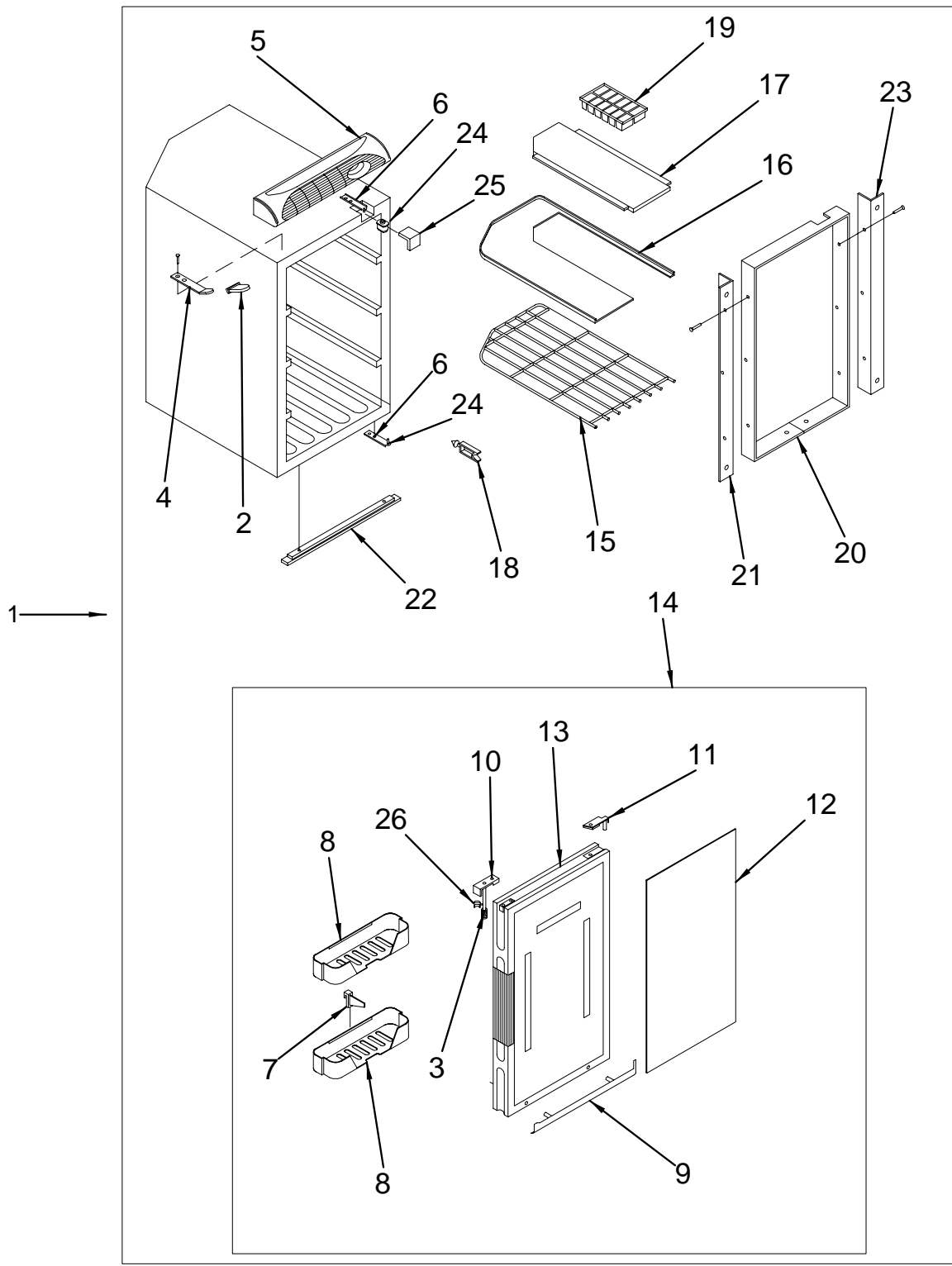
COCKPIT (PORT VIEW)



## COCKPIT (PORT VIEW)

1	1733116	DOOR, PLEX 420DA-03 TRNSM W/OMNI-BOB LATCH	20	145094	RECEPTACLE, DUPLEX BRN 15A (HULL#501->564)
	1684897	STRIKER, #7742 SS FOR OMNI FLAT CLSD POSTN	21	1744745	LABEL, DISPOSAL OF GARBAGE
	1684899	DOOR KEEPER, #7709 BLK PLAS FOR OMNI 3/4"	22	1734671	DOOR, HDPE 420DA-03 TRASH W/HNGE ARW SS
	1754614	LATCH, #7771 OMNI BOB 1 9/16"-1 13/16"W/LCK		175208	BUMPER, WHT SMALL ROUND
	1687583	SWITCH, MAGNETIC TRANS DOOR GRV		1411453	LATCH, FLUSH MOUNT PULL SS (SLAM)
	188060	EMBLEM, "SEA RAY" SCRIPT CHROME 5"	23	407247	FLOORING, VINYL GRID DECKING WHT "DRI-DEK"
2	1743571	LABEL, DANGER TRANSOM DOOR (LEXAN)	24	1744735	LABEL, FUEL SHUT-OFF (LEXAN)
3	1738935	PANEL, P/B 420DA-03 GEN CROSSOVER FUEL BLNK (TVD-CUMMINS 6CTA (T-417 PHP) V-DR.INBOARDS) (TVD-CUMMINS 480CE (T-446 PHP) V-DR.INBOARDS)	25	1734668	DOOR, HDPE 420DA-03 AFT WETBAR W/HNGE SS
	1291277	GAUGE, VOLTMETER 10-16 MLSS A/F (TVD-CUMMINS 6CTA (T-417 PHP) V-DR.INBOARDS) (TVD-CUMMINS 480CE (T-446 PHP) V-DR.INBOARDS)		1411453	LATCH, FLUSH MOUNT PULL SS (SLAM)
	1291335	GAUGE, OIL PRESS 0-100 2" 12V MLSS A/F (TVD-CUMMINS 6CTA (T-417 PHP) V-DR.INBOARDS) (TVD-CUMMINS 480CE (T-446 PHP) V-DR.INBOARDS)		175208	BUMPER, WHT SMALL ROUND
	1291483	GAUGE, WATER TEMP 240 DEG 12V MLSS A/F (TVD-CUMMINS 6CTA (T-417 PHP) V-DR.INBOARDS) (TVD-CUMMINS 480CE (T-446 PHP) V-DR.INBOARDS)	26	1784673	420DA 05,TBL,CKPT CMPLT FBRGLS
4	1780154	RAIL, SS GRAB 420DA-05 CKPT WETBAR		1771121	INSERT, CORIAN 1/4" CKPT TBL MIDNIGHT
5	146753	SINK, SS GLY/HEAD OVAL 10.5"X 13.25"SATIN	27	1476738	POST, TABLE LEG 26.5"X 2.25" ALUM RIB DBL TPR
	583427	DRAIN, W/PLUG 100DEG 3/4"BARB CHR	28	876961	BASE, LEG/POST FLUSH MT ALUM
6	942888	FAUCET, CKPT CERAMIC TAP SWIVEL/FOLD SPOUT (HULL#501->502)	29	876979	BASE, LEG/POST SURF MT ALUM
	1718686	FAUCET, SCANDVIK CKPT ENT CTR CHR (HULL#503->UP)	<b>LABELS</b>		
7	1780458	TOP, CORIAN CKPT SINK 420/DA-05 MIDNIGHT		1749696	LABEL, DANGER COMBO-GAS POWERED BOAT RV1
8	1322213	STOP, DOOR RELEASE		1744804	LABEL, DANGER COMBO-DSL POWERED BOAT (TVD-CUMMINS (480CE T-446 PHP) & (6CTA (T-417 PHP) V-DR I/B)
9	1690555	SPEAKER, COAXIAL 6.5" W/WHT CVR		1743571	LABEL, DANGER TRANSOM DOOR (LEXAN)
	1690558	GRILL, SPEAKER 6.5" ACOM WHT		1744745	LABEL, DISPOSAL OF GARBAGE
	701904	WIRE, 16/2 RED/CLR SPKR OXYGEN-FREE CPR		1743534	LABEL, FRESH WATER (LEXAN)
	701912	WIRE, 16/2 GRN/CLR SPKR OXYGEN-FREE CPR		1744735	LABEL, FUEL SHUT-OFF (LEXAN)
10	177378	BELL, FOG BELL 8" CHR/BRZ		1745162	LABEL, LEAVING DOCKSIDE WTR CONNECTED WARNING
11	1777477	HATCH, 420DA-05 CBN ENTRY BIFOLD NCKL		1744760	LABEL, SHIFT SMALL (LEXAN)
	1744011	TRACK, 420DA-03 CABIN ENTRY TOP PORT		1741234	LABEL, STICKER 420DA CANADIAN CONFORMITY (CANADIAN CONFORMITY STICKER)
	1744012	TRACK, 420DA-03 CABIN ENTRY TOP STBD		1744746	LABEL, THROTTLE SML (LEXAN)
	1764690	CATCH, STRIKE SS WRICO		1743548	LABEL, WARNING RUNNING BOAT W/DOOR OPEN
	1764691	TRIM, PLAS HATCH SLIP MRP#1733117 BLK		976431	PLATE, CE OPT B:15PERSON/1815KG (C E OPTION GROUP)
12	1743548	LABEL, WARNING RUNNING BOAT W/DOOR OPEN		1752717	PLATE, NMMA YACHT CERT GAS
13	1784667	420DA 05,HATCH,TRACK ACCESS CVR FBRGLS		1752712	PLATE, NMMA YACHT CERT DSL (HULL#501->508) (TVD-CUMMINS (480CE T-446 PHP) & (6CTA (T-417 PHP) V-DR I/B)
14	1338623	LOCK, 410DA-00 CABIN ENTRY TRIOVING W/BLOCKS		1686838	PLATE, SRB-2000 PROTECTED DESIGN
	1472851	KEY, BLANK TRIOVING LOCKSET (#3312-V)		889758	TAG, CO DANGER (CANVAS)
15	1777479	DOOR, 420DA-05 CBN ENTRY SWING NCKL		1740437	TAG, WARN S/S NOT TO BE USED 45MPH U/V RES
	1797183	GASKET, WEATHER STRIPPING CABIN ENTRY		1791388	DECAL, MERCURY CERTIFIED INSTALLER
	1738153	THRESHOLD, SS 420DA-03 ENTRYWAY INT	<b>NOT SHOWN</b>		
	1764632	HINGE, SS 5"X 1.5"		1734122	COVER, HDPE 420DA-03 CKPT PLATES 12"X 18"
16	1744353	COVER, WATERPROOF RECEPTACLE #WGF-100-C		1737744	BLKHD, P/B 420DA-03 CKPT PRT BLCKOFF FWD (C E OPTION GROUP)
	256305	RECEPTACLE, LEGRAND EXT W/CVR 220/50 GERMAN (HULL#515->580) (220 VOLT / 50 CYCLE ELECTRICAL SYSTEM)		1737745	BLKHD, P/B 420DA-03 CKPT PRT BLCKOFF OTBD (C E OPTION GROUP)
	1787565	RECEPTACLE, LEVITON EXT W/CVR 220/50 GERMAN (HULL#581->UP) (220 VOLT / 50 CYCLE ELECTRICAL SYSTEM)		1745909	INSERT, DR/ABS 420DA-04 CKPT STRG PRT/FWD
17	137380	LIGHT, NAV STERN FLUSH MT CKPT		1747696	INSERT, V/F CKPT STRG CAB PRT/AFT GAS
	1200369	BULB, REPL FOR #0137380/#0783670		1364488	BUSS BAR, 10-GANG TERMINAL STRIP (SML)
18	1734669	DOOR, HDPE 420DA-03 FWD WETBAR W/HGE ARW SS		1787520	COVER PLATE, SGL DUPLEX RECEPT WHT LVT
	175208	BUMPER, WHT SMALL ROUND		1787520	COVER PLATE, SGL DUPLEX RECEPT WHT LVT
	1411453	LATCH, FLUSH MOUNT PULL SS (SLAM)			
	513895	ACCESS PLATE, PAINTED PLAS 5" WHT			
19	1734670	DOOR, HDPE 420DA-03 ICEMKR W/HNGE (2PC)SLTD SS			
	175208	BUMPER, WHT SMALL ROUND			
	1411453	LATCH, FLUSH MOUNT PULL SS (SLAM)			
20	864678	ICE MAKER, 23 LB WHT W/FLNGE CFC FREE 120V/60			
	1689713	FITTING, BRASS 3/4"FGH X 1/4"COMP			
	1806116	LATCH, ICEMKR DOOR			
	864686	ICE MAKER, 23 LB WHT W/FLNGE CFC FREE 220V/50 (220 VOLT / 50 CYCLE ELECTRICAL SYSTEM)			
	1807500	ICE MAKER, 23 LB WHT W/FLNGE 220V/50 LATCH (220 VOLT / 50 CYCLE ELECTRICAL SYSTEM)			
	1806112	ICE MAKER, 23 LB WHT W/FLNGE CFC FREE DOOR (120/220V)			
	1658368	REFRIGERATOR, 2.7 CF (COCKPIT REFRIGERATOR - 120V/60)			
	1671064	REFRIGERATOR, 2.7 CF AC/DC 220/50 (COCKPIT REFRIGERATOR - 220V/50)			
	1806041	REFRIGERATOR, 2.7 CF DOOR ASSY 220/50 (COCKPIT REFRIGERATOR - 220V/50)			
	1683925	SUPPORT, HDPE 360DA-02 REFRIGERATOR (COCKPIT REFRIGERATOR - 120V/60 & 220V/ 50)			
	1738813	LATCH, COVER PLATE FOR TRAVEL LATCH			
	1738814	LATCH, TRAVEL LATCH SPRING			
	1738816	LATCH, TRAVEL PLATE/PIN			
	627737	BOX, RECEPTACLE/SWITCH PVC 1-GANG DEEP			
	1787507	RECEPTACLE, DUPLEX BRN 15A LVT (HULL#565->UP)			

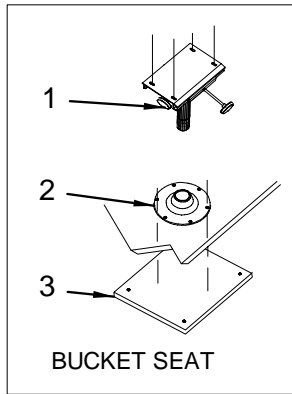
COCKPIT (REFRIGERATOR)



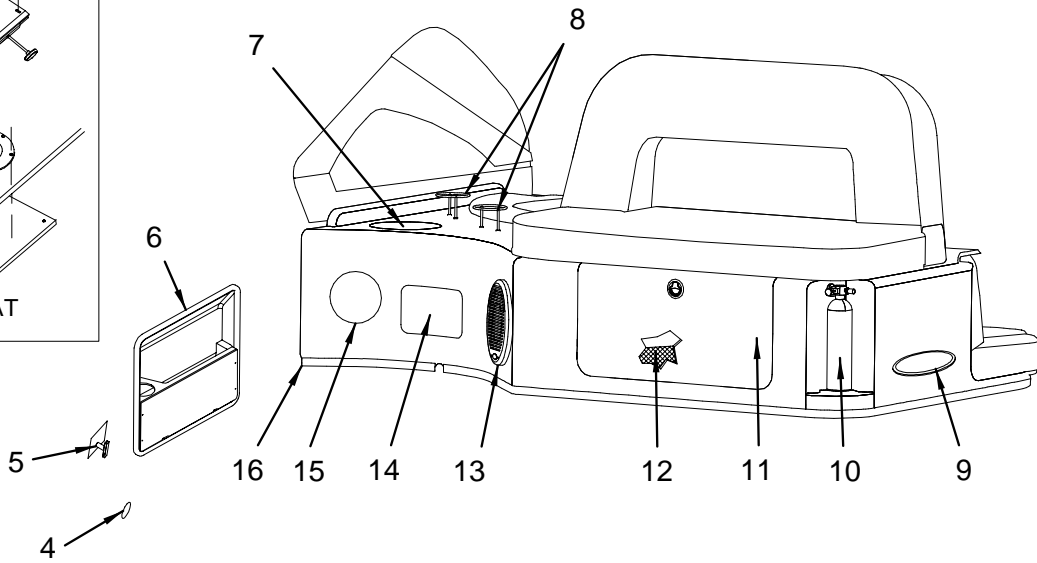
**COCKPIT (REFRIGERATOR)**

1	1658368	REFRIGERATOR, 2.7 CF
2	1738813	LATCH, COVER PLATE FOR TRAVEL LATCH
3	1738814	LATCH, TRAVEL LATCH SPRING
4	1738816	LATCH, TRAVEL PLATE/PIN
5	1804906	REFRIGERATOR, 2.7 CF CVR-CNTRL
6	1804907	REFRIGERATOR, 2.7 CF HINGE ASSY
7	1804908	REFRIGERATOR, 2.7 CF PARTITION DOOR POCKET
8	1804994	REFRIGERATOR, 2.7 CF DOOR SHELF BIN
9	1804995	REFRIGERATOR, 2.7 CF DOOR FRAME BTM
10	1805268	REFRIGERATOR, 2.7 CF CVR HINGE LH
11	1805269	REFRIGERATOR, 2.7 CF CVR HINGE RH
12	1805270	REFRIGERATOR, 2.7 CF DOOR PNL BLK
13	1805271	REFRIGERATOR, 2.7 CF DOOR FRAME ASSY
14	1805284	REFRIGERATOR, 2.7 CF DOOR ASSY
15	1805285	REFRIGERATOR, 2.7 CF SHELF LWR
16	1805286	REFRIGERATOR, 2.7 CF SHELF UPR
17	1805287	REFRIGERATOR, 2.7 CF DRAINAGE PAN
18	1805288	REFRIGERATOR, 2.7 CF HOLDER SHELF REAR
19	1805289	REFRIGERATOR, 2.7 CF ICE CUBE TRAY
20	1805290	REFRIGERATOR, 2.7 CF FRAME CVR/4 SIDES BLK
21	1805291	REFRIGERATOR, 2.7 CF FRAME CAB LH
22	1805292	REFRIGERATOR, 2.7 CF FRAME CAB BTM
23	1805293	REFRIGERATOR, 2.7 CF FRAME CAB RH
24	1805294	REFRIGERATOR, 2.7 CF BUSHING
25	1805295	REFRIGERATOR, 2.7 CF BUSHNG "I"
26	1805570	REFRIGERATOR, 2.7 CF DOOR HANDLE ASSY

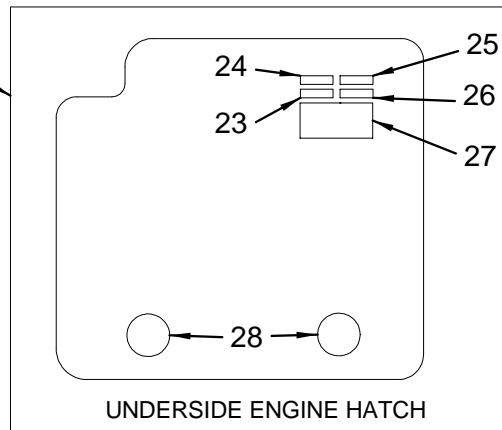
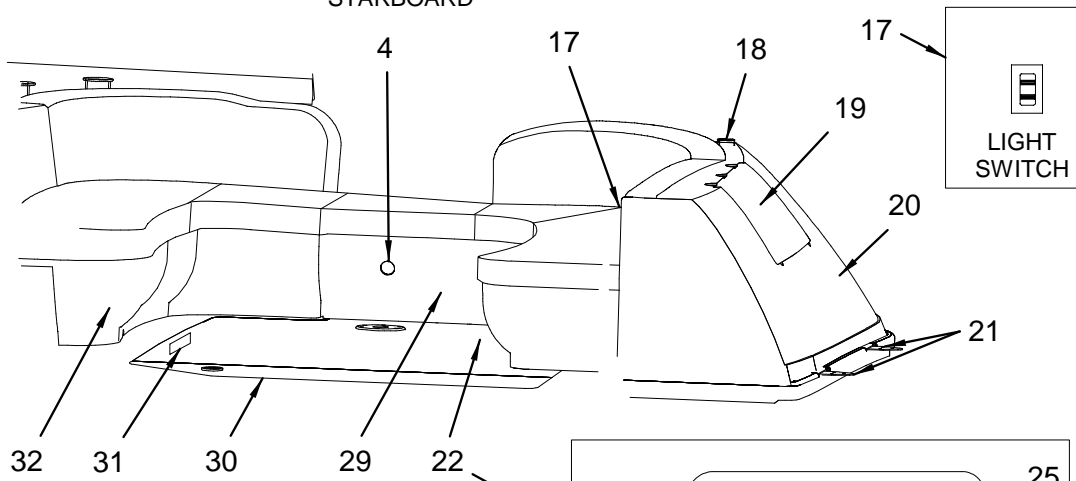
COCKPIT (STARBOARD VIEW)



STARBOARD FORWARD



STARBOARD



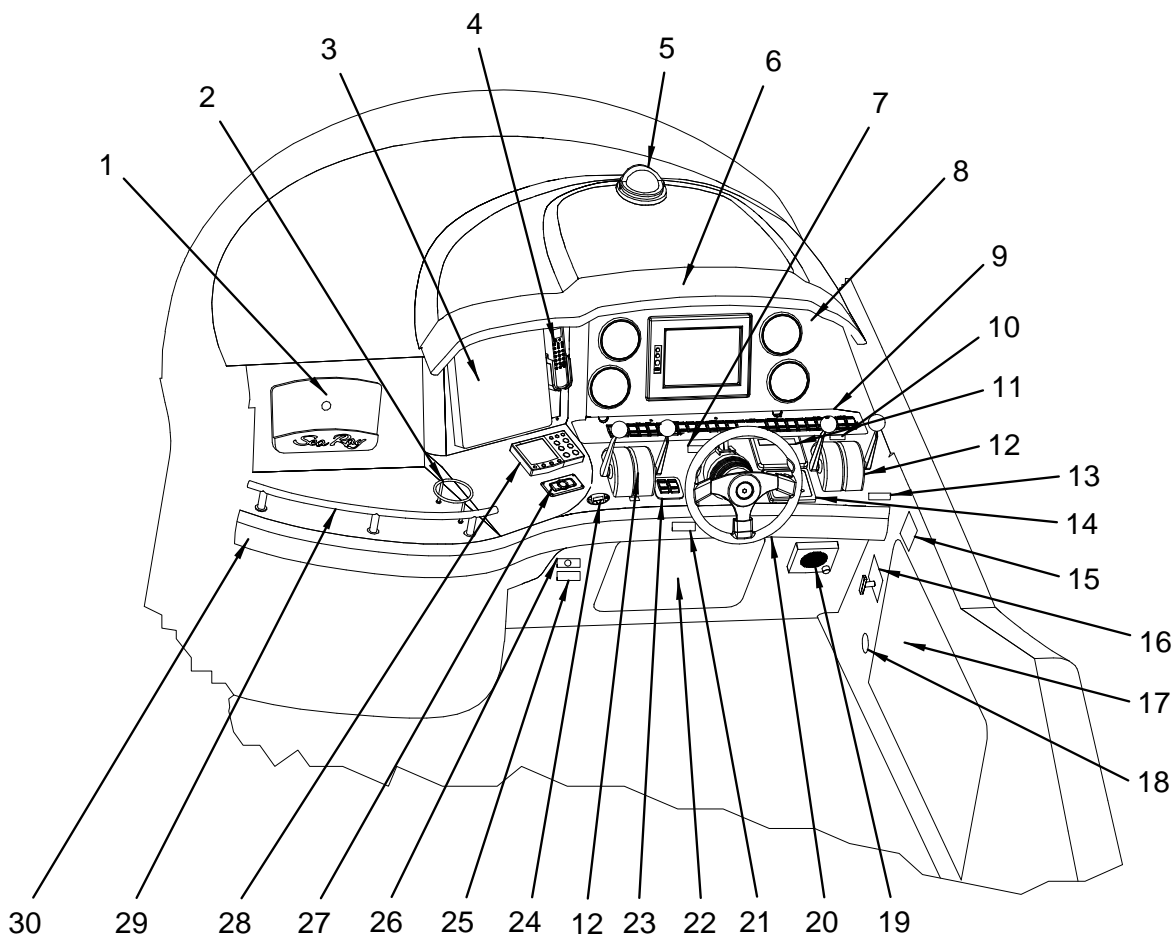
## COCKPIT (STARBOARD VIEW)

1	1763530	PEDESTAL/SLIDE, CMDR W/COLLAR 14.25"/18.25"	28	894311	ACCESS PLATE, PLAS 6" VIKING
2	1269422	PLATE, HELM SEAT BASE DETACHABLE	29	1784670	420DA 05,BASE,AFT FWD FCNG FBRGLS
3	1229103	PLATE, ALUM 3/8"X 14"X 14" H/S BACKING		1739504	NOSING, VINYL 1"X 1/4"X 12' WHT W/SCRW RECESS
4	137380	LIGHT, NAV STERN FLUSH MT CKPT		1740978	NOSING, VINYL 1"X 1/4"X 12' WHT INSERT
	1200369	BULB, REPL FOR #0137380/#0783670	30	1784669	420DA 05,HATCH,ENG PRT FBRGLS
5	598128	HALON CABLE, MANUAL PULL CABLE 13'		1683753	HINGE, SS 320DA-02 CKPT HATCH
	1763559	HALON SYS, REVERSE GAUGE/SWITCH AUTO 500CF		1480813	LATCH, FLUSH MOUNT ROUND T-HNDL SS W/PAWL
	598169	HALON CABLE, MANUAL PULL CABLE 18'		1738105	SUPPORT, LINER CKPT ADJ 26" TUBE SS 420DA-03
	1266790	<b>(C E OPTION GROUP)</b> FIRE EXT SYS, FM200 500CF GAS/DSL-MAN/AUTO <b>(220 VOLT / 50 CYCLE ELECTRICAL SYSTEM)</b>		1733030	CHANNEL, BILGE HATCH 420DA-03 57 7/8"X 3"
6	739268	BOX, V/F HELM STRG		1396142	MOLDING, FOAM RBR "D-SHAPE" 1.75" W/HAT ADH
	739276	FACE, DR/ABS HELM STRG W/ACC PLATE	31	1746895	LABEL, CHECK BATTERY CELL FLUID LEVEL
	1266063	DRINKHOLDR, PLAS 4"X 3" MUG SZ WHT	32	1784672	420DA 05,BASE,AFT FCNG FBRGLS
7	802934	LID, HDPE ROUND HELMSEAT COOLER ARW		1739504	NOSING, VINYL 1"X 1/4"X 12' WHT W/SCRW RECESS
	450007	COOLER, ICE BKT 10"DIA X 8"DEEP W/2"FLANGE		1740978	NOSING, VINYL 1"X 1/4"X 12' WHT INSERT
	1781588	TRIM, CORIAN 420DA-05 CKPT A/C 9"RNG MIDNIGHT <b>(COCKPIT AIR CONDITION)</b>			
8	1750876	HOLDER, DRINK SS SGL 3" (KING)			
9	1454016	PORTLIGHT, FIXED ALL SS 3/8"-7/8" MOD REV1			
	1513191	TRIM RING, PORTLIGHT FIXED 3/8" SS			
	1331750	PORTLIGHT, LENS ONLY (BOMAR)			
	1314459	PORTLIGHT, GASKET SATURATED FOAM			
	1331735	PORTLIGHT, GASKET ONLY (BOMAR)			
10	1581099	FIRE EXT, DRY CHEM HAND-HELD 1A 10BC 2.50LB <b>(WATER DELIVERY - INCLUDES SAFETY PKG &amp; FUEL)</b>			
11	1479096	DOOR, HDPE 410DA-01 CMPN SEAT STRG SS			
	1411453	LATCH, FLUSH MOUNT PULL SS (SLAM)			
	175208	BUMPER, WHT SMALL ROUND			
	1781221	DOOR, STRG 420DA-05 CMPN W/AC OPT SLT ZPHR <b>(COCKPIT AIR CONDITION)</b>			
	1781658	BRACE, SS 420DA-05 COMPANION SEAT <b>(COCKPIT AIR CONDITION)</b>			
	1772531	A/C COMP, COMPACT 16K SMXII HV 115V 60HZ R22 <b>(COCKPIT AIR CONDITION)</b>			
	1780155	A/C COMP, PLENUM W/5" & 4" OUTL <b>(COCKPIT AIR CONDITION)</b>			
	1781383	A/C COMP, 420DA-05 DASH PLENUM <b>(COCKPIT AIR CONDITION)</b>			
	1781657	GRILL, HDPE 420DA-05 CKPT A/C RETURN <b>(COCKPIT AIR CONDITION)</b>			
	1163963	A/C COMP, GRILL 10X5 SNAP WHT W/FRAME <b>(COCKPIT AIR CONDITION)</b>			
	1773076	A/C COMP, COMPACT 16K SMXII HV 220V 50HZ GG <b>(COCKPIT AIR CONDITION 220V)</b>			
12	407247	FLOORING, VINYL GRID DECKING WHT "DRI-DEK"			
13	1755999	SPEAKER, 10" SUBWOOFER ACOM W/WHT CVR			
	1773445	GRILL, SPEAKER SUBWOOFER 10" ACOM WHT			
	701904	WIRE, 16/2 RED/CLR SPKR OXYGEN-FREE CPR			
	701912	WIRE, 16/2 GRN/CLR SPKR OXYGEN-FREE CPR			
14	598664	PLATE, PLAS RADAR ACCESS 91			
15	1690555	SPEAKER, COAXIAL 6.5" W/WHT CVR			
	1690558	GRILL, SPEAKER 6.5" ACOM WHT			
	701904	WIRE, 16/2 RED/CLR SPKR OXYGEN-FREE CPR			
	701912	WIRE, 16/2 GRN/CLR SPKR OXYGEN-FREE CPR			
16	1740978	NOSING, VINYL 1"X 1/4"X 12' WHT INSERT			
17	1793453	420DA 05,PNL,BLANK.LIGHT SWITCH			
	1717225	ACTUATOR, ROCK WHT N/ LENS-INCANDESCENT			
	785923	BODY, ROCK SW SPDT ON-ON WHT			
	1751981	LABEL, LIGHT SWITCH-STEP			
18	1750873	HOLDER, DRINK SS 2-RING 3" (KING)			
19	1733116	DOOR, PLEX 420DA-03 TRNSM W/OMNI-BOB LATCH			
	1684897	STRIKER, #7742 SS FOR OMNI FLAT CLSD POSTN			
	1684899	DOOR KEEPER, #7709 BLK PLAS FOR OMNI 3/4"			
	1754614	LATCH, #7771 OMNI BOB 1 9/16"-1 13/16"W/LCK			
	1338821	HINGE, SS STRAP 2.56" X 2.56" X 1/4"			
20	1784354	420DA 05,TRNSM WALL,FBRGLS			
21	1683753	HINGE, SS 320DA-02 CKPT HATCH			
22	1784671	420DA 05,HATCH,ENG ELEC FBRGLS			
	1396142	MOLDING, FOAM RBR "D-SHAPE" 1.75" W/HAT ADH			
	1683753	HINGE, SS 320DA-02 CKPT HATCH			
	1480813	LATCH, FLUSH MOUNT ROUND T-HNDL SS W/PAWL			
	1737790	SUPPOT, SS 420DA-03 ENG HATCH			
	1740803	BRACKET, HDPE 420DA-03 HTCH STABILIZR ST ASSY			
	894311	ACCESS PLATE, PLAS 6" VIKING			
23	1745156	LABEL, NOTICE OVERBOARD DISCHARGE (LEXAN)			
24	1745513	LABEL, WARNING LEAKING FUEL			
25	1745512	LABEL, STAY CLEAR OF MOVING PARTS ON ENGINE			
26	1751885	LABEL, CAUTION: PRIOR TO TOWING VESSEL			
27	1744737	LABEL, DISCHARGE OF OIL (LEXAN)			
	1745514	LABEL, PREVENT DISCHARGE OF POLLUTANTS <b>(C E OPTION GROUP)</b>			

## NOT SHOWN

141903	HINGE, AL CONT 2"X 72" SAT
1625995	SHIM, LDPVC 360DA-02 CKPT BENCH SEAT
1733784	KEY RING, RND MTL RIM
1738439	BLKHD, P/B 420DA-03 CKPT COMP SEAT BLKOFF
705798	TRIM-SEAL, 5/16" W/NO BULB BLACK

COCKPIT (HELM)

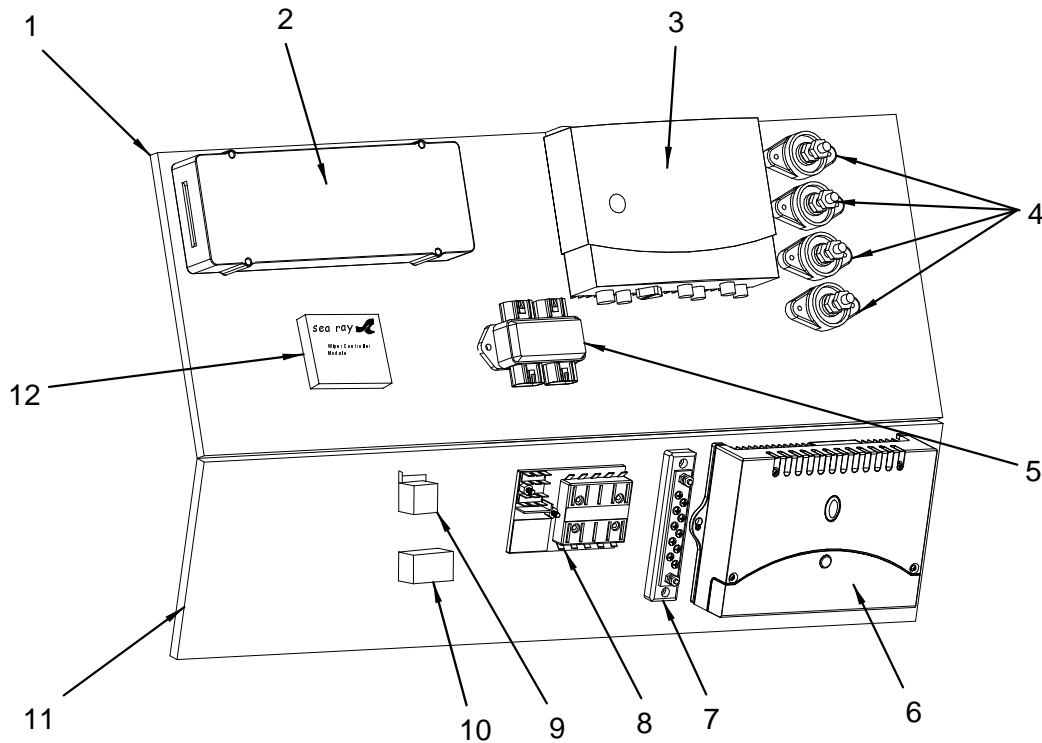




## COCKPIT (HELM)

1	1781656	BOX, GLOVE HDPE 420DA-05 W/NICKEL FRAME LDR (HULL#503->UP)	20	1743362	STEERING WHEEL, 3-SPOKE WOOD (WHEEL ONLY)	
	1734682	DOOR, STRG 6" X 10" 420DA-03 GLOVEBOX ZPHR (HULL#501->502)		1747682	EMBLEM, S/R EMB SCRIPT WHEEL CHR-BEZEL 1.75"	
	1781339	LOCK, GLOVEBOX		317032	STEERING, HELM PUMP SEA STAR I TILT	
	1781340	KEY, GLOVEBOX		21	1746224	LABEL, INFO HELM SAFETY
	1632884	EMBLEM, S/R EMBOSSED SCRIPT OVAL CHR UROCAL		22	1780678	PANEL, HDPE 420DA-05 HELM BASE NCKL W/DOOR (HULL#503->UP)
2	1750876	HOLDER, DRINK SS SGL 3" (KING)		1743342	PANEL, HDPE 420DA-03 HELM BASE ZPHR W/DOOR (HULL#501->502)	
3	1781715	PANEL, BLANK 390DA/420DA-05 RADAR		1788127	PANEL, HDPE 420DA-05 HELM BASE NCKL 480CE OPT (TVD-CUMMINS 480CE (T-446 PHP) V-DR.INBOARDS)	
	1774827	PANEL, BLANK:390DA/420DA-05 SRN DUAL (SEA RAY NAV.II CHARTPLOTTER W/RADAR OVERLAY)		1733432	PACKET, 420DA-03 SAFETY INFORMATION UNIT	
	1757377	NAVIGATOR, SRNII MODEL 12.1 COMPUTER (SEA RAY NAV.II CHARTPLOTTER W/RADAR OVERLAY)	23	1282979	PANEL, BLANK:310DA/420DA-03 TRIM TAB SW	
	1780644	PANEL, BLANK:390/420DA RADAR W/RAY C-120 (ADDITIONAL RAYMARINE C120 CP ONLY W/ C120) (SRN II & C120 RADAR)		773879	ACTUATOR, ROCK VERT BLK W/O LENS TRIM TABS	
	1772722	NAVIGATION DISPLAY, RAYMARINE C120 12" CLRLCD (ADDITIONAL RAYMARINE C120 CP ONLY W/ C120) (SRN II & C120 RADAR)	24	1755469	BODY, ROCK SW DPDT (MOM) BLK W/O JUMPER	
	1793509	PANEL, BLANK:390/420DA-05 RADAR W/6000I-10.4" (NORTHSTAR 6000I GPS / CHARTPLOTTER / RADAR)		1689255	STEREO, REMOTE CNTRL W/DIG DSPLY FOR XMD3 BLK	
	1770322	NAVIGATION DISPLAY, NRTHSTR 6000I 10.4" (NORTHSTAR 6000I GPS / CHARTPLOTTER / RADAR)		1312750	ANTENNA, EXTENSION 12' STEREO CABLE	
4	1781360	RADIO, VHF RAYMARINE RAY 240 (HULL#581->UP)		25	1744738	CABLE, CLARION REMOTE EXTENSION CABLE 24'
	1683806	RADIO, VHF RAYTHEON RAY 230 (HULL#501->580)		26	1287283	LABEL, RECEPTACLE 12V-15A MAX (LEXAN)
	1690848	RADIO, SGL STATION CRADLE HANDSET KIT (HULL#501->580)		27	1783896	RECEPTACLE, FEMALE 12V LONG THRD BLK NAVIGATOR, SRNII MOUSE REMOTE CNTRL REV II (HULL#615->UP) (SEA RAY NAVIGATOR II 12.1) (SEA RAY NAV.II CHARTPLOTTER W/RADAR OVERLAY)
5	1772695	COMPASS, FLUSH MT 3.75" BLK (NEW STYLE) (HULL#628->UP)		1763058	NAVIGATOR, SRNII MOUSE REMOTE CNTRL (HULL#506->606) (SEA RAY NAVIGATOR II 12.1)	
	1798174	BULB, COMPASS REPL (SUNSHADE) (HULL#628->UP)	28	1666163	AUTO PILOT, RAYPILOT ST7001 DISPLAY ONLY (AUTOPILOT - RAYPILOT ST 7001+)	
	1798175	BULB, COMPASS REPL (FRONT) (HULL#628->UP)		852483	AUTO PILOT, RAYPILOT TYPE I PUMP UNIT (AUTOPILOT - RAYPILOT ST 7001+)	
	141788	COMPASS, FLUSH MT HELMSMAN BLK (HULL#501->627)		1747504	LABEL, COMPASS AREA KEEP AWAY MTL OBJECTS (AUTOPILOT - RAYPILOT ST 7001+)	
	1657816	BULB, COMPASS REPL (141788/156026/783761) (HULL#501->627)	29	1738173	RAIL, GRAB 420DA-03 DASH	
	155754	LABEL, COMPASS	30	1794187	MUFF, P/B 420DA-05 DASH HELM (HULL#673->UP)	
6	1752577	VISOR, DASH 390/420DA-04 DK BRNZ FULL WRAP		1781334	MUFF, P/B 420DA-05 DASH (HULL#501->672) (COCKPIT AIR CONDITION)	
7	1746899	LABEL, DANGER CARBON MONOXIDE (LEXAN)		1745073	BRACE, DR/ABS 420DA-03 HELM BLSTR (HULL#501->666)	
8	1760948	PANEL, BLANK:390DA-04 INST W/SCRFT/GPS/SYSV (FOR PANEL DETAILS SEE INSTRUMENT PANEL SECTION)	<b>HARNESSES</b>			
9	1774836	PANEL, BLANK:390DA-05 CNTRL STA SW GAS		672725	HARNESS, SYNC PORT/STBD DASH 12' (TVD-CUMMINS 6CTA (T-417 PHP) V-DR.INBOARDS)	
	1774837	PANEL, BLANK:390DA-05 CNTRL STA SW DSL (TVD-CUMMINS 6CTA (T-417 PHP) V-DR.INBOARDS) (TVD-CUMMINS 480CE (T-446 PHP) V-DR.INBOARDS)		672733	HARNESS, DASH SYNC 12' (TVD-CUMMINS 6CTA (T-417 PHP) V-DR.INBOARDS)	
10	1744355	LABEL, CAUTION HATCH/CANVAS CURTAIN	<b>LABELS</b>			
11	1769722	PANEL, SYS MON IND (LCD) 2004		1744355	LABEL, CAUTION HATCH/CANVAS CURTAIN	
	984682	MODULE, SYS MON INTERFACE (LCD)		155754	LABEL, COMPASS	
12	1051689	CONTROL, THRTL/SHT W/SS HANDLES W/GOLD KNOBS		1747504	LABEL, COMPASS AREA KEEP AWAY MTL OBJECTS (AUTOPILOT - RAYPILOT ST 7001+)	
	907063	KNOB, CONTROL GOLD SMOOTH		1746899	LABEL, DANGER CARBON MONOXIDE (LEXAN)	
	907097	KNOB, CONTROL GOLD GROOVED W/RED ID		1746045	LABEL, DANGER NO LOOKING DIRECTLY INTO RADOME (RAYMARINE C120 (12") CHART PLOTTER / RADAR)	
	1762415	BEZEL, DOME POLISHED SS FOR MRP#1051689		1746224	LABEL, INFO HELM SAFETY	
	973586	CONTROL, CONVERTER KIT TELEFLEX-TO-MERC		1744738	LABEL, RECEPTACLE 12V-15A MAX (LEXAN)	
13	1752856	LABEL, WARNING LTD VISION FROM HELM STN		1752856	LABEL, WARNING LTD VISION FROM HELM STN	
14	1756730	SPOTLIGHT, MASTER CONTROLLER W/LIGHT TURN-ON (ARC SPOTLIGHT)		1752717	PLATE, NMMA YACHT CERT GAS	
	930263	SPOTLIGHT, ACR HALOGEN WHT 12V (ARC SPOTLIGHT)		1752712	PLATE, NMMA YACHT CERT DSL (HULL#501->508) (TVD-CUMMINS (480CE T-446 PHP) & 6CTA (T-417 PHP) V-DR I/B)	
	845784	BULB, SPOTLIGHT 12V (ARC SPOTLIGHT)	<b>NOT SHOWN</b>			
15	1752717	PLATE, NMMA YACHT CERT GAS		1787504	RECEPTACLE, GFICI DPLX GRY W/IND LIGHT 15A LVT (HULL#566->UP)	
	1752712	PLATE, NMMA YACHT CERT DSL (HULL#501->508) (TVD-CUMMINS (480CE T-446 PHP) & 6CTA (T-417 PHP) V-DR I/B)		1784461	CLEAT, HDPE 420DA-05 CKPT STRG PART "A"	
16	598128	HALON CABLE, MANUAL PULL CABLE 13'		1784462	CLEAT, HDPE 420DA-05 CKPT STRG PART "B"	
	1763559	HALON SYS, REVERSE GAUGE/SWITCH AUTO 500CF		1784463	CLEAT, HDPE 420DA-05 CKPT STRG PART "D"	
	598169	HALON CABLE, MANUAL PULL CABLE 18' (C E OPTION GROUP)		670539	BODY, ROCK SW DPST MOM	
	1266790	FIRE EXT SYS, FM200 500CF GAS/DSL-MAN/AUTO (C E OPTION GROUP)		188391	CLIP, XMAS TREE	
17	739268	BOX, V/F HELM STRG		1195478	DRAIN, PUSH IN 3/8" BLK	
	739276	FACE, DR/ABS HELM STRG W/ACC PLATE		731000	FUSE, BLADE TYPE CLOSED 10A	
	1266063	DRINKHOLDR, PLAS 4" X 3" MUG SZ WHT		731034	FUSE, BLADE TYPE CLOSED 5A	
18	137380	LIGHT, NAV STERN FLUSH MT CKPT		1733784	KEY RING, RND MTL RIM	
	1200369	BULB, REPL FOR #0137380/#0783670		1757693	RECEPTACLE, GFICI DUPLEX GRY W/INDCT LIGHT 15A (HULL#501->565)	
19	1684124	SPEAKER, REMOTE VHF 230 EXTERNAL W/VOL CNTRL		146761	TAPE, FOAM SGL FACE BLK VINYL 1/8" X 1/4"	
20	1738115	STEERING WHEEL, 3-SPOKE WOOD W/URETH PAD		1501782	HOSE, CONDUIT/SPLIT 1/2" FLAME RETARDANT	
	1683795	STEERING WHEEL, RING FOR 1526292/1738115				
	758599	HUB KIT, STEERING WHEEL DINO 332				
	1340561	STEERING WHEEL, SPOKE CVR W/RING FOR #1298017				
	1743361	STEERING WHEEL, RND CHR MEDALLION HLDR				

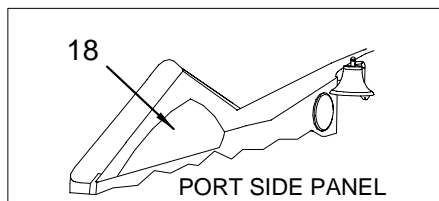
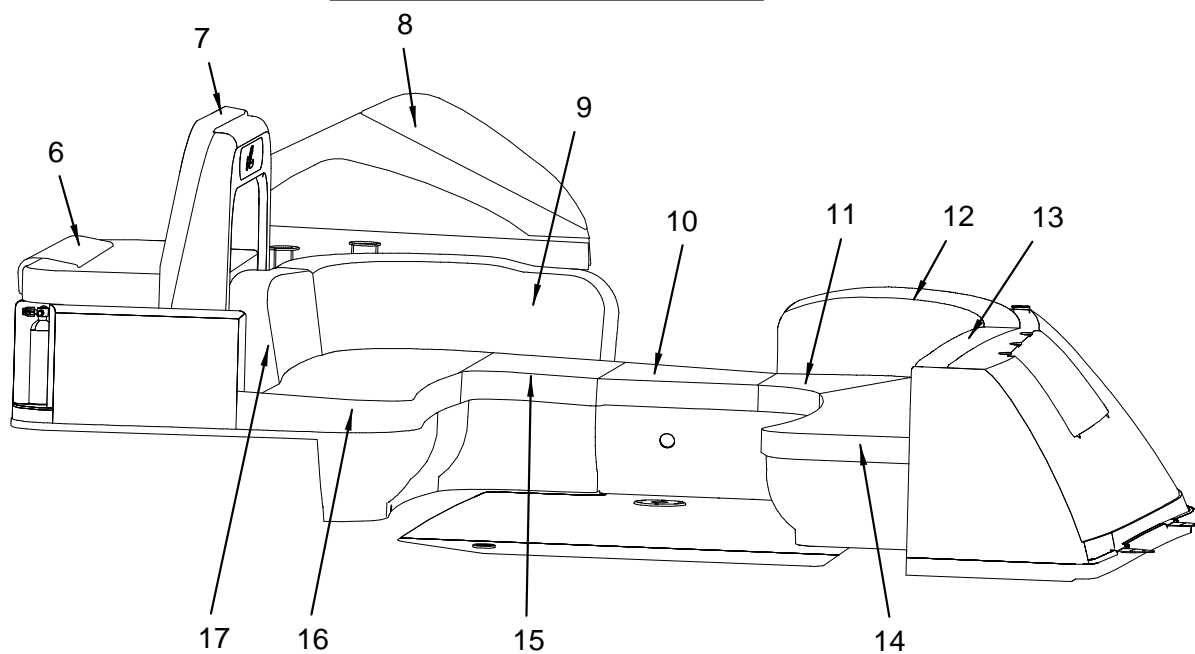
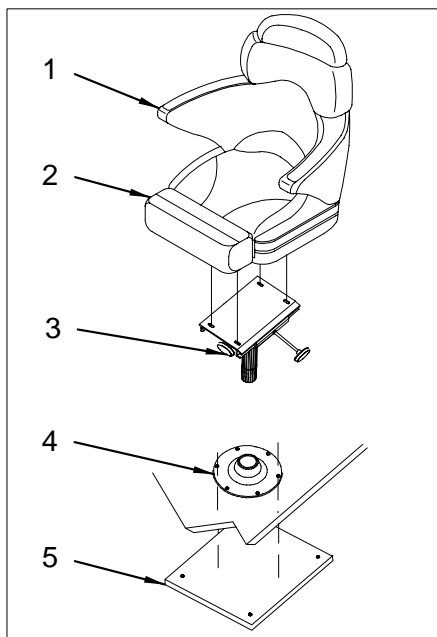
**CONTROL STATION COMPONENT BOARD**



**CONTROL STATION COMPONENT BOARD**

- 1 1736218 BOARD, P/B 420DA-03 UPR CNTRL STAT COMPONENT
- 2 1478957 GPS, RAYNAV 300 GPS W/WAAS SENSOR
- 1800496 GPS, RAYSTAR RS125 SENSOR NMEA & SEATALK
- 1592617 GPS, RAYSTAR RS120 SENSOR SEATALK WAAS
- 1478973 FLUSH MOUNT KIT, RAYNAV 300 GPS
- 731034 FUSE, BLADE TYPE CLOSED 5A
- 3 1781360 RADIO, VHF RAYMARINE RAY 240  
(HULL#581->UP)
- 1683806 RADIO, VHF RAYTHEON RAY 230  
(HULL#501->580)
- 1684124 SPEAKER, REMOTE VHF 230 EXTERNAL W/VOL CNTRL  
(HULL#501->580)
- 1690848 RADIO, SGL STATION CRADLE HANDSET KIT  
(HULL#501->580)
- 4 1013606 BUSS BAR, SGL POST 3/8-16
- 5 1507326 ACC PART, MERC S-CRFT JUNC BOX 4-WAY
- 6 1612761 AUTO PILOT, RAYPILOT TYPE 1 T150 CORE PACK  
(AUTOPILOT - RAYPILOT ST 7001+)
- 7 1013614 BUSS BAR, DC GROUND 10-POSITION
- 8 937490 FUSE BLOCK, 10-GNG BLADE-TYPE ELECTRONICS
- 9 828103 RELAY, SPST 12V/40A
- 10 1778071 ACC PART, MERC S-CRFT J BOX WEATHER CAP 10POS
- 11 1736219 BOARD, P/B 420DA-03 LWR CNTRL STAT COMPONENT
- 12 1733780 MODULE, WIPER INTMNT CONT

COCKPIT (UPHOLSTERY)



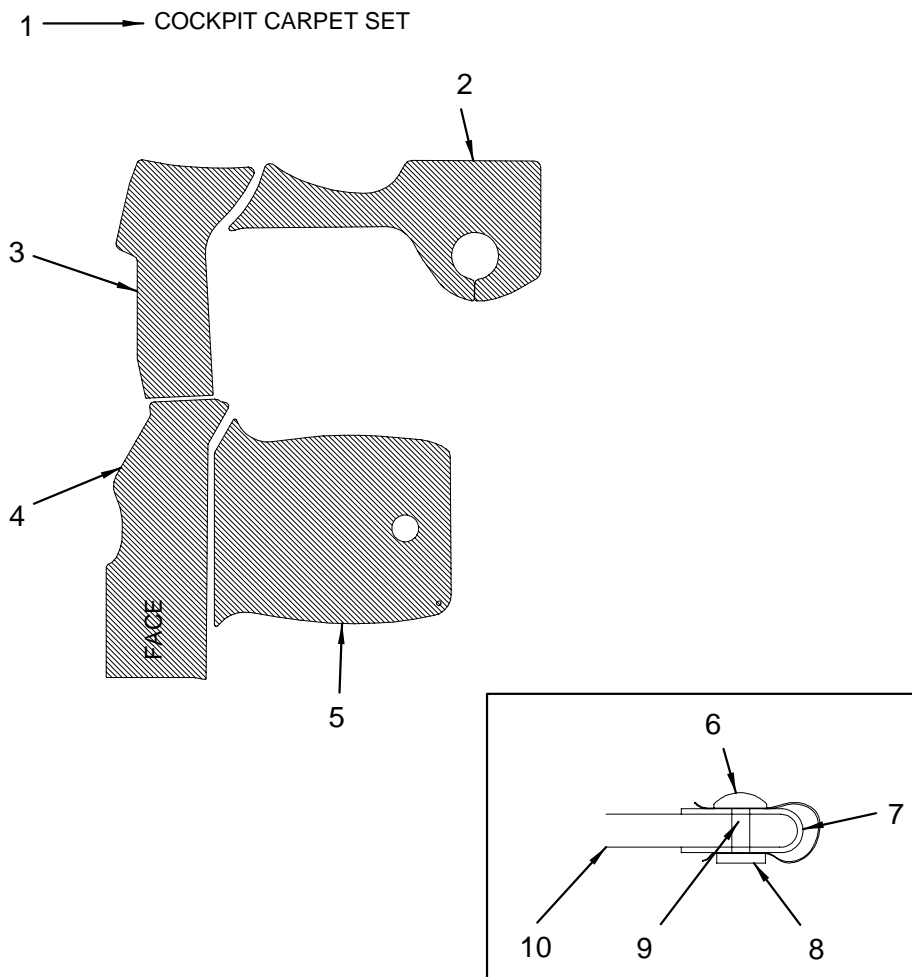
## COCKPIT (UPHOLSTERY)

1	1740747	HELMSEAT, YACHT-03 W/THRS SSW GREY	12	1784704	420DA 05,BLSTR,AFT CRNR CKPT
	1787232	HELMSEAT, YACHT-03 W/THRS SKIN SSW GREY		1784705	420DA 05,BLSTR SKN,AFT CRNR CKPT
	1787233	HELMSEAT, YACHT-03 W/THRS ARMREST SSW GREY		1782070	FOAM, P/C 420DA-05 COCKPIT BOLSTER KIT
	1787235	HELMSEAT, YACHT-03 W/THR ARMRST SKN SSW GREY	13	1784706	420DA 05,BLSTR,AFT CKPT
	1787236	HELMSEAT, YACHT-03 W/THRS FRAME SSW GREY		1784707	420DA 05,BLSTR SKN,AFT CKPT
	1787238	HELMSEAT, YACHT-03 W/THRS FRAME SKN SSW GREY		1782070	FOAM, P/C 420DA-05 COCKPIT BOLSTER KIT
	1787239	HELMSEAT, YACHT-03 W/THRS HEADREST SSW GREY	14	1784708	420DA 05,CUSH,AFT CKPT
	1787240	HELMSEAT, YACHT-03 W/THRS HDRST SKN SSW GREY		1784709	420DA 05,CUSH SKN,AFT CKPT
	1787241	HELMSEAT, YACHT-03 W/THRS LWR BACK SSW GREY		1775389	BOARD, P/B 420DA-04 STB AFT BNCHST
	1787243	HELMSEAT, YACHT-03 W/THRS LWRBCK SKN SSW GREY		1775388	BOARD, P/B 420DA-04 CKPT AFT BNCHST
	1787246	HELMSEAT, YACHT-03 W/THRS BTM CUSH SSW GREY		1774419	FOAM, P/C 420DA-04 AFT BENCH SEAT
	1787247	HELMSEAT, YACHT-03 W/THRS BTMCUSH SKNSSW GREY		609883	CLEAT, PLAS 3/4"X 1"X 4" GREY
	1787248	HELMSEAT, YACHT-03 W/THRS MID BACK SSW GREY	15	1784710	420DA 05,CUSH,AFT FCNG CRNR CKPT
	1787249	HELMSEAT, YACHT-03 W/THRS MIDBACK SKNSSW GREY		1784711	420DA 05,CUSH SKN,AFT FCNG CRNR CKPT
	1787250	HELMSEAT, YACHT-03 W/TR LWR BACK CUSH SSW GRY		609883	CLEAT, PLAS 3/4"X 1"X 4" GREY
	1787251	HELMSEAT, YACHT-03 W/TR LWRBK CSH SKNSSW GREY	16	1784712	420DA 05,CUSH,AFT FCNG CKPT
	1752556	HELMSEAT, YACHT-04 W/SHORE NAVY		1784713	420DA 05,CUSH SKN,AFT FCNG CKPT
		<b>(HULL GEL-COATED BLUE W/ WHITE BOOT STRIPES)</b>		1774487	FOAM, P/C 420DA-04 AFT FACING SEAT RV1
	1757815	HELMSEAT, YACHT-04 W/SHORE THGHRN NAVY		1775386	BOARD, P/B 420DA-04 AFT FACING SEAT
		<b>(HULL GEL-COATED BLUE W/ WHITE BOOT STRIPES)</b>		1781219	PANEL, P/B 420DA-05 AFT FACE CRN B/R MODULE
	1787252	HELMSEAT, YACHT-04 W/SHORE ARMREST NAVY		609883	CLEAT, PLAS 3/4"X 1"X 4" GREY
		<b>(HULL GEL-COATED BLUE W/ WHITE BOOT STRIPES)</b>	17	1784714	420DA 05,BLSTR,AFT FCNG CKPT
	1787253	HELMSEAT, YACHT-04 W/SHORE ARMREST SKN NAVY		1784715	420DA 05,BLSTR SKN,AFT FCNG CKPT
		<b>(HULL GEL-COATED BLUE W/ WHITE BOOT STRIPES)</b>		1782068	FOAM, P/C 420DA-05 AFT FACING SEAT BLSTR KIT
	1787254	HELMSEAT, YACHT-04 W/SHORE FRAME NAVY		1781218	PANEL, HDPE 420DA-05 AFT CRNR & B/R MODULE
		<b>(HULL GEL-COATED BLUE W/ WHITE BOOT STRIPES)</b>	18	1784666	420DA 05,PNL,SPOILER PRT CKPT
	1787255	HELMSEAT, YACHT-04 W/SHORE FRAME SKN NAVY		1781223	PANEL, P/B 420DA-05 CKPT PORT SIDE
		<b>(HULL GEL-COATED BLUE W/ WHITE BOOT STRIPES)</b>		1735817	FOAM, P/C 420DA-03 CKPT ACCNT SIDE PNLS P/S
	1787256	HELMSEAT, YACHT-04 W/SHORE HEADREST NAVY			
		<b>(HULL GEL-COATED BLUE W/ WHITE BOOT STRIPES)</b>			
	1787257	HELMSEAT, YACHT-04 W/SHORE HEADREST SKN NAVY			
		<b>(HULL GEL-COATED BLUE W/ WHITE BOOT STRIPES)</b>			
	1787258	HELMSEAT, YACHT-04 W/SHORE LWR BACK NAVY			
		<b>(HULL GEL-COATED BLUE W/ WHITE BOOT STRIPES)</b>			
	1787259	HELMSEAT, YACHT-04 W/SHORE LWR BACK SKN NAVY			
		<b>(HULL GEL-COATED BLUE W/ WHITE BOOT STRIPES)</b>			
	1787261	HELMSEAT, YACHT-04 W/SHORE BTM CUSH NAVY			
		<b>(HULL GEL-COATED BLUE W/ WHITE BOOT STRIPES)</b>			
	1787262	HELMSEAT, YACHT-04 W/SHORE BTM CUSH SKN NAVY			
		<b>(HULL GEL-COATED BLUE W/ WHITE BOOT STRIPES)</b>			
	1787263	HELMSEAT, YACHT-04 W/SHORE MID BACK CUSH NAVY			
		<b>(HULL GEL-COATED BLUE W/ WHITE BOOT STRIPES)</b>			
	1787264	HELMSEAT, YACHT-04 W/SHORE MIDBK CUSH SKNNAVY			
		<b>(HULL GEL-COATED BLUE W/ WHITE BOOT STRIPES)</b>			
	1787265	HELMSEAT, YACHT-04 W/SHORE LWR BCK CUSH NAVY			
		<b>(HULL GEL-COATED BLUE W/ WHITE BOOT STRIPES)</b>			
	1787266	HELMSEAT, YACHT-04 W/SHORE LWRBK CUSH SKNNAVY			
		<b>(HULL GEL-COATED BLUE W/ WHITE BOOT STRIPES)</b>			
	1757814	HELMSEAT, YACHT-04 W/SHORE SKN NAVY			
		<b>(HULL GEL-COATED BLUE W/ WHITE BOOT STRIPES)</b>			
2	1787244	HELMSEAT, YACHT-03 W/THRS LEGROLL SSW GREY			
	1787245	HELMSEAT, YACHT-03 W/THRS LEGROLL SKNSSW GREY			
	1757815	HELMSEAT, YACHT-04 W/SHORE THGHRN NAVY			
		<b>(HULL GEL-COATED BLUE W/ WHITE BOOT STRIPES)</b>			
	1787260	HELMSEAT, YACHT-04 W/SHORE LEGROLL SKN NAVY			
		<b>(HULL GEL-COATED BLUE W/ WHITE BOOT STRIPES)</b>			
3	1763530	PEDESTAL/SLIDE, CMDR W/COLLAR 14.25"/18.25"			
4	1269422	PLATE, HELM SEAT BASE DETACHABLE			
5	1229103	PLATE, ALUM 3/8"X 14"X 14" H/S BACKING			
6	1784679	420DA 05,CUSH,COMP SEAT CKPT			
	1784680	420DA 05,CUSH SKN,COMP SEAT CKPT			
	1750250	FOAM, P/C 420DA-03 CKPT COMP SEAT/BCKRST RV1			
	1781220	BOARD, HDPE 420DA-05 CKPT COMP SEAT (5PC)			
7	1784681	420DA 05,B/R,COMP SEAT CKPT			
	1784682	420DA 05,B/R SKN,COMP SEAT CKPT			
	1750250	FOAM, P/C 420DA-03 CKPT COMP SEAT/BCKRST RV1			
8	1784668	420DA 05,PNL,SPOILER STB CKPT			
	1781224	PANEL, P/B 420DA-05 CKPT STBD SIDE			
	1781225	PANEL, P/B 420DA-05 CKPT STBD A/C OPT			
		<b>(COCKPIT AIR CONDITION)</b>			
	1735817	FOAM, P/C 420DA-03 CKPT ACCNT SIDE PNLS P/S			
9	1784698	420DA 05,BLSTR,AFT FCNG CRNR CKPT			
	1784699	420DA 05,BLSTR SKN,AFT FCNG CRNR CKPT			
	1774417	FOAM, P/C 420DA-04 STB FWD CRNR SEAT			
10	1784700	420DA 05,CUSH,STD CKPT			
	1784701	420DA 05,CUSH SKN,STD CKPT			
	1755449	FOAM, P/C 420DA-04 STEP CUSH STB			
	1737738	BOARD, P/B 420DA-03 CKPT STB SEAT			
11	1784702	420DA 05,CUSH,AFT CRNR CKPT			
	1784703	420DA 05,CUSH SKN,AFT CRNR CKPT			
	1775387	BOARD, P/B 420DA-04 STB AFT FACING CRNR SEAT			
	1774418	FOAM, P/C 420DA-04 STB AFT CRNR SEAT			
	609883	CLEAT, PLAS 3/4"X 1"X 4" GREY			

## NOT SHOWN

	1618685	VINYL, SLIT 1.5" DADE PEWTER MIST EXP
	1760789	VINYL, SLIT 1.5" DADE SHORE NAVY EXP FLAT <b>(HULL# 506-&gt;UP) (HULL GEL-COATED BLUE W/ WHITE BOOT STRIPES)</b>
	1753133	VINYL, SLIT 1.5" NAVY SHORE EXP <b>(HULL#501-&gt;505) (HULL GEL-COATED BLUE W/ WHITE BOOT STRIPES)</b>
	1765704	INSERT, 60X24 SSW W/GRY SCRIPT #1602
	1781215	INSERT, 60X24 SSW W/NAVY SCRIPT <b>(HULL GEL-COATED BLUE W/ WHITE BOOT STRIPES)</b>
	1765705	INSERT, 36X24 SSW W/GREY SCPT #1602 <b>(HULL#692-&gt;UP)</b>
	1738135	INSERT, 34X28 SSW 1/4"LAM W/8.5"GREY SCPT <b>(HULL#503-&gt;691)</b>
	1752651	INSERT, 34X28 SSW 1/4"LAM W/8.5"NAVY SCPT <b>(HULL GEL-COATED BLUE W/ WHITE BOOT STRIPES)</b>
	1619626	VINYL, DADE PEWTER MIST EXP FLAT
	1761794	VINYL, DADE SHORE NAVY EXP FLAT <b>(HULL# 525-&gt;UP)(HULL GEL-COATED BLUE W/ WHITE BOOT STRIPES)</b>
	1752563	VINYL, SHORE NAVY FLAT <b>(HULL# 501-&gt;524)(HULL GEL-COATED BLUE W/ WHITE BOOT STRIPES)</b>
	1143007	VINYL, SLIT 1.5" SEABROOK D SEA WHT EXP
	1143023	VINYL, SLIT 3" SEABROOK D SEA WHT EXP
	154138	WASHER, FENDER 3/8"X 1.25" SS
	1745052	FOAM, P/C 380/420DA-03 CLOSED CELL FILR
	1761324	VINYL, SEABROOK D SEA WHITE 1/4"/F/B W/ADH
	177709	THREAD, NYLON MONO EE-NYMO BOBBIN WHT
	268466	FABRIC, DYMETROL
	581827	WELT, WELT CORD SYNTHETIC 5/32"X 1250'
	598029	VINYL, SLIT 8" WHITE MESH
	664953	FOAM, ETHAFOAM 3/8"X 2100LF (GREEN ROD)
	846436	FOAM, ETHAFOAM 1/4" DIA GRAY
	847061	THREAD, EE-NYMO 16OZ NATURAL
	177691	THREAD, NYLON MONO EE-NYMO BOBBIN NATURAL
	1794187	MUFF, P/B 420DA-05 DASH HELM
	1794096	MUFF, P/B 420DA-05 DASH W/CKPT A/C OPT

**COCKPIT (SNAP-IN CARPET LINER)**



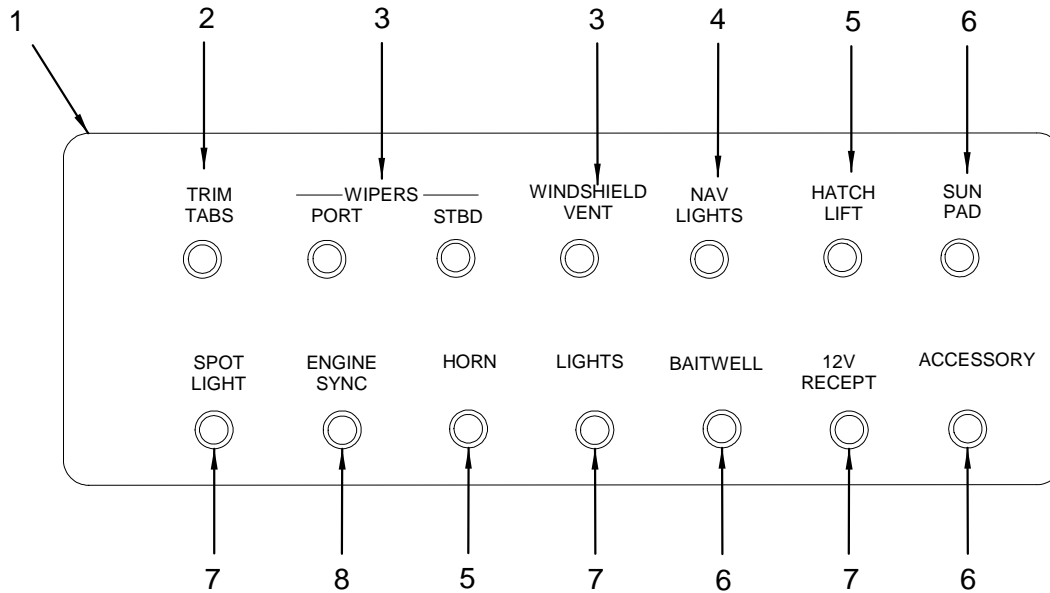
**COCKPIT (SNAP-IN CARPET LINER)**

- 1 1784683 420DA 05,CARPET,CKPT CMPLT
- 2 1784696 420DA 05,CARPET,HELM CKPT
- 3 1784685 420DA 05,CARPET,PRT FWD CKPT
- 4 1784684 420DA 05,CARPET,PRT AFT CKPT
- 5 1784697 420DA 05,CARPET,STB CKPT
- 6 1574771 SNAP BUTTON, W/1/4" BARREL BLK
- 7 1218205 BINDING, CANVAS 1" TOAST TWEED SNBRLA
- 8 779041 SNAP SOCKET, HARD ACTION
- 9 154369 SNAP STUD, W/#8 X 3/8" PH SS
- 10 1609916 CARPET, EXT 28 OZ DUNE PEBBLE #902 RL 7"W

**NOT SHOWN**

- 1744510 PAD, VIBRATION P/C 1/2"X 2"X 4" CKPT LINER

**CONTROL STATION BREAKER PANEL**



**CONTROL STATION BREAKER PANEL**

- 1 1784716 420DA 05,PNL,BLANK:CNTRL BRKR
- 2 775759 BRKR, P/BTN-MANUAL RESET 20A W/SCREW TER
- 3 775767 BRKR, P/BTN-MANUAL RESET 5A W/SCREW TER
- 4 533026 BRKR, P/BTN-MANUAL RESET 10A W/SCREW TER
- 5 839969 BRKR, P/BTN-MANUAL RESET 25A W/SCREW TER
- 6 179671 PLUG, HOLE 3/8" BLK
- 7 775783 BRKR, P/BTN-MANUAL RESET 15A W/SCREW TER
- 8 775775 BRKR, P/BTN-MANUAL RESET 7A W/SCREW TER  
(ENGINE SYNCHRONIZER-GAS ENGINES)  
(ENGINE SYNCHRONIZER-DIESEL ENGINES)

**NOT SHOWN**

- 1398700 PLUG KIT, DEUTSCH DT06-12S PLUG W/SCKT
- 1408368 PLUG KIT, DEUTSCH DTP04-4P RECPT W/PIN
- 1686649 PLUG KIT, DEUTSCH F/C 10-12AWG PIN
- 1314087 PLUG KIT, DEUTSCH S/C 14-16AWG SCKT
- 1408418 PLUG KIT, DEUTSCH SEC LOCK PLUG 4-POS
- 1398601 PLUG KIT, DEUTSCH SEC LOCK SCKT 12-POS



## SWITCH PANEL (GAS)

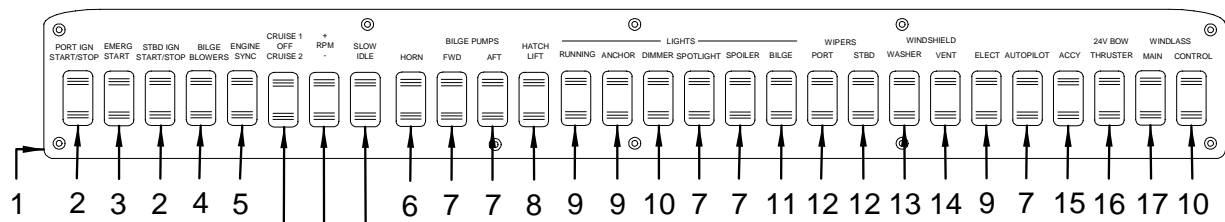
- 1 1774836 PANEL, BLANK:390DA-05 CNTRL STA SW GAS
- 1456565 GROMMET, RBR SWITCH/GAUGE PANEL .062
- 2 179853 LIGHT, INDICATOR GREEN 15V
- 3 1323070 ACTUATOR, ROCK BLK W/O LENS ENG STRT/STP
- 670521 BODY, ROCK SW 2 CKT PROG
- 4 681486 ACTUATOR, ROCK BLK W/O LENS ACCY
- 767194 BODY, ROCK SW SPDT MOM W/BLK BASE
- 5 679324 ACTUATOR, ROCK BLK W/BLOCK LENS ACCY
- 799304 BODY, ROCK SW SPST (MOM) BLK W/IND INC LAMP
- 6 679324 ACTUATOR, ROCK BLK W/BLOCK LENS ACCY
- 648097 BODY, ROCK SW SPST BLK 12V INCAND
- (ENGINE SYNCHRONIZER - GAS ENGINES)
- 7 759084 ACTUATOR, ROCK VERT BLK W/RED HORN SYMBOL
- 679332 BODY, ROCK SW SPST MOM
- 8 679324 ACTUATOR, ROCK BLK W/BLOCK LENS ACCY
- 648097 BODY, ROCK SW SPST BLK 12V INCAND
- 9 679324 ACTUATOR, ROCK BLK W/BLOCK LENS ACCY
- 681510 BODY, ROCK SW DPST 12V W/INC LAMP
- 10 681486 ACTUATOR, ROCK BLK W/O LENS ACCY
- 767194 BODY, ROCK SW SPDT MOM W/BLK BASE
- 955674 SWITCH, DIMMER CONSOLE-ELECTRONIC 5A
- 11 681486 ACTUATOR, ROCK BLK W/O LENS ACCY
- 648097 BODY, ROCK SW SPST BLK 12V INCAND
- 12 681486 ACTUATOR, ROCK BLK W/O LENS ACCY
- 1734113 BODY, ROCK SW SPDT WIPER/ON/OFF/INT
- 13 681486 ACTUATOR, ROCK BLK W/O LENS ACCY
- 679332 BODY, ROCK SW SPST MOM
- 14 681486 ACTUATOR, ROCK BLK W/O LENS ACCY
- 773879 BODY, ROCK SW DPDT (MOM) BLK W/O JUMPER
- 15 432872 PLUG, BRKR/ROCK
- 16 679324 ACTUATOR, ROCK BLK W/BLOCK LENS ACCY
- 932871 BODY, ROCK SW DPDT MOM 24V W/INDEP INC LAMP
- (BOW THRUSTER)
- 17 681486 ACTUATOR, ROCK BLK W/O LENS ACCY
- 773879 BODY, ROCK SW DPDT (MOM) BLK W/O JUMPER
- 18 679324 ACTUATOR, ROCK BLK W/BLOCK LENS ACCY
- 1260231 BODY, ROCK SW DPDT (MOM) 12V W/INDEP LED
- 19 679324 ACTUATOR, ROCK BLK W/BLOCK LENS ACCY
- 681510 BODY, ROCK SW DPST 12V W/INC LAMP

## NOT SHOWN

- 1204106 LIGHT, W/INVERTER WIRE LAMP 12V 4FT
- 1313758 PLUG KIT, DEUTSCH DT04-2P RECPT W/PIN
- 1408368 PLUG KIT, DEUTSCH DTP04-4P RECPT W/PIN
- 1408384 PLUG KIT, DEUTSCH DTP06-4S PLUG W/SCKT
- 1398650 PLUG KIT, DEUTSCH DT04-6P RECPT W/PIN
- 1398676 PLUG KIT, DEUTSCH DT04-8P RECPT W/PIN
- 1398684 PLUG KIT, DEUTSCH DT06-8S PLUG W/SCKT
- 1398692 PLUG KIT, DEUTSCH DT04-12P RECPT W/PIN
- 1740812 PLUG KIT, DEUTSCH DTM06-12SA PLUG W/SCKT
- 1686649 PLUG KIT, DEUTSCH F/C 10-12AWG PIN
- 1717517 PLUG KIT, DEUTSCH F/C 10-12AWG SCKT
- 1376052 PLUG KIT, DEUTSCH HDP24-24-16-PN
- 1376060 PLUG KIT, DEUTSCH HDP24-24-23-PN
- 1408434 PLUG KIT, DEUTSCH S/C 12-14AWG PIN
- 1408467 PLUG KIT, DEUTSCH S/C 12-14AWG SCKT
- 1314079 PLUG KIT, DEUTSCH S/C 14-16AWG PIN
- 1314087 PLUG KIT, DEUTSCH S/C 14-16AWG SCKT
- 1741427 PLUG KIT, DEUTSCH S/F 20AWG SCKT
- 1364751 PLUG KIT, DEUTSCH SEC LOCK PLUG 4-POS
- 1408418 PLUG KIT, DEUTSCH SEC LOCK PLUG 4-POS
- 1398643 PLUG KIT, DEUTSCH SEC LOCK PLUG 6-POS
- 1398619 PLUG KIT, DEUTSCH SEC LOCK PLUG 8-POS
- 1398593 PLUG KIT, DEUTSCH SEC LOCK PLUG 12-POS
- 1740887 PLUG KIT, DEUTSCH SEC LOCK PLUG 12-POS
- 1313808 PLUG KIT, DEUTSCH SEC LOCK SCKT 2-POS
- 1408426 PLUG KIT, DEUTSCH SEC LOCK SCKT 4-POS
- 1398627 PLUG KIT, DEUTSCH SEC LOCK SCKT 8-POS



SWITCH PANEL (DIESEL)



SUPPLIED WITH CUMMINS ENGINE

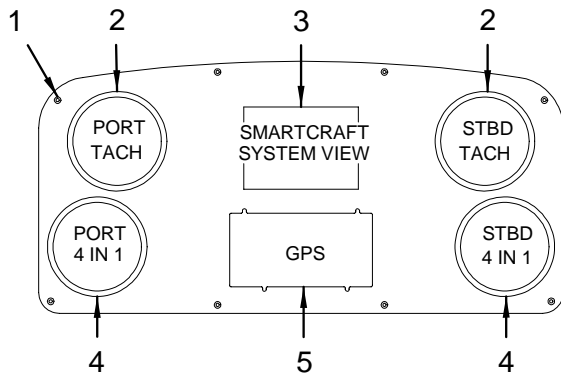
## SWITCH PANEL (DIESEL)

- 1 1774837 PANEL, BLANK:390DA-05 CNTRL STA SW DSL
- 1456565 GROMMET, RBR SWITCH/GAUGE PANEL .062
- 2 1323070 ACTUATOR, ROCK BLK W/O LENS ENG STRT/STP
- 670521 BODY, ROCK SW 2 CKT PROG
- 3 681486 ACTUATOR, ROCK BLK W/O LENS ACCY
- 767194 BODY, ROCK SW SPDT MOM W/BLK BASE
- 4 679324 ACTUATOR, ROCK BLK W/BLOCK LENS ACCY
- 799304 BODY, ROCK SW SPST (MOM) BLK W/IND INC LAMP
- 5 679324 ACTUATOR, ROCK BLK W/BLOCK LENS ACCY
- 681502 BODY, ROCK SW SPST 12V W/INDEP INC LAMP  
**(ENGINE SYNCHRONIZER - DIESEL ENGINES)**
- 6 759084 ACTUATOR, ROCK VERT BLK W/RED HORN SYMBOL
- 679332 BODY, ROCK SW SPST MOM
- 7 679324 ACTUATOR, ROCK BLK W/BLOCK LENS ACCY
- 648097 BODY, ROCK SW SPST BLK 12V INCAND
- 8 681486 ACTUATOR, ROCK BLK W/O LENS ACCY
- 773879 BODY, ROCK SW DPDT (MOM) BLK W/O JUMPER
- 9 679324 ACTUATOR, ROCK BLK W/BLOCK LENS ACCY
- 681510 BODY, ROCK SW DPST 12V W/INC LAMP
- 10 681486 ACTUATOR, ROCK BLK W/O LENS ACCY
- 767194 BODY, ROCK SW SPDT MOM W/BLK BASE
- 11 681486 ACTUATOR, ROCK BLK W/O LENS ACCY
- 648097 BODY, ROCK SW SPST BLK 12V INCAND
- 12 681486 ACTUATOR, ROCK BLK W/O LENS ACCY
- 1734113 BODY, ROCK SW SPDT WIPER/ON/OFF/INT
- 13 681486 ACTUATOR, ROCK BLK W/O LENS ACCY
- 679332 BODY, ROCK SW SPST MOM
- 14 681486 ACTUATOR, ROCK BLK W/O LENS ACCY
- 773879 BODY, ROCK SW DPDT (MOM) BLK W/O JUMPER
- 15 433193 PLUG, ROCKER SWITCH
- 16 679324 ACTUATOR, ROCK BLK W/BLOCK LENS ACCY
- 932871 BODY, ROCK SW DPDT MOM 24V W/INDEP INC LAMP  
**(BOW THRUSTER)**
- 17 679324 ACTUATOR, ROCK BLK W/BLOCK LENS ACCY
- 1260231 BODY, ROCK SW DPDT (MOM) 12V W/INDEP LED

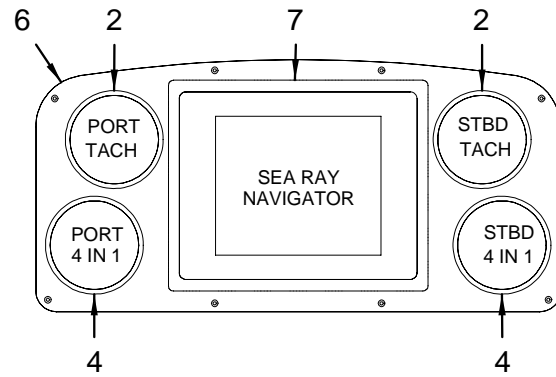
## NOT SHOWN

- 1204106 LIGHT, W/INVERTER WIRE LAMP 12V 4FT

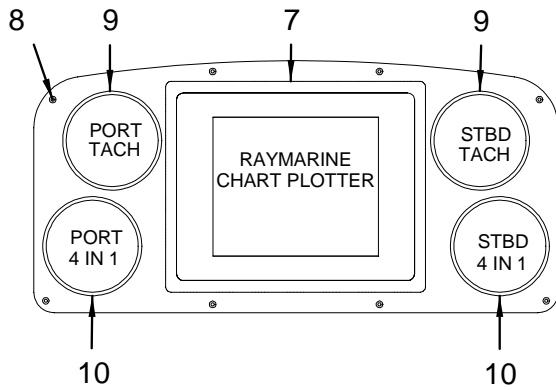
INSTRUMENT PANELS



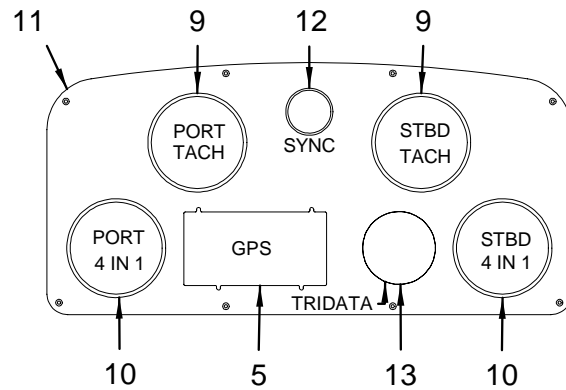
SEARAY NAVIGATOR



RAYMARINE C80 & C120  
GPS CHARTPLOTTER



CUMMINS V-DRIVE INBOARD



## INSTRUMENT PANELS

## NOT SHOWN (continued)

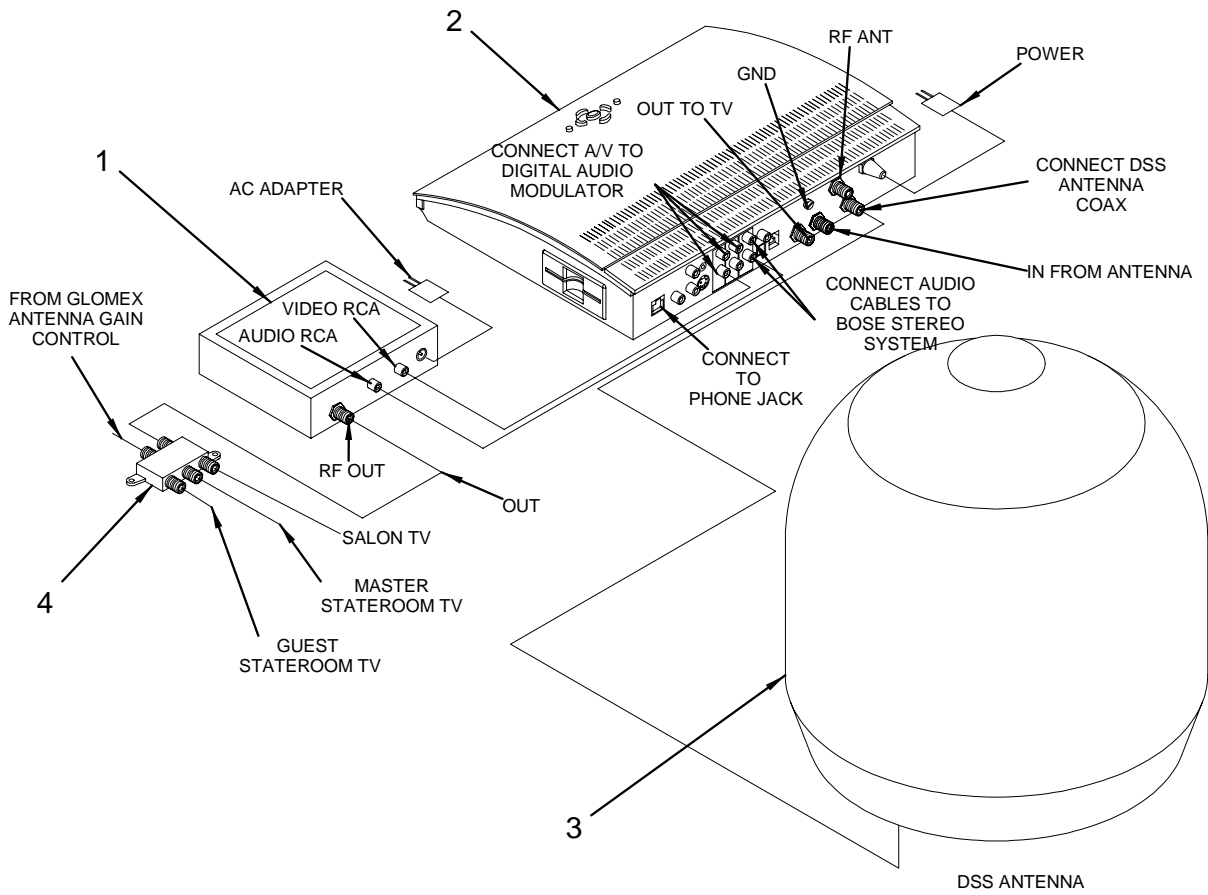
- 1 1760948 PANEL, BLANK:390DA-04 INST W/SCRFT/GPS/SYSV  
1793510 PANEL, 390/420DA-05 INST W/SCRFT&6000I-10"  
(AUXILIARY NORTHSTAR 6000I GPS/ CHARTPLOTTER)  
1793508 PANEL, 390/420DA-05 INST W/TEFLX & 6000I-10"  
(AUXILIARY NORTHSTAR 6000I)  
1456565 GROMMET, RBR SWITCH/GAUGE PANEL .062  
2 1608934 GAUGE, TACH 5" S-CRFT 0-6000RPM  
1690513 GAUGE, TACH VDO 0-4000 RPM  
(TVD-CUMMINS 480CE (T-446 PHP) V-DR.INBOARDS)  
1690382 NUT, LOCK 110MM SPIN LOCK VDO  
3 1610385 ACC PART, MERC S-CRFT SYS VIEW  
1690376 ACC PART, MERC S-CRFT AIR TEMP SENSOR  
4 1609007 GAUGE, 5" 4-IN-1 FUEL/VOLT/OIL/TMP S-CRFT  
1690382 NUT, LOCK 110MM SPIN LOCK VDO  
5 1478957 GPS, RAYNAV 300 GPS W/WAAS SENSOR  
1800496 GPS, RAYSTAR RS125 SENSOR NMEA & SEATALK  
1478973 FLUSH MOUNT KIT, RAYNAV 300 GPS  
1592617 GPS, RAYSTAR RS120 SENSOR SEATALK WAAS  
(RAYMARINE C120 (12") CHART PLOTTER / RADAR)  
(RAYMARINE - C80 GPS CHARTPLOTTER)  
6 1759635 PANEL, BLANK:390DA-04 INST S-CRFT W/SRN II  
(SEA RAY NAVIGATOR II 12.1 CHARTPLOTTER)  
1781945 PANEL, BLANK:420DA-05 INST CUM 6CTA W/SRN II  
(DIESEL CUMM 6CTA & SRN II)  
1456565 GROMMET, RBR SWITCH/GAUGE PANEL .062  
(SEA RAY NAVIGATOR II 12.1 CHARTPLOTTER)  
7 1757377 NAVIGATOR, SRNII MODEL 12.1 COMPUTER  
(SEA RAY NAVIGATOR II 12.1 CHARTPLOTTER)  
(SEA RAY NAV.II CHARTPLOTTER W/RADAR OVERLAY)  
1772722 NAVIGATION DISPLAY, RAYMARINE C120 12" CLR LCD  
(RAYMARINE C120 (12") CHART PLOTTER / RADAR)  
1772721 NAVIGATION DISPLAY, RAYMARINE C80 8" CLR LCD  
(RAYMARINE - C80 GPS CHARTPLOTTER)  
1799696 NAVIGATION DISPLAY, RAYMARIN C80 8"LCD SUNCVR  
(RAYMARINE - C80 GPS CHARTPLOTTER)  
8 1773171 PANEL, 390DA-05 INST S-CRFT W/C-120 RAY  
(RAYMARINE C120 (12") CHART PLOTTER / RADAR)  
1780645 PANEL, BLANK:420DA-05 INST DSL W/RAY C-120  
(C120 RADAR AND SMALL CUMMINS DSL)  
1786370 PANEL, BLANK:390/420DA-05 INST W/C-80  
(RAYMARINE - C80 GPS CHARTPLOTTER)  
1786000 PANEL, BLANK 420DA-05 INST CUM 6CTA C-80  
(DIESEL 6CTA & C80 CHARTPLOTTER)  
1456565 GROMMET, RBR SWITCH/GAUGE PANEL .062  
9 1767752 GAUGE, TACH/LCDHOUR 5"4K MAG P/U 12V W/PIGTL  
(TVD-CUMMINS 6CTA (T-417 PHP) V-DR.INBOARDS)  
10 1767753 GAUGE, TELE 4/1 SR-5"100PSI 240F V/F STB PGTL  
(TVD-CUMMINS 6CTA (T-417 PHP) V-DR.INBOARDS)  
11 1781907 PANEL, BLANK:420DA-05 INST DSL CUM 6CTA MLL  
(TVD-CUMMINS 6CTA (T-417 PHP) V-DR.INBOARDS)  
1456565 GROMMET, RBR SWITCH/GAUGE PANEL .062  
(TVD-CUMMINS 6CTA (T-417 PHP) V-DR.INBOARDS)  
12 1767751 GAUGE, ENG SYNC 2" MLSS W/PIGTL  
(TVD-CUMMINS 6CTA (T-417 PHP) V-DR.INBOARDS)  
485359 SENDING UNIT, ENG SYNC MODULE (CUMMINS)  
(TVD-CUMMINS 6CTA (T-417 PHP) V-DR.INBOARDS)  
13 1408590 TRIDATA, RAYTHEON (DEPTH,SPEED,TEMP.LOG)  
(TVD-CUMMINS 6CTA (T-417 PHP) V-DR.INBOARDS)  
933853 TRANSDUCER, DEPTH RETRACTABLE VALOX RAYDATA  
(TVD-CUMMINS 6CTA (T-417 PHP) V-DR.INBOARDS)  
933861 TRANSDUCER, SPEED SELF SEALING VALOX RAYDATA  
(TVD-CUMMINS 6CTA (T-417 PHP) V-DR.INBOARDS)  
1801244 DEPTH FINDER, DIGITAL SOUNDR MODL HSB2/DSM300  
(HULL#693->UP) (RAYMARINE DSM250 FISH FINDER)  
1772045 DEPTH FINDER, DIGITAL SOUNDR MODL HSB2/DSM250  
(HULL#621->692) (RAYMARINE DSM250 FISH FINDER)  
1795499 TRANSDUCER, DEPTH/TEMP FOR DSM250 FISHFINDER  
(HULL#636->UP) (RAYMARINE DSM250 FISH FINDER)  
1782094 TRANSDUCER, DEPTH FOR DSM250 FISHFINDER NYLON  
(HULL#501->629) (RAYMARINE DSM250 FISH FINDER)

## NOT SHOWN

- 1507326 ACC PART, MERC S-CRFT JUNC BOX 4-WAY  
1610500 ACC PART, MERC S-CRFT WTHR CAP 3POS CAP  
(HULL#501->537)  
1610518 ACC PART, MERC S-CRFT WTHR CAP 3POS PLUG  
(HULL#501->537)  
1689718 HARNESS, MERC S-CRFT STEER EXT  
1610427 HARNESS, MERC S-CRFT STEERING SNSR ASSY  
1690382 NUT, LOCK 110MM SPIN LOCK VDO  
1507268 HARNESS, MERC DATA S-CRFT 1000-1RSL-20'  
(TVD-CUMMINS (480CE T-446 PHP) &  
(6CTA (T-417 PHP) V-DR I/B)  
1689740 MODULE, DSL ENG TO S-CRFT CUMMINS 480CE  
(TVD-CUMMINS (480CE T-446 PHP) &  
(6CTA (T-417 PHP) V-DR I/B)

- 1734071 SENDING UNIT, OIL PRESSURE 1/8"-27DEG IPS 12V  
(TVD-CUMMINS (480CE T-446 PHP) &  
(6CTA (T-417 PHP) V-DR I/B)  
1734069 SENDING UNIT, WATER TEMP 3/8"MPT 240DEG  
(TVD-CUMMINS (480CE T-446 PHP) &  
(6CTA (T-417 PHP) V-DR I/B)  
1753564 HARNESS, MERC CAN LINK

DSS SATELLITE TELEVISION SYSTEM



**DSS SATELLITE TELEVISION SYSTEM**

- 1 969261 MODULAR JACK, BASE BOARD MOUNT
- 2 1783890 STEREO, RECEIVER RCA DSS RF
- 3 1450147 ANTENNA, DSS TRAC VISION 4
- 1457183 SATELLITE, PANEL TRACVISION SW/CNTRL W/DATAPRT
- 1762655 ANTENNA, RADOME DSS TRAC VISION 4
- 1762656 ANTENNA, DSS TRAC VISION 4 CPU
- 1762657 ANTENNA, DSS TRAC VISION 4 RF DETECTOR PCB
- 1762658 ANTENNA, DSS TRAC VISION 4 GYRO SENSOR
- 1762659 ANTENNA, DSS TRAC VISION 4 NORTH AMER SYS LNB
- 1762660 ANTENNA, DSS TRAC VISION 4 DATA CBL
- 1762661 ANTENNA, DSS TRAC VISION 4 POWER CBL
- 1762662 ANTENNA, DSS TRAC VISION 4 RF CBL
- 1762663 ANTENNA, DSS TRAC VISION 4 CPU FUSE
- 4 694307 SPLITTER, TV/FM 4-WAY

**LABELS**

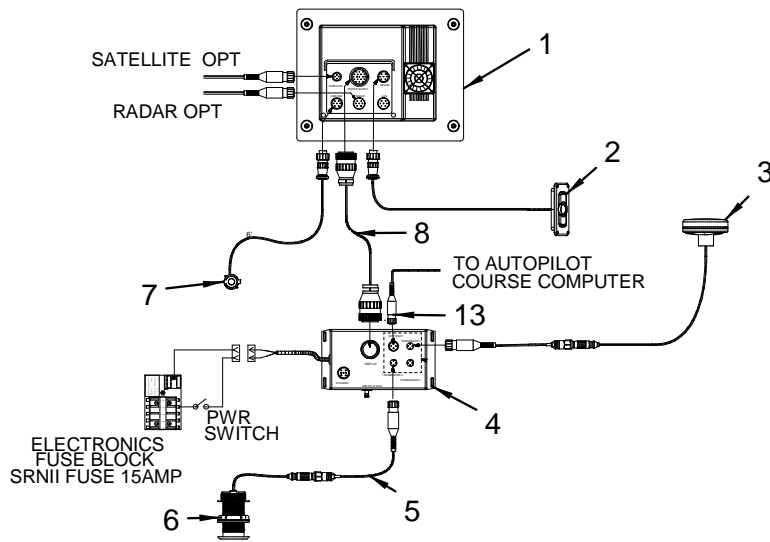
- 1688700 LABEL, RCA DSS UNIT

**NOT SHOWN**

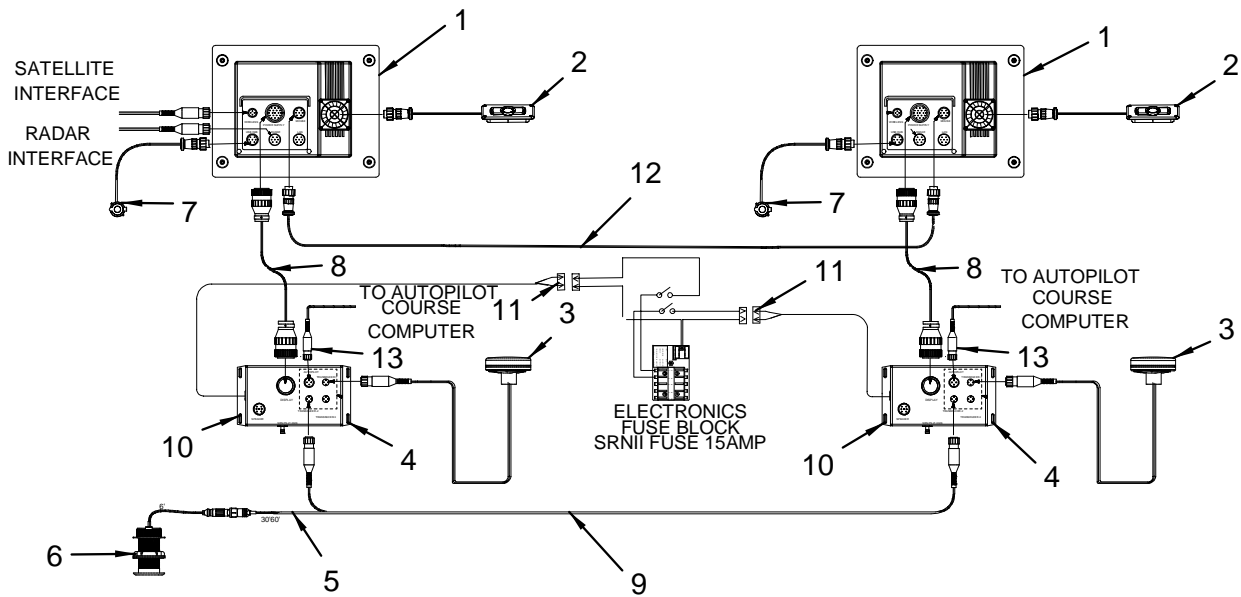
- 1779735 CABLE, COAXIAL RG6 1000' WHT
- 1539204 BRACKET, 1/8" X 3.5" X 5" ANTENNA MOUNT
- 1429265 HEAT SHRINK, TUBING BLK 1/4" X 4'
- 969279 CORD, 25'PHONE
- 1643097 BRACKET, ALUM DSS DOME MOUNT 550DA-02

SEA RAY NAVIGATOR INTERCONNECT DIAGRAM

SEA RAY NAVIGATOR II 12.1



ADDITIONAL SEA RAY NAVIGATOR II - ONLY W/ SR NAV II



## SEA RAY NAVIGATOR INTERCONNECT DIAGRAM

- 1 1757377 NAVIGATOR, SRNII MODEL 12.1 COMPUTER
- 2 1783896 NAVIGATOR, SRNII MOUSE REMOTE CNTRL REV II  
(HULL#615->UP)
- 1763058 NAVIGATOR, SRNII MOUSE REMOTE CNTRL  
(HULL#506->606)
- 1596360 CONN, "BNC" TYPE BNC MALE FOR RG8X
- 3 1757383 NAVIGATOR, SRNII GPS ANTENNA NMEA
- 4 1758689 NAVIGATOR, SRNII PWR SUPPLY
- 5 1757379 HARNESS, TRANSDUCER DEPTH/TEMP 30' SRN2
- 6 1757382 NAVIGATOR, SRNII TRANSDUCR DEPTH/TEMP W/PT NY
- 7 1776486 RECEPTACLE, SRN II USB SOCKET W/CONN
- 8 1757385 NAVIGATOR, SRNII CBL DISPLAY PWR/DATA
- 9 1772621 HARNESS, SRNII TRANSDUCER Y CABLE  
(ADDITIONAL SEA RAY NAV II W/ RADAR OVERLAY)
- 10 1767034 BOOT, DEUTSCH DTP 2-POS MALE  
(HULL#578->637)(ADDITIONAL SEA RAY NAV II W/ RADAR OVERLAY)
- 11 1408376 PLUG KIT, DEUTSCH DTP06-2S PLUG W/SOCKET  
(ADDITIONAL SEA RAY NAV II W/ RADAR OVERLAY)
- 1408400 PLUG KIT, DEUTSCH SEC LOCK SCKT 2-POS  
(ADDITIONAL SEA RAY NAV II W/ RADAR OVERLAY)
- 1717517 PLUG KIT, DEUTSCH F/C 10-12AWG SCKT  
(ADDITIONAL SEA RAY NAV II W/ RADAR OVERLAY)
- 12 1772696 HARNESS, SRNII LAN CABLE  
(ADDITIONAL SEA RAY NAV II W/ RADAR OVERLAY)
- 13 1766896 NAVIGATOR, SRNII CBL AUTOPILOT

## LABELS

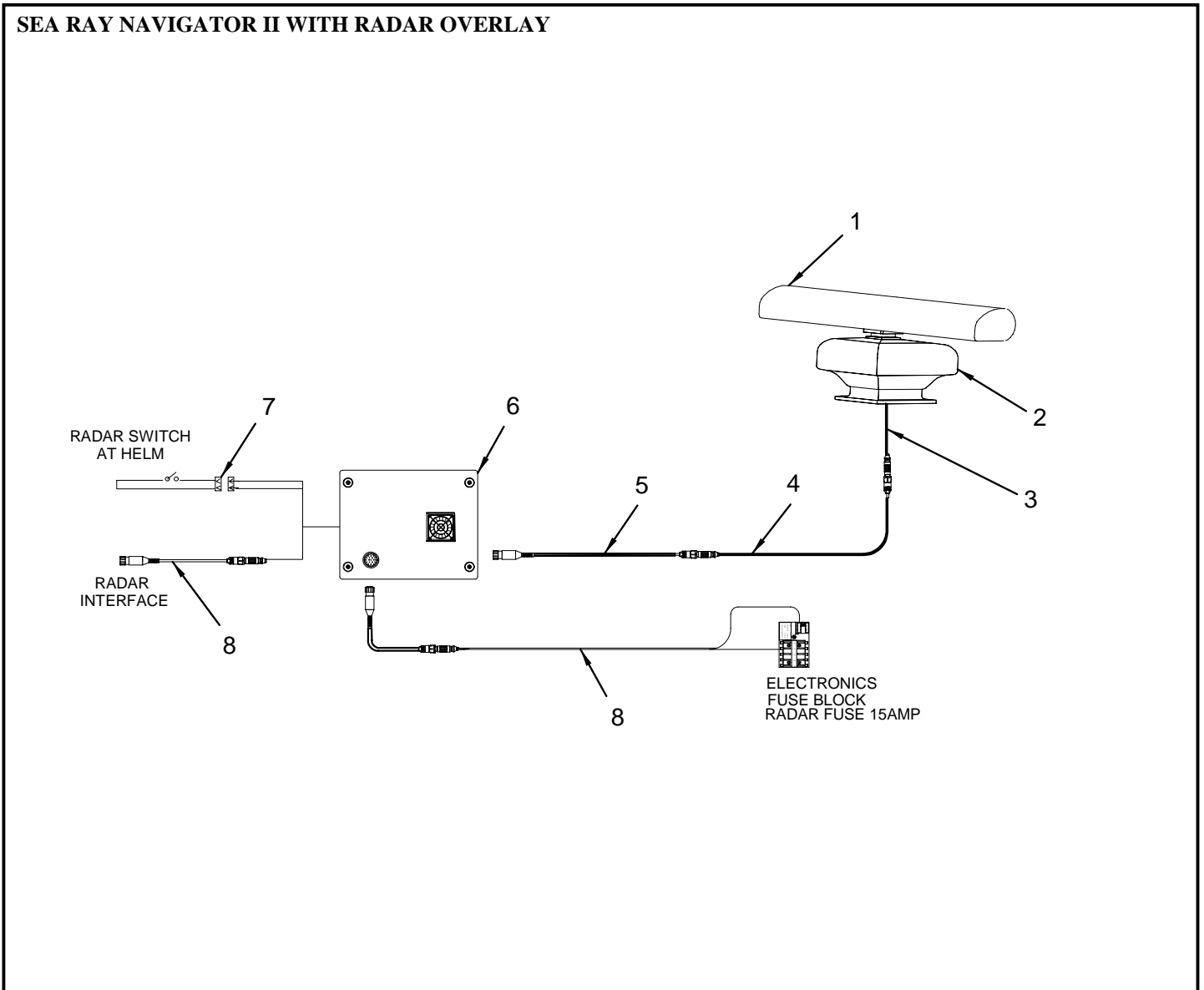
- 1764499 LABEL, SEA RAY NAV USB PORT

## NOT SHOWN

- 1762413 HARNESS, ENG MERC S-CRFT SC100 LINK EXT 12"  
(HULL#506->517)
- 1778925 COVER, INST SRNII 12.2 390DA/420DA
- 1783312 MANUAL, OWNERS SRNII SECOND STATION
- 1783313 NAVIGATOR, SRNII RADAR SOFTWARE
- 179242 BUSS BAR, 6-GANG TERMINAL STRIP  
(HULL#501->549)
- 1757378 MANUAL, OWNERS SRN2 SOFTWARE-DATA-NOTEBOOK KB  
(LOCATED IN OWNER'S PACKET)
- 731018 FUSE, BLADE TYPE CLOSED 15A



**SEA RAY NAVIGATOR II WITH RADAR OVERLAY**

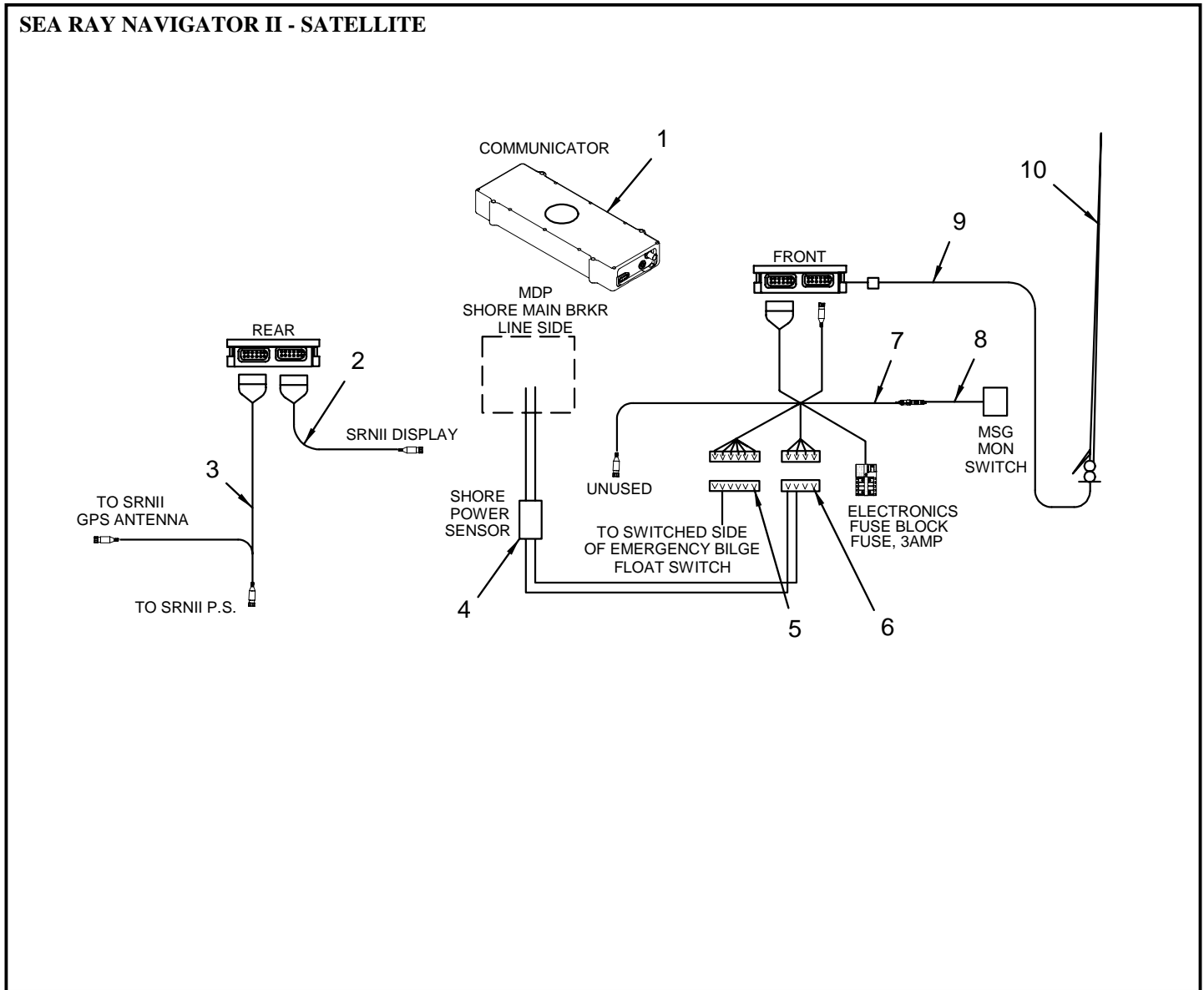


**SEA RAY NAVIGATOR II WITH RADAR OVERLAY**

- 1 1772611 NAVIGATOR, SRNII RADAR 4KW 3.5FT ARRAY
- 2 1772610 NAVIGATOR, SRNII RADAR PEDSTAL
- 3 1772612 HARNESS, RADAR PIGTAIL 1' NRTHSTR
- 4 1770985 HARNESS, RADAR CBL EXT 15' NRTHSTR 6000I
- 5 1770981 HARNESS, RADAR CBL 20' NRTHSTR 6000I
- 6 1772609 NAVIGATOR, SRNII RADAR PWR CABLE
- 7 1741427 PLUG KIT, DEUTSCH S/F 20AWG SCKT  
1773030 PLUG KIT, DEUTSCH DTM06-2S PLUG W/SCKT  
1773043 PLUG KIT, DEUTSCH SEC LOCK DTM06-2S
- 8 1760323 RADAR, CABLE CONNECTOR KIT MAPTECH OPEN ARRAY

**NOT SHOWN**

- 1772608 NAVIGATOR, SRNII RADAR JUNCTION BOX
- 1774827 PANEL, BLANK:390DA/420DA-05 SRN DUAL (SRN II & DUAL SRN II)



**SEA RAY NAVIGATOR II - SATELLITE**

**NOT SHOWN (continued)**

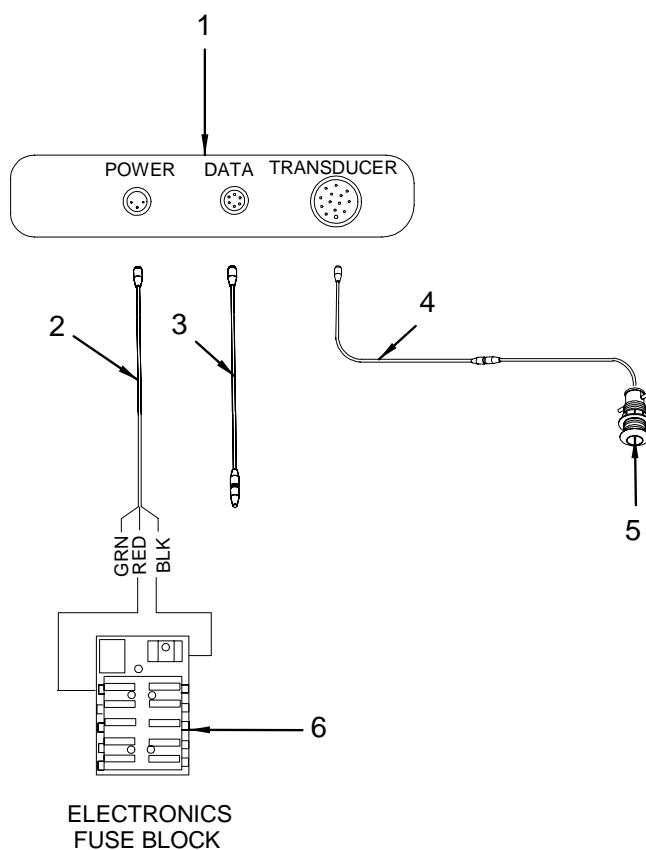
- 1 1760316 NAVIGATOR, SR MDL SRNII SATELLITE COMMUNICATOR
- 2 1767400 NAVIGATOR, SRNII SATELLITE PWR DATA CABLE
- 3 1767402 NAVIGATOR, SRNII SATELLITE GPS INTRFACE CABLE
- 4 1767399 NAVIGATOR, SRNII SATELLITE SHORE PWR SENSOR
- 5 1741427 PLUG KIT, DEUTSCH S/F 20AWG SCKT
- 1773033 PLUG KIT, DEUTSCH DTM06-6S PLUG W/SCKT
- 1773049 PLUG KIT, DEUTSCH SEC LOCK DTM06-6S
- 6 1741427 PLUG KIT, DEUTSCH S/F 20AWG SCKT
- 1773032 PLUG KIT, DEUTSCH DTM06-4S PLUG W/SCKT
- 1773047 PLUG KIT, DEUTSCH SEC LOCK DTM06-4S
- 7 1774890 NAVIGATOR, SRNII SATELLITE WIRING HARNESS
- 8 1767401 NAVIGATOR, SRNII SATELLITE MODE SW W/CABLE
- 9 1688702 CONN, COUPLER TYPE-914 FEMALE TO FEMALE(GOLD)
- 791459 CABLE, COAXIAL RG6 1000' BLK
- 10 1777084 ANTENNA, 8' PREMIUM VHF ANTENNA W/CONN
- 1274570 ANTENNA, 8' SHAKESPEARE 5225 GLXY W/CP CONN (SATELLITE INTERFACE FOR SEA RAY NAV II)

- 1274588 CONN, SOLDERLESS W/CTR PIN
- 1716627 CONNECTOR, PL258 BARRELL FOR COAX

**NOT SHOWN**

- 140533 FUSE, FERRULE TYPE AGC 1A
- 1757453 PLUG KIT, DEUTSCH SEAL PLUG
- 1760319 NAVIGATOR, SRNII SATELLITE SOFTWARE
- 1767398 NAVIGATOR, SRNII WIRELESS BATT PACK
- 630822 FUSE HOLDER, 6-FUSE BREAK-AWAY STRIP
- 649293 CABLE, COAXIAL RG8X WHT (500' ROLL)

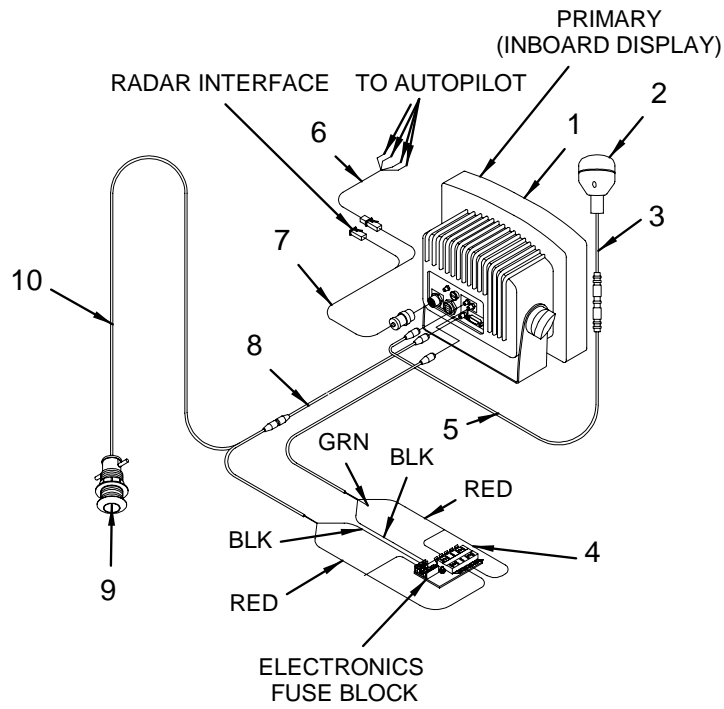
**NORTHSTAR 6000I 491 FISHFINDER**



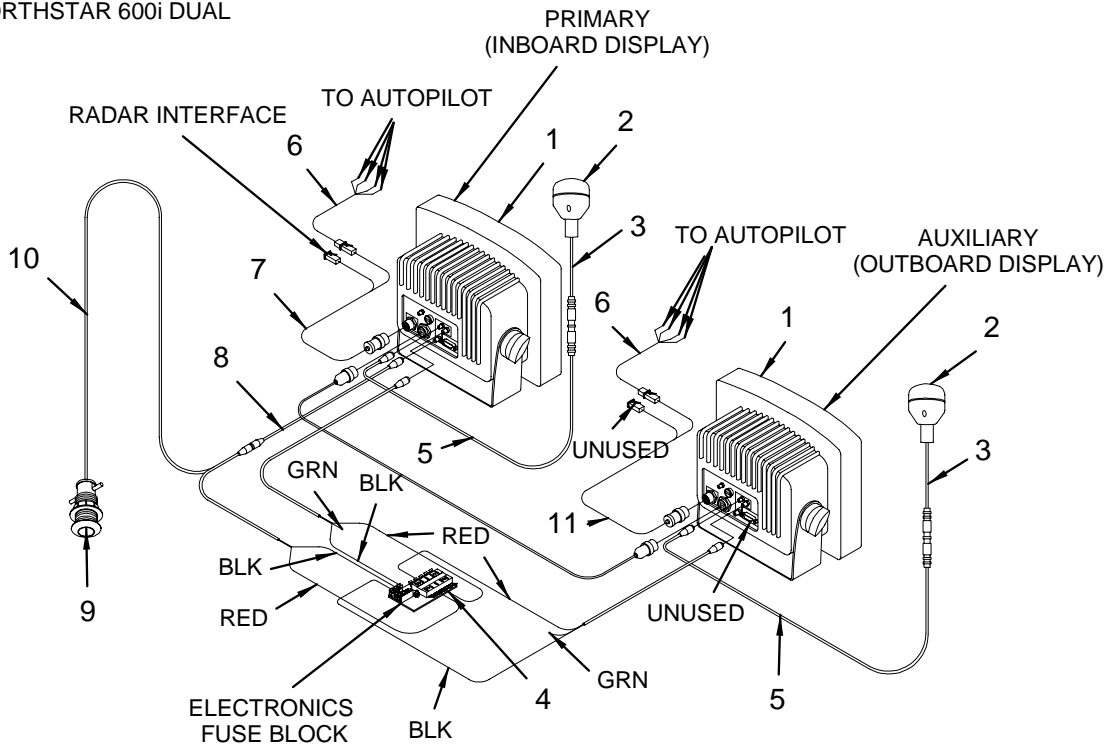
**NORTHSTAR 6000I 491 FISHFINDER**

- 1 1795128 DEPTH FINDER, NRTHSTR 491FF MODULE
- 2 1795144 HARNESS, NRTHSTR 491FF PWR CBL 6FT0I
- 3 1795145 HARNESS, NRTHSTR 491FF TO 6000I CBL 10FT
- 4 1795136 HARNESS, NRTHSTR 491FF TRANS DEP/TEMP 30'
- 5 1795135 TRANSDUCER, NRTHSTR 491FF DEP/TEMP W/6'PGTAIL
- 6 265983 FUSE, BLADE TYPE ATO 10A

**NORTHSTAR 6000I NAVIGATION**



**NORTHSTAR 600i DUAL**



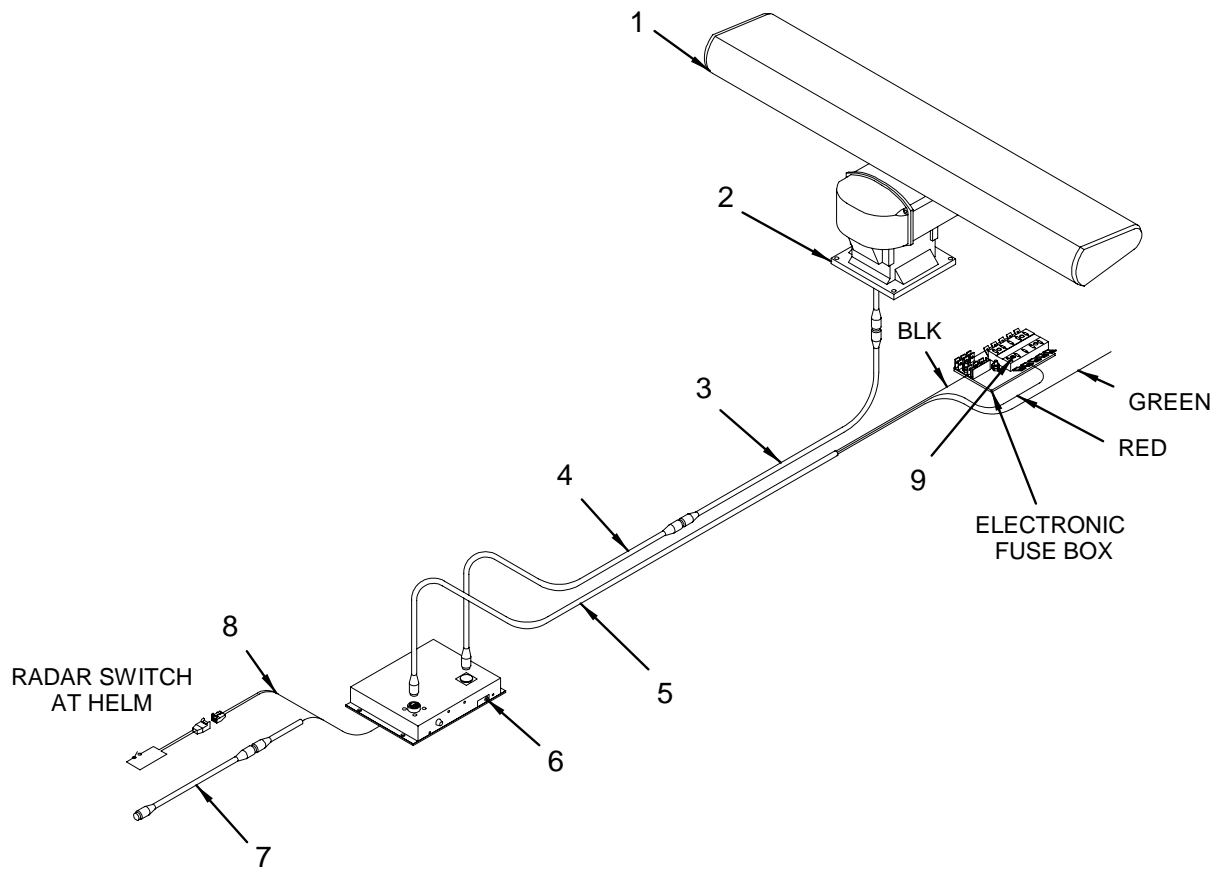
**NORTHSTAR 6000I NAVIGATION**

- 1 1770322 NAVIGATION DISPLAY, NRTHSTR 6000I 10.4"
- 2 1770976 NAVIGATOR, NRTHSTR 6000I GPS ANTENNA
- 3 1770975 HARNESS, GPS CBL EXT 15' NRTHSTR 6000I
- 4 265983 FUSE, BLADE TYPE ATO 10A
- 706721 FUSE, BLADE TYPE ATC 1A
- 5 1770974 HARNESS, GPS CBL 20' NRTHSTR 6000I
- 6 1795140 HARNESS, NRTHSTR 6000I NMEA I/O CBL
- 7 1770972 HARNESS, NRTHSTR 6000I RADAR INTERFACE CBL
- 8 1795162 HARNESS, PIGTAIL 5'SRN II XDUCR TO 6000I
- 9 1757382 NAVIGATOR, SRNII TRANSDUCR DEPTH/TEMP W/PT NY
- 10 1757379 HARNESS, TRANSDUCER DEPTH/TEMP 30' SRN2
- 11 1770992 HARNESS, ETHERNET CBL KIT 6' NRTHSTR 6000I

**NOT SHOWN**

- 1770969 NAVIGATOR, NRTHSTR 6000I 10.4" CMPLT PKG
- 1770970 NAVIGATOR, NRTHSTR 6000I INSTALL KIT 10.4"
- 1770973 HARNESS, POWER CBL KIT NRTHSTR 6000I
- 1770977 NAVIGATOR, NRTHSTR FLUSH MNT KNOB

**NORTHSTAR 6000I 4KW OPEN ARRAY RADAR**



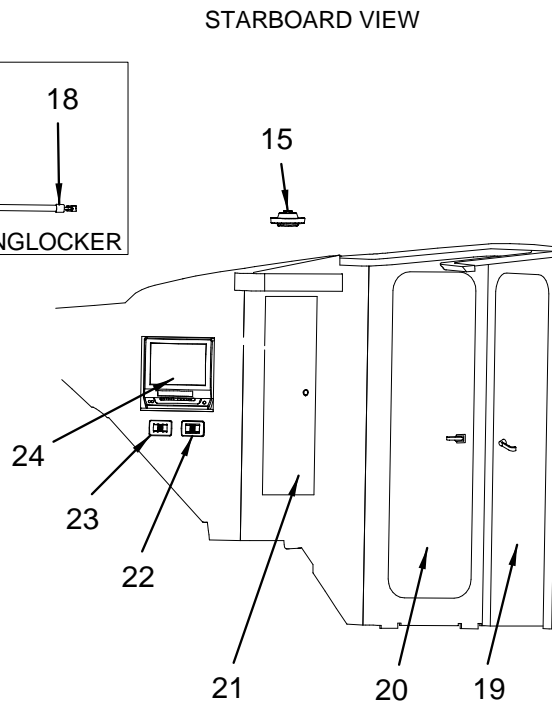
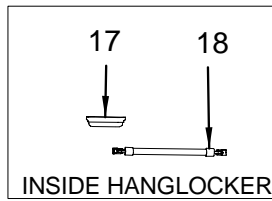
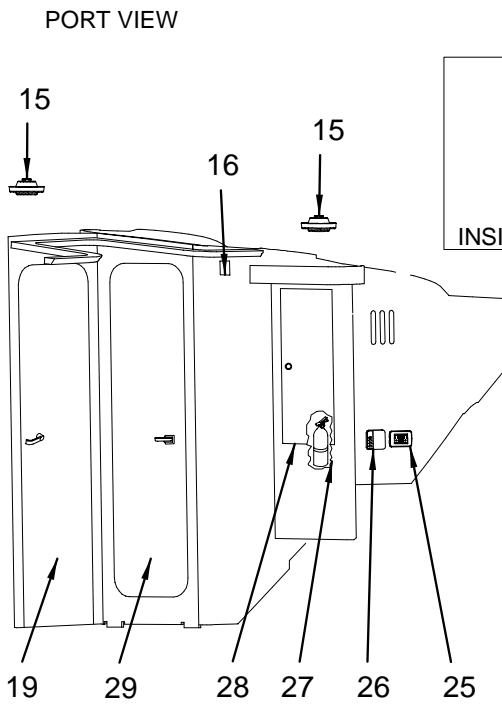
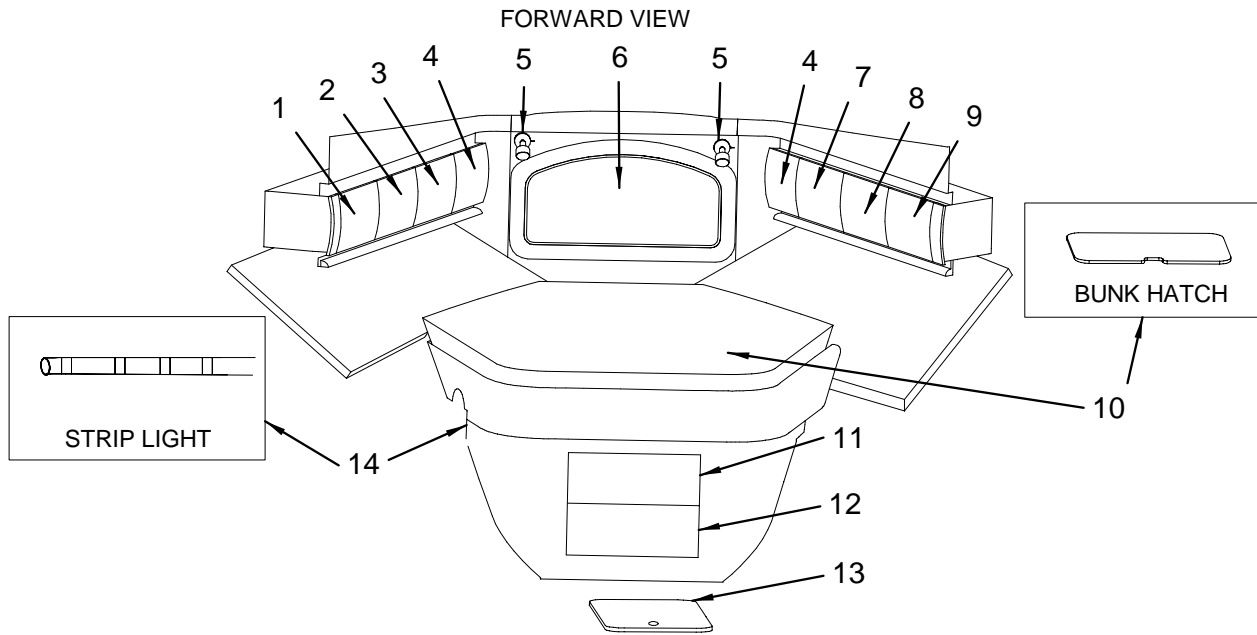
**NORTHSTAR 6000I 4KW OPEN ARRAY RADAR**

- 1 1770988 RADAR, NRTHSTR 6000I 3.5' ARRAY
- 2 1770987 RADAR, NRTHSTR 6000I PEDESTAL W/1' PIGTAIL
- 3 1770985 HARNESS, RADAR CBL EXT 15' NRTHSTR 6000I
- 4 1770981 HARNESS, RADAR CBL 20' NRTHSTR 6000I
- 5 1770979 HARNESS, RADAR PWR CBL 6' NRTHSTR 6000I
- 6 1770986 BOX, JUNCTION NRTHSTR 6000I RADAR
- 7 1795142 HARNESS, RADAR/NRTHSTR 6000I INTFACE CBL
- 8 1773030 PLUG KIT, DEUTSCH DTM06-2S PLUG W/SCKT
- 1773043 PLUG KIT, DEUTSCH SEC LOCK DTM06-2S
- 1741427 PLUG KIT, DEUTSCH S/F 20AWG SCKT
- 9 265983 FUSE, BLADE TYPE ATO 10A

**NOT SHOWN**

- 1770978 RADAR, NRTHSTR 6000I 4KW CMLPT PKG

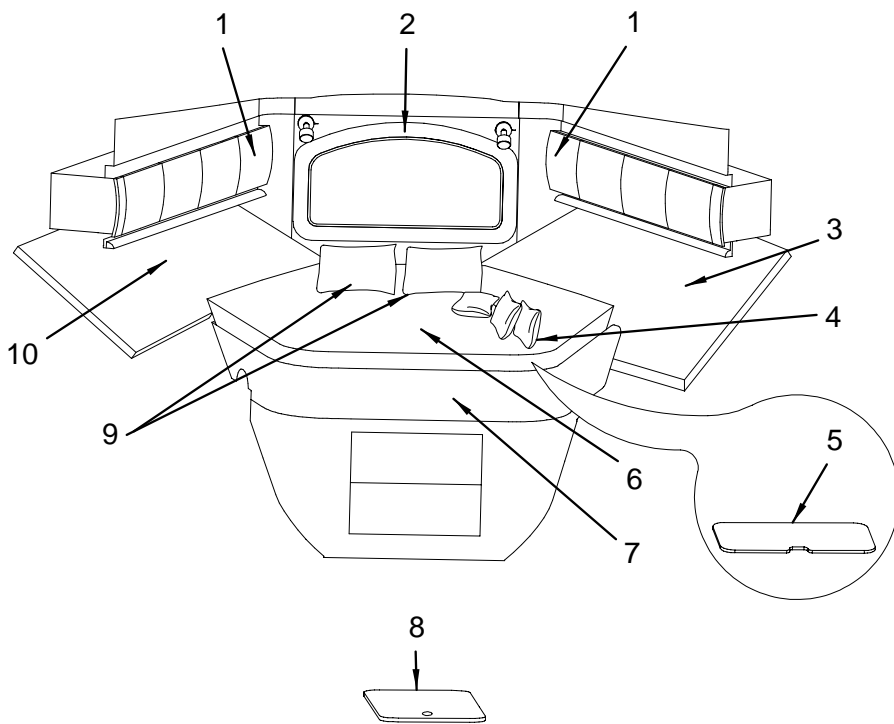
**FORWARD STATEROOM**



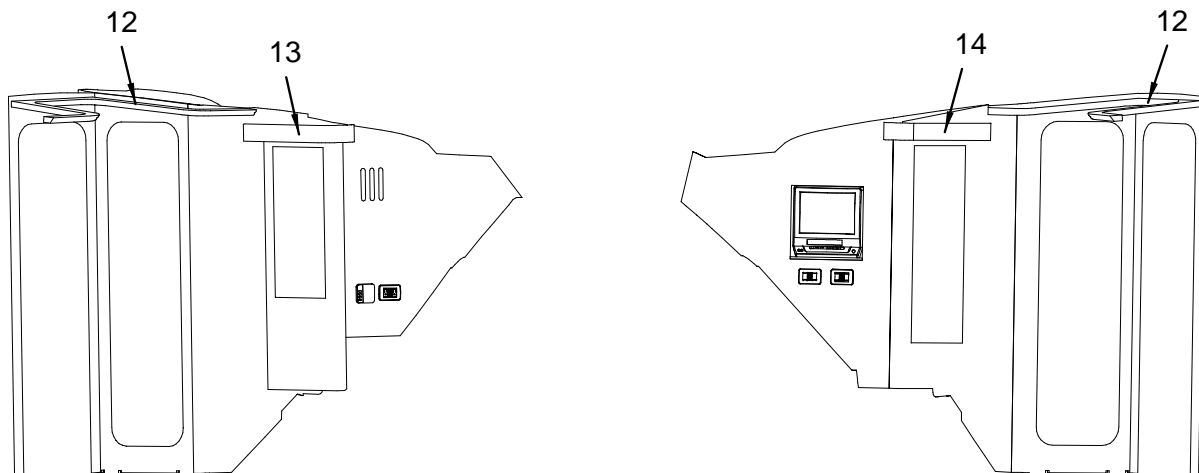




FORWARD STATEROOM (UPHOLSTERY)



11 →



**FORWARD STATEROOM (UPHOLSTERY)**

- 1 1090430 FABRIC, SPKR CLOTH CREPE BUFF #18994 1/8"FB  
(INTERIOR A, B, D)
- 931501 FABRIC, SPKR CLOTH CREPE SAND #17027 1/8"FB  
(INTERIOR C)
- 2 1784747 420DA 05,MUFF,VAL R/L FWDSTRM
- 3 1784748 420DA 05,BLSTR,STB HULL FWDSTRM
- 1736979 FOAM, P/C 420DA-03 FWDSTRM STB HULL BLSTR
- 4 1774223 PILLOW PKG, 2005 SPYACHT PKGA MSTRM (2)
- 1774230 PILLOW PKG, 2005 SPYACHT PKGB MSTRM (2)
- 1774239 PILLOW PKG, 2005 SPYACHT PKGC MSTRM (2)
- 1774261 PILLOW PKG, 2005 SPYACHT PKGD MSTRM (2)
- 5 1784729 420DA 05,HATCH,BUNK BASE FWDSTRM
- 6 1771905 QUILT SET, 420DA-05 PKGA-VERSAILLE GOLD
- 1771908 QUILT SET, 420DA-05 PKGB-WESTBAY ORNGLW
- 1771911 QUILT SET, 420DA-05 PKGC-MF-DS1-00-(053/865)
- 1771914 QUILT SET, 420DA-05 PKGD-LENO #3
- 1735769 SHEET, 420DA-03 FWDSTRM FITTED W/PCKT
- 1734816 MATTRESS, 420DA-03 INR-SPRNG FWDSTRM HNGD
- 7 1784749 420DA 05,BLSTR,LWR MATT FWDSTRM
- 1736980 FOAM, P/C 420DA-03 FWDSTRM BUNK BLSTR
- 8 1784734 420DA 05,HATCH,FLOOR FWDSTRM
- 174599 LIFT HANDLE, HATCH LIFT BOLT 1/4"X 4" SHANK
- 9 103721 PILLOW, BED 20"X 26" POLYFIBER
- 10 1784750 420DA 05,BLSTR,PRT HULL FWDSTRM
- 1736978 FOAM, P/C 420DA-03 FWDSTRM PRT HULL BLSTR
- 11 1467182 CARPET, INT 44 OZ WHEATON 6'W 100% BCF NYLON  
(INTERIOR A, B, D)
- 1467166 CARPET, INT 44 OZ SNOW 6'W 100% BCF NYLON  
(INTERIOR C)
- 12 1784735 420DA 05,MUFF,VAL ENTRY DOOR FWDSTRM
- 13 1784751 420DA 05,MUFF,VAL PRT H/L FWDSTRM
- 14 1784744 420DA 05,MUFF,VAL STB H/L FWDSTRM

**FABRICS**

- 1772491 FABRIC, RAFFIA SMALL WEAVE BLOND FLAT  
(INTERIOR A)
- 1180744 VINYL, ULTRALTHR PECAN 3778  
(INTERIOR B)
- 1228352 FABRIC, ULTRALEATHER MILKWEED #3455  
(INTERIOR C)
- 1180744 VINYL, ULTRALTHR PECAN 3778  
(INTERIOR D)
- 1770182 FABRIC, NYSE 5138-4472-900 FLAT  
(INTERIOR A)
- 1778527 FABRIC, MARVELOUS SAFFRON FLAT  
(INTERIOR B)
- 1773900 FABRIC, RHYTHM 8028-9746-902 TAN FLAT  
(INTERIOR C)
- 1771784 FABRIC, KEITH 134 DESERT FLAT  
(INTERIOR D)

**HEADLINER/HULL LINER/WASHABLE SURFACE**

- 1079797 VINYL, ALLANTE II CHAMPAGNE EXP FLAT  
(INTERIOR A, B, D)
- 892075 VINYL, ALLANTE II SEA OYSTER EXP FLAT  
(INTERIOR C)
- 1091743 VINYL, ALLANTE II CHAMPAGNE EXP 1/4"F/B DOW  
(INTERIOR A, B, D)
- 986810 VINYL, ALLANTE II SEA OYSTER EXP 1/4"F/B DOW  
(INTERIOR C)

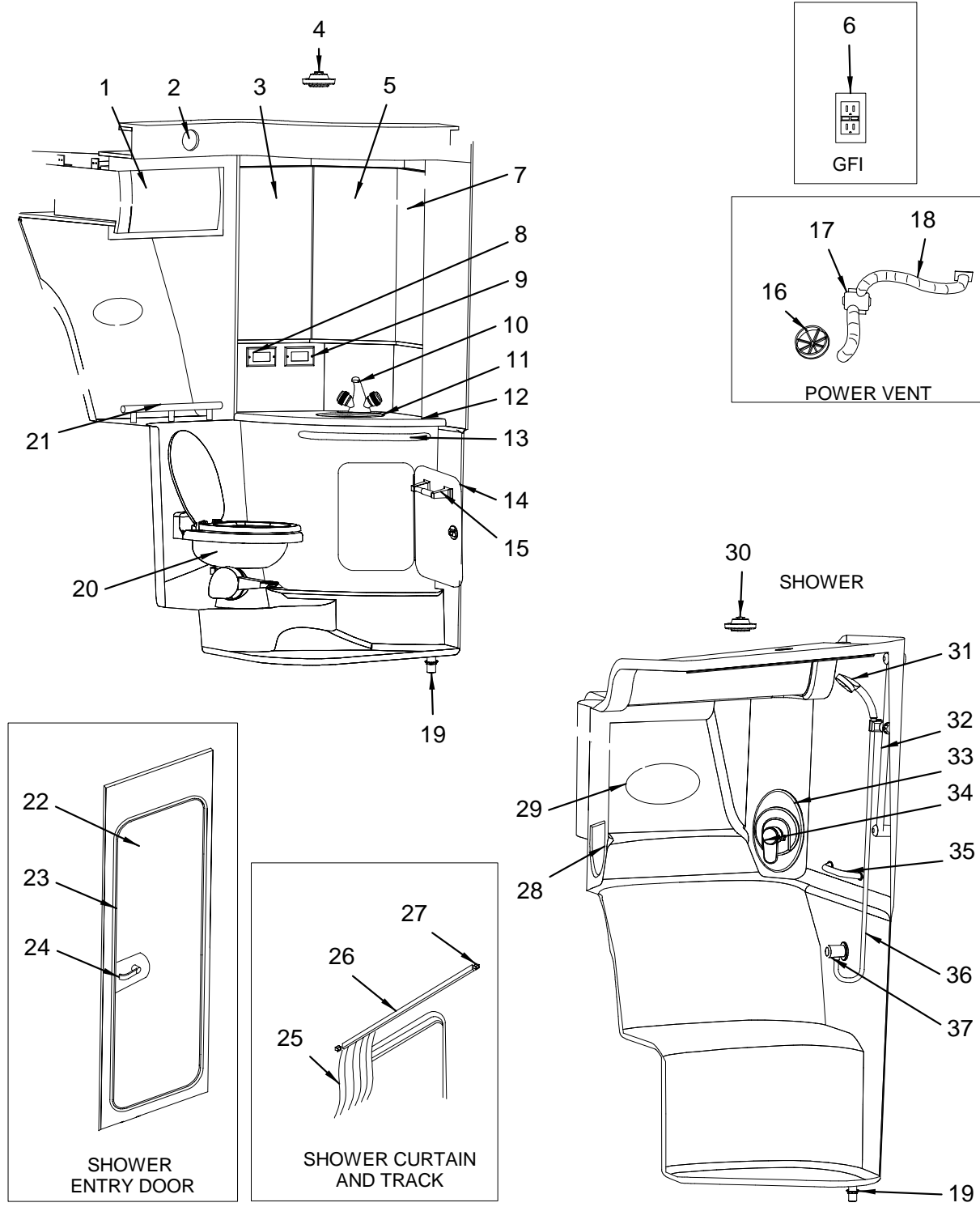
**SNAP CAPS**

- 1073345 SNAP CAP, PLAS BROWN  
(INTERIOR A, B, D)
- 472514 SNAP CAP, PLAS WHT WALNUT  
(INTERIOR C)
- 189571 SNAP CAP, PLAS CLEAR WASHER

**STORAGE & BUNK TOPS**

- 1128487 FABRIC, GEOMETRIC STRAW (NDLPNCH) W/BACK

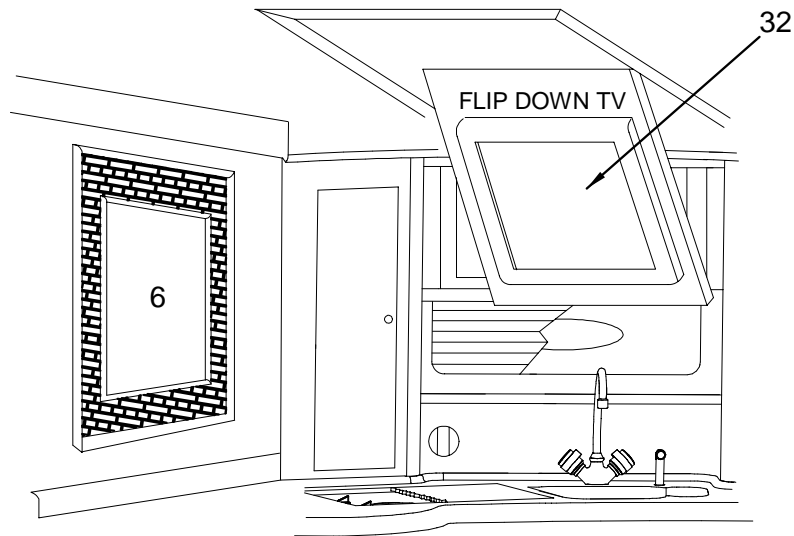
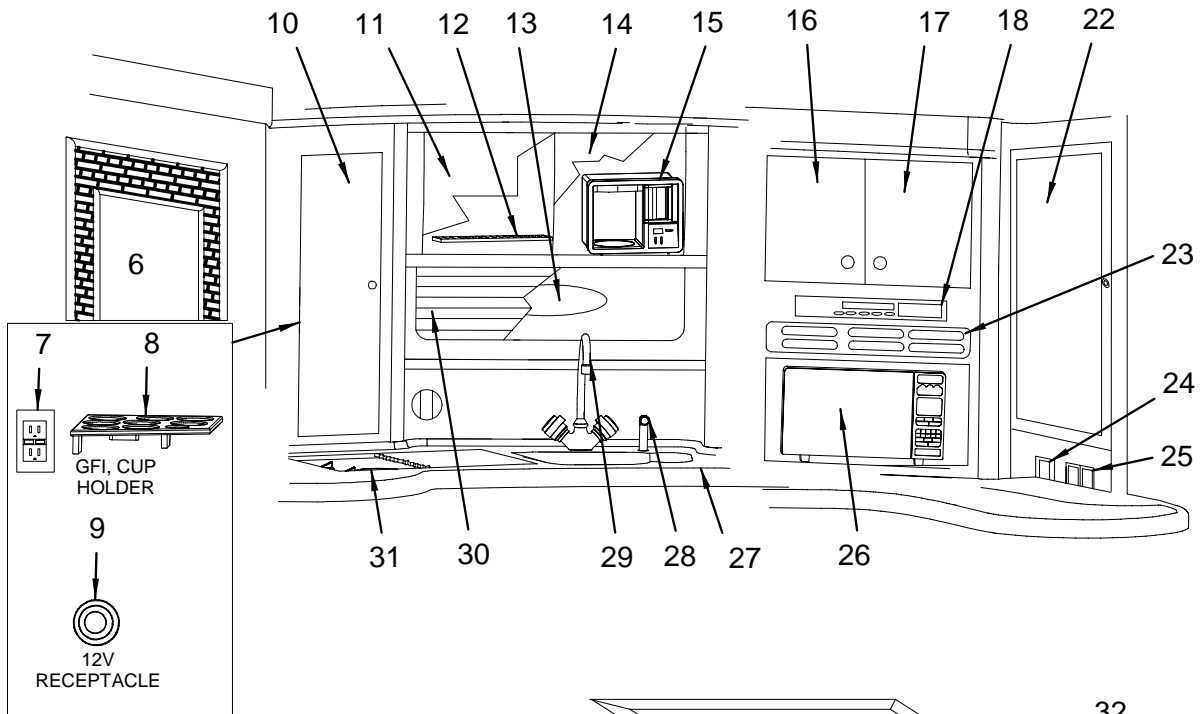
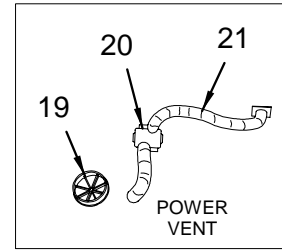
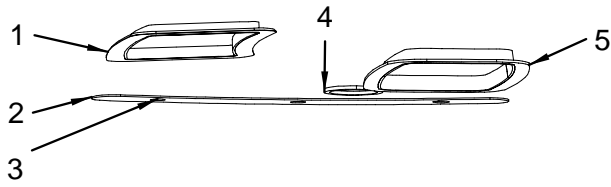
FORWARD HEAD



## FORWARD HEAD

1	1784752	420DA 05,DOOR,UPR STRG FWDHD	28	1779824	SHELF, KARADON 420DA-05 FWD SHWR LUM GLD
2	1322940	A/C COMP, GRILL 3" BLK W/DBL LVR		1779823	SHELF, KARADON 420DA-05 FWD SHWR CNDL GLW
3	1784842	420DA 05,DOOR,PRT VAN FWDHD	29	1057991	(CANDLE GLOW - GALLEY / HEAD COUNTER TOPS)
	521526	HINGE, CONCEALED FULL OVERLAY W/100 DEG ANGLE	30	1742138	TRIM RING, V/F PORTLIGHT INNER CUSTOM 98
	1752332	MIRROR, 1/8"X 10.75"X 24 5/8" CLR P/E I/B		1448463	LIGHT, DAVID-EYEBALL SAT/NCKL RING/FRST LENS
	1437219	PULL, DOOR FLUSH MIRROR CHR			BULB, XENON 12V/10W
4	1449073	LIGHT, TWIST-OFF BEZEL GLASS 10W	31	916205	SHOWER, HAND HELD ANGLED RELEXA PLUS
	1426774	BULB, XENON 24V/10W		1740886	MOUNT, HDPE SHOWER WALL (MNT ONLY)
5	1784753	420DA 05,DOOR,STBD VAN FWDHD	32	916213	SHOWER BAR, SLIDE BAR 24" CHR (GROHE)
	521526	HINGE, CONCEALED FULL OVERLAY W/100 DEG ANGLE	33	1779828	COVER, KARADON 390DA-05 SHWR MIXER LUM GLD
	1752331	MIRROR, 1/8"X 12 3/8"X 24 5/8" CLR P/E CTR		1779827	COVER, KARADON 390DA-04 SHWR MIXER CNDL GLW
	1437219	PULL, DOOR FLUSH MIRROR CHR			(CANDLE GLOW - GALLEY / HEAD COUNTER TOPS)
6	1787502	RECEPTACLE, GFCI DPLX WHT W/IND LIGHT 15A LVT	34	1429588	FAUCET, PRESS BAL VALVE TRIM EUROPLUS II
	1757692	RECEPTACLE, GFCI DUPLEX WHT W/INDCT LIGHT 15A		1523349	FAUCET, BATH MIXER BRASS 3-WAY
		(HULL#546->UP)		1275890	BRACKET, ALUM GROHE SHOWER MIXER MNT
	180463	BOX, RECEPTACLE HANDY DUPLEX METAL	35	1747819	RAIL, GRAB 18" OVAL W/STUD 316L
7	1752333	MIRROR, 1/8"X 10 15/16"X 24 5/8" CLR P/E O/B	36	916221	SHOWER, HOSE ASSY ONLY RELEXAFLEX CHR
8	1741010	COVER PLATE, IDEA-SERIES 4-GANG NKL RONDO	37	900373	SHOWER, UNION FIXTURE CHR
	914705	FRAME, IDEA-SERIES 4-GANG SUPPORT	<b>DOOR/DRAWER HARDWARE</b>		
	813915	FUSE, FERRULE TYPE AGC 7.5A	1687313	STAY, ROD LCKR DOOR SUPPORT RH	
	948208	FUSE HOLDER, FERRULE TYPE VIMAR		(UPPER DOOR)	
	893230	SWITCH, IDEA-SERIES SPST GREY	1450188	CATCH, GRABBER LATCH W/10LB HOLD WHT	
		<b>LIGHTS, POWER VENT</b>		(UPPER DOOR)	
	1590884	SWITCH, IDEA-SERIES 12VDC HEAD STAT PNL	1612464	HINGE, CONCEALED INT OVERLAY S/C 170DEG	
9	1741009	COVER PLATE, IDEA-SERIES 2OR3-GANG NKL RONDO		(UPPER DOOR)	
	893289	FRAME, IDEA-SERIES 3-GANG SUPPORT FRAME GREY	1687312	STAY, ROD LCKR DOOR SUPPORT LH	
	893222	RECEPTACLE, IDEA-SERIES SGL GRY		(UPPER DOOR)	
	1057991	TRIM RING, V/F PORTLIGHT INNER CUSTOM 98	1742136	PULL, PUSH-BUTTON KNOB SAT/NCKL	
	893263	SWITCH, BLANK IDEA-SERIES GREY	1742137	PULL, ROSETTE SAT/NCKL OVAL 19MM	
10	1740969	FAUCET, LAV TALIA CTRSET SAT/NKL W/DRAIN	175372	BUMPER, CLEAR SMALL 0.312"ROUND X 0.085"HIGH	
	1302504	FAUCET, CARTRIDGE CERAMIC 90DEG RH	525667	HINGE, CONCEALED FULL OVERLAY MT PLATE ONLY	
	1298710	FAUCET, CARTRIDGE CERAMIC 90DEG LH	761445	CATCH, RIM-LOCK STRIKE PLATE	
	1227032	ADAPTER, SEATECH BRS 1/2"NPT X 3/8"COMP FAUCT	772418	CATCH, RIM-LOCK WHT	
11	1739814	SINK, SS OVAL SR 11.75"X 16.75"	839399	HINGE, SELF CLOSING BLUM SCREW-ON	
	146175	DRAIN ASSY, 1.25" DRAIN W/PLUG PLASTIC	1132380	CATCH, RIM-LOCK WHT (SHIM ONLY)	
	1256593	DRAIN ASSY, STOPPER 1.25" CHR/PLT	<b>LABELS</b>		
12	1779820	TOP, KARADON 420DA-05 FWD HEAD VAN LUM GLD	1743510	LABEL, 7/16"X 7/8" HEAD	
	1779822	TOP, KARADON 420DA-05 FWD HD BCKSPL LUM GLD	1751429	LABEL, 7/16"X 7/8" VENT	
	1779819	TOP, KARADON 420DA-05 FWD HEAD VAN CNDL GLW	271643	LABEL, HEAD INSTRUCTIONS	
		(CANDLE GLOW - GALLEY / HEAD COUNTER TOPS)	1747493	LABEL, LEAVING WINDOW OPEN EXHAUST FUMES	
	1779821	TOP, KARADON 420DA-05 FWD HD BCKSPL CNDL GLW	<b>NOT SHOWN</b>		
		(CANDLE GLOW - GALLEY / HEAD COUNTER TOPS)	1227032	ADAPTER, SEATECH BRS 1/2"NPT X 3/8"COMP FAUCT	
13	1734629	RAIL, GRAB 420DA-03 FWD HEAD LWR VANITY	512244	BRACKET, ALUM 1/8"X 2"X 6" FLAT	
14	1784754	420DA 05,DOOR,LWR STRG FWDHD	512426	BRACKET, ALUM 1"X 1"X 3"	
15	146399	HOLDER, TOILET PAPER WALL MNT CHR ROLLER	186221	BRACKET, ALUM 1.5"X 1.5"X 1.5" SUPPORT	
	1737724	SHIM, HDPE 420DA-03 FWDHD TOILT PAPER HLDR	186239	BRACKET, ALUM 1.5"X 1.5"X 3"	
16	137356	VENT, POWER VENT 3" BLK	256727	CLAMP, HOSE #48 1 5/8"-3.5" SS .505	
17	129676	BLOWER, BILGE 3" FACE MNT #5412	256735	CLAMP, HOSE #64 2 5/8"-4.5" SS .505	
	172783	ADAPTER, HOSE FLANGE 3"	256743	CLAMP, HOSE #72 3 1/8"-5" SS .505	
18	1734661	HOSE, P/C VENT/BLOWER 3"X 74"	188391	CLIP, XMAS TREE	
19	196782	DRAIN ASSY, SHOWER 1.5"	1756675	COVER, HDPE ACCESS 11"X 9"X 1/4" W/1/2"RD WHT	
	344762	DRAIN ASSY, SHOWER SLIP NUT 1.5"		(HULL#501->518)	
	892042	NUT, BRASS DRAIN SLIP 1.5"	1688368	HOSE, AC/DUCT INSULATED 4" X 12'	
20	1744868	HEAD, VACU-FLUSH BONE 1006 BTM DIS WOOD	888107	HOSE, AC/DUCT INSULATED 5" X 10'	
	1784547	SEAT ASSY, CVR/SEAT/HNG PIN BONE	1501824	HOSE, CONDUIT/SPLIT 3/4" FLAME RETARDANT	
21	1734628	RAIL, GRAB SS 420DA-03 FWD HEAD SHELF RETAINR	124412	HOSE, PVC CLEAR/WHT W/RED TRACER 5/8"	
22	1784745	420DA 05,DOOR, FWD SHWR CHERRY	1737721	PANEL, P/B 420DA-03 FWD HEAD VAN ACCESS	
		(FORWARD SHOWER ENTRY)			
	1784746	420DA 05,DOOR,FWD SHWR MAPLE			
		(FORWARD SHOWER ENTRY)			
	1784738	420DA 05,DOOR,FWD FWDHD CHERRY			
		(AFT SHOWER ENTRY)			
	1784739	420DA 05,DOOR,FWD FWDHD MAPLE			
		(AFT SHOWER ENTRY)			
	1452820	HOOK, CLOTHES HOOK SURFACE MT			
		(AFT SHOWER ENTRY)			
23	823070	OAK, DOOR FRAME PART-A RIGHT			
	823088	OAK, DOOR FRAME PART-A LEFT			
	823096	OAK, DOOR FRAME PART-B RIGHT			
	823104	OAK, DOOR FRAME PART-B LEFT			
	978056	OAK, DOOR FRAME PART-A RIGHT N/ NOTCH			
24	1751064	LATCH, NOVA RH-OUT PRVKNB SAT/CHR HIDSCR			
		(FORWARD SHOWER ENTRY)			
	1751065	LATCH, NOVA LH-OUT PRVKNB SAT/CHR HIDSCR			
		(AFT SHOWER ENTRY)			
	863225	PLATE, STRIKER MOBELLA (WIDE)			
25	1737692	CURTAIN, SHOWER BEIGE 420DA-03 FWDHD			
	1743962	PANEL, HDPE 420DA VALANCE SHWR CURT			
26	132183	TRACK, ALUM CURT TRK 0.275"X 0.688" TAB TYPE			
27	186692	UPH PARTS, DRAPE T-TAB CARRIER W/ELASTIC			
	221325	UPH PARTS, END STOP W/SCREW			

GALLEY (UPPER)





## DOOR/DRAWER HARDWARE (continued)

1612464	HINGE, CONCEALED INT OVERLAY S/C 170DEG
1687312	STAY, ROD LCKR DOOR SUPPORT LH (UPPER DOOR)
1687313	STAY, ROD LCKR DOOR SUPPORT RH (UPPER DOOR)
1742136	PULL, PUSH-BUTTON KNOB SAT/NCKL
1742137	PULL, ROSETTE SAT/NCKL OVAL 19MM
175372	BUMPER, CLEAR SMALL 0.312"ROUND X 0.085"HIGH
1755598	SLIDE ASSY, DRAWER SLIDE 16" HETTICH (HULL#501->514)
525667	HINGE, CONCEALED FULL OVERLAY MT PLATE ONLY
761445	CATCH, RIM-LOCK STRIKE PLATE
772418	CATCH, RIM-LOCK WHT
795773	LATCH, 1/2" SHAFT EXTENSION
839399	HINGE, SELF CLOSING BLUM SCREW-ON
898569	SLIDE ASSY, PIVOT DOOR 12" (KNAPP/VOGT)

## LABELS

1751486	LABEL, 7/16"X 7/8" GALLEY
1751429	LABEL, 7/16"X 7/8" VENT
1746899	LABEL, DANGER CARBON MONOXIDE (LEXAN)
1744738	LABEL, RECEPTACLE 12V-15A MAX (LEXAN)
1743616	LABEL, UNPLUG SHORE POWER WARNING
1751876	LABEL, WARNING TURN OFF COFFEE MAKER
1755871	LABEL, WARN KEEP DOORS OPEN APPLNCE IN USE (220 VOLT / 50 CYCLE ELECTRICAL SYSTEM)

## MICA

224204	MICA, 4'X 8'X.042"SAIL WHT MATTE GR12
898882	MICA, PVC EDGE BAND 7/8"X .017 BLK MATTE
586230	MICA, 4'X 8'X.042"BLK MATTE GR12
1727126	MICA, 4'X 10' MADERA/ORME (BURL) GLS
1733075	MICA, 4'X 8'X.038"BLOSSOM CHERRY GLOSS GR12
1733074	MICA, 4'X 8'X.030"BLOSSOM CHERRY GLOSS GR20
1690019	MICA, 4'X 8'X.038"NATURAL MAPLE GLOSS GR12
1690017	MICA, 4'X 8'X.030"NATURAL MAPLE GLOSS GR20

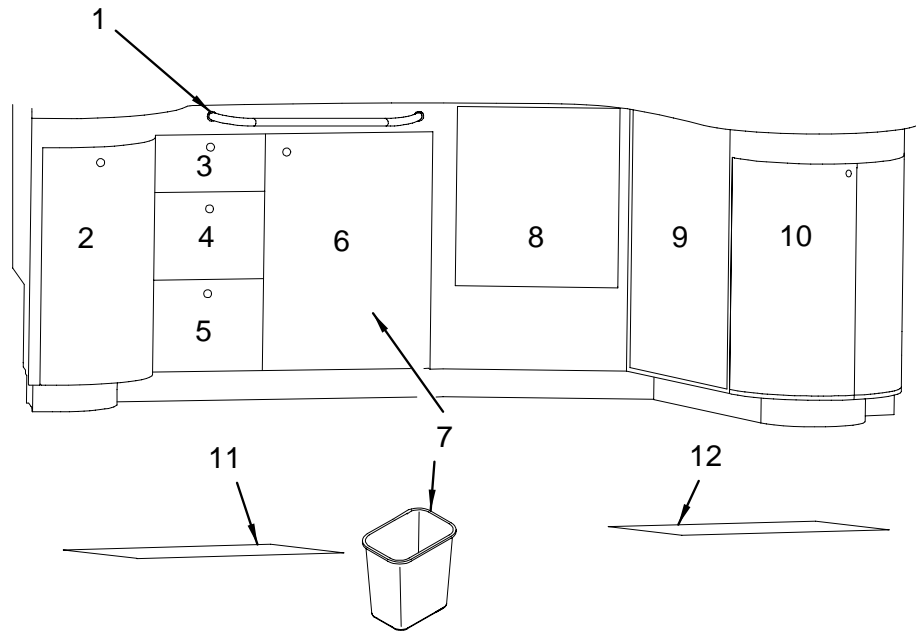
## NOT SHOWN

1757256	ACTUATOR, ELEC DOOR 2 WIRE (HULL#501->506)
186221	BRACKET, ALUM 1.5"X 1.5"X 1.5"SUPPORT
1774386	COVER, HDPE ACCESS 11"X11"X1/4" W/1/2"RD S/F (HULL#514->UP)
1760953	COVER, HDPE 420DA-04 ACCESS 10"X 10"X 1/4"BLK (HULL#501->513)
1743556	COVER, PLEX ACCESS 2" W/ 1/8" RADIUS EDGE
186239	BRACKET, ALUM 1.5"X 1.5"X 3"
513895	ACCESS PLATE, PAINTED PLAS 5" WHT
1298264	BRACKET, PVC 2"X 2"X 26" WHT
960153	SWITCH, IDEA-SERIES SPST (MOM) GREY
1735673	TAMBOUR, 1/8" 4 X 8 BLOSSOM CHERRY
1690718	TAMBOUR, 1/8" 4 X 8 NATURAL MAPLE
698183	BUSHING, PVC 1.5"M SLIP X 1"FPT
188391	CLIP, XMAS TREE
192492	CONN, ROMEX PLAS 1/2"
192500	CONN, ROMEX PLAS 1/2"
838896	COVER, PLAS HINGE ARM CAP WHT (HULL#501->650)
255265	COVER PLATE, BILGE BOX 4"X 4"
948208	FUSE HOLDER, FERRULE TYPE VIMAR
1756646	LATCH, DRAWER FLEXA-TOUCH 04 (HULL#501->506)
1740313	LATCH, SS 420DA-03 GLY FWD LWR ROLL-OUT CAB
168898	NIPPLE, BRASS 1/2"MPT X 3.5"
1748279	SHIM, HDPE GLY CUTTING BRD 4" BLK
154369	SNAP STUD, W/#8 X 3/8" PH SS
877670	TACK STRIP, POLYPROPYLENE 5/8"
1384619	TAILPIECE, PVC FLANGED 1.5"X 12" (HULL#501->631)
279166	TEE, PVC 2"F SLIP ALL THE WAY
141911	HINGE, AL CONT 1.25"X 72" BRT
1468495	STOP, HDPE 380DA/410-01 CAB SLIDER DOOR (HULL#501->554)
1746762	COVER PLATE, 4-GANG PVC BRN
1746763	BOX, RECEPTACLE MTL DBL 1/2 & 3/4
1783285	RACK, PLEX 420DA-05 BOTTLE
1784596	BLOCK, HDPE 390/420DA-05 SALON SLIDER
1784690	INSERT, PLEX 420DA-05 WINE CAB DOOR 1/8" BRNZ
1775739	VELCRO, DUAL LOCK BLK 1" SJ3551/TYPER 400 3M
118653	MIRROR, 1/8"X 15"X 19" CLR (HULL#501)

## NOT SHOWN (continued)

1735598	POST, SS 420DA-03 GLY SATIN FINISH (HULL#501->502)
1762822	MIRROR, 1/8"X 14"X 18" CLR P/E (HULL#502->UP)
813915	FUSE, FERRULE TYPE AGC 7.5A
893222	RECEPTACLE, IDEA-SERIES SGL GRY

GALLEY (LOWER)





## GALLEY (LOWER)

1	1734885	RAIL, SS GRAB 420DA-03 GLY RETAINER 24"
2	1784767	420DA 05,DOOR,STRG LWR FWD GLY CHERRY
	1784768	420DA 05,DOOR,STRG LWR FWD GLY MAPLE
	1311695	DRAWER SLIDE, METAL 30" HYY DTY/FULL EXT
3	1784761	420DA 05,DRWRFC,UPR GLY CHERRY
	1784762	420DA 05,DRWRFC,UPR GLY MAPLE
4	1784763	420DA 05,DRWRFC,CTR GLY CHERRY
	1784764	420DA 05,DRWRFC,CTR GLY MAPLE
5	1784765	420DA 05,DRWRFC,BTM GLY CHERRY
	1784766	420DA 05,DRWRFC,BTM GLY MAPLE
6	1784758	420DA 05,DOOR,STRG LWR MID GLY CHERRY
	1784759	420DA 05,DOOR,STRG LWR MID GLY MAPLE
	1688098	HOLDER, TOWEL BAR GLY
7	431098	BASKET, TRASH 11 3/8"X 8.25"X 12 1/8" BEIGE
	1155167	SNAP SOCKET, LT ACTION
	154419	SNAP BUTTON, W/ 5/16" BARREL
	191650	TAPE, FOAM DBL FACE WHT VINYL 1/16"X 1/2"
	257238	WEBBING, POLYPROPYLENE 1" WHITE
8	1691278	REFRIGERATOR, 3.9CF WAECO W/FLUSH VENT AC/DC
	1748929	REFRIGERATOR, INSERT BLK BTM
	180463	BOX, RECEPTACLE HANDY DUPLEX METAL
	1787508	COVER PLATE, SGL DUPLEX RECEPT BRN LVT (HULL#558->UP)
	145078	COVER PLATE, SGL DUPLEX RECEPT BRN (HULL#501->557)
	1787507	RECEPTACLE, DUPLEX BRN 15A LVT (HULL#565->UP)
	145094	RECEPTACLE, DUPLEX BRN 15A (HULL#501->564)
9	1691279	FREEZER, 1.6CF WAECO W/FLUSH VENT AC/DC
	1748914	FREEZER, INSERT BLK BOTTOM
10	1784755	420DA 05,DOOR,STRG LWR AFT GLY CHERRY
	1784756	420DA 05,DOOR,STRG LWR AFT GLY MAPLE
11	1784760	420DA 05,HATCH,FLOOR FWD SLN
	174599	LIFT HANDLE, HATCH LIFT BOLT 1/4"X 4" SHANK
12	1784757	420DA 05,HATCH,FLOOR AFT SLN
	174599	LIFT HANDLE, HATCH LIFT BOLT 1/4"X 4" SHANK

## DOOR/DRAWER HARDWARE

1381201	HINGE, CONCEALED MT PLATE ONLY BLUM
1450188	CATCH, GRABBER LATCH W/10LB HOLD WHT (UPPER DOOR)
1547215	SLIDE ASSY, DRAWER SLIDE 12" ACCURIDE
1547256	SLIDE ASSY, DRAWER SLIDE 16" ACCURIDE
1612464	HINGE, CONCEALED INT OVERLAY S/C 170DEG
1687312	STAY, ROD LCKR DOOR SUPPORT LH (UPPER DOOR)
1687313	STAY, ROD LCKR DOOR SUPPORT RH (UPPER DOOR)
1742136	PULL, PUSH-BUTTON KNOB SAT/NCKL
1742137	PULL, ROSETTE SAT/NCKL OVAL 19MM
175372	BUMPER, CLEAR SMALL 0.312"ROUND X 0.085"HIGH
1755598	SLIDE ASSY, DRAWER SLIDE 16" HETTICH (HULL#501->514)
525667	HINGE, CONCEALED FULL OVERLAY MT PLATE ONLY
761445	CATCH, RIM-LOCK STRIKE PLATE
772418	CATCH, RIM-LOCK WHT
795773	LATCH, 1/2" SHAFT EXTENSION
839399	HINGE, SELF CLOSING BLUM SCREW-ON
898569	SLIDE ASSY, PIVOT DOOR 12" (KNAPP/VOGT)

## MICA

224204	MICA, 4'X 8'X.042"SAIL WHT MATTE GR12
898882	MICA, PVC EDGE BAND 7/8"X .017 BLK MATTE
586230	MICA, 4'X 8'X.042"BLK MATTE GR12
1727126	MICA, 4'X 10' MADERA/ORME (BURL) GLS
1733075	MICA, 4'X 8'X.038"BLOSSOM CHERRY GLOSS GR12
1733074	MICA, 4'X 8'X.030"BLOSSOM CHERRY GLOSS GR20
1690019	MICA, 4'X 8'X.038"NATURAL MAPLE GLOSS GR12
1690017	MICA, 4'X 8'X.030"NATURAL MAPLE GLOSS GR20

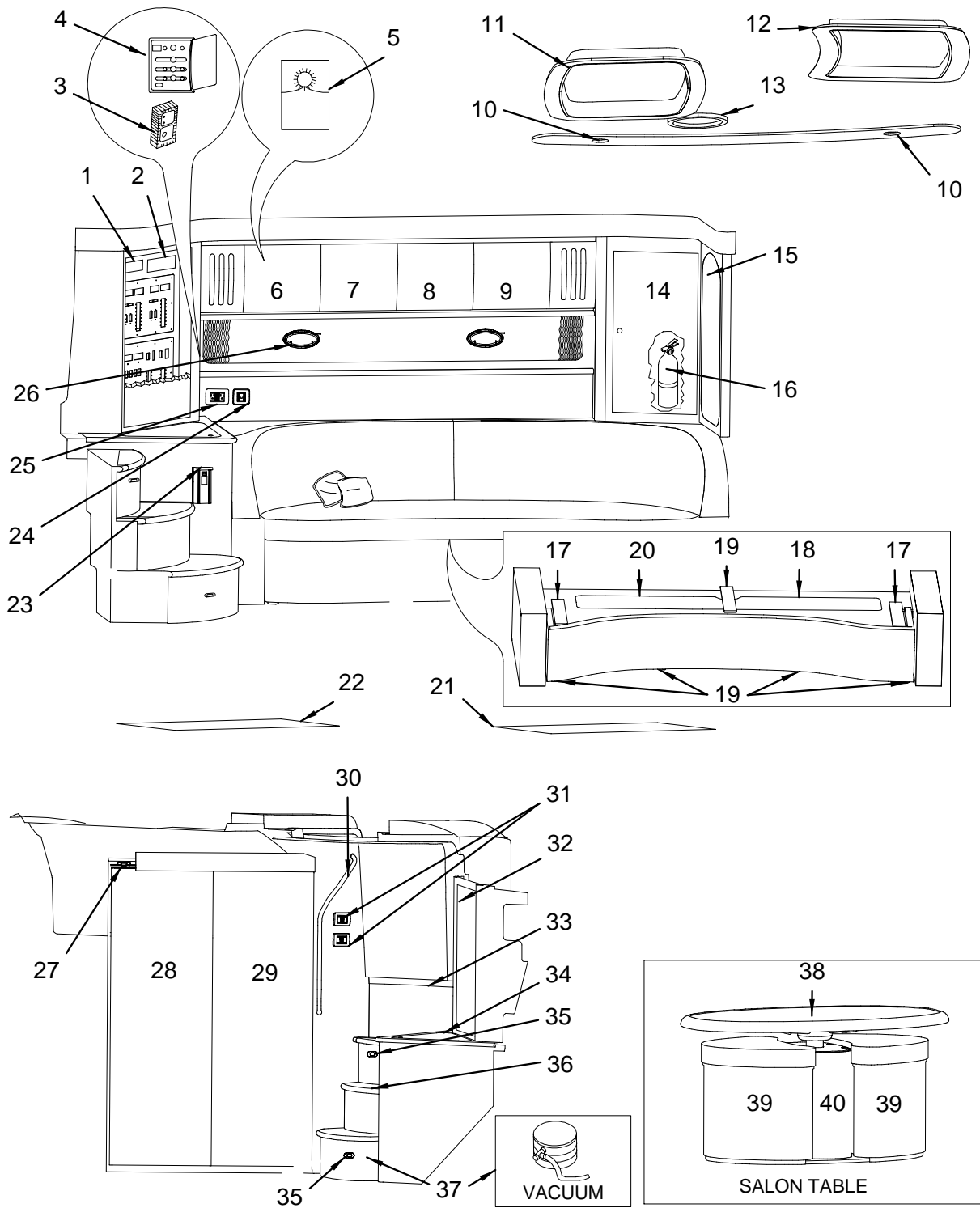
## NOT SHOWN

1757256	ACTUATOR, ELEC DOOR 2 WIRE (HULL#501->506)
186221	BRACKET, ALUM 1.5"X 1.5"X 1.5"SUPPORT
1774386	COVER, HDPE ACCESS 11"X11"X1/4" W/1/2"RD S/F (HULL#514->UP)
1760953	COVER, HDPE 420DA-04 ACCESS 10"X 10"X 1/4"BLK (HULL#501->513)
1743556	COVER, PLEX ACCESS 2" W/ 1/8" RADIUS EDGE
186239	BRACKET, ALUM 1.5"X 1.5"X 3"

## NOT SHOWN (continued)

513895	ACCESS PLATE, PAINTED PLAS 5" WHT
1298264	BRACKET, PVC 2"X 2"X 26" WHT
960153	SWITCH, IDEA-SERIES SPST (MOM) GREY
1735673	TAMBOUR, 1/8" 4 X 8 BLOSSOM CHERRY
698183	BUSHING, PVC 1.5" M SLIP X 1" FPT
1690718	TAMBOUR, 1/8" 4 X 8 NATURAL MAPLE
188391	CLIP, XMAS TREE
192492	CONN, ROMEX PLAS 1/2"
192500	CONN, ROMEX PLAS 1/2"
838896	COVER, PLAS HINGE ARM CAP WHT (HULL#501->650)
255265	COVER PLATE, BILGE BOX 4"X 4"
948208	FUSE HOLDER, FERRULE TYPE VIMAR
1756646	LATCH, DRAWER FLEXA-TOUCH 04 (HULL#501->506)
1740313	LATCH, SS 420DA-03 GLY FWD LWR ROLL-OUT CAB
168898	NIPPLE, BRASS 1/2"MPT X 3.5"
1748279	SHIM, HDPE GLY CUTTING BRD 4" BLK
154369	SNAP STUD, W/#8 X 3/8" PH SS
877670	TACK STRIP, POLYPROPYLENE 5/8"
1384619	TAILPIECE, PVC FLANGED 1.5"X 12" (HULL#501->631)
279166	TEE, PVC 2" F SLIP ALL THE WAY
141911	HINGE, AL CONT 1.25"X 72" BRT
1468495	STOP, HDPE 380DA/410-01 CAB SLIDER DOOR (HULL#501->554)
1746762	COVER PLATE, 4-GANG PVC BRN
1746763	BOX, RECEPTACLE MTL DBL 1/2 & 3/4
1783285	RACK, PLEX 420DA-05 BOTTLE
1784596	BLOCK, HDPE 390/420DA-05 SALON SLIDER
1784690	INSERT, PLEX 420DA-05 WINE CAB DOOR 1/8" BRNZ
1775739	VELCRO, DUAL LOCK BLK 1" SJ3551/TYPE 400 3M

SALON



## SALON

1	1782017	STEREO, AMP CLARION APX480M (HULL#503->UP)	26	1513183	TRIM RING, PORTLIGHT 3/8" SS (OPENING PORT LIGHTS IN SALON & GALLEY)	
	1598853	STEREO, AMP CLARION APX400 4M (HULL#501->502)		1331313	PORTLIGHT, SCREEN 3/8"X 7/8" (OPENING PORT LIGHTS IN SALON & GALLEY)	
	1751777	STEREO, AM/FM CD PLAYER W/CHNGR CNTRL SIR SAT		1747493	LABEL, LEAVING WINDOW OPEN EXHAUST FUMES (OPENING PORT LIGHTS IN SALON & GALLEY)	
	1767698	STEREO, AMP MARINE AUDIO MAA402 12V		27	641597	GUIDE, TOP PIVOT ROLLER
	1363027	ANTENNA, EXTENSION 25' STEREO CABLE		1755050	LOCK, ASSY SLIDING DOOR BRUSHED CHR	
	692335	CABLE, STEREO PATCH 12'		633776	ROLLER, HANGER TOP MOUNT BRKT (GLIDE MASTER)	
	1735739	REMOTE, STEREO INFRA RED MOUSE EMITTER (HULL#501->502)		633768	ROLLER, POCKET DOOR HANGER (GLIDE MASTER)	
	1758298	ISOLATOR, 2-CHANNEL GROUND LOOP (RCA)		878934	TRACK, 400DA DBL DOOR BYPASSING 6'	
2	1733835	STEREO, CD CHANGER 6-DISC DCZ625 C-NET		1727644	TRACK, SLIDER DOOR LWR 72"	
	1122357	STEREO, CD (6 DISC) MAGAZINE CLARION	28	1784799	420DA 05,DOOR,PKT FOLLOW MIDSTRM CHERRY	
3	1781228	MONITOR, CO DETECTOR WHT CMD-4 (HULL#517->UP)		1784800	420DA 05,DOOR,PKT FOLLOW MIDSTRM MAPLE	
	1782156	PLATE, CO MONITOR BACKING WHT (CMD-4) (HULL#517->UP)		29	1784797	420DA 05,DOOR,PKT LEAD MIDSTRM CHERRY
	965707	MONITOR, CO DETECTOR WHT (HULL#501->516)		1784798	420DA 05,DOOR,PKT LEAD MIDSTRM MAPLE	
	1189687	PLATE, CO MONITOR BACKING WHT (HULL#501->516)		30	1736977	RAIL, GRAB 420DA-03 SLN ENTRYWAY
4	1604271	A/C COMP, DISPLAY ECU BLK W/3/4" DOOR		1741009	COVER PLATE, IDEA-SERIES 2OR3-GANG NKL RONDO	
	1055821	A/C COMP, FACE PLATE FOR CONTROL BLK		893289	FRAME, IDEA-SERIES 3-GANG SUPPORT FRAME GREY	
5	1180041	ANTENNA, TV AMP W/SHIP/SHORE A/B SW 12/24VDC		894626	SWITCH, IDEA-SERIES SPDT GREY	
6	1784780	420DA 05,DOOR,STRG LEFT END UPR SLN CHERRY		893230	COCKPIT LIGHTS, STEP LIGHTS	
	1784781	420DA 05,DOOR,STRG LEFT END UPR SLN MAPLE		627737	SWITCH, IDEA-SERIES SPST GREY	
7	1784782	420DA 05,DOOR,STRG CTR LH UPR SLN CHERRY		627737	CABIN STEREO, COCKPIT STEREO, SALON, INDIRECT	
	1784783	420DA 05,DOOR,STRG CEN LH UPR SLN MAPLE	32	1784788	BOX, RECEPTACLE/SWITCH PVC 1-GANG DEEP	
8	1784784	420DA 05,DOOR,STRG CTR RH UPR SLN CHERRY		1784789	420DA 05,DOOR,MDP SLN CHERRY	
	1784785	420DA 05,DOOR,STRG CTR RH UPR SLN MAPLE		420DA 05,DOOR,MDP SLN MAPLE		
9	1784786	420DA 05,DOOR,STRG RIGHT END UPR SLN CHERRY	33	1738153	THRESHOLD, SS 420DA-03 ENTRYWAY INT	
	1784787	420DA 05,DOOR,STRG RIGHT END UPR SLN MAPLE		34	1779832	TOP, KARADON 420DA-05 SLN PRT AFT LUM GLD
10	1742138	LIGHT, DAVID-EYEBALL SAT/NCKL RING/FRST LENS		1779831	TOP, KARADON 420DA-04 SLN PRT AFT CNDL GLW	
	1448463	BULB, XENON 12V/10W		1779834	(CANDLE GLOW - GALLEY / HEAD COUNTER TOPS)	
11	1736258	LIGHT, FLUOR THINLITE SGL 18WATT (12V)		1779833	LID, KARADON 420DA-05 SLN PRT AFT LUM GLD	
	1784775	420DA 05,MUFF,FLUOR LIGHT INSERT SLN		1779833	LID, KARADON 420DA-03 SLN PRT AFT CNDL GLW	
	1734527	COVER, PLEX 420DA-03 SLN CEILING VLNC LIGHT		1734480	(CANDLE GLOW - GALLEY / HEAD COUNTER TOPS)	
	1485572	PLASTIC, ULTRAMATTE 1/8"X 24"X 48" WHT/BLK (CEILING PANEL)	35	1796195	TRAY, T/F TRIANGLE STRG TRAY BLK 19.75"X20.62	
12	1629914	WINDOW, 550/420DA-03 SKYLGT DECK		1742143	LIGHT, WHT LED STORM/L SAT/NCKL 12VDC	
	1784774	420DA 05,MUFF,SKYLIGHT INSERT SLN		1742143	(HULL#623->UP)	
	1777210	SCREEN, 420DA SKYLIGHT SUNSHD RSS BEIGE MARK V		1642438	LIGHT, STEP LED STORM 12V SAT/NCKL	
13	1690557	SPEAKER, COAXIAL 6.5" N/CVR		1742143	(HULL#501->622)	
	701904	WIRE, 16/2 RED/CLR SPKR OXYGEN-FREE CPR		1642438	BULB, REPL FOR LED STORM 12V (1624766)	
	701912	WIRE, 16/2 GRN/CLR SPKR OXYGEN-FREE CPR	36	1784796	420DA 05,HATCH,ENTRY STEP SLN	
14	1784788	420DA 05,DOOR,MDP SLN CHERRY		141903	HINGE, AL CONT 2"X 72" SAT	
	1784789	420DA 05,DOOR,MDP SLN MAPLE		1783926	CHERRY, P/C 420DA-05 STEP SET 4PC	
	1763514	INSERT, PLEX 390DA-04 MDP DOOR BRNZ 1/8"		1778641	(HULL#638->UP)	
15	1781697	MIRROR, 1/8"X 18"X 36" CLR (HULL#503->UP)		1778641	TEAK, P/C 420DA-05 TEAK STEP 4PC	
	1735644	MIRROR, 1/8"X 19"X 36" CLR (HULL#501->502)	37	1690898	(HULL#502->637)	
16	1581099	FIRE EXT, DRY CHEM HAND-HELD 1A 10BC 2.5OLB (WATER DELIVERY - INCLUDES SAFETY PKG & FUEL)		1314376	VACUUM, CENTRAL SYS 110V WET/DRY #35	
17	1271063	DRAWER SLIDE, METAL 20" HVY DTY/FULL EXT		1788977	(HULL#557->UP) (VACUUM SYSTEM, CENTRAL - BEAM -	
18	1784790	420DA 05,HATCH,SLIDING FWD STRG PRT SLN		1314376	120V/60)	
19	1733743	SLIDE, P/B 420DA-03 SLN SOFA KIT (5PC)		1788977	VACUUM, CENTRAL SYS 110V W/INST KIT #34	
20	1784791	420DA 05,HATCH,SLIDING AFT STRG PRT SLN		1314376	(HULL#501->556) (VACUUM SYSTEM, CENTRAL - BEAM -	
21	1784760	420DA 05,HATCH,FLOOR FWD SLN		1788977	120V/60)	
	174599	LIFT HANDLE, HATCH LIFT BOLT 1/4"X 4" SHANK		1314384	VACUUM, CENTRAL SYS 220V W/INST KIT #35	
22	1784757	420DA 05,HATCH,FLOOR AFT SLN		1314384	(HULL#581->UP) (VACUUM SYSTEM, CENTRAL - BEAM -	
	174599	LIFT HANDLE, HATCH LIFT BOLT 1/4"X 4" SHANK		1314384	220V/50)	
23	1684145	CONVERTER, 40AMP 120VAC/12VDC		1787508	VACUUM, CENTRAL SYS 220V W/INST KIT #34	
	1459643	CONVERTER, PROTECH 12V/40A 12/220VAC 50/60HZ (220 VOLT / 50 CYCLE ELECTRICAL SYSTEM)		1787508	(HULL#515->580) (VACUUM SYSTEM, CENTRAL - BEAM -	
24	1741008	COVER PLATE, IDEA-SERIES 1-GANG NKL RONDO		1787508	220V/50)	
	893255	INLET, IDEA-SERIES PHONE GRY		1787508	COVER PLATE, SGL DUPLEX RECEPT BRN LVT	
	952010	FRAME, IDEA-SERIES 1-GANG SUPPORT W/RIBS		1787508	(HULL#558->UP) (VACUUM SYSTEM, CENTRAL - BEAM -	
25	1741009	COVER PLATE, IDEA-SERIES 2OR3-GANG NKL RONDO		145078	120V/60)	
	893222	RECEPTACLE, IDEA-SERIES SGL GRY		1787507	COVER PLATE, SGL DUPLEX RECEPT BRN	
	893263	SWITCH, BLANK IDEA-SERIES GREY		1787507	(HULL#501->557) (VACUUM SYSTEM, CENTRAL - BEAM -	
26	1453992	PORTLIGHT, OPENING ALL SS 3/8"-7/8" MOD REV1 (OPENING PORT LIGHTS IN SALON & GALLEY)		1787507	120V/60)	
	866434	KNOB, PORTLIGHT KNOB ONLY (BOMAR) (OPENING PORT LIGHTS IN SALON & GALLEY)		145094	RECEPTACLE, DUPLEX BRN 15A LVT	
	1107044	PORTLIGHT, HANDLES QUICKDOGS (BOMAR) (OPENING PORT LIGHTS IN SALON & GALLEY)		145094	(HULL#565->UP) (VACUUM SYSTEM, CENTRAL - BEAM -	
	1314459	PORTLIGHT, GASKET SATURATED FOAM (OPENING PORT LIGHTS IN SALON & GALLEY)		145094	120V/60)	
	1331735	PORTLIGHT, GASKET ONLY (BOMAR) (OPENING PORT LIGHTS IN SALON & GALLEY)		1334515	RECEPTACLE, DUPLEX BRN 15A	
	1331750	PORTLIGHT, LENS ONLY (BOMAR) (OPENING PORT LIGHTS IN SALON & GALLEY)		1334515	(HULL#501->564) (VACUUM SYSTEM, CENTRAL - BEAM -	
				1334515	120V/60)	
				180463	VACUUM, ELBOW 90DEG FM X FM 2" WHT	
				814087	(VACUUM SYSTEM, CENTRAL - BEAM - 120/60 & 220V/50)	
				899740	BOX, RECEPTACLE HANDY DUPLEX METAL	
				770354	(VACUUM SYSTEM, CENTRAL - BEAM - 120/60 & 220V/50)	
				774679	VACUUM SYSTEM, CENTRAL - BEAM - 120/60 & 220V/50)	
				38	1757287	GROMMET, O/B MOTOR WELL FLANGE BLK PLAS
				1757729	(VACUUM SYSTEM, CENTRAL - BEAM - 120/60 & 220V/50)	
				1727801	BAG, VACUUM REPL FOR MDL #S 99501/99502	
					(VACUUM SYSTEM, CENTRAL - BEAM - 120/60 & 220V/50)	
					VACUUM, HOSE 20' W/ATTACHMENTS	
					(VACUUM SYSTEM, CENTRAL - BEAM - 120/60 & 220V/50)	
					VACUUM, HOSE 40' VINYL GREY 2"ID FLEX	
					(VACUUM SYSTEM, CENTRAL - BEAM - 120/60 & 220V/50)	
					TABLE TOP, SPYCHT SLN OVAL N/LIP FNSHD CHERRY	
					(MAPLE FINISH)	
					TABLE TOP, SPYCHT SLN OVAL N/LIP FNSHD MAPLE	
					(MAPLE FINISH)	
					POST, TABLE LEG 29.25"X 2 7/8" ANOD SNGL TP	

38 1125285 BASE, TABLE FLUSH MNT ALUM TPR CASTING  
1473818 MOUNT, TBL SUPPORT  
1690313 POST, TBL LEG 17.5"-27.5" W/GAS CYL 2 7/8"DIA  
(SALON TABLE UPGRADE WITH STOOLS)  
1727530 BASE, TBL ELLIP W/CHAMFERED EDGE ANOD  
(SALON TABLE UPGRADE WITH STOOLS)  
39 1784792 420DA 05,STOOL,SLN TBL CHERRY P/S  
(SALON TABLE UPGRADE WITH STOOLS)  
1784793 420DA 05,STOOL,SLN TBL MAPLE P/S  
(SALON TABLE UPGRADE WITH STOOLS)  
1690312 BASE, HDPE SPYACHT SLN OTTOMAN FOOT BLK  
(SALON TABLE UPGRADE WITH STOOLS)  
188391 CLIP, XMAS TREE  
(SALON TABLE UPGRADE WITH STOOLS)  
167171 DACRON, CUMULUS 3/4OZ X 27"W  
(SALON TABLE UPGRADE WITH STOOLS)  
1228352 FABRIC, ULTRALEATHER MILKWEED #3455  
(SALON TABLE UPGRADE WITH STOOLS)  
1690340 FOAM, P/C SPYACHT OTTOMAN SEAT  
(SALON TABLE UPGRADE WITH STOOLS)  
586230 MICA, 4'X 8'X.042"BLK MATTE GR12  
(SALON TABLE UPGRADE WITH STOOLS)  
1733075 MICA, 4'X 8'X.038"BLOSSOM CHERRY GLOSS GR12  
(SALON TABLE UPGRADE WITH STOOLS)  
1690017 MICA, 4'X 8'X.030"NATURAL MAPLE GLOSS GR20  
(SALON TABLE UPGRADE WITH STOOLS)  
40 1784794 420DA 05,POSTCVR,SLN TBL CHERRY P/S  
1784795 420DA 05,POSTCVR,SLN TBL MAPLE P/S

## NOT SHOWN (continued)

512244 BRACKET, ALUM 1/8"X 2"X 6" FLAT  
186221 BRACKET, ALUM 1.5"X 1.5"X 1.5"SUPPORT  
188391 CLIP, XMAS TREE  
864306 CONN, COAX 'F' TWIST-ON  
1746766 CONN, COUPLER RCA FEMALE INLINE GOLD  
1756065 LATCH, M/S SUNDECKER NORTH W/EYELET  
(HULL#501->506)  
1733944 LIGHT, COURTESY SURF MNT BLK LED OVAL  
(HULL#597->UP)  
1755683 BULB, REPL FOR COURTESY SURF MNT WHT LED OVAL  
1472026 LIGHT, COURTESY SURF MNT WHT LED OVAL  
(HULL#501->596) (BULB NOT SOLD SEPARATELY)  
1744028 LIGHT, STRIP TAC "BLUE" 72"  
224204 MICA, 4'X 8'X.042"SAIL WHT MATTE GR12  
798314 SNAP CAP, PRESS-ON COVER #2 PHILLIP BLK  
1775733 VELCRO, DUAL LOCK BLK 1.12" DIA 1-HOLE SJ3755

## DOOR/DRAWER HARDWARE

838896 COVER, PLAS HINGE ARM CAP WHT  
(HULL#501->650)  
1450188 CATCH, GRABBER LATCH W/10LB HOLD WHT  
(UPPER DOOR)  
1612464 HINGE, CONCEALED INT OVERLAY S/C 170DEG  
(UPPER DOOR)  
1687312 STAY, ROD LCKR DOOR SUPPORT LH  
(UPPER DOOR)  
1742136 PULL, PUSH-BUTTON KNOB SAT/NCKL  
1742137 PULL, ROSETTE SAT/NCKL OVAL 19MM  
175372 BUMPER, CLEAR SMALL 0.312"ROUND X 0.085"HIGH  
525667 HINGE, CONCEALED FULL OVERLAY MT PLATE ONLY  
761445 CATCH, RIM-LOCK STRIKE PLATE  
772418 CATCH, RIM-LOCK WHT  
839399 HINGE, SELF CLOSING BLUM SCREW-ON  
1687313 STAY, ROD LCKR DOOR SUPPORT RH  
(UPPER DOOR)

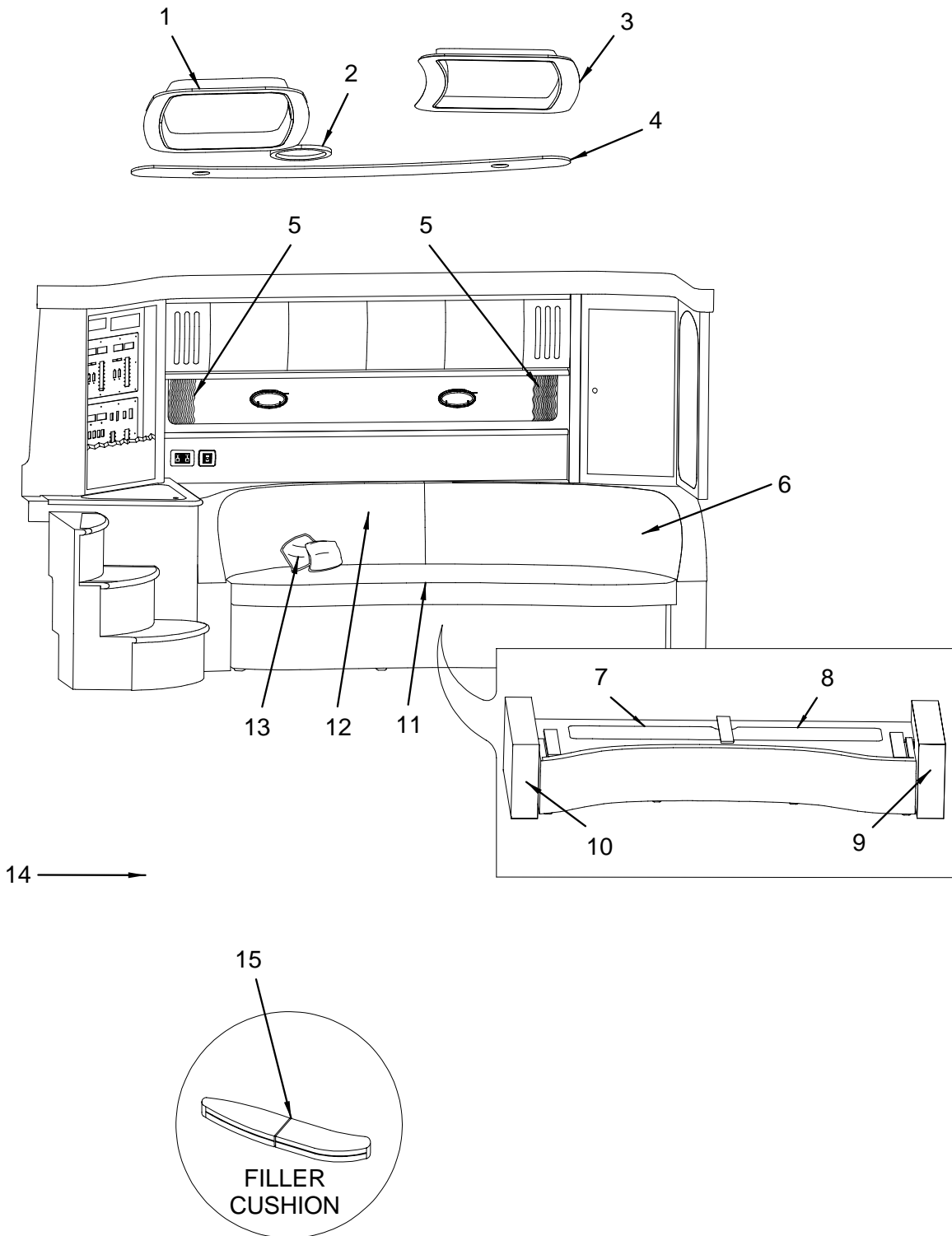
## LABELS

1450915 LABEL, 7/16"X 7/8" CABIN STEREO  
1746898 LABEL, 7/16"X 7/8" CKPT  
1764402 LABEL, 7/16"X 7/8" CKPT STEREO CHG ADH/SUBSTR  
1751883 LABEL, 7/16"X 7/8" SALON  
1751880 LABEL, 7/16"X 7/8" VALANCE  
1744740 LABEL, 2"X 1/2" PRT  
1743511 LABEL, 2"X 1/2" STB  
187245 LABEL, BOATMAN'S CHECK LIST  
1743546 LABEL, DO NOT STORE HEAVY/SHARP OBJECTS  
1745511 LABEL, DO NOT USE FOR STRG  
1747505 LABEL, INFO REPL PROD/BROCH/DLRLOC/ETC  
1744734 LABEL, MANUAL BULKHEAD (LEXAN)  
1745156 LABEL, NOTICE OVERBOARD DISCHARGE (LEXAN)  
1745515 LABEL, WARNING DO NOT STAND/WALK THIS AREA

## NOT SHOWN

1596923 FUSE HOLDER, BLADE TYPE ACCY 10A  
1763021 HINGE, AL CONT 2.5"X 58" SAT  
1773162 CABLE, VIDEO 12" "S"  
186239 BRACKET, ALUM 1.5"X 1.5"X 3"  
1746444 BUMPER, CLEAR ACRY ADHESIVE  
1774366 COVER, HDPE ACCESS 6"X 12"X 1/4" W1/2"RD S/F  
1774367 COVER, HDPE ACCESS 8"X 8"X 1/4" W1/2"RD S/F  
1774385 COVER, HDPE ACCESS 6"X 6"X 1/4" W1/2" S/F  
(HULL#503->UP)  
1756412 COVER, HDPE ACCESS 6"X 6"X 1/4" W1/2"RD WHT  
(HULL#501->502)  
1774368 COVER, HDPE ACCESS 9"X 12"X 1/4" W1/2"RD S/F  
179572 BUSS BAR, COPPER 1/8"X 1/2" W3/16" HOLES  
1750880 CABLE, RCA AUDIO 6' W/EFX-2 CONN W/NOISE SUPP  
1780957 MODULE, MTR CONTRL REVSNG LATCH 2.5-13A  
(HULL#503->UP)  
1780959 MODULE, MTR CONTRL REVSNG LATCH 3.5-18A  
(HULL#501->502)  
1740273 CARD, QUICK REFERENCE SHRPWR SPYACHT/02 RV1

SALON (UPHOLSTERY)



**SALON (UPHOLSTERY)****NOT SHOWN**

- 1 1784775 420DA 05,MUFF,FLUOR LIGHT INSERT SLN  
 2 1090430 FABRIC, SPKR CLOTH CREPE BUFF #18994 1/8"FB  
 (INTERIOR A, B, D)  
 931501 FABRIC, SPKR CLOTH CREPE SAND #17027 1/8"FB  
 (INTERIOR C)  
 3 1784774 420DA 05,MUFF,SKYLIGHT INSERT SLN  
 4 1784801 420DA 05,MUFF,LIGHT INSERT SLN  
 5 1784862 CURTAIN, 420DA-05 PKGA-NYSE SLN/GLY  
 1784863 CURTAIN, 420DA-05 PKGB-MARV SAFFRON SLN/GLY  
 1784864 CURTAIN, 420DA-05 PKGC-COLTRANE TAUPE SLN/GLY  
 1784865 CURTAIN, 420DA-05 PKGD-BROADCST CEDAR SLN/GLY  
 132183 TRACK, ALUM CURT TRK 0.275"X 0.688" TAB TYPE  
 6 1784802 420DA 05,B/R,SOFA FWD SLN  
 1784803 420DA 05,B/R SKN,SOFA FWD SLN  
 1736989 FOAM, P/C 420DA-03 SLN SOFA PRT FWD BCKRST  
 7 1784791 420DA 05,HATCH,SLIDING AFT STRG PRT SLN  
 8 1784790 420DA 05,HATCH,SLIDING FWD STRG PRT SLN  
 9 1784804 420DA 05,BASE SKN,FWD SLN  
 10 1784805 420DA 05,BASE SKN,AFT SLN  
 11 1784806 420DA 05,CUSH,SOFA FWD SLN  
 1784807 420DA 05,CUSH SKN,SOFA FWD SLN  
 1736984 FOAM, P/C 420DA-03 SLN SOFA CUSH  
 12 1784808 420DA 05,B/R,SOFA AFT SLN  
 1784809 420DA 05,B/R SKN,SOFA AFT SLN  
 1736987 FOAM, P/C 420DA-03 SLN SOFA PRT AFT BCKRST  
 13 1774235 PILLOW PKG, 2005 SPYT PKGA SLN (2) NEUTRAL  
 1774242 PILLOW PKG, 2005 SPYACHT PKGB SLN (2)  
 1774246 PILLOW PKG, 2005 SPYACHT PKGC SLN (2)  
 1774267 PILLOW PKG, 2005 SPYACHT PKGD SLN (2)  
 14 1467182 CARPET, INT 44 OZ WHEATON 6'W 100% BCF NYLON  
 (INTERIOR A, B, D)  
 1467166 CARPET, INT 44 OZ SNOW 6'W 100% BCF NYLON  
 (INTERIOR C)  
 15 1784810 420DA 05,CUSH,SOFA FILR SLN  
 1784811 420DA 05,CUSH SKN,SOFA FILR SLN  
 1737544 FOAM, P/C 420DA-03 SLN SOFA FILR CUSH

- 1740879 FOAM, P/C 420DA-03 SLN SOFA/SEAT/CUSH/BCKRST  
 178426 VELCRO, HOOK WHT 1"X 4' VELSTICK  
 178517 VELCRO, LOOP WHT 2"  
 726422 VINYL, SLIT 6" WHITE MESH

**CARPET RUNNER**

- 1180025 CANVAS, SUNBRELLA TOAST TWEED 60"

**CURTAIN SET COMPLETE**

- 1771974 CURTAIN, 420DA-05 PKGA-NYSE  
 1771988 CURTAIN, 420DA-05 PKGB-MARVELOUS SAFFRON  
 1771997 CURTAIN, 420DA-05 PKGC-COLTRANE TAUPE  
 1772006 CURTAIN, 420DA-05 PKGD-BROADCAST CEDAR

**FABRICS**

- 1764814 VINYL, ULTRALEATHER DISTRESSED LASSO FLAT  
 (INTERIOR A)  
 1770246 FABRIC, ULTRALEATHER DISTRESSED WAYLAN  
 (INTERIOR B)  
 1773867 FABRIC, ULTRALEATHER OSTRICH TUMBLEWEED  
 (INTERIOR C)  
 1180744 VINYL, ULTRALTHR PECAN 3778  
 (INTERIOR D)  
 1765029 FABRIC, RAFFIA LARGE WEAVE FLAT  
 (INTERIOR A, B)  
 1773891 FABRIC, RAFFIA LARGE WEAVE BLOND FLAT  
 (INTERIOR C)  
 1768928 FABRIC, RAFFIA LARGE WEAVE BLK/TAN FLAT  
 (INTERIOR D)

**HEADLINER/HULL LINER/WASHABLE SURFACE**

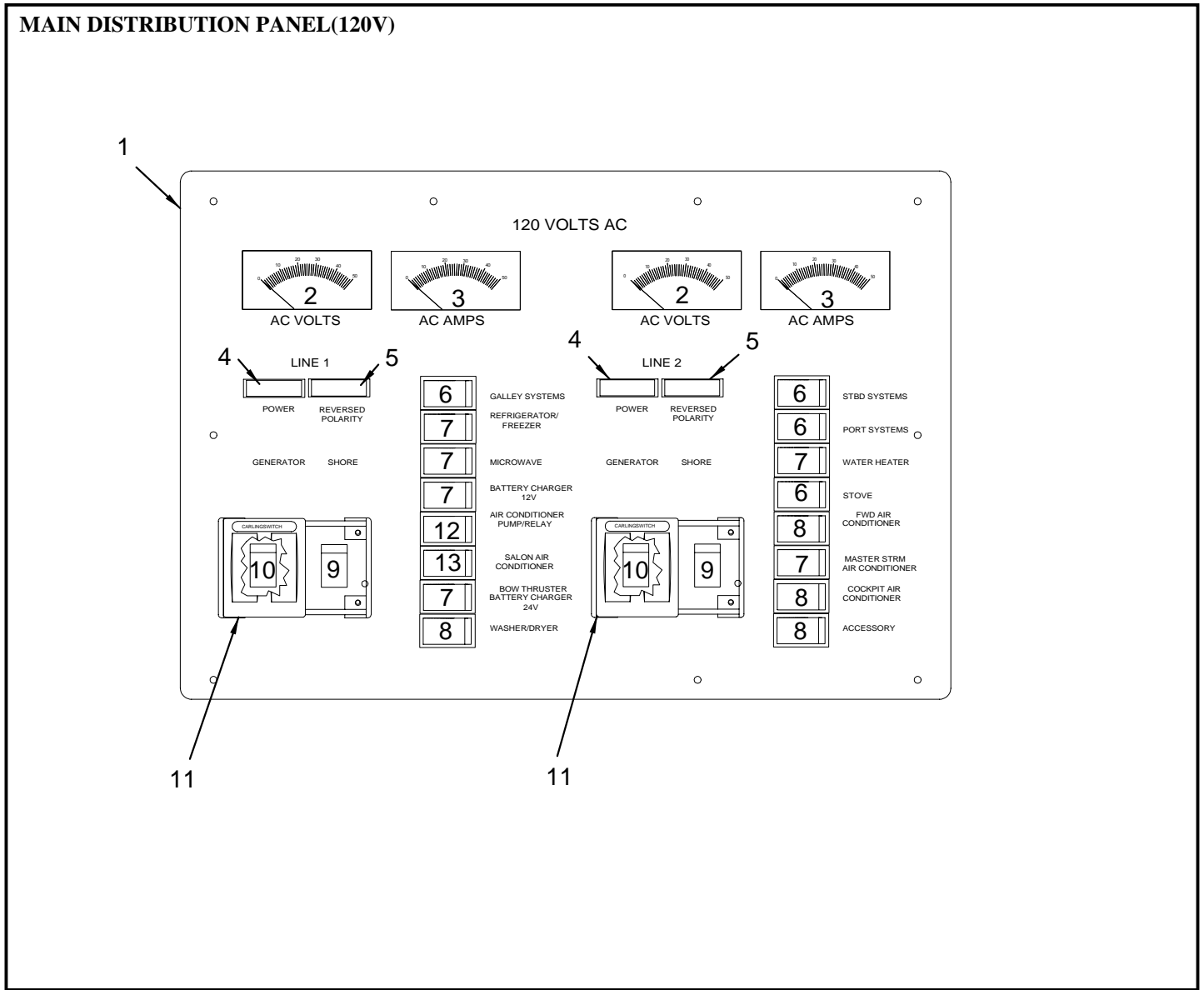
- 1079797 VINYL, ALLANTE II CHAMPAGNE EXP FLAT  
 (INTERIOR A, B, D)  
 892075 VINYL, ALLANTE II SEA OYSTER EXP FLAT  
 (INTERIOR C)  
 1091743 VINYL, ALLANTE II CHAMPAGNE EXP 1/4"F/B DOW  
 (INTERIOR A, B, D)  
 986810 VINYL, ALLANTE II SEA OYSTER EXP 1/4"F/B DOW  
 (INTERIOR C)

**SALON SOFA (STANDARD)**

- 1228352 FABRIC, ULTRALEATHER MILKWEED #3455

**STORAGE & BUNK TOPS**

- 1128487 FABRIC, GEOMETRIC STRAW (NDLPNCH) W/BACK



**MAIN DISTRIBUTION PANEL(120V)**

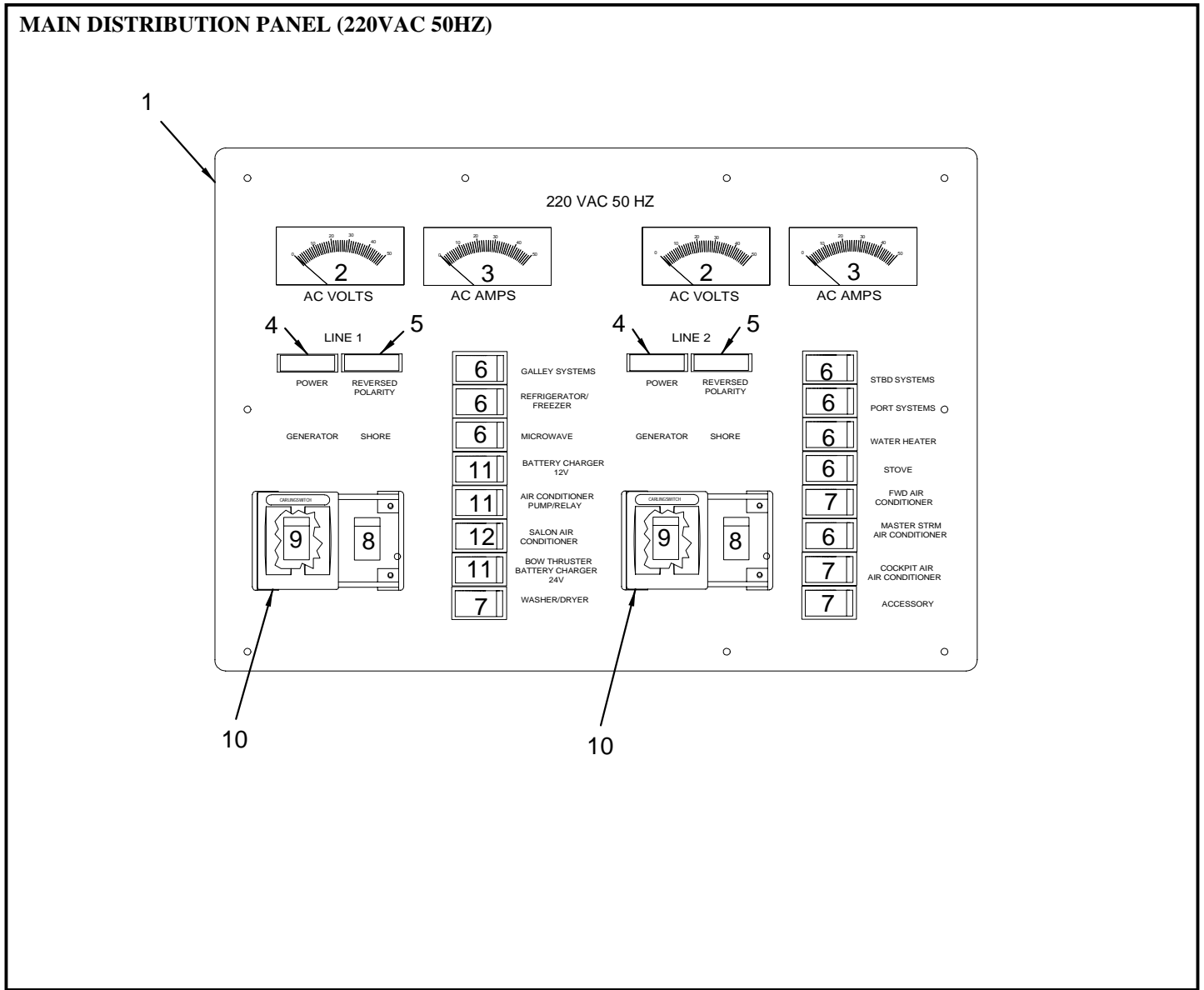
**NOT SHOWN (continued)**

- 1 1686643 PANEL, BLANK:390/420DA-04 MAIN DIST 120VAC
- 2 1464916 GAUGE, VOLTMETER 0-150 VAC
- 3 1741251 GAUGE, AMMETER AC 0-50 2 % SELF-CONT
- 4 572529 LIGHT, POLARITY GRN 125V
- 5 557611 LIGHT, POLARITY RED 125V
- 6 331991 BRKR/ROCK, SGL-POLE AC/DC HORZ 20A WHT
- 7 332031 BRKR/ROCK, SGL-POLE AC/DC HORZ 15A WHT
- 8 432872 PLUG, BRKR/ROCK
- 9 376889 BRKR, IN-LINE 30A 110V
- 10 493262 BRKR, IN-LINE 50A 110V
- 11 1451525 SLIDE ASSY, SLIDE BAR MDP PANEL C-SERIES BRKR
- 12 332593 BRKR/ROCK, SGL-POLE AC/DC HORZ 10A WHT
- 13 331959 BRKR/ROCK, SGL-POLE AC/DC HORZ 30A WHT

- 1472026 LIGHT, COURTESY SURF MNT WHT LED OVAL (HULL#501->596) (BULB NOT SOLD SEPARATELY)
- 1735908 PANEL, 420/500DA-03 DC DIST ENCL BOX
- 795765 STANDOFF, VOLTMETER LENS STANDOFF 1/4"

**NOT SHOWN**

- 1740286 BODY, ROCK SW DPST 12V W/LED LAMP
- 1420082 FUSE BLOCK, 10-GNG CO MONITOR W/LABELS
- 1749388 GALVANIC ISOLATOR, PROSAFE 30AMP (ISOL ONLY) (HULL#554->UP)
- 802074 GALVANIC ISOLATOR, ZINC SAVER II 30AMP (HULL#501->553)
- 1747678 HINGE, ALUM .060"X 1 5/8"X 19.75" BLK
- 1733944 LIGHT, COURTESY SURF MNT BLK LED OVAL (HULL#597->UP)
- 1755683 BULB, REPL FOR COURTESY SURF MNT WHT LED OVAL



**MAIN DISTRIBUTION PANEL (220VAC 50HZ)**

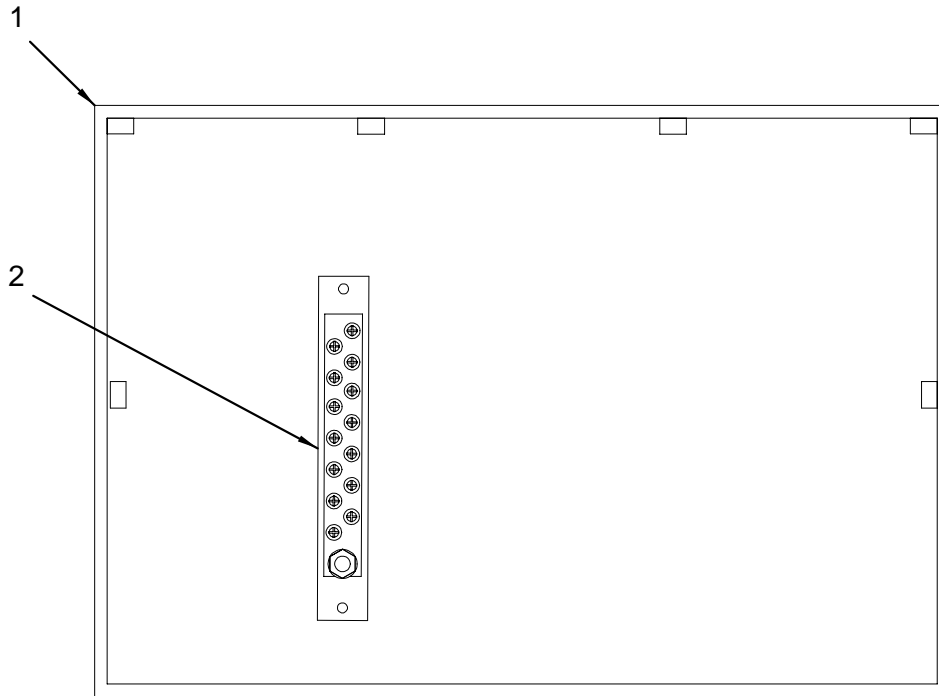
- 1 1690736 PANEL, BLANK:390MY/420DA-03 MAIN DIST 220VAC
- 2 1464940 GAUGE, VOLTMETER 0-300 VAC
- 3 1741251 GAUGE, AMMETER AC 0-50 2 % SELF-CONT
- 4 557603 LIGHT, POLARITY GRN 220V
- 5 557629 LIGHT, POLARITY RED 220V
- 6 332593 BRKR/ROCK, SGL-POLE AC/DC HORZ 10A WHT
- 7 432872 PLUG, BRKR/ROCK
- 8 851295 BRKR/TOGGLE, 2-POLE AC MED DELAY 20A (10-32)
- 9 582445 BRKR/TOGGLE, 2-POLE AC MED DELAY 35A
- 10 1451525 SLIDE ASSY, SLIDE BAR MDP PANEL C-SERIES BRKR
- 11 353326 BRKR/ROCK, SGL-POLE AC/DC HORZ 5A WHT
- 12 332031 BRKR/ROCK, SGL-POLE AC/DC HORZ 15A WHT

**NOT SHOWN**

- 795765 STANDOFF, VOLTMETER LENS STANDOFF 1/4"



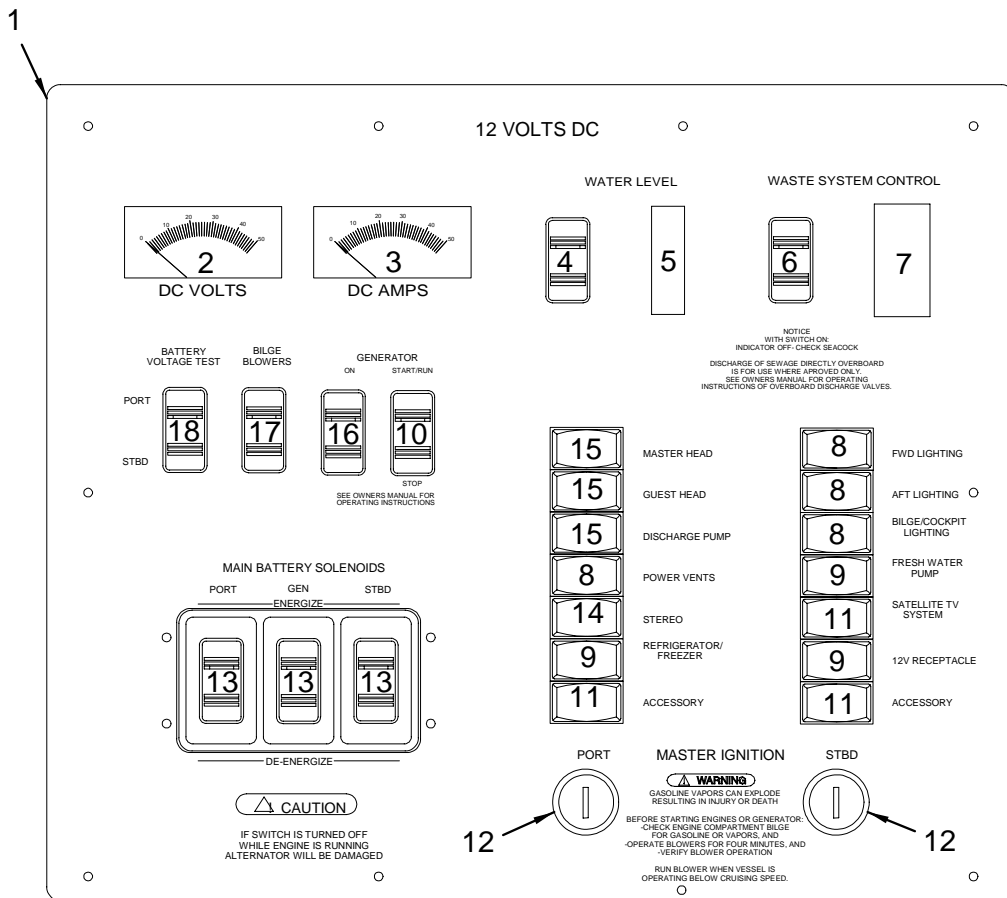
**MAIN DISTRIBUTION PANEL ENCLOSURE**



**MAIN DISTRIBUTION PANEL ENCLOSURE**

- 1 1688683 PANEL, 390MY/390/420DA-04 MAIN DIST ENCL BOX
- 2 896225 BUSS BAR, 14POS-8GA

DC MAIN DISTRIBUTION PANEL 12V WITH GAS GENERATOR



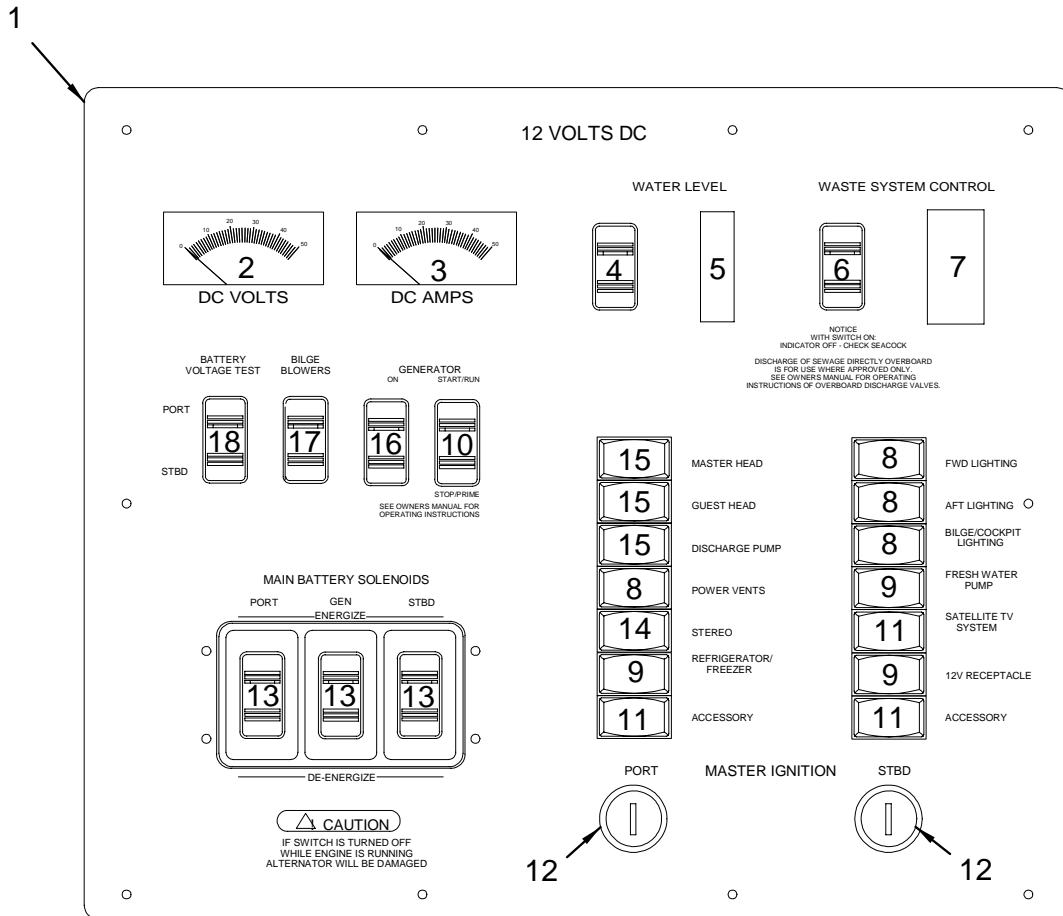
**DC MAIN DISTRIBUTION PANEL 12V WITH GAS GENERATOR**

1	1718951	PANEL, BLANK:390/420DA-04 DC DIST 12V GAS
2	1689919	GAUGE, VOLTMETER DC 8-16 2% ALOG
3	1689918	GAUGE, AMMETER DC 0-50 2% SELF CONTAINEDNT
4	681486	ACTUATOR, ROCK BLK W/O LENS ACCY
	679332	BODY, ROCK SW SPST MOM
5	806901	INDICATOR, WATER LEVEL 12V
	1408525	PANEL, WATER LEVEL INDICATOR LENS COVER
6	681619	ACTUATOR, ROCK BLK W/CLEAR LENS ACCY <b>(MACERATOR W/ SEACOCK INTERLOCK SYSTEM)</b>
	648055	BODY, ROCK SW SPST W/LED 12V <b>(MACERATOR W/ SEACOCK INTERLOCK SYSTEM)</b>
7	893800	PANEL, WASTE LEVEL INDICATOR 12V
	1408517	PANEL, WASTE LEVEL INDICATOR LENS COVER
8	352112	BRKR/ROCK, SGL-POLE AC/DC HORZ 20A RED
9	352062	BRKR/ROCK, SGL-POLE AC/DC HORZ 15A RED
	352112	BRKR/ROCK, SGL-POLE AC/DC HORZ 20A RED <b>(COCKPIT REFRIGERATOR - 120V/60 &amp; 220V/50)</b>
10	679324	ACTUATOR, ROCK BLK W/BLUE LENS ACCY
	758052	BODY, ROCK SW 'V' SPDT MOM-CTR-OFF
11	432872	PLUG, BRKR/ROCK
	1685158	BRKR/ROCK, SGL-POLE C-SERIES DC IGNPRT 10AYL <b>(ENGINE SYNCHRONIZER - GAS ENGINES)</b>
12	1544188	SWITCH, KEY ASHI DENSO
	1666171	KEY, MSTR IGN MDB PNL "3103"
	1666197	KEY, MSTR IGN MDB PNL "3110"
	1666205	KEY, MSTR IGN MDB PNL "3112"
	1666213	KEY, MSTR IGN MDB PNL "3113"
	1666239	KEY, MSTR IGN MDB PNL "3135"
	1666254	KEY, MSTR IGN MDB PNL "3203"
	1666262	KEY, MSTR IGN MDB PNL "3210"
	1666270	KEY, MSTR IGN MDB PNL "3212"
	1666288	KEY, MSTR IGN MDB PNL "3213"
	1666296	KEY, MSTR IGN MDB PNL "3235"
	1738689	SPACER, IGNITION SWITCH (ASAHI DENSO)
13	1260298	ACTUATOR, ROCK BLK W/CLEAR LENS BATT
	1260231	BODY, ROCK SW DPDT (MOM) 12V W/INDEP LED
14	654277	BRKR/ROCK, SGL-POLE AC/DC HORZ 50A RED
15	352013	BRKR/ROCK, SGL-POLE AC/DC HORZ 10A RED
16	679324	ACTUATOR, ROCK BLK W/BLUE LENS ACCY
	681510	BODY, ROCK SW DPST 12V W/INC LAMP
17	681619	ACTUATOR, ROCK BLK W/CLEAR LENS ACCY
	1260256	BODY, ROCK SW SPST (MOM) W/IND LED LAMP 12V
18	681486	ACTUATOR, ROCK BLK W/O LENS ACCY
	719849	BODY, ROCK SW SPDT ON-(MOM ON)

**NOT SHOWN**

	896225	BUSS BAR, 14POS-8GA
	795583	BUSS BAR, SGL POST 5/16"
	706721	FUSE, BLADE TYPE ATC 1A
	1499466	PLUG KIT, DEUTSCH HD10-9-16-P
	1376052	PLUG KIT, DEUTSCH HDP24-24-16-PN
	1398726	PLUG KIT, DEUTSCH HDP24-24-19-PN
	1376060	PLUG KIT, DEUTSCH HDP24-24-23-PN
	1443001	PLUG KIT, DEUTSCH HDP24-24-31-PT
	1408434	PLUG KIT, DEUTSCH S/C 12-14AWG PIN
	1314079	PLUG KIT, DEUTSCH S/C 14-16AWG PIN
	795765	STANDOFF, VOLTMETER LENS STANDOFF 1/4"
	351973	BRKR/ROCK, SGL-POLE AC/DC HORZ 5A RED

DC MAIN DISTRIBUTION PANEL 12V WITH DIESEL GENERATOR



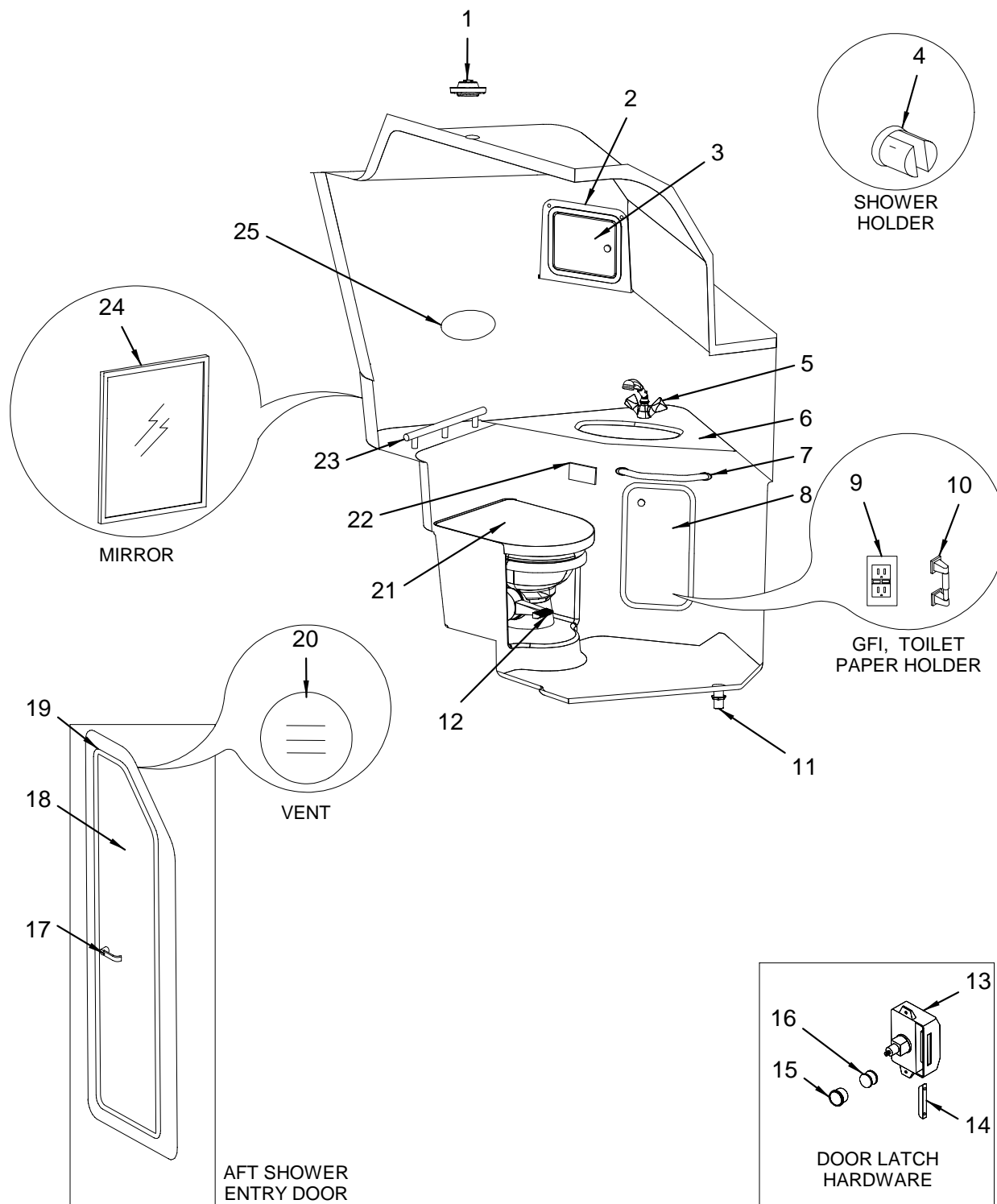
**DC MAIN DISTRIBUTION PANEL 12V WITH DIESEL  
GENERATOR**

1	1718936	PANEL, BLANK:390/420/480-04 DC DIST 12V DSL
2	1689919	GAUGE, VOLTMETER DC 8-16 2% ALOG
3	1689918	GAUGE, AMMETER DC 0-50 2% SELF CONTAINEDNT
4	681486	ACTUATOR, ROCK BLK W/O LENS ACCY
	679332	BODY, ROCK SW SPST MOM
5	806901	INDICATOR, WATER LEVEL 12V
	1408525	PANEL, WATER LEVEL INDICATOR LENS COVER
6	681619	ACTUATOR, ROCK BLK W/CLEAR LENS ACCY <b>(MACERATOR W/ SEACOCK INTERLOCK SYSTEM)</b>
	648055	BODY, ROCK SW SPST W/LED 12V <b>(MACERATOR W/ SEACOCK INTERLOCK SYSTEM)</b>
7	893800	PANEL, WASTE LEVEL INDICATOR 12V
	1408517	PANEL, WASTE LEVEL INDICATOR LENS COVER
8	352112	BRKR/ROCK, SGL-POLE AC/DC HORZ 20A RED
9	352062	BRKR/ROCK, SGL-POLE AC/DC HORZ 15A RED
10	681486	ACTUATOR, ROCK BLK W/O LENS ACCY <b>(TVD-CUMMINS (480CE T-446 PHP) &amp; (6CTA (T-417 PHP) V-DR I/B)</b>
	1719361	BODY, ROCK SW SPDT W/IND LAMP 12V <b>(TVD-CUMMINS (480CE T-446 PHP) &amp; (6CTA (T-417 PHP) V-DR I/B)</b>
11	432872	PLUG, BRKR/ROCK
12	1544188	SWITCH, KEY ASHI DENSO
	1666171	KEY, MSTR IGN MDB PNL "3103"
	1666197	KEY, MSTR IGN MDB PNL "3110"
	1666205	KEY, MSTR IGN MDB PNL "3112"
	1666213	KEY, MSTR IGN MDB PNL "3113"
	1666239	KEY, MSTR IGN MDB PNL "3135"
	1666254	KEY, MSTR IGN MDB PNL "3203"
	1666262	KEY, MSTR IGN MDB PNL "3210"
	1666270	KEY, MSTR IGN MDB PNL "3212"
	1666288	KEY, MSTR IGN MDB PNL "3213"
	1666296	KEY, MSTR IGN MDB PNL "3235"
	1738689	SPACER, IGNITION SWITCH (ASAHI DENSO)
13	1260298	ACTUATOR, ROCK BLK W/CLEAR LENS BATT
	1260231	BODY, ROCK SW DPDT (MOM) 12V W/INDEP LED
14	654277	BRKR/ROCK, SGL-POLE AC/DC HORZ 50A RED
15	352013	BRKR/ROCK, SGL-POLE AC/DC HORZ 10A RED
16	679324	ACTUATOR, ROCK BLK W/BBLUE LENS ACCY
	681510	BODY, ROCK SW DPST 12V W/INC LAMP
17	681619	ACTUATOR, ROCK BLK W/CLEAR LENS ACCY
	1260256	BODY, ROCK SW SPST (MOM) W/IND LED LAMP 12V
18	681486	ACTUATOR, ROCK BLK W/O LENS ACCY
	719849	BODY, ROCK SW SPDT ON-(MOM ON)

**NOT SHOWN**

896225	BUSS BAR, 14POS-8GA
795583	BUSS BAR, SGL POST 5/16"
1499466	PLUG KIT, DEUTSCH HD10-9-16-P
1376052	PLUG KIT, DEUTSCH HDP24-24-16-PN
1398726	PLUG KIT, DEUTSCH HDP24-24-19-PN
1376060	PLUG KIT, DEUTSCH HDP24-24-23-PN
1443001	PLUG KIT, DEUTSCH HDP24-24-31-PT
1408434	PLUG KIT, DEUTSCH S/C 12-14AWG PIN
1314079	PLUG KIT, DEUTSCH S/C 14-16AWG PIN
795765	STANDOFF, VOLTMETER LENS STANDOFF 1/4"
351973	BRKR/ROCK, SGL-POLE AC/DC HORZ 5A RED

AFT HEAD



## AFT HEAD

1	1449073	LIGHT, TWIST-OFF BEZEL GLASS 10W
	1448463	BULB, XENON 12V/10W
	1426774	BULB, XENON 24V/10W
2	1734594	CABINET, HDPE 420DA-03 AFT HD UPR VAN (3PC)
3	1756070	DOOR, STRG W/10"X 11.75" ANTW P/B LATCH 04
4	1740886	MOUNT, HDPE SHOWER WALL (MNT ONLY)
5	1253095	FAUCET/SHOWER, WHT/MIX W/ON/OFF FLX TAIL
	1227032	ADAPTER, SEATECH BRS 1/2"NPT X 3/8"COMP FAUCT
	942466	COMPRESSION FITTING, BRASS 10MM 1/2"MPT
	1307818	FAUCET/SHOWER, CARTRIDGE ONLY
	1307859	FAUCET/SHOWER, HANDLE ONLY (EA)
	1307842	FAUCET/SHOWER, HANDSPRAY ONLY
	1452812	HOSE, WATER 3/8" BRAIDED METAL 14" W/ADAPTER
6	1779826	TOP, KARADON 420DA-05 AFT HEAD VAN LUM GLD
	1779825	TOP, KARADON 420DA-05 AFT HEAD VAN CNDL GLW (CANDLE GLOW - GALLEY / HEAD COUNTER TOPS)
7	1761037	RAIL, GRAB 15" OVAL LOW PRFL 316L
8	1756069	DOOR, STRG W/12.5"X 16" ANTW FRAME 04
9	1787502	RECEPTACLE, GFCI DPLX WHT W/IND LIGHT 15A LVT (HULL#546->UP)
	1757692	RECEPTACLE, GFCI DUPLEX WHT W/INDCT LIGHT 15A (HULL#501->545)
	180463	BOX, RECEPTACLE HANDY DUPLEX METAL
10	146399	HOLDER, TOILET PAPER WALL MNT CHR ROLLER
11	196782	DRAIN ASSY, SHOWER 1.5"
	344762	DRAIN ASSY, SHOWER SLIP NUT 1.5"
12	1744868	HEAD, VACU-FLUSH BONE 1006 BTM DIS WOOD
	1784547	SEAT ASSY, CVR/SEAT/HNG PIN BONE
13	772418	CATCH, RIM-LOCK WHT
14	761445	CATCH, RIM-LOCK STRIKE PLATE
15	1742136	PULL, PUSH-BUTTON KNOB SAT/NCKL
16	762849	LATCH, 6MM X 1" SHAFT EXTENSION
	795773	LATCH, 1/2" SHAFT EXTENSION
17	1751065	LATCH, NOVA LH-OUT PRVKNB SAT/CHR HIDSCR
	891200	PLATE, STRIKER MOBELLA 1.25"WIDE
18	1784812	420DA 05,DOOR,AFTHD CHERRY
	1784813	420DA 05,DOOR,AFTHD MAPLE
	1452820	HOOK, CLOTHES HOOK SURFACE MT
19	1749868	FRAME, 420DA ALUM AFT HEAD DOOR ALMOND
20	126862	VENT, LOUVERED DRAIN/HORN CVR 2.5" SS
21	1775446	COVER, MARS TOILET LID CMPLT ANW 04
22	1741008	COVER PLATE, IDEA-SERIES 1-GANG NKL RONDO
	952010	FRAME, IDEA-SERIES 1-GANG SUPPORT W/RIBS
	1590884	SWITCH, IDEA-SERIES 12VDC HEAD STAT PNL LIGHT SWITCH, WASTE LEVEL
	627737	BOX, RECEPTACLE/SWITCH PVC 1-GANG DEEP
23	1734628	RAIL, GRAB SS 420DA-03 FWD HEAD SHELF RETAINR
24	888982	MIRROR, 1/8"X 18"X 22"
	1745816	TRIM, CORIAN 420DA-03 HEAD MIR PROF 25"BISQ
	154377	SNAP STUD, W/#8 X 5/8" PH SS
	154393	SNAP SOCKET, MED ACTION
25	1057991	TRIM RING, V/F PORTLIGHT INNER CUSTOM 98

## LABELS

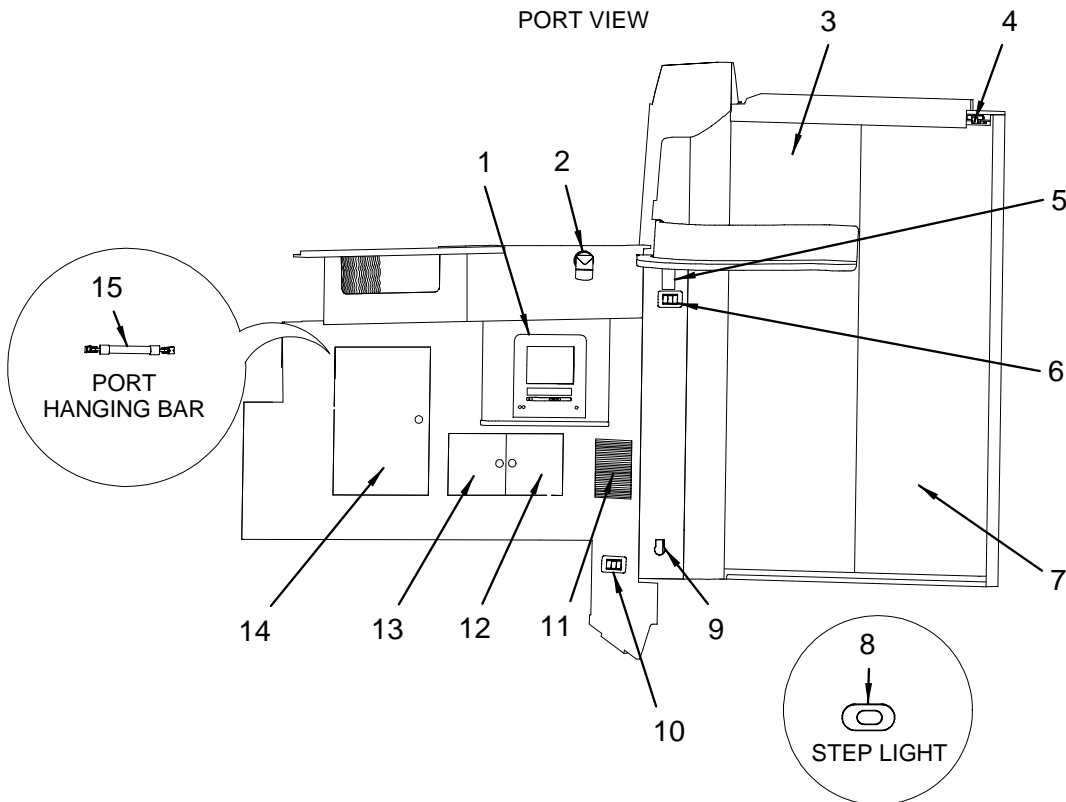
271643	LABEL, HEAD INSTRUCTIONS
1747493	LABEL, LEAVING WINDOW OPEN EXHAUST FUMES

## NOT SHOWN

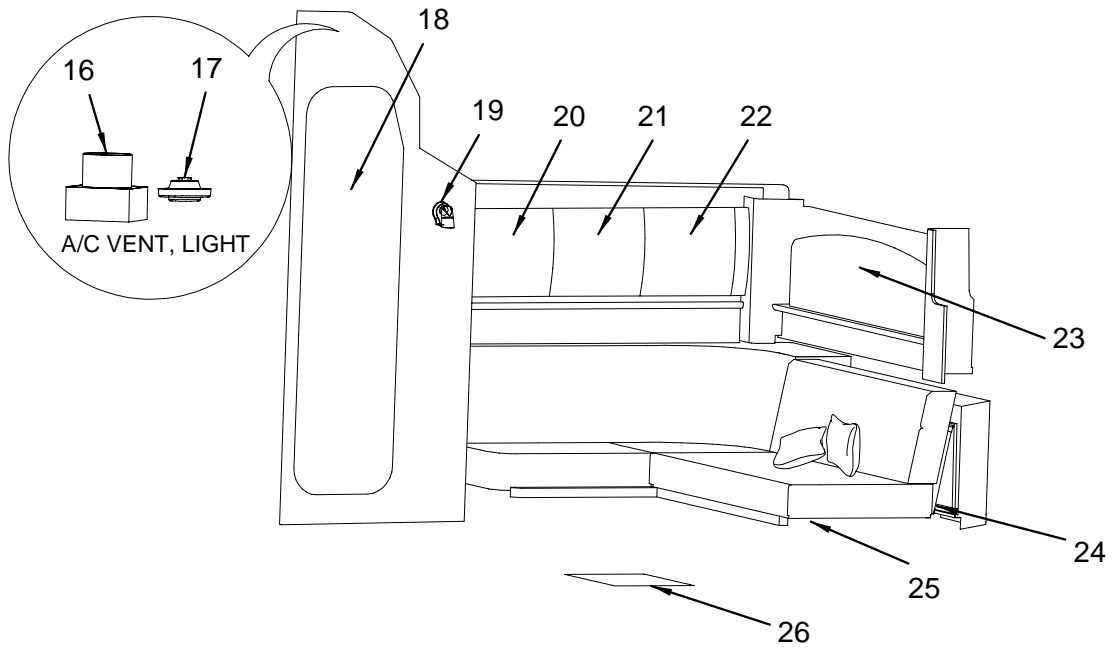
274373	BUMPER, CANOE CLIP MED WHT
512244	BRACKET, ALUM 1/8"X 2"X 6" FLAT
512426	BRACKET, ALUM 1"X 1"X 3"
186221	BRACKET, ALUM 1.5"X 1.5"X 1.5"SUPPORT
186239	BRACKET, ALUM 1.5"X 1.5"X 3"
256727	CLAMP, HOSE #48 1 5/8"-3.5" SS .505
256735	CLAMP, HOSE #64 2 5/8"-4.5" SS .505
256743	CLAMP, HOSE #72 3 1/8"-5" SS .505
188391	CLIP, XMAS TREE
838896	COVER, PLAS HINGE ARM CAP WHT (HULL#501->650)
1737691	CURTAIN, SHOWER BEIGE 420DA-03 AFTHD
1744905	CURTAIN, SHOWER FWD ASSY
1576313	HOSE, P/C VENT/BLOWER 3"X 126"
1745069	SNAP CAP, PRESS-ON COVER #2 PHILLIP BEIGE

MID STATEROOM

PORT VIEW



STARBOARD VIEW

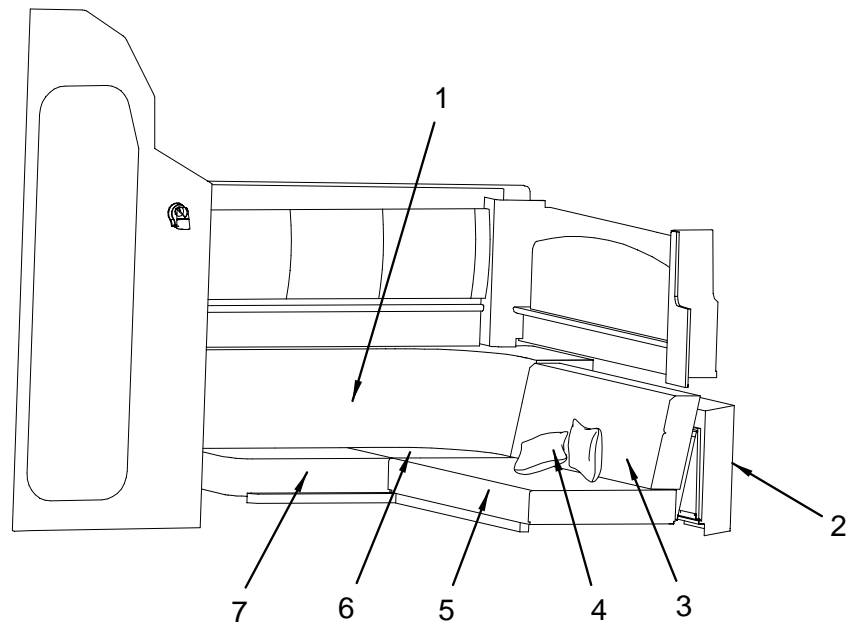




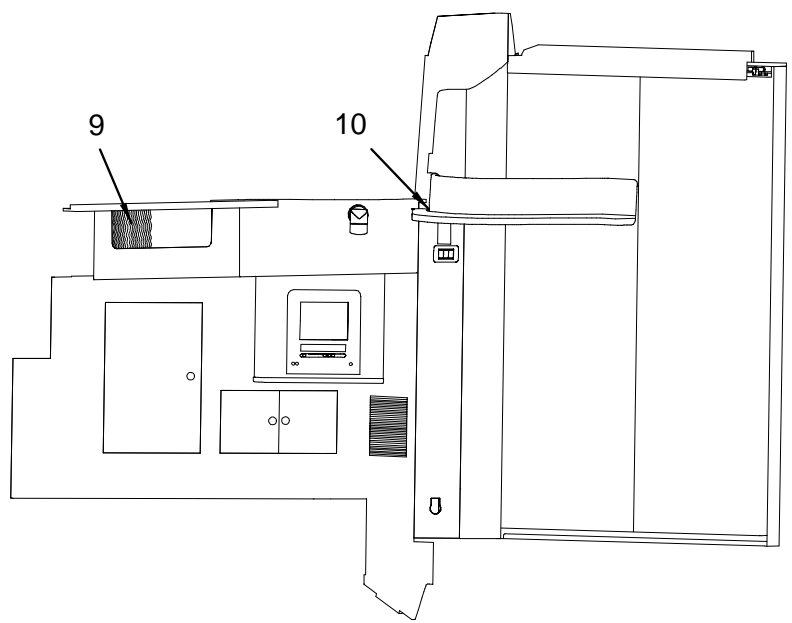
## MID STATEROOM

1	1753056	TELEVISION, 15.1" ZENITH LCD (FLATSCREEN TV/DVD MID-BERTH - 120V/60)	19	1742141	LIGHT, SAMPEI HALOGEN W/SW 12V/10W SAT/NCKL
	1799146	REMOTE, TV 15.1" ZENITH LCD		1448463	BULB, XENON 12V/10W
	1798962	TELEVISION, 15" SHARP LCD LC15SH1E EURO (HULL#623->UP) (REMOTE NOT AVAILABLE AT THIS TIME) (FLATSCREEN TV/DVD MID-BERTH - 220V/50)	20	1784820	420DA 05, DOOR, STRG FWD MIDSTRM CHERRY
	1757868	TELEVISION, 15" SHARP LCD PANEL EURO (HULL#515->622) (FLATSCREEN TV/DVD MID-BERTH - 220V/50)		1784821	420DA 05, DOOR, STRG FWD MIDSTRM MAPLE
	1761365	DVD, CYBERHOME CH-DVD 300 PAL TUNER 120/240V (FLATSCREEN TV/DVD MID-BERTH - 120V/60) (FLATSCREEN TV/DVD MID-BERTH - 220V/50)	21	1784822	420DA 05, DOOR, STRG CTR MIDSTRM CHERRY
	1804866	REMOTE, CYBERHOME DVD/VCR COMBO (FLATSCREEN TV/DVD MID-BERTH - 120V/60) (FLATSCREEN TV/DVD MID-BERTH - 220V/50)		1784823	420DA 05, DOOR, STRG CTR MIDSTRM MAPLE
	1787507	RECEPTACLE, DUPLEX BRN 15A LVT (HULL#565->UP) (FLATSCREEN TV/DVD MID-BERTH - 120V/60) (FLATSCREEN TV/DVD MID-BERTH - 220V/50)	22	1784824	420DA 05, DOOR, STRG AFT MIDSTRM MAPLE
	145094	RECEPTACLE, DUPLEX BRN 15A (HULL#501->564) (FLATSCREEN TV/DVD MID-BERTH - 120V/60) (FLATSCREEN TV/DVD MID-BERTH - 220V/50)		1784825	420DA 05, DOOR, STRG AFT MIDSTRM CHERRY
	192492	CONN, ROME PLAS 1/2" (FLATSCREEN TV/DVD MID-BERTH - 120V/60) (FLATSCREEN TV/DVD MID-BERTH - 220V/50)	23	1736693	MIRROR, 1/8" X 18" X 62" CLR
	180463	BOX, RECEPTACLE HANDY DUPLEX METAL (FLATSCREEN TV/DVD MID-BERTH - 120V/60) (FLATSCREEN TV/DVD MID-BERTH - 220V/50)	24	195479	HINGE, AL CONT FORM/DBL 2.5" X 72" SATIN
	1787508	COVER PLATE, SGL DUPLEX RECEPT BRN LVT (HULL#558->UP)	25	1737714	SLIDE, P/B 420DA-03 MIDSTRM BUNK GUIDE (2PC)
	145078	COVER PLATE, SGL DUPLEX RECEPT BRN (HULL#501->557)	26	1784826	420DA 05, HATCH, FLOOR MIDSTRM
	893289	FRAME, IDEA-SERIES 3-GANG SUPPORT FRAME GREY		1745599	LIFT HANDLE, HATCH LIFT BOLT 1/4" X 4" SHANK
2	1742141	LIGHT, SAMPEI HALOGEN W/SW 12V/10W SAT/NCKL	<b>DOOR/DRAWER HARDWARE</b>		
	1448463	BULB, XENON 12V/10W	1450188	CATCH, GRABBER LATCH W/10LB HOLD WHT (UPPER DOOR)	
3	1784797	420DA 05, DOOR, PKT LEAD MIDSTRM CHERRY	1612464	HINGE, CONCEALED INT OVERLAY S/C 170DEG (UPPER DOOR)	
	1784798	420DA 05, DOOR, PKT LEAD MIDSTRM MAPLE	1742136	PULL, PUSH-BUTTON KNOB SAT/NCKL	
4	641597	GUIDE, TOP PIVOT ROLLER	1742137	PULL, ROSETTE SAT/NCKL OVAL 19MM	
	1755050	LOCK, ASSY SLIDING DOOR BRUSHED CHR	175372	BUMPER, CLEAR SMALL 0.312" ROUND X 0.085" HIGH	
	633776	ROLLER, HANGER TOP MOUNT BRKT (GLIDE MASTER)	525667	HINGE, CONCEALED FULL OVERLAY MT PLATE ONLY	
	633768	ROLLER, POCKET DOOR HANGER (GLIDE MASTER)	761445	CATCH, RIM-LOCK STRIKE PLATE	
	878934	TRACK, 400DA DBL DOOR BYPASSING 6'	762849	LATCH, 6MM X 1" SHAFT EXTENSION	
	1727644	TRACK, SLIDER DOOR LWR 72"	772418	CATCH, RIM-LOCK WHT	
5	1781228	MONITOR, CO DETECTOR WHT CMD-4 (HULL#517->UP)	839399	HINGE, SELF CLOSING BLUM SCREW-ON	
	1782156	PLATE, CO MONITOR BACKING WHT (CMD-4) (HULL#517->UP)	795773	LATCH, 1/2" SHAFT EXTENSION	
	965707	MONITOR, CO DETECTOR WHT (HULL#501->516)	<b>LABELS</b>		
	1189687	PLATE, CO MONITOR BACKING WHT (HULL#501->516)	1743510	LABEL, 7/16" X 7/8" HEAD	
6	1741009	COVER PLATE, IDEA-SERIES 2OR3-GANG NKL RONDO	1743508	LABEL, 7/16" X 7/8" STATEROOM	
	893289	FRAME, IDEA-SERIES 3-GANG SUPPORT FRAME GREY	<b>NOT SHOWN</b>		
	893230	SWITCH, IDEA-SERIES SPST GREY	1192202	A/C COMP, TRANS RING 4" WHT	
	627737	BOX, RECEPTACLE/SWITCH PVC 1-GANG DEEP	512244	BRACKET, ALUM 1/8" X 2" X 6" FLAT	
7	1784799	420DA 05, DOOR, PKT FOLLOW MIDSTRM CHERRY	512426	BRACKET, ALUM 1" X 1" X 3"	
	1784800	420DA 05, DOOR, PKT FOLLOW MIDSTRM MAPLE	186221	BRACKET, ALUM 1.5" X 1.5" X 1.5" SUPPORT	
8	1796195	LIGHT, WHT LED STORM/L SAT/NCKL 12VDC (HULL#623->UP) (BULB NOT SOLD SEPARATELY)	186239	BRACKET, ALUM 1.5" X 1.5" X 3"	
	1742143	LIGHT, STEP LED STORM 12V SAT/NCKL (HULL#501->622)	256727	CLAMP, HOSE #48 1 5/8"-3.5" SS .505	
	1642438	BULB, REPL FOR LED STORM 12V (1624766)	256735	CLAMP, HOSE #64 2 5/8"-4.5" SS .505	
9	770370	VACUUM, WALL MTG BRKT/ADAPTER	256743	CLAMP, HOSE #72 3 1/8"-5" SS .505	
10	1741009	COVER PLATE, IDEA-SERIES 2OR3-GANG NKL RONDO	188391	CLIP, XMAS TREE	
	893289	FRAME, IDEA-SERIES 3-GANG SUPPORT FRAME GREY	864306	CONN, COAX 'F' TWIST-ON	
	893222	RECEPTACLE, IDEA-SERIES SGL GRY	838896	COVER, PLAS HINGE ARM CAP WHT (HULL#501->650)	
	893263	SWITCH, BLANK IDEA-SERIES GREY			
	627737	BOX, RECEPTACLE/SWITCH PVC 1-GANG DEEP			
11	989921	A/C COMP, GRILL 12X10 CLW W/FILTER			
12	1784814	420DA 05, DOOR, STRG PRT FWD MIDSTRM CHERRY			
	1784815	420DA 05, DOOR, STRG PRT FWD MIDSTRM MAPLE			
13	1784816	420DA 05, DOOR, STRG PRT AFT MIDSTRM CHERRY			
	1784817	420DA 05, DOOR, STRG PRT AFT MIDSTRM MAPLE			
14	1784818	420DA 05, DOOR, H/L MIDSTRM CHERRY			
	1784819	420DA 05, DOOR, H/L MIDSTRM MAPLE			
15	1736622	BAR, HANGING ROD (CLOTHES) ALUM 8.0"			
16	995696	A/C COMP, GRILL 4X4 ARW			
17	1742138	LIGHT, DAVID-EYEBALL SAT/NCKL RING/FRST LENS			
	947796	BULB, REPL FOR TEBE/CHARLY BOY/SAMPEI/DAVID			
18	1784812	420DA 05, DOOR, AFTHD CHERRY			
	1784813	420DA 05, DOOR, AFTHD MAPLE			

MID STATEROOM (UPHOLSTERY)



8 →



**MID STATEROOM (UPHOLSTERY)**

- 1 1784827 420DA 05,B/R,MIDSTRM
- 1784828 420DA 05,B/R SKN,MIDSTRM
- 1736997 FOAM, P/C 420DA-03 MIDSTRM BSKRST
- 2 1784829 420DA 05,CUSH,FILR SLIDER SOFA MIDSTRM
- 1784830 420DA 05,CUSH SKN,FILR SLIDER SOFA MIDSTRM
- 1736993 FOAM, P/C 420DA-03 MIDSTRM BUNK SLIDER FILR
- 3 1784831 420DA 05,B/R,SLIDER SOFA AFT MIDSTRM
- 1784832 420DA 05,B/R SKN,SLIDER SOFA AFT MIDSTRM
- 1736992 FOAM, P/C 420DA-03 MIDSTRM SLIDER BCKRST FILR
- 4 1774227 PILLOW PKG, 2005 SPYT PKGA MID/GST (2) NEUTRL
- 1774232 PILLOW PKG, 2005 SPYACHT PKGB MID/GSTRM (2)
- 1774241 PILLOW PKG, 2005 SPYACHT PKGC MID/GSTRM (2)
- 1774263 PILLOW PKG, 2005 SPYACHT PKGD MID/GSTRM (2)
- 5 1784833 420DA 05,CUSH,SLIDER SOFA AFT MIDSTRM
- 1784834 420DA 05,CUSH SKN,SLIDER SOFA AFT MIDSTRM
- 1736996 FOAM, P/C 420DA-03 MIDSTRM BUNK SLIDER CUSH
- 132183 TRACK, ALUM CURT TRK 0.275"X 0.688" TAB TYPE
- 1737714 SLIDE, P/B 420DA-03 MIDSTRM BUNK GUIDE (2PC)
- 6 1784835 420DA 05,CUSH,SOFA AFT MIDSTRM
- 1784836 420DA 05,CUSH SKN,SOFA AFT MIDSTRM
- 1736995 FOAM, P/C 420DA-03 MIDSTRM AFT CUSH
- 7 1784837 420DA 05,CUSH,SOFA FWD MIDSTRM
- 1784838 420DA 05,CUSH SKN,SOFA FWD MIDSTRM
- 1736994 FOAM, P/C 420DA-03 MIDSTRM FWD CUSH
- 8 1467182 CARPET, INT 44 OZ WHEATON 6'W 100% BCF NYLON  
(INTERIOR A, B, D)
- 1467166 CARPET, INT 44 OZ SNOW 6'W 100% BCF NYLON  
(INTERIOR C)
- 9 1784866 CURTAIN, 420DA-05 PKGA-NYSE MIDSTRM
- 1784867 CURTAIN, 420DA-05 PKGB-MARAV SAFFRON MIDSTRM
- 1784868 CURTAIN, 420DA-05 PKGC-COLTRANE TAUPE MIDSTRM
- 1784869 CURTAIN, 420DA-05 PKGD-BROADCST CEDAR MIDSTRM
- 10 1784839 420DA 05,MUFF,MIDSTRM CEILING ENTRY
- 1736990 FOAM, P/C 420DA-03 MIDSTRM CEILING ENTRY MUFF

**CARPET RUNNER**

- 1180025 CANVAS, SUNBRELLA TOAST TWEED 60"

**CURTAIN SET COMPLETE**

- 1771974 CURTAIN, 420DA-05 PKGA-NYSE
- 1771988 CURTAIN, 420DA-05 PKGB-MARVELOUS SAFFRON
- 1771997 CURTAIN, 420DA-05 PKGC-COLTRANE TAUPE
- 1772006 CURTAIN, 420DA-05 PKGD-BROADCAST CEDAR

**HEADLINER/HULL LINER/WASHABLE SURFACE**

- 1079797 VINYL, ALLANTE II CHAMPAGNE EXP FLAT  
(INTERIOR A, B, D)
- 892075 VINYL, ALLANTE II SEA OYSTER EXP FLAT  
(INTERIOR C)
- 1091743 VINYL, ALLANTE II CHAMPAGNE EXP 1/4"F/B DOW  
(INTERIOR A, B, D)
- 986810 VINYL, ALLANTE II SEA OYSTER EXP 1/4"F/B DOW  
(INTERIOR C)

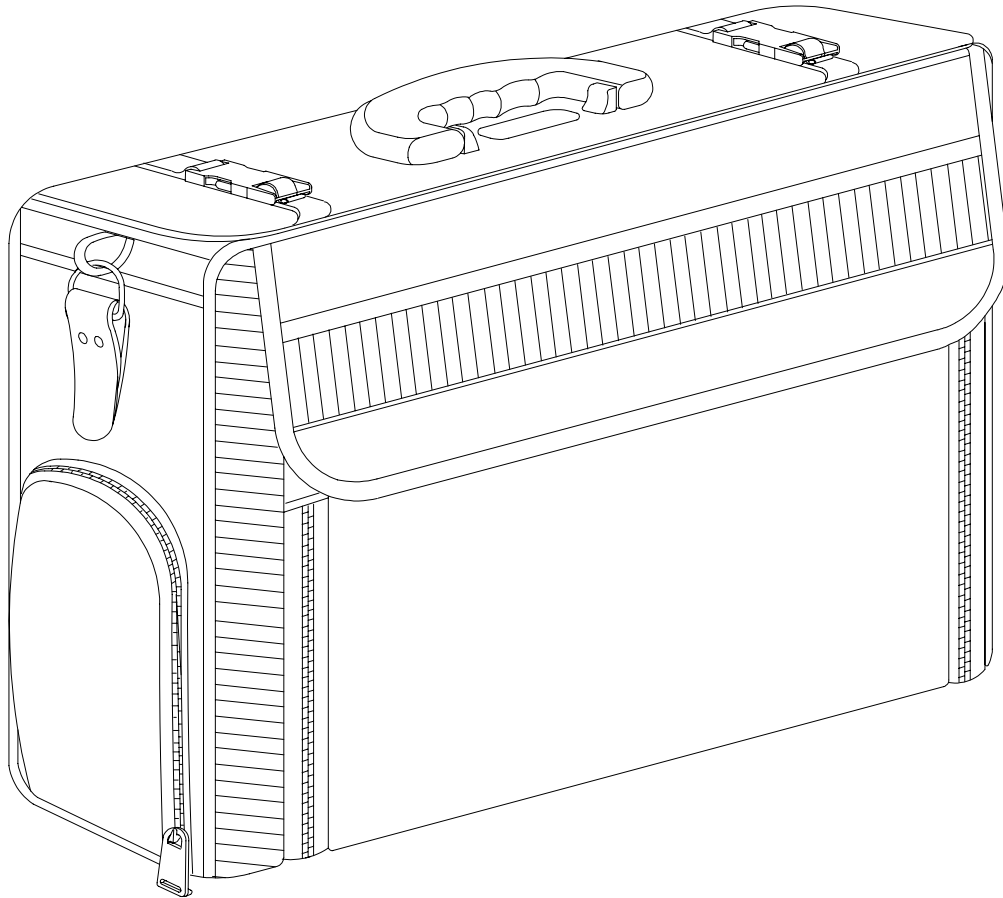
**SOFA**

- 1228352 FABRIC, ULTRALEATHER MILKWEED #3455

**NOT SHOWN**

- 590596 BINDING, VINYL 7/8" WHITE BIAS
- 1740880 FOAM, P/C 420DA-03 MIDSTRM KIT
- 1039007 VELCRO, HOOK WHT 2" (SEW ON)
- 1079805 VINYL, SLIT 3" ALLANTE II CHAMPAGNE EXP FLAT  
(INTERIOR A, B, D)
- 933820 VINYL, SLIT 3" ALLANTE II SEA OYSTER EXP FLAT  
(INTERIOR C)

MULTI-INFO PACKET



## MULTI-INFO PACKET

## MULTI-INFO PACKET

1774213 PACKET, MULTI-INFO 420DA-05

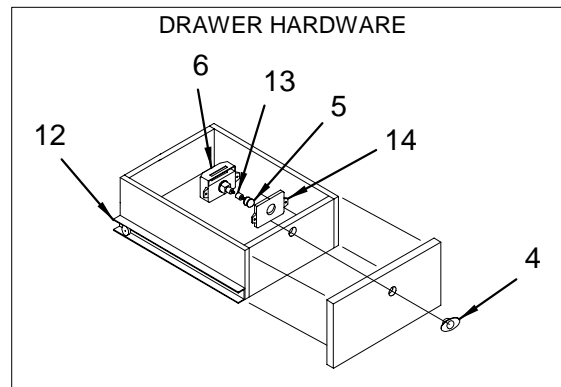
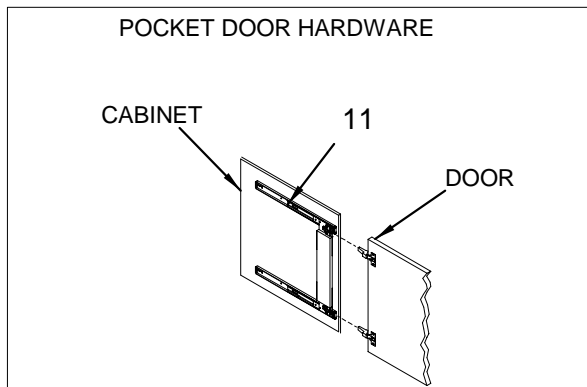
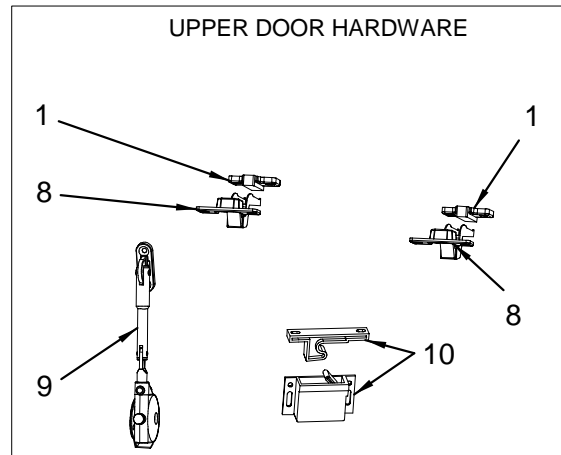
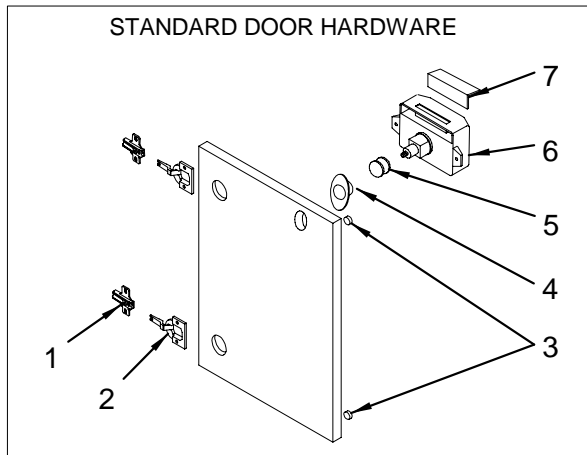
## OWNERS PACKET CONTENTS

1773972 MANUAL, OWNERS W/SUPPLMNT 420DA-05 9-TAB BOOK  
 1774201 CARD, WARRANTY - SPRT CRSR/SPRT YCHT/YCHT 05  
 1751564 CARD, CANVAS CARE & CLEANING SEA RAY  
 1774950 CHECK LIST, IN SERVICE - SP YACHTS 05  
 1507912 CARD, PASSPORT TO SAVINGS  
 1764423 BROCHURE, CARBON MONOXIDE AWARENESS  
 1507938 CARD, TALOR WINDSHIELD/GLASS CARE  
 1411404 ENVELOPE, DEALER INFORMATION  
 833749 FUSE BOX, SPARE W/6 ATC BLADE STYLE  
 140061 PLUG, DRAIN PLUG SNAPTITE 1/2"  
 764316 DOCUMENT, CANVAS LTD WARRANTY  
 1789923 VIDEO, 05 OWNER ORIENTATION SPYCHT/YCHT DVD  
 1526276 HARNESS, ACCY HATCH LIFT PIGTAIL MODIFIED  
 1751553 BOOKLET, COAST GUARD FEDERAL REQUIREMENT  
 1751550 CARD, CANVAS CARE & CLEANING MORBERN  
 1751623 CARD, MORBERN MELLOTECH MR/FR  
 1751555 BOOKLET, 3M MAINTENANCE INSTRUCTION  
 1751559 CARD, CANVAS CARE & CLEANING SUNBRELLA  
 1751562 CARD, WARRANTY SUNBRELLA LIMITED  
 1751563 BOOKLET, STA-BIL FUEL STABILIZER  
 1751624 BOOKLET, CARE & CLEANING ULTRALEATHER

## OWNERS PACKET SUPPLIED BY PLANT

1091727 PACKET, OWNERS BRIEFCASE CANVAS BLK (STEBCO)  
 1757378 MANUAL, OWNERS SRN2 SOFTWARE-DATA-NOTEBOOK KB  
 (SEA RAY NAVIGATOR II 12.1)  
 1760320 NAVIGATOR, SR MDL SRNII 1ST YEAR SERVICE  
 (SATELLITE INTERFACE FOR SEA RAY NAV II)  
 1766115 PACKET, SIRIUS WELCOME KIT  
 (SIRIUS SATELLITE RADIO)  
 1773328 DECAL, SIRIUS ACTIVATION ORNG/BLUE  
 (SIRIUS SATELLITE RADIO)  
 434191 CARD, NAVIGATIONAL INTERNATIONAL  
 (EXPORT PACKING - INTERNATIONAL)  
 800565 BOOKLET, BOATER'S GUIDE TO AC ELECTRICAL SYST  
 907808 CARD, WARRANTY DOUGLASS BATT ORIG EQUIP LTD  
 1750454 DECAL, SEA RAY OWNERS CLUB (NBOA) RV  
 522599 KEY, DECK PLATE CAP  
 184424 KEY RING, PLASTIC BUOY RED  
 (WATER DELIVERY - SAFETY PACKAGE AND FUEL)  
 187245 LABEL, BOATMAN'S CHECK LIST  
 1741234 LABEL, STICKER 420DA CANADIAN CONFORMITY  
 (CANADIAN CONFORMITY STICKER)  
 1691479 MANUAL, OWNERS - SEA RAY INT'L 12-LANGUAGE  
 (EXPORT PACKING - INTERNATIONAL)  
 186957 MILDEW DISC, 2.5 OZ.  
 1781228 MONITOR, CO DETECTOR WHT CMD-4  
 (HULL#517->UP)  
 1782156 PLATE, CO MONITOR BACKING WHT (CMD-4)  
 (HULL#517->UP)  
 965707 MONITOR, CO DETECTOR WHT  
 (HULL#501->516)  
 187211 TAG, PLAIN GREEN  
 187237 TAG, WARNING ANTI-FREEZE  
 (WATER DELIVERY - SAFETY PACKAGE AND FUEL)  
 187179 TAG, WARNING RED  
 590778 TAG, WARNING SHIP BOAT WATER READY  
 (SHIP WATER READY)  
 968370 VIDEO, 97 OWNER ORIENTATION SPYCHT/YCHT PAL  
 (OWNER ORIENTATION VIDEO - PAL FORMAT)  
 1754053 VIDEO, 420DA DVD

**TYPICAL DRAWER/DOOR HARDWARE**



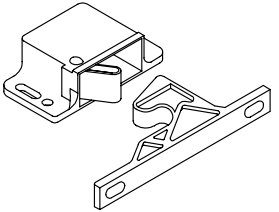
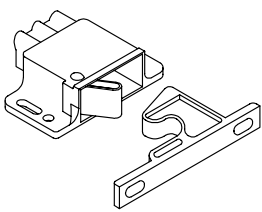
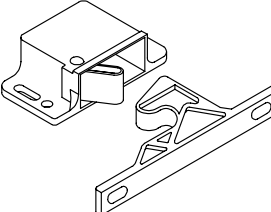
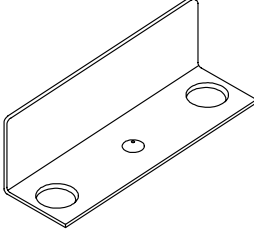
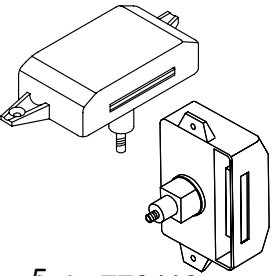
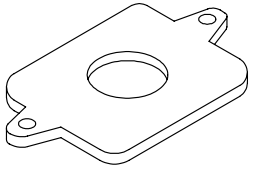
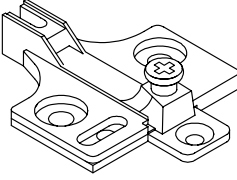
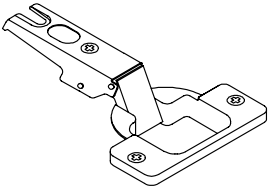
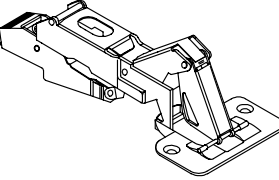
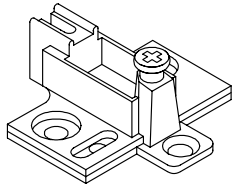
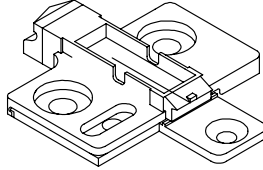
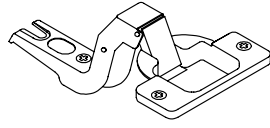
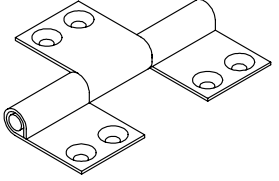
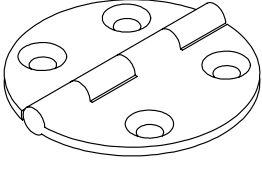
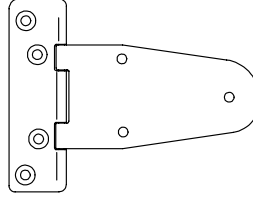
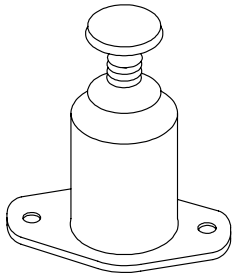
**TYPICAL DRAWER/DOOR HARDWARE**

- 1 525667 HINGE, CONCEALED FULL OVERLAY MT PLATE ONLY
- 1381201 HINGE, CONCEALED MT PLATE ONLY BLUM
- 1628247 HINGE, CONCEALED MT PLATE OMM #175-7100
- 2 521526 HINGE, CONCEALED FULL OVERLAY W/100 DEG ANGLE
- 839399 HINGE, SELF CLOSING BLUM SCREW-ON
- 3 1746444 BUMPER, CLEAR ACRY ADHESIVE
- 175208 BUMPER, WHT SMALL ROUND
- 175372 BUMPER, CLEAR SMALL 0.312"ROUND X 0.085"HIGH
- 4 1742137 PULL, ROSETTE SAT/NCKL OVAL 19MM
- 5 1742136 PULL, PUSH-BUTTON KNOB SAT/NCKL
- 6 772418 CATCH, RIM-LOCK WHT
- 7 761445 CATCH, RIM-LOCK STRIKE PLATE
- 8 1612464 HINGE, CONCEALED INT OVERLAY S/C 170DEG
- 9 1687312 STAY, ROD LCKR DOOR SUPPORT LH
- 1687313 STAY, ROD LCKR DOOR SUPPORT RH
- 10 390849 CATCH, GRABBER LATCH W/10LB HOLD BLK PLAS
- 1281054 CATCH, GRABBER LATCH W/10LB HOLD W/ELEC SW
- 1450188 CATCH, GRABBER LATCH W/10LB HOLD WHT
- 11 898569 SLIDE ASSY, PIVOT DOOR 12" (KNAPP/VOGT)
- 12 1547215 SLIDE ASSY, DRAWER SLIDE 12" ACCURIDE
- 1451541 SLIDE ASSY, DRAWER SLIDE 14" ACCURIDE
- 1547256 SLIDE ASSY, DRAWER SLIDE 16" ACCURIDE
- 1755598 SLIDE ASSY, DRAWER SLIDE 16" HETTICH
- (HULL#501->514)
- 1271063 DRAWER SLIDE, METAL 20" HVY DTY/FULL EXT

- 12 1311695 DRAWER SLIDE, METAL 30" HVY DTY/FULL EXT
- 13 762849 LATCH, 6MM X 1" SHAFT EXTENSION
- 795773 LATCH, 1/2" SHAFT EXTENSION
- 14 1132380 CATCH, RIM-LOCK WHT (SHIM ONLY)

MERRITT ISLAND HARDWARE

# 2005 MERRITT ISLAND PLANT HARDWARE

<p>BLACK 10LB</p>  <p>1 → 390849</p>	<p>BLACK 10LB</p>  <p>2 → 1281054</p>	<p>WHITE 10LB</p>  <p>3 → 1450188</p>	 <p>4 → 761445</p>
<p>WHITE</p>  <p>5 → 772418</p>	 <p>6 → 1132380</p>	 <p>7 → 525667</p>	 <p>8 → 521526</p>
 <p>9 → 1612464</p>	 <p>10 → 1381201</p>	 <p>11 → 1628247</p>	 <p>12 → 839399</p>
 <p>13 → 1111640</p>	 <p>14 → 1338821</p>	 <p>15 → 1683753</p>	 <p>16 → 1756646</p>

MERRITT ISLAND HARDWARE

- 1 390849 CATCH, GRABBER LATCH W/10LB HOLD BLK PLAS
- 2 1281054 CATCH, GRABBER LATCH W/10LB HOLD W/ELEC SW
- 3 1450188 CATCH, GRABBER LATCH W/10LB HOLD WHT
- 4 761445 CATCH, RIM-LOCK STRIKE PLATE
- 5 772418 CATCH, RIM-LOCK WHT
- 6 1132380 CATCH, RIM-LOCK WHT (SHIM ONLY)
- 7 525667 HINGE, CONCEALED FULL OVERLAY MT PLATE ONLY
- 8 521526 HINGE, CONCEALED FULL OVERLAY W/100 DEG ANGLE
- 9 1612464 HINGE, CONCEALED INT OVERLAY S/C 170DEG
- 10 1381201 HINGE, CONCEALED MT PLATE ONLY BLUM
- 11 1628247 HINGE, CONCEALED MT PLATE OMM #175-7100
- 12 839399 HINGE, SELF CLOSING BLUM SCREW-ON
- 13 1111640 HINGE, SS NON-MORTICE TYPE-2 DOOR
- 14 1338821 HINGE, SS STRAP 2.56" X 2.56" X 1/4"
- 15 1683753 HINGE, SS 320DA-02 CKPT HATCH
- 16 1756646 LATCH, DRAWER FLEXA-TOUCH 04  
(HULL#501->506)



MERRITT ISLAND HARDWARE (CONTINUED 1)

## 2005 MERRITT ISLAND PLANT HARDWARE

<p>STAINLESS STEEL</p> <p>1 → 1411453</p>	<p>STAINLESS STEEL</p> <p>2 → 1480813</p>	<p>3 → 1756065</p>	<p>LH OUT SATIN/CHR</p> <p>4 → 1751065</p>
<p>RH OUT SATIN/CHR</p> <p>5 → 1751064</p>	<p>6 → 1740313</p>	<p>1/2"</p> <p>7 → 795773</p>	<p>8 → 762849</p>
<p>4" SHANK</p> <p>9 → 174599</p>	<p>10 → 891200</p>	<p>CHROME</p> <p>11 → 1437219</p>	<p>NICKLE/MATT</p> <p>12 → 1753547</p>
<p>SATIN</p> <p>13 → 1742136</p>	<p>19MM SATIN/NKL OVAL</p> <p>14 → 1742137</p>	<p>4" BLACK</p> <p>15 → 1748279</p>	<p>3" X 1 1/2" X 3/4" BLACK</p> <p>16 → 1772731</p>

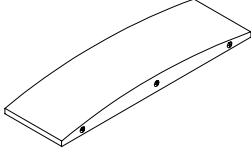
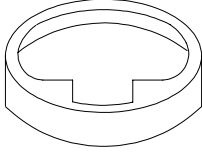
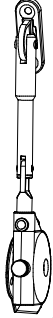
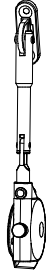
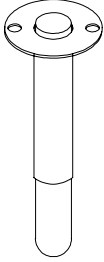
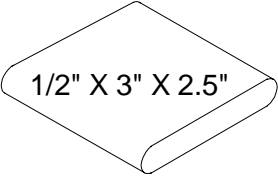
---

**MERRITT ISLAND HARDWARE (CONTINUED 1)**

1 1411453 LATCH, FLUSH MOUNT PULL SS (SLAM)  
2 1480813 LATCH, FLUSH MOUNT ROUND T-HNDL SS W/PAWL  
3 1756065 LATCH, M/S SUNDECKER NORTH W/EYELET  
(HULL#501->506)  
4 1751065 LATCH, NOVA LH-OUT PRVKNB SAT/CHR HIDSCR  
5 1751064 LATCH, NOVA RH-OUT PRVKNB SAT/CHR HIDSCR  
6 1740313 LATCH, SS 420DA-03 GLY FWD LWR ROLL-OUT CAB  
7 795773 LATCH, 1/2" SHAFT EXTENSION  
8 762849 LATCH, 6MM X 1" SHAFT EXTENSION  
9 174599 LIFT HANDLE, HATCH LIFT BOLT 1/4"X 4" SHANK  
10 891200 PLATE, STRIKER MOBELLA 1.25"WIDE  
11 1437219 PULL, DOOR FLUSH MIRROR CHR  
12 1753547 PULL, DOOR HANDLE NICKLE/MATT  
13 1742136 PULL, PUSH-BUTTON KNOB SAT/NCKL  
14 1742137 PULL, ROSETTE SAT/NCKL OVAL 19MM  
15 1748279 SHIM, HDPE GLY CUTTING BRD 4" BLK  
16 1772731 SHIM, HDPE 390DA-04 HEAD DOOR LATCH

MERRITT ISLAND HARDWARE (CONTINUED 2)

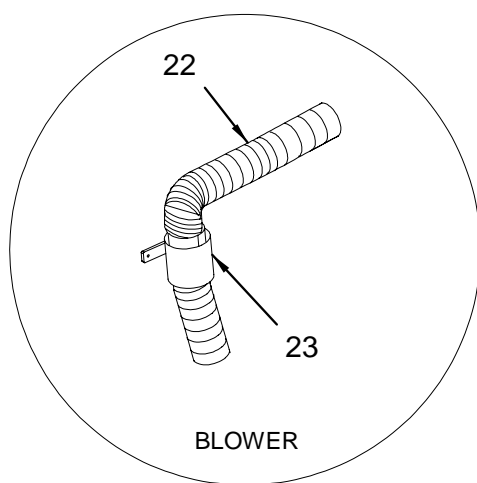
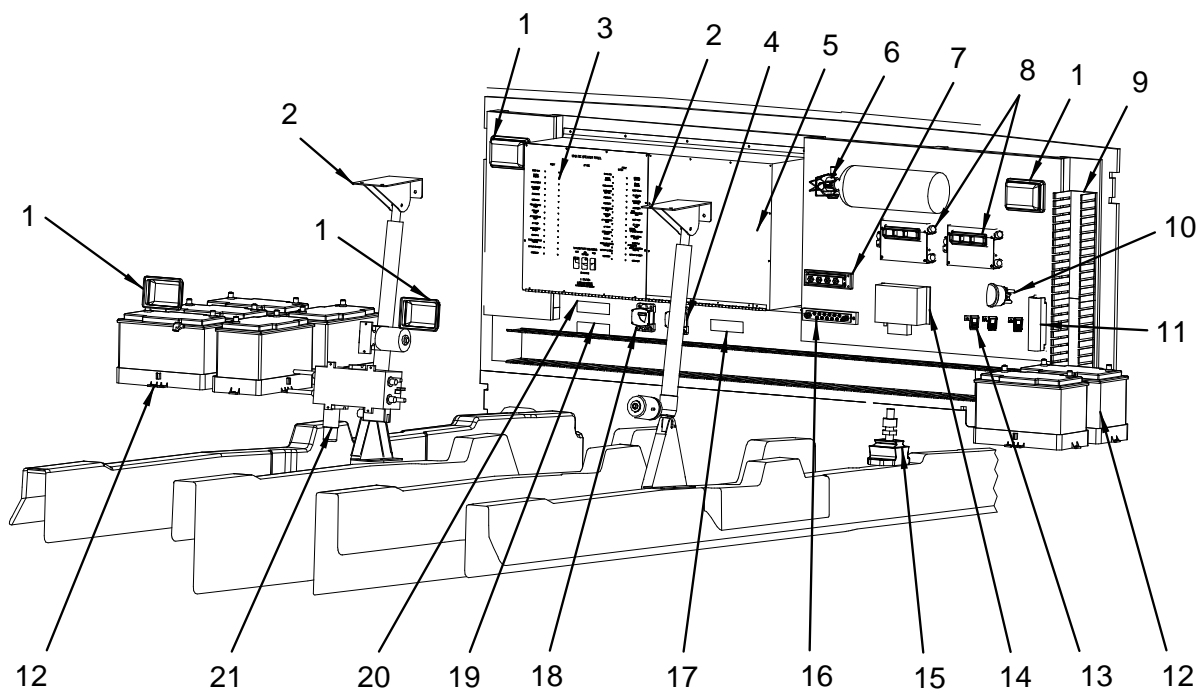
## 2005 MERRITT ISLAND PLANT HARDWARE

<p>10" X 3" BLACK</p>  <p>1 → 1737724</p>	<p>BLACK 9MM</p>  <p>2 → 1418078</p>	 <p>3 → 1687312</p>	 <p>4 → 1687313</p>
 <p>5 → 1322213</p>	<p>1/2" X 3" X 2.5"</p>  <p>6 → 773036</p>		

MERRITT ISLAND HARDWARE (CONTINUED 2)

- 1 1737724 SHIM, HDPE 420DA-03 FWDHD TOILT PAPER HLDR
- 2 1418078 SHIM, RUBBER 9MM SS LATCH
- 3 1687312 STAY, ROD LCKR DOOR SUPPORT LH
- 4 1687313 STAY, ROD LCKR DOOR SUPPORT RH
- 5 1322213 STOP, DOOR RELEASE
- 6 773036 STOP, HDPE GALLEY DISH 1/2"X 3"X 2.5"  
(HULL#501->509)

**BILGE (ELECTRICAL)**



**BILGE (ELECTRICAL)**

1	822668	LIGHT, SGL DOME FLUSH MT PLAS WHT W/O SWITCH BULB, DOME LIGHT 12V
2	1734692	BRACKET, 420DA-03 HATCH LIFT LWR
	1734884	BRACKET, 420DA-03 HATCH LIFT UPR W/PIN
	1766064	ACTUATOR, ELEC HATCH LIFT 18"12V INLIN QUIETR
3	1792018	PANEL, BLANK:420/500DA/480MY MAIN DC BRKR RV1 (HULL#670->UP)
	1718585	PANEL, BLANK:420DA/500DA/480MY MAIN DC BRKR (HULL#501->669)
4	1185099	BRKR, SURF MNT THERMAL 100AMP MANUAL RESET
5	1504851	PANEL, 420/500DA/480MY-03 MAIN DC BRKR ACCESS (TVD-CUMMINS 480CE (T-446 PHP) & (6CTA (T-417 PHP) V-DR I/B)
6	1763559	HALON SYS, REVERSE GAUGE/SWITCH AUTO 500CF
	598128	HALON CABLE, MANUAL PULL CABLE 13'
	1266790	FIRE EXT SYS, FM200 500CF GAS/DSL-MAN/AUTO (C E OPTION GROUP)
	598169	HALON CABLE, MANUAL PULL CABLE 18' (C E OPTION GROUP)
7	1013622	BUSS BAR, POWER BAR DC 4-POSITION STUD
8	1507326	ACC PART, MERC S-CRFT JUNC BOX 4-WAY
9	1051705	COVER, PLAS DUCT WIRING 4"X 6' WHT
	1248335	COVER BASE, PLAS DUCT WIRING 4"X 4"X 6' WHT
10	980227	SOLENOID, MAGNET LATCHING 24V 200A/1200A (BOW THRUSTER)
11	987446	FUSE BLOCK, BLADE TYPE ANL350/500 (BOW THRUSTER)
12	877811	BATTERY, GROUP 27 DOUGLAS
	1186337	BATTERY, GROUP 31 DEEP CYCLE (BOW THRUSTER)
	1793181	LABEL, BATTERY PLACEMENT 420DA W/BOWTHRUSTER (BOW THRUSTER)
	130435	HOLDER, BATTERY GR27 BLK NYLON W/SS
	802124	BRACKET, ALUM BATT HLDWN 1/2"X1/2"X16" SOLID
	650499	BOOT, BATTERY CABLE 4/0 RED 11/16"
	650507	BOOT, BATTERY CABLE 4/0 BLK 11/16"
	1687656	BOOT, BATTERY CABLE 4/0 RED 11/16" T-LUG
	1687657	BOOT, BATTERY CABLE 4/0 BLK 11/16" T-LUG
	1751179	BOOT, BATTERY THREADED STUD COVER RED #458
	140509	BOOT, ENG STARTER RED
	130799	CABLE, BATT BLK #2AWG
	130781	CABLE, BATT RED #2AWG
	130807	CABLE, BATT BLK #2/0AWG
	184051	CABLE, BATT RED #2/0AWG
	136044	CABLE, BATT BLK #4/0AWG
	136051	CABLE, BATT RED #4/0AWG
13	1741125	FUSE HOLDER, BLADE TYPE ACCY 7.5A (BOW THRUSTER)
14	984682	MODULE, SYS MON INTERFACE (LCD)
15	1717175	ENGINE MT, 420DA-03 GAS INBD PED
16	1138957	BUSS BAR, 12-GANG 2SGL POST 5/16" STUD 250AMP
17	1751633	LABEL, WINDLASS 1.5"X 1/4"
18	1185081	BRKR, SURF MNT THERMAL 50AMP MANUAL RESET
19	1109248	LABEL, CONVERTER 1/4"X 1.5"
20	1744743	LABEL, 2"X 1/2" GENERATOR
21	485359	SENDING UNIT, ENG SYNC MODULE (CUMMINS) (TVD-CUMMINS 6CTA (T-417 PHP) V-DR.INBOARDS)
22	1499359	HOSE, P/C VENT/BLOWER 4"X 78" EX HVY DTY
	1499383	HOSE, P/C VENT/BLOWER 4"X 126" EX HVY DTY
23	1587104	BLOWER, BILGE 4" #240M W/O CONN

**HARNESSES**

1507268	HARNESSES, MERC DATA S-CRFT 1000-1RSL-20' (TVD-CUMMINS 480CE (T-446 PHP) V-DR.INBOARDS)
1689718	HARNESSES, MERC S-CRFT STEER EXT
1610427	HARNESSES, MERC S-CRFT STEERING SNSR ASSY
1689719	HARNESSES, MERC S-CRFT STEER/PITOT (HULL#501->554)
1737180	HARNESSES, 420DA-03 ENG GAS W/S-CRFT
1737661	HARNESSES, 420DA-03 ENG DSL CUM 6CTA 8.3M (TVD-CUMMINS 6CTA (T-417 PHP) V-DR.INBOARDS)
1737663	HARNESSES, 420DA-03 ENG CUM 480C-E (TVD-CUMMINS 480CE (T-446 PHP) V-DR.INBOARDS)

**HEAT SHRINK**

1429174	HEAT SHRINK, TUBING BLK 3/4"X 4"
1429190	HEAT SHRINK, TUBING BLK 1"X 4"
1429182	HEAT SHRINK, TUBING RED 3/4"X 4"
1429208	HEAT SHRINK, TUBING RED 1"X 4"
1427145	HEAT SHRINK, TUBING GRN 1.0"
1444017	HEAT SHRINK, TUBING GRN 1/2"

**HOSES**

1501832	HOSE, CONDUIT/SPLIT 3/8" FLAME RETARDANT
1501782	HOSE, CONDUIT/SPLIT 1/2" FLAME RETARDANT
1501824	HOSE, CONDUIT/SPLIT 3/4" FLAME RETARDANT
1501840	HOSE, CONDUIT/SPLIT 1" FLAME RETARDANT
1501857	HOSE, CONDUIT/SPLIT 1.5" FLAME RETARDANT
1502202	HOSE, CONDUIT/SPLIT 2" FLAME RETARDANT
123901	HOSE, CORR BILGE 1 1/8" BLK
314799	HOSE, GEN PURPOSE 1.5" (PULL WIRE TUBE)

**INSULATIONS**

163048	INSULATION, 1" ACCOUSTICAL W/VAPOR BARRIER
770404	INSULATION, 2" ACCOUSTICAL 4.5"X 6' ALUM

**LABELS**

1744743	LABEL, 2"X 1/2" GENERATOR
1744740	LABEL, 2"X 1/2" PRT
1743511	LABEL, 2"X 1/2" STB
1751885	LABEL, CAUTION: PRIOR TO TOWING VESSEL
1746895	LABEL, CHECK BATTERY CELL FLUID LEVEL
1751888	LABEL, CONTROL STATION MAIN 12VDC
1109248	LABEL, CONVERTER 1/4"X 1.5"
1744737	LABEL, DISCHARGE OF OIL (LEXAN)
1751979	LABEL, ELECTRONICS MAIN 12VDC
1751882	LABEL, ELECTRONICS MAIN NEGATIVE
1751980	LABEL, HORN
1745514	LABEL, PREVENT DISCHARGE OF POLLUTANTS (C E OPTION GROUP)
1745512	LABEL, STAY CLEAR OF MOVING PARTS ON ENGINE
1743616	LABEL, UNPLUG SHORE POWER WARNING
1745513	LABEL, WARNING LEAKING FUEL
1751633	LABEL, WINDLASS 1.5"X 1/4"
1793310	LABEL, BATTERY PLACEMENT 420DA DSL PRT SIDE (TVD-CUMMINS 6CTA (T-417 PHP) V-DR.INBOARDS) (TVD-CUMMINS 480CE (T-446 PHP) V-DR.INBOARDS)
1793311	LABEL, BATTERY PLACEMENT 420DA STB SIDE (TVD-CUMMINS 6CTA (T-417 PHP) V-DR.INBOARDS) (TVD-CUMMINS 480CE (T-446 PHP) V-DR.INBOARDS)
1793308	LABEL, BATTERY PLACEMENT 420DA GAS PRT SIDE
1793309	LABEL, BATTERY PLACEMENT 420DA GAS STB SIDE

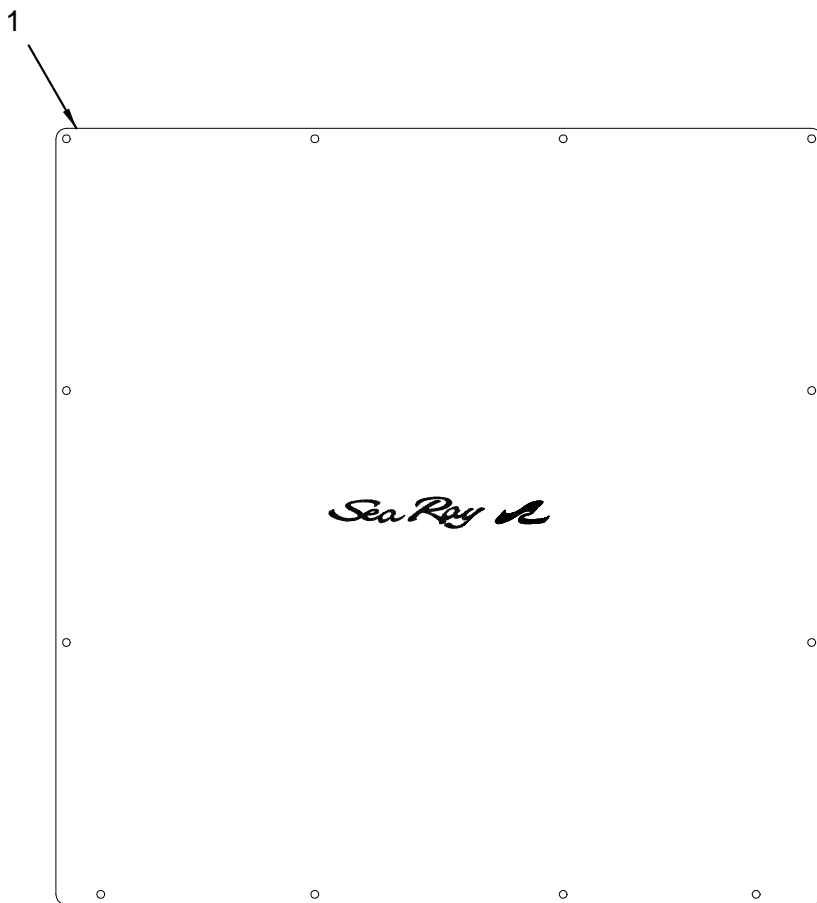
**SMARTCRAFT COMPONENTS**

1726995	ACC PART, MERC ALARM BUZZER W/HARNESSES
1690371	ACC PART, MERC S-CRFT TRNS W/19" NYL DEP/TEMP
1801244	DEPTH FINDER, DIGITAL SOUNDR MODL HSB2/DSM300 (HULL#693->UP) (RAYMARINE DSM250 FISH FINDER)
1772045	DEPTH FINDER, DIGITAL SOUNDR MODL HSB2/DSM250 (HULL#621->692) (RAYMARINE DSM250 FISH FINDER)
1795499	TRANSDUCER, DEPTH/TEMP FOR DSM250 FISHFINDER (HULL#636->UP) (RAYMARINE DSM250 FISH FINDER)
1782094	TRANSDUCER, DEPTH FOR DSM250 FISHFINDER NYLON (HULL#501->629) (RAYMARINE DSM250 FISH FINDER)
1610500	ACC PART, MERC S-CRFT WTHR CAP 3POS CAP (HULL#501->537)
1610518	ACC PART, MERC S-CRFT WTHR CAP 3POS PLUG (HULL#501->537)
168955	ELBOW, BRASS 90DEG 1/4"MPT X 1/2"SAE
1507276	HARNESSES, MERC DATA S-CRFT W/TERM 1000-1RSL-30

**NOT SHOWN**

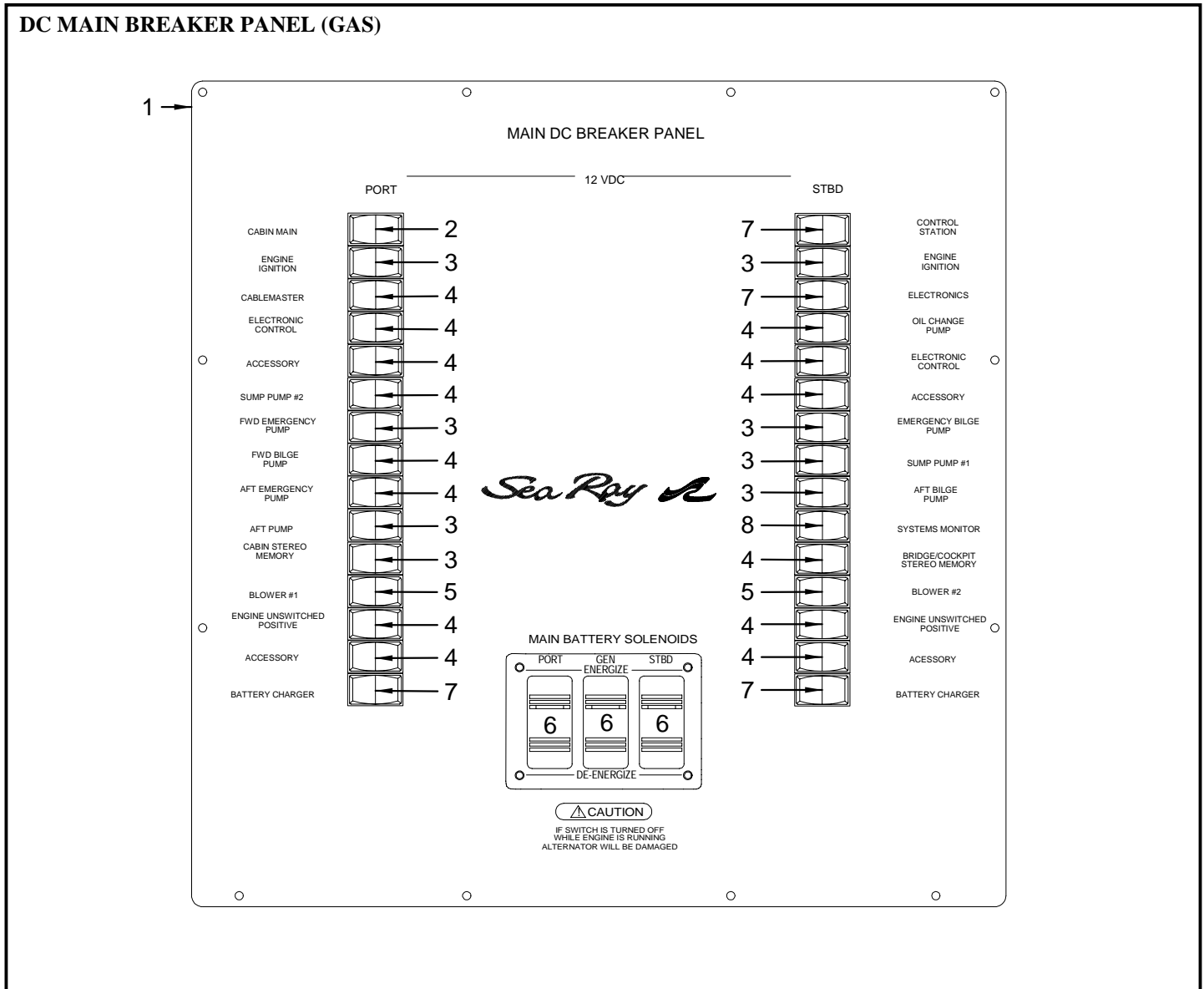
1515485	BOX, JUNCTION 4"X 4"X 1 5/8" W/O BRKT
512426	BRACKET, ALUM 1"X 1"X 3"
779488	BUSS BAR, COPPER 7.5"
123695	CLAMP, LOOM VINYL DIP #12 3/4"
261354	CLAMP, LOOM VINYL DIP #38 2 3/8"
1749578	COVER, ABS TERM BLOCK 4-POS BLK
830968	COVER, CLAMP END PROT 1/2"L X .045"X .465"RED (HULL#501->533)
830950	COVER, THREADED ROD 1/2"L X .225 RED
1094606	ENGINE MT, ENG STEP PAD GAS/HURTH TRANS
1738109	LADDER, 420DA-03 BILGE
1750381	LADDER, 420DA-03 BILGE STAND-OFF
915827	LEAD, BALLAST TRIANGULAR
1750450	PAD, VIBRATION P/C 1/2"X 2"X 4" SUPPORT BRKT
1744510	PAD, VIBRATION P/C 1/2"X 2"X 4" CKPT LINER
1398031	PAD, VIBRATION P/C 1/2"X 5"X 5.5"
1738105	SUPPORT, LINER CKPT ADJ 26" TUBE SS 420DA-03
1497460	TAPE, FOAM NEOPRENE W/3M 9828 1/4"TH X 2"W
1749613	TERMINAL BLOCK, 4 CIRCUIT 65 AMP #2604

**MAIN DC BREAKER ACCESS PANEL**



**MAIN DC BREAKER ACCESS PANEL**

- 1 1504851 PANEL, 420/500DA/480MY-03 MAIN DC BRKR ACCESS (TVD-CUMMINS (480CE T-446 PHP) & (6CTA (T-417 PHP) V-DR I/B)

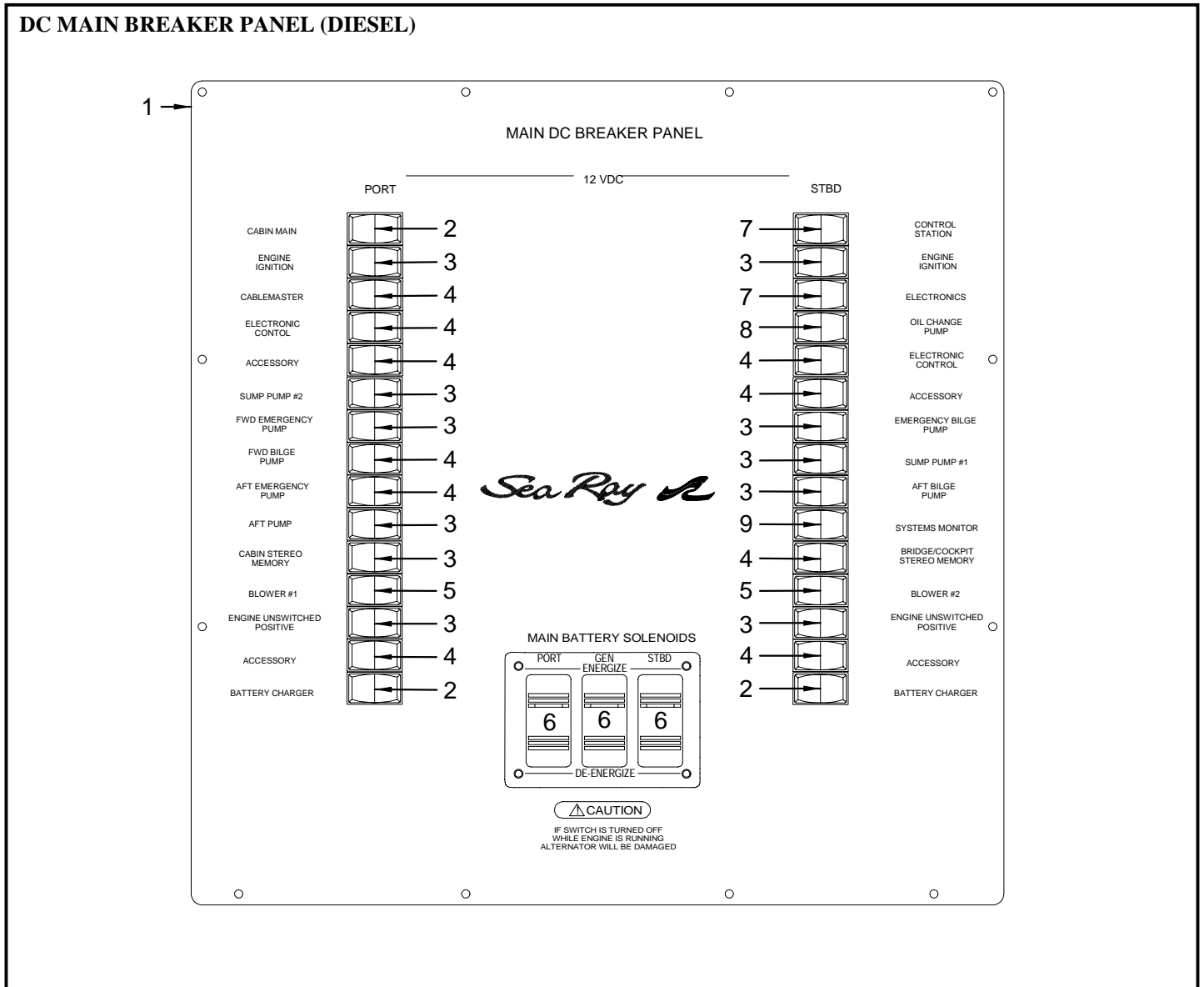


**DC MAIN BREAKER PANEL (GAS)**

- 1 1792018 PANEL, BLANK:420/500DA/480MY MAIN DC BRKR RV1 (HULL#670->UP)
- 1718585 PANEL, BLANK:420DA/500DA/480MY MAIN DC BRKR (HULL#501->669)
- 2 1685153 BRKR/ROCK, SGL-POLE C-SERIES DC IGNPRT 60 YL
- 3 1685159 BRKR/ROCK, SGL-POLE C-SERIES DC IGNPRT 15AYL (SMARTCRAFT UNSWITCHED (HULL#501->669))
- 4 432872 PLUG, BRKR/ROCK
- 5 1685155 BRKR/ROCK, SGL-POLE C-SERIES DC IGNPRT 6AYL
- 6 1260298 ACTUATOR, ROCK BLK W/CLEAR LENS BATT
- 1260231 BODY, ROCK SW DDPDT (MOM) 12V W/INDEP LED
- 1733051 PANEL, SW POD BLK
- 7 1685162 BRKR/ROCK, SGL-POLE C-SERIES DC IGNPRT 50AYL
- 8 1685154 BRKR/ROCK, SGL-POLE C-SERIES DC IGNPRT 5A YL

**NOT SHOWN**

- 1741432 BUSS BAR, LINE BUS 6 HOLE (C-SERIES BRKR)
- 1741433 BUSS BAR, LINE BUS 9 HOLE (C-SERIES BRKR)
- 1686649 PLUG KIT, DEUTSCH F/C 10-12AWG PIN
- 1443084 PLUG KIT, DEUTSCH HD10-5-16-P
- 1530096 PLUG KIT, DEUTSCH HDP24-24-9-PN
- 1376052 PLUG KIT, DEUTSCH HDP24-24-16-PN
- 1408434 PLUG KIT, DEUTSCH S/C 12-14AWG PIN
- 1314079 PLUG KIT, DEUTSCH S/C 14-16AWG PIN
- 1314087 PLUG KIT, DEUTSCH S/C 14-16AWG SCKT

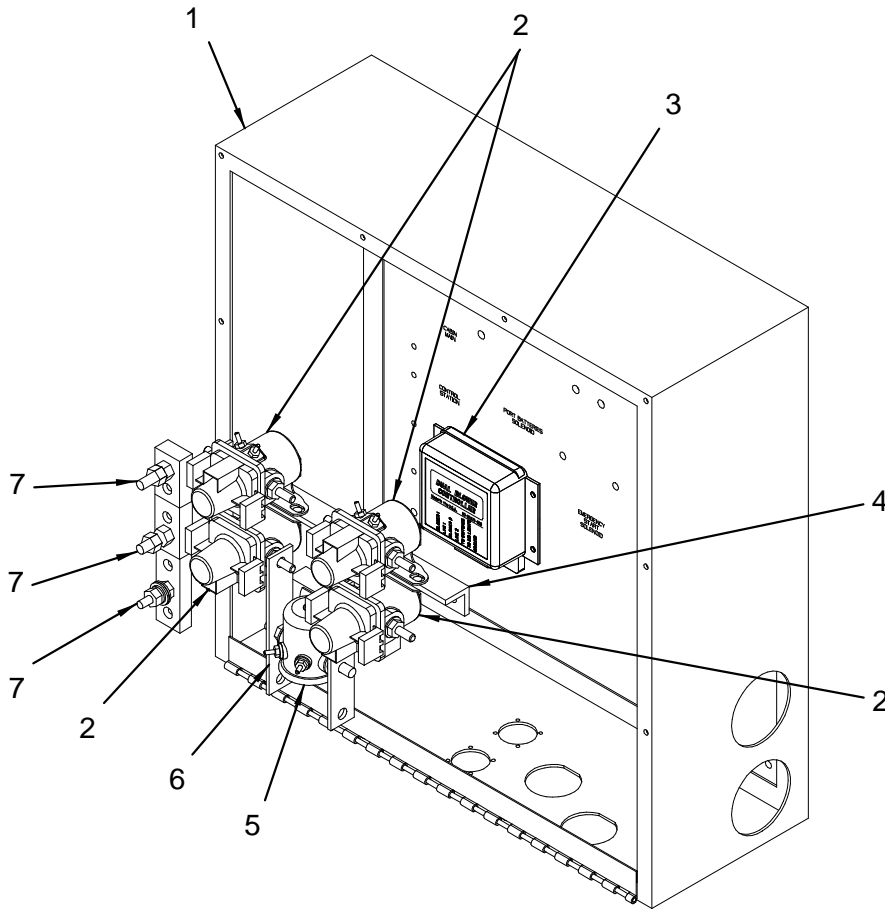


**DC MAIN BREAKER PANEL (DIESEL)**

- 1 1792018 PANEL, BLANK:420/500DA/480MY MAIN DC BRKR RV1 (HULL#670->UP)
- 1718585 PANEL, BLANK:420DA/500DA/480MY MAIN DC BRKR (HULL#501->669)
- 2 1424407 BRKR/ROCK, SGL-POLE C-SER MNL RSET AC/DC 60A
- 3 1424308 BRKR/ROCK, SGL-POLE C-SER MNL RSET AC/DC 15A SMARTCRAFT UNSWITCHED (HULL#501->669)
- 4 432872 PLUG, BRKR/ROCK
- 5 1508142 BRKR/ROCK, SGL-POLE C-SER MNL RSET AC/DC 6A
- 6 1260298 ACTUATOR, ROCK BLK W/CLEAR LENS BATT BODY, ROCK SW DPDT (MOM) 12V W/INDEP LED
- 7 1424381 BRKR/ROCK, SGL-POLE C-SER MNL RSET AC/DC 50A
- 8 1424316 BRKR/ROCK, SGL-POLE C-SER MNL RSET AC/DC 20A
- 9 1424274 BRKR/ROCK, SGL-POLE C-SER MNL RSET AC/DC 5A



## MAIN DC BREAKER ENCLOSURE (GAS)



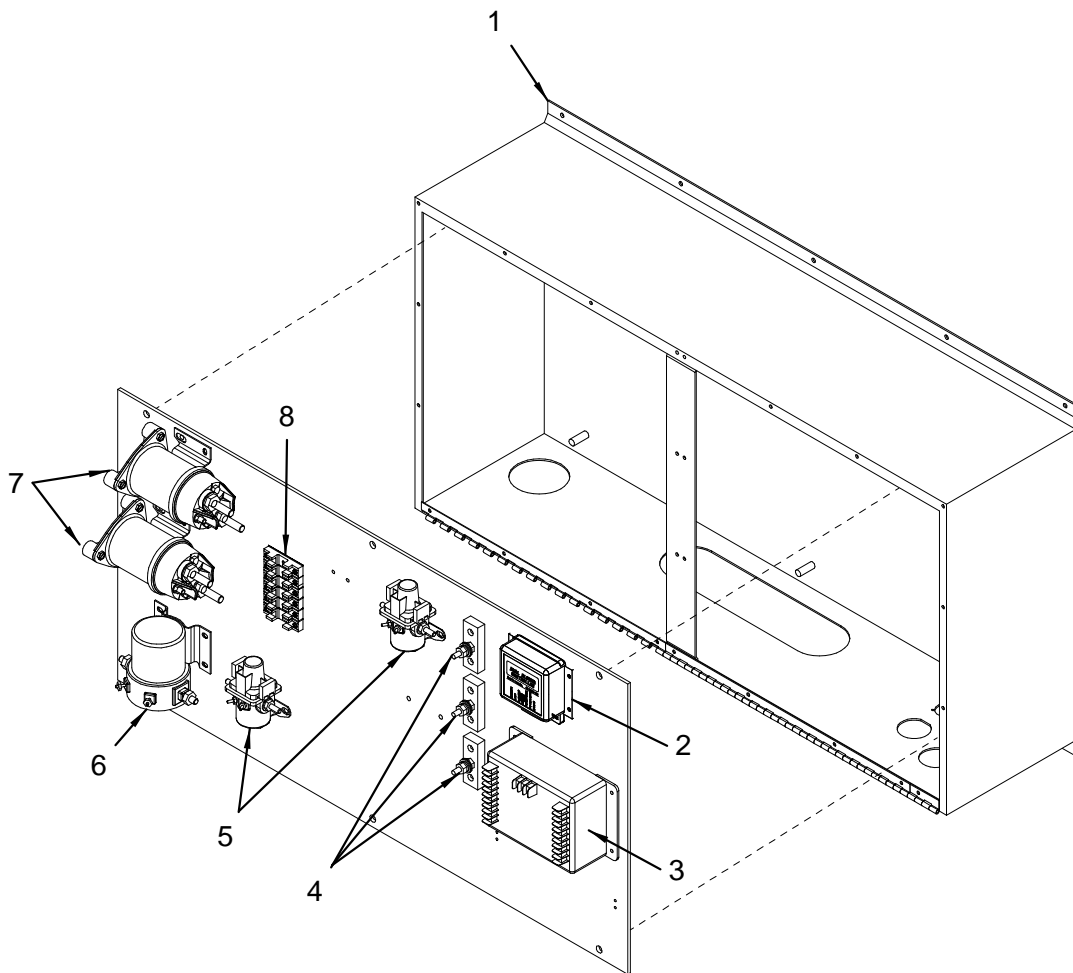
## MAIN DC BREAKER ENCLOSURE (GAS)

- |   |         |  |
|---|---------|--|
| 1 | 1689705 | PANEL, 390MY/420DA MAIN DC BRKR ENCL BOX GAS                     |
| 2 | 644609  | SOLENOID, MAGNET LATCHING 12V 100A/500A W/HDW                    |
|   | 651869  | SOLENOID, MAGNET LATCHING LEAD ONLY                              |
| 3 | 1190396 | MODULE, BILGE BLOWER CONTROLLER IGN PROTECT                      |
| 4 | 1690189 | BRACKET, PVC 1"X 1"X 5" LATCHING SOLENOID GRAY                   |
| 5 | 1690833 | SOLENOID, EMERG START 12V 100AMP<br>(HULL#641->UP)               |
|   | 144881  | SOLENOID, EMERG START<br>(HULL#503->633)                         |
|   | 1690173 | BLOCK, HDPE 3/4"X 1"X 4" EMERG START SOLENOID<br>(HULL#503->525) |
| 6 | 1690175 | BUSS BAR, LATCHING SOLENOID 5"X 1"NCKL PLTD                      |
| 7 | 795583  | BUSS BAR, SGL POST 5/16"   |

## NOT SHOWN

- |  |         |   |
|--|---------|---|
|  | 1464361 | CONN, BUSHING CHASE 2.0"W/LCKNUT PLAS (WIRE)<br>(HULL#503->540) |
|--|---------|---|

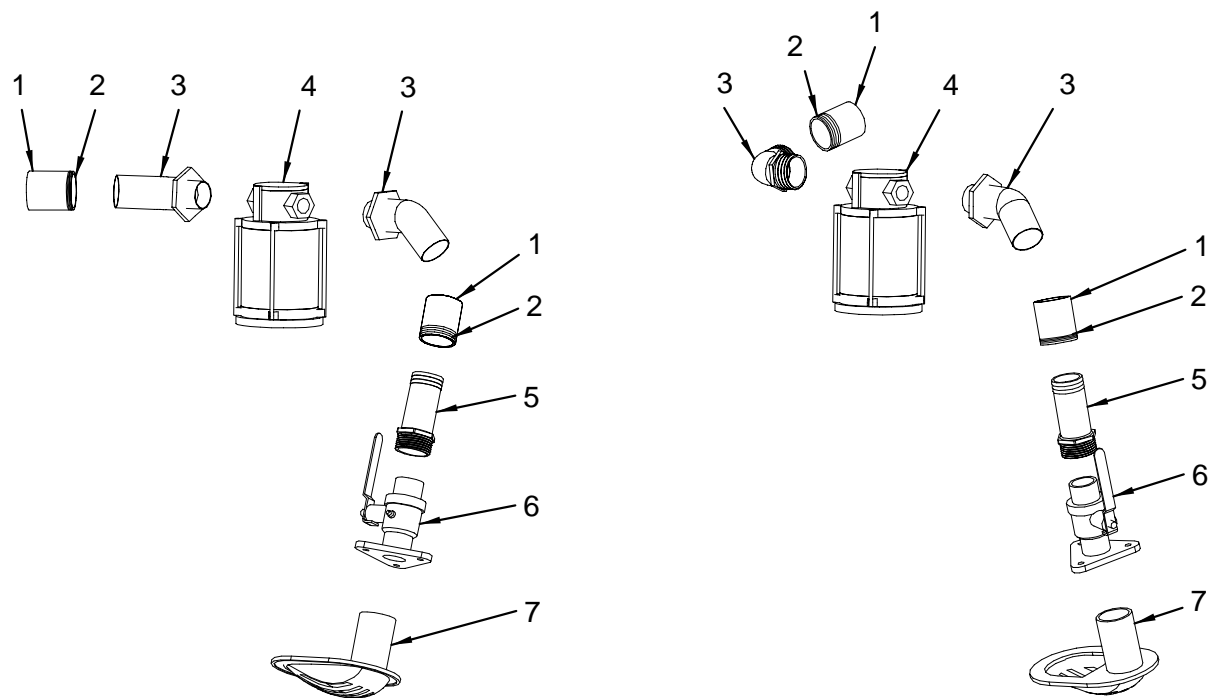
## MAIN DC BREAKER ENCLOSURE (DIESEL)



## MAIN DC BREAKER ENCLOSURE (DIESEL)

- |   |         |   |
|---|---------|---|
| 1 | 1740967 | PANEL, 420/500DA-03 MAIN DC BRKR ENCL BOX DSL |
| 2 | 1190396 | MODULE, BILGE BLOWER CONTROLLER IGN PROTECT   |
| 3 | 1148857 | HALON SYS, ENG INTRUPT/RESTRT 12V 5-CKT       |
| 4 | 795583  | BUSS BAR, SGL POST 5/16"                      |
| 5 | 644609  | SOLENOID, MAGNET LATCHING 12V 100A/500A W/HDW |
|   | 651869  | SOLENOID, MAGNET LATCHING LEAD ONLY           |
| 6 | 140814  | SOLENOID, EMERG START (12V DSL)               |
| 7 | 980219  | SOLENOID, MAGNET LATCHING 12V 200A/1200A      |
| 8 | 630822  | FUSE HOLDER, 6-FUSE BREAK-AWAY STRIP          |

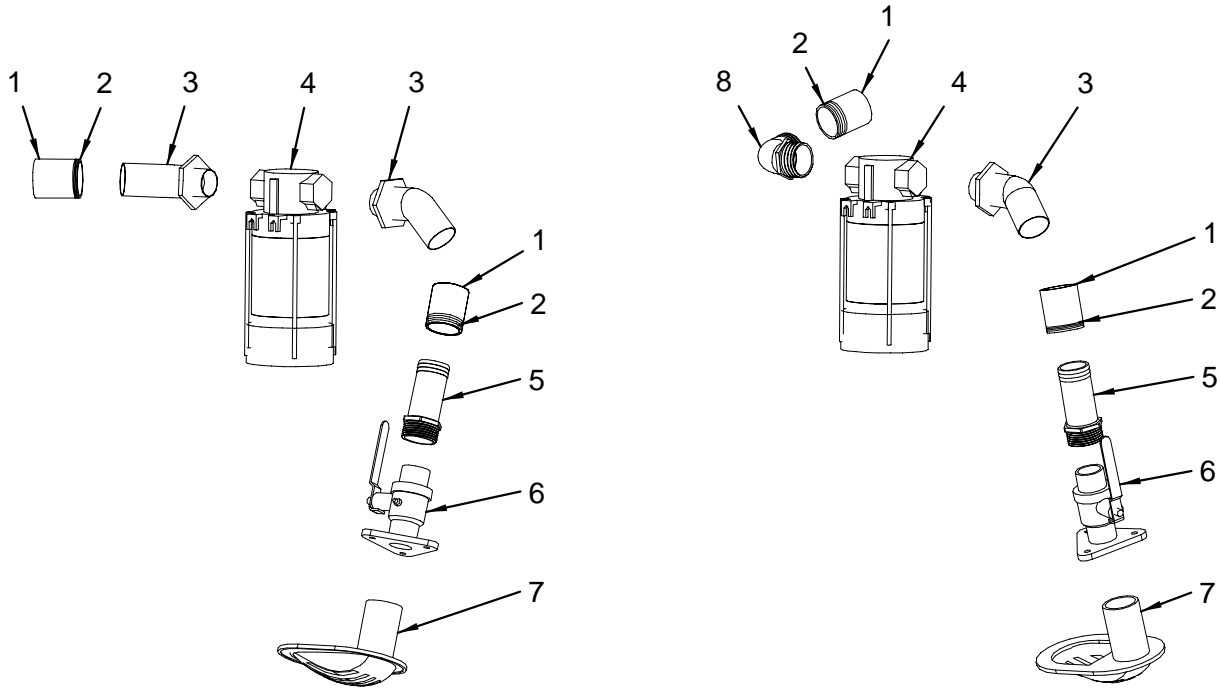
**BILGE (ENGINE WATER PICK-UP SYSTEM)**



**BILGE (ENGINE WATER PICK-UP SYSTEM)**

- 1 124206 HOSE, WATER INTAKE 1.25" HW
- 2 256685 CLAMP, HOSE #16 3/4"-1.5" SS .505
- 3 170415 ELBOW, RED BRASS 90DEG 1"MPT X 1.25"BARB
- 4 161521 STRAINER, BRZ WTR INTAKE 1"
- 1161777 STRAINER, BRKT ONLY 1"
- 5 518464 TAILPIECE, BRZ 1.25"MPT X 1.25"BARB
- 6 518449 SEACOCK, BRZ 1.25" W/O TAILPIECE
- 7 579912 PICK-UP, BRZ WATER INTAKE 1.25" W/O NUT

**BILGE (2" ENGINE SET-UP/WATER INTAKE)**



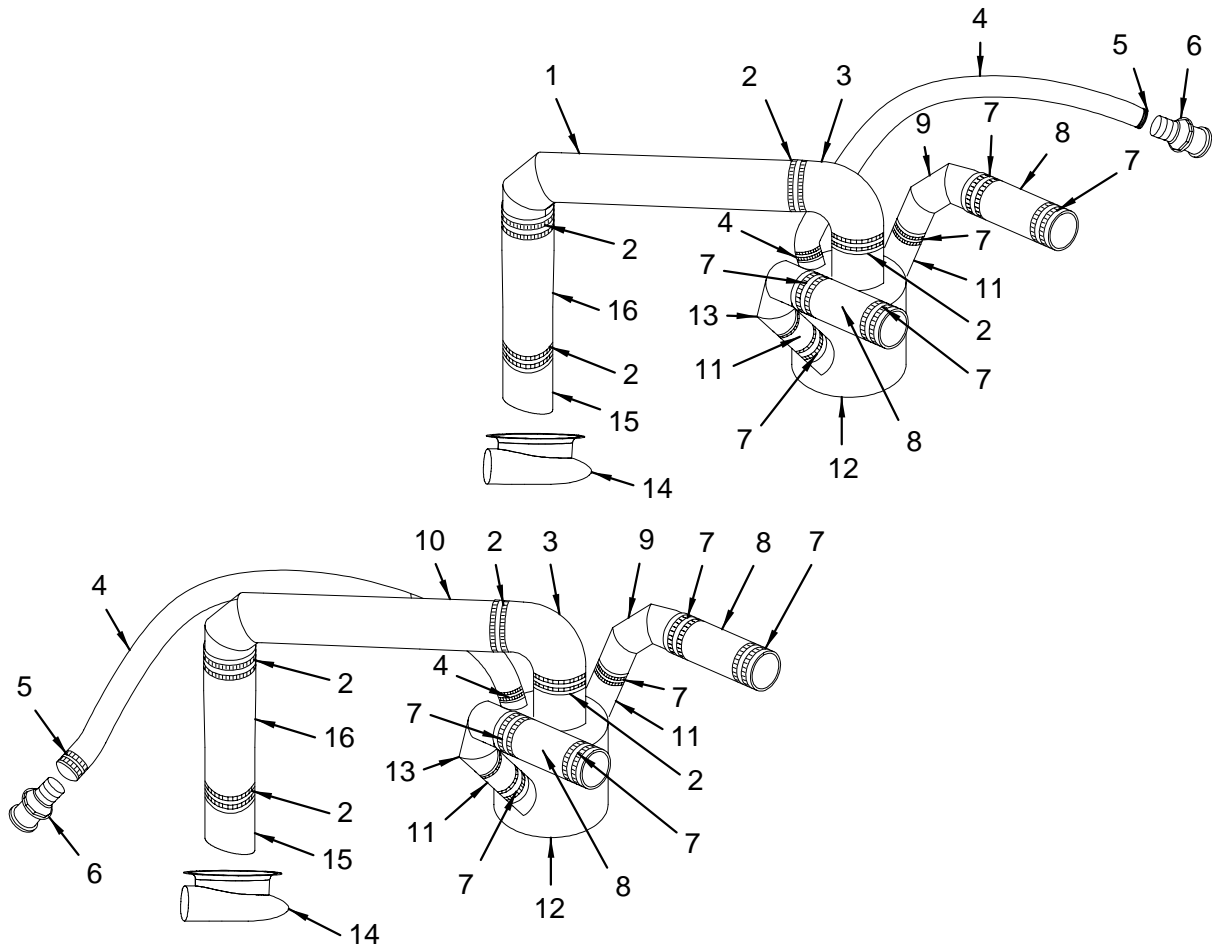
**BILGE (2" ENGINE SET-UP/WATER INTAKE)**

- 1 480491 HOSE, WATER INTAKE 2" HW
- 2 1155902 CLAMP, HOSE #6M300 2.25"-3 1/8" SS POWERGEAR
- 3 755934 ELBOW, BRZ 45DEG 2"MPT X 2"BARB
- 4 680447 STRAINER, BRZ WATER INTAKE 2"
- 1320068 STRAINER, BRKT ONLY 2"
- 5 869305 TAILPIECE, BRZ 2"MPT X 2"BARB
- 6 843854 SEACOCK, BRZ 2"
- 7 516617 PICK-UP, BRZ WATER INTAKE 2"
- 8 506931 ELBOW, RED BRASS 90DEG 2"MPT X 2"BARB

**NOT SHOWN**

- 1633882 ACC PART, TRUNION MOUNTING BRCKT
- 1767229 HOSE, WATER P/C 3/8"X 48" HVY DTY
- 1767231 HOSE, WATER P/C 3/8"X 168" HVY DTY

**BILGE (EXHAUST SYSTEM GAS)**



**BILGE (EXHAUST SYSTEM GAS)**

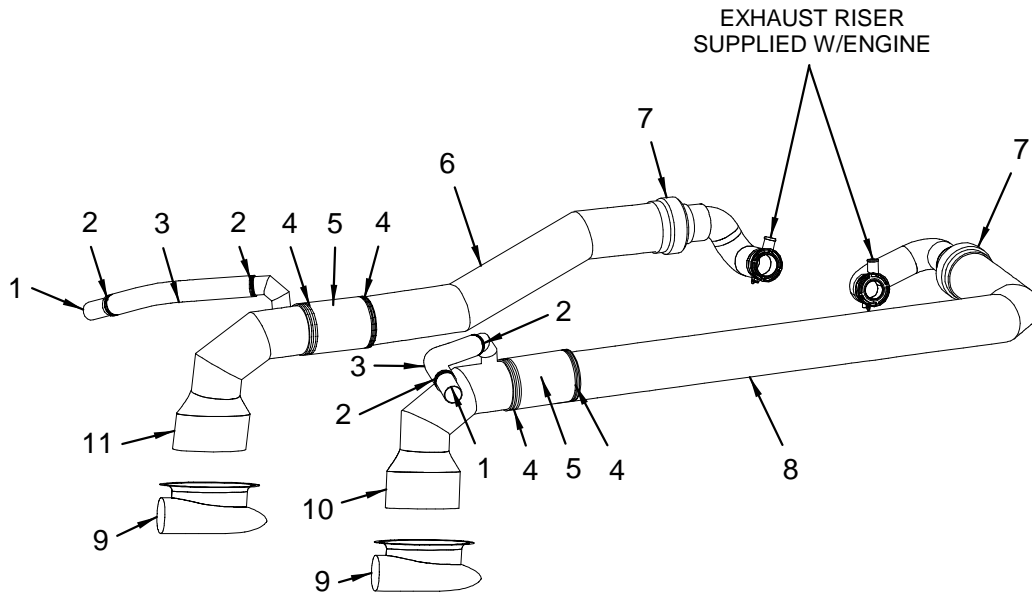
- 1 1418995 EXHAUST, EL 5"X 35.7" V-DRIVE PRT 310DA-00
- 2 1155936 CLAMP, HOSE #6M600 5.25"-6 1/8" SS POWERGEAR
- 3 860064 EXHAUST, EL 5"X 90DEG RBR W/T-BOLT CLAMPS
- 4 968925 HOSE, EXHAUST 2.5" CORR
- 5 1155902 CLAMP, HOSE #6M300 2.25"-3 1/8" SS POWERGEAR
- 6 1769255 THRU-HULL, EXHAUST 2" W/SS LIP
- 7 1155928 CLAMP, HOSE #6M450 3.75"-4 5/8" SS POWERGEAR
- 8 1311877 HOSE, EXHAUST P/C 4"ID X 28" SW
- 9 1411867 EXHAUST, EL 4"X 9.38" V-DRIVE PORT 310DA-00
- 10 1440254 EXHAUST, EL 5"X 35.7" V-DRIVE STBD 310DA-00
- 11 1311851 HOSE, EXHAUST P/C 4"ID X 6" SW
- 12 1598564 MUFFLER, 360DA-02 V/D 22"
- 13 1411875 EXHAUST, EL 4"X 9.38" V-DRIVE STBD 310DA-00
- 14 1215573 EXHAUST, BRZ U/W EXH OUTLET GAS 99
- 15 1762485 TUBING, EXH GLASS 5"X 13" X 19.5DEG
- 16 1309475 HOSE, EXHAUST P/C 5"ID X 10" SW

**NOT SHOWN**

- 186221 BRACKET, ALUM 1.5"X 1.5"X 1.5"SUPPORT
- 1155803 CLAMP, HOSE #6M175 1"-1.75" SS POWER GEAR
- 124206 HOSE, WATER INTAKE 1.25" HW
- 1116870 COVER, CLAMP END PROT 1/2"L X .020"X .592"RED

**BILGE (EXHAUST SYSTEM) V-DRIVE**

TVD-CUMMINS 480CE (T-446 PHP)  
 TVD-CUMMINS 6CTA (T-417 PHP)  
 V-DRIVE INBOARDS



**BILGE (EXHAUST SYSTEM) V-DRIVE**

- 1 1761644 THRU-HULL, EXHAUST 3" X-LONG SS
- 2 1751315 CLAMP, HOSE #6M350 2.75"X 3 5/8" SS POWERGEAR
- 3 968933 HOSE, EXHAUST 3" CORR
- 4 1155951 CLAMP, HOSE #6M900 8.25"-9 1/8" SS POWERGEAR
- 5 1691006 HOSE, EXHAUST P/C 8"ID X 12" SW
- 6 1780098 EXHAUST, TUBE 420DA W/CRUSH SLEEVE
- 7 1688058 EXHAUST, HOSE HUMP 8"X 6" BLUE VHT W/CLAMPS
- 8 1691007 EXHAUST, EL 8"X 88.5" 91DEG 420DA
- 9 1215581 EXHAUST, BRZ U/W EXH OUTLET DSL 99
- 10 1691001 EXHAUST, EL 8"OD OUTLET AFT STB 420DA/SDB
- 11 1690999 EXHAUST, EL 8"OD OUTLET AFT PRT 420DA/SDB



## GENERATOR SYSTEM (GAS)

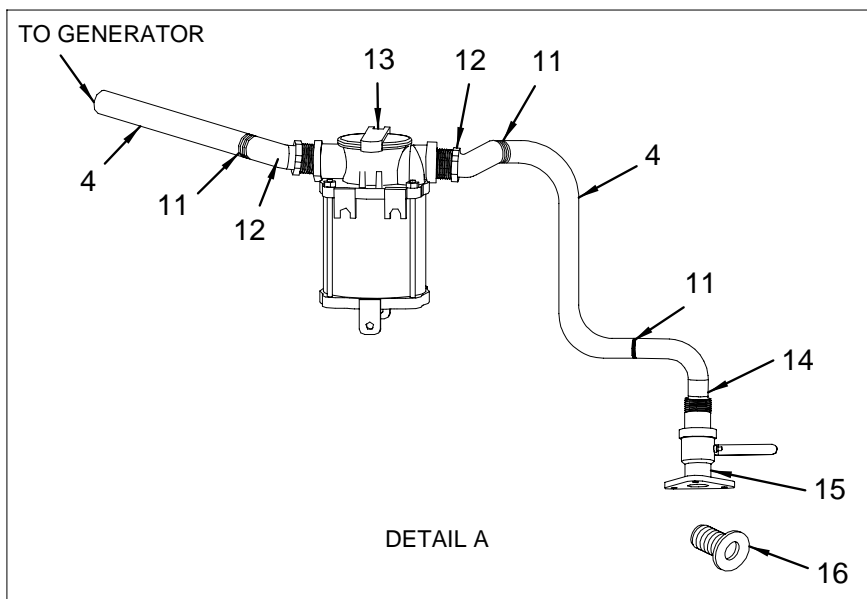
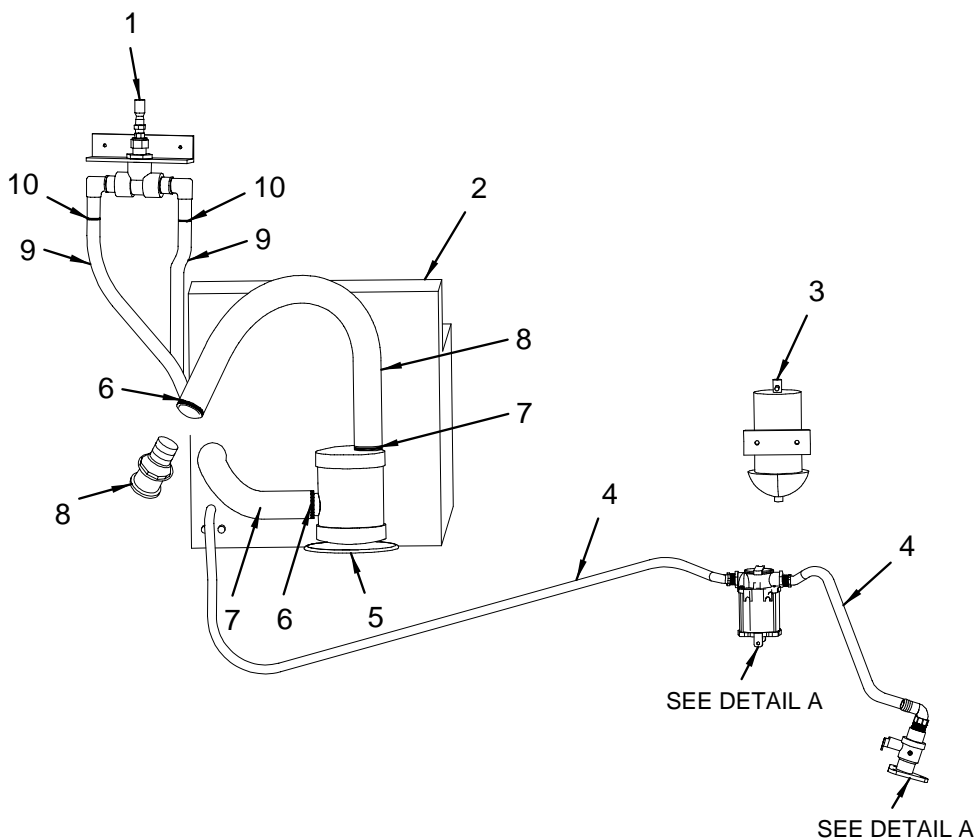
- 1 1776938 SYPHON BREAK KIT, GEN KOHLER 7.3/6.5KW GAS
- 1749612 SYPHON BREAK KIT, GEN EXH ONAN 3/4"
- 168419 ADAPTER, PVC 3/4"MPT X 3/4"BARB
- 2 1727340 GENERATOR, 7.3KW GAS KOHLER 120V/60
- 1727342 GENERATOR, 6.5 KW GAS KOHLER 220V/50  
(220 VOLT / 50 CYCLE ELECTRICAL SYSTEM)
- 1794751 GENERATOR, 10.0 KW GAS KOHLER 120V/60HZ EG-10  
(HULL#598->UP) (COCKPIT AIR W/GAS ENG.&  
GEN.UPGRADE-120V/60)
- 1749019 GENERATOR, 10.0 KW GAS KOHLER 120V/240V/60  
(HULL#503->577)(COCKPIT AIR W/GAS ENG.&  
GEN.UPGRADE-120V/60)
- 1727338 GENERATOR, 8.0 KW GAS KOHLER 220V/50  
(COCKPIT AIR W/GAS ENG.& GEN.UPGRADE-220V/50)
- 1754301 GROMMET, PLAS BUSHING 1" KOHLER GEN
- 1767594 GENERATOR, 9.0 MDKAV DSL ONAN W/SS 120V/60HZ  
(GENERATOR SOUND BOX - DIESEL ONLY)
- 3 148171 FILTER, FUEL/WATER SEPARATOR KIT
- 4 1791155 VALVE, BRASS FUEL SHUT-OFF 12V SER7000 10W  
(HULL#656->UP)
- 1782030 VALVE, BRASS FUEL SHUT-OFF ELEC 12V SER7000  
(HULL#538->655)
- 224329 VALVE, BRASS FUEL SHUT-OFF ELEC 12V SKINNER  
(HULL#503->537)
- 306936 BRACKET, FUEL SHUT-OFF VALVE (SKINNER-ELEC)  
(HULL#503->537)
- 5 196667 HOSE, GEN PURPOSE 1"
- 6 123810 HOSE, GEN PURPOSE 3/4"
- 7 1215128 MUFFLER, 2"IN X 2"OUT W/SIDE INLET DUAL STAGE
- 8 1155894 CLAMP, HOSE #6M250 1.75"-2 5/8" SS POWERGEAR
- 9 913053 HOSE, EXHAUST 2" CORR HW
- 10 1761551 THRU-HULL, EXHAUST 2.5" X-LONG SS
- 11 256685 CLAMP, HOSE #16 3/4"-1.5" SS .505
- 12 417550 ELBOW, RED BRASS 45DEG 3/4"MPT X 1"BARB
- 13 144717 STRAINER, BRZ WATER INTAKE 3/4" SPECIAL #5937
- 14 123414 CLAMP, HOSE #12M 5/8"-1.25" SS MINI
- 15 170357 ADAPTER, BRZ 1"MPT X 1"BARB STRAIGHT
- 16 531368 SEACOCK, BRZ 1"
- 17 196568 THRU-HULL, BRZ 1"
- 18 169193 ELBOW, BRZ 90DEG 3/4"MPT X 3/4"BARB

## NOT SHOWN

- 511873 BRACKET, ALUM 2"X 5"X 4.5"
- 256743 CLAMP, HOSE #72 3 1/8"-5" SS .505
- 256750 CLAMP, HOSE #88 4.25"-6" SS .505
- 123901 HOSE, CORR BILGE 1 1/8" BLK
- 254904 HOSE, WATER INTAKE 5/8" WIRE REINFORCED
- 1744743 LABEL, 2"X 1/2" GENERATOR
- 1398031 PAD, VIBRATION PIC 1/2"X 5"X 5.5"



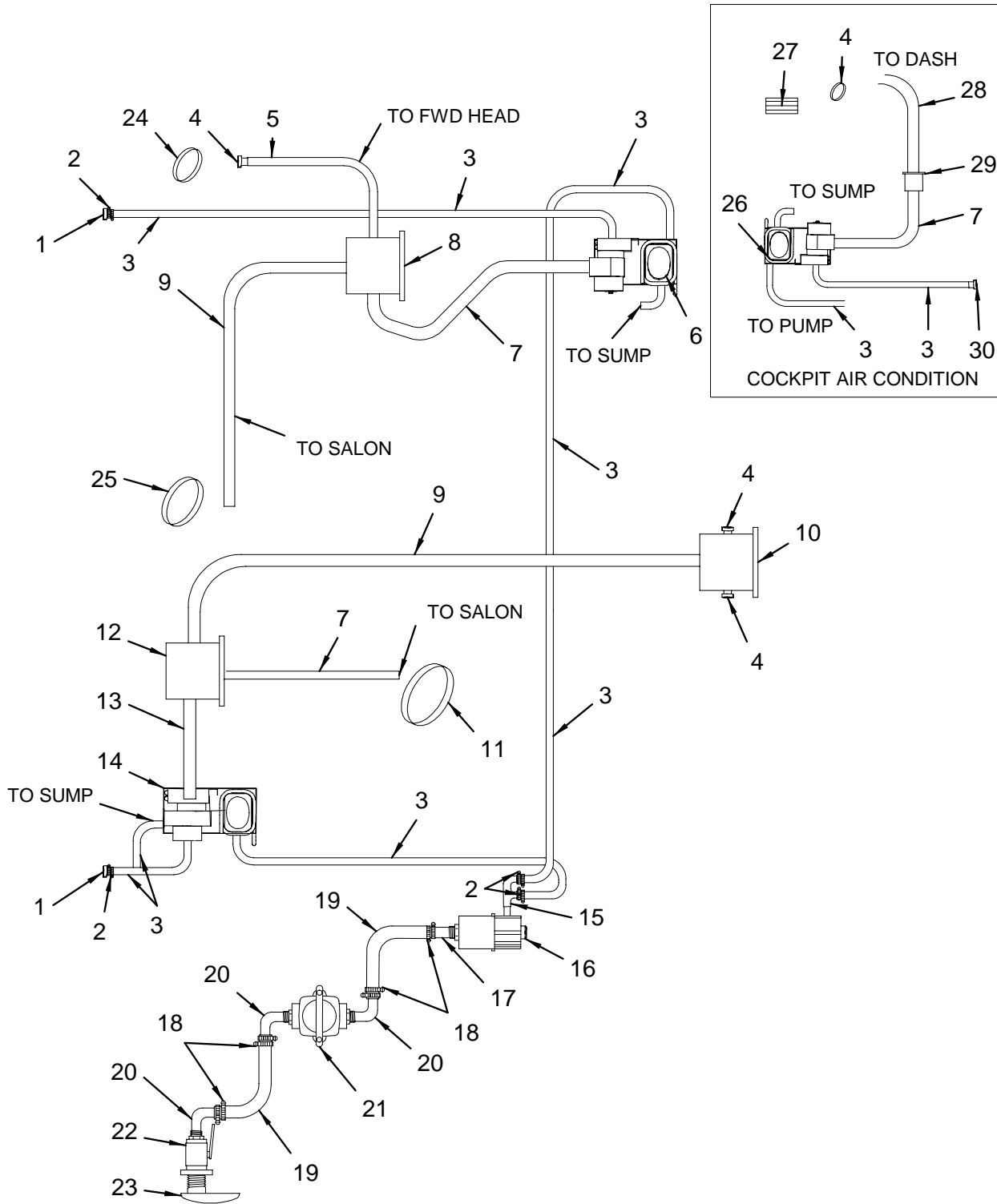
GENERATOR SYSTEM (DIESEL)



**GENERATOR SYSTEM (DIESEL)**

- 1 1749612 SYPHON BREAK KIT, GEN EXH ONAN 3/4"
- 2 1727712 GENERATOR, 9.0 MDKAV DSL ONAN 120V/60HZ
- 1732988 GENERATOR, 7.0 E-QD DSL ONAN 220/50  
(220V & DIES 6CTA 417PHP)  
(220V & DIES 480CE 446PHP)
- 1732987 GENERATOR, 7.0 E-QD DSL ONAN 22/50 W/SNDSHD  
(SOUND SHIELD & 6CTA & 220V)  
(SOUND SHIELD & 480CE & 220V)
- 3 1524065 FILTER, REMOTE FUEL DSL (500MASR)
- 4 196667 HOSE, GEN PURPOSE 1"
- 5 1784602 MUFFLER, 2"IN X 2"OUT 9"X 9" BASE  
(HULL#620->UP)
- 846873 MUFFLER, 2"IN X 2"OUT W/SIDE INLET (DURALIFT)  
(HULL#501->619)
- 160374 MUFFLER, DRAIN PLUG  
(HULL#501->619)
- 6 1155894 CLAMP, HOSE #6M250 1.75"-2 5/8" SS POWERGEAR
- 7 913053 HOSE, EXHAUST 2" CORR HW
- 8 1761551 THRU-HULL, EXHAUST 2.5" X-LONG SS
- 9 124685 HOSE, WATER 5/8" EX HVY DTY
- 10 256685 CLAMP, HOSE #16 3/4"-1.5" SS .505
- 11 123414 CLAMP, HOSE #12M 5/8"-1.25" SS MINI
- 12 417550 ELBOW, RED BRASS 45DEG 3/4"MPT X 1"BARB
- 13 144717 STRAINER, BRZ WATER INTAKE 3/4" SPECIAL #5937
- 1161785 STRAINER, BRKT ONLY 3/4"
- 14 170357 ADAPTER, BRZ 1"MPT X 1"BARB STRAIGHT
- 15 531368 SEACOCK, BRZ 1"
- 16 196568 THRU-HULL, BRZ 1"

AIR CONDITIONING SYSTEM



## AIR CONDITIONING SYSTEM

## NOT SHOWN (continued)

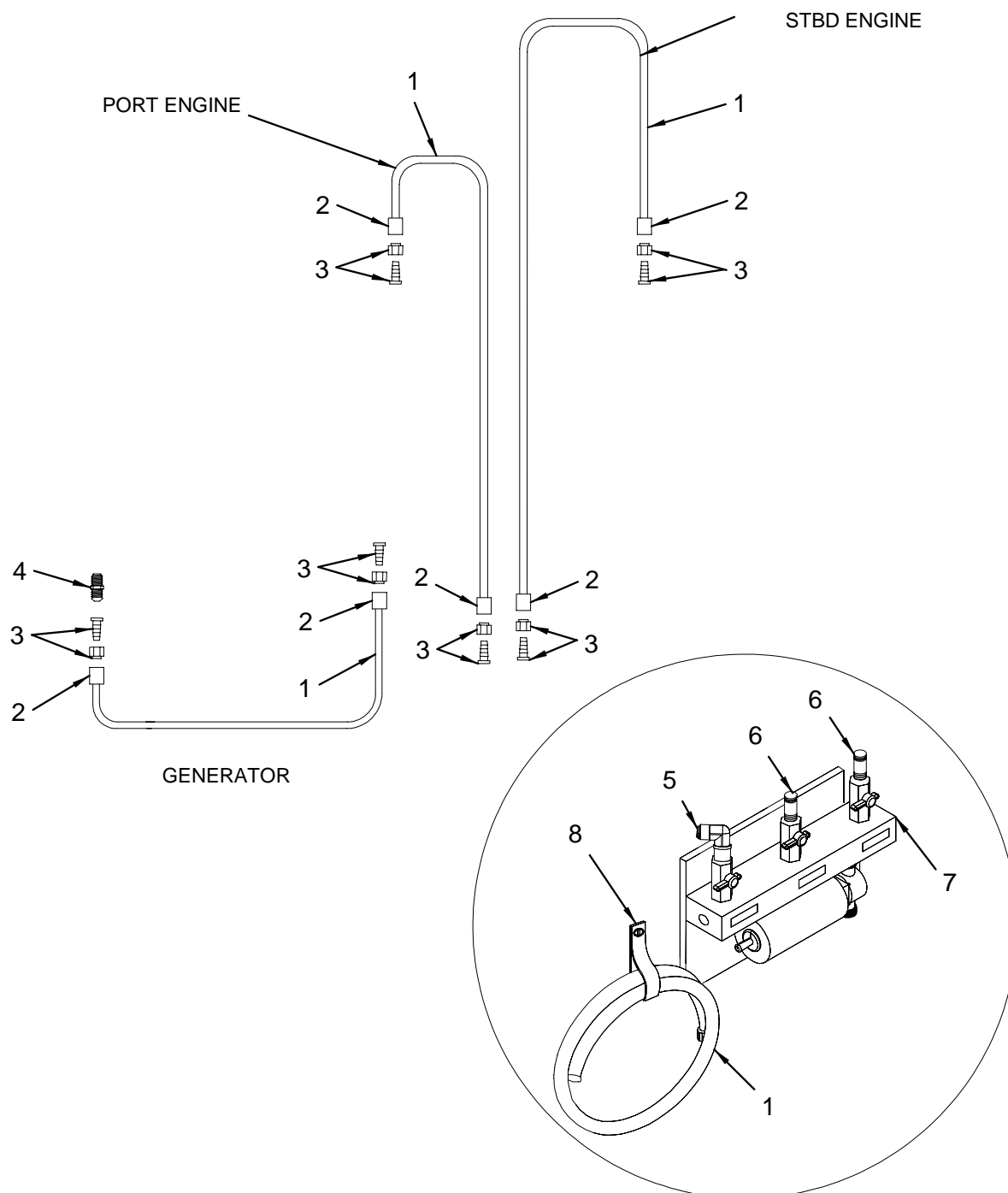
1	124487	THRU-HULL, PLAS 5/8" WHT
2	123398	CLAMP, HOSE #06M 5/16"-7/8" SS MINI
3	1058957	HOSE, WATER A/C WHT 5/8"
4	1322940	A/C COMP, GRILL 3" BLK W/DBL LVR
	1764425	A/C COMP, PLENUM BLWR 7 W/5" T/3" L-6.5" X 6.5"
5	639849	HOSE, AC/DUCT INSULATED 3" X 11'
6	1759849	A/C COMP, COMPACT 7K SMXII 115V 60HZ R22
	1769421	A/C COMP, COMPACT 7K SMXII 220V 50HZ GG <b>(220 VOLT / 50 CYCLE ELECTRICAL SYSTEM)</b>
	128090	A/C COMP, HOSE ADAPT 5" PLAS <b>(HULL#501-&gt;504)</b>
	1762241	A/C COMP, ELL PLAS 1/2"MPT X 5/8" HOSE
7	888107	HOSE, AC/DUCT INSULATED 5" X 10'
8	1738745	A/C COMP, DD BOX W/5B-4R-BAF-3R DVERTER 420DA
9	1688368	HOSE, AC/DUCT INSULATED 4" X 12'
	1153394	HOSE, AC/DUCT INSULATED 4" X 20'
10	1784840	420DA 05,BOX,A/C PLENUM AFT HEAD/MIDSTRM
11	957092	A/C COMP, HOSE RING 5" OBLONG
12	1738746	A/C COMP, PLENUM BOX W/6L-5F-4L 420DA
13	1044445	HOSE, AC/DUCT INSULATED 6" X 10'
14	1759843	A/C COMP, COMPACT 12K SMXII 115V 60HZ R22
	1769425	A/C COMP, COMPACT 12K SMXII 220V 50HZ GG <b>(220 VOLT / 50 CYCLE ELECTRICAL SYSTEM)</b>
	1762240	A/C COMP, HOSE ADAPT 6" PLAS
	1762241	A/C COMP, ELL PLAS 1/2"MPT X 5/8" HOSE
15	948745	A/C COMP, MANIFOLD DUAL WATER FITTING
	1780716	A/C COMP, MANIFOLD SR2 <b>(COCKPIT AIR CONDITION)</b>
16	956128	A/C COMP, PUMP SEAWATER 115V
	956169	A/C COMP, PUMP SEAWATER 230V <b>(220 VOLT / 50 CYCLE ELECTRICAL SYSTEM)</b>
	838755	A/C COMP, PUMP SEAWATER 115V PMA1000 W/BASE <b>(COCKPIT AIR CONDITION)</b>
	948273	A/C COMP, HOSE FITTINGS FOR PMP500
	838763	A/C COMP, PUMP SEAWATER 230V 400DB 50C <b>(220V AND COCKPIT A/C)</b>
	838821	A/C COMP, PUMP RELAY 115V
	838839	A/C COMP, PUMP RELAY 230V <b>(220 VOLT / 50 CYCLE ELECTRICAL SYSTEM)</b>
	1055573	A/C COMP, PUMP RELAY 3STA <b>(COCKPIT AIR CONDITION)</b>
	944850	A/C COMP, PUMP RELAY 240V <b>(COCKPIT AIR COND. W/ DIESEL ENGINE -220V/50)</b> <b>(COCKPIT AIR W/GAS ENG. &amp; GEN.UPGRADE-220V/50)</b>
17	168419	ADAPTER, PVC 3/4"MPT X 3/4" BARB
	484550	ADAPTER, PVC 1"MPT X 3/4" BARB <b>(COCKPIT AIR CONDITION)</b>
18	123414	CLAMP, HOSE #12M 5/8"-1.25" SS MINI
19	123810	HOSE, GEN PURPOSE 3/4"
20	169193	ELBOW, BRZ 90DEG 3/4"MPT X 3/4" BARB
21	144717	STRAINER, BRZ WATER INTAKE 3/4" SPECIAL #5937
	1161785	STRAINER, BRKT ONLY 3/4"
22	518431	SEACOCK, BRZ 3/4" W/O TAILPIECE
23	531574	PICK-UP, BRZ WATER INTAKE 3/4"
24	948505	A/C COMP, HOSE CONN 3"
25	958140	A/C COMP, HOSE RING 4" OBLONG
26	1772531	A/C COMP, COMPACT 16K SMXII HV 115V 60HZ R22
27	1163963	A/C COMP, GRILL 10X5 SNAP WHT W/FRAME
	888107	HOSE, AC/DUCT INSULATED 5" X 10'
28	639831	HOSE, AC/DUCT INSULATED 3" X 4'
29	1781383	A/C COMP, 420DA-05 DASH PLENUM
30	1688448	THRU-HULL, SS 1 1/8" X 5/8" BARB

1787700	HOSE, AC/DUCT INSULATED 4" X 15' P/C <b>(COCKPIT A/C 110/220 GAS/DSL)</b>
1791619	CLIP, XMAS TREE .276" X 1.30" NATURAL <b>(COCKPIT A/C 110/220 GAS/DSL)</b>
858589	ELBOW, PVC 1/2" FPT X 3/4" BARB X 90DEG <b>(COCKPIT A/C 110/220 GAS/DSL)</b>

## NOT SHOWN

1604263	A/C COMP, CABLE INTERCONNECT 15'
1690763	A/C COMP, CABLE INTERCONNECT 20'
1604271	A/C COMP, DISPLAY ECU BLK W/3/4" DOOR
1055821	A/C COMP, FACE PLATE FOR CONTROL BLK
995696	A/C COMP, GRILL 4X4 ARW
989921	A/C COMP, GRILL 12X10 CLW W/FILTER
531426	ADAPTER, BRZ 3/4"MPT X 3/4" BARB
673780	BOOT, RED
522813	BOX, RECEPTACLE PVC SURFACE MOUNT CARLON
1376474	CONN, NYLON 1/2" FLAT CORD GRIP WATERPROOF
1478841	CONN, NYLON 1/2" ROUND SKIN TOP WATERPROOF
147397	COVER PLATE, CARLON BOX SGL
123901	HOSE, CORR BILGE 1 1/8" BLK
490219	HOSE, CORR SAN/WATER-FILL 1.5" RH
1153386	HOSE, AC/DUCT INSULATED 3" X 16'
1743616	LABEL, UNPLUG SHORE POWER WARNING
1798719	CONNECTOR, HOSE 3 1/2" TAPERED V/F
1781222	BOX, LDPVC 420DA-05 CKPT A/C DECK PLENUM <b>(COCKPIT A/C 110/220 GAS/DSL)</b>

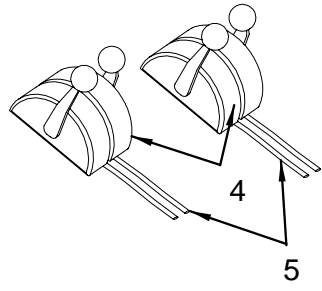
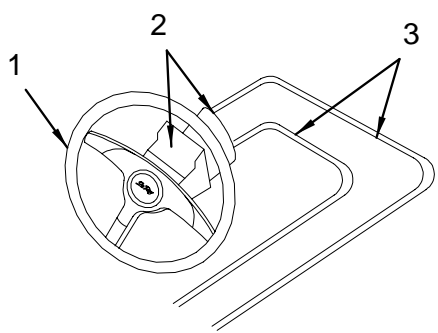
OIL EXCHANGE SYSTEM



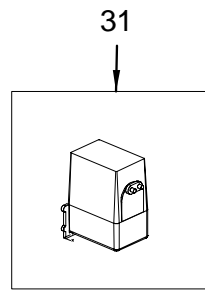
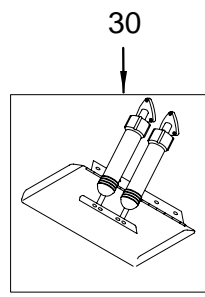
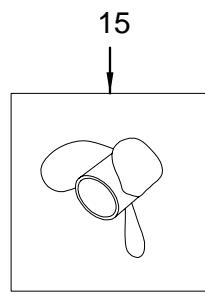
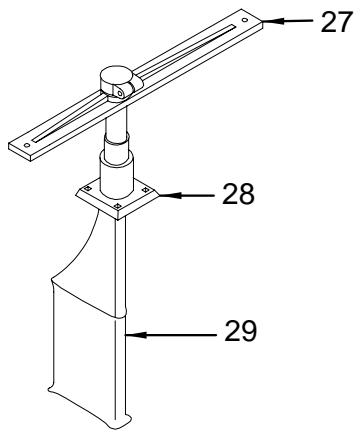
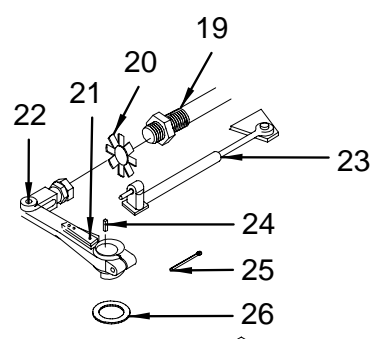
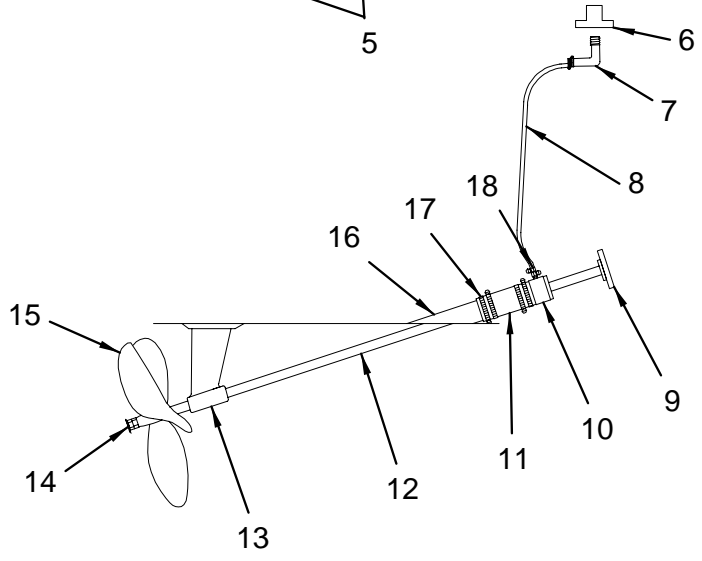
**OIL EXCHANGE SYSTEM**

- 1 1497494 HOSE, FUEL 1/2" ISO/CE W/PLAS LINER
- 2 1479294 FERRULE, FUEL LINE 1/2"ISO/CE
- 3 170605 FITTING, BRASS 1/2"BARB/NUT
- 4 1746452 ADAPTER, BRASS 1/2"SAE X 3/8"FPT
- 5 169102 ELBOW, BRASS 90DEG 1/2"MPT X 1/2"SAE
- 6 169821 ADAPTER, BRASS 1/2"MPT X 1/2"SAE
- 7 1092048 PUMP, OIL CHANGE KIT 12V 3-VALVE
- 8 156893 WEBBING, POLYPROPYLENE 1" BLACK
- 154369 SNAP STUD, W/#8 X 3/8" PH SS
- 154393 SNAP SOCKET, MED ACTION
- 798314 SNAP CAP, PRESS-ON COVER #2 PHILLIP BLK

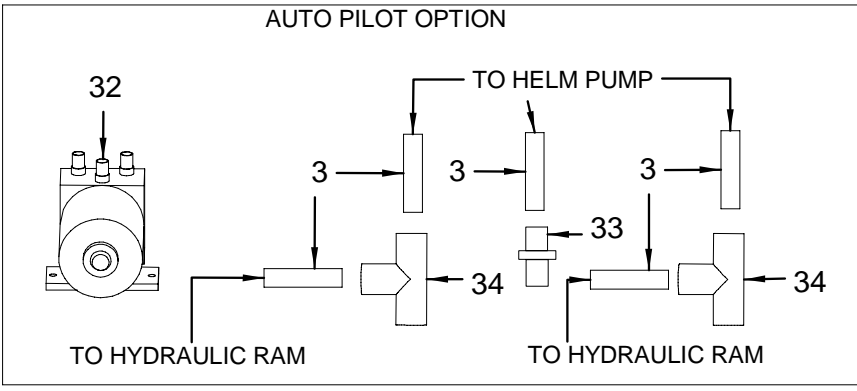
STEERING SYSTEM



ENGINE MANIFOLD



AUTO PILOT OPTION



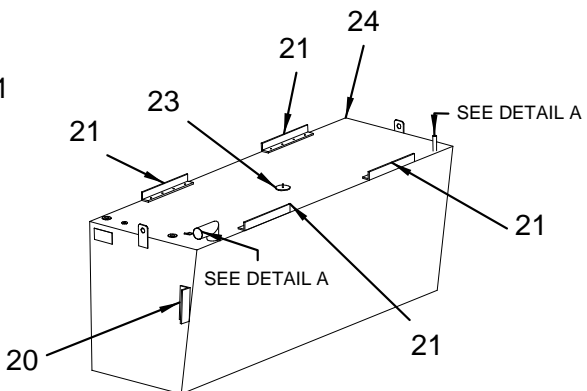
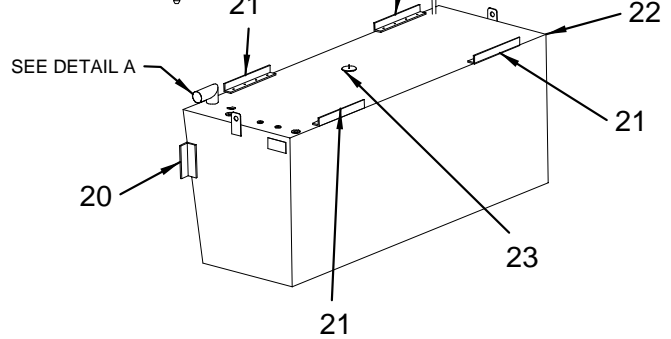
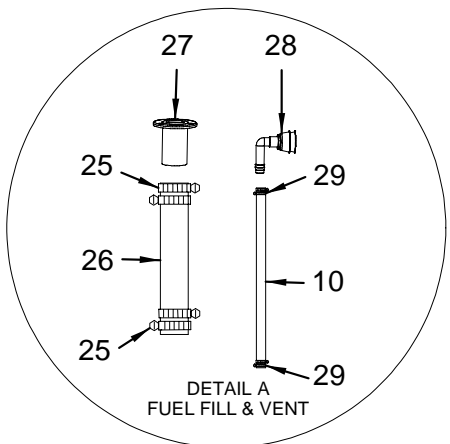
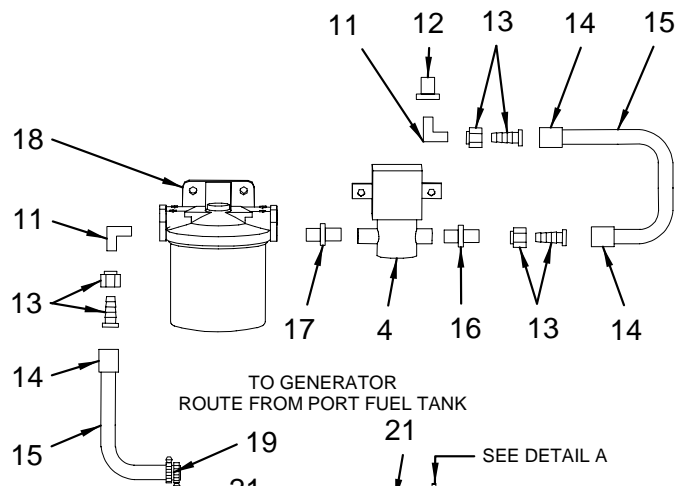
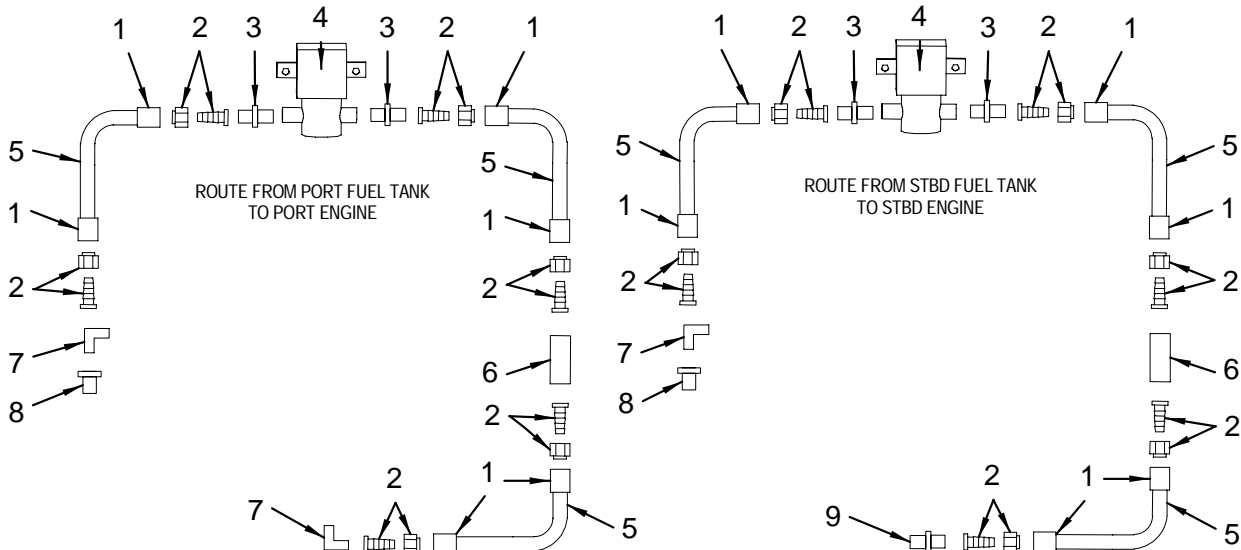




**NOT SHOWN (continued)**

- 195305 COUPLING, BRASS 1/4" FPT  
**(POWER STEERING - ASSISTED)**
- 999284 STEERING, FITTING ELBOW TUBE TO 1/4"MPT  
**(POWER STEERING - ASSISTED)**
- 1583509 SYNCHRONIZER, STURDY ACCUSYNC GAS #002  
**(ENGINE SYNCHRONIZER - GAS ENGINES)**
- 1727593 BRACKET, RUDDER INDICATOR  
**(AUTOPILOT - RAYPILOT ST 7001+)**
- 1738311 PIN, COTTER PIN #3/32" X 1/2" SS  
**(AUTOPILOT - RAYPILOT ST 7001+)**
- 1426824 BRACKET, ALUM AUTO PILOT RUDDER REFERENCE  
**(AUTOPILOT & CUMMINS 6CTA)**

FUEL SYSTEM (GAS)



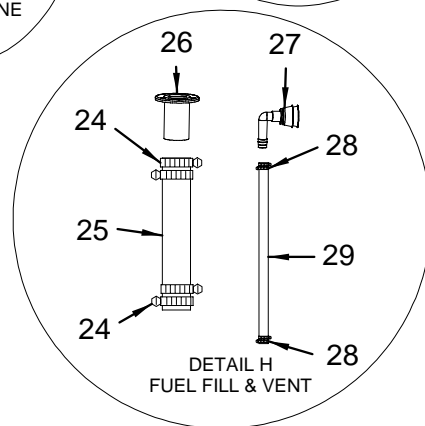
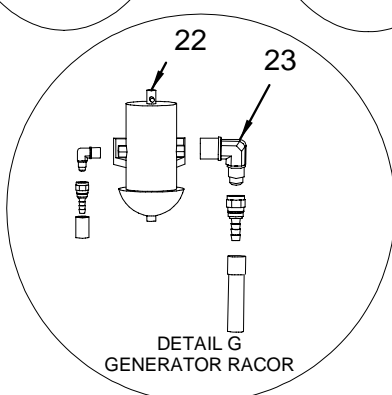
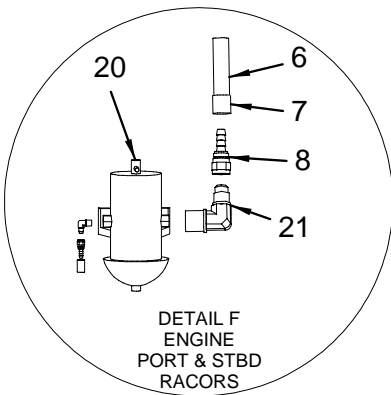
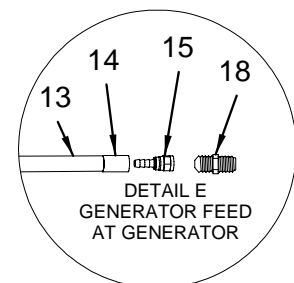
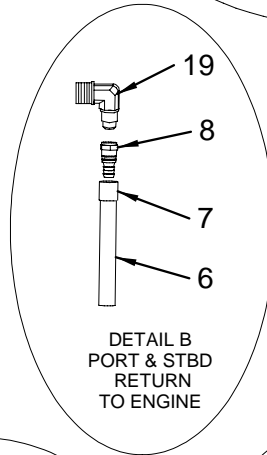
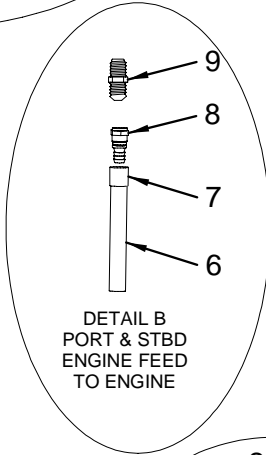
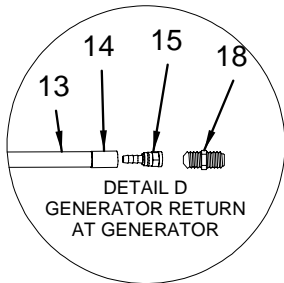
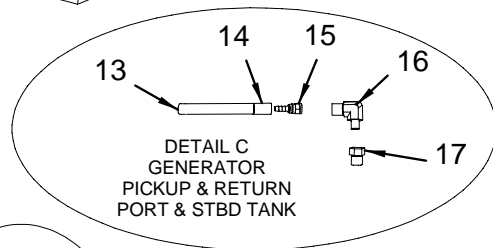
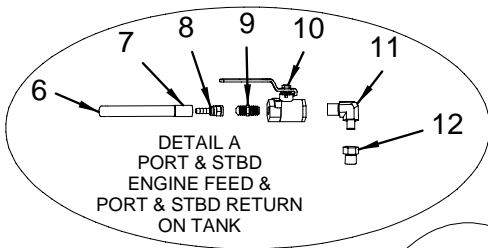
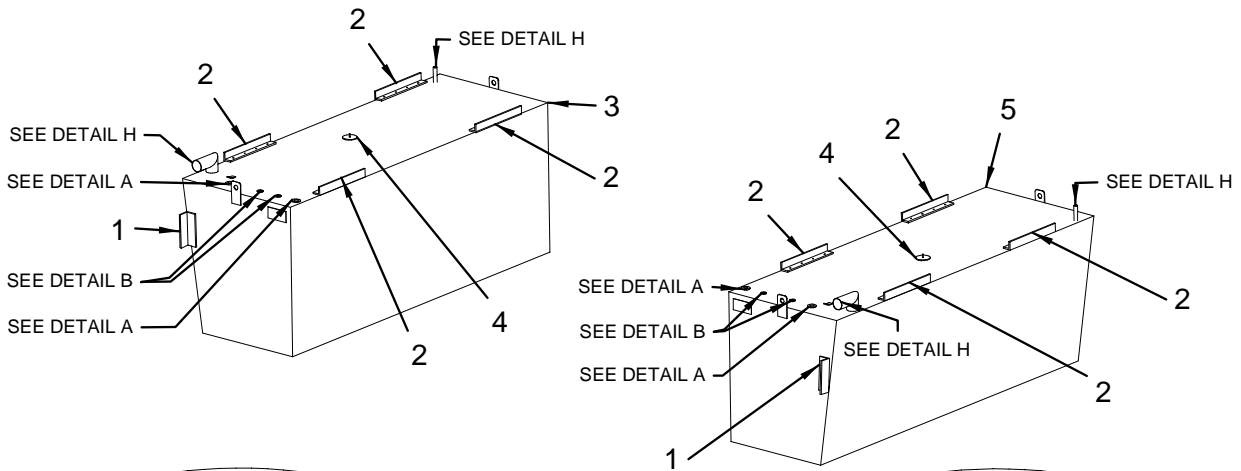
**FUEL SYSTEM (GAS)**

1	1479294	FERRULE, FUEL LINE 1/2"ISO/CE
2	170605	FITTING, BRASS 1/2"BARB/NUT
3	169920	ADAPTER, BRASS 1/4"MPT X 1/2"SAE
4	1791155	VALVE, BRASS FUEL SHUT-OFF 12V SER7000 10W (HULL#656->UP)
	1782030	VALVE, BRASS FUEL SHUT-OFF ELEC 12V SER7000 (HULL#538->655)
	224329	VALVE, BRASS FUEL SHUT-OFF ELEC 12V SKINNER (HULL#503->537)
	1791354	BRACKET, ELEC FUEL SHUT OFF A&B MOUNT (HULL#538->UP)
	306936	BRACKET, FUEL SHUT-OFF VALVE (SKINNER-ELEC) (HULL#503->537)
5	1497494	HOSE, FUEL 1/2" ISO/CE W/PLAS LINER
6	1717325	ACC PART, MERC INLINE FILTER KIT (NOTE: ORDER DIRECT FROM MERCURY MARINE)
7	169102	ELBOW, BRASS 90DEG 1/2"MPT X 1/2"SAE
8	425546	BUSHING, SS THD 1/2"FPT X 3/4"MPT
9	169821	ADAPTER, BRASS 1/2"MPT X 1/2"SAE
10	947499	HOSE, FUEL 5/8" ISO/CE
11	147595	ELBOW, BRASS 90DEG 3/8"SAE X 1/4"MPT
12	791392	BUSHING, SS THD 1/4"FPT X 3/8"MPT
13	170589	FITTING, BRASS 3/8"BARB/NUT
14	1478213	FERRULE, FUEL LINE 3/8"ISO/CE
15	1497486	HOSE, FUEL 3/8" ISO/CE W/PLAS LINER
16	140483	ADAPTER, BRASS 1/4"MPT X 3/8"SAE
17	168849	NIPPLE, BRASS 1/4"MPT X 1.5"HEX
18	148171	FILTER, FUEL/WATER SEPARATOR KIT
19	123398	CLAMP, HOSE #06M 5/16"-7/8" SS MINI
20	781807	BRACKET, PVC 2"X 2"X 6"
21	576488	BRACKET, PVC 370SS WATER TANK 15" GRAY
22	1690498	TANK, FUEL 420DA-03 167GAL PRT
	1497452	TAPE, FOAM NEOPRENE W/3M 9828 3/8"TH X 2"W
	1750247	STRAP, FUEL TANK GAS
23	1742760	SENDING UNIT, FUEL WEMA 26"
24	1690499	TANK, FUEL 420DA-03 167GAL STB
	1497452	TAPE, FOAM NEOPRENE W/3M 9828 3/8"TH X 2"W
	1750247	STRAP, FUEL TANK GAS
25	256719	CLAMP, HOSE #32 1 9/16"-2.5" SS .505
26	123752	HOSE, FUEL 2" TYPE A CLASS 2
27	1114255	DECK PLATE, GAS SS 2" RED CLR-CODE
	522581	DECK PLATE, CAP W/CHAIN
	522599	KEY, DECK PLATE CAP
28	1433176	VENT, FUEL/WATER SS 5/8" 90DEG FLSH MNT
29	256677	CLAMP, HOSE #12 1/2"-1.25" SS .505

**NOT SHOWN**

	256685	CLAMP, HOSE #16 3/4"-1.5" SS .505
	123661	CLAMP, LOOM VINYL DIP 1"
	261354	CLAMP, LOOM VINYL DIP #38 2 3/8"
	261362	CLAMP, LOOM VINYL DIP #48 3"
	629253	ELBOW, BRASS 90DEG 1/4"SAE X 1/4"MPT
	1750486	FERRULE, FUEL LINE 1/4" ISO/CE .560"X 1"
	629279	FITTING, BRASS 1/4"BARB/NUT
	1501782	HOSE, CONDUIT/SPLIT 1/2" FLAME RETARDANT
	1501824	HOSE, CONDUIT/SPLIT 3/4" FLAME RETARDANT
	1501840	HOSE, CONDUIT/SPLIT 1" FLAME RETARDANT
	1485481	HOSE, FUEL 1/4" ISO/CE W/PLAS LINER
	1744735	LABEL, FUEL SHUT-OFF (LEXAN)
	1744596	PLUG, ALUM 3/8" MPT PIPE
	1744598	PLUG, ALUM 3/4" MPT PIPE

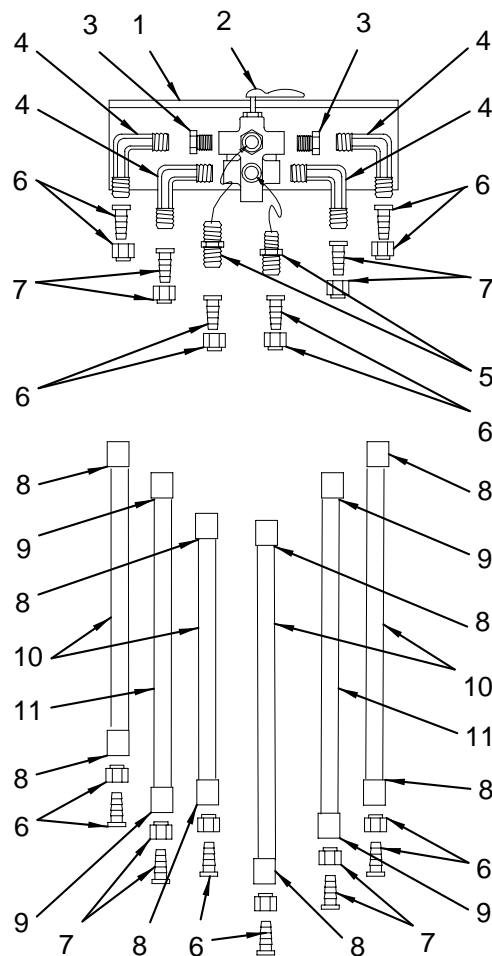
**FUEL SYSTEM (DIESEL)**



**FUEL SYSTEM (DIESEL)**

1	781807	BRACKET, PVC 2"X 2"X 6"
2	576488	BRACKET, PVC 370SS WATER TANK 15" GRAY
3	1690498	TANK, FUEL 420DA-03 167GAL PRT
4	1742760	SENDING UNIT, FUEL WEMA 26"
5	1690499	TANK, FUEL 420DA-03 167GAL STB
6	1497494	HOSE, FUEL 1/2" ISO/CE W/PLAS LINER
7	1479294	FERRULE, FUEL LINE 1/2"ISO/CE
8	170605	FITTING, BRASS 1/2"BARB/NUT
9	169821	ADAPTER, BRASS 1/2"MPT X 1/2"SAE
10	1339597	VALVE, BRZ 1/2" BALL
	211508	VALVE, BRASS 2-WAY FUEL 1/2"FPT W/MNT
11	1376037	ELBOW, BRASS 90DEG 1/2"MPT X 1/2"MPT
12	425546	BUSHING, SS THD 1/2"FPT X 3/4"MPT
13	1497486	HOSE, FUEL 3/8" ISO/CE W/PLAS LINER
14	1478213	FERRULE, FUEL LINE 3/8"ISO/CE
15	170589	FITTING, BRASS 3/8"BARB/NUT
16	147595	ELBOW, BRASS 90DEG 3/8"SAE X 1/4"MPT
17	791392	BUSHING, SS THD 1/4"FPT X 3/8"MPT
18	169524	ADAPTER, BRASS 3/8"MPT X 3/8"SAE
19	169748	ELBOW, BRASS 90DEG 1/2"SAE X 3/8"MPT
20	1524073	FILTER, REMOTE FUEL DSL (900MASR)
21	169102	ELBOW, BRASS 90DEG 1/2"MPT X 1/2"SAE
22	1524065	FILTER, REMOTE FUEL DSL (500MASR)
23	169474	ELBOW, BRASS 90DEG 3/8"SAE X 3/8"MPT
24	256719	CLAMP, HOSE #32 1 9/16"-2.5" SS .505
25	123752	HOSE, FUEL 2" TYPE A CLASS 2
26	1114263	DECK PLATE, DSL SS 2" GRN CLR-CODE
	522599	KEY, DECK PLATE CAP
	522581	DECK PLATE, CAP W/CHAIN
27	1618651	VENT, FUEL/WATER SS 5/8" 90DEG FLSH SHALLOW
28	256677	CLAMP, HOSE #12 1/2"-1.25" SS .505
29	947499	HOSE, FUEL 5/8" ISO/CE

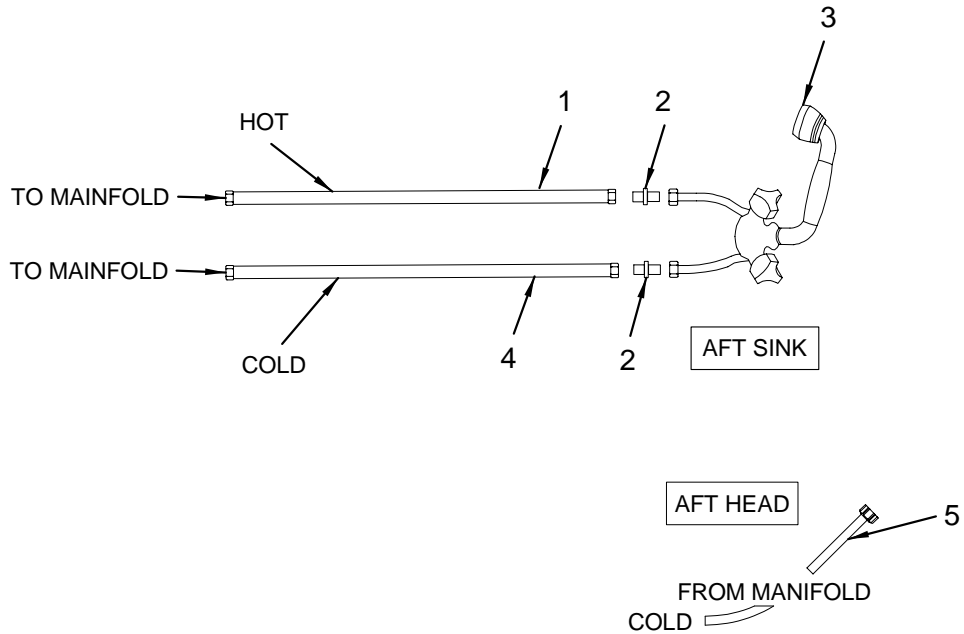
**FUEL (DISTRIBUTION SYSTEM)**



**FUEL (DISTRIBUTION SYSTEM)**

- 1 1784841 420DA 05,BOARD,FUEL DISTRIBUTION
- 1485572 PLASTIC, ULTRAMATTE 1/8"X 24"X 48" WHT/BLK
- 841411 BRACKET, 2"X 3"X 5" FUEL BOARD VALVE  
(TVD-CUMMINS 6CTA (T-417 PHP) V-DR.INBOARDS)  
(TVD-CUMMINS 480CE (T-446 PHP) V-DR.INBOARDS)
- 2 171728 VALVE, BRASS 6-WAY FUEL 1/2"
- 3 171348 BUSHING, BRASS 3/8" FPT X 1/2" MPT
- 4 169474 ELBOW, BRASS 90DEG 3/8" SAE X 3/8" MPT
- 5 169524 ADAPTER, BRASS 3/8" MPT X 3/8" SAE
- 6 170605 FITTING, BRASS 1/2" BARB/NUT
- 7 170589 FITTING, BRASS 3/8" BARB/NUT
- 8 1479294 FERRULE, FUEL LINE 1/2" ISO/CE
- 9 1478213 FERRULE, FUEL LINE 3/8" ISO/CE
- 10 1497494 HOSE, FUEL 1/2" ISO/CE W/PLAS LINER
- 11 1497486 HOSE, FUEL 3/8" ISO/CE W/PLAS LINER

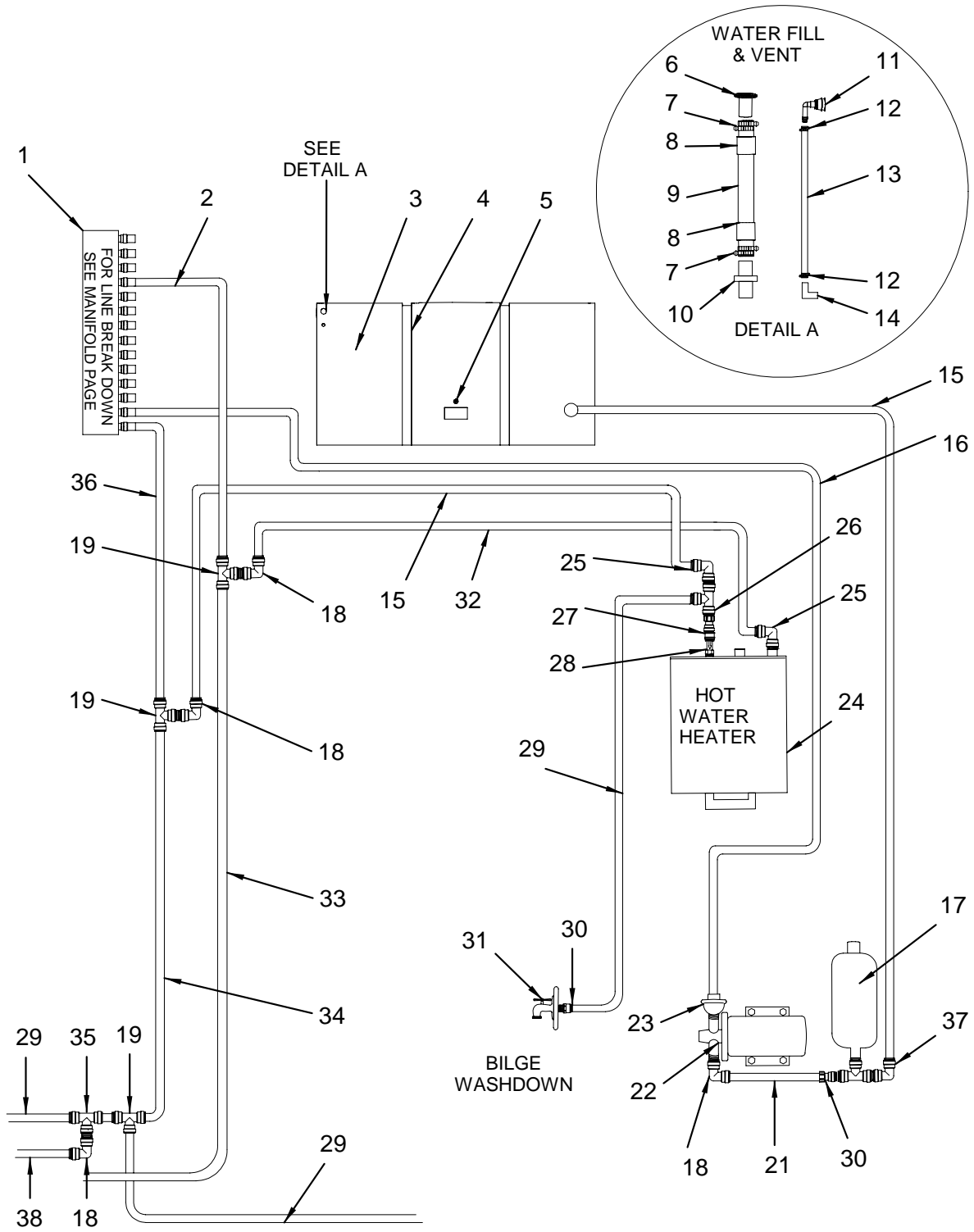
**WATER SYSTEM (AFT HEAD)**



**WATER SYSTEM (AFT HEAD)**

- 1 1689412 HOSE, UNIFLEX RED 1/2" SW/FPT PLAS 16'
- 2 1227032 ADAPTER, SEATECH BRS 1/2"NPT X 3/8"COMP FAUCT
- 3 1253095 FAUCET/SHOWER, WHT/MIX W/ON/OFF FLX TAIL
- 942466 COMPRESSION FITTING, BRASS 10MM 1/2"MPT
- 1452812 HOSE, WATER 3/8" BRAIDED METAL 14" W/ADAPTER
- 1307842 FAUCET/SHOWER, HANDSPRAY ONLY
- 1307859 FAUCET/SHOWER, HANDLE ONLY (EA)
- 1307818 FAUCET/SHOWER, CARTRIDGE ONLY
- 4 1689335 HOSE, UNIFLEX BLUE 1/2" SW/FPT PLAS 16'
- 5 1689333 HOSE, UNIFLEX BLUE 1/2" SW/FPT PLAS 11'

WATER SYSTEM (BILGE)





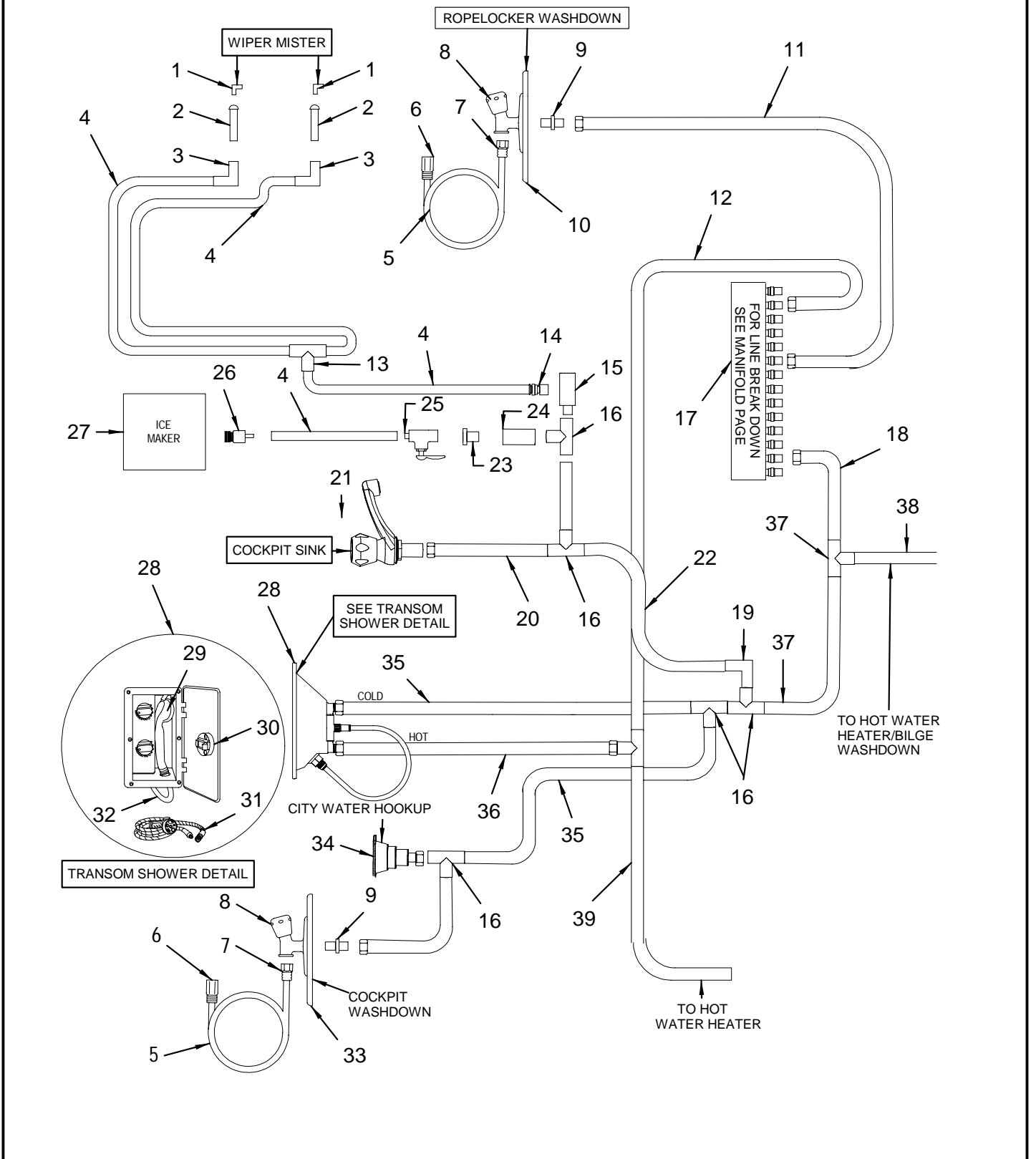
## WATER SYSTEM (BILGE)

- 1 1772638 MANIFOLD, SEATECH W/8 CLD 4 HOT VALVED
- 2 1689404 HOSE, UNIFLEX RED 1/2" SW/FPT PLAS 7'
- 3 1745024 TANK, WATER 420DA-03 - 100GAL REV 1
- 1783889 SUPPORT, 420DA WTR TANK ADJ
- 1765753 PLATE, BACKING, WATER TANK SS W/BOLTS
- 1691489 TANK, WATER 420DA-03 - 100GAL  
(TVD-CUMMINS (480CE T-446 PHP) &  
(6CTA (T-417 PHP) V-DR I/B)
- 599175 TUBE, PICK-UP WATER 20"  
(TVD-CUMMINS (480CE T-446 PHP) &  
(6CTA (T-417 PHP) V-DR I/B)
- 4 1719322 STRAP, WATER TANK 420DA-03 REV1
- 5 417592 SENDING UNIT, WATER 5-WIRE 15"
- 333393 SENDING UNIT, WATER 5-WIRE 20"  
(TVD-CUMMINS (480CE T-446 PHP) &  
(6CTA (T-417 PHP) V-DR I/B)
- 6 1109321 DECK PLATE, WATER SS BLUE CLR-CODE
- 522557 DECK PLATE, CAP W/CHAIN GAS/WATER
- 522599 KEY, DECK PLATE CAP
- 7 256693 CLAMP, HOSE #24 1"-2" SS .505
- 8 172726 HOSE CUFF, 1.5" RH WHT
- 9 490219 HOSE, CORR SAN/WATER-FILL 1.5" RH
- 10 314781 ADAPTER, NYLON 1.5"MPT X 1.5"BARB
- 11 1618651 VENT, FUEL/WATER SS 5/8" 90DEG FLSH SHALLOW
- 12 123398 CLAMP, HOSE #06M 5/16"-7/8" SS MINI
- 13 124719 HOSE, SANI/CHEMICAL TDX 5/8"
- 14 167874 ELBOW, GENOVA 1/2"MPT X 1/2"BARB X 90DEG
- 15 1719101 HOSE, UNIFLEX BLUE 1/2" SW/FPT PLAS 10'
- 16 1689310 HOSE, UNIFLEX BLUE 1/2" SW/FPT PLAS 18'
- 17 878678 TANK, ACCUMULATOR PREPRESSURE 20PSI SHURFLO
- 18 1689320 ELBOW, UNIFLEX PLAS 1/2"MPT X 1/2"FPT SWVL
- 19 1689292 TEE, UNIFLEX PLAS 1/2" MPT
- 20 141473 ADAPTER, GENOVA 1/2"MPT X 1/2"BARB
- 21 1689299 HOSE, UNIFLEX BLUE 1/2" SW/FPT PLAS 6"
- 22 1128172 PUMP, FRESH WATER SHURFLO 3.3GPM IMP
- 23 1797944 FILTER, IN-LINE WATER 1/2"MPSM X 1/2"NPSF  
(HULL#699->UP)
- 406710 FILTER, IN-LINE WATER 1/2" FPT  
(HULL#501->698)
- 24 1142504 HEATER, WATER 11 GAL 110/60 W/75-210 T&P
- 1790450 ELEMENT, HEATER WTR 11 GAL 110/60 W/75-210
- 1156736 HEATER, WATER 11 GAL 220/50 W/75-210 T&P
- 25 1429133 ELBOW, SEAFLEX BRS 1/2"MNPT X 1/2"FNPT STREET
- 26 1425198 TEE, SEAFLEX BRS 1/2"MPT
- 27 506253 COUPLING, BRASS 1/2" FPT
- 28 1791673 VALVE, ZURN 1/2" MPT X 1/2" MPT CHECKVALVE  
(HULL#605->UP)
- 1425149 VALVE, SEAFLEX BRS CHECK 1/2"MPT  
(HULL#501->604)
- 29 1689304 HOSE, UNIFLEX BLUE 1/2" SW/FPT PLAS 8'
- 30 1689293 NIPPLE, UNIFLEX PLAS 1/2" UNION
- 31 1096262 FAUCET, SILLCOCK WASHDOWN (WHITECAP)
- 1595800 BOARD, HDPE SPYCHT WASHDOWN SPIGOT
- 32 1689313 HOSE, UNIFLEX RED 1/2" SW/FPT PLAS 10'
- 33 1689316 HOSE, UNIFLEX RED 1/2" SW/FPT PLAS 15'  
(HULL#501->610)
- 34 1689332 HOSE, UNIFLEX BLUE 1/2" SW/FPT PLAS 9'
- 35 1689322 TEE, UNIFLEX PLAS 1/2"SW/FM 1/2"MPT/MPT STACK
- 36 1689303 HOSE, UNIFLEX BLUE 1/2" SW/FPT PLAS 6'
- 37 1425164 ELBOW, SEAFLEX BRS 1/2"MPT X 1/2"MPT
- 38 1689335 HOSE, UNIFLEX BLUE 1/2" SW/FPT PLAS 16'

## NOT SHOWN

- 1155803 CLAMP, HOSE #6M175 1"-1.75" SS POWER GEAR
- 1155910 CLAMP, HOSE #6M400 3.25"-4 1/8" SS POWERGEAR
- 263954 CLAMP, HOSE #10 1/2"-1 1/8" SS .505
- 697482 CLAMP, HOSE #13 7/8"-1 3/8" SS .505
- 123646 CLAMP, LOOM VINYL DIP #32 2"
- 1689323 VALVE, UNIFLEX PLAS 1/2"MPT X 1/2"MPT
- 1689327 CAP, UNIFLEX PLAS 1/2"FPT
- 1689301 HOSE, UNIFLEX BLUE 1/2" SW/FPT PLAS 2'
- 1689329 HOSE, UNIFLEX BLUE 1/2" SW/FPT PLAS 4'
- 1689315 HOSE, UNIFLEX RED 1/2" SW/FPT PLAS 12'

**WATER SYSTEM (COCKPIT)**



## WATER SYSTEM (COCKPIT)

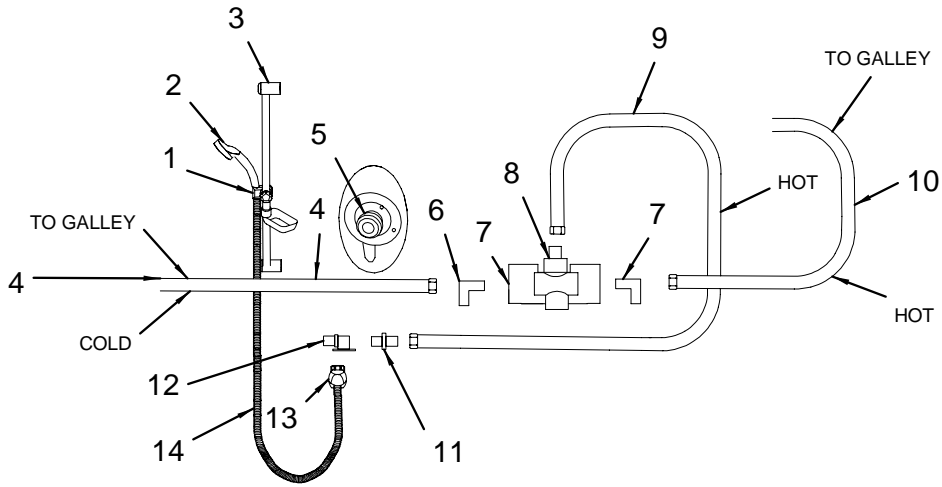
- 1 1719419 WIPER, SEATECH 2/DECK FIT WSHR KIT 90DG 12VDC  
 1599232 VALVE, SEATECH BRASS WTR 12VDC  
 1599265 TEE, SEATECH PLAS 1/4" UNION  
 1599273 ELBOW, SEATECH SS 3/16" STEM W/S WASHER  
 2 1599281 FITTING, SEATECH SS W/S WASHER DECK  
 3 1773928 ELBOW, SEATECH PLAS UNION  
 4 1215201 TUBING, SEATECH 1/4"OD X 1/8"ID X 1000' NAT'L  
 5 124446 HOSE, GARDEN 5/8" WHT  
 6 172742 HOSE, GARDEN 5/8" PLAS CONNECTOR MALE  
 7 172759 HOSE, GARDEN 5/8" PLAS CONNECTOR FEMALE  
 8 1096262 FAUCET, SILLCOCK WASHDOWN (WHITECAP)  
 9 1689293 NIPPLE, UNIFLEX PLAS 1/2" UNION  
 10 1595800 BOARD, HDPE SPYCHT WASHDOWN SPIGOT  
 11 1689345 HOSE, UNIFLEX BLUE 1/2" SW/FPT PLAS 38'  
 12 1689404 HOSE, UNIFLEX RED 1/2" SW/FPT PLAS 7'  
 13 1599265 TEE, SEATECH PLAS 1/4" UNION  
 14 1600030 VALVE, SEATECH SHUT OFF 1/4"MPT X 1/4"PUSHON  
 15 1599240 ADAPTER, SEATECH 1/4"MNPT X 1/4" PUSH-ON  
 16 1689322 TEE, UNIFLEX PLAS 1/2"SW/FM 1/2"MPT/MPT STACK  
 17 1772638 MANIFOLD, SEATECH W/8 CLD 4 HOT VALVED  
 18 1689303 HOSE, UNIFLEX BLUE 1/2" SW/FPT PLAS 6'  
 19 1689320 ELBOW, UNIFLEX PLAS 1/2"MPT X 1/2"FPT SWVL  
 20 1689300 HOSE, UNIFLEX BLUE 1/2" SW/FPT PLAS 1'  
 21 942888 FAUCET, CKPT CERAMIC TAP SWIVEL/FOLD SPOUT  
 (HULL#501->502)  
 1718686 FAUCET, SCANDVIK CKPT ENT CTR CHR  
 (HULL#503->UP)  
 22 1689335 HOSE, UNIFLEX BLUE 1/2" SW/FPT PLAS 16'  
 23 1689809 BUSHING, UNIFLEX PLAS 1/2"MPT X 1/4"FPT  
 24 1689762 COUPLING, UNIFLEX PLAS 1/2"FPT  
 25 1600030 VALVE, SEATECH SHUT OFF 1/4"MPT X 1/4"PUSHON  
 26 1689713 FITTING, BRASS 3/4"FGH X 1/4"COMP  
 (COMES WITH ICE MAKER)  
 27 864678 ICE MAKER, 23 LB WHT W/FLNGE CFC FREE 120V/60  
 1806116 LATCH, ICEMKR DOOR  
 864686 ICE MAKER, 23 LB WHT W/FLNGE CFC FREE 220V/50  
 (220 VOLT / 50 CYCLE ELECTRICAL SYSTEM)  
 1807500 ICE MAKER, 23 LB WHT W/FLNGE 220V/50 LATCH  
 (220 VOLT / 50 CYCLE ELECTRICAL SYSTEM)  
 1806112 ICE MAKER, 23 LB WHT W/FLNGE CFC FREE DOOR  
 (120/220V)  
 28 736702 FAUCET, WASHDOWN BOX W/MIXER (AQUATIK) VERT  
 1298710 FAUCET, CARTRIDGE CERAMIC 90DEG LH  
 1302504 FAUCET, CARTRIDGE CERAMIC 90DEG RH  
 29 1302603 FAUCET, WASHDOWN SPRAYER HEAD ONLY(AQUATIK)  
 30 1302587 FAUCET, WASHDOWN DOOR ONLY (AQUATIK)  
 1742646 LATCH, WASHDOWN DOOR (AQUATIK)  
 31 1302579 FAUCET, WASHDOWN SHOWER UNIT ONLY (AQUATIK)  
 32 1302595 FAUCET, WASHDOWN HOSE W/FPT ONLY(AQUATIK)  
 33 1735567 BULKHD, HDPE 420DA-03 TRANS STRG SHR PWR INLT  
 34 141168 INLET, WATER W/PRESS REGULATOR WHT  
 35 1689304 HOSE, UNIFLEX BLUE 1/2" SW/FPT PLAS 8'  
 36 1689316 HOSE, UNIFLEX RED 1/2" SW/FPT PLAS 15'  
 (HULL#501->610)  
 37 1689292 TEE, UNIFLEX PLAS 1/2" MPT  
 38 1719101 HOSE, UNIFLEX BLUE 1/2" SW/FPT PLAS 10'  
 39 1689313 HOSE, UNIFLEX RED 1/2" SW/FPT PLAS 10'

## NOT SHOWN

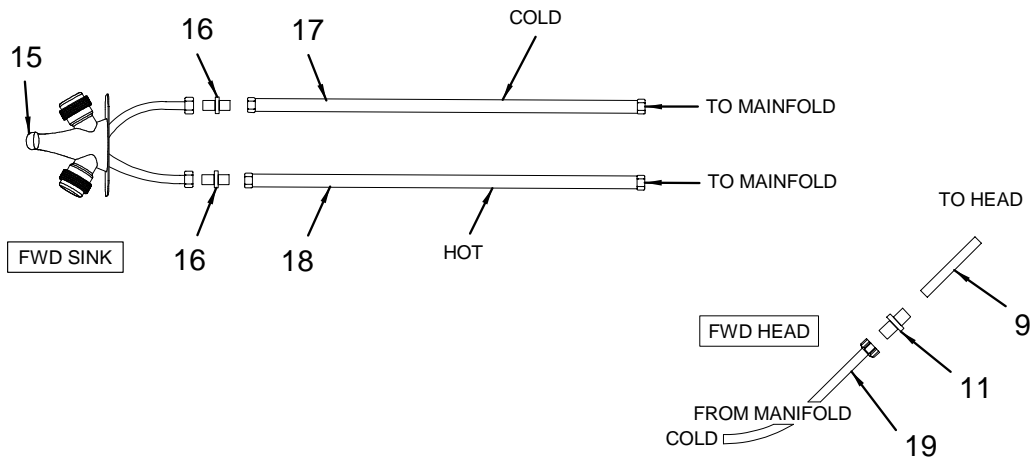
- 1144740 ADAPTER, BRASS 3/8"BSPF X 1/2"NPTM  
 (HULL#501-568)  
 327072 ADAPTER, BRASS 1/2"MPT X 5/8"BARB STRAIGHT  
 1429133 ELBOW, SEAFLEX BRS 1/2"MNPT X 1/2"FNPT STREET  
 1429125 NIPPLE, SEAFLEX BRS 1/2"MPT HEX 3"LONG  
 1425156 NIPPLE, SEAFLEX BRS 1/2"MPT LONG  
 1425198 TEE, SEAFLEX BRS 1/2"MPT

**WATER SYSTEM (FORWARD HEAD)**

STARBOARD SIDE



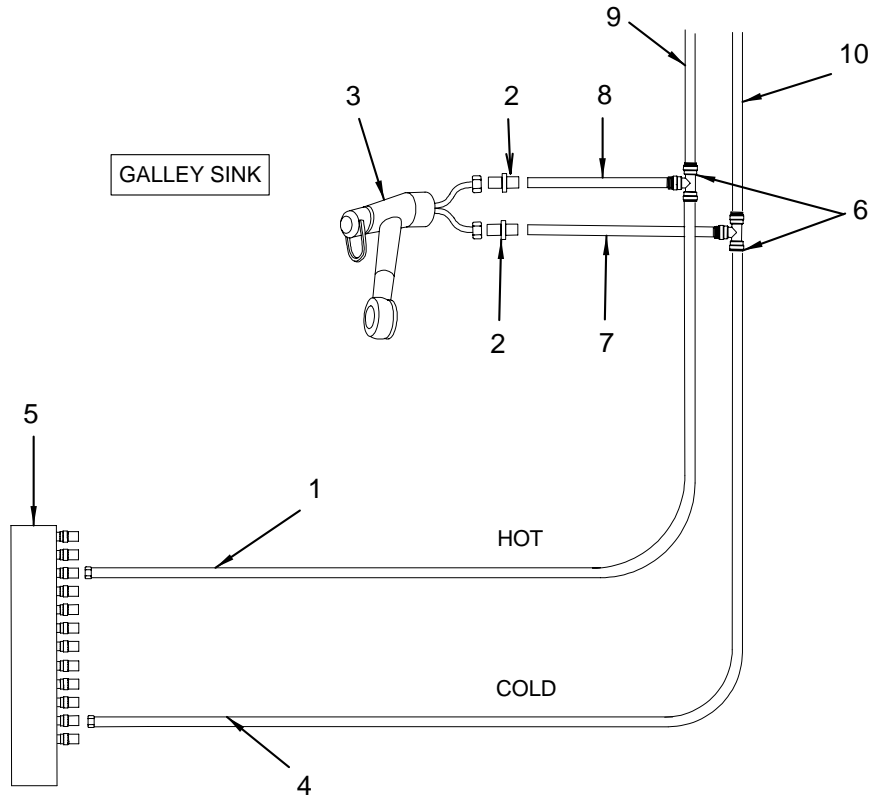
PORT SIDE



**WATER SYSTEM (FORWARD HEAD)**

1	1740886	MOUNT, HDPE SHOWER WALL (MNT ONLY)
2	916205	SHOWER, HAND HELD ANGLED RELEXA PLUS
3	916213	SHOWER BAR, SLIDE BAR 24" CHR (GROHE)
4	1719115	HOSE, UNIFLEX BLUE 1/2" SW/FPT PLAS 5'
5	1429588	FAUCET, PRESS BAL VALVE TRIM EUROPLUS II
6	1425164	ELBOW, SEAFLEX BRS 1/2"MPT X 1/2"MPT
7	1275890	BRACKET, ALUM GROHE SHOWER MIXER MNT
8	1523349	FAUCET, BATH MIXER BRASS 3-WAY
9	1733200	HOSE, UNIFLEX BLUE 1/2" STRGHT/STRGHT 48"
10	1689402	HOSE, UNIFLEX RED 1/2" SW/FPT PLAS 5'
11	288415	NIPPLE, BRASS 1/2"MPT X 1.5"
12	1769585	FITTING, SEAFLEX ALL BRS SHWR W/FLNG 1/2"
13	900373	SHOWER, UNION FIXTURE CHR
14	916221	SHOWER, HOSE ASSY ONLY RELEXAFLEX CHR
15	1740969	FAUCET, LAV TALIA CTRSET SAT/NKL W/DRAIN
16	1227032	ADAPTER, SEATECH BRS 1/2"NPT X 3/8"COMP FAUCT
17	1689310	HOSE, UNIFLEX BLUE 1/2" SW/FPT PLAS 18'
18	1689317	HOSE, UNIFLEX RED 1/2" SW/FPT PLAS 18'
19	1733200	HOSE, UNIFLEX BLUE 1/2" STRGHT/STRGHT 48"

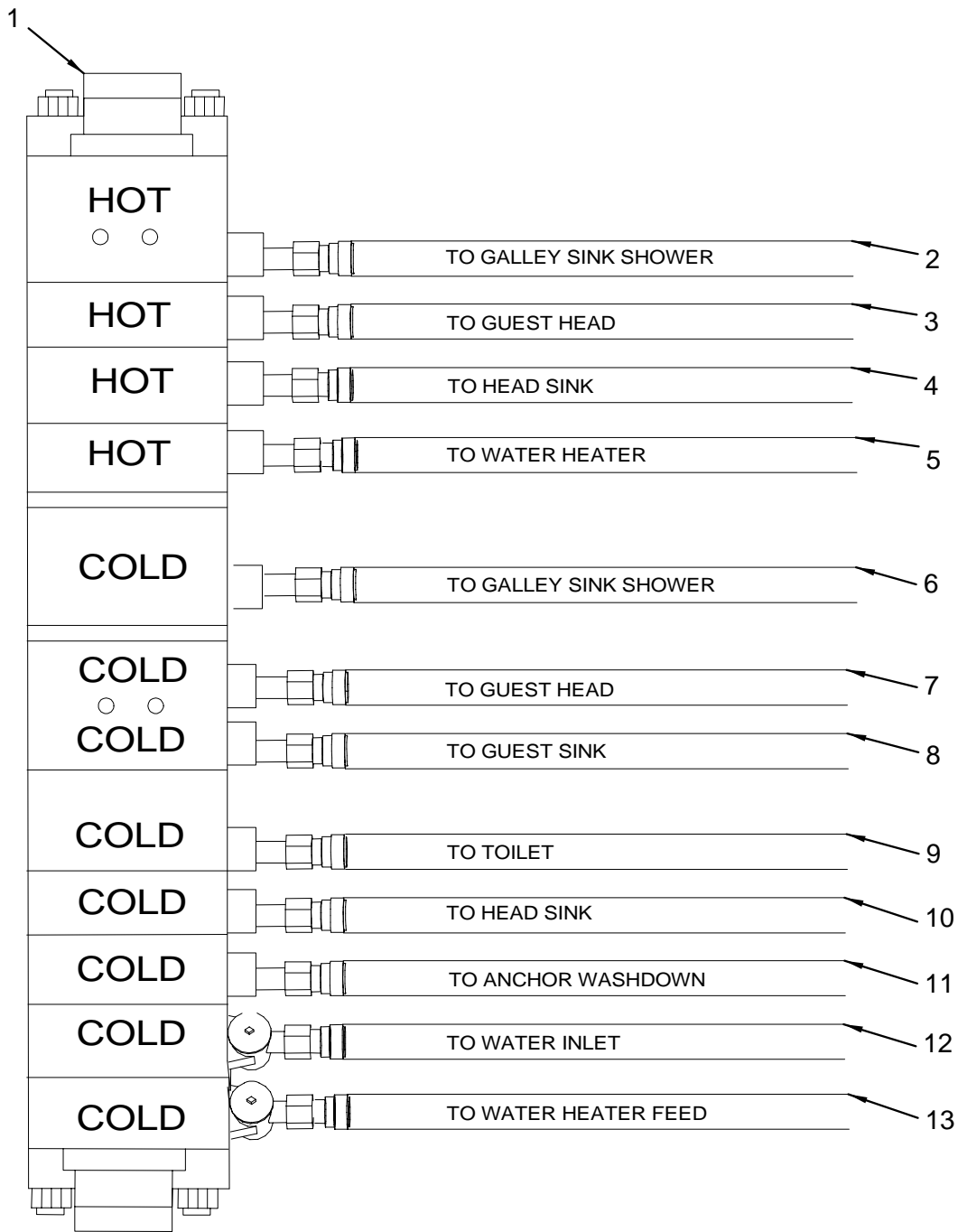
**WATER SYSTEM (GALLEY)**



**WATER SYSTEM (GALLEY)**

- 1 1689317 HOSE, UNIFLEX RED 1/2" SW/FPT PLAS 18'
- 2 1227032 ADAPTER, SEATECH BRS 1/2"NPT X 3/8"COMP FAUCT
- 3 1754620 FAUCET, GALLEY "ALIRA" P/O SPRAY SS
- 4 1689310 HOSE, UNIFLEX BLUE 1/2" SW/FPT PLAS 18'
- 5 1772638 MANIFOLD, SEATECH W/8 CLD 4 HOT VALVED
- 6 1689292 TEE, UNIFLEX PLAS 1/2" MPT
- 7 1689300 HOSE, UNIFLEX BLUE 1/2" SW/FPT PLAS 1'
- 8 1689397 HOSE, UNIFLEX RED 1/2" SW/FPT PLAS 1'
- 9 1689402 HOSE, UNIFLEX RED 1/2" SW/FPT PLAS 5'
- 10 1719115 HOSE, UNIFLEX BLUE 1/2" SW/FPT PLAS 5'

**WATER SYSTEM (MANIFOLD)**

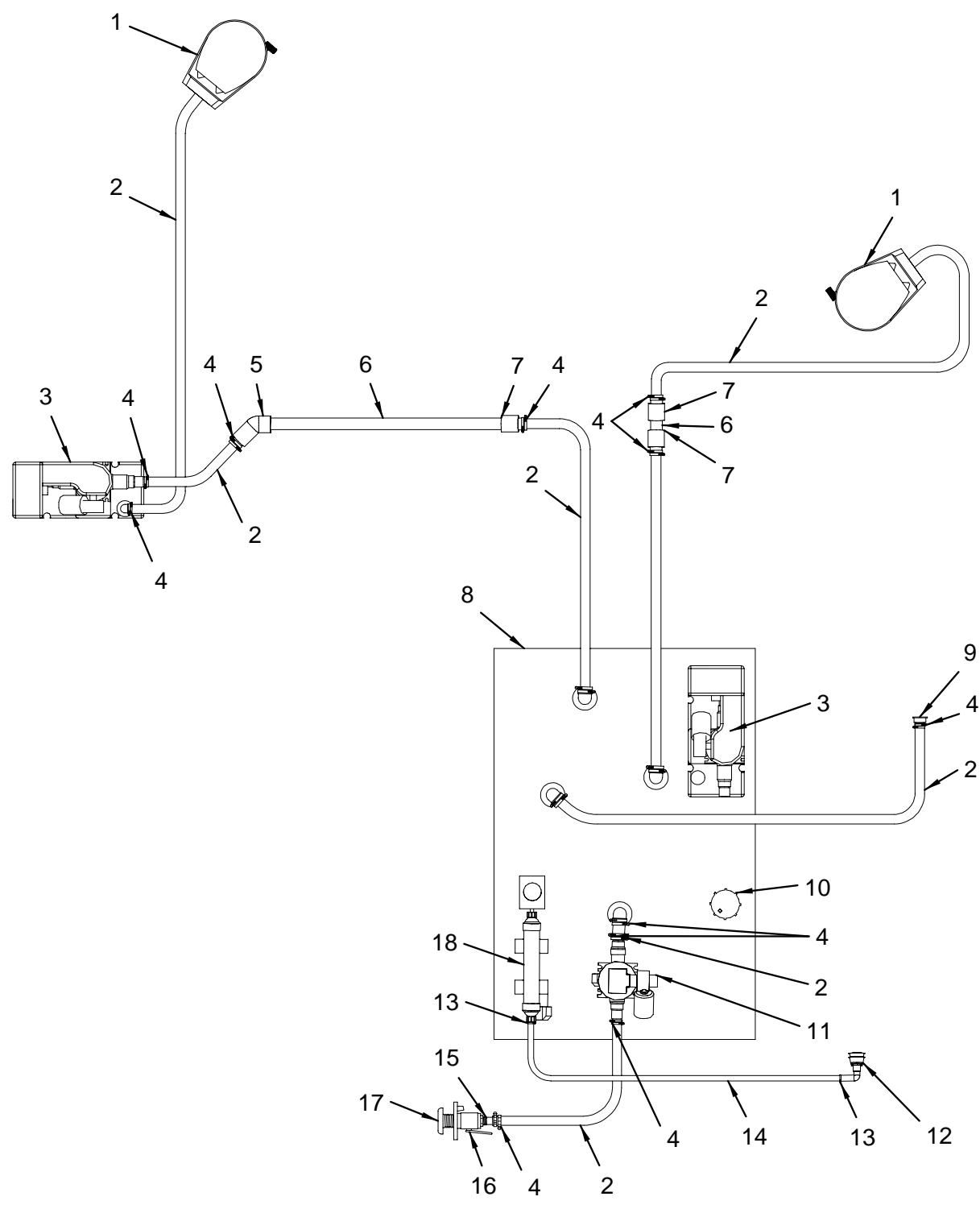


**WATER SYSTEM (MANIFOLD)**

- 1 1772638 MANIFOLD, SEATECH W/8 CLD 4 HOT VALVED
- 2 1689317 HOSE, UNIFLEX RED 1/2" SW/FPT PLAS 18'
- 3 1689412 HOSE, UNIFLEX RED 1/2" SW/FPT PLAS 16'
- 4 1689317 HOSE, UNIFLEX RED 1/2" SW/FPT PLAS 18'
- 5 1689404 HOSE, UNIFLEX RED 1/2" SW/FPT PLAS 7'
- 6 1689310 HOSE, UNIFLEX BLUE 1/2" SW/FPT PLAS 18'
- 7 1689333 HOSE, UNIFLEX BLUE 1/2" SW/FPT PLAS 11'
- 8 1689335 HOSE, UNIFLEX BLUE 1/2" SW/FPT PLAS 16'
- 9 1689333 HOSE, UNIFLEX BLUE 1/2" SW/FPT PLAS 11'
- 10 1689310 HOSE, UNIFLEX BLUE 1/2" SW/FPT PLAS 18'
- 11 1689345 HOSE, UNIFLEX BLUE 1/2" SW/FPT PLAS 38'
- 12 1689310 HOSE, UNIFLEX BLUE 1/2" SW/FPT PLAS 18'
- 13 1689303 HOSE, UNIFLEX BLUE 1/2" SW/FPT PLAS 6'



SEWAGE SYSTEM



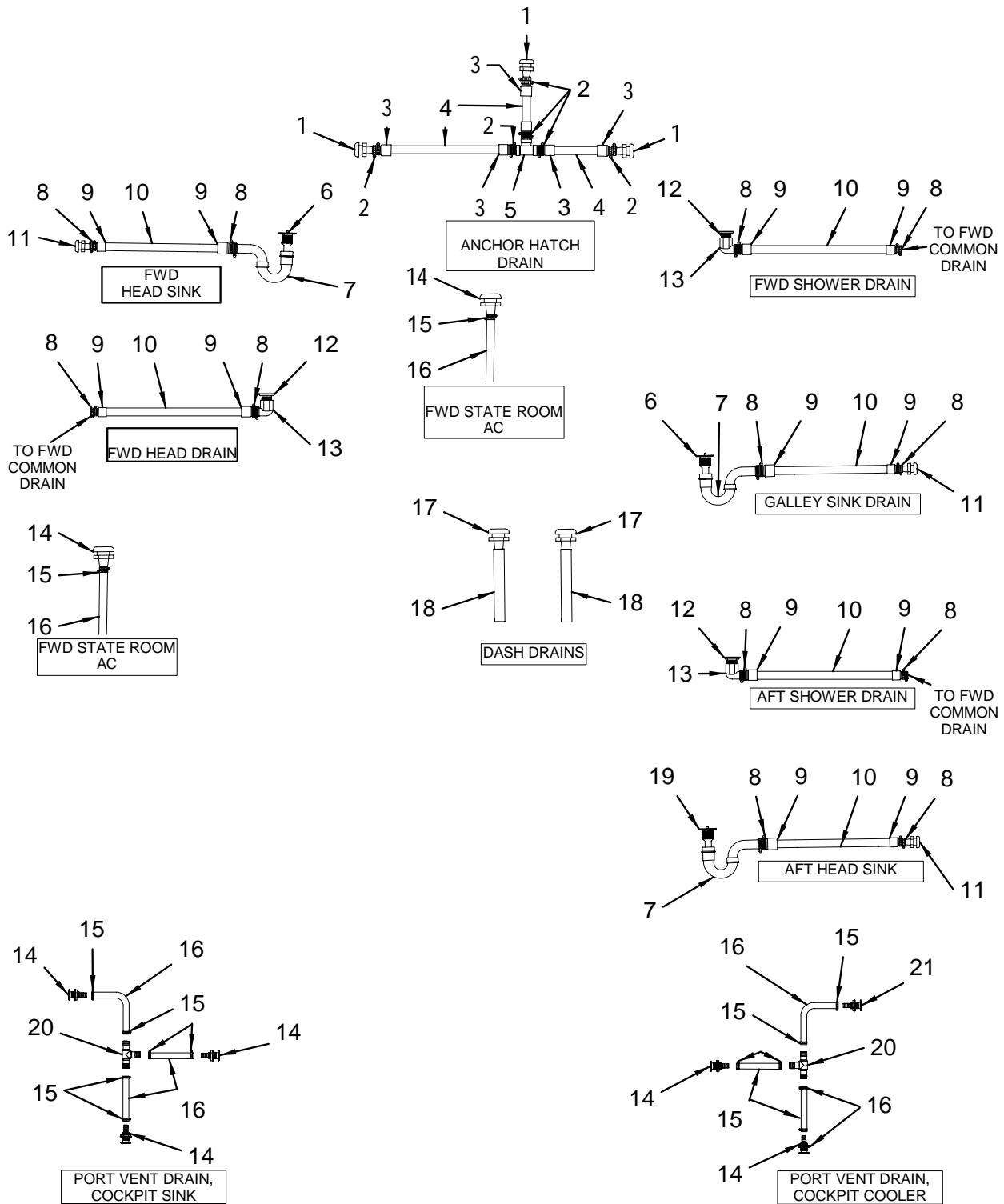
## SEWAGE SYSTEM

1	1744868	HEAD, VACU-FLUSH BONE 1006 BTM DIS WOOD
	1784547	SEAT ASSY, CVR/SEAT/HNG PIN BONE
2	846899	HOSE, SANI 1.5" PREMIUM RBR BLK
3	1590868	VACUUM GEN, HEAD SYS PUMP/SHTDWN RELAY 12VDC
4	256693	CLAMP, HOSE #24 1"-2" SS .505
5	168179	ELBOW, PVC 1.5"FM SLIP X 1.5"FM SLIP 90DEG
	184101	ADAPTER, PVC 1.5"OD X 1.5"ID SLIP
6	149757	PIPE, PVC SCH 40 BOE PIPE 1.5"
7	168591	COUPLING, PVC 1.5"FM SLIP
	184101	ADAPTER, PVC 1.5"OD X 1.5"ID SLIP
8	1733242	TANK, HOLDING 42 GAL HTS W/12V VAC GEN W/RLAY
	1285600	ELBOW KIT, 1.5" HOLDING TANK INLET KIT
	1413616	TANK, HOLDING NEW OWNERS GIFT PACK
9	1752438	DECK PLATE, WASTE SS BLK CLR-CODE W/INT SYMBL
	522581	DECK PLATE, CAP W/CHAIN
	522599	KEY, DECK PLATE CAP
10	1740503	SENDING UNIT, HOLD TANK CAP FOR MRRP 1733242
11	1302058	PUMP, HEAD SYS MACERATOR W/RELAY/CONN 12V <b>(MACERATOR W/ SEACOCK INTERLOCK SYSTEM)</b>
	134858	PUMP, HEAD SYS MACERATOR
12	1618651	VENT, FUEL/WATER SS 5/8" 90DEG FLSH SHALLOW
13	256677	CLAMP, HOSE #12 1/2"-1.25" SS .505
14	124719	HOSE, SANI/CHEMICAL TDX 5/8"
15	518472	TAILPIECE, BRZ 1.5"MPT X 1.5"BARB <b>(MACERATOR W/ SEACOCK INTERLOCK SYSTEM)</b>
16	518456	SEACOCK, BRZ 1.5" W/O TAILPIECE <b>(MACERATOR W/ SEACOCK INTERLOCK SYSTEM)</b>
	1302116	SWITCH, SEACOCK INTERLOCK W/60" LEADS/CONN <b>(MACERATOR W/ SEACOCK INTERLOCK SYSTEM)</b>
17	579870	THRU-HULL, BRZ 1.5" W/O NUT <b>(MACERATOR W/ SEACOCK INTERLOCK SYSTEM)</b>
18	134759	FILTER, HEAD TREATMENT SYSTEM <b>(MACERATOR W/ SEACOCK INTERLOCK SYSTEM)</b>

## NOT SHOWN

	1470442	ADAPTER, KIT HOSE/CAP 1.5"
	196683	ADAPTER, PVC 1"MPT X 1"BARB
	123646	CLAMP, LOOM VINYL DIP #32 2"
	196717	ELBOW, PVC 1.5"FLANGE X 3/4"MPT X 90DEG

**DRAINAGE SYSTEM (DRAINS)**



**DRAINAGE SYSTEM (DRAINS)**

1	1687508	THRU-HULL, SS 1 1/8" X 1 1/8" BARB
2	256685	CLAMP, HOSE #16 3/4"-1.5" SS .505
3	466615	HOSE CUFF, 1" RH WHT
4	466664	HOSE, CORR VAC 1" RH
5	280206	TEE, PVC 1" BARB (HULL#583->UP)
	354886	TEE, PVC 1" BARB X 1" BARB X 1" BARB (HULL#501->582)
6	175687	DRAIN, SINK STRAINER 2.5" SS W/5/8" BARB
7	162453	DRAIN, P-TRAP ASSY W/CONN 1.25"-1.50" (HULL#501->631)
8	256693	CLAMP, HOSE #24 1"-2" SS .505
9	172726	HOSE CUFF, 1.5" RH WHT
10	490219	HOSE, CORR SAN/WATER-FILL 1.5" RH
11	1521426	THRU-HULL, SS 1.5" X 1.5" BARB
12	196782	DRAIN ASSY, SHOWER 1.5"
	344762	DRAIN ASSY, SHOWER SLIP NUT 1.5"
	196733	WASHER, RBR GASKET FLAT 1.5"
	892042	NUT, BRASS DRAIN SLIP 1.5"
13	168179	ELBOW, PVC 1.5" FM SLIP X 1.5" FM SLIP 90DEG
14	124487	THRU-HULL, PLAS 5/8" WHT
15	123398	CLAMP, HOSE #06M 5/16"-7/8" SS MINI
16	1058957	HOSE, WATER A/C WHT 5/8"
17	1195478	DRAIN, PUSH IN 3/8" BLK
18	511592	HOSE, PVC CLEAR 5/16"
19	146175	DRAIN ASSY, 1.25" DRAIN W/PLUG PLASTIC
	1256593	DRAIN ASSY, STOPPER 1.25" CHR/PLT
20	167411	TEE, PVC 1/2" ALL BARB
21	1734471	DRAIN, FITTING 3/4" D X 1.5" L WHT PLAS

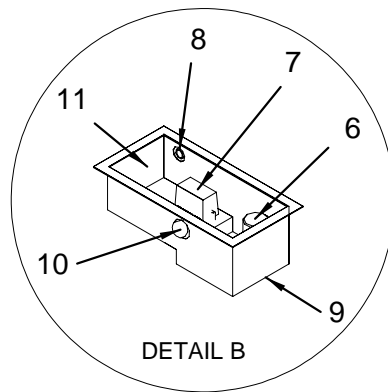
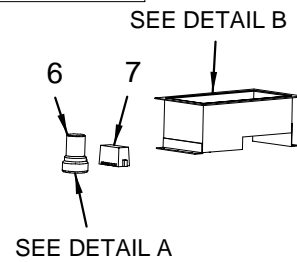
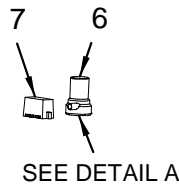
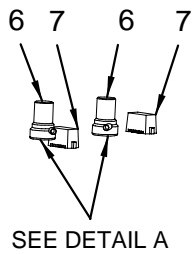
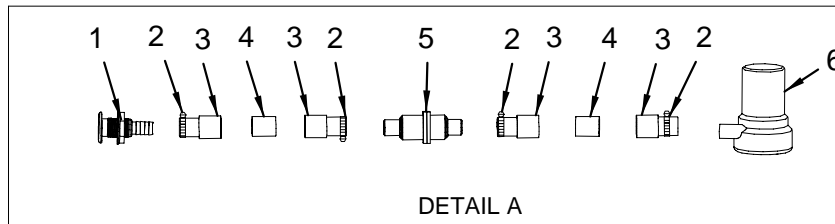
**LABELS**

1745517	LABEL, 1/2" X 1.5" DISCHARGE
1745160	LABEL, 1/2" X 1.5" SHWR DRAIN

**NOT SHOWN**

196683	ADAPTER, PVC 1" MPT X 1" BARB
1741104	ELBOW, ACETAL 1 3/8"-12" THD X 1 1/8" ID HOSE
1734473	ELBOW, CONN 3/4"-14 X 3/4" BARB WHT PLAS
1442623	HOSE, CONDUIT/NON-SPLIT 3/8" BLK
132258	HOSE CUFF, 3/4" RH
124347	HOSE, PVC CLEAR 3/8"
141523	TEE, PVC 3/4" BARB X 3/4" BARB X 3/4" BARB
1741105	THRU-HULL, ACETAL 1 3/8"-12 THD X 1 1/8 ID
326009	THRU-HULL, PLAS 2" WHT (FULL THREAD)
1777884	FITTING, PLAS UNION 3/8" BARB X 1/2" BARB

**DRAINAGE SYSTEM (BILGE PUMP AND SUMP)**



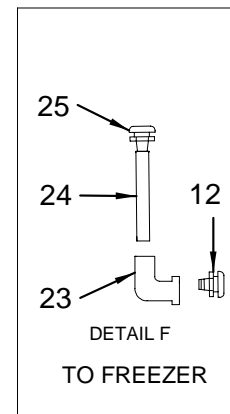
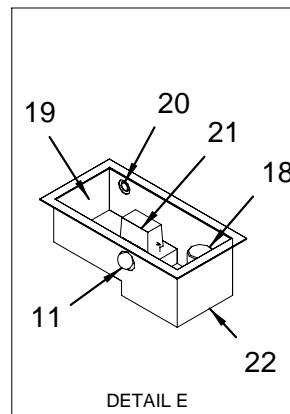
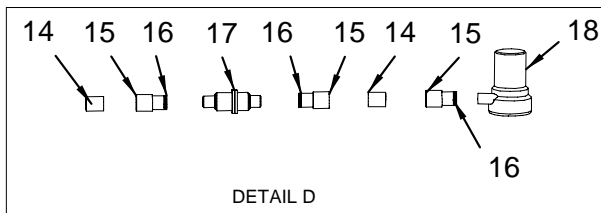
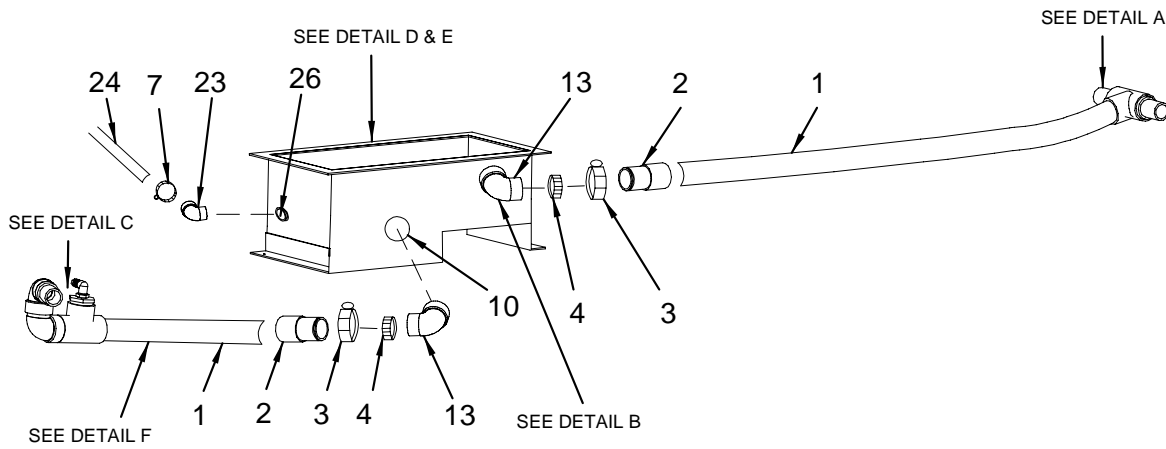
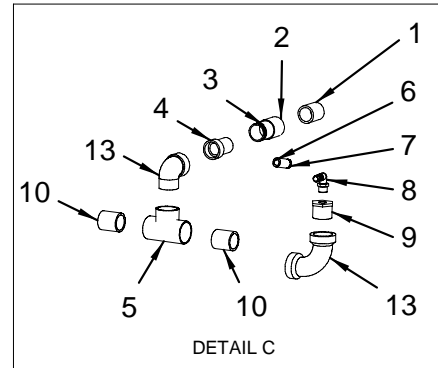
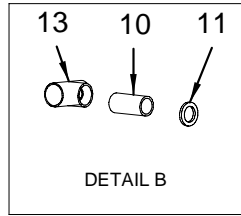
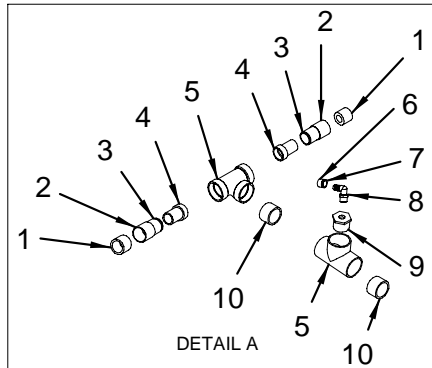
**DRAINAGE SYSTEM (BILGE PUMP AND SUMP)**

- 1 1687508 THRU-HULL, SS 1 1/8"X 1 1/8"BARB
- 2 123414 CLAMP, HOSE #12M 5/8"-1.25" SS MINI
- 3 466615 HOSE CUFF, 1" RH WHT
- 4 466664 HOSE, CORR VAC 1" RH
- 5 555375 VALVE, CHECK WHALE 1"- 1.5"
- 6 125443 PUMP, BILGE 2000GPH
- 7 1193671 SWITCH, FLOAT RULE W/CVR
- 8 1521426 THRU-HULL, SS 1.5"X 1.5"BARB
- 9 1597822 SHOWER, SUMP BLANK WMNT HDWR/FLANGE/SCW SCKT
- 1744904 GASKET, SHWR SUMP
- 10 1367689 GROMMET, 1.5" UNISEAL
- 11 791475 LID, PLEX 12" X 23 5/8" SHOWER SUMP

**NOT SHOWN**

- 123638 CLAMP, LOOM VINYL DIP 1.5"
- 123877 HOSE, CORR SANWATER-FILL 3/4"

**DRAINAGE SYSTEM (FORWARD COMMON DRAIN)**



**DRAINAGE SYSTEM (FORWARD COMMON DRAIN)**

1	490219	HOSE, CORR SAN/WATER-FILL 1.5" RH
2	172726	HOSE CUFF, 1.5" RH WHT
3	256693	CLAMP, HOSE #24 1"-2" SS .505
4	184101	ADAPTER, PVC 1.5"OD X 1.5"ID SLIP
5	167502	TEE, PVC 1.5"FM SLIP
6	1058957	HOSE, WATER A/C WHT 5/8"
7	123398	CLAMP, HOSE #06M 5/16"-7/8" SS MINI
8	167635	ELBOW, PVC 1/2"BARB X 1/2"DEG SLIP
9	1412543	BUSHING, PVC 1.5"ID SLIP X 1/2"ID FPT
10	149757	PIPE, PVC SCH 40 BOE PIPE 1.5"
11	1367689	GROMMET, 1.5" UNISEAL
12	182964	THRU-HULL, PLAS 3/4" WHT
13	168179	ELBOW, PVC 1.5"FM SLIP X 1.5"FM SLIP 90DEG
14	466664	HOSE, CORR VAC 1" RH
15	466615	HOSE CUFF, 1" RH WHT
16	256677	CLAMP, HOSE #12 1/2"-1.25" SS .505
17	555375	VALVE, CHECK WHALE 1" - 1.5"
18	125443	PUMP, BILGE 2000GPH
19	791475	LID, PLEX 12" X 23 5/8" SHOWER SUMP
20	1521426	THRU-HULL, SS 1.5"X 1.5"BARB
21	1193671	SWITCH, FLOAT RULE W/CVR
22	1597822	SHOWER, SUMP BLANK W/MNT HDWR/FLANGE/SCW SCKT
	1744904	GASKET, SHWR SUMP
23	1734473	ELBOW, CONN 3/4"-14 X 3/4" BARB WHT PLAS
24	511592	HOSE, PVC CLEAR 5/16"
25	1195478	DRAIN, PUSH IN 3/8" BLK

**NOT SHOWN**

12	132258	HOSE CUFF, 3/4"RH
----	--------	-------------------



**CAPTAIN'S NAVY CANVAS**

- 1752556 HELMSEAT, YACHT-04 W/SHORE NAVY
- 1752651 INSERT, 34X28 SSW 1/4"LAM W/8.5"NAVY SCPT
- 1781215 INSERT, 60X24 SSW W/NAVY SCRIPT
- 1761794 VINYL, DADE SHORE NAVY EXP FLAT
- 1760789 VINYL, SLIT 1.5" DADE SHORE NAVY EXP FLAT

**TVD-CUMMINS 6CTA (T-417 PHP) V-DR.INBOARDS**

- 679324 ACTUATOR, ROCK BLK W/BLUE LENS ACCY
- 1719362 ACTUATOR, ROCK CLEAR LENS ACCY
- 169821 ADAPTER, BRASS 1/2"MPT X 1/2"SAE
- 1746452 ADAPTER, BRASS 1/2"SAE X 3/8"FPT
- 140483 ADAPTER, BRASS 1/4"MPT X 3/8"SAE
- 780338 ADAPTER, BRASS 1/8"MPT X 3/8"BARB
- 169524 ADAPTER, BRASS 3/8"MPT X 3/8"SAE
- 1186337 BATTERY, GROUP 31 DEEP CYCLE
- 1747161 BLOCK, DSL PEDESTAL MOUNT
- 1719361 BODY, ROCK SW SPDT W/IND LAMP 12V
- 648097 BODY, ROCK SW SPST BLK 12V INCAND
- 1687657 BOOT, BATTERY CABLE 4/0 BLK 11/16" T-LUG
- 140509 BOOT, ENG STARTER RED
- 1785683 BOX, HDPE 420DA-05 NOISE SUPPRESSSION CUMMINS
- 841411 BRACKET, 2"X 3"X 5" FUEL BOARD VALVE
- 186221 BRACKET, ALUM 1.5"X 1.5"X 1.5" SUPPORT
- 1232214 BRACKET, PVC 2"X 2"X 3.5" WHT
- 576488 BRACKET, PVC 370SS WATER TANK 15" GRAY
- 1424308 BRKR/ROCK, SGL-POLE C-SER MNL RSET AC/DC 15A
- 1424316 BRKR/ROCK, SGL-POLE C-SER MNL RSET AC/DC 20A
- 1424381 BRKR/ROCK, SGL-POLE C-SER MNL RSET AC/DC 50A
- 1424274 BRKR/ROCK, SGL-POLE C-SER MNL RSET AC/DC 5A
- 1424407 BRKR/ROCK, SGL-POLE C-SER MNL RSET AC/DC 60A
- 1508142 BRKR/ROCK, SGL-POLE C-SER MNL RSET AC/DC 6A
- 171348 BUSHING, BRASS 3/8"FPT X 1/2"MPT
- 425546 BUSHING, SS THD 1/2"FPT X 3/4"MPT
- 791392 BUSHING, SS THD 1/4"FPT X 3/8"MPT
- 130807 CABLE, BATT BLK #2/0AWG
- 184051 CABLE, BATT RED #2/0AWG
- 136051 CABLE, BATT RED #4/0AWG
- 1336015 CABLE, CONTROL TELEFLEX TFXXTREME 23'
- 1335967 CABLE, CONTROL TELEFLEX TFXXTREME 29'
- 622225 CAP, HOLE WHT 2.5"
- 417998 CLAMP, HOSE #04M 1/4"-5/8" SS MINI
- 123398 CLAMP, HOSE #06M 5/16"-7/8" SS MINI
- 256693 CLAMP, HOSE #24 1"-2" SS .505
- 1155894 CLAMP, HOSE #6M250 1.75"-2.5/8" SS POWERGEAR
- 1751315 CLAMP, HOSE #6M350 2.75"X 3 5/8" SS POWERGEAR
- 1155951 CLAMP, HOSE #6M900 8.25"-9 1/8" SS POWERGEAR
- 123661 CLAMP, LOOM VINYL DIP 1"
- 123638 CLAMP, LOOM VINYL DIP 1.5"
- 643445 CONN, BATT LUG 2/0 POS W/NUT/BOLT 5/16 X 1.5
- 518738 CONN, BATT LUG 2/0GA NEG T-TYPE
- 497917 CONN, BUTT 12/10GA INS W/INS GRIP
- 155002 CONN, BUTT 12/10GA N/L
- 154997 CONN, BUTT 16/14GA H/SHRINK
- 155010 CONN, BUTT 16/14GA H/SHRINK
- 203513 CONN, RING 12/10GA X 1/2R W/INSUL
- 154906 CONN, RING 12/10GA X 8R W/INSUL
- 153999 CONN, RING 16/14GA X 8R W/INSUL
- 1733862 CONN, RING 2/0GA X 5/16R 90DEG FLAT BEND B/C
- 1094820 CONN, RING 2GA X 1/2R TIN PLTD CLSD END
- 793356 CONN, RING 4/0GA X 1/2R 1.15 BARE PLTD CLSD
- 1415314 CONN, RING 4/0GA X 1/2R 90DEG FLAT BEND B/C
- 467035 CONN, RING 8GA X 1/2R .810 W/INSUL SS
- 632166 CONN, RING 8GA X 5/16R W/INSUL
- 211516 CONN, ROMEX METAL 1.5"
- 1290212 CONTROL, BALL JOINT
- 1148139 CONTROL, CLAMP/SHIM KIT
- 1413863 CONTROL, ELECTRIC SHIFT SWITCH FOR SRB
- 1073758 CONTROL, NEUTRAL SAFETY SWITCH
- 1114263 DECK PLATE, DSL SS 2" GRN CLR-CODE
- 1376037 ELBOW, BRASS 90DEG 1/2"MPT X 1/2"MPT
- 169102 ELBOW, BRASS 90DEG 1/2"MPT X 1/2"SAE
- 169748 ELBOW, BRASS 90DEG 1/2"SAE X 3/8"MPT
- 147595 ELBOW, BRASS 90DEG 3/8"SAE X 1/4"MPT
- 169474 ELBOW, BRASS 90DEG 3/8"SAE X 3/8"MPT
- 755934 ELBOW, BRZ 45DEG 2"MPT X 2"BARB
- 167874 ELBOW, GENOVA 1/2"MPT X 1/2"BARB X 90DEG
- 506931 ELBOW, RED BRASS 90DEG 2"MPT X 2"BARB
- 1215581 EXHAUST, BRZ UW/EXH OUTLET DSL 99
- 1690999 EXHAUST, EL 8"OD OUTLET AFT PRT 420DA/SDB
- 1691001 EXHAUST, EL 8"OD OUTLET AFT STB 420DA/SDB

**TVD-CUMMINS 6CTA (T-417 PHP) V-DR.INBOARDS (continued)**

- 1691007 EXHAUST, EL 8"X 88.5" 91DEG 420DA
- 1688058 EXHAUST, HOSE HUMP 8"X 6" BLUE VHT W/CLAMPS
- 1780098 EXHAUST, TUBE 420DA W/CRUSH SLEEVE
- 1479294 FERRULE, FUEL LINE 1/2"ISO/CE
- 1478213 FERRULE, FUEL LINE 3/8"ISO/CE
- 1524065 FILTER, REMOTE FUEL DSL (500MASR)
- 1524073 FILTER, REMOTE FUEL DSL (900MASR)
- 170605 FITTING, BRASS 1/2"BARB/NUT
- 170589 FITTING, BRASS 3/8"BARB/NUT
- 630822 FUSE HOLDER, 6-FUSE BREAK-AWAY STRIP
- 813915 FUSE, FERRULE TYPE AGC 7.5A
- 1767751 GAUGE, ENG SYNC 2" MLSS W/PIGTL
- 1291335 GAUGE, OIL PRESS 0-100 2" 12V MLSS A/F
- 1767752 GAUGE, TACH/LCDHOUR 5"4K MAG P/U 12V W/PIGTL
- 1767753 GAUGE, TELE 4/1 SR-5"100PSI 240F V/F STB PGTL
- 1291277 GAUGE, VOLTMETER 10-16 MLSS A/F
- 1291483 GAUGE, WATER TEMP 240 DEG 12V MLSS A/F
- 1727712 GENERATOR, 9.0 MDKAV DSL ONAN 120V/60HZ
- 1148857 HALON SYS, ENG INTRUPT/RESTRT 12V 5-CKT
- 1737661 HARNESS, 420DA-03 ENG DSL CUM 6CTA 8.3M
- 672733 HARNESS, DASH SYNC 12'
- 672725 HARNESS, SYNC PORT/STBD DASH 12'
- 1429190 HEAT SHRINK, TUBING BLK 1"X 4'
- 1429174 HEAT SHRINK, TUBING BLK 3/4"X 4'
- 1429208 HEAT SHRINK, TUBING RED 1"X 4'
- 1429182 HEAT SHRINK, TUBING RED 3/4"X 4'
- 172726 HOSE CUFF, 1.5" RH WHT
- 1502202 HOSE, CONDUIT/SPLIT 2" FLAME RETARDANT
- 1501832 HOSE, CONDUIT/SPLIT 3/8" FLAME RETARDANT
- 123901 HOSE, CORR BILGE 1 1/8" BLK
- 490219 HOSE, CORR SAN/WATER-FILL 1.5" RH
- 913053 HOSE, EXHAUST 2" CORR HW
- 968933 HOSE, EXHAUST 3" CORR
- 1691006 HOSE, EXHAUST P/C 8"ID X 12" SW
- 1497494 HOSE, FUEL 1/2" ISO/CE W/PLAS LINER
- 123752 HOSE, FUEL 2" TYPE A CLASS 2
- 1497486 HOSE, FUEL 3/8" ISO/CE W/PLAS LINER
- 196667 HOSE, GEN PURPOSE 1"
- 123810 HOSE, GEN PURPOSE 3/4"
- 846899 HOSE, SANI 1.5" PREMIUM RBR BLK
- 124719 HOSE, SANI/CHEMICAL TDX 5/8"
- 1689335 HOSE, UNIFLEX BLUE 1/2" SW/FPT PLAS 16'
- 1689304 HOSE, UNIFLEX BLUE 1/2" SW/FPT PLAS 8'
- 1689313 HOSE, UNIFLEX RED 1/2" SW/FPT PLAS 10'
- 124685 HOSE, WATER 5/8" EX HVY DTY
- 480491 HOSE, WATER INTAKE 2" HW
- 1744743 LABEL, 2"X 1/2" GENERATOR
- 1744740 LABEL, 2"X 1/2" PRT
- 1743511 LABEL, 2"X 1/2" STB
- 1793310 LABEL, BATTERY PLACEMENT 420DA DSL PRT SIDE
- 1793311 LABEL, BATTERY PLACEMENT 420DA STB SIDE
- 1744804 LABEL, DANGER COMBO-DSL POWERED BOAT
- 1784602 MUFFLER, 2"IN X 2"OUT 9"X 9" BASE
- 846873 MUFFLER, 2"IN X 2"OUT W/SIDE INLET (DURALIFT)
- 1139807 NIPPLE, BRZ 1/2"MPT X HEX
- 1744510 PAD, VIBRATION P/C 1/2"X 2"X 4" CKPT LINER
- 716936 PAINT, SPRAY "HARD HAT" WHT HI-GLOSS
- 1044130 PAINT, SPRAY KRYLON GLOSS WHT
- 1740967 PANEL, 420/500DA-03 MAIN DC BRKR ENCL BOX DSL
- 1504851 PANEL, 420/500DA/480MY-03 MAIN DC BRKR ACCESS
- 1718936 PANEL, BLANK:390/420/480-04 DC DIST 12V DSL
- 1774837 PANEL, BLANK:390DA-05 CNTRL STA SW DSL
- 1781907 PANEL, BLANK:420DA-05 INST DSL CUM 6CTA MLL
- 1738935 PANEL, P/B 420DA-03 GEN CROSSOVER FUEL BLNK
- 516617 PICK-UP, BRZ WATER INTAKE 2"
- 1427459 PIN, AUTOPILOT/RUDDER BACKFEED
- 1398676 PLUG KIT, DEUTSCH DT04-8P RECPT W/PIN
- 1398700 PLUG KIT, DEUTSCH DT06-12S PLUG W/SCKT
- 1398668 PLUG KIT, DEUTSCH DT06-6S PLUG W/SCKT
- 1398684 PLUG KIT, DEUTSCH DT06-8S PLUG W/SCKT
- 1717517 PLUG KIT, DEUTSCH F/C 10-12AWG SCKT
- 1443084 PLUG KIT, DEUTSCH HD10-5-16-P
- 1408434 PLUG KIT, DEUTSCH S/C 12-14AWG PIN
- 1314079 PLUG KIT, DEUTSCH S/C 14-16AWG PIN
- 1314087 PLUG KIT, DEUTSCH S/C 14-16AWG SCKT
- 1334044 PLUG KIT, DEUTSCH SEAL PLUG 12-18GA
- 1398619 PLUG KIT, DEUTSCH SEC LOCK PLUG 8-POS
- 1398601 PLUG KIT, DEUTSCH SEC LOCK SCKT 12-POS
- 1398635 PLUG KIT, DEUTSCH SEC LOCK SCKT 6-POS
- 1398627 PLUG KIT, DEUTSCH SEC LOCK SCKT 8-POS



## TVD-CUMMINS 6CTA (T-417 PHP) V-DR.INBOARDS (continued)

1743440	PLUG, BRASS 1/2" MPT SAE LINE #639F-8
432872	PLUG, BRKR/ROCK
433193	PLUG, ROCKER SWITCH
1752189	PROP, 22"X 25"X 4.85" "Z" LH
1752190	PROP, 22"X 25"X 4.85" "Z" RH
1092048	PUMP, OIL CHANGE KIT 12V 3-VALVE
843854	SEACOCK, BRZ 2"
1616325	SEAL KIT, SHAFT STUFFING BOX 2" W/TOOL SPARE
485359	SENDING UNIT, ENG SYNC MODULE (CUMMINS)
1734071	SENDING UNIT, OIL PRESSURE 1/8"-27DEG IPS 12V
333393	SENDING UNIT, WATER 5-WIRE 20"
1734069	SENDING UNIT, WATER TEMP 3/8"MPT 240DEG
1690386	SHAFT, SS 2.0"X 86.50" AQ22 (CUMMINS) 420DA
1676923	SHIM, ALUM ENG ISOLATOR 1/4"
1261387	SHIM, ALUM ENG MNT 1/2"X 3.75"X 6.56"
154369	SNAP STUD, W/#8 X 3/8" PH SS
154377	SNAP STUD, W/#8 X 5/8" PH SS
140814	SOLENOID, EMERG START (12V DSL)
980219	SOLENOID, MAGNET LATCHING 12V 200A/1200A
976530	STEERING, HYD CYLINDER BA-175-7TM (CAPILANO)
1320068	STRAINER, BRKT ONLY 2"
680447	STRAINER, BRZ WATER INTAKE 2"
1719322	STRAP, WATER TANK 420DA-03 REV1
1690788	STRUT, W/BEARING 2.0" 420DA
1576404	STUFFING BOX, UHMW 2"ID 3.5"HOSE DUAL
1744926	SUPPORT, 420DA-03 DECK
1749612	SYPHON BREAK KIT, GEN EXH ONAN 3/4"
869305	TAILPIECE, BRZ 2"MPT X 2"BARB
1691489	TANK, WATER 420DA-03 - 100GAL
1758954	TEE, BRASS STREET 1/8" MRO
1761644	THRU-HULL, EXHAUST 3" X-LONG SS
1481217	TIE BAR, RUDDER 410DA-01
933853	TRANSDUCER, DEPTH RETRACTABLE VALOX RAYDATA
933861	TRANSDUCER, SPEED SELF SEALING VALOX RAYDATA
1408590	TRIDATA, RAYTHEON (DEPTH,SPEED,TEMP,LOG)
599175	TUBE, PICK-UP WATER 20"
1717439	TUBING, SHAFT LOG 3.5"OD X 26.0" 420DA/DB
1737355	V/D, CUM 417 SHP 450C ZF280 IV 1:56:1 LH
1737356	V/D, CUM 417 SHP 450C ZF280 IV 1:56:1 RH
211508	VALVE, BRASS 2-WAY FUEL 1/2"FPT W/MNT
171728	VALVE, BRASS 6-WAY FUEL 1/2"
1339597	VALVE, BRZ 1/2" BALL
1734206	VENT, PLAS GRILL 5" WHT
156893	WEBBING, POLYPROPYLENE 1" BLACK

## TVD-8.1 S HORIZON MIE (T-370 PHP) V-DR. I/B

1788923	HARNESS, MULTI-ENGINE DISCONNECT ADAPTOR
1524552	V/D, MERC 370HP 8.1 HRZ 2.5:1 W/RSR
1778120	V/D, MERC 370HP 8.1 HRZ 2.5:1 W/RSR '05

## TVD-8.1 SHO HORIZON MIE (T-420 PHP) V-DR.

1788923	HARNESS, MULTI-ENGINE DISCONNECT ADAPTOR
1753784	V/D, MERC 420HP 8.1 SHO HRZ 2.5:1 W/RSR
1778121	V/D, MERC 420HP 8.1 SHO HRZ 2.5:1 W/RSR '05

## TVD-CUMMINS 480CE (T-446 PHP) V-DR.INBOARDS

1778071	ACC PART, MERC S-CRFT J BOX WEATHER CAP 10POS
1794016	ACC PART, MERC S-CRFT TRNS W/19' DEP/TMP
1719362	ACTUATOR, ROCK CLEAR LENS ACCY
169821	ADAPTER, BRASS 1/2"MPT X 1/2"SAE
1746452	ADAPTER, BRASS 1/2"SAE X 3/8"FPT
140483	ADAPTER, BRASS 1/4"MPT X 3/8"SAE
780338	ADAPTER, BRASS 1/8"MPT X 3/8"BARB
169524	ADAPTER, BRASS 3/8"MPT X 3/8"SAE
1186337	BATTERY, GROUP 31 DEEP CYCLE
1747161	BLOCK, DSL PEDESTAL MOUNT
1719361	BODY, ROCK SW SPDT W/IND LAMP 12V
1687657	BOOT, BATTERY CABLE 4/0 BLK 11/16" T-LUG
140509	BOOT, ENG STARTER RED
841411	BRACKET, 2"X 3"X 5" FUEL BOARD VALVE
186221	BRACKET, ALUM 1.5"X 1.5"X 1.5" SUPPORT
1232214	BRACKET, PVC 2"X 2"X 3.5" WHT
576488	BRACKET, PVC 370SS WATER TANK 15" GRAY
1424308	BRKR/ROCK, SGL-POLE C-SER MNL RSET AC/DC 15A
1424316	BRKR/ROCK, SGL-POLE C-SER MNL RSET AC/DC 20A
1424381	BRKR/ROCK, SGL-POLE C-SER MNL RSET AC/DC 50A
1424274	BRKR/ROCK, SGL-POLE C-SER MNL RSET AC/DC 5A
1424407	BRKR/ROCK, SGL-POLE C-SER MNL RSET AC/DC 60A
1508142	BRKR/ROCK, SGL-POLE C-SER MNL RSET AC/DC 6A
171348	BUSHING, BRASS 3/8"FPT X 1/2"MPT

## TVD-CUMMINS 480CE (T-446 PHP) V-DR.INBOARDS (continued)

425546	BUSHING, SS THD 1/2"FPT X 3/4"MPT
791392	BUSHING, SS THD 1/4"FPT X 3/8"MPT
130807	CABLE, BATT BLK #2/OAWG
184051	CABLE, BATT RED #2/OAWG
136051	CABLE, BATT RED #4/OAWG
1335983	CABLE, CONTROL TELEFLEX TFXTRME 7'
622225	CAP, HOLE WHT 2.5"
417998	CLAMP, HOSE #04M 1/4"-5/8" SS MINI
123398	CLAMP, HOSE #06M 5/16"-7/8" SS MINI
256693	CLAMP, HOSE #24 1"-2" SS .505
1155894	CLAMP, HOSE #6M250 1.75"-2 5/8" SS POWERGEAR
1751315	CLAMP, HOSE #6M350 2.75"X 3 5/8" SS POWERGEAR
1155951	CLAMP, HOSE #6M900 8.25"-9 1/8" SS POWERGEAR
123661	CLAMP, LOOM VINYL DIP 1"
123638	CLAMP, LOOM VINYL DIP 1.5"
643445	CONN, BATT LUG 2/0 POS W/NUT/BOLT 5/16 X 1.5
518738	CONN, BATT LUG 2/0GA NEG T-TYPE
497917	CONN, BUTT 12/10GA INS W/INS GRIP
154997	CONN, BUTT 16/14GA H/SHRINK
155010	CONN, BUTT 16/14GA H/SHRINK
1798002	CONN, DELPHI GT 150 SERIES (M/F) 10-POS TPA
203513	CONN, RING 12/10GA X 1/2R W/INSUL
154906	CONN, RING 12/10GA X 8R W/INSUL
153999	CONN, RING 16/14GA X 8R W/INSUL
1733862	CONN, RING 2/0GA X 5/16R 90DEG FLAT BEND B/C
1094820	CONN, RING 2GA X 1/2R TIN PLTD CLSD END
793356	CONN, RING 4/0GA X 1/2R 1.15 BARE PLTD CLSD
1415314	CONN, RING 4/0GA X 1/2R 90DEG FLAT BEND B/C
467035	CONN, RING 8GA X 1/2R .810 W/INSUL SS
211516	CONN, ROMEX METAL 1.5"
1413863	CONTROL, ELECTRIC SHIFT SWITCH FOR SRB
1073758	CONTROL, NEUTRAL SAFETY SWITCH
1114263	DECK PLATE, DSL SS 2" GRN CLR-CODE
1376037	ELBOW, BRASS 90DEG 1/2"MPT X 1/2"MPT
169102	ELBOW, BRASS 90DEG 1/2"MPT X 1/2"SAE
169748	ELBOW, BRASS 90DEG 1/2"SAE X 3/8"MPT
147595	ELBOW, BRASS 90DEG 3/8"SAE X 1/4"MPT
169474	ELBOW, BRASS 90DEG 3/8"SAE X 3/8"MPT
755934	ELBOW, BRZ 45DEG 2"MPT X 2"BARB
167874	ELBOW, GENOVA 1/2"MPT X 1/2"BARB X 90DEG
506931	ELBOW, RED BRASS 90DEG 2"MPT X 2"BARB
1215581	EXHAUST, BRZ U/W EXH OUTLET DSL 99
1690999	EXHAUST, EL 8"OD OUTLET AFT PRT 420DA/SDB
1691001	EXHAUST, EL 8"OD OUTLET AFT STB 420DA/SDB
1691007	EXHAUST, EL 8"X 88.5" 91DEG 420DA
1688058	EXHAUST, HOSE HUMP 8"X 6" BLUE VHT W/CLAMPS
1780098	EXHAUST, TUBE 420DA W/CRUSH SLEEVE
1479294	FERRULE, FUEL LINE 1/2"ISO/CE
1478213	FERRULE, FUEL LINE 3/8"ISO/CE
1524065	FILTER, REMOTE FUEL DSL (500MASR)
1524073	FILTER, REMOTE FUEL DSL (900MASR)
170605	FITTING, BRASS 1/2"BARB/NUT
170589	FITTING, BRASS 3/8"BARB/NUT
630822	FUSE HOLDER, 6-FUSE BREAK-AWAY STRIP
813915	FUSE, FERRULE TYPE AGC 7.5A
1291335	GAUGE, OIL PRESS 0-100 2" 12V MLSS A/F
1690513	GAUGE, TACH VDO 0-4000 RPM
1291277	GAUGE, VOLTMETER 10-16 MLSS A/F
1291483	GAUGE, WATER TEMP 240 DEG 12V MLSS A/F
1727712	GENERATOR, 9.0 MDKAV DSL ONAN 120V/60HZ
1148857	HALON SYS, ENG INTRUPT/RESTRT 12V 5-CKT
1737663	HARNESS, 420DA-03 ENG CUM 480C-E
1507268	HARNESS, MERC DATA S-CRFT 1000-1RSL-20'
1429190	HEAT SHRINK, TUBING BLK 1"X 4'
1429174	HEAT SHRINK, TUBING BLK 3/4"X 4'
1429208	HEAT SHRINK, TUBING RED 1"X 4'
1429182	HEAT SHRINK, TUBING RED 3/4"X 4'
172726	HOSE CUFF, 1.5" RH WHT
1502202	HOSE, CONDUIT/SPLIT 2" FLAME RETARDANT
1501832	HOSE, CONDUIT/SPLIT 3/8" FLAME RETARDANT
490219	HOSE, CORR SAN/WATER-FILL 1.5" RH
913053	HOSE, EXHAUST 2" CORR HW
968933	HOSE, EXHAUST 3" CORR
1691006	HOSE, EXHAUST P/C 8"ID X 12" SW
1497494	HOSE, FUEL 1/2" ISO/CE W/PLAS LINER
123752	HOSE, FUEL 2" TYPE A CLASS 2
1497486	HOSE, FUEL 3/8" ISO/CE W/PLAS LINER
196667	HOSE, GEN PURPOSE 1"
123810	HOSE, GEN PURPOSE 3/4"
846899	HOSE, SANI 1.5" PREMIUM RBR BLK

## TVD-CUMMINS 480CE (T-446 PHP) V-DR.INBOARDS (continued)

124719 HOSE, SANI/CHEMICAL TDX 5/8"  
 1689335 HOSE, UNIFLEX BLUE 1/2" SW/FPT PLAS 16'  
 1689304 HOSE, UNIFLEX BLUE 1/2" SW/FPT PLAS 8'  
 1689313 HOSE, UNIFLEX RED 1/2" SW/FPT PLAS 10'  
 124685 HOSE, WATER 5/8" EX HVY DTY  
 480491 HOSE, WATER INTAKE 2" HW  
 1744743 LABEL, 2"X 1/2" GENERATOR  
 1744740 LABEL, 2"X 1/2" PRT  
 1743511 LABEL, 2"X 1/2" STB  
 1793310 LABEL, BATTERY PLACEMENT 420DA DSL PRT SIDE  
 1793311 LABEL, BATTERY PLACEMENT 420DA STB SIDE  
 1744804 LABEL, DANGER COMBO-DSL POWERED BOAT  
 1689740 MODULE, DSL ENG TO S-CRFT CUMMINS 480CE  
 1784602 MUFFLER, 2"IN X 2"OUT 9"X 9" BASE  
 846873 MUFFLER, 2"IN X 2"OUT W/SIDE INLET (DURALIFT)  
 1139807 NIPPLE, BRS 1/2"MPT X HEX  
 1744510 PAD, VIBRATION P/C 1/2"X 2"X 4" CKPT LINER  
 716936 PAINT, SPRAY "HARD HAT" WHT HI-GLOSS  
 1044130 PAINT, SPRAY KRYLON GLOSS WHT  
 1740967 PANEL, 420/500DA-03 MAIN DC BRKR ENCL BOX DSL  
 1504851 PANEL, 420/500DA/480MY-03 MAIN DC BRKR ACCESS  
 1718936 PANEL, BLANK:390/420/480-04 DC DIST 12V DSL  
 1774837 PANEL, BLANK:390DA-05 CNTRL STA SW DSL  
 1788127 PANEL, HDPE 420DA-05 HELM BASE NCKL 480CE OPT  
 1738935 PANEL, P/B 420DA-03 GEN CROSSOVER FUEL BLNK  
 516617 PICK-UP, BRZ WATER INTAKE 2"  
 1427459 PIN, AUTOPILOT/RUDDER BACKFEED  
 1398700 PLUG KIT, DEUTSCH DT06-12S PLUG W/SCKT  
 1398684 PLUG KIT, DEUTSCH DT06-8S PLUG W/SCKT  
 1717517 PLUG KIT, DEUTSCH F/C 10-12AWG SCKT  
 1443084 PLUG KIT, DEUTSCH HD10-5-16-P  
 1408434 PLUG KIT, DEUTSCH S/C 12-14AWG PIN  
 1314087 PLUG KIT, DEUTSCH S/C 14-16AWG SCKT  
 1334044 PLUG KIT, DEUTSCH SEAL PLUG 12-18GA  
 1408491 PLUG KIT, DEUTSCH SEAL PLUG 8-10GA  
 1398601 PLUG KIT, DEUTSCH SEC LOCK SCKT 12-POS  
 1398627 PLUG KIT, DEUTSCH SEC LOCK SCKT 8-POS  
 1743440 PLUG, BRASS 1/2" MPT SAE LINE #639F-8  
 432872 PLUG, BRKR/ROCK  
 1239938 PROP, 22"X 27"X 2" L4BC NIBRAL H/S  
 1239946 PROP, 22"X 27"X 2" R4BC NIBRAL H/S  
 1092048 PUMP, OIL CHANGE KIT 12V 3-VALVE  
 843854 SEACOCK, BRZ 2"  
 1616325 SEAL KIT, SHAFT STUFFING BOX 2" W/TOOL SPARE  
 1734071 SENDING UNIT, OIL PRESSURE 1/8"-27DEG IPS 12V  
 333393 SENDING UNIT, WATER 5-WIRE 20"  
 1734069 SENDING UNIT, WATER TEMP 3/8"MPT 240DEG  
 1690386 SHAFT, SS 2.0"X 86.50" AQ22 (CUMMS) 420DA  
 1676923 SHIM, ALUM ENG ISOLATOR 1/4"  
 1261387 SHIM, ALUM ENG MNT 1/2"X 3.75"X 6.56"  
 154369 SNAP STUD, W/#8 X 3/8" PH SS  
 154377 SNAP STUD, W/#8 X 5/8" PH SS  
 140814 SOLENOID, EMERG START (12V DSL)  
 980219 SOLENOID, MAGNET LATCHING 12V 200A/1200A  
 976530 STEERING, HYD CYLINDER BA-175-7TM (CAPILANO)  
 1320068 STRAINER, BRKT ONLY 2"  
 680447 STRAINER, BRZ WATER INTAKE 2"  
 1719322 STRAP, WATER TANK 420DA-03 REV1  
 1690788 STRUT, W/BEARING 2.0" 420DA  
 1576404 STUFFING BOX, UHMW 2"ID 3.5"HOSE DUAL  
 1744926 SUPPORT, 420DA-03 DECK  
 1749612 SYPHON BREAK KIT, GEN EXH ONAN 3/4"  
 869305 TAILPIECE, BRZ 2"MPT X 2"BARB  
 1691489 TANK, WATER 420DA-03 - 100GAL  
 1758954 TEE, BRASS STREET 1/8" MRO  
 1761644 THRU-HULL, EXHAUST 3" X-LONG SS  
 1481217 TIE BAR, RUDDER 410DA-01  
 599175 TUBE, PICK-UP WATER 20"  
 1717439 TUBING, SHAFT LOG 3.5"OD X 26.0" 420DA/DB  
 1735866 V/D, CUM 446 SHP 480CE ZF280-IV 1.56:1 LH  
 1735867 V/D, CUM 446 SHP 480CE ZF280-IV 1.56:1 RH  
 211508 VALVE, BRASS 2-WAY FUEL 1/2"FPT W/MNT  
 171728 VALVE, BRASS 6-WAY FUEL 1/2"  
 1339597 VALVE, BRZ 1/2" BALL  
 1734206 VENT, PLAS GRILL 5" WHT  
 156893 WEBBING, POLYPROPYLENE 1" BLACK

## FLATSCREEN TV, NTSC W/DVD-FWD STRM-120V/60

1761365 DVD, CYBERHOME CH-DVD 300 PAL TUNER 120/240V  
 1779855 TELEVISION, 17" ZENITH LCD HDTV

## SEA RAY NAVIGATOR II 12.1 CHARTPLOTTER

679324 ACTUATOR, ROCK BLK W/BUE LENS ACCY  
 681510 BODY, ROCK SW DPST 12V W/INC LAMP  
 179242 BUSS BAR, 6-GANG TERMINAL STRIP  
 1778925 COVER, INST SRNII 12.2 390DA/420DA  
 1195478 DRAIN, PUSH IN 3/8" BLK  
 188060 EMBLEM, "SEA RAY" SCRIPT CHROME 5"  
 731018 FUSE, BLADE TYPE CLOSED 15A  
 1757379 HARNESS, TRANSDUCER DEPTH/TEMP 30' SRN2  
 1442623 HOSE, CONDUIT/NON-SPLIT 3/8" BLK  
 123901 HOSE, CORR BILGE 1 1/8" BLK  
 1764499 LABEL, SEA RAY NAV USB PORT  
 1757378 MANUAL, OWNERS SRN2 SOFTWARE-DATA-NOTEBOOK KB  
 1766896 NAVIGATOR, SRNII CBL AUTOPILOT  
 1757385 NAVIGATOR, SRNII CBL DISPLAY PWR/DATA  
 1757383 NAVIGATOR, SRNII GPS ANTENNA NMEA  
 1757377 NAVIGATOR, SRNII MODEL 12.1 COMPUTER  
 1763058 NAVIGATOR, SRNII MOUSE REMOTE CNTRL  
 1783896 NAVIGATOR, SRNII MOUSE REMOTE CNTRL REV II  
 1758689 NAVIGATOR, SRNII PWR SUPPLY  
 1757382 NAVIGATOR, SRNII TRANSDUCR DEPTH/TEMP W/PT NY  
 1759635 PANEL, BLANK:390DA-04 INST S-CRFT W/SRN II  
 1408376 PLUG KIT, DEUTSCH DTP06-2S PLUG W/ SOCKET  
 1376052 PLUG KIT, DEUTSCH HDP24-24-16-PN  
 1376086 PLUG KIT, DEUTSCH HDP26-24-16-SN  
 1408400 PLUG KIT, DEUTSCH SEC LOCK SCKT 2-POS  
 1776486 RECEPTACLE, SRN II USB SOCKET W/CONN  
 146761 TAPE, FOAM SGL FACE BLK VINYL 1/8"X 1/4"

## SALON TABLE UPGRADE WITH STOOLS

1690312 BASE, HDPE SPYACHT SLN OTTOMAN FOOT BLK  
 1727530 BASE, TBL ELLIP W/CHAMFERED EDGE ANOD  
 188391 CLIP, XMAS TREE  
 167171 DACRON, CUMULUS 3/4OZ X 27"W  
 1690340 FOAM, P/C SPYACHT OTTOMAN SEAT  
 1733075 MICA, 4'X 8'.038"BLOSSOM CHERRY GLOSS GR12  
 586230 MICA, 4'X 8'.042"BLK MATTE GR12  
 1690313 POST, TBL LEG 17.5"-27.5" W/GAS CYL 2 7/8"DIA  
 1764814 VINYL, ULTRALEATHER DISTRESSED LASSO FLAT

## ACR SPOTLIGHT

679324 ACTUATOR, ROCK BLK W/BUE LENS ACCY  
 648097 BODY, ROCK SW SPST BLK 12V INCAND  
 775783 BRKR, P/BTN-MANUAL RESET 15A W/SCREW TER  
 123901 HOSE, CORR BILGE 1 1/8" BLK  
 1756729 PAD, SPOTLIGHT REMOTE CONTROL  
 930263 SPOTLIGHT, ACR HALOGEN WHT 12V  
 1756730 SPOTLIGHT, MASTER CONTROLLER W/LIGHT TURN-ON

## NORTHSTAR 491 FISHFINDER (ONLY W/ 6000I)

1795128 DEPTH FINDER, NRTHSTR 491FF MODULE  
 1795136 HARNESS, NRTHSTR 491FF TRANS DEP/TEMP 30'  
 1795135 TRANSDUCER, NRTHSTR 491FF DEP/TEMP W/6'PGTAIL

## HULL GEL-COATED BLUE W/ WHITE BOOT STRIPES

1630664 COVER, CUSTOM CLAMSHELL AMETHYST BLUE  
 188060 EMBLEM, "SEA RAY" SCRIPT CHROME 5"  
 1687628 GEL COAT, MAXGUARD MIDNIGHT BLUE  
 1761026 GEL COAT, MIDNIGHT BLUE W/PATCHAID 5GAL  
 1662964 HORN CVR, CONCEALED DUAL SS LG  
 1758427 TAPE, TAPER PRT 420DA-03 WHT/SLVR 44'  
 1758426 TAPE, TAPER STB 420DA-03 WHT/SLVR 44'  
 1691151 TAPE, VAC PAK WHT (4"X 180") FLAME RETARDANT  
 1753963 VINYL FILM, VAC PACK 8.5MM X 24"X 260"

## NORTHSTAR 6000I GPS / CHARTPLOTTER / RADAR

706721 FUSE, BLADE TYPE ATC 1A  
 731000 FUSE, BLADE TYPE CLOSED 10A  
 1770974 HARNESS, GPS CBL 20' NRTHSTR 6000I  
 1770975 HARNESS, GPS CBL EXT 15' NRTHSTR 6000I  
 1795162 HARNESS, PIGTAIL 5'SRN II XDUCR TO 6000I  
 1770981 HARNESS, RADAR CBL 20' NRTHSTR 6000I  
 1770985 HARNESS, RADAR CBL EXT 15' NRTHSTR 6000I  
 1757379 HARNESS, TRANSDUCER DEPTH/TEMP 30' SRN2  
 1770969 NAVIGATOR, NRTHSTR 6000I 10.4" CMPLT PKG  
 1757382 NAVIGATOR, SRNII TRANSDUCR DEPTH/TEMP W/PT NY  
 1793509 PANEL, BLANK:390/420DA-05 RADAR W/6000I-10.4"  
 1773030 PLUG KIT, DEUTSCH DTM06-2S PLUG W/SCKT  
 1408376 PLUG KIT, DEUTSCH DTP06-2S PLUG W/ SOCKET  
 1376052 PLUG KIT, DEUTSCH HDP24-24-16-PN  
 1376086 PLUG KIT, DEUTSCH HDP26-24-16-SN

**NORTHSTAR 6000I GPS / CHARTPLOTTER / RADAR (continued)**

1741427 PLUG KIT, DEUTSCH S/F 20AWG SCKT  
 1773043 PLUG KIT, DEUTSCH SEC LOCK DTM06-2S  
 1408400 PLUG KIT, DEUTSCH SEC LOCK SCKT 2-POS  
 1770978 RADAR, NRTHSTR 6000I 4KW CMLPT PKG

**AUXILIARY NORTHSTAR 6000I GPS/ CHARTPLOTTER**

731000 FUSE, BLADE TYPE CLOSED 10A  
 1770992 HARNESS, ETHERNET CBL KIT 6' NRTHSTR 6000I  
 1770974 HARNESS, GPS CBL 20' NRTHSTR 6000I  
 1770975 HARNESS, GPS CBL EXT 15' NRTHSTR 6000I  
 1770969 NAVIGATOR, NRTHSTR 6000I 10.4" CMLPT PKG  
 1793510 PANEL, 390/420DA-05 INST W/SCRFT&6000I-10"  
 1793509 PANEL, BLANK:390/420DA-05 RADAR W/6000I-10.4"

**CANDLE GLOW - GALLEY / HEAD COUNTER TOPS**

1779827 COVER, KARADON 390DA-04 SHWR MIXER CNDL GLW  
 1779833 LID, KARADON 420DA-03 SLN PRT AFT CNDL GLW  
 1779823 SHELF, KARADON 420DA-05 FWD SHWR CNDL GLW  
 1779831 TOP, KARADON 420DA-04 SLN PRT AFT CNDL GLW  
 1779825 TOP, KARADON 420DA-05 AFT HEAD VAN CNDL GLW  
 1779821 TOP, KARADON 420DA-05 FWD HD BCKSPL CNDL GLW  
 1779819 TOP, KARADON 420DA-05 FWD HEAD VAN CNDL GLW  
 1779835 TOP, KARADON GLY CNTR W/SINK/TC CVR CNDL GLW

**MACERATOR W/ SEACOCK INTERLOCK SYSTEM**

681619 ACTUATOR, ROCK BLK W/CLEAR LENS ACCY  
 648055 BODY, ROCK SW SPST W/LED 12V  
 352013 BRKR/ROCK, SGL-POLE AC/DC HORZ 10A RED  
 256693 CLAMP, HOSE #24 1"-2" SS .505  
 1766964 EYE, STRAP EYE TIE-DOWN "STAMPED" SS  
 1501832 HOSE, CONDUIT/SPLIT 3/8" FLAME RETARDANT  
 846899 HOSE, SANI 1.5" PREMIUM RBR BLK  
 1745156 LABEL, NOTICE OVERBOARD DISCHARGE (LEXAN)  
 1313709 PLUG KIT, DEUTSCH DT06-3S PLUG W/SCKT  
 1738505 PLUG KIT, DEUTSCH DT06-3S PLUG W/SCKT  
 1314087 PLUG KIT, DEUTSCH S/C 14-16AWG SCKT  
 1313824 PLUG KIT, DEUTSCH SEC LOCK SCKT 3-POS  
 1302058 PUMP, HEAD SYS MACERATOR W/RELAY/CONN 12V  
 518456 SEACOCK, BRZ 1.5" W/O TAILPIECE  
 1302116 SWITCH, SEACOCK INTERLOCK W/60" LEADS/CONN  
 518472 TAILPIECE, BRZ 1.5" MPT X 1.5" BARB  
 270256 TAPE, TEFLON 1/2"  
 579870 THRU-HULL, BRZ 1.5" W/O NUT  
 1126754 TIE, CABLE 15.5" SCREW MNT BLK SS BARB  
 1126747 TIE, CABLE 8.5" SCREW MNT BLK SS BARB

**YACHT FLAG AND FLAG POLE**

706747 CLIP, FLAG  
 685214 FLAG, USA 2' X 3'  
 1190354 POLE, FLAGSTAFF YACHTS AFT SS 40"  
 685313 SOCKET, FLUSH MOUNT STERN FLAG POLE

**HULL GEL-COATED PEWTER W/ BLACK BOOT STRIPE**

1797185 COVER, CUSTOM CLAMSHELL PEWTER  
 1796295 GEL COAT, NEW PEWTER VALSPAR  
 1662964 HORN CVR, CONCEALED DUAL SS LG  
 1790430 TAPE, M/S 4.5" W/3/4" VOID, BLK/PRLMET

**FIRE SUPPRESSION FM 200-CANADA & AUSTRALIA**

1266790 FIRE EXT SYS, FM200 500CF GAS/DSL-MAN/AUTO

**GRAY WATER SYSTEM**

185041 ADAPTER, PVC 1"OD X 1.5"OD SLIP REDUCING  
 899781 BRACKET, 18.5"X 21.5" HOLDING TANK  
 123398 CLAMP, HOSE #06M 5/16"-7/8" SS MINI  
 256677 CLAMP, HOSE #12 1/2"-1.25" SS .505  
 256685 CLAMP, HOSE #16 3/4"-1.5" SS .505  
 256693 CLAMP, HOSE #24 1"-2" SS .505  
 497917 CONN, BUTT 12/10GA INS W/INS GRIP  
 497909 CONN, BUTT 16/14GA INS W/INS GRIP  
 153932 CONN, RING 16/14GA X 10R W/INSUL  
 802470 COUPLING, PVC REDUCING 1.5" BARB X 1" BARB  
 1752438 DECK PLATE, WASTE SS BLK CLR-CODE W/INT SYMBL  
 1741104 ELBOW, ACETAL 1 3/8"-12" THD X 1 1/8" ID HOSE  
 168039 ELBOW, PVC 1" MPT X 1" BARB X 90DEG  
 196717 ELBOW, PVC 1.5" FLANGE X 3/4" MPT X 90DEG  
 167635 ELBOW, PVC 1/2" BARB X 1/2" DEG SLIP  
 503110 ELBOW, PVC 3/4" BARB X 3/4" BARB  
 466615 HOSE CUFF, 1" RH WHT  
 132258 HOSE CUFF, 3/4" RH

**GRAY WATER SYSTEM (continued)**

1501840 HOSE, CONDUIT/SPLIT 1" FLAME RETARDANT  
 490219 HOSE, CORR SAN/WATER-FILL 1.5" RH  
 123877 HOSE, CORR SAN/WATER-FILL 3/4"  
 466664 HOSE, CORR VAC 1" RH  
 124412 HOSE, PVC CLEAR/WHT W/RED TRACER 5/8"  
 846899 HOSE, SANI 1.5" PREMIUM RBR BLK  
 124719 HOSE, SANI/CHEMICAL TDX 5/8"  
 140616 LIGHT, INDICATOR AMBER 14V  
 140608 LIGHT, INDICATOR GREEN 14V  
 140624 LIGHT, INDICATOR RED 14V  
 1408434 PLUG KIT, DEUTSCH S/C 12-14AWG PIN  
 664813 SENDING UNIT, HOLD TANK CAP W/PROBE (3-POS)  
 1683218 SHOWER, SUMP ASSY 12V W/800 PUMP/CHCK VLV MOD  
 582783 TANK, HOLDING 28 GAL  
 280206 TEE, PVC 1" BARB  
 1741105 THRU-HULL, ACETAL 1 3/8"-12 THD X 1 1/8 ID  
 1688448 THRU-HULL, SS 1 1/8" X 5/8" BARB  
 1235456 VALVE, HOLDING TANK RELIEF 1.5" TANK SAVER  
 1618651 VENT, FUEL/WATER SS 5/8" 90DEG FLSH SHALLOW

**SEA RAY NAV.II CHARTPLOTTER W/RADAR OVERLAY**

679324 ACTUATOR, ROCK BLK W/BLEND LENS ACCY  
 681510 BODY, ROCK SW DPST 12V W/INC LAMP  
 1767034 BOOT, DEUTSCH DTP 2-POS MALE  
 1778925 COVER, INST SRNII 12.2 390DA/420DA  
 1195478 DRAIN, PUSH IN 3/8" BLK  
 731000 FUSE, BLADE TYPE CLOSED 10A  
 731018 FUSE, BLADE TYPE CLOSED 15A  
 731034 FUSE, BLADE TYPE CLOSED 5A  
 1770981 HARNESS, RADAR CBL 20' NRTHSTR 6000I  
 1770985 HARNESS, RADAR CBL EXT 15' NRTHSTR 6000I  
 1772612 HARNESS, RADAR PIGTAIL 1' NRTHSTR  
 1772696 HARNESS, SRNII LAN CABLE  
 1772621 HARNESS, SRNII TRANSDUCER Y CABLE  
 1757379 HARNESS, TRANSDUCER DEPTH/TEMP 30' SRNII  
 1442623 HOSE, CONDUIT/MON-SPLIT 3/8" BLK  
 1764499 LABEL, SEA RAY NAV USB PORT  
 1543750 LIGHT, NAV MASTHEAD ANCHOR 26"  
 1757378 MANUAL, OWNERS SRNII SOFTWARE-DATA-NOTEBOOK KB  
 1783312 MANUAL, OWNERS SRNII SECOND STATION  
 788711 MOUNT, ANTENNA DECK GPS SS  
 1766896 NAVIGATOR, SRNII CBL AUTOPILOT  
 1757385 NAVIGATOR, SRNII CBL DISPLAY PWR/DATA  
 1757383 NAVIGATOR, SRNII GPS ANTENNA NMEA  
 1757377 NAVIGATOR, SRNII MODEL 12.1 COMPUTER  
 1763058 NAVIGATOR, SRNII MOUSE REMOTE CNTRL  
 1783896 NAVIGATOR, SRNII MOUSE REMOTE CNTRL REV II  
 1758689 NAVIGATOR, SRNII PWR SUPPLY  
 1772611 NAVIGATOR, SRNII RADAR 4KW 3.5FT ARRAY  
 1772608 NAVIGATOR, SRNII RADAR JUNCTION BOX  
 1772610 NAVIGATOR, SRNII RADAR PEDSTAL  
 1772609 NAVIGATOR, SRNII RADAR PWR CABLE  
 1783313 NAVIGATOR, SRNII RADAR SOFTWARE  
 1757382 NAVIGATOR, SRNII TRANSDUCER DEPTH/TEMP W/PT NY  
 1759635 PANEL, BLANK:390DA-04 INST S-CRFT W/SRN II  
 1774827 PANEL, BLANK:390DA/420DA-05 SRN DUAL  
 1773030 PLUG KIT, DEUTSCH DTM06-2S PLUG W/SCKT  
 1717517 PLUG KIT, DEUTSCH F/C 10-12AWG SCKT  
 1741427 PLUG KIT, DEUTSCH S/F 20AWG SCKT  
 1773043 PLUG KIT, DEUTSCH SEC LOCK DTM06-2S  
 1760323 RADAR, CABLE CONNECTOR KIT MAPTECH OPEN ARRAY  
 1776486 RECEPTACLE, SRN II USB SOCKET W/CONN

**SATELLITE INTERFACE FOR SEA RAY NAV II**

1274570 ANTENNA, 8' SHAKESPEARE 5225 GLXY W/CP CONN  
 1777084 ANTENNA, 8' PREMIUM VHF ANTENNA W/CONN  
 649293 CABLE, COAXIAL RG8X WHT (500' ROLL)  
 123646 CLAMP, LOOM VINYL DIP #32 2"  
 1596360 CONN, "BNC" TYPE BNC MALE FOR RG8X  
 1274588 CONN, SOLDERLESS W/CTR PIN  
 1716627 CONNECTOR, PL258 BARRELL FOR COAX  
 630822 FUSE HOLDER, 6-FUSE BREAK-AWAY STRIP  
 731000 FUSE, BLADE TYPE CLOSED 10A  
 140533 FUSE, FERRULE TYPE AGC 1A  
 115311 MOUNT, RATCHET VHF 4-WAY W/1"-14 MALE THD SS  
 1760320 NAVIGATOR, SR MDL SRNII 1ST YEAR SERVICE  
 1760316 NAVIGATOR, SR MDL SRNII SATELLITE COMMUNICATOR  
 1767402 NAVIGATOR, SRNII SATELLITE GPS INTRFACE CABLE  
 1767401 NAVIGATOR, SRNII SATELLITE MODE SW W/CABLE  
 1767400 NAVIGATOR, SRNII SATELLITE PWR DATA CABLE

**SATELLITE INTERFACE FOR SEA RAY NAV II (continued)**

1767399	NAVIGATOR, SRNII SATELLITE SHORE PWR SENSOR
1760319	NAVIGATOR, SRNII SATELLITE SOFTWARE
1774890	NAVIGATOR, SRNII SATELLITE WIRING HARNESS
1767398	NAVIGATOR, SRNII WIRELESS BATT PACK
1773032	PLUG KIT, DEUTSCH DTM06-4S PLUG W/SCKT
1773033	PLUG KIT, DEUTSCH DTM06-6S PLUG W/SCKT
1741427	PLUG KIT, DEUTSCH S/F 20AWG SCKT
1757453	PLUG KIT, DEUTSCH SEAL PLUG
1773047	PLUG KIT, DEUTSCH SEC LOCK DTM06-4S
1773049	PLUG KIT, DEUTSCH SEC LOCK DTM06-6S

**RAYMARINE C120 (12") CHART PLOTTER / RADAR**

179242	BUSS BAR, 6-GANG TERMINAL STRIP
731000	FUSE, BLADE TYPE CLOSED 10A
731018	FUSE, BLADE TYPE CLOSED 15A
1592617	GPS, RAYSTAR RS120 SENSOR SEATALK WAAS
1800496	GPS, RAYSTAR RS125 SENSOR NMEA & SEATALK
1501782	HOSE, CONDUIT/SPLIT 1/2" FLAME RETARDANT
1746045	LABEL, DANGER NO LOOKING DIRECTLY INTO RADOME
1543750	LIGHT, NAV MASTHEAD ANCHOR 26"
1772722	NAVIGATION DISPLAY, RAYMARINE C120 12" CLRLCD
1773171	PANEL, 390DA-05 INST S-CRFT W/C-120 RAY
1772725	RADAR, CABLE 15 METER STD PEDESTAL CABLE
1408632	RADAR, RAYTHEON 5S 48" ARRAY
1772723	RADAR, RAYTHEON 5S 4KW PEDESTAL
1451020	SHIM, HDPE 1"X 1" 5/16"X 9" RADAR-R-80

**RAYMARINE DSM FISH FINDER**

1772045	DEPTH FINDER, DIGITAL SOUNDR MODL HSB2/DSM250
1801244	DEPTH FINDER, DIGITAL SOUNDR MODL HSB2/DSM300
731000	FUSE, BLADE TYPE CLOSED 10A
731034	FUSE, BLADE TYPE CLOSED 5A
1782094	TRANSDUCER, DEPTH FOR DSM250 FISHFINDER NYLON
1795499	TRANSDUCER, DEPTH/TEMP FOR DSM250 FISHFINDER

**RAYMARINE C120 CHARTPLOTTER ONLY**

179242	BUSS BAR, 6-GANG TERMINAL STRIP
731000	FUSE, BLADE TYPE CLOSED 10A
1592617	GPS, RAYSTAR RS120 SENSOR SEATALK WAAS
1800496	GPS, RAYSTAR RS125 SENSOR NMEA & SEATALK
788711	MOUNT, ANTENNA DECK GPS SS
1772722	NAVIGATION DISPLAY, RAYMARINE C120 12" CLRLCD
1773171	PANEL, 390DA-05 INST S-CRFT W/C-120 RAY
1780644	PANEL, BLANK:390/420DA RADAR W/RAY C-120

**FLATSCREEN TV NTSC W/DVD MID-BERTH-120V/60**

180463	BOX, RECEPTACLE HANDY DUPLEX METAL
1748464	CHERRY, TRIM VERT SPYCHT/YACHT 80SH P/F 24"
1791173	CHERRY, TRIM VERT SPYCHT/YACHT P/F 24"
192492	CONN, ROMEX PLAS 1/2"
145078	COVER PLATE, SGL DUPLEX RECEPT BRN
1787508	COVER PLATE, SGL DUPLEX RECEPT BRN LVT
1761365	DVD, CYBERHOME CH-DVD 300 PAL TUNER 120/240V
145094	RECEPTACLE, DUPLEX BRN 15A
1787507	RECEPTACLE, DUPLEX BRN 15A LVT
1753056	TELEVISION, 15.1" ZENITH LCD

**FLATSCREEN TV, PAL W/DVD MID-BERTH-220V/50**

180463	BOX, RECEPTACLE HANDY DUPLEX METAL
1748464	CHERRY, TRIM VERT SPYCHT/YACHT 80SH P/F 24"
1791173	CHERRY, TRIM VERT SPYCHT/YACHT P/F 24"
637058	CONN, COAX EURO TV ADAPTER "F" TYPE
1787491	CONN, COAX EURO TV ADAPTER SCART-AV
192492	CONN, ROMEX PLAS 1/2"
192500	CONN, ROMEX PLAS 1/2"
1761365	DVD, CYBERHOME CH-DVD 300 PAL TUNER 120/240V
145094	RECEPTACLE, DUPLEX BRN 15A
1787507	RECEPTACLE, DUPLEX BRN 15A LVT
1757868	TELEVISION, 15" SHARP LCD PANEL EURO
1798962	TELEVISION, 15" SHARP LCD LC15SH1E EURO

**COCKPIT AIR COND. W/ DIESEL ENGINE -120V/60**

1781383	A/C COMP, 420DA-05 DASH PLENUM
1604263	A/C COMP, CABLE INTERCONNECT 15'
1772531	A/C COMP, COMPACT 16K SMXII HV 115V 60HZ R22
1604271	A/C COMP, DISPLAY ECU BLK W/3/4" DOOR
1762241	A/C COMP, ELL PLAS 1/2"MPT X 5/8" HOSE
1163963	A/C COMP, GRILL 10X5 SNAP WHT W/FRAME
1322940	A/C COMP, GRILL 3" BLK W/DBL LVR
957092	A/C COMP, HOSE RING 5" OBLONG

**COCKPIT AIR COND. W/ DIESEL ENGINE -120V/60 (continued)**

1780716	A/C COMP, MANIFOLD SR2
1780155	A/C COMP, PLENUM W/5" & 4" OUTL
1055573	A/C COMP, PUMP RELAY 3STA
838755	A/C COMP, PUMP SEAWATER 115V PMA1000 W/BASE
531426	ADAPTER, BRZ 3/4"MPT X 3/4"BARB
484550	ADAPTER, PVC 1"MPT X 3/4"BARB
1781222	BOX, LDPVC 420DA-05 CKPT A/C DECK PLENUM
331959	BRKR/ROCK, SGL-POLE AC/DC HORZ 30A WHT
135202	CABLE, MARINE STRANDED 12/3
135228	CABLE, MARINE STRANDED 14/3 BLK/GRN/WHT
123398	CLAMP, HOSE #06M 5/16"-7/8" SS MINI
263954	CLAMP, HOSE #10 1/2"-1 1/8" SS .505
256677	CLAMP, HOSE #12 1/2"-1.25" SS .505
123414	CLAMP, HOSE #12M 5/8"-1.25" SS MINI
256727	CLAMP, HOSE #48 1 5/8"-3.5" SS .505
256735	CLAMP, HOSE #64 2 5/8"-4.5" SS .505
256743	CLAMP, HOSE #72 3 1/8"-5" SS .505
256750	CLAMP, HOSE #88 4.25"-6" SS .505
1791619	CLIP, XMAS TREE .276" X 1.30" NATURAL
1781221	DOOR, STRG 420DA-05 CMPN W/AC OPT SLT ZPHR
1734471	DRAIN, FITTING 3/4" D X 1.5" L WHT PLAS
1734473	ELBOW, CONN 3/4"-14 X 3/4" BARB WHT PLAS
490979	ELBOW, PVC 1/2"BARB X 1/2"BARB X 90DEG
167635	ELBOW, PVC 1/2"BARB X 1/2"DEG SLIP
858589	ELBOW, PVC 1/2"FPT X 3/4"BARB X 90DEG
1781657	GRILL, HDPE 420DA-05 CKPT A/C RETURN
639849	HOSE, AC/DUCT INSULATED 3" X 11'
639831	HOSE, AC/DUCT INSULATED 3" X 4'
1787700	HOSE, AC/DUCT INSULATED 4" X 15' P/C
1153394	HOSE, AC/DUCT INSULATED 4" X 20'
888107	HOSE, AC/DUCT INSULATED 5" X 10'
1501782	HOSE, CONDUIT/SPLIT 1/2" FLAME RETARDANT
123901	HOSE, CORR BILGE 1 1/8" BLK
123810	HOSE, GEN PURPOSE 3/4"
124412	HOSE, PVC CLEAR/WHT W/RED TRACER 5/8"
1058957	HOSE, WATER A/C WHT 5/8"
1781334	MUFF, P/B 420DA-05 DASH
1794096	MUFF, P/B 420DA-05 DASH W/CKPT A/C OPT
1781225	PANEL, P/B 420DA-05 CKPT STBD A/C OPT
1688448	THRU-HULL, SS 1 1/8"X 5/8"BARB
1781588	TRIM, CORIAN 420DA-05 CKPT A/C 9"RNG MIDNIGHT
1619626	VINYL, DADE PEWTER MIST EXP FLAT
1618685	VINYL, SLIT 1.5" DADE PEWTER MIST EXP

**COCKPIT AIR COND. W/ DIESEL ENGINE -220V/50**

1781383	A/C COMP, 420DA-05 DASH PLENUM
1604263	A/C COMP, CABLE INTERCONNECT 15'
1773076	A/C COMP, COMPACT 16K SMXII HV 220V 50HZ GG
1604271	A/C COMP, DISPLAY ECU BLK W/3/4" DOOR
1762241	A/C COMP, ELL PLAS 1/2"MPT X 5/8" HOSE
1163963	A/C COMP, GRILL 10X5 SNAP WHT W/FRAME
1322940	A/C COMP, GRILL 3" BLK W/DBL LVR
957092	A/C COMP, HOSE RING 5" OBLONG
1780716	A/C COMP, MANIFOLD SR2
1780155	A/C COMP, PLENUM W/5" & 4" OUTL
944850	A/C COMP, PUMP RELAY 240V
1055573	A/C COMP, PUMP RELAY 3STA
838755	A/C COMP, PUMP SEAWATER 115V PMA1000 W/BASE
838763	A/C COMP, PUMP SEAWATER 230V 400DB 50C
531426	ADAPTER, BRZ 3/4"MPT X 3/4"BARB
484550	ADAPTER, PVC 1"MPT X 3/4"BARB
1781222	BOX, LDPVC 420DA-05 CKPT A/C DECK PLENUM
331991	BRKR/ROCK, SGL-POLE AC/DC HORZ 20A WHT
1626795	CABLE, MARINE UL BOAT 12/3 EURO
1646900	CABLE, MARINE UL BOAT 14/3 EURO
123398	CLAMP, HOSE #06M 5/16"-7/8" SS MINI
263954	CLAMP, HOSE #10 1/2"-1 1/8" SS .505
256677	CLAMP, HOSE #12 1/2"-1.25" SS .505
123414	CLAMP, HOSE #12M 5/8"-1.25" SS MINI
256727	CLAMP, HOSE #48 1 5/8"-3.5" SS .505
256735	CLAMP, HOSE #64 2 5/8"-4.5" SS .505
256743	CLAMP, HOSE #72 3 1/8"-5" SS .505
256750	CLAMP, HOSE #88 4.25"-6" SS .505
1791619	CLIP, XMAS TREE .276" X 1.30" NATURAL
1781221	DOOR, STRG 420DA-05 CMPN W/AC OPT SLT ZPHR
1734471	DRAIN, FITTING 3/4" D X 1.5" L WHT PLAS
1734473	ELBOW, CONN 3/4"-14 X 3/4" BARB WHT PLAS
490979	ELBOW, PVC 1/2"BARB X 1/2"BARB X 90DEG
167635	ELBOW, PVC 1/2"BARB X 1/2"DEG SLIP
858589	ELBOW, PVC 1/2"FPT X 3/4"BARB X 90DEG

**COCKPIT AIR COND. W/ DIESEL ENGINE -220V/50 (continued)**

1781657	GRILL, HDPE 420DA-05 CKPT A/C RETURN
639849	HOSE, AC/DUCT INSULATED 3" X 11'
639831	HOSE, AC/DUCT INSULATED 3" X 4'
1787700	HOSE, AC/DUCT INSULATED 4" X 15' P/C
1153394	HOSE, AC/DUCT INSULATED 4" X 20'
888107	HOSE, AC/DUCT INSULATED 5" X 10'
1501782	HOSE, CONDUIT/SPLIT 1/2" FLAME RETARDANT
123901	HOSE, CORR BILGE 1 1/8" BLK
123810	HOSE, GEN PURPOSE 3/4"
124412	HOSE, PVC CLEAR/WHT W/RED TRACER 5/8"
1058957	HOSE, WATER A/C WHT 5/8"
1781334	MUFF, P/B 420DA-05 DASH
1794096	MUFF, P/B 420DA-05 DASH W/CKPT A/C OPT
1781225	PANEL, P/B 420DA-05 CKPT STBD A/C OPT
1688448	THRU-HULL, SS 1 1/8" X 5/8" BARB
1781588	TRIM, CORIAN 420DA-05 CKPT A/C 9" RNG MIDNIGHT
1619626	VINYL, DADE PEWTER MIST EXP FLAT
1618685	VINYL, SLIT 1.5" DADE PEWTER MIST EXP

**POWER STEERING - ASSISTED**

1685162	BRKR/ROCK, SGL-POLE C-SERIES DC IGNPRT 50AYL
195305	COUPLING, BRASS 1/4" FPT
168849	NIPPLE, BRASS 1/4" MPT X 1.5" HEX
1762408	STEERING HOSE, 5/16" X 2" W/FITTINGS (SEASTAR)
1776219	STEERING HOSE, 5/16" X 12" W/FITTINGS (SEASTAR)
1765809	STEERING HOSE, 5/16" X 16" W/FITTINGS (SEASTAR)
999284	STEERING, FITTING ELBOW TUBE TO 1/4" MPT
1771726	STEERING, PUMP SEA STAR PWR ASSIST 12V
577312	TEE, BRASS 3/8" COMP X 1/4" MPT X 3/8" COMP

**COCKPIT AIR W/GAS ENG.& GEN.UPGRADE-120V/60**

1781383	A/C COMP, 420DA-05 DASH PLENUM
1604263	A/C COMP, CABLE INTERCONNECT 15'
1772531	A/C COMP, COMPACT 16K SMXII HV 115V 60HZ R22
1604271	A/C COMP, DISPLAY ECU BLK W/3/4" DOOR
1762241	A/C COMP, ELL PLAS 1/2" MPT X 5/8" HOSE
1163963	A/C COMP, GRILL 10X5 SNAP WHT W/FRAME
1322940	A/C COMP, GRILL 3" BLK W/DBL LVR
957092	A/C COMP, HOSE RING 5" OBLONG
1780716	A/C COMP, MANIFOLD SR2
1780155	A/C COMP, PLENUM W/5" & 4" OUTL
1055573	A/C COMP, PUMP RELAY 3STA
838755	A/C COMP, PUMP SEAWATER 115V PMA1000 W/BASE
531426	ADAPTER, BRZ 3/4" MPT X 3/4" BARB
484550	ADAPTER, PVC 1" MPT X 3/4" BARB
1781222	BOX, LDPVC 420DA-05 CKPT A/C DECK PLENUM
331959	BRKR/ROCK, SGL-POLE AC/DC HORZ 30A WHT
991778	BUSHING, BRZ 1/2" FPT X 3/4" MPT
791392	BUSHING, SS THD 1/4" FPT X 3/8" MPT
135202	CABLE, MARINE STRANDED 12/3
135228	CABLE, MARINE STRANDED 14/3 BLK/GRN/WHT
123398	CLAMP, HOSE #06M 5/16"-7/8" SS MINI
263954	CLAMP, HOSE #10 1/2"-1 1/8" SS .505
256677	CLAMP, HOSE #12 1/2"-1.25" SS .505
123414	CLAMP, HOSE #12M 5/8"-1.25" SS MINI
256727	CLAMP, HOSE #48 1 5/8"-3.5" SS .505
256735	CLAMP, HOSE #64 2 5/8"-4.5" SS .505
256743	CLAMP, HOSE #72 3 1/8"-5" SS .505
256750	CLAMP, HOSE #88 4.25"-6" SS .505
1791619	CLIP, XMAS TREE .276" X 1.30" NATURAL
1781221	DOOR, STRG 420DA-05 CMPN W/AC OPT SLT ZPHR
1734471	DRAIN, FITTING 3/4" D X 1.5" L WHT PLAS
629253	ELBOW, BRASS 90DEG 1/4" SAE X 1/4" MPT
1727807	ELBOW, BRZ 90DEG 1/2" MPT X 5/8" BARB
1734473	ELBOW, CONN 3/4"-14 X 3/4" BARB WHT PLAS
490979	ELBOW, PVC 1/2" BARB X 1/2" BARB X 90DEG
167635	ELBOW, PVC 1/2" BARB X 1/2" DEG SLIP
858589	ELBOW, PVC 1/2" FPT X 3/4" BARB X 90DEG
1749019	GENERATOR, 10.0 KW GAS KOHLER 120V/240V/60
1794751	GENERATOR, 10.0 KW GAS KOHLER 120V/60HZ EG-10
1781657	GRILL, HDPE 420DA-05 CKPT A/C RETURN
1795296	HARNESS, 420DA KOEHLER GENERATOR
639849	HOSE, AC/DUCT INSULATED 3" X 11'
639831	HOSE, AC/DUCT INSULATED 3" X 4'
1787700	HOSE, AC/DUCT INSULATED 4" X 15' P/C
1153394	HOSE, AC/DUCT INSULATED 4" X 20'
888107	HOSE, AC/DUCT INSULATED 5" X 10'
1501782	HOSE, CONDUIT/SPLIT 1/2" FLAME RETARDANT
123901	HOSE, CORR BILGE 1 1/8" BLK
123810	HOSE, GEN PURPOSE 3/4"

**COCKPIT AIR W/GAS ENG.& GEN.UPGRADE-120V/60 (continued)**

124412	HOSE, PVC CLEAR/WHT W/RED TRACER 5/8"
1058957	HOSE, WATER A/C WHT 5/8"
254904	HOSE, WATER INTAKE 5/8" WIRE REINFORCED
1781334	MUFF, P/B 420DA-05 DASH
1794096	MUFF, P/B 420DA-05 DASH W/CKPT A/C OPT
1781225	PANEL, P/B 420DA-05 CKPT STBD A/C OPT
843318	PLUG KIT, MATE-N-LOK II PLUG MALE 6-POS
433193	PLUG, ROCKER SWITCH
1688448	THRU-HULL, SS 1 1/8" X 5/8" BARB
1781588	TRIM, CORIAN 420DA-05 CKPT A/C 9" RNG MIDNIGHT
1619626	VINYL, DADE PEWTER MIST EXP FLAT
1618685	VINYL, SLIT 1.5" DADE PEWTER MIST EXP

**COCKPIT AIR W/GAS ENG.& GEN.UPGRADE-220V/50**

1781383	A/C COMP, 420DA-05 DASH PLENUM
1604263	A/C COMP, CABLE INTERCONNECT 15'
1773076	A/C COMP, COMPACT 16K SMXII HV 220V 50HZ GG
1604271	A/C COMP, DISPLAY ECU BLK W/3/4" DOOR
1762241	A/C COMP, ELL PLAS 1/2" MPT X 5/8" HOSE
1163963	A/C COMP, GRILL 10X5 SNAP WHT W/FRAME
1322940	A/C COMP, GRILL 3" BLK W/DBL LVR
957092	A/C COMP, HOSE RING 5" OBLONG
1780716	A/C COMP, MANIFOLD SR2
1780155	A/C COMP, PLENUM W/5" & 4" OUTL
944850	A/C COMP, PUMP RELAY 240V
1055573	A/C COMP, PUMP RELAY 3STA
838755	A/C COMP, PUMP SEAWATER 115V PMA1000 W/BASE
838763	A/C COMP, PUMP SEAWATER 230V 400DB 50C
531426	ADAPTER, BRZ 3/4" MPT X 3/4" BARB
484550	ADAPTER, PVC 1" MPT X 3/4" BARB
1781222	BOX, LDPVC 420DA-05 CKPT A/C DECK PLENUM
331991	BRKR/ROCK, SGL-POLE AC/DC HORZ 20A WHT
991778	BUSHING, BRZ 1/2" FPT X 3/4" MPT
791392	BUSHING, SS THD 1/4" FPT X 3/8" MPT
1626795	CABLE, MARINE UL BOAT 12/3 EURO
1646900	CABLE, MARINE UL BOAT 14/3 EURO
123398	CLAMP, HOSE #06M 5/16"-7/8" SS MINI
263954	CLAMP, HOSE #10 1/2"-1 1/8" SS .505
256677	CLAMP, HOSE #12 1/2"-1.25" SS .505
123414	CLAMP, HOSE #12M 5/8"-1.25" SS MINI
256727	CLAMP, HOSE #48 1 5/8"-3.5" SS .505
256735	CLAMP, HOSE #64 2 5/8"-4.5" SS .505
256743	CLAMP, HOSE #72 3 1/8"-5" SS .505
256750	CLAMP, HOSE #88 4.25"-6" SS .505
1791619	CLIP, XMAS TREE .276" X 1.30" NATURAL
1781221	DOOR, STRG 420DA-05 CMPN W/AC OPT SLT ZPHR
1734471	DRAIN, FITTING 3/4" D X 1.5" L WHT PLAS
629253	ELBOW, BRASS 90DEG 1/4" SAE X 1/4" MPT
1727807	ELBOW, BRZ 90DEG 1/2" MPT X 5/8" BARB
1734473	ELBOW, CONN 3/4"-14 X 3/4" BARB WHT PLAS
490979	ELBOW, PVC 1/2" BARB X 1/2" BARB X 90DEG
167635	ELBOW, PVC 1/2" BARB X 1/2" DEG SLIP
858589	ELBOW, PVC 1/2" FPT X 3/4" BARB X 90DEG
1727338	GENERATOR, 8.0 KW GAS KOHLER 220V/50
1781657	GRILL, HDPE 420DA-05 CKPT A/C RETURN
1795296	HARNESS, 420DA KOEHLER GENERATOR
639849	HOSE, AC/DUCT INSULATED 3" X 11'
639831	HOSE, AC/DUCT INSULATED 3" X 4'
1787700	HOSE, AC/DUCT INSULATED 4" X 15' P/C
1153394	HOSE, AC/DUCT INSULATED 4" X 20'
888107	HOSE, AC/DUCT INSULATED 5" X 10'
1501782	HOSE, CONDUIT/SPLIT 1/2" FLAME RETARDANT
123901	HOSE, CORR BILGE 1 1/8" BLK
123810	HOSE, GEN PURPOSE 3/4"
124412	HOSE, PVC CLEAR/WHT W/RED TRACER 5/8"
1058957	HOSE, WATER A/C WHT 5/8"
254904	HOSE, WATER INTAKE 5/8" WIRE REINFORCED
1781334	MUFF, P/B 420DA-05 DASH
1794096	MUFF, P/B 420DA-05 DASH W/CKPT A/C OPT
1781225	PANEL, P/B 420DA-05 CKPT STBD A/C OPT
843318	PLUG KIT, MATE-N-LOK II PLUG MALE 6-POS
433193	PLUG, ROCKER SWITCH
1688448	THRU-HULL, SS 1 1/8" X 5/8" BARB
1781588	TRIM, CORIAN 420DA-05 CKPT A/C 9" RNG MIDNIGHT
1619626	VINYL, DADE PEWTER MIST EXP FLAT
1618685	VINYL, SLIT 1.5" DADE PEWTER MIST EXP

**RAYMARINE - C80 GPS CHARTPLOTTER**

179242	BUSS BAR, 6-GANG TERMINAL STRIP
731000	FUSE, BLADE TYPE CLOSED 10A

**RAYMARINE - C80 GPS CHARTPLOTTER (continued)**

731034	FUSE, BLADE TYPE CLOSED 5A
1592617	GPS, RAYSTAR RS120 SENSOR SEATALK WAAS
1800496	GPS, RAYSTAR RS125 SENSOR NMEA & SEATALK
1772721	NAVIGATION DISPLAY, RAYMARINE C80 8" CLR LCD
1786001	PANEL, BLANK 390/420DA-05 INST W/C-80
1786370	PANEL, BLANK:390/420DA-05 INST W/C-80

**OPENING PORT LIGHTS IN SALON & GALLEY**

1747493	LABEL, LEAVING WINDOW OPEN EXHAUST FUMES
1453992	PORTLIGHT, OPENING ALL SS 3/8"-7/8" MOD REV1
1331313	PORTLIGHT, SCREEN 3/8"X 7/8"

**SIRIUS SATELLITE RADIO**

1757933	ANTENNA, SHAKESPEARE SATELLITE RADIO ANTENNA
1773328	DECAL, SIRIUS ACTIVATION ORNG/BLUE
1766168	DECAL, SIRIUS IT'S ON
1501832	HOSE, CONDUIT/SPLIT 3/8" FLAME RETARDANT
1766115	PACKET, SIRIUS WELCOME KIT
1768304	STEREO, SIRIUS SATELLITE RCVR SIRCL1-1YR

**BOW THRUSTER**

1590199	ACTUATOR, ROCK BLK W/BLK LENS BOW THRUSTER
1186337	BATTERY, GROUP 31 DEEP CYCLE
932871	BODY, ROCK SW DPDT MOM 24V W/INDEP INC LAMP
650507	BOOT, BATTERY CABLE 4/0 BLK 11/16"
650499	BOOT, BATTERY CABLE 4/0 RED 11/16"
1751179	BOOT, BATTERY THREADED STUD COVER RED #458
673780	BOOT, RED
1754500	BOW THRUSTER, 95KGF 24VDC 7.28"ID TUNNEL
1048388	BOW THRUSTER, EXT HARNESS 20"
1124379	BOW THRUSTER, FBGRLS TUNNEL 7 7/8"X 60"
1396456	BOW THRUSTER, JOG LEVER
186221	BRACKET, ALUM 1.5"X 1.5"X 1.5"SUPPORT
802124	BRACKET, ALUM BATT HLDWN 1/2"X1/2"X16" SOLID
1475391	BRKR, SURF MNT THERMAL 25AMP MANUAL RESET
332031	BRKR/ROCK, SGL-POLE AC/DC HORZ 15A WHT
130807	CABLE, BATT BLK #2/0AWG
184051	CABLE, BATT RED #2/0AWG
135228	CABLE, MARINE STRANDED 14/3 BLK/GRN/WHT
643437	CONN, BATT LUG 2/0 NEG W/NUT/BOLT 5/16 X 1.5
643445	CONN, BATT LUG 2/0 POS W/NUT/BOLT 5/16 X 1.5
203513	CONN, RING 12/10GA X 1/2R W/INSUL
154864	CONN, RING 12/10GA X 1/4R W/INSUL
793349	CONN, RING 4/0GA X 3/8R 1.15 BARE PLTD CLSD
1331321	CONN, RING 4/0GA X 5/16R 1.1
793364	CONN, RING 4GA X 5/16R BATT/CBL PLTD CLSD END
1429273	CONVERTER, 17AMP 120/240VAC 50/60HZ 24VDC
830950	COVER, THREADED ROD 1/2"L X .225 RED
987446	FUSE BLOCK, BLADE TYPE ANL350/500
1741125	FUSE HOLDER, BLADE TYPE ACCY 7.5A
1759681	FUSE, FLAT HEAVY DUTY ANL 200A (BUSSMAN)
1429174	HEAT SHRINK, TUBING BLK 3/4"X 4"
1427145	HEAT SHRINK, TUBING GRN 1.0"
1429182	HEAT SHRINK, TUBING RED 3/4"X 4"
130435	HOLDER, BATTERY GR27 BLK NYLON W/SS
1501824	HOSE, CONDUIT/SPLIT 3/4" FLAME RETARDANT
1793181	LABEL, BATTERY PLACEMENT 420DA W/BOWTHRUSTER
1751061	LABEL, BOW THRUSTER
1109248	LABEL, CONVERTER 1/4"X 1.5"
1743616	LABEL, UNPLUG SHORE POWER WARNING
1398650	PLUG KIT, DEUTSCH DT04-6P RECPT W/PIN
1398668	PLUG KIT, DEUTSCH DT06-6S PLUG W/SCKT
1314079	PLUG KIT, DEUTSCH S/C 14-16AWG PIN
1314087	PLUG KIT, DEUTSCH S/C 14-16AWG SCKT
1334044	PLUG KIT, DEUTSCH SEAL PLUG 12-18GA
1398643	PLUG KIT, DEUTSCH SEC LOCK PLUG 6-POS
1398635	PLUG KIT, DEUTSCH SEC LOCK SCKT 6-POS
980227	SOLENOID, MAGNET LATCHING 24V 200A/1200A

**SHIP WATER READY**

590778	TAG, WARNING SHIP BOAT WATER READY
--------	------------------------------------

**SUN PAD ( S ) - FORWARD DECK**

1180033	CANVAS, SEAMARK TOAST TWEED 60" W/BC
1727396	EYE, PAD 1"STRAP SS LOW PROFILE
1739639	FOAM, P/C 420DA-03 SUNPAD 3PC
226787	LABEL, CAUTION SUN PAD
1752374	LABEL, SUN PAD WARNING UNDERWAY
773630	MESH, WHITE 54"
191734	SILICONE SPRAY, LUBRICANT

**SUN PAD ( S ) - FORWARD DECK (continued)**

180406	SLIDE, DELRIN #5 WHT 1-S LOCK
1740876	UPH PARTS, BUCKLE 1" SS ADJUST-A-BUCKLE
283069	VINYL FILM, PLAS 1MM X 5'X 830YD
1690521	WEBBING, POLYPROPYLENE 1" BEIGE
156893	WEBBING, POLYPROPYLENE 1" BLACK
180182	ZIPPER, #5 DELRIN CONTINUOUS WHT

**220 VOLT / 50 CYCLE ELECTRICAL SYSTEM**

1769425	A/C COMP, COMPACT 12K SMXII 220V 50HZ GG
1769421	A/C COMP, COMPACT 7K SMXII 220V 50HZ GG
838839	A/C COMP, PUMP RELAY 230V
956169	A/C COMP, PUMP SEAWATER 230V
180463	BOX, RECEPTACLE HANDY DUPLEX METAL
975037	BRKR, IDEA 230V 2P EURO GFCI 16A 10MA WHT
332593	BRKR/ROCK, SGL-POLE AC/DC HORZ 10A WHT
353326	BRKR/ROCK, SGL-POLE AC/DC HORZ 5A WHT
851295	BRKR/TOGGLE, 2-POLE AC MED DELAY 20A (10-32)
582445	BRKR/TOGGLE, 2-POLE AC MED DELAY 35A
1626803	CABLE, MARINE UL BOAT 10/3 EURO
1626795	CABLE, MARINE UL BOAT 12/3 EURO
1646900	CABLE, MARINE UL BOAT 14/3 EURO
1626787	CABLE, MARINE UL BOAT 8/3 EURO
1793182	COFFEEMAKER, KRUPS BLK W/BRSHD CHR 12CUP 220V
637058	CONN, COAX EURO TV ADAPTER "F" TYPE
1787491	CONN, COAX EURO TV ADAPTER SCART-AV
184622	CONN, COUPLER TV/FM ANTENNA TYPE F-81
154906	CONN, RING 12/10GA X 8R W/INSUL
192492	CONN, ROMEX PLAS 1/2"
192500	CONN, ROMEX PLAS 1/2"
744243	CONN, SNAP SPADE 16-14GA X 8SS W/INSUL
1459643	CONVERTER, PROTECH 12V/40A 12/220VAC 50/60HZ
206268	CORD SET, 220V/50H 16A 50FT
1741009	COVER PLATE, IDEA-SERIES 20R3-GANG NKL RONDO
1206226	COVER PLATE, IDEA-SERIES 3-GANG
180125	COVER PLATE, MTL HANDY BOX
180083	COVER PLATE, SWITCH BROWN EURO
1761365	DVD, CYBERHOME CH-DVD 300 PAL TUNER 120/240V
1266790	FIRE EXT SYS, FM200 500CF GAS/DSL-MAN/AUTO
893289	FRAME, IDEA-SERIES 3-GANG SUPPORT FRAME GREY
1464940	GAUGE, VOLTMETER 0-300 VAC
1727342	GENERATOR, 6.5 KW GAS KOHLER 220V/50
1156736	HEATER, WATER 11 GAL 220/50 W/75-210 T&P
864686	ICE MAKER, 23 LB WHT W/FLNGE CFC FREE 220V/50
206276	INLET, SHORE POWER WHT 220V/50H 16A
1743616	LABEL, UNPLUG SHORE POWER WARNING
1755871	LABEL, WARN KEEP DOORS OPEN APPLNCE IN USE
557603	LIGHT, POLARITY GRN 220V
557629	LIGHT, POLARITY RED 220V
1780309	MICROWAVE, TAPPAN 0.7CF 220V 700W BLK
1793183	MICROWAVE, TAPPAN 0.7CF 220V 700W SS
1690736	PANEL, BLANK:390M/420DA-03 MAIN DIST 220VAC
1742136	PULL, PUSH-BUTTON KNOB SAT/NCKL
1742137	PULL, ROSETTE SAT/NCKL OVAL 19MM
256305	RECEPTACLE, LEGRAND EXT W/CVR 220/50 GERMAN
902064	RECEPTACLE, SGL GERMAN STD GREY
1145069	RECEPTACLE, SGL GERMAN STD WHT
583906	RELAY, 240VAC 50/60 HZ 20 AMP DPDT
898569	SLIDE ASSY, PIVOT DOOR 12" (KNAPP/VOGT)
841734	STOVE, ELEC 2-BURNER BEVELED COOKTOP 220V
893263	SWITCH, BLANK IDEA-SERIES GREY
975011	SWITCH, BLANK IDEA-SERIES WHT
1757868	TELEVISION, 15" SHARP LCD PANEL EURO
1798963	TELEVISION, 20" SHARP LCD LC20SH1E 220V
1757867	TELEVISION, 20" SHARP LCD PANEL 220V
1798962	TELEVISION, 15" SHARP LCD LC15SH1E EURO

**WATER DELIVERY - INCLUDES SAFETY PKG & FUEL**

579573	CLIP, RETAINER BOAT HOOK 5/8"TO 1 1/4"
796912	FENDER, 8"X 20" WHT #1026
1779370	FENDER, 8"X 20" WHT (LAND&SEA)
1581099	FIRE EXT, DRY CHEM HAND-HELD 1A 10BC 2.50LB
159244	HOOK, ALUM BOAT HOOK
184424	KEY RING, PLASTIC BUOY RED
1779365	KIT, FIRST AID
1779364	KIT, SIGNAL GUN
1779372	LIFE VEST, ADULT ORANGE TYPE 1 MERCH MATE II
1779366	RING BUOY, RESCUE RING BUOY 20"
1783536	ROPE, NYLON 3/8" (600'ROLL) (LAND&SEA)
1779367	ROPE, NYLON DOCKLINE 5/8"X 40'BLK
187237	TAG, WARNING ANTI-FREEZE

**COCKPIT REFRIGERATOR - 120V/60**

352112	BRKR/ROCK, SGL-POLE AC/DC HORZ 20A RED
1658368	REFRIGERATOR, 2.7 CF
1683925	SUPPORT, HDPE 360DA-02 REFRIGERATOR

**COCKPIT REFRIGERATOR - 220V/50**

352112	BRKR/ROCK, SGL-POLE AC/DC HORZ 20A RED
1671064	REFRIGERATOR, 2.7 CF AC/DC 220/50
1683925	SUPPORT, HDPE 360DA-02 REFRIGERATOR

**WINDLASS - LOFRANS - CHAIN**

1145275	ANCHOR SHACKLE, JAW/JAW SWIVEL HVY DTY 3/8"
1048743	CHAIN STOP, SS W/LANYARD (WINDLINE)
225060	CHAIN, GRADE 40 GALV 5/16" 200'

**C E OPTION GROUP**

1737744	BLKHD, P/B 420DA-03 CKPT PRT BLCKOFF FWD
1737745	BLKHD, P/B 420DA-03 CKPT PRT BLCKOFF OTBD
256693	CLAMP, HOSE #24 1"-2" SS .505
1266790	FIRE EXT SYS, FM200 500CF GAS/DSL-MAN/AUTO
598169	HALON CABLE, MANUAL PULL CABLE 18'
172726	HOSE CUFF, 1.5" RH WHT
490219	HOSE, CORR SAN/WATER-FILL 1.5" RH
1745514	LABEL, PREVENT DISCHARGE OF POLLUTANTS
976431	PLATE, CE OPT B:15PERSON/1815KG
529016	PUMP, BILGE 16GPM MANUAL TWO POS
1521426	THRU-HULL, SS 1.5"X 1.5"BARB

**OWNER ORIENTATION VIDEO - PAL FORMAT**

968370	VIDEO, 97 OWNER ORIENTATION SPYCHT/YCHT PAL
--------	---

**DSS SATELLITE TELEVISION SYSTEM**

513895	ACCESS PLATE, PAINTED PLAS 5" WHT
1450147	ANTENNA, DSS TRAC VISION 4
1539204	BRACKET, 1/8"X 3.5"X 5" ANTENNA MOUNT
1643097	BRACKET, ALUM DSS DOME MOUNT 550DA-02
351973	BRKR/ROCK, SGL-POLE AC/DC HORZ 5A RED
791459	CABLE, COAXIAL RG6 1000' BLK
1779735	CABLE, COAXIAL RG6 1000' WHT
135228	CABLE, MARINE STRANDED 14/3 BLK/GRN/WHT
1646900	CABLE, MARINE UL BOAT 14/3 EURO
864306	CONN, COAX 'F' TWIST-ON
184622	CONN, COUPLER TV/FM ANTENNA TYPE F-81
969279	CORD, 25'PHONE
1741010	COVER PLATE, IDEA-SERIES 4-GANG NKL RONDO
1781382	COVER, HDPE ACCESS 6"X 9"X 1/4" W/1/2"RAD S/F
122853	FITTING, WATER TIGHT OUTLET FOR 5/16" CABLE
914705	FRAME, IDEA-SERIES 4-GANG SUPPORT
1429265	HEAT SHRINK, TUBING BLK 1/4"X 4'
1688700	LABEL, RCA DSS UNIT
969261	MODULAR JACK, BASE BOARD MOUNT
1783890	STEREO, RECEIVER RCA DSS RF

**110V/60 - FOR INT'L ENTERTAINMENT EQUIPMENT**

1761365	DVD, CYBERHOME CH-DVD 300 PAL TUNER 120/240V
1757868	TELEVISION, 15" SHARP LCD PANEL EURO
1798963	TELEVISION, 20" SHARP LCD LC20SH1E 220V
1757867	TELEVISION, 20" SHARP LCD PANEL 220V
1798962	TELEVISION, 15" SHARP LCD LC15SH1E EURO

**CANADIAN CONFORMITY STICKER**

1266790	FIRE EXT SYS, FM200 500CF GAS/DSL-MAN/AUTO
1741234	LABEL, STICKER 420DA CANADIAN CONFORMITY

**ROD HOLDERS - ( 2 )**

1313915	ROD HOLDER, FLUSH MNT SS 30DEG CONTR MED
1795401	ROD HOLDER, FLUSH MNT SS 30DEG CONTR W/LOGO

**ENGINE SYNCHRONIZER - DIESEL ENGINES**

679324	ACTUATOR, ROCK BLK W/BUE LENS ACCY
681502	BODY, ROCK SW SPST 12V W/INDEP INC LAMP
186221	BRACKET, ALUM 1.5"X 1.5"X 1.5" SUPPORT
775775	BRKR, P/BTN-MANUAL RESET 7A W/SCREW TER
1335918	CABLE, CONTROL TELEFLEX TFXXTREME 13'
1335850	CABLE, CONTROL TELEFLEX TFXXTREME 27'
154823	CONN, RING 16/14GA X 1/4R W/INSUL
1408434	PLUG KIT, DEUTSCH S/C 12-14AWG PIN
1314079	PLUG KIT, DEUTSCH S/C 14-16AWG PIN
219840	SYNCHRONIZER CABLE, 8FT "X" DRIVE
255364	SYNCHRONIZER CABLE, 9FT "X" DRIVE
1615368	SYNCHRONIZER, DRIVE JOINT CUMMINS #32005

**ENGINE SYNCHRONIZER - DIESEL ENGINES (continued)**

706887	SYNCHRONIZER, GLENDENNING ENG MANUAL
--------	--------------------------------------

**WINDLASS CAPSTAN**

1772550	WINDLASS, PROJECT 1000 CAPSTAN
---------	--------------------------------

**ENGINE SYNCHRONIZER - GAS ENGINES**

679324	ACTUATOR, ROCK BLK W/BUE LENS ACCY
681502	BODY, ROCK SW SPST 12V W/INDEP INC LAMP
648097	BODY, ROCK SW SPST BLK 12V INCAND
775775	BRKR, P/BTN-MANUAL RESET 7A W/SCREW TER
1685158	BRKR/ROCK, SGL-POLE C-SERIES DC IGNPRRT 10AYL
1335900	CABLE, CONTROL TELEFLEX TFXXTREME 10'
1335744	CABLE, CONTROL TELEFLEX TFXXTREME 16'
154823	CONN, RING 16/14GA X 1/4R W/INSUL
1408434	PLUG KIT, DEUTSCH S/C 12-14AWG PIN
1314079	PLUG KIT, DEUTSCH S/C 14-16AWG PIN
1314087	PLUG KIT, DEUTSCH S/C 14-16AWG SCKT
1583509	SYNCHRONIZER, STURDY ACCUSYCK GAS #002

**GENERATOR SOUND BOX - DIESEL ONLY**

1767594	GENERATOR, 9.0 MDKAV DSL ONAN W/SS 120V/60HZ
123810	HOSE, GEN PURPOSE 3/4"

**TEAK COCKPIT FLOORING**

1765752	FLOOR, TEAK CKPT/SWMPLTFM W/GLUE/INSTALL
---------	--

**VACUUM SYSTEM, CENTRAL - BEAM - 120V/60**

192500	CONN, ROMEX PLAS 1/2"
145078	COVER PLATE, SGL DUPLEX RECEPT BRN
1787508	COVER PLATE, SGL DUPLEX RECEPT BRN LVT
688721	COVER, CUSTOM CLAMSHELL (ABS/DR)
814087	GROMMET, O/B MOTOR WELL FLANGE BLK PLAS
1314376	VACUUM, CENTRAL SYS 110V W/INST KIT #34
1690898	VACUUM, CENTRAL SYS 110V WET/DRY #35
1334515	VACUUM, ELBOW 90DEG FM X FM 2" WHT
770354	VACUUM, HOSE 20' W/ATTACHMENTS
774679	VACUUM, HOSE 40' VINYL GREY 2"ID FLEX

**VACUUM SYSTEM, CENTRAL - BEAM - 220V/50**

688721	COVER, CUSTOM CLAMSHELL (ABS/DR)
814087	GROMMET, O/B MOTOR WELL FLANGE BLK PLAS
1314384	VACUUM, CENTRAL SYS 220V W/INST KIT #34
1788977	VACUUM, CENTRAL SYS 220V W/INST KIT #35
1334515	VACUUM, ELBOW 90DEG FM X FM 2" WHT
770354	VACUUM, HOSE 20' W/ATTACHMENTS
774679	VACUUM, HOSE 40' VINYL GREY 2"ID FLEX

**AUTOPILOT - RAYPILOT ST 7001+**

679324	ACTUATOR, ROCK BLK W/BUE LENS ACCY
1666163	AUTO PILOT, RAYPILOT ST7001 DISPLAY ONLY
1612761	AUTO PILOT, RAYPILOT TYPE 1 T150 CORE PACK
852483	AUTO PILOT, RAYPILOT TYPE I PUMP UNIT
648097	BODY, ROCK SW SPST BLK 12V INCAND
1727593	BRACKET, RUDDER INDICATOR
763813	FUSE, BLADE TYPE CLOSED 25A
1610427	HARNESS, MERC S-CRFT STEERING SNSR ASSY
1501832	HOSE, CONDUIT/SPLIT 3/8" FLAME RETARDANT
123919	HOSE, CORR BILGE 1.5" BLK
1747504	LABEL, COMPASS AREA KEEP AWAY MTL OBJECTS
1738311	PIN, COTTER PIN #3/32" X 1/2" SS
1738590	PLUG KIT, DEUTSCH DTHD04-1-8-P PLUG W/PIN
1735889	PLUG KIT, DEUTSCH DTHD06-1-8-S PLUG W/SCKT
1686649	PLUG KIT, DEUTSCH F/C 10-12AWG PIN
1408442	PLUG KIT, DEUTSCH S/C 8-10AWG PIN
1408475	PLUG KIT, DEUTSCH S/C 8-10AWG SCKT
785295	ROD, THREAD 6MM X 40.67CM SS
1776219	STEERING HOSE, 5/16"X 12"W/FITTINGS (SEASTAR)
1765809	STEERING HOSE, 5/16"X 16"W/FITTINGS (SEASTAR)
168807	STEERING, ADAPTER BRASS 1/4"MPT X 3/8"COMP
999284	STEERING, FITTING ELBOW TUBE TO 1/4"MPT
577312	TEE, BRASS 3/8"COMP X 1/4"MPT X 3/8"COMP
1126754	TIE, CABLE 15.5" SCREW MNT BLK SS BARB

**FIBERGLASS HARDTOP**

513895	ACCESS PLATE, PAINTED PLAS 5" WHT
1734475	BODY, ROCK SW DPDT BLK 12V INCAND
1539204	BRACKET, 1/8"X 3.5"X 5" ANTENNA MOUNT
1184183	CANVAS, SLIT 4" HUNTER GRN TWEED
1130061	CANVAS, SUNBRELLA HUNTER TWEED 60" GRN
122853	FITTING, WATER TIGHT OUTLET FOR 5/16" CABLE

**FIBERGLASS HARDTOP (continued)**

1174614	GASKET, DECK HATCH 20X20
1310838	GEL COAT, ARCTIC WHT (TOTES)
1776804	HATCH, DECK 20X20 ULTRA II NO CLP W/SNSHD SCW
1429265	HEAT SHRINK, TUBING BLK 1/4"X 4"
1765879	LABEL, DANGER DO NOT CLIMB/STORE ON HARDTOP
707158	LIGHT, NAV MASTHEAD COMBO WHT 4"
137380	LIGHT, NAV STERN FLUSH MT CKPT
1241850	PANEL, PLEX 550DA/560DB-02 RADAR ACCESS PLN B
1313758	PLUG KIT, DEUTSCH DT04-2P RECPT W/PIN
1314079	PLUG KIT, DEUTSCH S/C 14-16AWG PIN
1364736	PLUG KIT, DEUTSCH SEC LOCK PLUG 2-POS
1574771	SNAP BUTTON, W/1/4" BARREL BLK
779041	SNAP SOCKET, HARD ACTION
154476	SNAP STUD, DBL COMBO
154369	SNAP STUD, W/#8 X 3/8" PH SS
154377	SNAP STUD, W/#8 X 5/8" PH SS
1754363	SUPPORT, 420DA HARDTOP
1757396	SUPPORT, 420DA-04 RATCHET LIGHT MAST W/HT
1690169	TRACK, VINYL AWNING WHT "FLEX-A-RAIL" 20'
718080	TRIM RING, HATCH 20X20 1"LIP WHTPC
1764535	VELCRO, HOOK BLK 2" SEW ON
1764809	VELCRO, LOOP BLK 1"
1764808	VELCRO, LOOP BLK 2" SEW-ON
1755970	VINYL FILM, PLAS .040"X 55"X 111" STRATAGLASS
1753929	W/S, 420DA-04 SS W/ H/T CTR ONLY
1784010	WELT, POLYESTER/NYLON BLK
1788686	WELT, POLYESTER/NYLON BLK .78-.78
1422518	ZIPPER, #10 YKK 24" SEP/CONT BLK SINGLE SLIDE
1422559	ZIPPER, #10 YKK 48" SEP/CONT BLK SINGLE SLIDE
1422575	ZIPPER, #10 YKK 60" CONT BLK SINGLE SLIDE
178269	ZIPPER, #10 YKK 84" SEPARATED CONT BLK

**DASH COVER**

1130095	BINDING, CANVAS 7/8" HUNTER TWEED SNBRLA
1130061	CANVAS, SUNBRELLA HUNTER TWEED 60" GRN
1735576	LABEL, CANVAS 420DA-03
1574771	SNAP BUTTON, W/1/4" BARREL BLK
779041	SNAP SOCKET, HARD ACTION
154369	SNAP STUD, W/#8 X 3/8" PH SS
156893	WEBBING, POLYPROPYLENE 1" BLACK

**MAPLE FINISH**

1797472	BLINDS, 420DA-05 WOOD LIGHT OAK 1" SLT PRT
1797473	BLINDS, 420DA-05 WOOD LIGHT OAK 1" SLT STDB
964635	MAPLE, DOOR FRAME CAP 370AC
1799445	MAPLE, P/C 420DA-05 ENTRYWAY STEP 4PC
952234	MAPLE, S2S 7/8"X 8"X 8' STOCK
1748532	MAPLE, TRIM HORZ 72" FINISHED 80SH
1772735	MAPLE, TRIM HORZ SPYCHT 80SH P/F 60" N/RABBIT
1748525	MAPLE, TRIM HORZ SPYCHT/YACHT 80SH P/F 24"
1748531	MAPLE, TRIM HORZ SPYCHT/YACHT 80SH P/F 60"
1748535	MAPLE, TRIM HORZ SPYCHT/YACHT 80SH P/F 90"
1758103	MAPLE, TRIM VERT SPYCHT 80SH P/F 18"
1758104	MAPLE, TRIM VERT SPYCHT 80SH P/F 42"
1748497	MAPLE, TRIM VERT SPYCHT 80SH P/F 60"
1690017	MICA, 4'X 8'X.030"NATURAL MAPLE GLOSS GR20
1690019	MICA, 4'X 8'X.038"NATURAL MAPLE GLOSS GR12
1757729	TABLE TOP, SPYCHT SLN OVAL N/LIP FNSHD MAPLE
1690718	TAMBOUR, 1/8" 4 X 8 NATURAL MAPLE

**"455DA" MODEL DESIGNATORS**

1738916	EMBLEM, MODEL DESG 455 LTANT/BLK
1738688	EMBLEM, MODEL DESG 455 UTLMET/LTANT/BLK