

# **2000 450EB**

# **PARTS MANUAL**

# **450**

# **EXPRESS BRIDGE**



Sea Ray® Parts Manual, 2000 450 EXPRESS BRIDGE MRP # 1325869

Sea Ray Boats, 2600 Sea Ray Blvd., Knoxville, TN 37914. For information call 1-800-SRBOATS or fax 1-314-213-7878 (USA and International).

Internet address: <http://www.searay.com>

Note: Not all accessories shown in pictures or described herein are standard equipment or even available as options.

Options and features are subject to change without notice.

Confirm the availability of all accessories and equipment with an authorized Sea Ray® dealer.

# 2000 450 EXPRESS BRIDGE

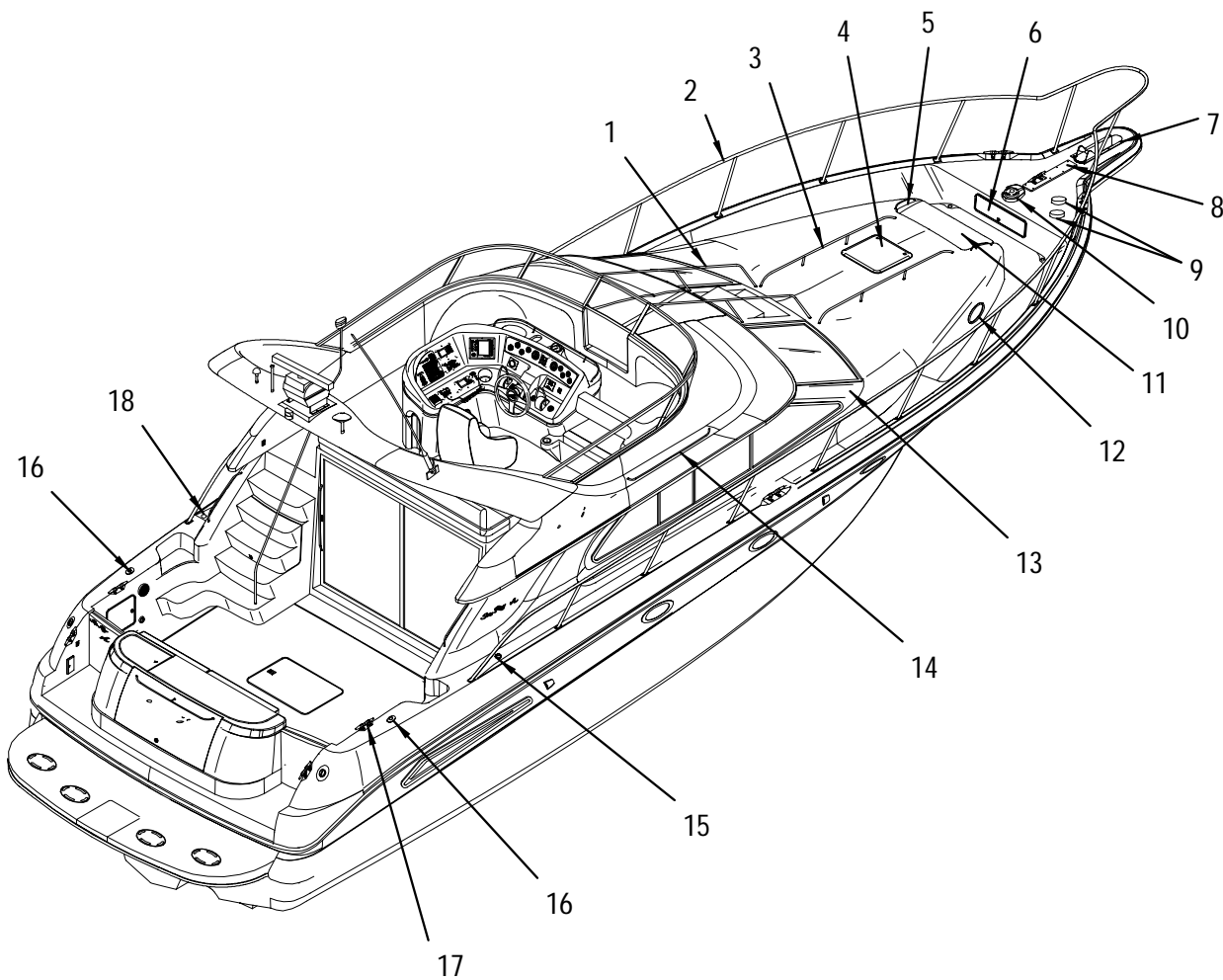
## TABLE OF CONTENTS



<u>STANDARD &amp; OPTIONAL LAYOUTS</u>	<u>PAGE</u>
EXTERIOR (DECK) . . . . .	1, 2
EXTERIOR (HULL, TRANSOM AND SWIM PLATFORM) . . . . .	3, 4
EXTERIOR (GRAPHICS) . . . . .	5
COCKPIT . . . . .	6, 7
BRIDGE (FORWARD HELM) . . . . .	8
BRIDGE (CONTROL STATION) . . . . .	9, 10
BRIDGE & SPOILER . . . . .	11, 12
BRIDGE UPHOLSTERY . . . . .	13, 14
UPPER CONTROL STATION SWITCH & INSTRUMENT PANELS . . . . .	15, 16
UPPER CONTROL STATION BREAKER PANEL . . . . .	17
DC BREAKER PANEL . . . . .	18
CANVAS AND BOW HARDWARE . . . . .	19, 20
FORWARD MASTER STATEROOM (PORT VIEW) . . . . .	21, 22
FORWARD MASTER STATEROOM (STARBOARD VIEW) . . . . .	23, 24
MASTER HEAD (PORT FORWARD) . . . . .	25, 26
GUEST HEAD (STARBOARD FORWARD) . . . . .	27, 28
GUEST STARBOARD STATEROOM . . . . .	29, 30
DINETTE . . . . .	31, 32
SALON WITH ENTERTAINMENT CENTER . . . . .	33, 34
MAIN DISTRIBUTION PANEL (240VAC) . . . . .	35
MAIN DISTRIBUTION PANEL (220VAC 50HZ) . . . . .	36
MAIN DISTRIBUTION PANEL (12VDC) . . . . .	37
GALLEY (UPPER) . . . . .	38, 39
GALLEY (LOWER) . . . . .	40, 41
AFT STATEROOM . . . . .	42, 43
BILGE (EXHAUST SYSTEM) . . . . .	44
BILGE . . . . .	45, 46
BILGE (ELECTRICAL DISTRIBUTION PANELS) . . . . .	47, 48
AIR CONDITIONING SYSTEM . . . . .	49, 50
OIL EXCHANGE SYSTEM . . . . .	51
STEERING SYSTEM . . . . .	52, 53
FUEL SYSTEM . . . . .	54, 55
FUEL (DISTRIBUTION BOARD) . . . . .	56
WATER SYSTEM (FORWARD) . . . . .	57, 58
WATER SYSTEM (AFT) . . . . .	59, 60
SEWAGE SYSTEM . . . . .	61, 62
DRAINAGE SYSTEM (FORWARD) . . . . .	63, 64
DRAINAGE SYSTEM (AFT) . . . . .	65, 66

<u>OPTIONS - PARTS LIST</u>	<u>PAGE</u>
TVD-3208TA (T-435PHP) V-DRIVE CAT. DIESELS . . . . .	67
TVD-3126TA (T-385 PHP) V-DR.INBOARDS DSLS . . . . .	67
TVD-3116TA (T-340 PHP) V-DR. CAT. DIESELS . . . . .	67
TVD-CUMMINS 6CTA (T-430 PHP) V-DR.INBOARDS . . . . .	67
CONSOLE COVER . . . . .	67
MACERATOR . . . . .	67
GRAY WATER SYSTEM . . . . .	67
BOW THRUSTER - ELECTRIC . . . . .	67
SAFETY PACKAGE - (C.G.PK.) . . . . .	67
FORWARD DECK SUN PAD (S) . . . . .	67
220 VOLT / 50 CYCLE ELECTRICAL SYSTEM . . . . .	67, 68
SPARE PROPS (PAIR) W/HOLDER . . . . .	68
GENERATOR SOUND BOX . . . . .	68
SPARE SHAFT - INSTALLED . . . . .	68
WATER DELIVERY - INCLUDES SAFETY PKG & FUEL . . . . .	68
COCKPIT TABLE . . . . .	68
LIVE BAITWELL SYSTEM . . . . .	68
WINDLASS - LOFRANS PROGRESS (CHAIN) . . . . .	68
AUTOPILOT-RAYTHEON RAYPILOT 650 -SINGLE STA . . . . .	68
C E OPTION GROUP . . . . .	68
TWIN DISC ELEC.SHIFT & THROTTLE CONTROLS . . . . .	68
HYDRAULIC MARINE LIFT SWIM PLATFORM SYSTEM . . . . .	68
VITRICOR - CLEAR MAPLE FINISH . . . . .	68
VITRICOR - SOVEREIGN CHERRY FINISH . . . . .	68
MANUAL BILGE PUMP . . . . .	69
AFT COCKPIT FULL BENCH SEAT & STORAGE BELOW . . . . .	69
GEN. WESTERBEKE DIESEL - 10.0KW -120V/60 . . . . .	69
LYNX-OPT.INTERIOR SEATING . . . . .	69
RADAR R41XX /601XX CHART PLOTTER-SINGLE STA . . . . .	69
FLUSH MOUNT FLOOD LIGHTS IN FIBERGLASS ARCH . . . . .	69
BOSE LIFESTYLE STEREO SYSTEM - 120V/60 . . . . .	69
BOSE LIFESTYLE STEREO SYSTEM - 220V/50 . . . . .	69
WINDLASS CAPSTAN . . . . .	69
BUFF ULTRALEATHER UPGRADE ( SUGGEST A & C ) . . . . .	69
MILKWEED ULTRALEATHER UPGRADE (SUGGEST B&D) . . . . .	69
RADAR - RAYTHEON R70RC . . . . .	69
RAYTHEON 750 FISH FINDER . . . . .	69

EXTERIOR (DECK)



## EXTERIOR (DECK)

1	1121987	RAIL, GRAB 450EB-98 FOREDECK STAIRWAY HAND
2	1106723	RAIL, BOW 450EB-98
3	1309152	RAIL, DECK RUNNER 450EB-99 78.25"
4	985754	HATCH, DECK 20X20 ULTRA II NO CLIPS
	1174614	GASKET, DECK HATCH 20X20
	858845	SCREEN, DECK SKYSCREEN 20"X 20" SLR
5	1115807	RAIL, GRAB 450EB-98 FOREDECK
6	778597	DOOR, STRG W/10"X 30 13/16" WHT FRAME 95
	1096262	FAUCET, SILLCOCK WASHDOWN (WHITECAP)
	124446	HOSE, GARDEN 5/8" WHT
	172742	HOSE, GARDEN 5/8" PLAS CONNECTOR MALE
	172759	HOSE, GARDEN 5/8" PLAS CONNECTOR FEMALE
	487371	BRACKET, BILGE WASHDOWN
	533430	VENT, CLAMSHELL ROPE LCKR 2"X2"
7	528547	DAVIT, ANCHOR SS W/ROLLER
	1145275	ANCHOR SHACKLE, JAW/JAW SWIVEL HVY DTY 3/8"
	140509	BOOT, ENG STARTER RED
	184143	ANCHOR, 35LB W/1800LB HOLD
	291666	CLEAT, 10" 4-BOLT SS
	525352	ANCHOR SHACKLE, W/SCREW PIN 1/2" SS (OPTION WINDLASS - (CHAIN) LOFRANS)
	697508	EYE, BOW 3/8"X 2.75"
	793471	PLATE, BACKING UNIVERSAL 3/16"
	798447	WINDLASS SOLENOID, LOFRANS CONTROL BOX 12V
	805499	LANYARD, CABLE ANCHOR 1/8" SS
	819342	HOOK, SNAP 3/8"X 4" SS
	830844	HOLDER, P/B WINDLASS CRANK HANDLE
	978940	STUD, 8MM X 110MM
8	1106780	PAD, HDPE 450EB-98 CHAIN GUARD
9	757765	WINDLASS FOOTSWITCH, HVY DUTY W/SAFTY CVR WHT
10	896910	WINDLASS, RP/CHN PROGI LO-PRO STD
	1048743	CHAIN STOP, SS W/LANYARD (WINDLINE) (OPTION WINDLASS - (CHAIN) LOFRANS)
	1235670	PLATE, BACKING CLEAT 2"X 3"X 1/8"
	1255140	WINDLASS, RP/CHN PROGI STD W/CPSTN (OPTIONAL WINDLASS CAPSTAN)
	225060	CHAIN, GRADE 40 GALV 5/16" 200'
	896902	ROPE/CHAIN KIT, LOFRANS 5/8"X 200'/5/16"X 25'
11	1380013	450EB 00, CUSH, SUNDECK PAD HIN#
	1380021	450EB 00, CUSH SKIN, SUNDECK PAD HIN#
	837229	FOAM, P/C 450DA SUNPAD FWD DECK WHT 95 (ABOVE #'S OPTIONAL FWD DECK SUN PAD)
12	1248376	PORTLIGHT, OPENING ALL SS 3/8"-7/8" MOD
	1107044	PORTLIGHT, HANDLES QUICKDOGS (BOMAR)
	1314459	PORTLIGHT, GASKET SATURATED FOAM
	1331313	PORTLIGHT, SCREEN 3/8"X 7/8"
	1331750	PORTLIGHT, LENS ONLY (BOMAR)
	817700	TRIM RING, PORTLIGHT 3/8" SS
	866434	KNOB, PORTLIGHT KNOB ONLY (BOMAR)
13	1113018	W/S, 450EB-98 ALUM CMPLT W/FAME REV W/RND
	1150275	W/S, 450EB-98 PORT FRONT WING REV (511-UP)
	1150283	W/S, 450EB-98 STBD FRONT WING REV (511-UP)
	1150291	W/S, 450EB-98 CENTER
	1150309	W/S, 450EB-98 SIDE PORT
	1150317	W/S, 450EB-98 SIDE STBD
	1364041	W/S, HDWR KIT ALUM
14	1115815	RAIL, GRAB 450EB-98 FLYBRIDGE
15	1109347	DECK PLATE, WASTE SS BLK CLR-CODE
	1123165	LATCH, 12MM BRASS SHAFT EXTENSION
	522581	DECK PLATE, CAP W/CHAIN
	522599	KEY, DECK PLATE CAP
16	1313915	ROD HOLDER, FLUSH MNT SS 30DEG CONTR MED
	124354	HOSE, PVC CLEAR 1/4"
	150508	ADAPTER, BRASS 1/4"MPT X 1/4"BARB
17	291666	CLEAT, 10" 4-BOLT SS
	1235670	PLATE, BACKING CLEAT 2"X 3"X 1/8"
18	1109321	DECK PLATE, WATER SS BLUE CLR-CODE
	522557	DECK PLATE, CAP W/CHAIN GAS/WATER
	522599	KEY, DECK PLATE CAP

## DECALS/LABELS/TAGS

1105477	DECAL, PREFERRED CUSTOMER CLUB
1112879	LABEL, DANGER SHUT OFF ENG WHEN NEAR SWIMMERS
1113562	LABEL, WARNING DO NOT STAND/WALK THIS AREA
1235928	LABEL, ARROW'S LINE UP HERE
187179	TAG, WARNING RED
221770	LABEL, "LINE 1" (LEXAN)
221788	LABEL, "LINE 2" (LEXAN)
221861	LABEL, SLING (LEXAN)
276808	LABEL, STICKER SHORE POWER WARNING 50/30 OPT

## DECALS/LABELS/TAGS (continued)

642108	DECAL, STRUCTURAL WARRANTY
652370	LABEL, STICKER LOADED BY TRANSPORTATION
711176	DECAL, PREMIUM VINYLESTER RESIN
921759	LABEL, DANGER STAY CLEAR OF MOVING PARTS
987727	LABEL, DANGER COMBO-DSL POWERED BOAT
996199	LABEL, ABYC MEMBERSHIP

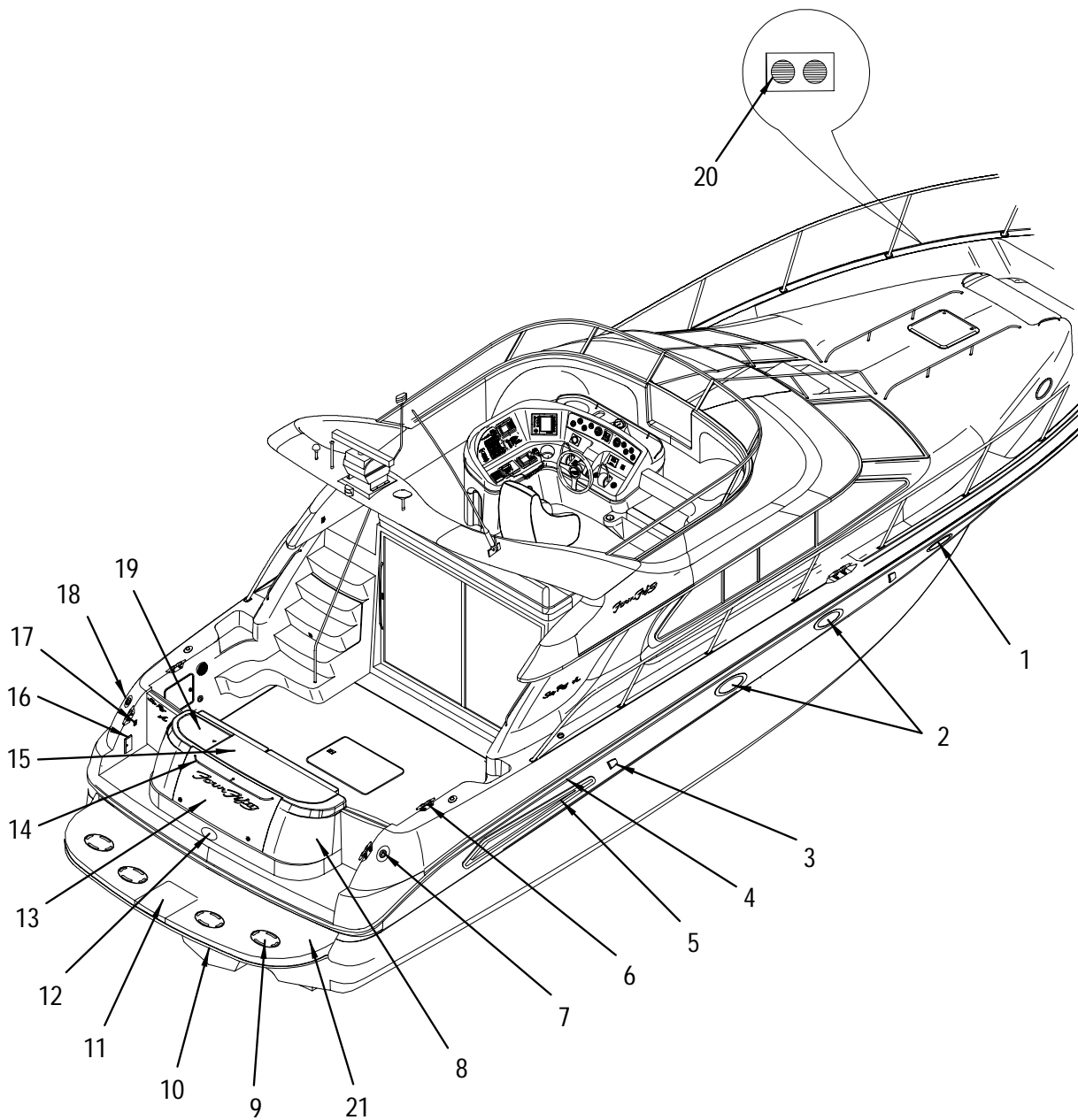
## VAC PACK

1110717	EMBLEM, VACPAC SR LOGO W/ISO/E LRG
159236	VINYL FILM, CELL-AIR PACKING
413070	TAPE, VAC PAK WHT (2"X 36YDS) PRESERVATION
419861	VINYL FILM, VAC PACK SHRINK 8MM X 30'X 250'
468934	TAPE, VAC PAK WHT (4"X 36YDS) PRESERVATION
524868	VINYL FILM, VAC PACK ZIPPER DOOR 30"X 48"WHT

## NOT SHOWN

126599	EYE, STERN 1/2"X 3 7/16" W/BACKING PLATE
198465	BRACKET, ALUM 1/8"X 3/4"X 1.5"X 3"L SUPPORT

EXTERIOR (HULL, TRANSOM AND SWIM PLATFORM)



**EXTERIOR (HULL, TRANSOM AND SWIM PLATFORM)**

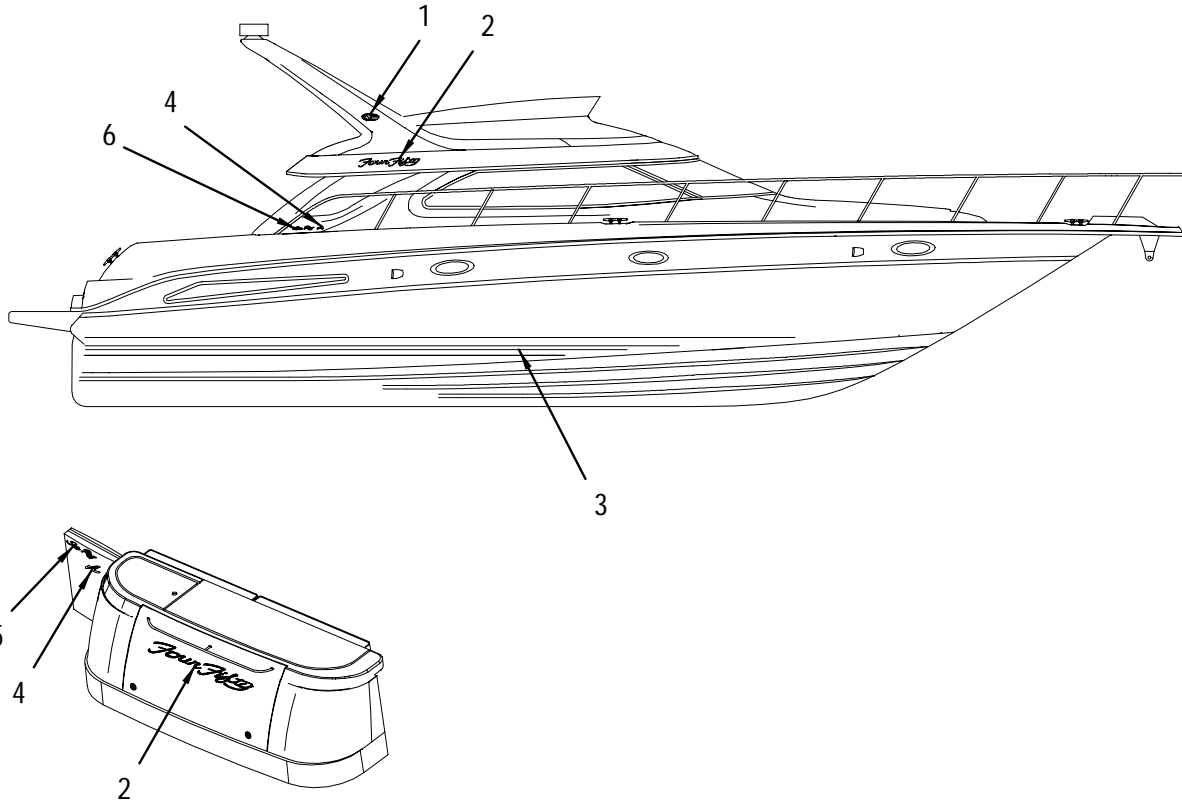
- 1 1248384 PORTLIGHT, OPENING ALL SS 3/8"-7/8" MOD FROS
- 1107044 PORTLIGHT, HANDLES QUICKDOGS (BOMAR)
- 1314459 PORTLIGHT, GASKET SATURATED FOAM
- 1331313 PORTLIGHT, SCREEN 3/8"X 7/8"
- 1331727 PORTLIGHT, LENS ONLY FROSTED (BOMAR)
- 817700 TRIM RING, PORTLIGHT 3/8" SS
- 866434 KNOB, PORTLIGHT KNOB ONLY (BOMAR)
- 2 1248376 PORTLIGHT, OPENING ALL SS 3/8"-7/8" MOD
- 1107044 PORTLIGHT, HANDLES QUICKDOGS (BOMAR)
- 1314459 PORTLIGHT, GASKET SATURATED FOAM
- 1331313 PORTLIGHT, SCREEN 3/8"X 7/8"
- 1331750 PORTLIGHT, LENS ONLY (BOMAR)
- 817700 TRIM RING, PORTLIGHT 3/8" SS
- 866434 KNOB, PORTLIGHT KNOB ONLY (BOMAR)
- 3 957175 COVER, CUSTOM CLAMSHELL LRG W/1CUTOUT(ABS/DR)
- 4 1080100 INSERT, RUB RAIL SS 3/4"X 12" (.062/304SS)
- 897322 RUBRAIL, PVC ARCWHT 20" (SS INSERT 3/4")
- 5 1275312 COVER, RTM 370/420AC-99 BILGE VENT PORT ARW
- 1275338 COVER, RTM 370/420AC-99 BILGE VENT STBD ARW
- 896811 VENT, T/F 420AC OUTER BILGE INSERT PORT
- 896829 VENT, T/F 420AC OUTER BILGE INSERT STBD
- 6 291666 CLEAT, 10" 4-BOLT SS
- 1235670 PLATE, BACKING CLEAT 2"X 3"X 1/8"
- 7 1109347 DECK PLATE, WASTE SS BLK CLR-CODE
- 522581 DECK PLATE, CAP W/CHAIN
- 522599 KEY, DECK PLATE CAP
- 8 1381037 450EB 00, TRANSOM WALL, FBGLS HIN#
- 9 973842 INSERT, HDPE SWMPLTFM W/SR LOGO ARW
- 1157056 INSERT, HDPE TWO/TONE NO LOGO  
(TNT HYDRAULIC MARINE LIFT SWIM PLATFORMOPTION)
- 1096080 INSERT, HDPE TWO/TONE (SEA RAY)  
(TNT HYDRAULIC MARINE LIFT SWIM PLATFORMOPTION)
- 10 743625 TRIM, EDGE WHITE MOTOR BOX LARGE
- 11 870899 HATCH, RTM LADDER RCSD ADDL PLTFM ARW 96
- 508820 BUMPER, CANOE CLIP ROUND BLK SWIM LADDER
- 636365 HINGE, SS CONT 2"X 15"
- 829739 CLEAT, HDPE 3/4"X 3/4"X 5" DKGRY
- 1225564 LADDER, GUDGEON SLIDING W/HANDLE
- 941344 LADDER, SWIM 3-STEP SS CONCEALED REV GUDGNS
- 1225762 LADDER, SWIM MID "U"
- 1225770 LADDER, SWIM TOP "U"
- 1225788 LADDER, SWIM BTM "U"
- 909317 LADDER, TREAD 11.75"  
(ABOVE # MID)
- 909325 LADDER, TREAD 12 7/8"  
(ABOVE # BOTTOM)
- 973446 LADDER, TREAD 10 3/8"  
(ABOVE # TOP)
- 12 994558 HAWSE PIPE, FLANGE SS OVAL
- 13 1378868 450EB 00, DOOR, STRG TRANSOM FBGLS HIN#
- 1096262 FAUCET, SILLCOCK WASHDOWN (WHITECAP)
- 1114743 PANEL, 450EB-98 BAITWELL SWITCH  
(ABOVE # OPTION LIVE BAITWELL SYSTEM)
- 1115948 CBLMSTR KIT, 12V 75'L/PRO CORD W/REMOTE
- 1253293 LATCH, TRNSM STRG
- 133694 INLET, PHONE/TV CABLE COMBO WHT  
(ABOVE # OPTION 220/50 ELECTRICAL SYS)
- 133702 INLET, PHONE/TV CABLE COMBO SS
- 136085 CORD SET, TV CABLE 50FT
- 136093 CORD SET, PHONE 50FT
- 141168 INLET, WATER W/PRESS REGULATOR WHT
- 145110 RECEPTACLE, GFI DUPLEX GREY 15A
- 206268 CORD SET, 220V/50H 16A 50FT  
(ABOVE # OPTION 220/50 ELECTRICAL SYS)
- 206276 INLET, SHORE POWER WHT 220V/50H 16A  
(ABOVE # OPTION 220/50 ELECTRICAL SYS)
- 634592 BRACKET, SS GAS CYL FLAT W/BALL STUD
- 732792 BRACKET, SS GAS CYL 90DEG 2.062" W/STUD
- 777268 LATCH, FLUSH MOUNT PULL WHT 2MM-7MM
- 826305 CYLINDER, GAS 40PSI 20"EXT X 12"COMP
- 852582 LABEL, UNPLUG SHORE POWER WARNING
- 852616 LABEL, LEAVING DOCKSIDE WATER CONNECTED WARN
- 858407 MODULE, MUX LIGHT SWITCH CONTROLLER 12V
- 916833 DRAIN, PUSH IN 3/8" WHT
- 14 1063833 RAIL, GRAB 480DB-98 TRANSOM TAFT
- 15 1378876 450EB 00, LID, LIVEWELL FBGLS HIN#
- 1378884 450EB 00, LIVEWELL, CMPLT FBGLS HIN#
- 851360 HINGE, SS CONT 2"X 71.5" (PIN DIA .125)
- 916833 DRAIN, PUSH IN 3/8" WHT
- 16 736702 FAUCET, WASHDOWN BOX W/MIXER (AQUATIK) VERT

- 16 1298710 FAUCET, CARTRIDGE CERAMIC 90DEG LH
- 1302504 FAUCET, CARTRIDGE CERAMIC 90DEG RH
- 1302579 FAUCET, WASHDOWN SHOWER UNIT ONLY (AQUATIK)
- 1302587 FAUCET, WASHDOWN DOOR ONLY (AQUATIK)
- 1302595 FAUCET, WASHDOWN HOSE W/FPT ONLY(AQUATIK)
- 1302603 FAUCET, WASHDOWN SPRAYER HEAD ONLY(AQUATIK)
- 17 851253 PANEL, CKPT LIGHTS SWITCH WHT
- 18 1114263 DECK PLATE, DSL SS 2" GRN CLR-CODE
- 522581 DECK PLATE, CAP W/CHAIN
- 522599 KEY, DECK PLATE CAP
- 19 1043900 LID, HDPE 480DB STRG/BAITWELL
- 1378892 450EB 00, BAITWELL, CMPLT OPT FBGLS HIN#  
(ABOVE # OPTION LIVE BAITWELL SYSTEM)
- 626184 DRAIN, BAITWELL 1.5"ELBOW W/16.5"STANDPIPE  
(ABOVE # OPTION LIVE BAITWELL SYSTEM)
- 20 824748 HORN CVR, CONCEALED DUAL WHT LG
- 796805 HORN, DUAL CONCEALED TRUMPET AIR
- 21 1378843 450EB 00, SWIM PLATFORM, FBGLS HIN#
- 1320183 WASHER, FENDER 3/8"X 2"X 1/8" SS
- 1378850 450EB 00, SWIM PLATFORM, OPT TNT FBGLS HIN#  
(TNT HYDRAULIC MARINE LIFT SWIM PLATFORMOPTION)
- 1087485 LABEL, PLATFORM MAXIMUM CAPACITY 800#  
(TNT HYDRAULIC MARINE LIFT SWIM PLATFORMOPTION)
- 1096064 ACCESS PLATE, POLYPROP TWIST-OUT 8" WHT  
(TNT HYDRAULIC MARINE LIFT SWIM PLATFORMOPTION)
- 1149129 BRACING BARS, SWMPLTFM 450EB/460DA/480DB  
(TNT HYDRAULIC MARINE LIFT SWIM PLATFORMOPTION)
- 1202001 LIFT ASSY, 450EB/460DA-00 BRKT/ARM W/INFACE  
(TNT HYDRAULIC MARINE LIFT SWIM PLATFORMOPTION)
- 1202035 CHOCK, ADJUSTABLE  
(TNT HYDRAULIC MARINE LIFT SWIM PLATFORMOPTION)
- 1217827 TRACK, SWMPLTFM  
(TNT HYDRAULIC MARINE LIFT SWIM PLATFORMOPTION)
- 1302025 SWITCH, MAIN SOLENOID CONT W/PIGTAIL 12V  
(TNT HYDRAULIC MARINE LIFT SWIM PLATFORMOPTION)
- 1321819 HARNESS, 400DB/450EB-00 SWIM PLATFORM 64"  
(TNT HYDRAULIC MARINE LIFT SWIM PLATFORMOPTION)
- 1323146 PANEL, SWIM PLTFM SWITCH-00 WHT  
(TNT HYDRAULIC MARINE LIFT SWIM PLATFORMOPTION)
- 1334499 MANUAL, OWNERS - NAUTICAL LIFT  
(TNT HYDRAULIC MARINE LIFT SWIM PLATFORMOPTION)
- 1334507 TIE DOWN STRAP, NAUTICAL LIFTS  
(TNT HYDRAULIC MARINE LIFT SWIM PLATFORMOPTION)
- 182360 BRKR, MANUAL RESET KLIXON 150A  
(TNT HYDRAULIC MARINE LIFT SWIM PLATFORMOPTION)
- 653238 ACCESS PLATE, PLAS T-HANDLE 6" WHT  
(TNT HYDRAULIC MARINE LIFT SWIM PLATFORMOPTION)
- 743625 TRIM, EDGE WHITE MOTOR BOX LARGE  
(TNT HYDRAULIC MARINE LIFT SWIM PLATFORMOPTION)
- 921759 LABEL, DANGER STAY CLEAR OF MOVING PARTS  
(TNT HYDRAULIC MARINE LIFT SWIM PLATFORMOPTION)
- 978809 FUSE HOLDER, BLADE ANL  
(TNT HYDRAULIC MARINE LIFT SWIM PLATFORMOPTION)

**NOT SHOWN**

- 144360 BOLT, ZINC #3/8-16 X 4.5" SIL/BRZ
- 144378 NUT, ZINC 3/8-16 SIL/BRZ
- 398222 ZINC, TRANSOM ZINC LARGE

**EXTERIOR (GRAPHICS)**



**EXTERIOR (GRAPHICS)**

- 1 809707 EMBLEM, SEA RAY FIBERGLASS (ARCH)
- 2 1121037 EMBLEM, URETHANE "FOUR FIFTY" DRIP GLD/BLK
- 1122043 EMBLEM, URETHANE "FOUR FIFTY" DRIP BLUE
- 1122050 EMBLEM, URETHANE "FOUR FIFTY" DRIP GRN
- 3 913996 TAPE, M/S 5"W/3/4"VOID BLK/GLDMET
- 944686 TAPE, M/S 5"W/3/4"VOID BLK/LTJADESTN
- 944694 TAPE, M/S 5"W/3/4"VOID BLK/MISTBL
- 4 735605 EMBLEM, S/R LOGO/WAVE GOLD MED (BLK/GOLD)
- 205575 EMBLEM, S/R LOGO/WAVE CHROME MED (BLUE/GRN)
- 5 748236 EMBLEM, "SEA RAY" SCRIPT GOLD 5" (BLK/GOLD)
- 188060 EMBLEM, "SEA RAY" SCRIPT CHROME 5" (BLUE/GRN)
- 6 735597 EMBLEM, "SEA RAY" SCRIPT GOLD 13" (BLK/GOLD)
- 211607 EMBLEM, "SEA RAY" SCRIPT CHROME 13" (BLUE/GRN)

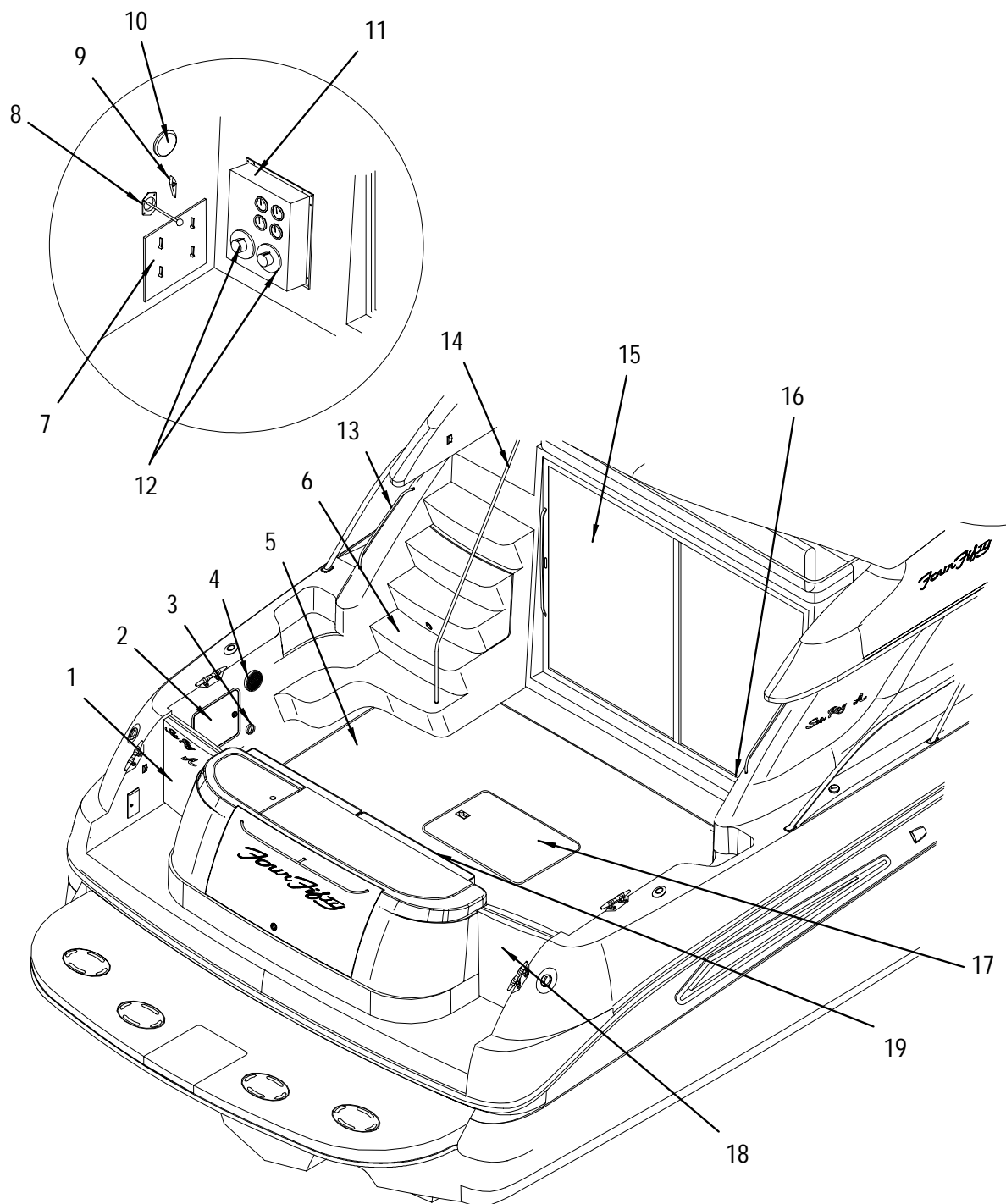
**GEL COATS**

- 665877 GEL COAT, WHT (SUMMER)
- 665885 GEL COAT, WHT ARMORCOTE (SUMMER)
- 101154 GEL COAT, BILGE GRY MIS/MIX (BILGE)
- 1047307 GEL COAT, DESERT BEIGE PC/SC (INT B, C, D)

**GEL COATS (continued)**

- 665893 GEL COAT, ANTIQUE WHT (SUMMER) (INT A)
- 868885 PAINT, BOTTOM BLACK (AQUACLEAN) (BOTTOM PAINT)
- 894782 GEL COAT, SNDSTN GRANICOAT (SANDSTONE/GALLEY)
- 894790 GEL COAT, BONE SNDSTN BACKCOAT
- 987792 GEL COAT, AURORA GRANICOAT (AURORA/GALLEY)

COCKPIT





**COCKPIT**

- 1 1378900 450EB 00, DOOR, TRANSM PORT FBGLS HIN#
- 159103 BOLT, BARREL CHR 4 7/16" BOLT 5.25" LOA
- 190579 BUSHING, NYLON 0.76" OD X 3/8" SHAFT
- 811000 LABEL, DANGER TRNSM DOOR (LEXAN)
- 960120 HINGE, SS CONT 3" X 20"
- 2 1217702 DOOR, STRG W/O NTCH W/17X17 WHT FRM L/R
- 778555 DOOR, STRG W/O NOTCH W/17X17 WHT FRAME LH 95
- 3 1227412 LIGHT, NAV STERN FLUSH MT RND CHR/BRS N/STUDS
- 901199 BULB, STERN NAV LIGHT REPL #137406-1227412
- 4 1049865 SPEAKER, COAXIAL EXT 6.5" CM1620
- 1140409 GRILL, SPEAKER EXT 6.5" WHT CM1620
- 5 1378918 450EB 00, HATCH, CKPT SOLE FBGLS HIN#
- 1224088 CARPET, EXT 28 OZ DUNE MARBLE #903 RL
- 1380039 450EB 00, CARPET, SNAPIN LINER CMPLT HIN#
- 1380047 450EB 00, CARPET, SNAPIN LNER CMPLT W/TBL HI#
- 6 1378934 450EB 00, STEP, CKPT/BRIDGE FBGLS HIN#
- 222026 LABEL, FUEL SHUT-OFF (LEXAN)
- 634592 BRACKET, SS GAS CYL FLAT W/BALL STUD
- 732792 BRACKET, SS GAS CYL 90DEG 2.062" W/STUD
- 826305 CYLINDER, GAS 40PSI 20" EXT X 12" COMP
- 832014 LATCH, FLUSH D-RING W/O LOCK W/INDICATOR WHT
- 7 964296 PANEL, HDPE 580SS-97 FUEL CROSSOVER
- 841411 BRACKET, 2" X 3" X 5" FUEL BOARD VALVE
- 897751 PANEL, 580SS-97 FUEL CROSSOVER
- 8 604959 PUMP, BILGE 16GPM MANUAL THRU DECK MNT
- (OPTION MANUAL BILGE PUMP)
- 9 1102193 PANEL, 560DB-98 MANUAL BILGE PUMP
- (OPTION MANUAL BILGE PUMP & CE OPTION)
- 141721 VALVE, DIVERter 1.5"
- (OPTION MANUAL BILGE PUMP & CE OPTION)
- 10 137349 ACCESS PLATE, PLAS CVR 5" WHT
- 11 1291277 GAUGE, VOLTMETER 10-16 MLSS A/F
- 1291335 GAUGE, OIL PRESS 0-100 2" 12V MLSS A/F
- 1291483 GAUGE, WATER TEMP 240 DEG 12V MLSS A/F
- 1291541 GAUGE, HOUR 2" 12V MLSS A/F
- 1310580 PANEL, 450EB/460DA/480DB-00 BATT SWITCH A/F
- 12 136150 SWITCH, BATTERY ON/OFF DSL W/DISC
- 13 781195 RAIL, GRAB 20" 95
- 14 1120526 RAIL, GRAB 450EB-98 BRDG/CKPT STAIRWAY
- 15 1085018 DOOR, 450EB-98 CABIN ENTRY ALUM
- 1150333 DOOR, 450EB-98 CABIN X-PANEL
- 1150341 DOOR, 450EB-98 CABIN O-PANEL
- 1150358 DOOR, 450EB-98 CABIN MAIN FRAME
- 1150366 DOOR, 450EB-98 CABIN SCREEN
- 1150374 DOOR, 450EB-98 HARDWARE KIT
- 852640 LABEL, DOOR SECURED UNDERWAY
- 16 1163054 STEREO, REMOTE CNTRL WHT BZL/WHT FACE
- 778639 DOOR, STRG W/14.75" X 23.75" WHT FRM RH 95
- 935080 CABLE, CLARION DUAL REMOTE "Y"
- 17 1378942 450EB 00, HATCH, BILGE SERVICE CKPT FBGLS HI#
- 140285 HINGE, SS CONT 2" X 72" (.225 CURL WIDTH)
- 258509 LABEL, DISCHARGE OF OIL (LEXAN)
- 407247 FLOORING, VINYL GRID DECKING WHT "DRI-DEK"
- 634592 BRACKET, SS GAS CYL FLAT W/BALL STUD
- 704486 MOLDING, FOAM RBR "D-SHAPE" 1.75" W/ADH
- 732792 BRACKET, SS GAS CYL 90DEG 2.062" W/STUD
- 826305 CYLINDER, GAS 40PSI 20" EXT X 12" COMP
- 896217 PULL, FLUSH HATCH CHR T-HNDL
- 18 1378926 450EB 00, DOOR, TRANSM STBD FBGLS HIN#
- 159103 BOLT, BARREL CHR 4 7/16" BOLT 5.25" LOA
- 190579 BUSHING, NYLON 0.76" OD X 3/8" SHAFT
- 811000 LABEL, DANGER TRNSM DOOR (LEXAN)
- 960120 HINGE, SS CONT 3" X 20"
- 19 1380054 450EB 00, CUSH, FOLDOUT PORT AFT CKPT HIN#
- 1380062 450EB 00, CUSH SKIN, FOLDOUT PT AFT CKPT HI#
- 1380070 450EB 00, CUSH, FOLDOUT STBD AFT CKPT HIN#
- 1380088 450EB 00, CUSH SKIN, FOLDOUT STB AFT CKPT HI#
- 1063874 FOAM, P/C 450EB/480DB-98 CKPT STD
- 1078625 LIGHT, COURTESY WATERPROOF FRONT MNT W/NUT
- 1155720 FOAM, P/C 450EB-98 CKPT FOLD-OUT SEAT
- 1253293 LATCH, TRNSM STRG
- 129254 CHANNEL, ALUM SLIDE TRK 7/8" X 7/16" X 12"
- 140244 CATCH, SGL ROLLER WHT NYLON W/STRIKE LRG
- 140285 HINGE, SS CONT 2" X 72" (.225 CURL WIDTH)
- 141911 HINGE, AL CONT 1.25" X 72" BRT
- 407247 FLOORING, VINYL GRID DECKING WHT "DRI-DEK"
- 464115 LANYARD, 6" W/TAB
- 738971 SLIDE, HDPE AFT CKPT SEAT/BAIT CTR ASSY ARW
- 810135 PIN, QUICK RELEASE SS W/RING 5/16" X 1.3"
- 819789 SUPPORT, SWING LEG ASSY 12.5" W/PIN HOLE

- 19 1378967 450EB 00, BASE, SEAT STBD AFT CKPT FBGLS HIN#
- 1378959 450EB 00, BASE, SEAT PORT AFT CKPT FBGLS HIN#
- 1380096 450EB 00, BLSTR, FOLDOUT AFT CKPT HIN#
- 1380104 450EB 00, BLSTR SKIN, FOLDOUT AFT CKPT HIN#
- 1380112 450EB 00, CUSH, BENCH AFT PORT (OPT) CKPT HI#
- (AFT COCKPIT FULL BENCH SEAT & STORAGE OPTION)
- 1380120 450EB 00, CUSH SKIN, AFT BNCH PT OPT CKP HI#
- (AFT COCKPIT FULL BENCH SEAT & STORAGE OPTION)
- 1380138 450EB 00, CUSH, BENCH AFT STB OPT CKPT HI#
- (AFT COCKPIT FULL BENCH SEAT & STORAGE OPTION)
- 1380146 450EB 00, CUSH SKIN, BNCH AFT STB OPT CKPT HI#
- (AFT COCKPIT FULL BENCH SEAT & STORAGE OPTION)
- 1378975 450EB 00, BASE, BENCH OPT AFT CKPT FBGLS HI#
- (AFT COCKPIT FULL BENCH SEAT & STORAGE OPTION)
- 1086149 FOAM, P/C 480DB/540CMY/560DB CKPT (OPT BENCH)
- (AFT COCKPIT FULL BENCH SEAT & STORAGE OPTION)
- 1150754 FOAM, P/C 450EB-98 OPT SEAT W/STRG
- (AFT COCKPIT FULL BENCH SEAT & STORAGE OPTION)
- 1175090 CANVAS, 450EB-99 CKPT SEAT CVR HNTR
- (AFT COCKPIT FULL BENCH SEAT & STORAGE OPTION)
- 1196500 CANVAS, 450EB-99 CKPT SEAT CVR MEDB
- (AFT COCKPIT FULL BENCH SEAT & STORAGE OPTION)
- 1247006 CANVAS, 450EB-00 CKPT SEAT CVR TST
- (AFT COCKPIT FULL BENCH SEAT & STORAGE OPTION)
- 140087 HINGE, LOOSE PIN CHROME
- (AFT COCKPIT FULL BENCH SEAT & STORAGE OPTION)
- 140244 CATCH, SGL ROLLER WHT NYLON W/STRIKE LRG
- (AFT COCKPIT FULL BENCH SEAT & STORAGE OPTION)
- 634550 BRACKET, SS GAS CYL 90DEG L-BRKT W/BALL LONG
- (AFT COCKPIT FULL BENCH SEAT & STORAGE OPTION)
- 732792 BRACKET, SS GAS CYL 90DEG 2.062" W/STUD
- (AFT COCKPIT FULL BENCH SEAT & STORAGE OPTION)
- 743625 TRIM, EDGE WHITE MOTOR BOX LARGE
- (AFT COCKPIT FULL BENCH SEAT & STORAGE OPTION)
- 775874 HINGE, SS CONT 2" X 36" POLISHED
- (AFT COCKPIT FULL BENCH SEAT & STORAGE OPTION)
- 826305 CYLINDER, GAS 40PSI 20" EXT X 12" COMP
- (AFT COCKPIT FULL BENCH SEAT & STORAGE OPTION)

**COCKPIT TABLE OPTION**

- 1266006 TABLE, RTM 540/550DA-02 CKPT ARW
- 1287127 HOLDER, HDPE SPYACHT-00 CKPT TBL DRINK INSERT
- 1311646 FBRGLS PART, CKPT TBL BASE
- 198093 POST, TABLE LEG 19" - 32" W/GAS CYL ALUM
- 198101 MOUNT, LEG/POST FLUSH MT ALUM 76MM(ZWAARDVIS)
- 198119 SPIDER, LEG/POST MT ALUM (ZWAARDVIS)
- 398420 BUMPER, NAIL-ON GLIDE 1 1/8" DIA WHT 4PK

**LABELS**

- 221903 LABEL, FRESH WATER (LEXAN)
- 221960 LABEL, CAUTION RUNNING BOAT (LEXAN)
- 852632 LABEL, WARNING LEAKING FUEL

**VINYL-BASE 1**

- 1143148 VINYL, GRANDE D SEA WHITE EXP FLAT
- 1143155 VINYL, GRANDE D SEA WHITE EXP 1/4"F/B

**VINYL-BASE 2**

- 1142959 VINYL, SEABROOK D SEA WHITE EXP FLAT
- 1142967 VINYL, SEABROOK D SEA WHITE 1/4"F/B

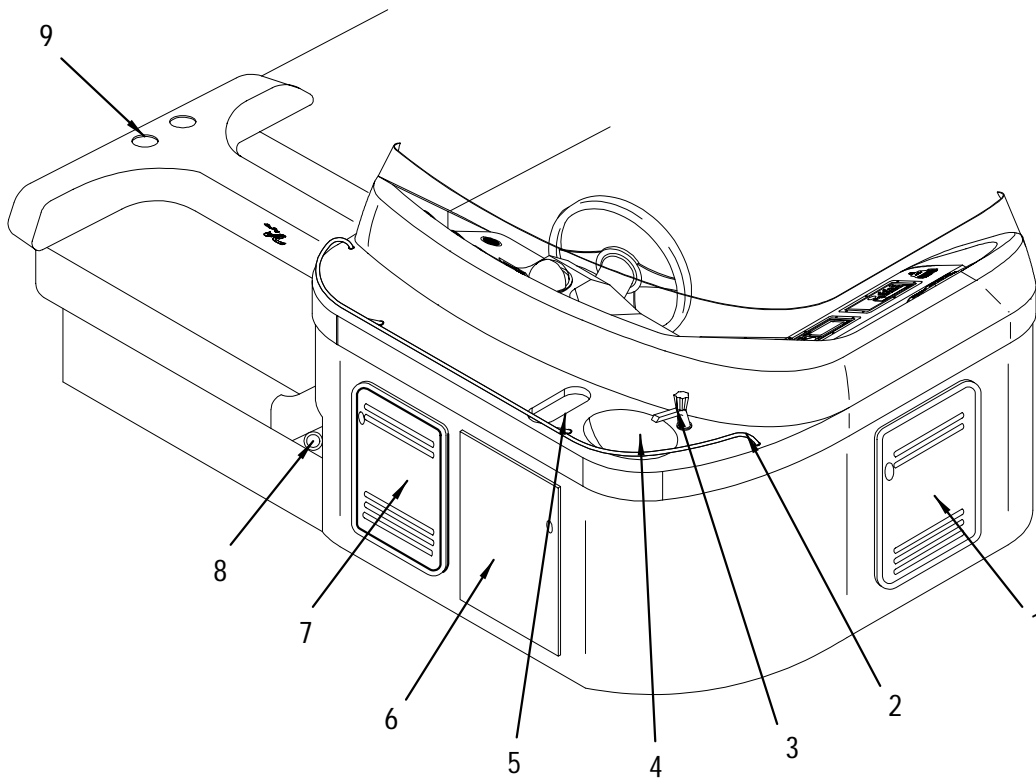
**WELT/SPLIT**

- 1122258 VINYL, GRANDE D GOLD RUSH EXP FLAT
- 1143064 VINYL, SLIT 1.5" GRANDE D SEA WHT EXP

**NOT SHOWN**

- 1083070 BOX, V/F 450EB-98 MAIN DC BRKR
- 1123504 CARPET, EXT 24 OZ DOE SKIN #9294 BT
- 1247915 LANYARD, CABLE 13" VINYL COATED W/INS
- 125070 PLATE, NMMA YACHT CERT DSL
- 145284 HINGE, SS CONT 1.25" X 72"
- 185538 ROPE, DOCKLINE STRAP ONLY WHT W/HDWR
- 663708 BUMPER, CLEAR .020" THICK
- 728014 TRACK, VINYL AWNING WHITE "FLEX-A-RAIL" 7.5"
- 800888 HINGE, SS CONT 2" X 72" (.188 CURL WIDTH)
- 858407 MODULE, MUX LIGHT SWITCH CONTROLLER 12V
- 957092 A/C COMP, HOSE RING 5" OBLONG
- 991612 ANGLE, PVC 2" X 2" X 1/4" X 10" WHT

**BRIDGE (FORWARD HELM)**

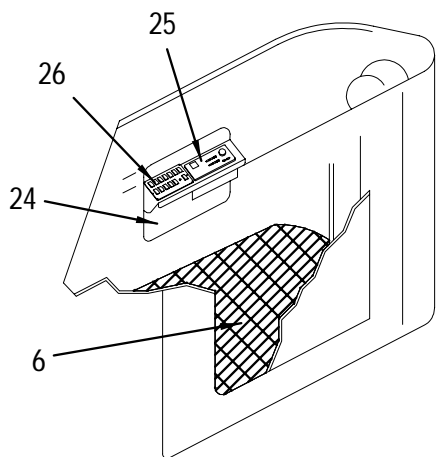
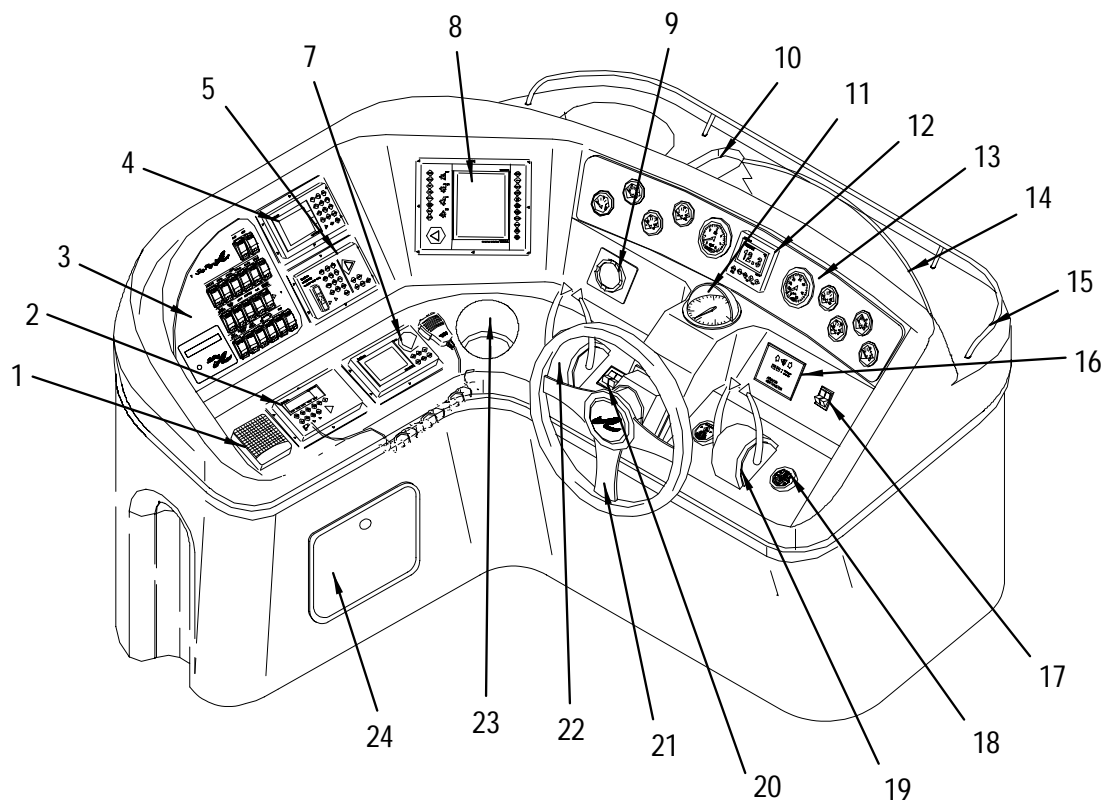


**BRIDGE (FORWARD HELM)**

- 1 1017474 DOOR, STRG W/25"X 20" WHT EXT FRAME RH
- 407247 FLOORING, VINYL GRID DECKING WHT "DRI-DEK"
- 777268 LATCH, FLUSH MOUNT PULL WHT 2MM-7MM
- 2 1122001 RAIL, GRAB 450EB-98 BRIDGE SINK
- 3 266668 FAUCET, WHALE CKPT ENT CTR
- 1210178 ADAPTER, SEATECH 1/2"F-15MM BRASS
- 1215235 CLIP, SEATECH COLLET 15MM
- 4 1185230 COVER, HDPE 450EB-98 BRIDGE SINK
- 5 862128 FLANGE, V/F TRASH CHUTE
- 6 1017466 DOOR, STRG W/25"X 16" WHT EXT FRAME LH
- 1286244 STEREO, AMP CLARION APA4203 4CHNL
- 140665 GROUND BUSS, BRASS
- 643510 BUSS BAR, DC GROUND 10-POSITION SML
- 777268 LATCH, FLUSH MOUNT PULL WHT 2MM-7MM
- 795583 BUSS BAR, SGL POST 5/16"
- 813451 BASKET, TRASH 9"X 15 3/16"X 18" WHT
- 937490 FUSE BLOCK, 10-GNG BLADE-TYPE ELECTRONICS
- 7 1017474 DOOR, STRG W/25"X 20" WHT EXT FRAME RH
- 1210889 TEE, SEATECH ICEMAKER VALVE X TEE 15MM
- 145078 COVER PLATE, SGL DUPLEX RECEPT BRN
- 145094 RECEPTACLE, DUPLEX BRN 15A
- 180463 BOX, RECEPTACLE HANDY DUPLEX METAL
- 777268 LATCH, FLUSH MOUNT PULL WHT 2MM-7MM
- 864678 ICE MAKER, 23 LB WHT W/FLNGE CFC FREE 120V/60
- 864686 ICE MAKER, 23 LB WHT W/FLNGE CFC FREE 220V/50
- (ABOVE # OPTIONAL 220V/50)

- 8 1336122 DRINKHOLDR, PLAS 4"X 3" MUG SZ WHT W/NPL
- 124347 HOSE, PVC CLEAR 3/8"
- 9 1266063 DRINKHOLDR, PLAS 4"X 3" MUG SZ WHT

BRIDGE (CONTROL STATION)



## BRIDGE (CONTROL STATION)

- 1 1009638 SPEAKER, REMOTE VHF GRAY (RAYTHEON)  
 2 1055763 RADIO, VHF/HAILER/DSC RAY-220  
 1055813 FLUSH MOUNT KIT, RAY-220 VHF RADIO REAR MNT  
 1323989 RADIO, VHF MICROPHONE ONLY RAY 210/220  
 3 1298199 PANEL, 450EB-00 CNTRL STA SW W/LCD SYS MON  
 4 742965 NAVIGATION DISPLAY, NAV 398  
 810168 CONSOLE MOUNT KIT, VHF REAR (RAYTHEON 202)  
 5 1055789 CHART PLOTTER, RAYCHART 601XX C-MAP NT  
**(OPTIONAL CHART PLOTTER)**  
 1076629 COUPLING, BRASS HYD 3GPM MALE W/VALVES  
 1076637 COUPLING, BRASS HYD 3GPM FEMALE W/VALVES  
 1076645 COUPLING, DUST PLUG ONLY FOR FD45 COUPLING  
 1126226 LABEL, DANGER NO LOOKING DIRECTLY INTO RADOME  
 168849 NIPPLE, BRASS 1/4"MPT X 1.5"HEX  
 810168 CONSOLE MOUNT KIT, VHF REAR (RAYTHEON 202)  
 897025 INTERFACE BOX, FOR RAYTHEON RC-XX-RP  
 937425 CHART PLOTTER, FURUNO RP110  
**(OPTIONAL FURUNO 1942 RADAR)**  
 6 407247 FLOORING, VINYL GRID DECKING WHT "DRI-DEK"  
 7 791558 AUTO PILOT, RAYPILOT 650 DISPLAY ONLY  
**(OPTIONAL AUTO PILOT)**  
 1076629 COUPLING, BRASS HYD 3GPM MALE W/VALVES  
 1076637 COUPLING, BRASS HYD 3GPM FEMALE W/VALVES  
 1076645 COUPLING, DUST PLUG ONLY FOR FD45 COUPLING  
 1167733 PANEL, AUTOPILOT-99 SWITCH BLK  
 168849 NIPPLE, BRASS 1/4"MPT X 1.5"HEX  
 810168 CONSOLE MOUNT KIT, VHF REAR (RAYTHEON 202)  
 852475 AUTO PILOT, RAYPILOT TYPE I CORE PACK  
**(OPTIONAL AUTO PILOT)**  
 852483 AUTO PILOT, RAYPILOT TYPE I PUMP UNIT  
 8 1300847 RADAR, RAYTHEON R70RC DISP UNIT W/CHARTPLOT  
 1301365 FLUSH MOUNT KIT, RADAR (RAYTHEON) REAR  
 1089820 RADAR, FURUNO 1942 DISPLAY UNIT  
**(ABOVE # OPTIONAL)**  
 788331 RADAR, RAYTHEON R41XX DISPLAY UNIT  
**(ABOVE # OPTIONAL)**  
 9 930297 PAD, SPOTLIGHT REMOTE CONTROL  
 832022 BRACKET, 400DB ACR SPOTLIGHT RESISTOR  
 845784 BULB, SPOTLIGHT 12V  
 930263 SPOTLIGHT, ACR HALOGEN WHT 12V  
 10 862128 FLANGE, V/F TRASH CHUTE  
 1320688 SPOTLIGHT, MASTER CONTROLLER W/DLD10  
 813451 BASKET, TRASH 9"X 15 3/16"X 18" WHT  
 11 783795 COMPASS, FLUSH MT 3 7/8" WHT HOUSE/BLUE LIGHT  
 12 900415 RAYDATA, RAYTHEON (DEPTH,SPEED,TEMP)  
 933879 TRANSDUCER, DEPTH RETRACTABLE BRZ RAYDATA  
 933887 TRANSDUCER, SPEED SELF SEALING BRZ RAYDATA  
 13 1291723 PANEL, 450EB-00 GAUGE CAT/CUMMINS A/F  
 1298058 PANEL, 450EB-00 GAUGE CAT/CUMMINS A/F W/O MFI  
**(OPTIONAL RAYTHEON 750 FISH FINDER)**  
 14 1113695 WINDSCREEN, 450EB-98 BRIDGE HELM BRZ  
 15 1122001 RAIL, GRAB 450EB-98 BRIDGE SINK  
 16 1048370 BOW THRUSTER, JOYSTICK PNL W/20"EXT HARNESS  
**(OPTIONAL BOW THRUSTER)**  
 17 1114313 PANEL, 450EB-98 BOW THRUSTER BLK  
**(OPTIONAL BOW THRUSTER)**  
 332593 BRKR/ROCK, SGL-POLE AC/DC HORZ 10A WHT  
 679324 ACTUATOR, ROCK BLK W/BLUE LENS ACCY  
 932871 BODY, ROCK SW DPDT MOM 24V W/INDEP INC LAMP  
 18 1163054 STEREO, REMOTE CNTRL WHT BZL/WHT FACE  
 19 1051689 CONTROL, THRTL/SHFT W/SS HANDLES W/GOLD KNOBS  
 1220854 CONTROL, TWIN DISC TWIN ENG LEVER ASSY BLK  
**(OPTIONAL TWIN DISC ELECTRIC SHIFT)**  
 20 157487 SWITCH, TRIM TAB RCKR CNTRL N/HARNESS  
 21 1298017 STEERING WHEEL, 3-SPOKE WOOD W/URETH PAD  
 1077999 STEERING WHEEL, CHROME RING ONLY/837211  
 1078013 STEERING WHEEL, SPOKE CVR W/RING FOR #0837211  
 322909 EMBLEM, SEA RAY LOGO 1 3/8"ROUND  
 22 1073758 CONTROL, NEUTRAL SAFETY SWITCH  
 23 1336122 DRINKHOLDR, PLAS 4"X 3" MUG SZ WHT W/NPL  
 124347 HOSE, PVC CLEAR 3/8"  
 24 1017482 DOOR, STRG W/18"X 12" WHT EXT FRAME PLEX  
 25 1160100 STEREO, AM/FM CASS W/CHANGER CNTRL  
 1049857 SPEAKER, 10" SUBWOOFER CM2501  
 1049865 SPEAKER, COAXIAL EXT 6.5" CM1620  
 1140409 GRILL, SPEAKER EXT 6.5" WHT CM1620  
 1312750 CABLE, CLARION REMOTE EXTENSION CABLE 24'  
 731182 CABLE, RCA AUDIO "Y" (1-FM/ 2-M)  
 736629 CABLE, RCA AUDIO 6' W/EFX-2 CONN  
 780122 CABLE, CD CHANGER EXTENSION 16' MALE/FEMALE  
 935080 CABLE, CLARION DUAL REMOTE "Y"

- 26 1098920 PANEL, 450EB-98 UPR CNTRL STA BRKR  
 1192327 PANEL, BLANK:450EB-98 UPR CNTRL STA BRKR

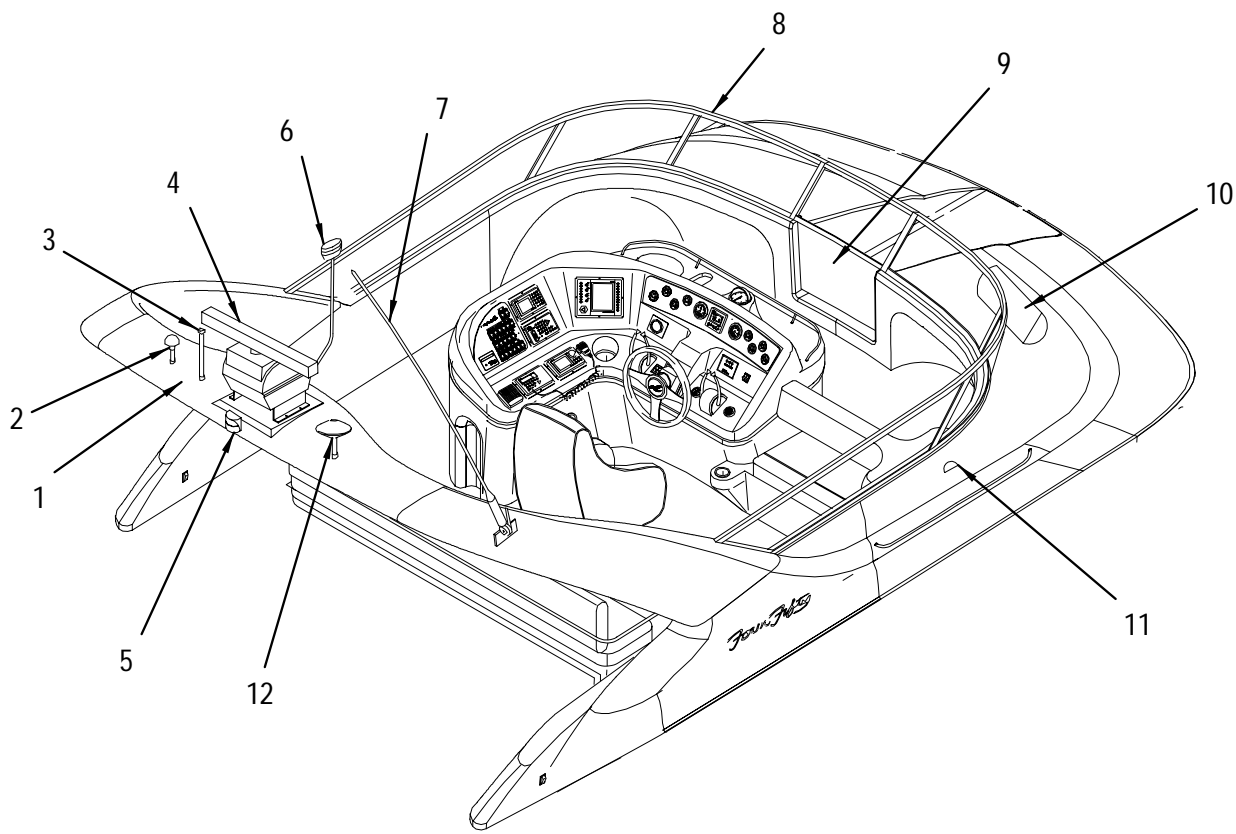
## CONSOLE COVER OPTION

- 1247014 CANVAS, 450EB-00 CNSL CVR TST  
 1175033 CANVAS, 450EB-99 CNSL CVR HNTR  
 1196518 CANVAS, 450EB-99 CNSL CVR MEDB

## LABELS

- 1089242 LABEL, CAUTION: PRIOR TO TOWING VESSEL  
 155754 LABEL, COMPASS  
 221895 LABEL, BRIDGE CAPACITY 1080 LB (LEXAN)  
 324756 LABEL, RECEPTACLE 12V-15A MAX (LEXAN)  
 551176 LABEL, THROTTLE SMALL (LEXAN)  
 551184 LABEL, SHIFT SMALL (LEXAN)  
 930578 LABEL, CAUTION BUSS ELECTRONICS (LEXAN)  
 987727 LABEL, DANGER COMBO-DSL POWERED BOAT

BRIDGE & SPOILER



**BRIDGE & SPOILER**

1	1158773	FBRGLS PART, 450EB-98 RADAR ARCH
	1147941	DOOR, PLEX 480DB-99 ARCH ACCESS CVR
	1148063	PANEL, PLEX 450EB-99 SPOILER SIDE ACCESS
	1227412	LIGHT, NAV STERN FLUSH MT RND CHR/BRS N/STUDS
	137349	ACCESS PLATE, PLAS CVR 5" WHT
	901199	BULB, STERN NAV LIGHT REPL #137406-1227412
2	1280932	GPS, RAYSTAR 112LP SENSOR W/QUICK DISC NMEA
	1314889	GPS, RAYSTAR 112LP SENSOR W/QUICK DISC SEATLK <b>(ABOVE # OPTION)</b>
	788711	MOUNT, ANTENNA DECK GPS SS
3	955435	ANTENNA, STEREO 10" WHT FLEX W/CABLE/CONN
	122853	FITTING, WATER TIGHT OUTLET FOR 5/16" CABLE
	822619	BUSHING, WATER TIGHT 1.25"OD
4	1089812	RADAR, FURUNO 1942/1943 ANTENNA <b>(FURUNO W/CHART PLOTTER OPTION)</b>
	1145077	BRACKET, 450EB-98 RADAR SUPPORT PDRCT <b>(FURUNO W/CHART PLOTTER OPTION)</b>
	1156991	RADAR, CABLE 15METER ARCH INTER-UNIT <b>(FURUNO W/CHART PLOTTER OPTION)</b>
	511972	BRACKET, RADAR W/INSTALL <b>(FURUNO W/CHART PLOTTER OPTION)</b>
	533430	VENT, CLAMSHELL ROPE LCKR 2"X2" <b>(FURUNO W/CHART PLOTTER OPTION)</b>
	788349	RADAR, RAYTHEON R41XX PEDESTAL <b>(FURUNO W/CHART PLOTTER OPTION)</b>
	788356	RADAR, RAYTHEON R41XX ARRAY <b>(FURUNO W/CHART PLOTTER OPTION)</b>
	881383	GASKET, GLOMAX TV GPS MOUNT BLK <b>(FURUNO W/CHART PLOTTER OPTION)</b>
	1301357	RADAR, RAYTHEON 4KW DOME ANT W/15 METER CABLE <b>(RADAR RAYTHEON R70RC OPTION)</b>
5	1132646	LIGHT, NAV STERN WHT LENS/WHT BODY 10W/12V
	1146729	BULB, NAV STERN 10W/12V (FOR MRP#1132646)
6	707158	LIGHT, NAV MASTHEAD COMBO WHT 4"
	1256973	POST, MAST LIGHT 450EB/460DA-99
	646356	BULB, DBL END 12V FOR #0256313/794826
7	1274570	ANTENNA, 8' SHAKESPEARE 5225 GLXY W/CP CONN
	115311	MOUNT, RATCHET VHF 4-WAY W/1"-14 MALE THD SS
	822601	GASKET, VHF ANTENNA BASE LILY RATCHET MNT
8	1111269	WINDOW, 450EB-98 VENTURI
	1123058	SUPPORT, 450EB-98 PORT VENTURI
9	1118348	DOOR, HDPE 450DB-98 BRIDGE WALK-THRU W/HINGE
	1118355	STOP, HDPE 450DB-98 BRDG WALK-THRU DOOR
	156240	BOLT, BARREL CHR 3"BOLT 3 7/16"LOA
10	930263	SPOTLIGHT, ACR HALOGEN WHT 12V
	1320688	SPOTLIGHT, MASTER CONTROLLER W/DLD10
	832022	BRACKET, 400DB ACR SPOTLIGHT RESISTOR
	845784	BULB, SPOTLIGHT 12V
	930297	PAD, SPOTLIGHT REMOTE CONTROL
11	823179	LIGHT, NAV SIDE WHT VERT 12V STBD
	646356	BULB, DBL END 12V FOR #0256313/794826
	823161	LIGHT, NAV SIDE WHT VERT 12V PORT
12	792325	ANTENNA, TV GLOMAX ASSY W/CONN
	1180041	ANTENNA, TV AMP W/SHIP/SHORE A/B SW 12/24VDC
	184580	CONN, TV/FM ANTENNA TYPE F-59
	184622	CONN, COUPLER TV/FM ANTENNA TYPE F-81
	791467	CONN, COAX 'F' RG6
	881383	GASKET, GLOMAX TV GPS MOUNT BLK

**BRIDGE COVER**

	1246990	CANVAS, 450EB-00 BRDG CVR TST
	1175082	CANVAS, 450EB-99 BRDG CVR HNTR
	1196492	CANVAS, 450EB-99 BRDG CVR MEDB

**BRIDGE TABLE ASSEMBLY**

	1378991	450EB 00, TABLE, CMPLT BRIDGE FBRGLS HIN#
	671925	BASE, LEG/POST FLUSH MT ALUM (ZWAARDVIS)
	671933	BASE, LEG/POST SURFACE MT ALUM (ZWAARDVIS)
	682831	POST, TABLE LEG 27.5" ALUM RIBBED (ZWAARDVIS)

**UPPER PAN TO LOWER PAN ASSEMBLY**

	1080100	INSERT, RUB RAIL SS 3/4"X 12' (.062/304SS)
	1110725	RUBRAIL, PVC RIGID WHT 20' (3/4" INSERT)
	185470	BRACKET, SS 3/8"X 4" BRDG PAN 2STUD POLISHED
	714436	BRACKET, SS 3/8"X 2.5" BRDG PAN 2-STUD
	745398	PLATE, SS BACKING 3/8"X 4" BRDG PAN

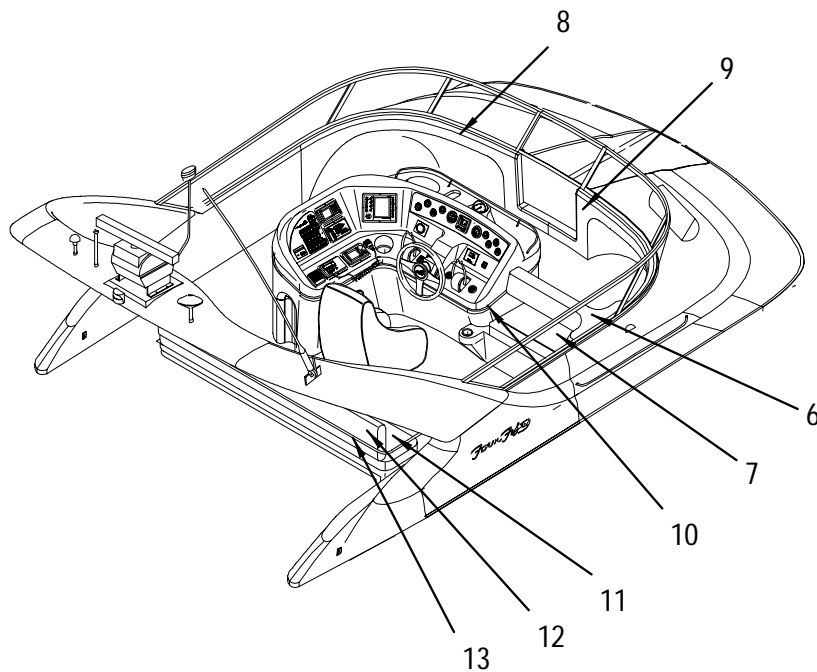
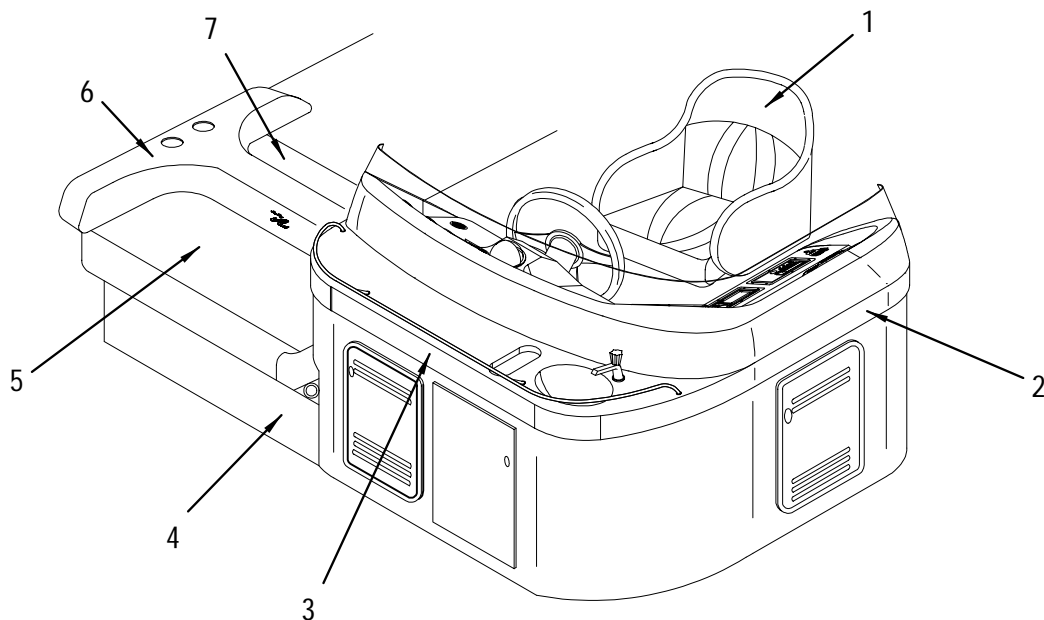
**NOT SHOWN**

	1055730	PANEL, BRIDGE/CKPT LIGHTS SWITCH WHT
	1076629	COUPLING, BRASS HYD 3GPM MALE W/VALVES
	1076637	COUPLING, BRASS HYD 3GPM FEMALE W/VALVES

**NOT SHOWN (continued)**

	1076645	COUPLING, DUST PLUG ONLY FOR FD45 COUPLING
	1287283	RECEPTACLE, FEMALE 12V LONG THRD BLK
	1348440	HDWR KIT, 450DB BRDG SC
	140418	ELBOW, BRASS 90DEG STREET 1/4"
	145136	RECEPTACLE, CORR RESISTANT GREY
	168849	NIPPLE, BRASS 1/4"MPT X 1.5"HEX
	177378	BELL, FOG BELL 8" CHR/BRZ
	180067	COVER PLATE, WATERPROOF RECEPT W/2 DOORS
	182030	FUSE HOLDER, INLINE W/14GA W/RED
	192500	CONN, ROMEX PLAS 1/2"
	627737	BOX, RECEPTACLE/SWITCH PVC 1-GANG DEEP
	958140	A/C COMP, HOSE RING 4" OBLONG

BRIDGE UPHOLSTERY



**BRIDGE UPHOLSTERY**

- 1 1167642 HELMSEAT, SPYCHT-99 W/THRS SEAWHT GOLD
- 1167659 HELMSEAT, SPYCHT-99 W/THRS SEAWHT SLVR
- 1269422 PLATE, HELM SEAT BASE DETACHABLE
- 1271998 PEDESTAL/SLIDE, CMDR 14.25"/18.25"
- 706911 PLATE, BACKING HELMSEAT 1/4"X14"X14"NO HOLES
- 2 1380153 450EB 00, BLSTR, HELM AFT PT UPR BRIDGE HIN#
- 1380161 450EB 00, BLSTR SKIN, HELM AFT PT UPR BRDG H#
- 3 1380179 450EB 00, BLSTR, HELM UPR FWD BRIDGE HIN#
- 1380187 450EB 00, BLSTR SKIN, HELM FWD UPR BRIDGE HI#
- 4 1378983 450EB 00, BASE, BENCH SEAT BRIDGE FBGLS HIN#
- 5 1380252 450EB 00, CUSH, BENCH STBD FWD BRDGE HI#
- 1380260 450EB 00, CUSH SKIN, BNCH STBD FWD BRDGE HI#
- 6 1380278 450EB 00, BLSTR, HELM STBD "T" BRIDGE HIN#
- 1380286 450EB 00, BLSTR SKIN, HELM STBD "T" BRIDGE H#
- 7 1380294 450EB 00, CUSH, STBD AFT BRIDGE HIN#
- 1380310 450EB 00, CUSH SKIN, STBD AFT BRIDGE HIN#
- 8 1380195 450EB 00, BLSTR, PORT FWD BRIDGE HIN#
- 1380203 450EB 00, BLSTR SKIN, PORT FWD BRIDGE HIN#
- 9 1380211 450EB 00, BLSTR, STBD FWD BRIDGE HIN#
- 1380229 450EB 00, BLSTR SKIN, STBD FWD BRIDGE HIN#
- 10 1380328 450EB 00, BLSTR, HELM AFT STB UPR BRDGE HIN#
- 1380336 450EB 00, BLSTR SKIN, HELM AFT STB UPR BRG H#
- 11 1380344 450EB 00, CUSH, BENCH AFT BRDGE HIN#
- 1380351 450EB 00, CUSH SKIN, BENCH AFT BRDGE HIN#
- 12 1380369 450EB 00, BLSTR, BENCH AFT SEAT BRIDGE HIN#
- 1380377 450EB 00, BLSTR SKIN, BNCH AFT SEAT BRIDGE H#
- 13 1121995 RAIL, GRAB 450EB-98 BRIDGE SEAT BACK FRAME

**CARPET**

- 1123504 CARPET, EXT 24 OZ DOE SKIN #9294 BT
- 1224088 CARPET, EXT 28 OZ DUNE MARBLE #903 RL

**VINYL-BASE 1**

- 1143148 VINYL, GRANDE D SEA WHITE EXP FLAT
- 1143155 VINYL, GRANDE D SEA WHITE EXP 1/4"F/B
- 1166487 HIDEM, GRANDE D SEA WHITE 5/8"

**VINYL-BASE 2**

- 1142959 VINYL, SEABROOK D SEA WHITE EXP FLAT
- 1142967 VINYL, SEABROOK D SEA WHITE 1/4"F/B

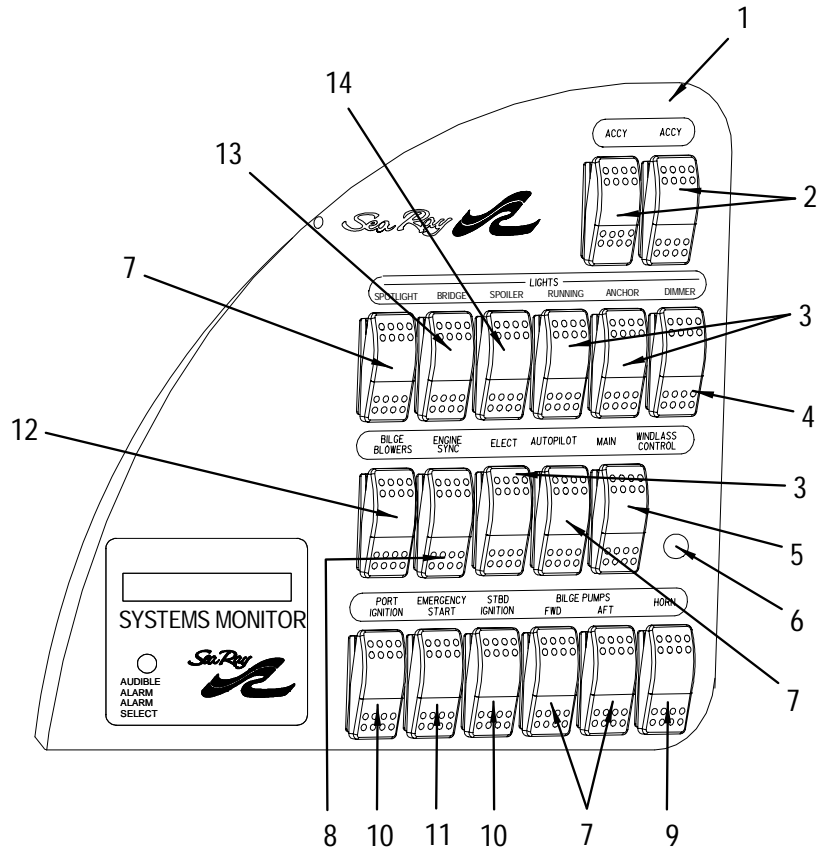
**WELT/SLIT**

- 1143015 VINYL, SLIT 1.5" GRANDE D GOLD RUSH EXP
- 1143064 VINYL, SLIT 1.5" GRANDE D SEA WHT EXP

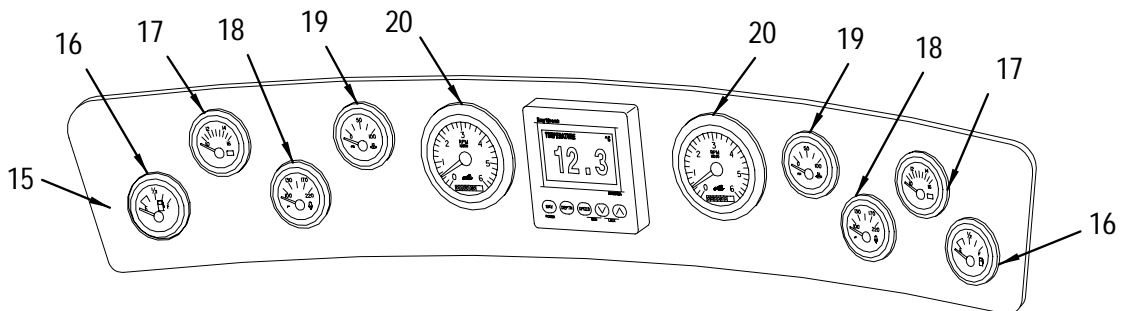


UPPER CONTROL STATION SWITCH & INSTRUMENT PANELS

UPPER CONTROL STATION SWITCH PANEL



UPPER CONTROL STATION INSTRUMENT PANEL



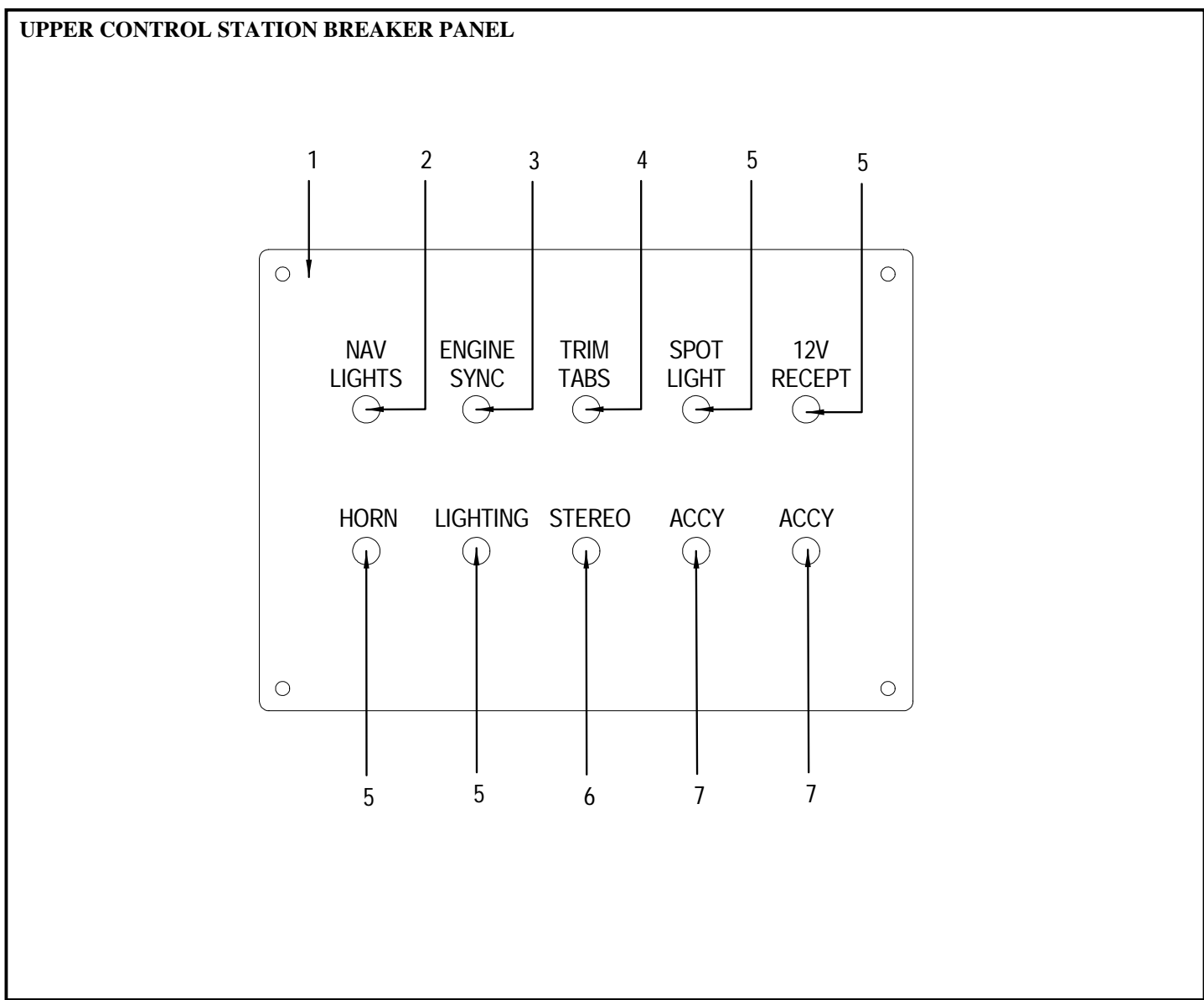
## UPPER CONTROL STATION SWITCH & INSTRUMENT PANELS

### UPPER CONTROL STATION SWITCH PANEL

- |    |         |   |
|----|---------|---|
| 1  | 1298199 | PANEL, 450EB-00 CNTRL STA SW W/LCD SYS MON  |
| 2  | 720151  | PLUG, ROCKER SW 'V' SERIES BLK              |
| 3  | 681510  | BODY, ROCK SW DPST 12V W/INC LAMP           |
|    | 679324  | ACTUATOR, ROCK BLK W/BLUE LENS ACCY         |
| 4  | 767194  | BODY, ROCK SW SPDT MOM W/BLK BASE           |
|    | 681486  | ACTUATOR, ROCK BLK W/O LENS ACCY            |
|    | 955674  | SWITCH, DIMMER CONSOLE-ELECTRONIC 5A        |
| 5  | 1733928 | BODY, ROCK SW DPDT MOM 12V W/LED LAMP       |
|    | 679324  | ACTUATOR, ROCK BLK W/BLUE LENS ACCY         |
| 6  | 806893  | SWITCH, TOGGLE 2-WAY LOCKING BLACK          |
| 7  | 648097  | BODY, ROCK SW SPST BLK 12V INCAND           |
|    | 679324  | ACTUATOR, ROCK BLK W/BLUE LENS ACCY         |
| 8  | 681502  | BODY, ROCK SW SPST 12V W/INDEP INC LAMP     |
|    | 679324  | ACTUATOR, ROCK BLK W/BLUE LENS ACCY         |
| 9  | 679332  | BODY, ROCK SW SPST MOM                      |
|    | 759084  | ACTUATOR, ROCK VERT BLK W/RED HORN SYMBOL   |
| 10 | 670521  | BODY, ROCK SW 2 CKT PROG                    |
|    | 681486  | ACTUATOR, ROCK BLK W/O LENS ACCY            |
| 11 | 670539  | BODY, ROCK SW DPST MOM                      |
|    | 681486  | ACTUATOR, ROCK BLK W/O LENS ACCY            |
| 12 | 799304  | BODY, ROCK SW SPST (MOM) BLK W/IND INC LAMP |
|    | 679324  | ACTUATOR, ROCK BLK W/BLUE LENS ACCY         |
| 13 | 648105  | BODY, ROCK SW SP ON-ON 12V INCAND           |
|    | 681486  | ACTUATOR, ROCK BLK W/O LENS ACCY            |
| 14 | 648097  | BODY, ROCK SW SPST BLK 12V INCAND           |
|    | 681486  | ACTUATOR, ROCK BLK W/O LENS ACCY            |

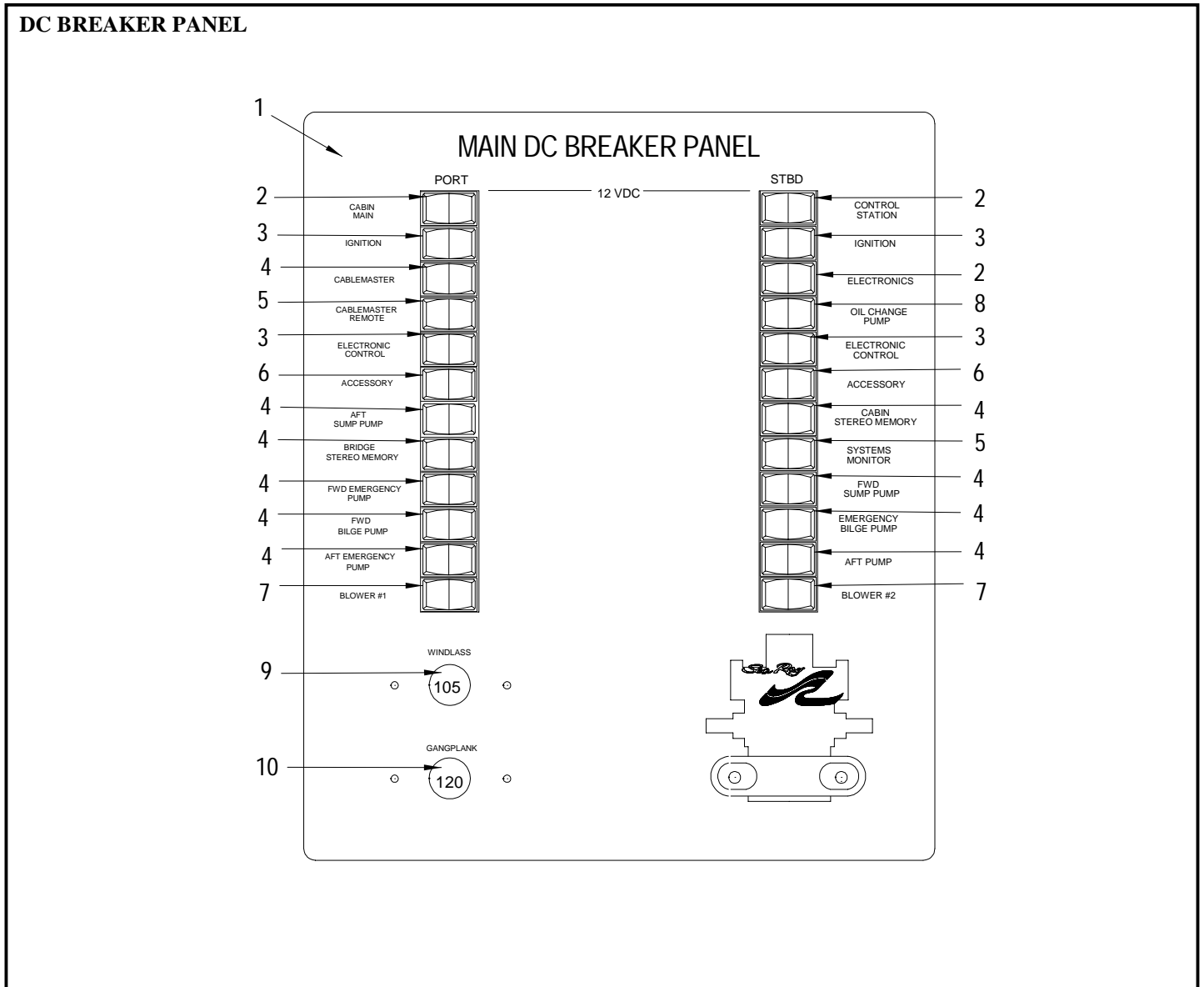
### UPPER CONTROL STATION INSTRUMENT PANEL

- |    |         |  |
|----|---------|--|
| 15 | 1291723 | PANEL, 450EB-00 GAUGE CAT/CUMMINS A/F  |
|    | 1298058 | PANEL, 450EB-00 GAUGE CAT/CUMMINS A/F W/O MFI<br>(OPTIONAL RAYTHEON 750 FISH FINDER) |
| 16 | 1291384 | GAUGE, TACH/LCDHOUR 5"4K MAG P/U 12V MLSS A/F  |
| 17 | 1291483 | GAUGE, WATER TEMP 240 DEG 12V MLSS A/F   |
| 18 | 1291335 | GAUGE, OIL PRESS 0-100 2" 12V MLSS A/F   |
| 19 | 1291277 | GAUGE, VOLTMETER 10-16 MLSS A/F  |
| 20 | 1291301 | GAUGE, FUEL 2" DUAL STA 12V MLSS A/F   |



**UPPER CONTROL STATION BREAKER PANEL**

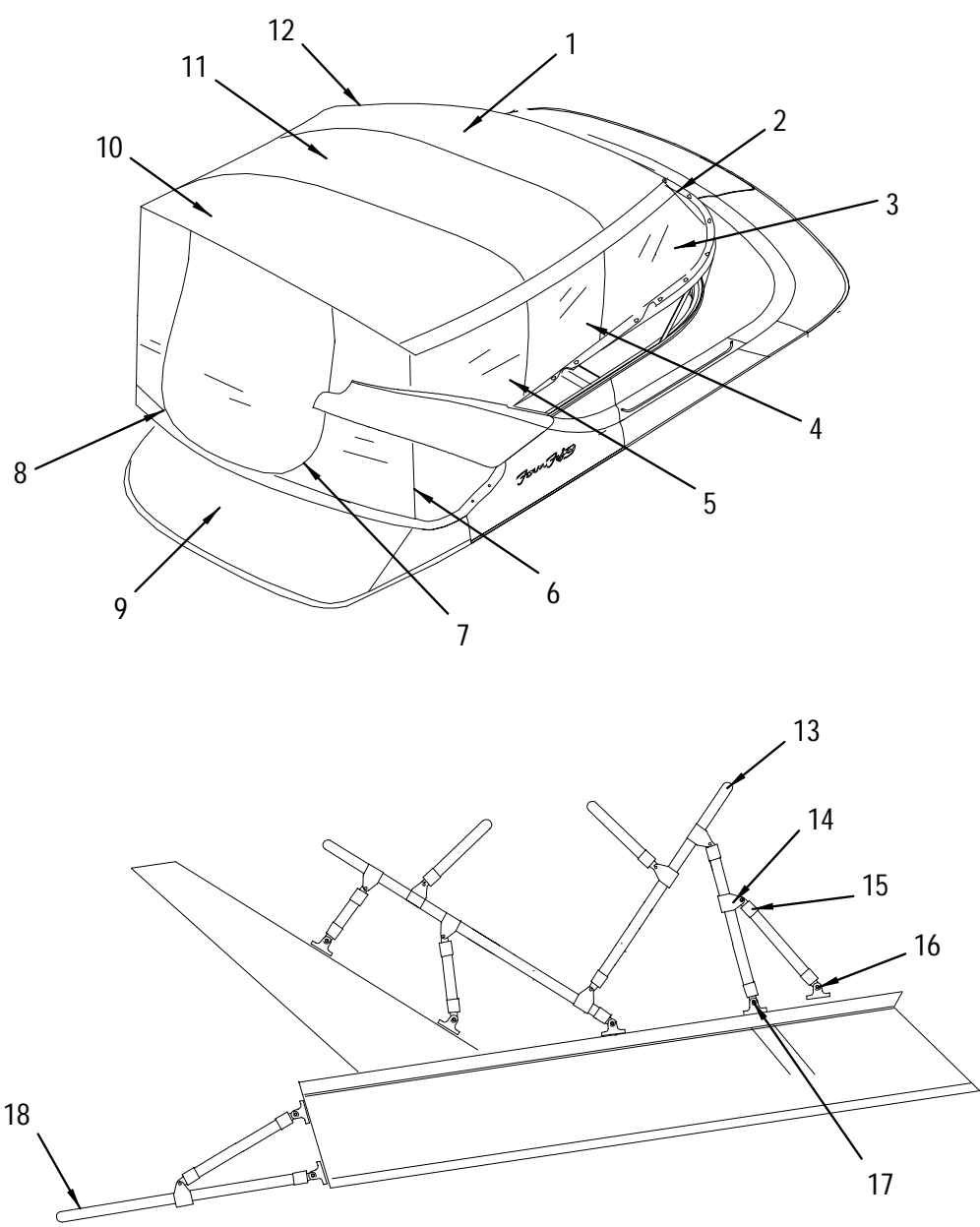
- 1 1098920 PANEL, 450EB-98 UPR CNTRL STA BRKR
- 1142330 PANEL, BLANK:450EB-98 UPR CNTRL STA BRKR
- 2 533026 BRKR, P/BTN-MANUAL RESET 10A W/SCREW TER
- 3 775775 BRKR, P/BTN-MANUAL RESET 7A W/SCREW TER
- 4 775759 BRKR, P/BTN-MANUAL RESET 20A W/SCREW TER
- 5 775783 BRKR, P/BTN-MANUAL RESET 15A W/SCREW TER
- 6 839969 BRKR, P/BTN-MANUAL RESET 25A W/SCREW TER
- 7 179671 PLUG, HOLE 3/8" BLK



**DC BREAKER PANEL**

- 1 974360 PANEL, 480DB/450EB-98/460DA-99 MAIN DC BRKR
- 1142421 PANEL, BLANK:480DB/450EB-98 MAIN DC BRKR
- 2 826644 BRKR/ROCK, SGL-POLE MNL RESET DC 50A RED
- 3 826578 BRKR/ROCK, SGL-POLE MNL RESET DC 10A RED
- 4 826586 BRKR/ROCK, SGL-POLE MNL RESET DC 15A RED
- 5 826545 BRKR/ROCK, SGL-POLE MNL RESET DC 5A RED
- 6 986216 PLUG, REFER TO MRP #0432872
- 7 826552 BRKR/ROCK, SGL-POLE MNL RESET DC 6A RED
- 8 826594 BRKR/ROCK, SGL-POLE MNL RESET DC 20A RED
- 9 228064 BRKR, MANUAL RESET KLIXON 105A
- 10 182378 BRKR, MANUAL RESET KLIXON 120A

CANVAS AND BOW HARDWARE



**CANVAS AND BOW HARDWARE**

1	1246982	CANVAS, 450EB-00 BIM/BOOT FAB TST
	1175058	CANVAS, 450EB-99 BIM/BOOT FAB HNTR
	1197706	CANVAS, 450EB-99 BIM/BOOT FAB MEDB
2	1380989	CANVAS, 450EB-00 ENCL STBD FWD TOAST
	1380997	CANVAS, 450EB-00 ENCL PORT FWD TOAST
	1381003	CANVAS, 450EB-00 ENCL CTR FWD TOAST
	1298744	CANVAS, 450EB-99 ENCL PORT FWD MEDB
	1298835	CANVAS, 450EB-99 ENCL CTR FWD MEDB
	1298843	CANVAS, 450EB-99 ENCL STBD FWD MEDB
	1299809	CANVAS, 450EB-99 ENCL PORT FWD HNTR
	1299817	CANVAS, 450EB-99 ENCL CTR FWD HNTR
	1299825	CANVAS, 450EB-99 ENCL STBD FWD HNTR
3	1381011	CANVAS, 450EB-00 ENCL STBD SIDE FWD TOAST
	1299460	CANVAS, 450EB-99 ENCL STBD SIDE FWD MEDB
	1299833	CANVAS, 450EB-99 ENCL STBD SIDE FWD HNTR
4	1381029	CANVAS, 450EB-00 ENCL STBD SIDE CTR TOAST
	1299486	CANVAS, 450EB-99 ENCL STBD SIDE CTR MEDB
	1299841	CANVAS, 450EB-99 ENCL STBD SIDE CTR HNTR
5	1381078	CANVAS, 450EB-00 ENCL STBD SIDE AFT TOAST
	1299510	CANVAS, 450EB-99 ENCL STBD SIDE AFT MEDB
	1299858	CANVAS, 450EB-99 ENCL STBD SIDE AFT HNTR
6	1381086	CANVAS, 450EB-00 ENCL STBD AFT TOAST
	1299551	CANVAS, 450EB-99 ENCL STBD AFT MEDB
	1299866	CANVAS, 450EB-99 ENCL STBD AFT HNTR
7	1381136	CANVAS, 450EB-00 ENCL CTR AFT TOAST
	1299593	CANVAS, 450EB-99 ENCL CTR AFT MEDB
	1299866	CANVAS, 450EB-99 ENCL STBD AFT HNTR
8	1381128	CANVAS, 450EB-00 ENCL PORT AFT TOAST
	1299627	CANVAS, 450EB-99 ENCL PORT AFT MEDB
	1299882	CANVAS, 450EB-99 ENCL PORT AFT HNTR
9	1247048	CANVAS, 450EB-00 SNSHD FAB TST
	1247055	CANVAS, 450EB-00 SUNSHADE FILLER CURT TOAST
	1175041	CANVAS, 450EB-99 SNSHD FAB HNTR
	1175108	CANVAS, 450EB-99 SNSHD FILR CURT HNTR
	1197714	CANVAS, 450EB-99 SNSHD FAB MEDB
	1197722	CANVAS, 450EB-99 SNSHD FILR CURT MEDB
10	1381110	CANVAS, 450EB-00 ENCL PORT SIDE AFT TOAST
	1299650	CANVAS, 450EB-99 ENCL PORT SIDE AFT MEDB
	1299890	CANVAS, 450EB-99 ENCL PORT SIDE AFT HNTR
11	1381102	CANVAS, 450EB-00 ENCL PORT SIDE CTR TOAST
	1299783	CANVAS, 450EB-99 ENCL PORT SIDE CTR MEDB
	1299908	CANVAS, 450EB-99 ENCL PORT SIDE CTR HNTR
12	1381094	CANVAS, 450EB-00 ENCL PORT SIDE FWD TOAST
	1299791	CANVAS, 450EB-99 ENCL PORT SIDE FWD MEDB
	1299916	CANVAS, 450EB-99 ENCL PORT SIDE FWD HNTR
13	1106855	CANVAS, 450EB-98 BIM FRAME SET W/HDWR
14	175042	SLIDE, JAW SLIDE W/BOLT 1" SS (CONV TOP)
15	175059	CAP, RAIL END W/EYE 1" SS (CONV TOP)
16	174953	HINGE, DECK CONCAVE 1" SS CONV TOP
	720201	PIN, PULL 3/16" W/CABLE
17	174995	HINGE, DECK FLAT 1" CONV TOP SS
18	1106871	CANVAS, 450EB-98 SNSHD FRAME SET W/HDWR

**AFT COCKPIT FULL BENCH SEAT & STORAGE OPTION**

	1247006	CANVAS, 450EB-00 CKPT SEAT CVR TST
	1175090	CANVAS, 450EB-99 CKPT SEAT CVR HNTR
	1196500	CANVAS, 450EB-99 CKPT SEAT CVR MEDB

**BRIDGE COVER (STANDARD)**

	1246990	CANVAS, 450EB-00 BRDG CVR TST
	1175082	CANVAS, 450EB-99 BRDG CVR HNTR
	1196492	CANVAS, 450EB-99 BRDG CVR MEDB

**CARPET RUNNER (STANDARD)**

	1248251	CANVAS, 450EB-00 CR TST
--	---------	-------------------------

**CONSOLE COVER OPTION**

	1247014	CANVAS, 450EB-00 CNSL CVR TST
	1175033	CANVAS, 450EB-99 CNSL CVR HNTR
	1196518	CANVAS, 450EB-99 CNSL CVR MEDB

**ENCLOSURE COMPLETE (STANDARD)**

	1247022	CANVAS, 450EB-00 ENCL SET TST
	1175074	CANVAS, 450EB-99 ENCL SET HNTR
	1196526	CANVAS, 450EB-99 ENCL SET MEDB

**STD SET (STANDARD)**

	1247030	CANVAS, 450EB-00 STD SET TOAST
	1175066	CANVAS, 450EB-99 STD SET HNTR
	1196534	CANVAS, 450EB-99 STD SET MEDB

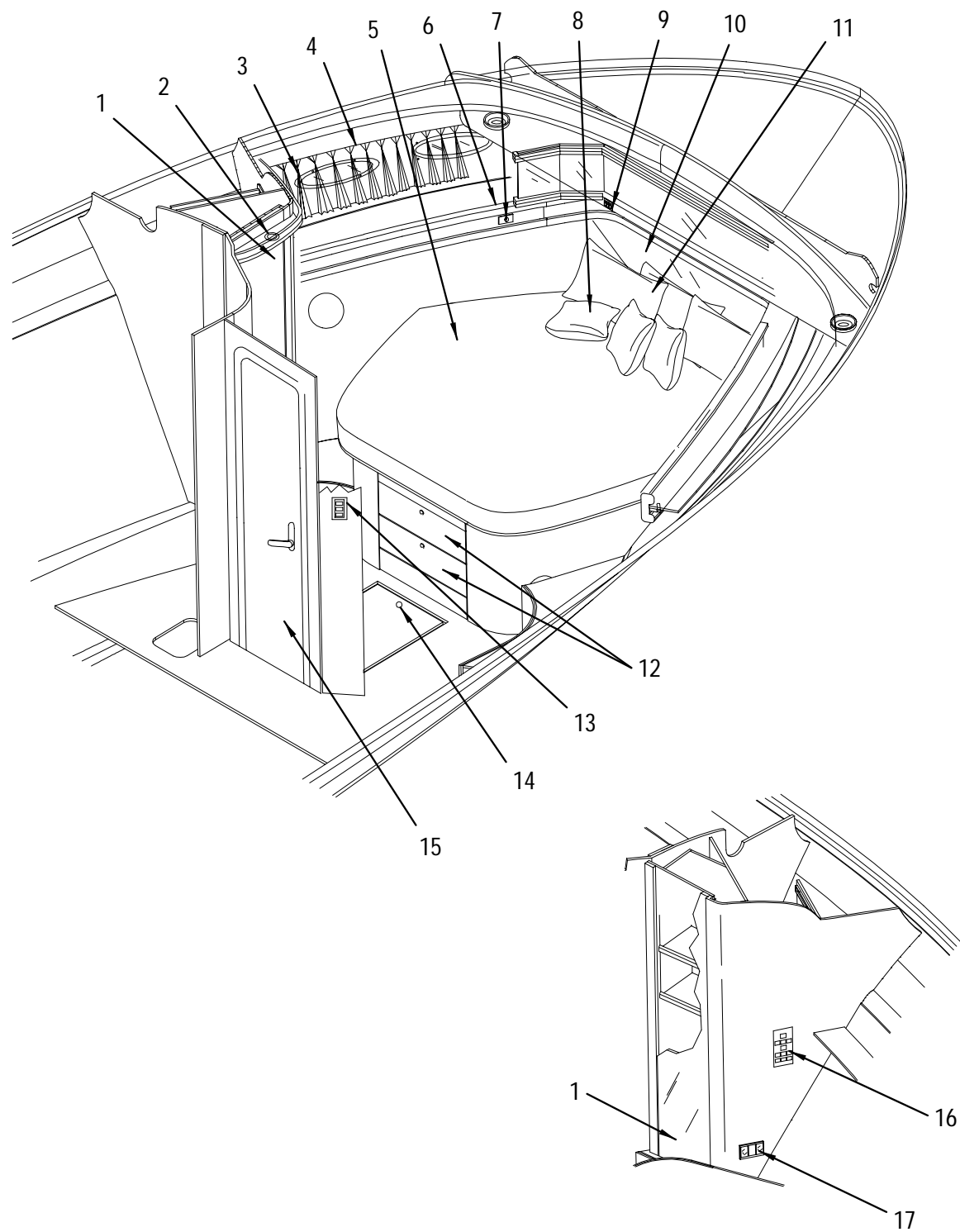
**WALK THRU CURTAIN**

	1247063	CANVAS, 450EB-00 WALK-THRU TST
	1220896	CANVAS, 450EB-99 WALK-THRU MEDB
	1220904	CANVAS, 450EB-99 WALK-THRU HNTR

**WINDSHIELD COVER**

	1256502	CANVAS, 450EB-99 W/S CVR WHT/BLK MESH
--	---------	---------------------------------------

FORWARD MASTER STATEROOM (PORT VIEW)



## FORWARD MASTER STATEROOM (PORT VIEW)

1	1379072	450EB 00, DOOR, HANG LOCK PORT F-STRM HIN#
	1379080	450EB 00, DOOR, HANG LOCK PORT F-STRM VTR HI#
	1110451	MIRROR, 1/8"X 13.5"P/E X 56.25"P/E
	1176635	PULL, DOOR FLUSH MIRROR .050 BRUSHED BRASS
	183236	SWITCH, LOCKER LIGHT PLUNGER WHT
	390849	CATCH, GRABBER LATCH W/10LB HOLD BLK PLAS
	521526	HINGE, CONCEALED FULL OVERLAY W/100 DEG ANGLE
	525667	HINGE, CONCEALED FULL OVERLAY MT PLATE ONLY
	604801	BULB, DOME LIGHT 12V
	723882	BAR, HANGING ROD (CLOTHES) ALUM 17.5"
	772418	CATCH, RIM-LOCK WHT
	822668	LIGHT, SGL DOME FLUSH MT PLAS WHT W/O SWITCH
2	894774	LIGHT, DAVID-EYEBALL GLD/TRIM RING CHR/FRST L
	947796	BULB, REPL FOR TEBE/CHARLY BOY/SAMPEI/DAVID
3	1276740	CURTAIN, 450EB-00 PKGC-SUNNYVALE TAN
	1276419	CURTAIN, 450EB-00 PKGA-MERRYWICK RAFFIA
	1276625	CURTAIN, 450EB-00 PKGB-LEO'N
	1278928	CURTAIN, 450EB-00 PKGD-SHANTUNG SH LYNX
4	132183	TRACK, ALUM CURT TRK 0.275"X 0.688" TAB TYPE
5	1126051	MATTRESS, 450EB-98 INR-SPRNG VBRTH HNGD
	1009901	SHEETING, SHEET MATERIAL CREAM 96"
	1380385	450EB 00, BEDSPREAD, CMPLT F-STRM, HIN#
	1380401	450EB 00, SHEET, SET CMPLT F-STRM HIN#
	1380419	450EB 00, SHEET, FITTED F-STRM HIN#
	1380427	450EB 00, SHEET, FLAT F-STRM HIN#
	195479	HINGE, AL CONT FORM/DBL 2.5"X 72" SATIN
	634550	BRACKET, SS GAS CYL 90DEG L-BRKT W/BALL LONG
	634600	CYLINDER, GAS 60PSI 20"EXT X 12"COMP
	732792	BRACKET, SS GAS CYL 90DEG 2.062" W/STUD
6	1380443	450EB 00, BLSTR, OUTBD F-STRM HIN#
	1380450	450EB 00, BLSTR, OUTBD F-STRM VTCR HIN#
	1380468	450EB 00, BLSTR, INBD F-STRM HIN#
	1380476	450EB 00, BLSTR, INBD F-STRM VTCR HIN#
7	819763	SWITCH, VOLUME CNTRL ROTARY WHT (JAMO)
8	1277045	PILLOW PKG, 2000 SPYACHT PKG C MSTR STRM (3)
	1277011	PILLOW PKG, 2000 SPYACHT PKG A MSTR STRM (3)
	1277029	PILLOW PKG, 2000 SPYACHT PKG B MSTR STRM (3)
	1277037	PILLOW PKG, 2000 SPYACHT PKG D MSTR STRM (3)
9	893255	INLET, IDEA-SERIES PHONE GRAY
	300368	TELEPHONE, ALMOND
	893263	SWITCH, BLANK IDEA-SERIES GREY
	893289	FRAME, IDEA-SERIES 3-GANG SUPPORT FRAME GREY
	893297	COVER PLATE, IDEA-SERIES 3-GANG GOLD
10	1110444	MIRROR, 1/8"X 57.25"X 13.75"X 13.75"SPEC CUT
11	651257	PILLOW, QUEEN SIZE
	1380393	450EB 00, PILLOW SHAM, F-STRM HIN#
	1380435	450EB 00, PILLOW CASE, F-STRM HIN#
12	1379023	450EB 00, DRAWER FACE, BUNK F-STRM HIN#
	1379031	450EB 00, DRAWER FACE, BUNK F-STRM VTCR HIN#
	1123165	LATCH, 12MM BRASS SHAFT EXTENSION
	119255	DRAWER SLIDE, PLAS 20"
	187591	PLATE, DRAWER STOP PLATE 1/8"X2"X3"ALUM
	225003	DRAWER, PLAS 16"X 23.75"X 7.1"
	761445	CATCH, RIM-LOCK STRIKE PLATE
	772418	CATCH, RIM-LOCK WHT
	945238	PULL, PUSH-BUTTON POL SOLID BRASS
	945246	PULL, ROSETTE POL SOLID BRASS 19MM
13	894626	SWITCH, IDEA-SERIES SPDT GREY
	627737	BOX, RECEPTACLE/SWITCH PVC 1-GANG DEEP
	893230	SWITCH, IDEA-SERIES SPST GREY
	893289	FRAME, IDEA-SERIES 3-GANG SUPPORT FRAME GREY
	893297	COVER PLATE, IDEA-SERIES 3-GANG GOLD
14	1379049	450EB 00, HATCH, FLOOR F-STRM HIN#
	174599	LIFT HANDLE, HATCH LIFT BOLT 1/4"X 4" SHANK
15	1379056	450EB 00, DOOR, ENTRYWAY F-STRM HIN#
	1379064	450EB 00, DOOR, ENTRYWAY F-STRM VTCR HIN#
	1260090	LATCH, DOOR W/LOCK CHR/BRS SWAN LH-IN
	132324	HINGE, BUTT CHROME/ZINC 2"
	172262	STOP, DOOR W/HOOK W/BUMPER 3.25"
16	660126	A/C COMP, ECU CONTROL UNIT
	1055821	A/C COMP, FACE PLATE FOR CONTROL BLK
	948372	A/C COMP, GRILL 4" W/DA CLW
17	893222	RECEPTACLE, IDEA-SERIES SGL GRAY
	627737	BOX, RECEPTACLE/SWITCH PVC 1-GANG DEEP
	893263	SWITCH, BLANK IDEA-SERIES GREY
	893289	FRAME, IDEA-SERIES 3-GANG SUPPORT FRAME GREY
	893297	COVER PLATE, IDEA-SERIES 3-GANG GOLD

## BEDSPREADS

1276138	FABRIC PNL, SASAYAMA-RNDM QLT 12OZ/PC/B (INT. C)
1261304	FABRIC PNL, FAUNA PARK-RNDM QLT 12OZ/PC/B (INT. D)
1276781	FABRIC PNL, REGENT RAFFIA-RNDM QLT 12OZ/PC/B (INT. A)
1276807	FABRIC PNL, NORMANDY-RNDM QLT 12OZ/PC/B (INT. B)

## CARPET RUNNER

1248251	CANVAS, 450EB-00 CR TST
---------	-------------------------

## GUNWALE STORAGE CABINET

1398437	450EB 00, DOOR, F-STRM GUNWALE STRG
---------	-------------------------------------

## HEADLINER/HULL LINER/WASHABLE SURFACE

1079797	VINYL, ALLANTE II CHAMPAGNE EXP FLAT
1091743	VINYL, ALLANTE II CHAMPAGNE EXP 1/4"F/B DOW (INT. A, B, C)
892075	VINYL, ALLANTE II SEA OYSTER EXP FLAT
986810	VINYL, ALLANTE II SEA OYSTER EXP 1/4"F/B DOW (INT. D)

## INTERIOR CARPET

1242312	CARPET, INT 44 OZ WHEATON #9191-B BT (INT. A, B, C)
1246198	CARPET, INT 44 OZ SNOW #9209-A BT (INT. D)

## INTERIOR STORAGE/BUNK TOPS

1128487	FABRIC, GEOMETRIC STRAW (NDLPNCH) W/BACK
---------	--

## MATTRESS MATERIAL

757849	FABRIC, MATTRESS TICKING CREAM 82"
--------	------------------------------------

## SHAM FABRIC

1168335	FABRIC, REGENT RAFFIA-RNDM QLT 12OZ/PC/B (INT. A)
1261320	FABRIC, FAUNA PARK-RNDM QLT 12OZ/PC/B (INT. D)
1261817	FABRIC, NORMANDY-RNDM QLT 12OZ/PC/B (INT. B)
1276161	FABRIC, SASAYAMA PEACOCK-RNDM QLT 12OZ/PC/B (INT. C)

## SHELF BOLSTERS

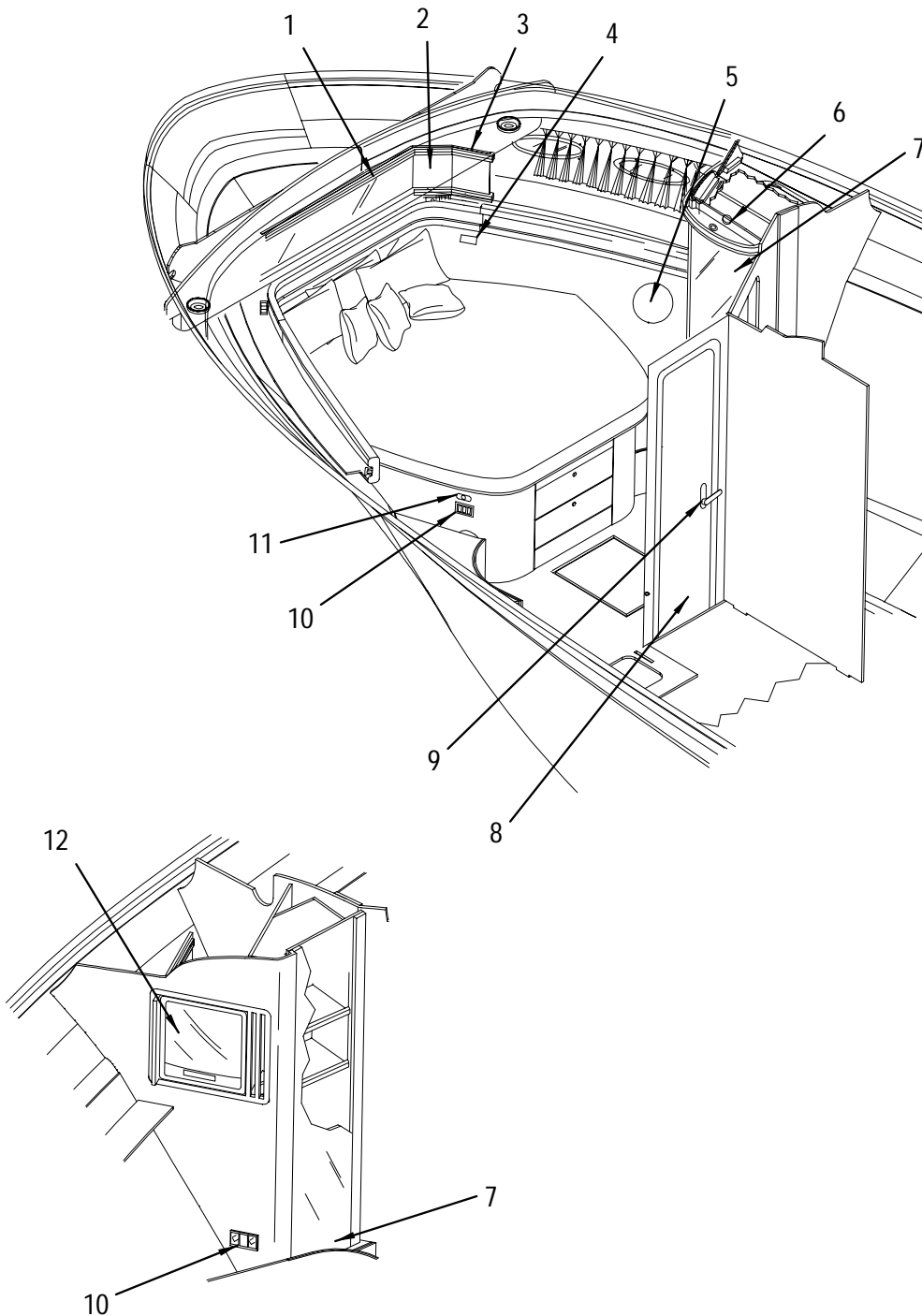
1079797	VINYL, ALLANTE II CHAMPAGNE EXP FLAT (INT. A, B, C)
892075	VINYL, ALLANTE II SEA OYSTER EXP FLAT (INT. D)

## SPEAKERS

1090430	FABRIC, SPKR CLOTH CREPE BUFF #18994 1/8"FB (INT. A, B, C)
931501	FABRIC, SPKR CLOTH CREPE SAND #17027 1/8"FB (INT. D)



FORWARD MASTER STATEROOM (STARBOARD VIEW)



**FORWARD MASTER STATEROOM (STARBOARD VIEW)**

1	1115633	MIRROR, 1/8"X 10.5"X 45.25"
2	1115617	MIRROR, 1/8"X 7.5"X 10.5"
3	1115625	MIRROR, 1/8"X 8.75"X 10.5"
4	893230	SWITCH, IDEA-SERIES SPST GREY
	627737	BOX, RECEPTACLE/SWITCH PVC 1-GANG DEEP
	893263	SWITCH, BLANK IDEA-SERIES GREY
	893289	FRAME, IDEA-SERIES 3-GANG SUPPORT FRAME GREY
	893297	COVER PLATE, IDEA-SERIES 3-GANG GOLD
5	1163070	SPEAKER, CLARION INT 6.5" BLK SRR1622
6	840868	LIGHT, COURTESY ROUND W/FROSTED LENS 12V/5W
	1192368	BULB, REPL FOR #0840868 12V/5W
7	1379007	450EB 00, DOOR, HANG LOCK STBD F-STRM HIN#
	1379015	450EB 00, DOOR, H-LCKR STBD F-STRM VTCR HI#
8	1304948	450EB 99, DOOR, F-STRM ENTRYWAY HIN#
	1379056	450EB 00, DOOR, ENTRYWAY F-STRM HIN#
	132324	HINGE, BUTT CHROME/ZINC 2"
	1379064	450EB 00, DOOR, ENTRYWAY F-STRM VTCR HIN#
	172262	STOP, DOOR W/HOOK W/BUMPER 3.25"
9	1260090	LATCH, DOOR W/LOCK CHR/BRS SWAN LH-IN
10	893222	RECEPTACLE, IDEA-SERIES SGL GRY
	627737	BOX, RECEPTACLE/SWITCH PVC 1-GANG DEEP
	893263	SWITCH, BLANK IDEA-SERIES GREY
	893289	FRAME, IDEA-SERIES 3-GANG SUPPORT FRAME GREY
	893297	COVER PLATE, IDEA-SERIES 3-GANG GOLD
11	894642	LIGHT, STEP SS (BIMINI)
	894659	BULB, STEP LIGHT 12V/5WATT (BIMINI)
12	1268606	TV/VCR, 13" PANASONIC BLK W/REMOTE/RADIO
	1185438	TV/VCR, 14" AIWA (220V/50 OPTION)
	145078	COVER PLATE, SGL DUPLEX RECEPT BRN
	145094	RECEPTACLE, DUPLEX BRN 15A
	180463	BOX, RECEPTACLE HANDY DUPLEX METAL
	184580	CONN, TV/FM ANTENNA TYPE F-59
	898577	SLIDE ASSY, PIVOT DOOR 16" (KNAPP/VOGT)

**BEDSPREADS**

1276138	FABRIC PNL, SASAYAMA-RNDM QLT 12OZ/PC/B (INT. C)
1261304	FABRIC PNL, FAUNA PARK-RNDM QLT 12OZ/PC/B (INT. D)
1276781	FABRIC PNL, REGENT RAFFIA-RNDM QLT 12OZ/PC/B (INT. A)
1276807	FABRIC PNL, NORMANDY-RNDM QLT 12OZ/PC/B (INT. B)

**CARPET RUNNER**

1248251	CANVAS, 450EB-00 CR TST
---------	-------------------------

**GUNWALE STORAGE CABINET**

1398437	450EB 00, DOOR, F-STRM GUNWALE STRG
---------	-------------------------------------

**HEADLINER/HULL LINER/WASHABLE SURFACE**

1079797	VINYL, ALLANTE II CHAMPAGNE EXP FLAT
1091743	VINYL, ALLANTE II CHAMPAGNE EXP 1/4"F/B DOW (INT. A, B, C)
892075	VINYL, ALLANTE II SEA OYSTER EXP FLAT
986810	VINYL, ALLANTE II SEA OYSTER EXP 1/4"F/B DOW (INT. D)

**INTERIOR CARPET**

1242312	CARPET, INT 44 OZ WHEATON #9191-B BT (INT. A, B, C)
1246198	CARPET, INT 44 OZ SNOW #9209-A BT (INT. D)

**INTERIOR STORAGE/BUNK TOPS**

1128487	FABRIC, GEOMETRIC STRAW (NDLPNCH) W/BACK
---------	--

**SHAM FABRIC**

1276161	FABRIC, SASAYAMA PEACOCK-RNDM QLT 12OZ/PC/B (INT. C)
1168335	FABRIC, REGENT RAFFIA-RNDM QLT 12OZ/PC/B (INT. A)
1261320	FABRIC, FAUNA PARK-RNDM QLT 12OZ/PC/B (INT. D)
1261817	FABRIC, NORMANDY-RNDM QLT 12OZ/PC/B (INT. B)

**SHELF BOLSTERS**

1079797	VINYL, ALLANTE II CHAMPAGNE EXP FLAT (INT. A, B, C)
892075	VINYL, ALLANTE II SEA OYSTER EXP FLAT (INT. D)

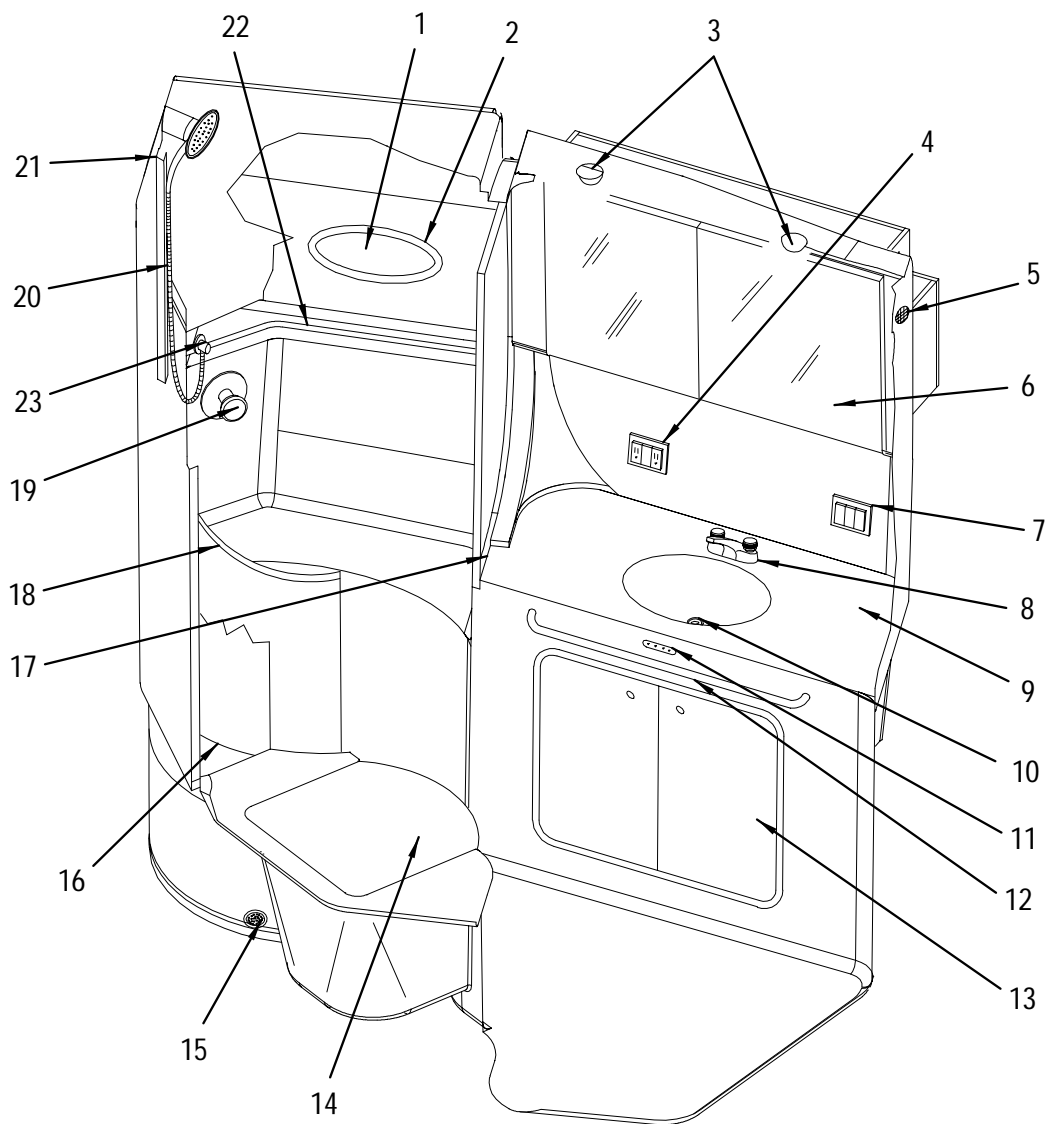
**SPEAKERS**

1090430	FABRIC, SPKR CLOTH CREPE BUFF #18994 1/8"FB (INT. A, B, C)
931501	FABRIC, SPKR CLOTH CREPE SAND #17027 1/8"FB (INT. D)

**NOT SHOWN**

1265081	RAIL, GRAB 450EB-00 PENTIL
180471	BOX, RECEPTACLE STD SYL PHENOLIC
186221	BRACKET, ALUM 1.5"X 1.5"X 1.5"SUPPORT
186239	BRACKET, ALUM 1.5"X 1.5"X 3"
198465	BRACKET, ALUM 1/8"X 3/4"X 1.5"X 3"L SUPPORT
632570	CATCH, GRABBER LATCH W/ 5LB HOLD BLK PLAS
770479	BRACKET, SS GAS CYL 90DEG 1" W/STUD
937680	LABEL, 7/16"X 7/8" VALANCE
937698	LABEL, 7/16"X 7/8" STATEROOM

MASTER HEAD (PORT FORWARD)



## MASTER HEAD (PORT FORWARD)

1	1248384	PORTLIGHT, OPENING ALL SS 3/8"-7/8" MOD FROS
	1107044	PORTLIGHT, HANDLES QUICKDOGS (BOMAR)
	1314459	PORTLIGHT, GASKET SATURATED FOAM
	1331313	PORTLIGHT, SCREEN 3/8"X 7/8"
	1331727	PORTLIGHT, LENS ONLY FROSTED (BOMAR)
	808121	PORTLIGHT, OPENING ALL SS 3/8" FROSTED
	817700	TRIM RING, PORTLIGHT 3/8" SS
	866434	KNOB, PORTLIGHT KNOB ONLY (BOMAR)
2	1057991	TRIM RING, V/F PORTLIGHT INNER CUSTOM 98
3	894774	LIGHT, DAVID-EYEBALL GLD/TRIM RING CHR/FRST L
	947796	BULB, REPL FOR TEBE/CHARLY BOY/SAMPEI/DAVID
4	893222	RECEPTACLE, IDEA-SERIES SGL GRY
	627737	BOX, RECEPTACLE/SWITCH PVC 1-GANG DEEP
	893263	SWITCH, BLANK IDEA-SERIES GREY
	893289	FRAME, IDEA-SERIES 3-GANG SUPPORT FRAME GREY
	893297	COVER PLATE, IDEA-SERIES 3-GANG GOLD
5	948372	A/C COMP, GRILL 4" W/DA CLW
6	1101047	DOOR, PLEX 450EB-98 MSTR HEAD O/B CAB MIRROR (VANITY)
	1101054	DOOR, PLEX 450EB-98 MSTR HEAD I/B CAB MIRROR (HEAD)
	124024	HOSE, VENT/BLOWER 3" EX HVY DTY
	129676	BLOWER, BILGE 3" FACE MNT #5412
	137356	VENT, POWER VENT 3" BLK
	145078	COVER PLATE, SGL DUPLEX RECEPT BRN
	172783	ADAPTER, HOSE FLANGE 3"
	258368	RECEPTACLE, GFI DUPLEX WHT 15A
	627737	BOX, RECEPTACLE/SWITCH PVC 1-GANG DEEP
	761445	CATCH, RIM-LOCK STRIKE PLATE
	798058	HINGE, CONCEALED FULL OVERLAY 105DEG SALICE
	834333	HINGE, CONCEALED PART OVERLAY MT PLATE SALICE
7	893230	SWITCH, IDEA-SERIES SPST GREY
	893289	FRAME, IDEA-SERIES 3-GANG SUPPORT FRAME GREY
	893297	COVER PLATE, IDEA-SERIES 3-GANG GOLD
	948208	FUSE HOLDER, FERRULE TYPE VIMAR
8	939173	FAUCET, LAV CTRSET CHR/BRS
	1298710	FAUCET, CARTRIDGE CERAMIC 90DEG LH
	1302504	FAUCET, CARTRIDGE CERAMIC 90DEG RH
	893388	FAUCET, HNDL CHR/BRS (CLASSIC)
9	1101013	TOP, CORIAN 450EB-98 MSTR HEAD VAN AURORA
10	146175	DRAIN ASSY, 1.25" DRAIN W/PLUG PLASTIC
	162453	DRAIN, P-TRAP ASSY W/CONN 1.25"-1.50"
11	851311	PANEL, WASTE LEVEL INDICATOR
	179853	LIGHT, INDICATOR GREEN 15V (POWER)
	179861	LIGHT, INDICATOR RED 15V (FULL)
	662478	LIGHT, INDICATOR AMBER 15V (INDICATOR)
12	505008	RAIL, GRAB 24" OVAL W/STUDS
13	956557	DOOR, STRG 20.25"X 24.25" DBL W/BUTT/HWR
	146399	HOLDER, TOILET PAPER WALL MNT CHR ROLLER
	558031	BUMPER, CLEAR SMALL ROUND
	800888	HINGE, SS CONT 2"X 72" (.188 CURL WIDTH)
14	870873	COVER, RTM TOILET LID CMPLT ANW 96
	1088830	LID, PLEX TOILET SEAT CATCH ANW
	270298	HEAD, VACU-FLUSH BTM DISCHARGE BONE
15	418871	DRAIN ASSY, SHOWER 1.25"NPT
16	1110170	TRACK, 450EB-98 MSTR SHOWER LWR HEAD/GUIDE
17	1101914	BULKHD, PLEX 450EB-98 MSTR O/B HEAD SHOWER
	1101922	BULKHD, PLEX 450EB-98 MSTR I/B HEAD SHOWER
18	1101930	DOOR, 450EB-98 MSTR HEAD SHOWER
19	916247	FAUCET, BATH MIXER CHR/BRS
20	916213	SHOWER BAR, SLIDE BAR 24" CHR (GROHE)
21	916205	SHOWER, HAND HELD ANGLED RELEXA PLUS
	916221	SHOWER, HOSE ASSY ONLY RELEXAFLEX CHR
22	1103738	RAIL, GRAB 450EB-98 MSTR HEAD SHOWER
23	900373	SHOWER, UNION FIXTURE CHR
	1368620	SHOWER, UNION 1" EXT

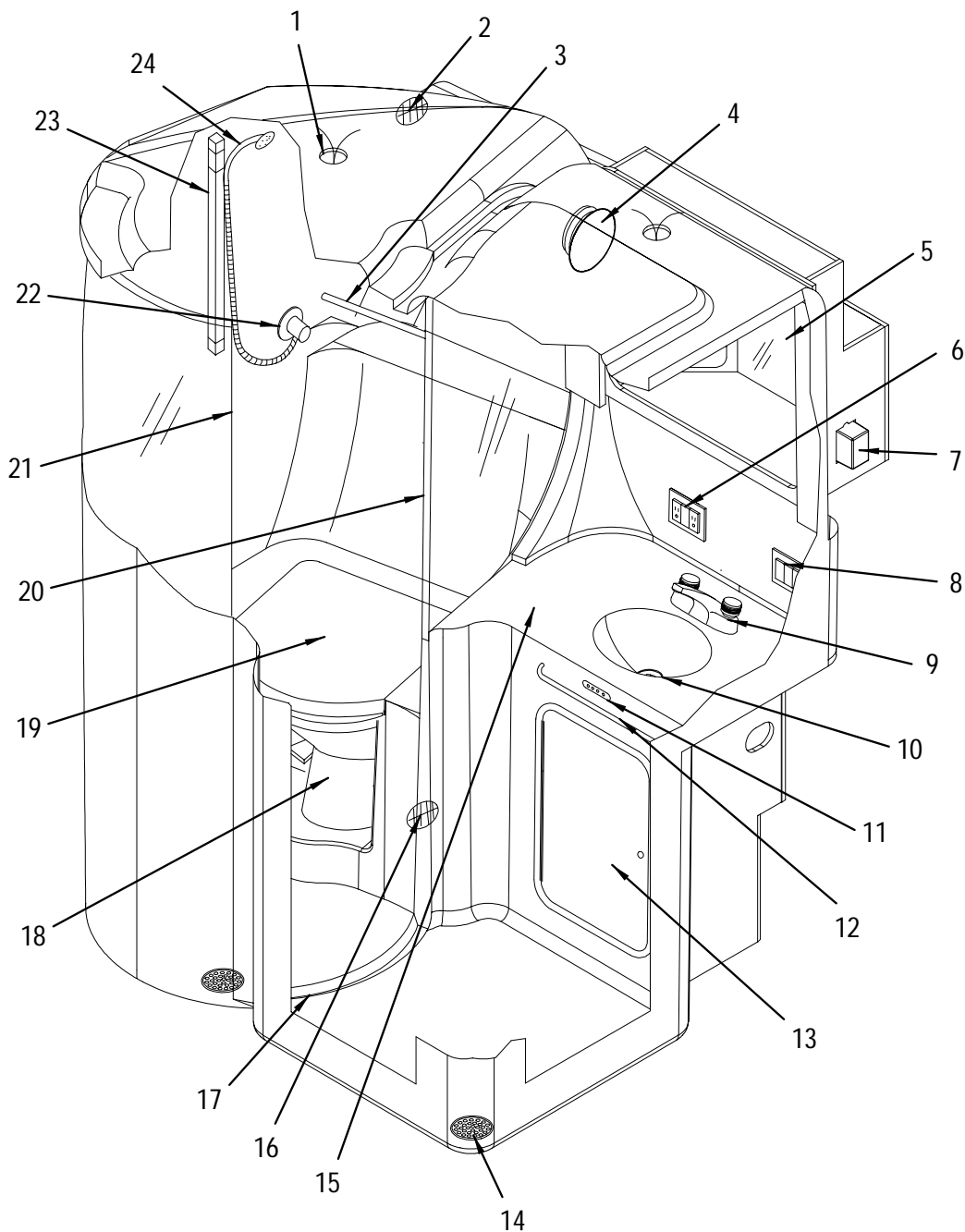
## NOT SHOWN

516344	LIGHT, HALOGEN BRASS W/BUBBLE LENS
975565	BULB, HALOGEN 12V/20W
1123165	LATCH, 12MM BRASS SHAFT EXTENSION
1182971	BUSHING, RBR 5/16"ID X 9/16"OD
180109	COVER PLATE, BILGE BOX 4"X 4" BRN PHENOLIC
180513	BOX, BILGE OUTLET PVC 4" X 4"
198465	BRACKET, ALUM 1/8"X 3/4"X 1.5"X 3"L SUPPORT
795773	LATCH, 1/2" SHAFT EXTENSION
937649	LABEL, 7/16"X 7/8" VENT
937706	LABEL, 7/16"X 7/8" HEAD

## MASTER HEAD ENTRY DOOR

1260090	LATCH, DOOR W/LOCK CHR/BRS SWAN LH-IN
1298256	PLATE, STRIKER MOBELLA SWAN LATCH
132324	HINGE, BUTT CHROME/ZINC 2"
172262	STOP, DOOR W/HOOK W/BUMPER 3.25"
990549	PLATE, STRIKER MOBELLA
1379098	450EB 00, DOOR, ENTRY PORT HEAD HIN#
1379106	450EB 00, DOOR, ENTRY PORT HEAD VTCR HIN#

GUEST HEAD (STARBOARD FORWARD)



**GUEST HEAD (STARBOARD FORWARD)****NOT SHOWN**

1	894774	LIGHT, DAVID-EYEBALL GLD/TRIM RING CHR/FRST L
	947796	BULB, REPL FOR TEBE/CHARLY BOY/SAMPEI/DAVID
2	948372	A/C COMP, GRILL 4" W/DA CLW
3	1103720	RAIL, GRAB 450EB-98 GUEST HEAD SHOWER
4	916247	FAUCET, BATH MIXER CHR/BRS
5	1101039	DOOR, PLEX 450EB-98 GUEST HEAD MIRROR
	761445	CATCH, RIM-LOCK STRIKE PLATE
	798058	HINGE, CONCEALED FULL OVERLAY 105DEG SALICE
	834333	HINGE, CONCEALED PART OVERLAY MT PLATE SALICE
6	893222	RECEPTACLE, IDEA-SERIES SGL GRY
	627737	BOX, RECEPTACLE/SWITCH PVC 1-GANG DEEP
	893263	SWITCH, BLANK IDEA-SERIES GREY
	893289	FRAME, IDEA-SERIES 3-GANG SUPPORT FRAME GREY
	893297	COVER PLATE, IDEA-SERIES 3-GANG GOLD
7	627737	BOX, RECEPTACLE/SWITCH PVC 1-GANG DEEP
	145078	COVER PLATE, SGL DUPLEX RECEPT BRN
	258368	RECEPTACLE, GFI DUPLEX WHT 15A
8	893230	SWITCH, IDEA-SERIES SPST GREY
	813915	FUSE, FERRULE TYPE AGC 7.5A
	893289	FRAME, IDEA-SERIES 3-GANG SUPPORT FRAME GREY
	893297	COVER PLATE, IDEA-SERIES 3-GANG GOLD
	948208	FUSE HOLDER, FERRULE TYPE VIMAR
9	939173	FAUCET, LAV CTRSET CHR/BRS
	1298710	FAUCET, CARTRIDGE CERAMIC 90DEG LH
	1302504	FAUCET, CARTRIDGE CERAMIC 90DEG RH
	893388	FAUCET, HNDL CHR/BRS (CLASSIC)
10	146175	DRAIN ASSY, 1.25" DRAIN W/PLUG PLASTIC
	162453	DRAIN, P-TRAP ASSY W/CONN 1.25"-1.50"
	532416	ELBOW, PVC 1.25"FPT X 1.5"BARB X 90DEG
11	851311	PANEL, WASTE LEVEL INDICATOR
	179853	LIGHT, INDICATOR GREEN 15V (POWER)
	179861	LIGHT, INDICATOR RED 15V (FULL)
	662478	LIGHT, INDICATOR AMBER 15V (INDICATOR)
12	335521	RAIL, GRAB 18" OVAL W/STUD
13	988675	DOOR, STRG W/20"X 14" FRAME INT GLD BTN
	558031	BUMPER, CLEAR SMALL ROUND
	800888	HINGE, SS CONT 2"X 72" (.188 CURL WIDTH)
14	418871	DRAIN ASSY, SHOWER 1.25"NPT
	532416	ELBOW, PVC 1.25"FPT X 1.5"BARB X 90DEG
15	1101021	TOP, CORIAN 450EB-98 GST HEAD VAN AURORA
16	137356	VENT, POWER VENT 3" BLK
	124024	HOSE, VENT/BLOWER 3" EX HVY DTY
	129676	BLOWER, BILGE 3" FACE MNT #5412
	172783	ADAPTER, HOSE FLANGE 3"
17	1110188	TRACK, 450EB-98 GUEST SHOWER LWR HEAD/GUIDE
18	270298	HEAD, VACU-FLUSH BTM DISCHARGE BONE
19	870873	COVER, RTM TOILET LID CMLPT ANW 96
	1088830	LID, PLEX TOILET SEAT CATCH ANW
	558031	BUMPER, CLEAR SMALL ROUND
20	1102235	BULKHD, PLEX 450EB-98 GUEST HEAD
21	1102227	DOOR, 450EB-98 GUEST HEAD SHOWER
22	900373	SHOWER, UNION FIXTURE CHR
	1368620	SHOWER, UNION 1" EXT
23	916213	SHOWER BAR, SLIDE BAR 24" CHR (GROHE)
24	916205	SHOWER, HAND HELD ANGLED RELEXA PLUS
	916221	SHOWER, HOSE ASSY ONLY RELEXAFLEX CHR

516344	LIGHT, HALOGEN BRASS W/BUBBLE LENS
975565	BULB, HALOGEN 12V/20W
1057991	TRIM RING, V/F PORTLIGHT INNER CUSTOM 98
1123165	LATCH, 12MM BRASS SHAFT EXTENSION
1182971	BUSHING, RBR 5/16"ID X 9/16"OD
135046	LABEL, DANGER UNPLUG SHORE POWER
146399	HOLDER, TOILET PAPER WALL MNT CHR ROLLER
180109	COVER PLATE, BILGE BOX 4"X 4" BRN PHENOLIC
180513	BOX, BILGE OUTLET PVC 4" X 4"
638239	BUSS BAR, 3-GANG TERMINAL STRIP (LARGE)
937706	LABEL, 7/16"X 7/8" HEAD

**GUEST HEAD ENTRY DOOR**

1379114	450EB 00, DOOR, ENTRYWAY STBD HEAD HIN#
1379122	450EB 00, DOOR, ENTRYWAY STBD HEAD VTCR HN#
1260090	LATCH, DOOR W/LOCK CHR/BRS SWAN LH-IN
1298256	PLATE, STRIKER MOBELLA SWAN LATCH
132324	HINGE, BUTT CHROME/ZINC 2"
172262	STOP, DOOR W/HOOK W/BUMPER 3.25"

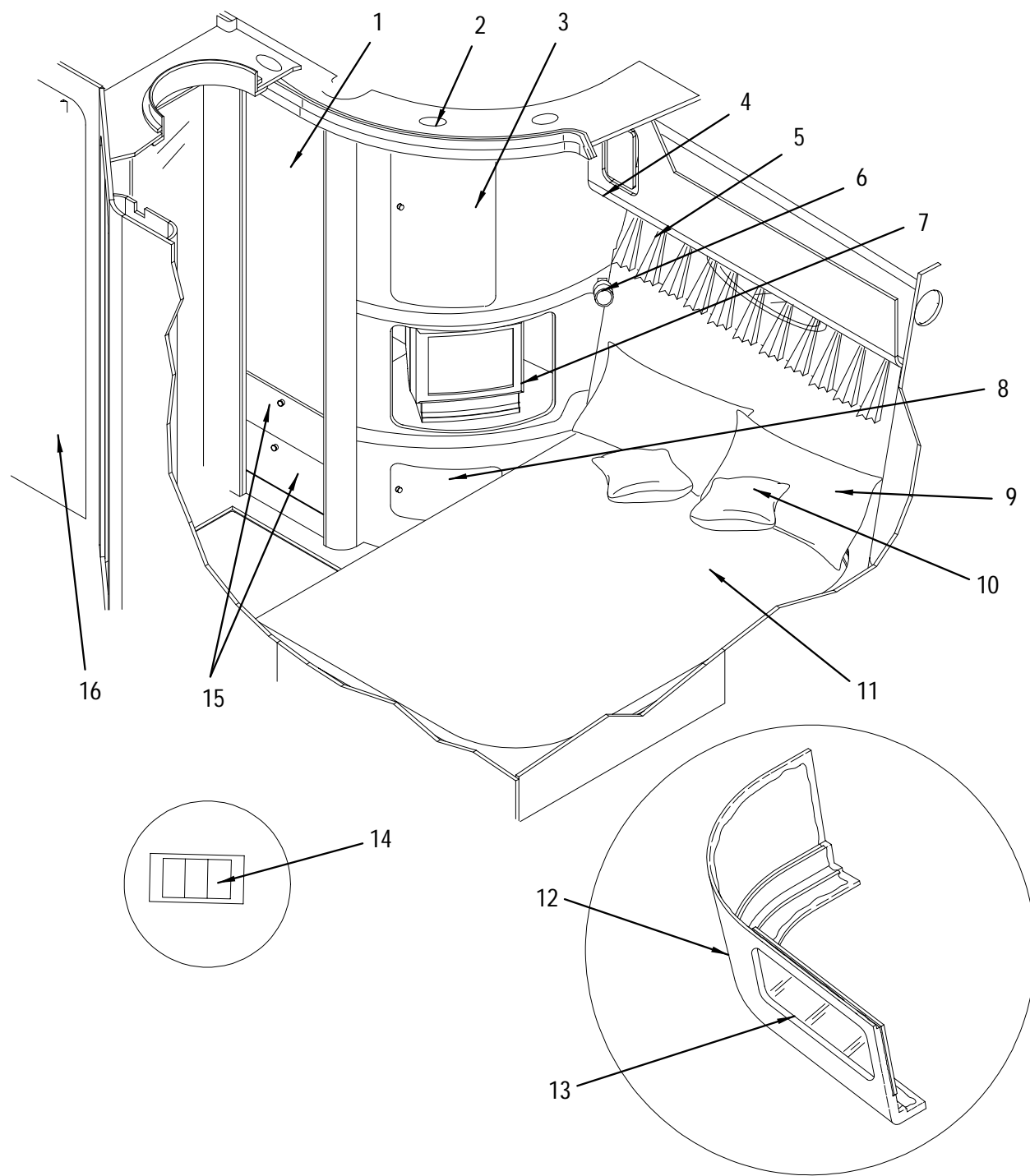
**HEAD/HULL LINER/ WASHABLE SURFACE**

986810	VINYL, ALLANTE II SEA OYSTER EXP 1/4"F/B DOW
--------	--

**WATER SYSTEMS, MISC.**

1214840	ELBOW, SEATECH 90DEG STEM 15MM
1215235	CLIP, SEATECH COLLET 15MM
1216308	ADAPTER, SEATECH STRAIGHT 1/2"M-15MM BRASS
123844	HOSE, SANI/SMOOTH WALL 1.5"
1253111	ADAPTER, SEATECH 3/8"M COMP-15MM BRASS
172726	HOSE CUFF, 1.5" RH WHT
490219	HOSE, CORR SAN/WATER-FILL 1.5" RH
846899	HOSE, SANI 1.5" PREMIUM RBR BLK

GUEST STARBOARD STATEROOM



## GUEST STARBOARD STATEROOM

- 1 1379155 450EB 00, DOOR, HANG LOCK S-STRM HIN#  
 1379163 450EB 00, DOOR, HANG LOCK S-STRM VTCR HIN#  
 1110469 MIRROR, 1/8"X 15 5/8"P/E X 53.75"P/E  
 1176635 PULL, DOOR FLUSH MIRROR .050 BRUSHED BRASS  
 135046 LABEL, DANGER UNPLUG SHORE POWER  
 183236 SWITCH, LOCKER LIGHT PLUNGER WHT  
 521526 HINGE, CONCEALED FULL OVERLAY W/100 DEG ANGLE  
 604801 BULB, DOME LIGHT 12V  
 632570 CATCH, GRABBER LATCH W/ 5LB HOLD BLK PLAS  
 761445 CATCH, RIM-LOCK STRIKE PLATE  
 772418 CATCH, RIM-LOCK WHT  
 822668 LIGHT, SGL DOME FLUSH MT PLAS WHT W/O SWITCH  
 831099 BAR, HANGING ROD (CLOTHES) ALUM 18.75"  
 2 894774 LIGHT, DAVID-EYEBALL GLD/TRIM RING CHR/FRST L  
 947796 BULB, REPL FOR TEBE/CHARLY BOYS/SAMPEI/DAVID  
 3 1379171 450EB 00, DOOR, STRG UP R S-STRM HIN#  
 1379189 450EB 00, DOOR, STRG UP R S-STRM VTCR HIN#  
 525667 HINGE, CONCEALED FULL OVERLAY MT PLATE ONLY  
 761445 CATCH, RIM-LOCK STRIKE PLATE  
 772418 CATCH, RIM-LOCK WHT  
 839399 HINGE, SELF CLOSING BLUM SCREW-ON  
 945238 PULL, PUSH-BUTTON POL SOLID BRASS  
 945246 PULL, ROSETTE POL SOLID BRASS 19MM  
 4 132183 TRACK, ALUM CURT TRK 0.275"X 0.688" TAB TYPE  
 5 1276740 CURTAIN, 450EB-00 PKGC-SUNNYVALE TAN  
 1276419 CURTAIN, 450EB-00 PKGA-MERYWICK RAFFIA  
 1276625 CURTAIN, 450EB-00 PKGB-LEO'N  
 1278928 CURTAIN, 450EB-00 PKGD-SHANTUNG SH LYNX  
 6 971192 LIGHT, SAMPEI HALOGEN GLD W/SW 12V/10W  
 1100940 BULB, 12V/10W OSRAM  
 7 1185438 TV/VCR, 14" AIWA  
 1268606 TV/VCR, 13" PANASONIC BLK W/REMOTE/RADIO  
 1271055 TELEVISION, SWIVEL BASE 6" ROUND  
 145078 COVER PLATE, SGL DUPLEX RECEP BRN  
 145094 RECEP TACLE, DUPLEX BRN 15A  
 180463 BOX, RECEP TACLE HANDY DUPLEX METAL  
 8 1379197 450EB 00, DOOR, STRG LWR S-STRM HIN#  
 1379205 450EB 00, DOOR, STRG LWR S-STRM VTCR HIN#  
 521526 HINGE, CONCEALED FULL OVERLAY W/100 DEG ANGLE  
 525667 HINGE, CONCEALED FULL OVERLAY MT PLATE ONLY  
 945238 PULL, PUSH-BUTTON POL SOLID BRASS  
 945246 PULL, ROSETTE POL SOLID BRASS 19MM  
 9 651257 PILLOW, QUEEN SIZE  
 1380526 450EB 00, PILLOW SHAM, S-STRM HIN#  
 1380567 450EB 00, PILLOW CASE, S-STRM HIN#  
 10 1277144 PILLOW PKG, 2000 SPYACHT PKG C GUEST STRM (3)  
 1277128 PILLOW PKG, 2000 SPYACHT PKG A GUEST STRM (3)  
 1277136 PILLOW PKG, 2000 SPYACHT PKG B GUEST STRM (3)  
 1317957 PILLOW PKG, 2000 SPYACHT PKG D GUEST STRM (3)  
 11 1380518 450EB 00, BEDSPREAD, CMPLT S-STRM HIN#  
 1009901 SHEETING, SHEET MATERIAL CREAM 96"  
 1095868 FOAM, P/C 450EB-98 STBD STRM FOAM KIT 4PC  
 1380484 450EB 00, MATTRESS, S-STRM HIN#  
 1380534 450EB 00, SHEET, SET CMPLT S-STRM HIN#  
 1380542 450EB 00, SHEET, FITTED S-STRM HIN#  
 1380559 450EB 00, SHEET, FLAT S-STRM HIN#  
 195479 HINGE, AL CONT FORM/DBL 2.5"X 72" SATIN  
 634550 BRACKET, SS GAS CYL 90DEG L-BRKT W/BALL LONG  
 634600 CYLINDER, GAS 60PSI 20"EXT X 12"COMP  
 757849 FABRIC, MATTRESS TICKING CREAM 82"  
 12 1380492 450EB 00, BLSTR, SIDE SHELF S-STRM HIN#  
 1380500 450EB 00, BLSTR SKIN, SIDE SHELF S-STRM HIN#  
 13 1256551 MIRROR, 1/8"X 13.75"X 34 1/8"  
 14 893222 RECEP TACLE, IDEA-SERIES SGL GRY  
**(BUNK BASE)**  
 627737 BOX, RECEP TACLE/SWITCH PVC 1-GANG DEEP  
 893263 SWITCH, BLANK IDEA-SERIES GREY  
 893289 FRAME, IDEA-SERIES 3-GANG SUPPORT FRAME GREY  
 893297 COVER PLATE, IDEA-SERIES 3-GANG GOLD  
 15 1379213 450EB 00, DRAWER FACE, S-STRM HIN#  
 1379221 450EB 00, DRAWER FACE, S-STRM VTCR HIN#  
 119131 DRAWER, PLAS 14"X 15"X 7.1"  
 119255 DRAWER SLIDE, PLAS 20"  
 187591 PLATE, DRAWER STOP PLATE 1/8"X2"X3"ALUM  
 761445 CATCH, RIM-LOCK STRIKE PLATE  
 945238 PULL, PUSH-BUTTON POL SOLID BRASS  
 945246 PULL, ROSETTE POL SOLID BRASS 19MM  
 16 1379130 450EB 00, DOOR, ENTRYWAY S-STRM HIN#  
 1379148 450EB 00, DOOR, ENTRYWAY S-STRM VTCR HIN#  
 1065960 THRESHOLD, SS 480/420DB-04 ENTRYWAY 19.5"

- 16 1260116 LATCH, DOOR W/LOCK CHR/BRS SWAN RH-IN  
 132324 HINGE, BUTT CHROME/ZINC 2"  
 172262 STOP, DOOR W/HOOK W/BUMPER 3.25"

## BEDSPREAD AND PILLOW SHAMS (FABRIC)

- 1269281 FABRIC, STUCCO PEACOCK FLAT  
 (INT. C)  
 1168368 FABRIC, REGENT PLAID FLAT  
 (INT. A)  
 1168376 FABRIC, REGENT PLAID-RNDM QLT 12OZ/PC/B  
 (INT. A)  
 1261544 FABRIC, PROVINCE FLAT  
 (INT. B)  
 1261569 FABRIC, FUTURA SMOKESCREEN FLAT  
 (INT. D)  
 1261650 FABRIC, FUTURA-RNDM QLT 12OZ/PC/B  
 (INT. D)  
 1261825 FABRIC, PROVINCE-RNDM QLT 12OZ/PC/B  
 (INT. B)  
 1276146 FABRIC PNL, STUCCO PEACOCK-RNDM QLT 12OZ/PC/B  
 (INT. C)  
 1276187 FABRIC, STUCCO PEACOCK-RNDM QLT 12OZ/PC/B  
 (INT. C)  
 1276229 FABRIC PNL, FUTURA-RNDM QLT 12OZ/PC/B  
 (INT. D)  
 1276799 FABRIC PNL, REGENT PLAID-RNDM QLT 12OZ/PC/B  
 (INT. A)  
 1276815 FABRIC PNL, PROVINCE-RNDM QLT 12OZ/PC/B  
 (INT. B)

## CARPET RUNNER

- 1248251 CANVAS, 450EB-00 CR TST

## GUEST STATEROOM ENTRYWAY

- 1055821 A/C COMP, FACE PLATE FOR CONTROL BLK  
 627737 BOX, RECEP TACLE/SWITCH PVC 1-GANG DEEP  
 660126 A/C COMP, ECU CONTROL UNIT  
 893230 SWITCH, IDEA-SERIES SPST GREY  
 893263 SWITCH, BLANK IDEA-SERIES GREY  
 893289 FRAME, IDEA-SERIES 3-GANG SUPPORT FRAME GREY  
 893297 COVER PLATE, IDEA-SERIES 3-GANG GOLD

## HEADLINER/HULL LINER/WASHABLE SURFACE

- 1091743 VINYL, ALLANTE II CHAMPAGNE EXP 1/4"F/B DOW  
 (INT. A, B, C)  
 986810 VINYL, ALLANTE II SEA OYSTER EXP 1/4"F/B DOW  
 (INT. D)

## INTERIOR CARPET

- 1242312 CARPET, INT 44 OZ WHEATON #9191-B BT  
 (INT. A, B, C, D)  
 1246198 CARPET, INT 44 OZ SNOW #9209-A BT  
 (INT. D- SANDSTONE OPT.)

## INTERIOR STORAGE/BUNK TOPS

- 1128487 FABRIC, GEOMETRIC STRAW (NDLPNCH) W/BACK

## SPEAKERS

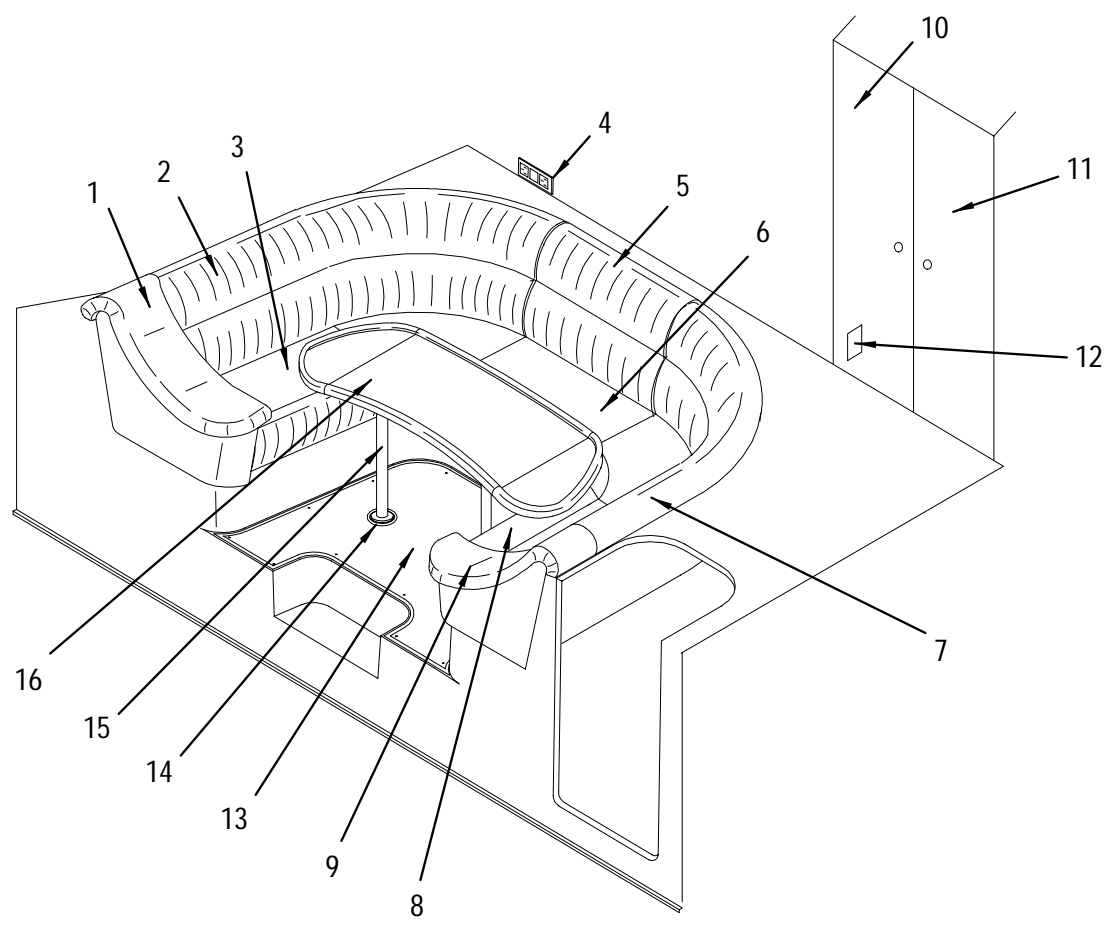
- 931501 FABRIC, SPKR CLOTH CREPE SAND #17027 1/8"FB  
 (INT. D)  
 1090430 FABRIC, SPKR CLOTH CREPE BUFF #18994 1/8"FB  
 (INT. A, B, C)

## NOT SHOWN

- 174599 LIFT HANDLE, HATCH LIFT BOLT 1/4"X 4" SHANK  
 180109 COVER PLATE, BILGE BOX 4"X 4" BRN PHENOLIC  
 180513 BOX, BILGE OUTLET PVC 4" X 4"  
 186221 BRACKET, ALUM 1.5"X 1.5"X 1.5" SUPPORT  
 186239 BRACKET, ALUM 1.5"X 1.5"X 3"  
 843656 FLOORING, VINYL DIAMOND PLATE 4"X 75"  
 937698 LABEL, 7/16"X 7/8" STATEROOM



DINETTE



**DINETTE**

- 1 1380575 450EB 00, CUSH, ARMREST FWD DINETTE HIN#  
1380583 450EB 00, CUSH SKIN, ARMREST FWD DINETTE HIN#
- 2 1380591 450EB 00,B/R,FWD I/B DIN  
1380609 450EB 00,B/R SKN,FWD I/B DIN
- 3 1380617 450EB 00,CUSH,FWD I/B DIN  
1380625 450EB 00,CUSH SKN,FWD I/B DIN
- 4 893222 RECEPTACLE, IDEA-SERIES SGL GRAY  
627737 BOX, RECEPTACLE/SWITCH PVC 1-GANG DEEP  
893263 SWITCH, BLANK IDEA-SERIES GREY  
893289 FRAME, IDEA-SERIES 3-GANG SUPPORT FRAME GREY  
893297 COVER PLATE, IDEA-SERIES 3-GANG GOLD
- 5 1380674 450EB 00,B/R,CTR DIN  
1380682 450EB 00,B/R SKN,CTR DIN
- 6 1380690 450EB 00,CUSH,CTR DIN  
1380708 450EB 00,CUSH SKN,CTR DIN
- 7 1380757 450EB 00,B/R,AFT I/B DIN  
1380765 450EB 00,B/R SKN,AFT I/B DIN
- 8 1380773 450EB 00,CUSH,AFT I/B DIN  
1380781 450EB 00,CUSH SKN,AFT I/B DIN
- 9 1380799 450EB 00,CUSH,ARMRST AFT DIN  
1380807 450EB 00,CUSH SKN,ARMRST AFT DIN
- 10 1379270 450EB 00, DOOR, STRG LH DINETTE HIN#  
1379288 450EB 00, DOOR, STRG LH DINETTE VTCR HIN#  
521526 HINGE, CONCEALED FULL OVERLAY W/100 DEG ANGLE  
525667 HINGE, CONCEALED FULL OVERLAY MT PLATE ONLY  
761445 CATCH, RIM-LOCK STRIKE PLATE  
772418 CATCH, RIM-LOCK WHT  
945238 PULL, PUSH-BUTTON POL SOLID BRASS  
945246 PULL, ROSETTE POL SOLID BRASS 19MM
- 11 1379254 450EB 00, DOOR, STRG RH DINETTE HIN#  
1379262 450EB 00, DOOR, STRG RH DINETTE VTCR HIN#  
521526 HINGE, CONCEALED FULL OVERLAY W/100 DEG ANGLE  
525667 HINGE, CONCEALED FULL OVERLAY MT PLATE ONLY  
761445 CATCH, RIM-LOCK STRIKE PLATE  
772418 CATCH, RIM-LOCK WHT  
945238 PULL, PUSH-BUTTON POL SOLID BRASS  
945246 PULL, ROSETTE POL SOLID BRASS 19MM
- 12 914689 SWITCH, DIMMER AC-LV 2-MODULE  
627737 BOX, RECEPTACLE/SWITCH PVC 1-GANG DEEP  
893263 SWITCH, BLANK IDEA-SERIES GREY  
893289 FRAME, IDEA-SERIES 3-GANG SUPPORT FRAME GREY  
893297 COVER PLATE, IDEA-SERIES 3-GANG GOLD  
948208 FUSE HOLDER, FERRULE TYPE VIMAR
- 13 1380815 450EB 00,CARPET,SNPN DIN
- 14 671925 BASE, LEG/POST FLUSH MT ALUM (ZWAARDVIS)  
671933 BASE, LEG/POST SURFACE MT ALUM (ZWAARDVIS)
- 15 689232 POST, TABLE LEG 30.75" ALUM RIB 60MM DBL TPR  
693689 POST, TABLE LEG 10.75" RIBBED (ZWAARDVIS)
- 16 1379239 450EB 00, TABLE, DINETTE HIN#  
1379247 450EB 00, TABLE, DINETTE VTCR HIN#  
831966 HINGE, CONCEALED SOSS (WINGS:1/2"W X 2 3/8"L)

**CARPET RUNNER**

- 1248251 CANVAS, 450EB-00 CR TST

**FABRICS, MISC MATERIALS, ETC.**

- 1316983 FLOORING, VINYL LONCOIN II FLECKS SANDSTONE  
102145 FABRIC, DENIM 58" 102B  
178509 VELCRO, HOOK BLK 2"  
828756 VELCRO, LOOP BLK 2" ADH  
840181 BINDING, CANVAS 7/8" LINEN TWEED SUNBRELLA

**HEADLINER/HULL LINER/WASHABLE SURFACE**

- 1079797 VINYL, ALLANTE II CHAMPAGNE EXP FLAT  
(INT. A, B, C)  
1091743 VINYL, ALLANTE II CHAMPAGNE EXP 1/4"F/B DOW  
(INT. A, B, C)  
892075 VINYL, ALLANTE II SEA OYSTER EXP FLAT  
(INT. D)  
986810 VINYL, ALLANTE II SEA OYSTER EXP 1/4"F/B DOW  
(INT. D)

**INTERIOR SALON CARPET**

- 1242320 CARPET, INT 44 OZ WHEATON #9191-B KB  
(INT. A, B, C)  
1246206 CARPET, INT 44 OZ SNOW #9209-A KB  
(INT. D)

**INTERIOR STORAGE/BUNK TOPS**

- 1128487 FABRIC, GEOMETRIC STRAW (NDLPNCH) W/BACK

**PILLOW PACKAGE**

- 1277078 PILLOW PKG, 2000 SPYACHT PKG C SALON (4)  
1277052 PILLOW PKG, 2000 SPYACHT PKG A SALON (4)  
1277060 PILLOW PKG, 2000 SPYACHT PKG B SALON (4)  
1277086 PILLOW PKG, 2000 SPYACHT PKG D SALON (4)

**SOFA (LYNX OPTION INTERIOR)**

- 1141787 VINYL, EMPIRE II LYNX EXP FLAT

**SOFA (STANDARD)**

- 1141803 VINYL, EMPIRE II CHAMPAGNE EXP FLAT  
(INT. A, B, C)  
1141795 VINYL, EMPIRE II SEA OYSTER EXP FLAT  
(INT. D)

**SOFA (ULTRASUEDE OPTION)**

- 1004050 FABRIC, ULTRALEATHER BUFF #3609  
(INT. A & C)  
1228352 FABRIC, ULTRALEATHER MILKWEED #3455  
(INT. B & D)

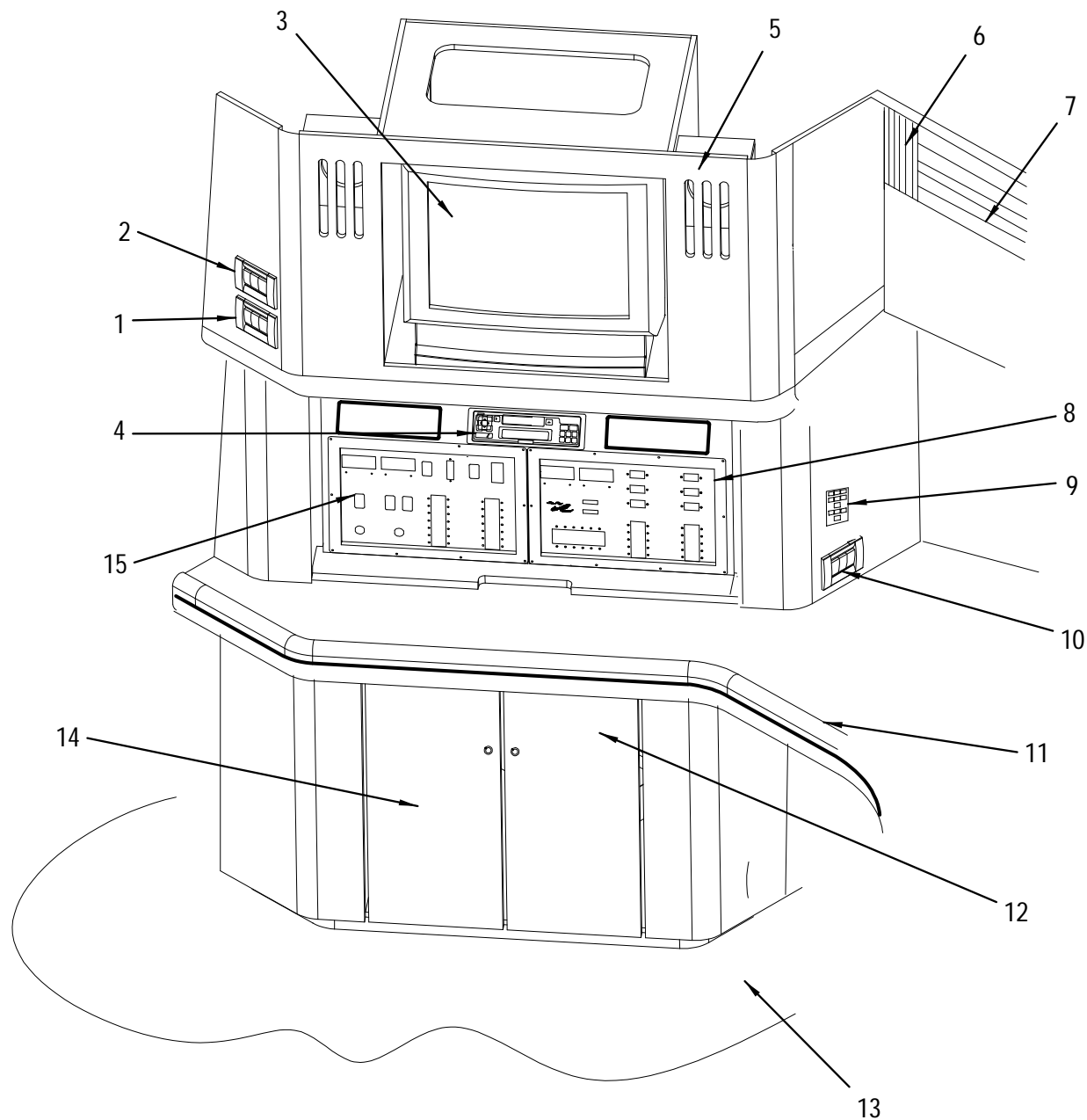
**SPEAKERS**

- 1090430 FABRIC, SPKR CLOTH CREPE BUFF #18994 1/8"FB  
(INT. A, B, C)  
931501 FABRIC, SPKR CLOTH CREPE SAND #17027 1/8"FB  
(INT. D)

**NOT SHOWN**

- 681247 HINGE, AL CONT FORM/SGL 3/4"X 1.5"X 72"  
790436 T-MOLD, VINYL INSERT 9/16" ALMOND  
931329 TRANSFORMER, 120-12VAC 50VA CBX

SALON WITH ENTERTAINMENT CENTER



## SALON WITH ENTERTAINMENT CENTER

1	894626	SWITCH, IDEA-SERIES SPDT GREY
	627737	BOX, RECEPTACLE/SWITCH PVC 1-GANG DEEP
	893230	SWITCH, IDEA-SERIES SPST GREY
	893263	SWITCH, BLANK IDEA-SERIES GREY
	893289	FRAME, IDEA-SERIES 3-GANG SUPPORT FRAME GREY
	893297	COVER PLATE, IDEA-SERIES 3-GANG GOLD
2	893230	SWITCH, IDEA-SERIES SPST GREY
	627737	BOX, RECEPTACLE/SWITCH PVC 1-GANG DEEP
	893263	SWITCH, BLANK IDEA-SERIES GREY
	893289	FRAME, IDEA-SERIES 3-GANG SUPPORT FRAME GREY
	893297	COVER PLATE, IDEA-SERIES 3-GANG GOLD
3	1268614	TV/VCR, 20" PANASONIC BLK W/REMOTE/RADIO
	933234	TELEVISION, 21" PHILLIPS MULTI-SYSTEM EURO (OPTIONAL 220V/50 ELECTRICAL SYSTEM)
	1379379	450EB 00, DOOR, CAB TV UPR LH SALON HIN#
	1379387	450EB 00, DOOR, CAB TV UPR LH SALON VTCR HIN#
	1379395	450EB 00, DOOR, CAB TV UPR RH SALON HIN#
	1379403	450EB 00, DOOR, CAB TV UPR RH SALON VTCR HIN#
4	1082015	STEREO, AMP CLARION APA2030 12V
	1049808	STEREO, AM/FM CASS/CD W/CHANGER CNTRL
	1049832	STEREO, CD CHANGER 6-DISC M635
	1258441	EXTENSION, CABLE 24" MALE TO FEMALE
	703306	SPLITTER, 4-WAY
5	1379312	450EB 00, GRILL, TV CAB UPR SALON HIN#
	1379320	450EB 00, GRILL, TV CAB UPR SALON VTCR HIN#
6	1276740	CURTAIN, 450EB-00 PKGC-SUNNYVALE TAN
	1276419	CURTAIN, 450EB-00 PKGA-MERRYWICK RAFFIA
	1276625	CURTAIN, 450EB-00 PKGB-LEO'N
	1278928	CURTAIN, 450EB-00 PKGD-SHANTUNG SH LYNX
	132183	TRACK, ALUM CURT TRK 0.275"X 0.688" TAB TYPE
7	1118256	BLINDS, 450EB-98 CELL-BUFF/ALAB-VAN
8	974378	PANEL, 480DB-98 MDP 240VAC
	979930	PANEL, 480DB-98 MAIN DIST 220VAC 50HZ
9	660126	A/C COMP, ECU CONTROL UNIT
	1055821	A/C COMP, FACE PLATE FOR CONTROL BLK
10	893297	COVER PLATE, IDEA-SERIES 3-GANG GOLD
	627737	BOX, RECEPTACLE/SWITCH PVC 1-GANG DEEP
	893230	SWITCH, IDEA-SERIES SPST GREY
	893263	SWITCH, BLANK IDEA-SERIES GREY
	893289	FRAME, IDEA-SERIES 3-GANG SUPPORT FRAME GREY
	894626	SWITCH, IDEA-SERIES SPDT GREY
11	1123447	NOSING, ALUM 8' ROUNDED GOLD (ROLDOR)
12	1379338	450EB 00, DOOR, CAB AFT LWR RH SALON HIN#
	1379346	450EB 00, DOOR, CAB AFT LWR RH SALON VTCR HIN#
13	1242320	CARPET, INT 44 OZ WHEATON #9191-B KB (INT. A, B, C)
	1246206	CARPET, INT 44 OZ SNOW #9209-A KB (INT. D)
14	1379353	450EB 00, DOOR, CAB AFT LWR LH SALON HIN#
	1379361	450EB 00, DOOR, CAB AFT LWR LH SALON VTCR HIN#
	525667	HINGE, CONCEALED FULL OVERLAY MT PLATE ONLY
	761445	CATCH, RIM-LOCK STRIKE PLATE
	772418	CATCH, RIM-LOCK WHT
	839399	HINGE, SELF CLOSING BLUM SCREW-ON
	898577	SLIDE ASSY, PIVOT DOOR 16" (KNAPP/VOGT)
	945238	PULL, PUSH-BUTTON POL SOLID BRASS
	945246	PULL, ROSETTE POL SOLID BRASS 19MM
15	1276054	PANEL, 450EB/460DA/480DB-00 DC DIST

## LABELS

187245	LABEL, BOATMAN'S CHECK LIST
532820	LABEL, DISPOSAL OF GARBAGE
852574	LABEL, INTERMEDIATE BREAKER WARNING
937615	LABEL, 7/16"X 7/8" SALON
937623	LABEL, 7/16"X 7/8" BILGE
937631	LABEL, 7/16"X 7/8" INDIRECT

## OWNERS PACKET

1127364	PACKET, MULTI-INFO 450EB-98
800565	BOOKLET, BOATER'S GUIDE TO AC ELECTRICAL SYST
186957	MILDEW DISC, 2.5 OZ.
184424	KEY RING, PLASTIC BUOY RED
907808	CARD, WARRANTY DOUGLASS BATT ORIG EQUIP LTD
1325869	MANUAL, PARTS 00 450EB
1202050	CANVAS, CARE PKG COMPLIMENTS OF BOATSWAINS

## NOT SHOWN ELECTRICAL

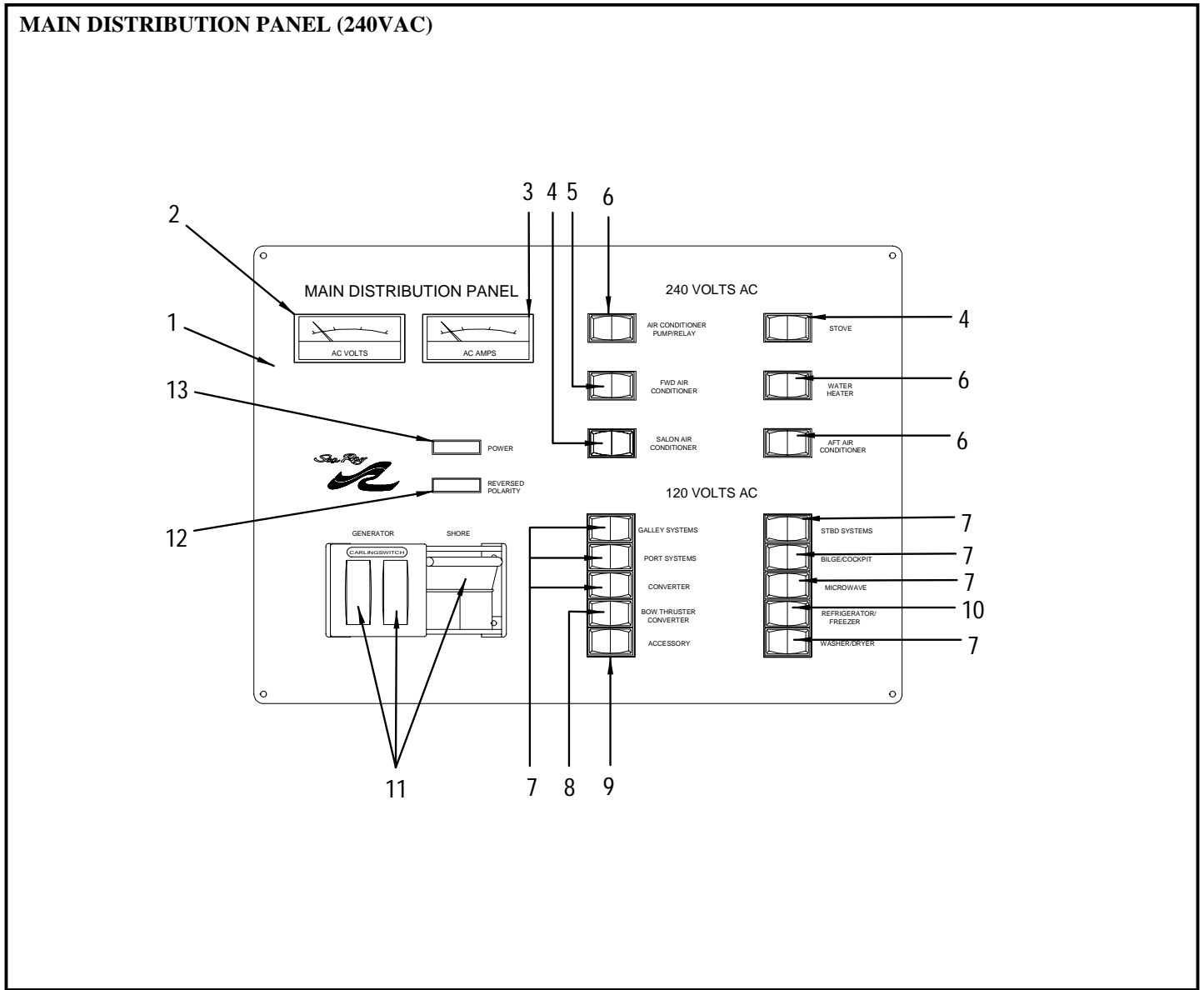
894774	LIGHT, DAVID-EYEBALL GLD/TRIM RING CHR/FRST L
947796	BULB, REPL FOR TEBE/CHARLY BOY/SAMPEI/DAVID
181115	ANTENNA PLUG, SMITH

## NOT SHOWN ELECTRICAL (continued)

300368	TELEPHONE, ALMOND
1163070	SPEAKER, CLARION INT 6.5" BLK SRR1622
893255	INLET, IDEA-SERIES PHONE GRY
952010	FRAME, IDEA-SERIES 1-GANG SUPPORT W/RIBS
894642	LIGHT, STEP SS (BIMINI)
894659	BULB, STEP LIGHT 12V/5WATT (BIMINI)
935882	LIGHT, JAMAICA BRS 12V/20W
1118322	HARNES, 450EB-98 SALON CEILING LIGHTS

## NOT SHOWN

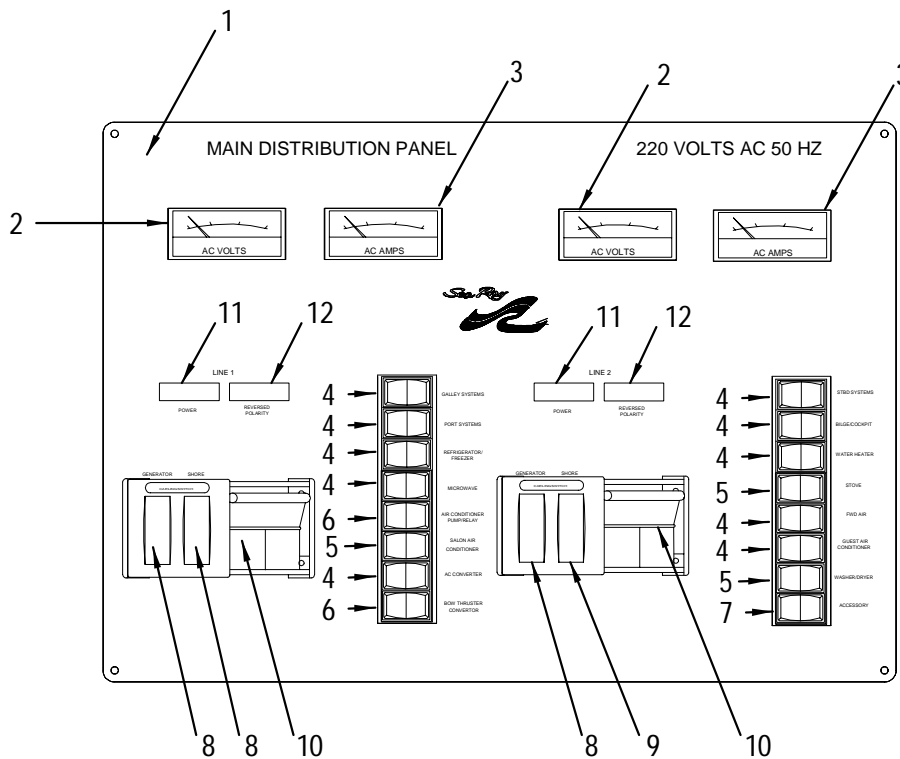
1122076	THRESHOLD, SS 450EB-98 SALON ENTRYWAY
129247	BAR, ALUM FLAT 1/8"X 2"X 12"
1365238	PANEL, PLEX 450EB/480DB-00 FWD DASH SHROUD
137349	ACCESS PLATE, PLAS CVR 5" WHT
174110	HINGE, AL CONT 1 1/16"X 72" BLANK BLK
334672	BUMPER, RECESSED WHT ROUND
174599	LIFT HANDLE, HATCH LIFT BOLT 1/4"X 4" SHANK
390849	CATCH, GRABBER LATCH W/10LB HOLD BLK PLAS
186239	BRACKET, ALUM 1.5"X 1.5"X 3"
558031	BUMPER, CLEAR SMALL ROUND
663708	BUMPER, CLEAR .020" THICK
800888	HINGE, SS CONT 2"X 72" (.188 CURL WIDTH)
853416	J-MOLD, ALUM 1/4"X 16" GOLD
623819	HALON SYS, ENG INTERRUPT/RESTART 12V 5-CKT



**MAIN DISTRIBUTION PANEL (240VAC)**

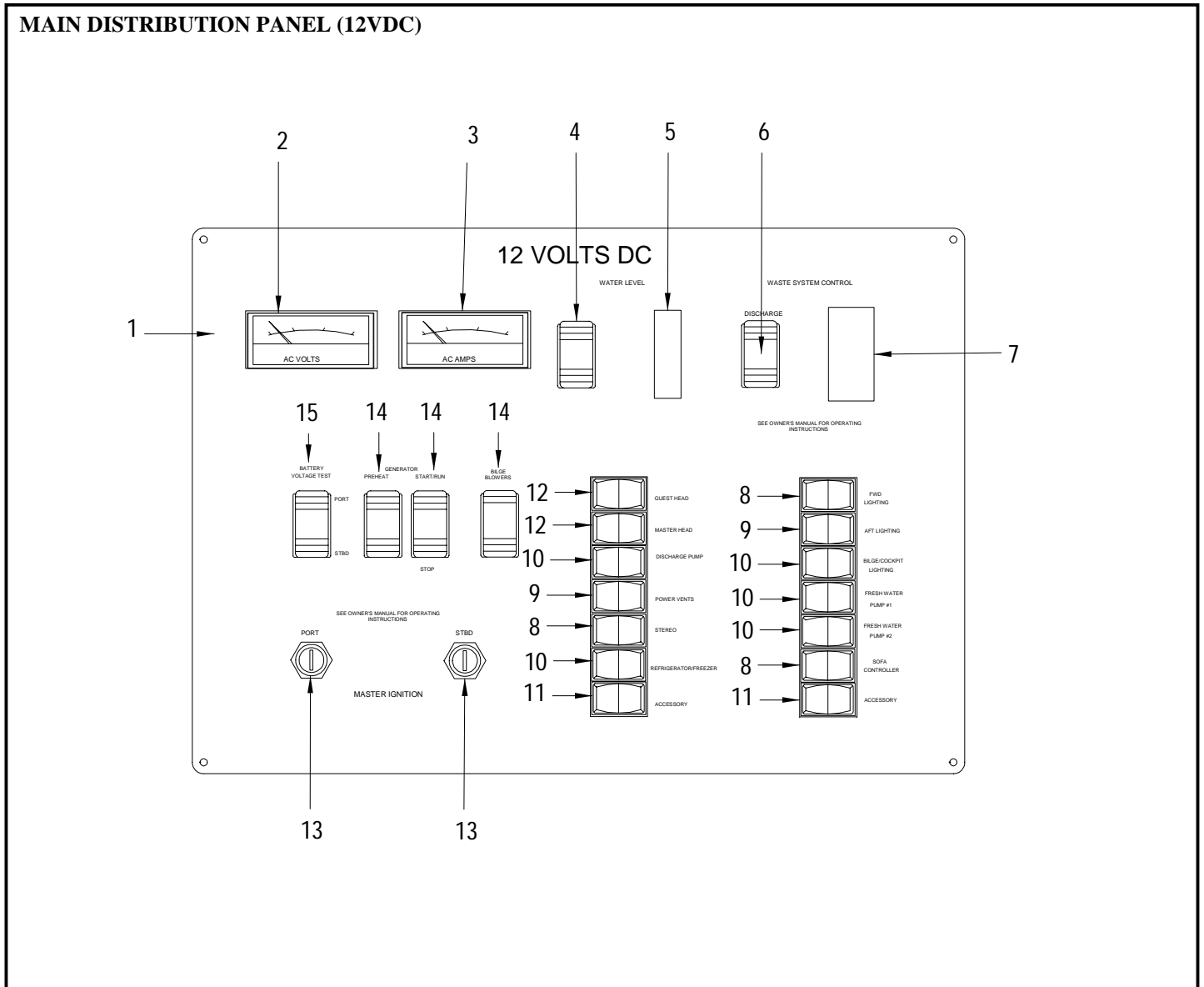
- 1 974378 PANEL, 480DB-98 MDP 240VAC
- 1142405 PANEL, BLANK:480DB-98 MDP 240VAC
- 2 468207 GAUGE, VOLTMETER AC 0-300 ANALOG WINDOW MOUNT
- 3 491936 GAUGE, AMMETER AC 0-50 ANALOG WINDOW MOUNT
- 4 381608 BRKR/ROCK, 2-POLE AC/DC HORZ 20A WHT
- 5 366567 BRKR/ROCK, 2-POLE AC/DC HORZ 5A WHT
- 6 366013 BRKR/ROCK, 2-POLE AC/DC HORZ 10A WHT
- 7 331991 BRKR/ROCK, SGL-POLE AC/DC HORZ 20A WHT
- 8 332593 BRKR/ROCK, SGL-POLE AC/DC HORZ 10A WHT
- 9 986216 PLUG, REFER TO MRP #0432872
- 10 332031 BRKR/ROCK, SGL-POLE AC/DC HORZ 15A WHT
- 11 582486 BRKR/TOGGLE, 3-POLE AC MED DELAY 50A
- 986224 SLIDE ASSY, SLIDE BAR MDP PNL 6-POLE
- 12 557611 LIGHT, POLARITY RED 125V
- 13 557603 LIGHT, POLARITY GRN 220V

**MAIN DISTRIBUTION PANEL (220VAC 50HZ)**



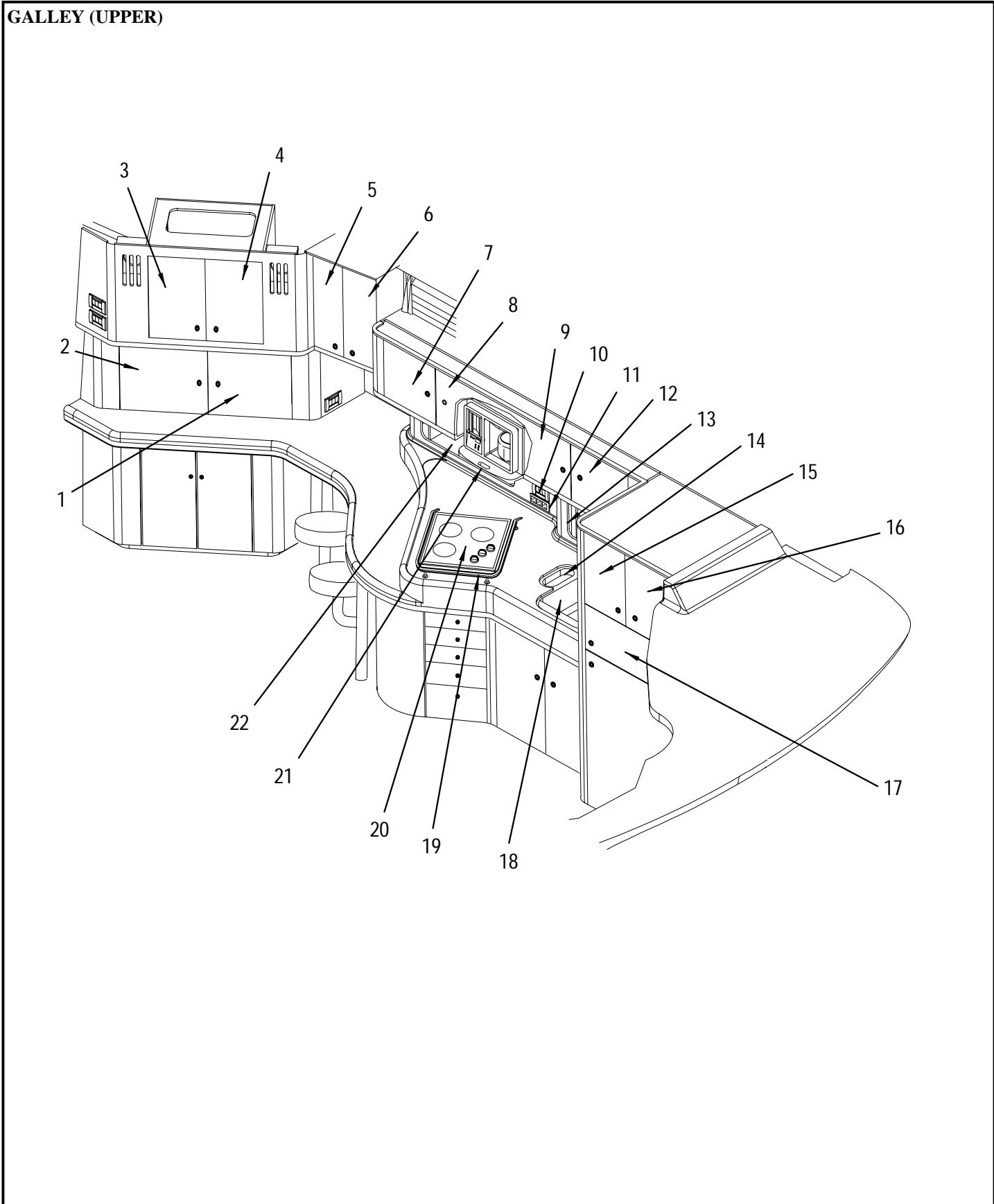
**MAIN DISTRIBUTION PANEL (220VAC 50HZ)**

- 1 979930 PANEL, 480DB-98 MAIN DIST 220VAC 50HZ
- 1316751 PANEL, BLANK:480DB-98 MDP 220VAC/50HZ
- 2 468207 GAUGE, VOLTMETER AC 0-300 ANALOG WINDOW MOUNT
- 3 491936 GAUGE, AMMETER AC 0-50 ANALOG WINDOW MOUNT
- 4 352013 BRKR/ROCK, SGL-POLE AC/DC HORZ 10A RED
- 5 331991 BRKR/ROCK, SGL-POLE AC/DC HORZ 20A WHT
- 6 353326 BRKR/ROCK, SGL-POLE AC/DC HORZ 5A WHT
- 7 762922 PLUG, BRKR/ROCK BLK
- 8 582445 BRKR/TOGGLE, 2-POLE AC MED DELAY 35A
- 9 851295 BRKR/TOGGLE, 2-POLE AC MED DELAY 20A (10-32)
- 10 986224 SLIDE ASSY, SLIDE BAR MDP PNL 6-POLE
- 11 557603 LIGHT, POLARITY GRN 220V
- 12 557629 LIGHT, POLARITY RED 220V



**MAIN DISTRIBUTION PANEL (12VDC)**

- 1 1276054 PANEL, 450EB/460DA/480DB-00 DC DIST
- 2 468165 GAUGE, VOLTMETER DC 8-16 ANALOG WINDOW MOUNT
- 3 468124 GAUGE, AMMETER DC 0-50 ANALOG WINDOW MOUNT
- 4 679332 BODY, ROCK SW SPST MOM
- 681486 ACTUATOR, ROCK BLK W/O LENS ACCY
- 5 806901 INDICATOR, WATER LEVEL 12V
- 6 648097 BODY, ROCK SW SPST BLK 12V INCAND
- 679324 ACTUATOR, ROCK BLK W/BLUE LENS ACCY
- 7 893800 PANEL, WASTE LEVEL INDICATOR 12V
- 8 355081 BRKR/ROCK, SGL-POLE AC/DC HORZ 25A RED
- 9 352112 BRKR/ROCK, SGL-POLE AC/DC HORZ 20A RED
- 10 352062 BRKR/ROCK, SGL-POLE AC/DC HORZ 15A RED
- 11 432872 PLUG, BRKR/ROCK
- 12 352013 BRKR/ROCK, SGL-POLE AC/DC HORZ 10A RED
- 13 719880 SWITCH, IGN 2-POS ON-OFF
- 14 799304 BODY, ROCK SW SPST (MOM) BLK W/IND INC LAMP
- 679324 ACTUATOR, ROCK BLK W/BLUE LENS ACCY
- 15 719849 BODY, ROCK SW SPDT ON-(MOM ON)
- 681486 ACTUATOR, ROCK BLK W/O LENS ACCY





**GALLEY (UPPER)**

- 1 1379411 450EB 00, DOOR, CAB MDP RH AFT SALON HIN#
- 1379429 450EB 00, DOOR, CAB MDP RH AFT SALON VTCR HI#
- 2 1379437 450EB 00, DOOR, CAB MDP LH AFT SALON HIN#
- 1379445 450EB 00, DOOR, CAB MDP LH AFT SALON VTCR HI#
- 3 1379379 450EB 00, DOOR, CAB TV UPR LH SALON HIN#
- 1379387 450EB 00, DOOR, CAB TV UPR LH SALON VTCR HIN#
- 4 1379395 450EB 00, DOOR, CAB TV UPR RH SALON HIN#
- 1379403 450EB 00, DOOR, CAB TV UPR RH SALON VTCR HIN#
- 5 1379296 450EB 00, DOOR, CAB UPR AFT LH GALLEY HIN#
- 1379304 450EB 00, DOOR, CAB UPR CNR AFT LH GAL VTR H#
- 6 1384445 450EB 00, DOOR, CAB UPR CNR RH GAL HN#
- 1384452 450EB 00, DOOR, CAB UPR CNR RH GAL VTCR HN#
- 7 1379452 450EB 00, DOOR, CAB UPR AFT GALLEY HIN#
- 1379460 450EB 00, DOOR, CAB UPR AFT GALLEY VTCR HI#
- 145078 COVER PLATE, SGL DUPLEX RECEPT BRN
- 8 1379478 450EB 00, DOOR, CAB UPR CTR AFT GALLEY HIN#
- 1379486 450EB 00, DOOR, CAB UPR CTR AFT GAL VTCR HI#
- 1082429 SLIDE ASSY, DRAWER SLIDE 10" KNAPP/VOGT
- 145094 RECEPTACLE, DUPLEX BRN 15A
- 180125 COVER PLATE, MTL HANDY BOX
- 180463 BOX, RECEPTACLE HANDY DUPLEX METAL
- 866418 COFFEEMAKER, SPACEMAKER WHT
- 868380 LABEL, WARNING TURN OFF COFFEE MAKER
- 956797 CATCH, Y-TYPE WHT PLAS (ROTARY)
- 9 1379494 450EB 00, DOOR, CAB UPR CTR FWD GALLEY HIN#
- 1379502 450EB 00, DOOR, CAB UPR CTR FWD GAL VTCR HI#
- 10 893230 SWITCH, IDEA-SERIES SPST GREY
- 627737 BOX, RECEPTACLE/SWITCH PVC 1-GANG DEEP
- 813915 FUSE, FERRULE TYPE AGC 7.5A
- 893289 FRAME, IDEA-SERIES 3-GANG SUPPORT FRAME GREY
- 893297 COVER PLATE, IDEA-SERIES 3-GANG GOLD
- 948208 FUSE HOLDER, FERRULE TYPE VIMAR
- 11 893222 RECEPTACLE, IDEA-SERIES SGL GRY
- 627737 BOX, RECEPTACLE/SWITCH PVC 1-GANG DEEP
- 893289 FRAME, IDEA-SERIES 3-GANG SUPPORT FRAME GREY
- 893297 COVER PLATE, IDEA-SERIES 3-GANG GOLD
- 12 1379510 450EB 00, DOOR, CAB UPR FWD GALLEY HIN#
- 1379528 450EB 00, DOOR, CAB UPR FWD GALLEY VTCR HI#
- 13 1379536 450EB 00, DOOR, CAB FWD MID LH GALLEY HIN#
- 1379544 450EB 00, DOOR, CAB FWD MID LH GAL VTCR HI#
- 1379551 450EB 00, DOOR, CAB FWD MID RH GALLEY HIN#
- 1379569 450EB 00, DOOR, CAB FWD MID RH GAL VTRR HI#
- 14 862128 FLANGE, V/F TRASH CHUTE
- 1111152 COVER, CORIAN 460DA TRASH CHUTE AURORA
- 1165489 COVER, CORIAN 460DA-99 TRASH CHUTE SNDSTN
- 780205 BASKET, TRASH 11"X 14.5"X 18" ALMOND
- 15 1379577 450EB 00, DOOR, CAB MCRWAVE LH GALLEY HIN#
- 1379585 450EB 00, DOOR, CAB MCRWAVE LH GAL VTCR HI#
- 16 1379593 450EB 00, DOOR, CAB MCRWAVE RH GALLEY HIN#
- 1379601 450EB 00, DOOR, CAB M/W RH GAL VTCR HN#
- 1355619 MICROWAVE, SHARP 0.9CF CONVECTION 120/60 BLK
- 145094 RECEPTACLE, DUPLEX BRN 15A
- 180125 COVER PLATE, MTL HANDY BOX
- 180463 BOX, RECEPTACLE HANDY DUPLEX METAL
- 898569 SLIDE ASSY, PIVOT DOOR 12" (KNAPP/VOGT)
- 916866 MICROWAVE, ELECTROLUX 0.8CF 220V
- 17 1379619 450EB 00, DOOR, CAB REFRIG UPR GALLEY HIN#
- 1379627 450EB 00, DOOR, CAB REFRIG UPR GAL VTCR HI#
- 18 1111103 COVER, CORIAN 450EB-98 GLY SINK AURORA
- 1114735 COVER, CORIAN 450EB-99 GLY SINK SNDSTN
- 19 958082 RAIL, STOVE GUARD 370AC/480DB
- 20 867804 STOVE, ELEC 3-BURN BLK BEVELED GLASS 230V
- 145094 RECEPTACLE, DUPLEX BRN 15A
- 180125 COVER PLATE, MTL HANDY BOX
- 180463 BOX, RECEPTACLE HANDY DUPLEX METAL
- 21 1379874 450EB 00, DOOR, CAB AFT MID RH GALLEY HIN#
- 1379882 450EB 00, DOOR, CAB AFT MID RH GAL VTCR HI#
- 22 1379858 450EB 00, DOOR, CAB AFT MID LH GALLEY HIN#
- 1379866 450EB 00, DOOR, CAB AFT MID LH GAL VTCR HI#

**DOOR/DRAWER HARDWARE (continued)**

- 945238 PULL, PUSH-BUTTON POL SOLID BRASS
- 945246 PULL, ROSETTE POL SOLID BRASS 19MM

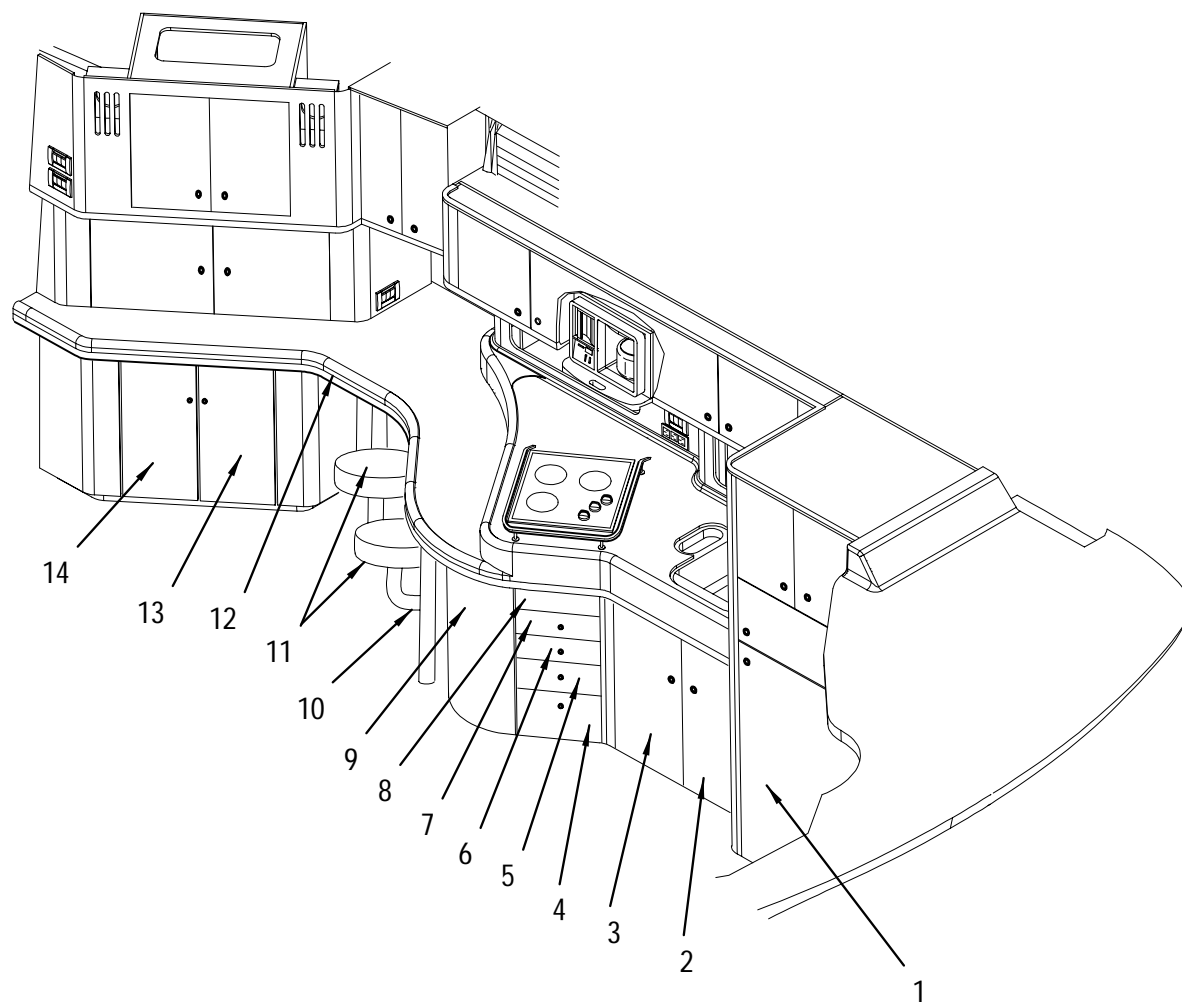
**NOT SHOWN**

- 1082429 SLIDE ASSY, DRAWER SLIDE 10" KNAPP/VOGT
- 1111509 TRACK, PLAS 8' WHT
- 1111517 GLIDE, PLAS WHT
- 1111525 PANEL, PLAS 60"X 16.5"
- 124024 HOSE, VENT/BLOWER 3" EX HVY DTY
- 129676 BLOWER, BILGE 3" FACE MNT #5412
- 135046 LABEL, DANGER UNPLUG SHORE POWER
- 137356 VENT, POWER VENT 3" BLK
- 172783 ADAPTER, HOSE FLANGE 3"
- 180471 BOX, RECEPTACLE STD SYL PHENOLIC
- 184630 SPLITTER, TV/FM 2-WAY HYBRID
- 184648 CONN, COUPLER TYPE PL-258
- 184655 CONN, PLUG TYPE PL-259 W/CTR PIN
- 184713 CABLE, COAXIAL RG-58/U
- 186221 BRACKET, ALUM 1.5"X 1.5"X 1.5"SUPPORT
- 186239 BRACKET, ALUM 1.5"X 1.5"X 3"
- 390849 CATCH, GRABBER LATCH W/10LB HOLD BLK PLAS
- 739573 CONN, COAX RF REDUCER (UG-175/U)
- 791442 CABLE, COAXIAL ASSY 30' RG6
- 791459 CABLE, COAXIAL RG6 1000'
- 893263 SWITCH, BLANK IDEA-SERIES GREY
- 931329 TRANSFORMER, 120-12VAC 50VA CBX
- 931337 TRANSFORMER, 220-12VAC 50VA CBX
- 937656 LABEL, 7/16"X 7/8" GALLEY
- 948968 A/C COMP, HOSE RING 3" PLAS ROUND

**DOOR/DRAWER HARDWARE**

- 1123165 LATCH, 12MM BRASS SHAFT EXTENSION
- 119255 DRAWER SLIDE, PLAS 20"
- 187591 PLATE, DRAWER STOP PLATE 1/8"X2"X3"ALUM
- 521526 HINGE, CONCEALED FULL OVERLAY W/100 DEG ANGLE
- 525667 HINGE, CONCEALED FULL OVERLAY MT PLATE ONLY
- 558031 BUMPER, CLEAR SMALL ROUND
- 761445 CATCH, RIM-LOCK STRIKE PLATE
- 772418 CATCH, RIM-LOCK WHT
- 839399 HINGE, SELF CLOSING BLUM SCREW-ON

GALLEY (LOWER)



**GALLEY (LOWER)**

**NOT SHOWN (continued)**

- 1 1379635 450EB 00, DOOR, CAB REFRIG LWR GALLEY HIN#
- 1379643 450EB 00, DOOR, CAB REFRIG LWR GAL VTCR HI#
- 1127141 BRACKET, 450DA-98 REFRIGERATOR
- 772400 BRACKET, REFRIG SWING/HOLD
- 789610 REFRIGERATOR, 6.3 CF CFC FREE AC/DC 110V
- 789636 REFRIGERATOR, 6.3 CF CFC FREE 220V
- 2 1379650 450EB 00, DOOR, STRG SINK BASE RH GALLEY HN#
- 1379668 450EB 00, DOOR, STRG SNK BASE RH GAL VTCR HI#
- 1118330 HOLDER, HDPE 450EB-98 GALLEY BTL 4-HOLE W/STN
- 777102 TRAY, "REV-A-SHELF" CUTLERY TRAY 12"
- 3 1379676 450EB 00, DOOR, STRG SINK BASE LH GALLEY HI#
- 1379684 450EB 00, DOOR, STRG SNK BASE LH GAL VTCR HI#
- 4 1379692 450EB 00, DRAWER FACE, BTM GALLEY HIN#
- 1379700 450EB 00, DRAWER FACE, BTM GALLEY VTCR HIN#
- 563148 DRAWER, PLAS 12"X 16"X 5.5"
- 5 1379718 450EB 00, DRAWER FACE, MID LWR GALLEY HI#
- 1379726 450EB 00, DRAWER FACE, MID LWR GAL VTCR HI#
- 563148 DRAWER, PLAS 12"X 16"X 5.5"
- 6 1379734 450EB 00, DRAWER FACE, MID UPR GALLEY HIN#
- 1379742 450EB 00, DRAWER FACE, MID UPR GAL VTCR HI#
- 118968 DRAWER, PLAS 12"X 16"X 3.3"
- 7 1379759 450EB 00, DRAWER FACE, TOP GALLEY HIN#
- 1379767 450EB 00, DRAWER FACE, TOP GALLEY VTCR HIN#
- 118968 DRAWER, PLAS 12"X 16"X 3.3"
- 8 1379775 450EB 00, DRAWER FACE, FALSE GALLEY HIN#
- 1379783 450EB 00, DRAWER FACE, FALSE GALLEY VTCR HI#
- 9 1379791 450EB 00, DOOR, BASE RADIUS GALLEY HI#
- 1379809 450EB 00, DOOR, BASE RADIUS GALLEY VTCR HI#
- 10 1379817 450EB 00, DOOR, BASE RH AFT GALLEY HIN#
- 1379825 450EB 00, DOOR, BASE RH AFT GALLEY VTCR HIN#
- 1379833 450EB 00, DOOR, BASE LH AFT GALLEY HIN#
- 1379841 450EB 00, DOOR, BASE LH AFT GALLEY VTCR HIN#
- 180125 COVER PLATE, MTL HANDY BOX
- 180463 BOX, RECEPTACLE HANDY DUPLEX METAL
- 258368 RECEPTACLE, GFI DUPLEX WHT 15A
- 11 1115195 STOOL, SWINGING VANITY W/SUPPT
- 12 1123447 NOSING, ALUM 8" ROUNDED GOLD (ROLDOR)
- 13 1379338 450EB 00, DOOR, CAB AFT LWR RH SALON HIN#
- 1379346 450EB 00, DOOR, CAB AFT LWR RH SALON VTCR HI#
- 14 1379353 450EB 00, DOOR, CAB AFT LWR LH SALON HIN#
- 1379361 450EB 00, DOOR, CAB AFT LWR LH SALON VTCR HI#

- 180471 BOX, RECEPTACLE STD SYL PHENOLIC
- 186221 BRACKET, ALUM 1.5"X 1.5"X 1.5"SUPPORT
- 186239 BRACKET, ALUM 1.5"X 1.5"X 3"
- 390849 CATCH, GRABBER LATCH W/10LB HOLD BLK PLAS
- 931329 TRANSFORMER, 120-12VAC 50VA CBX
- 937656 LABEL, 7/16"X 7/8" GALLEY

**DOOR/DRAWER HARDWARE**

- 1123165 LATCH, 12MM BRASS SHAFT EXTENSION
- 119255 DRAWER SLIDE, PLAS 20"
- 187591 PLATE, DRAWER STOP PLATE 1/8"X2"X3"ALUM
- 521526 HINGE, CONCEALED FULL OVERLAY W/100 DEG ANGLE
- 525667 HINGE, CONCEALED FULL OVERLAY MT PLATE ONLY
- 558031 BUMPER, CLEAR SMALL ROUND
- 761445 CATCH, RIM-LOCK STRIKE PLATE
- 772418 CATCH, RIM-LOCK WHT
- 839399 HINGE, SELF CLOSING BLUM SCREW-ON
- 945238 PULL, PUSH-BUTTON POL SOLID BRASS
- 945246 PULL, ROSETTE POL SOLID BRASS 19MM

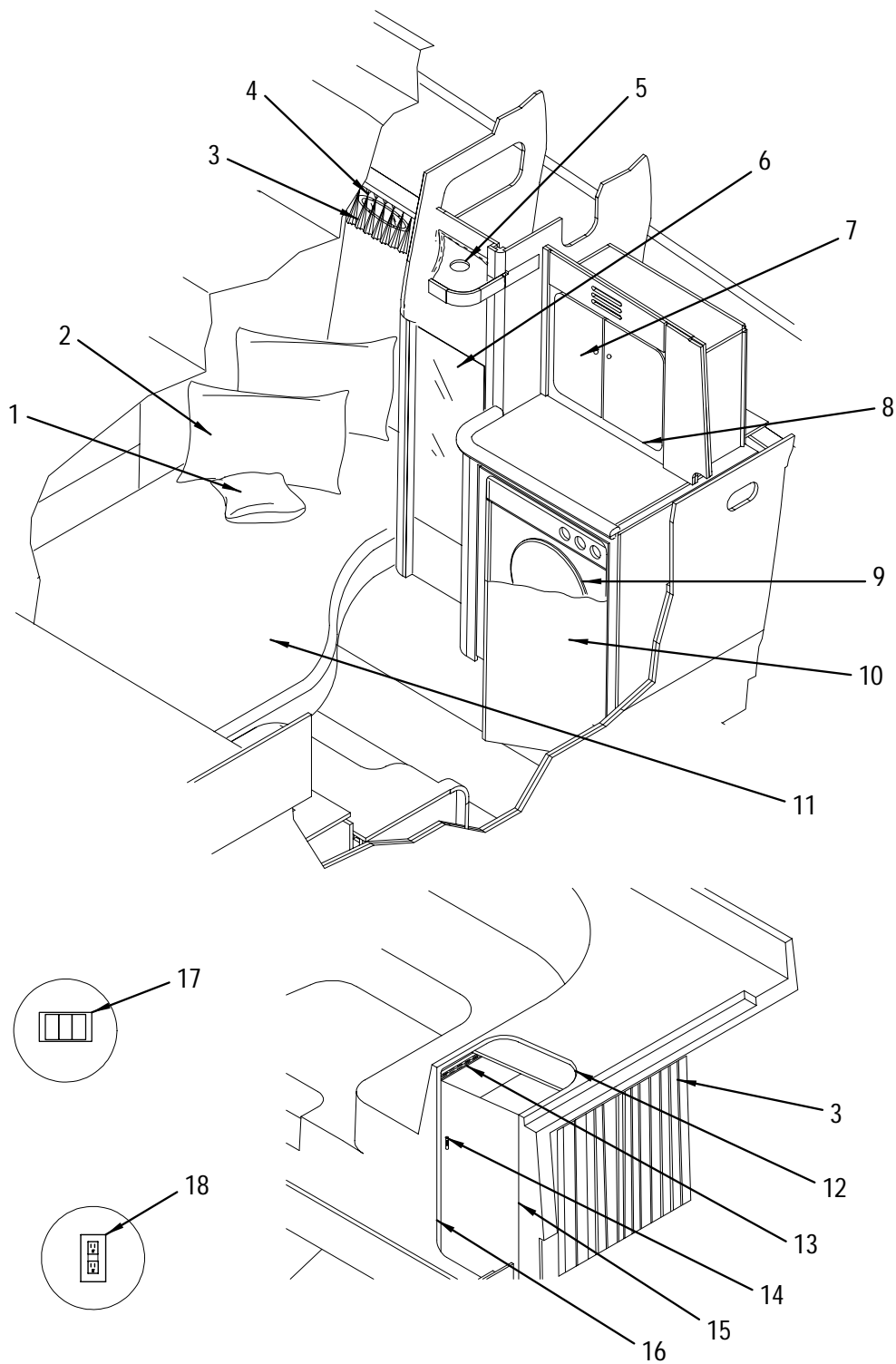
**INTERIOR VACUUM SYSTEM**

- 123513 CLAMP, HOSE #32 1 9/16"-2.5" SS
- 1314376 VACUUM, CENTRAL SYS 110V W/INST KIT #34
- 1314384 VACUUM, CENTRAL SYS 220V W/INST KIT #34
- 1334515 VACUUM, ELBOW 90DEG FM X FM 2" WHT
- 261354 CLAMP, LOOM VINYL DIP #38 2 3/8"
- 770354 VACUUM, HOSE 20' W/ATTACHMENTS
- 770362 VACUUM, INLET BISQUE W/WIRES
- 770370 VACUUM, WALL MTG BRKT/ADAPTER
- 770388 VACUUM, TEE 90DEG
- 774679 VACUUM, HOSE 40' VINYL GREY 2"ID FLEX

**NOT SHOWN**

- 1082429 SLIDE ASSY, DRAWER SLIDE 10" KNAPP/VOGT
- 1111509 TRACK, PLAS 8" WHT
- 1111517 GLIDE, PLAS WHT
- 1111525 PANEL, PLAS 60"X 16.5"
- 124024 HOSE, VENT/BLOWER 3" EX HVY DTY
- 129676 BLOWER, BILGE 3" FACE MNT #5412
- 135046 LABEL, DANGER UNPLUG SHORE POWER
- 137356 VENT, POWER VENT 3" BLK
- 140665 GROUND BUSS, BRASS
- 172783 ADAPTER, HOSE FLANGE 3"
- 179242 BUSS BAR, 6-GANG TERMINAL STRIP

AFT STATEROOM



## AFT STATEROOM

1	1277185	PILLOW PKG, 2000 SPYACHT PKG C THIRD STRM (2)
	1277169	PILLOW PKG, 2000 SPYACHT PKG A THIRD STRM (2)
	1277177	PILLOW PKG, 2000 SPYACHT PKG B THIRD STRM (2)
	1277193	PILLOW PKG, 2000 SPYACHT PKG D THIRD STRM (2)
2	651257	PILLOW, QUEEN SIZE
	1380872	450EB 00,PILLOW CASE,AFTSTRM
	1398429	450EB 00, PILLOW SHAM, AFT STRM HIN#
3	1276740	CURTAIN, 450EB-00 PKGC-SUNNYVALE TAN
	1276419	CURTAIN, 450EB-00 PKGA-MERRYWICK RAFFIA
	1276625	CURTAIN, 450EB-00 PKGB-LEO'N
	1278928	CURTAIN, 450EB-00 PKGD-SHANTUNG SH LYNX
4	132183	TRACK, ALUM CURT TRK 0.275"X 0.688" TAB TYPE
5	894774	LIGHT, DAVID-EYEBALL GLD/TRIM RING CHR/FRST L
	947796	BULB, REPL FOR TEBE/CHARLY BOY/SAMPEI/DAVID
6	1379890	450EB 00, DOOR, H-LCKR AFT STRM HIN#
	1379908	450EB 00, DOOR, H-LCKR AFT STRM VTCR HI#
	521526	HINGE, CONCEALED FULL OVERLAY W/100 DEG ANGLE
	525667	HINGE, CONCEALED FULL OVERLAY MT PLATE ONLY
	632570	CATCH, GRABBER LATCH W/ 5LB HOLD BLK PLAS
7	1379916	450EB 00, DOOR, STRG CAB LH AFT STRM HIN#
	1379924	450EB 00, DOOR, STRG CAB LH A-STRM VTCR HIN#
8	1379932	450EB 00, DOOR, STRG CAB RH AFT STRM HIN#
	1379940	450EB 00, DOOR, STRG CAB RH AFT STRM VTCR HI#
	521526	HINGE, CONCEALED FULL OVERLAY W/100 DEG ANGLE
	525667	HINGE, CONCEALED FULL OVERLAY MT PLATE ONLY
	761445	CATCH, RIM-LOCK STRIKE PLATE
	772418	CATCH, RIM-LOCK WHT
	945238	PULL, PUSH-BUTTON POL SOLID BRASS
	945246	PULL, ROSETTE POL SOLID BRASS 19MM
9	959528	WASHER/DRYER, COMBO SPLENDIDE 2000 VENTED
	124016	HOSE, VENT/BLOWER 4" EX HVY DTY
	145078	COVER PLATE, SGL DUPLEX RECEP BRN
	145094	RECEPTACLE, DUPLEX BRN 15A
	180463	BOX, RECEPTACLE HANDY DUPLEX METAL
10	1379957	450EB 00, DOOR, WASHER/DRYER HIN#
	1379965	450EB 00, DOOR, WASHER/DRYER VTCR HIN#
	1218536	LABEL, WARNING WASHER/DRYER
	124016	HOSE, VENT/BLOWER 4" EX HVY DTY
	761445	CATCH, RIM-LOCK STRIKE PLATE
	772418	CATCH, RIM-LOCK WHT
	898569	SLIDE ASSY, PIVOT DOOR 12" (KNAPP/VOGT)
	945238	PULL, PUSH-BUTTON POL SOLID BRASS
	945246	PULL, ROSETTE POL SOLID BRASS 19MM
11	1380823	450EB 00,MATT,CMLPT AFTSTRM
	1380831	450EB 00,BDSPRD,CMLPT AFTSTRM
	1009901	SHEETING, SHEET MATERIAL CREAM 96"
	1380849	450EB 00,SHEET,SET CMLPT AFTSTRM
	1380856	450EB 00,SHEET,FITTED AFTSTRM
	1380864	450EB 00,SHEET,FLAT AFTSTRM
	174557	LIFT RING, FLUSH CHR/ZINC 1.75" X 1 3/8"
	757849	FABRIC, MATTRESS TICKING CREAM 82"
12	129254	CHANNEL, ALUM SLIDE TRK 7/8"X 7/16"X 12'
	1124023	CHANNEL, PVC-U 1/8"X 7/8"X 3/4"X 130"
	653691	INSERT, DELRIN SLIDE W/MILLED SLOTS
13	1116771	BRACKET, GUIDE BOLT W/ROLLER
14	1260116	LATCH, DOOR W/LOCK CHR/BRS SWAN RH-IN
15	1379973	450EB 00, DOOR, ENTRYWAY AFT STRM HIN#
	1379981	450EB 00, DOOR, ENTRYWAY AFT STRM VTCR HIN#
	1132174	THRESHOLD, SS 450EB-98 AFT STRM
	265512	TRACK, ALUM RADIUS DOOR KIT 420DA MID STRM
	655795	TRUCK, DBL SIDE SHOWER DOOR
	800888	HINGE, SS CONT 2"X 72" (.188 CURL WIDTH)
16	516732	NOSING, ALUM 5/8"X 12' ROUNDED GOLD
17	893230	SWITCH, IDEA-SERIES SPST GREY
	627737	BOX, RECEPTACLE/SWITCH PVC 1-GANG DEEP
	893263	SWITCH, BLANK IDEA-SERIES GREY
	893289	FRAME, IDEA-SERIES 3-GANG SUPPORT FRAME GREY
	893297	COVER PLATE, IDEA-SERIES 3-GANG GOLD
18	893222	RECEPTACLE, IDEA-SERIES SGL GRY
	627737	BOX, RECEPTACLE/SWITCH PVC 1-GANG DEEP
	893263	SWITCH, BLANK IDEA-SERIES GREY
	893289	FRAME, IDEA-SERIES 3-GANG SUPPORT FRAME GREY
	893297	COVER PLATE, IDEA-SERIES 3-GANG GOLD

## BEDSPREAD AND PILLOW SHAMS (FABRIC)

1274117	FABRIC, SUNNYVALE TAN FLAT (INT. C)
1276179	FABRIC, SUNNYVALE TAN-RNDM QLT 12OZ/PC/B (INT. C)
1168384	FABRIC, MERRYWICK RAFFIA FLAT (INT. A)

## BEDSPREAD AND PILLOW SHAMS (FABRIC) (continued)

1261338	FABRIC, FESTIVAL SMKSCRN FLAT (INT. D)
1261551	FABRIC, LEO'N FLAT (INT. B)
1261809	FABRIC, FESTIVAL SMKSCRN-RNDM QLT 12OZ/PC/B (INT. D)
1261833	FABRIC, LEO'N-RNDM QLT 12OZ/PC/B (INT. B)
1276195	FABRIC, MERRYWICK RAFFIA-RNDM QLT 12OZ/PC/B (INT. A)

## CARPET RUNNER

1248251	CANVAS, 450EB-00 CR TST
---------	-------------------------

## HEADLINER/HULL LINER/WASHABLE SURFACE

1079797	VINYL, ALLANTE II CHAMPAGNE EXP FLAT (INT. A, B, C)
1091743	VINYL, ALLANTE II CHAMPAGNE EXP 1/4"F/B DOW (INT. A, B, C)
892075	VINYL, ALLANTE II SEA OYSTER EXP FLAT (INT. D)
986810	VINYL, ALLANTE II SEA OYSTER EXP 1/4"F/B DOW (INT. D)

## INTERIOR CARPET

1242312	CARPET, INT 44 OZ WHEATON #9191-B BT (INT. A, B, C)
1246198	CARPET, INT 44 OZ SNOW #9209-A BT (INT. D)

## INTERIOR STORAGE/BUNK TOPS

1128487	FABRIC, GEOMETRIC STRAW (NDLPNCH) W/BACK
---------	--

## MATTRESS MATERIAL

757849	FABRIC, MATTRESS TICKING CREAM 82"
--------	------------------------------------

## SHEETING MATERIAL

1009901	SHEETING, SHEET MATERIAL CREAM 96"
---------	------------------------------------

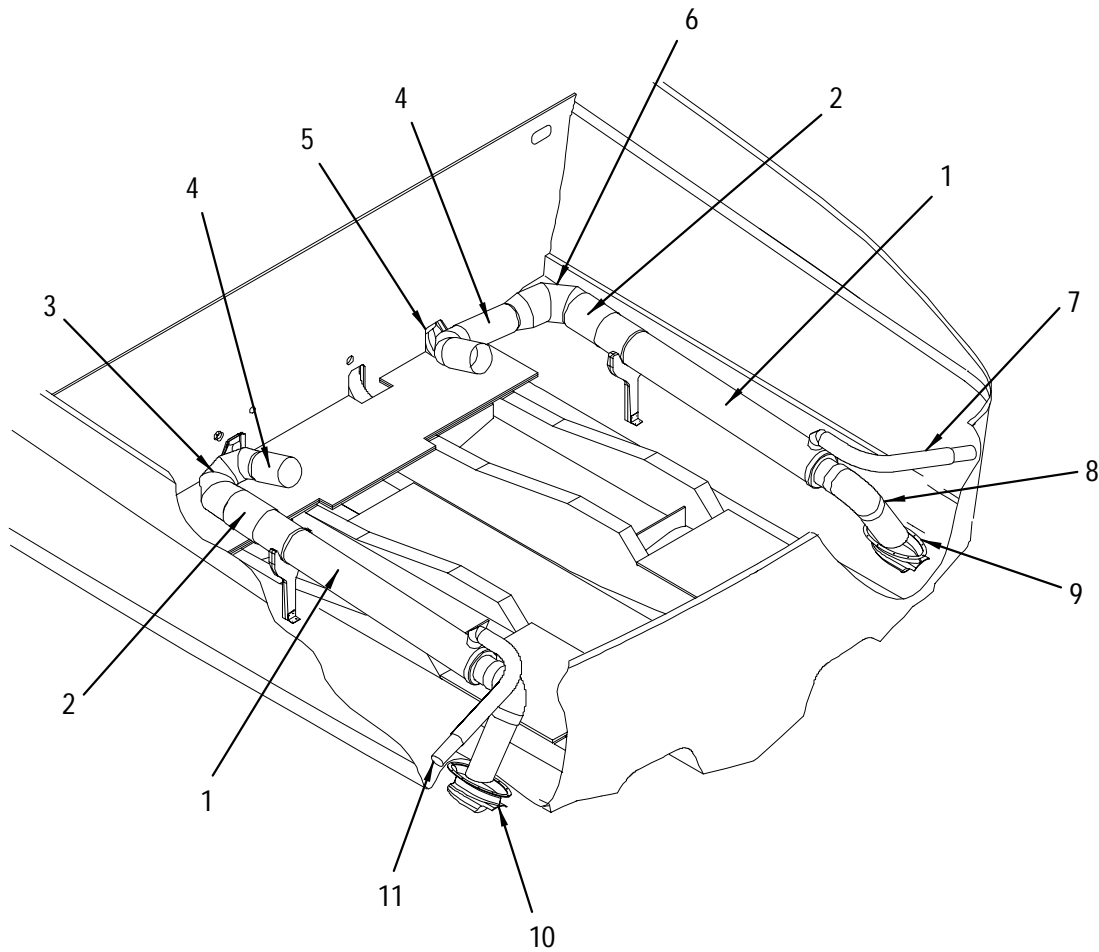
## SPEAKERS

931501	FABRIC, SPKR CLOTH CREPE SAND #17027 1/8"FB (INT. A, B, C)
1090430	FABRIC, SPKR CLOTH CREPE BUFF #18994 1/8"FB (INT. D)

## NOT SHOWN

186239	BRACKET, ALUM 1.5"X 1.5"X 3"
187591	PLATE, DRAWER STOP PLATE 1/8"X2"X3"ALUM
652347	HINGE, SS CONT 2"X 44.5" 290SFB HATCHES
948372	A/C COMP, GRILL 4" W/DA CLW

**BILGE (EXHAUST SYSTEM)**



**BILGE (EXHAUST SYSTEM)**

**NOT SHOWN (continued)**

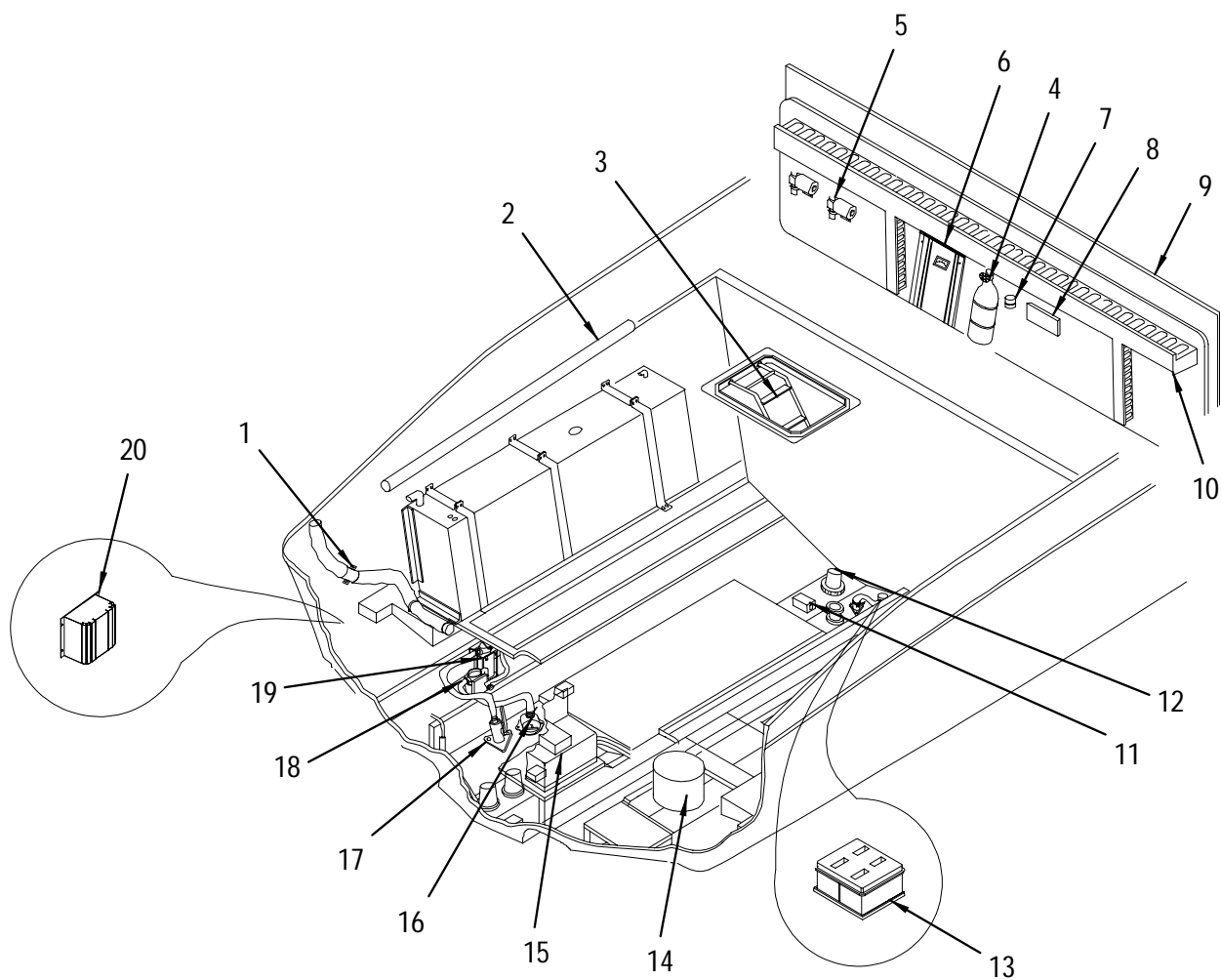
- 1 1089317 MUFFLER, 450EB-98 ENG EXH 3116/3126
- 1215078 MUFFLER, 450EB-99 ENG EXH CUMMINS
- 1283555 MUFFLER, 450EB-99 ENG EXH PORT W/BYPASS TUBE (CAT DSL)
- 1283563 MUFFLER, 450EB-99 ENG EXH STBD W/BYPASS INSRT (CAT DSL)
- 2 124131 HOSE, EXHAUST 8" SW
- 3 1090778 EXHAUST, EL SS 6"X 8"OUT HOSE-MOUNT
- 4 124123 HOSE, EXHAUST 6" SW
- 5 677641 EXHAUST, EL SS 6"X 90DEG CURVED HOSE-MOUNT
- 6 1089325 EXHAUST, EL 6"X 8" 3116/3126 450EB-98
- 7 832733 HOSE, EXHAUST 3" HW
- 8 828277 EXHAUST, EL 6"X 90DEG RBR HT W/T-BOLT CLAMPS
- 9 776872 TUBING, EXH GLASS 6"X 20"
- 10 1215581 EXHAUST, BRZ U/W EXH OUTLET DSL 99
- 11 1355460 TUBING, EXH GLASS 3"X 12"

- 1355452 TUBING, EXH GLASS 2"X 12"
- 846873 MUFFLER, 2"IN X 2"OUT W/SIDE INLET (DURALIFT) (GENERATOR EXHAUST)

**NOT SHOWN**

- 123539 CLAMP, HOSE #48 1 5/8"-3.5" SS
- 123562 CLAMP, HOSE #72 3 1/8"-5" SS
- 123596 CLAMP, HOSE #152 2 5/16"-10" SS
- 123513 CLAMP, HOSE #32 1 9/16"-2.5" SS (GENERATOR EXHAUST)
- 124172 HOSE, EXHAUST 2" HW (GENERATOR EXHAUST)

BILGE



**BILGE**

1	744581	BLOWER, BILGE 4" TURBO 4000 WATER RESISTANT
	123554	CLAMP, HOSE #64 2 5/8"-4.5" SS
	124016	HOSE, VENT/BLOWER 4" EX HVY DTY
2	124339	HOSE, CONDUIT/SPLIT 1.5" BLK
	124289	HOSE, CONDUIT/SPLIT 3/4" BLK
3	1119460	LADDER, BILGE 460DA/EB-99
4	196352	HALON SYS, AUTOMATIC 500CF (1301 HALON)
	935015	FIRE EXT SYS, FM200 500CF GAS/DSL-AUTO
5	1128172	PUMP, FRESH WATER SHURFLO 3.3GPM IMP
6	1039080	CONVERTER, 50AMP 120/240VAC 50/60HZ 12VDC
7	140814	SOLENOID, EMERG START (12V DSL)
8	232348	SYNCHRONIZER, GLENDENNING DSL ENG
9	770404	INSULATION, 2" ACOUSTICAL 4.5'X 6' ALUM
10	498253	COVER BASE, PLAS DUCT WIRING CVR 4"X 6' GREY
	498261	COVER BASE, PLAS DUCT WIRING 4"X 3"X 6'
11	678086	SWITCH, FLOAT SUREBAIL
12	125443	PUMP, BILGE 2000GPH
	123406	CLAMP, HOSE #12 1/2"-1.25" SS
	124578	THRU-HULL, PLAS 1 1/8" WHT
	466615	HOSE CUFF, 1" RH WHT
	555375	VALVE, CHECK WHALE 1"- 1.5"
13	877811	BATTERY, GROUP 27 DOUGLAS
	1216514	BOOT, BATTERY CABLE 4/0 BLK 1"
	1216522	BOOT, BATTERY CABLE 4/0 RED 1"
	130435	HOLDER, BATTERY GR27 BLK NYLON W/SS
	130781	CABLE, BATT RED #2AWG
	130799	CABLE, BATT BLK #2AWG
	136044	CABLE, BATT BLK #4/0AWG
	136051	CABLE, BATT RED #4/0AWG
	140509	BOOT, ENG STARTER RED
	883546	BATTERY, 8D-3 DOUGLAS
	904250	HOLDER, BATTERY MOLDED DUAL 8D BLK
	933143	HOLDER, HDPE 3-D BATT HOLD DOWN BRKT
	944702	CLIP, BATTERY HOLD DOWN SS
14	1115948	CBLMSTR KIT, 12V 75'L/PRO CORD W/REMOTE
15	1332980	GENERATOR, 8.0 BTDA DSL WSTRBK N/GAUGS W/CONN
	1010511	BRKR, SURF MNT THERMAL 50AMP MANUAL RESET
	124701	HOSE, WATER 1" EX HVY DTY
	1300110	HARNES, 450EB/460DA-00 GEN WSTRBK W/CONN
	183533	SWITCH, OIL PRESSURE SENDER
	188383	BRACKET, ANTI-SIPHON MOUNTING
	224105	SYPHON BREAK KIT, GEN EXH TEE FITTING 1"
	335109	TEE, BRASS STREET 1/8"FPT X 1/8"MPT X 1/8"FPT
16	843854	SEACOCK, BRZ 2"
	123513	CLAMP, HOSE #32 1 9/16"-2.5" SS
	196667	HOSE, GEN PURPOSE 1"
	261354	CLAMP, LOOM VINYL DIP #38 2 3/8"
	516617	PICK-UP, BRZ WATER INTAKE 2"
	869305	TAILPIECE, BRZ 2"MPT X 2"BARB
17	531368	SEACOCK, BRZ 1"
	123463	CLAMP, HOSE #16 3/4"-1.5" SS
	170357	ADAPTER, BRZ 1"MPT X 1"BARB STRAIGHT
	480491	HOSE, WATER INTAKE 2" HW
	640318	THRU-HULL, BRZ 1" W/O NUT
18	507749	STRAINER, BRZ WATER INTAKE 2"
	161554	STRAINER, WRENCH
	506931	ELBOW, RED BRASS 90DEG 2"MPT X 2"BARB
19	161521	STRAINER, BRZ WTR INTAKE 1"
	161554	STRAINER, WRENCH
	170381	ELBOW, BRZ 90DEG 1"MPT X 1"BARB
20	802082	GALVANIC ISOLATOR, ZINC SAVER II 50AMP

**LABELS**

1089242	LABEL, CAUTION: PRIOR TO TOWING VESSEL
134890	LABEL, FUEL WARNING NMMA - DSL
258509	LABEL, DISCHARGE OF OIL (LEXAN)
852624	LABEL, STAY CLEAR OF MOVING PARTS
914341	LABEL, CHECK BATTERY CELL FLUID LEVEL
921759	LABEL, DANGER STAY CLEAR OF MOVING PARTS
937540	LABEL, 1/2"X 1.5" SHOWER DRAIN
937557	LABEL, 1/2"X 1.5" VANITY SINK
937565	LABEL, 1/2"X 1.5" VANITY FLOOR
937573	LABEL, 1/2"X 1.5" GALLEY SINK
938423	LABEL, 1/2"X 1.5" A/C CONDENSATE
938431	LABEL, 1/2"X 1.5" DISCHARGE

**HOSE**

1058957	HOSE, WATER A/C WHT 5/8"
124123	HOSE, EXHAUST 6" SW

**HOSE (continued)**

124131	HOSE, EXHAUST 8" SW
124172	HOSE, EXHAUST 2" HW
124347	HOSE, PVC CLEAR 3/8"
124354	HOSE, PVC CLEAR 1/4"
196667	HOSE, GEN PURPOSE 1"
832733	HOSE, EXHAUST 3" HW

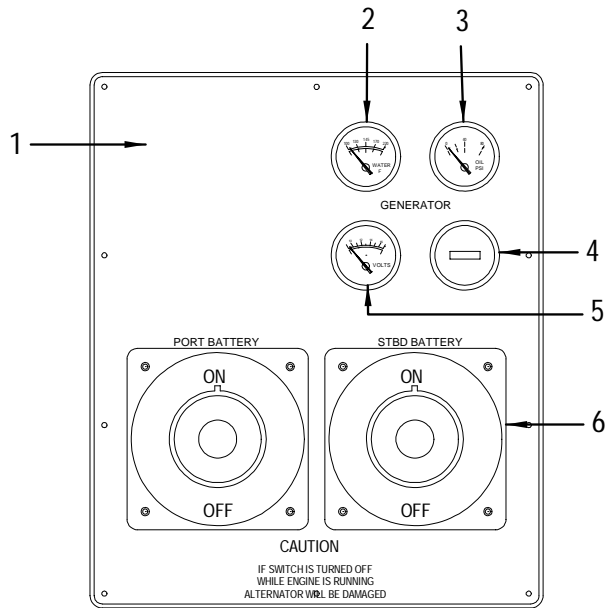
**NOT SHOWN**

1115823	SUPPORT, 450EB-98 AFT CKPT LINER
1115831	SUPPORT, 450EB-98 FWD CKPT LINER
1218700	RUBBER SHEET, VIBRATION PAD 1/2"X 39"X 66"
124271	HOSE, CONDUIT/SPLIT 1/2" BLK
1243252	PLATE, ALUM 3/8"X 3"X 15"
1300169	HARNES, 450EB-00 BILGE
1310580	PANEL, 450EB/460DA/480DB-00 BATT SWITCH A/F
1315233	BOLT, U SS 3"
160044	BOOT, TOGGLE SWITCH BOOT HEXSEAL
161356	GROUND PLATE, DYNA 1/2"X 3"X 12"
161778	BOTTLE, RECOVERY FRESH WATER COOLING
163048	INSULATION, 1" ACOUSTICAL W/VAPOR BARRIER
179580	BUSS BAR, COPPER 1/8"X 1/2"X 6" W/10-32 HOLES
179606	BUSS BAR, DELRON SPACER
183384	SWITCH, TOGGLE SPST CHROME
186999	LABEL, CAUTION BATTERY
187542	BRACKET, STRAINER 8"
187567	BRACKET, STRAINER 4.25"
395103	COVER PLATE, WATERPROOF RECEPTACLE GRY
417998	CLAMP, HOSE #04M 1/4"-5/8" SS MINI
464115	LANYARD, 6" W/TAB
517979	BOX, BREAKER PVC OPAQUE WATERPROOF (LEGRAND)
604801	BULB, DOME LIGHT 12V
622225	CAP, HOLE WHT 2.5"
661181	ADAPTER, NYLON 1/2"MPT X 1/4"BARB
661199	ADAPTER, NYLON FGH X 1/2"FPT
704486	MOLDING, FOAM RBR "D-SHAPE" 1.75" W/ADH
797316	TANK, BRACKET PVC 1/4"X 2"X 2"X 24"
822668	LIGHT, SGL DOME FLUSH MT PLAS WHT W/O SWITCH
843656	FLOORING, VINYL DIAMOND PLATE 4'X 75'
851535	PANEL, BLANK:420AC SHORE POWER MAIN BRKR
853218	BRKR/TOGGLE, 3-POLE AC MED DELAY 55A
865485	INSULATION, STAND-OFF 1.75"
894519	FITTING, STEEL 3/4"-16 STR THREAD X 1/4"FPT
944660	LATCH, DRAW FLEX SS/BLK "R" SERIES 130
958140	A/C COMP, HOSE RING 4" OBLONG

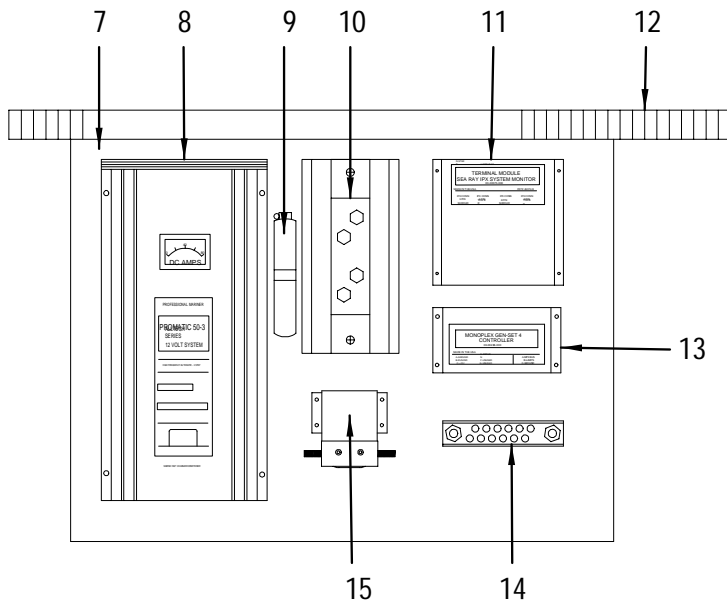


**BILGE (ELECTRICAL DISTRIBUTION PANELS)**

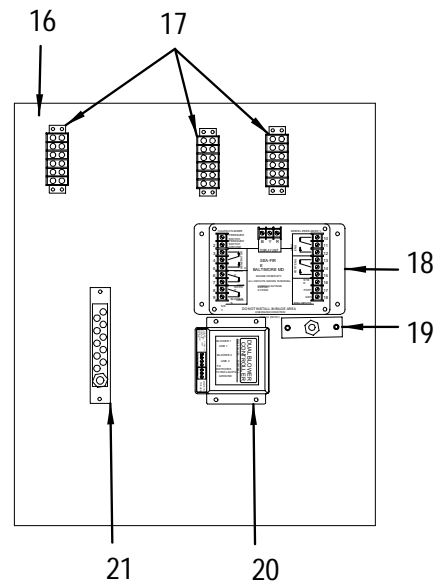
**BATTERY SWITCH PANEL**



**BILGE COMPONENT BOARD**



**MDP COMPONENT BOARD**



**BILGE (ELECTRICAL DISTRIBUTION PANELS)****BATTERY SWITCH PANEL**

- 1 1310580 PANEL, 450EB/460DA/480DB-00 BATT SWITCH A/F
- 2 912568 GAUGE, WATER TEMP 240 DEG 12V MLSS
- 3 912410 GAUGE, OIL PRESS 0-100 2" 12V MLSS
- 4 912402 GAUGE, HOUR 2" 12V MLSS
- 5 883397 GAUGE, VOLTMETER 10-16 MLSS
- 6 136150 SWITCH, BATTERY ON/OFF DSL W/DISC

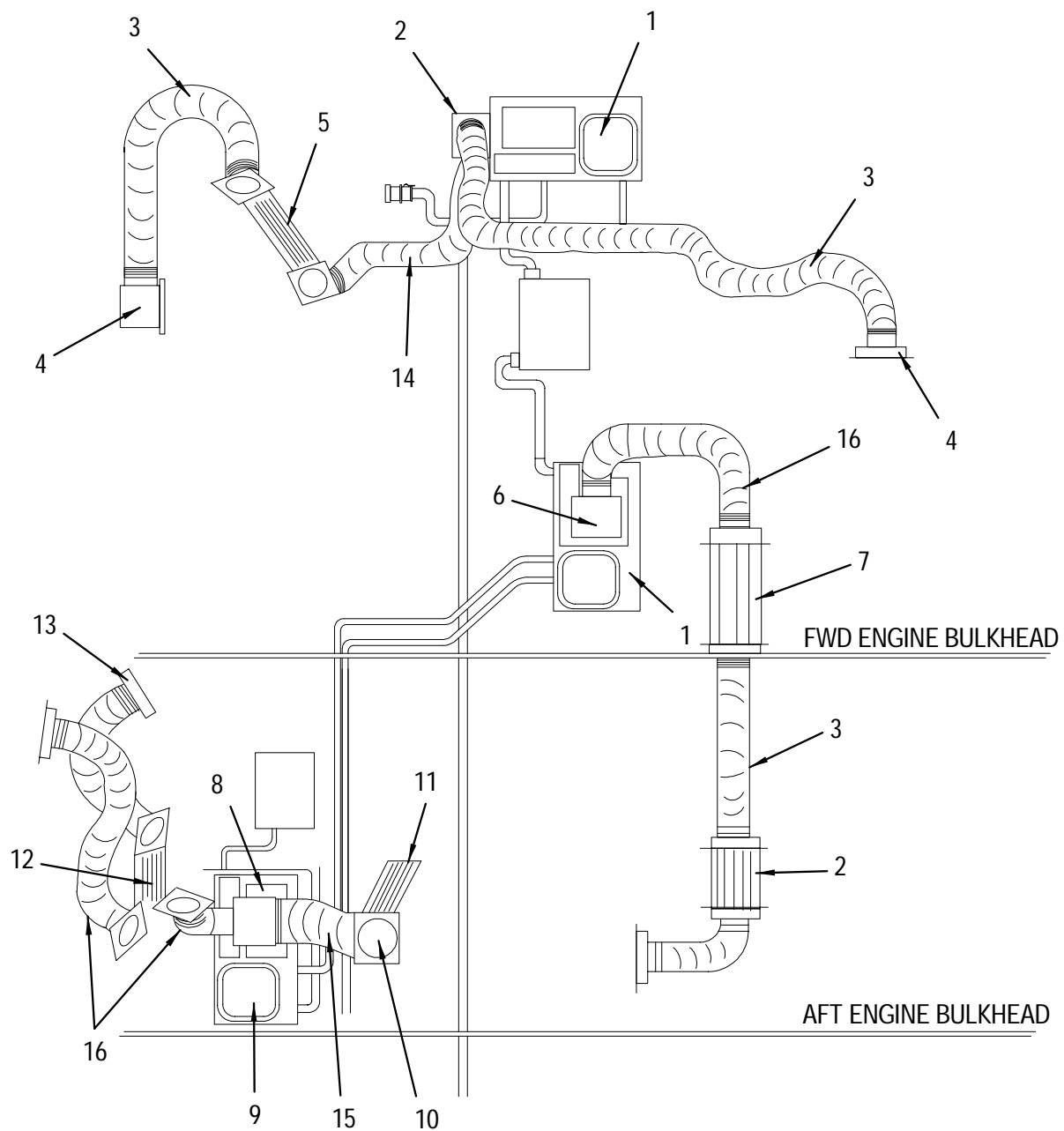
**BILGE COMPONENT BOARD**

- 7 1379999 450EB 00, PANEL, BILGE COMPONENT BOARD HIN#  
726893 PROBOARD, 1/2"X 4'X 8' GREY
- 8 1039080 CONVERTER, 50AMP 120/240VAC 50/60HZ 12VDC
- 9 196352 HALON SYS, AUTOMATIC 500CF (1301 HALON)  
935015 FIRE EXT SYS, FM200 500CF GAS/DSL-AUTO
- 10 802082 GALVANIC ISOLATOR, ZINC SAVER II 50AMP
- 11 984682 MODULE, SYS MON INTERFACE (LCD)
- 12 498261 COVER BASE, PLAS DUCT WIRING 4"X 3"X 6'  
498253 COVER BASE, PLAS DUCT WIRING CVR 4"X 6' GREY
- 13 800425 MODULE, GEN CONTROLLER WSTRBK
- 14 638205 BUSS BAR, DC GROUND 12-POSITION LARGE
- 15 140814 SOLENOID, EMERG START (12V DSL)  
651869 SOLENOID, MAGNET LATCHING LEAD ONLY

**MDP COMPONENT BOARD**

- 16 1380005 450EB 00, PANEL, MDP COMPONENT BOARD HIN#  
726893 PROBOARD, 1/2"X 4'X 8' GREY
- 17 179242 BUSS BAR, 6-GANG TERMINAL STRIP
- 18 623819 HALON SYS, ENG INTERRUPT/RESTART 12V 5-CKT
- 19 795583 BUSS BAR, SGL POST 5/16"
- 20 800417 MODULE, BILGE BLOWER CONTROLLER
- 21 643510 BUSS BAR, DC GROUND 10-POSITION SML

AIR CONDITIONING SYSTEM

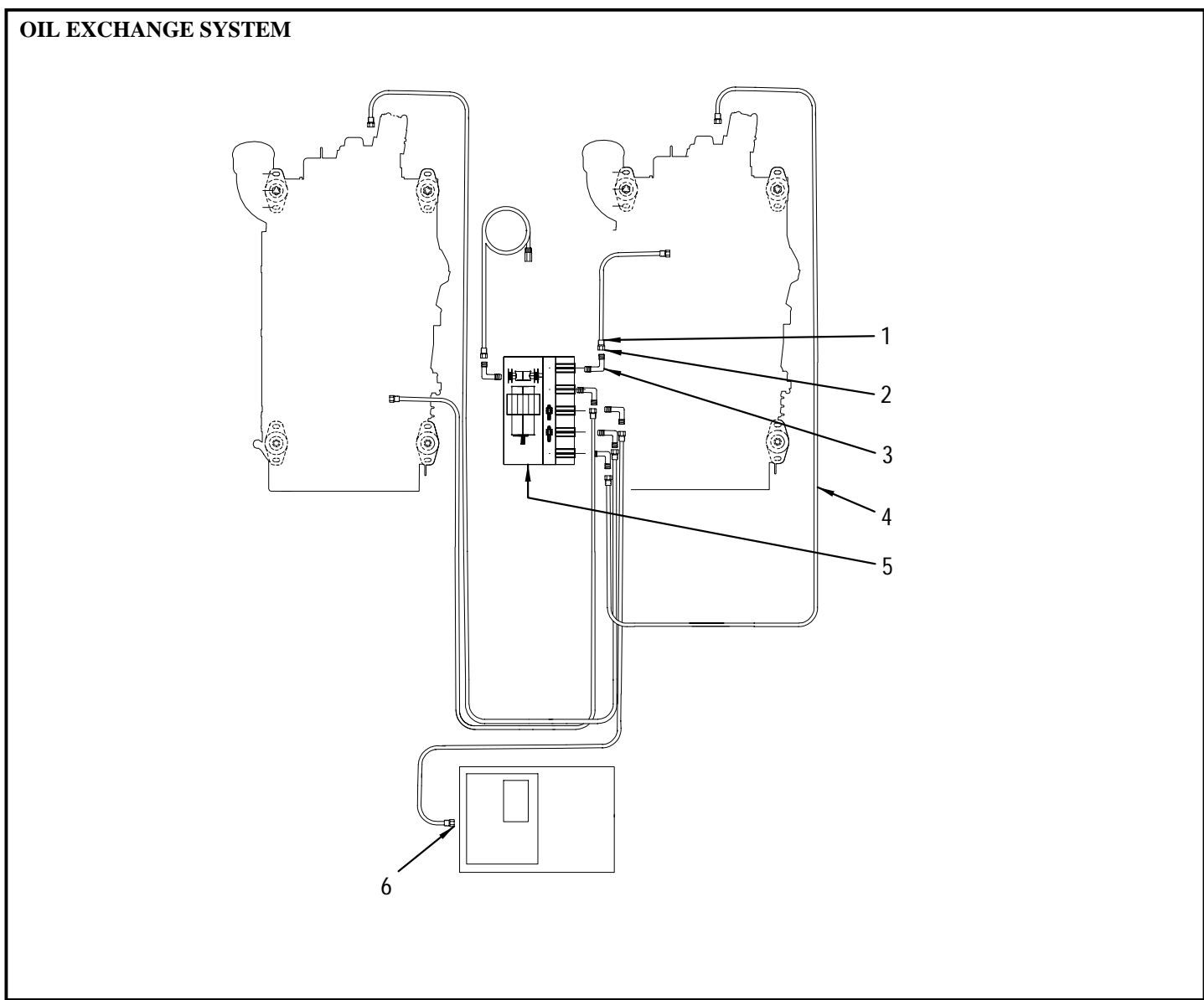


**AIR CONDITIONING SYSTEM**

- 1 673632 A/C COMP, 7K BTU ROT/COMP 230V
- 2 961482 A/C COMP, GRILL PLENUM 50687-10
- 3 124065 HOSE, AC/DUCT INSULATED 4"
- 4 948372 A/C COMP, GRILL 4" W/DA CLW
- 5 1118389 A/C COMP, PLENUM 4"X8"-4"X5" 5"X5"
- 6 1112648 A/C COMP, MANIFOLD 3 OUTLET STRGHT 3/4"FPT
- 7 1172584 A/C COMP, PLENUM 4X8X10
- 8 948760 A/C COMP, 16K BTU STOWAWAY 230V
- 9 1099118 A/C COMP, PLENUM 7"IN X 5"L X 4
- 10 1118421 A/C COMP, PLENUM RA W/12"IN
- 11 1118371 A/C COMP, RING 12" W/FILTER
- 12 957092 A/C COMP, HOSE RING 5" OBLONG
- 13 1099126 A/C COMP, GRILL 4X4 BLK
- 14 266528 HOSE, AC/DUCT INSULATED 5"
- 15 1118363 HOSE, AC/DUCT INSULATED 12"X 8' FLEX
- 16 124453 HOSE, AC/DUCT INSULATED 7"

**NOT SHOWN**

- 1055821 A/C COMP, FACE PLATE FOR CONTROL BLK
- 1090422 A/C COMP, QC PKG (CONDENSING UNIT)
- 1178490 A/C COMP, PLENUM/GRILL
- 123463 CLAMP, HOSE #16 3/4"-1.5" SS
- 123588 CLAMP, HOSE #104 4"-7" SS
- 170357 ADAPTER, BRZ 1"MPT X 1"BARB STRAIGHT
- 192500 CONN, ROMEX PLAS 1/2"
- 531426 ADAPTER, BRZ 3/4"MPT X 3/4"BARB
- 660126 A/C COMP, ECU CONTROL UNIT
- 826115 A/C COMP, QC PKG (MICROPROCESSOR CNTRL UNIT)
- 828871 A/C COMP, CORD SMXII - 15'
- 858589 ELBOW, PVC 1/2"FPT X 3/4"BARB X 90DEG
- 944850 A/C COMP, PUMP RELAY 240V
- 948620 A/C COMP, CORD PLUG IN SMXII - 20'
- 961862 A/C COMP, GRILL 4X4 PLENUM W/4R



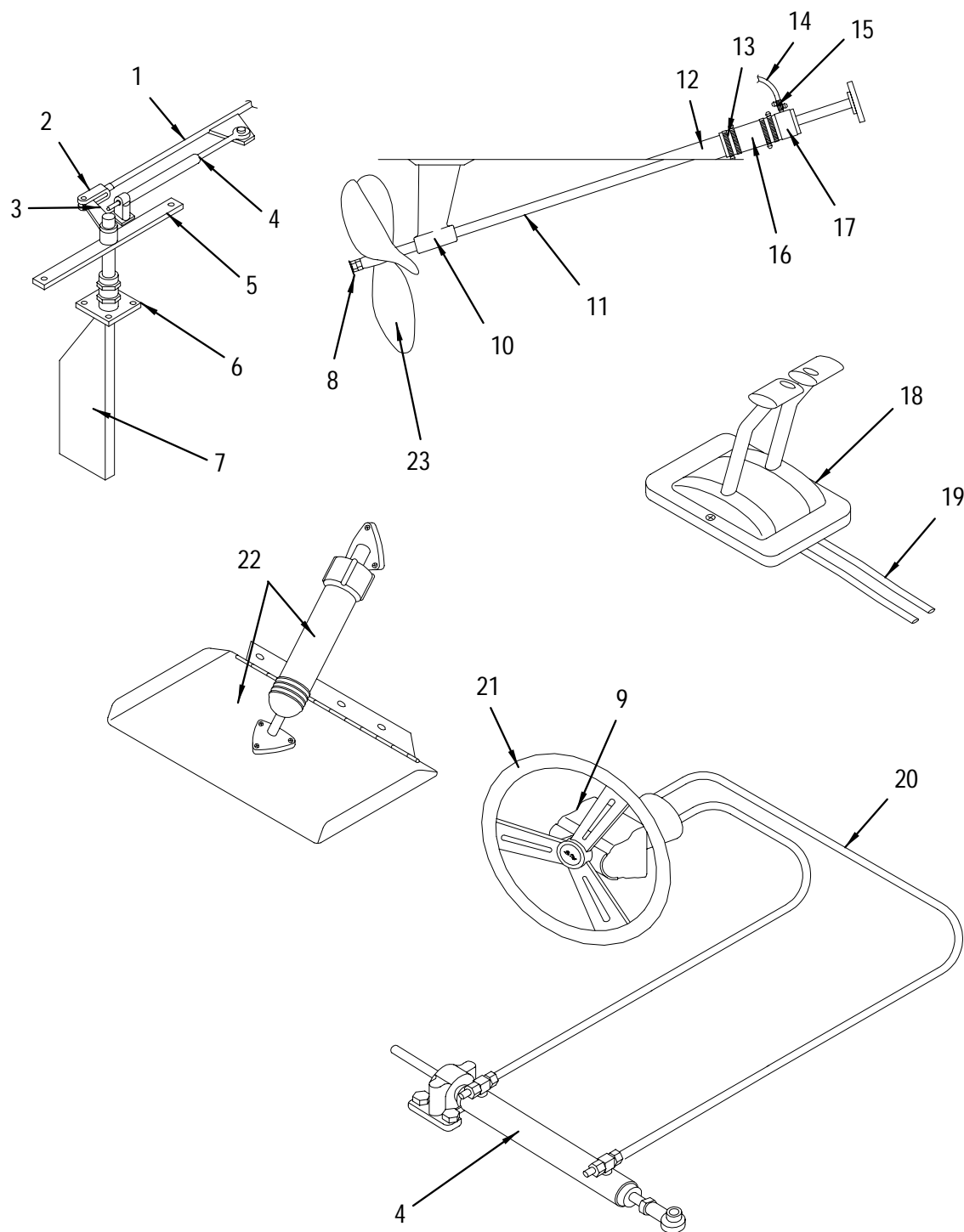
**OIL EXCHANGE SYSTEM**

- 1 170605 FITTING, BRASS 1/2" BARB/NUT
- 2 170621 FERRULE, FUEL LINE 1/2"
- 3 169102 ELBOW, BRASS 90DEG 1/2" MPT X 1/2" SAE
- 4 123786 HOSE, FUEL 1/2" TYPE A CLASS 1
- 5 1095702 PUMP, OIL CHANGE KIT 12V 5-VALVE
- 6 169821 ADAPTER, BRASS 1/2" MPT X 1/2" SAE

**NOT SHOWN**

- 123406 CLAMP, HOSE #12 1/2"-1.25" SS
- 123638 CLAMP, LOOM VINYL DIP 1.5"
- 123661 CLAMP, LOOM VINYL DIP 1"
- 172742 HOSE, GARDEN 5/8" PLAS CONNECTOR MALE
- 172759 HOSE, GARDEN 5/8" PLAS CONNECTOR FEMALE
- 821082 JUG, JERRY WHT 2.5GAL 63MM
- 821090 JUG, JERRY CAP BLK 2.5GAL 63MM
- 872077 CONTAINER, V/F HDPE RESIN OIL BOTTLE BLK

STEERING SYSTEM



## STEERING SYSTEM

## NOT SHOWN (continued)

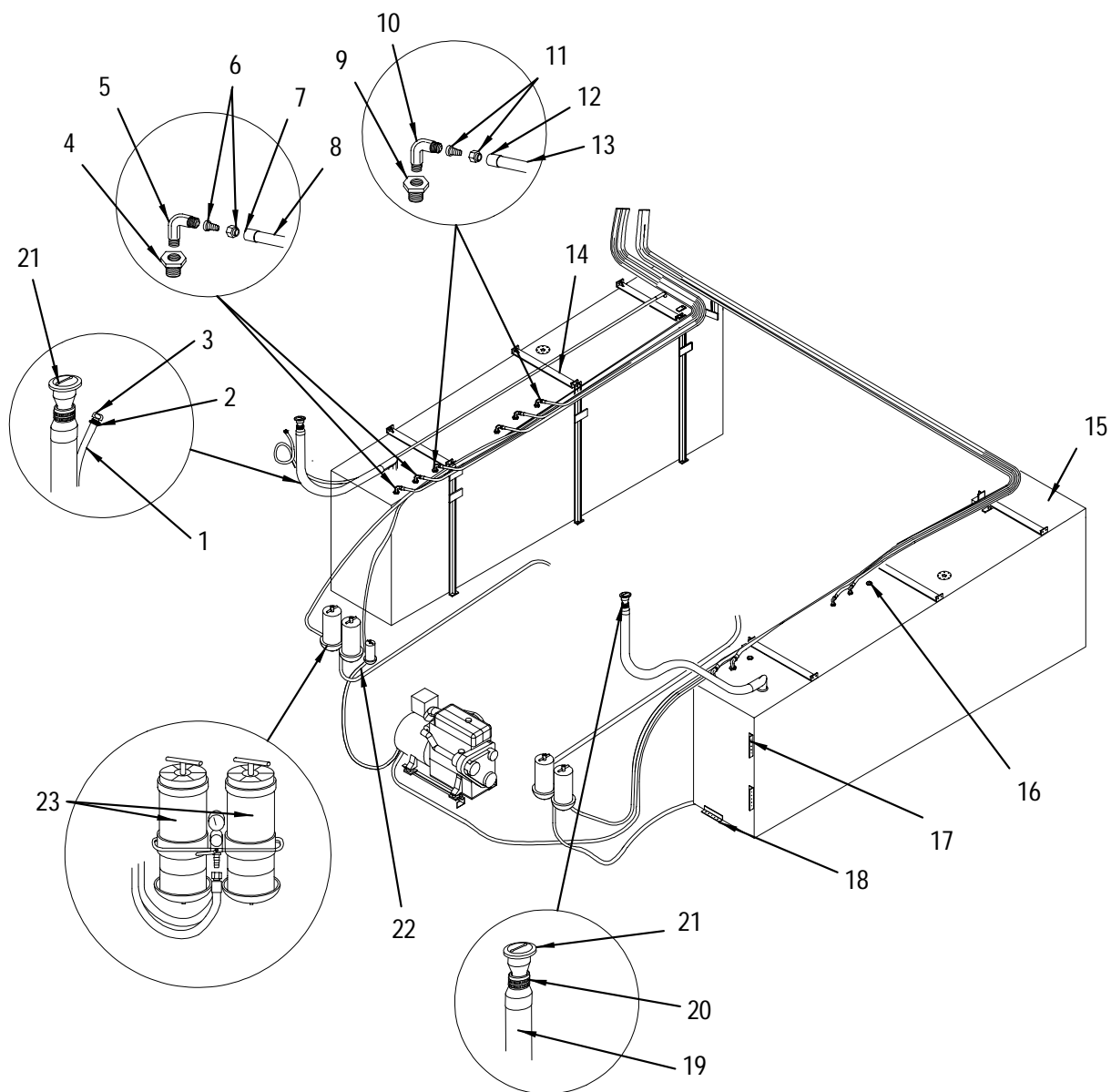
1	1039445	TIE BAR, RUDDER 57" W/TAB
	144006	WASHER, TIE BAR LOCK WASHER 3/4"
2	143222	RUDDER CLEVIS, 4"LONG X 1"-14 FPT
3	161232	RUDDER ARM, 1.5"
4	416545	STEERING, HYD CYLINDER 150-7ATM
5	161182	RUDDER SUPPORTS, 440AC/390EC
	1044502	RUDDER SUPPORTS, 450EB-98 UPR STBD
6	587147	STUFFING BOX, RUDDER W/PACK 1.5"DIA
7	1096254	RUDDER, 450EB-98
	144394	KEY STOCK, RUDDER 1/4"X 1/4"X 12" BRASS
	161257	WASHER, RUDDER WASHER 1.5"
8	144402	PIN, COTTER PIN 5/32"X 2" SS
9	317032	STEERING, HELM PUMP SEA STAR I TILT
10	1010537	STRUT, W/BEARING 1.75" 450EB-98 (T-340 PHP)
	1081447	STRUT, W/BEARING 2" 450EB-98 (OPTIONAL T-430 PHP & T-435 PHP)
11	1041110	SHAFT, SS 2"X 83.75" AQ22 CAT 3208/3126 435HP
	1223445	SHAFT, SS 1.75"X 94.5" AQ22 CAT 3116/340HP
12	841601	TUBING, SHAFT LOG 3.5"OD X 20"X 11.5"
13	123554	CLAMP, HOSE #64 2 5/8"-4.5" SS
14	684738	HOSE, FUEL 3/8" TYPE A CLASS 1
	947473	HOSE, FUEL 3/8" ISO/CE
15	123398	CLAMP, HOSE #06M 5/16"-7/8" SS MINI
16	791426	STUFFING BOX, UHMW 1.75"ID 3.5"HOSE (T-340 PHP)
	803270	STUFFING BOX, UHMW 2"ID 3.5"HOSE (OPTIONAL T-430 PHP & T-435 PHP)
17	803734	SEAL KIT, SHAFT STUFFING BOX 1.75" W/TOOL (T-340 PHP)
	803726	SEAL KIT, SHAFT STUFFING BOX 2" W/TOOL (OPTIONAL T-430 PHP & T-435 PHP)
18	1051689	CONTROL, THRTL/SHFT W/SS HANDLES W/GOLD KNOBS
	1073758	CONTROL, NEUTRAL SAFETY SWITCH
	161992	CONTROL, CONNECTOR KIT
19	232314	SYNCHRONIZER CABLE, 11FT "X" DRIVE
	1335827	CABLE, CONTROL TELEFLEX TFXTRME 24'
	232348	SYNCHRONIZER, GLENDENNING DSL ENG
	280123	SYNCHRONIZER CABLE, 8FT THROTTLE
	703140	SYNCHRONIZER CABLE, 14FT "X" DRIVE
	1335967	CABLE, CONTROL TELEFLEX TFXTRME 29' (T-340 PHP)
	1335942	CABLE, CONTROL TELEFLEX TFXTRME 34' (T-340 PHP)
	1335959	CABLE, CONTROL TELEFLEX TFXTRME 36' (T-340 PHP)
	1210905	SYNCHRONIZER CABLE, 13FT THROTTLE (T-435 PHP)
	1335868	CABLE, CONTROL TELEFLEX TFXTRME 32' (T-435 PHP)
	1335959	CABLE, CONTROL TELEFLEX TFXTRME 36' (T-435 PHP)
	1335991	CABLE, CONTROL TELEFLEX TFXTRME 40' (T-435 PHP)
	1210905	SYNCHRONIZER CABLE, 13FT THROTTLE (T-430 PHP)
	1335868	CABLE, CONTROL TELEFLEX TFXTRME 32' (T-430 PHP)
	1335991	CABLE, CONTROL TELEFLEX TFXTRME 40' (T-430 PHP)
20	990093	TUBING, HYD 3/8" BLK (TELEFLEX)
21	1298017	STEERING WHEEL, 3-SPOKE WOOD W/URETH PAD
	322909	EMBLEM, SEA RAY LOGO 1 3/8"ROUND
22	976274	TRIM TAB, ASSY 12X26 DUAL RAM 12V W/ZINC
23	1116342	PROP, 22"X 20"X 1.75" R4BC NIBRAL H/S (T-340 PHP)
	1116359	PROP, 22"X 20"X 1.75" L4BC NIBRAL H/S (T-340 PHP)
	1205608	PROP, 23"X 26"X 2" R4BC NIBRAL H/S (OPTIONAL CUMMINS T-430 PHP)
	1205616	PROP, 23"X 26"X 2" L4BC NIBRAL H/S (OPTIONAL CUMMINS T-430 PHP)
	1290196	PROP, 24"X 25"X 2" R4BHC NIBRAL H/S (OPTIONAL CAT T-430 PHP)
	1290188	PROP, 24"X 25"X 2" L4BHC NIBRAL H/S (OPTIONAL CAT T-430 PHP)

## NOT SHOWN

123539	CLAMP, HOSE #48 1 5/8"-3.5" SS
123695	CLAMP, LOOM VINYL DIP #12 3/4"
1294388	PLATE, ALUM 1/4"X 3"X 10.5"
1294396	PLATE, ALUM 1/4"X 3"X 12"
139980	FERRULE, FUEL LINE 3/8"

152132	SCREW, CAP #1/2-13 X 2" HEX HD SS
152785	NUT, HEX NYLON LOCK #1/2-13 SS
161349	SHIM, BRASS 2"X 2"X 3/16"
168807	STEERING, ADAPTER BRASS 1/4"MPT X 3/8"COMP
170589	FITTING, BRASS 3/8"BARB/NUT
188474	BRACKET, 390EC MANUAL BLKHD
560458	SCREW, CAP #5/8-18 X 2.25" HEX HD G8 STL ZINC
560466	NUT, HEX #5/8-18 G8 STEEL ZINC
560474	WASHER, LOCK/SPLIT 5/8" G8 STEEL ZINC
587295	BRACKET, CUMMINS TRANSMISSION CABLE
723478	SYNCHRONIZER ADAPTER, 3116 CAT DRV

FUEL SYSTEM



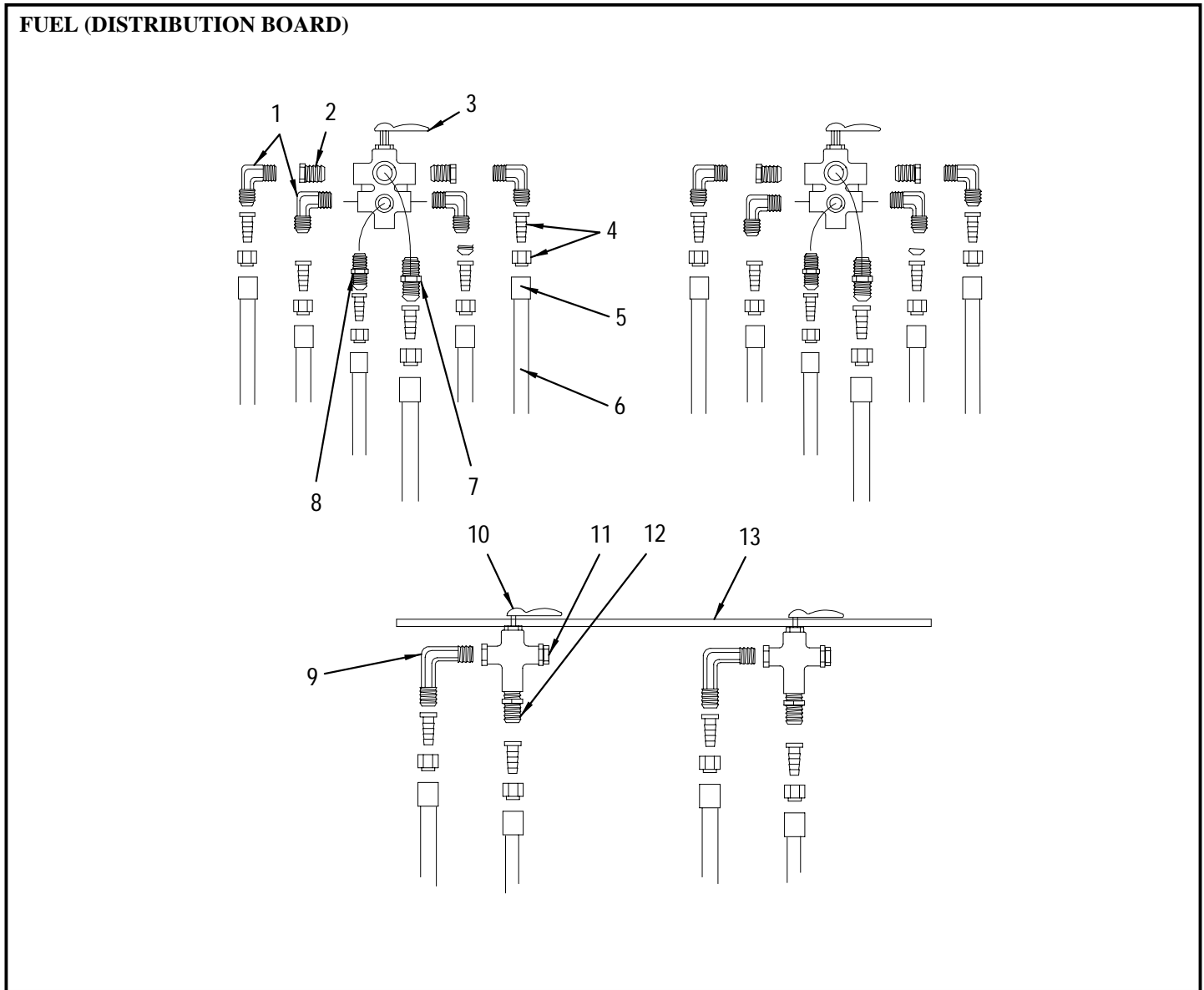


**FUEL SYSTEM**

1	947507	HOSE, FUEL 5/8" ISO/CE
2	123406	CLAMP, HOSE #12 1/2"-1.25" SS
3	584763	VENT, FUEL/WATER TANK 5/8" X 4"
4	184077	BUSHING, SS THD 3/8" FPT X 1/2" MPT
5	169748	ELBOW, BRASS 90DEG 1/2" SAE X 3/8" MPT
6	170605	FITTING, BRASS 1/2" BARB/NUT
7	170621	FERRULE, FUEL LINE 1/2"
	965988	FERRULE, FUEL LINE FOR 1/2" ISO/CE
8	123786	HOSE, FUEL 1/2" TYPE A CLASS 1
9	791392	BUSHING, SS THD 1/4" FPT X 3/8" MPT
10	629253	ELBOW, BRASS 90DEG 1/4" SAE X 1/4" MPT
11	629279	FITTING, BRASS 1/4" BARB/NUT
12	965954	FERRULE, FUEL LINE 0.650" ID FOR 1/4" A1-ISO
13	947457	HOSE, FUEL 1/4" ISO/CE
14	177444	STRAP, FUEL TANK HOLDING 420DA
	485318	TAPE, FOAM CLSD-CELL NEOPRENE 3/8" TH X 2"W
15	775627	TANK, FUEL 450DA 200GAL PORT
	775635	TANK, FUEL 450DA 200GAL STBD
	1691492	SENDING UNIT, FUEL ROCHESTER ADJ 14.5" X 13.5" <b>(PORT &amp; STARBOARD)</b>
16	494724	PLUG, SS 3/8" MPT
17	797332	TANK, BRACKET PVC 1/4" X 2" X 2" X 8"
18	797324	TANK, BRACKET PVC 1/4" X 2" X 2" X 12"
19	123752	HOSE, FUEL 2" TYPE A CLASS 2
20	123513	CLAMP, HOSE #32 1 9/16"-2.5" SS
21	1114263	DECK PLATE, DSL SS 2" GRN CLR-CODE
	522581	DECK PLATE, CAP W/CHAIN
	522599	KEY, DECK PLATE CAP
22	140335	FILTER, REMOTE FUEL DSL (500MA) <b>(GENERATOR)</b>
	162750	ADAPTER, BRASS 1/4" MPT X 1/4" SAE <b>(GENERATOR)</b>
	170522	FITTING, STEEL 9/16"-18 STR THREAD X 1/4" FPT <b>(GENERATOR)</b>
	629253	ELBOW, BRASS 90DEG 1/4" SAE X 1/4" MPT <b>(GENERATOR)</b>
23	898049	FILTER, DUAL FUEL (75-900MA)

**NOT SHOWN**

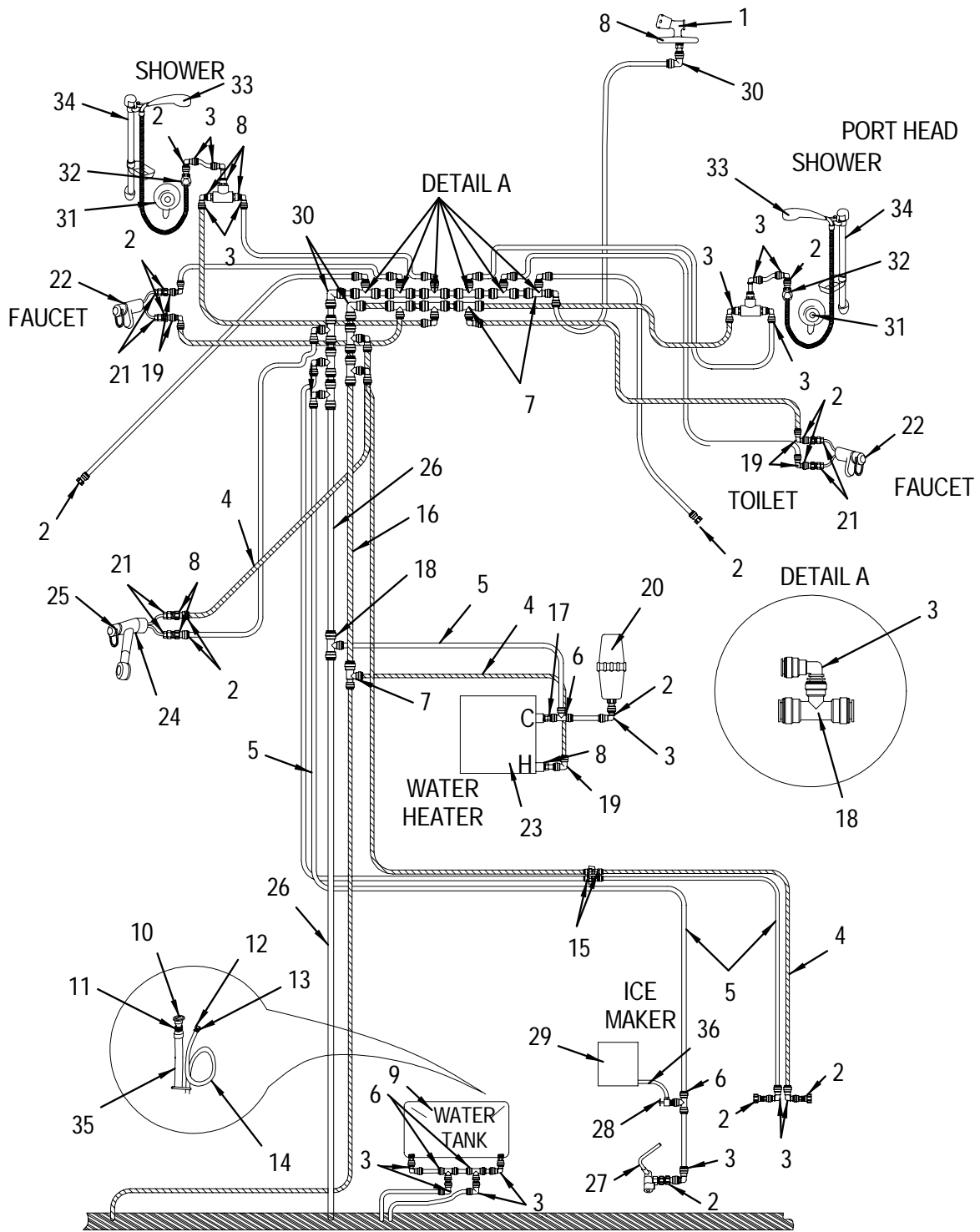
140483	ADAPTER, BRASS 1/4" MPT X 3/8" SAE
261362	CLAMP, LOOM VINYL DIP #48 3"
130690	TAPE, FOAM CLSD-CELL NEOPRENE 1/4" TH X 2"W
168948	ELBOW, BRASS 90DEG 1/4" FPT <b>(GENERATOR)</b>
168955	ELBOW, BRASS 90DEG 1/4" MPT X 1/2" SAE <b>(GENERATOR)</b>
170555	COUPLING, BRASS 1/4" FPT X 1/4" FPT <b>(GENERATOR)</b>
187765	BRACKET, STRAINER 10"
335109	TEE, BRASS STREET 1/8" FPT X 1/8" MPT X 1/8" FPT <b>(GENERATOR)</b>
629246	ELBOW, BRASS 90DEG 1/4" SAE X 1/8" MPT <b>(GENERATOR)</b>
801902	ADAPTER, BRASS 1/8" MPT X 1/4" SAE <b>(GENERATOR)</b>



**FUEL (DISTRIBUTION BOARD)**

- 1 169748 ELBOW, BRASS 90DEG 1/2"SAE X 3/8"MPT
- 2 171348 BUSHING, BRASS 3/8"FPT X 1/2"MPT
- 3 171728 VALVE, BRASS 6-WAY FUEL 1/2"
- 4 170605 FITTING, BRASS 1/2"BARB/NUT
- 5 170621 FERRULE, FUEL LINE 1/2"
- 6 123786 HOSE, FUEL 1/2" TYPE A CLASS 1
- 7 169821 ADAPTER, BRASS 1/2"MPT X 1/2"SAE
- 8 169623 ADAPTER, BRASS 3/8"MPT X 1/2"SAE
- 9 629253 ELBOW, BRASS 90DEG 1/4"SAE X 1/4"MPT
- 10 140004 VALVE, BRASS 3-WAY FUEL 1/4"
- 11 172346 PLUG, BRASS 1/4" MPT
- 12 162750 ADAPTER, BRASS 1/4"MPT X 1/4"SAE
- 13 897751 PANEL, 580SS-97 FUEL CROSSOVER
- 726893 PROBOARD, 1/2"X 4"X 8' GREY
- 841411 BRACKET, 2"X 3"X 5" FUEL BOARD VALVE
- 964296 PANEL, HDPE 580SS-97 FUEL CROSSOVER

WATER SYSTEM (FORWARD)



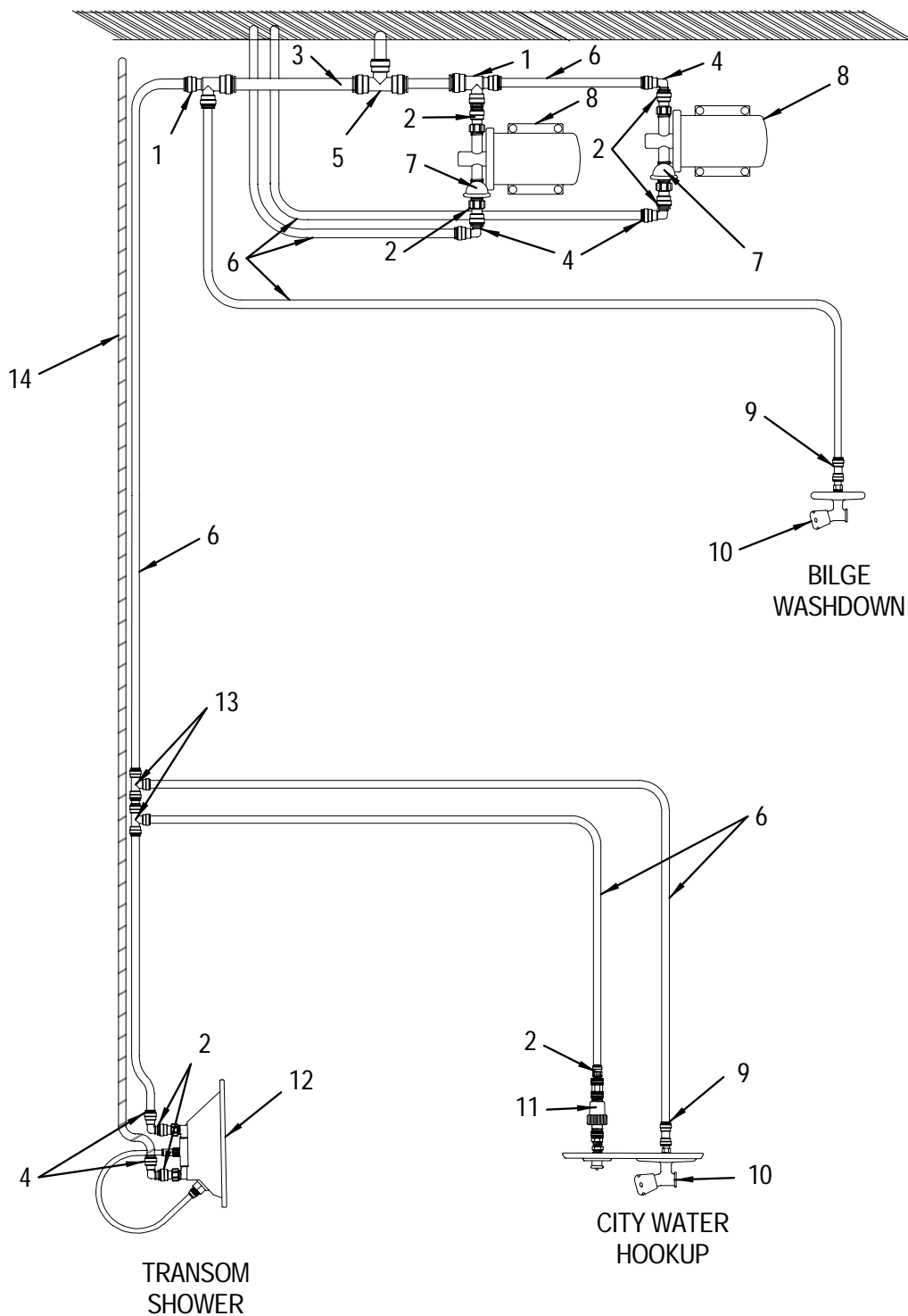
## WATER SYSTEM (FORWARD)

1	1096262	FAUCET, SILLCOCK WASHDOWN (WHITECAP)
	124446	HOSE, GARDEN 5/8" WHT
	172742	HOSE, GARDEN 5/8" PLAS CONNECTOR MALE
	172759	HOSE, GARDEN 5/8" PLAS CONNECTOR FEMALE
	342253	WASHER, RBR 1/2" (GARDEN HOSE)
	487371	BRACKET, BILGE WASHDOWN
2	1216308	ADAPTER, SEATECH STRAIGHT 1/2"M-15MM BRASS
3	1214840	ELBOW, SEATECH 90DEG STEM 15MM
4	1210194	TUBING, SEATECH 15MM X 11MM X 250' RED
5	1210160	TUBING, SEATECH 15MM X 11MM X 250' BLUE
6	1214824	TEE, SEATECH EQUAL 15MM
7	1226786	TEE, SEATECH REDUCER 22MM-15MM-15MM
8	1216308	ADAPTER, SEATECH STRAIGHT 1/2"M-15MM BRASS
9	1078732	TANK, WATER 450EB-98 - 50GAL
	141747	ANGLE, PVC 2"X 2"X 1/4"X 10' GREY
	931956	SENDING UNIT, WATER 12"
10	1109321	DECK PLATE, WATER SS BLUE CLR-CODE
	522557	DECK PLATE, CAP W/CHAIN GAS/WATER
	522599	KEY, DECK PLATE CAP
11	123489	CLAMP, HOSE #24 1"-2" SS
12	584763	VENT, FUEL/WATER TANK 5/8"X 4"
13	123398	CLAMP, HOSE #06M 5/16"-7/8" SS MINI
14	124719	HOSE, SANI/CHEMICAL TDX 5/8"
15	983072	VALVE, SEA TECH SHUTOFF 15MM
16	1215193	TUBING, SEATECH 22MM X 11MM X 250' RED
17	1210897	ADAPTER, SEATECH STEM CHECK 1/2"MPT X 15MM
18	1226885	TEE, SEATECH REDUCER 22MM-22MM-15MM
19	1214832	ELBOW, SEATECH 90DEG EQUAL 15MM
20	621318	TANK, WATER ACCUMULATOR (JABSCO)
21	593913	NIPPLE, GENOVA 5/8"OD X 3"
22	939173	FAUCET, LAV CTRSET CHR/BRS
	1298710	FAUCET, CARTRIDGE CERAMIC 90DEG LH
	1302504	FAUCET, CARTRIDGE CERAMIC 90DEG RH
	893388	FAUCET, HNDL CHR/BRS (CLASSIC)
23	1156736	HEATER, WATER 11 GAL 220/50 W/75-210 T&P
	1115732	BRACE, P/B HEATER SUPPORT
24	1253061	FAUCET, GALLEY CLASSIC CHR/POL BRS W/SPRY FLX
25	893388	FAUCET, HNDL CHR/BRS (CLASSIC)
26	1215219	TUBING, SEATECH 22MM X 11MM X 250' BLUE
27	266668	FAUCET, WHALE CKPT ENT CTR
28	1224369	ADAPTER, SEATECH 15MM ICE MAKER VALVE
29	864678	ICE MAKER, 23 LB WHT W/FLNGE CFC FREE 120V/60
	864686	ICE MAKER, 23 LB WHT W/FLNGE CFC FREE 220V/50
30	1226919	ELBOW, SEATECH 90DEG EQUAL 22MM
31	916247	FAUCET, BATH MIXER CHR/BRS
32	900373	SHOWER, UNION FIXTURE CHR
33	916205	SHOWER, HAND HELD ANGLED RELEXA PLUS
	916221	SHOWER, HOSE ASSY ONLY RELEXAFLEX CHR
34	916213	SHOWER BAR, SLIDE BAR 24" CHR (GROHE)
35	123844	HOSE, SANI/SMOOTH WALL 1.5"
36	124354	HOSE, PVC CLEAR 1/4"

## NOT SHOWN

1215235	CLIP, SEATECH COLLET 15MM
1215243	ADAPTER, SEATECH 5/8"X 15MM
1226299	ADAPTER, SEATECH 3/4"NPT FM X 15MM PSO BRASS
1226505	CLIP, SEATECH COLLET 22MM
1226943	ADAPTER, SEATECH STEM REDUCER 22MM-15MM
1227032	ADAPTER, SEATECH BRS 1/2"NPT X 3/8"COMP FAUCT
1249044	TEE, PVC 1.5"DBL BEND KIT
167502	TEE, PVC 1.5"FM SLIP
167874	ELBOW, GENOVA 1/2"MPT X 1/2"BARB X 90DEG
170068	ADAPTER, BRASS 1/2"FPT X 3/4"FGH SWIVEL
184101	ADAPTER, PVC 1.5"OD X 1.5"ID SLIP
185124	VALVE, CHECK PVC 1.5" MALE SLIP
266114	THRU-HULL, PLAS 2" WHT (BARBED)
268797	ELBOW, PVC 1.5"F SLIP X 1.5"M SLIP X 90DEG
290510	ELBOW, PVC 1.5"FM SLIP X 1.5"M SLIP 45DEG
673913	ELBOW, PVC 1.5"MPT X 1.5"FM SLIP X 90DEG
995191	TEE, PLAS 3/4" ALL BARB

WATER SYSTEM (AFT)



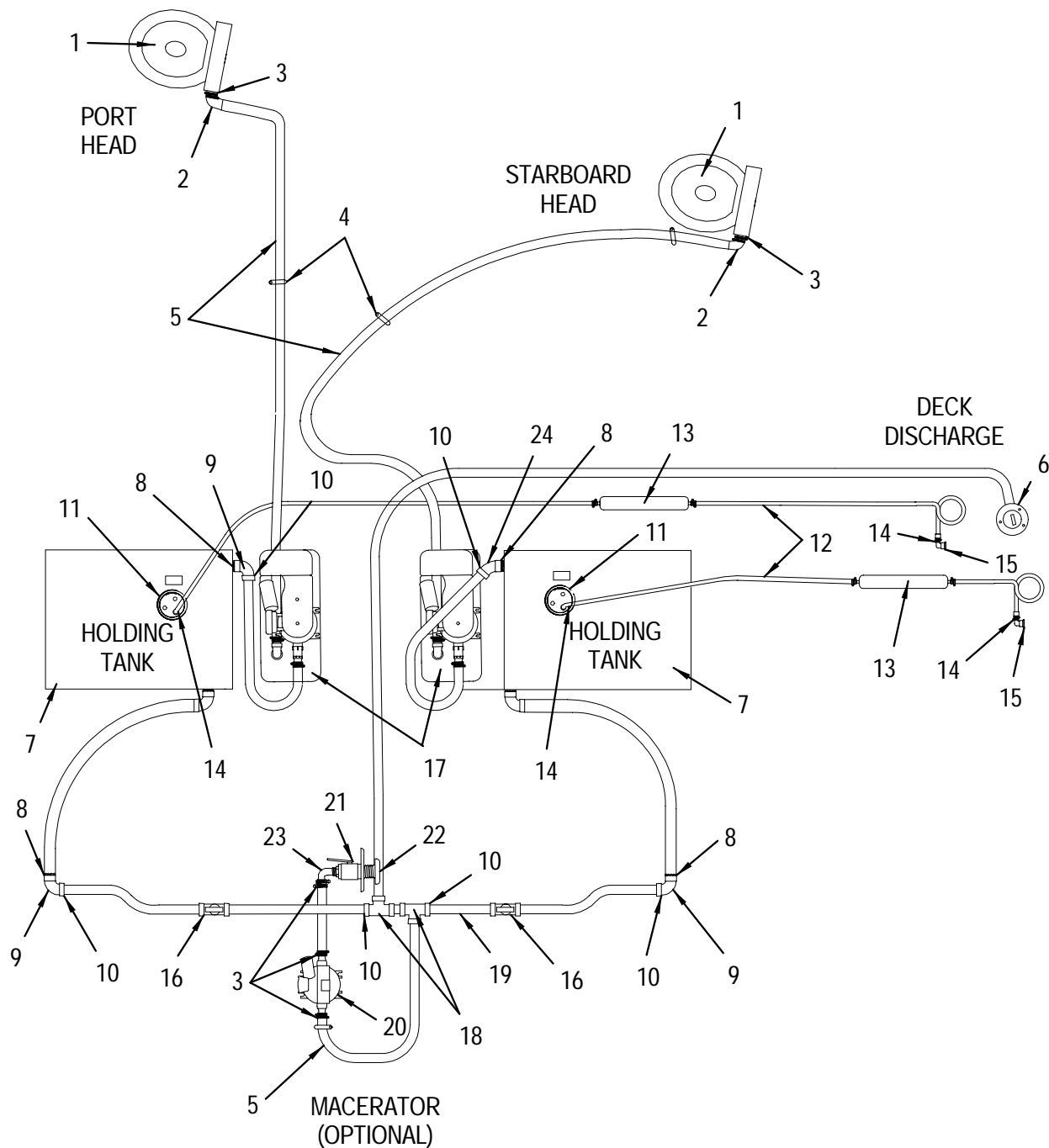
**WATER SYSTEM (AFT)**

- 1 1226786 TEE, SEATECH REDUCER 22MM-15MM-15MM
- 2 1210178 ADAPTER, SEATECH 1/2"-15MM BRASS
- 3 1215219 TUBING, SEATECH 22MM X 11MM X 250' BLUE
- 4 1214840 ELBOW, SEATECH 90DEG STEM 15MM
- 5 1226901 TEE, SEATECH EQUAL 22MM-22MM-22MM
- 6 1210160 TUBING, SEATECH 15MM X 11MM X 250' BLUE
- 7 406710 FILTER, IN-LINE WATER 1/2" FPT
- 8 1128172 PUMP, FRESH WATER SHURFLO 3.3GPM IMP
- 9 1216308 ADAPTER, SEATECH STRAIGHT 1/2"-15MM BRASS
- 10 1096262 FAUCET, SILLCOCK WASHDOWN (WHITECAP)
- 11 141168 INLET, WATER W/PRESS REGULATOR WHT
- 12 736702 FAUCET, WASHDOWN BOX W/MIXER (AQUATIK) VERT
- 1298710 FAUCET, CARTRIDGE CERAMIC 90DEG LH
- 1302504 FAUCET, CARTRIDGE CERAMIC 90DEG RH
- 1302579 FAUCET, WASHDOWN SHOWER UNIT ONLY (AQUATIK)
- 1302587 FAUCET, WASHDOWN DOOR ONLY (AQUATIK)
- 1302595 FAUCET, WASHDOWN HOSE W/FPT ONLY(AQUATIK)
- 1302603 FAUCET, WASHDOWN SPRAYER HEAD ONLY(AQUATIK)
- 13 1214824 TEE, SEATECH EQUAL 15MM
- 14 1210194 TUBING, SEATECH 15MM X 11MM X 250' RED

**NOT SHOWN**

- 1215235 CLIP, SEATECH COLLET 15MM

SEWAGE SYSTEM



## SEWAGE SYSTEM

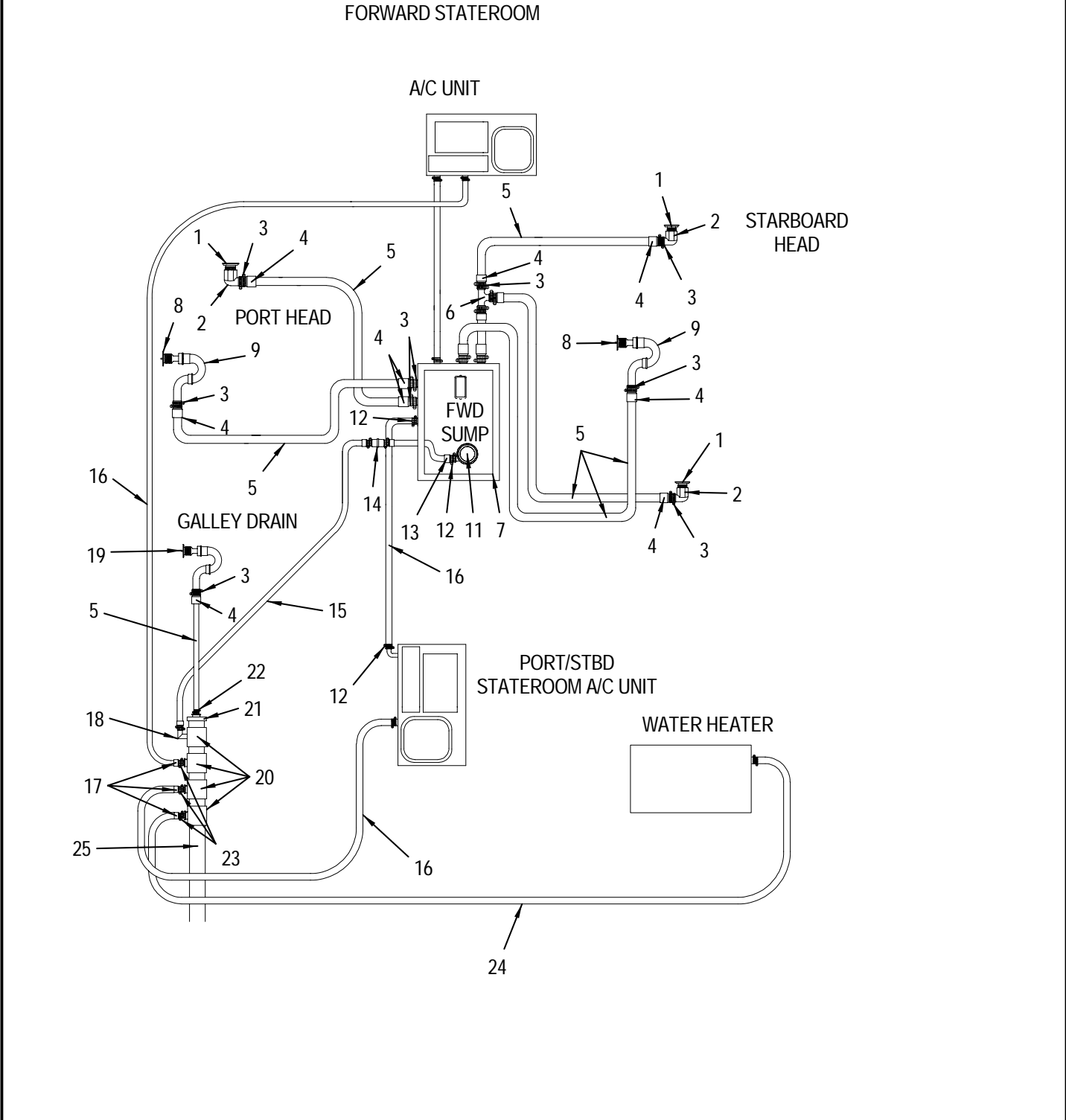
1	270298	HEAD, VACU-FLUSH BTM DISCHARGE BONE
2	970970	ELBOW KIT, 08/48 OUTLET 90 DEG
3	123489	CLAMP, HOSE #24 1"-2" SS
4	123646	CLAMP, LOOM VINYL DIP #32 2"
5	846899	HOSE, SANI 1.5" PREMIUM RBR BLK
6	1109347	DECK PLATE, WASTE SS BLK CLR-CODE
	522581	DECK PLATE, CAP W/CHAIN
	522599	KEY, DECK PLATE CAP
7	671222	TANK, HOLDING 28 GAL 440EB-PORT/450DA-STBD
	1113539	CAP, HOLDING TANK 3" W/5/8" BARB STRAIGHT
	1186980	STRAP, HOLDING TANK 450EB-99
	1235456	VALVE, HOLDING TANK RELIEF 1.5" TANK SAVER
	130690	TAPE, FOAM CLSD-CELL NEOPRENE 1/4" TH X 2" W
	783175	TANK, HOLDING 28 GAL
8	168187	ADAPTER, PVC 1.5" MPT X 1.5" FM SLIP
9	268797	ELBOW, PVC 1.5" F SLIP X 1.5" M SLIP X 90 DEG
10	184101	ADAPTER, PVC 1.5" OD X 1.5" ID SLIP
11	664813	SENDING UNIT, HOLD TANK CAP W/PROBE (3-POS)
12	124719	HOSE, SANI/CHEMICAL TDX 5/8"
13	134759	FILTER, HEAD TREATMENT SYSTEM
14	123398	CLAMP, HOSE #06M 5/16"-7/8" SS MINI
15	584763	VENT, FUEL/WATER TANK 5/8" X 4"
16	673921	VALVE, BALL PVC 2-WAY 1.5" W/QUICK DISC
17	1302090	VACUUM GEN, HEAD SYS PUMP/ACCUM 12V W/CONN
18	1249044	TEE, PVC 1.5" DBL BEND KIT
19	149757	PIPE, PVC SCH 40 BOE PIPE 1.5"
		(MACERATOR OPTION)
20	1302058	PUMP, HEAD SYS MACERATOR W/RELAY/CONN 12V
		(MACERATOR OPTION)
21	518456	SEACOCK, BRZ 1.5" W/O TAILPIECE
		(MACERATOR OPTION)
22	124644	THRU-HULL, BRZ 1.5" N/ NUT
		(MACERATOR OPTION)
23	531566	ELBOW, BRZ 90 DEG 1.5" MPT X 1.5" BARB
		(MACERATOR OPTION)
24	290510	ELBOW, PVC 1.5" FM SLIP X 1.5" M SLIP 45 DEG
		(MACERATOR OPTION)

## NOT SHOWN

167478	TEE, PVC 1.5" ALL BARB
168351	ADAPTER, PVC 1/2" MPT X 1/2" BARB GREY
168591	COUPLING, PVC 1.5" FM SLIP
289587	HOSE, CORR GREY WIRE REINFORCED 2" ID
341693	HOSE CUFF, 2" GREY
484550	ADAPTER, PVC 1" MPT X 3/4" BARB
1302116	SWITCH, SEACOCK INTERLOCK W/60" LEADS/CONN
	(MACERATOR OPTION)
648097	BODY, ROCK SW SPST BLK 12V INCAND
	(MACERATOR OPTION)
679324	ACTUATOR, ROCK BLK W/BLEND LENS ACCY
	(MACERATOR OPTION)
846899	HOSE, SANI 1.5" PREMIUM RBR BLK
	(MACERATOR OPTION)
955278	LABEL, NOTICE OVERBOARD DISCHARGE (LEXAN)
	(MACERATOR OPTION)



DRAINAGE SYSTEM (FORWARD)



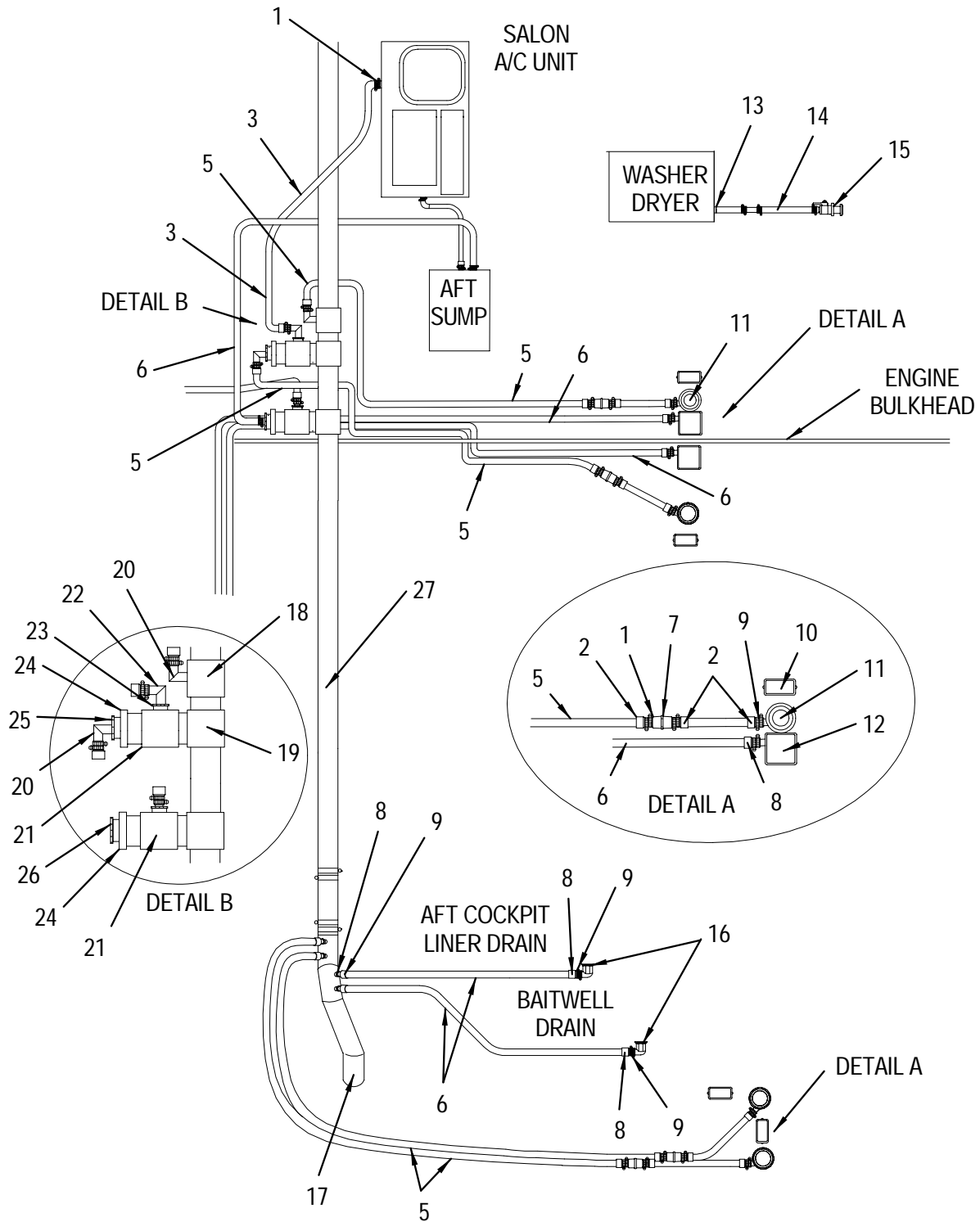
**DRAINAGE SYSTEM (FORWARD)**

1	418871	DRAIN ASSY, SHOWER 1.25"NPT
2	532416	ELBOW, PVC 1.25"FPT X 1.5"BARB X 90DEG
3	123489	CLAMP, HOSE #24 1"-2" SS
4	172726	HOSE CUFF, 1.5" RH WHT
5	490219	HOSE, CORR SAN/WATER-FILL 1.5" RH
6	167478	TEE, PVC 1.5" ALL BARB
7	974279	SHOWER, SUMP ASSY 480DB-98
8	146175	DRAIN ASSY, 1.25" DRAIN W/PLUG PLASTIC
9	162453	DRAIN, P-TRAP ASSY W/CONN 1.25"-1.50"
10	678086	SWITCH, FLOAT SUREBAIL
11	125443	PUMP, BILGE 2000GPH
12	123406	CLAMP, HOSE #12 1/2"-1.25" SS
13	466615	HOSE CUFF, 1" RH WHT
14	555375	VALVE, CHECK WHALE 1" - 1.5"
15	466664	HOSE, CORR VAC 1" RH
16	1058957	HOSE, WATER A/C WHT 5/8"
	124412	HOSE, PVC CLEAR/WHT W/RED TRACER 5/8"
17	167874	ELBOW, GENOVA 1/2"MPT X 1/2"BARB X 90DEG
18	168039	ELBOW, PVC 1"MPT X 1"BARB X 90DEG
19	175687	DRAIN, SINK STRAINER 2.5" SS
20	627786	TEE, PVC 2.5"FM SLIP X 2.5"FM SLIP X 1"FPT
21	627851	BUSHING, PVC 2.5"M SLIP X 1.5"FM SLIP
22	184101	ADAPTER, PVC 1.5"OD X 1.5"ID SLIP
23	533943	BUSHING, PVC 1"MPT X 1/2"FPT
24	124594	HOSE, WATER 5/8" HVY DTY (HEATER)
25	627778	PIPE, PVC SCH 40 BOE PIPE 2.5"
	123513	CLAMP, HOSE #32 1 9/16"-2.5" SS

**NOT SHOWN**

	123810	HOSE, GEN PURPOSE 3/4"
	123877	HOSE, CORR SAN/WATER-FILL 3/4"
	124487	THRU-HULL, PLAS 5/8" WHT
	132258	HOSE CUFF, 3/4"RH
	141671	TAILPIECE, PVC FLANGED 1.5"X 4"
	583427	DRAIN, W/PLUG 100DEG 3/4"BARB CHR
	975771	VALVE, MARELON W/3/4"TH-HL/DBL BARB 90DEG BLK
	1112648	A/C COMP. MANIFOLD 3 OUTLET STRGHT 3/4"FPT (AIR CONDITIONING)
	531582	PICK-UP, BRZ WATER INTAKE 1" (GENERATOR)
	840033	A/C COMP. PUMP SEAWATER 230V 60C (AIR CONDITIONING)

DRAINAGE SYSTEM (AFT)



**DRAINAGE SYSTEM (AFT)**

1	123406	CLAMP, HOSE #12 1/2"-1.25" SS
2	466615	HOSE CUFF, 1" RH WHT
3	1058957	HOSE, WATER A/C WHT 5/8"
	124412	HOSE, PVC CLEAR/WHT W/RED TRACER 5/8"
4	939892	SHOWER, SUMP ASSY 12V W/800 PUMP/CHCK VLV
	791475	LID, PLEX 12" X 23 5/8" SHOWER SUMP
5	466664	HOSE, CORR VAC 1" RH
6	490219	HOSE, CORR SAN/WATER-FILL 1.5" RH
7	555375	VALVE, CHECK WHALE 1"- 1.5"
8	172726	HOSE CUFF, 1.5" RH WHT
9	123489	CLAMP, HOSE #24 1"-2" SS
10	678086	SWITCH, FLOAT SUREBAIL
11	125443	PUMP, BILGE 2000GPH
12	801563	PUMP, BILGE MANUAL PICKUP/STRAINER
		<b>(OPTIONAL)</b>
13	327072	ADAPTER, BRASS 1/2"MPT X 5/8"BARB STRAIGHT
14	124594	HOSE, WATER 5/8" HVY DTY (HEATER)
15	789917	VALVE, MARELON W/1/2"TH-HL/BARB 90DEG
16	791673	THRU-HULL, PLAS 1.5" TUBE X 90DEG
17	1238088	COLLECTOR, COMMON DRAIN ASSY
18	627786	TEE, PVC 2.5"FM SLIP X 2.5"FM SLIP X 1"FPT
19	842054	TEE, PVC 2.5"FM SLIP ALL THE WAY
20	168039	ELBOW, PVC 1"MPT X 1"BARB X 90DEG
21	627786	TEE, PVC 2.5"FM SLIP X 2.5"FM SLIP X 1"FPT
22	167874	ELBOW, GENOVA 1/2"MPT X 1/2"BARB X 90DEG
23	533943	BUSHING, PVC 1"MPT X 1/2"FPT
24	627851	BUSHING, PVC 2.5"M SLIP X 1.5"FM SLIP
25	698183	BUSHING, PVC 1.5"M SLIP X 1"FPT
26	184101	ADAPTER, PVC 1.5"OD X 1.5"ID SLIP
27	627778	PIPE, PVC SCH 40 BOE PIPE 2.5"
	123513	CLAMP, HOSE #32 1 9/16"-2.5" SS

**NOT SHOWN**

167502	TEE, PVC 1.5"FM SLIP
916833	DRAIN, PUSH IN 3/8" WHT

**TVD-3208TA (T-435PHP) V-DRIVE CAT. DIESELS**

169813	ADAPTER, BRASS 1/2"MPT X 3/8"SAE
169920	ADAPTER, BRASS 1/4"MPT X 1/2"SAE
1198696	BOLT, COUPLING 5/8-18 X 2" SHCS
1335868	CABLE, CONTROL TELEFLEX TFXXTREME 32'
1335959	CABLE, CONTROL TELEFLEX TFXXTREME 36'
1335991	CABLE, CONTROL TELEFLEX TFXXTREME 40'
755934	ELBOW, BRZ 45DEG 2"MPT X 2"BARB
1286236	LADDER, BILGE 450EB/460DA OPT
1283555	MUFFLER, 450EB-99 ENG EXH PORT W/BYPASS TUBE
1283563	MUFFLER, 450EB-99 ENG EXH STBD W/BYPASS INSR
1290188	PROP, 24"X 25"X 2" L4BHC NIBRAL H/S
1290196	PROP, 24"X 25"X 2" R4BHC NIBRAL H/S
803726	SEAL KIT, SHAFT STUFFING BOX 2" W/TOOL
1041110	SHAFT, SS 2"X 83.75" AQ22 CAT 3208/3126 435HP
1081447	STRUT, W/BEARING 2" 450EB-98
803270	STUFFING BOX, UHMW 2"ID 3.5"HOSE
1210905	SYNCHRONIZER CABLE, 13FT THROTTLE
167460	TEE, PVC 1.5"BARB X 1"BARB X 1.5"BARB
159970	TUBING, EXH GLASS 1"
1242239	V/D, CAT 422HP 3208 ZF280VLD 1.77:1 LH
1242247	V/D, CAT 422HP 3208 ZF280VLD 1.77:1 RH

**TVD-3126TA (T-385 PHP) V-DR.INBOARDS DSLS**

1198696	BOLT, COUPLING 5/8-18 X 2" SHCS
1335868	CABLE, CONTROL TELEFLEX TFXXTREME 32'
1335959	CABLE, CONTROL TELEFLEX TFXXTREME 36'
1108414	PROP, 24"X 24"X 2" L4BC NIBRAL H/S
1108406	PROP, 24"X 24"X 2" R4BC NIBRAL H/S
803726	SEAL KIT, SHAFT STUFFING BOX 2" W/TOOL
1041110	SHAFT, SS 2"X 83.75" AQ22 CAT 3208/3126 435HP
1081447	STRUT, W/BEARING 2" 450EB-98
803270	STUFFING BOX, UHMW 2"ID 3.5"HOSE
1104942	V/D, CAT 407HP 3126MUI 280VLD-ES 1.77:1 LH
1104959	V/D, CAT 407HP 3126MUI 280VLD-ES 1.77:1 RH

**TVD-3116TA (T-340 PHP) V-DR. CAT. DIESELS**

841429	COUPLER BOLT KIT, 4.5CM
723528	V/D, CAT 340HP 3116 HTH800V 1.64:1 LH
723536	V/D, CAT 340HP 3116 HTH800V 1.64:1 RH

**TVD-CUMMINS 6CTA (T-430 PHP) V-DR.INBOARDS**

780338	ADAPTER, BRASS 1/8"MPT X 3/8"BARB
1335868	CABLE, CONTROL TELEFLEX TFXXTREME 32'
1335991	CABLE, CONTROL TELEFLEX TFXXTREME 40'
161992	CONTROL, CONNECTOR KIT
169102	ELBOW, BRASS 90DEG 1/2"MPT X 1/2"SAE
169474	ELBOW, BRASS 90DEG 3/8"SAE X 3/8"MPT
755934	ELBOW, BRZ 45DEG 2"MPT X 2"BARB
1215078	MUFFLER, 450EB-99 ENG EXH CUMMINS
1205616	PROP, 23"X 26"X 2" L4BC NIBRAL H/S
1205608	PROP, 23"X 26"X 2" R4BC NIBRAL H/S
803726	SEAL KIT, SHAFT STUFFING BOX 2" W/TOOL
1041110	SHAFT, SS 2"X 83.75" AQ22 CAT 3208/3126 435HP
1081447	STRUT, W/BEARING 2" 450EB-98
803270	STUFFING BOX, UHMW 2"ID 3.5"HOSE
1210905	SYNCHRONIZER CABLE, 13FT THROTTLE
1212752	V/D, CUM 417HP 450C ZF280VLD1-ES 1.77:1 LH
1212802	V/D, CUM 417HP 450C ZF280VLD1-ES 1.77:1 RH

**CONSOLE COVER**

1247014	CANVAS, 450EB-00 CNSL CVR TST
---------	-------------------------------

**MACERATOR**

679324	ACTUATOR, ROCK BLK W/BLUE LENS ACCY
184101	ADAPTER, PVC 1.5"OD X 1.5"ID SLIP
648097	BODY, ROCK SW SPST BLK 12V INCAND
123489	CLAMP, HOSE #24 1"-2" SS
123646	CLAMP, LOOM VINYL DIP #32 2"
531566	ELBOW, BRZ 90DEG 1.5"MPT X 1.5"BARB
846899	HOSE, SANI 1.5" PREMIUM RBR BLK
955278	LABEL, NOTICE OVERBOARD DISCHARGE (LEXAN)
149757	PIPE, PVC SCH 40 BOE PIPE 1.5"
1302058	PUMP, HEAD SYS MACERATOR W/RELAY/CONN 12V
518456	SEACOCK, BRZ 1.5" W/O TAILPIECE
1302116	SWITCH, SEACOCK INTERLOCK W/60" LEADS/CONN
1249044	TEE, PVC 1.5"DBL BEND KIT
124644	THRU-HULL, BRZ 1.5" N/ NUT

**GRAY WATER SYSTEM**

196683	ADAPTER, PVC 1"MPT X 1"BARB
168187	ADAPTER, PVC 1.5"MPT X 1.5"FM SLIP
184101	ADAPTER, PVC 1.5"OD X 1.5"ID SLIP
168419	ADAPTER, PVC 3/4"MPT X 3/4"BARB
533943	BUSHING, PVC 1"MPT X 1/2"FPT
698183	BUSHING, PVC 1.5"M SLIP X 1"FPT
123398	CLAMP, HOSE #06M 5/16"-7/8" SS MINI
123489	CLAMP, HOSE #24 1"-2" SS
123646	CLAMP, LOOM VINYL DIP #32 2"
1109347	DECK PLATE, WASTE SS BLK CLR-CODE
466664	HOSE, CORR VAC 1" RH
846899	HOSE, SANI 1.5" PREMIUM RBR BLK
124719	HOSE, SANI/CHEMICAL TDX 5/8"
664813	SENDING UNIT, HOLD TANK CAP W/PROBE (3-POS)
693044	STRAP, WASTE HOLDING TANK 440/450EB 4PC
783175	TANK, HOLDING 28 GAL
167445	TEE, PVC 1"BARB X 3/4"FPT X 1"BARB
124578	THRU-HULL, PLAS 1 1/8" WHT
182964	THRU-HULL, PLAS 3/4" WHT
124487	THRU-HULL, PLAS 5/8" WHT
584763	VENT, FUEL/WATER TANK 5/8"X 4"

**BOW THRUSTER - ELECTRIC**

883546	BATTERY, 8D-3 DOUGLAS
1216514	BOOT, BATTERY CABLE 4/0 BLK 1"
1216522	BOOT, BATTERY CABLE 4/0 RED 1"
1047414	BOW THRUSTER, 80KGF 24VDC 7.28"ID TUNNEL
1048388	BOW THRUSTER, EXT HARNESS 20'
1048404	BOW THRUSTER, FBRLS TUNNEL 7 7/8"X 72"
1048370	BOW THRUSTER, JOYSTICK PNL W/20"EXT HARNESS
332593	BRKR/ROCK, SGL-POLE AC/DC HORZ 10A WHT
638205	BUSS BAR, DC GROUND 12-POSITION LARGE
417998	CLAMP, HOSE #04M 1/4"-5/8" SS MINI
944702	CLIP, BATTERY HOLD DOWN SS
1048420	CONVERTER, 12AMP 120/240VAC 50/60HZ 24VDC
987446	FUSE BLOCK, BLADE TYPE ANL350/500
978809	FUSE HOLDER, BLADE ANL
1044205	FUSE, FLAT HEAVY DUTY 350A (BUSSMAN)
904250	HOLDER, BATTERY MOLDED DUAL 8D BLK
933143	HOLDER, HDPE 3-D BATT HOLD DOWN BRKT
947457	HOSE, FUEL 1/4" ISO/CE
987115	LABEL, BOW THRUSTER
987065	LABEL, BOW THRUSTER 500AMP FUSE
986976	LABEL, BOW THRUSTER CONV LRG
944660	LATCH, DRAW FLEX SS/BLK "R" SERIES 130
915827	LEAD, BALLAST TRIANGULAR
1114313	PANEL, 450EB-98 BOW THRUSTER BLK
930925	ROD, THREAD #1/4-20 X 2"THD X 11" W/1"HOOK SS
980227	SOLENOID, MAGNET LATCHING 24V 200A/1200A

**SAFETY PACKAGE - ( C.G.PK.)**

888826	FENDER, 8"X 20" W/10"X 3/8" LINE
841262	FIRE EXT, DRY CHEM HAND-HELD 10BC 2.75LB
159244	HOOK, ALUM BOAT HOOK
184341	KIT, FIRST AID
184358	KIT, SIGNAL GUN KIT
184408	LIFE VEST, ADULT ORANGE TYPE 2
184366	RING BUOY, RESCUE RING BUOY 20"
187401	ROPE, NYLON 3/8"
187369	ROPE, NYLON DOCKLINE 5/8"X 40'
773457	TUBE, CHART HLD 26.5" "UTILITUBE"
773481	TUBE, SIGNAL KIT 12" "UTILITUBE" W/ORANGE LID

**FORWARD DECK SUN PAD (S)**

837229	FOAM, P/C 450DA SUNPAD FWD DECK WHT 95
--------	--

**220 VOLT / 50 CYCLE ELECTRICAL SYSTEM**

975037	BRKR, IDEA 230V 2P EURO GFCI 16A 10MA WHT
826867	BRKR/TOGGLE, 2-POLE AC MED DELAY 25A
582445	BRKR/TOGGLE, 2-POLE AC MED DELAY 35A
206268	CORD SET, 220V/50H 16A 50FT
802074	GALVANIC ISOLATOR, ZINC SAVER II 30AMP
864686	ICE MAKER, 23 LB WHT W/FLNGE CFC FREE 220V/50
133694	INLET, PHONE/TV CABLE COMBO WHT
206276	INLET, SHORE POWER WHT 220V/50H 16A
916866	MICROWAVE, ELECTROLUX 0.8CF 220V
979930	PANEL, 480DB-98 MAIN DIST 220VAC 50HZ
256305	RECEPTACLE, LEGRAND EXT W/CVR 220/50 GERMAN
902064	RECEPTACLE, SGL GERMAN STD GREY
789636	REFRIGERATOR, 6.3 CF CFC FREE 220V



**220 VOLT / 50 CYCLE ELECTRICAL SYSTEM (continued)**

975011	SWITCH, BLANK IDEA-SERIES WHT
933234	TELEVISION, 21" PHILLIPS MULTI-SYSTEM EURO
931337	TRANSFORMER, 220-12VAC 50VA CBX
1185438	TV/VCR, 14" AIWA
1314384	VACUUM, CENTRAL SYS 220V W/INST KIT #34
818070	VCR, PHILLIPS EURO

**SPARE PROPS ( PAIR ) W/HOLDER**

718973	HOLDER, SPARE PROP SS 2" SHAFT 4-BLADE
1116359	PROP, 22"X 20"X 1.75" L4BC NIBRAL H/S
1116342	PROP, 22"X 20"X 1.75" R4BC NIBRAL H/S

**GENERATOR SOUND BOX**

1084987	SOUND SHIELD, GEN 8KW WSTRBK
---------	------------------------------

**SPARE SHAFT - INSTALLED**

1113646	BRACKET, 450EB-98 SPARE SHAFT SET 3PC
1223445	SHAFT, SS 1.75"X 94.5" AQ22 CAT 3116/340HP

**WATER DELIVERY - INCLUDES SAFETY PKG & FUEL**

456921	CHEMICAL, AQUA MAGWATER ADDITIVE
888826	FENDER, 8"X 20" W/10"X 3/8" LINE
841262	FIRE EXT, DRY CHEM HAND-HELD 10BC 2.75LB
159244	HOOK, ALUM BOAT HOOK
184341	KIT, FIRST AID
184358	KIT, SIGNAL GUN KIT
184408	LIFE VEST, ADULT ORANGE TYPE 2
184366	RING BUOY, RESCUE RING BUOY 20"
187401	ROPE, NYLON 3/8"
187369	ROPE, NYLON DOCKLINE 5/8"X 40'
773457	TUBE, CHART HLDR 26.5" "UTILITUBE"
773481	TUBE, SIGNAL KIT 12" "UTILITUBE" W/ORANGE LID

**COCKPIT TABLE**

398420	BUMPER, NAIL-ON GLIDE 1 1/8"DIA WHT 4PK
1311646	FBRGLS PART, CKPT TBL BASE
1287127	HOLDER, HDPE SPYACHT-00 CKPT TBL DRINK INSERT
198101	MOUNT, LEG/POST FLUSH MT ALUM 76MM(ZWAARDVIS)
198093	POST, TABLE LEG 19"- 32" W/GAS CYL ALUM
198119	SPIDER, LEG/POST MT ALUM (ZWAARDVIS)
1266006	TABLE, RTM 540/550DA-02 CKPT ARW

**LIVE BAITWELL SYSTEM**

531426	ADAPTER, BRZ 3/4"MPT X 3/4"BARB
826578	BRKR/ROCK, SGL-POLE MNL RESET DC 10A RED
168476	BUSHING, PVC 1/2"FPT X 3/4"MPT
123406	CLAMP, HOSE #12 1/2"-1.25" SS
123489	CLAMP, HOSE #24 1"-2" SS
626184	DRAIN, BAITWELL 1.5"ELBOW W/16.5"STANDPIPE
167890	ELBOW, GENOVA 3/4"FPT X 3/4"BARB X 90DEG
168435	ELBOW, PVC 1/2"FPT X 1/2"BARB X 90DEG
858589	ELBOW, PVC 1/2"FPT X 3/4"BARB X 90DEG
762880	FILTER, IN-LINE WATER STRAINER 3/4"FPT RONVC
123810	HOSE, GEN PURPOSE 3/4"
124412	HOSE, PVC CLEAR/WHT W/RED TRACER 5/8"
1058957	HOSE, WATER A/C WHT 5/8"
197368	NIPPLE, PVC 3/4" X CLOSE
1114743	PANEL, 450EB-98 BAITWELL SWITCH
1211846	PUMP, WASHDOWN 3.6GPM-CE PROBTMSTR 30PSI 12V
660415	SCREEN, BAITWELL FOR 1-1.5"STANDPIPE
518431	SEACOCK, BRZ 3/4" W/O TAILPIECE
124610	THRU-HULL, BRZ 3/4"X 5.75"
699959	VALVE, ON-OFF POLY 90DEG AERATOR

**WINDLASS - LOFRANS PROGRESS ( CHAIN )**

525352	ANCHOR SHACKLE, W/SCREW PIN 1/2" SS
1048743	CHAIN STOP, SS W/LANYARD (WINDLINE)
225060	CHAIN, GRADE 40 GALV 5/16" 200'

**AUTOPILOT-RAYTHEON RAYPILOT 650 -SINGLE STA**

791558	AUTO PILOT, RAYPILOT 650 DISPLAY ONLY
852475	AUTO PILOT, RAYPILOT TYPE I CORE PACK
852483	AUTO PILOT, RAYPILOT TYPE I PUMP UNIT
123646	CLAMP, LOOM VINYL DIP #32 2"
810168	CONSOLE MOUNT KIT, VHF REAR (RAYTHEON 202)
1076637	COUPLING, BRASS HYD 3GPM FEMALE W/VALVES
1076629	COUPLING, BRASS HYD 3GPM MALE W/VALVES
1076645	COUPLING, DUST PLUG ONLY FOR FD45 COUPLING
140418	ELBOW, BRASS 90DEG STREET 1/4"
168849	NIPPLE, BRASS 1/4"MPT X 1.5"HEX

**AUTOPILOT-RAYTHEON RAYPILOT 650 -SINGLE STA (continued)**

1167733	PANEL, AUTOPILOT-99 SWITCH BLK
785295	ROD, THREAD 6MM X 40.67CM SS
168807	STEERING, ADAPTER BRASS 1/4"MPT X 3/8"COMP
161927	STEERING, TEE HYDRAULIC (BRASS)
140400	TEE, BRASS STREET 1/4"FPT X 1/4"MPT X 1/4"FPT
990093	TUBING, HYD 3/8" BLK (TELEFLEX)

**C E OPTION GROUP**

123489	CLAMP, HOSE #24 1"-2" SS
123646	CLAMP, LOOM VINYL DIP #32 2"
965954	FERRULE, FUEL LINE 0.650"ID FOR 1/4"A1-ISO
965988	FERRULE, FUEL LINE FOR 1/2"ISO/CE
935015	FIRE EXT SYS, FM200 500CF GAS/DSL-AUTO
172726	HOSE CUFF, 1.5" RH WHT
490219	HOSE, CORR SAN/WATER-FILL 1.5" RH
947473	HOSE, FUEL 3/8" ISO/CE
258509	LABEL, DISCHARGE OF OIL (LEXAN)
934539	LABEL, PREVENT DISCHARGE OF POLLUTANTS
1253616	MANUAL, OWNERS - INT'L 12-LANGUAGE
1102193	PANEL, 560DB-98 MANUAL BILGE PUMP
976431	PLATE, CE OPT B:15PERSON/1815KG
529016	PUMP, BILGE 16GPM MANUAL TWO POS
801563	PUMP, BILGE MANUAL PICKUP/STRAINER
124537	THRU-HULL, PLAS 1.5" WHT
141721	VALVE, DIVERTER 1.5"

**TWIN DISC ELEC.SHIFT & THROTTLE CONTROLS**

715912	CONTROL, TWIN DISC 10' COMM CABLE
715938	CONTROL, TWIN DISC DUAL INSTALLATION KIT
1220870	CONTROL, TWIN DISC PORT
1220862	CONTROL, TWIN DISC STBD W/SYNCH
1220854	CONTROL, TWIN DISC TWIN ENG LEVER ASSY BLK
715979	HARNESS, TWIN DISC ADAPTER
715953	HARNESS, TWIN DISC DUAL ENG 60'
715961	HARNESS, TWIN DISC MAGNETIC P/U 20'
757955	SENDING UNIT, TACH DRV SYNC START .187DIA PIN
757930	SENDING UNIT, TACH SYNC START

**HYDRAULIC MARINE LIFT SWIM PLATFORM SYSTEM**

653238	ACCESS PLATE, PLAS T-HANDLE 6" WHT
1096064	ACCESS PLATE, POLYPROP TWIST-OUT 8" WHT
1149129	BRACING BARS, SWMPLTFM 450EB/460DA/480DB
182360	BRKR, MANUAL RESET KLIXON 150A
130799	CABLE, BATT BLK #2AWG
130781	CABLE, BATT RED #2AWG
1202035	CHOCK, ADJUSTABLE
978809	FUSE HOLDER, BLADE ANL
665877	GEL COAT, WHT (SUMMER)
665885	GEL COAT, WHT ARMORCOTE (SUMMER)
1321819	HARNESS, 400DB/450EB-00 SWIM PLATFORM 64'
124289	HOSE, CONDUIT/SPLIT 3/4" BLK
1096080	INSERT, HDPE TWO/TONE (SEA RAY)
1157056	INSERT, HDPE TWO/TONE NO LOGO
921759	LABEL, DANGER STAY CLEAR OF MOVING PARTS
1087485	LABEL, PLATFORM MAXIMUM CAPACITY 800#
1202001	LIFT ASSY, 450EB/460DA-00 BRKT/ARM W/INFACE
1334499	MANUAL, OWNERS - NAUTICAL LIFT
1323146	PANEL, SWIM PLTFRM SWITCH-00 WHT
1302025	SWITCH, MAIN SOLENOID CONT W/PIGTAIL 12V
1334507	TIE DOWN STRAP, NAUTICAL LIFTS
1217827	TRACK, SWMPLTFM
743625	TRIM, EDGE WHITE MOTOR BOX LARGE

**VITRICOR - CLEAR MAPLE FINISH**

1017318	LABEL, IMPRESSIONS CABINETS - CARE/MAINT
1179019	MICA, 4'X 8'X.030"HAMPTON MAPLE GLOSS
964619	PAINT, LACO MOISTURE HI-GLOSS
1148089	PLASTIC, IMPRESSIONS CLR MAPLE .040"POLYCARB
1151505	PLASTIC, IMPRESSIONS CLR MPL .060"4X8 H/C
1004506	SEALANT, CAULK ACRYLIC CEDAR

**VITRICOR - SOVEREIGN CHERRY FINISH**

1017318	LABEL, IMPRESSIONS CABINETS - CARE/MAINT
968206	MICA, 4'X 8'X.030"HAMPTON CHERRY
597369	OAK, MOLD BATTEN 3/8"X 1.25"X 80"
964619	PAINT, LACO MOISTURE HI-GLOSS
970889	PLASTIC, IMPRESSIONS SOV CHERRY .040"POLYCARB
970475	PLASTIC, IMPRESSIONS SOV CHERRY .060" 4X8 H/C
997288	SEALANT, SILICONE REDWOOD ACRYLIC LATEX
952036	STAIN, CHERRY

**MANUAL BILGE PUMP**

184101	ADAPTER, PVC 1.5"OD X 1.5"ID SLIP
627851	BUSHING, PVC 2.5"M SLIP X 1.5"FM SLIP
123661	CLAMP, LOOM VINYL DIP 1"
268797	ELBOW, PVC 1.5"F SLIP X 1.5"M SLIP X 90DEG
172726	HOSE CUFF, 1.5" RH WHT
1102193	PANEL, 560DB-98 MANUAL BILGE PUMP
604959	PUMP, BILGE 16GPM MANUAL THRU DECK MNT
801563	PUMP, BILGE MANUAL PICKUP/STRAINER
842054	TEE, PVC 2.5"FM SLIP ALL THE WAY
141721	VALVE, DIVERTER 1.5"

**AFT COCKPIT FULL BENCH SEAT & STORAGE BELOW**

732792	BRACKET, SS GAS CYL 90DEG 2.062" W/STUD
634550	BRACKET, SS GAS CYL 90DEG L-BRKT W/BALL LONG
1247006	CANVAS, 450EB-00 CKPT SEAT CVR TST
140244	CATCH, SGL ROLLER WHT NYLON W/STRIKE LRG
826305	CYLINDER, GAS 40PSI 20"EXT X 12"COMP
1150754	FOAM, P/C 450EB-98 OPT SEAT W/STRG
1086149	FOAM, P/C 480DB/540CMY/560DB CKPT (OPT BENCH)
665885	GEL COAT, WHT ARMORCOTE (SUMMER)
140087	HINGE, LOOSE PIN CHROME
775874	HINGE, SS CONT 2"X 36" POLISHED
726893	PROBOARD, 1/2"X 4'X 8' GREY
743625	TRIM, EDGE WHITE MOTOR BOX LARGE

**GEN. WESTERBEKE DIESEL - 10.0KW -120V/60**

1332998	GENERATOR, 10.0 BTD DSL WSTRBK N/GAUGS W/CONN
---------	---

**LYNX-OPT.INTERIOR SEATING**

1141787	VINYL, EMPIRE II LYNX EXP FLAT
---------	--------------------------------

**RADAR R41XX /601XX CHART PLOTTER-SINGLE STA**

1145077	BRACKET, 450EB-98 RADAR SUPPORT PDRCT
511972	BRACKET, RADAR W/INSTALL
1055789	CHART PLOTTER, RAYCHART 601XX C-MAP NT
810168	CONSOLE MOUNT KIT, VHF REAR (RAYTHEON 202)
1076637	COUPLING, BRASS HYD 3GPM FEMALE W/VALVES
1076629	COUPLING, BRASS HYD 3GPM MALE W/VALVES
1076645	COUPLING, DUST PLUG ONLY FOR FD45 COUPLING
881383	GASKET, GLOMAX TV GPS MOUNT BLK
897025	INTERFACE BOX, FOR RAYTHEON RC-XX-RP
1126226	LABEL, DANGER NO LOOKING DIRECTLY INTO RADOME
168849	NIPPLE, BRASS 1/4"MPT X 1.5"HEX
1156991	RADAR, CABLE 15METER ARCH INTER-UNIT
788356	RADAR, RAYTHEON R41XX ARRAY
788331	RADAR, RAYTHEON R41XX DISPLAY UNIT
788349	RADAR, RAYTHEON R41XX PEDESTAL
533430	VENT, CLAMSHELL ROPE LCKR 2"X2"

**FLUSH MOUNT FLOOD LIGHTS IN FIBERGLASS ARCH**

815019	BOOT, REPL FOR #0814004 DOCKING LTS
821249	BULB, REPL FOR #0814004 DOCKING LTS
814004	LIGHT, DOCKING FLUSH MT 12V/55W

**BOSE LIFESTYLE STEREO SYSTEM - 120V/60**

956078	ADAPTER, STEREO FEMALE/FEMALE
449587	BATTERY, AA 1.5V
180463	BOX, RECEPTACLE HANDY DUPLEX METAL
736629	CABLE, RCA AUDIO 6' W/EFX-2 CONN
940163	CABLE, STEREO 3' ADAPTER
145078	COVER PLATE, SGL DUPLEX RECEPT BRN
145094	RECEPTACLE, DUPLEX BRN 15A
1227495	SPEAKER, ACOUSTIMAS 3 SERIES CUBE BLK 120
1227511	SPEAKER, ACOUSTIMAS 3 SERIES INPUT CORD
1227529	SPEAKER, ACOUSTIMAS 3 SERIES PWR SUBWFR/CORD
1227537	SPEAKER, ACOUSTIMAS 3 SERIES SPKR WIRE
917617	SPEAKER, WALL MNT BRACKET BLK
1227594	STEREO, LIFESTYLE 20 AM ANTENNA
1227610	STEREO, LIFESTYLE 20 AUDIO INPUT CORD
1227578	STEREO, LIFESTYLE 20 CD CARTRIDGE
1227545	STEREO, LIFESTYLE 20 FM ANTENNA
1227602	STEREO, LIFESTYLE 20 PWR SUBWFR W/CORD
1227552	STEREO, LIFESTYLE 20 RECEIVER-HEAD W/PWR PACK
1227560	STEREO, LIFESTYLE 20 SPKR CORD
1227586	STEREO, LIFESTYLE 20/30/35/50 CUBE SPKR
914309	STEREO, REMOTE CONTROL BOSE LIFESTYLE 120V

**BOSE LIFESTYLE STEREO SYSTEM - 220V/50**

956078	ADAPTER, STEREO FEMALE/FEMALE
449587	BATTERY, AA 1.5V

**BOSE LIFESTYLE STEREO SYSTEM - 220V/50 (continued)**

180463	BOX, RECEPTACLE HANDY DUPLEX METAL
736629	CABLE, RCA AUDIO 6' W/EFX-2 CONN
940163	CABLE, STEREO 3' ADAPTER
145078	COVER PLATE, SGL DUPLEX RECEPT BRN
145094	RECEPTACLE, DUPLEX BRN 15A
1057785	SPEAKER, ACOUSTIMAS 3 SERIES III BLK 220V
917617	SPEAKER, WALL MNT BRACKET BLK
914275	STEREO, L/S 20 MUSIC SYS BOSE DUAL BLK
914309	STEREO, REMOTE CONTROL BOSE LIFESTYLE 120V

**WINDLASS CAPSTAN**

1255140	WINDLASS, RP/CHN PROGI STD W/CPSTN
---------	------------------------------------

**BUFF ULTRALEATHER UPGRADE ( SUGGEST A & C )**

1004050	FABRIC, ULTRALEATHER BUFF #3609
---------	---------------------------------

**MILKWEED ULTRALEATHER UPGRADE (SUGGEST B&D)**

1228352	FABRIC, ULTRALEATHER MILKWEED #3455
---------	-------------------------------------

**RADAR - RAYTHEON R70RC**

1301365	FLUSH MOUNT KIT, RADAR (RAYTHEON) REAR
1314889	GPS, RAYSTAR 112LP SENSOR W/QUICK DISC SEATLK
1301357	RADAR, RAYTHEON 4KW DOME ANT W/15 METER CABLE
1300847	RADAR, RAYTHEON R70RC DISP UNIT W/CHARTPLOT

**RAYTHEON 750 FISH FINDER**

1300771	CABLE, 750FF ADAPTER
743054	EXTENSION, CABLE 10' TRANS RAYTHEON
1300748	FAIRING BLOCK, FISHFINDER TRANSDUCER
1300821	FLUSH MOUNT KIT, L750 (RAYTHEON)
1298058	PANEL, 450EB-00 GAUGE CAT/CUMMINS A/F W/O MFI
1300722	RADAR, RAYTHEON L750 FISHFINDER DISPLAY UNIT
1300730	TRANSDUCER, 750FF LONG STEM BRZ RAYDATA