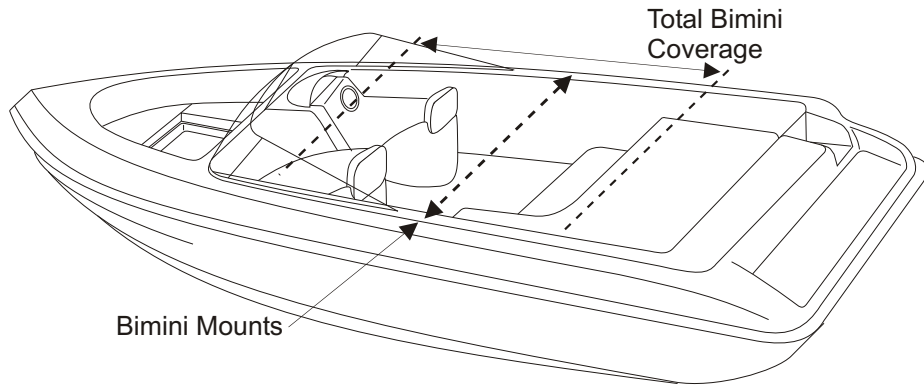
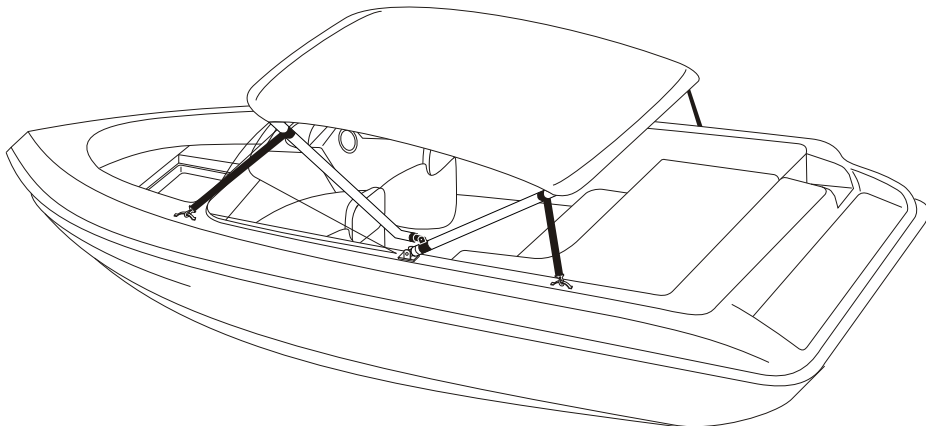


Westland

Bimini Top Installation Instructions



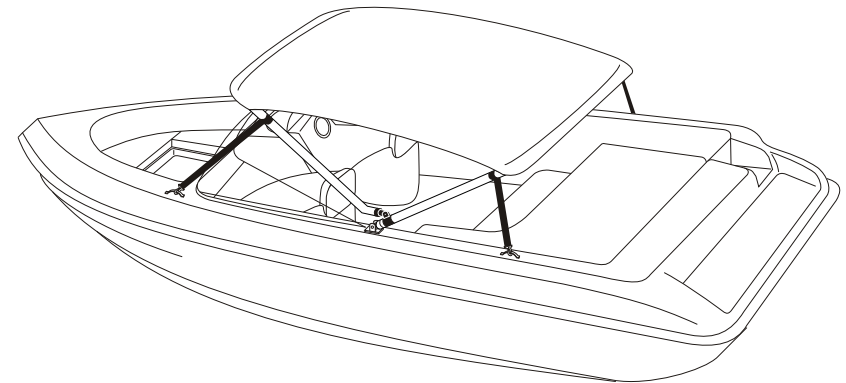
9 Determine what area of boat you want to cover and where to mount the bimini. Bimini mount locations are approximately half the distance of the total length of the bimini. Measure where you want to place mounts and mark them. Make sure the mounts are parallel to each other. Use a 9/64" drill bit to make holes for #8 1" mounting screws. Screw in mounts. Determine best position for hold down strap eyes. They should be put onto a flat surface whenever possible and straps should maintain an angle between 30 and 60 degrees. Drill holes for eyes using 9/64" bit and secure eyes to boat with #8 1" screws provided.



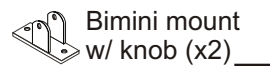
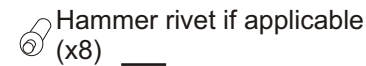
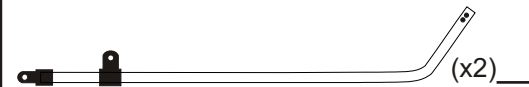
10 It is much easier to install the assembled bimini with two people, one to hold each side while positioning it onto mounts. Secure bimini to mounts with screws provided. Adjust hold down straps and bow straps to achieve desired tightness. If you have any questions or additional parts are needed for your specific boat application, please call (800) 874-6824.

Westland

2-Bow Bimini Assembly Instructions



Package Contents



Important!

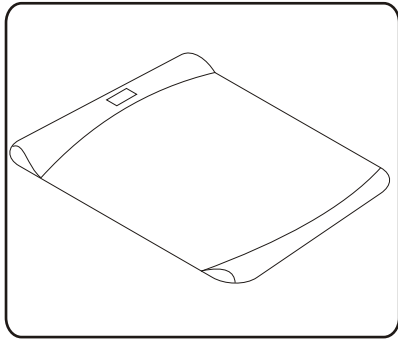
Each bow part is labeled with a number. For example:

####12

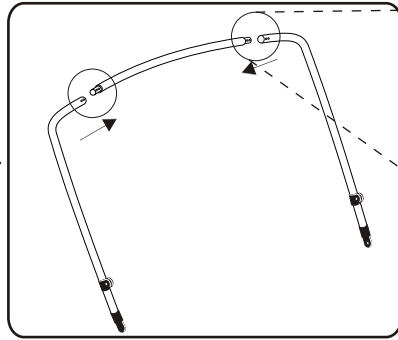
All bow parts in your bimini will have the same first four numbers. The fifth number determines the *bow number*, in this example bow 1. When assembling each bow keep corresponding *bow numbers* together, such as all 1's together, all 2's together, etc. This will help you identify which bow the pieces belong to. The last number relates how the bow parts go together. For bow 1, 11 goes into 12, 12 goes into 13, etc. For bow 2, piece 21, goes into 22, 22 goes into 23, etc.

If your bimini is missing any of these parts, contact Westland Industries customer support center at (800) 756-6099. Packed by: _____

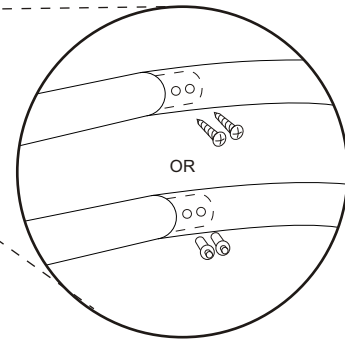
Westland Industries is not responsible for any injuries to persons or damages to the boat during assembly and installation of this product. Installation of this product may void your boat warranty, check with your dealer. Replace any worn parts to increase the life of your product.



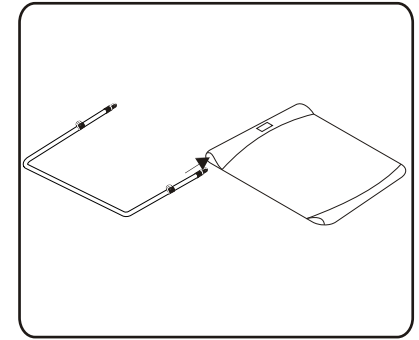
1 Lay bimini fabric face down on a flat surface (*label on rear sleeve will be facing up*).



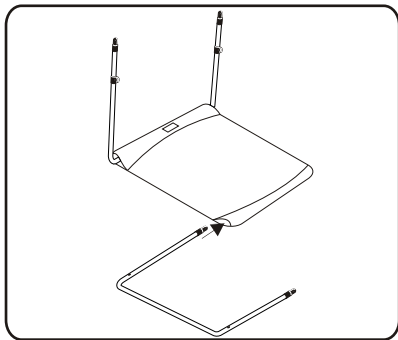
2 Assemble pieces of bow one by connecting pieces . . .



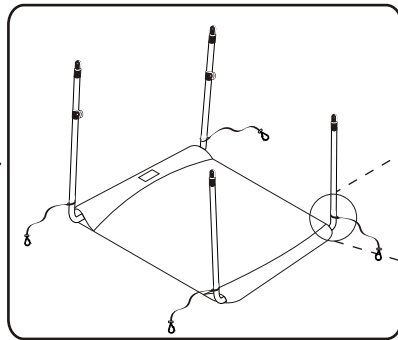
3 . . . and inserting screws (or hammer rivets) as shown. Repeat steps 2 and 3 for other bow.



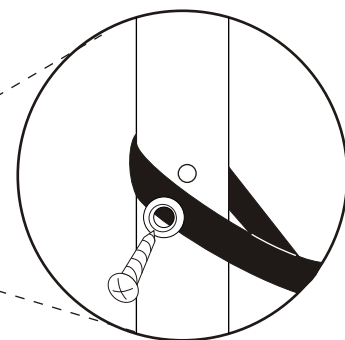
4 Thread bow one through rear sleeve of fabric. Jaw slides will face toward center of fabric.



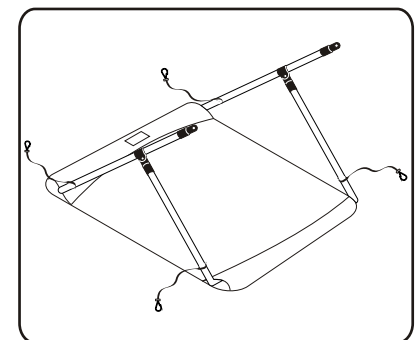
5 Thread bow two through front sleeve of fabric. Holes in bow should face toward the center of fabric.



6 Pass looped end of hold down strap over end of bow. Repeat for all bow ends . . .



7 . . . and secure each strap with screws.



8 Connect bow two ends to jaw slides of bow one and secure with screws.