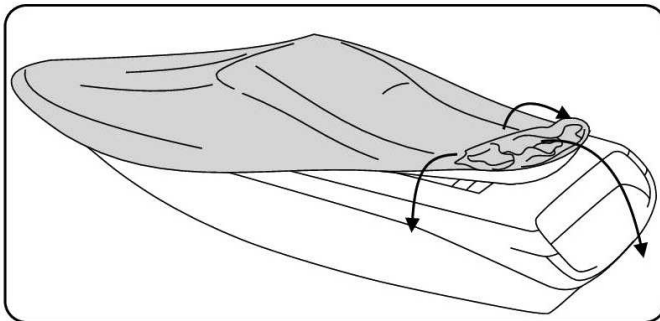


Westland

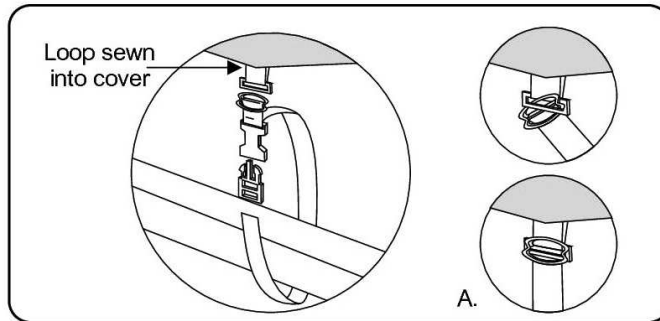
Boat Cover Installation Instructions



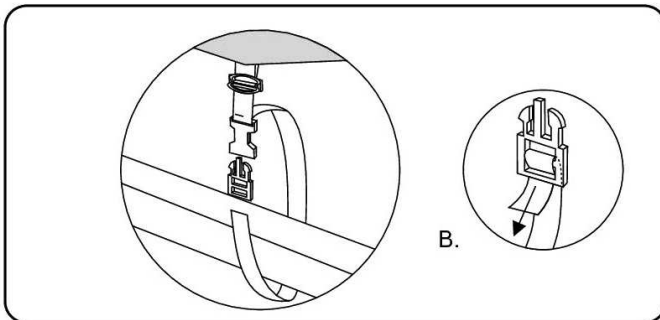
<http://RNR-Marine.com>



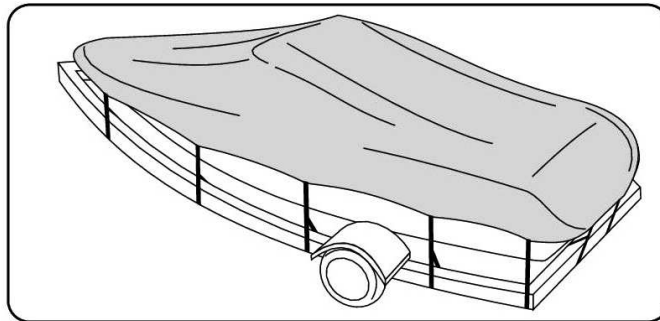
1 Start by placing the bow end of the cover over the front end of the boat. Unroll the cover working towards the rear of the boat while unfolding out to the sides. On custom covers be sure to cinch and tie ropes and install vents, poles, or other accessories.



2 Attach straps to cover by sliding the buckle of strap through the loop sewn on cover as shown in figure A above (make sure to slide it through from the back so the buckle does not rub against the boat).



3 Loop the strap down around the trailer frame and back up to the plastic side-release buckle. Thread the strap through the top of the buckle and then through the bottom as shown in figure B above. Repeat for all straps on both sides of the boat.



4 Cinch the straps down tight enough so the cover is held taut. Any portion of the strap which is left loose to flap around when trailering will whip against the hull and potentially cause damage. To insure this does not happen, periodically check the straps during the hauling cycle.

Universal Non-Trailerable covers do not come with strap kit. Exact and Select Trailer-ready covers come with twelve (12) straps included in each box. However, the loop placement doesn't always allow for straps to be used in some areas of your trailer (i.e. around the wheel wells). It is acceptable to leave certain loops without a strap to attach to the trailer. If you feel additional straps are needed for your application please order through <http://RNR-Marine.com/Purchase.php?product=Boat-Cover-EF-Tie-Down-Strap-Kit>

Please call Westland Customer Service department at 1-800-835-7992 for all warranty issues.