

# **2005 240SD**

# **PARTS MANUAL**

# **240**

# **SUNDECK®**



Sea Ray® Parts Manual, 2005 240 SUNDECK MRP # 1772964

Sea Ray Boats, 2600 Sea Ray Blvd., Knoxville, TN 37914. For information call 1-800-SRBOATS or fax 1-314-213-7878 (USA and International).

Internet address: <http://www.searay.com>

Note: Not all accessories shown in pictures or described herein are standard equipment or even available as options.

Options and features are subject to change without notice.

Confirm the availability of all accessories and equipment with an authorized Sea Ray® dealer.

# 2005 240 SUNDECK

## TABLE OF CONTENTS

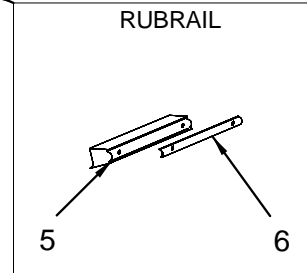
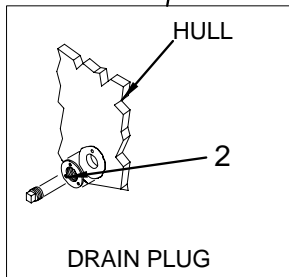
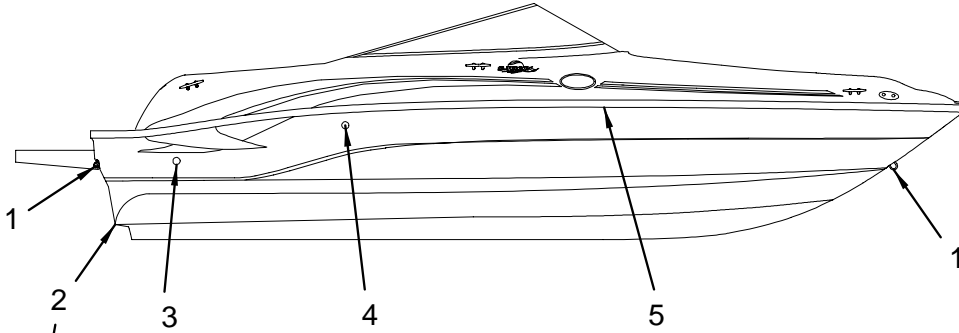


<u>STANDARD &amp; OPTIONAL LAYOUTS</u>	<u>PAGE</u>
EXTERIOR (HULL) .....	1, 2
EXTERIOR (DECK) .....	3, 4, 5
WATER SPORTS TOWER .....	6, 7
EXTERIOR (GRAPHICS) .....	8
CANVAS (RED) .....	9, 10
CANVAS (BLUE) .....	11, 12
CANVAS (GREEN) .....	13, 14
CANVAS (BLACK) .....	15, 16
CANVAS (CHARCOAL) .....	17, 18
COCKPIT .....	19, 20
COCKPIT (HELM) .....	21, 22
INSTRUMENT PANEL .....	23, 24
SWITCH PANEL .....	25
POWER TRIM AND TRIM TAB SWITCH PANEL .....	26
SATELLITE STEREO SYSTEM .....	27
COCKPIT (UPHOLSTERY) .....	28, 29
COCKPIT (SNAP-IN CARPET LINER) .....	30
HEAD .....	31, 32
MULTI-INFO PACKET .....	33
TELLICO HARDWARE .....	34, 35
BILGE .....	36, 37
STEERING SYSTEM .....	38, 39
FUEL SYSTEM .....	40, 41
WATER SYSTEM .....	42, 43
SEWAGE SYSTEM (PUMP-OUT HEAD) .....	44
SEWAGE SYSTEM (VACUUM FLUSH HEAD W/HOLDING TANK) .....	45, 46
DRAINAGE SYSTEM .....	47, 48

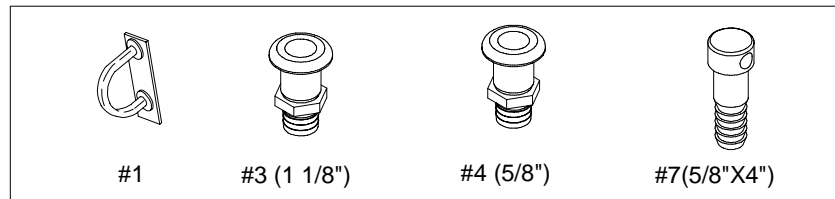
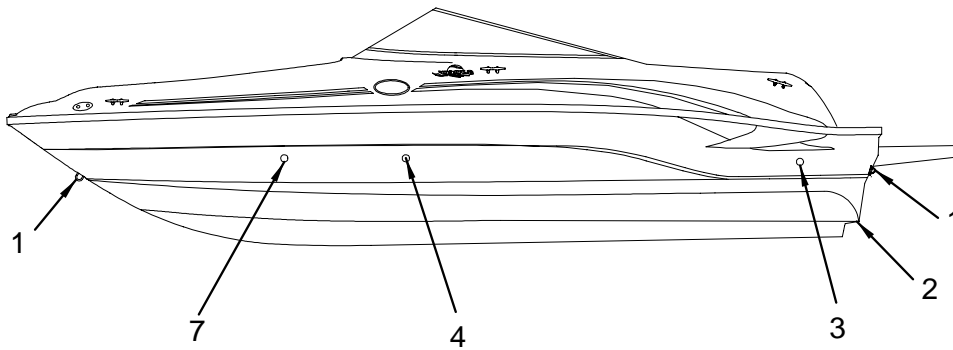
<u>OPTIONS - PARTS LIST</u>	<u>PAGE</u>
350 MAG MPI BR 3 ( 300 PHP ) MCM STERN DR. ....	49
MX 6.2L MPI BR 3 (320 PHP) MCM STERN DRIVE .....	49
5.0L MPI BR 3 ( 260 PHP ) MCM STERN DRIVE .....	49
TWO BUCKET SEATS W/ SUN LOUNGER SEATING PKG. ....	49
2ND STEREO REMOTE CONTROL -TRANSOM .....	49
PREMIER STEREO UPGRADE W/ AMP & SUBWOOFER .....	49
WAKE BOARD RACKS (MUST ORDER SPORTS TOWER) .....	49
STEERING WHEEL - VESSEL CONTROL SYSTEM .....	49
INTERNATIONAL VINYL PACKAGE .....	49
24" BRAVO 3 SET (2 COUNTER ROTATING PROPS) .....	49
26" BRAVO 3 SET (2 COUNTER ROTATING PROPS) .....	49
PUMP-OUT HEAD .....	49
VACUUM FLUSH HEAD W/HOLDING TANK .....	49
CHARCOAL CANVAS OPTION .....	49
FM-200 OPT. FIRE SUPPRESSION SYS-CAN.& AUS. ....	49
TWO TONE GELCOAT GRAPHICS .....	49
SIRIUS SATELLITE RADIO .....	49
SPEAKERS FOR WATER SPORTS TOWER .....	50
BATTERY ON / OFF SWITCH .....	50
WATER SPORTS TOWER W/ STD BIMINI TOP .....	50
FIRE SUPPRESSION SYSTEM - AUTOMATIC .....	50
BATTERY SWITCH-DUAL W/ 2ND TRAY SINGLE ENG. ....	50
COCKPIT COVER W/ TONNEAU COVER .....	50
BIMINI CANVAS PACKAGE .....	50
TRANSOM TRIM SWITCH .....	50
CD CHANGER, 6 DISC .....	50
***** .....	50
C E OPTION GROUP .....	50
C E FIRE SYSTEM - EUROPEAN DEALERS ONLY .....	50
2.43 TO 1 BRAVO 3 HIGH ALTITUDE GEAR RATIO .....	50
FORWARD BIMINI TOP & BOOT .....	50
OWNER ORIENTATION VIDEO - PAL FORMAT .....	50
FORWARD COCKPIT TABLE .....	50
BOW FILLER CUSHION (S) .....	50
CANADIAN CONFORMITY STICKER .....	50
WATER SPORTS TOWER W/WAKEBOARD RACKS .....	50

EXTERIOR (HULL)

STARBOARD SIDE



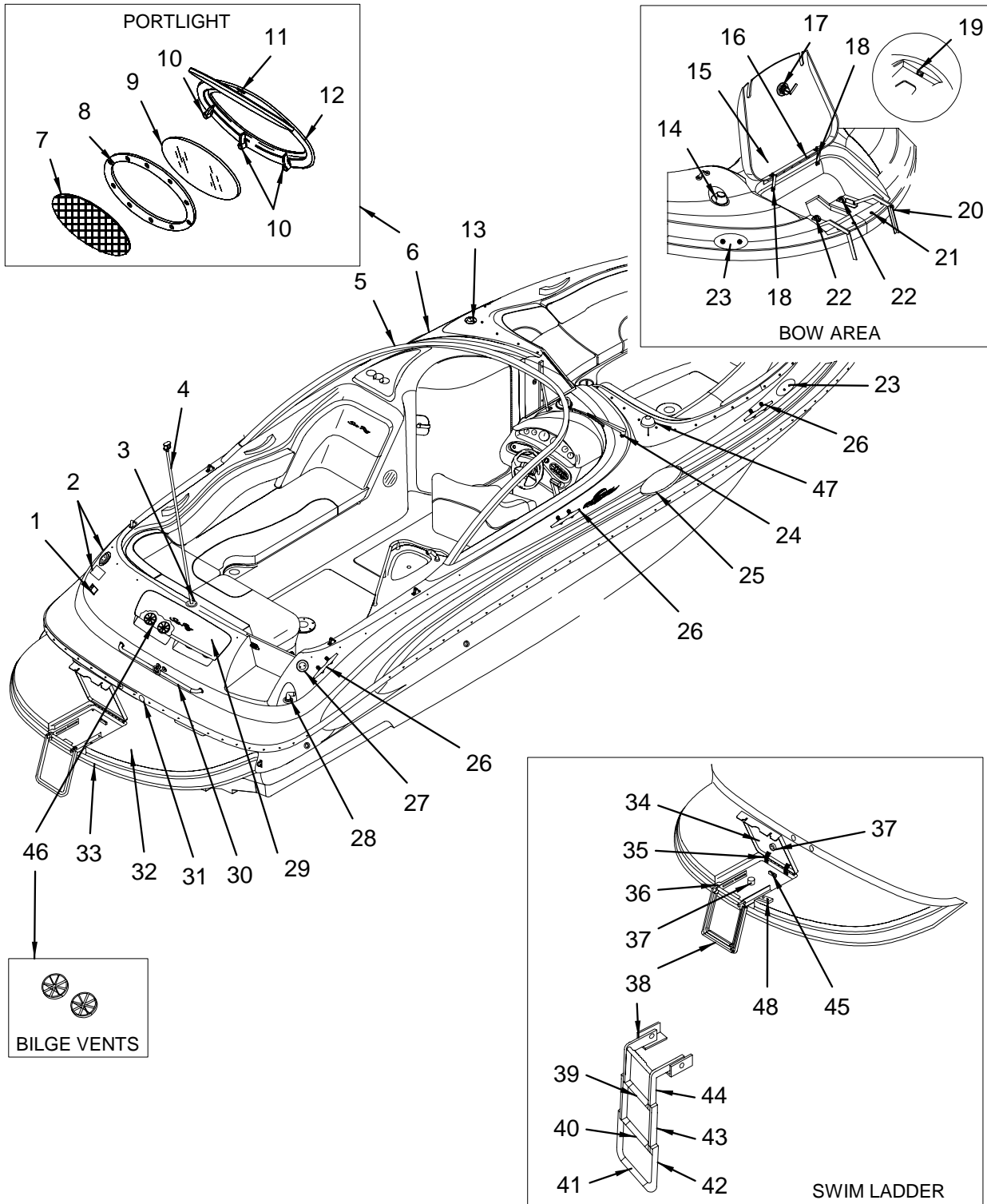
PORT SIDE



**EXTERIOR (HULL)**

- 1 126599 EYE, STERN 1/2"X 3 7/16" W/BACKING PLATE
- 1473040 PLATE, BACKING UNIVERSAL 3/16"
- 2 1690996 FLANGE, RED BRASS DRAIN PLUG 1.25"
- 3 1778931 THRU-HULL, SS 1 1/8"BARB SHORT W/RBR GASKET  
**(BILGE PUMP AND DECK DRAINS)**
- 1524644 GASKET, THRU-HULL 1 29/32" OD
- 4 1778933 THRU-HULL, SS 5/8"BARB SHORT W/RBR GASKET  
**(ENTERTAINMENT CTR & HEAD SINKS)**
- 1524677 GASKET, THRU HULL 1 29/64" OD
- 5 1784879 RUBRAIL, PVC PEARL 20'SS INSERT 1.825"WIDE
- 6 1080100 INSERT, RUB RAIL SS 3/4"X 12' (.062/304SS)
- 7 1777214 VENT, FUEL/WATER SS 5/8" FLSH STRAIGHT  
**(PUMP OUT HEAD)**  
**(VACUUM FLUSH HEAD W/HOLDING TANK)**

EXTERIOR (DECK)

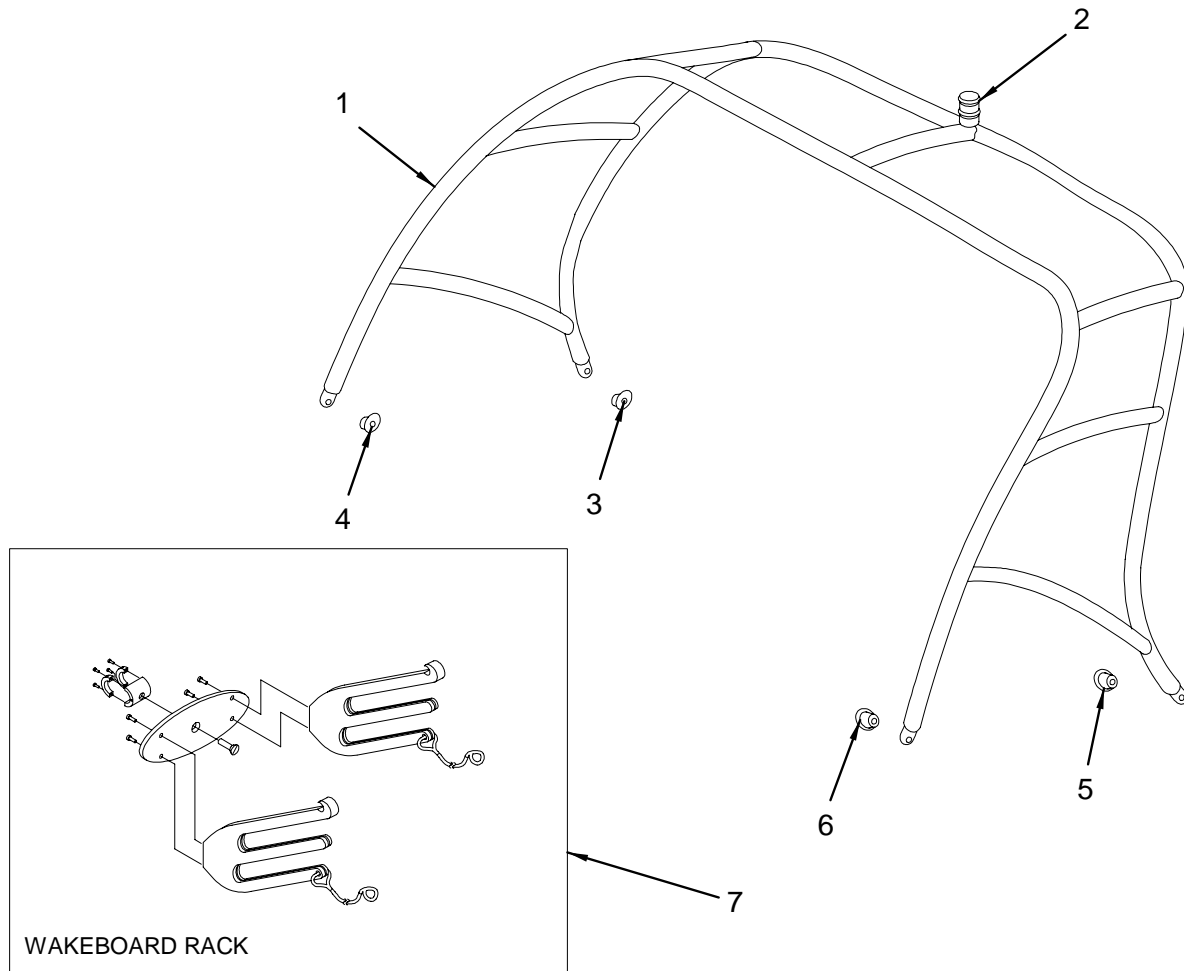




**NOT SHOWN (continued)**

1312750 CABLE, CLARION REMOTE EXTENSION CABLE 24'  
1755469 STEREO, REMOTE CNTRL W/DIG DSPLY FOR XMD3 BLK  
935080 CABLE, CLARION DUAL REMOTE "Y"

**WATER SPORTS TOWER**



**WATER SPORTS TOWER**

- 1 1781321 TOWER, 240SD-05 ALUM WTR SPRTS W/STERN LIGHT (HULL#3006->UP)
- 1796292 TOWER, 240SD-05 ALUM TOWER W/LT & SPKR (SPEAKERS FOR WATER SPORTS TOWER)
- 1756513 TOWER, 240SD-04 WTR SPRTS HDWR KIT (SEE HARDWARE FOR SEPARATE COMPONENTS)
- 1793145 TOWER, 270SD-05 WTR SPRTS HDWR KIT (SEE HARDWARE FOR SEPARATE COMPONENTS) (SPEAKERS FOR WATER SPORTS TOWER)
- 1747881 TOWER, 240SD-04 ALUM WTR SPRTS (HULL#3001->3005)
- 1792995 LIGHT, ASSY WTR SPRTS TWR
- 2 1773140 SKI TOW ASSY, SUNDECK SPRT BOAT WTR TOWER
- 3 1773141 TOWER, SUNDECK SPRT BOAT PAD ASSY STB AFT
- 1762805 SCREW, CAP 3/8" SCH UNC WTR SPRTS TWR
- 1762804 WASHER, WATER SPORTS TWR LEG NYLON
- 4 1773142 TOWER, SUNDECK SPRT BOAT PAD ASSY STB BOW
- 1762805 SCREW, CAP 3/8" SCH UNC WTR SPRTS TWR
- 1762804 WASHER, WATER SPORTS TWR LEG NYLON
- 5 1773143 TOWER, SUNDECK SPRT BOAT PAD ASSY PRT AFT
- 1762805 SCREW, CAP 3/8" SCH UNC WTR SPRTS TWR
- 1762804 WASHER, WATER SPORTS TWR LEG NYLON
- 6 1773144 TOWER, SUNDECK SPRT BOAT PAD ASSY PRT BOW
- 1762805 SCREW, CAP 3/8" SCH UNC WTR SPRTS TWR
- 1762804 WASHER, WATER SPORTS TWR LEG NYLON

- 7 1783635 SUPPORT, SR-05 ALUM WAKEBOARD RACK ANODIZED (INDIVIDUAL COMPONENTS NOT SOLD SEPARATELY AT THIS TIME)
- 1443191 EMBLEM, S/R WAVE 5" OVAL CHR TRNSM

**HARDWARE**

- 1747371 BOLT, WATER SPORTS TWR 1/4-20-3" (WATER SPORTS TOWER W/WAKEBOARD RACKS) (SPEAKERS FOR WATER SPORTS TOWER)
- 1784031 GASKET, WTR SPORTS TWR OVAL (WATER SPORTS TOWER W/WAKEBOARD RACKS) (SPEAKERS FOR WATER SPORTS TOWER)
- 1747372 NUT, NYLON LOCK 1/4-20 WTR SPRTS TWR (WATER SPORTS TOWER W/WAKEBOARD RACKS) (SPEAKERS FOR WATER SPORTS TOWER)
- 1762807 PLATE, BACKING WTR SPRTS TWR SR (WATER SPORTS TOWER W/WAKEBOARD RACKS) (SPEAKERS FOR WATER SPORTS TOWER)
- 1747373 WASHER, WATER SPORTS TWR 1/4-20 FENDER (WATER SPORTS TOWER W/WAKEBOARD RACKS) (SPEAKERS FOR WATER SPORTS TOWER)
- 1762807 PLATE, BACKING WTR SPRTS TWR SR (SPEAKERS FOR WATER SPORTS TOWER)
- 1784031 GASKET, WTR SPORTS TWR OVAL (SPEAKERS FOR WATER SPORTS TOWER)

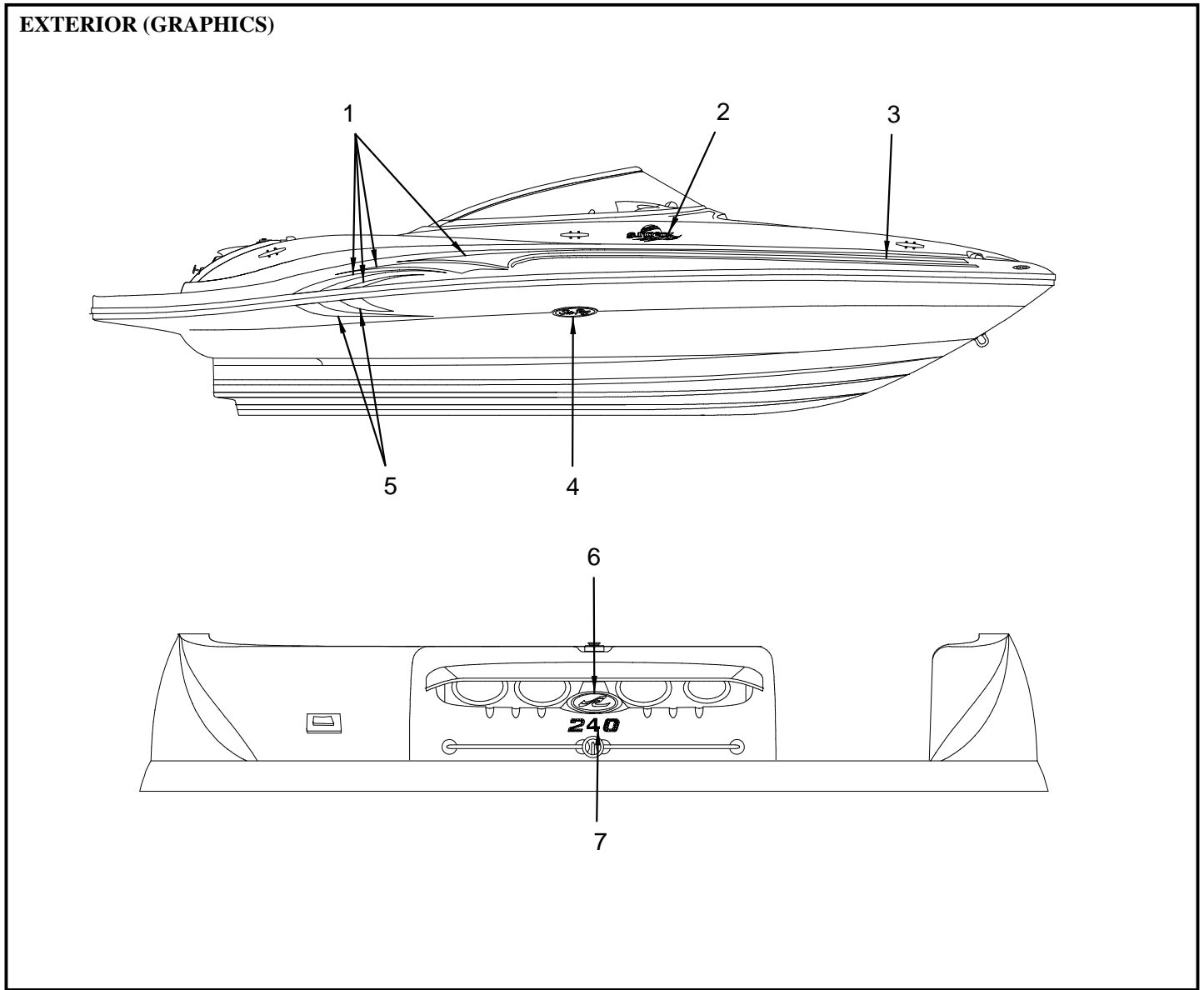


**LABELS**

1745125 LABEL, SKI TOW ROPE BACKLASH

**NOT SHOWN**

1786803 HARNESS, TOWER 87"  
126870 VENT, CLAMSHELL ROPE LCKR 1 5/8"X 1.5"  
1785695 VINYL FILM, 240SD-05 PLAS CVR W/VENTS W/TWR  
1790333 SPEAKER, TOWER 6100 INFINITY W/AMP-MIC  
(SPEAKERS FOR WATER SPORTS TOWER)  
1801814 STEREO, AMP F/INF-6100M (#1790333)  
(SPEAKERS FOR WATER SPORTS TOWER)



**EXTERIOR (GRAPHICS)**

- 1 1779898 TAPE, APP 240SD-05 SLVRMET/BLK STB DECK
- 1779899 TAPE, APP 240SD-05 SLVRMET/BLK PRT DECK
- 2 1779890 TAPE, LOGO SUNDECK URETH BLK/CHR
- 3 1779891 TAPE, M/S 1.5"W1/4"VOID SLVRMET/BLK
- 4 1443183 EMBLEM, "SEA RAY" SCRIPT HULL LOGO CHR 13"
- 5 1779896 TAPE, APP 240SD-05 SLVRMET/BLK STB HULL
- 1779897 TAPE, APP 240SD-05 SLVRMET/BLK PRT HULL
- 6 1443191 EMBLEM, S/R WAVE 5" OVAL CHR TRNSM
- 7 1523364 EMBLEM, MODEL DESG 240 PRO URETHANE BLK W/CHR

**GELCOATS (continued)**

- 1784621 GEL COAT, NEW PEWTER ARMORCOTE (DASH GEL)
- 1452861 GEL COAT, PEARL AIR-DRY (BILGE)

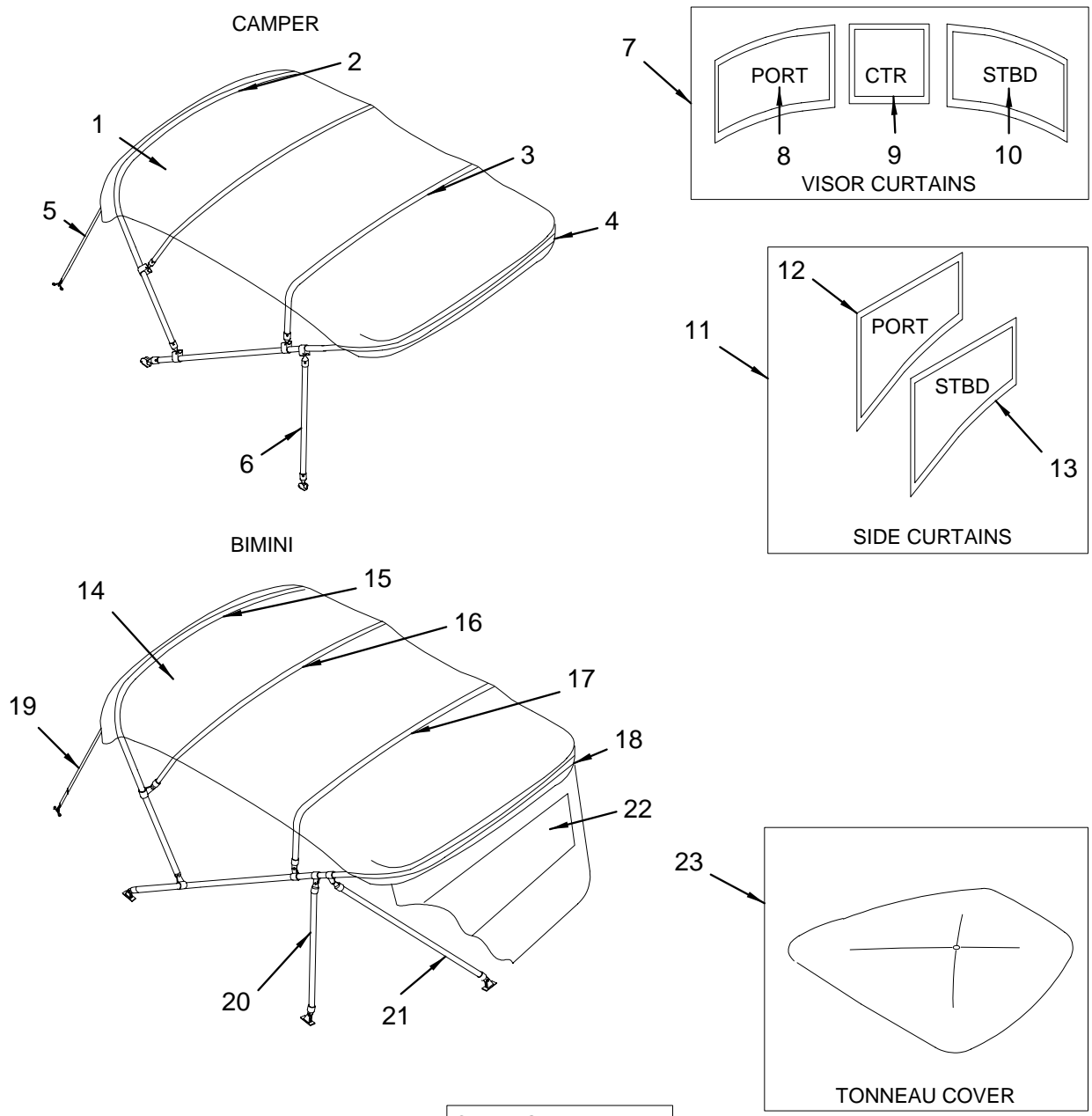
**NOT SHOWN**

- 1782379 GRAPHICS KIT, 240SD-05 SLVRMET/BLK
- 1690443 TAPE, SOLID 3/8" PRL (TWO TONE GELCOAT GRAPHICS)

**GELCOATS**

- 1753670 GEL COAT, NICKLE ARMORCOTE
- 1558469 GEL COAT, MAXGUARD LE PEARL
- 1687628 GEL COAT, MAXGUARD MIDNIGHT BLUE (TWO-TONE GELCOAT GRAPHICS)
- 1310424 GEL COAT, HNTR GRN (TWO-TONE GELCOAT GRAPHICS)
- 1690845 GEL COAT, JET BLK (TWO-TONE GELCOAT GRAPHICS)
- 1791044 GEL COAT, VIBRANT YELLOW (HULL#3543->UP) (TWO-TONE GELCOAT GRAPHICS)
- 1690266 GEL COAT, YELLOW ARMORCOTE (HULL#3001->3542) (TWO-TONE GELCOAT GRAPHICS)
- 1690265 GEL COAT, RED ARMORCOTE (TWO-TONE GELCOAT GRAPHICS)

CANVAS (RED)



CANVAS HARDWARE

END CAP	JAW SLIDE	PLASTIC REPLACEMENT INSERT	PULL PIN	PULL PIN W/LANYARD	RADIUS HINGE	SIDE SPACER	STRAIGHT HINGE	STRAP EYE
24	25	26	27	28	29	30	31	32

**CANVAS (RED)**

1	1753500	CANVAS, 240SD-04 CAMP TOP RED
	1753501	CANVAS, 240SD-04 CAMP TOP BOOT W/EMB RED
	1772243	CANVAS, 240SD-04 CAMP TOP BOWS W/HDWR
	1772245	CANVAS, 240SD-04 CAMP TOP HDWR MNT PKG
2	1772246	CANVAS, 240SD-04 CAMP TOP BOW2 N/HDWR
3	1772250	CANVAS, 240SD-04 CAMP TOP BOW3 N/HDWR
4	1772244	CANVAS, 240SD-04 CAMP TOP MAIN BOW N/HDWR
5	1776635	CANVAS, 240SD-04 CAMP TOP FWD STAN/STP
6	1772252	CANVAS, 240SD-04 CAMP TOP REAR SUPPORT POLE
7	1780203	CANVAS, 240SD-05 VISOR CURT 3PC CLR/RED
8	1784280	CANVAS, 240SD-05 VISOR CURT PRT CLR/RED
9	1784282	CANVAS, 240SD-05 VISOR CURT CTR CLR/RED
10	1784283	CANVAS, 240SD-05 VISOR CURT STB CLR/RED
11	1780206	CANVAS, 240SD-05 SIDE CURT SET W/SNPS RED
12	1784284	CANVAS, 240SD-05 SIDE CURT PRT RED
13	1784285	CANVAS, 240SD-05 SIDE CURT STB RED
14	1753491	CANVAS, 240SD-04 BIM TOP RED
	1753492	CANVAS, 240SD-04 BIM TOP BOOT W/EMB RED
	1770062	CANVAS, 240SD-04 BIM TOP BOWS W/HDWR
	1770061	CANVAS, 240SD-04 BIM TOP HDWR MNT PKG
15	1770063	CANVAS, 240SD-04 BIM TOP BOW2 W/HDWR
16	1770064	CANVAS, 240SD-04 BIM TOP BOW3 N/HDWR
17	1770065	CANVAS, 240SD-04 BIM TOP BOW4 N/HDWR
18	1770060	CANVAS, 240SD-04 BIM TOP MAIN BOW N/HDWR
19	1776632	CANVAS, 240SD-04 BIM TOP FWD STANCHION/STRAP
20	1770067	CANVAS, 240SD-04 BIM TOP REAR STANCH 32.5"ADJ
21	1770066	CANVAS, 240SD-04 BIM TOP SWAY POLE
22	1753496	CANVAS, 240SD-04 AFT CURT W/SNPS RED
23	1753499	CANVAS, 240SD-04 TONNEAU CVR W/SNPS RED
	1753503	CANVAS, 240SD-04 TONNEAU CVR W/CAMP/SNPS RED
	148429	POLE, TONNEAU COVER SUPPORT ADJ
24	1760354	CAP, SS EYE END BALL/SOCKET TYPE
25	1760355	SLIDE, JAW SLIDE BALL/SOCKET TYPE SS
	1760596	SCREW, SLOT PAN BALL/SOCKET JAW SLIDE
26	1760358	INSERT, DECK HINGE BALL/SOCKET BLK
27	1357854	PIN, PULL 1.25" TOGGLE W/RING LNYRD SPRING SS
28	1760595	PIN, PULL BALL/SOCKET TYPE W/RING LNYRD BLK
29	1760357	HINGE, DECK RADIUS BALL/SOCKET TYPE SS
30	580688	SPACER, SIDE CURTAIN 7/8"
31	1760356	HINGE, DECK FLAT BALL/SOCKET TYPE SS
32	148031	EYE, STRAP EYE TIE-DOWN

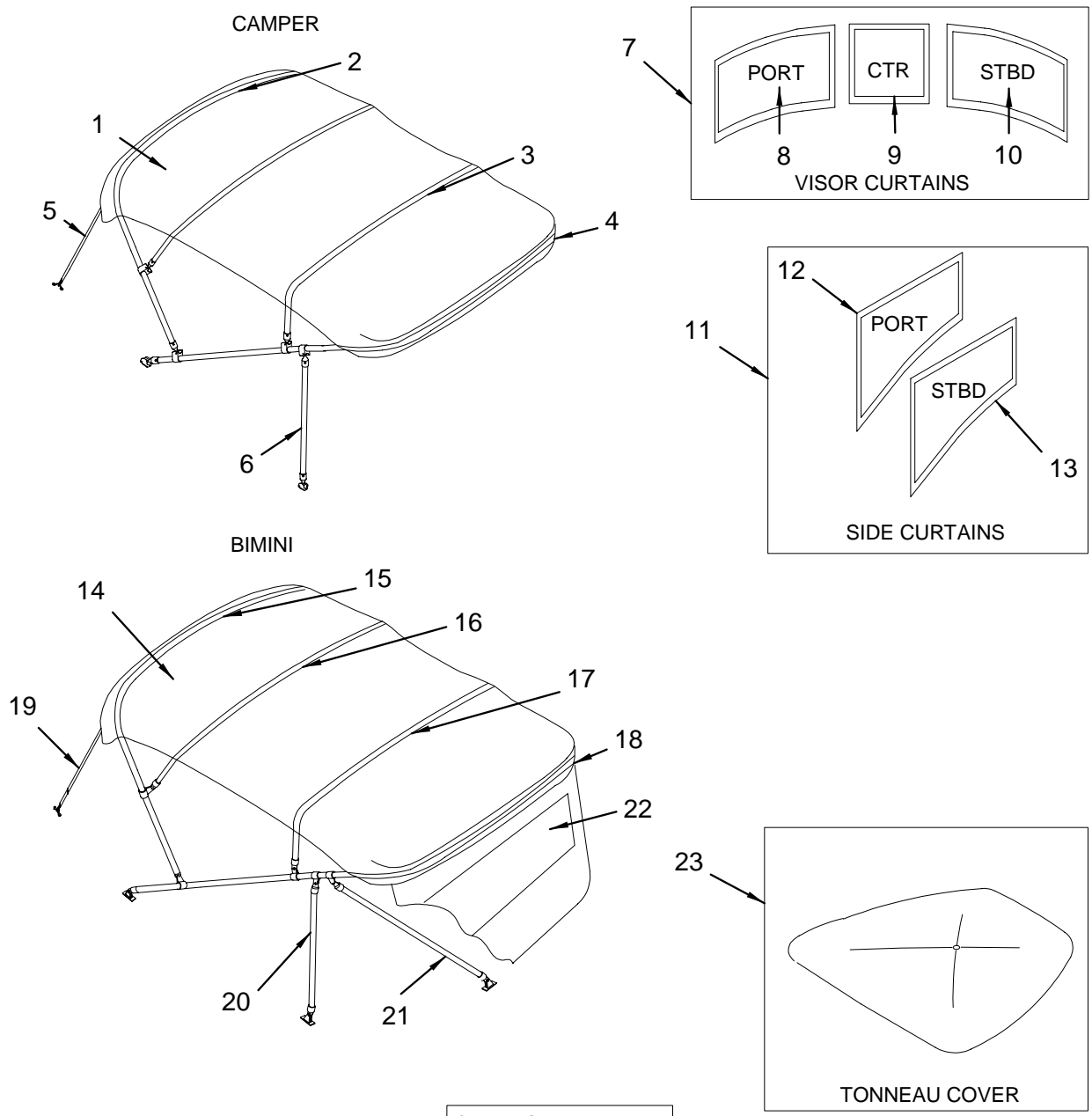
**COCKPIT COVER**

	1753498	CANVAS, 240SD-04 CPC N/SNPS RED
	1753502	CANVAS, 240SD-04 BIM CPC W/SNPS RED
	148429	POLE, TONNEAU COVER SUPPORT ADJ (TONNEAU COVER POLE SUPPORT USED ONLY ON 240SD CPC)

**STORAGE BAG**

	1092162	CANVAS, STRG BAG 12X38 CLOUDBRST TONNEAU/CKPT
	819524	CANVAS, STRG BAG 19.5X54 GREY 95

CANVAS (BLUE)



CANVAS HARDWARE

END CAP	JAW SLIDE	PLASTIC REPLACEMENT INSERT	PULL PIN	PULL PIN W/LANYARD	RADIUS HINGE	SIDE SPACER	STRAIGHT HINGE	STRAP EYE
24	25	26	27	28	29	30	31	32

**CANVAS (BLUE)**

1	1778232	CANVAS, 240SD-05 CAMP TOP CAPT NAVY
	1778233	CANVAS, 240SD-05 CAMP TOP BOOT CAPT NAVY
	1772243	CANVAS, 240SD-04 CAMP TOP BOWS W/HDWR
	1772245	CANVAS, 240SD-04 CAMP TOP HDWR MNT PKG
2	1772246	CANVAS, 240SD-04 CAMP TOP BOW2 N/HDWR
3	1772250	CANVAS, 240SD-04 CAMP TOP BOW3 N/HDWR
4	1772244	CANVAS, 240SD-04 CAMP TOP MAIN BOW N/HDWR
5	1776635	CANVAS, 240SD-04 CAMP TOP FWD STAN/STP
6	1772252	CANVAS, 240SD-04 CAMP TOP REAR SUPPORT POLE
7	1778224	CANVAS, 240SD-05 VISOR 3PC ST CLR/CAP NVY
8	1780790	CANVAS, 240SD-05 VISOR CURT PRT CLR/CAPT NVY
9	1780791	CANVAS, 240SD-05 VISOR CURT CTR CLR/CAPT NVY
10	1780792	CANVAS, 240SD-05 VISOR CURT STB CLR/CAPT NVY
11	1778228	CANVAS, 240SD-05 SIDE CURT SET W/SNPS CAP NVY
12	1780793	CANVAS, 240SD-05 SIDE CURT PRT CAPT NVY
13	1780794	CANVAS, 240SD-05 SIDE CURT STB CAPT NVY
14	1778222	CANVAS, 240SD-05 BIM TOP CAP NVY
	1778223	CANVAS, 240SD-05 BIM TOP BOOT CAP NVY
	1770062	CANVAS, 240SD-04 BIM TOP BOWS W/HDWR
	1770061	CANVAS, 240SD-04 BIM TOP HDWR MNT PKG
15	1770063	CANVAS, 240SD-04 BIM TOP BOW2 W/HDWR
16	1770064	CANVAS, 240SD-04 BIM TOP BOW3 N/HDWR
17	1770065	CANVAS, 240SD-04 BIM TOP BOW4 N/HDWR
18	1770060	CANVAS, 240SD-04 BIM TOP MAIN BOW N/HDWR
19	1776632	CANVAS, 240SD-04 BIM TOP FWD STANCHION/STRAP
20	1770067	CANVAS, 240SD-04 BIM TOP REAR STANCH 32.5"ADJ
21	1770066	CANVAS, 240SD-04 BIM TOP SWAY POLE
22	1778229	CANVAS, 240SD-05 AFT CURT W/SNPS CAP NVY
23	1778231	CANVAS, 240SD-05 TONNEAU CVR W/SNPS CAP NVY
	1778235	CANVAS, 240SD-05 TONNEAU CVR W/CAMP/SNPS CAPN
	148429	POLE, TONNEAU COVER SUPPORT ADJ
24	1760354	CAP, SS EYE END BALL/SOCKET TYPE
25	1760355	SLIDE, JAW SLIDE BALL/SOCKET TYPE SS
	1760596	SCREW, SLOT PAN BALL/SOCKET JAW SLIDE
26	1760358	INSERT, DECK HINGE BALL/SOCKET BLK
27	1357854	PIN, PULL 1.25" TOGGLE W/RING LNYRD SPRING SS
28	1760595	PIN, PULL BALL/SOCKET TYPE W/RING LNYRD BLK
29	1760357	HINGE, DECK RADIUS BALL/SOCKET TYPE SS
30	580688	SPACER, SIDE CURTAIN 7/8"
31	1760356	HINGE, DECK FLAT BALL/SOCKET TYPE SS
32	148031	EYE, STRAP EYE TIE-DOWN

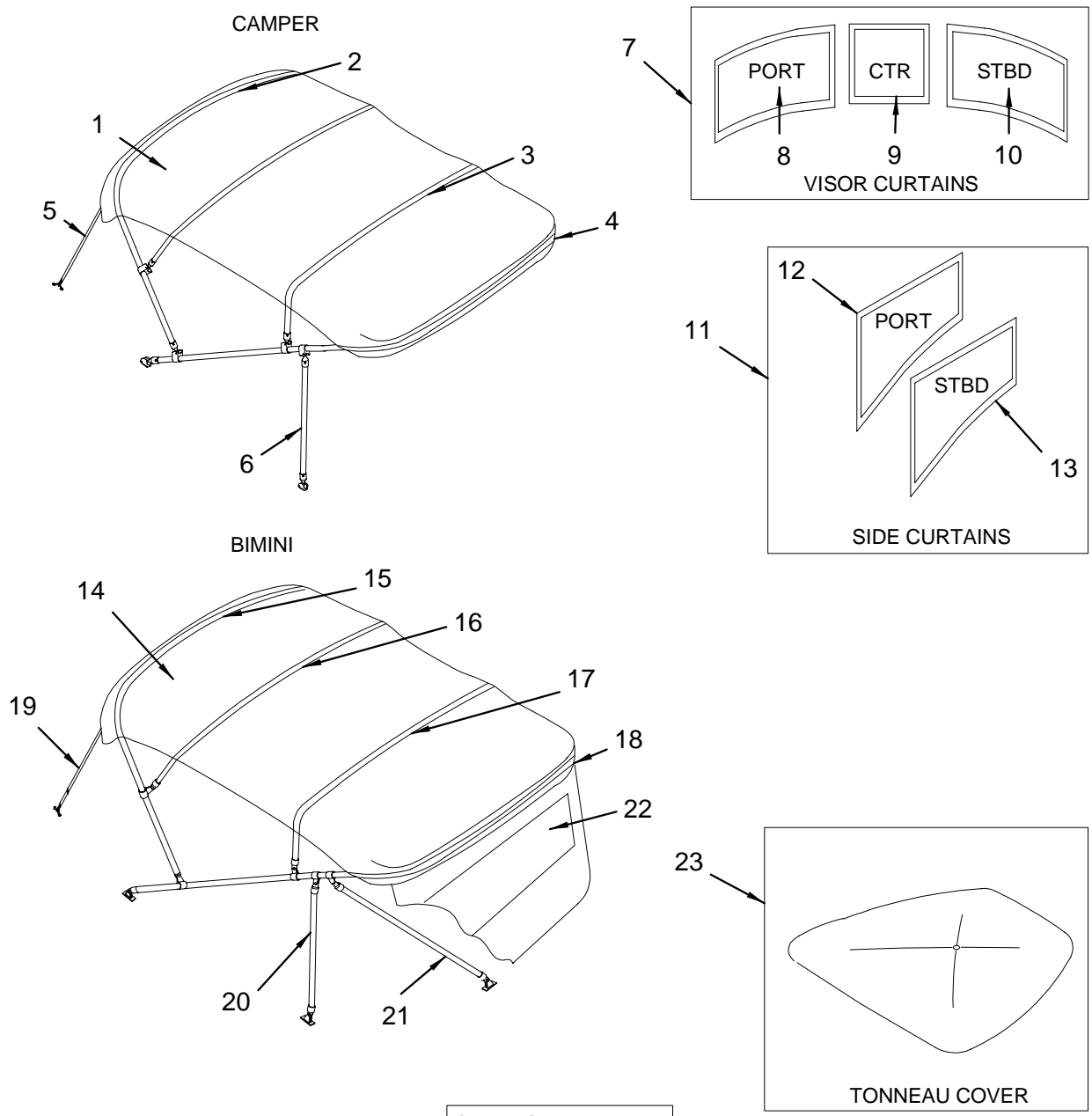
**COCKPIT COVER**

	1778230	CANVAS, 240SD-05 CPC N/SNPS CAP NVY
	1778234	CANVAS, 240SD-05 CPC W/SNPS CAP NVY
	148429	POLE, TONNEAU COVER SUPPORT ADJ (TONNEAU COVER POLE SUPPORT USED ONLY ON 240SD CPC)

**STORAGE BAG**

	1092162	CANVAS, STRG BAG 12X38 CLOUDBRST TONNEAU/CKPT
	819524	CANVAS, STRG BAG 19.5X54 GREY 95

CANVAS (GREEN)



CANVAS HARDWARE

END CAP	JAW SLIDE	PLASTIC REPLACEMENT INSERT	PULL PIN	PULL PIN W/LANYARD	RADIUS HINGE	SIDE SPACER	STRAIGHT HINGE	STRAP EYE
24	25	26	27	28	29	30	31	32

**CANVAS (GREEN)**

1	1755328	CANVAS, 240SD-04 CAMP TOP HNTR
	1755344	CANVAS, 240SD-04 CAMP TOP BOOT HNTR
	1772243	CANVAS, 240SD-04 CAMP TOP BOWS W/HDWR
	1772245	CANVAS, 240SD-04 CAMP TOP HDWR MNT PKG
2	1772246	CANVAS, 240SD-04 CAMP TOP BOW2 N/HDWR
3	1772250	CANVAS, 240SD-04 CAMP TOP BOW3 N/HDWR
4	1772244	CANVAS, 240SD-04 CAMP TOP MAIN BOW N/HDWR
5	1776635	CANVAS, 240SD-04 CAMP TOP FWD STAN/STP
6	1772252	CANVAS, 240SD-04 CAMP TOP REAR SUPPORT POLE
7	1780201	CANVAS, 240SD-05 VISOR CLR/HNTR 3PC
8	1784291	CANVAS, 240SD-05 VISOR CURT PRT CLR/HNTR
9	1784293	CANVAS, 240SD-05 VISOR CURT CTR CLR/HNTR
10	1784292	CANVAS, 240SD-05 VISOR CURT STB CLR/HNTR
11	1780204	CANVAS, 240SD-05 SIDE CURT SET W/SNPS HNTR
12	1784294	CANVAS, 240SD-05 SIDE CURT PRT HNTR
13	1784295	CANVAS, 240SD-05 SIDE CURT STB HNTR
14	1755313	CANVAS, 240SD-04 BIM TOP HNTR
	1755315	CANVAS, 240SD-04 BIM TOP BOOT EMB HNTR
	1770062	CANVAS, 240SD-04 BIM TOP BOWS W/HDWR
	1770061	CANVAS, 240SD-04 BIM TOP HDWR MNT PKG
15	1770063	CANVAS, 240SD-04 BIM TOP BOW2 W/HDWR
16	1770064	CANVAS, 240SD-04 BIM TOP BOW3 N/HDWR
17	1770065	CANVAS, 240SD-04 BIM TOP BOW4 N/HDWR
18	1770060	CANVAS, 240SD-04 BIM TOP MAIN BOW N/HDWR
19	1776632	CANVAS, 240SD-04 BIM TOP FWD STANCHION/STRAP
20	1770067	CANVAS, 240SD-04 BIM TOP REAR STANCH 32.5"ADJ
21	1770066	CANVAS, 240SD-04 BIM TOP SWAY POLE
22	1755321	CANVAS, 240SD-04 AFT CURT W/SNPS HNTR
23	1755326	CANVAS, 240SD-04 TONNEAU CVR W/SNPS HNTR
	1755367	CANVAS, 240SD-04 TONNEAU CVR W/CAMP/SNPS HNTR
	148429	POLE, TONNEAU COVER SUPPORT ADJ
24	1760354	CAP, SS EYE END BALL/SOCKET TYPE
25	1760355	SLIDE, JAW SLIDE BALL/SOCKET TYPE SS
	1760596	SCREW, SLOT PAN BALL/SOCKET JAW SLIDE
26	1760358	INSERT, DECK HINGE BALL/SOCKET BLK
27	1357854	PIN, PULL 1.25" TOGGLE W/RING LNYRD SPRING SS
28	1760595	PIN, PULL BALL/SOCKET TYPE W/RING LNYRD BLK
29	1760357	HINGE, DECK RADIUS BALL/SOCKET TYPE SS
30	580688	SPACER, SIDE CURTAIN 7/8"
31	1760356	HINGE, DECK FLAT BALL/SOCKET TYPE SS
32	148031	EYE, STRAP EYE TIE-DOWN

**COCKPIT COVER**

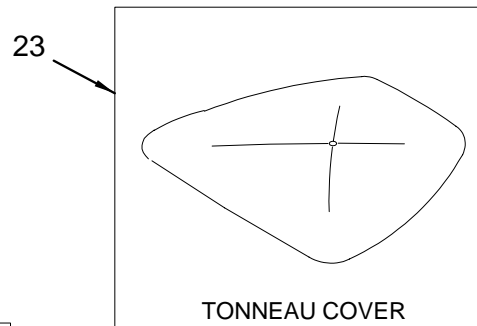
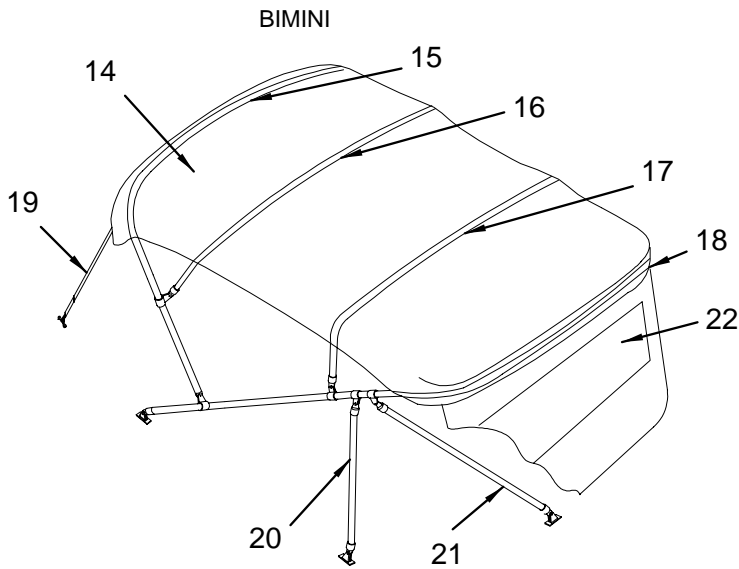
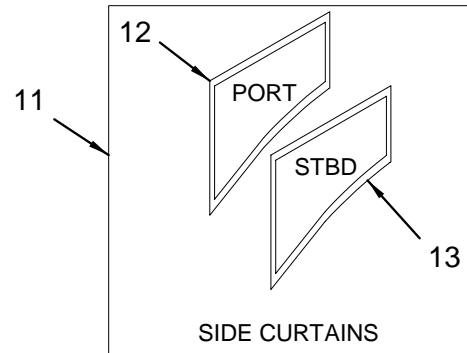
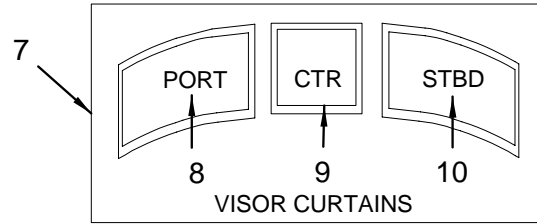
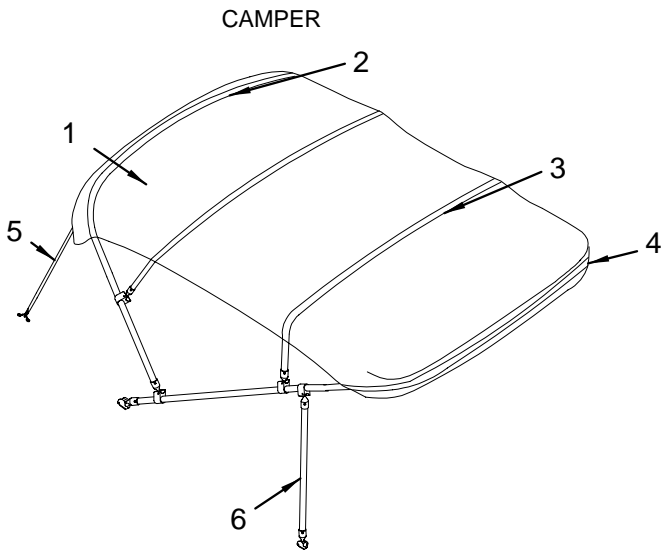
	1755324	CANVAS, 240SD-04 CPC N/SNPS HNTR
	1755346	CANVAS, 240SD-04 CPC W/SNPS HNTR
	148429	POLE, TONNEAU COVER SUPPORT ADJ (TONNEAU COVER POLE SUPPORT USED ONLY ON 240SD CPC)

**STORAGE BAG**

	1092162	CANVAS, STRG BAG 12X38 CLOUDBRST TONNEAU/CKPT
	819524	CANVAS, STRG BAG 19.5X54 GREY 95



CANVAS (BLACK)



CANVAS HARDWARE

END CAP	JAW SLIDE	PLASTIC REPLACEMENT INSERT	PULL PIN	PULL PIN W/LANYARD	RADIUS HINGE	SIDE SPACER	STRAIGHT HINGE	STRAP EYE
24	25	26	27	28	29	30	31	32

**CANVAS (BLACK)**

1	1759831	CANVAS, 240SD-04 CAMP TOP BLK
	1759832	CANVAS, 240SD-04 CAMP TOP BOOT BLK
	1772243	CANVAS, 240SD-04 CAMP TOP BOWS W/HDWR
	1772245	CANVAS, 240SD-04 CAMP TOP HDWR MNT PKG
2	1772246	CANVAS, 240SD-04 CAMP TOP BOW2 N/HDWR
3	1772250	CANVAS, 240SD-04 CAMP TOP BOW3 N/HDWR
4	1772244	CANVAS, 240SD-04 CAMP TOP MAIN BOW N/HDWR
5	1776635	CANVAS, 240SD-04 CAMP TOP FWD STAN/STP
6	1772252	CANVAS, 240SD-04 CAMP TOP REAR SUPPORT POLE
7	1780202	CANVAS, 240SD-05 VISOR CLR/BLK 3PC
8	1784286	CANVAS, 240SD-05 VISOR CURT PRT CLR/BLK
9	1784287	CANVAS, 240SD-05 VISOR CURT CTR CLR/BLK
10	1784288	CANVAS, 240SD-05 VISOR CURT STB CLR/BLK
11	1780205	CANVAS, 240SD-05 SIDE CURT SET W/SNPS BLK
12	1784289	CANVAS, 240SD-05 SIDE CURT PRT BLK
13	1784290	CANVAS, 240SD-05 SIDE CURT STB BLK
14	1759824	CANVAS, 240SD-04 BIM TOP BLK
	1759825	CANVAS, 240SD-04 BIM TOP BOOT EMB BLK
	1770062	CANVAS, 240SD-04 BIM TOP BOWS W/HDWR
	1770061	CANVAS, 240SD-04 BIM TOP HDWR MNT PKG
15	1770063	CANVAS, 240SD-04 BIM TOP BOW2 W/HDWR
16	1770064	CANVAS, 240SD-04 BIM TOP BOW3 N/HDWR
17	1770065	CANVAS, 240SD-04 BIM TOP BOW4 N/HDWR
18	1770060	CANVAS, 240SD-04 BIM TOP MAIN BOW N/HDWR
19	1776632	CANVAS, 240SD-04 BIM TOP FWD STANCHION/STRAP
20	1770067	CANVAS, 240SD-04 BIM TOP REAR STANCH 32.5"ADJ
21	1770066	CANVAS, 240SD-04 BIM TOP SWAY POLE
22	1759828	CANVAS, 240SD-04 AFT CURT W/SNPS BLK
23	1759830	CANVAS, 240SD-04 TONNEAU CVR W/SNPS BLK
	1759834	CANVAS, 240SD-04 TONNEAU CVR W/CAMP/SNPS BLK
	148429	POLE, TONNEAU COVER SUPPORT ADJ
24	1760354	CAP, SS EYE END BALL/SOCKET TYPE
25	1760355	SLIDE, JAW SLIDE BALL/SOCKET TYPE SS
	1760596	SCREW, SLOT PAN BALL/SOCKET JAW SLIDE
26	1760358	INSERT, DECK HINGE BALL/SOCKET BLK
27	1357854	PIN, PULL 1.25" TOGGLE W/RING LNYRD SPRING SS
28	1760595	PIN, PULL BALL/SOCKET TYPE W/RING LNYRD BLK
29	1760357	HINGE, DECK RADIUS BALL/SOCKET TYPE SS
30	580688	SPACER, SIDE CURTAIN 7/8"
31	1760356	HINGE, DECK FLAT BALL/SOCKET TYPE SS
32	148031	EYE, STRAP EYE TIE-DOWN

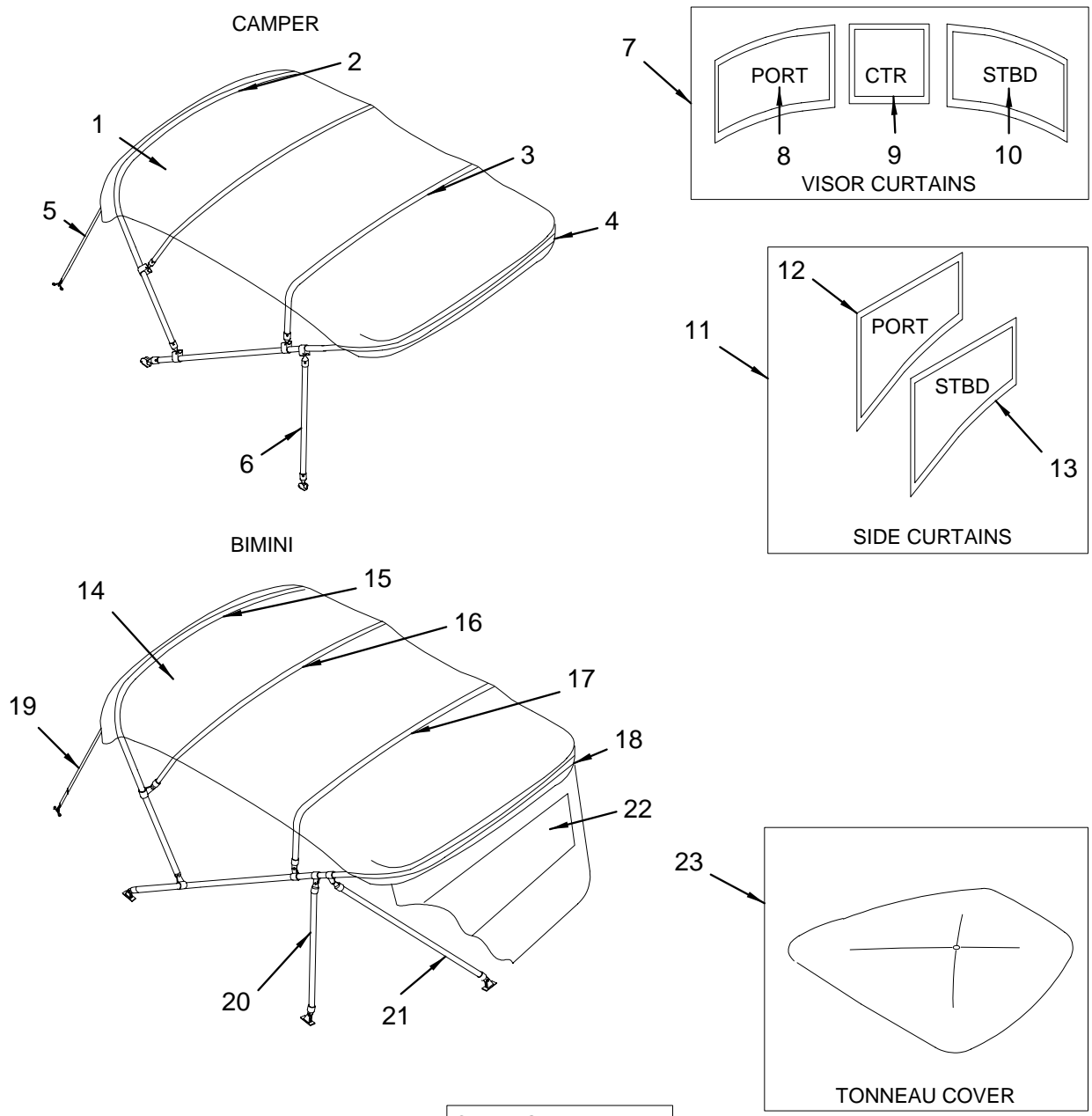
**COCKPIT COVER**

	1759829	CANVAS, 240SD-04 CPC N/SNPS BLK
	1759833	CANVAS, 240SD-04 CPC W/SNPS BLK
	148429	POLE, TONNEAU COVER SUPPORT ADJ (TONNEAU COVER POLE SUPPORT USED ONLY ON 240SD CPC)

**STORAGE BAG**

	1092162	CANVAS, STRG BAG 12X38 CLOUDBRST TONNEAU/CKPT
	819524	CANVAS, STRG BAG 19.5X54 GREY 95

CANVAS (CHARCOAL)



CANVAS HARDWARE

END CAP	JAW SLIDE	PLASTIC REPLACEMENT INSERT	PULL PIN	PULL PIN W/LANYARD	RADIUS HINGE	SIDE SPACER	STRAIGHT HINGE	STRAP EYE
24	25	26	27	28	29	30	31	32

## CANVAS (CHARCOAL)

1	1793341	CANVAS, 240SD-05 CAMP TOP CHAR
	1793342	CANVAS, 240SD-05 CAMP TOP BOOT CHAR
	1772243	CANVAS, 240SD-04 CAMP TOP BOWS W/HDWR
	1772245	CANVAS, 240SD-04 CAMP TOP HDWR MNT PKG
2	1772246	CANVAS, 240SD-04 CAMP TOP BOW2 N/HDWR
3	1772250	CANVAS, 240SD-04 CAMP TOP BOW3 N/HDWR
4	1772244	CANVAS, 240SD-04 CAMP TOP MAIN BOW N/HDWR
5	1776635	CANVAS, 240SD-04 CAMP TOP FWD STAN/STP
6	1772252	CANVAS, 240SD-04 CAMP TOP REAR SUPPORT POLE
7	1793334	CANVAS, 240SD-05 VSR CLR/CHAR 3PC
8	1795305	CANVAS, 240SD-05 VISOR CURT PRT CLR/CHAR
9	1795306	CANVAS, 240SD-05 VISOR CURT CTR CLR/CHAR
10	1795307	CANVAS, 240SD-05 VISOR CURT STB CLR/CHAR
11	1793335	CANVAS, 240SD-05 SIDE CURT SET W/SNPS CHAR
12	1795308	CANVAS, 240SD-05 SIDE CURT PRT CHAR
13	1795309	CANVAS, 240SD-05 SIDE CURT STB CHAR
14	1793332	CANVAS, 240SD-05 BIM TOP CHAR
	1793333	CANVAS, 240SD-05 BIM TOP BOOT EMB CHAR
	1770062	CANVAS, 240SD-04 BIM TOP BOWS W/HDWR
	1770061	CANVAS, 240SD-04 BIM TOP HDWR MNT PKG
15	1770063	CANVAS, 240SD-04 BIM TOP BOW2 W/HDWR
16	1770064	CANVAS, 240SD-04 BIM TOP BOW3 N/HDWR
17	1770065	CANVAS, 240SD-04 BIM TOP BOW4 N/HDWR
18	1770060	CANVAS, 240SD-04 BIM TOP MAIN BOW N/HDWR
19	1776632	CANVAS, 240SD-04 BIM TOP FWD STANCHION/STRAP
20	1770067	CANVAS, 240SD-04 BIM TOP REAR STANCH 32.5"ADJ
21	1770066	CANVAS, 240SD-04 BIM TOP SWAY POLE
22	1793336	CANVAS, 240SD-05 AFT CURT W/SNPS CHAR
23	1793338	CANVAS, 240SD-05 TONNEAU CVR W/SNPS CHAR
	1793344	CANVAS, 240SD-05 TONNEAU CVR W/CAMP/SNPS CHAR
	148429	POLE, TONNEAU COVER SUPPORT ADJ
24	1760354	CAP, SS EYE END BALL/SOCKET TYPE
25	1760355	SLIDE, JAW SLIDE BALL/SOCKET TYPE SS
	1760596	SCREW, SLOT PAN BALL/SOCKET JAW SLIDE
26	1760358	INSERT, DECK HINGE BALL/SOCKET BLK
27	1357854	PIN, PULL 1.25" TOGGLE W/RING LNYRD SPRING SS
28	1760595	PIN, PULL BALL/SOCKET TYPE W/RING LNYRD BLK
29	1760357	HINGE, DECK RADIUS BALL/SOCKET TYPE SS
30	580688	SPACER, SIDE CURTAIN 7/8"
31	1760356	HINGE, DECK FLAT BALL/SOCKET TYPE SS
32	148031	EYE, STRAP EYE TIE-DOWN

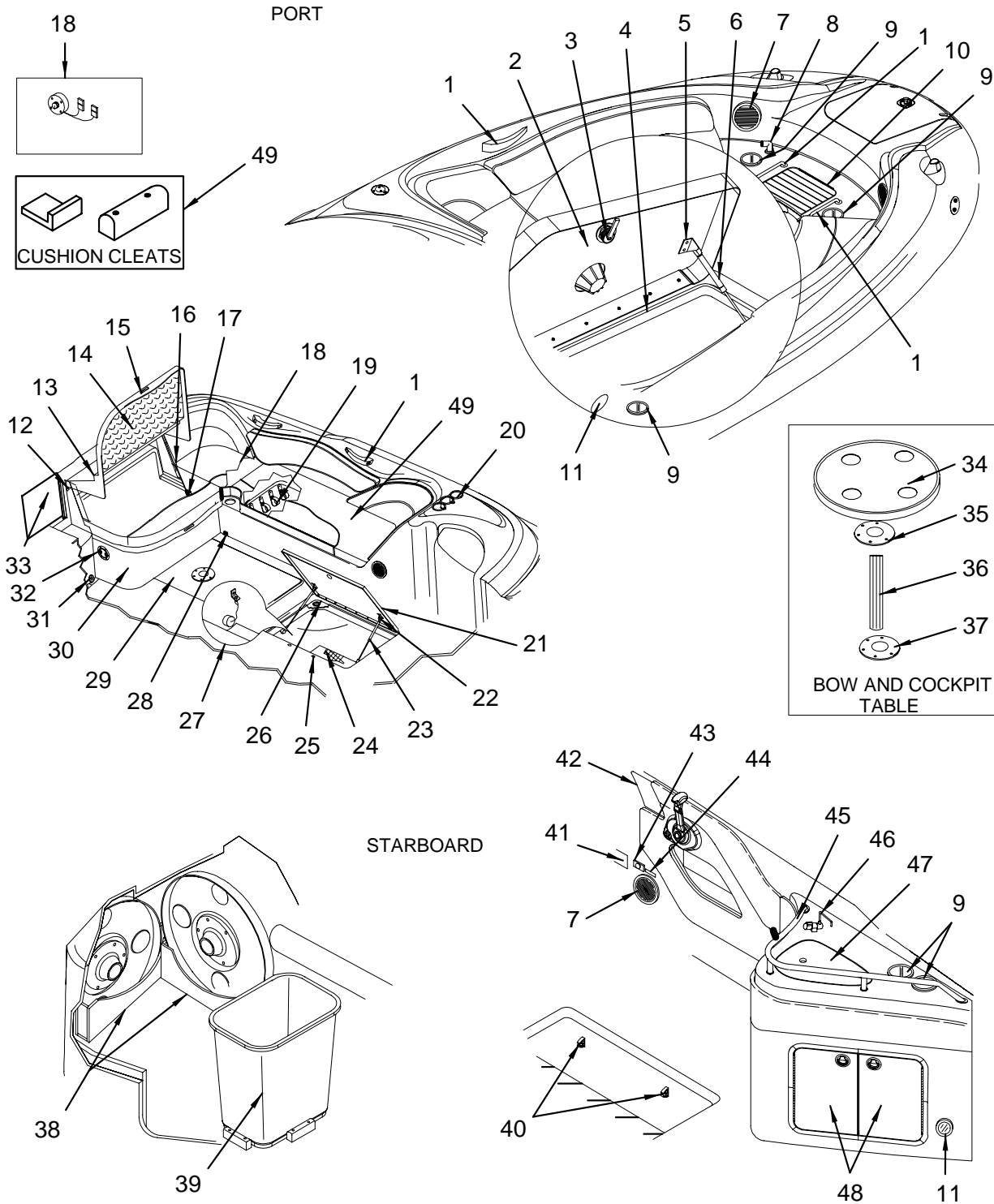
## COCKPIT COVER

	1793337	CANVAS, 240SD-05 CPC N/SNPS CHAR
	1793339	CANVAS, 240SD-05 CPC W/SNPS CHAR
	148429	POLE, TONNEAU COVER SUPPORT ADJ (TONNEAU COVER POLE SUPPORT USED ONLY ON 240SD CPC)

## STORAGE BAG

	1092162	CANVAS, STRG BAG 12X38 CLOUDBRST TONNEAU/CKPT
	819524	CANVAS, STRG BAG 19.5X54 GREY 95

COCKPIT



## COCKPIT

- 1 1780393 RAIL, GRAB 8.5" 316L SS W/GASKET  
1794992 RAIL, GRAB 8.5" 316L SS W/SHORT 7/8" STUDS
- 2 1780756 240SD 05,HATCH,BOW STRG FBRGLS  
1334929 FLOORING, PVC MAT 240SD-00 BOW HATCH STRG WHT  
1628858 BUMPER, WHITE ROUND W/#6 TRUSS HEAD
- 3 1781446 LATCH, COMPRESSION 2.5"N/LOCKING SS  
(ORDER LATCH, PLATE AND CATCH FOR COMPLETE LATCH)  
1781448 PLATE, SHALLOW BRKT 2.5"W/HDWR PKG SS
- 4 1110543 HINGE, SS CONT 2"X 24"  
5 1107507 BRACKET, GAS CYL 105DEG W/10MM BALL  
6 817643 CYLINDER, GAS 40PSI 17.2"EXT X 10.2"COMP  
(HULL#3058->UP)  
1258219 CYLINDER, GAS 40PSI 10"EXT X 7"COMP  
(HULL#3001->3057)  
770479 BRACKET, SS GAS CYL 90DEG 1" W/STUD
- 7 1690557 SPEAKER, COAXIAL 6.5" N/CVR  
1690558 GRILL, SPEAKER 6.5" ACOM WHT
- 8 1775029 SHOWER, SPRAY BLK NOZZLE W/8" VINYL HOSE  
(HULL#3031->UP)  
1597921 SHOWER, SPRAY NOZZLE W/8"SS HOSE HVY DUTY  
(HULL#3001->3030)  
1764405 SHOWER, BLK HANDLE FAUCET SPRAYER NOZZLE  
(HULL#3001->3030)  
1671254 SHOWER, HOSE 8" SS W/GASKETS  
(HULL#3001->3030)  
1388743 HOLDER, PLAS SPRAYER PRL  
(HULL#3001->3030)  
1524644 GASKET, THRU-HULL 1 29/32" OD
- 9 1779920 HOLDER, DRINK SS 4"X 3" MUG SZ W/RBR INSRT/ADH  
124347 HOSE, PVC CLEAR 3/8"  
417998 CLAMP, HOSE #04M 1/4"-5/8" SS MINI
- 10 1036573 COOLER, 20"X 11"X 10" FOAMED MOLDED  
1156520 LID, HDPE 190SDOB/210SD-99 COOLER W/HINGE PRL  
1233840 HINGE, 190SDOB/210SD-99 COOLER LID (1156520)  
501528 BUMPER, BLACK SQUARE BUMPER
- 11 1771019 LIGHT, NAV STERN FLUSH MT CKPT W/CONN  
1200369 BULB, REPL FOR #0137380/#0783670
- 12 775874 HINGE, SS CONT 2"X 36" POLISHED
- 13 1780765 240SD 05,MTRBX,CKPT FBRGLS  
1118314 CATCH, RBR SUNPAD HOLD-DOWN  
(HULL#3457->UP)
- 14 1341395 FOAM, P/C 240SD-00 CONV BILGE 2-PC  
15 156166 PULL, DOOR/DRAWER PLAS WHT
- 16 813980 CYLINDER, GAS 80PSI 20"EXT X 12"COMP
- 17 634550 BRACKET, SS GAS CYL 90DEG L-BRKT W/BALL LONG  
634592 BRACKET, SS GAS CYL FLAT W/BALL STUD
- 18 1726840 SWITCH, BATTERY SEL W/O LOCK W/O DISC REV 1  
(DUAL BATTERY SWITCH)  
1726841 SWITCH, BATTERY ON/OFF N/LCK N/DISC RV1  
(ON/OFF BATTERY SWITCH/CE OPTION GROUP)
- 19 855809 ROPE, DOCKLINE STRAP WHT W/HDWR (SHORT STYLE)
- 20 1750874 HOLDER, DRINK SS 3-RING 3" (KING)  
1750873 HOLDER, DRINK SS 2-RING 3" (KING)  
(TWO BUCKET SEATS W/ SUN LOUNGER SEATING PKG)
- 21 1780758 240SD 05,HATCH,CKPT SKI STRG FBRGLS  
1333186 HINGE, SS CONT 2"X 30" 240SD-00 SKI STRG  
1781446 LATCH, COMPRESSION 2.5"N/LOCKING SS  
(ORDER LATCH, PLATE AND CATCH FOR COMPLETE LATCH)  
1781448 PLATE, SHALLOW BRKT 2.5"W/HDWR PKG SS  
1781449 CATCH, PAWL 2.5"STRAIGHT LONG SS
- 22 1107507 BRACKET, GAS CYL 105DEG W/10MM BALL  
770479 BRACKET, SS GAS CYL 90DEG 1" W/STUD
- 23 638106 CYLINDER, GAS 60PSI 20"EXT X 12"COMP  
(HULL#3103->UP)  
826305 CYLINDER, GAS 40PSI 20"EXT X 12"COMP  
(HULL#3001->3102)
- 24 1334952 FLOORING, PVC MAT 240SD-00 SKI STRG WHT
- 25 1628858 BUMPER, WHITE ROUND W/#6 TRUSS HEAD
- 26 266130 DRAIN, LINER W/90 DEG ELBOW 1" PLASTIC
- 27 156224 PLUG, DRAIN PLUG SNAPTITE 7/8"  
418632 LANYARD, W/TAB/RING
- 28 1098417 THRU-HULL, PLAS 1 1/8" PRL  
1524644 GASKET, THRU-HULL 1 29/32" OD
- 29 1780757 240SD 05,HATCH,CKPT FUEL TANK
- 30 1780764 240SD 05,MTRBX,CKPT CKPT FBRGLS  
1156355 TRIM, EDGE PEARL MOTOR BOX SMALL  
(HULL#3474->3480)
- 31 1392794 THRU-HULL, PLAS 1 1/8" TUBE X 90DEG PRL
- 32 1155993 ACCESS PLATE, POLYPROP W/O-RING 4" PEARL
- 33 1778645 DOOR, PLEX 240SD-05 TRNSM W/HNGE PRL W/OMNI
- 1754046 SHIM, HDPE 7/16"X 1.25"X 1/4" PRL
- 34 1148519 TABLE, T/F CKPT ROUND PRL 99

- 34 1768943 PVC BOARD, 1/2"X 4'X 8' SR PRL INTEFOAM
- 35 876979 BASE, LEG/POST SURF MT ALUM
- 36 929836 POST, TABLE LEG 24.875" ANOD FLUTED
- 37 876961 BASE, LEG/POST FLUSH MT ALUM
- 38 1780683 240SD 05,BOX,TBL STRG CKPT ENT CTR
- 39 431098 BASKET, TRASH 11 3/8"X 8.25"X 12 1/8" BEIGE  
1396308 BLOCK, HDPE 190SD-00 TRSH CAN XL HOOK PRL
- 40 590646 CLIP, POLE STRG BLK - MAST LIGHT
- 41 819367 PLATE, NMMA 95-240SD  
935155 PLATE, CE OPT C:240SD/12PERSON/950KG  
(CE OPTION GROUP)
- 42 1745122 LABEL, DANGER/WARNING COMBO CNTRL STA
- 43 1287283 RECEPTACLE, FEMALE 12V LONG THRD BLK  
1259977 PLATE, FEMALE 12V RECEPTACLE MNT
- 44 1744738 LABEL, RECEPTACLE 12V-15A MAX (LEXAN)
- 45 1747840 RAIL, GRAB 240SD CKPT ENT CTR 316L
- 46 1775010 FAUCET, FOLD DOWN SGL TAP CHR
- 47 1778339 COVER, PLEX 240SD-05 CKPT SINK PRL  
1779333 DRAIN, FLAT HEAD 5/8" LEFT  
1780445 DRAIN ASSY, STOPPER #4203 LONG BLK
- 48 1778342 DOOR, PLEX 240SD-05 CKPT ENT STRG W/SS STHCO  
1781434 LATCH, FLUSH MNT N/LOCKING SLAM SS
- 49 609883 CLEAT, PLAS 3/4"X 1"X 4" GREY  
1291160 CLEAT, HDPE 3/4"X 1"X 4" PRL

## LABELS

- 1744745 LABEL, DISPOSAL OF GARBAGE
- 1744762 LABEL, WARNING PYHY FIRE EXT PRT (LEXAN)
- 1745513 LABEL, WARNING LEAKING FUEL  
(LOCATED UNDER MOTORBOX)
- 1745514 LABEL, PREVENT DISCHARGE OF POLLUTANTS  
(C E OPTION GROUP)
- 1745515 LABEL, WARNING DO NOT STAND/WALK THIS AREA  
(NOTE: LOCATED EACH FILLER BOARD)
- 1745520 LABEL, DANGER CO FUMES W/CANVAS  
(HULL#3018->3145)
- 1747493 LABEL, LEAVING WINDOW OPEN EXHAUST FUMES
- 1747505 LABEL, INFO REPL PROD/BROCH/DLRLOC/ETC
- 819367 PLATE, NMMA 95-240SD
- 935155 PLATE, CE OPT C:240SD/12PERSON/950KG  
(C E OPTION GROUP)

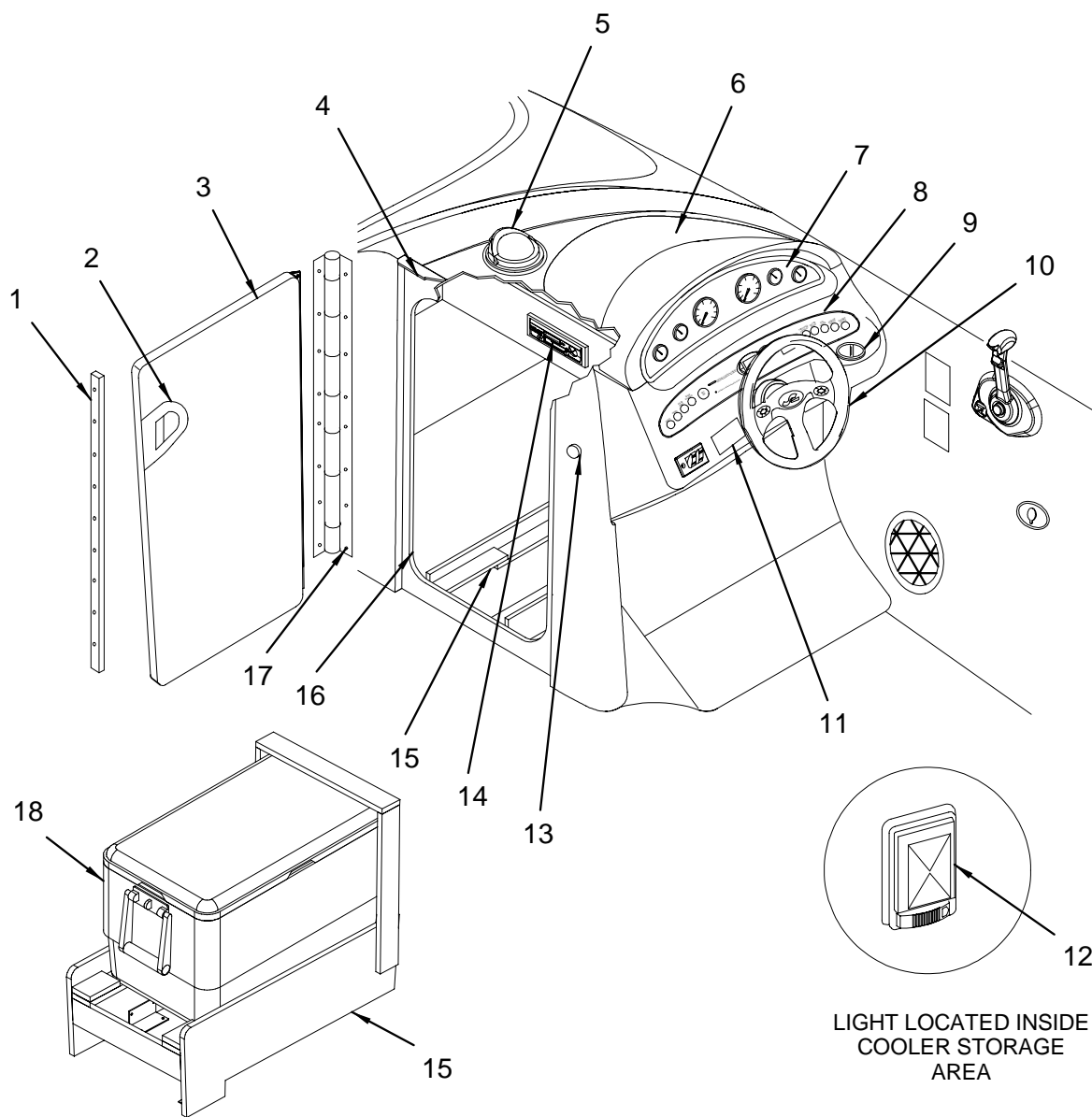
## STEREO

- 1782017 STEREO, AMP CLARION APX480M  
(PREMIER STEREO UPGRADE W/ AMP & SUBWOOFER)
- 1773440 SPEAKER, 10" SUBWOOFER ACOM N/CVR  
(PREMIER STEREO UPGRADE W/ AMP & SUBWOOFER)
- 1773445 GRILL, SPEAKER SUBWOOFER 10" ACOM WHT  
(HULL#3105->UP) (PREMIER STEREO UPGRADE W/ AMP & SUBWOOFER)
- 1773444 GRILL, SPEAKER SUBWOOFER 10" ACOM BLK  
(HULL#3013->3104) (PREMIER STEREO UPGRADE W/ AMP & SUBWOOFER)
- 1777917 HARNESS, 220/240SD-05 STEREO AMP  
(HULL#3042->UP) (PREMIER STEREO UPGRADE W/ AMP & SUBWOOFER)
- 1736988 HARNESS, 220/240SD-03 STEREO AMP  
(HULL#3001->3041) (PREMIER STEREO UPGRADE W/ AMP & SUBWOOFER)
- 1750880 CABLE, RCA AUDIO 6' W/EFX-2 CONN W/NOISE SUPP  
(PREMIER STEREO UPGRADE W/ AMP & SUBWOOFER)

## NOT SHOWN

- 1156348 TRIM, EDGE PEARL MOTOR BOX LARGE
- 1184472 TRIM, EDGE PEARL LEATHER 1"X 5/16"
- 1269430 SNAP CAP, PLAS ANTIQUE WHT
- 129189 ANGLE, ALUM 1/8"X 1.5"X 1.5"X 16"
- 137349 ACCESS PLATE, PLAS CVR 5" WHT
- 156893 WEBBING, POLYPROPYLENE 1" BLACK
- 1690896 PLATE, ALUM 1/4"X 2"X 9.75" W/2" TAPPED HOLES
- 1772425 TRIM, EDGE PEARL SMALL 5/16" OPENING
- 663708 BUMPER, CLEAR .020" THICK
- 1754071 PLATE, MOBELLA SHIM CHR/BRS
- 1785546 WASHER, 5/16"X 1.25" FDWSS

COCKPIT (HELM)



**COCKPIT (HELM)**

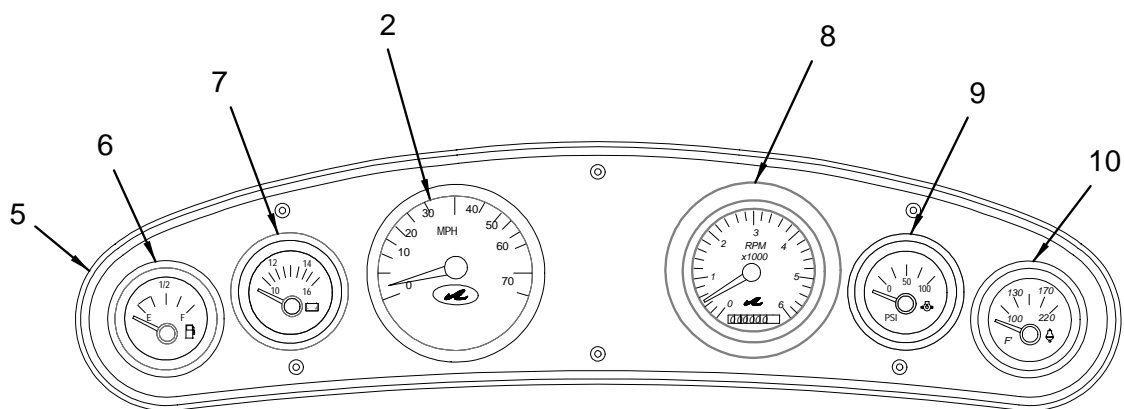
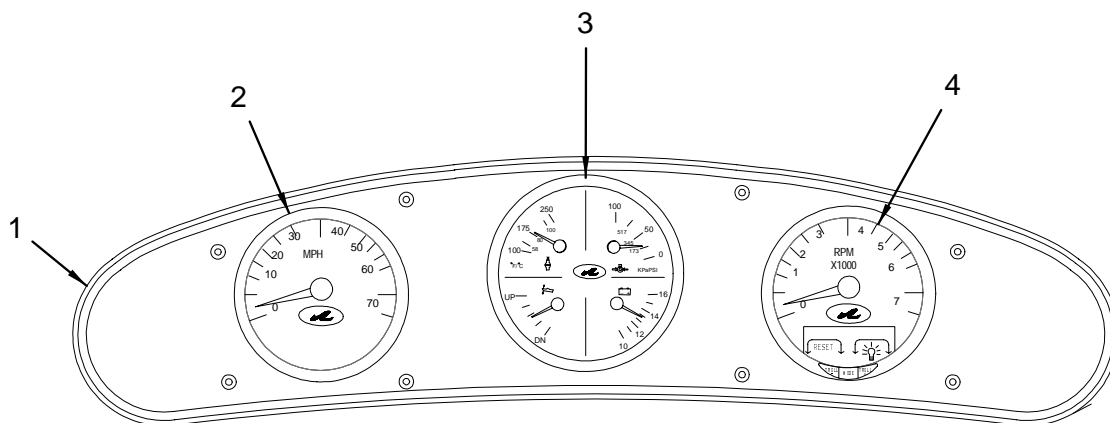
- 1 1778647 STOP, PLEX DOOR WALK THRU PRL
- 1754046 SHIM, HDPE 7/16"X 1.25"X 1/4" PRL
- 2 1611490 LATCH, #7756 OMNI FLAT 1/2" N/ LCK
- 1612357 PLATE, STRIKER MOBELLA OMNI 3/4" & 1/2" BRS
- 3 1753958 DOOR, PLEX 240SD-04 STRG WALK-THRU PRL
- 4 1165257 TRIM, PLAS ANGLE 15/16"X 15/16" TAPERED PRL
- 5 1791006 COMPASS, FLSHMT 3 7/8" BLK WT HSE/BLU LT W/CON  
(HULL#3384->UP)
- 1771021 COMPASS, FLSHMT 3 7/8" BLK HSE/BLUE LT W/CONN  
(HULL#3001->3383)
- 1780993 BULB, COMPASS REPL (1617638)
- 6 1778639 VISOR, DASH 240SD-05 NCKL
- 7 1775599 PANEL, BLANK:240/270SD-05 INST METCHRY  
(HULL#3004->UP)
- 1752433 PANEL, BLANK:225WE/240SD/270SD-04 INST STD  
(HULL#3001->3003)
- 8 1778431 PANEL, 240SD-05 SW METCHRY
- 9 1779920 HOLDER, DRINK SS 4"X 3" MUG SZ W/RBR INSRT/ADH
- 124347 HOSE, PVC CLEAR 3/8"
- 417998 CLAMP, HOSE #04M 1/4"-5/8" SS MINI
- 10 1756516 STEERING WHEEL, SPBT-04 BLK/BLK W/METCHPAD
- 1549666 EMBLEM, S/R WAVE OVAL URET CHR 1.125"X 2.375"
- 11 1745520 LABEL, DANGER CO FUMES W/CANVAS  
(HULL#3018->3145)
- 12 1771063 LIGHT, SGL DOME FLUSH MT WHT W/SWITCH W/CONN
- 604801 BULB, DOME LIGHT 12V
- 13 274373 BUMPER, CANOE CLIP MED WHT
- 14 1751777 STEREO, AM/FM CD PLAYER W/CHNGR CNTRL SIR SAT
- 1780682 240SD 05,BOX,STEREO/ELECT CKPT HELM
- 1755469 STEREO, REMOTE CNTRL W/DIG DSPLY FOR XMD3 BLK
- 1690557 SPEAKER, COAXIAL 6.5" N/CVR
- 1690558 GRILL, SPEAKER 6.5" ACOM WHT
- 875484 ANTENNA LEAD, STEREO SOFT WIRE 30"  
(HULL#3001->3118)
- 1581560 ANTENNA, AMPLIFIED 13398
- 1733835 STEREO, CD CHANGER 6-DISC DCZ625 C-NET  
(CD CHANGER, 6 DISC)
- 1757933 ANTENNA, SHAKESPEARE SATELLITE RADIO ANTENNA  
(SIRIUS SATELLITE RADIO)  
(CD CHANGER, 6 DISC)
- 1768304 STEREO, SIRIUS SATELLITE RCVR SIRCL1-1YR  
(SIRIUS SATELLITE RADIO)  
(CD CHANGER, 6 DISC)
- 1766115 PACKET, SIRIUS WELCOME KIT  
(SIRIUS SATELLITE RADIO)  
(CD CHANGER, 6 DISC)
- 15 1780786 240SD 05,SUPPORT,COOLER RACK
- 16 810572 TRIM-SEAL, 3/8" W/3/8"BULB LOC-A
- 17 1772288 HINGE, DOOR 240SD-04 STRG WLK-THRU
- 18 814012 COOLER, 36QT

**NOT SHOWN**

- 1303650 FUSE BLOCK, 10-GNG BLADE-TYPE ACCY 240DA-00  
(HULL#3003->3561)
- 1501782 HOSE, CONDUIT/SPLIT 1/2" FLAME RETARDANT
- 1501832 HOSE, CONDUIT/SPLIT 3/8" FLAME RETARDANT
- 1507243 HARNESS, MERC DATA S-CRFT 1000-2RSL-20'
- 1617281 BRACKET, BLSTR CKPT ANGLED 1/4" STND-OFF SS
- 1756151 BRACKET, BLSTR CKPT 3/4"X2"X1/16" STND-OFF SS
- 1762413 HARNESS, ENG MERC S-CRFT SC100 LINK EXT 12"  
(HULL#3001->3558)
- 1771022 ACC PART, MERC ALARM BUZZER W/HARNESS W/CONN
- 1774618 HARNESS, MOTOR AM WIPER 6" PIGTAIL W/CONN
- 263954 CLAMP, HOSE #10 1/2"-1 1/8" SS .505
- 266023 FUSE, BLADE TYPE ATO 20A
- 417675 CLAMP, HOSE #20 3/4"-1.75" SS .505



INSTRUMENT PANEL



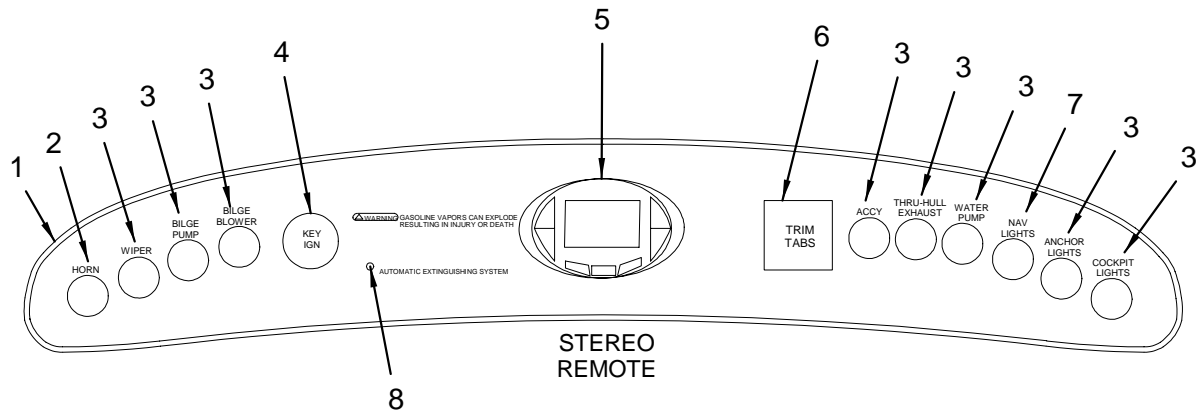
**INSTRUMENT PANEL**

- 1 1775599 PANEL, BLANK:240/270SD-05 INST METCHRY  
(HULL#3004->UP)
- 2 1689917 GAUGE, LINK SPEED 3" S-CRFT 0-70MPH  
(HULL#3004->UP)
- 1690381 NUT, LOCK 85MM SPIN LOCK VDO  
(HULL#3004->UP)
- 1727800 PITOT, S-CRFT SPEEDO KIT SML BLOCK  
(HULL#3004->UP)
- 3 1768244 GAUGE, 5" 4-IN-1 FUEL/OIL/TMP/TRIM S-CRFT  
(HULL#3004->UP)
- 4 1777617 GAUGE, SYS TACH 3" S-CRFT 0-7000RPM RV2  
(HULL#3004->UP)
- 5 1752433 PANEL, BLANK:225WE/240SD/270SD-04 INST STD  
(HULL#3001->3003)
- 6 1689853 GAUGE, FUEL LEVEL S-CRFT 2"  
(HULL#3001->3003)
- 1690380 NUT, LOCK 52MM SPIN LOCK VDO  
(HULL#3001->3003)
- 7 1690031 GAUGE, ENG TRIM S-CRFT 2"  
(HULL#3001->3003)
- 1690380 NUT, LOCK 52MM SPIN LOCK VDO  
(HULL#3001->3003)
- 8 1754755 GAUGE, SYS TACH 3" S-CRFT 0-7000RPM RV1  
(HULL#3001->3003)
- 1690381 NUT, LOCK 85MM SPIN LOCK VDO  
(HULL#3001->3003)
- 9 1689852 GAUGE, OIL PRESS 100 PSI S-CRFT 2"  
(HULL#3001->3003)
- 1690380 NUT, LOCK 52MM SPIN LOCK VDO  
(HULL#3001->3003)
- 10 1689851 GAUGE, TEMP 250F S-CRFT 2"  
(HULL#3001->3003)
- 1690380 NUT, LOCK 52MM SPIN LOCK VDO  
(HULL#3001->3003)

**NOT SHOWN**

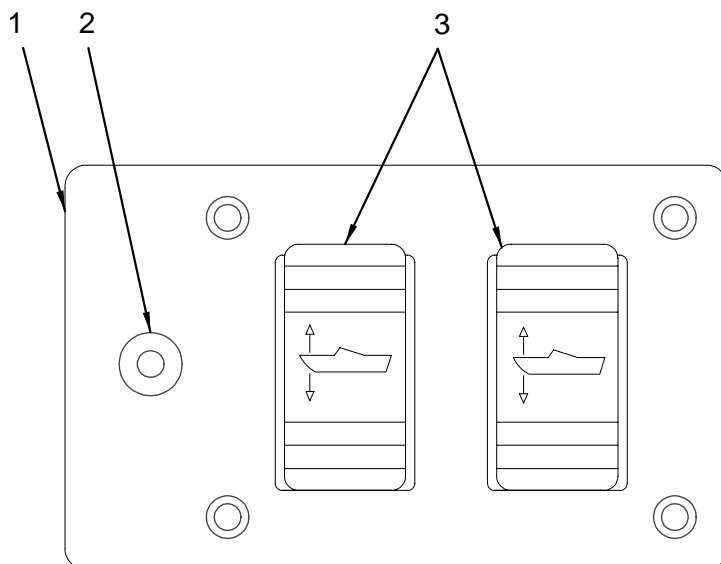
- 1507243 HARNESS, MERC DATA S-CRFT 1000-2RSL-20'
- 1777915 HARNESS, 240SD-05 WIRE W/S-CRFT W/CONN  
(HULL#3003->3718)

**SWITCH PANEL**

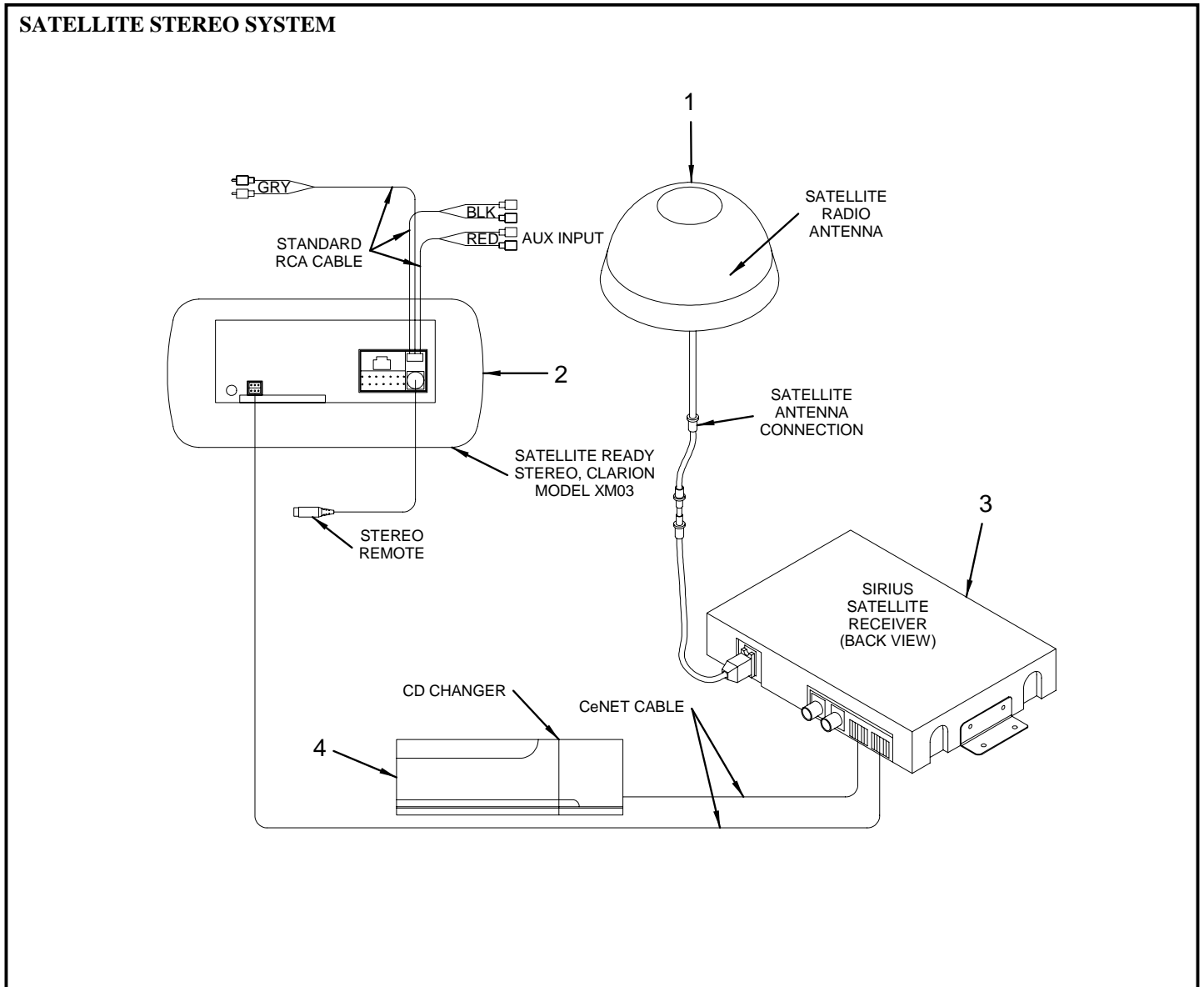


**SWITCH PANEL**

- 1 1778431 PANEL, 240SD-05 SW METCHRY
- 1775600 PANEL, BLANK:240/270SD-05 SW METCHRY
- 2 762955 SWITCH, HORN
- 137802 PLUG, HOLE 1/2" BLK
- 3 1757312 SWITCH, TOGGLE CHR W/BLU IND SPST
- 137802 PLUG, HOLE 1/2" BLK
- 4 1409366 SWITCH, IGN STARTER
- 1403161 KEY, IGN W/RUBBER SR GRIP "J"
- 1403179 KEY, IGN W/RUBBER SR GRIP "K"
- 1403187 KEY, IGN W/RUBBER SR GRIP "L"
- 1403195 KEY, IGN W/RUBBER SR GRIP "M"
- 1403203 KEY, IGN W/RUBBER SR GRIP "P"
- 1403211 KEY, IGN W/RUBBER SR GRIP "S"
- 1403229 KEY, IGN W/RUBBER SR GRIP "R"
- 1403237 KEY, IGN W/RUBBER SR GRIP "N"
- 1449818 KEY, IGN W/RUBBER SR GRIP "BLANK"
- 5 1755469 STEREO, REMOTE CNTRL W/DIG DSPLY FOR XMD3 BLK
- 6 709501 ACTUATOR, ROCK VERT BLK W/O LENS TRIM TABS
- 709493 BODY, ROCK SW DPDT (MOM) CEN-OFF W/O LAMP
- 7 1761354 SWITCH, TOGGLE CHR W/BLU IND DPST
- 1737371 WASHER, LOCK INT TOOTH NCKL PLATED
- 1787018 NUT, NICKEL FOR TOGGLE SWITCH
- 137802 PLUG, HOLE 1/2" BLK
- 8 1706223 PLUG, HOLE 5/16 DOME
- 1798060 LIGHT, INDICATOR GREEN 12V  
(HALON FIRE SUPPRESSION SYSTEM - AUTOMATIC)

**POWER TRIM AND TRIM TAB SWITCH PANEL****POWER TRIM AND TRIM TAB SWITCH PANEL**

- 1 1150887 PANEL, 260DA-99 SWITCH TRIM TABS  
(HULL#3001->3023)
- 2 775759 BRKR, P/BTN-MANUAL RESET 20A W/SCREW TER  
(HULL#3001->3023)
- 3 709501 ACTUATOR, ROCK VERT BLK W/O LENS TRIM TABS  
(HULL#3001->3023)
- 709493 BODY, ROCK SW DPDT (MOM) CEN-OFF W/O LAMP  
(HULL#3001->3023)

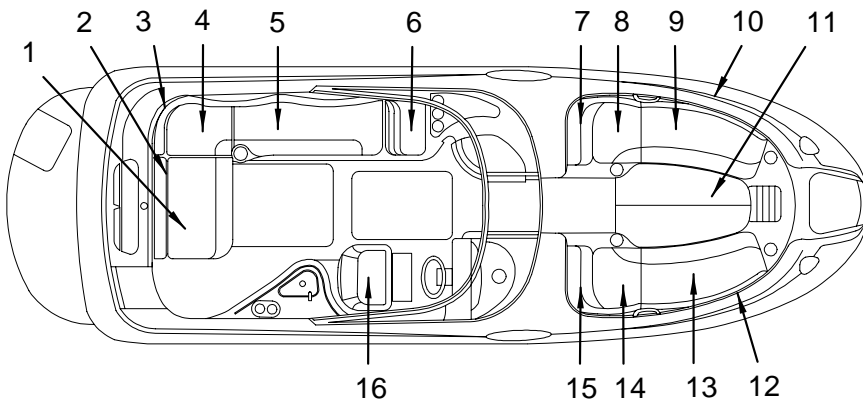


**SATELLITE STEREO SYSTEM**

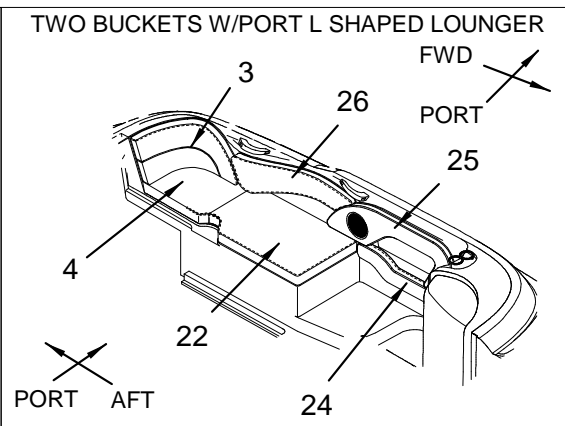
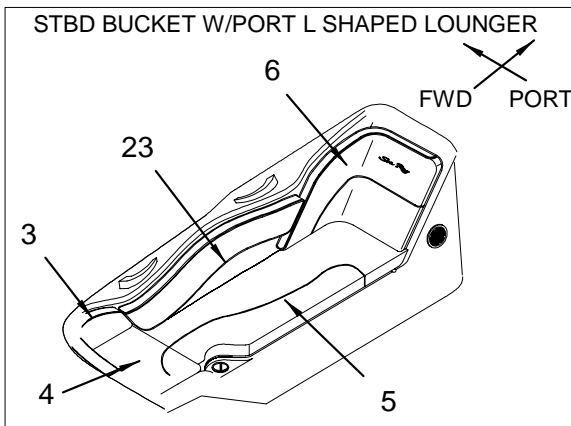
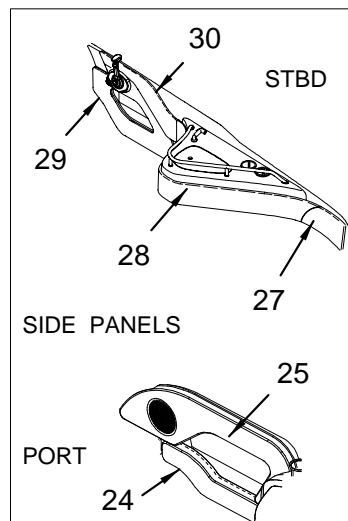
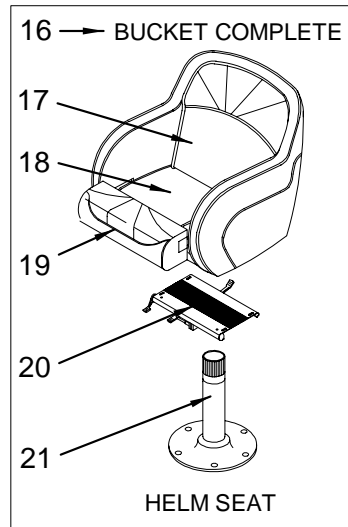
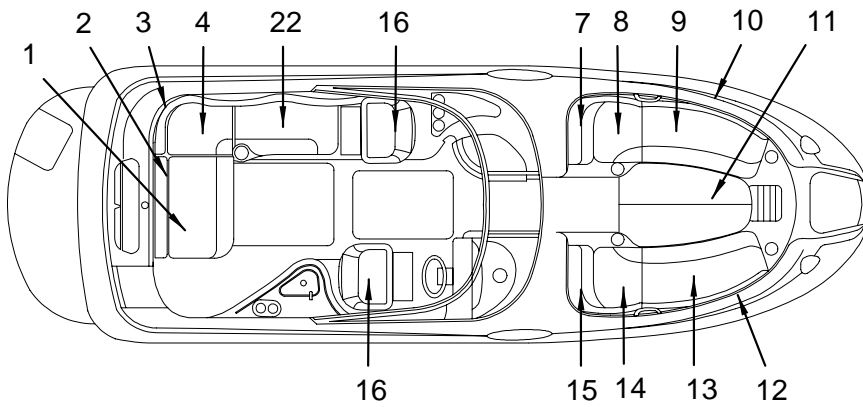
- 1 1757933 ANTENNA, SHAKESPEARE SATELLITE RADIO ANTENNA
- 2 1751777 STEREO, AM/FM CD PLAYER W/CHNGR CNTRL SIR SAT
- 3 1768304 STEREO, SIRIUS SATELLITE RCVR SIRCL1-1YR
- 4 1733835 STEREO, CD CHANGER 6-DISC DCZ625 C-NET
- 1122357 STEREO, CD (6 DISC) MAGAZINE CLARION

COCKPIT (UPHOLSTERY)

STARBOARD BUCKET/PORT L SHAPE LOUNGER



TWO BUCKETS/PORT L SHAPE LOUNGER



## COCKPIT (UPHOLSTERY)

1	1780745	240SD 05,CUSH,AFT BENCH MTRBX
	1780688	240SD 05,CUSH SKN,AFT BENCH MTRBX
2	1780655	240SD 05,BLSTR,AFT BENCH MTRBX
	1780646	240SD 05,BLSTR SKN,AFT BENCH MTRBX
3	1780661	240SD 05,BLSTR,PRT CKPT LNG AFT
	1780650	240SD 05,BLSTR SKN,PRT CKPT LNG AFT
4	1780752	240SD 05,CUSH,PRT CKPT LNG AFT
	1780696	240SD 05,CUSH SKN,PRT CKPT LNG AFT
	609883	CLEAT, PLAS 3/4"X 1"X 4" GREY
5	1780748	240SD 05,CUSH,CKPT PRT LNG FWD
	1780692	240SD 05,CUSH SKN,CKPT PRT LNG FWD
	609883	CLEAT, PLAS 3/4"X 1"X 4" GREY
	1291160	CLEAT, HDPE 3/4"X 1"X 4" PRL
6	1780662	240SD 05,BLSTR,PRT CKPT LNG FWD
	1780651	240SD 05,BLSTR SKN,PRT CKPT LNG FWD
7	1780658	240SD 05,BLSTR,PRT BOW AFT
	1780648	240SD 05,BLSTR SKN,PRT BOW AFT
8	1780750	240SD 05,CUSH,PRT BOW AFT
	1780694	240SD 05,CUSH SKN,PRT BOW AFT
9	1780751	240SD 05,CUSH,PRT BOW FWD
	1780695	240SD 05,CUSH SKN,PRT BOW FWD
	609883	CLEAT, PLAS 3/4"X 1"X 4" GREY
10	1780660	240SD 05,BLSTR,PRT BOW FWD
	1780649	240SD 05,BLSTR SKN,PRT BOW FWD
11	1780746	240SD 05,CUSH,BOW SNPD FILR
	1780690	(BOW FILLER CUSH (S)) 240SD 05,CUSH SKN,BOW SNPD FILR
	1780783	(BOW FILLER CUSH (S)) 240SD 05,SUPPORT,BOW FILR BOARD SET
	1780781	(BOW FILLER CUSH (S)) 240SD 05,SUPPORT,BOW FILR BOARD FWD
	1780782	(BOW FILLER CUSH (S)) 240SD 05,SUPPORT,BOW FILR BOARD MID
	1780780	(BOW FILLER CUSH (S)) 240SD 05,SUPPORT,BOW FILR BOARD AFT
	1745515	(BOW FILLER CUSH (S)) LABEL, WARNING DO NOT STAND/WALK THIS AREA
	1355536	(BOW FILLER CUSH (S)) FOAM, P/C 240SD-00 BOW FILLER 2-PC SET
	1764584	(BOW FILLER CUSH (S)) BOARD, HDPE 1/2"X 4"X 8' PEARL
	180182	(BOW FILLER CUSH (S)) ZIPPER, #5 DELRIN CONTINUOUS WHT
	180406	(BOW FILLER CUSH (S)) SLIDE, DELRIN #5 WHT 1-S LOCK
12	1780681	240SD 05,BLSTR,STB BOW FWD
	1780654	240SD 05,BLSTR SKN,STB BOW FWD
13	1780755	240SD 05,CUSH,STB BOW FWD
	1780744	240SD 05,CUSH SKN,STB BOW FWD
	609883	CLEAT, PLAS 3/4"X 1"X 4" GREY
14	1780753	240SD 05,CUSH,STB BOW AFT
	1780713	240SD 05,CUSH SKN,STB BOW AFT
15	1780680	240SD 05,BLSTR,STB BOW AFT
	1780653	240SD 05,BLSTR SKN,STB BOW AFT
16	1780778	240SD 05,SEAT,BKT W/THRSE CMPLT
	1780689	240SD 05,CUSH SKN,BKT ST W/THRSE CMPLT
	1441195	SHELL, BKT SEAT SPBT/SPCR-01 W/THGHRS
	1474956	SLEEVE, BKT SEAT SPBT/SPCR-01 HIGH-RISE
	964890	BRACKET, H/S FOLDUP 2PC RV2
17	1780125	240SD 05,SEAT BACK,BKT W/THRSE
	1780126	240SD 05,SEAT BACK SKN,BKT W/THRSE
18	1780747	240SD 05,CUSH,BTM BKT ST W/THRSE
	1780691	240SD 05,CUSH SKN,BTM BKT ST W/THRSE
19	1780762	240SD 05,LEG ROLL,BKT SEAT
	1780761	240SD 05,LEG ROLL SKN,BKT SEAT
20	1754578	SLIDE ASSY, SEAT MILLENNIUM 10.5" M/H LONG HDL
	1762918	HANDLE, MILLENNIUM SEAT SLIDE LONG W/O GRIP
	1762920	CAP, RUBBER MILLENNIUM SLIDE HANDLE GRIP
	1762921	HANDLE, MILLENNIUM SLIDE C-T ADJUSTER
	1762922	PIN, ROLL MILLENNIUM SLIDE CAM LEVER
	1762923	SCREW, MILLENNIUM SLIDE SMALL CAM LEVER
	1762924	LEVER, MILLENNIUM SLIDE SMALL CAM
21	1154012	PEDESTAL, ALUM 7.75" RIBBED W/DELCUP
	1219955	SEAT SLIDE, INTERNAL DELRIN CUP FOR #1141183
22	1780749	240SD 05,CUSH,FWD LNG 2 BKT SEATING
	1780693	240SD 05,CUSH SKN,FWD LNG 2 BKT SEATING
23	1780679	240SD 05,BLSTR,PRT CKPT LNG SIDE
	1780652	240SD 05,BLSTR SKN,PRT CKPT LNG SIDE
24	1780776	240SD 05,PNL,PRT SIDE LWR 2 BKT SEATING
	1780770	240SD 05,PNL SKN,PRT SIDE LWR 2 BKT SEATING
25	1780777	240SD 05,PNL,PRT SIDE UPR 2 BKT SEATING

25	1780771	240SD 05,PNL SKN,PRT SIDE UPR 2 BKT SEATING
26	1780657	240SD 05,BLSTR,FWD LNG 2 BKT SEATING
	1780647	240SD 05,BLSTR SKN,FWD LNG 2 BKT SEATING
27	1780772	240SD 05,PNL,CKPT AFT SIDE STB
	1780766	240SD 05,PNL SKN,CKPT AFT SIDE STB
28	1780773	240SD 05,PNL,CKPT ENT CTR SIDE
	1780767	240SD 05,PNL SKN,CKPT ENT CTR SIDE
29	1780774	240SD 05,PNL,CKPT STB SIDE LWR
	1780768	240SD 05,PNL SKN,CKPT STB SIDE LWR
30	1780775	240SD 05,PNL,CKPT STB SIDE UPR
	1780769	240SD 05,PNL SKN,CKPT STB SIDE UPR

## CARPET COCKPIT STORAGE

795286	CARPET, EXT 12 OZ CHAR #0326 LT NEEDLE PUNCH
--------	--

## HEADLINER/HULL LINER/WASHABLE SURFACE

1747515	VINYL, RVIEW LT CAMEO N/W 1/4"FB
---------	----------------------------------

## UPHOLSTERY MATERIALS

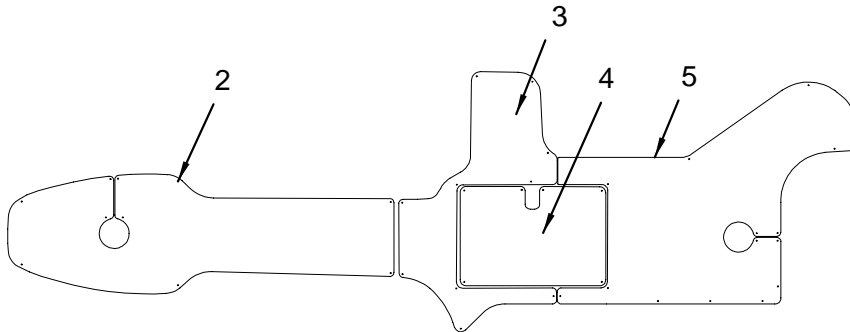
280099	THREAD, NYLON BONDED BLK
157495	TAB, PULL TAB MATERIAL 6"
1600287	THREAD, POLY-PEARL YACHT CONE GRAY
1616366	DACRON, 3/8"X 75LY
1687646	HIDEM, SEABROOK EBONY 5/8"
1777206	THREAD, POLYESTER TEX 90 WHT ANEFIL BONDED (HULL#3004->3418)
283069	VINYL FILM, PLAS 1MM X 5'X 830YD
773630	MESH, WHITE 54"
983452	MESH, BLACK 54"
1355502	FOAM, P/C 240SD-00 SIDE PANEL
1441260	FOAM, P/C BKT SEAT W/THGHRS-01
1736104	FOAM, P/C 240SD-03 BOW CUSH SET
1787875	FOAM, P/C 240SD-05 BOW BLSTR SET
1737700	FOAM, P/C 240SD-03 BOW CUSH W/PRT BKT (TWO BUCKET SEATS W/ SUN LOUNGER SEATING PKG)
1781287	FOAM, P/C 240SD-05 BOW BLSTR W/PRT BKT (TWO BUCKET SEATS W/ SUN LOUNGER SEATING PKG)
1150093	THREAD, POLYESTER BOBBIN WHT STYLE-L GROSS
155606	THREAD, BONDED THREAD WHT
1752705	HIDEM, GRANDE STINGER CREAM 5/8"

## VINYL - WELT

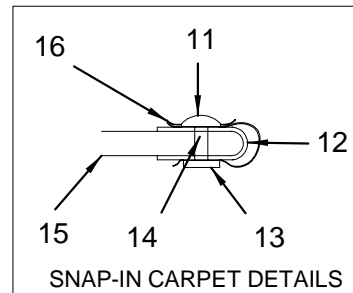
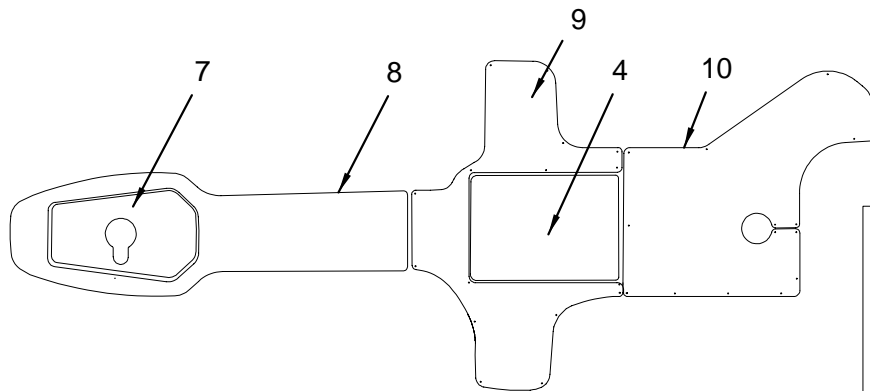
1752133	VINYL, MERRITT STINGER CREAM EXP FLAT
1752136	VINYL, MERRITT STINGER CREAM EXP 1/4"FB
1778337	VINYL, NICKEL SR-4983A EXP FLAT
1778341	VINYL, NICKEL SR-4983A EXP 1/4" FB
1619626	VINYL, DADE PEWTER MIST EXP FLAT
1777824	WELT, WELT CORD SYNTHETIC 3/8" STIFF
581827	WELT, WELT CORD SYNTHETIC 5/32"X 1250'

**COCKPIT (SNAP-IN CARPET LINER)**

1 → COCKPIT CARPET COMPLETE W/STBD BKT PORT LOUNGER



6 → COCKPIT CARPET COMPLETE W/TWO BKT SUN LOUNGER

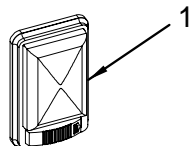


**COCKPIT (SNAP-IN CARPET LINER)**

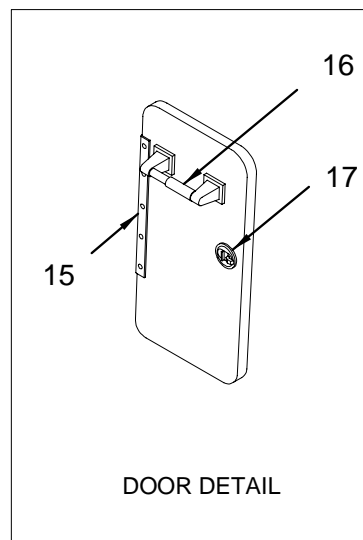
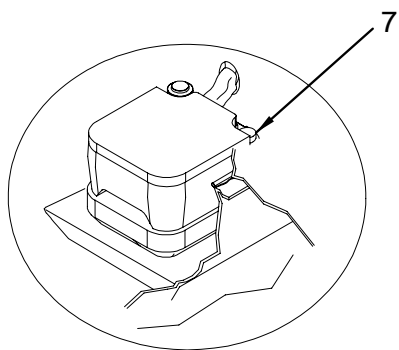
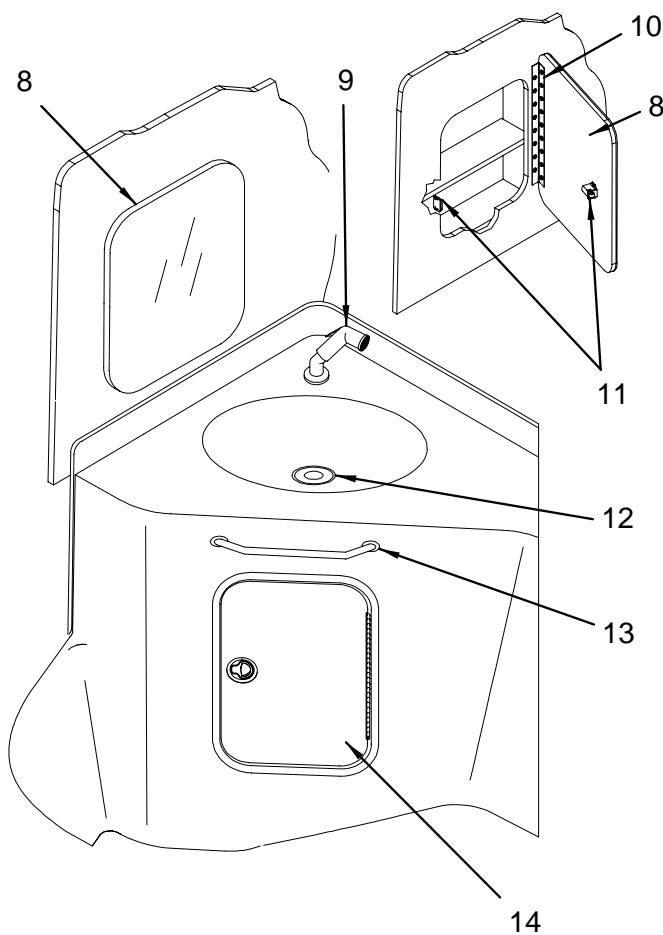
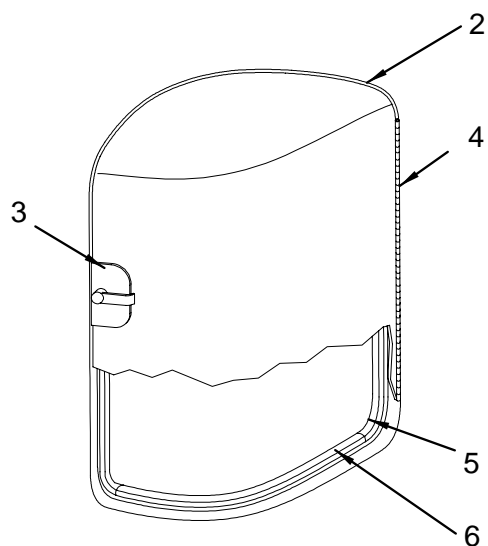
- 1 1780127 240SD 05,CARPET,SNPN STB BKT/PRT LNGR CMPLT
- 2 1780686 240SD 05,CARPET,SNPN BOW W/TBL
- 3 1791311 240SD 05,CARPET,SNPN FWD CKPT/PRT LNGR
- 4 1780687 240SD 05,CARPET,SNPN SKI HATCH
- 5 1780684 240SD 05,CARPET,SNPN AFT CKPT
- 6 1780128 240SD 05,CARPET,SNPN TWO BKT/PRT LNGR CMPLT
- 7 1780789 240SD 05,CARPET,SNPN BOW HATCH
- 8 1780788 240SD 05,CARPET,SNPN BOW W/HATCH
- 9 1791312 240SD 05,CARPET,SNPN FWD CKPT 2BKT
- 10 1780685 240SD 05,CARPET,SNPN AFT CKPT 2BKT SEATING
- 11 154401 SNAP BUTTON, W/1/4" BARREL
- 12 839720 BINDING, CANVAS 1" LINEN BIAS SUNBRELLA
- 13 154393 SNAP SOCKET, MED ACTION
- 14 154377 SNAP STUD, W/#8 X 5/8" PH SS
- 15 1609916 CARPET, EXT 28 OZ DUNE PEBBLE #902 RL 7"W
- 16 1790664 SNAP REINFORCEMENT, PLAS BACKER 500 PC/ROLL



HEAD



LIGHT LOCATED ON CEILING



DOOR DETAIL

**HEAD**

- 1 1771063 LIGHT, SGL DOME FLUSH MT WHT W/SWITCH W/CONN
- 604801 BULB, DOME LIGHT 12V
- 633719 LENS, SGL DOME REPL FOR #0596072
- 2 1321157 DOOR, RTM 240/270SD-00 HEAD PRL
- 1751057 LABEL, WARNING CABIN DOOR
- 3 1717317 LATCH, OFFSHR MORTISE RH-OUT PRVKNB CHR
- 1784623 PLATE, STRIKER OFFSHR MORTISE (FOR 1717317)
- 4 1062348 HINGE, SS CNT 1.5"X 30"
- 5 810572 TRIM-SEAL, 3/8" W/3/8"BULB LOC-A
- 6 1156355 TRIM, EDGE PEARL MOTOR BOX SMALL  
(HULL#3474->3480)
- 7 130716 HEAD, PORTABLE SANI POTTI PARCHMENT 2.8GAL
- 1783917 SEAT ASSY, CVR/SEAT/HNG PIN PRCHMNT
- 8 1780763 240SD 05.MIR ASSY,HEAD
- 946079 MIRROR, 1/8"X 13 9/16"X 15 5/8" 1.5"RAD CRNRS
- 865998 T-MOLD, VINYL INSERT 7/8" ALMOND
- 1579499 TAPE, DBL-SIDE ADHESIVE 1" X 60YD
- 9 1689704 SHOWER, SPRAY NOZZLE ANGLE BASE W/6"SS HOSE  
(HULL#3006->UP) (SS HOSE NOT SOLD SEPARATELY)
- 1764405 SHOWER, BLK HANDLE FAUCET SPRAYER NOZZLE  
(HULL#3006->UP)
- 1775010 FAUCET, FOLD DOWN SGL TAP CHR  
(HULL#3001->3005)
- 10 224956 HINGE, AL CNT 1.25"X 72" SAT
- 11 1450188 CATCH, GRABBER LATCH W/10LB HOLD WHT
- 12 1779333 DRAIN, FLAT HEAD 5/8" LEFT
- 1780445 DRAIN ASSY, STOPPER #4203 LONG BLK
- 13 1747836 RAIL, GRAB 12" STREAMLINE W/FLANGES (316L)
- 14 1780547 DOOR, HDPE STRG W/18"X 12"PRL FRM W/SS STHCO
- 1781434 LATCH, FLUSH MNT N/LOCKING SLAM SS
- 1781436 PLATE, FLAT BRKT 2"SHORT SCREW W/HDWR PKG
- 1287309 SHIM, HDPE 1/4"X 1/2"X 1.75" PRL
- 15 1746222 HINGE, HEAD STRG DOOR (1392679)
- 16 146399 HOLDER, TOILET PAPER WALL MNT CHR ROLLER
- 17 1411453 LATCH, FLUSH MOUNT PULL SS (SLAM)

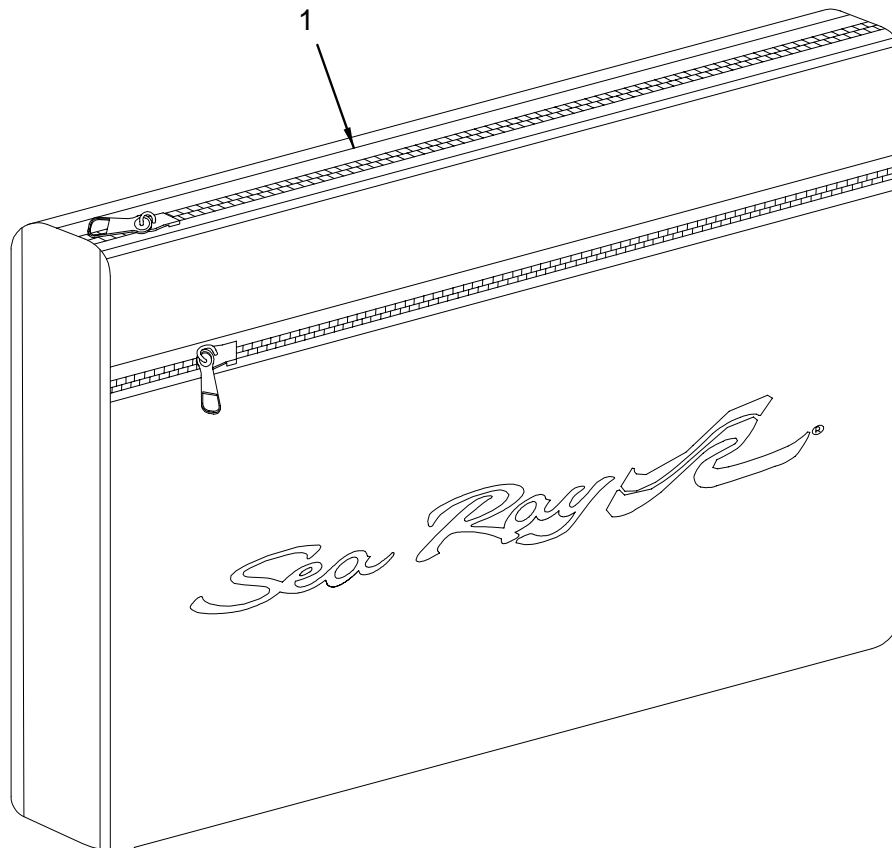
**HEADLINER/HULL LINER/WASHABLE SURFACE**

- 1140367 VINYL, RVIEW LT CAMEO N/W FLAT
- 1747515 VINYL, RVIEW LT CAMEO N/W 1/4"FB

**NOT SHOWN**

- 129189 ANGLE, ALUM 1/8"X 1.5"X 1.5"X 16'
- 1052851 SNAP CAP, PRESS-ON COVER #2 PHILLIP BEIGE
- 1355528 FOAM, P/C 240SD-00 PORT HEAD 2-PC SET
- 1501840 HOSE, CONDUIT/SPLIT 1" FLAME RETARDANT
- 595090 VELCRO, HOOK WHT 2" PRESSURE SENSITIVE

**MULTI-INFO PACKET**



**MULTI-INFO PACKET**

**MULTI-INFO PACKET**

1 1774199 PACKET, MULTI-INFO 240SD-05

**OWNERS PACKET CONTENTS**

- 1773958 MANUAL, OWNERS W/SUPPLMNT - 240SD-05 2-TAB
- 1774219 CARD, WARRANTY - SPRT BOAT 05
- 1751564 CARD, CANVAS CARE & CLEANING SEA RAY
- 1774948 CHECK LIST, IN SERVICE - SP BOATS 05
- 1507912 CARD, PASSPORT TO SAVINGS
- 1764423 BROCHURE, CARBON MONOXIDE AWARENESS
- 1766184 BROCHURE, WATERSKI SAFETY GUIDELINES
- 1507938 CARD, TALOR WINDSHIELD/GLASS CARE
- 1411404 ENVELOPE, DEALER INFORMATION
- 929828 CARD, BOATING GUIDE
- 1093988 PACKET, OWNERS 2-COMP LEGAL SIZE CANVAS BLK
- 833749 FUSE BOX, SPARE W/6 ATC BLADE STYLE
- 140061 PLUG, DRAIN PLUG SNAPTITE 1/2"
- 764316 DOCUMENT, CANVAS LTD WARRANTY
- 1789921 VIDEO, 05 OWNER ORIENTATION SPBOAT DVD
- 1751553 BOOKLET, COAST GUARD FEDERAL REQUIREMENT
- 1751550 CARD, CANVAS CARE & CLEANING MORBERN
- 1751555 BOOKLET, 3M MAINTENANCE INSTRUCTION
- 1751557 PACKET, 3M KIT
- 1510775 VIDEO, 01 CANVAS INSTALLATION SUNDECK

**OWNERS PACKET CONTENTS (continued)**

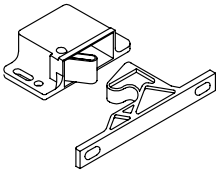
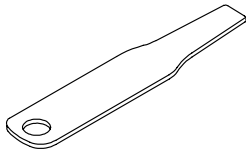

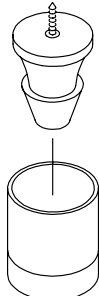
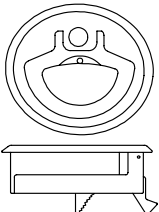
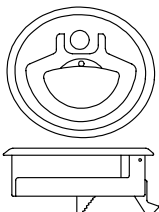
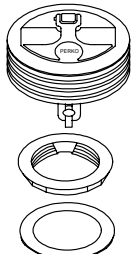
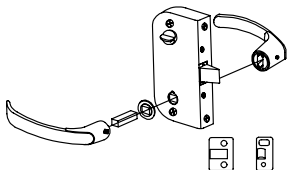
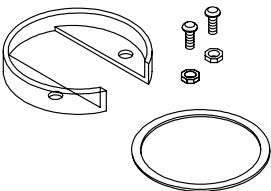
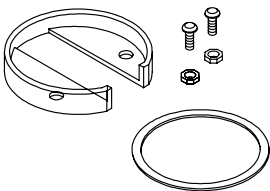
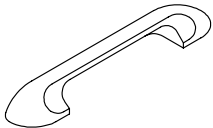
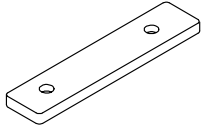
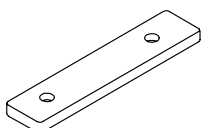
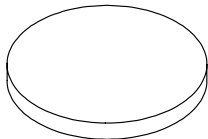
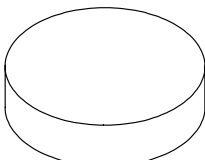
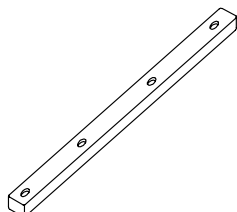
- 1751559 CARD, CANVAS CARE & CLEANING SUNBRELLA
- 1751562 CARD, WARRANTY SUNBRELLA LIMITED
- 1751563 BOOKLET, STA-BIL FUEL STABILIZER

**OWNERS PACKET SUPPLIED BY PLANT**

- 434191 CARD, NAVIGATIONAL INTERNATIONAL
- 618025 VINYL FILM, MINI GRIP BAG 5" X 8"
- 1682368 VINYL FILM, POLY BAG 34"X 50"X 2MIL CLEAR
- 1741218 LABEL, STICKER 240SD CANADIAN CONFORMITY (CANADIAN CONFORMITY STICKER)
- 1691479 MANUAL, OWNERS - SEA RAY INT'L 12-LANGUAGE (C E OPTION GROUP)
- 968339 VIDEO, 97 OWNER ORIENTATION SPBOAT PAL (HULL#3007->3048) (OWNER ORIENTATION VIDEO - PAL FORMAT)
- 1510544 VIDEO, 01 CANVAS INSTALLATION SUNDECK PAL (HULL#3007->3078) (OWNER ORIENTATION VIDEO - PAL FORMAT)

TELLICO HARDWARE

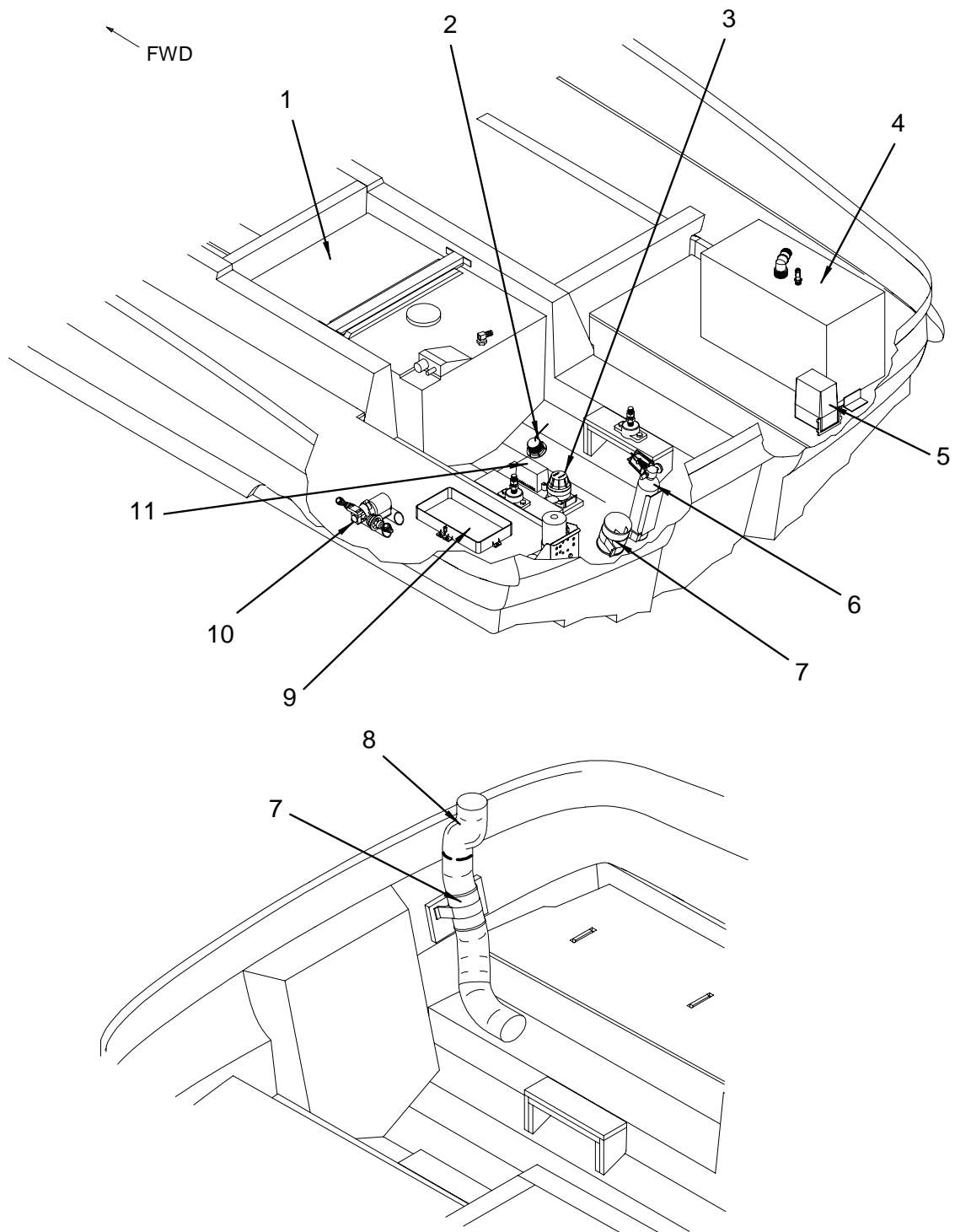
## 2005 TELLICO PLANT HARDWARE

<p>WHITE 10LB</p>  <p>1 → 1450188</p>	 <p>2 → 1781449</p>	<p>2" OFFSET LONG SS</p>  <p>3 → 1781438</p>	 <p>4 → 1118314</p>
<p>STAINLESS STEEL</p>  <p>5 → 1781446</p>	<p>STAINLESS STEEL</p>  <p>6 → 1781437</p>	<p>BLACK</p>  <p>7 → 1365550</p>	<p>CHROME-RH OUT</p>  <p>8 → 1717317</p>
 <p>9 → 1781440</p>	 <p>10 → 1781448</p>	<p>WHITE</p>  <p>11 → 156166</p>	<p>1/4" X 1/2" X 1 3/4" PRL</p>  <p>12 → 1287309</p>
 <p>13 → 1754046</p>	 <p>14 → 1760140</p>	 <p>15 → 1760128</p>	<p>11 1/2" X 3/4" X 1/2" PEARL</p>  <p>16 → 1778647</p>

**TELLICO HARDWARE**

1	1450188	CATCH, GRABBER LATCH W/10LB HOLD WHT
2	1781449	CATCH, PAWL 2.5"STRAIGHT LONG SS
3	1781438	CATCH, PAWL 2"OFFSET LONG SS
4	1118314	CATCH, RBR SUNPAD HOLD-DOWN
5	1781446	LATCH, COMPRESSION 2.5"N/LOCKING SS
6	1781437	LATCH, COMPRESSION 2"N/LOCKING SS
7	1365550	LATCH, FLUSH T-HNDL W/O LOCK BLK
8	1717317	LATCH, OFFSHR MORTISE RH-OUT PRVKNB CHR
	1784623	PLATE, STRIKER OFFSHR MORTISE (FOR 1717317)
9	1781440	PLATE, DEEP BRKT 2"W/HDWR PKG SS
10	1781448	PLATE, SHALLOW BRKT 2.5"W/HDWR PKG SS
11	156166	PULL, DOOR/DRAWER PLAS WHT
12	1287309	SHIM, HDPE 1/4"X 1/2"X 1.75" PRL
13	1754046	SHIM, HDPE 7/16"X 1.25"X 1/4" PRL
14	1760140	SHIM, PVC LADDER HATCH CATCH 1/2" WHT (HULL#3499->4179)
15	1760128	SHIM, PVC LADDER HATCH CATCH 3/4" WHT
16	1778647	STOP, PLEX DOOR WALK THRU PRL

BILGE



**BILGE**

- 1 1771060 TANK, FUEL 240SD 65GAL PLS W/SS SNDR W/CONN
- 1098250 TUBE, P/U FUEL-SPECIFY TANK (FOR#1076223)
- 1433895 TANK, FUEL HDWR 1/2" SS SCREEN
- 1745006 SENDING UNIT, WEMA 18.5" SS W/SCRW & GASKET
- 1758564 ELBOW, SS P/U 3/8"MPT X 1/4"NPT
- 2 1727450 ACC PART, MERC S-CRFT TRNS W/10' NYL DEP/TEMP
- 3 1771004 PUMP, BILGE 1100GPH W/IMPLLR HOUSG VNS W/CONN
- 123901 HOSE, CORR BILGE 1 1/8" BLK
- 256685 CLAMP, HOSE #16 3/4"-1.5" SS .505
- 1524644 GASKET, THRU-HULL 1 29/32" OD
- 1778931 THRU-HULL, SS 1 1/8"BARB SHORT W/RBR GASKET
- 4 1285410 TANK, WATER 240SD-00 18GAL
- 1798062 TUBE, PICK-UP WATER 14.5"
- 5 271445 TRIM TAB, HYD PUMP ONLY 12V
- 1798176 PLUG, TRIM TAB HYD PUMP
- 1798177 COVER, LEXAN TRIM TAB HYD PUMP
- 6 1771026 HALON SYS, AUTO 150CF (1301 HALON) W/CONN  
(HALON FIRE SUPPRESSION SYSTEM - AUTOMATIC)
- 1798060 LIGHT, INDICATOR GREEN 12V  
(HALON FIRE SUPPRESSION SYSTEM - AUTOMATIC)
- 1771030 FIRE EXT SYS, FM200 100CF GAS-AUTO W/CONN  
(CE FIRE SYSTEM - EUROPEAN DEALERS ONLY)
- 7 1771006 BLOWER, BILGE 4" #240MQ W/CONN
- 124016 HOSE, VENT/BLOWER 4" EX HVY DTY
- 1212729 TIE, CABLE 14" BLK W/SS BARB
- 8 124016 HOSE, VENT/BLOWER 4" EX HVY DTY
- 9 130435 HOLDER, BATTERY GR27 BLK NYLON W/SS
- 1324441 CABLE, BATT SET 240SD-00
- 1216514 BOOT, BATTERY CABLE 4/0 BLK 1"
- 1216522 BOOT, BATTERY CABLE 4/0 RED 1"
- 140509 BOOT, ENG STARTER RED
- 1412626 BOOT, E-MODULE RED  
(HULL#3001->3547)
- 10 1771071 PUMP, FRESH WTR SHURFLO 2.8GPM SFT MNT W/CONN
- 1453984 FITTING, NEPT 1/2"FEM SWVL BLK  
(HULL#3001->3851)
- 1210160 TUBING, SEATECH 15MM X 11MM X 250' BLUE  
(HULL#3005->3858)
- 406710 FILTER, IN-LINE WATER 1/2" FPT
- 11 1771033 SWITCH, FLOAT RULE W/CVR W/CONN

**BATTERY ON/OFF SWITCH**

- 1726841 SWITCH, BATTERY ON/OFF N/LCK N/DISC RV1
- 1324458 CABLE, BATT SET 240SD-00 W/OPT BATT SW
- 140509 BOOT, ENG STARTER RED
- 130435 HOLDER, BATTERY GR27 BLK NYLON W/SS
- 1746901 LABEL, CAUTION BATTERY SWITCH OFF/ALT DAMAGED

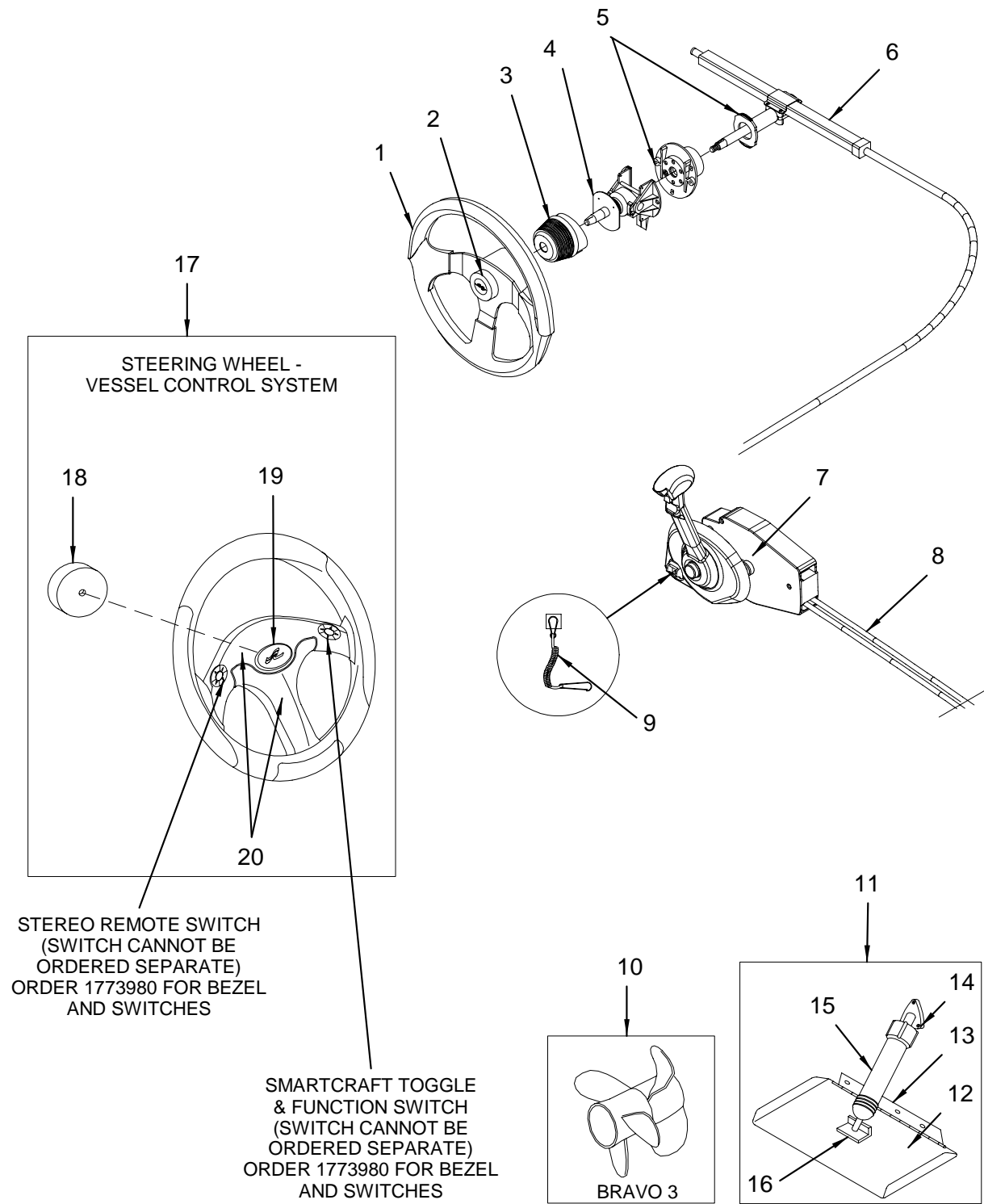
**DUAL BATTERIES**

- 1726840 SWITCH, BATTERY SEL W/O LOCK W/O DISC REV 1
- 1431592 CABLE, BATT SET 240SD-00 W/DUAL BATT KIT
- 130435 HOLDER, BATTERY GR27 BLK NYLON W/SS
- 1216522 BOOT, BATTERY CABLE 4/0 RED 1"
- 1258979 BOOT, BATTERY CABLE 105C "T" BLK 4/0

**NOT SHOWN**

- 1341395 FOAM, P/C 240SD-00 CONV BILGE 2-PC
- 1347053 FOAM, P/C 240SD-00 CONV BILGE 2-PC CE OPT  
(C E OPTION GROUP)
- 1501782 HOSE, CONDUIT/SPLIT 1/2" FLAME RETARDANT
- 1501824 HOSE, CONDUIT/SPLIT 3/4" FLAME RETARDANT
- 130351 PIPE, PVC SCH 20 BOE PIPE 3/4" X 20'
- 1794197 SHIM, HDPE 1"DIA X 1/4" BLACK
- 1787130 HARNESS, 240SD-05 WIRE W/S-CRFT W/CONN RV1
- 1684388 CAP, PROTECT CLAMP RBR .045"X.465-1/2"BLK  
(CORSA THRU-HULL EXHAUST SYSTEM)
- 1797094 MUFFLER, CORSA W/SIDTPS 200SEL/240SD V8/1.7"R  
(CORSA THRU-HULL EXHAUST SYSTEM)
- 256743 CLAMP, HOSE #72 3 1/8"-5" SS .505  
(CORSA THRU-HULL EXHAUST SYSTEM)

**STEERING SYSTEM**





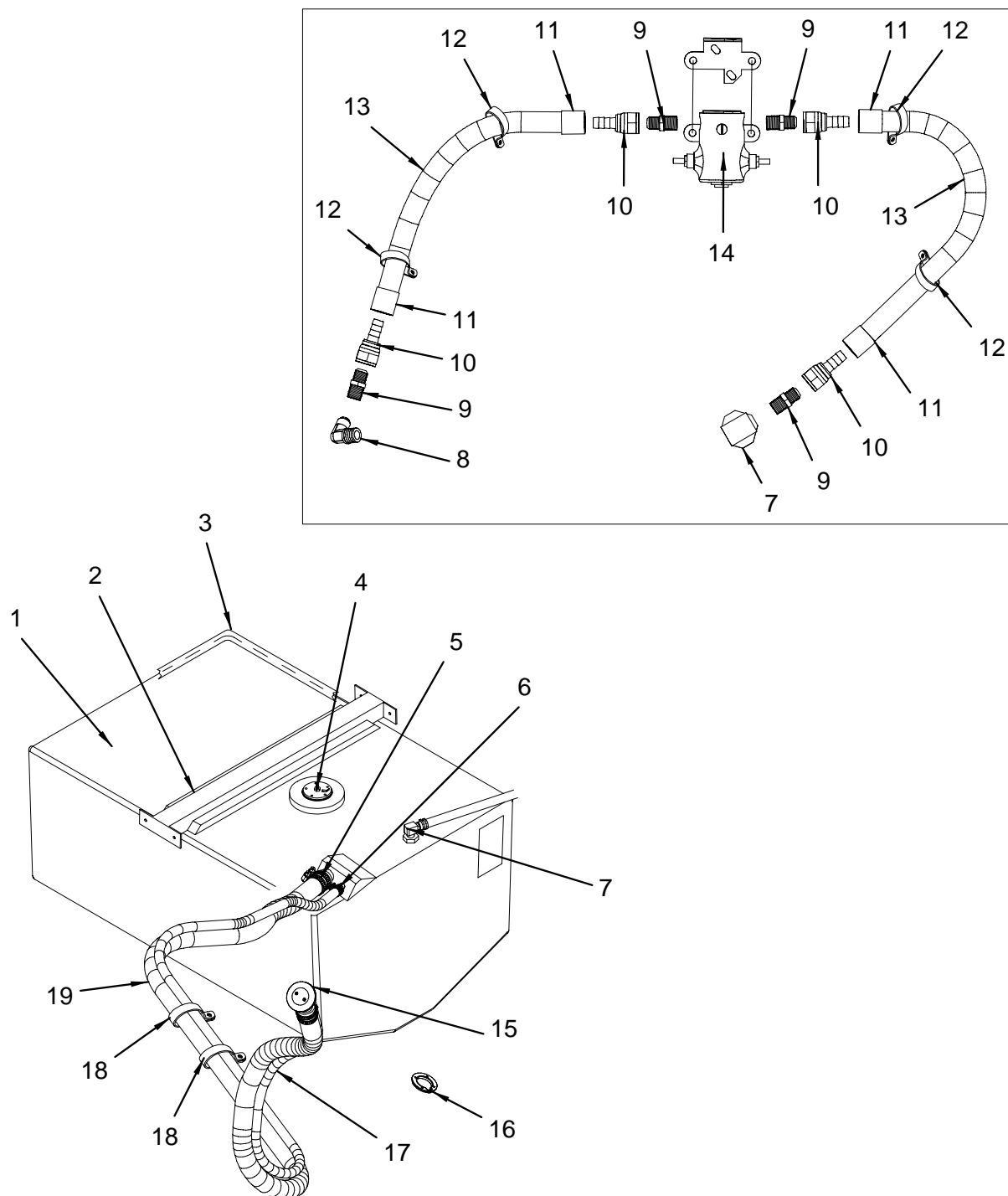
**STEERING SYSTEM**

- 1 1756516 STEERING WHEEL, SPBT-04 BLK/BLK W/METCHPAD
- 758599 HUB KIT, STEERING WHEEL DINO 332
- 1676840 STEERING WHEEL, CHR MEDALLION HLD (1620012)
- 1757779 PAD, STEER WHL CTR SPBT-04 MET CHR Y N/SR LOGO
- 1785024 STEERING WHEEL, BLK WHEEL ONLY (1756516)
- 1785025 STEERING WHEEL, SCREW ONLY (1756516)
- 2 1549666 EMBLEM, S/R WAVE OVAL URET CHR 1.125"X 2.375"
- 3 1092212 STEERING, MOUNT 90 DEG BEZEL ONLY BACK-MNT
- 4 662510 STEERING, PERFORMANCE TILT MECHANISM
- 126987 STEERING, MOUNT 90 DEG BEZEL ONLY
- 958439 STEERING, BELLOWS TILT STEERING BLK
- 1777615 STEERING, PERFORMANCE TILT MECHANISM INTLLWHL  
(STEERING WHEEL - INTEGRATED CONTROL SYSTEM)
- 5 1092246 STEERING, TILT HELM BACK-MNT
- 6 1091867 STEERING, BACK MNT RACK/CABLE 17.0' ASSY
- 7 1754390 CONTROL, SIDE MNT PISTOL GRIP 4000 GEN II I/O
- 8 1757747 CABLE, CONTROL MERC GEN II STD 16 LAY 15'BULK
- 1757745 CABLE, CONTROL MERC GEN II STD 16 LAY 14'BULK
- 9 778928 LANYARD, COILED STOP SWITCH
- 10 708172 PROP, 15.75"X 22" SS BR3 LH
- 708180 PROP, 14.25"X 22" SS BR3 RH
- 708198 PROP, 15.5"X 24" SS BR3 LH  
(24" BRAVO 3 SET (2 COUNTER ROTATING PROPS))
- 708206 PROP, 14.25"X 24" SS BR3 RH  
(24" BRAVO 3 SET (2 COUNTER ROTATING PROPS))
- 708214 PROP, 15.25"X 26" SS BR3 LH  
(26" BRAVO 3 SET (2 COUNTER ROTATING PROPS))
- 708222 PROP, 14"X 26" SS BR3 RH  
(26" BRAVO 3 SET (2 COUNTER ROTATING PROPS))
- 11 1292051 TRIM TAB, ASSY 10X12 PARA W/HDWR/FLUID/P/CACT
- 12 1410612 TRIM TAB, TPA W/MNTG PLATE F/1292051
- 1410570 TRIM TAB, TRIM PLANE ONLY F/1292051
- 13 1410547 TRIM TAB, MOUNTING PLATE FOR 1292051
- 14 1410562 TRIM TAB, UPR HINGE
- 1410539 TRIM TAB, ZINC ONLY (ZINC3)
- 15 1410554 TRIM TAB, ACTUATOR W/10' PRECON
- 16 1743708 TRIM TAB, LWR HINGE
- 1743709 TRIM TAB, LWR HINGE PIN
- 17 1773975 STEERING WHEEL, SPBT INTELIWHEEL METCHRY/BLK  
(STEERING WHEEL - INTEGRATED CONTROL SYSTEM)
- 1774822 HARNESS, INTELIWHEEL S-CRFT CAN INTERFACE 6'  
(STEERING WHEEL - INTEGRATED CONTROL SYSTEM)
- 1736095 CABLE, CLARION REMOTE EXTENSION CABLE 2'  
(STEERING WHEEL - INTEGRATED CONTROL SYSTEM)
- 935080 CABLE, CLARION DUAL REMOTE "Y"  
(STEERING WHEEL - INTEGRATED CONTROL SYSTEM)
- 18 1773984 STEERING, CLOCKSFRING INTELIWHL ASSY PLAS BLK  
(STEERING WHEEL - INTEGRATED CONTROL SYSTEM)
- 19 1786903 EMBLEM, S/R WAVE OVAL CHR W/BZL (INTELIWHEEL)  
(STEERING WHEEL - INTEGRATED CONTROL SYSTEM)
- 20 1773980 STEERING, BEZEL INTELIWHEEL MET CHR/BLK  
(STEERING WHEEL - INTEGRATED CONTROL SYSTEM)

**NOT SHOWN**

- 123604 CLAMP, LOOM VINYL DIP 2.5"
- 1782631 HARNESS, MERC TRIM PUMP ADAPTER
- 1793975 HARNESS, STEERING ADAPTOR F/3.03 TACHS  
(HULL#3544->4157)
- 1507292 HARNESS, ENG SYSTEMS TACH/MONITOR  
(STEERING WHEEL - VESSEL CONTROL SYSTEM)
- 1507326 ACC PART, MERC S-CRFT JUNC BOX 4-WAY  
(STEERING WHEEL - VESSEL CONTROL SYSTEM)
- 1507334 ACC PART, MERC S-CRFT TERMINATOR JUNC BOX  
(STEERING WHEEL - VESSEL CONTROL SYSTEM)
- 1727448 HARNESS, MERC DATA S-CRFT W/TERM 1000-1RSL-25  
(STEERING WHEEL - VESSEL CONTROL SYSTEM)

FUEL SYSTEM



**FUEL SYSTEM**

1	1771060	TANK, FUEL 240SD 65GAL PLS W/SS SNDR W/CONN
2	1278894	BRACKET, FUEL TANK 27.5" 240SD-00
	1497452	TAPE, FOAM NEOPRENE W/3M 9828 3/8"TH X 2"W
3	468934	TAPE, VAC PAK WHT (4"X 36YDS) PRESERVATION
4	1771048	SENDING UNIT, WEMA 18.5" SS W/SCRW&GSKT W/CON
5	256693	CLAMP, HOSE #24 1"-2" SS .505
6	123398	CLAMP, HOSE #06M 5/16"-7/8" SS MINI
	256677	CLAMP, HOSE #12 1/2"-1.25" SS .505
7	1098250	TUBE, P/U FUEL-SPECIFY TANK (FOR#1076223)
8	1758564	ELBOW, SS P/U 3/8"MPT X 1/4"NPT
9	140483	ADAPTER, BRASS 1/4"MPT X 3/8"SAE
10	170589	FITTING, BRASS 3/8"BARB/NUT
11	1478213	FERRULE, FUEL LINE 3/8"ISO/CE
12	123661	CLAMP, LOOM VINYL DIP 1"
13	1497486	HOSE, FUEL 3/8" ISO/CE W/PLAS LINER
14	1791155	VALVE, BRASS FUEL SHUT-OFF 12V SER7000 10W (HULL#3643->UP)
	1782030	VALVE, BRASS FUEL SHUT-OFF ELEC 12V SER7000 (HULL#3153->3642)
	224329	VALVE, BRASS FUEL SHUT-OFF ELEC 12V SKINNER (HULL#3001->3152)
	306936	BRACKET, FUEL SHUT-OFF VALVE (SKINNER-ELEC) (HULL#3001->3166)
	1689600	HARNES, 9' ELEC FUEL SHUTOFF VLV W/TERM 02 (HULL#3001->3565)
15	1109354	DECK PLATE, GAS CHR W/VENT 45DG NCK RED CODE (HULL#3001 & 3984->UP)
	1771034	DECK PLATE, GAS CHR W/VNT 45DG NCK RED W/CONN (HULL#3002->3983)
	1068592	KEY, DECK PLATE CAP
	1213867	DECK PLATE, CAP W/CHAIN GAS (FOR #1109354)
16	1098615	DECK PLATE, GAS CHR W/VENT (SHIM ONLY)
17	123778	HOSE, FUEL 5/8" TYPE A CLASS 2
	1501840	HOSE, CONDUIT/SPLIT 1" FLAME RETARDANT
18	123604	CLAMP, LOOM VINYL DIP 2.5"
19	123745	HOSE, FUEL 1.5" TYPE A CLASS 2
	1501857	HOSE, CONDUIT/SPLIT 1.5" FLAME RETARDANT

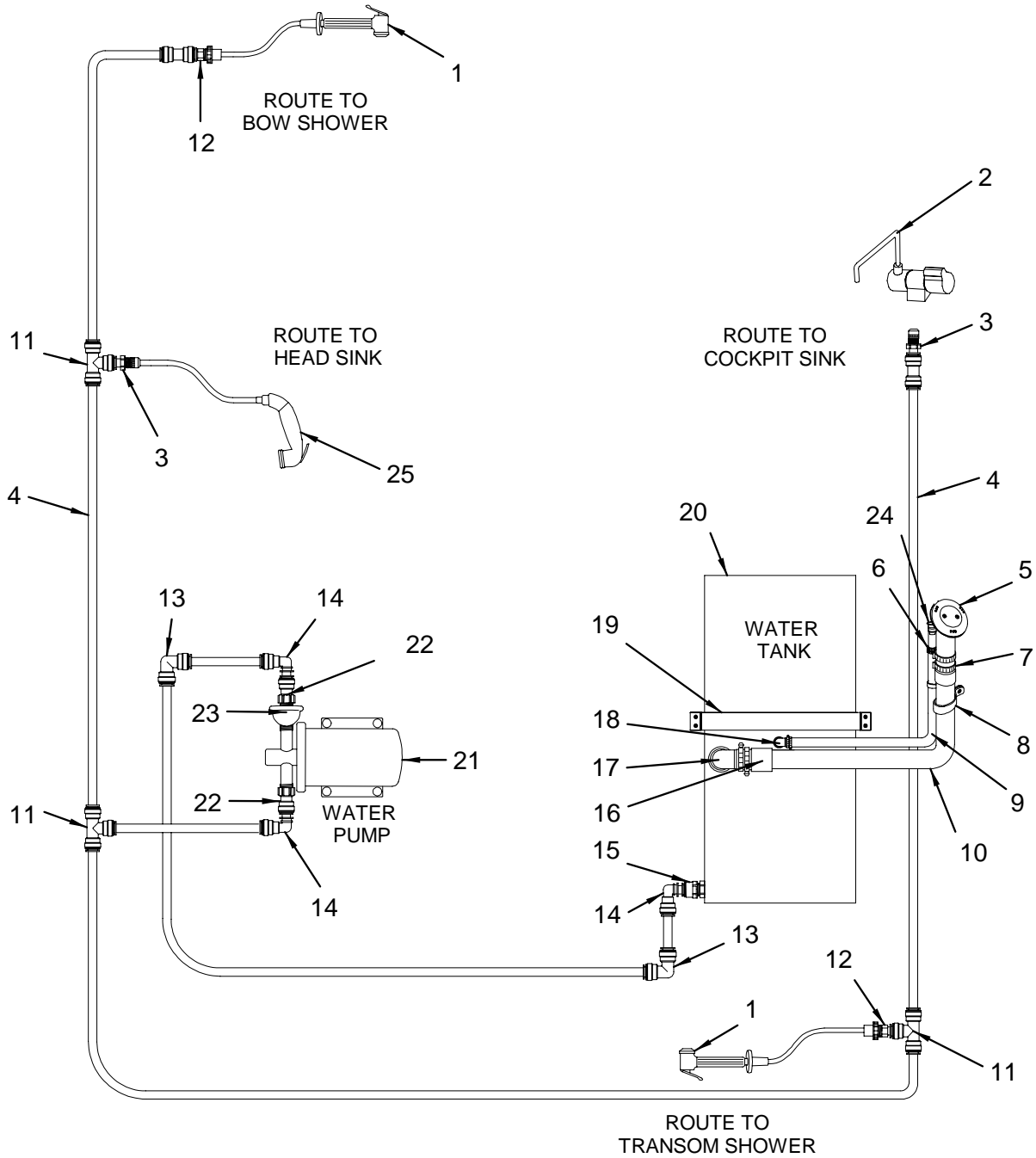
**LABELS**

1745157	LABEL, FUEL RECOMMENDATION
1745512	LABEL, STAY CLEAR OF MOVING PARTS ON ENGINE

**NOT SHOWN**

1069186	ADAPTER, BRASS 3/8"MPT X 1/4"MPT (HULL#3001->3355)
169524	ADAPTER, BRASS 3/8"MPT X 3/8"SAE
141747	ANGLE, PVC 2"X 2"X 1/4"X 10' GREY
263954	CLAMP, HOSE #10 1/2"-1 1/8" SS .505
140467	ELBOW, BRASS 90DEG 3/8"SAE X 1/4"MPT (HULL#3001->3277)

WATER SYSTEM



**WATER SYSTEM**

- 1 1775029 SHOWER, SPRAY BLK NOZZLE W/8' VINYL HOSE  
(HULL#3031->UP)
- 1597921 SHOWER, SPRAY NOZZLE W/8'SS HOSE HVY DUTY  
(HULL#3001->3030)
- 1764405 SHOWER, BLK HANDLE FAUCET SPRAYER NOZZLE  
(HULL#3001->UP)
- 1671254 SHOWER, HOSE 8' SS W/GASKETS  
(HULL#3001->3030)
- 1388743 HOLDER, PLAS SPRAYER PRL  
(HULL#3001->3030)
- 1524644 GASKET, THRU-HULL 1 29/32" OD
- 2 1775010 FAUCET, FOLD DOWN SGL TAP CHR
- 1524677 GASKET, THRU HULL 1 29/64" OD
- 3 1215185 ADAPTER, SEATECH 1/2"M-15MM STEM BRASS
- 4 1210160 TUBING, SEATECH 15MM X 11MM X 250' BLUE  
(HULL#3005->3858)
- 5 1109362 DECK PLATE, WATER CHR W/VNT 45DG NCK BLUE
- 1405844 DECK PLATE, CAP W/CHAIN WATER
- 1068592 KEY, DECK PLATE CAP
- 6 123398 CLAMP, HOSE #06M 5/16"-7/8" SS MINI
- 7 256693 CLAMP, HOSE #24 1"-2" SS .505
- 8 123604 CLAMP, LOOM VINYL DIP 2.5"
- 9 1775071 HOSE, WATER 5/8" BLK REINF PVC
- 10 490219 HOSE, CORR SAN/WATER-FILL 1.5" RH
- 11 1214824 TEE, SEATECH EQUAL 15MM
- 12 1215185 ADAPTER, SEATECH 1/2"M-15MM STEM BRASS
- 13 1214832 ELBOW, SEATECH 90DEG EQUAL 15MM
- 14 1214840 ELBOW, SEATECH 90DEG STEM 15MM
- 15 1216308 ADAPTER, SEATECH STRAIGHT 1/2"M-15MM BRASS
- 16 172726 HOSE CUFF, 1.5" RH WHT
- 17 130344 ELBOW, PVC 1.5"MPT X 1.5"BARB X 90DEG
- 18 167874 ELBOW, GENOVA 1/2"MPT X 1/2"BARB X 90DEG
- 19 1780779 240SD 05,STRAP,WTR TANK HOLDDOWN ALUM
- 1497452 TAPE, FOAM NEOPRENE W/3M 9828 3/8"TH X 2"W
- 129247 BAR, ALUM FLAT 1/8"X 2"X 12"
- 20 1285410 TANK, WATER 240SD-00 18GAL
- 1798062 TUBE, PICK-UP WATER 14.5"
- 1687447 TANK, WATER - 10GAL W/VENT & FILL FITNGS  
(CORSA THRU-HULL EXHAUST SYSTEM)
- 334417 ADAPTER, PVC 1/2"MPT X 1/2"BARB X 90 DEG  
(CORSA THRU-HULL EXHAUST SYSTEM)
- 1745838 ADAPTER, PVC 1.5"MPT X 1.5"BARB  
(CORSA THRU-HULL EXHAUST SYSTEM)
- 21 1771071 PUMP, FRESH WTR SHURFLO 2.8GPM SFT MNT W/CONN
- 22 1453984 FITTING, NEPT 1/2"FEM SWVL BLK  
(HULL#3001->3851)
- 23 1797944 FILTER, IN-LINE WATER 1/2"MPSM X 1/2"NPSF  
(HULL#4061->UP)
- 406710 FILTER, IN-LINE WATER 1/2" FPT  
(HULL#3001->4060)
- 24 1777214 VENT, FUEL/WATER SS 5/8" FLSH STRAIGHT  
(PUMP-OUT HEAD)  
(VACUUM FLUSH HEAD W/HOLDING TANK)
- 25 1689704 SHOWER, SPRAY NOZZLE ANGLE BASE W/6'SS HOSE  
(HULL#3006->UP) (SS HOSE NOT SOLD SEPARATELY)
- 1764405 SHOWER, BLK HANDLE FAUCET SPRAYER NOZZLE  
(HULL#3006->UP)
- 1775010 FAUCET, FOLD DOWN SGL TAP CHR  
(HULL#3001->3005)

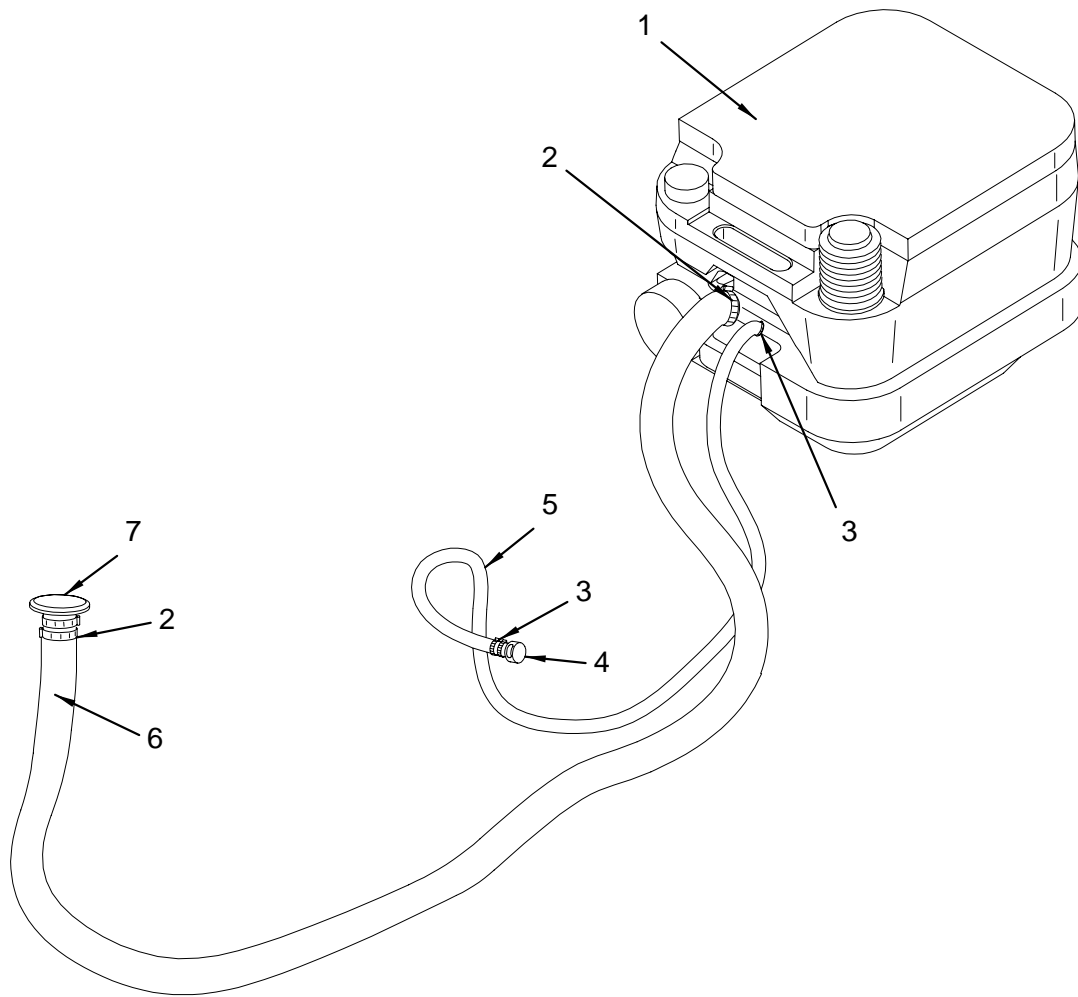
**LABELS**

- 1743534 LABEL, FRESH WATER (LEXAN)  
(HULL#3042->3558)

**NOT SHOWN**

- 141747 ANGLE, PVC 2"X 2"X 1/4"X 10' GREY
- 123661 CLAMP, LOOM VINYL DIP 1"
- 1215235 CLIP, SEATECH COLLET 15MM  
(HULL#3159->4018)
- 466664 HOSE, CORR VAC 1" RH
- 1789703 ELBOW, ZURN 1/2" BARB
- 1789706 TEE, ZURN 1/2" BARB
- 1789708 ELBOW, ZURN 1/2" SWIVEL
- 1789718 CLAMP, CRIMP RING ZURN 1/2"
- 1789743 ELBOW, ZURN 1/2"MPT X 1/2" BARB
- 1789748 NIPPLE, ZURN 1/2" CLOSE
- 1791377 TEE, ZURN 2 ENDS 1/2" BARB X 1/2" MPT BRASS
- 1795915 TUBING, ZURN 1/2"X 20' BLUE

## SEWAGE SYSTEM (PUMP-OUT HEAD)



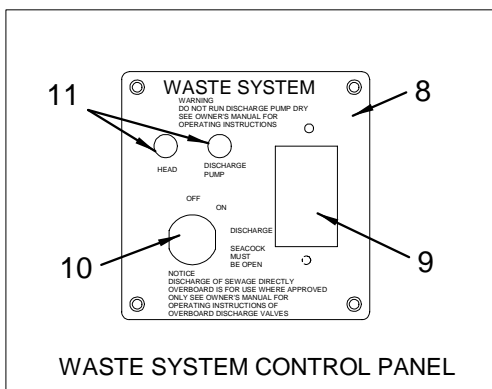
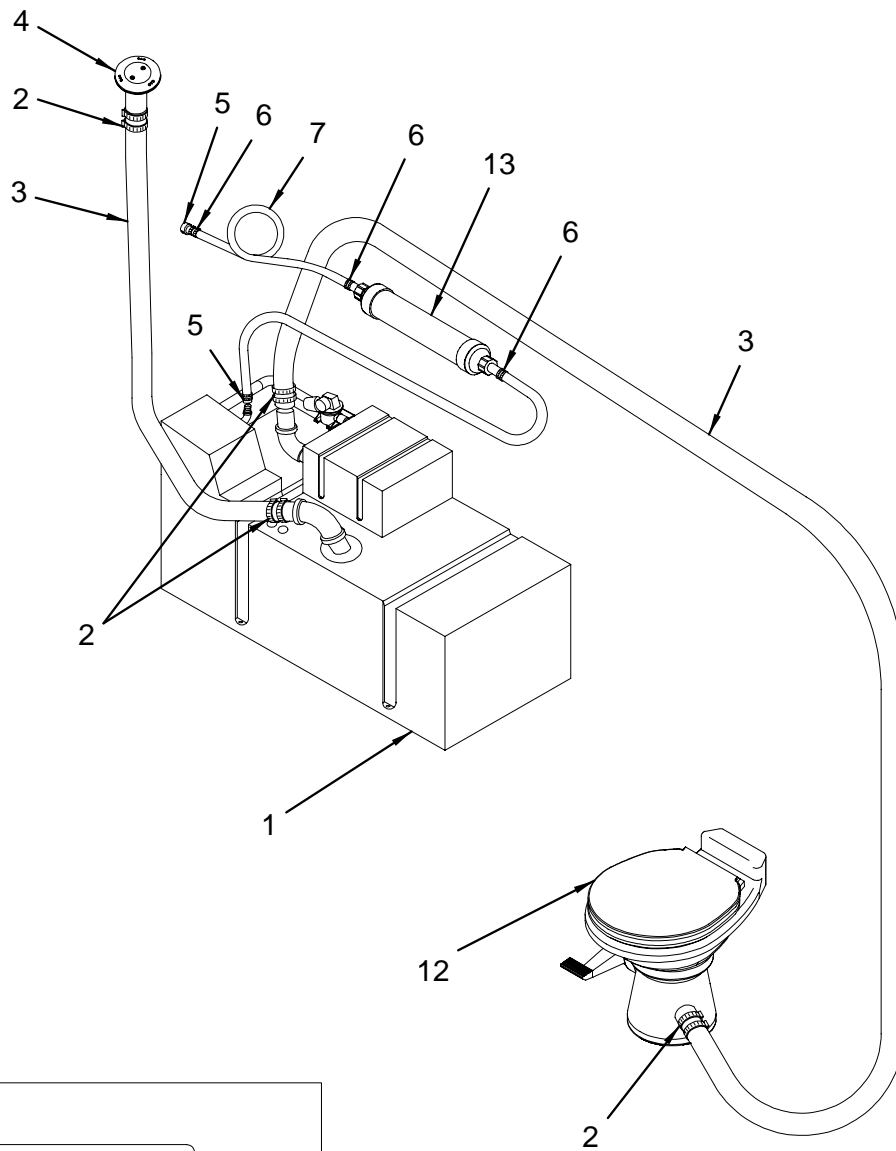
## SEWAGE SYSTEM (PUMP-OUT HEAD)

- |   |         |   |
|---|---------|---|
| 1 | 595504  | HEAD, PORTABLE MSD SANI POTTI PARCHMENT 3.0GL |
|   | 1783917 | SEAT ASSY, CVR/SEAT/HNG PIN PRCHMNT           |
| 2 | 256693  | CLAMP, HOSE #24 1"-2" SS .505                 |
| 3 | 263954  | CLAMP, HOSE #10 1/2"-1 1/8" SS .505           |
| 4 | 1777214 | VENT, FUEL/WATER SS 5/8" FLSH STRAIGHT        |
| 5 | 124719  | HOSE, SANI/CHEMICAL TDX 5/8"                  |
| 6 | 123844  | HOSE, SANI/SMOOTH WALL 1.5"                   |
| 7 | 1355585 | DECK PLATE, WASTE CHR STRAIGHT NCK BLK CODE   |
|   | 522599  | KEY, DECK PLATE CAP                           |
|   | 1474790 | DECK PLATE, CAP W/GASKET                      |

## NOT SHOWN

- |  |         |  |
|--|---------|--|
|  | 129189  | ANGLE, ALUM 1/8"X 1.5"X 1.5"X 16'      |
|  | 1501840 | HOSE, CONDUIT/SPLIT 1" FLAME RETARDANT |
|  | 1789686 | ADAPTER, ZURN STRAIGHT 1/2" SWIVEL     |
|  | 1799204 | NUT, ZURN 1/2" WINGLESS                |

SEWAGE SYSTEM (VACUUM FLUSH HEAD W/HOLDING TANK)



**SEWAGE SYSTEM (VACUUM FLUSH HEAD  
W/HOLDING TANK)**

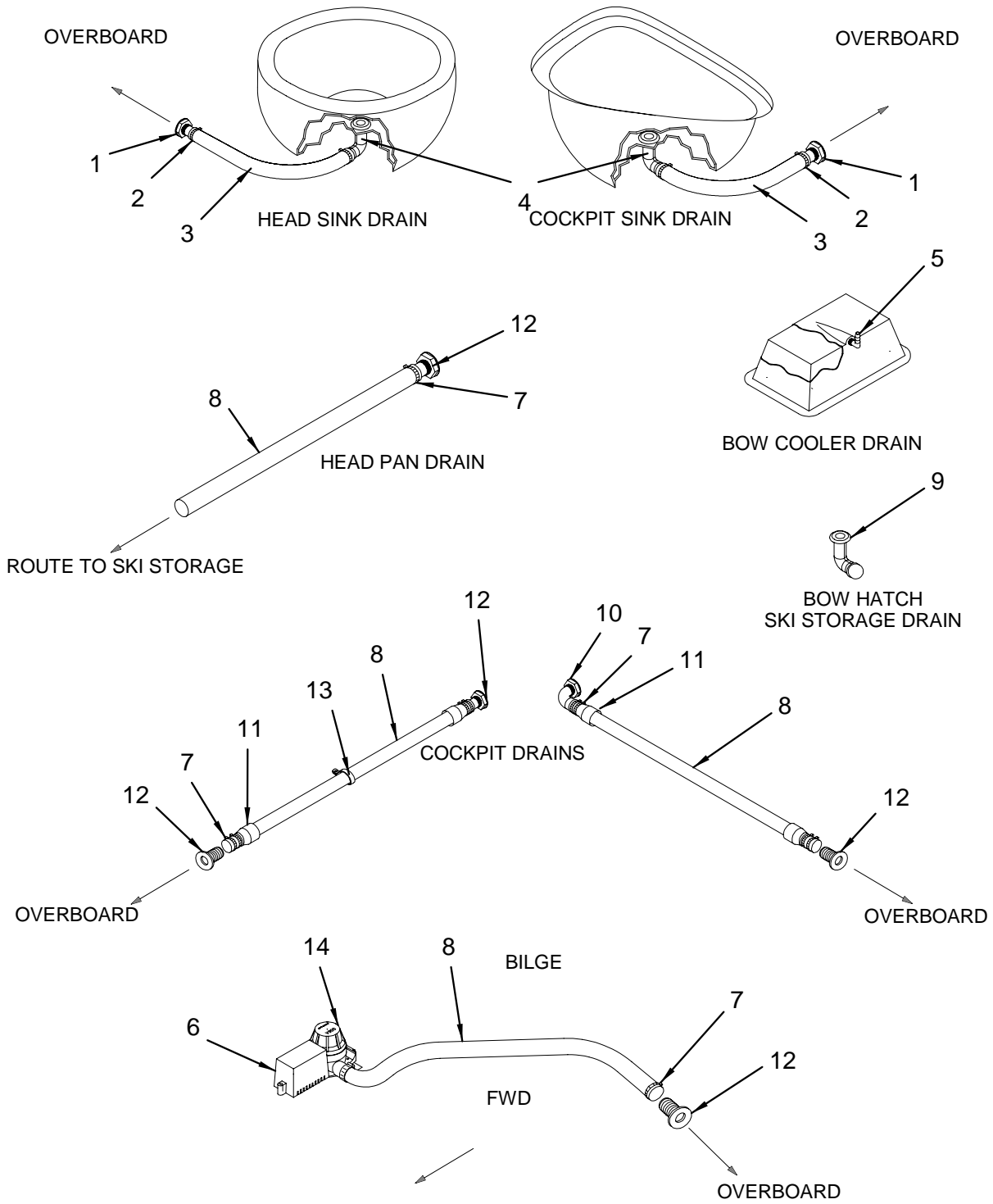
1	1745173	TANK, W/HEAD@10GAL HTS W/SEND V/G WOOD
	1737660	TANK, HOLDING 10 GAL HTS 12VDC (TANK ONLY)
	1777918	HARNES, 240SD-05 WASTE SYSTEM (HULL#3035->UP)
	1742192	HARNES, 240SD-03 WASTE SYSTEM (HULL#3001->3034)
2	256693	CLAMP, HOSE #24 1"-2" SS .505
3	123844	HOSE, SANI/SMOOTH WALL 1.5"
4	1355585	DECK PLATE, WASTE CHR STRAIGHT NCK BLK CODE
	1068592	KEY, DECK PLATE CAP
	1474790	DECK PLATE, CAP W/GASKET
5	1777214	VENT, FUEL/WATER SS 5/8" FLSH STRAIGHT
6	263954	CLAMP, HOSE #10 1/2"-1 1/8" SS .505
7	124719	HOSE, SANI/CHEMICAL TDX 5/8"
8	1188945	PANEL, 260DA-99 WASTE SYS CNTRL
9	893800	PANEL, WASTE LEVEL INDICATOR 12V
10	557785	SWITCH, IGN STARTER
11	533109	BRKR, P/BTN-MANUAL RESET 10A
12	1542851	HEAD, VACU-FLUSH BONE 147 (ECOVAC) LOW PRFILE
13	134759	FILTER, HEAD TREATMENT SYSTEM

**NOT SHOWN**

	1795915	TUBING, ZURN 1/2"X 20' BLUE
	1214824	TEE, SEATECH EQUAL 15MM
	1214832	ELBOW, SEATECH 90DEG EQUAL 15MM
	1506716	TIE, CABLE 15.5" W/3/4" SCREW/PLAS WASHER
	1506732	TIE, CABLE 8.5" W/3/4" SCREW/PLAS WASHER
	1545128	ADAPTER, SEATECH 1/2"UST X 15MM W/O WINGS
	1748071	COVER, HDPE 240SD-03 VACU FLUSH HEAD ACCESS
	266023	FUSE, BLADE TYPE ATO 20A



DRAINAGE SYSTEM



**DRAINAGE SYSTEM**

- 1 1778933 THRU-HULL, SS 5/8" BARB SHORT W/RBR GASKET  
1524677 GASKET, THRU HULL 1 29/64" OD
- 2 417998 CLAMP, HOSE #04M 1/4"-5/8" SS MINI
- 3 1775071 HOSE, WATER 5/8" BLK REINF PVC
- 4 1779333 DRAIN, FLAT HEAD 5/8" LEFT  
1780445 DRAIN ASSY, STOPPER #4203 LONG BLK
- 5 167874 ELBOW, GENOVA 1/2" MPT X 1/2" BARB X 90 DEG
- 6 1771033 SWITCH, FLOAT RULE W/CVR W/CONN
- 7 256685 CLAMP, HOSE #16 3/4"-1.5" SS .505
- 8 123901 HOSE, CORR BILGE 1 1/8" BLK
- 9 266130 DRAIN, LINER W/90 DEG ELBOW 1" PLASTIC
- 10 1392794 THRU-HULL, PLAS 1 1/8" TUBE X 90 DEG PRL
- 11 466615 HOSE CUFF, 1" RH WHT
- 12 1778931 THRU-HULL, SS 1 1/8" BARB SHORT W/RBR GASKET  
1524644 GASKET, THRU-HULL 1 29/32" OD
- 13 123661 CLAMP, LOOM VINYL DIP 1"
- 14 1771004 PUMP, BILGE 1100GPH W/IMPLLR HOUSG VNS W/CONN

**350 MAG MPI BR 3 ( 300 PHP ) MCM STERN DR.**

1687181	BOOT, PVC TERM INSUL CAP(485N9V02)RED
1791388	DECAL, MERCURY CERTIFIED INSTALLER
1086990	OUTDRIVE UNIT, MERC BRAVO III 2.20:1
1778015	OUTDRIVE UNIT, MERC BRAVO III 2.20:1 '05
1778093	S/D, MERC 300HP 350MAG BR RSR
1738452	S/D, MERC 300HP 350MAG MPI DE BRIII W/RSR

**MX 6.2L MPI BR 3 (320 PHP) MCM STERN DRIVE**

1687181	BOOT, PVC TERM INSUL CAP(485N9V02)RED
1791388	DECAL, MERCURY CERTIFIED INSTALLER
1086990	OUTDRIVE UNIT, MERC BRAVO III 2.20:1
1778015	OUTDRIVE UNIT, MERC BRAVO III 2.20:1 '05
1778100	S/D, MERC 320HP 6.2MPI BR RSR
1738461	S/D, MERC 320HP MX6.2 MPI DE BRIII W/RSR

**5.0L MPI BR 3 ( 260 PHP ) MCM STERN DRIVE**

1687181	BOOT, PVC TERM INSUL CAP(485N9V02)RED
1791388	DECAL, MERCURY CERTIFIED INSTALLER
169474	ELBOW, BRASS 90DEG 3/8"SAE X 3/8"MPPT
1086990	OUTDRIVE UNIT, MERC BRAVO III 2.20:1
1778015	OUTDRIVE UNIT, MERC BRAVO III 2.20:1 '05
1738460	S/D, MERC 260HP 5.0L MPI DE BRIII W/RSR
1778068	S/D, MERC 260HP 5.0MPI BR RSR

**TWO BUCKET SEATS W/ SUN LOUNGER SEATING PKG**

129189	ANGLE, ALUM 1/8"X 1.5"X 1.5"X 16'
964890	BRACKET, H/S FOLDUP 2PC RV2
795286	CARPET, EXT 12 OZ CHAR #0326 LT NEEDLE PUNCH
1736611	FOAM, P/C 240SD-03 BOW BLSTR W/PRT BKT
1737700	FOAM, P/C 240SD-03 BOW CUSH W/PRT BKT
1781287	FOAM, P/C 240SD-05 BOW BLSTR W/PRT BKT
1441260	FOAM, P/C BKT SEAT W/THGHS-01
1645712	HIDEM, GRANDE FLAX 5/8"
1621358	HIDEM, GRANDE PLATINUM 5/8"
1752705	HIDEM, GRANDE STINGER CREAM 5/8"
1687646	HIDEM, SEABROOK EBONY 5/8"
1750873	HOLDER, DRINK SS 2-RING 3" (KING)
1154012	PEDESTAL, ALUM 7.75" RIBBED W/DELICUP
1690896	PLATE, ALUM 1/4"X 2"X 9.75" W/2" TAPPED HOLES
1768943	PVC BOARD, 1/2"X 4'X 8' SR PRL INTEFOAM
1780393	RAIL, GRAB 8.5" 316L SS W/GASKET
1794992	RAIL, GRAB 8.5" 316L SS W/SHORT 7/8" STUDS
1630342	RAIL, GRAB BAJA 8 5/8" SS W/STUD
1441195	SHELL, BKT SEAT SPBT/SPCR-01 W/THGHS
1474956	SLEEVE, BKT SEAT SPBT/SPCR 01 THIGH-RISE
1754578	SLIDE ASSY, SEAT MILLENIUM 10.5" M/H LONG HDL
1579788	VINYL, GRANDE D FLAX EXP FLAT
1579820	VINYL, GRANDE D PLATINUM EXP 1/4" F/B
1579838	VINYL, GRANDE D PLATINUM EXP FLAT
1752136	VINYL, MERRITT STINGER CREAM EXP 1/4" F/B
1752133	VINYL, MERRITT STINGER CREAM EXP FLAT
1778337	VINYL, NICKEL SR-4983A EXP FLAT
1600261	VINYL, SEABROOK D PLATINUM EXP FLAT

**2ND STEREO REMOTE CONTROL -TRANSOM**

935080	CABLE, CLARION DUAL REMOTE "Y"
1312750	CABLE, CLARION REMOTE EXTENSION CABLE 24'
1755469	STEREO, REMOTE CNTRL W/DIG DSPLY FOR XMD3 BLK

**PREMIER STEREO UPGRADE W/ AMP & SUBWOOFER**

1750880	CABLE, RCA AUDIO 6' W/EFX-2 CONN W/NOISE SUPP
1773444	GRILL, SPEAKER SUBWOOFER 10" ACOM BLK
1773445	GRILL, SPEAKER SUBWOOFER 10" ACOM WHT
1736988	HARNESS, 220/240SD-03 STEREO AMP
1777917	HARNESS, 220/240SD-05 STEREO AMP
1773440	SPEAKER, 10" SUBWOOFER ACOM N/CVR
1755999	SPEAKER, 10" SUBWOOFER ACOM W/WHT CVR
1598853	STEREO, AMP CLARION APX400 4M
1782017	STEREO, AMP CLARION APX480M

**WAKE BOARD RACKS (MUST ORDER SPORTS TOWER)**

1749928	SUPPORT, SR ALUM WAKEBOARD RACK ANODIZED
---------	--

**STEERING WHEEL - VESSEL CONTROL SYSTEM**

1507326	ACC PART, MERC S-CRFT JUNC BOX 4-WAY
1507334	ACC PART, MERC S-CRFT TERMINATOR JUNC BOX
935080	CABLE, CLARION DUAL REMOTE "Y"
1736095	CABLE, CLARION REMOTE EXTENSION CABLE 2'
1312750	CABLE, CLARION REMOTE EXTENSION CABLE 24'
1786903	EMBLEM, S/R WAVE OVAL CHR W/BZL (INTELLIWHEEL)

**STEERING WHEEL - VESSEL CONTROL SYSTEM (continued)**

1777617	GAUGE, SYS TACH 3" S-CRFT 0-7000RPM RV2
1507292	HARNESS, ENG SYSTEMS TACH/MONITOR
1774822	HARNESS, INTELIWHEEL S-CRFT CAN INTERFACE 6'
1727448	HARNESS, MERC DATA S-CRFT W/TERM 1000-1RSL-25
1773975	STEERING WHEEL, SPBT INTELIWHEEL MET CHRY/BLK
1773980	STEERING, BEZEL INTELIWHEEL MET CHRY/BLK
1773984	STEERING, CLOCKSPPRING INTELIWHL ASSY PLAS BLK
1777615	STEERING, PERFORMANCE TILT MECHANISM INTLLWHL

**INTERNATIONAL VINYL PACKAGE**

1752136	VINYL, MERRITT STINGER CREAM EXP 1/4" F/B
1752133	VINYL, MERRITT STINGER CREAM EXP FLAT

**24" BRAVO 3 SET (2 COUNTER ROTATING PROPS)**

708206	PROP, 14.25"X 24" SS BR3 RH
708198	PROP, 15.5"X 24" SS BR3 LH

**26" BRAVO 3 SET (2 COUNTER ROTATING PROPS)**

708222	PROP, 14"X 26" SS BR3 RH
708214	PROP, 15.25"X 26" SS BR3 LH

**PUMP-OUT HEAD**

129189	ANGLE, ALUM 1/8"X 1.5"X 1.5"X 16'
263954	CLAMP, HOSE #10 1/2"-1 1/8" SS .505
256693	CLAMP, HOSE #24 1"-2" SS .505
1355585	DECK PLATE, WASTE CHR STRAIGHT NCK BLK CODE
618702	GASKET, 1"OD X 3/4"ID X 1/16"
595504	HEAD, PORTABLE MSD SANI POTTI PARCHMENT 3.0GL
1501840	HOSE, CONDUIT/SPLIT 1" FLAME RETARDANT
124719	HOSE, SANI/CHEMICAL TDX 5/8"
123844	HOSE, SANI/SMOOTH WALL 1.5"
522599	KEY, DECK PLATE CAP
1777214	VENT, FUEL/WATER SS 5/8" FLSH STRAIGHT
126888	VENT, FUEL/WATER TANK 5/8"X 3"

**VACUUM FLUSH HEAD W/HOLDING TANK**

1545128	ADAPTER, SEATECH 1/2"UST X 15MM W/O WINGS
1789686	ADAPTER, ZURN STRAIGHT 1/2" SWIVEL
1789718	CLAMP, CRIMP RING ZURN 1/2"
263954	CLAMP, HOSE #10 1/2"-1 1/8" SS .505
256677	CLAMP, HOSE #12 1/2"-1.25" SS .505
256693	CLAMP, HOSE #24 1"-2" SS .505
1748071	COVER, HDPE 240SD-03 VACU FLUSH HEAD ACCESS
1355585	DECK PLATE, WASTE CHR STRAIGHT NCK BLK CODE
1214832	ELBOW, SEATECH 90DEG EQUAL 15MM
266023	FUSE, BLADE TYPE ATO 20A
1742192	HARNESS, 240SD-03 WASTE SYSTEM
1777918	HARNESS, 240SD-05 WASTE SYSTEM
124719	HOSE, SANI/CHEMICAL TDX 5/8"
123844	HOSE, SANI/SMOOTH WALL 1.5"
1188945	PANEL, 260DA-99 WASTE SYS CNTRL
1745173	TANK, W/HEAD@10GAL HTS W/SEND V/G WOOD
1214824	TEE, SEATECH EQUAL 15MM
1789706	TEE, ZURN 1/2" BARB
1506716	TIE, CABLE 15.5" W/3/4" SCREW/PLAS WASHER
1506732	TIE, CABLE 8.5" W/3/4" SCREW/PLAS WASHER
1210160	TUBING, SEATECH 15MM X 11MM X 250' BLUE
1795915	TUBING, ZURN 1/2"X 20' BLUE
1777214	VENT, FUEL/WATER SS 5/8" FLSH STRAIGHT
126888	VENT, FUEL/WATER TANK 5/8"X 3"

**CHARCOAL CANVAS OPTION**

1793333	CANVAS, 240SD-05 BIM TOP BOOT EMB CHAR
1793332	CANVAS, 240SD-05 BIM TOP CHAR

**FM-200 OPT. FIRE SUPPRESSION SYS-CAN. & AUS.**

1771030	FIRE EXT SYS, FM200 100CF GAS-AUTO W/CONN
---------	---

**TWO TONE GELCOAT GRAPHICS**

1791044	GEL COAT, VIBRANT YELLOW
1690266	GEL COAT, YELLOW ARMORCOTE
1597491	TAPE, SOLID 3/4" UM LT ANTELOPE
1690443	TAPE, SOLID 3/8" PRL

**SIRIUS SATELLITE RADIO**

1757933	ANTENNA, SHAKESPEARE SATELLITE RADIO ANTENNA
1766115	PACKET, SIRIUS WELCOME KIT
1768304	STEREO, SIRIUS SATELLITE RCVR SIRCL1-1YR

**SPEAKERS FOR WATER SPORTS TOWER**

1790333 SPEAKER, TOWER 6100 INFINITY W/AMP-MIC  
 1796292 TOWER, 240SD-05 ALUM TOWER W/LT & SPKR  
 126870 VENT, CLAMSHELL ROPE LCKR 1 5/8"X 1.5"

**BATTERY ON / OFF SWITCH**

140509 BOOT, ENG STARTER RED  
 1324458 CABLE, BATT SET 240SD-00 W/OPT BATT SW  
 1746901 LABEL, CAUTION BATTERY SWITCH OFF/ALT DAMAGED  
 1726841 SWITCH, BATTERY ON/OFF N/LCK N/DISC RV1

**WATER SPORTS TOWER W/ STD BIMINI TOP**

1745125 LABEL, SKI TOW ROPE BACKLASH  
 929026 LIGHT, NAV A/R STERN 84" RG SLIP COLLAR  
 1747881 TOWER, 240SD-04 ALUM WTR SPRTS  
 1756513 TOWER, 240SD-04 WTR SPRTS HDWR KIT

**FIRE SUPPRESSION SYSTEM - AUTOMATIC**

153999 CONN, RING 16/14GA X 8R W/INSUL  
 1771026 HALON SYS, AUTO 150CF (1301 HALON) W/CONN  
 196337 HALON SYS, AUTOMATIC 150CF (1301 HALON)

**BATTERY SWITCH-DUAL W/ 2ND TRAY SINGLE ENG.**

1258979 BOOT, BATTERY CABLE 105C "T" BLK 4/0  
 1216522 BOOT, BATTERY CABLE 4/0 RED 1"  
 1431592 CABLE, BATT SET 240SD-00 W/DUAL BATT KIT  
 130435 HOLDER, BATTERY GR27 BLK NYLON W/SS  
 1726840 SWITCH, BATTERY SEL W/O LOCK W/O DISC REV 1

**COCKPIT COVER W/ TONNEAU COVER**

1753502 CANVAS, 240SD-04 BIM CPC W/SNPS RED  
 1753499 CANVAS, 240SD-04 TONNEAU CVR W/SNPS RED  
 1092162 CANVAS, STRG BAG 12X38 CLOUDBRST TONNEAU/CKPT

**BIMINI CANVAS PACKAGE**

1753496 CANVAS, 240SD-04 AFT CURT W/SNPS RED  
 1753498 CANVAS, 240SD-04 CPC N/SNPS RED  
 1753494 CANVAS, 240SD-04 SIDE CURT SET W/SNPS RED  
 1753499 CANVAS, 240SD-04 TONNEAU CVR W/SNPS RED  
 1753493 CANVAS, 240SD-04 VISOR CURT 3PC CLR/RED  
 1780206 CANVAS, 240SD-05 SIDE CURT SET W/SNPS RED  
 1780203 CANVAS, 240SD-05 VISOR CURT 3PC CLR/RED  
 1092162 CANVAS, STRG BAG 12X38 CLOUDBRST TONNEAU/CKPT  
 819524 CANVAS, STRG BAG 19.5X54 GREY 95

**TRANSOM TRIM SWITCH**

747261 SWITCH, TILT EXTERNAL MOUNT

**CD CHANGER, 6 DISC**

1733835 STEREO, CD CHANGER 6-DISC DCZ625 C-NET

\*\*\*\*\*

1757933 ANTENNA, SHAKESPEARE SATELLITE RADIO ANTENNA  
 1768304 STEREO, SIRIUS SATELLITE RCVR SIRCL1-1YR

**C E OPTION GROUP**

140509 BOOT, ENG STARTER RED  
 1324458 CABLE, BATT SET 240SD-00 W/OPT BATT SW  
 1347053 FOAM, P/C 240SD-00 CONV BILGE 2-PC CE OPT  
 1745514 LABEL, PREVENT DISCHARGE OF POLLUTANTS  
 1691479 MANUAL, OWNERS - SEA RAY INT'L 12-LANGUAGE  
 935155 PLATE, CE OPT C:240SD/12PERSON/950KG  
 1726841 SWITCH, BATTERY ON/OFF N/LCK N/DISC RV1  
 413070 TAPE, VAC PAK WHT (2"X 36YDS) PRESERVATION

**C E FIRE SYSTEM - EUROPEAN DEALERS ONLY**

934950 FIRE EXT SYS, FM200 100CF GAS-AUTO  
 1771030 FIRE EXT SYS, FM200 100CF GAS-AUTO W/CONN

**2.43 TO 1 BRAVO 3 HIGH ALTITUDE GEAR RATIO**

949198 OUTDRIVE (HI-ALT), MERC BR-III 2.43:1  
 1778005 OUTDRIVE (HI-ALT), MERC BR-III 2.43:1 '05

**FORWARD BIMINI TOP & BOOT**

1753501 CANVAS, 240SD-04 CAMP TOP BOOT W/EMB RED  
 1753500 CANVAS, 240SD-04 CAMP TOP RED  
 929026 LIGHT, NAV A/R STERN 84" RG SLIP COLLAR

**OWNER ORIENTATION VIDEO - PAL FORMAT**

1777029 DVD, 01 CANVAS INSTALLATION SUNDECK  
 1510544 VIDEO, 01 CANVAS INSTALLATION SUNDECK PAL  
 968339 VIDEO, 97 OWNER ORIENTATION SPBOAT PAL

**FORWARD COCKPIT TABLE**

876979 BASE, LEG/POST SURF MT ALUM  
 795286 CARPET, EXT 12 OZ CHAR #0326 LT NEEDLE PUNCH  
 929836 POST, TABLE LEG 24.875" ANOD FLUTED  
 1768943 PVC BOARD, 1/2"X 4'X 8' SR PRL INTEFOAM  
 1148519 TABLE, T/F CKPT ROUND PRL 99

**BOW FILLER CUSHION (S)**

1764584 BOARD, HDPE 1/2"X 4'X 8' PEARL  
 1355536 FOAM, P/C 240SD-00 BOW FILLER 2-PC SET  
 1745515 LABEL, WARNING DO NOT STAND/WALK THIS AREA  
 773630 MESH, WHITE 54"  
 180406 SLIDE, DELRIN #5 WHT 1-S LOCK  
 283069 VINYL FILM, PLAS 1MM X 5'X 830YD  
 1579820 VINYL, GRANDE D PLATINUM EXP 1/4"F/B  
 1579838 VINYL, GRANDE D PLATINUM EXP FLAT  
 1752136 VINYL, MERRITT STINGER CREAM EXP 1/4"F/B  
 1752133 VINYL, MERRITT STINGER CREAM EXP FLAT  
 180182 ZIPPER, #5 DELRIN CONTINUOUS WHT

**CANADIAN CONFORMITY STICKER**

1741218 LABEL, STICKER 240SD CANADIAN CONFORMITY

**WATER SPORTS TOWER W/WAKEBOARD RACKS**

1786803 HARNESS, TOWER 87"  
 1745125 LABEL, SKI TOW ROPE BACKLASH  
 929026 LIGHT, NAV A/R STERN 84" RG SLIP COLLAR  
 1783635 SUPPORT, SR-05 ALUM WAKEBOARD RACK ANODIZED  
 1747881 TOWER, 240SD-04 ALUM WTR SPRTS  
 1756513 TOWER, 240SD-04 WTR SPRTS HDWR KIT  
 1781321 TOWER, 240SD-05 ALUM WTR SPRTS W/STERN LIGHT  
 126870 VENT, CLAMSHELL ROPE LCKR 1 5/8"X 1.5"  
 1785695 VINYL FILM, 240SD-05 PLAS CVR W/VENTS W/TWR