

2005 420DB

PARTS MANUAL

420

SEDAN BRIDGE

International - 455 SEDAN BRIDGE



Sea Ray® Parts Manual, 2005 420 SEDAN BRIDGE MRP # 1772961

Sea Ray Boats, 2600 Sea Ray Blvd., Knoxville, TN 37914. For information call 1-800-SRBOATS or fax 1-314-213-7878 (USA and International).

Internet address: <http://www.searay.com>

Note: Not all accessories shown in pictures or described herein are standard equipment or even available as options.

Options and features are subject to change without notice.

Confirm the availability of all accessories and equipment with an authorized Sea Ray® dealer.

2005 420 SEDAN BRIDGE

TABLE OF CONTENTS



STANDARD & OPTIONAL LAYOUTS	PAGE
EXTERIOR (HULL)	1, 2
EXTERIOR (DECK)	3, 4
EXTERIOR (WINDSHIELD)	5
EXTERIOR (TRANSOM)	6, 7
EXTERIOR (SPOILER)	8, 9
EXTERIOR (GRAPHICS)	10
CANVAS (TOAST)	11, 12
CANVAS (BLUE)	13, 14
CANVAS (GREEN)	15, 16
CANVAS (BLACK)	17, 18
COCKPIT	19, 20
COCKPIT (UPHOLSTERY)	21
BRIDGE	22, 23
BRIDGE SEATING AND UPHOLSTERY	24, 25
SNAP-IN CARPET LINER	26, 27
BRIDGE (HELM)	28, 29
LOWER CONTROL STATION	30, 31
INSTRUMENT PANELS	32, 33
SWITCH PANEL	34, 35
VHF PANEL	36, 37
CONTROL STATION BREAKER PANEL	38, 39
SATELLITE STEREO SYSTEM	40
BOSE STEREO SYSTEM	41, 42
SEA RAY NAVIGATOR INTERCONNECT DIAGRAM	43, 44
SEA RAY NAVIGATOR II WITH RADAR OVERLAY	45, 46
SEA RAY NAVIGATOR II - SATELLITE	47
NORTHSTAR 6000I 491 FISHFINDER	48
NORTHSTAR 6000I NAVIGATION	49, 50
NORTHSTAR 6000I 4KW OPEN ARRAY RADAR	51
FORWARD STATEROOM	52, 53
FORWARD STATEROOM (UPHOLSTERY)	54, 55
PORT HEAD	56, 57
STARBOARD HEAD	58, 59
HALLWAY	60
PORT STATEROOM	61, 62
PORT STATEROOM (UPHOLSTERY)	63, 64
GALLEY	65, 66, 67
DINETTE	68, 69
DINETTE (UPHOLSTERY)	70, 71
SALON	72, 73, 74
SALON (UPHOLSTERY)	75, 76
DC MAIN DISTRIBUTION PANEL 12V	77
MAIN DISTRIBUTION PANEL (120V)	78
MAIN DISTRIBUTION PANEL ENCLOSURE	79
MULTI-INFO PACKET	80
MAIN DISTRIBUTION PANEL (220VAC 50HZ)	81
DC DISTRIBUTION ENCLOSURE	82
PALM COAST HARDWARE	83, 84
PALM COAST HARDWARE (CONTINUED 1)	85, 86
PALM COAST HARDWARE (CONTINUED 2)	87
BILGE (ELECTRICAL)	88, 89, 90
MAIN DC BREAKER PANEL	91
MAIN DISCONNECT ENCLOSURE	92
BILGE (2" ENGINE SET-UP/WATER INTAKE)	93
BILGE (ENGINE EXHAUST SYSTEM)	94

	PAGE
GENERATOR SYSTEM	95, 96
AIR CONDITIONING SYSTEM	97, 98
OIL EXCHANGE SYSTEM	99, 100
STEERING SYSTEM	101, 102
FUEL SYSTEM	103, 104
FUEL (DISTRIBUTION BOARD)	105
WATER SYSTEM (MANIFOLDS)	106
WATER SYSTEM (COCKPIT)	107, 108
WATER SYSTEM (PORT HEAD)	109
WATER SYSTEM (STARBOARD HEAD)	110
WATER SYSTEM (GALLEY)	111
WATER SYSTEM (BILGE)	112, 113
WATER SYSTEM (ROPELOCKER)	114
SEWAGE SYSTEM	115, 116
DRAINAGE SYSTEM (DRAINS)	117, 118
DRAINAGE SYSTEM (BILGE PUMP AND SUMP)	119, 120
DRAINAGE SYSTEM (FORWARD COMMON DRAIN)	121, 122

2005 420 SEDAN BRIDGE

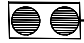
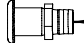
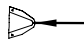
TABLE OF CONTENTS

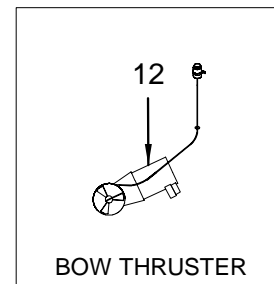
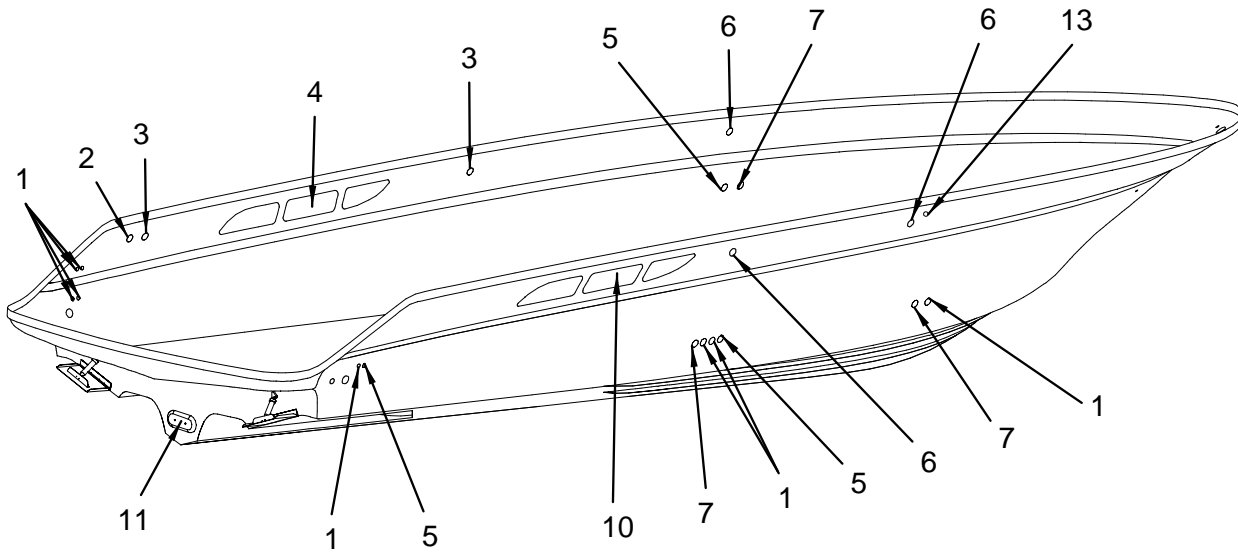


OPTIONS - PARTS LIST	PAGE
T-CUMMINS 6CTA 8.3M (T-417 PHP) INBOARDS	123
T-CUMMINS 480CE (T-446 PHP) INBOARDS DIESEL	123
SALON TABLE	123
SEA RAY NAVIGATOR II 12.1 CHARTPLOTTER	123
BOSE LS48/DVD ACCOUSTIMAS FWD STRM-120V/60.	123
ACR SPOTLIGHT	123
NORTHSTAR 491 FISHFINDER (ONLY W/ 6000I)	123
DARK CHERRY FINISH	123
HULL GEL-COATED BLUE W/ WHITE BOOT STRIPES	123
NORTHSTAR 6000I GPS / CHARTPLOTTER / RADAR.	123
AUXILIARY NORTHSTAR 6000I GPS/ CHARTPLOTTER	123
CANDLE GLOW - GALLEY / HEAD COUNTER TOPS	123
B. SALON-DISTRESSED WAYLAN, DINETTE-CURRY	123
C.SALON-TUMBLEWEED OSTRICH,DINETTE-MILKWEED.	123
D. SALON-PECAN, DINETTE-SWISS CAFE OSTRICH	123
BRIDGE COVER	124
MACERATOR W/ SEACOCK INTERLOCK SYSTEM	124
RAYMARINE - C80 GPS CHARTPLOTTER	124, 125
YACHT FLAG AND FLAG POLE	124
HULL GEL-COATED PEWTER W/ BLACK BOOT STRIPE	124
FIRE SUPPRESSION FM 200-CANADA & AUSTRALIA	124
GRAY WATER SYSTEM.	124
SEA RAY NAV.II CHARTPLOTTER W/RADAR OVERLAY.	124
SATELLITE INTERFACE FOR SEA RAY NAV II	124
RAYMARINE C120 (12") CHART PLOTTER / RADAR	124
RAYMARINE DSM FISH FINDER	124
ADDITIONAL SEA RAY NAV II -ONLY W/ SR NAVII	124, 125
RAYMARINE C120 CHARTPLOTTER ONLY	125
POWER STEERING - ASSISTED.	125
INTERIOR PACKAGE C UP-CHARGE.	125
SIRIUS SATELLITE RADIO	125
BOW THRUSTER	125
TABLE BRIDGE W / SUNPAD FILLER CUSHION	125
"455SDB" MODEL DESIGNATORS	125
ENGINE SYNCHRONIZER	125
STOOLS & SALON TABLE	125
LOWER CONTROL STATION	125, 126
COCKPIT TABLE	126
220 VOLT / 50 CYCLE ELECTRICAL SYSTEM	126
WASHER / DRYER COMBO - 120V/60	126
WASHER / DRYER COMBO - 220V/50 INTL.	126, 127
WATER DELIVERY - INCLUDES SAFETY PKG & FUEL.	127
AUTOPILOT - RAYMARINE ST 6001+	127
COCKPIT REFRIGERATOR - 120V/60	127
COCKPIT REFRIGERATOR - 220V/50	127
WINDLASS - LOFRANS - CHAIN	127
C E OPTION GROUP	127
110V/60 - FOR INT'L ENTERTAINMENT EQUIPMENT	127
CANADIAN CONFORMITY STICKER	127
ROD HOLDERS - (2)	127
WINDLASS CAPSTAN	127
SOFA, WITH PULL OUT BED - PORT.	127
GENERATOR SOUND BOX - DIESEL ONLY	127
TEAK COCKPIT FLOORING	127
VACUUM SYSTEM, CENTRAL - BEAM - 120V/60	127

	PAGE
VACUUM SYSTEM, CENTRAL - BEAM - 220V/50	127
AUTOPILOT - RAYPILOT ST 7001+	127
DASH COVER	127
AFT BENCH SEATING W/ STORAGE BELOW	127

EXTERIOR (HULL)

HORN COVER		9
THRU-HULL ROPE LOCKER		1
SMALL CLAM SHELL		8



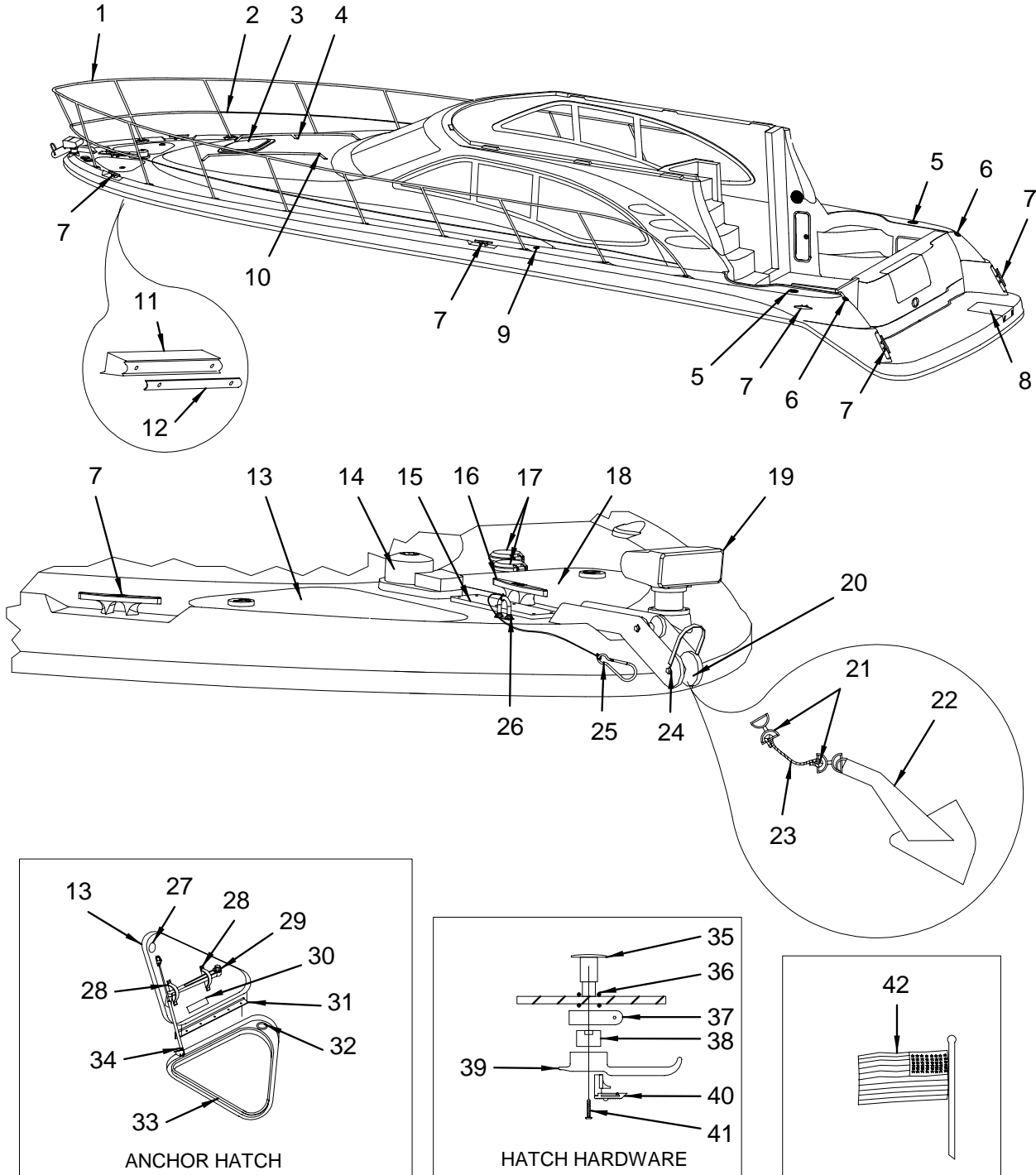
EXTERIOR (HULL)

1	1687508	THRU-HULL, SS 1 1/8"X 1 1/8"BARB
2	1618644	VENT, FUEL/WATER SS 3/4" 90DEG FLSH SHALLOW
3	1618651	VENT, FUEL/WATER SS 5/8" 90DEG FLSH SHALLOW
4	1775611	420DB 05,CVR,HULL VNT PRT FBRGLS
	1048834	A/C COMP, HOSE RING 4" RND PLAS
5	1521434	THRU-HULL, SS 1 1/8"X 3/4"BARB
6	688721	COVER, CUSTOM CLAMSHELL (ABS/DR)
	1630664	COVER, CUSTOM CLAMSHELL AMETHYST BLUE (HULL GEL-COATED BLUE W/ WHITE BOOT STRIPES)
	1797185	COVER, CUSTOM CLAMSHELL PEWTER (HULL GELCOATED PEWTER W/ BLACK BOOT STRIPE)
	957175	COVER, CUSTOM CLAMSHELL LRG W/1CUTOUT(ABS/DR) (WASHER / DRYER COMBO - 120V/60) (WASHER / DRYER COMBO) (BLUE HULL W/ WASHER-DRYER 220V)
	1754483	COVER, CUSTOM CLAMSHELL LRG AMETHYST BLUE (BLUE HULL W/WASHER-DRYER) (BLUE HULL W/ WASHER-DRYER 220V)
	1783891	COVER, CUSTOM CLAMSHELL LRG PEWTER (WASHER DRYER W/ PEWTER HULL) (WASHER DRYER 220V W/ PEWTER HULL)
7	1521426	THRU-HULL, SS 1.5"X 1.5"BARB
8	533430	VENT, CLAMSHELL ROPE LCKR 2"X2"
9	824748	HORN CVR, CONCEALED DUAL WHT LG
	1662964	HORN CVR, CONCEALED DUAL SS LG (HULL GEL-COATED BLUE W/ WHITE BOOT STRIPES) (HULL GEL-COATED PEWTER W/ BLACK BOOT STRIPE)
	796805	HORN, DUAL CONCEALED TRUMPET AIR
	263400	HORN, COMPRESSOR TRUMPET AIR
10	1775612	420DB 05,CVR,HULL VNT STB FBRGLS
	1048834	A/C COMP, HOSE RING 4" RND PLAS
11	144329	ZINC, TRANSOM ZINC
	144360	BOLT, ZINC #3/8-16 X 4.5" SIL/BRZ
12	1754500	BOW THRUSTER, 95KGF 24VDC 7.28"ID TUNNEL (BOW THRUSTER)
	1799142	BOW THRUSTER, PROP 95KGF 24VDC 7.28"ID TUNNEL (BOW THRUSTER)
	1048404	BOW THRUSTER, FBRGLS TUNNEL 7 7/8"X 72" (BOW THRUSTER)
	1104231	BOW THRUSTER, EXT HARNESS 60' (BOW THRUSTER)
	1372747	BOW THRUSTER, JOYSTICK (VETUS) (BOW THRUSTER)
	1485481	HOSE, FUEL 1/4" ISO/CE W/PLAS LINER (BOW THRUSTER)
	1751061	LABEL, BOW THRUSTER (BOW THRUSTER)
	1751982	LABEL, BOW THRUSTER CONV LRG (BOW THRUSTER)
13	124537	THRU-HULL, PLAS 1.5" WHT (GRAY WATER SYSTEM)

NOT SHOWN

126599	EYE, STERN 1/2"X 3 7/16" W/BACKING PLATE
--------	--

EXTERIOR (DECK)

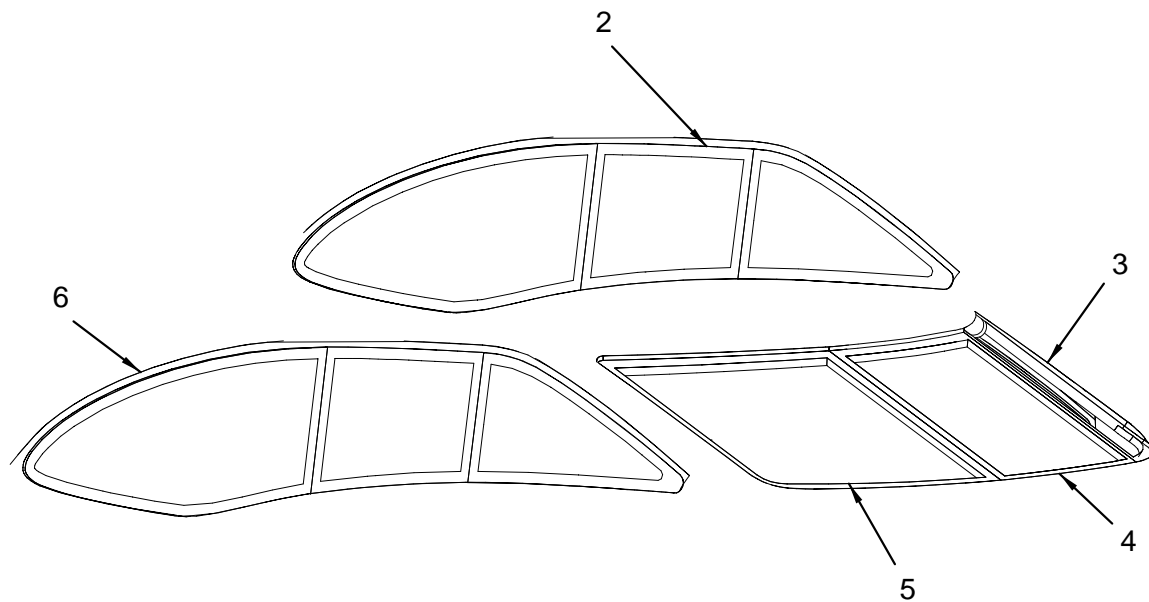


EXTERIOR (DECK)

1	1741694	RAIL, BOW 420DB-04 CMLPT	33	1455534	TRIM-SEAL, 5/16" W/5/16" BULB LOC-A
2	1741737	LIFE LINE, 420DB-04 SET	34	1424597	CYLINDER, GAS SS 20PSI 15" EXT X 9" COMP
3	1688217	HATCH, DECK TRAPEZOID ARC WHT (NOTE: ORDER DIRECT FROM TAYLOR)		634550	BRACKET, SS GAS CYL 90DEG L-BRKT W/BALL LONG
	1476605	GASKET, DECK HATCH FOAM 1/2" X 3/4" X 33'	35	632794	HATCH, ALL HATCH SIZES MUSHROOM OR POST (NOTE: ORDER DIRECT FROM TAYLOR)
	1764546	SCREEN, DECK TRAPEZOID SKYSCREEN MK5	36	632778	HATCH, O-RING (NOTE: ORDER DIRECT FROM TAYLOR)
4	1741696	RAIL, DECK RUNNER 420DB-04 STB	37	701466	HATCH, ARM UNIV PIVOT ALL SIZES (NOTE: ORDER DIRECT FROM TAYLOR)
5	1795401	ROD HOLDER, FLUSH MNT SS 30DEG CONTR W/LOGO (HULL#567->UP) (ROD HOLDERS) (REPLACED 1313915)	38	802819	HATCH, ALL HATCH SIZES PIVOT LATCH ADAPTER (NOTE: ORDER DIRECT FROM TAYLOR)
	1313915	ROD HOLDER, FLUSH MNT SS 30DEG CONTR MED (HULL#502->566) (ROD HOLDERS) (NO LONGER AVAILABLE ORDER 1795401 W/SR LOGO)	39	802801	HANDLE, DECK HATCH LATCHING (NOTE: ORDER DIRECT FROM TAYLOR)
	123398	CLAMP, HOSE #06M 5/16"-7/8" SS MINI (ROD HOLDERS)	40	802827	HATCH, HATCH HANDLE (NOTE: ORDER DIRECT FROM TAYLOR)
	124354	HOSE, PVC CLEAR 1/4" (ROD HOLDERS)	41	802793	HATCH, SCREW 3/8" PLEX (NOTE: ORDER DIRECT FROM TAYLOR)
	847566	DRAIN, SHIELDED 5/8" IMPACT W/ BARB WHT	42	685214	FLAG, USA 2' X 3' (YACHT FLAG AND FLAG POLE)
6	1114263	DECK PLATE, DSL SS 2" GRN CLR-CODE		1190354	POLE, FLAGSTAFF YACHTS AFT SS 40" (YACHT FLAG AND FLAG POLE)
	522581	DECK PLATE, CAP W/CHAIN		706747	CLIP, FLAG (YACHT FLAG AND FLAG POLE)
	522599	KEY, DECK PLATE CAP		685313	SOCKET, FLUSH MOUNT STERN FLAG POLE (YACHT FLAG AND FLAG POLE)
7	1463488	CLEAT, 10.5" SEA RAY SS	LABELS		
	1473057	PLATE, BACKING CLEAT 1/4" X 2.5" X 5"		1235928	LABEL, ARROW'S LINE UP HERE
8	1775615	420DB 05, HATCH, SWMPLTFM LADDER FBRGLS		1743532	LABEL, SLING (LEXAN)
	1118314	CATCH, RBR SUNPAD HOLD-DOWN		1744804	LABEL, DANGER COMBO-DSL POWERED BOAT
	844753	HINGE, SS CONT 2" X 15" W/1/8" PIN (HULL#522->UP)		1745157	LABEL, FUEL RECOMMENDATION (HULL#507->544)
	636365	HINGE, SS CONT 2" X 15" (HULL#501->521)		1745162	LABEL, LEAVING DOCKSIDE WTR CONNECTED WARNING
9	1109321	DECK PLATE, WATER SS BLUE CLR-CODE		1745519	LABEL, DANGER SHUT OFF ENG WHEN NEAR SWIMMERS
	522581	DECK PLATE, CAP W/CHAIN		1746896	LABEL, DANGER STAY CLEAR OF MOVING PARTS
	522599	KEY, DECK PLATE CAP		1747493	LABEL, LEAVING WINDOW OPEN EXHAUST FUMES
10	1741695	RAIL, DECK RUNNER 420DB-04 PRT		1750454	DECAL, SEA RAY OWNERS CLUB (NBOA) RV
11	1750439	RUBRAIL, PVC ARC WHT 20"		652370	LABEL, STICKER LOADED BY TRANSPORTATION
12	1080100	INSERT, RUB RAIL SS 3/4" X 12' (.062/304SS)		1743509	LABEL, INTERMEDIATE BREAKER WARNING
	855692	INSERT, RUB RAIL SS 3/4" X 5' 154DEG	VAC PACK		
13	1775616	420DB 05, HATCH, ANCHOR STRG STB FBRGLS		1427715	VINYL FILM, VAC PACK SHRINK 7MM X 32' X 186'
14	1772549	WINDLASS, PROJECT 1000 LOW PROFILE		159236	VINYL FILM, CELL-AIR PACKING
	1772550	WINDLASS, PROJECT 1000 CAPSTAN (WINDLASS CAPSTAN)		1727510	EMBLEM, VACPAC SR LOGO W/ISO/CE LRG
	798447	WINDLASS SOLENOID, LOFRANS CONTROL BOX 12V		209155	VINYL FILM, PLAS 4MM X 20' X 100'
	140509	BOOT, ENG STARTER RED		413070	TAPE, VAC PAK WHT (2" X 36YDS) PRESERVATION
	1500537	CONN, F-TYPE SPLICE CNTRPIN RG-6U (WTRPROOF)		468934	TAPE, VAC PAK WHT (4" X 36YDS) PRESERVATION
	978940	STUD, 8MM X 110MM		524868	VINYL FILM, VAC PACK ZIPPER DOOR 30" X 48" WHT
15	732354	PAD, HDPE CHAIN GUARD 1/2" X 4" X 16" ARW		642504	BUBBLE PACK, ADH 6" X 30"
16	1463470	CLEAT, 8.5" SEA RAY SS	NOT SHOWN		
	1473057	PLATE, BACKING CLEAT 1/4" X 2.5" X 5"		163535	FOAM, ETHAFOAM 3/8" X 1050LF
17	757765	WINDLASS FOOTSWITCH, HVY DUTY W/SAFTY CVR WHT		1751155	SEALANT, SILGLAZE SCS 2802 RTV WHT
	1687161	COVER, PLAS SAFETY WINDLASS FOOTSWITCH		1759817	TRIM-SEAL, 1/4" W/.22" BULB RAD WNDW EXTRUSION
18	1775617	420DB 05, HATCH, ANCHOR STRG PRT FBRGLS		1762012	CAP, RUBBER .43" X 2" BLK
19	930263	SPOTLIGHT, ACR HALOGEN WHT 12V (ACR SPOTLIGHT)			
	845784	BULB, SPOTLIGHT 12V (ACR SPOTLIGHT)			
	1756729	PAD, SPOTLIGHT REMOTE CONTROL (ACR SPOTLIGHT)			
	1756730	SPOTLIGHT, MASTER CONTROLLER W/LIGHT TURN-ON (ACR SPOTLIGHT)			
20	1758374	ROLLER, ANCHOR BACK (904268)			
	1758375	ROLLER, ANCHOR FRNT (904268)			
21	1145275	ANCHOR SHACKLE, JAW/JAW SWIVEL HVY DTY 3/8"			
	525352	ANCHOR SHACKLE, W/SCREW PIN 1/2" SS			
22	878512	ANCHOR, 35LB GALV PLOW			
23	1745356	ROPE/CHN KT, LOFRANS 5/8" X 200' / 5/16" X 25' RV1			
	225060	CHAIN, GRADE 40 GALV 5/16" 200' (WINDLASS-LOFRANS PROGRESS-CHAIN)			
	1048743	CHAIN STOP, SS W/LANYARD (WINDLINE) (WINDLASS-LOFRANS PROGRESS-CHAIN)			
24	904268	DAVIT, ANCHOR W/ROLLER SS 370DA-97 (PLOW)			
25	819342	HOOK, SNAP 3/8" X 4" SS			
	805499	LANYARD, CABLE ANCHOR 1/8" X 16" SS			
26	697508	EYE, BOW 3/8" X 2.75"			
	1473040	PLATE, BACKING UNIVERSAL 3/16"			
27	1480813	LATCH, FLUSH MOUNT ROUND T-HNDL SS W/PAWL			
28	156893	WEBBING, POLYPROPYLENE 1" BLACK			
	154369	SNAP STUD, W/#8 X 3/8" PH SS			
	154393	SNAP SOCKET, MED ACTION			
29	830844	HOLDER, P/B WINDLASS CRANK HANDLE			
	1043918	WINDLASS, CRANK HANDLE LOFRANS PROGRESS			
30	1746896	LABEL, DANGER STAY CLEAR OF MOVING PARTS			
31	850552	HINGE, SS CONT 2" X 18" W/1/8" PIN			
32	266130	DRAIN, LINER W/90 DEG ELBOW 1" PLASTIC			

EXTERIOR (WINDSHIELD)

1 → WINDSHIELD COMPLETE



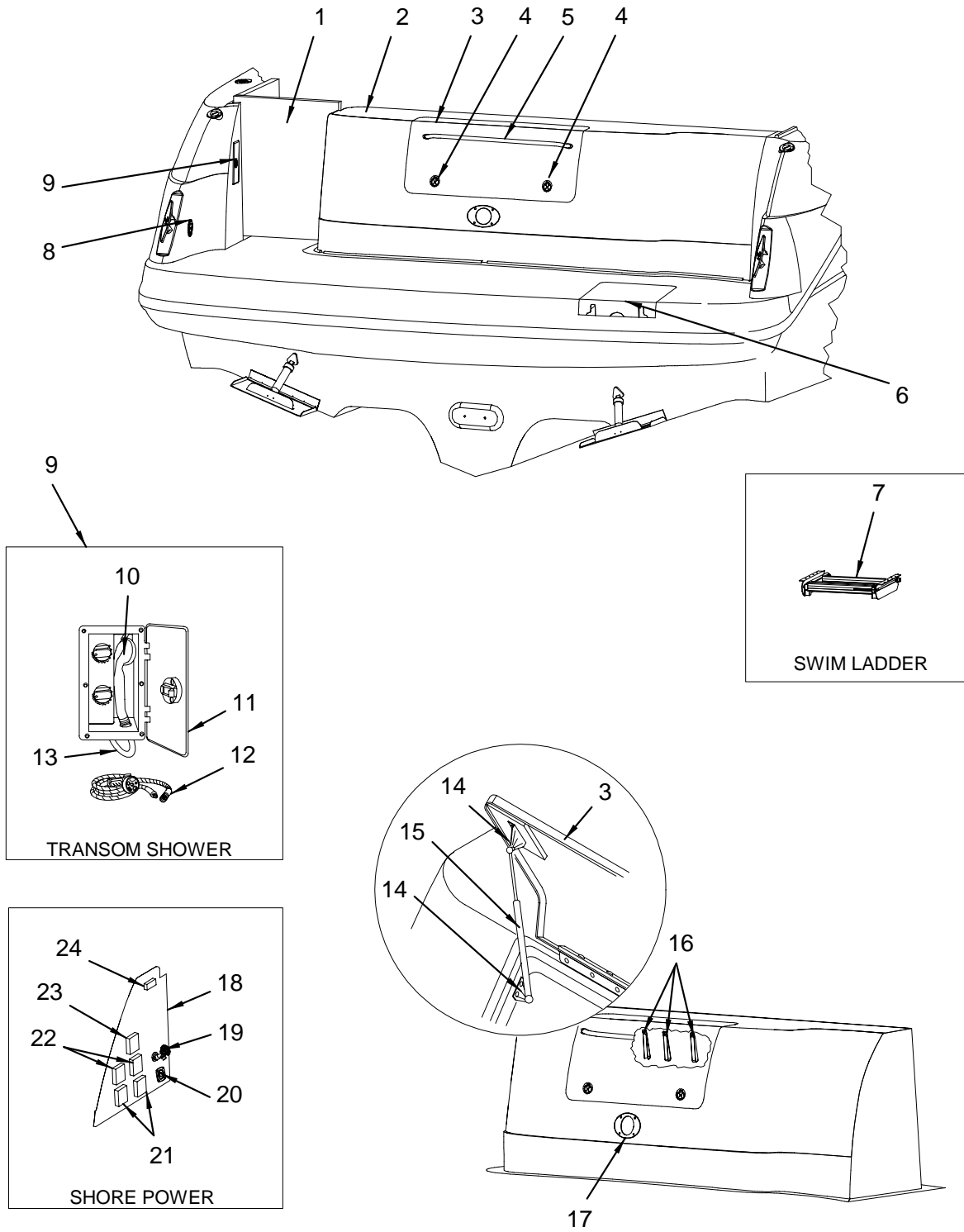
EXTERIOR (WINDSHIELD)

- 1 1767066 W/S, 420DB-04 CMPLT
(NOTE: ORDER DIRECT FROM TAYLOR)
- 2 1773332 W/S, 420DB-04 PRT SIDE
(NOTE: ORDER DIRECT FROM TAYLOR)
- 3 1773326 W/S, 420DB-04 PRT FRNT
(NOTE: ORDER DIRECT FROM TAYLOR)
- 4 1773331 W/S, 420DB-04 CTR
(NOTE: ORDER DIRECT FROM TAYLOR)
- 5 1773330 W/S, 420DB-04 STB FRNT
(NOTE: ORDER DIRECT FROM TAYLOR)
- 6 1773333 W/S, 420DB-04 STB SIDE
(NOTE: ORDER DIRECT FROM TAYLOR)

NOT SHOWN

- 1049204 TAPE, FOAM SGL FACE BLK VINYL 1/4"X 1/4"
- 1577139 ADHESIVE, SIKAFLEX 296 600ML
- 1577147 ADHESIVE, SIKAFLEX 295 UV 310ML
- 1577154 ADHESIVE, SIKAFLEX 206G&P PRIMER 250ML
- 1577162 ADHESIVE, SIKA ACTIVATOR 250ML
- 1689236 ADHESIVE, BOSTIK #940 FS WHT

EXTERIOR (TRANSOM)



EXTERIOR (TRANSOM)

- 1 1752557 DOOR, PLEX 420DB-04 TRNSM RV1
- 1787206 LATCH, #7770 OMNI BOB 1.75" - 2"
- 1684897 STRIKER, #7742 SS FOR OMNI FLAT CLSD POSTN
- 1684899 DOOR KEEPER, #7709 BLK PLAS FOR OMNI 3/4"
- 2 1775613 420DB 05,TRANSWALL,FBRGLS
- 407247 FLOORING, VINYL GRID DECKING WHT "DRI-DEK"
- 3 1775614 420DB 05,DOOR,TRNSM STRG
- 1338821 HINGE, SS STRAP 2.56" X 2.56" X 1/4"
- 4 1411453 LATCH, FLUSH MOUNT PULL SS (SLAM)
- 1418078 SHIM, RUBBER 9MM SS LATCH
- 1253293 LATCH, TRNSM STRG
- 5 1761039 RAIL, GRAB 360/380/420/390DA-04 ARCH 35" 316L
- 6 1775615 420DB 05,HATCH,SWMPLTFM LADDER FBRGLS
- 1118314 CATCH, RBR SUNPAD HOLD-DOWN
- 844753 HINGE, SS CONT 2"X 15" W/1/8" PIN
(HULL#522->UP)
- 636365 HINGE, SS CONT 2"X 15"
(HULL#501->521)
- 7 1473750 LADDER, SWIM 3-STEP SS CONCEALED REV2 GUDGNS
- 1682293 LADDER, SWIM HDWR KIT FOR MRP #1473750
- 1685191 LADDER, SWIM SLIDING GUDGEON ASSY
- 1225770 LADDER, SWIM TOP "U"
- 1225762 LADDER, SWIM MID "U"
- 1225788 LADDER, SWIM BTM "U"
- 909317 LADDER, TREAD 11.75"
- 909325 LADDER, TREAD 12 7/8"
- 973446 LADDER, TREAD 10 3/8"
- 1573112 LABEL, LADDER MAINTENANCE
- 8 1752438 DECK PLATE, WASTE SS BLK CLR-CODE W/INT SYMBL
- 522581 DECK PLATE, CAP W/CHAIN
- 522599 KEY, DECK PLATE CAP
- 9 736702 FAUCET, WASHDOWN BOX W/MIXER (AQUATIK) VERT
- 10 1302603 FAUCET, WASHDOWN SPRAYER HEAD ONLY(AQUATIK)
- 11 1302587 FAUCET, WASHDOWN DOOR ONLY (AQUATIK)
- 12 1302579 FAUCET, WASHDOWN SHOWER UNIT ONLY (AQUATIK)
- 13 1302595 FAUCET, WASHDOWN HOSE W/FPT ONLY(AQUATIK)
- 14 634550 BRACKET, SS GAS CYL 90DEG L-BRKT W/BALL LONG
- 634592 BRACKET, SS GAS CYL FLAT W/BALL STUD
- 15 1424597 CYLINDER, GAS SS 20PSI 15"EXT X 9"COMP
- 16 185538 ROPE, DOCKLINE STRAP ONLY WHT W/HDWR
- 17 994558 HAWSE PIPE, FLANGE SS OVAL
- 18 1745863 BULKHD, P/B 420DB-04 TRANS STRG SHR PWR INLT
- 19 1096262 FAUCET, SILLCOCK WASHDOWN (WHITECAP)
- 20 141168 INLET, WATER W/PRESS REGULATOR WHT
- 21 133678 INLET, SHORE POWER WHT 125V 30A
- 1244367 CORD SET, 120V/30A 50FT POWERCORD PLUS
- 206276 INLET, SHORE POWER WHT 220V/50H 16A
(220V)
- 206268 CORD SET, 220V/50H 16A 50FT
(220V)
- 22 829416 INLET, "MAIN BRKR" HOUSING WHT
- 1752377 BRKR/TOGGLE, 2-POLE AC LONG DELAY 35A
- 1752378 BRKR/TOGGLE, 2-POLE AC LONG DELAY 25A
(220V)
- 23 133694 INLET, PHONE/TV CABLE COMBO WHT
- 136085 CORD SET, TV CABLE 50FT
- 136093 CORD SET, PHONE 50FT
- 24 822668 LIGHT, SGL DOME FLUSH MT PLAS WHT W/O SWITCH
- 604801 BULB, DOME LIGHT 12V

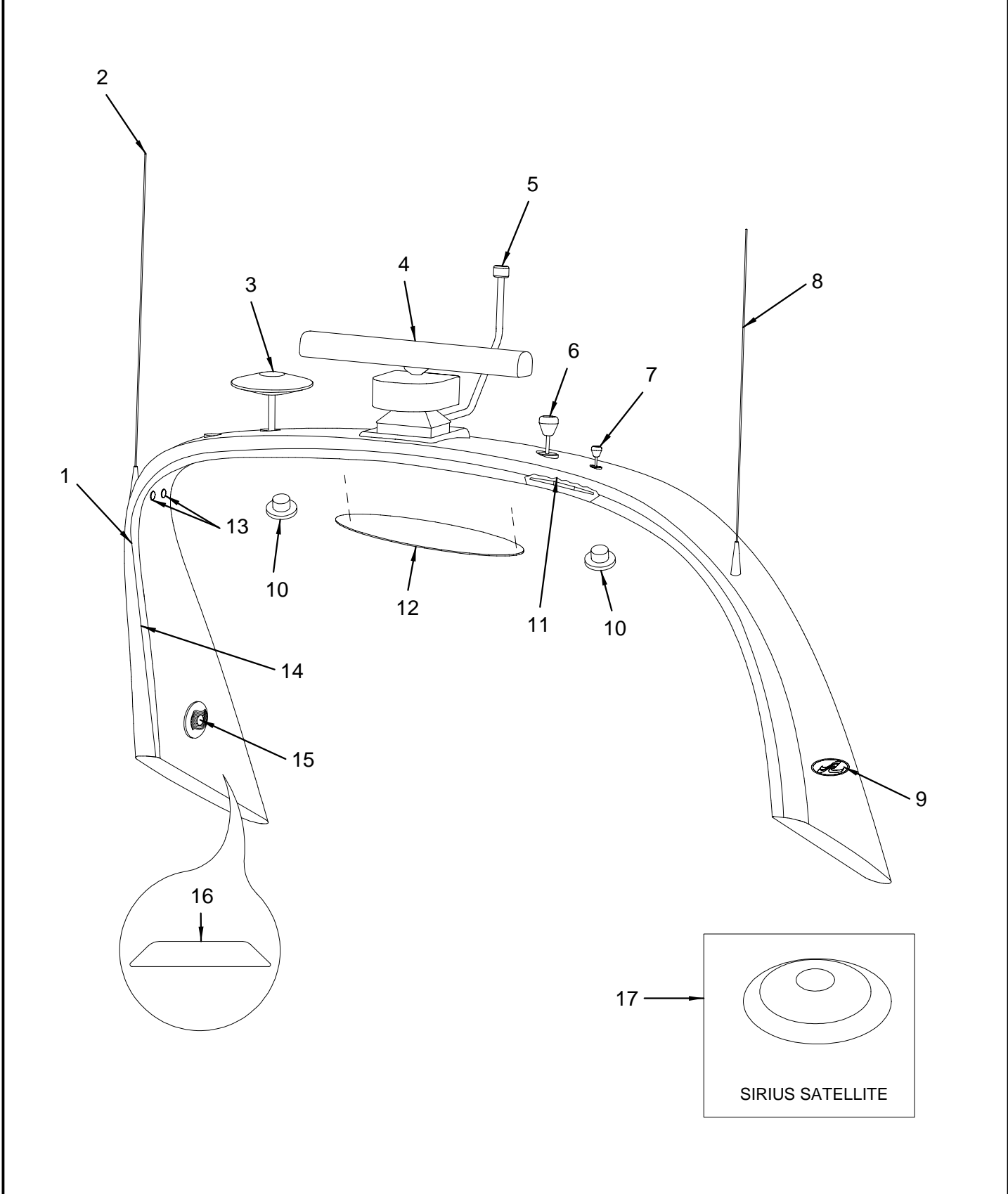
SAFETY PACKAGE - (C.G.PK.) OR WATER DELIVERY

- 159244 HOOK, ALUM BOAT HOOK
- 1779364 KIT, SIGNAL GUN
- 1779365 KIT, FIRST AID
- 1779366 RING BUOY, RESCUE RING BUOY 20"
- 1779367 ROPE, NYLON DOCKLINE 5/8"X 40'BLK
- 1779370 FENDER, 8"X 20"WHT (LAND&SEA)
- 1779372 LIFE VEST, ADULT ORANGE TYPE 1 MERCH MATE II
- 1782254 ROPE, NYLON DOCKLINE 3/8"X 10'
- 773457 TUBE, CHART HLD 26.5" "UTILITUBE"
- 773481 TUBE, SIGNAL KIT 12" "UTILITUBE" W/ORANGE LID

NOT SHOWN

- 450114 PLATE, BACKING SWMPLTFM OPT ALUM
- 634998 BOX, V/F 7.75"X 5"X 3" BLANK
- 991612 ANGLE, PVC 2"X 2"X 1/4"X 10' WHT

EXTERIOR (SPOILER)

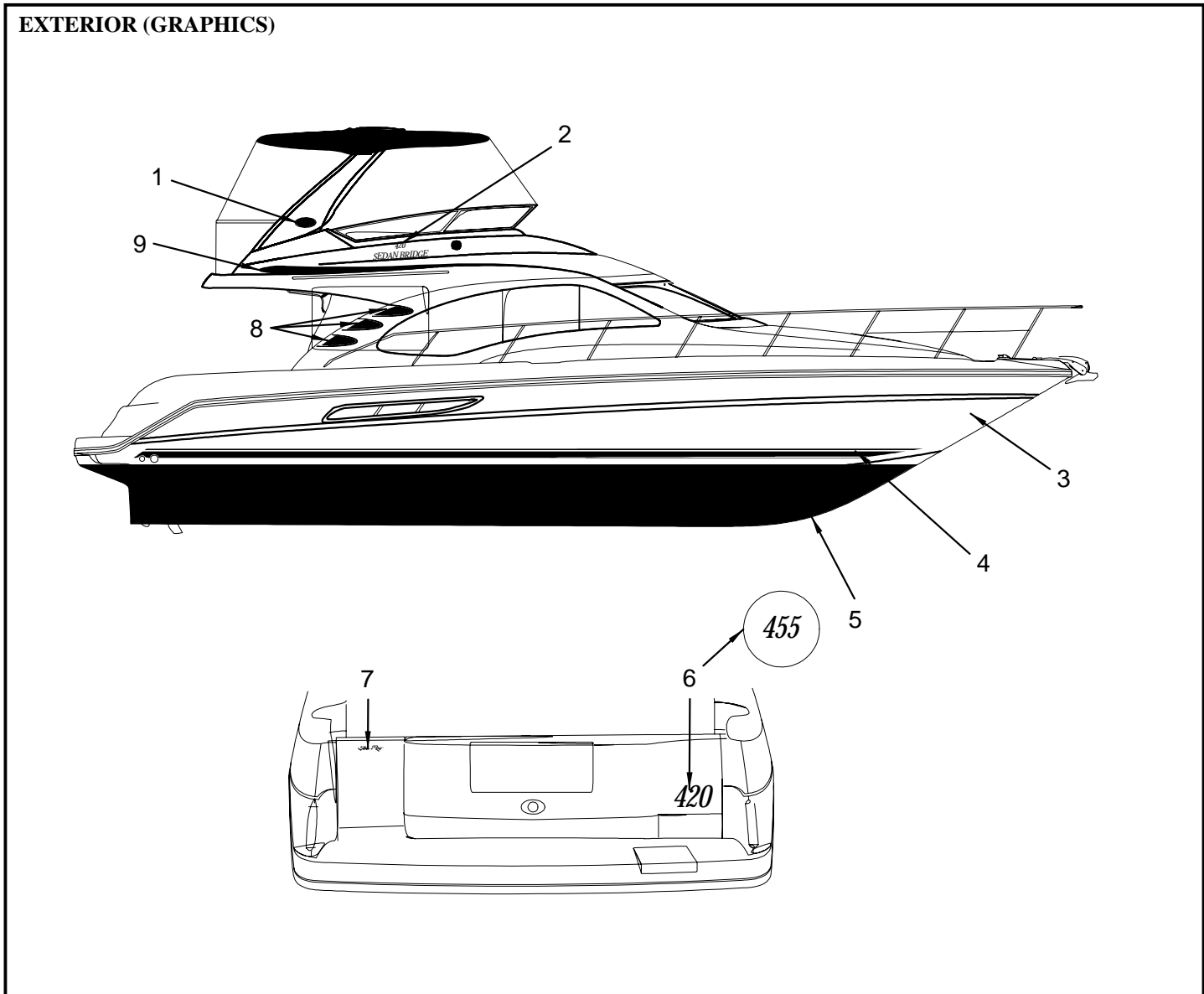


EXTERIOR (SPOILER)

- 1 1744597 FBRGLS PART, 420DB-04 ARCH CMPLT
- 1748849 BRACE, ALUM 420DB-04 SPRT SPOILER 3/8" 4PC
- 2 1777084 ANTENNA, 8'PREMIUM VHF ANTENNA W/CONN
- 115311 MOUNT, RATCHET VHF 4-WAY W/1"-14 MALE THD SS
- 122853 FITTING, WATER TIGHT OUTLET FOR 5/16" CABLE
- 822601 GASKET, VHF ANTENNA BASE LILY RATCHET MNT
- 822619 BUSHING, WATER TIGHT 1.25"OD
- 3 792325 ANTENNA, TV GLOMAX ASSY W/CONN
- 1803748 MOUNT, ANTENNA TV GLOMAX ASSY W/CONN
- 881383 GASKET, GLOMAX TV GPS MOUNT BLK
- 184622 CONN, COUPLER TV/FM ANTENNA TYPE F-81
- 4 1408632 RADAR, RAYTHEON 5S 48" ARRAY
(RAYMARINE C120 (12") CHART PLOTTER / RADAR)
- 1772723 RADAR, RAYTHEON 5S 4KW PEDESTAL
(HULL#502->508 & 511->UP)
(RAYMARINE C120 (12") CHART PLOTTER / RADAR)
- 1408616 RADAR, RAYTHEON 5S 4KW PEDESTAL
(HULL# 509 & 510 ONLY)
(RADAR-RL80CRC W/ OPEN ARRAY)
(RADAR-RL80C W/ OPEN ARRAY)
- 1408673 RADAR, CABLE 15METER 2 PIECE PEDESTAL
(RAYMARINE C120 (12") CHART PLOTTER / RADAR)
- 1746045 LABEL, DANGER NO LOOKING DIRECTLY INTO RADOME
(RAYMARINE C120 (12") CHART PLOTTER / RADAR)
- 1770988 RADAR, NRTHSTR 6000I 3.5' ARRAY
(NORTHSTAR 6000I GPS / CHARTPLOTTER / RADAR)
- 1770987 RADAR, NRTHSTR 6000I PEDESTAL W/1' PIGTAIL
(NORTHSTAR 6000I GPS / CHARTPLOTTER / RADAR)
- 5 1590553 LIGHT, NAV MASTHEAD COMBO VAR MT 27"
- 646356 BULB, DBL END 12V FOR #0256313/794826
- 1543750 LIGHT, NAV MASTHEAD ANCHOR 26"
(RAYMARINE C120 (12") CHART PLOTTER / RADAR)
- 659466 BULB, DBL END CLEAR 12V
(RAYMARINE C120 (12") CHART PLOTTER / RADAR)
- 6 1757383 NAVIGATOR, SRNII GPS ANTENNA NMEA
(SEA RAY NAVIGATOR II 12.1)
- 788711 MOUNT, ANTENNA DECK GPS SS
- 7 1592617 GPS, RAYSTAR RS120 SENSOR SEATALK WAAS
(RAYMARINE C120 (12") CHART PLOTTER / RADAR)
- 8 1274570 ANTENNA, 8' SHAKESPEARE 5225 GLXY W/CP CONN
(SATELLITE INTERFACE FOR SEA RAY NAV II)
- 9 1443217 EMBLEM, S/R WAVE 11 7/8" OVAL CHR
- 10 137380 LIGHT, NAV STERN FLUSH MT CKPT
- 1200369 BULB, REPL FOR #0137380/#0783670
- 11 1581560 ANTENNA, AMPLIFIED 13398
- 12 1109768 PLATE, HDPE 380/410-99/00 SPOILER ACCESS
- 13 562850 PLUG, HOLE 1.5" WHT
- 622225 CAP, HOLE WHT 2.5"
- 14 1362698 TRACK, VINYL AWNING WHT "FLEX-A-RAIL" 15'
- 15 1690555 SPEAKER, COAXIAL 6.5" W/WHT CVR
- 1690558 GRILL, SPEAKER 6.5" ACOM WHT
- 16 1750384 PLATE, PLEX 420DB-04 SPOILER ACCESS PRT
- 17 1757933 ANTENNA, SHAKESPEARE SATELLITE RADIO ANTENNA
(HULL#526->UP) (SIRIUS SATELLITE RADIO)
- 1762653 ANTENNA, SHAKESPEARE SATELLITE RADIO ANTENNA
(HULL#502->525) (SIRIUS SATELLITE RADIO)
- 1772076 EXTENSION, CABLE 25'/10' FM RECEIVER W/CONN
(SIRIUS SATELLITE RADIO)
- 1768304 STEREO, SIRIUS SATELLITE RCVR SIRCL1-1YR
(SIRIUS SATELLITE RADIO)
- 1766168 DECAL, SIRIUS IT'S ON
(SIRIUS SATELLITE RADIO)
- 1766115 PACKET, SIRIUS WELCOME KIT
(SIRIUS SATELLITE RADIO)

NOT SHOWN

- 1689255 ANTENNA, EXTENSION 12' STEREO CABLE



EXTERIOR (GRAPHICS)

- 1 1443217 EMBLEM, S/R WAVE 11 7/8" OVAL CHR
- 2 1757700 TAPE, MODEL DESG 420DB URETHANE LT ANT/BLK
- 1742754 EMBLEM, MODEL DESG 455DB UMLTANT/BLK ("455SDB" MODEL DESIGNATORS)
- 3 1398205 GEL COAT, ARCTIC WHT
- 1687628 GEL COAT, MAXGUARD MIDNIGHT BLUE (HULL GEL-COATED BLUE W/ WHITE BOOT STRIPES)
- 1796295 GEL COAT, NEW PEWTER VALSPAR (HULL GELCOATED PEWTER W/ BLACK BOOT STRIPE)
- 4 1737792 TAPE, M/S 5" W/3.5"BLK 3/4"VOID 3/4"LT ANT
- 1752663 TAPE, M/S 5" W/3.5"WHT 3/4"VOID 3/4"SLVR (HULL GEL-COATED BLUE W/ WHITE BOOT STRIPES)
- 1790430 TAPE, M/S 4.5" W/3/4" VOID, BLK/PRLMET (HULL GELCOATED PEWTER W/ BLACK BOOT STRIPE)
- 5 1355338 PAINT, BOTTOM BLACK HYDROCOAT
- 868893 PAINT, PRIMER SANDLESS #6999
- 868901 THINNER, BOTTOM PAINT
- 946152 PAINT, PRIMER METAL #6455/044
- 6 1741006 TAPE, MODEL NUMERATOR 420 LT ANT/BLK
- 1738916 EMBLEM, MODEL DESG 455 LTANT/BLK ("455SDB" MODEL DESIGNATORS)
- 7 188060 EMBLEM, "SEA RAY" SCRIPT CHROME 5"
- 8 1757773 TAPE, APP 420SDB-04 DECK FINS BLK PRT
- 1757774 TAPE, APP 420SDB-04 DECK FINS BLK STB
- 9 1757775 TAPE, BRDG 420SDB-04 STRIPE BLK PRT
- 1757776 TAPE, BRDG 420SDB-04 STRIPE BLK STB

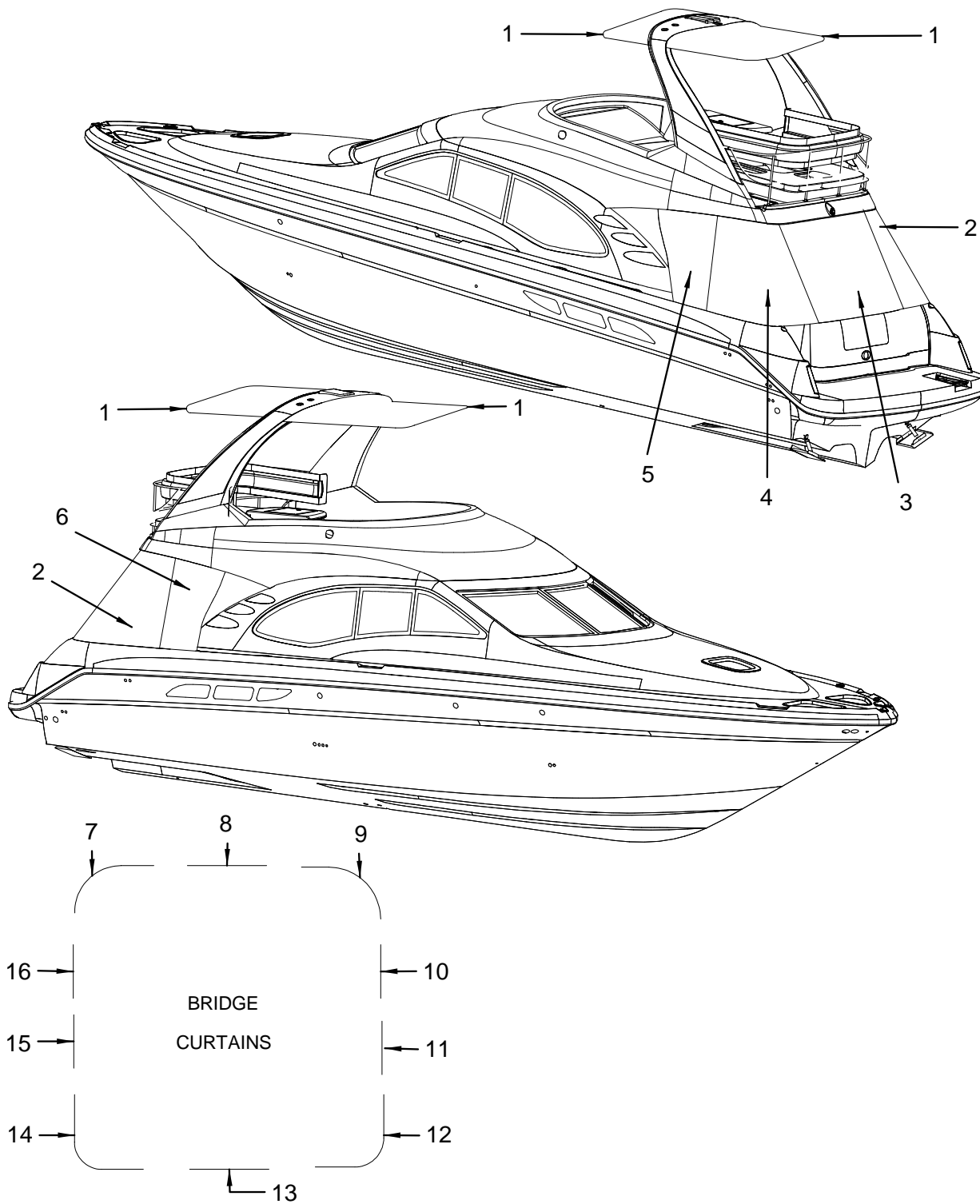
GELCOATS

- 1690845 GEL COAT, JET BLK (SMALL PARTS)
- 893420 GEL COAT, BLK BACKCOAT (SMALL PARTS)
- 1047307 GEL COAT, DESERT BEIGE PC/SC (INTERIOR A, B, D) (SMALL PARTS)
- 665893 GEL COAT, ANTIQUE WHT (SUMMER) (INTERIOR C) (SMALL PARTS)
- 1755074 GEL COAT, BLACKBERRY ICE 5GAL (SMALL PARTS)
- 1757954 GEL COAT, SHADE 3 OF NIGHT ARMORCOTE (SMALL PARTS)
- 1755072 GEL COAT, BILGE OYSTER

NOT SHOWN

- 1793520 TAPE, DASH PNL STRIPE SHADE 3 OF NIGHT

CANVAS (TOAST)



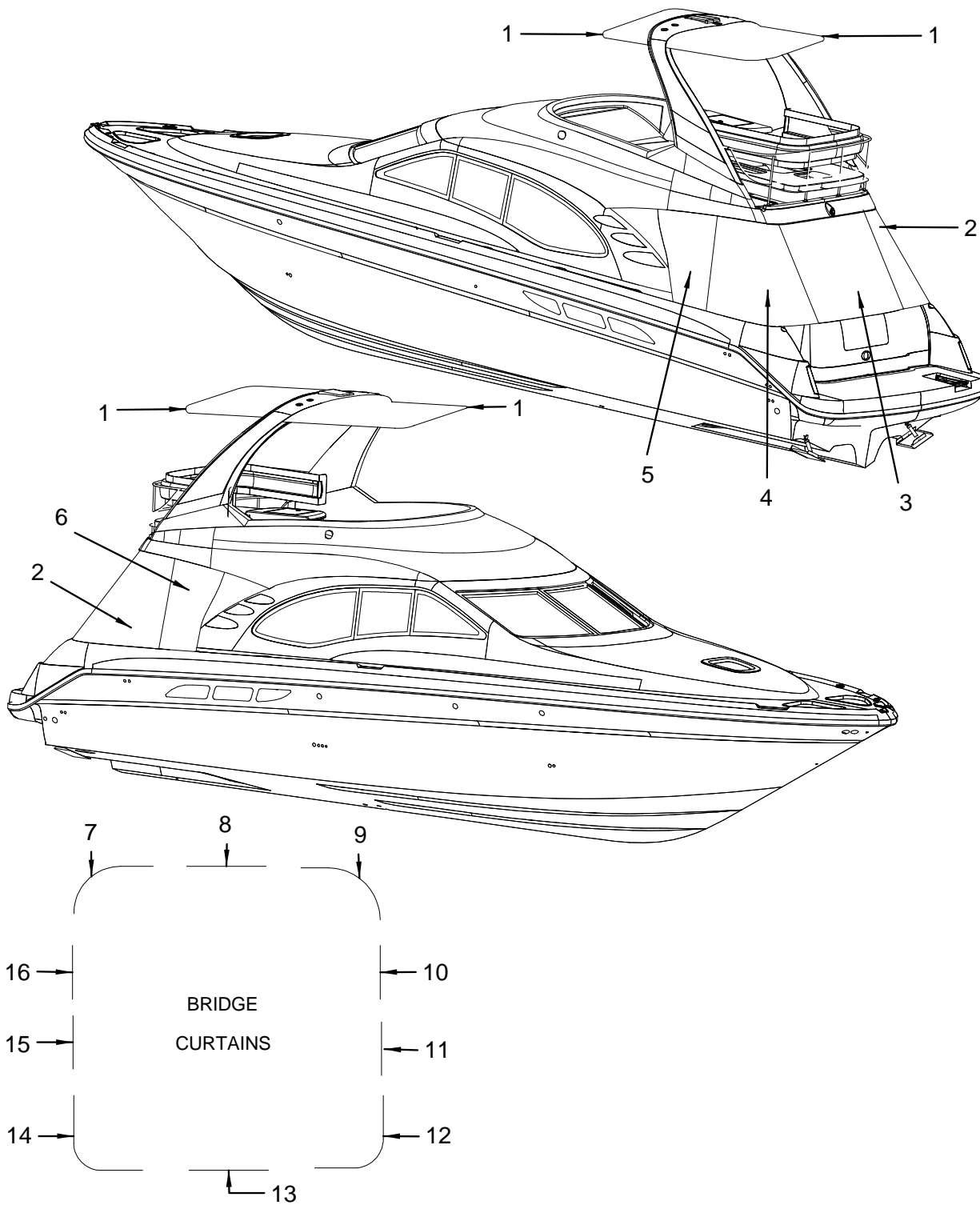
CANVAS (TOAST)

- 1 1749029 FRAME, ALUM 420DB-04 BRDG TOP CANVAS
- 1741699 CANVAS, 420DB-04 SOFT TOP TST
- 2 1751403 CANVAS, 420DB-04 CKPT AFT CURT STB TST
- 3 1751401 CANVAS, 420DB-04 CKPT AFT CURT CTR TST
- 4 1751085 CANVAS, 420DB-04 CKPT AFT CURT PRT TST
- 5 1751408 CANVAS, 420DB-04 CKPT AFT CURT PRT FWD TST
- 6 1751412 CANVAS, 420DB-04 CKPT AFT CURT STB FWD TST
- 7 1751095 CANVAS, 420DB-04 BRDG VISOR PRT TST
- 8 1751396 CANVAS, 420DB-04 BRDG VISOR CTR TST
- 9 1751392 CANVAS, 420DB-04 BRDG VISOR STB TST
- 10 1749017 CANVAS, 420DB-04 BRDG SIDE CURT STB FWD TST
- 11 1751101 CANVAS, 420DB-04 BRDG SIDE CURT STB AFT TST
- 12 1751081 CANVAS, 420DB-04 BRDG AFT CURT STB TST
- 13 1749022 CANVAS, 420DB-04 BRDG AFT CURT CTR TST
- 14 1751079 CANVAS, 420DB-04 BRDG AFT CURT PRT TST
- 15 1751092 CANVAS, 420DB-04 BRDG SIDE CURT PRT AFT TST
- 16 1741705 CANVAS, 420DB-04 BRDG SIDE CURT PRT FWD TST

NOT SHOWN

- 1690859 CANVAS, CARE PKG COMPLIMENTS OF GIOIA SAILS
- 1690872 CANVAS, HATCH CVR 23.75X23.75 TST 03
- 1690881 CANVAS, WNDLS CVR-LOFRANS TST 03
- 1690886 CANVAS, STRG BAG 12X60 TST ZIPPERED 03
- 1741704 CANVAS, 420DB-04 W/S CVR WHT/BLK MESH
- 1742629 CANVAS, 420DB-04 CARPET RUNNER STD TST
- 1742753 CANVAS, 420DB-04 DASH CVR TST
(DASH COVER)
- 1754419 CANVAS, 420DB-04 BRDG AFT CURT SET TST
- 1754420 CANVAS, 420DB-04 BRDG SIDE CURT SET TST
- 1754421 CANVAS, 420DB-04 BRDG VISOR SET TST
- 1754422 CANVAS, 420DB-04 CKPT AFT CURT SET TST
- 1754423 CANVAS, 420DB-04 TOP MESH BTM SET TST
- 1759615 CANVAS, 420DB-04 BRDG CVR TST
(BRIDGE COVER)
- 1772692 CANVAS, 420DB-04 PATTERN TUBE

CANVAS (BLUE)



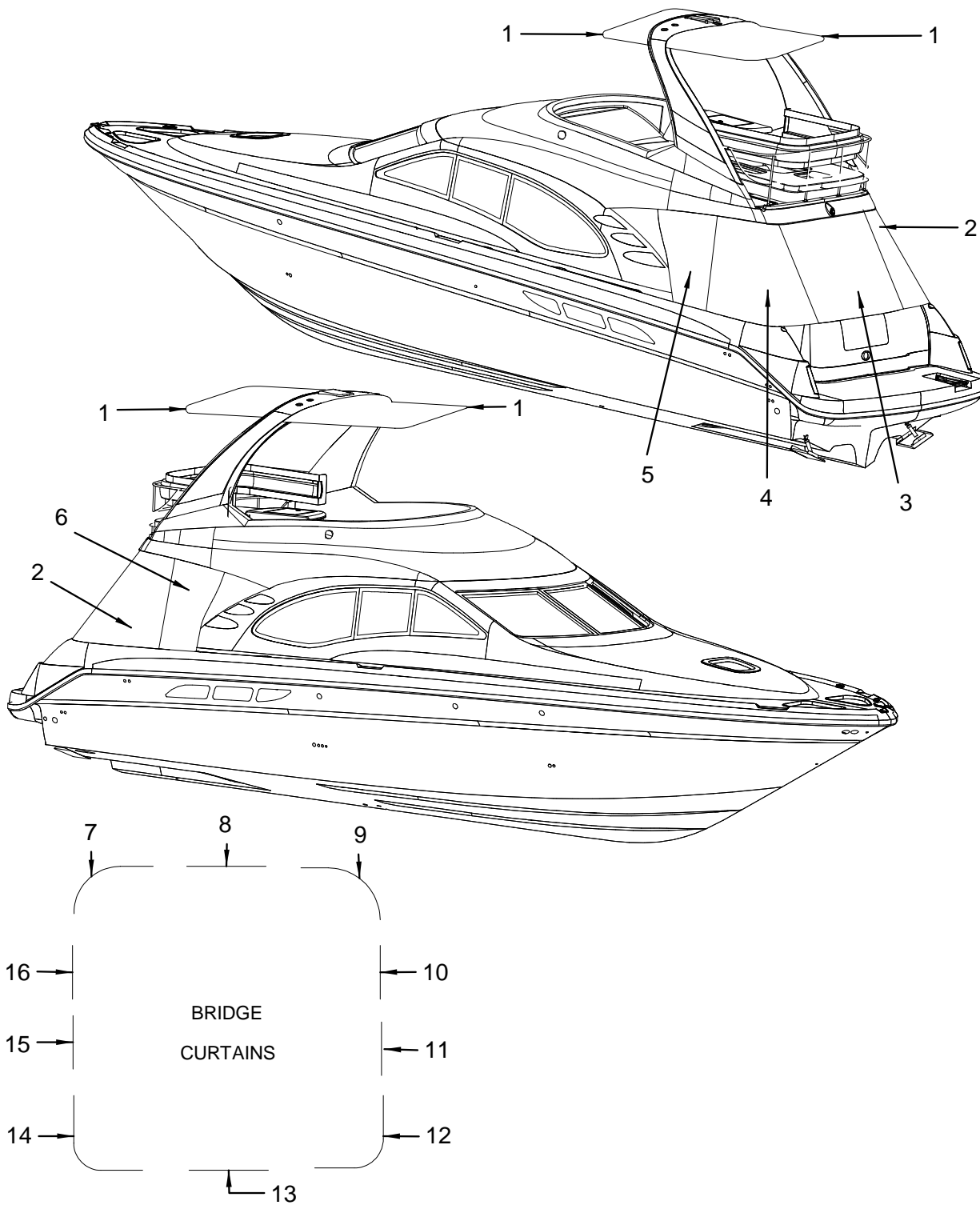
CANVAS (BLUE)

- 1 1749029 FRAME, ALUM 420DB-04 BRDG TOP CANVAS
- 1753713 CANVAS, 420DB-04 SOFT TOP CPN
- 2 1751404 CANVAS, 420DB-04 CKPT AFT CURT STB BLUE
- 3 1751013 CANVAS, 420DB-04 CKPT AFT CURT CTR BLUE
- 4 1751087 CANVAS, 420DB-04 CKPT AFT CURT PRT BLUE
- 5 1751410 CANVAS, 420DB-04 CKPT AFT CURT PRT FWD BLUE
- 6 1751414 CANVAS, 420DB-04 CKPT AFT CURT STB FWD BLUE
- 7 1751100 CANVAS, 420DB-04 BRDG VISOR PRT BLUE
- 8 1751398 CANVAS, 420DB-04 BRDG VISOR CTR BLUE
- 9 1751394 CANVAS, 420DB-04 BRDG VISOR STB BLUE
- 10 1751007 CANVAS, 420DB-04 BRDG SIDE CURT STB FWD BLUE
- 11 1751104 CANVAS, 420DB-04 BRDG SIDE CURT STB AFT BLUE
- 12 1751083 CANVAS, 420DB-04 BRDG AFT CURT STB BLUE
- 13 1751001 CANVAS, 420DB-04 BRDG AFT CURT CTR BLUE
- 14 1751077 CANVAS, 420DB-04 BRDG AFT CURT PRT BLUE
- 15 1751094 CANVAS, 420DB-04 BRDG SIDE CURT PRT AFT BLUE
- 16 1751004 CANVAS, 420DB-04 BRDG SIDE CURT PRT FWD BLUE

NOT SHOWN

- 1690859 CANVAS, CARE PKG COMPLIMENTS OF GIOIA SAILS
- 1741704 CANVAS, 420DB-04 W/S CVR WHT/BLK MESH
- 1742629 CANVAS, 420DB-04 CARPET RUNNER STD TST
- 1745237 CANVAS, WNDLS CVR-LOFRANS CAPT NAVY
- 1750294 CANVAS, HATCH CVR 23.75X23.75 CPN NVY
- 1753708 CANVAS, 420DB-04 DASH CVR CPN
(DASH COVER)
- 1754439 CANVAS, 420DB-04 BRDG AFT CURT SET CPN
- 1754440 CANVAS, 420DB-04 BRDG SIDE CURT SET CPN
- 1754441 CANVAS, 420DB-04 BRDG VISOR SET CPN
- 1754442 CANVAS, 420DB-04 CKPT AFT CURT SET CPN
- 1754443 CANVAS, 420DB-04 TOP MESH BTM CVR SET CPN
- 1759618 CANVAS, 420DB-04 BRDG CVR CAPT NVY
(BRIDGE COVER)
- 1772692 CANVAS, 420DB-04 PATTERN TUBE

CANVAS (GREEN)



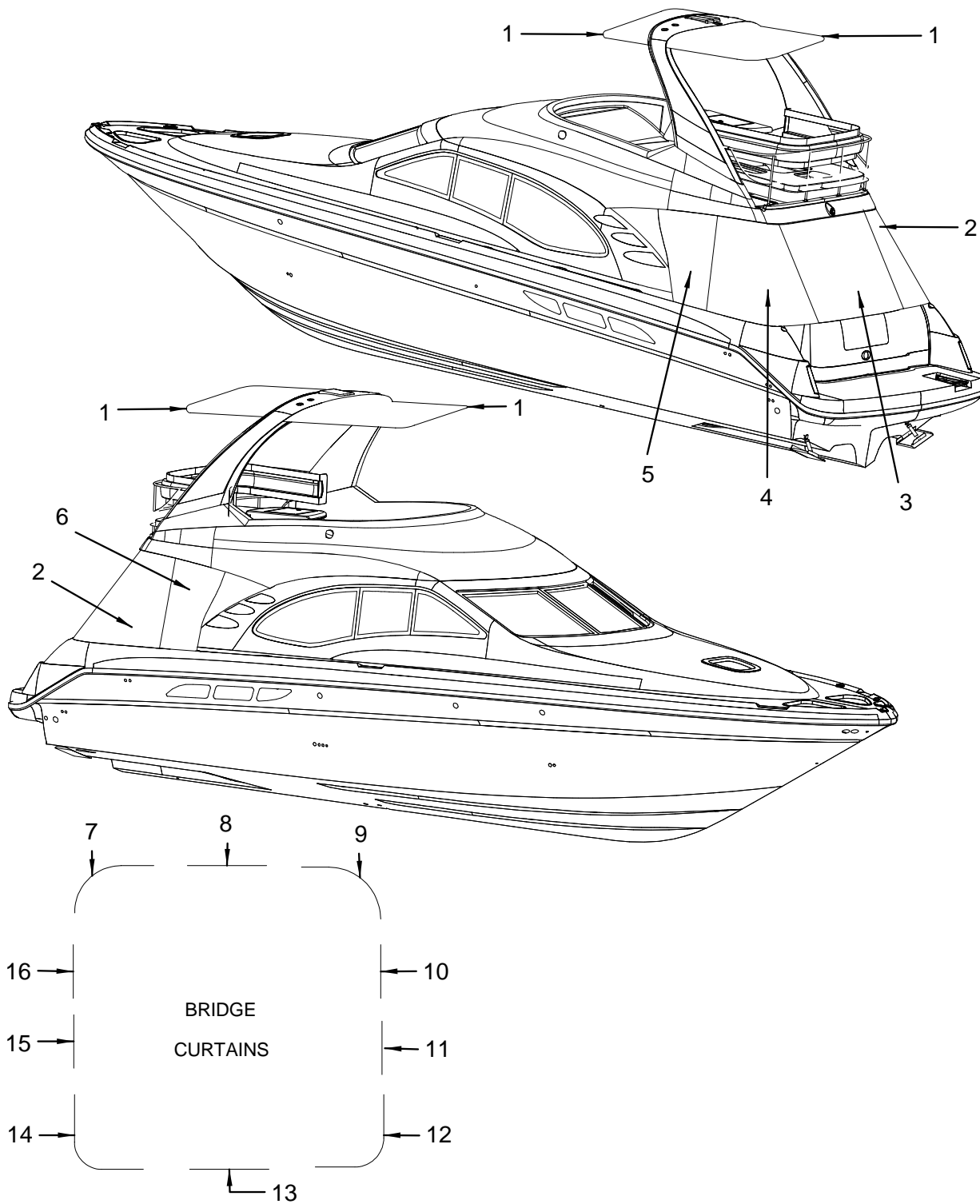
CANVAS (GREEN)

- 1 1749029 FRAME, ALUM 420DB-04 BRDG TOP CANVAS
- 1741701 CANVAS, 420DB-04 SOFT TOP GRN
- 2 1751405 CANVAS, 420DB-04 CKPT AFT CURT STB GRN
- 3 1751014 CANVAS, 420DB-04 CKPT AFT CURT CTR GRN
- 4 1751088 CANVAS, 420DB-04 CKPT AFT CURT PRT GRN
- 5 1751411 CANVAS, 420DB-04 CKPT AFT CURT PRT FWD GRN
- 6 1751415 CANVAS, 420DB-04 CKPT AFT CURT STB FWD GRN
- 7 1751099 CANVAS, 420DB-04 BRDG VISOR PRT GRN
- 8 1751399 CANVAS, 420DB-04 BRDG VISOR CTR GRN
- 9 1751395 CANVAS, 420DB-04 BRDG VISOR STB GRN
- 10 1751008 CANVAS, 420DB-04 BRDG SIDE CURT STB FWD GRN
- 11 1751106 CANVAS, 420DB-04 BRDG SIDE CURT STB AFT GRN
- 12 1751084 CANVAS, 420DB-04 BRDG AFT CURT STB GRN
- 13 1751002 CANVAS, 420DB-04 BRDG AFT CURT CTR GRN
- 14 1751080 CANVAS, 420DB-04 BRDG AFT CURT PRT GRN
- 15 1751090 CANVAS, 420DB-04 BRDG SIDE CURT PRT AFT GRN
- 16 1751005 CANVAS, 420DB-04 BRDG SIDE CURT PRT FWD GRN

NOT SHOWN

- 1690859 CANVAS, CARE PKG COMPLIMENTS OF GIOIA SAILS
- 1690873 CANVAS, HATCH CVR 23.75X23.75 HNTR 03
- 1690883 CANVAS, WNDLS CVR-LOFRANS HNTR 03
- 1741704 CANVAS, 420DB-04 W/S CVR WHT/BLK MESH
- 1742629 CANVAS, 420DB-04 CARPET RUNNER STD TST
- 1751011 CANVAS, 420DB-04 DASH CVR GRN
(DASH COVER)
- 1754434 CANVAS, 420DB-04 BRDG AFT CURT SET GRN
- 1754435 CANVAS, 420DB-04 BRDG SIDE CURT SET GRN
- 1754436 CANVAS, 420DB-04 BRDG VISOR SET GRN
- 1754437 CANVAS, 420DB-04 CKPT AFT CURT SET GRN
- 1754438 CANVAS, 420DB-04 TOP MESH BTM CVR SET GRN
- 1759616 CANVAS, 420DB-04 BRDG CVR GRN
(BRIDGE COVER)
- 1772692 CANVAS, 420DB-04 PATTERN TUBE

CANVAS (BLACK)



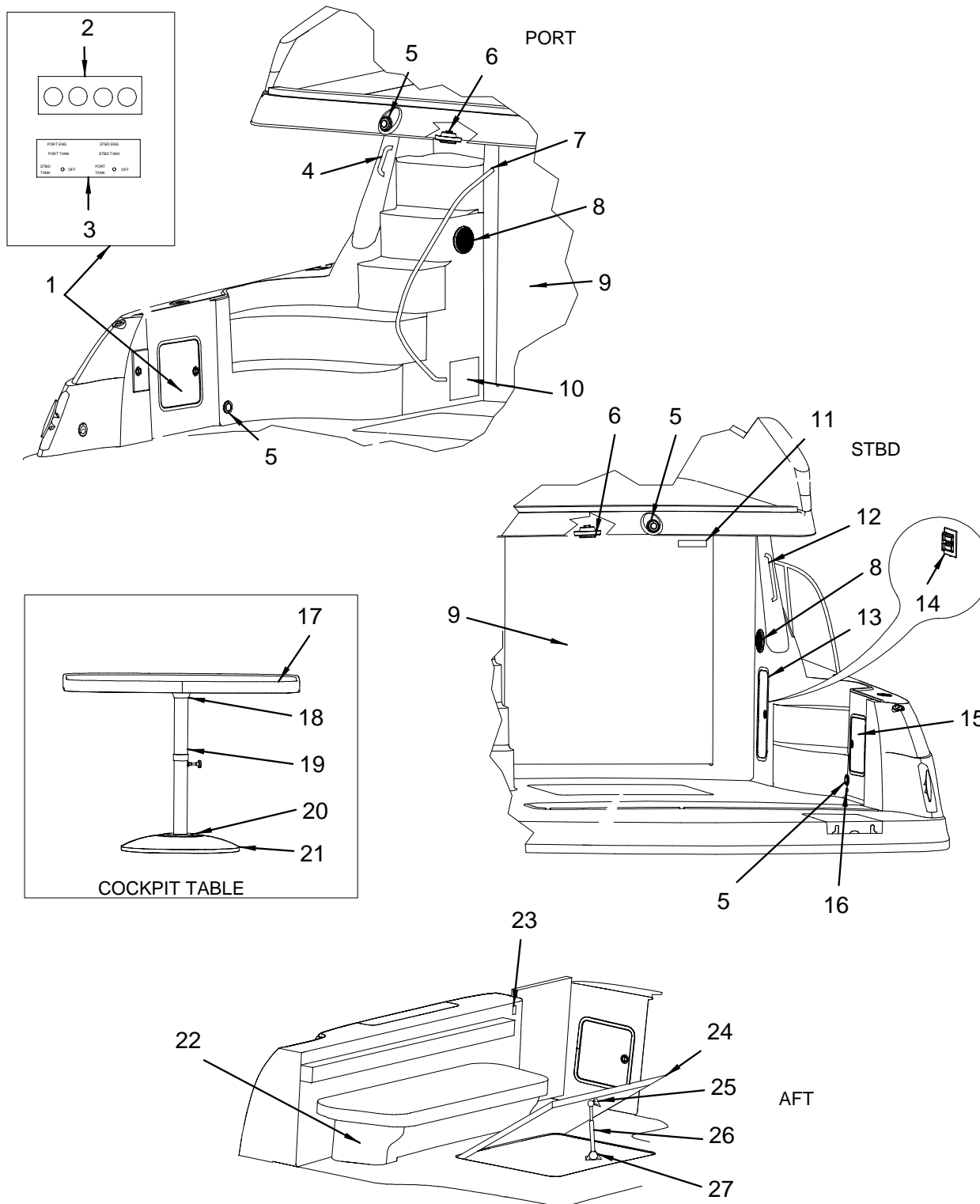
CANVAS (BLACK)

- 1 1749029 FRAME, ALUM 420DB-04 BRDG TOP CANVAS
- 1749021 CANVAS, 420DB-04 SOFT TOP BLK
- 2 1751402 CANVAS, 420DB-04 CKPT AFT CURT STB BLK
- 3 1751012 CANVAS, 420DB-04 CKPT AFT CURT CTR BLK
- 4 1751086 CANVAS, 420DB-04 CKPT AFT CURT PRT BLK
- 5 1751409 CANVAS, 420DB-04 CKPT AFT CURT PRT FWD BLK
- 6 1751413 CANVAS, 420DB-04 CKPT AFT CURT STB FWD BLK
- 7 1751098 CANVAS, 420DB-04 BRDG VISOR PRT BLK
- 8 1751397 CANVAS, 420DB-04 BRDG VISOR CTR BLK
- 9 1751393 CANVAS, 420DB-04 BRDG VISOR STB BLK
- 10 1751006 CANVAS, 420DB-04 BRDG SIDE CURT STB FWD BLK
- 11 1751103 CANVAS, 420DB-04 BRDG SIDE CURT STB AFT BLK
- 12 1751082 CANVAS, 420DB-04 BRDG AFT CURT STB BLK
- 13 1751000 CANVAS, 420DB-04 BRDG AFT CURT CTR BLK
- 14 1751078 CANVAS, 420DB-04 BRDG AFT CURT PRT BLK
- 15 1751093 CANVAS, 420DB-04 BRDG SIDE CURT PRT AFT BLK
- 16 1751003 CANVAS, 420DB-04 BRDG SIDE CURT PRT FWD BLK

NOT SHOWN

- 1690859 CANVAS, CARE PKG COMPLIMENTS OF GIOIA SAILS
- 1690875 CANVAS, HATCH CVR 23.75X23.75 BLK
- 1690885 CANVAS, WNDLS CVR-LOFRANS BLK 03
- 1741704 CANVAS, 420DB-04 W/S CVR WHT/BLK MESH
- 1742629 CANVAS, 420DB-04 CARPET RUNNER STD TST
- 1751009 CANVAS, 420DB-04 DASH CVR BLK
(DASH COVER)
- 1754424 CANVAS, 420DB-04 BRDG AFT CURT SET BLK
- 1754425 CANVAS, 420DB-04 BRDG SIDE CURT SET BLK
- 1754426 CANVAS, 420DB-04 BRDG VISOR SET BLK
- 1754427 CANVAS, 420DB-04 CKPT AFT CURT SET BLK
- 1754428 CANVAS, 420DB-04 TOP MESH BTM CVR SET BLK
- 1759617 CANVAS, 420DB-04 BRDG CVR BLK
(BRIDGE COVER)
- 1772692 CANVAS, 420DB-04 PATTERN TUBE

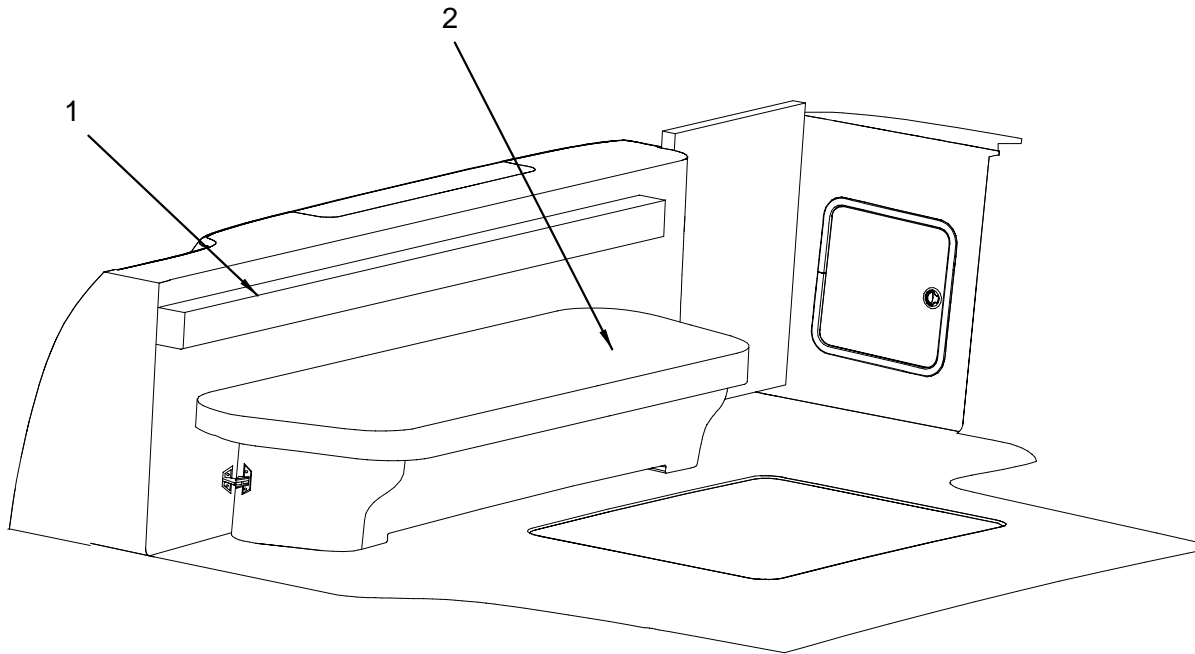
COCKPIT



COCKPIT

1	1743008	DOOR, HDPE STRG W/17"X17" W/GEN PNL BOX	22	743625	TRIM, EDGE WHITE MOTOR BOX LARGE
	1806120	FRAME, HDPE 17"X 17"STRG DOOR (#1743008)		800888	(AFT BENCH SEATING W/ STORAGE BELOW)
	1664226	HINGE, SS CONT REP FOR DOOR MRP#1455120			HINGE, SS CONT 2"X 72" (.188 CURL WIDTH)
	1676774	LATCH, SS ORCAS N/CATCH			(AFT BENCH SEATING W/ STORAGE BELOW)
2	1734663	PANEL, GENERATOR REMOTE INST ONAN 12V	23	1630920	PANEL, 360DA-02 CKPT LIGHT SWITCH
	1742500	GAUGE, VOLTMETER 2" ONAN GEN A/F	24	1775622	420DB 05,HATCH,BLG SERVICE CKPT FBRGLS
	1742501	GAUGE, OIL PRESS 2" ONAN GEN A/F		140285	HINGE, SS CONT 2"X 72" (.225 CURL WIDTH)
	1742502	GAUGE, WTR TEMP 2" ONAN GEN A/F		1690323	PULL, FLUSH HATCH SS T-HNDL W/EMRG HNDL ROUND
3	1688697	PANEL, 390/420/500 GEN FUEL CROSSOVER		1396142	MOLDING, FOAM RBR "D-SHAPE" 1.75" W/HAT ADH
4	1745359	RAIL, SS GRAB 420DB-04 BRDG/CKPT WING PRT		1690952	PLATE, STRIKER SS BILGE HATCH
5	137380	LIGHT, NAV STERN FLUSH MT CKPT		865485	INSULATION, STAND-OFF 1.75"
	1200369	BULB, REPL FOR #0137380/#0783670	25	634550	BRACKET, SS GAS CYL 90DEG L-BRKT W/BALL LONG
6	1131952	LIGHT, HALOGEN SS 7"DIA DUAL BULB	26	1349182	CYLINDER, GAS SS 40PSI 26"EXT X 16"COMP
	1448463	BULB, XENON 12V/10W	27	732792	BRACKET, SS GAS CYL 90DEG 2.062" W/STUD
	1745354	RAIL, SS GRAB 420DB-04 BRDG/CKPT STAIRWAY	LABELS		
8	1690555	SPEAKER, COAXIAL 6.5" W/WHT CVR		1743512	LABEL, "LINE 1" (LEXAN)
	1690558	GRILL, SPEAKER 6.5" ACOM WHT		1743513	LABEL, "LINE 2" (LEXAN)
	1717385	COVER, SPEAKER EXT BACKING PANASONIC		1743534	LABEL, FRESH WATER (LEXAN)
9	1802481	DOOR, 44DB-06 ALUM CABIN ENTRY W/SCN&SS HNDL		1743548	LABEL, WARNING RUNNING BOAT W/DOOR OPEN
	1741706	(HULL#600->UP) DOOR, 420DB-04 ALUM CABIN ENTRY W/SCREEN		1743571	LABEL, DANGER TRANSOM DOOR (LEXAN)
		(HULL#501->599)		1744735	LABEL, FUEL SHUT-OFF (LEXAN)
10	1750948	DOOR, HDPE STRG W/17.5"X21" W/ICEMKR BOX		1744745	LABEL, DISPOSAL OF GARBAGE
	964924	ICE MAKER, 20 LB WHT W/FLNGE LOW/PROF 120V/60		1745515	LABEL, WARNING DO NOT STAND/WALK THIS AREA
	1044437	ADAPTER, BRASS GARDEN HOSE TO 1/4"90DEG		1745519	LABEL, DANGER SHUT OFF ENG WHEN NEAR SWIMMERS
		(COMES WITH ICEMAKER)		1746901	LABEL, CAUTION BATTERY SWITCH OFF/ALT DAMAGED
	1750379	SUPPORT, P/B 420DB-04 CKPT ICEMKR BASE		1751057	LABEL, WARNING CABIN DOOR
	1787508	COVER PLATE, SGL DUPLEX RECEPT BRN LVT			(HULL#507->559)
		(HULL#549->UP)		1771209	LABEL, DOOR SECURED UNDERWAY
	145078	COVER PLATE, SGL DUPLEX RECEPT BRN	NOT SHOWN		
		(HULL#501->548)		1376474	CONN, NYLON 1/2" FLAT CORD GRIP WATERPROOF
	975029	COVER PLATE, IDEA-SERIES 3-GANG WHT		141747	ANGLE, PVC 2"X 2"X 1/4"X 10" GREY
		(220V)		147611	ADAPTER, BRASS 1/4"MPT X 3/8"BARB
	1787507	RECEPTACLE, DUPLEX BRN 15A LVT		1500537	CONN, F-TYPE SPLICE CNTRPIN RG-6U (WTRPROOF)
		(HULL#532->UP)		1752430	TRANSFORMER, ISO 3.6 KVA 120VAC
	145094	RECEPTACLE, DUPLEX BRN 15A		186239	BRACKET, ALUM 1.5"X 1.5"X 3"
		(HULL#502->531)		188391	CLIP, XMAS TREE
	180463	BOX, RECEPTACLE HANDY DUPLEX METAL		326009	THRU-HULL, PLAS 2" WHT (FULL THREAD)
	192500	CONN, ROMEX PLAS 1/2"		407247	FLOORING, VINYL GRID DECKING WHT "DRI-DEK"
	1747061	REFRIGERATOR, 1.7 CU FT 12VDC/110AC		522813	BOX, RECEPTACLE PVC SURFACE MOUNT CARLON
		(COCKPIT REFRIGERATOR - 120V/60)		524256	SNAP BUTTON, W/ 1/4" BARREL WHT
	1747062	REFRIGERATOR, 1.7 CU FT 12VDC/240V		538223	COLLAR, ABS HOSE 4"
		(COCKPIT REFRIGERATOR - 220V/50)		634998	BOX, V/F 7.75"X 5"X 3" BLANK
	1738813	LATCH, COVER PLATE FOR TRAVEL LATCH		774513	VINYL FILM, PLAS .040"X 1.25"X 30YD
		(COCKPIT REFRIGERATOR - 120V/60)		991612	ANGLE, PVC 2"X 2"X 1/4"X 10" WHT
		(COCKPIT REFRIGERATOR - 220V/50)		227157	SNAP CAP, PLAS WHT
	1738814	LATCH, TRAVEL LATCH SPRING		1795334	TEAK, P/B 420DB-05 CKPT FLOOR W/SWIM PLATFORM
		(COCKPIT REFRIGERATOR - 120V/60)			(TEAK COCKPIT FLOORING)
		(COCKPIT REFRIGERATOR - 220V/50)			
	1738816	LATCH, TRAVEL PLATE/PIN			
		(COCKPIT REFRIGERATOR - 120V/60)			
		(COCKPIT REFRIGERATOR - 220V/50)			
11	1743548	LABEL, WARNING RUNNING BOAT W/DOOR OPEN			
12	1745360	RAIL, SS GRAB 420DB-04 BRDG/CKPT WING STB			
13	1464098	DOOR, HDPE STRG W/8.5"X 26.75" ARW FRAME SS			
	1809237	HINGE, STRG DOOR F/1464098			
	1411453	LATCH, FLUSH MOUNT PULL SS (SLAM)			
	1750422	BLKHD, P/B 420DB-04 CKPT STB FWD STRG			
14	180067	COVER PLATE, WATERPROOF RECEPT W/2 DOORS			
15	1455187	DOOR, STRG W/O NTCH W/17X17 WHT FRM L/R 99 SS			
	1411453	LATCH, FLUSH MOUNT PULL SS (SLAM)			
	1448422	PLATE, STRIKER ORCAS "S" SHAPED 316 SS			
	1664192	HINGE, SS CONT REP FOR DOOR MRP#1455187			
	1750380	BLKHD, HDPE 420DB-04 CKPT STB AFT STRG			
16	847566	DRAIN, SHIELDED 5/8" IMPACT W/BARB WHT			
17	1275650	FBRGLS PART, CKPT TBL			
		(COCKPIT TABLE)			
18	1125285	BASE, TABLE FLUSH MNT ALUM TPR CASTING			
		(COCKPIT TABLE)			
19	1473792	POST, TABLE LEG 19"- 29" W/GAS CYL ALUM			
		(COCKPIT TABLE)			
20	1473818	MOUNT, TBL SUPPORT			
		(COCKPIT TABLE)			
21	1311646	FBRGLS PART, CKPT TBL BASE			
		(COCKPIT TABLE)			
	1787697	BUMPER, NAIL-ON GLIDE 1 1/8"DIA WHT			
		(HULL#522->UP) (COCKPIT TABLE)			
	398420	BUMPER, NAIL-ON GLIDE 1 1/8"DIA WHT 4PK			
		(HULL#502->521) (COCKPIT TABLE)			
22	1775623	420DB 05.BASE,FULL BNCHST AFT CKPT FBRGLS			
		(AFT BENCH SEATING W/ STORAGE BELOW)			
	1751780	BOARD, P/B 420DB-04 CKPT AFT BNCH SEAT (OPT)			
		(AFT BENCH SEATING W/ STORAGE BELOW)			
	1752199	BOARD, P/B 420DB-04 CKPT AFT SEAT BLSTR OPT			
		(AFT BENCH SEATING W/ STORAGE BELOW)			

COCKPIT (UPHOLSTERY)



COCKPIT (UPHOLSTERY)

- 1 1775805 420DB 05,BLSTR,BNCHST AFT CKPT
(AFT BENCH SEATING W/ STORAGE BELOW)
- 1775806 420DB 05,BLSTR SKN,BNCHST AFT CKPT
(AFT BENCH SEATING W/ STORAGE BELOW)
- 1752102 FOAM, P/C 420DB-04 CKPT AFT BNCH BLSTR
(AFT BENCH SEATING W/ STORAGE BELOW)
- 1752200 INSERT, 88X18 SSW 1/4"LAM W/8.5"GREY SCPT
(AFT BENCH SEATING W/ STORAGE BELOW)
- 2 1775807 420DB 05,CUSH,BNCHST AFT CKPT
(AFT BENCH SEATING W/ STORAGE BELOW)
- 1775808 420DB 05,CUSH SKN,BNCHST AFT CKPT
(AFT BENCH SEATING W/ STORAGE BELOW)
- 1752100 FOAM, P/C 420DB-04 CKPT AFT BNCH SEAT
(AFT BENCH SEATING W/ STORAGE BELOW)

NOT SHOWN

- 1752085 CARPET, EXT 24 OZ NICKEL BT
(STORAGE)
- 1763334 SLIDE, DELRIN #5 BEIGE 1-S LOCK
- 1763335 ZIPPER, #5 DELRIN CONTINUOUS BEIGE
- 187377 ROPE, NYLON 1/8"X 1000'
- 701938 UPH PARTS, GROMMET #1 CHR/BRS
- 750422 TAB, PULL TAB MATERIAL 1" X 250YDS
- 965087 FOAM, 1" FOAM FAST 500FT ROLL

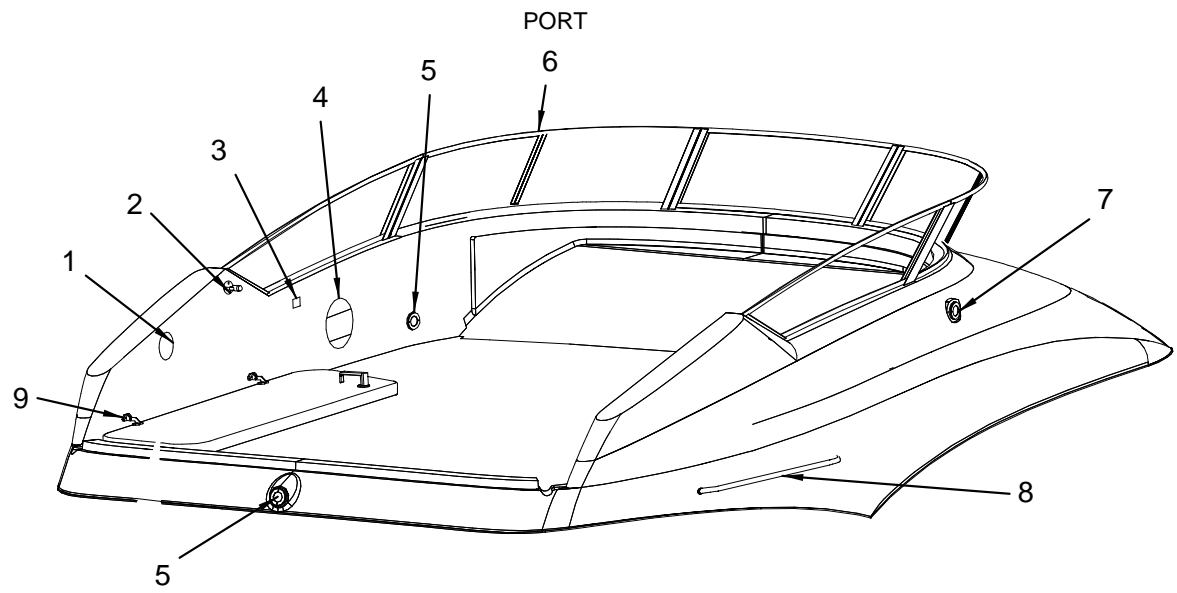
VINYL - ACCENT

- 1618685 VINYL, SLIT 1.5" DADE PEWTER MIST EXP
- 1619626 VINYL, DADE PEWTER MIST EXP FLAT

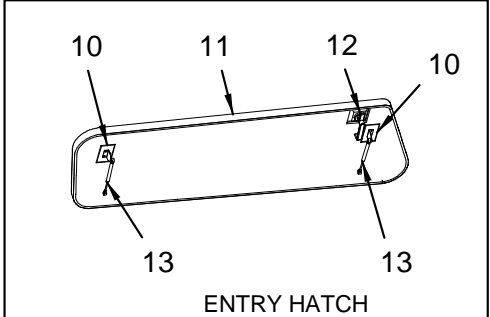
VINYLS

- 1287150 VINYL, DADE PEWTER MIST EXP 1/4"FB
- 1761324 VINYL, SEABROOK D SEA WHITE 1/4"F/B W/ADH
- 1142959 VINYL, SEABROOK D SEA WHITE EXP FLAT
(TABLE BRIDGE W / SUNPAD FILLER CUSHION)

BRIDGE

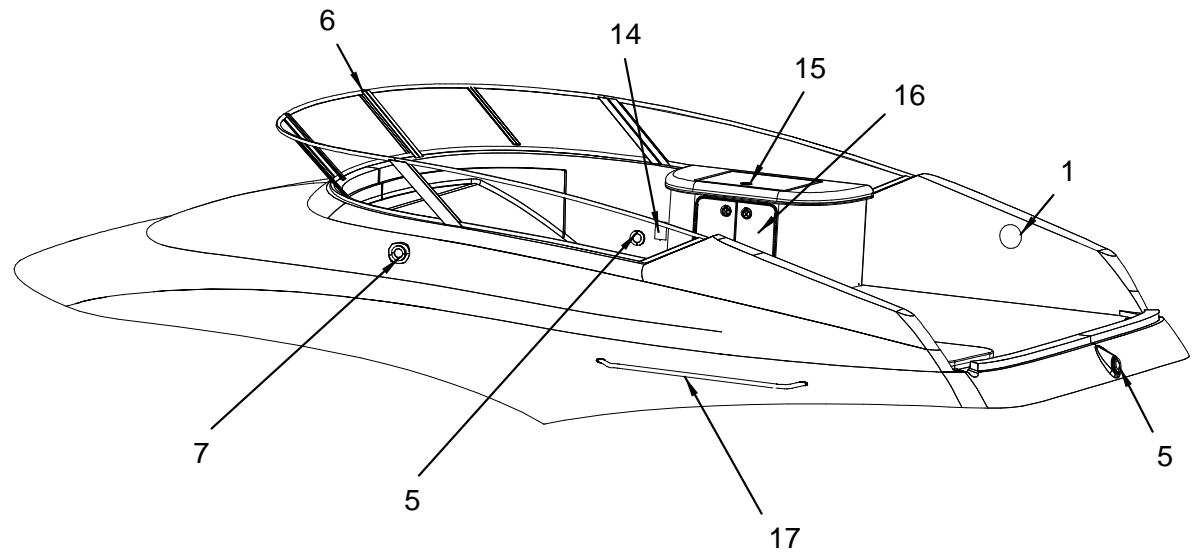


PORT



ENTRY HATCH

STBD



BRIDGE

- 1 1762382 PANEL, PLEX 420DB-04 BRIDGE ACCESS
- 2 893875 LATCH, DOOR HLDR W/CUSH CHR 2.9/16"
- 1286178 CAP, CUSHION TIP FOR DOOR STOP
- 3 1749807 PANEL, 420DB-04 BRDG/CKPT LIGHTS SW WHT
- 4 1755999 SPEAKER, 10" SUBWOOFER ACOM WWHT CVR
- 1773445 GRILL, SPEAKER SUBWOOFER 10" ACOM WHT
- 5 137380 LIGHT, NAV STERN FLUSH MT CKPT
- 1200369 BULB, REPL FOR #0137380/#0783670
- 6 1744968 W/S, 420DB-04 ALUM VENTURI BRNZ PLEX
(NOTE: ORDER DIRECT FROM TAYLOR)
- 1745357 RAIL, SS GRAB 420DB-04 VENTURI SUPPORT
- 7 823179 LIGHT, NAV SIDE WHT VERT 12V STBD
- 823161 LIGHT, NAV SIDE WHT VERT 12V PORT
- 646356 BULB, DBL END 12V FOR #0256313/794826
- 8 1745362 RAIL, SS GRAB 420DB-04 BRDG SIDE HAND STB
- 9 1743987 HINGE, LOOSE PIN SS (ORCAS)
- 10 732792 BRACKET, SS GAS CYL 90DEG 2.062" W/STUD
- 11 1775847 420DB 05,HATCH,ENTRY BRDG FBRGLS
- 1396142 MOLDING, FOAM RBR "D-SHAPE" 1.75" W/HAT ADH
- 12 988758 LATCH, GARAGE DOOR DOG DOWN WHT
- 1137017 PLATE, STRIKER SS 560DB-98 BRDG HATCH
- 1418946 SHIM, HDPE 480DB-00 BRDG HATCH HANDLE
(HULL#600->UP)
- 13 1414689 CYLINDER, GAS SS 40PSI 20"EXT X 12"COMP
- 14 180067 COVER PLATE, WATERPROOF RECEPT W/2 DOORS
- 627737 BOX, RECEPTACLE/SWITCH PVC 1-GANG DEEP
- 145136 RECEPTACLE, CORR RESISTANT GREY
- 15 1750404 LID, HDPE 420DB-04 ENTR CTR W/HDWR
- 16 1750386 DOOR, HDPE 420DB-04 BRDG ENTR CTR P/S
- 663708 BUMPER, CLEAR .020" THICK
- 17 1745361 RAIL, SS GRAB 420DB-04 BRDG SIDE HAND PRT

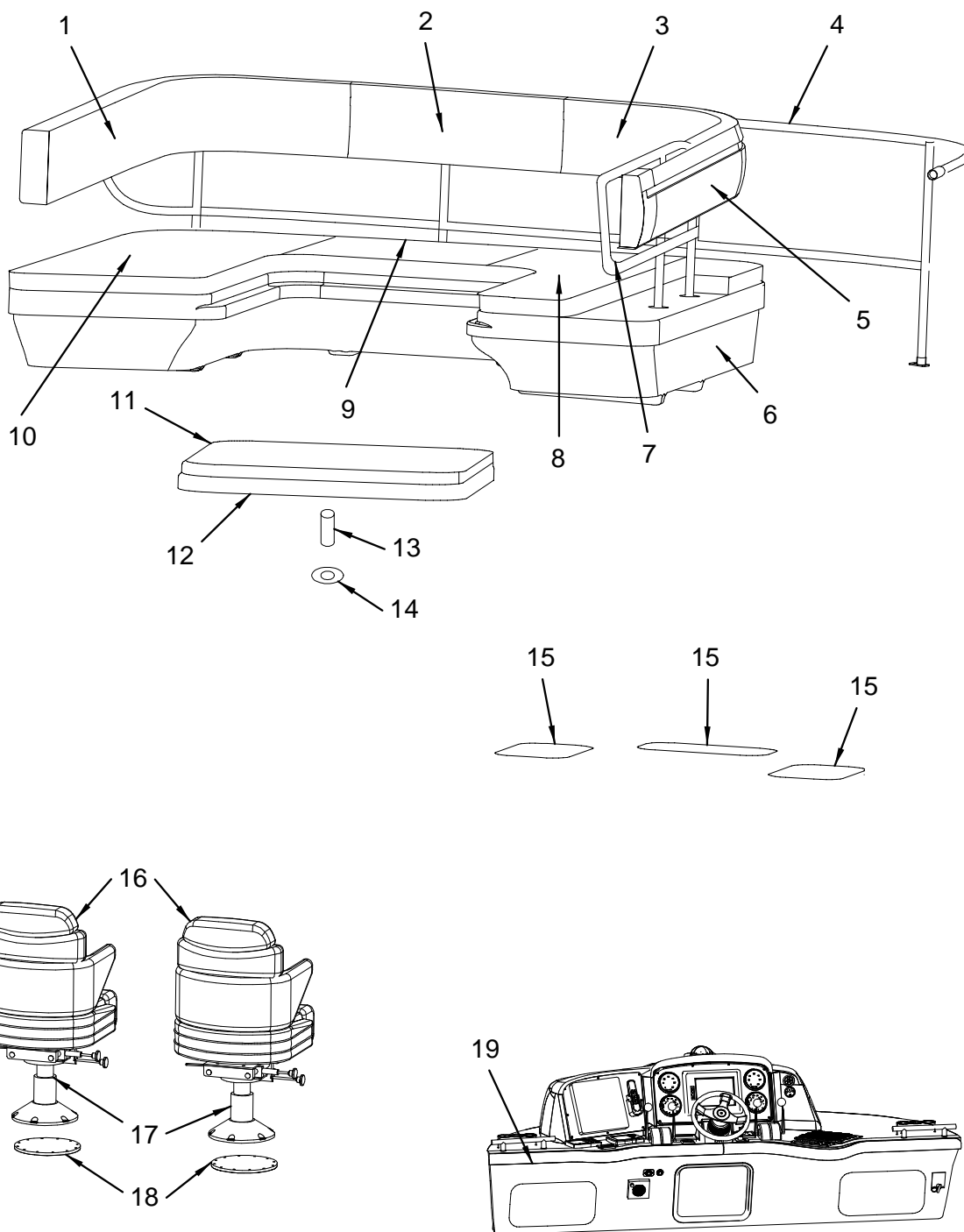
ENTERTAINMENT CENTER

- 1750561 TRIM, LDPVC 400DB-01 BRDG ENTR/CTR
- 186304 NOSING, ALUM 3/4" SATIN FINISH
(HULL#515->569)
- 334672 BUMPER, RECESSED WHT ROUND
- 407247 FLOORING, VINYL GRID DECKING WHT "DRI-DEK"
- 991612 ANGLE, PVC 2"X 2"X 1/4"X 10' WHT

NOT SHOWN

- 123901 HOSE, CORR BILGE 1 1/8" BLK
- 1362698 TRACK, VINYL AWNING WHT "FLEX-A-RAIL" 15'
- 1750900 PLATE, HDPE 1/4"X 11"X 11" W/1/2"RD
- 1752617 BRACE, 420DB-04 BRIDGE
- 186221 BRACKET, ALUM 1.5"X 1.5"X 1.5"SUPPORT
- 186239 BRACKET, ALUM 1.5"X 1.5"X 3"
- 587535 BELL, FOG BELL 8" CHR/BRZ REMOVEABLE
- 876458 COVER PLATE, CABLE TV WEATHERPROOF OUTLET

BRIDGE SEATING AND UPHOLSTERY



BRIDGE SEATING AND UPHOLSTERY

- 1 1775829 420DB 05,BLSTR,AFT SEAT STB BRDG
 1775830 420DB 05,BLSTR SKN,AFT SEAT STB BRDG
 1751974 FOAM, P/C 420DB-04 BRDG BLSTR
 1751759 BRACE, P/B 420DB-04 BRDG U-SHPD BOLSTER STB
 2 1775831 420DB 05,BLSTR,AFT SEAT CTR BRDG
 1775832 420DB 05,BLSTR SKN,AFT SEAT CTR BRDG
 1751974 FOAM, P/C 420DB-04 BRDG BLSTR
 1751760 BRACE, P/B 420DB-04 BRDG U-SHPD BOLSTER CTR
 3 1775833 420DB 05,BLSTR,AFT SEAT PRT BRDG
 1775834 420DB 05,BLSTR SKN,AFT SEAT PRT BRDG
 1751974 FOAM, P/C 420DB-04 BRDG BLSTR
 1751761 BRACE, P/B 420DB-04 BRDG U-SHPD BOLSTER PRT
 4 1745355 RAIL, SS GRAB 420DB-04 AFT BRDG ASSY
 5 1775835 420DB 05,BLSTR,BRDG U-SEATING FRBGLS
 6 1775836 420DB 05,BASE,BRDG U-SEATING FRBGLS
 7 1750833 RAIL, SS GRAB 420DB-04 BRDG SEAT BLSTR
 8 1775837 420DB 05,CUSH,AFT SEAT PRT BRDG
 1775838 420DB 05,CUSH SKN,AFT SEAT PRT BRDG
 1750357 BOARD, P/B 420DB-04 BRDG SEAT CUSH PRT
 1751973 FOAM, P/C 420DB-04 BRDG SEAT
 1752076 CLEAT, LDPVC 420DB-04 BRDG SEAT CUSH BOARD
 9 1775839 420DB 05,CUSH,AFT SEAT CTR BRDG
 1775840 420DB 05,CUSH SKN,AFT SEAT CTR BRDG
 1750360 BOARD, P/B 420DB-04 BRDG SEAT CUSH CTR
 1751973 FOAM, P/C 420DB-04 BRDG SEAT
 1752076 CLEAT, LDPVC 420DB-04 BRDG SEAT CUSH BOARD
 10 1775841 420DB 05,CUSH,AFT SEAT STB BRDG
 1775842 420DB 05,CUSH SKN,AFT SEAT STB BRDG
 1750361 BOARD, P/B 420DB-04 BRDG SEAT CUSH STB
 1751973 FOAM, P/C 420DB-04 BRDG SEAT
 1752076 CLEAT, LDPVC 420DB-04 BRDG SEAT CUSH BOARD
 11 1775843 420DB 05,CUSH,AFT SEAT FILR BRDG
 (TABLE BRIDGE W / SUNPAD FILLER CUSHION)
 1775844 420DB 05,CUSH SKN,AFT SEAT FILR BRDG
 (TABLE BRIDGE W / SUNPAD FILLER CUSHION)
 1752650 FOAM, P/C 420DB-04 BRDG FLR CUSH OPT
 (TABLE BRIDGE W / SUNPAD FILLER CUSHION)
 12 1775845 420DB 05,CVR,COCKTAIL TBL BRDG
 (TABLE BRIDGE W / SUNPAD FILLER CUSHION)
 1275650 FBRGLS PART, CKPT TBL
 (TABLE BRIDGE W / SUNPAD FILLER CUSHION)
 13 1476779 POST, TABLE LEG 25"X 2.25" ALUM RIB DBL TPR
 (TABLE BRIDGE W / SUNPAD FILLER CUSHION)
 1481233 POST, TABLE LEG 8.25"X 2.25" ALUM RIB DBL TPR
 (TABLE BRIDGE W / SUNPAD FILLER CUSHION)
 14 876961 BASE, LEG/POST FLUSH MT ALUM
 (TABLE BRIDGE W / SUNPAD FILLER CUSHION)
 876979 BASE, LEG/POST SURF MT ALUM
 (TABLE BRIDGE W / SUNPAD FILLER CUSHION)
 15 935809 FRAME, ALUM 12.5"X 22.5"X 2.5"R WHT
 16 1740747 HELMSEAT, YACHT-03 W/THRS SSW GREY
 1787232 HELMSEAT, YACHT-03 W/THRS SKIN SSW GREY
 1787233 HELMSEAT, YACHT-03 W/THRS ARMREST SSW GREY
 1787235 HELMSEAT, YACHT-03 W/THR ARMREST SKN SSW GREY
 1787236 HELMSEAT, YACHT-03 W/THRS FRAME SSW GREY
 1787238 HELMSEAT, YACHT-03 W/THRS FRAME SKN SSW GREY
 1787239 HELMSEAT, YACHT-03 W/THRS HEADREST SSW GREY
 1787240 HELMSEAT, YACHT-03 W/THRS HDRST SKN SSW GREY
 1787241 HELMSEAT, YACHT-03 W/THRS LWR BACK SSW GREY
 1787243 HELMSEAT, YACHT-03 W/THRS LWRBCK SKN SSW GREY
 1787244 HELMSEAT, YACHT-03 W/THRS LEGROLL SSW GREY
 1787245 HELMSEAT, YACHT-03 W/THRS LEGROLL SKNSSW GREY
 1787246 HELMSEAT, YACHT-03 W/THRS BTM CUSH SSW GREY
 1787247 HELMSEAT, YACHT-03 W/THRS BTMCUSH SKNSSW GREY
 1787248 HELMSEAT, YACHT-03 W/THRS MID BACK SSW GREY
 1787249 HELMSEAT, YACHT-03 W/THRS MIDBACK SKNSSW GREY
 1787250 HELMSEAT, YACHT-03 W/TR LWR BACK CUSH SSW GREY
 1787251 HELMSEAT, YACHT-03 W/TR LWRBK CSH SKNSSW GREY
 17 1763530 PEDESTAL/SLIDE, CMDR W/COLLAR 14.25"18.25"
 18 1269422 PLATE, HELM SEAT BASE DETACHABLE
 1746052 PLATE, ALUM 3/8"X 8"X 16" H/S BACKING
 19 1775855 420DB 05,MUFF,DASH STB
 1775856 420DB 05,MUFF,DASH PRT
 1752364 FOAM, P/C 420DB-04 BRDG DASH BLSTR

NOT SHOWN

- 912774 NOSING, VINYL 1"X 1/4"X 12' RIGID SR WHT

UPHOLSTERY MATERIALS

- 1183219 WELT, SEABROOK D SEAWHT 5/32"
 1471481 HIDE, SEABROOK D SEA WHITE 5/8"

UPHOLSTERY MATERIALS (continued)

- 156901 WELT, WELT CORD SYNTHETIC 5/32" X 1000'
 1751875 INSERT, 34X30 SSW 1/4"LAM W/8.5"GREY SCPT
 598029 VINYL, SLIT 8" WHITE MESH
 602169 TAB, PULL TAB MATERIAL 1.5"X 250YDS
 773630 MESH, WHITE 54"

VINYL - ACCENT

- 1618685 VINYL, SLIT 1.5" DADE PEWTER MIST EXP
 1619626 VINYL, DADE PEWTER MIST EXP FLAT

VINYL

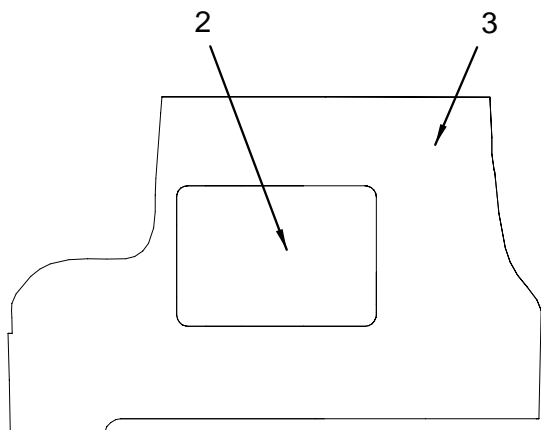
- 1761324 VINYL, SEABROOK D SEA WHITE 1/4"F/B W/ADH
 1142959 VINYL, SEABROOK D SEA WHITE EXP FLAT
 (TABLE BRIDGE W / SUNPAD FILLER CUSHION)

NOT SHOWN

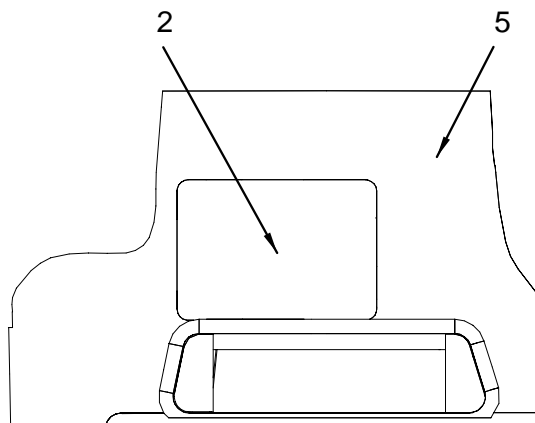
- 1739504 NOSING, VINYL 1"X 1/4"X 12' WHT W/SCRW RECESS
 1740978 NOSING, VINYL 1"X 1/4"X 12' WHT INSERT
 407247 FLOORING, VINYL GRID DECKING WHT "DRI-DEK"

SNAP-IN CARPET LINER

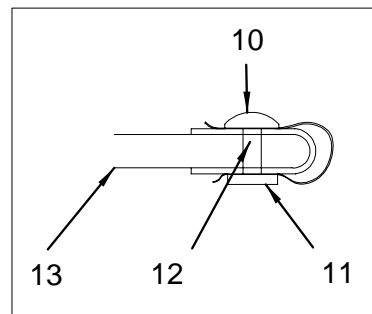
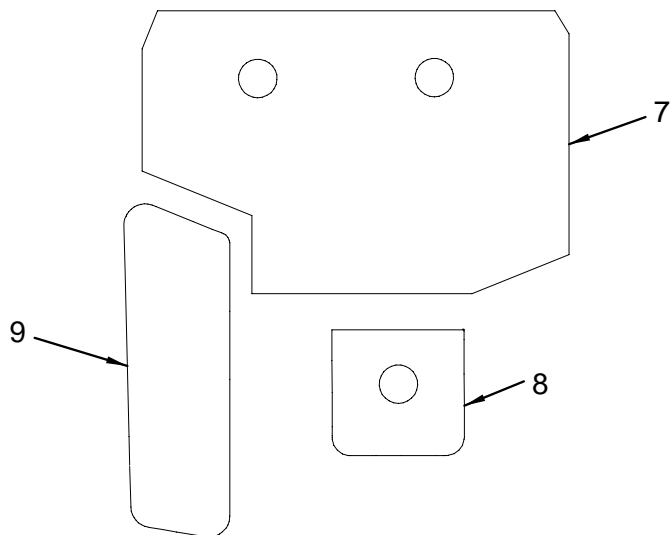
1
↓
COCKPIT CARPET Cmplt



4
↓
COCKPIT CARPET Cmplt
W/AFT BENCH SEAT



6
↓
BRIDGE SNAP-IN CARPET LINER



SNAP-IN CARPET LINER

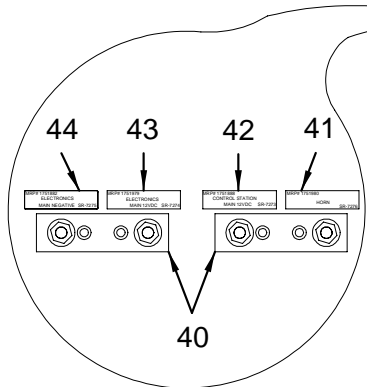
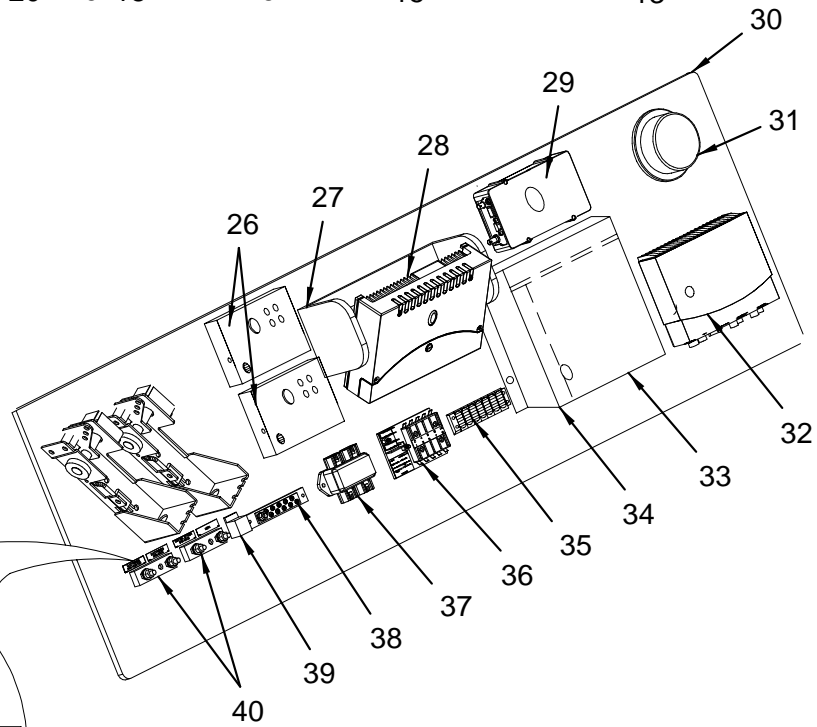
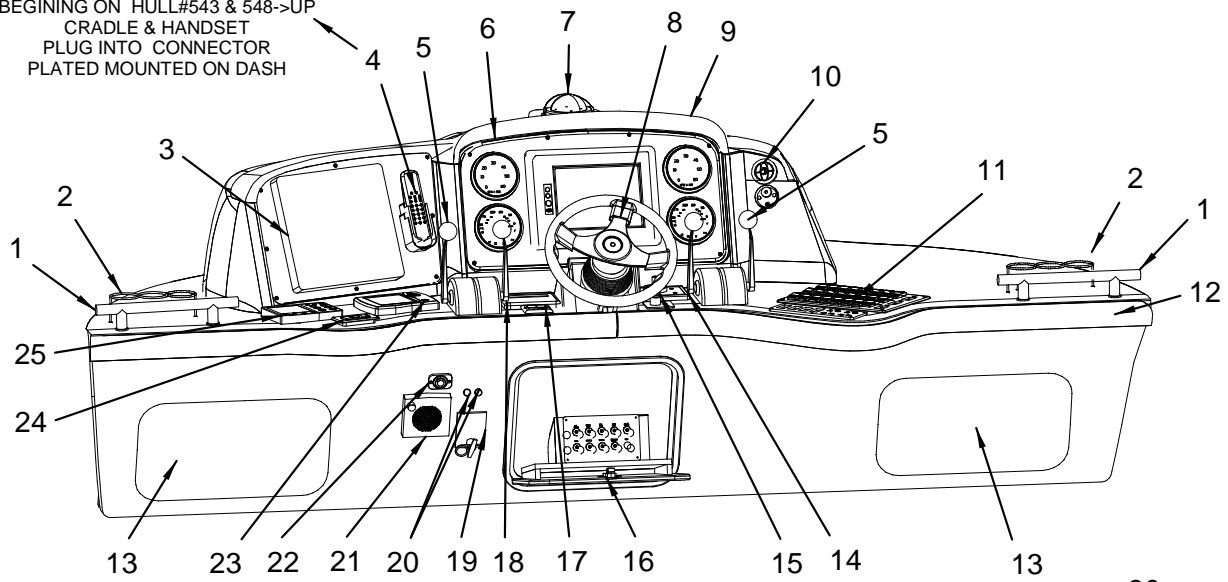
- 1 1775809 420DB 05,CARPET,CMPLT STD SNPN CKPT
- 2 1775810 420DB 05,CARPET,HATCH SNPN CKPT
- 3 1775811 420DB 05,CARPET,LG STD SNPN CKPT
- 4 1775812 420DB 05,CARPET,CMPLT W/AFT BNCH SNPN CKPT
- 5 1775813 420DB 05,CARPET,LG W/AFT BNCH SNPN CKPT
- 6 1775846 420DB 05,CARPET,SNPN CMPLT BRDG
- 7 1775848 420DB 05,CARPET,SNPN FWD BRDG
- 8 1775849 420DB 05,CARPET,SNPN AFT BRDG
- 9 1775850 420DB 05,CARPET,SNPN PRT BRDG
- 10 524256 SNAP BUTTON, W/ 1/4" BARREL WHT
- 11 154393 SNAP SOCKET, MED ACTION
- 12 154369 SNAP STUD, W/#8 X 3/8" PH SS
- 13 1609916 CARPET, EXT 28 OZ DUNE PEBBLE #902 RL 7"W

NOT SHOWN

- 498006 SNAP CAP, WASHER FLAT BOTTOM 8/8-F/B

BRIDGE (HELM)

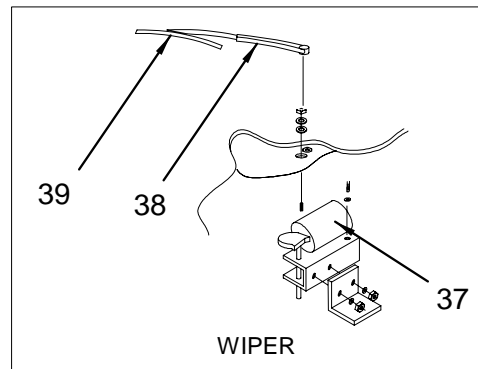
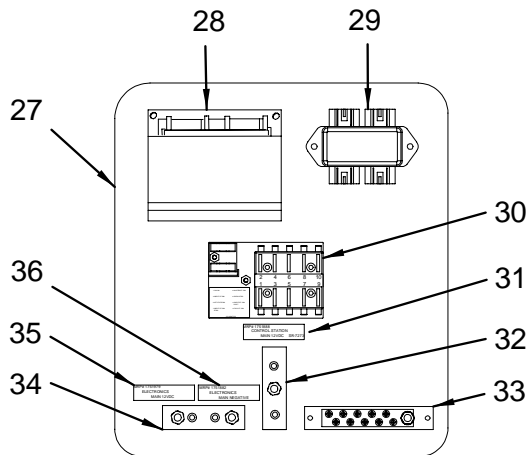
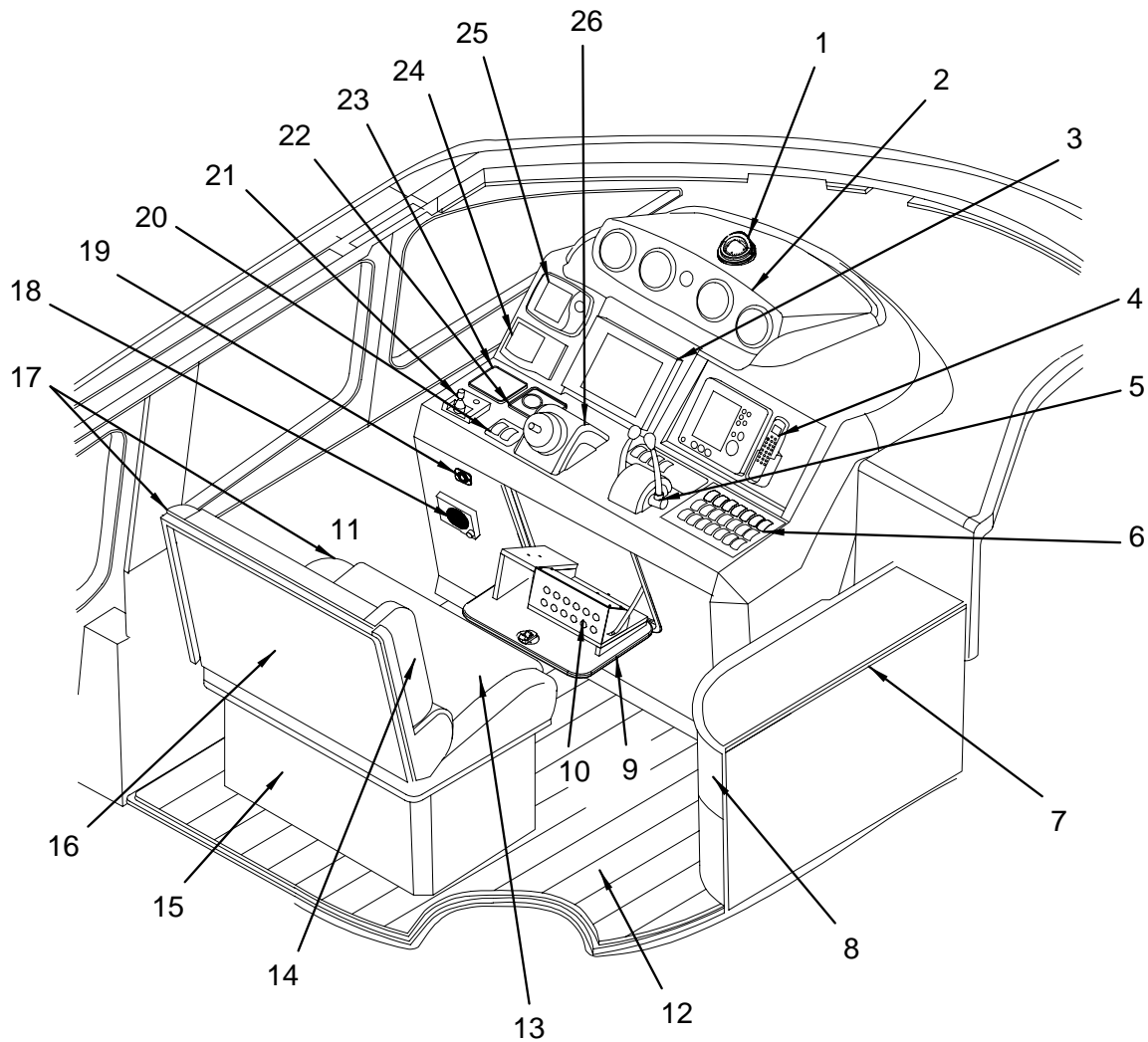
BEGINNING ON HULL#543 & 548->UP
 CRADLE & HANDSET
 PLUG INTO CONNECTOR
 PLATED MOUNTED ON DASH



BRIDGE (HELM)

1	1718790	RAIL, SS GRAB 14" RETAINER	26	1758689	NAVIGATOR, SRNII PWR SUPPLY (SEA RAY NAVIGATOR II 12.1 CHARTPLOTTER)
2	1750873	HOLDER, DRINK SS 2-RING 3" (KING)	27	1669563	MOUNT, P/B AUTOPILOT PIVOT ASSY (AUTOPILOT - RAYMARINE ST 6001+)
3	1790403	PANEL, BLANK:400DB/500DA-05 (HULL#543 & 548->UP) (SEE VHF PANEL PAGE FOR OPTIONAL DISPLAYS)	28	1612761	AUTO PILOT, RAYPILOT TYPE 1 T150 CORE PACK (AUTOPILOT - RAYMARINE ST 6001+)
	1743907	PANEL, BLANK:400DB/500DA-03 230 VHF (HULL#508->547 EXCLUDING 543)(SEE VHF PANEL PAGE FOR OPTIONAL DISPLAYS)	29	1478957	GPS, RAYNAV 300 GPS W/WAAS SENSOR
4	1690848	RADIO, SGL STATION CRADLE HANDSET KIT (HULL#543 & 548->UP)		1592617	GPS, RAYSTAR RS120 SENSOR SEATALK WAAS
	1795503	RADIO, SGL STATION CRADLE HANDSET KIT VHF 240 (HULL#543 & 548->UP)		1800496	GPS, RAYSTAR RS125 SENSOR NMEA & SEATALK (RAYMARINE C120 (12") CHART PLOTTER / RADAR)
5	1051689	CONTROL, THRTL/SHFT W/SS HANDLES W/GOLD KNOBS	30	1719067	BOARD, P/B 420DB-04 CNTRL STATION COMPONENT
	907063	KNOB, CONTROL GOLD SMOOTH	31	485359	SENDING UNIT, ENG SYNC MODULE (CUMMINS)
	907097	KNOB, CONTROL GOLD GROOVED W/RED ID	32	1781360	RADIO, VHF RAYMARINE RAY 240 (HULL#543 & 548->UP)
	1762415	BEZEL, DOME POLISHED SS FOR MRP#1051689		1683806	RADIO, VHF RAYTHEON RAY 230 (HULL#502->547 EXCLUDING 543)
	1073758	CONTROL, NEUTRAL SAFETY SWITCH	33	1772045	DEPTH FINDER, DIGITAL SOUND R MODL HSB2/DSM250 (RAYMARINE DSM250 FISH FINDER)
	1413863	CONTROL, ELECTRIC SHIFT SWITCH FOR SRB	34	1772608	NAVIGATOR, SRNII RADAR JUNCTION BOX (SEA RAY NAV.II CHARTPLOTTER W/RADAR OVERLAY)
6	1765969	PANEL, BLANK:420DB-04 INST TELE MLL GPS/TRI (SEE INSTRUMENT PANEL SECTION FOR BREAKDOWN)	35	1592617	GPS, RAYSTAR RS120 SENSOR SEATALK WAAS (RAYMARINE C120 (12") CHART PLOTTER / RADAR)
	1744885	PANEL, BLANK:420DB-04 INST W/SCRFT/GPS/SYSV (T-CUMMINS 480CE (T-446 PHP) INBOARDS DIESEL)	36	937490	FUSE BLOCK, 10-GNG BLADE-TYPE ELECTRONICS
	1774942	PANEL, BLANK:420DB-05 INST TELE SRNII (SEA RAY NAVIGATOR II 12.1 CHARTPLOTTER)	37	1507326	ACC PART, MERC S-CRFT JUNC BOX 4-WAY (T-CUMMINS 480CE (T-446 PHP) INBOARDS DIESEL)
	1791436	COVER, INST SRNII 12.2 VIN BURL (SEA RAY NAVIGATOR II 12.1 CHARTPLOTTER)	38	643510	BUSS BAR, DC GROUND 10-POSITION SML
	1780613	PANEL, BLANK:420DB-05 RAY C-120/CUMMINS 6CTA (RAYMARINE C120 (12") CHART PLOTTER / RADAR)	39	828103	RELAY, SPST 12V/40A
7	1772695	COMPASS, FLUSH MT 3.75" BLK (NEW STYLE)	40	829432	BUSS BAR, DBL POST 5/16"
	1798174	BULB, COMPASS REPL (SUNSHADE)	41	1751980	LABEL, HORN
	1798175	BULB, COMPASS REPL (FRONT)	42	1751888	LABEL, CONTROL STATION MAIN 12VDC
8	1738115	STEERING WHEEL, 3-SPOKE WOOD W/URETH PAD	43	1751979	LABEL, ELECTRONICS MAIN 12VDC
	1743362	STEERING WHEEL, 3-SPOKE WOOD (WHEEL ONLY)	44	1751882	LABEL, ELECTRONICS MAIN NEGATIVE
	1683795	STEERING WHEEL, RING FOR 1526292/1738115	LABELS		
	758599	HUB KIT, STEERING WHEEL DINO 332	155754	155754	LABEL, COMPASS
	1743361	STEERING WHEEL, RND CHR MEDALLION HLDR	1743530	1743530	LABEL, SHIFT (LEXAN)
	317032	STEERING, HELM PUMP SEA STAR I TILT	1743531	1743531	LABEL, THROTTLE (LEXAN)
9	1750228	VISOR, DASH 420SDB/500DA-04 DK BRNZ FULL WRAP	1743533	1743533	LABEL, BRIDGE CAPACITY 1080 LB (LEXAN)
10	1755469	STEREO, REMOTE CNTRL W/DIG DSPLY FOR XMD3 BLK	1743548	1743548	LABEL, WARNING RUNNING BOAT W/DOOR OPEN
	1312750	CABLE, CLARION REMOTE EXTENSION CABLE 24'	1744738	1744738	LABEL, RECEPTACLE 12V-15A MAX (LEXAN)
11	1774826	PANEL, 420DB-05 SW UPR CNTRL STA (SEE SWITCH PANEL SECTION FOR BREAKDOWN)	1745519	1745519	LABEL, DANGER SHUT OFF ENG WHEN NEAR SWIMMERS
	1774825	PANEL, BLANK:420DB-05 SWITCH UPR CNTRL	1746899	1746899	LABEL, DANGER CARBON MONOXIDE (LEXAN) (HULL#507->544)
12	1718628	BOARD, DR/ABS 420DB-04 CNTRL STATION BLSTR	1752716	1752716	PLATE, NMMA YACHT CERT GAS
13	1752616	PANEL, HDPE 420DB-04 HELM LWR STRG	1776624	1776624	LABEL, SYSTEM MONITOR MODULE (LEXAN)
14	1756729	PAD, SPOTLIGHT REMOTE CONTROL (ARC SPOTLIGHT)	1746224	1746224	LABEL, INFO HELM SAFETY
15	981308	PANEL, BOW THRUSTER (BRAVO BURL) (BOW THRUSTER)	1743452	1743452	LABEL, STICKER 420DB CANADIAN CONFORMITY (CANADIAN CONFORMITY STICKER)
16	1455781	DOOR, STRG W/13 3/8"X16 7/16"W/CRD SLT WHT SS	NOT SHOWN		
	1752876	COVER, ABS 420DB-04 CNTRL ST BRKR PNL WHT	1096361	1096361	CONN, ISOLATOR GROUND LOOP
	156893	WEBBING, POLYPROPYLENE 1" BLACK	1123926	1123926	EXTENSION, CABLE 10' SEATALK
17	157487	SWITCH, TRIM TAB RCKR CNTRL N/HARNES	1195478	1195478	DRAIN, PUSH IN 3/8" BLK
18	1769722	PANEL, SYS MON IND (LCD) 2004	1451137	1451137	ISOLATOR, ANTENNA GROUND (MAGIC)
	984682	MODULE, SYS MON INTERFACE (LCD)	1502202	1502202	HOSE, CONDUIT/SPLIT 2" FLAME RETARDANT
	1776624	LABEL, SYSTEM MONITOR MODULE (LEXAN)	1773406	1773406	TRIM, PVC "J" HARDTOP WHITE 16"(DOOR OPENING)
19	609123	HALON SYS, MANUAL/AUTO 800CF	179242	179242	BUSS BAR, 6-GANG TERMINAL STRIP
	1766470	HALON CABLE, MANUAL PULL CABLE 28'	198465	198465	BRACKET, ALUM 1/8"X 3/4"X 1.5"X 3" L SUPPORT
	625392	HALON SYS, SECONDARY INDICATOR ONLY 12V	407247	407247	FLOORING, VINYL GRID DECKING WHT "DRI-DEK"
	1266782	FIRE EXT SYS, FM200 800CF GAS/DSL-MAN/AUTO (C E OPTION GROUP)	991612	991612	ANGLE, PVC 2"X 2"X 1/4"X 10' WHT
	1266790	FIRE EXT SYS, FM200 500CF GAS/DSL-MAN/AUTO (C E OPTION GROUP)	1793520	1793520	TAPE, DASH PNL STRIPE SHADE 3 OF NIGHT
20	1776486	RECEPTACLE, SRN II USB SOCKET W/CONN (SEA RAY NAVIGATOR II 12.1 CHARTPLOTTER)			
21	1795501	SPEAKER, REMOTE VHF 240 EXTERNAL W/VOL CNTRL (HULL#543 & 548->UP)			
	1684124	SPEAKER, REMOTE VHF 230 EXTERNAL W/VOL CNTRL (HULL#502->547 EXCLUDING 543)			
22	1287283	RECEPTACLE, FEMALE 12V LONG THRD BLK			
	1259977	PLATE, FEMALE 12V RECEPTACLE MNT			
23	1610385	ACC PART, MERC S-CRFT SYS VIEW (T-CUMMINS 480CE (T-446 PHP) INBOARDS DIESEL)			
	1690376	ACC PART, MERC S-CRFT AIR TEMP SENSOR			
24	1783896	NAVIGATOR, SRNII MOUSE REMOTE CNTRL REV II (HULL#556->UP) (SEA RAY NAVIGATOR II 12.1)			
	1763058	NAVIGATOR, SRNII MOUSE REMOTE CNTRL (HULL#502->543) (SEA RAY NAVIGATOR II 12.1)			
25	1666163	AUTO PILOT, RAYPILOT ST7001 DISPLAY ONLY (AUTOPILOT - RAYMARINE ST 6001+)			
	1669563	MOUNT, P/B AUTOPILOT PIVOT ASSY (AUTOPILOT - RAYMARINE ST 6001+)			

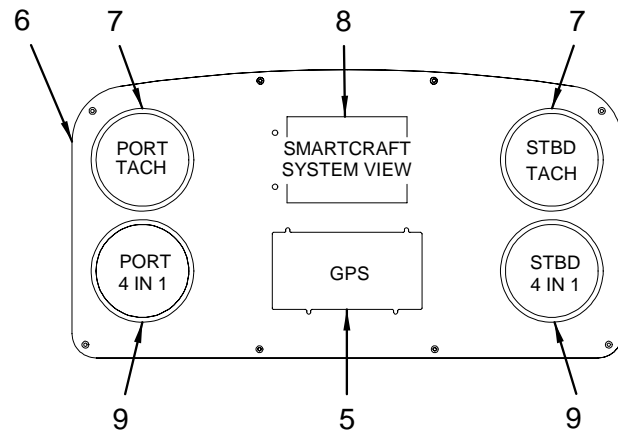
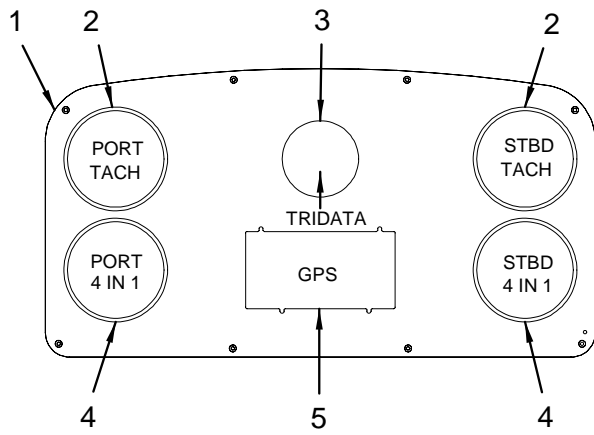
LOWER CONTROL STATION



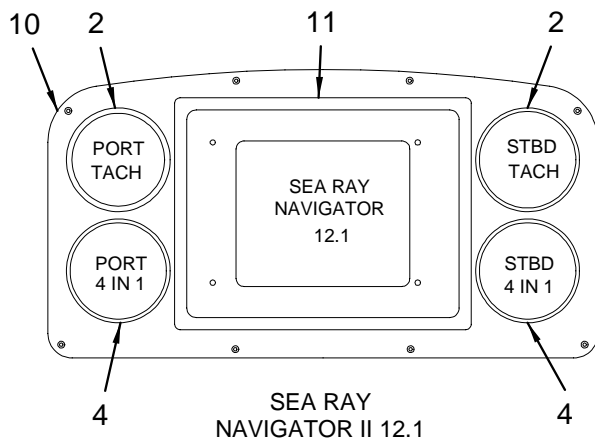
LOWER CONTROL STATION

1	1772695	COMPASS, FLUSH MT 3.75" BLK (NEW STYLE)	30	937490	FUSE BLOCK, 10-GNG BLADE-TYPE ELECTRONICS
	1798174	BULB, COMPASS REPL (SUNSHADE)	31	1751888	LABEL, CONTROL STATION MAIN 12VDC
	1798175	BULB, COMPASS REPL (FRONT)	32	795583	BUSS BAR, SGL POST 5/16"
	777227	COMPASS, FLUSH MT 3.75" WHT (HULL#532 ONLY)	33	643510	BUSS BAR, DC GROUND 10-POSITION SML
	1657816	BULB, COMPASS REPL (141788/156026/783761) (HULL#532 ONLY)	34	829432	BUSS BAR, DBL POST 5/16"
	1806808	BULB, COMPASS REPL (0777227) (HULL#532 ONLY)	35	1751979	LABEL, ELECTRONICS MAIN 12VDC
2	1746773	PANEL, BLANK:420DB-04 INST LWR STA N/SYNC	36	1751882	LABEL, ELECTRONICS MAIN NEGATIVE
	1746774	PANEL, BLANK:420DB-04 INST LWR STA W/SCRFT (LOWER CONTROL W/ 480CE ENGINES)	37	1799712	WIPER MOTOR, "J-SERIES" 12V 53DEG WIDSHFT PRT (HULL#578->UP)
3	1784595	PANEL, BLANK:420DB-05 LWR CS ELECT W/GPS/TRI		1142447	WIPER MOTOR, "J-SERIES" 12V 53 DEG WIDE-SHAFT (HULL#532 & 565)
	1784594	PANEL, BLANK:420DB-05 LOWER CS ELECT W/GPS (LOWER CONTROL W/ 480CE ENGINES)	38	1799692	WIPER ARM, 28" PANTOGRAPH BLK HVY W/MIST KIT (HULL#578->UP)
4	1795503	RADIO, SGL STATION CRADLE HANDSET KIT VHF 240		648410	WIPER ARM, 28" PANTOGRAPH BLACK HEAVY DUTY (HULL#532 & 565)
5	1773926	CONTROL, SERIES 9000 COMMAND ZF		275925	WIPER ARM, PANTOGRAPH ADAPTER KIT ONLY (BLK)
	1791096	CONTROL, CRUISE COMMAND ZF/CUMMINS 2 STATION (LOWER CONTROL W/ 480CE ENGINES)	39	648436	WIPER BLADE, 28" FLEX BLACK HVY DUTY (PANTO)
6	1753567	PANEL, 420DB-04 SW LWR CNTRL STA	HARNESSES		
	1753569	PANEL, BLANK:420DB-04 SW LWR CNTRL STA		1742526	HARNESSES, 420DB-04 ENG 6CTA 8.3M CTRL STA LWR
7	1778706	420DB 05,CAB ASSY,LWR HELM		1749011	HARNESSES, 420DB-04 LWR CNTRL STA
8	1786893	420DB 05,DRWR ASSY,LWR HELM		1749012	HARNESSES, 420DB-04 LWR CNTRL STA W/S WIPER
	1480623	SLIDE ASSY, DRAWER SLIDE 22" ACCURIDE		1690514	HARNESSES, DATA S-CRFT SC1000 1000-30" (LOWER CONTROL W/ 480CE ENGINES)
	1547272	SLIDE ASSY, DRAWER SLIDE 18" ACCURIDE		1784592	HARNESSES, 420DB-05 ENG CUM 480CE W/LWR CS (LOWER CONTROL W/ 480CE ENGINES)
	1794455	DRAWER, MAPLE 22" X 10 3/8" X 8"	LABELS		
	1794456	DRAWER, MAPLE 22"X 10 3/8"X 8" CURVE FRNT		1752856	LABEL, WARNING LTD VISION FROM HELM STN
9	1801889	DOOR, STRG W/13 3/8"X16 7/16" W/CRD SLT BEIGE (HULL#601->UP)		221705	LABEL, WARNING FORWARD VISIBILITY (LEXAN)
	1806104	HINGE, SS 1 1/16"X 11.5"PIANO (HULL#601->UP)		1112598	LABEL, DO NOT OPERATE IF VISIBILITY OBSTRUCTD
	1807535	LATCH, DOOR STRG 13 3/8"X 16 7/16"W/CRD (HULL#601->UP)	NOT SHOWN		
	1147222	DOOR, STRG W/13 3/8"X16 7/16" W/CRD SLT ZPHR (HULL#532->578)		1781613	TOP, KARADON 420DB-05 LWR CNTRL STN LUM GOLD
	1242304	LATCH, FLUSH MOUNT PULL BLK 12MM-17MM (HULL#532->578)		1781614	TOP, KARADON 420DB-05 LWR CNTRL STN CNDL GLW (LOWER CONTROL W/ CANDLE GLOW COUNTERTOPS)
	1332501	HINGE, 410EC-99, PRE-CUT (FOR DOOR 1148113) (HULL#532->578)		184630	SPLITTER, TV/FM 2-WAY HYBRID
10	1749795	PANEL, 420DB-04 BRKR LWR CNTRL STA		757930	SENDING UNIT, TACH SYNC START
	1788176	PANEL, BLANK:420DB-04 BRKR LWR CNTRL STA		757955	SENDING UNIT, TACH DRV SYNC START .187DIA PIN
11	1778666	420DB 05,PNL,LWR CNTRL STA SIDE		769422	VENT, HEATER/DEFROSTER 3" WHT
12	1778708	420DB 05,FLOOR ASSY,LWR HELM		826610	BRKR/ROCK, SGL-POLE MNL RESET DC 30A RED
13	1778700	420DB 05,CUSH,LWR H/S		1596923	FUSE HOLDER, BLADE TYPE ACCY 10A
	1778702	420DB 05,CUSH SKN,LWR H/S		1767751	GAUGE, ENG SYNC 2" MLSS W/PIGTL
14	1778705	420DB 05,ARMRST,H/S LWR		1322940	A/C COMP, GRILL 3" BLK W/DBL LVR
15	1778709	420DB 05,BASE,LWR H/S FBGRGLS		1719358	A/C COMP, PLENUM W/4"IN/4"TOP/3"RT W/BRKT
16	1778698	420DB 05,B/R,LWR H/S		1801215	ANGLE, ALUM 1"X 2"X 2"X 27"
	1778699	420DB 05,B/R SKN,LWR H/S			
17	1778703	420DB 05,H/S CMPLT,LWR			
	1778704	420DB 05,H/S SKN CMPLT,LWR			
	1768307	SUPPORT, SS 420DB-04 LWR HELM SEAT BRACING			
	1767976	FOAM, P/C 420DB-04 LWR HELM SEAT			
	1180769	FABRIC, ULTRALEATHER RAVEN WING #5607			
18	1795134	RADIO, VHF RAYTHEON RAY 240 SECOND STATION			
	1795501	SPEAKER, REMOTE VHF 240 EXTERNAL W/VOL CNTRL			
19	1287283	RECEPTACLE, FEMALE 12V LONG THRD BLK			
	1259977	PLATE, FEMALE 12V RECEPTACLE MNT			
20	157487	SWITCH, TRIM TAB RCKR CNTRL N/HARNESSES			
21	981308	PANEL, BOW THRUSTER (BRAVO BURL) (BOW THRUSTER)			
22	1756729	PAD, SPOTLIGHT REMOTE CONTROL (ACR SPOTLIGHT)			
23	1769722	PANEL, SYS MON IND (LCD) 2004			
24	1666163	AUTO PILOT, RAYPILOT ST7001 DISPLAY ONLY (AUTOPILOT - RAYMARINE ST 6001+) (AUTOPILOT - RAYPILOT ST 7001+)			
	1669563	MOUNT, P/B AUTOPILOT PIVOT ASSY (AUTOPILOT - RAYMARINE ST 6001+) (AUTOPILOT - RAYPILOT ST 7001+)			
25	1610385	ACC PART, MERC S-CRFT SYS VIEW (T-CUMMINS 480CE (T-446 PHP) INBOARDS DIESEL)			
	1690376	ACC PART, MERC S-CRFT AIR TEMP SENSOR			
26	1738115	STEERING WHEEL, 3-SPOKE WOOD W/URETH PAD			
	1683795	STEERING WHEEL, RING FOR 1526292/1738115			
	758599	HUB KIT, STEERING WHEEL DINO 332			
	1340561	STEERING WHEEL, SPOKE CVR W/RING FOR #1298017			
	1743361	STEERING WHEEL, RND CHR MEDALLION HLDR			
	1743362	STEERING WHEEL, 3-SPOKE WOOD (WHEEL ONLY)			
	317032	STEERING, HELM PUMP SEA STAR I TILT			
27	1784686	BOARD, HDPE LOWER CONTROL STATION COMPONENT			
28	1733780	MODULE, WIPER INTMNT CONT			
29	1772608	NAVIGATOR, SRNII RADAR JUNCTION BOX (SEA RAY NAV.II CHARTPLOTTER W/RADAR OVERLAY)			

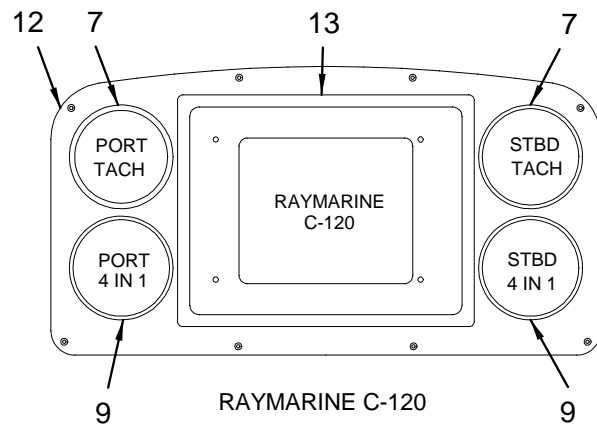
INSTRUMENT PANELS



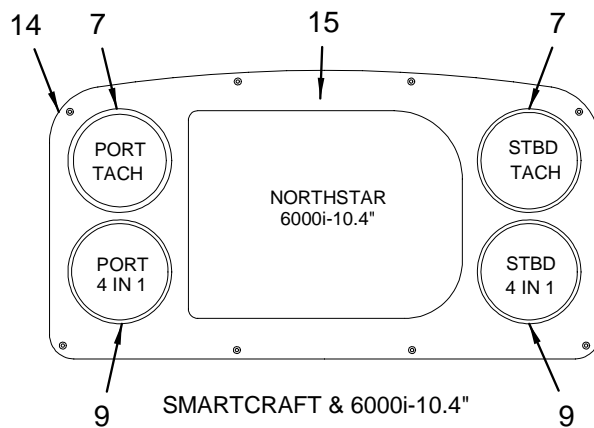
T-CUMMINS 480CE
(T-446 PHP)
INBOARD DIESEL



SEA RAY
NAVIGATOR II 12.1



RAYMARINE C-120



SMARTCRAFT & 6000i-10.4"

INSTRUMENT PANELS

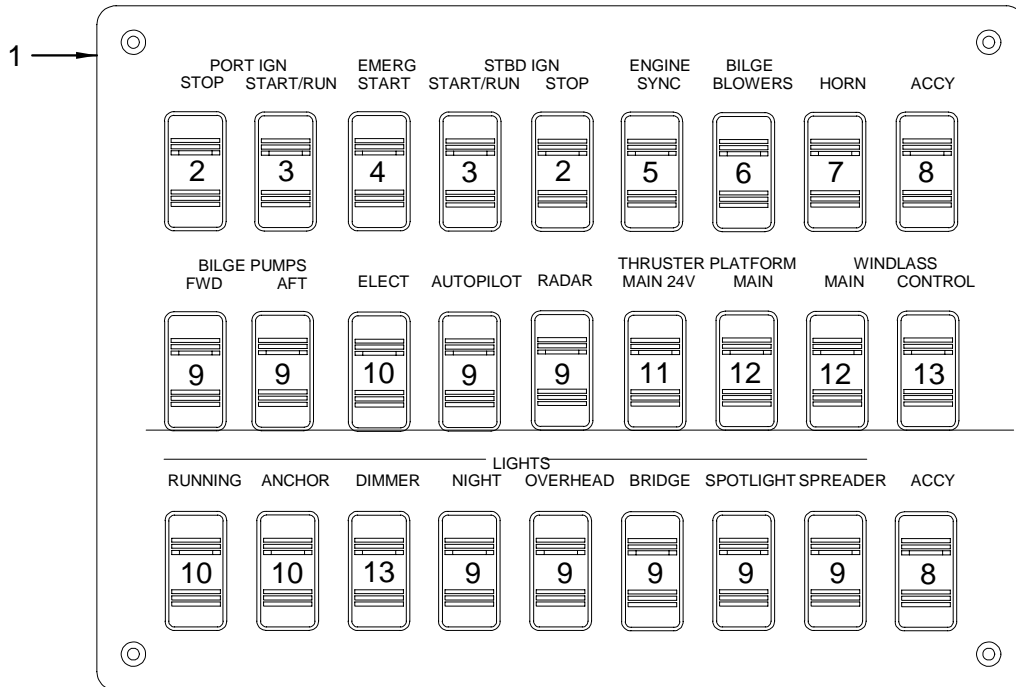
- 1 1765969 PANEL, BLANK:420DB-04 INST TELE MLL GPS/TRI
- 2 1767752 GAUGE, TACH/LCDHOUR 5"4K MAG P/U 12V W/PIGTL
- 3 1408590 TRIDATA, RAYTHEON (DEPTH,SPEED,TEMP,LOG)
- 933853 TRANSDUCER, DEPTH RETRACTABLE VALOX RAYDATA
- 933861 TRANSDUCER, SPEED SELF SEALING VALOX RAYDATA
- 4 1767753 GAUGE, TELE 4/1 SR-5"100PSI 240F V/F STB PGTL
- 5 1478957 GPS, RAYNAV 300 GPS W/WAAS SENSOR
- 1592617 GPS, RAYSTAR RS120 SENSOR SEATALK WAAS
- 1478973 FLUSH MOUNT KIT, RAYNAV 300 GPS
- 1800496 GPS, RAYSTAR RS125 SENSOR NMEA & SEATALK
(RAYMARINE C120 (12") CHART PLOTTER / RADAR)
- 6 1744885 PANEL, BLANK:420DB-04 INST W/SCRFT/GPS/SYSV
(T-CUMMINS 480CE (T-446 PHP) INBOARDS DIESEL)
- 1690371 ACC PART, MERC S-CRFT TRNS W/19" NYL DEP/TEMP
(T-CUMMINS 480CE (T-446 PHP) INBOARDS DIESEL)
- 1765432 PANEL, 500DA-04 INST S-CRFT W/SRN II
(SEA RAY NAVIGATOR W/T-CUMMINS 480CE ENGINES)
- 1780612 PANEL, 420DB/500DA INST W/VDO/S-CRFT RAY C120
(CUMMINS 480CE W/ RADAR C120)
- 7 1690513 GAUGE, TACH VDO 0-4000 RPM
- 8 1610385 ACC PART, MERC S-CRFT SYS VIEW
- 1690376 ACC PART, MERC S-CRFT AIR TEMP SENSOR
- 9 1609007 GAUGE, 5" 4-IN-1 FUEL/VOLT/OIL/TMP S-CRFT
- 10 1774942 PANEL, BLANK:420DB-05 INST TELE SRNII
(SEA RAY NAVIGATOR II 12.1 CHARTPLOTTER)
- 1791436 COVER, INST SRNII 12.2 VIN BURL
(SEA RAY NAVIGATOR II 12.1 CHARTPLOTTER)
- 11 1757377 NAVIGATOR, SRNII MODEL 12.1 COMPUTER
(SEA RAY NAVIGATOR II 12.1 CHARTPLOTTER)
- 1795127 COVER, PLAS PROTECTIVE SRNII NAVIGATOR
(SEA RAY NAVIGATOR II 12.1 CHARTPLOTTER)
- 12 1780613 PANEL, BLANK:420DB-05 RAY C-120/CUMMINS 6CTA
(RAYMARINE C120 (12") CHART PLOTTER / RADAR)
- 13 1772722 NAVIGATION DISPLAY, RAYMARINE C120 12" CLRLCD
(RAYMARINE C120 (12") CHART PLOTTER / RADAR)
- 14 1793507 PANEL, 420DB/500DA INST W/TEFLX&6000I-10.4"
(AUXILIARY NORTHSTAR 6000I GPS/ CHARTPLOTTER)
- 1793511 PANEL, 420DB/500DA INST W/SCRFT&6000I-10.4"
(AUX. NORTHSTAR 600I W/ CUMMINS 480CE)
- 15 1770969 NAVIGATOR, NRTHSTR 6000I 10.4" CMLPT PKG
(AUXILIARY NORTHSTAR 6000I GPS/ CHARTPLOTTER)
- (AUX. NORTHSTAR 600I W/ CUMMINS 480CE)**
- 1770322 NAVIGATION DISPLAY, NRTHSTR 6000I 10.4"
(AUXILIARY NORTHSTAR 6000I GPS/ CHARTPLOTTER)
- (AUX. NORTHSTAR 600I W/ CUMMINS 480CE)**

NOT SHOWN

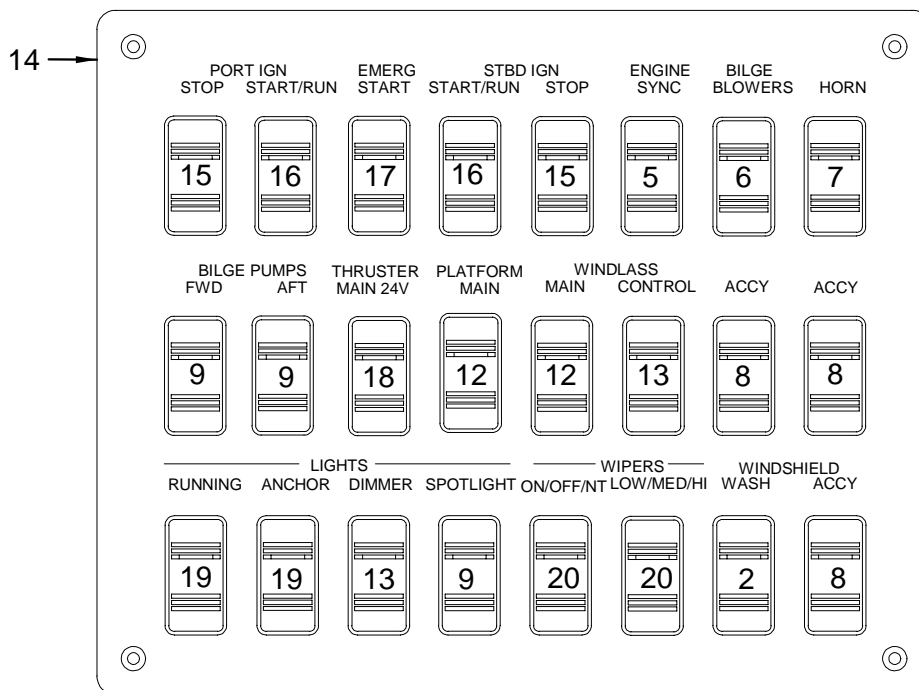
- 1107556 FLUSH MOUNT KIT, L-750 FISHFINDER
(RAYMARINE SL530- COLOR CHART PLOTTER)
- 1772721 NAVIGATION DISPLAY, RAYMARINE C80 8" CLR LCD
(RAYMARINE SL530- COLOR CHART PLOTTER)
- 1799696 NAVIGATION DISPLAY, RAYMARIN C80 8"LCD SUNCVR
(RAYMARINE SL530- COLOR CHART PLOTTER)

SWITCH PANEL

UPPER CONTROL STATION



LOWER CONTROL STATION



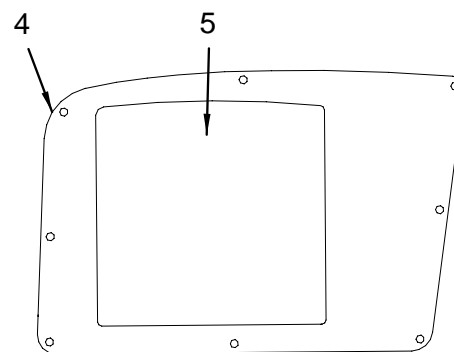
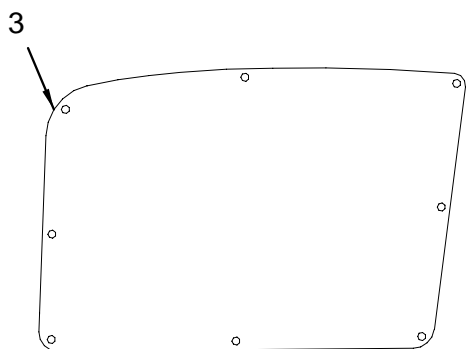
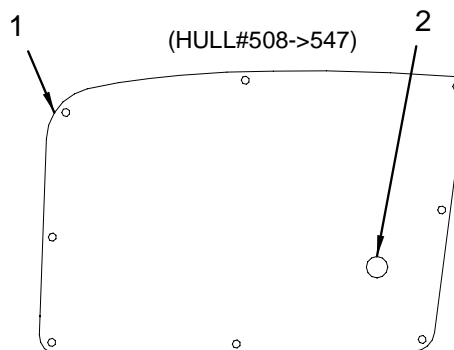
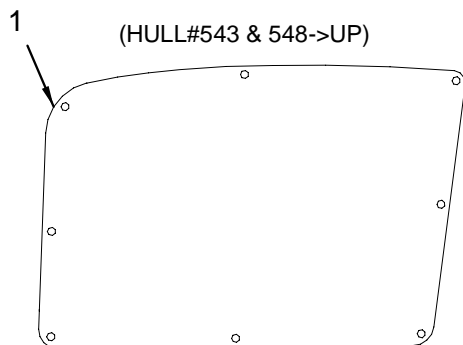
SWITCH PANEL

- 1 1774826 PANEL, 420DB-05 SW UPR CNTRL STA
- 1774825 PANEL, BLANK:420DB-05 SWITCH UPR CNTRL
- 2 681486 ACTUATOR, ROCK BLK W/O LENS ACCY
- 679332 BODY, ROCK SW SPST MOM
- 3 1323070 ACTUATOR, ROCK BLK W/O LENS ENG STRT/STP
(STD ENG)
- 681486 ACTUATOR, ROCK BLK W/O LENS ACCY
(FOR MAN D2848LE403)
- 670521 BODY, ROCK SW 2 CKT PROG
- 4 681486 ACTUATOR, ROCK BLK W/O LENS ACCY
- 1544204 SWITCH, DPST (MOM) EMER START
- 5 679324 ACTUATOR, ROCK BLK W/BLOCK LENS ACCY
- 648097 BODY, ROCK SW SPST BLK 12V INCAND
- 6 679324 ACTUATOR, ROCK BLK W/BLOCK LENS ACCY
- 799304 BODY, ROCK SW SPST (MOM) BLK W/IND INC LAMP
- 7 759084 ACTUATOR, ROCK VERT BLK W/RED HORN SYMBOL
- 679332 BODY, ROCK SW SPST MOM
- 8 720151 PLUG, ROCKER SW 'V' SERIES BLK
- 9 679324 ACTUATOR, ROCK BLK W/BLOCK LENS ACCY
- 648097 BODY, ROCK SW SPST BLK 12V INCAND
- 10 679324 ACTUATOR, ROCK BLK W/BLOCK LENS ACCY
- 1740286 BODY, ROCK SW DPST 12V W/LED LAMP
- 11 679324 ACTUATOR, ROCK BLK W/BLOCK LENS ACCY
- 670513 SWITCH, REFER TO MRP #932871
- 12 679324 ACTUATOR, ROCK BLK W/BLOCK LENS ACCY
- 681494 BODY, ROCK SW DPST MOM 12V W/INDEP INC LAMP
- 13 681486 ACTUATOR, ROCK BLK W/O LENS ACCY
- 767194 BODY, ROCK SW SPST MOM W/BLK BASE
- 955674 SWITCH, DIMMER CONSOLE-ELECTRONIC 5A
- 14 1753567 PANEL, 420DB-04 SW LWR CNTRL STA
- 1753569 PANEL, BLANK:420DB-04 SW LWR CNTRL STA
- 15 681486 ACTUATOR, ROCK BLK W/O LENS ACCY
- 679332 BODY, ROCK SW SPST MOM
- 16 681486 ACTUATOR, ROCK BLK W/O LENS ACCY
- 1544196 SWITCH, DBL 2-CIRCUIT PROGRESSIVE
- 17 681486 ACTUATOR, ROCK BLK W/O LENS ACCY
- 670539 BODY, ROCK SW DPST MOM
- 18 679324 ACTUATOR, ROCK BLK W/BLOCK LENS ACCY
(BOW THRUSTER)
- 1754497 SWITCH, BOW THRUSTER CONT DPST MOM 24V
(BOW THRUSTER)
- 19 679324 ACTUATOR, ROCK BLK W/BLOCK LENS ACCY
- 681510 BODY, ROCK SW DPST 12V W/INC LAMP
- 20 681486 ACTUATOR, ROCK BLK W/O LENS ACCY
- 1734113 BODY, ROCK SW SPST WIPER/ON/OFF/INT

NOT SHOWN

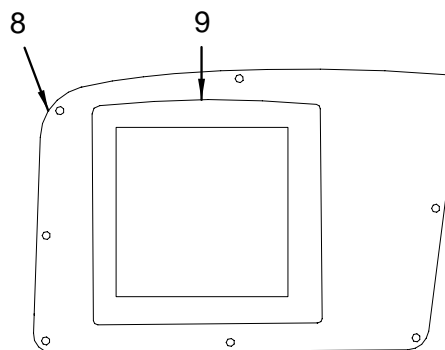
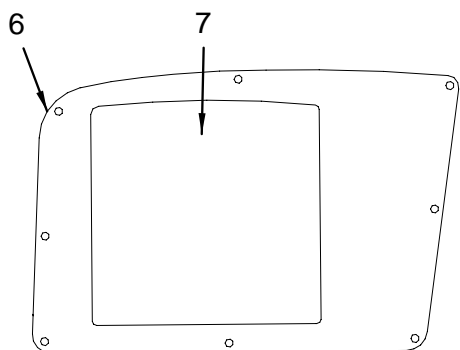
- 826586 BRKR/ROCK, SGL-POLE MNL RESET DC 15A RED
(COCKPIT REFRIGERATOR - 120V/60)

VHF PANEL



RAYMARINE C120 CHARTPLOTTER ONLY
SEARAY NAV II W/C120 RADAR

ADDITIONAL SEARAY NAV II-
ONLY W/SR NAVII



RADAR RL 80CRC W/OPEN ARRAY
RADAR RL80C W/OPEN ARRAY

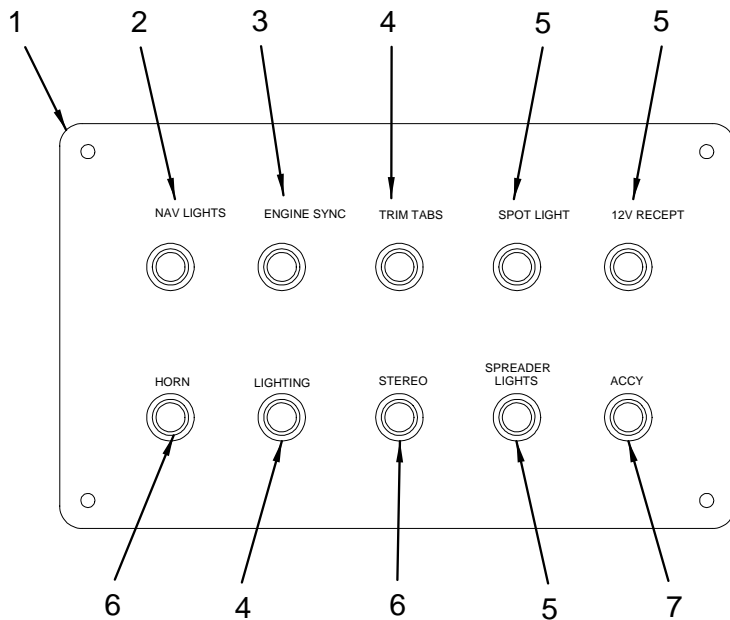
NORTHSTAR 6000I GPS/
CHARTPLOTTER/RADAR

VHF PANEL

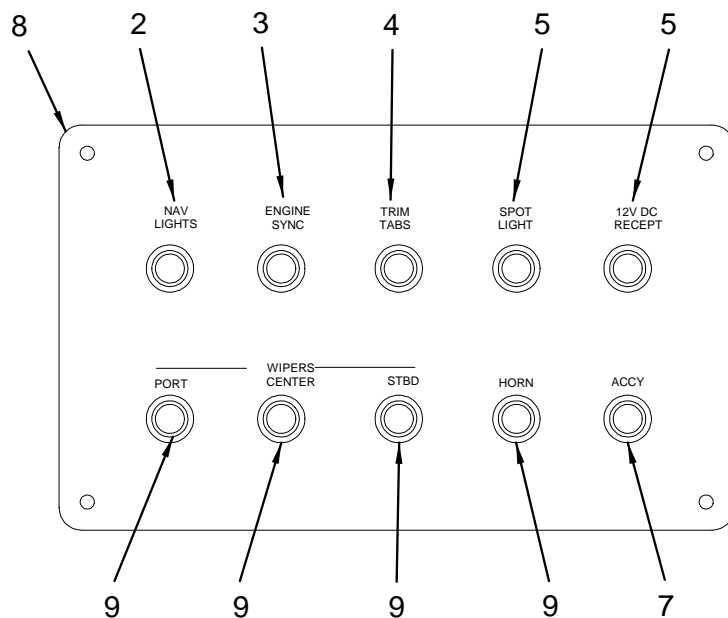
- 1 1790403 PANEL, BLANK:400DB/500DA-05
(HULL#543 & 548->UP)
- 1743907 PANEL, BLANK:400DB/500DA-03 230 VHF
(HULL#508->547 EXCLUDING 543)
- 2 1781360 RADIO, VHF RAYMARINE RAY 240
(HULL#543 & 548->UP)
- 1683806 RADIO, VHF RAYTHEON RAY 230
(HULL#502->547 EXCLUDING 543)
- 1795501 SPEAKER, REMOTE VHF 240 EXTERNAL W/VOL CNTRL
(HULL#543 & 548->UP)
- 1684124 SPEAKER, REMOTE VHF 230 EXTERNAL W/VOL CNTRL
(HULL#502->547 EXCLUDING 543)
- 1795503 RADIO, SGL STATION CRADLE HANDSET KIT VHF 240
(HULL#543 & 548->UP)
- 1690848 RADIO, SGL STATION CRADLE HANDSET KIT
(HULL#502->547 EXCLUDING 543)
- 3 1790404 PANEL, BLANK:420DB/500DA RADAR/C120 REV2
(HULL#556->UP) (RAYMARINE C120 CHARTPLOTTER ONLY)
(SEARAY NAV II W/ C120 RADAR)
- 1787373 PANEL, BLANK:420DB/500DA RADAR/VHF/C120 REV1
(HULL#525->534) (ADDITIONAL RAYMARINE C120 CP ONLY W/
C120)
(SEARAY NAV II W/ C120 RADAR)
- 4 1790405 PANEL, 420DB/500DA-05 SRN II RADAR REV2
(ADDITIONAL SEA RAY NAV II -ONLY W/ SR NAVII)
- 5 1772722 NAVIGATION DISPLAY, RAYMARINE C120 12" CLRLCD
(RAYMARINE C120 (12") CHART PLOTTER / RADAR)
(RAYMARINE C120 CHARTPLOTTER ONLY)
- 1782390 RADAR, CABLE RAYMARINE POWER/DATA Y
(RAYMARINE C120 (12") CHART PLOTTER / RADAR)
- 6 1738480 PANEL, BLANK:400DB/500DA-03 RADAR W/RL80/VHF
(RADAR-RL80CRC W/ OPEN ARRAY)
(RADAR-RL80C W/ OPEN ARRAY)
- 7 1596279 RADAR, PLUS RAYTHEON RL80C 10" COLOR LCD DISP
(RADAR-RL80CRC W/ OPEN ARRAY)
- 1589597 RADAR, PLUS RAYTHEON RL80CRC COLOR DISP
(RADAR-RL80C W/ OPEN ARRAY)
- 8 1793506 PANEL, BLANK:420DB/500DA RADAR W/6000I-10.4"
(NORTHSTAR 6000I GPS / CHARTPLOTTER / RADAR)
- 9 1770969 NAVIGATOR, NRTHSTR 6000I 10.4" CMPLT PKG
(NORTHSTAR 6000I GPS / CHARTPLOTTER / RADAR)
- 1770322 NAVIGATION DISPLAY, NRTHSTR 6000I 10.4"
(NORTHSTAR 6000I GPS / CHARTPLOTTER / RADAR)

CONTROL STATION BREAKER PANEL

UPPER CONTROL STATION BREAKER PANEL

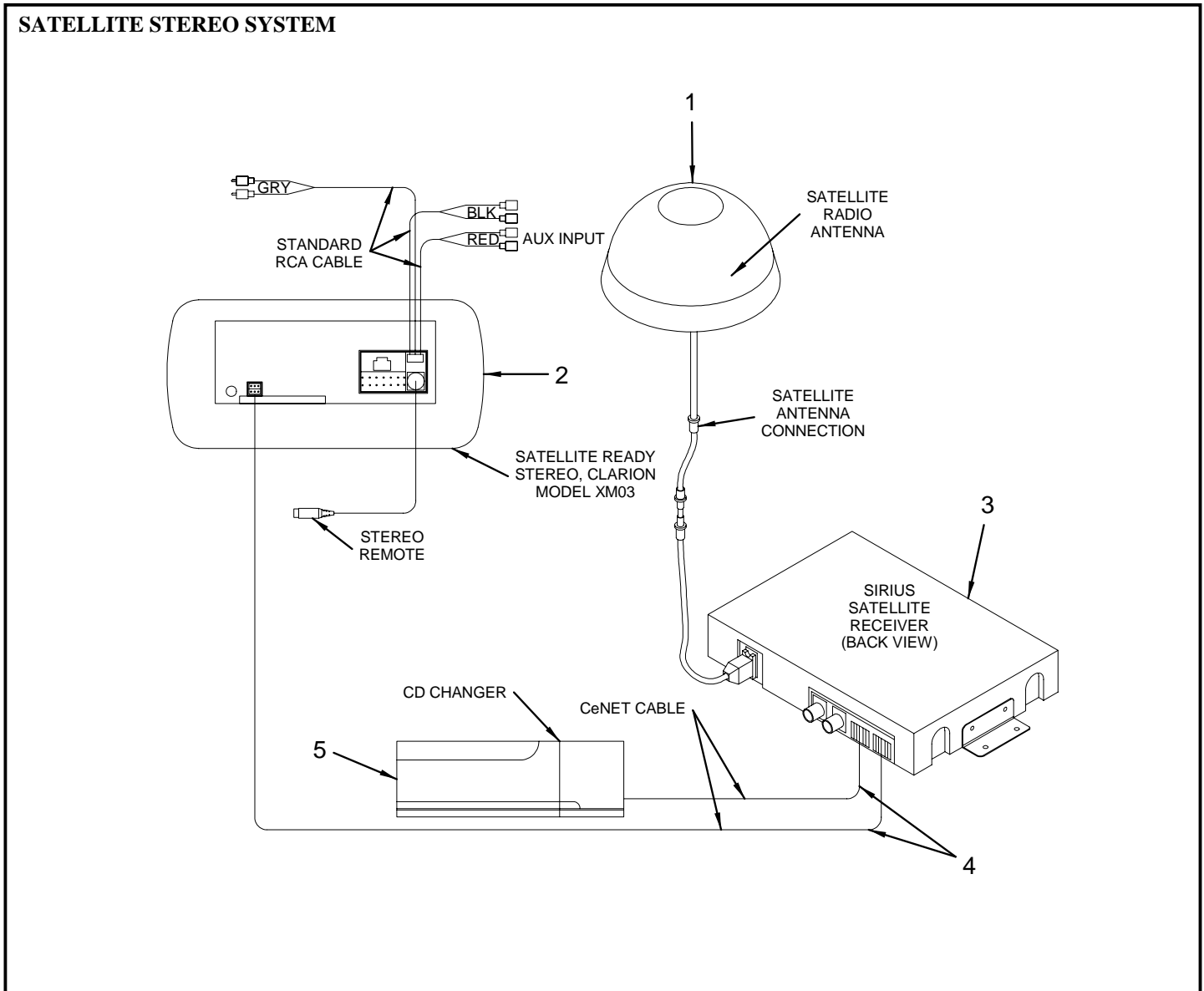


LOWER CONTROL STATION BREAKER PANEL



CONTROL STATION BREAKER PANEL

- 1 1749383 PANEL, 420DB-04 BRKR UPR CNTRL STA
- 1788175 PANEL, BLANK:420DB-04 BRKR UPR CNTRL STA
- 2 533026 BRKR, P/BTN-MANUAL RESET 10A W/SCREW TER
- 3 775775 BRKR, P/BTN-MANUAL RESET 7A W/SCREW TER
- 4 775759 BRKR, P/BTN-MANUAL RESET 20A W/SCREW TER
- 5 775783 BRKR, P/BTN-MANUAL RESET 15A W/SCREW TER
(COCKPIT REFRIGERATOR - 120V/60)
- 6 839969 BRKR, P/BTN-MANUAL RESET 25A W/SCREW TER
- 7 179671 PLUG, HOLE 3/8" BLK
- 8 1749795 PANEL, 420DB-04 BRKR LWR CNTRL STA
- 1788176 PANEL, BLANK:420DB-04 BRKR LWR CNTRL STA
- 9 775767 BRKR, P/BTN-MANUAL RESET 5A W/SCREW TER



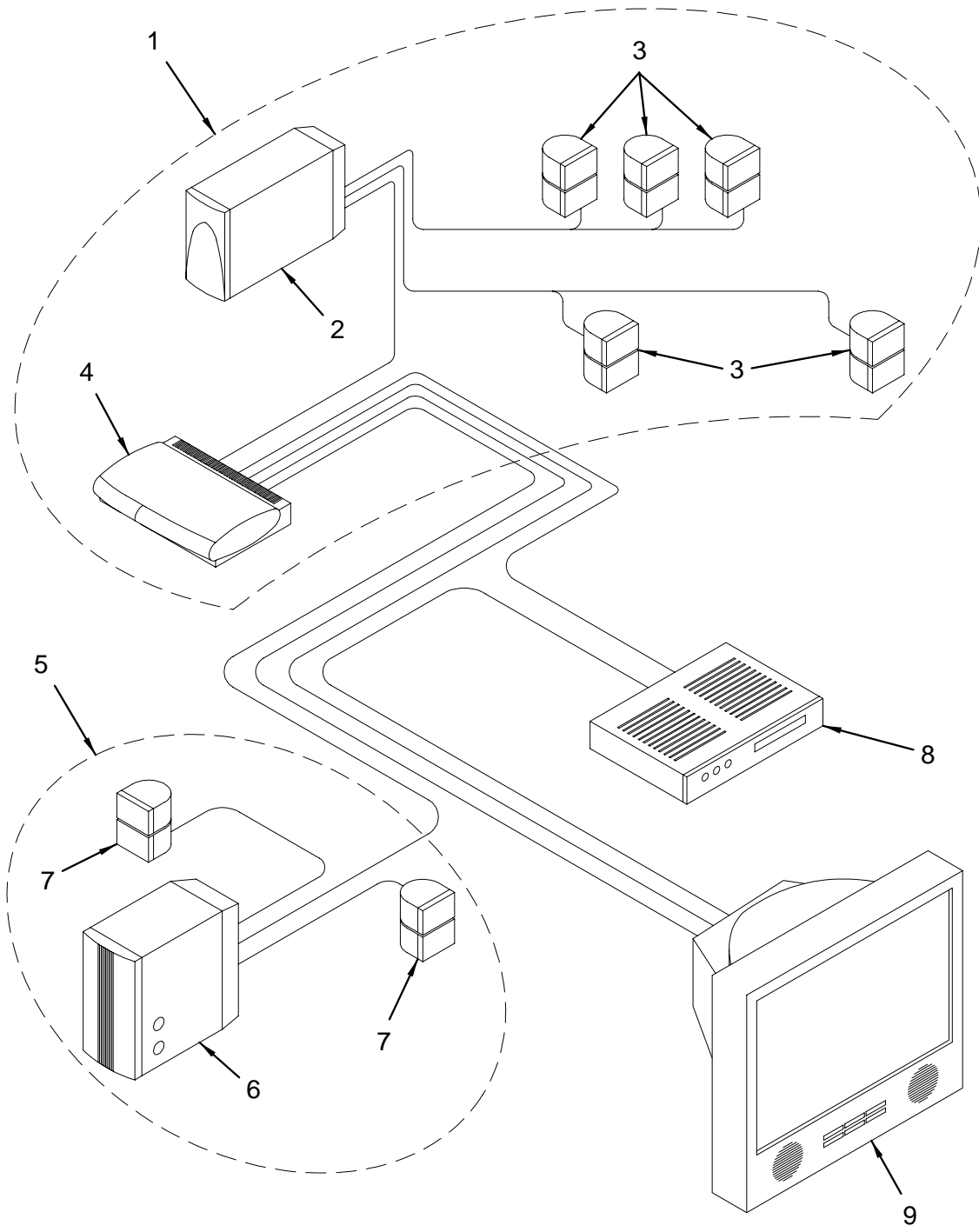
SATELLITE STEREO SYSTEM

- 1 1757933 ANTENNA, SHAKESPEARE SATELLITE RADIO ANTENNA (HULL#526->UP) (SIRIUS SATELLITE RADIO)
- 1762653 ANTENNA, SHAKESPEARE SATELLITE RADIO ANTENNA (HULL#502->525) (SIRIUS SATELLITE RADIO)
- 2 1751777 STEREO, AM/FM CD PLAYER W/CHNGR CNTRL SIR SAT
- 3 1768304 STEREO, SIRIUS SATELLITE RCVR SIRCL1-1YR (SIRIUS SATELLITE RADIO)
- 4 1772076 EXTENSION, CABLE 25'/10' FM RECEIVER W/CONN (SIRIUS SATELLITE RADIO)
- 5 1733835 STEREO, CD CHANGER 6-DISC DCZ625 C-NET
- 1122357 STEREO, CD (6 DISC) MAGAZINE CLARION

NOT SHOWN

- 1766168 DECAL, SIRIUS IT'S ON (SIRIUS SATELLITE RADIO)

BOSE STEREO SYSTEM



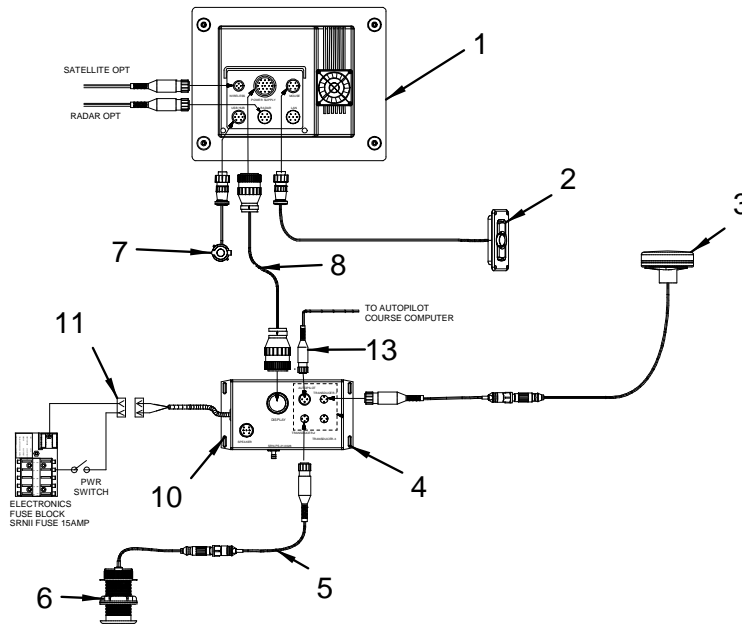
BOSE STEREO SYSTEM

- 1 1689511 STEREO, LIFESTYLE 35 MUSIC SYS
(110 VOLT)
- 1734037 SPEAKER, REFER TO MRP #1227586
- 1734038 DVD, CD/DVD PLAYER LIFESTYLE 35
- 1734105 CABLE, AUDIO INPUT LIFESTYLE 35 MUSIC SYSTEM
- 1734108 STEREO, REMOTE CNTRL BOSE LIFESTYLE 35 SYSTEM
- 2 1734109 STEREO, LIFESTYLE 35 BASS MODULE BLK
- 3 1227586 STEREO, LIFESTYLE 20/30/35/50 CUBE SPKR
- 917617 SPEAKER, WALL MNT BRACKET BLK
- 4 1787651 DVD, CD/DVD PLAYER LIFESTYLE 35 (SUPPART CHG)
- 5 1398569 SPEAKER, ACOUSTIMAS 5 SERIES BLK DUAL VOLTAGE
- 6 1423797 SPEAKER, ACOUSTIMAS 5 SERIES PWR 4 SUBWFR
- 7 1423771 SPEAKER, ACOUSTIMAS 5 SERIES 4 CUBE BLK 12
- 917617 SPEAKER, WALL MNT BRACKET BLK
- 8 1784875 DVD, ZENITH DVB412 DVD/CD PLAYER
- 1799569 REMOTE, ZENITH DVB412 DVD/CD PLAYER
- 1801047 DVD, DVD/VCR COMBO W/KAR MULTI-SYS ZONEFREE
(HULL#605->UP) (220V)
- 1757870 DVD, DVD/VCR COMBO 110/240 MULTI-SYS ZONEFREE
(HULL#501->602) (220V)
- 1806807 REMOTE, DVD/VCR COMBO 110/240 MULTI-SYS ZNFRE
(HULL#501->602) (220V)
- 1761365 DVD, CYBERHOME CH-DVD 300 PAL TUNER 120/240V
(220 VOLT OR 110V/60 - FOR INT'L ENTERTAINMENT EQUIPMENT)
- 1804866 REMOTE, CYBERHOME DVD/VCR COMBO
(220 VOLT OR 110V/60 - FOR INT'L ENTERTAINMENT EQUIPMENT)
- 9 1733836 TELEVISION, 20" ZENITH LCD
(110 VOLT)
- 1801843 REMOTE, TV 20"ZENITH LCD
(110 VOLT)
- 1798963 TELEVISION, 20" SHARP LCD LC20SH1E 220V
(HULL#538->UP) (220 VOLT / 50 CYCLE ELECTRICAL SYSTEM)
(110V/60 - FOR INT'L ENTERTAINMENT EQUIPMENT)
- 1806613 REMOTE, TV 20"SHARP LCD LC20SH1E 220V
(HULL#538->UP) (220 VOLT / 50 CYCLE ELECTRICAL SYSTEM)
(110V/60 - FOR INT'L ENTERTAINMENT EQUIPMENT)
- 1757867 TELEVISION, 20" SHARP LCD PANEL 220V
(REMOTE NOT SOLD SEPARATELY)
(HULL#508->532) (220 VOLT / 50 CYCLE ELECTRICAL SYSTEM)
(110V/60 - FOR INT'L ENTERTAINMENT EQUIPMENT)
- 1767757 ADAPTER, UK TO US
(110V/60 - FOR INT'L ENTERTAINMENT EQUIPMENT)
- 637058 CONN, COAX EURO TV ADAPTER "F" TYPE
(110V/60 - FOR INT'L ENTERTAINMENT EQUIPMENT)
- 677047 ADAPTER, EURO TV
(110V/60 - FOR INT'L ENTERTAINMENT EQUIPMENT)

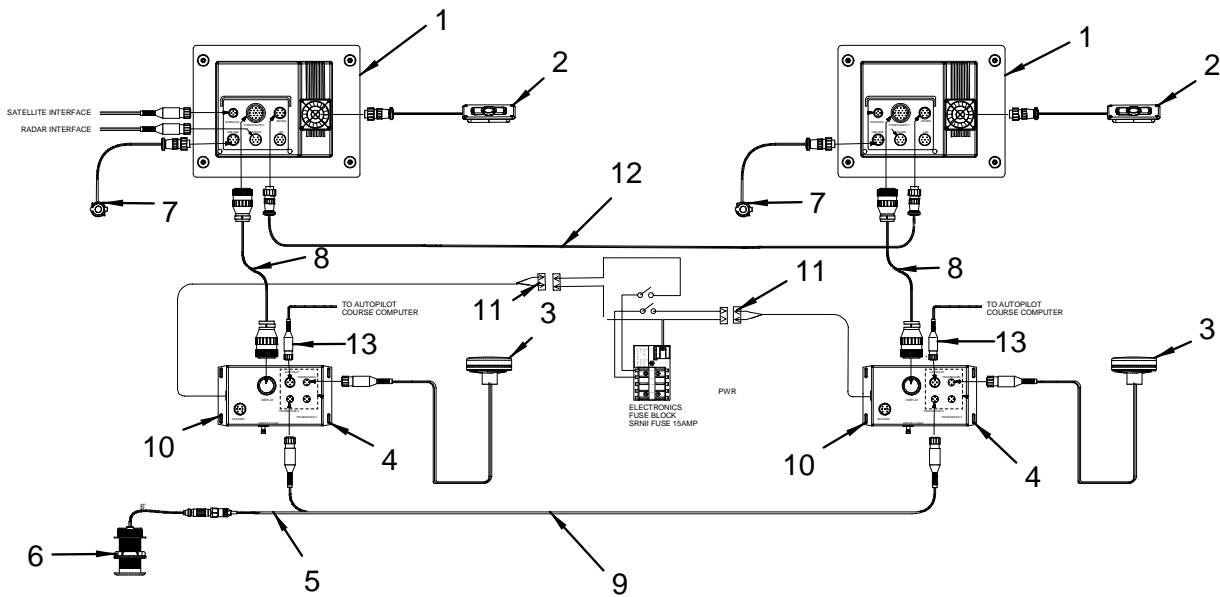
NOT SHOWN

- 1787507 RECEPTACLE, DUPLEX BRN 15A LVT
(HULL#532->UP)
- 145094 RECEPTACLE, DUPLEX BRN 15A
(HULL#502->531)
- 1787508 COVER PLATE, SGL DUPLEX RECEPT BRN LVT
(HULL#549->UP)
- 145078 COVER PLATE, SGL DUPLEX RECEPT BRN
(HULL#501->548)
- 1787551 RECEPTACLE, GERMAN STD MOS WHT(SNAP CVR) LVT
(HULL#565->UP) (220VOLT)
- 1477496 RECEPTACLE, GERMAN STD MOSAIC WHT(SNAPON CVR)
(HULL#501->538) (220 VOLT)
- 1477504 FRAME, US STYLE (MOSAIC) (SNAPON COVER)
(HULL#501->538) (220 VOLT)
- 180463 BOX, RECEPTACLE HANDY DUPLEX METAL
- 192492 CONN, ROMEX PLAS 1/2"
- 1750878 CABLE, RCA AUDIO 20' W/EFX-2 CONN W/NOISE SUP
- 1497510 CABLE, 50' EXT FOR AM5PIV/B
- 1607399 CABLE, BOSE OPT 6'
- 449587 BATTERY, AA 1.5V
- 731182 CABLE, RCA AUDIO "Y" (1-FM/ 2-M)

SEA RAY NAVIGATOR INTERCONNECT DIAGRAM



ADDITIONAL SEA RAY NAVIGATOR WITH RADAR OVERLAY



SEA RAY NAVIGATOR INTERCONNECT DIAGRAM

- 1 1757377 NAVIGATOR, SRNII MODEL 12.1 COMPUTER
1795127 COVER, PLAS PROTECTIVE SRNII NAVIGATOR
- 2 1783896 NAVIGATOR, SRNII MOUSE REMOTE CNTRL REV II
(HULL#556->UP) (SEA RAY NAVIGATOR II 12.1)
1763058 NAVIGATOR, SRNII MOUSE REMOTE CNTRL
(HULL#502->543) (SEA RAY NAVIGATOR II 12.1)
- 3 1757383 NAVIGATOR, SRNII GPS ANTENNA NMEA
- 4 1758689 NAVIGATOR, SRNII PWR SUPPLY
- 5 1757380 HARNESS, TRANSDUCER DEPTH/TEMP 60' SRN2
- 6 1757382 NAVIGATOR, SRNII TRANSDUCR DEPTH/TEMP W/PT NY
1772045 DEPTH FINDER, DIGITAL SOUNDR MODL HSB2/DSM250
(RAYMARINE DSM250 FISH FINDER)
1795498 HARNESS, TRANSDUCER EXT 3M FOR DSM250
(RAYMARINE DSM250 FISH FINDER)
1795499 TRANSDUCER, DEPTH/TEMP FOR DSM250 FISHFINDER
(HULL#545->UP) (RAYMARINE DSM250 FISH FINDER)
- 1782094 TRANSDUCER, DEPTH FOR DSM250 FISHFINDER NYLON
(HULL#509->544) (RAYMARINE DSM250 FISH FINDER)
- 731034 FUSE, BLADE TYPE CLOSED 5A
(RAYMARINE DSM250 FISH FINDER)
- 1795128 DEPTH FINDER, NRTHSTR 491FF MODULE
(NORTHSTAR 491 FISHFINDER (ONLY W/ 6000I))
- 1795144 HARNESS, NRTHSTR 491FF PWR CBL 6FTOI
(NORTHSTAR 491 FISHFINDER (ONLY W/ 6000I))
- 1795145 HARNESS, NRTHSTR 491FF TO 6000I CBL 10FT
(NORTHSTAR 491 FISHFINDER (ONLY W/ 6000I))
- 1795135 TRANSDUCER, NRTHSTR 491FF DEP/TEMP W/6'PGTAIL
(NORTHSTAR 491 FISHFINDER (ONLY W/ 6000I))
- 7 1776486 RECEPTACLE, SRN II USB SOCKET W/CONN
- 8 1757385 NAVIGATOR, SRNII CBL DISPLAY PWR/DATA
- 9 1772621 HARNESS, SRNII TRANSDUCER Y CABLE
(ADDITIONAL SEA RAY NAV II W/ RADAR OVERLAY)
- 10 1767034 BOOT, DEUTSCH DTP 2-POS MALE
(HULL#502->530)
- 11 1408376 PLUG KIT, DEUTSCH DTP06-2S PLUG W/SOCKET
(HULL#502->530)
1717517 PLUG KIT, DEUTSCH F/C 10-12AWG SCKT
(HULL#502->530)
- 1767034 BOOT, DEUTSCH DTP 2-POS MALE
(HULL#502->530)
- 1408400 PLUG KIT, DEUTSCH SEC LOCK SCKT 2-POS
(HULL#502->530)
- 12 1772696 HARNESS, SRNII LAN CABLE
(ADDITIONAL SEA RAY NAV II W/ RADAR OVERLAY)
- 13 1766896 NAVIGATOR, SRNII CBL AUTOPILOT

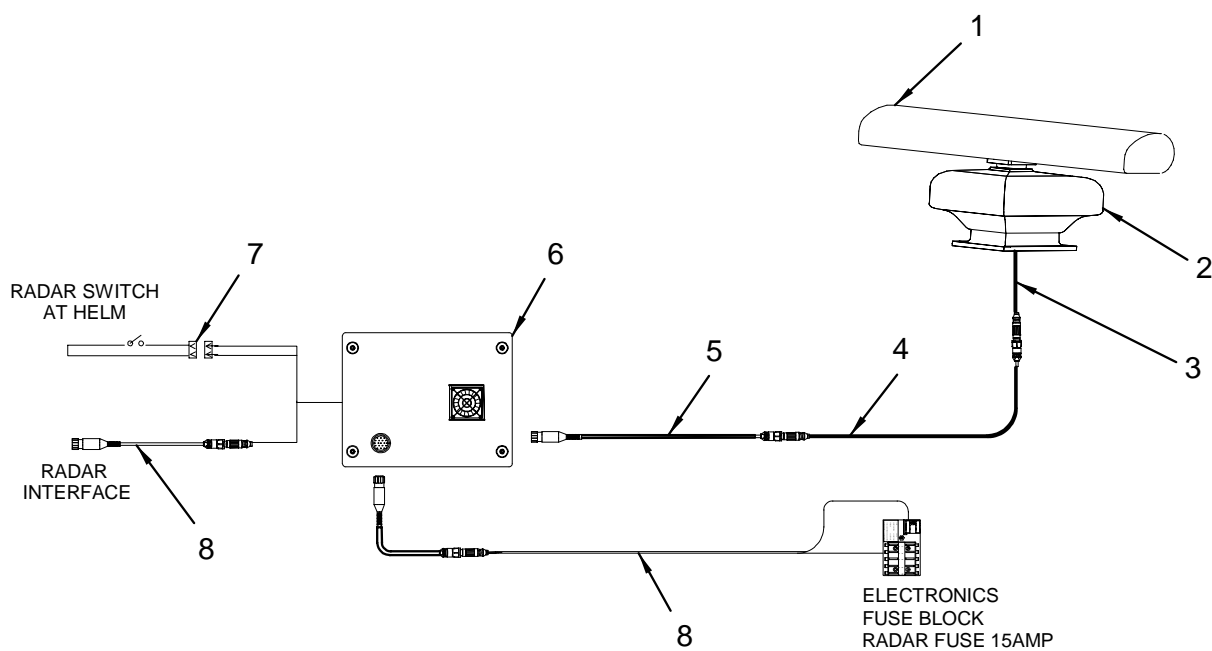
LABELS

- 1764499 LABEL, SEA RAY NAV USB PORT

NOT SHOWN

- 1691481 HARNESS, ENG MERC S-CRFT SC100 EXT 3'
- 1757378 MANUAL, OWNERS SRN2 SOFTWARE-DATA-NOTEBOOK KB
(LOCATED IN OWNER'S PACKET)
- 731018 FUSE, BLADE TYPE CLOSED 15A
- 1795137 HARNESS, NRTHSTR 491FF TRANS DPTH/TMP 60'
(NORTHSTAR 491 FISHFINDER (ONLY W/ 6000I))
- 265983 FUSE, BLADE TYPE ATO 10A
(NORTHSTAR 491 FISHFINDER (ONLY W/ 6000I))

SEA RAY NAVIGATOR II WITH RADAR OVERLAY



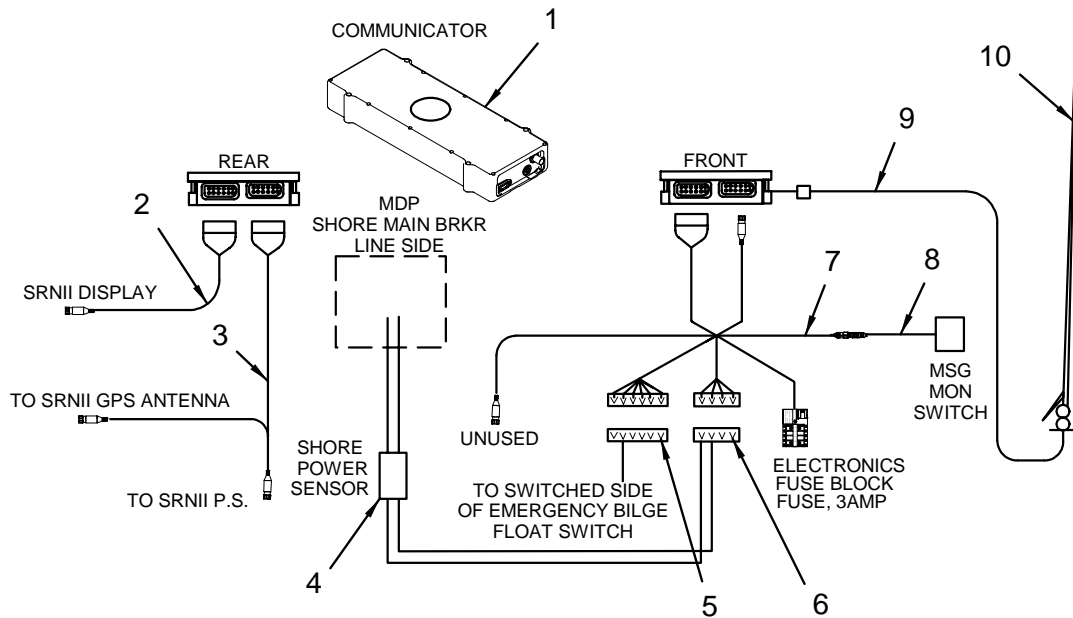
SEA RAY NAVIGATOR II WITH RADAR OVERLAY

- 1 1772611 NAVIGATOR, SRNII RADAR 4KW 3.5FT ARRAY
- 2 1772610 NAVIGATOR, SRNII RADAR PEDSTAL
- 3 1772612 HARNESS, RADAR PIGTAIL 1' NRTHSTR
- 4 1770985 HARNESS, RADAR CBL EXT 15' NRTHSTR 6000I
- 5 1770981 HARNESS, RADAR CBL 20' NRTHSTR 6000I
- 6 1772609 NAVIGATOR, SRNII RADAR PWR CABLE
- 7 1741427 PLUG KIT, DEUTSCH S/F 20AWG SCKT
- 1773030 PLUG KIT, DEUTSCH DTM06-2S PLUG W/SCKT
- 1773043 PLUG KIT, DEUTSCH SEC LOCK DTM06-2S
- 8 1760323 RADAR, CABLE CONNECTOR KIT MAPTECH OPEN ARRAY

NOT SHOWN

- 1772608 NAVIGATOR, SRNII RADAR JUNCTION BOX

SEA RAY NAVIGATOR II - SATELLITE



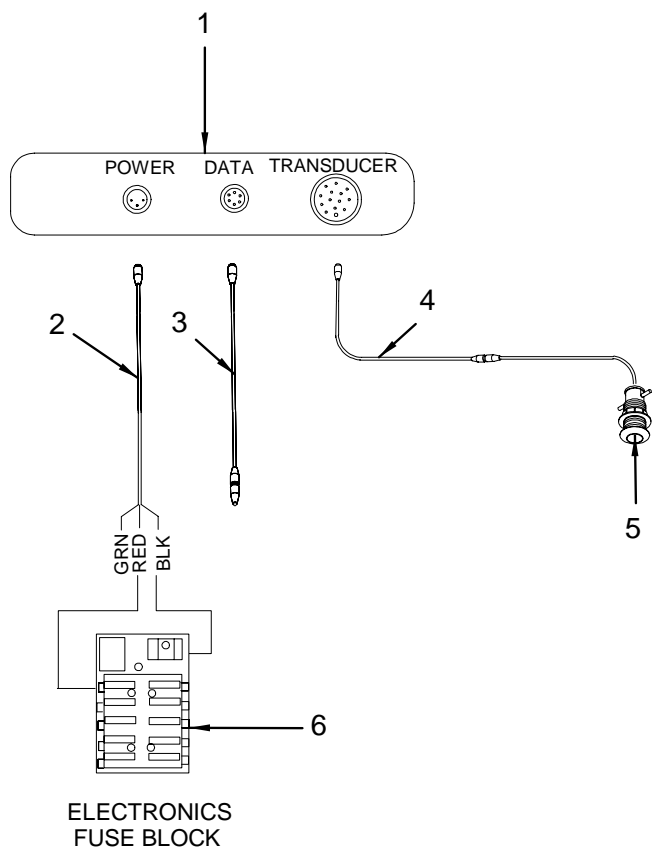
SEA RAY NAVIGATOR II - SATELLITE

- 1 1760316 NAVIGATOR, SR MDL SRNII SATELLITE COMMUNICATOR
- 2 1767400 NAVIGATOR, SRNII SATELLITE PWR DATA CABLE
- 3 1767402 NAVIGATOR, SRNII SATELLITE GPS INTRFACE CABLE
- 4 1767399 NAVIGATOR, SRNII SATELLITE SHORE PWR SENSOR
- 5 1741427 PLUG KIT, DEUTSCH S/F 20AWG SCKT
- 1773033 PLUG KIT, DEUTSCH DTM06-6S PLUG W/SCKT
- 1773049 PLUG KIT, DEUTSCH SEC LOCK DTM06-6S
- 6 1741427 PLUG KIT, DEUTSCH S/F 20AWG SCKT
- 1773032 PLUG KIT, DEUTSCH DTM06-4S PLUG W/SCKT
- 1773047 PLUG KIT, DEUTSCH SEC LOCK DTM06-4S
- 7 1774890 NAVIGATOR, SRNII SATELLITE WIRING HARNESS
- 8 1767401 NAVIGATOR, SRNII SATELLITE MODE SW W/CABLE
- 9 1688702 CONN, COUPLER TYPE-914 FEMALE TO FEMALE(GOLD)
- 184713 CABLE, COAXIAL RG-58/U
- 10 1274570 ANTENNA, 8' SHAKESPEARE 5225 GLXY W/CP CONN

NOT SHOWN

- 1757453 PLUG KIT, DEUTSCH SEAL PLUG
- 1760319 NAVIGATOR, SRNII SATELLITE SOFTWARE

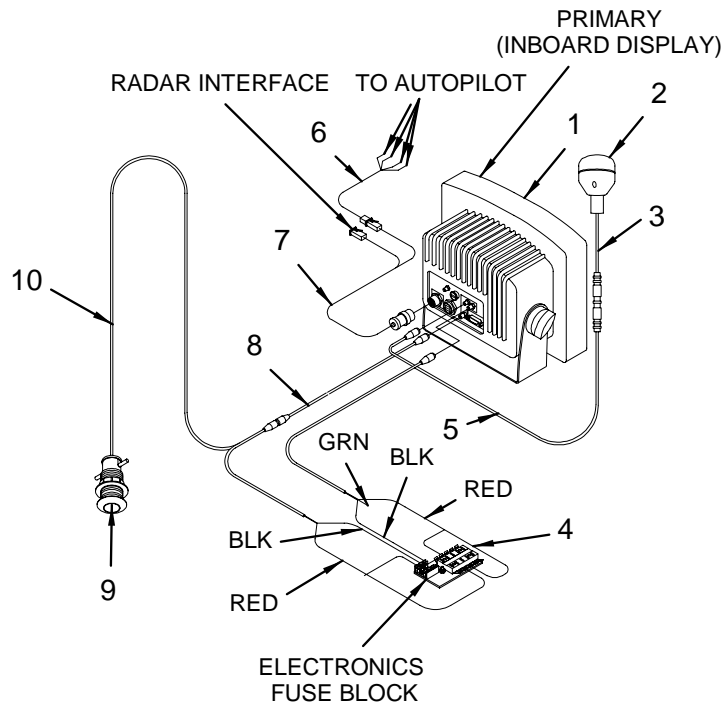
NORTHSTAR 6000I 491 FISHFINDER



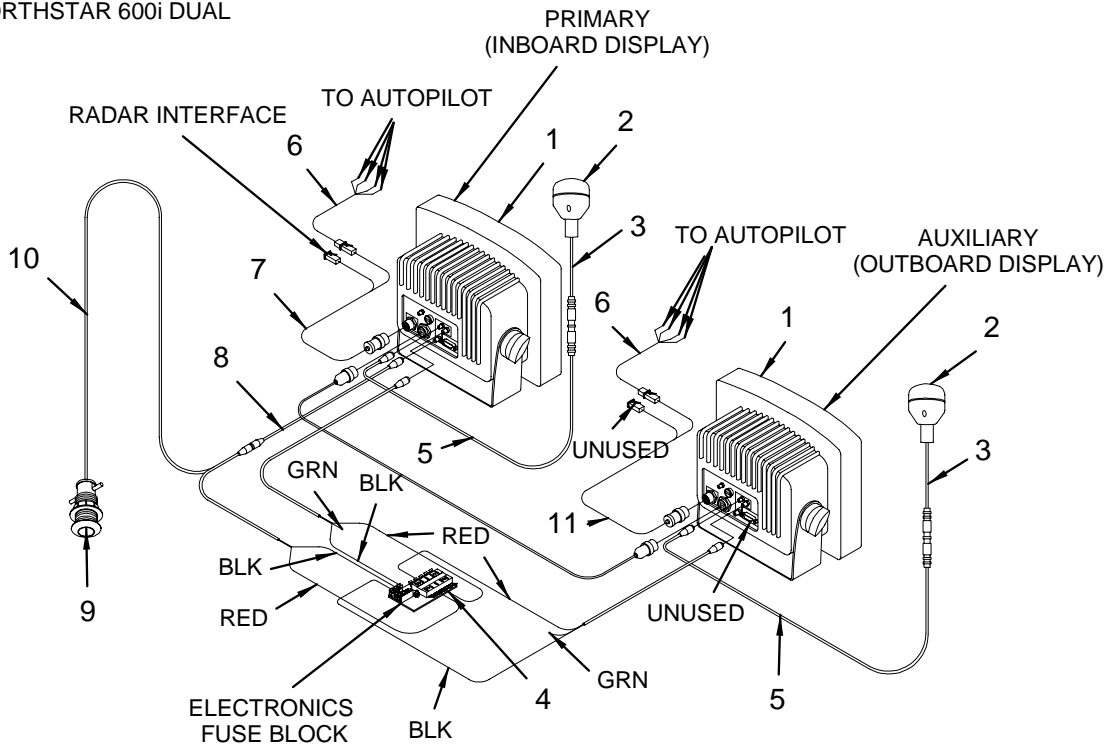
NORTHSTAR 6000I 491 FISHFINDER

- 1 1795128 DEPTH FINDER, NRTHSTR 491FF MODULE
- 2 1795144 HARNESS, NRTHSTR 491FF PWR CBL 6FT0I
- 3 1795145 HARNESS, NRTHSTR 491FF TO 6000I CBL 10FT
- 4 1795137 HARNESS, NRTHSTR 491FF TRANS DPTH/TMP 60'
- 5 1795135 TRANSDUCER, NRTHSTR 491FF DEP/TEMP W/6'PGTAIL
- 6 265983 FUSE, BLADE TYPE ATO 10A

NORTHSTAR 6000I NAVIGATION



NORTHSTAR 600i DUAL



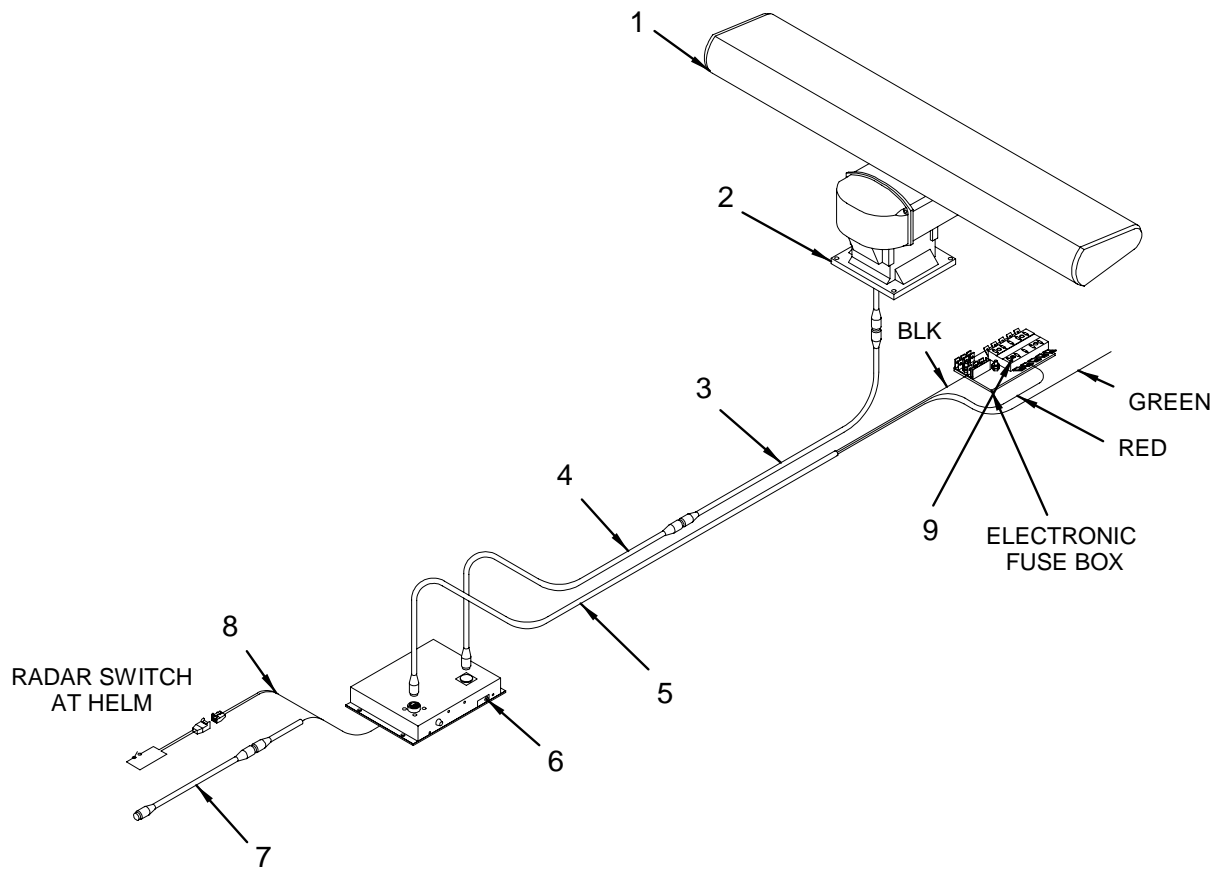
NORTHSTAR 6000I NAVIGATION

- 1 1770322 NAVIGATION DISPLAY, NRTHSTR 6000I 10.4"
- 2 1770976 NAVIGATOR, NRTHSTR 6000I GPS ANTENNA
- 3 1770975 HARNESS, GPS CBL EXT 15' NRTHSTR 6000I
- 4 265983 FUSE, BLADE TYPE ATO 10A
- 706721 FUSE, BLADE TYPE ATC 1A
- 5 1770974 HARNESS, GPS CBL 20' NRTHSTR 6000I
- 6 1795140 HARNESS, NRTHSTR 6000I NMEA I/O CBL
- 7 1770972 HARNESS, NRTHSTR 6000I RADAR INTERFACE CBL
- 8 1795162 HARNESS, PIGTAIL 5'SRN II XDUCR TO 6000I
- 9 1757382 NAVIGATOR, SRNII TRANSDUCR DEPTH/TEMP W/PT NY
- 10 1757380 HARNESS, TRANSDUCER DEPTH/TEMP 60' SRN2
- 11 1770992 HARNESS, ETHERNET CBL KIT 6' NRTHSTR 6000I

NOT SHOWN

- 1770969 NAVIGATOR, NRTHSTR 6000I 10.4" CMPLT PKG
- 1770970 NAVIGATOR, NRTHSTR 6000I INSTALL KIT 10.4"
- 1770973 HARNESS, POWER CBL KIT NRTHSTR 6000I
- 1770977 NAVIGATOR, NRTHSTR FLUSH MNT KNOB

NORTHSTAR 6000I 4KW OPEN ARRAY RADAR



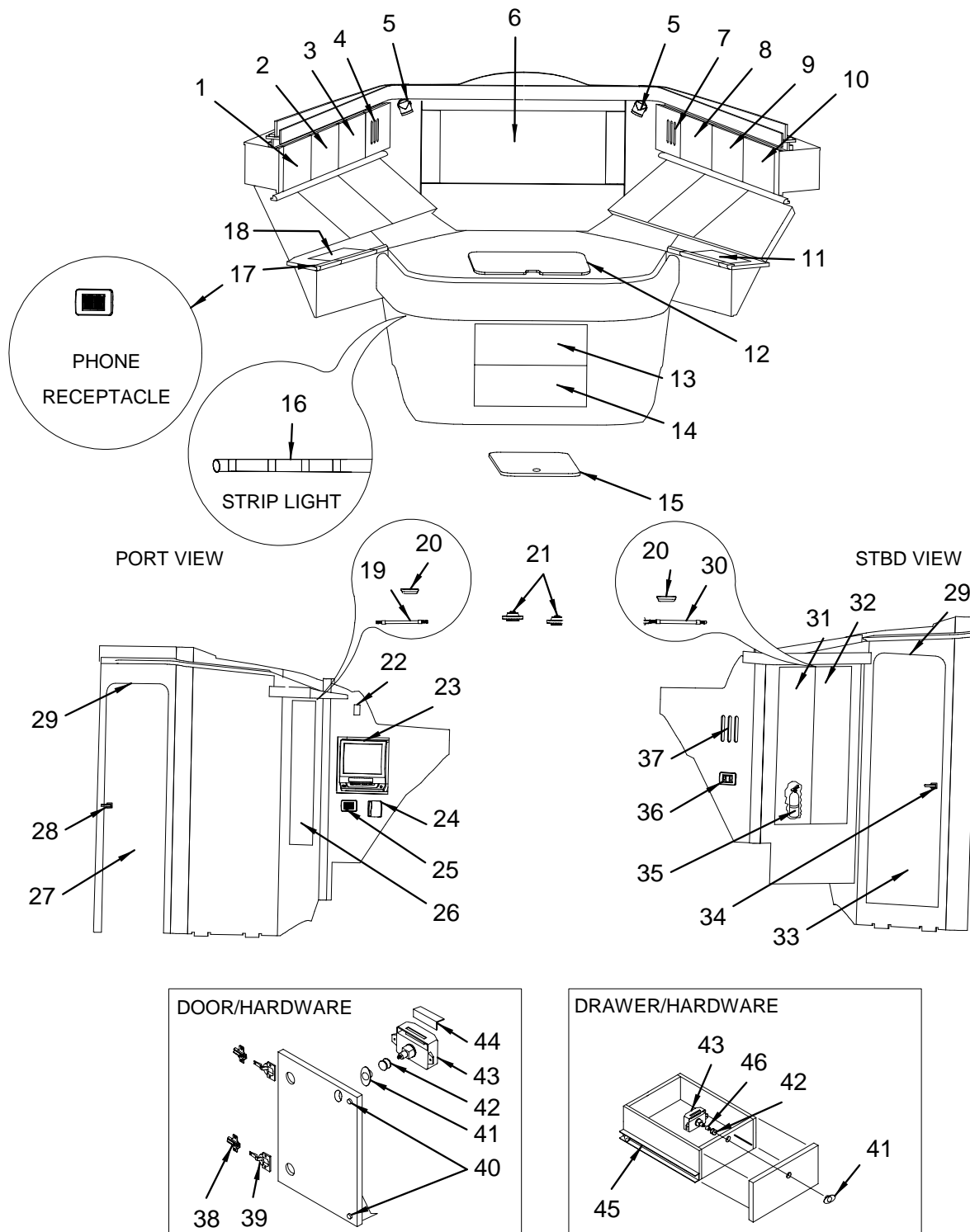
NORTHSTAR 6000I 4KW OPEN ARRAY RADAR

- 1 1770988 RADAR, NRTHSTR 6000I 3.5' ARRAY
- 2 1770987 RADAR, NRTHSTR 6000I PEDESTAL W/1' PIGTAIL
- 3 1770985 HARNESS, RADAR CBL EXT 15' NRTHSTR 6000I
- 4 1770981 HARNESS, RADAR CBL 20' NRTHSTR 6000I
- 5 1770979 HARNESS, RADAR PWR CBL 6' NRTHSTR 6000I
- 6 1770986 BOX, JUNCTION NRTHSTR 6000I RADAR
- 7 1795142 HARNESS, RADAR/NRTHSTR 6000I INTFACE CBL
- 8 1773030 PLUG KIT, DEUTSCH DTM06-2S PLUG W/SCKT
- 1773043 PLUG KIT, DEUTSCH SEC LOCK DTM06-2S
- 1741427 PLUG KIT, DEUTSCH S/F 20AWG SCKT
- 9 265983 FUSE, BLADE TYPE ATO 10A

NOT SHOWN

- 1770978 RADAR, NRTHSTR 6000I 4KW CMLPT PKG

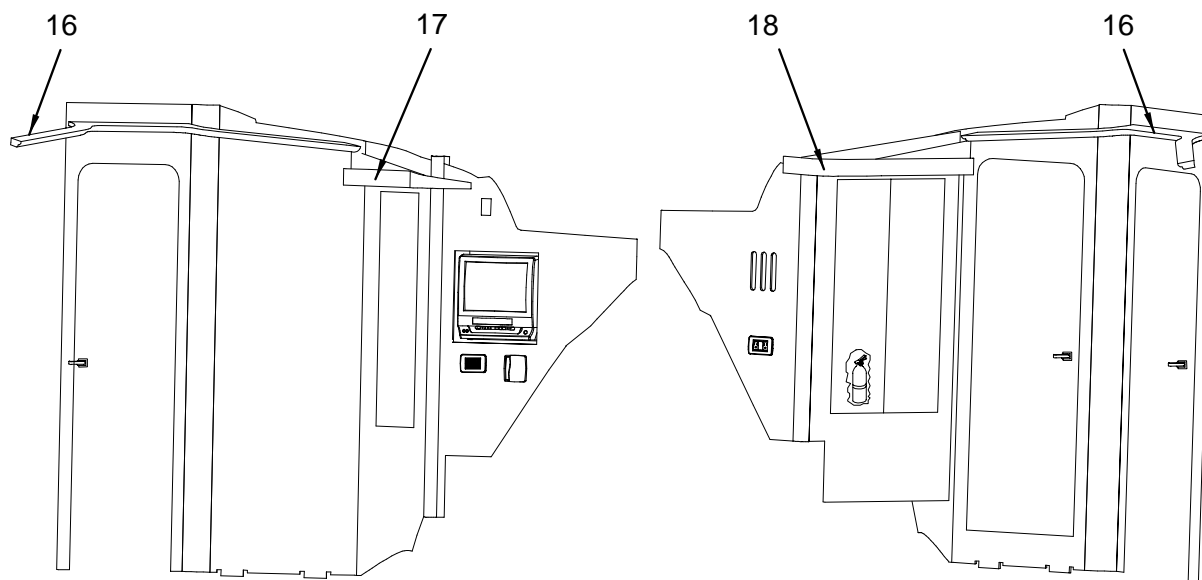
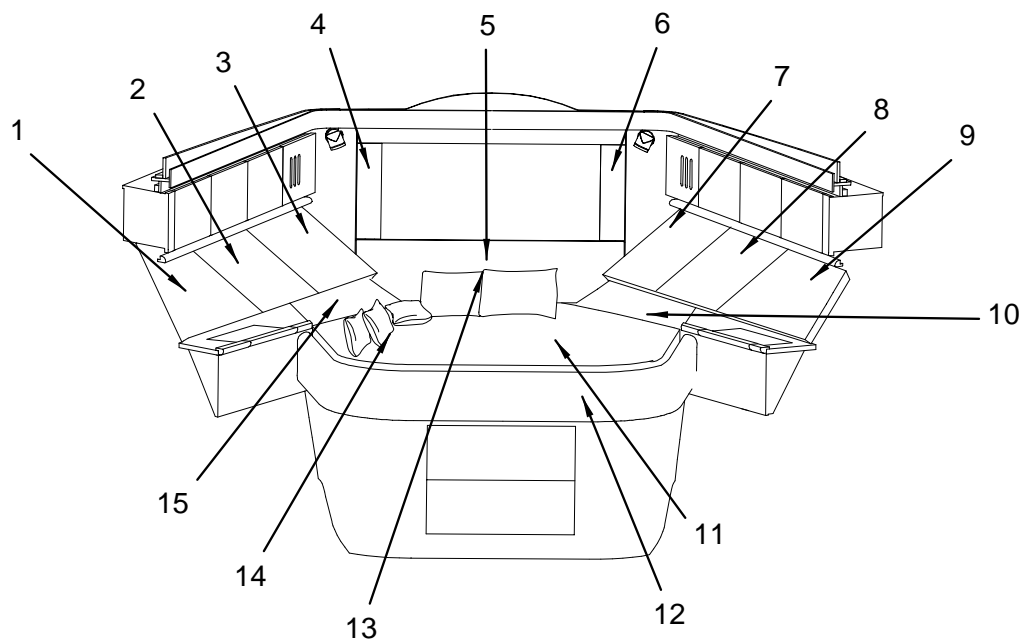
FORWARD STATEROOM



FORWARD STATEROOM

1	1775640	420DB 05,DOOR,FWDSTRM UPR PRT AFT	25	180463	BOX, RECEPTACLE HANDY DUPLEX METAL
2	1775641	420DB 05,DOOR,FWDSTRM UPR PRT CTR	26	1775656	420DB 05,DOOR,PRT LCKR FWDSTRM
3	1775642	420DB 05,DOOR,FWDSTRM UPR PRT FWD		1762537	CATCH, GRABBER LATCH W/ 3LB HOLD W/ELEC SWT
4	1775643	420DB 05,DOOR INSERT,SPKR FWDSTRM PRT		1281054	(HULL#542->UP)
	1690557	SPEAKER, COAXIAL 6.5" N/CVR			CATCH, GRABBER LATCH W/10LB HOLD W/ELEC SW
	1398569	SPEAKER, ACOUSTIMAS 5 SERIES BLK DUAL VOLTAGE			(HULL#501->541)
	1423771	(BOSE LS35/DVD ACCOUSTIMAS FWD STRM-120V/60)	27	1775655	420DB 05,DOOR,ENTR FWD STRM
	1423797	SPEAKER, ACOUSTIMAS 5 SERIES 4 CUBE BLK 12		132324	HINGE, BUTT CHROME/ZINC 2"
		(BOSE LS35/DVD ACCOUSTIMAS FWD STRM-120V/60)		863225	PLATE, STRIKER MOBELLA (WIDE)
	917617	SPEAKER, ACOUSTIMAS 5 SERIES PWR 4 SUBWFR		1452820	HOOK, CLOTHES HOOK SURFACE MT
		(BOSE LS35/DVD ACCOUSTIMAS FWD STRM-120V/60)		893875	LATCH, DOOR HLDR W/CUSH CHR 2 9/16"
	5	SPEAKER, WALL MNT BRACKET BLK		1286178	CAP, CUSHION TIP FOR DOOR STOP
	1742141	(BOSE LS35/DVD ACCOUSTIMAS FWD STRM-120V/60)		930370	BRACKET, ALUM 1/4"X 4" DOOR SECURING
	1448463	LIGHT, SAMPEI HALOGEN W/SW 12V/10W SAT/NCKL	28	1751067	LATCH, NOVA LH-IN PRVKNB SAT/CHR HIDSCLR
	1448463	BULB, XENON 12V/10W	29	823070	OAK, DOOR FRAME PART-A RIGHT
	6	MIRROR, 1/8"X 17.75"X 37.0" CLR		823088	OAK, DOOR FRAME PART-A LEFT
	1750428	420DB 05,DOOR INSERT,SPKR FWDSTRM STB		823096	OAK, DOOR FRAME PART-B RIGHT
	1690557	SPEAKER, COAXIAL 6.5" N/CVR		823104	OAK, DOOR FRAME PART-B LEFT
	1398569	SPEAKER, ACOUSTIMAS 5 SERIES BLK DUAL VOLTAGE	30	574988	BAR, HANGING ROD (CLOTHES) ALUM 26"
		(BOSE LS35/DVD ACCOUSTIMAS FWD STRM-120V/60)	31	1775657	420DB 05,DOOR,STB AFT LCKR FWDSTRM
	1423771	SPEAKER, ACOUSTIMAS 5 SERIES 4 CUBE BLK 12	32	1775742	420DB 05,DOOR,STB AFT LCKR FWDSTRM
		(BOSE LS35/DVD ACCOUSTIMAS FWD STRM-120V/60)		1762537	CATCH, GRABBER LATCH W/ 3LB HOLD W/ELEC SWT
	1423797	SPEAKER, ACOUSTIMAS 5 SERIES PWR 4 SUBWFR			(HULL#542->UP)
		(BOSE LS35/DVD ACCOUSTIMAS FWD STRM-120V/60)			CATCH, GRABBER LATCH W/10LB HOLD W/ELEC SW
	917617	SPEAKER, WALL MNT BRACKET BLK			(HULL#501->541)
		(BOSE LS35/DVD ACCOUSTIMAS FWD STRM-120V/60)	33	1775619	420DB 05,DOOR,ENTRY STBHD CHERRY
8	1775645	420DB 05,DOOR,FWDSTRM UPR STB FWD		863225	PLATE, STRIKER MOBELLA (WIDE)
9	1775646	420DB 05,DOOR,FWDSTRM UPR STB CTR		1687224	MIRROR, 1/8"X 60"X 12" CLEAR P/E
10	1775653	420DB 05,DOOR,FWDSTRM UPR STB AFT		930370	BRACKET, ALUM 1/4"X 4" DOOR SECURING
11	1775647	420DB 05,DOOR,FWDSTRM LWR STB	34	1751065	LATCH, NOVA LH-OUT PRVKNB SAT/CHR HIDSCLR
12	1775648	420DB 05,HATCH,BNKBASE STRG FWDSTRM		863225	PLATE, STRIKER MOBELLA (WIDE)
13	1775649	420DB 05,DRWRFC,BUNK FWDSTRM UPR	35	1779371	FIRE EXT, DRY CHEM HAND-HELD 1A 10BC 2.5LB
	1478155	DRAWER, MAPLE 21 7/8"X 16"X 7"			(WATER DELIVERY - INCLUDES SAFETY PKG & FUEL)
14	1775650	420DB 05,DRWRFC,BUNK FWDSTRM LWR	36	1741009	COVER PLATE, IDEA-SERIES 2OR3-GANG NKL RONDO
	1478155	DRAWER, MAPLE 21 7/8"X 16"X 7"		893289	FRAME, IDEA-SERIES 3-GANG SUPPORT FRAME GREY
15	1775651	420DB 05,HATCH,FLR FWDSTRM		893222	RECEPTACLE, IDEA-SERIES SGL GRY
	140111	LIFT HANDLE, HATCH LIFT BOLT W/RING 3"		902064	RECEPTACLE, SGL GERMAN STD GREY
16	137919	LIGHT, STRIP TAC 36"		893263	(220V)
17	1741008	COVER PLATE, IDEA-SERIES 1-GANG NKL RONDO		975011	SWITCH, BLANK IDEA-SERIES GREY
	893255	INLET, IDEA-SERIES PHONE GRY			SWITCH, BLANK IDEA-SERIES WHT
	952010	FRAME, IDEA-SERIES 1-GANG SUPPORT W/RIBS			(220V)
	627737	BOX, RECEPTACLE/SWITCH PVC 1-GANG DEEP	37	1776977	180463
18	1775652	420DB 05,DOOR,FWDSTRM LWR PRT		123554	BOX, RECEPTACLE HANDY DUPLEX METAL
19	1195320	BAR, HANGING ROD (CLOTHES) ALUM 15"		123554	A/C COMP, PLENUM W/5"LFT/4"RT 6"X 10" W/INSUL
20	822668	LIGHT, SGL DOME FLUSH MT PLAS WHT W/O SWITCH		123562	CLAMP, HOSE #64 2 5/8"-4.5" SS
	604801	BULB, DOME LIGHT 12V		123570	CLAMP, HOSE #72 3 1/8"-5" SS
21	1742138	LIGHT, DAVID-EYEBALL SAT/NCKL RING/FRST LENS	38	1689249	CLAMP, HOSE #88 4.25"-6" SS
	1448463	BULB, XENON 12V/10W			HINGE, CONCEALED FULL OVERLAY MT PLT CLIP .01
22	1781228	MONITOR, CO DETECTOR WHT CMD-4		1689250	(HANGLOCKER/GUNWALE CABINET)
		(HULL#519->UP)			HINGE, CONCEALED PART OVERLAY MT PLATE SALICE
	1433713	MONITOR, CO DETECTOR GRY		1689247	(VANITY CABINET)
		(HULL#501->518)			HINGE, CONCEALED FULL OVERLAY W/100DEG ANGLE
	1782156	PLATE, CO MONITOR BACKING WHT (CMD-4)		1689248	(GUNWALE CABINET)
		(HULL#519->UP)			HINGE, SELF CLOSING 3MM CLIP-ON
	1446699	PLATE, CO MONITOR BACKING GREY			(HANGLOCKER/VANITY CABINET)
		(HULL#501->518)	40	558031	BUMPER, CLEAR SMALL ROUND
23	1800633	TELEVISION, 13" TOSHIBA DVD COMBO W/JPEG VIEW	41	1742137	PULL, ROSETTE SAT/NCKL OVAL 19MM
	1752518	TELEVISION, 13" TOSHIBA DVD COMBO	42	1742136	PULL, PUSH-BUTTON KNOB SAT/NCKL
		(HULL#581->UP)	43	772418	CATCH, RIM-LOCK WHT
		(HULL#502->580)	44	761445	CATCH, RIM-LOCK STRIKE PLATE
	1799845	REMOTE, TV 13" TOSHIBA DVD COMBO	45	1727149	DRAWER SLIDE, ROLLER METAL 16" ALFIT 1702
	1757869	TELEVISION, 13" SHARP BOTTOM SPEAKER	46	1123165	LATCH, 12MM BRASS SHAFT EXTENSION
		(220V) (REMOTE NOT AVAILABLE AT THIS TIME)	LABELS		
	1761365	DVD, CYBERHOME CH-DVD 300 PAL TUNER 120/240V		1743508	LABEL, 7/16"X 7/8" STATEROOM
		(220V)		1746897	LABEL, 7/16"X 7/8" INDIRECT
	1804866	REMOTE, CYBERHOME DVD/VCR COMBO		1751880	LABEL, 7/16"X 7/8" VALANCE
		(220V)	NOT SHOWN		
	1787508	COVER PLATE, SGL DUPLEX RECEPT BRN LVT		1454040	LABEL, SEW-IN "FWD STRM-FWD"
		(HULL#549->UP)		1577725	GROMMET, PLAS FLANGE/INSERT 3/4" BLK
	145078	COVER PLATE, SGL DUPLEX RECEPT BRN		174714	CLIP, MIRROR 1/8"
		(HULL#501->548)		186239	BRACKET, ALUM 1.5"X 1.5"X 3"
	975029	COVER PLATE, IDEA-SERIES 3-GANG WHT		188391	CLIP, XMAS TREE
		(220V)			
	1787507	RECEPTACLE, DUPLEX BRN 15A LVT			
		(HULL#532->UP)			
	145094	RECEPTACLE, DUPLEX BRN 15A			
		(HULL#502->531)			
	180463	BOX, RECEPTACLE HANDY DUPLEX METAL			
24	1604271	A/C COMP, DISPLAY ECU BLK W/3/4" DOOR			
	1055821	A/C COMP, FACE PLATE FOR CONTROL BLK			
25	1741009	COVER PLATE, IDEA-SERIES 2OR3-GANG NKL RONDO			
	893289	FRAME, IDEA-SERIES 3-GANG SUPPORT FRAME GREY			
	893230	SWITCH, IDEA-SERIES SPST GREY			

FORWARD STATEROOM (UPHOLSTERY)



PORT SIDE

STBD SIDE

FORWARD STATEROOM (UPHOLSTERY)

1	1775745	420DB 05,BLSTR,HULL PRT AFT FWDSTRM
	1741712	FOAM, P/C 420DB-04 FWDSTRM HULL BLSTR (2PC)
2	1775746	420DB 05,BLSTR,HULL PRT CTR FWDSTRM
	1741712	FOAM, P/C 420DB-04 FWDSTRM HULL BLSTR (2PC)
3	1775747	420DB 05,BLSTR,HULL PRT FWD FWDSTRM
	1741712	FOAM, P/C 420DB-04 FWDSTRM HULL BLSTR (2PC)
4	1775748	420DB 05,PNL,R/L MIRR COLUMN PRT FWDSTRM
5	1775754	420DB 05,BLSTR,BUNK FWDSTRM
6	1775749	420DB 05,PNL,R/L MIRR COLUMN STB FWDSTRM
7	1775750	420DB 05,BLSTR,HULL STB FWD FWDSTRM
	1741712	FOAM, P/C 420DB-04 FWDSTRM HULL BLSTR (2PC)
8	1775751	420DB 05,BLSTR,HULL STB CTR FWDSTRM
	1741712	FOAM, P/C 420DB-04 FWDSTRM HULL BLSTR (2PC)
9	1775752	420DB 05,BLSTR,HULL STB AFT FWDSTRM
	1741712	FOAM, P/C 420DB-04 FWDSTRM HULL BLSTR (2PC)
10	1775753	420DB 05,BLSTR,HULL STB LWR FWDSTRM
11	1771852	QUILT KIT, 420DB-05 PKGA-VERSAILLE GOLD MSTRM
	1771865	QUILT KIT, 420DB-05 PKGB-WESTBAY ORNGLW MSTRM
	1771878	QUILT KIT, 420DB-05 PKGC-MF-DS1-00 MSTRM
	1771891	QUILT KIT, 420DB-05 PKGD-LENO #3 MSTRM
	1741708	MATTRESS, 420DB-04 INR-SPRNG FWDSTRM HNGD
12	1775754	420DB 05,BLSTR,BUNK FWDSTRM
	1742101	FOAM, P/C 420DB-04 FWDSTRM BUNK BLSTR
13	651257	PILLOW, QUEEN SIZE
14	1774223	PILLOW PKG, 2005 SPYACHT PKGA MSTRM (2)
	1774230	PILLOW PKG, 2005 SPYACHT PKGB MSTRM (2)
	1774239	PILLOW PKG, 2005 SPYACHT PKGC MSTRM (2)
	1774261	PILLOW PKG, 2005 SPYACHT PKGD MSTRM (2)
15	1788265	420DB 05,BLSTR,HULL PRT LWR FWDSTRM
16	1775654	420DB 05,VAL,ENTRY DOOR FWDSTRM
17	1775744	420DB 05,VAL,PRT LIGHT FWDSTRM
18	1775743	420DB 05,VAL,STB LIGHT FWDSTRM

BED SHEETING

593517 SHEETING, SHEET MATERIAL 200CT 91.5"

BOLSTER MATERIAL

1442466 FABRIC, ULTRASUEDE RIVIERA CHAMOIS 3927 FLAT

CARPET

1467174 CARPET, INT 44 OZ WHEATON 12"W 100% BCF BT
(INT PKG A, B, D)
1467158 CARPET, INT 44 OZ SNOW 12"W 100% BCF BT
(INT PKG C)
1468164 CARPET, INT 44 OZ WHEATON 12"W 100% BCF KB
(INT PKG A, B, D)
1468172 CARPET, INT 44 OZ SNOW 12"W 100% BCF KB
(INT PKG C)

CARPET RUNNER

1742629 CANVAS, 420DB-04 CARPET RUNNER STD TST
1248244 BINDING, CANVAS 1.25" TOAST BIAS SUNBRELLA

FABRICS

1772491 FABRIC, RAFFIA SMALL WEAVE BLOND FLAT
(INT PKG A, C)
1770262 FABRIC, PREMIER CARMEL FLAT
(INT PKG B)
1180744 VINYL, ULTRALTHR PECAN 3778
(INT PKG D)
1228352 FABRIC, ULTRALEATHER MILKWEED #3455
(INTERIOR PACKAGE C UP-CHARGE)

HEADLINER/HULL LINER/WASHABLE SURFACE

1091743 VINYL, ALLANTE II CHAMPAGNE EXP 1/4"F/B DOW
(INT PKG A, B, D)
986810 VINYL, ALLANTE II SEA OYSTER EXP 1/4"F/B DOW
(INT PKG C)
1079797 VINYL, ALLANTE II CHAMPAGNE EXP FLAT
(INT PKG A, B, D)
892075 VINYL, ALLANTE II SEA OYSTER EXP FLAT
(INT PKG C)

MIRROR COLUMNS

1442466 FABRIC, ULTRASUEDE RIVIERA CHAMOIS 3927 FLAT

SPEAKER COVER MATERIAL

1461417 FABRIC, SPKR CLOTH BLK 3YD X 32"

STORAGE & BUNK TOPS

1128487 FABRIC, GEOMETRIC STRAW (NDLPNCH) W/BACK

WELT

1091750 WELT, ALLANTE II CHAMPAGNE 5/32"
1781289 FABRIC, WELT CORD CD-06709 3/8"W/TAB
(PKG A, C)
1781290 FABRIC, WELT CORD CD-06703 3/8"W/TAB
(PKG B)
1779839 FABRIC, WELT CORD CD-06682 3/8"W/TAB
(PKG D)

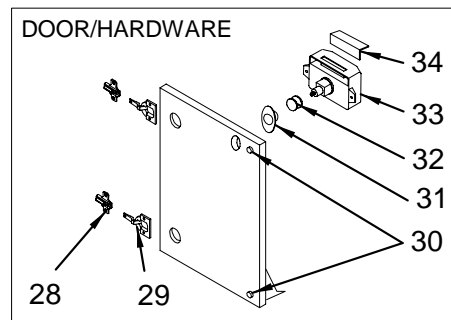
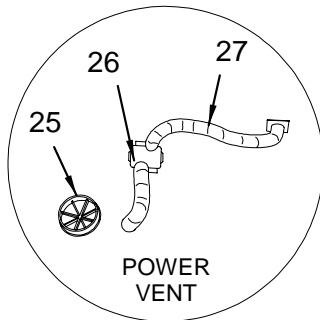
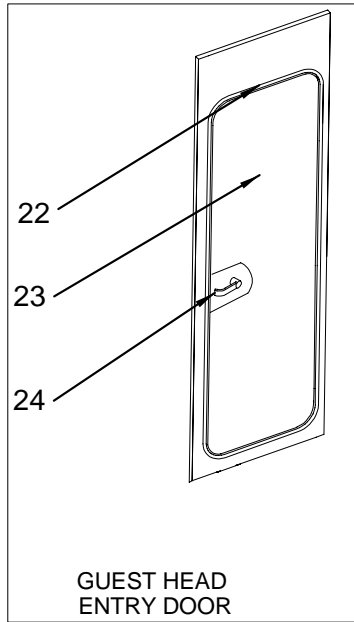
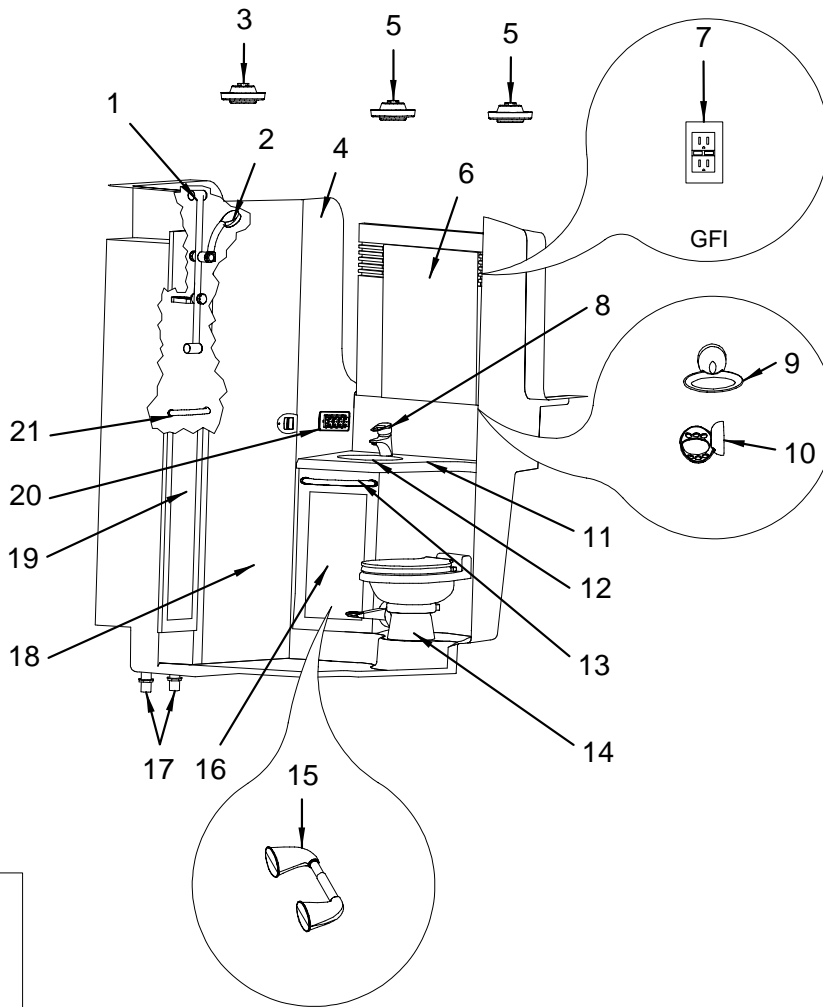
LABELS

1454073 LABEL, SEW-IN "DRY CLEAN ONLY"

NOT SHOWN

1412584 VELCRO, DUAL LOCK BLK 2" SJ3901/4955 3M
1630730 ZIPPER, #4.5 COIL BLK 200YD/RL
1630748 ZIPPER, #4.5 LOCKING PULL BLK 100PC/PK

PORT HEAD



PORT HEAD

- 1 916213 SHOWER BAR, SLIDE BAR 24" CHR (GROHE)
 2 916205 SHOWER, HAND HELD ANGLED RELEXA PLUS
 3 1449073 LIGHT, TWIST-OFF BEZEL GLASS 10W
 1448463 BULB, XENON 12V/10W
 4 1742245 PANEL, PLEX 420DB-04 PRT GSTHD SHWR
 5 1742138 LIGHT, DAVID-EYEBALL SAT/NCKL RING/FRST LENS
 1448463 BULB, XENON 12V/10W
 6 1775624 420DB 05, DOOR, PRT VAN FWDHD
 1772228 MIRROR, 1/8" X 19 5/8" X 24 15/16" CLR P/E
 1437219 PULL, DOOR FLUSH MIRROR CHR
 1762538 CATCH, GRABBER LATCH W/ 3LB HOLD SIDE MNT
 7 1787502 RECEPTACLE, GFCI DPLX WHT W/IND LIGHT 15A LVT
 (HULL#528->UP)
 1757692 RECEPTACLE, GFCI DUPLEX WHT W/INDCT LIGHT 15A
 (HULL#502->527)
 627737 BOX, RECEPTACLE/SWITCH PVC 1-GANG DEEP
 8 1740969 FAUCET, LAV TALIA CTRSET SAT/NKL W/DRAIN
 9 176487 HOLDER, SOAP
 10 176529 HOLDER, TUMB/BRUSH
 11 1787719 TOP, KARADON 420DB-05 PRT GSTHD VANLUMGLD RV1
 (HULL#563->UP)
 1781615 TOP, KARADON 420DB-05 PRT GSTHD VAN LUM GLD
 (HULL#503->561)
 1787720 TOP, KARADON 420DB-05 PRT GSTHD VANCNDLGLWRV1
 (HULL#566->UP) (CANDLE GLOW - GALLEY / HEAD COUNTER
 TOPS)
 1781616 TOP, KARADON 420DB-05 PRT GSTHD VAN CNDL GLW
 (HULL#505->565) (CANDLE GLOW - GALLEY / HEAD COUNTER
 TOPS)
 12 1767804 SINK, SS GLY/HEAD OVAL 15"OD X 10-3/8"OD POL
 13 1745349 RAIL, SS GRAB 420DB-04 VANITY 12"
 14 1744869 HEAD, VACU-FLUSH BONE 1008 BTM DIS
 1784547 SEAT ASSY, CVR/SEAT/HNG PIN BONE
 15 146399 HOLDER, TOILET PAPER WALL MNT CHR ROLLER
 16 1775625 420DB 05, DOOR, LWR STRG FWDHD CHERRY
 17 196782 DRAIN ASSY, SHOWER 1.5"
 344762 DRAIN ASSY, SHOWER SLIP NUT 1.5"
 18 1746701 DOOR, 420DB-04 PRT GSTHD BI-FOLD SHWR
 19 1775627 420DB 05, DOOR, INBOARD STRG FWD H/D CHERRY
 20 1741010 COVER PLATE, IDEA-SERIES 4-GANG NKL RONDO
 914705 FRAME, IDEA-SERIES 4-GANG SUPPORT
 893230 SWITCH, IDEA-SERIES SPST GREY
 1590884 SWITCH, IDEA-SERIES 12VDC HEAD STAT PNL
 627737 BOX, RECEPTACLE/SWITCH PVC 1-GANG DEEP
 813915 FUSE, FERRULE TYPE AGC 7.5A
 948208 FUSE HOLDER, FERRULE TYPE VIMAR
 21 1761040 RAIL, GRAB 15" OVAL LOW PRFL W/MNTG PLT 316L
 22 823070 OAK, DOOR FRAME PART-A RIGHT
 823088 OAK, DOOR FRAME PART-A LEFT
 823096 OAK, DOOR FRAME PART-B RIGHT
 823104 OAK, DOOR FRAME PART-B LEFT
 23 1775827 420DB 05, DOOR, ENTRY PRTHD CHERRY
 132324 HINGE, BUTT CHROME/ZINC 2"
 1452820 HOOK, CLOTHES HOOK SURFACE MT
 930370 BRACKET, ALUM 1/4" X 4" DOOR SECURING
 24 1751064 LATCH, NOVA RH-OUT PRVKNB SAT/CHR HIDSCR
 863225 PLATE, STRIKER MOBELLA (WIDE)
 891200 PLATE, STRIKER MOBELLA 1.25"WIDE
 25 137356 VENT, POWER VENT 3" BLK
 26 965699 BLOWER, BILGE 3" REMOTE MNT #5415
 27 124024 HOSE, VENT/BLOWER 3" EX HVY DTY
 28 1689249 HINGE, CONCEALED FULL OVERLAY MT PLT CLIP .01
 29 1689248 HINGE, SELF CLOSING 3MM CLIP-ON
 30 558031 BUMPER, CLEAR SMALL ROUND
 31 1742137 PULL, ROSETTE SAT/NCKL OVAL 19MM
 32 1742136 PULL, PUSH-BUTTON KNOB SAT/NCKL
 33 772418 CATCH, RIM-LOCK WHT
 34 761445 CATCH, RIM-LOCK STRIKE PLATE

HEADLINER/HULL LINER/WASHABLE SURFACE

- 1091743 VINYL, ALLANTE II CHAMPAGNE EXP 1/4"F/B DOW
 (INT PKG A, B, D)
 986810 VINYL, ALLANTE II SEA OYSTER EXP 1/4"F/B DOW
 (INT PKG C)
 1079797 VINYL, ALLANTE II CHAMPAGNE EXP FLAT
 (INT PKG A, B, D)
 892075 VINYL, ALLANTE II SEA OYSTER EXP FLAT
 (INT PKG C)

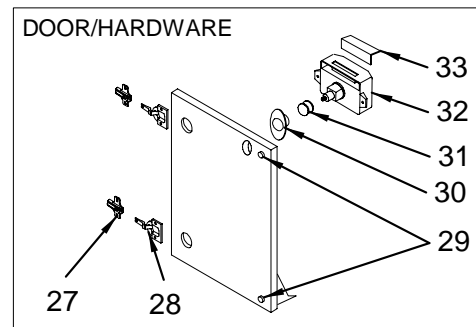
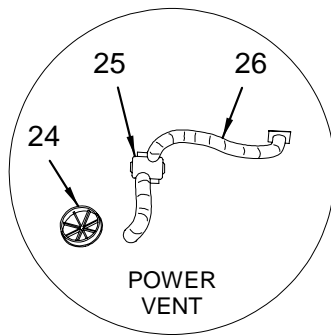
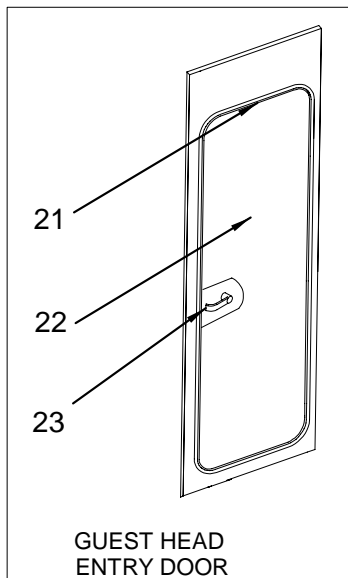
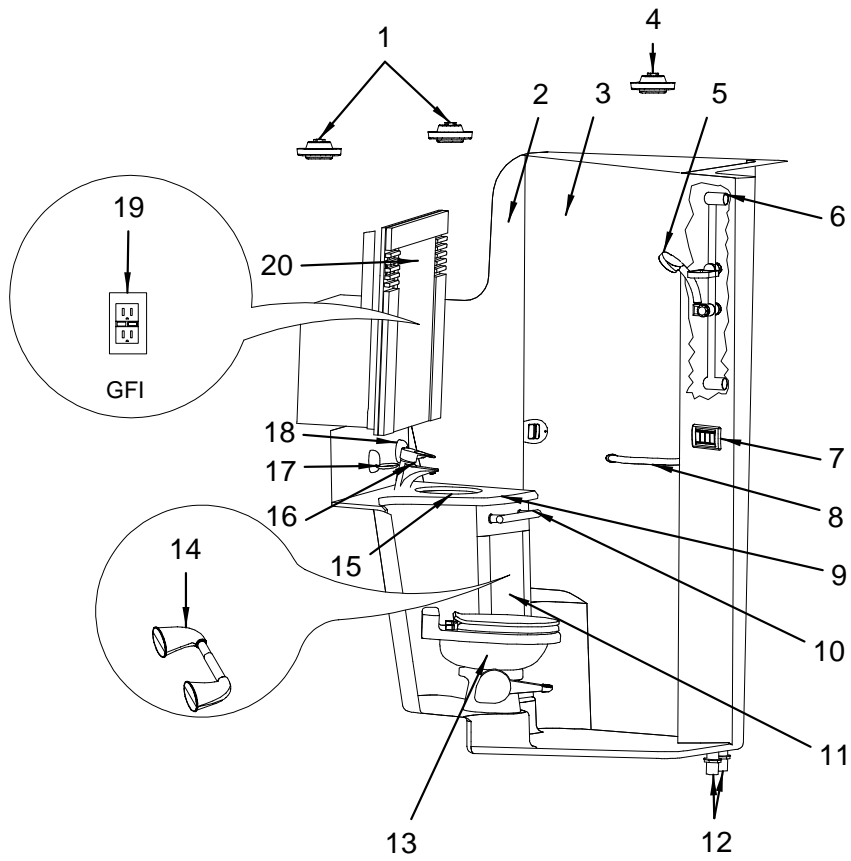
LABELS

- 1743510 LABEL, 7/16" X 7/8" HEAD
 1751429 LABEL, 7/16" X 7/8" VENT

NOT SHOWN

- 137349 ACCESS PLATE, PLAS CVR 5" WHT
 1747024 SKYLIGHT, PLEX 420DB-04 1/4" CLR/FRST 10" RND
 948968 A/C COMP, HOSE RING 3" PLAS ROUND

STARBOARD HEAD



STARBOARD HEAD

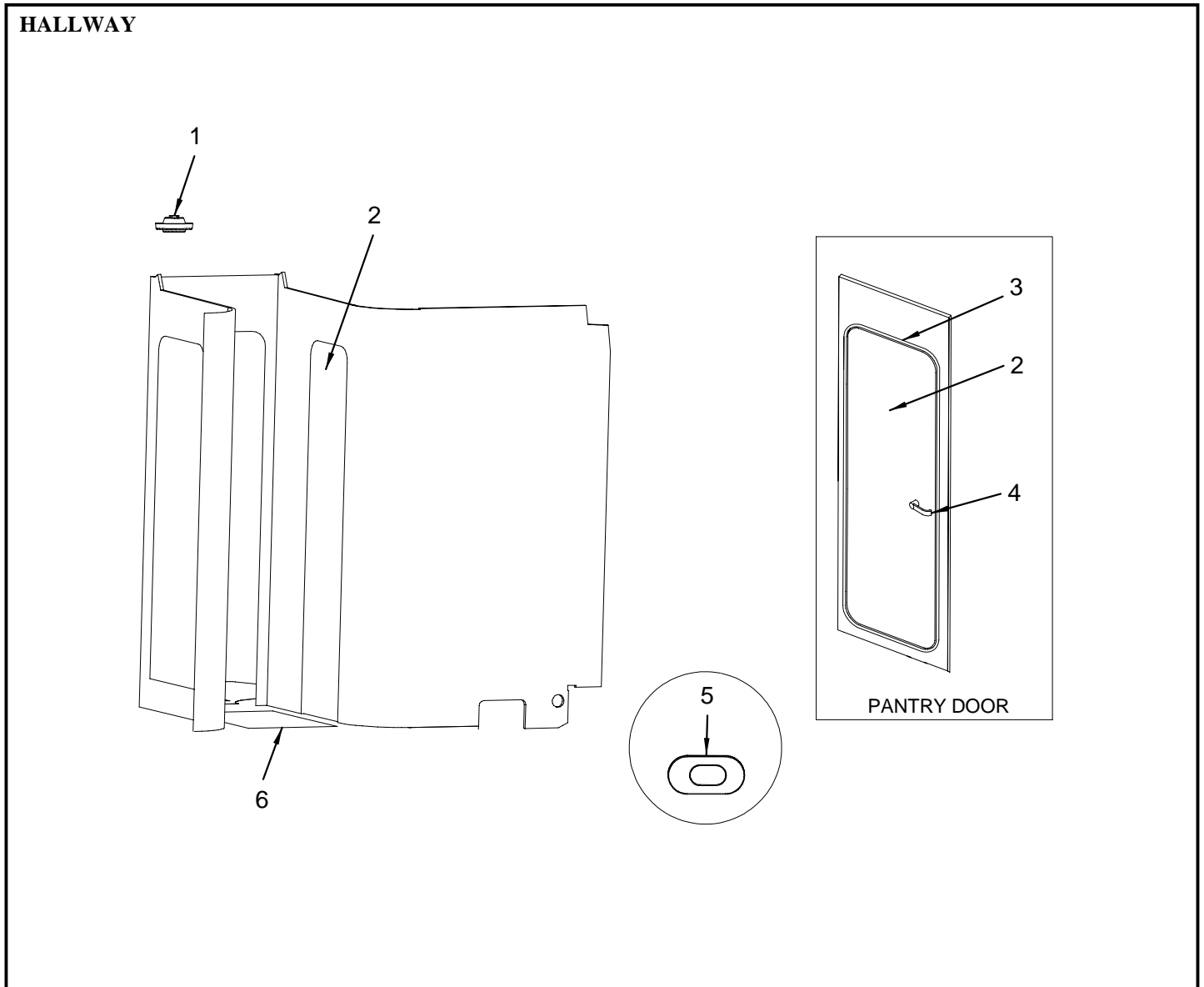
- 1 1742138 LIGHT, DAVID-EYEBALL SAT/NCKL RING/FRST LENS
- 1448463 BULB, XENON 12V/10W
- 2 1742246 PANEL, PLEX 420DB-04 STB MSTRHD SHWR
- 3 1746702 DOOR, 420DB-04 STB MSTRHD BI-FOLD SHWR
- 4 1449073 LIGHT, TWIST-OFF BEZEL GLASS 10W
- 1448463 BULB, XENON 12V/10W
- 5 916205 SHOWER, HAND HELD ANGLED RELEXA PLUS
- 6 916213 SHOWER BAR, SLIDE BAR 24" CHR (GROHE)
- 7 914705 FRAME, IDEA-SERIES 4-GANG SUPPORT
- 1741010 COVER PLATE, IDEA-SERIES 4-GANG NKL RONDO
- 893230 SWITCH, IDEA-SERIES SPST GREY
- 1590884 SWITCH, IDEA-SERIES 12VDC HEAD STAT PNL
- 627737 BOX, RECEPTACLE/SWITCH PVC 1-GANG DEEP
- 948208 FUSE HOLDER, FERRULE TYPE VIMAR
- 813915 FUSE, FERRULE TYPE AGC 7.5A
- 8 1761040 RAIL, GRAB 15" OVAL LOW PRFL W/MNTG PLT 316L
- 9 1787717 TOP, KARADON 420DB-05 STB MSTRHD VANLUMGLDRV1
(HULL#563->UP)
- 1781619 TOP, KARADON 420DB-05 STBD MSTRHD VAN LUM GLD
(HULL#503->561)
- 1787718 TOP, KARADON 420DB-05 STB MSTHD VANCNDLGLWRV1
(HULL#566->UP) (CANDLE GLOW - GALLEY / HEAD COUNTER TOPS)
- 1781620 TOP, KARADON 420DB-05 STBD MSTHD VAN CNDL GLW
(HULL#505->565) (CANDLE GLOW - GALLEY / HEAD COUNTER TOPS)
- 10 1745349 RAIL, SS GRAB 420DB-04 VANITY 12"
- 11 1775618 420DB 05,DOOR,VAN LWR STB HEAD
- 12 196782 DRAIN ASSY, SHOWER 1.5"
- 344762 DRAIN ASSY, SHOWER SLIP NUT 1.5"
- 13 1744869 HEAD, VACU-FLUSH BONE 1008 BTM DIS
- 1784547 SEAT ASSY, CVR/SEAT/HNG PIN BONE
- 14 146399 HOLDER, TOILET PAPER WALL MNT CHR ROLLER
- 15 1767804 SINK, SS GLY/HEAD OVAL 15"OD X 10-3/8"OD POL
- 16 1740969 FAUCET, LAV TALIA CTRSET SAT/NKL W/DRAIN
- 17 176487 HOLDER, SOAP
- 18 176529 HOLDER, TUMB/BRUSH
- 19 1787502 RECEPTACLE, GFCI DPLX WHT W/IND LIGHT 15A LVT
(HULL#528->UP)
- 1757692 RECEPTACLE, GFCI DUPLEX WHT W/INDCT LIGHT 15A
(HULL#502->527)
- 20 1775621 420DB 05,DOOR,VAN FWDHD
- 1772228 MIRROR, 1/8"X 19 5/8"X 24 15/16" CLR P/E
- 1437219 PULL, DOOR FLUSH MIRROR CHR
- 1762538 CATCH, GRABBER LATCH W/ 3LB HOLD SIDE MNT
- 21 823070 OAK, DOOR FRAME PART-A RIGHT
- 823088 OAK, DOOR FRAME PART-A LEFT
- 823096 OAK, DOOR FRAME PART-B RIGHT
- 823104 OAK, DOOR FRAME PART-B LEFT
- 22 1775619 420DB 05,DOOR,ENTRY STBHD CHERRY
- 132324 HINGE, BUTT CHROME/ZINC 2"
- 1452820 HOOK, CLOTHES HOOK SURFACE MT
- 930370 BRACKET, ALUM 1/4"X 4" DOOR SECURING
- 23 1751065 LATCH, NOVA LH-OUT PRVKNB SAT/CHR HIDSCR
- 863225 PLATE, STRIKER MOBELLA (WIDE)
- 891200 PLATE, STRIKER MOBELLA 1.25"WIDE
- 24 137356 VENT, POWER VENT 3" BLK
- 25 965699 BLOWER, BILGE 3" REMOTE MNT #5415
- 26 124024 HOSE, VENT/BLOWER 3" EX HVY DTY
- 27 1689249 HINGE, CONCEALED FULL OVERLAY MT PLT CLIP .01
- 28 1689248 HINGE, SELF CLOSING 3MM CLIP-ON
- 29 558031 BUMPER, CLEAR SMALL ROUND
- 30 1742137 PULL, ROSETTE SAT/NCKL OVAL 19MM
- 31 1742136 PULL, PUSH-BUTTON KNOB SAT/NCKL
- 32 772418 CATCH, RIM-LOCK WHT
- 33 761445 CATCH, RIM-LOCK STRIKE PLATE

LABELS

- 1743510 LABEL, 7/16"X 7/8" HEAD
- 1751429 LABEL, 7/16"X 7/8" VENT

NOT SHOWN

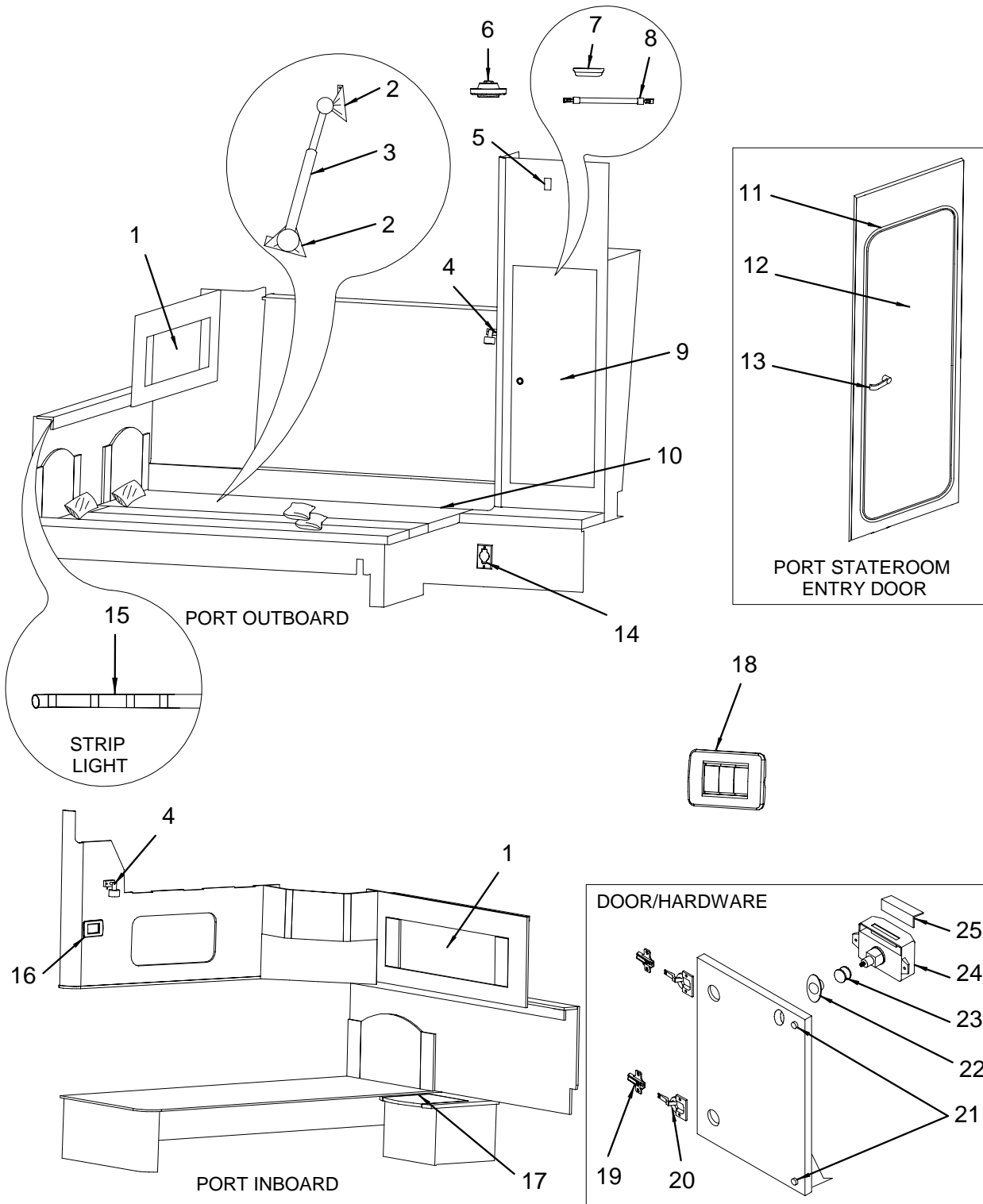
- 137349 ACCESS PLATE, PLAS CVR 5" WHT
- 1747024 SKYLIGHT, PLEX 420DB-04 1/4" CLR/FRST 10"RND



HALLWAY

- 1 1742138 LIGHT, DAVID-EYEBALL SAT/NCKL RING/FRST LENS
- 1448463 BULB, XENON 12V/10W
- 2 1775851 420DB 05,DOOR,PANTRY
- 132324 HINGE, BUTT CHROME/ZINC 2"
- 930370 BRACKET, ALUM 1/4"X 4" DOOR SECURING
- 3 823070 OAK, DOOR FRAME PART-A RIGHT
- 823088 OAK, DOOR FRAME PART-A LEFT
- 823096 OAK, DOOR FRAME PART-B RIGHT
- 823104 OAK, DOOR FRAME PART-B LEFT
- 4 1751543 LATCH, NOVA L-OUT NOLCK 1-SIDE HNDL SAT/CHR
- 863225 PLATE, STRIKER MOBELLA (WIDE)
- 5 1796195 LIGHT, WHT LED STORM/L SAT/NCKL 12VDC
(HULL#561->UP) (BULB NOT SOLD SEPARATELY)
- 1742143 LIGHT, STEP LED STORM 12V SAT/NCKL
(HULL#502->560)
- 1642438 BULB, REPL FOR LED STORM 12V (1624766)
(HULL#502->560)
- 6 1775852 420DB 05,HATCH,FLOOR HALLWAY

PORT STATEROOM



PORT STATEROOM

NOT SHOWN (continued)

686857 BRACKET, ZINC 3/4"X 3"X 3" (CORNER BRACE)

- 1 1747565 MIRROR, 1/8"X 11"X 32" CLEAR
 2 634550 BRACKET, SS GAS CYL 90DEG L-BRKT W/BALL LONG
 3 674358 CYLINDER, GAS 40PSI 20"EXT X 12"COMP
 4 1742141 LIGHT, SAMPEI HALOGEN W/SW 12V/10W SAT/NCKL
 1448463 BULB, XENON 12V/10W
 5 1781228 MONITOR, CO DETECTOR WHT CMD-4
 (HULL#519->UP)
 1433713 MONITOR, CO DETECTOR GRY
 (HULL#501->518)
 1782156 PLATE, CO MONITOR BACKING WHT (CMD-4)
 (HULL#519->UP)
 1446699 PLATE, CO MONITOR BACKING GREY
 (HULL#501->518)
 6 1742138 LIGHT, DAVID-EYEBALL SAT/NCKL RING/FRST LENS
 1448463 BULB, XENON 12V/10W
 7 822668 LIGHT, SGL DOME FLUSH MT PLAS WHT W/O SWITCH
 604801 BULB, DOME LIGHT 12V
 8 1752348 BAR, HANGING ROD (CLOTHES) ALUM 21 3/8"
 9 1775755 420DB 05,DOOR,H/L PRTSTRM
 1437219 PULL, DOOR FLUSH MIRROR CHR
 1762537 CATCH, GRABBER LATCH W/ 3LB HOLD W/ELEC SWT
 (HULL#542->UP)
 1281054 CATCH, GRABBER LATCH W/10LB HOLD W/ELEC SW
 (HULL#501->541)
 10 195230 HINGE, AL CONT 1.5"X 96" SAT
 11 823070 OAK, DOOR FRAME PART-A RIGHT
 823088 OAK, DOOR FRAME PART-A LEFT
 823096 OAK, DOOR FRAME PART-B RIGHT
 823104 OAK, DOOR FRAME PART-B LEFT
 12 1775756 420DB 05,DOOR,ENTR PRT STRM
 1687224 MIRROR, 1/8"X 60"X 12" CLEAR P/E
 863225 PLATE, STRIKER MOBELLA (WIDE)
 132324 HINGE, BUTT CHROME/ZINC 2"
 1065960 THRESHOLD, SS 480/420DB-04 ENTRYWAY 19.5"
 893875 LATCH, DOOR HLDR W/CUSH CHR 2 9/16"
 1286178 CAP, CUSHION TIP FOR DOOR STOP
 930370 BRACKET, ALUM 1/4"X 4" DOOR SECURING
 13 1751066 LATCH, NOVA RH-IN PRVKNB SAT/CHR HIDSCR
 14 1776485 VACUUM, INLET BISQUE N/WIRES
 (VACUUM SYSTEM, CENTRAL - BEAM - 120V/60)
 (VACUUM SYSTEM, CENTRAL - BEAM - 220V/50)
 15 137919 LIGHT, STRIP TAC 36"
 16 1741009 COVER PLATE, IDEA-SERIES 2OR3-GANG NKL RONDO
 893289 FRAME, IDEA-SERIES 3-GANG SUPPORT FRAME GREY
 893222 RECEPTACLE, IDEA-SERIES SGL GRY
 902064 RECEPTACLE, SGL GERMAN STD GREY
 (220V)
 893263 SWITCH, BLANK IDEA-SERIES GREY
 975011 SWITCH, BLANK IDEA-SERIES WHT
 (220V)
 17 1775757 420DB 05,DOOR,NIGHT STAND PRT STRM
 1749060 HINGE, AL CONT 1.5"X 12" BLK
 18 1741009 COVER PLATE, IDEA-SERIES 2OR3-GANG NKL RONDO
 893289 FRAME, IDEA-SERIES 3-GANG SUPPORT FRAME GREY
 893230 SWITCH, IDEA-SERIES SPST GREY
 627737 BOX, RECEPTACLE/SWITCH PVC 1-GANG DEEP
 19 1689249 HINGE, CONCEALED FULL OVERLAY MT PLT CLIP .01
 20 1689248 HINGE, SELF CLOSING 3MM CLIP-ON
 21 558031 BUMPER, CLEAR SMALL ROUND
 22 1742137 PULL, ROSETTE SAT/NCKL OVAL 19MM
 23 1742136 PULL, PUSH-BUTTON KNOB SAT/NCKL
 24 772418 CATCH, RIM-LOCK WHT
 1132380 CATCH, RIM-LOCK WHT (SHIM ONLY)
 25 761445 CATCH, RIM-LOCK STRIKE PLATE

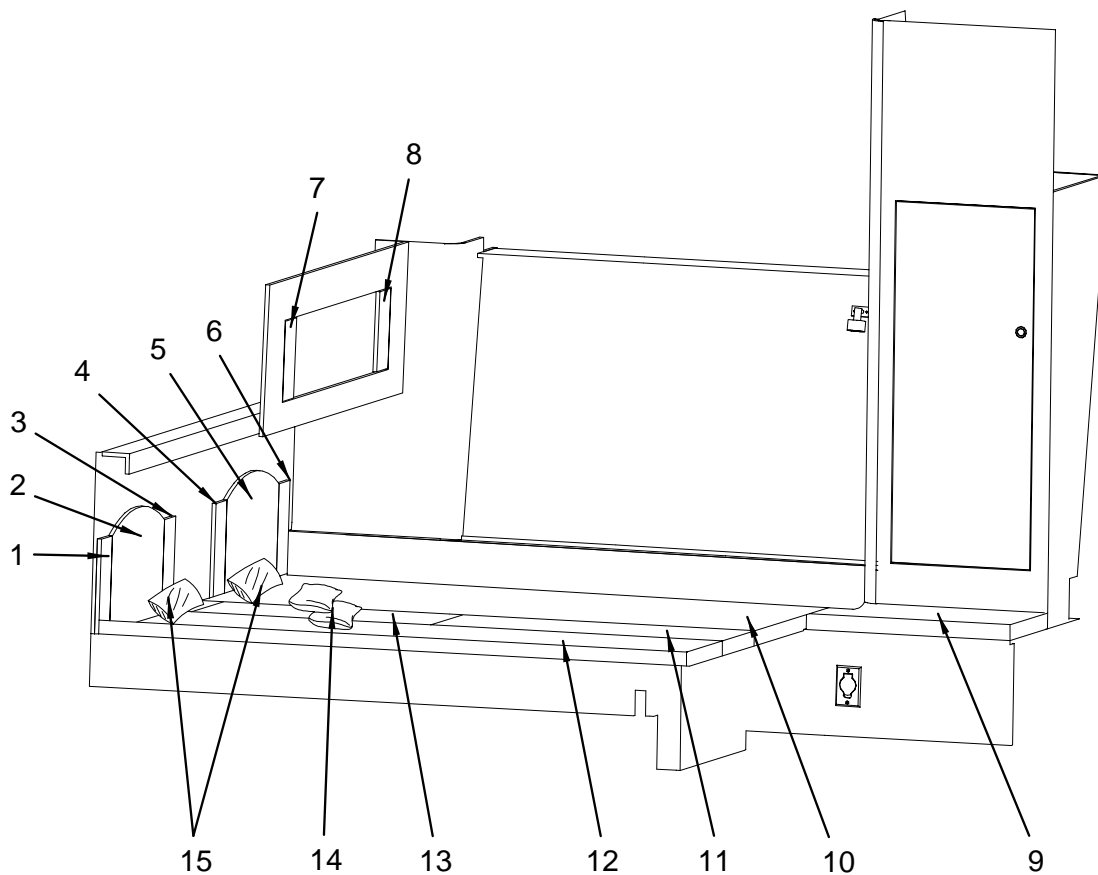
LABELS

- 1454057 LABEL, SEW-IN "PORT STRM OTBD-FWD"
 1454065 LABEL, SEW-IN "PRT STRM INBD-FWD"
 1454107 LABEL, SEW-IN "PORT STRM-AFT"
 1743508 LABEL, 7/16"X 7/8" STATEROOM

NOT SHOWN

- 129247 BAR, ALUM FLAT 1/8"X 2"X 12"
 140111 LIFT HANDLE, HATCH LIFT BOLT W/RING 3"
 1747024 SKYLIGHT, PLEX 420DB-04 1/4" CLR/FRST 10"RND
 174714 CLIP, MIRROR 1/8"
 1747507 PORTLIGHT, FIXED SS MOLDED 1/2"-7/8" RV1
 186221 BRACKET, ALUM 1.5"X 1.5"X 1.5"SUPPORT
 186239 BRACKET, ALUM 1.5"X 1.5"X 3"
 188391 CLIP, XMAS TREE
 198465 BRACKET, ALUM 1/8"X 3/4"X 1.5"X 3"L SUPPORT

PORT STATEROOM (UPHOLSTERY)



PORT STATEROOM (UPHOLSTERY)

1	1775758	420DB 05,MUFF,I/B BUNK PRT STRM I/B
2	1775759	420DB 05,MUFF,I/B BUNK PRTSTRM CEN
3	1775760	420DB 05,MUFF,I/B BUNK PRTSTRM O/B
4	1775761	420DB 05,MUFF,O/B BUNK PRTSTRM I/B
5	1775762	420DB 05,MUFF,O/B BUNK PRTSTRM CTR
6	1775763	420DB 05,MUFF,O/B BUNK PRTSTRM O/B
7	1775764	420DB 05,MUFF,O/B MIRR PRTSTRM I/B
8	1775765	420DB 05,MUFF,O/B MIRR PRTSTRM O/B
9	1775766	420DB 05,CUSH,PRTSTRM FWD SEAT
	1775767	420DB 05,CUSH SKN,PRTSTRM FWD SEAT
	1747026	FOAM, P/C 420DB-04 PRTSTRM FWD SEAT
10	1775768	420DB 05,CUSH,PRTSTRM O/B
	1775769	420DB 05,CUSH SKN,PRTSTRM O/B
	1745668	FOAM, P/C 420DB-04 PRTSTRM BUNK W/FILR (4PC)
11	1775770	420DB 05,CUSH,PRTSTRM FILR FWD
	1775771	420DB 05,CUSH SKN,PRTSTRM FILR FWD
	1745668	FOAM, P/C 420DB-04 PRTSTRM BUNK W/FILR (4PC)
12	1775772	420DB 05,CUSH,PRTSTRM I/B
	1775773	420DB 05,CUSH SKN,PRTSTRM I/B
	1745668	FOAM, P/C 420DB-04 PRTSTRM BUNK W/FILR (4PC)
13	1775774	420DB 05,CUSH,PRTSTRM FILR AFT
	1775775	420DB 05,CUSH SKN,PRTSTRM FILR AFT
	1745668	FOAM, P/C 420DB-04 PRTSTRM BUNK W/FILR (4PC)
14	1774227	PILLOW PKG, 2005 SPYT PKGA MID/GST (2) NEUTRL
	1774232	PILLOW PKG, 2005 SPYACHT PKGB MID/GSTRM (2)
	1774241	PILLOW PKG, 2005 SPYACHT PKGC MID/GSTRM (2)
	1774263	PILLOW PKG, 2005 SPYACHT PKGD MID/GSTRM (2)
15	651257	PILLOW, QUEEN SIZE

BED SHEETING

593517 SHEETING, SHEET MATERIAL 200CT 91.5"

CARPET

1467174 CARPET, INT 44 OZ WHEATON 12"W 100% BCF BT
(INT PKG A, B, D)
1467158 CARPET, INT 44 OZ SNOW 12"W 100% BCF BT
(INT PKG C)
1468164 CARPET, INT 44 OZ WHEATON 12"W 100% BCF KB
(INT PKG A, B, C)
1468172 CARPET, INT 44 OZ SNOW 12"W 100% BCF KB
(INT PKG D)

CARPET RUNNER

1742629 CANVAS, 420DB-04 CARPET RUNNER STD TST
1248244 BINDING, CANVAS 1.25" TOAST BIAS SUNBRELLA

CURTAIN PACKAGE COMPLETE

1786490 CURTAIN, 420DB-05 PKGA-GIGI TOAST GSTRM PRTL
1786491 CURTAIN, 420DB-05 PKGB-MARV SAFFRN GST PRTL
1786492 CURTAIN, 420DB-05 PKGC-DOYLE-F WHT GST PRTL
1786493 CURTAIN, 420DB-05 PKGD-BRDCST CDR GST PRTL

FABRICS

1180744 VINYL, ULTRALTHR PECAN 3778
(INT PKG A, D)
1770266 FABRIC, PREMIER SADDLE FLAT
(INT PKG B)
1770279 FABRIC, SENA 34J2971 ACORN FLAT
(INT PKG C)
1442466 FABRIC, ULTRASUEDE RIVIERA CHAMOIS 3927 FLAT
1746844 FABRIC, LUCERNE CASHEW FLAT

HEADLINER/HULL LINER/WASHABLE SURFACE

1079797 VINYL, ALLANTE II CHAMPAGNE EXP FLAT
(INT PKG A, B, D)
892075 VINYL, ALLANTE II SEA OYSTER EXP FLAT
(INT PKG C)
1091743 VINYL, ALLANTE II CHAMPAGNE EXP 1/4"F/B DOW
(INT PKG A, B, D)
986810 VINYL, ALLANTE II SEA OYSTER EXP 1/4"F/B DOW
(INT PKG C)

MIRROR COLUMNS

1746844 FABRIC, LUCERNE CASHEW FLAT

QUILT KIT

1771858 QUILT KIT, 420DB-05 PKGA-BAZZINI AMBER PGSTRM
(PKG A, C)
1771871 QUILT KIT, 420DB-05 PKGB-NTRL RHYTHM #2 PGST
(PKG B)

QUILT KIT (continued)

1771897 QUILT KIT, 420DB-05 PKGD-WELLINGTON FAWN PGST
(PKG D)
1771884 QUILT KIT, 420DB-05 PKGC-ARIA DEEP SEA PGSTRM
(INTERIOR PACKAGE C UP-CHARGE)

STORAGE & BUNK TOPS

1128487 FABRIC, GEOMETRIC STRAW (NDLPNCH) W/BACK

WELT

1091750 WELT, ALLANTE II CHAMPAGNE 5/32"
1781289 FABRIC, WELT CORD CD-06709 3/8"W/TAB
(PKG A, C)
1781290 FABRIC, WELT CORD CD-06703 3/8"W/TAB
(PKG B)
1781291 FABRIC, WELT CORD CD-06704 3/8"W/TAB
(PKG D)

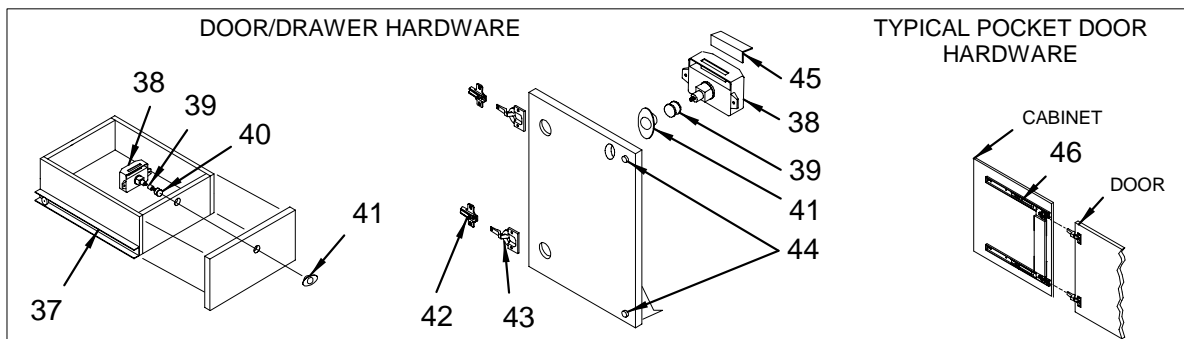
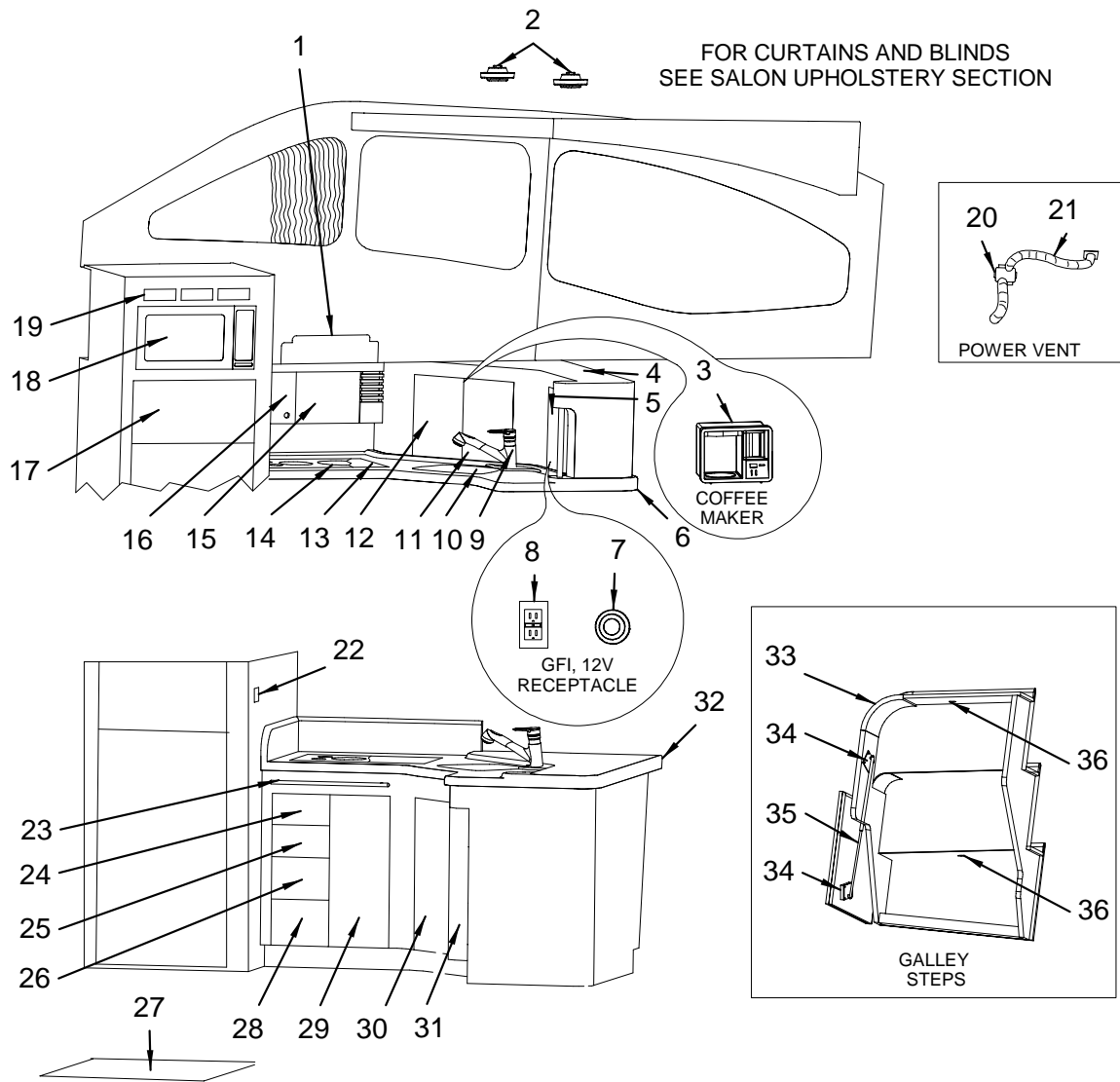
LABELS

1454073 LABEL, SEW-IN "DRY CLEAN ONLY"

NOT SHOWN

154393 SNAP SOCKET, MED ACTION
1630730 ZIPPER, #4.5 COIL BLK 200YD/RL
1630748 ZIPPER, #4.5 LOCKING PULL BLK 100PC/PK
170571 SNAP BUTTON, W/ 5/16" BARREL BLK
1750838 FABRIC, MATTRESS TICKING WALDRF 100 PEARL 54"
180182 ZIPPER, #5 DELRIN CONTINUOUS WHT
180406 SLIDE, DELRIN #5 WHT 1-S LOCK
773630 MESH, WHITE 54"
877670 TACK STRIP, POLYPROPYLENE 5/8"

GALLEY



GALLEY

1	1746826	PLATE, 420DB-04 BRSH SS GLY ACCENT	18	1787508	COVER PLATE, SGL DUPLEX RECEPT BRN LVT (HULL#549->UP)	
2	1742138	LIGHT, DAVID-EYEBALL SAT/NCKL RING/FRST LENS		145078	COVER PLATE, SGL DUPLEX RECEPT BRN (HULL#501->548)	
	1448463	BULB, XENON 12V/10W		180463	BOX, RECEPTACLE HANDY DUPLEX METAL	
3	1789033	COFFEEMAKER, KRUPS BLK W/BRSHD CHR 12CUP 110V (HULL#538->UP)		1745124	LABEL, EXH FAN MUST BE ON WHEN COOK APPL USED	
	866418	COFFEEMAKER, SPACEMAKER ODC325 WHT (HULL#503->537)		19	1745353	PLATE, 420DB/420DA-04 BRSH SS MCRVW VENT
	1793182	COFFEEMAKER, KRUPS BLK W/BRSHD CHR 12CUP 220V (220 VOLT / 50 CYCLE ELECTRICAL SYSTEM)		20	965699	BLOWER, BILGE 3" REMOTE MNT #5415
	1794457	HOLDER, HDPE COFMKR		172783	ADAPTER, HOSE FLANGE 3"	
	1082429	SLIDE ASSY, DRAWER SLIDE 10" KNAPP/VOGT		842054	TEE, PVC 2.5"FM SLIP ALL THE WAY	
	1787507	RECEPTACLE, DUPLEX BRN 15A LVT (HULL#532->UP)		21	124024	HOSE, VENT/BLOWER 3" EX HVY DTY
	145094	RECEPTACLE, DUPLEX BRN 15A (HULL#502->531)		22	1741009	COVER PLATE, IDEA-SERIES 2OR3-GANG NKL RONDO
	1787508	COVER PLATE, SGL DUPLEX RECEPT BRN LVT (HULL#549->UP)		893289	FRAME, IDEA-SERIES 3-GANG SGL SUPPORT FRAME GREY	
	145078	COVER PLATE, SGL DUPLEX RECEPT BRN (HULL#501->548)		893230	SWITCH, IDEA-SERIES SPST GREY	
	180463	BOX, RECEPTACLE HANDY DUPLEX METAL		813915	FUSE, FERRULE TYPE AGC 7.5A	
4	1781611	TOP, KARADON 420DB-05 GLY BRKFST LUMINOUS GLD		948208	FUSE HOLDER, FERRULE TYPE VIMAR	
	1781612	TOP, KARADON 420DB-05 GLY BRKFST CANDLE GLOW (CANDLE GLOW - GALLEY / HEAD COUNTER TOPS)		23	1734885	RAIL, SS GRAB 420DA-03 GLY RETAINER 24"
	1782249	TOP, PLEX 420DB-05 GLY BRKFST BAR CLR FRST		24	1775634	420DB 05,DRWRFC, GLY UPR END
5	1775635	420DB 05,DOOR, GLY STRG AFT (GFI)		1743380	DRAWER, MAPLE 7 7/16"X 14"X 6"	
	1221563	STANCHION, HDPE 410EC/DA CUP HOLDER		1559012	SLIDE ASSY, DRAWER SLIDE 14" ACCURIDE	
	1750947	HOLDER, HDPE 420DB-04 CUP GLY	25	1775633	420DB 05,DRWRFC, GLY CTR TOP	
6	136853	NOSING, ALUM 5/8"X 12" T-1 ROUNDED BRITE BUFF		1743380	DRAWER, MAPLE 7 7/16"X 14"X 6"	
7	1287283	RECEPTACLE, FEMALE 12V LONG THRD BLK		1559012	SLIDE ASSY, DRAWER SLIDE 14" ACCURIDE	
	1259977	PLATE, FEMALE 12V RECEPTACLE MNT	26	1775632	420DB 05,DRWRFC, GLY CTR BOTTOM	
8	1787502	RECEPTACLE, GFCI DPLX WHT W/IND LIGHT 15A LVT (HULL#528->UP)		1743379	DRAWER, MAPLE 7 7/16"X 14"X 4"	
	1757692	RECEPTACLE, GFCI DUPLEX WHT W/INDCT LIGHT 15A (HULL#502->527)		1559012	SLIDE ASSY, DRAWER SLIDE 14" ACCURIDE	
9	1754620	FAUCET, GALLEY "ALIRA" P/O SPRAY SS		27	1775853	420DB 05,HATCH,FLOOR GLY
10	1781623	COVER, KARADON 420DB-05 GLY SINK LUMINOUS GLD		140111	LIFT HANDLE, HATCH LIFT BOLT W/RING 3"	
	1781624	COVER, KARADON 420DB-05 GLY SINK CANDLE GLOW (CANDLE GLOW - GALLEY / HEAD COUNTER TOPS)		28	1775631	420DB 05,DRWRFC, GLY BOTTOM END
	11	1775636	420DB 05,DOOR, GLY UPR COFFEEMAKER PRT		1743379	DRAWER, MAPLE 7 7/16"X 14"X 4"
	1762538	CATCH, GRABBER LATCH W/ 3LB HOLD SIDE MNT		1559012	SLIDE ASSY, DRAWER SLIDE 14" ACCURIDE	
12	1775638	420DB 05,DOOR, GLY UPR COFFEEMAKER STB		29	1775630	420DB 05,DOOR, GLY LWR STRG FWD
	1762538	CATCH, GRABBER LATCH W/ 3LB HOLD SIDE MNT		1738434	BIRCH, DOWEL PEG 390MY/420DA GLY DISHWARE	
13	1781621	COVER, KARADON 420DB-05 STOVE LUMINOUS GOLD		30	1775629	420DB 05,DOOR, GLY LWR STRG AFT
	1781622	COVER, KARADON 420DB-05 STOVE CANDLE GLOW (CANDLE GLOW - GALLEY / HEAD COUNTER TOPS)		1688098	HOLDER, TOWEL BAR GLY (HULL#501->524)	
14	841726	STOVE, ELEC 2-BURNER BEVELED COOKTOP 110V		990556	BASKET, TRASH 8.5"X 14.25"X 15" WHT	
	841734	STOVE, ELEC 2-BURNER BEVELED COOKTOP 220V (220V)		1744745	LABEL, DISPOSAL OF GARBAGE	
	1511617	KNOB, STOVE CONTROL (110/220V)	31	1775628	420DB 05,DRWRFC, GLY PULL OUT AFT	
	1010503	SWITCH, PUSH-BUTTON STOVE W/48"20GA WIRE 1.7LB		1271063	DRAWER SLIDE, METAL 20" HVY DTY/FULL EXT	
	1144088	RELAY, 120VAC 20 AMP SPDT	32	1781753	TOP, KARADON 420DB-05 GLY W/CVRS LUM GLD	
	583906	RELAY, 240VAC 50/60 HZ 20 AMP DPDT (220V)		1781756	TOP, KARADON 420DB-05 GLY W/CVRS CANDLE GLW (CANDLE GLOW - GALLEY / HEAD COUNTER TOPS)	
15	1775637	420DB 05,DOOR, GLY UPR STRG AFT	33	140285	HINGE, SS CONT 2"X 72" (.225 CURL WIDTH)	
	1750946	HOLDER, HDPE 420DB-04 GLY DISHWARE	34	1078948	BRACKET, SS GAS CYL 3.5"X 3" W/STUD	
16	1775639	420DB 05,DOOR, GLY UPR STRG FWD	35	1763014	CYLINDER, GAS SS 100PSI 36"EXT X 20"COMP	
17	1755658	REFRIGERATOR, 7.0 CF CFC FREE AC/DC 110/12V	36	1796195	LIGHT, WHT LED STORM/L SAT/NCKL 12VDC (HULL#561->UP) (BULB NOT SOLD SEPARATELY)	
	1755659	REFRIGERATOR, 7.0 CF CFC FREE 220V (220V)		1742143	LIGHT, STEP LED STORM 12V SAT/NCKL (HULL#502->560)	
	1809241	REFRIGERATOR, 7.0 CF FRZR DOOR ASSY UPR (110/220V)		1642438	BULB, REPL FOR LED STORM 12V (1624766) (HULL#502->560)	
	1809242	REFRIGERATOR, 7.0 CF DOOR ASSY LWR (110/220V)	37	1559012	SLIDE ASSY, DRAWER SLIDE 14" ACCURIDE	
	1809243	REFRIGERATOR, 7.0 CF DOOR HANDLE ASSY (110/220V)	38	772418	CATCH, RIM-LOCK WHT	
	1787507	RECEPTACLE, DUPLEX BRN 15A LVT (HULL#532->UP)	39	1123165	LATCH, 12MM BRASS SHAFT EXTENSION	
	145094	RECEPTACLE, DUPLEX BRN 15A (HULL#502->531)	40	1742136	PULL, PUSH-BUTTON KNOB SAT/NCKL	
	1787508	COVER PLATE, SGL DUPLEX RECEPT BRN LVT (HULL#549->UP)	41	1742137	PULL, ROSETTE SAT/NCKL OVAL 19MM	
	145078	COVER PLATE, SGL DUPLEX RECEPT BRN (HULL#501->548)	42	1689249	HINGE, CONCEALED FULL OVERLAY MT PLT CLIP .01	
	180463	BOX, RECEPTACLE HANDY DUPLEX METAL	43	1689248	HINGE, SELF CLOSING 3MM CLIP-ON	
18	1742112	MICROWAVE, PANASONIC SS 1.1CF CVCTN 120/60	44	558031	BUMPER, CLEAR SMALL ROUND	
	1793183	MICROWAVE, TAPPAN 0.7CF 220V 700W SS (HULL#565->UP) (220V)	45	761445	CATCH, RIM-LOCK STRIKE PLATE	
	1780309	MICROWAVE, TAPPAN 0.7CF 220V 700W BLK (HULL#508->538) (220V)	46	898569	SLIDE ASSY, PIVOT DOOR 12" (KNAPP/VOGT) (HULL#501->542)	
	1787507	RECEPTACLE, DUPLEX BRN 15A LVT (HULL#532->UP)	FABRICS			
	145094	RECEPTACLE, DUPLEX BRN 15A (HULL#502->531)		1746844	FABRIC, LUCERNE CASHEW FLAT	
				1442466	FABRIC, ULTRASUEDE RIVIERA CHAMMOIS 3927 FLAT	
				HEADLINER/HULL LINER/WASHABLE SURFACE		
				1091743	VINYL, ALLANTE II CHAMPAGNE EXP 1/4"F/B DOW (INT PKG A, B, D)	
				986810	VINYL, ALLANTE II SEA OYSTER EXP 1/4"F/B DOW (INT PKG C)	
				989426	VINYL, ALLANTE II BLK EXP FLAT	
				1588615	VINYL, ALLANTE II ESPRESSO EXP FLAT	
				LABELS		
				1259977	PLATE, FEMALE 12V RECEPTACLE MNT	
				135046	LABEL, DANGER UNPLUG SHORE POWER	
				1743616	LABEL, UNPLUG SHORE POWER WARNING	
				1744738	LABEL, RECEPTACLE 12V-15A MAX (LEXAN)	
				1745124	LABEL, EXH FAN MUST BE ON WHEN COOK APPL USED	

LABELS (continued)

1746897 LABEL, 7/16"X 7/8" INDIRECT
 1751429 LABEL, 7/16"X 7/8" VENT
 1751486 LABEL, 7/16"X 7/8" GALLEY
 1751876 LABEL, WARNING TURN OFF COFFEE MAKER
 (HULL#501->538)
 1752844 LABEL, WARN KEEP DRS OPN/FANS ON WHLE APP USE
 (HULL#507->553)
 1751486 LABEL, 7/16"X 7/8" GALLEY

MICA

224204 MICA, 4'X 8'X.042"SAIL WHT MATTE GR12
 586230 MICA, 4'X 8'X.042"BLK MATTE GR12
 898882 MICA, PVC EDGE BAND 7/8"X .017 BLK MATTE

SPEAKER FABRIC

1090430 FABRIC, SPKR CLOTH CREPE BUFF #18994 1/8"FB
 (INTERIOR PKG A, B, D)
 931501 FABRIC, SPKR CLOTH CREPE SAND #17027 1/8"FB
 (INTERIOR PKG C)

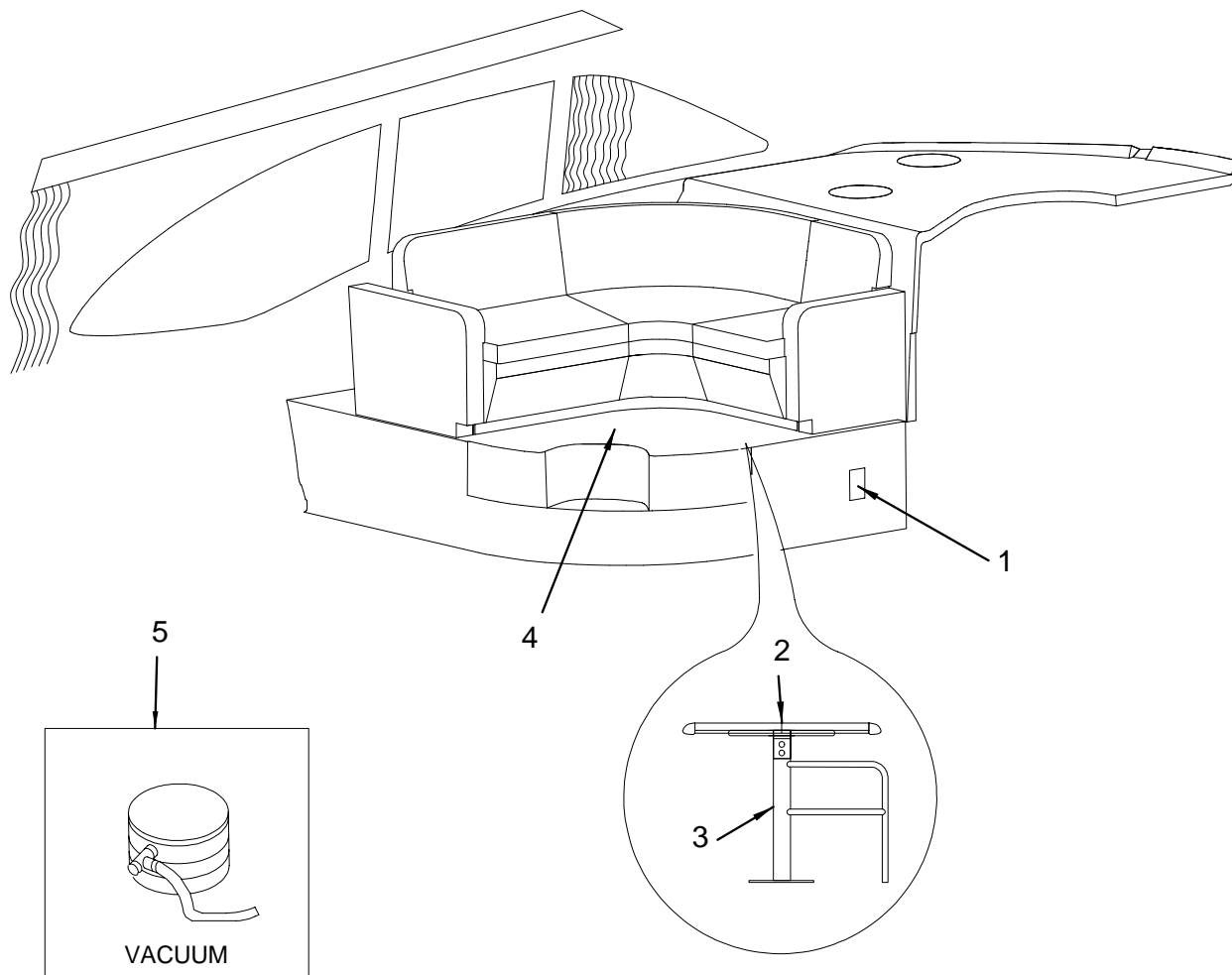
STORAGE & BUNK TOPS

1128487 FABRIC, GEOMETRIC STRAW (NDLPNCH) W/BACK
 4 1745358 STANCHION, SS 420/500DB GLY BRKFST BAR GLS 2"

NOT SHOWN

123596 CLAMP, HOSE #152 2 5/16"-10" SS
 (HULL#501->569)
 132100 TUBE, ALUM RECT 1"X 2"
 1684197 FLOORING, SANTOS CABREUVA MAHOGANY
 1750558 THRESHOLD, SS 420DB-04 GALLEY
 180109 COVER PLATE, BILGE BOX 4"X 4" BRN PHENOLIC
 180513 BOX, BILGE OUTLET PVC 4" X 4"
 186239 BRACKET, ALUM 1.5"X 1.5"X 3"
 188391 CLIP, XMAS TREE
 192492 CONN, ROMEX PLAS 1/2"
 198465 BRACKET, ALUM 1/8"X 3/4"X 1.5"X 3"L SUPPORT
 212985 SNAP CAP, PLAS BLK
 257238 WEBBING, POLYPROPYLENE 1" WHITE
 263939 J-MOLD, ALUM 1/4"X 16' (23/32" X 5/16")
 498014 SNAP CAP, WASHER COUNTERSUNK 8/8-CSK
 595108 SNAP BUTTON, W/ 5/16" BARREL SILVER

DINETTE



DINETTE

- 1 1741009 COVER PLATE, IDEA-SERIES 2OR3-GANG NKL RONDO
- 893289 FRAME, IDEA-SERIES 3-GANG SUPPORT FRAME GREY
- 893230 SWITCH, IDEA-SERIES SPST GREY
- 894626 SWITCH, IDEA-SERIES SPDT GREY
- 2 1750385 CHERRY, TBL 420DB-04 DIN FOLDING FINISHED
- 1750747 MAPLE, 420DB-04 DIN FOLDING TBL FINISHED
(MAPLE FINISH)
- 1802484 PLATE, ALUM BACKING 420DB TBL PEDESTAL
(HULL#590->UP)
- 1773067 PLATE, BACKING 420DB TBL PEDESTAL
(HULL#501->589)
- 3 1750563 SUPPORT, SS 420DB-04 DIN TBL W/HDWR
- 4 1684197 FLOORING, SANTOS CABREUVA MAHOGANY
- 5 1690898 VACUUM, CENTRAL SYS 110V WET/DRY #35
(HULL#530->UP) (VACUUM SYSTEM, CENTRAL - BEAM -
120V/60)
- 1314376 VACUUM, CENTRAL SYS 110V W/INST KIT #34
(HULL#502->529) (VACUUM SYSTEM, CENTRAL - BEAM -
120V/60)
- 1788977 VACUUM, CENTRAL SYS 220V W/INST KIT #35
(HULL#538->UP) (VACUUM SYSTEM, CENTRAL - BEAM -
220V/50)
- 1314384 VACUUM, CENTRAL SYS 220V W/INST KIT #34
(HULL#501->532) (VACUUM SYSTEM, CENTRAL - BEAM -
220V/50)
- 770362 VACUUM, INLET BISQUE W/WIRES
(VACUUM SYSTEM, CENTRAL - BEAM - 120V/60)
(VACUUM SYSTEM, CENTRAL - BEAM - 220V/50)
- 770354 VACUUM, HOSE 20' W/ATTACHMENTS
(VACUUM SYSTEM, CENTRAL - BEAM - 120V/60)
(VACUUM SYSTEM, CENTRAL - BEAM - 220V/50)
- 774679 VACUUM, HOSE 40' VINYL GREY 2"ID FLEX
(VACUUM SYSTEM, CENTRAL - BEAM - 120V/60)
(VACUUM SYSTEM, CENTRAL - BEAM - 220V/50)
- 824763 VACUUM, CLAMP COUPLING W/HDWR
(VACUUM SYSTEM, CENTRAL - BEAM - 120V/60)
(VACUUM SYSTEM, CENTRAL - BEAM - 220V/50)
- 770370 VACUUM, WALL MTG BRKT/ADAPTER
(VACUUM SYSTEM, CENTRAL - BEAM - 120V/60)
(VACUUM SYSTEM, CENTRAL - BEAM - 220V/50)
- 770388 VACUUM, TEE 90DEG
(VACUUM SYSTEM, CENTRAL - BEAM - 120V/60)
(VACUUM SYSTEM, CENTRAL - BEAM - 220V/50)
- 899740 BAG, VACUUM REPL FOR MDL #'S 99501/99502
(VACUUM SYSTEM, CENTRAL - BEAM - 120V/60)
(VACUUM SYSTEM, CENTRAL - BEAM - 220V/50)
- 261354 CLAMP, LOOM VINYL DIP #38 2 3/8"
- 123513 CLAMP, HOSE #32 1 9/16"-2.5" SS

LABELS

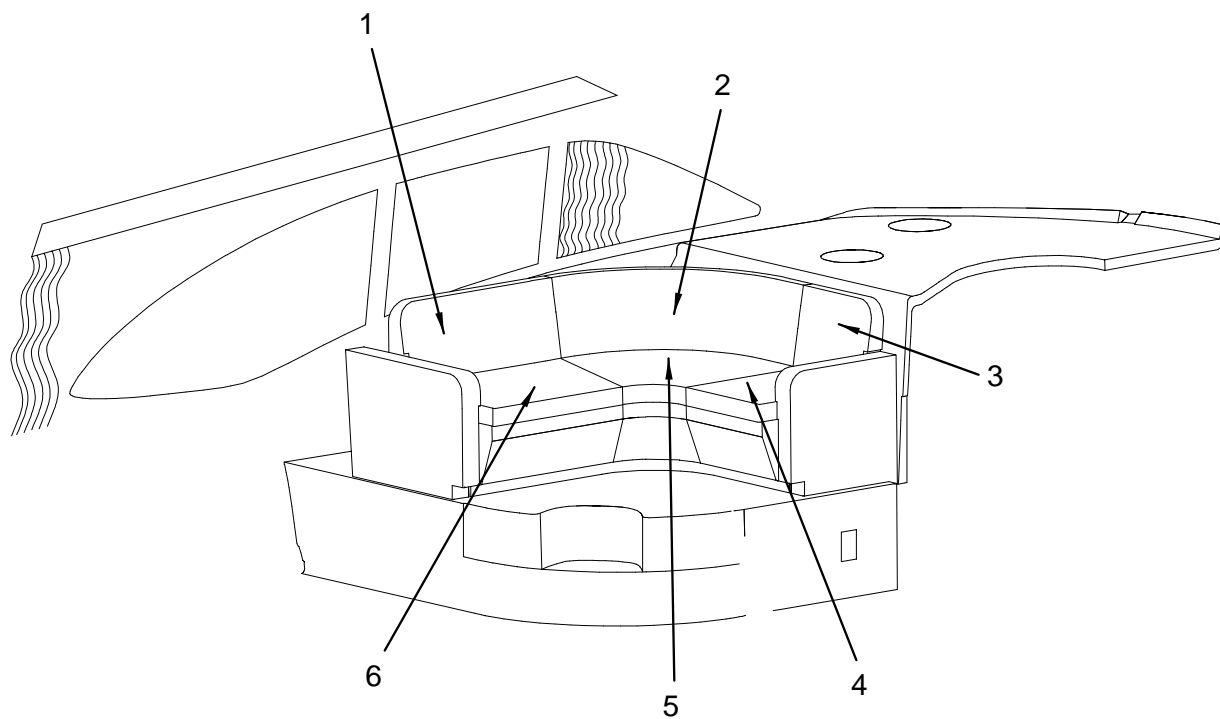
- 1617125 LABEL, WIRE HARNESS (BRADY)

NOT SHOWN

- 136853 NOSING, ALUM 5/8"X 12' T-1 ROUNDED BRITE BUFF
- 198465 BRACKET, ALUM 1/8"X 3/4"X 1.5"X 3"L SUPPORT
- 558031 BUMPER, CLEAR SMALL ROUND
- 265983 FUSE, BLADE TYPE ATO 10A
- 520668 FUSE, BLADE TYPE CLOSED 3A
- 706721 FUSE, BLADE TYPE ATC 1A
- 706721 FUSE, BLADE TYPE ATC 1A

DINETTE (UPHOLSTERY)

FOR CURTAINS AND BLINDS
SEE SALON UPHOLSTERY SECTION



DINETTE (UPHOLSTERY)

1	1775780	420DB 05,B/R,AFT DIN
	1775781	420DB 05,B/R SKN,AFT DIN
	1750898	FOAM, P/C 420DB-04 DINETTE (19)
2	1775782	420DB 05,B/R,CTR DIN
	1775783	420DB 05,B/R SKN,CTR DIN
	1750898	FOAM, P/C 420DB-04 DINETTE (19)
3	1775784	420DB 05,B/R,FWD DIN
	1775785	420DB 05,B/R SKN,FWD DIN
	1750898	FOAM, P/C 420DB-04 DINETTE (19)
4	1775786	420DB 05,CUSH,FWD DIN
	1775787	420DB 05,CUSH SKN,FWD DIN
	1750898	FOAM, P/C 420DB-04 DINETTE (19)
5	1775788	420DB 05,CUSH,CTR DIN
	1775789	420DB 05,CUSH SKN,CTR DIN
	1750898	FOAM, P/C 420DB-04 DINETTE (19)
6	1775790	420DB 05,CUSH,AFT DIN
	1775791	420DB 05,CUSH SKN,AFT DIN
	1750898	FOAM, P/C 420DB-04 DINETTE (19)

CARPET

1467174	CARPET, INT 44 OZ WHEATON 12"W 100% BCF BT (INT PKG A, B, D)
1467158	CARPET, INT 44 OZ SNOW 12"W 100% BCF BT (INT PKG C)
1468164	CARPET, INT 44 OZ WHEATON 12"W 100% BCF KB (INT PKG A, B, C)
1468172	CARPET, INT 44 OZ SNOW 12"W 100% BCF KB (INT PKG D)

CURTAIN PACKAGE COMPLETE

1778461	CURTAIN, 420DB-05 PKGA-NYSE 4PC ST (INT PKG A, C)
1774163	CURTAIN, 420DB-05 PKGB-MARV SAFFRON 4PC PNL (INT PKG B)
1778463	CURTAIN, 420DB-05 PKGD-BROADCAST CDR 4PC ST (INT PKG D)
1778462	CURTAIN, 420DB-05 PKGC-COLTRANE TAUPE 4PC ST (INTERIOR PACKAGE C UP-CHARGE)

FABRICS

1180744	VINYL, ULTRALTHR PECAN 3778 (A. SALON-DISTRESSED LASSO,DINETTE -PECAN)
1770257	FABRIC, ULTRALEATHER CURRY FLAT (B. SALON-DISTRESSED WAYLAN, DINETTE-CURRY)
1228352	FABRIC, ULTRALEATHER MILKWEED #3455 (C.SALON-TUMBLEWEED OSTRICH,DINETTE-MILKWEED)
1752459	FABRIC, ULTRALEATHER OSTRICH SWISS CAFE (D. SALON-PECAN, DINETTE-SWISS CAFE OSTRICH)

HEADLINER/HULL LINER/WASHABLE SURFACE

1091743	VINYL, ALLANTE II CHAMPAGNE EXP 1/4"F/B DOW (INT PKG A, B, D)
986810	VINYL, ALLANTE II SEA OYSTER EXP 1/4"F/B DOW (INT PKG C)

STORAGE & BUNK TOPS

1128487	FABRIC, GEOMETRIC STRAW (NDLPNCH) W/BACK
---------	--

LABELS

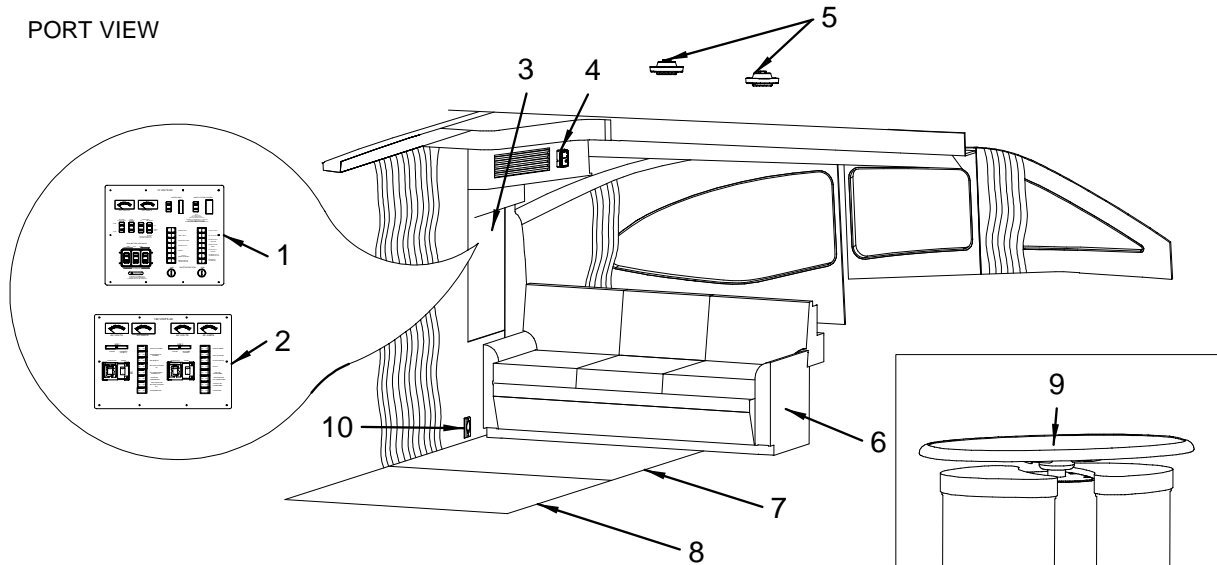
1454073	LABEL, SEW-IN "DRY CLEAN ONLY"
---------	--------------------------------

NOT SHOWN

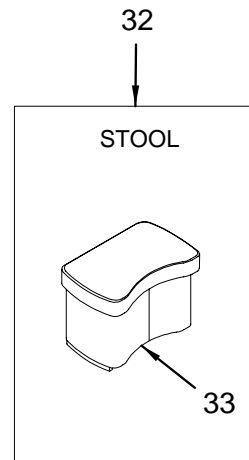
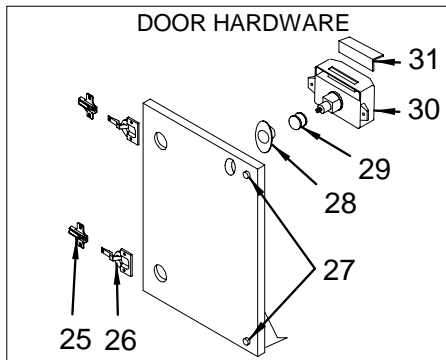
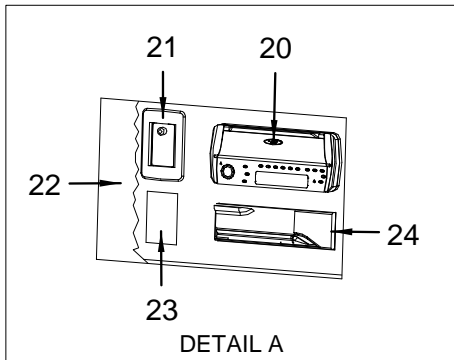
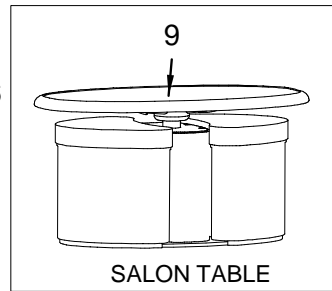
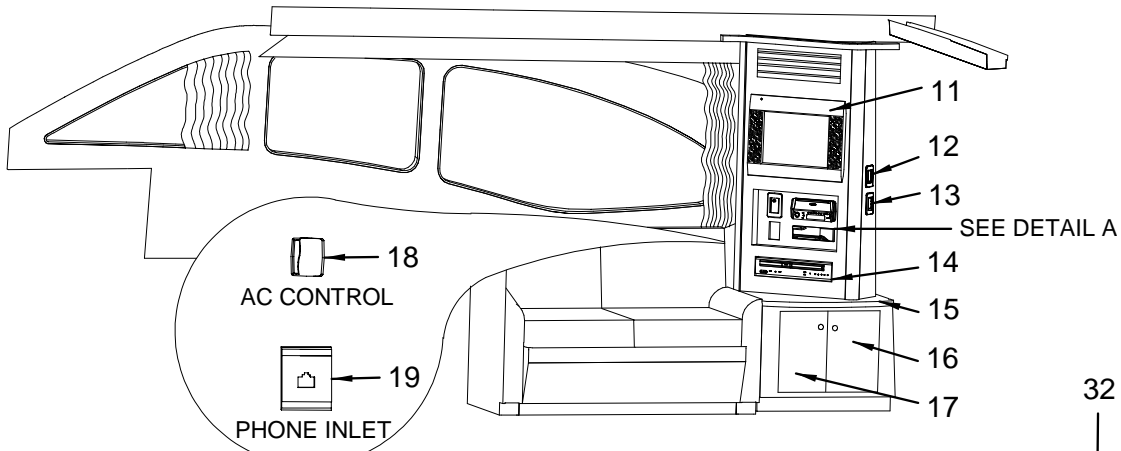
156901	WELT, WELT CORD SYNTHETIC 5/32" X 1000'
167171	DACRON, CUMULUS 3/4OZ X 27"W
178491	VELCRO, LOOP BLK 2" SEW-ON
178509	VELCRO, HOOK BLK 2"
268466	FABRIC, DYMETROL
773630	MESH, WHITE 54"

SALON

PORT VIEW



STBD VIEW



SALON

1	1742801	PANEL, 420DB-04 DC DIST ASSY DSL	11	145078	COVER PLATE, SGL DUPLEX RECEIPT BRN (HULL#501->548)	
	1752290	PANEL, BLANK:420DB-04 DC DIST 12V DSL		1787507	RECEPTACLE, DUPLEX BRN 15A LVT (HULL#532->UP)	
2	1752129	PANEL, 420DB-04 MAIN DIST 120VAC		145094	RECEPTACLE, DUPLEX BRN 15A (HULL#502->531)	
	1752128	PANEL, BLANK:420DB-04 MAIN DIST 120VAC		180463	BOX, RECEPTACLE HANDY DUPLEX METAL	
3	1752809	DOOR, PLEX 420DB-04 MDP W/HNGS BRNZ 3/8" P/E	12	1741009	COVER PLATE, IDEA-SERIES 2OR3-GANG NKL RONDO	
	653840	PULL, GLASS DOOR BLK FINGER PULL		893289	FRAME, IDEA-SERIES 3-GANG SUPPORT FRAME GREY	
	228338	HINGE, GLASS DOOR NON-BORE PIVOT (PAIR)		893230	SWITCH, IDEA-SERIES SPST GREY	
	1689824	HINGE, AL CONT FORM/DBL 1.25"X 18" BLK		893263	SWITCH, BLANK IDEA-SERIES GREY	
4	1781228	MONITOR, CO DETECTOR WHT CMD-4 (HULL#519->UP)		975011	SWITCH, BLANK IDEA-SERIES WHT (220V)	
	1433713	MONITOR, CO DETECTOR GRY (HULL#501->518)		894626	SWITCH, IDEA-SERIES SPDT GREY	
	1782156	PLATE, CO MONITOR BACKING WHT (CMD-4) (HULL#519->UP)	13	1741009	COVER PLATE, IDEA-SERIES 2OR3-GANG NKL RONDO	
	1446699	PLATE, CO MONITOR BACKING GREY (HULL#501->518)		893289	FRAME, IDEA-SERIES 3-GANG SUPPORT FRAME GREY	
	894626			894626	SWITCH, IDEA-SERIES SPDT GREY	
5	1742138	LIGHT, DAVID-EYEBALL SAT/NCKL RING/FRST LENS		894634	SWITCH, IDEA-SERIES SPST LUMINOUS GREY	
	1448463	BULB, XENON 12V/10W		931170	LIGHT, INDICATOR 24V INCAN SIGNALING W/LEADS	
6	1781839	CHERRY, P/C 420DB-05 SOFA INSERT LEFT	14	1784875	DVD, ZENITH DVB412 DVD/CD PLAYER (HULL#508->UP)	
	1781841	CHERRY, P/C 420DB-05 SOFA INSERT RIGHT		1799569	REMOTE, ZENITH DVB412 DVD/CD PLAYER (HULL#508->UP)	
	1798744	DK CHERRY, P/C 420DB-05 SOFA INSERT LEFT (HULL#581->UP)(DARK CHERRY FINISH)		1752517	DVD, ZENITH DVB312 DVD/CD PLAYER (HULL#501->507)	
	1798745	DK CHERRY, 420DB-05 SOFA INSERT RIGHT (HULL#581->UP)(DARK CHERRY FINISH)		1799568	REMOTE, ZENITH DVB312 DVD/CD PLAYER (HULL#501->507)	
	1781840	DK CHERRY, P/C 420DB-05 SOFA INSERT LEFT (HULL#512->575) (DARK CHERRY FINISH)		1801047	DVD, DVD/VCR COMBO W/KAR MULTI-SYS ZONEFREE (HULL#605->UP) (220V)	
	1781842	DK CHERRY, P/C 420DB-05 SOFA INSERT RIGHT (HULL#581->UP)(DARK CHERRY FINISH)		1806806	REMOTE, DVD/VCR COMBO W/KAR MULTI-SYS ZONEFREE (HULL#605->UP) (220V)	
	1084482	FRAME, 560DB-98 SLEEPER SOFA DLX FULL 52" (SOFA, WITH PULL OUT BED - PORT)		1757870	DVD, DVD/VCR COMBO 110/240 MULTI-SYS ZONEFREE (HULL#501->602) (220V)	
7	1787019	420DB 05,HATCH,PRT ACCESS SLN BLG FBRGLS		1806807	REMOTE, DVD/VCR COMBO 110/240 MULTI-SYS ZNFRE (HULL#501->602) (220V)	
	634592	BRACKET, SS GAS CYL FLAT W/BALL STUD		15	1781617	TOP, KARADON 420DB-05 SLN STBD LUMINOUS GOLD
	732792	BRACKET, SS GAS CYL 90DEG 2.062" W/STUD		1781618	TOP, KARADON 420DB-05 SLN STBD CANDLE GLOW (CANDLE GLOW - GALLEY / HEAD COUNTER TOWS)	
	813980	CYLINDER, GAS 80PSI 20"EXT X 12"COMP		16	1775777	420DB 05,DOOR,SLN PRT AFT
	962217	HINGE, SS CONT 3"X 48"		17	1775778	420DB 05,DOOR,SLN PRT FWD
	1690323	PULL, FLUSH HATCH SS T-HNDL W/EMRG HNDL ROUND		18	1604271	A/C COMP, DISPLAY ECU BLK W/3/4" DOOR
	1396142	MOLDING, FOAM RBR "D-SHAPE" 1.75" W/HAT ADH		1055821	A/C COMP, FACE PLATE FOR CONTROL BLK	
	1742542	BRACE, ALUM 420DB-04 SLN LINER HTCH SUPPORT		1666668	A/C COMP, GRILL 8X4 BLK	
	1480813	LATCH, FLUSH MOUNT ROUND T-HNDL SS W/PAWL		1690955	A/C COMP, CABLE INTERCONNECT 60'	
	1750667	PLATE, LDPVC 420DB-04 SLN LNR FLR ACCESS	19	893255	INLET, IDEA-SERIES PHONE GRY	
	1751820	CLEAT, HDPE 3/4"X 1.25"X 3" ARCWHT		952010	FRAME, IDEA-SERIES 1-GANG SUPPORT W/RIBS	
8	1775776	420DB 05,HATCH,STB ACCESS SLN BLG FBRGLS		1741008	COVER PLATE, IDEA-SERIES 1-GANG NKL RONDO	
	634592	BRACKET, SS GAS CYL FLAT W/BALL STUD		20	1751777	STEREO, AM/FM CD PLAYER W/CHNGR CNTRL SIR SAT
	732792	BRACKET, SS GAS CYL 90DEG 2.062" W/STUD		533919	TRAY, COMPACT DISC ORGANIZER	
	813980	CYLINDER, GAS 80PSI 20"EXT X 12"COMP		1782017	STEREO, AMP CLARION APX480M (HULL#505->UP)	
	962217	HINGE, SS CONT 3"X 48"		1598853	STEREO, AMP CLARION APX400 4M (HULL#501->504)	
	1396142	MOLDING, FOAM RBR "D-SHAPE" 1.75" W/HAT ADH		1767698	STEREO, AMP MARINE AUDIO MAA402 12V	
	1742542	BRACE, ALUM 420DB-04 SLN LINER HTCH SUPPORT		1750880	CABLE, RCA AUDIO 6' W/EFX-2 CONN W/NOISE SUPP	
	1480813	LATCH, FLUSH MOUNT ROUND T-HNDL SS W/PAWL		1750878	CABLE, RCA AUDIO 20' W/EFX-2 CONN W/NOISE SUP	
	1750667	PLATE, LDPVC 420DB-04 SLN LNR FLR ACCESS		1689255	ANTENNA, EXTENSION 12' STEREO CABLE	
	1751820	CLEAT, HDPE 3/4"X 1.25"X 3" ARCWHT		1363027	ANTENNA, EXTENSION 25' STEREO CABLE	
9	1757728	TABLE TOP, SPYCHT SLN SQ N/LIP FNSHD CHERRY (SALON TABLE)	21	1180041	ANTENNA, TV AMP W/SHIP/SHORE A/B SW 12/24VDC	
	1757731	TABLE TOP, SPYCHT SLN SQ N/LIP FNSHD MAPLE (SALON TABLE W/ MAPLE FINISH)	22	1719068	DOOR, PLEX 420DB-04 SLN ENT/CTR BRNZ 1/4" P/E	
	1690313	POST, TBL LEG 17.5"-27.5" W/GAS CYL 2 7/8" DIA (SALON TABLE)		228338	HINGE, GLASS DOOR NON-BORE PIVOT (PAIR)	
	1727530	BASE, TBL ELLIP W/CHAMFERED EDGE ANOD (SALON TABLE)		653840	PULL, GLASS DOOR BLK FINGER PULL	
	1473818	MOUNT, TBL SUPPORT (SALON TABLE)		1683507	CATCH, DBL MAGNETIC BLK PLAS SCREW MNT	
	1727530	BASE, TBL ELLIP W/CHAMFERED EDGE ANOD (SALON TABLE)	23	893289	FRAME, IDEA-SERIES 3-GANG SUPPORT FRAME GREY	
10	1776485	VACUUM, INLET BISQUE N/WIRES (VACUUM SYSTEM, CENTRAL - BEAM - 120V/60) (VACUUM SYSTEM, CENTRAL - BEAM - 220V/50)		1741009	COVER PLATE, IDEA-SERIES 2OR3-GANG NKL RONDO	
11	1733836	TELEVISION, 20" ZENITH LCD		893230	SWITCH, IDEA-SERIES SPST GREY	
	1801843	REMOTE, TV 20"ZENITH LCD		893263	SWITCH, BLANK IDEA-SERIES GREY	
	1798963	TELEVISION, 20" SHARP LCD LC20SH1E 220V (HULL#538->UP) (220V)		975011	SWITCH, BLANK IDEA-SERIES WHT (220V)	
	1806613	REMOTE, TV 20"SHARP LCD LC20SH1E 220V (HULL#538->UP) (220V)	24	1733835	STEREO, CD CHANGER 6-DISC DCZ625 C-NET	
	1757867	TELEVISION, 20" SHARP LCD PANEL 220V (REMOTE NOT SOLD SEPARATELY) (HULL#508->532) (220 VOLT / 50 CYCLE ELECTRICAL SYSTEM) (110V/60 - FOR INT'L ENTERTAINMENT EQUIPMENT)		1122357	STEREO, CD (6 DISC) MAGAZINE CLARION	
	1767757	ADAPTER, UK TO US (110V/60 - FOR INT'L ENTERTAINMENT EQUIPMENT)		1689511	STEREO, LIFESTYLE 35 MUSIC SYS (BOSE LS35/DVD ACCOUSTIMAS FWD STRM-120V/60)	
	637058	CONN, COAX EURO TV ADAPTER "F" TYPE (110V/60 - FOR INT'L ENTERTAINMENT EQUIPMENT)		1734108	STEREO, REMOTE CNTRL BOSE LIFESTYLE 35 SYSTEM (BOSE LS35/DVD ACCOUSTIMAS FWD STRM-120V/60)	
	677047	ADAPTER, EURO TV (110V/60 - FOR INT'L ENTERTAINMENT EQUIPMENT)		1227586	STEREO, LIFESTYLE 20/30/35/50 CUBE SPKR (BOSE LS35/DVD ACCOUSTIMAS FWD STRM-120V/60)	
	694307	SPLITTER, TV/FM 4-WAY		1734037	SPEAKER, REFER TO MRP #1227586 (BOSE LS35/DVD ACCOUSTIMAS FWD STRM-120V/60)	
	1787508	COVER PLATE, SGL DUPLEX RECEIPT BRN LVT (HULL#549->UP)		1734038	DVD, CD/DVD PLAYER LIFESTYLE 35 (BOSE LS35/DVD ACCOUSTIMAS FWD STRM-120V/60)	
				1787651	DVD, CD/DVD PLAYER LIFESTYLE 35 (SUPPART CHG) (BOSE LS35/DVD ACCOUSTIMAS FWD STRM-120V/60)	
				1734105	CABLE, AUDIO INPUT LIFESTYLE 35 MUSIC SYSTEM (BOSE LS35/DVD ACCOUSTIMAS FWD STRM-120V/60)	

24	1734109	STEREO, LIFESTYLE 35 BASS MODULE BLK (BOSE LS35/DVD ACCOUSTIMAS FWD STRM-120V/60)
25	1689249	HINGE, CONCEALED FULL OVERLAY MT PLT CLIP .01
26	1689248	HINGE, SELF CLOSING 3MM CLIP-ON
27	663708	BUMPER, CLEAR .020" THICK
28	1742137	PULL, ROSETTE SAT/NCKL OVAL 19MM
29	1742136	PULL, PUSH-BUTTON KNOB SAT/NCKL
30	772418	CATCH, RIM-LOCK WHT
	1132380	CATCH, RIM-LOCK WHT (SHIM ONLY)
31	761445	CATCH, RIM-LOCK STRIKE PLATE
32	1788221	420DB 05,STOOL,CMPLT SLN (CHERRY)(STOOLS)
33	1788234	420DB 05,STOOL,BASE ONLY SLN CHERRY (STOOLS)
	1733881	BASE, HDPE 480MY/DB/400DB SLN OTTO FT BLK (STOOLS)

LABELS

1450915	LABEL, 7/16"X 7/8" CABIN STEREO
1746897	LABEL, 7/16"X 7/8" INDIRECT
1746898	LABEL, 7/16"X 7/8" CKPT
1751883	LABEL, 7/16"X 7/8" SALON
1752845	LABEL, 7/16"X 7/8" BILGE
1764402	LABEL, 7/16"X 7/8" CKPT STEREO CHG ADH/SUBSTR

MICA

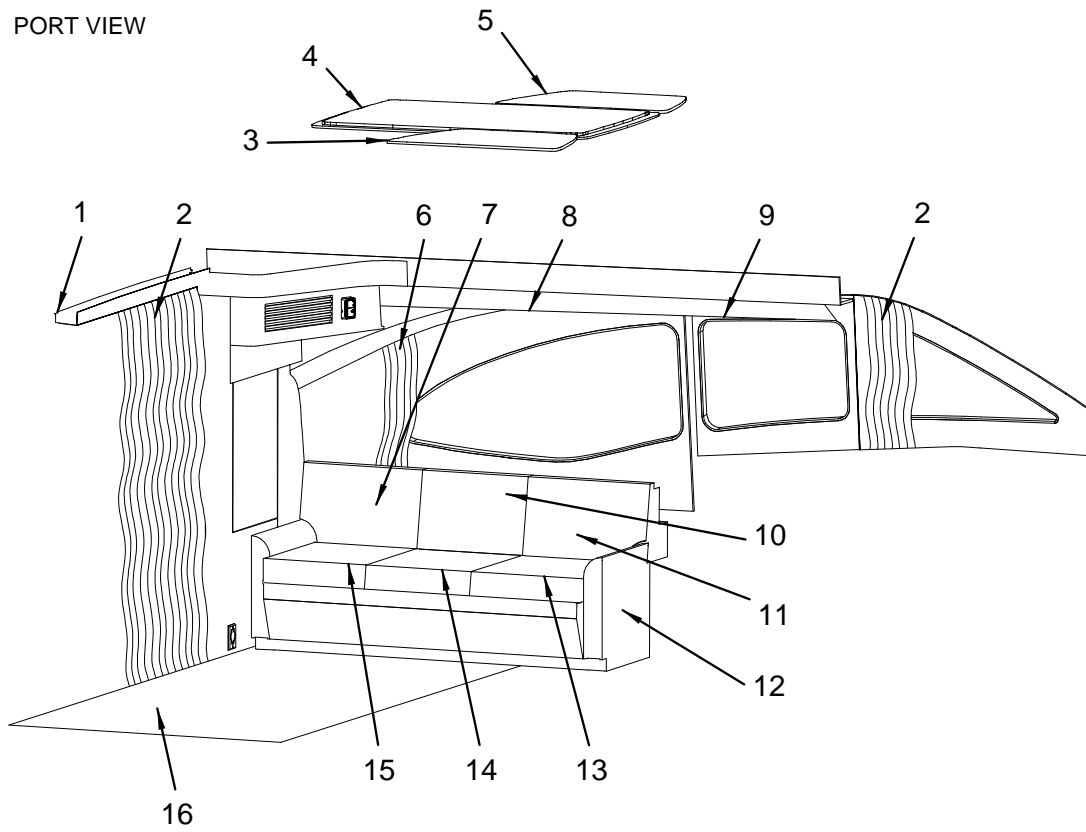
1756273	CHERRY, VENEER (4X8) LIGNAPAL #165/65 GLOSS
1770321	DK CHERRY, VENEER (4X8) LIGNAPAL #164/25 SATN (DARK CHERRY FINISH)

NOT SHOWN

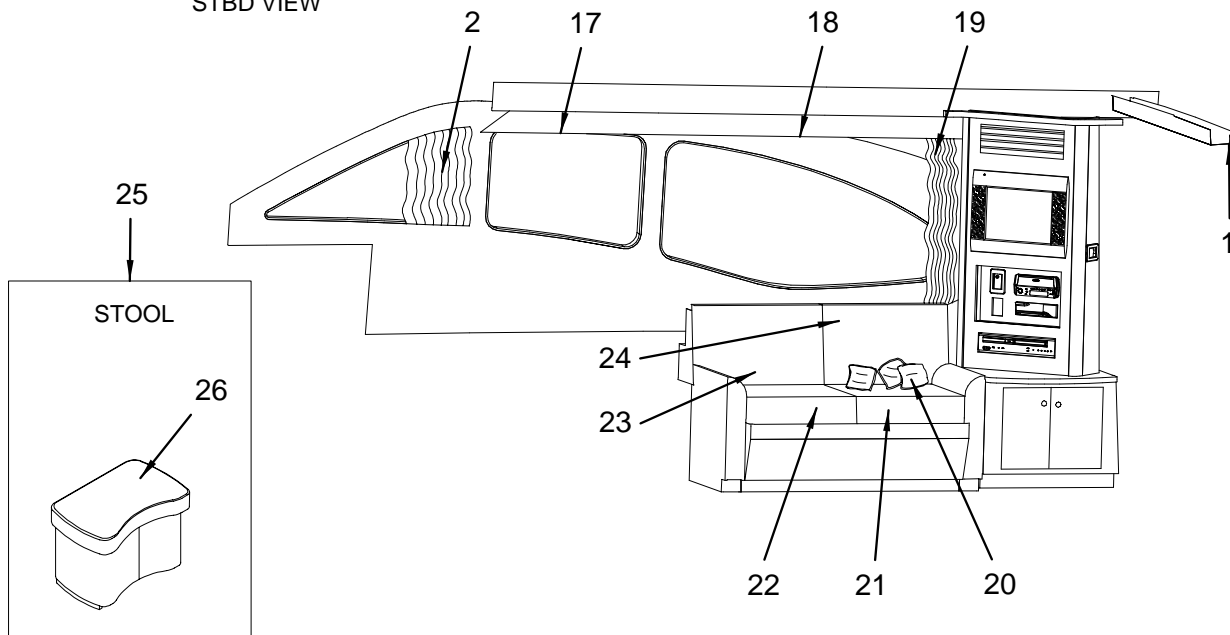
129247	BAR, ALUM FLAT 1/8"X 2"X 12"
1690557	SPEAKER, COAXIAL 6.5" N/CVR
1717332	GRILL, SPEAKER 6.5" ACOM BLK
1742765	COVER, P/B 420DB-04 SLN/DECK LINER GAP
1750666	FILLER, HDPE 420DB-04 SLN FLR LINER ANW
1752593	THRESHOLD, SS 420DB-04 SLN ENTRYWAY
186221	BRACKET, ALUM 1.5"X 1.5"X 1.5"SUPPORT
186239	BRACKET, ALUM 1.5"X 1.5"X 3"
188391	CLIP, XMAS TREE
609883	CLEAT, PLAS 3/4"X 1"X 4" GREY
829739	CLEAT, HDPE 3/4"X 3/4"X 5" DKGRY
960120	HINGE, SS CONT 3"X 20"
198663	HINGE, AL CONT FORM/SGL 1.25"X 72" BLK
724930	SNAP CAP, PRESS-ON COVER #2 PHILLIP ALMOND
1772626	CAP, RUBBER .225"X 3/4"X .040 THICKNESS BLUE

SALON (UPHOLSTERY)

PORT VIEW



STBD VIEW



SALON (UPHOLSTERY)

1	1775794	420DB 05,MUFF,ENTRY DOOR AFT
2	1771972	CURTAIN, 420DB-05 PKGA-NYSE SLN
	1771987	CURTAIN, 420DB-05 PKGB-MARVELOUS SAFFRON
	1774164	CURTAIN, 420DB-05 PKGC-COLTRANE TAUPE SLN
	1772005	CURTAIN, 420DB-05 PKGD-BROADCAST CDR SLN
	1778462	CURTAIN, 420DB-05 PKGC-COLTRANE TAUPE 4PC ST (INTERIOR PACKAGE C UP-CHARGE)
	132183	TRACK, ALUM CURT TRK 0.275"X 0.688" TAB TYPE
3	1775792	420DB 05,MUFF,LIGHT INSERT STB SLN
4	1775793	420DB 05,MUFF,LIGHT INSERT CTR SLN
5	1775814	420DB 05,MUFF,INSERT PRT SLN
6	1775779	420DB 05,CURTAIN,PRT SLN AFT 1EA
7	1775815	420DB 05,B/R,PRT AFT SOFA SLN
	1775816	420DB 05,B/R SKN,PRT AFT SLN SOFA
	1742625	FOAM, P/C 420DB-04 SLN PRT SOFA (13PC)
8	1782105	BLINDS, 420DB-05 WOOD CHERRY 1"SLT SLN PRTAFT
9	1782106	BLINDS, 420DB-05 WOOD CHERRY 1"SLT SLN PRTFWD
10	1775817	420DB 05,B/R,PRT CTR SOFA SLN
	1775818	420DB 05,B/R SKN,PRT CTR SLN SOFA
	1742625	FOAM, P/C 420DB-04 SLN PRT SOFA (13PC)
11	1775819	420DB 05,B/R,PRT FWD SOFA SLN
	1775820	420DB 05,B/R SKN,PRT FWD SLN SOFA
	1742625	FOAM, P/C 420DB-04 SLN PRT SOFA (13PC)
12	1084631	MATTRESS, 560DB-98 INNER-SPRING DLX FULL SOFA (SOFA, WITH PULL OUT BED - PORT)
13	1775822	420DB 05,CUSH,PRT FWD SLN
	1775821	420DB 05,CUSH SKN,PRT FWD SLN
	1742625	FOAM, P/C 420DB-04 SLN PRT SOFA (13PC)
14	1775823	420DB 05,CUSH,PRT CTR SLN
	1775824	420DB 05,CUSH SKN,PRT CTR SLN
	1742625	FOAM, P/C 420DB-04 SLN PRT SOFA (13PC)
15	1775825	420DB 05,CUSH,PRT AFT SLN
	1775826	420DB 05,CUSH SKN,PRT AFT SLN
	1742625	FOAM, P/C 420DB-04 SLN PRT SOFA (13PC)
16	1775795	420DB 05,CARPET,CMPLT SNPN SLN
17	1782108	BLINDS, 420DB-05 WOOD CHERRY 1"SLT SLN STBFW
18	1782107	BLINDS, 420DB-05 WOOD CHERRY 1"SLT SLN STBAFT
19	1775854	420DB 05,CURTAIN,STB SLN AFT 1EA
20	1774235	PILLOW PKG, 2005 SPYT PKGA SLN (2) NEUTRAL
	1774242	PILLOW PKG, 2005 SPYACHT PKGB SLN (2)
	1774246	PILLOW PKG, 2005 SPYACHT PKGC SLN (2)
	1774267	PILLOW PKG, 2005 SPYACHT PKGD SLN (2)
21	1775797	420DB 05,CUSH,SOFA STB AFT SLN
	1775798	420DB 05,CUSH SKN,SOFA STB AFT SLN
	1747029	FOAM, P/C 420DB-04 SLN STBD SOFA (10PC)
22	1775799	420DB 05,CUSH,SOFA STB FWD SLN
	1775800	420DB 05,CUSH SKN,SOFA STB FWD SLN
	1747029	FOAM, P/C 420DB-04 SLN STBD SOFA (10PC)
23	1775801	420DB 05,B/R,SOFA STB FWD SLN
	1775802	420DB 05,B/R SKN,SOFA STB FWD SLN
	1747029	FOAM, P/C 420DB-04 SLN STBD SOFA (10PC)
24	1775803	420DB 05,B/R,SOFA STB AFT SLN
	1775804	420DB 05,B/R SKN,SOFA STB AFT SLN
	1747029	FOAM, P/C 420DB-04 SLN STBD SOFA (10PC)
25	1788221	420DB 05,STOOL,CMPLT SLN (CHERRY) (STOOLS)
26	1788236	420DB 05,CUSH,STOOL SLN (STOOLS)
	1788237	420DB 05,CUSH SKN,STOOL SLN (STOOLS)
	1752467	FABRIC, ULTRALEATHER OSTRICH MUSLIN #333-3964 (STOOLS)
	1690340	FOAM, P/C SPYACHT OTTOMAN SEAT (STOOLS)

CARPET

1467174	CARPET, INT 44 OZ WHEATON 12"W 100% BCF BT (INT PKG A, B, D)
1467158	CARPET, INT 44 OZ SNOW 12"W 100% BCF BT (INT PKG C)
1468164	CARPET, INT 44 OZ WHEATON 12"W 100% BCF KB (INT PKG A, B, D)
1468172	CARPET, INT 44 OZ SNOW 12"W 100% BCF KB (INT PKG C)

FABRICS

1764814	VINYL, ULTRALEATHER DISTRESSED LASSO FLAT (A. SALON-DISTRESSED LASSO,DINETTE -PECAN)
1770246	FABRIC, ULTRALEATHER DISTRESSED WAYLAN (B. SALON-DISTRESSED WAYLAN, DINETTE-CURRY)
1773867	FABRIC, ULTRALEATHER OSTRICH TUMBLEWEED (C.SALON-TUMBLEWEED OSTRICH,DINETTE-MILKWEED)

FABRICS (continued)

1180744	VINYL, ULTRALTHR PECAN 3778 (D. SALON-PECAN, DINETTE-SWISS CAFE OSTRICH)
1752467	FABRIC, ULTRALEATHER OSTRICH MUSLIN #333-3964 (STOOLS & SALON TABLE)
1746844	FABRIC, LUCERNE CASHEW FLAT
1762173	FABRIC, ULTRASUEDE DESERT CAMEL 3888 FLAT
268466	FABRIC, DYMETROL
1442466	FABRIC, ULTRASUEDE RIVIERA CHAMOIS 3927 FLAT

HEADLINER/HULL LINER/WASHABLE SURFACE

1091743	VINYL, ALLANTE II CHAMPAGNE EXP 1/4"F/B DOW (PKG A, B, D)
986810	VINYL, ALLANTE II SEA OYSTER EXP 1/4"F/B DOW (PKG C)
1588615	VINYL, ALLANTE II ESPRESSO EXP FLAT
1743522	VINYL, ALLANTE II ESPRESSO EXP 1/4"F/B DOW

MUFF COVER MATERIAL

1442466	FABRIC, ULTRASUEDE RIVIERA CHAMOIS 3927 FLAT
---------	--

SNAP CAPS

498014	SNAP CAP, WASHER COUNTERSUNK 8/8-CSK
1085281	SNAP CAP, PLAS CREAM

SOFA

1752467	FABRIC, ULTRALEATHER OSTRICH MUSLIN #333-3964 (STOOLS & SALON TABLE)
---------	---

STORAGE & BUNK TOPS

1128487	FABRIC, GEOMETRIC STRAW (NDLPNCH) W/BACK
---------	--

WELT

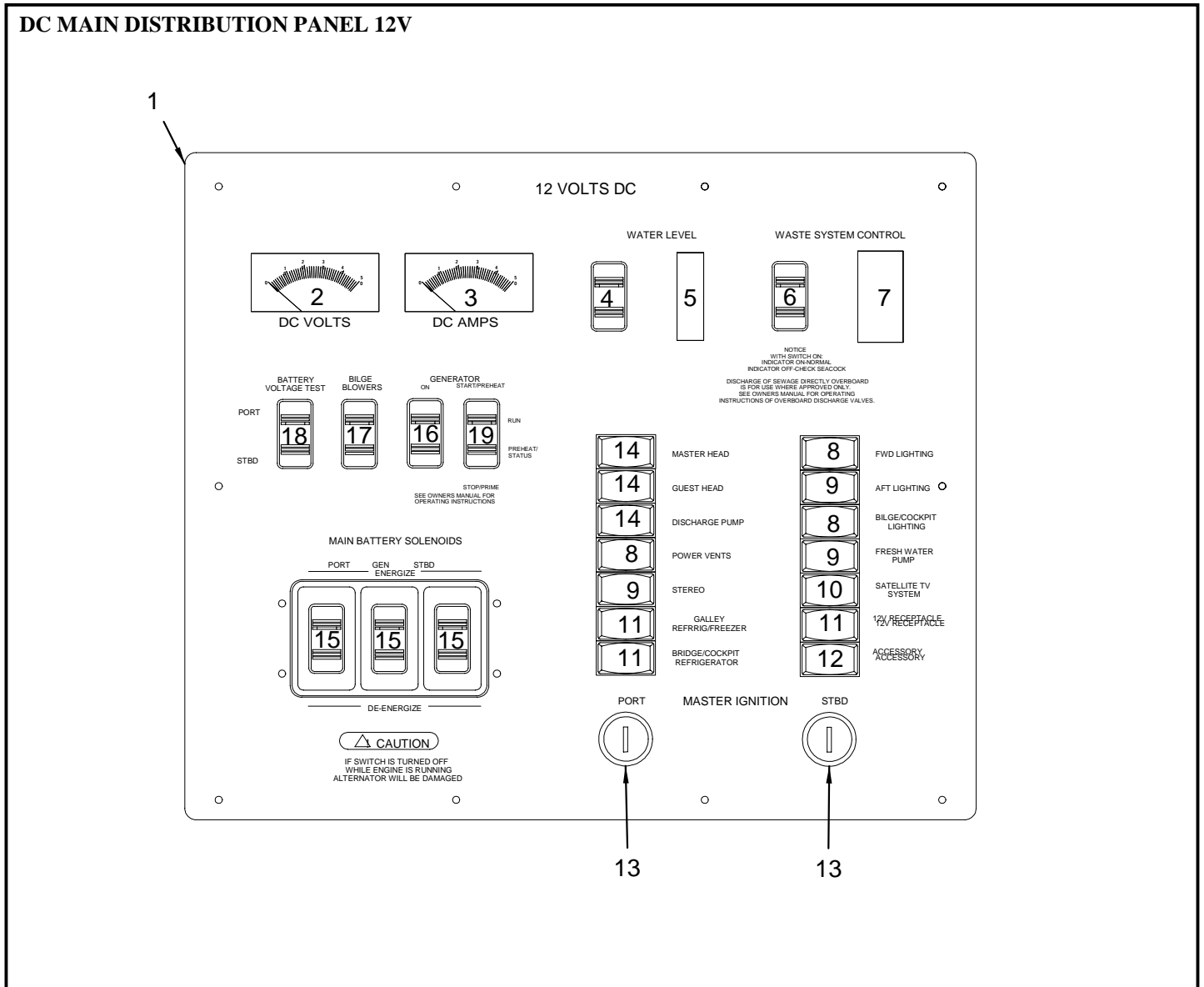
1091750	WELT, ALLANTE II CHAMPAGNE 5/32"
156901	WELT, WELT CORD SYNTHETIC 5/32" X 1000'

LABELS

1454073	LABEL, SEW-IN "DRY CLEAN ONLY"
---------	--------------------------------

NOT SHOWN

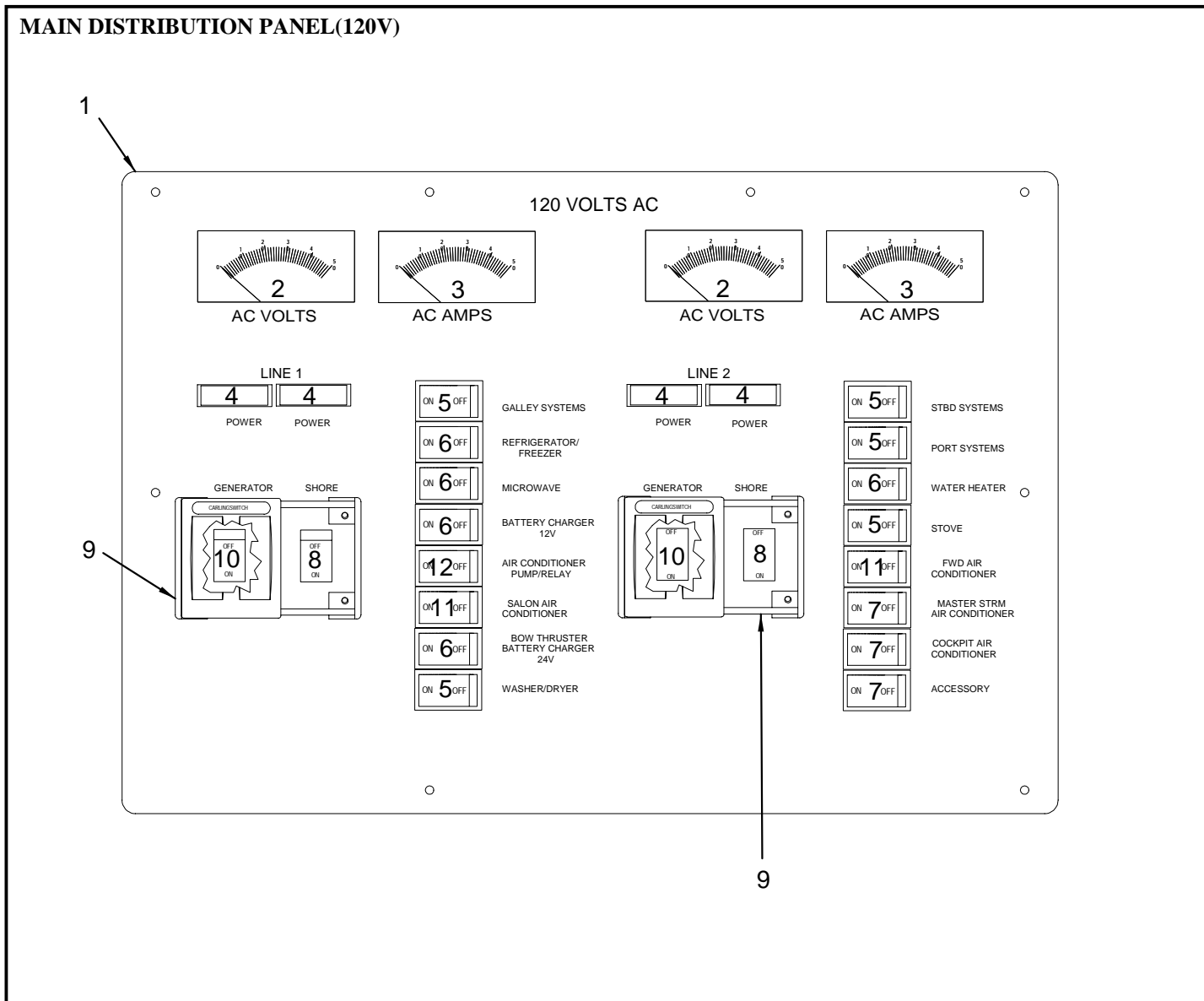
163535	FOAM, ETHAFOAM 3/8"X 1050LF
167171	DACRON, CUMULUS 3/4OZ X 27"W
178491	VELCRO, LOOP BLK 2" SEW-ON
178509	VELCRO, HOOK BLK 2"
773630	MESH, WHITE 54"
877670	TACK STRIP, POLYPROPYLENE 5/8"



DC MAIN DISTRIBUTION PANEL 12V

- 1 1742801 PANEL, 420DB-04 DC DIST ASSY DSL
- 1752290 PANEL, BLANK:420DB-04 DC DIST 12V DSL
- 2 1689919 GAUGE, VOLTMETER DC 8-16 2% ALOG
- 3 1689918 GAUGE, AMMETER DC 0-50 2% SELF CONTAINEDNT
- 4 681486 ACTUATOR, ROCK BLK W/O LENS ACCY
- 679332 BODY, ROCK SW SPST MOM
- 5 806901 INDICATOR, WATER LEVEL 12V
- 6 681619 ACTUATOR, ROCK BLK W/CLEAR LENS ACCY
- 648055 BODY, ROCK SW SPST W/LED 12V
- 7 893800 PANEL, WASTE LEVEL INDICATOR 12V
- 1408517 PANEL, WASTE LEVEL INDICATOR LENS COVER
- 8 352112 BRKR/ROCK, SGL-POLE AC/DC HORZ 20A RED
- 9 355081 BRKR/ROCK, SGL-POLE AC/DC HORZ 25A RED
- 10 351973 BRKR/ROCK, SGL-POLE AC/DC HORZ 5A RED
- 11 352062 BRKR/ROCK, SGL-POLE AC/DC HORZ 15A RED
- 12 432872 PLUG, BRKR/ROCK
- 13 1544188 SWITCH, KEY ASHI DENSO
- 1666171 KEY, MSTR IGN MDB PNL "3103"
- 1666197 KEY, MSTR IGN MDB PNL "3110"
- 1666205 KEY, MSTR IGN MDB PNL "3112"
- 1666213 KEY, MSTR IGN MDB PNL "3113"
- 1666239 KEY, MSTR IGN MDB PNL "3135"
- 1666254 KEY, MSTR IGN MDB PNL "3203"
- 1666262 KEY, MSTR IGN MDB PNL "3210"
- 1666270 KEY, MSTR IGN MDB PNL "3212"

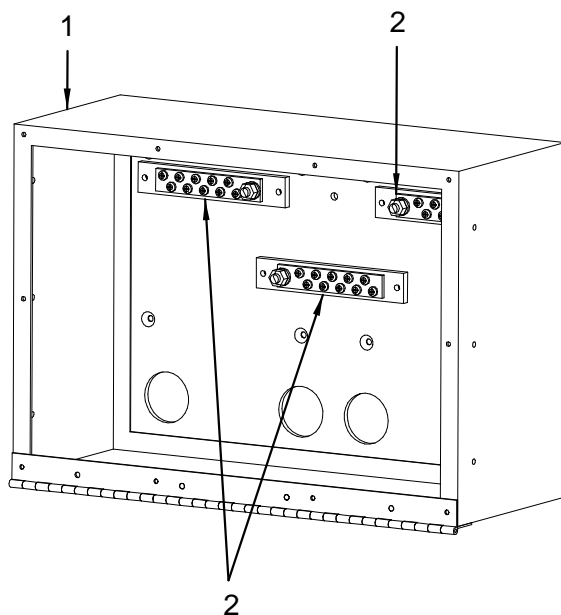
- 13 1666288 KEY, MSTR IGN MDB PNL "3213"
- 1666296 KEY, MSTR IGN MDB PNL "3235"
- 1738689 SPACER, IGNITION SWITCH (ASAHI DENSO)
- 14 352013 BRKR/ROCK, SGL-POLE AC/DC HORZ 10A RED
- 15 1260298 ACTUATOR, ROCK BLK W/CLEAR LENS BATT
- 1260231 BODY, ROCK SW DPDT (MOM) 12V W/INDEP LED
- 16 679324 ACTUATOR, ROCK BLK W/BLEU LENS ACCY
- 681510 BODY, ROCK SW DPST 12V W/INC LAMP
- 17 681619 ACTUATOR, ROCK BLK W/CLEAR LENS ACCY
- 1260256 BODY, ROCK SW SPST (MOM) W/IND LED LAMP 12V
- 18 681486 ACTUATOR, ROCK BLK W/O LENS ACCY
- 719849 BODY, ROCK SW SPDT ON-(MOM ON)
- 19 681486 ACTUATOR, ROCK BLK W/O LENS ACCY
- 1719361 BODY, ROCK SW SPDT W/IND LAMP 12V



MAIN DISTRIBUTION PANEL(120V)

- 1 1752129 PANEL, 420DB-04 MAIN DIST 120VAC
- 1752128 PANEL, BLANK:420DB-04 MAIN DIST 120VAC
- 2 1372861 GAUGE, VOLTMETER AC 0-150 ANALOG
- 3 1741251 GAUGE, AMMETER AC 0-50 2 % SELF-CONT
- 4 572529 LIGHT, POLARITY GRN 125V
- 5 331991 BRKR/ROCK, SGL-POLE AC/DC HORZ 20A WHT
- 6 332031 BRKR/ROCK, SGL-POLE AC/DC HORZ 15A WHT
- 7 762922 PLUG, BRKR/ROCK BLK
- 8 730663 BRKR/TOGGLE, 2-POLE AC MED DELAY 30A
- 9 1451525 SLIDE ASSY, SLIDE BAR MDP PANEL C-SERIES BRKR
- 10 582429 BRKR/TOGGLE, 2-POLE AC MED DELAY 50A
- 11 331959 BRKR/ROCK, SGL-POLE AC/DC HORZ 30A WHT
- 12 332593 BRKR/ROCK, SGL-POLE AC/DC HORZ 10A WHT

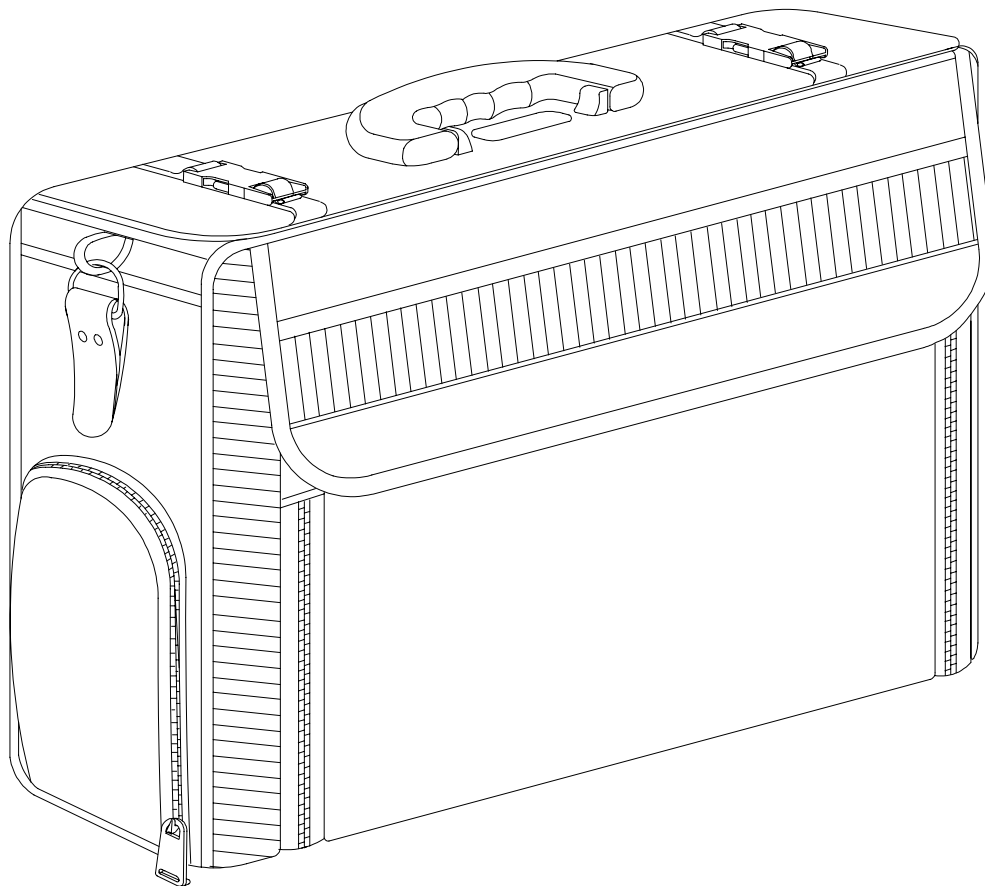
MAIN DISTRIBUTION PANEL ENCLOSURE



MAIN DISTRIBUTION PANEL ENCLOSURE

- 1 1752132 PANEL, 420DB-04 MAIN DIST ENCL BOX
- 2 643510 BUSS BAR, DC GROUND 10-POSITION SML

MULTI-INFO PACKET



MULTI-INFO PACKET

MULTI-INFO PACKET

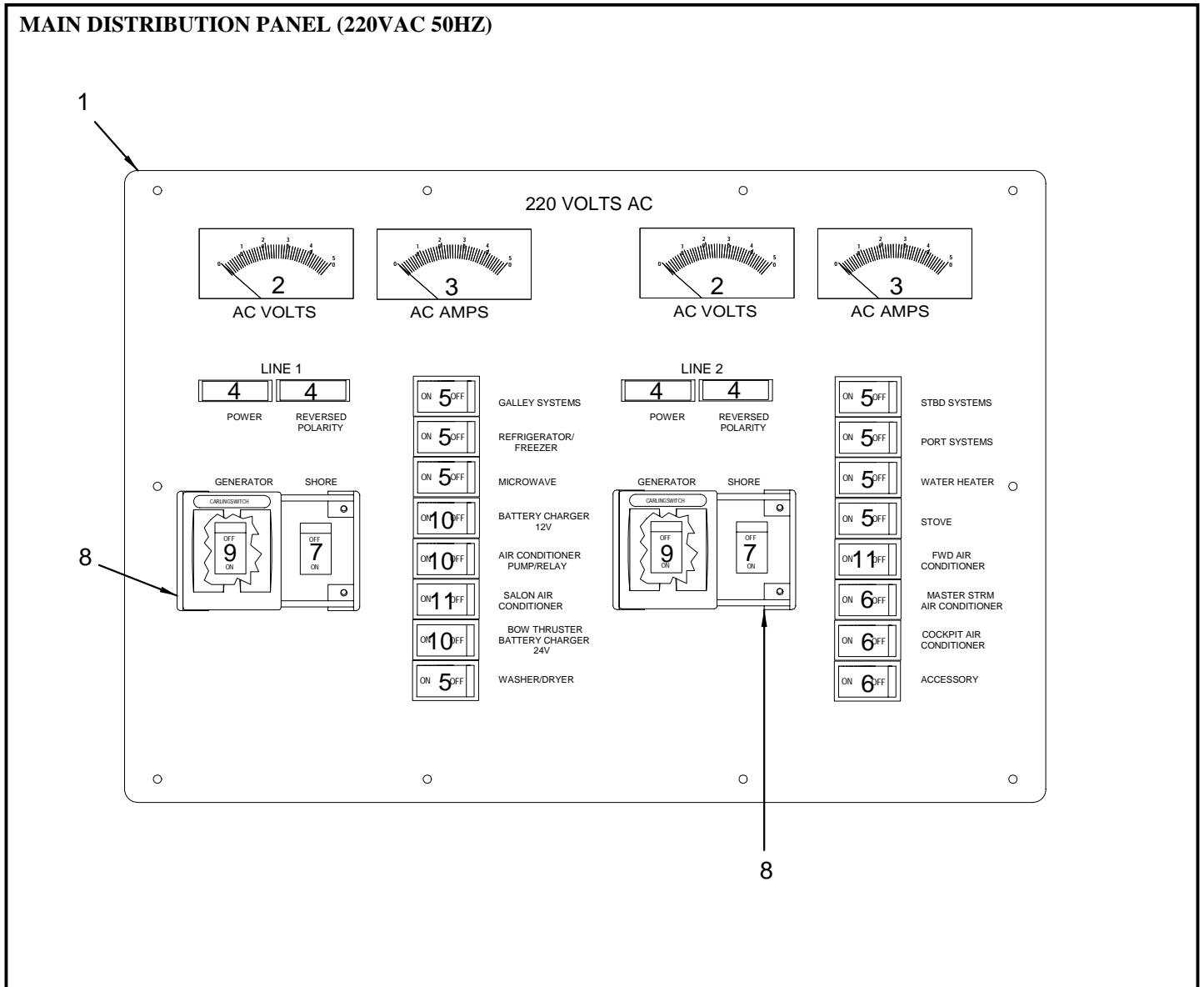
1774212 PACKET, MULTI-INFO 420DB-05

OWNERS PACKET CONTENTS

- 1773971 MANUAL, OWNERS - 420DB-05
- 1774201 CARD, WARRANTY - SPRT CRSR/SPRT YCHT/YCHT 05
- 1751564 CARD, CANVAS CARE & CLEANING SEA RAY
- 1774950 CHECK LIST, IN SERVICE - SP YACHTS 05
- 1507912 CARD, PASSPORT TO SAVINGS
- 1764423 BROCHURE, CARBON MONOXIDE AWARENESS
- 1507938 CARD, TALOR WINDSHIELD/GLASS CARE
- 1411404 ENVELOPE, DEALER INFORMATION
- 902726 PACKET, OWNERS BRIEFCASE CANVAS BLK (TYPHOON)
- 833749 FUSE BOX, SPARE W/6 ATC BLADE STYLE
- 140061 PLUG, DRAIN PLUG SNAPTITE 1/2"
- 764316 DOCUMENT, CANVAS LTD WARRANTY
- 1789923 VIDEO, 05 OWNER ORIENTATION SPYCHT/YCHT DVD
- 1751553 BOOKLET, COAST GUARD FEDERAL REQUIREMENT
- 1751550 CARD, CANVAS CARE & CLEANING MORBERN
- 1751623 CARD, MORBERN MELLOTECH MR/FR
- 1751555 BOOKLET, 3M MAINTENANCE INSTRUCTION
- 1751559 CARD, CANVAS CARE & CLEANING SUNBRELLA
- 1751562 CARD, WARRANTY SUNBRELLA LIMITED
- 1751624 BOOKLET, CARE & CLEANING ULTRALEATHER

OWNERS PACKET SUPPLIED BY PLANT

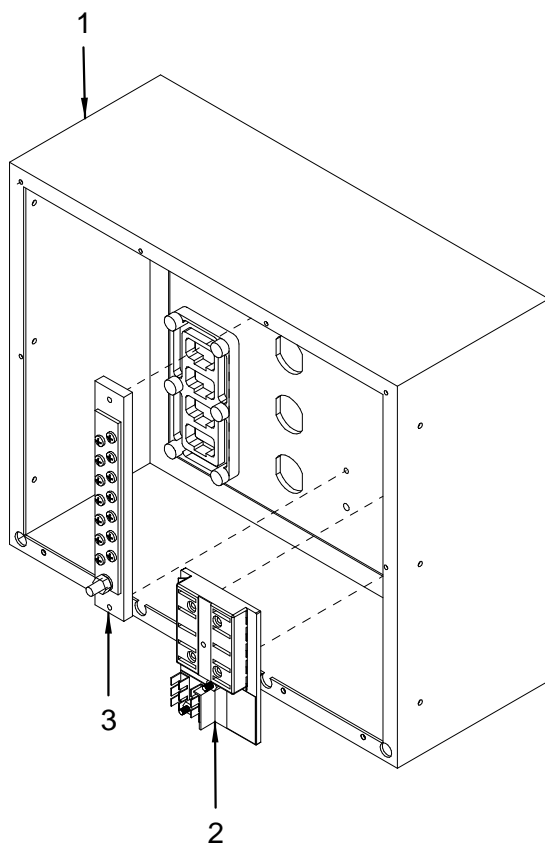
- 184424 KEY RING, PLASTIC BUOY RED
- 1760096 PACKET, 420DB-04 SAFETY INFORMATION UNIT
- 186957 MILDEW DISC, 2.5 OZ.
- 187179 TAG, WARNING RED
- 187245 LABEL, BOATMAN'S CHECK LIST
- 522599 KEY, DECK PLATE CAP
- 800565 BOOKLET, BOATER'S GUIDE TO AC ELECTRICAL SYST
- 907808 CARD, WARRANTY DOUGLASS BATT ORIG EQUIP LTD
- 1691479 MANUAL, OWNERS - SEA RAY INT'L 12-LANGUAGE (C E OPTION GROUP)
- 1740273 CARD, QUICK REFERENCE SHRPWR SPYACHT/02 RV1
- 1757378 MANUAL, OWNERS SRN2 SOFTWARE-DATA-NOTEBOOK KB (SEA RAY NAVIGATOR II 12.1 CHARTPLOTTER)
- 1762219 HDWR KIT, 420DB BRDG SC
- 1766115 PACKET, SIRIUS WELCOME KIT (SIRIUS SATELLITE RADIO)
- 1783312 MANUAL, OWNERS SRNII SECOND STATION (ADDITIONAL SEA RAY NAV II -ONLY W/ SR NAVII)



MAIN DISTRIBUTION PANEL (220VAC 50HZ)

- 1 1752130 PANEL, 420DB-04 MAIN DIST 220VAC
- 1752131 PANEL, BLANK:420DB-04 MAIN DIST 220VAC
- 2 1376888 GAUGE, VOLTMETER AC 0-300
- 3 1741251 GAUGE, AMMETER AC 0-50 2 % SELF-CONT
- 4 572529 LIGHT, POLARITY GRN 125V
- 5 331991 BRKR/ROCK, SGL-POLE AC/DC HORZ 20A WHT
- 6 762922 PLUG, BRKR/ROCK BLK
- 7 730713 BRKR/TOGGLE, 2-POLE AC MED DELAY 20A
- 8 1451525 SLIDE ASSY, SLIDE BAR MDP PANEL C-SERIES BRKR
- 9 1745821 BRKR/TOGGLE, 2-POLE AC MED DELAY 35A (STUD)
- 10 353326 BRKR/ROCK, SGL-POLE AC/DC HORZ 5A WHT
- 11 332031 BRKR/ROCK, SGL-POLE AC/DC HORZ 15A WHT

DC DISTRIBUTION ENCLOSURE

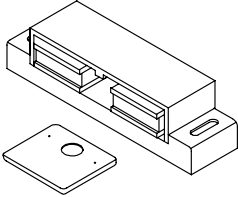
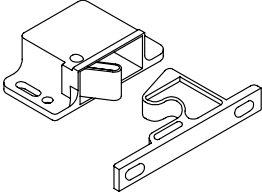
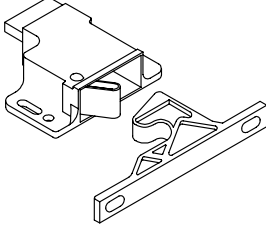
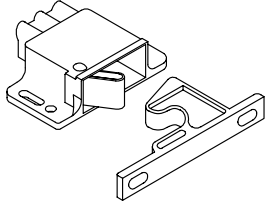
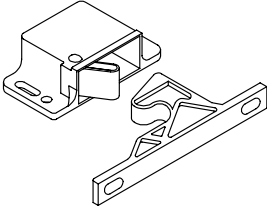
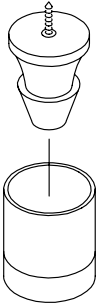
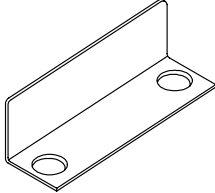
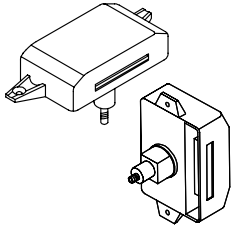
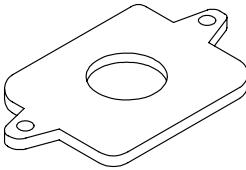
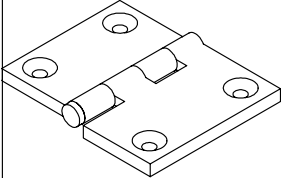
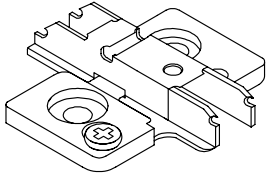
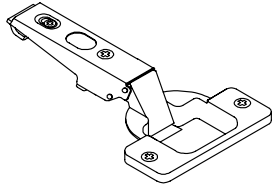
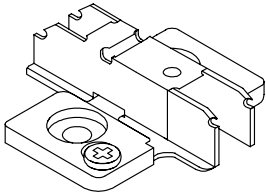
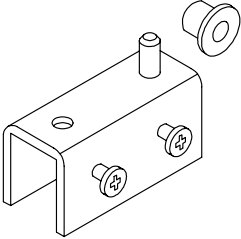
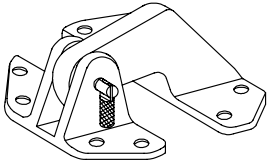
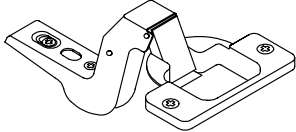


DC DISTRIBUTION ENCLOSURE

- 1 1742801 PANEL, 420DB-04 DC DIST ASSY DSL
- 1752290 PANEL, BLANK:420DB-04 DC DIST 12V DSL
- 2 937490 FUSE BLOCK, 10-GNG BLADE-TYPE ELECTRONICS
- 3 643510 BUSS BAR, DC GROUND 10-POSITION SML

PALM COAST HARDWARE

2005 PALM COAST PLANT HARDWARE

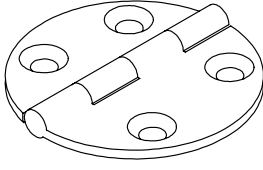
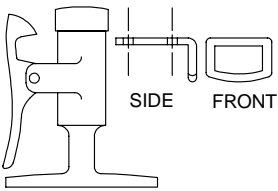
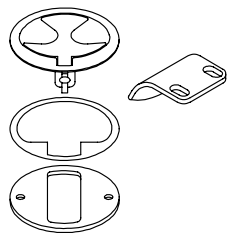
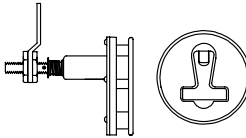
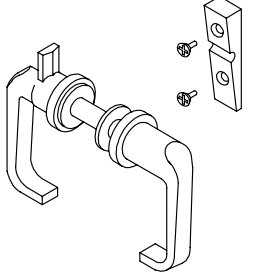
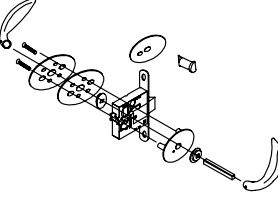
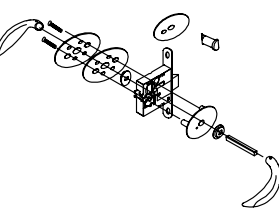
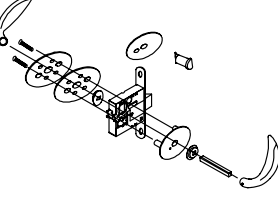
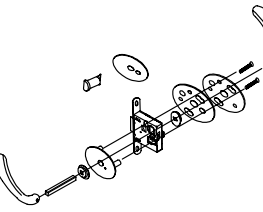
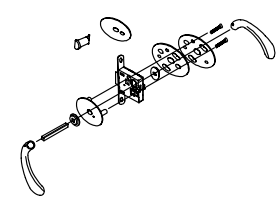
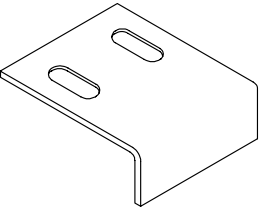
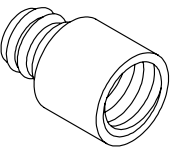
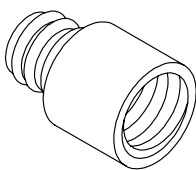
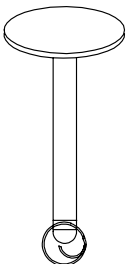
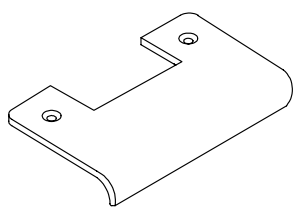
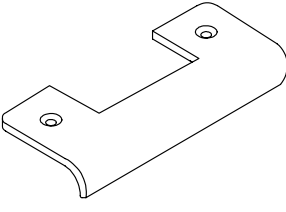
 <p>1 → 1683507</p>	<p>BLACK 3 LB</p>  <p>2 → 1762538</p>	<p>3LB W/SWITCH</p>  <p>3 → 1762537</p>	<p>BLACK 10LB</p>  <p>4 → 1281054</p>
<p>WHITE 10LB</p>  <p>5 → 1450188</p>	 <p>6 → 1118314</p>	 <p>7 → 761445</p>	<p>WHITE</p>  <p>8 → 772418</p>
 <p>9 → 1132380</p>	 <p>10 → 132324</p>	 <p>11 → 1689249</p>	 <p>12 → 1689247</p>
 <p>13 → 1689250</p>	 <p>14 → 228338</p>	 <p>15 → 1743987</p>	 <p>16 → 1689248</p>

PALM COAST HARDWARE

- 1 1683507 CATCH, DBL MAGNETIC BLK PLAS SCREW MNT
- 2 1762538 CATCH, GRABBER LATCH W/ 3LB HOLD SIDE MNT
- 3 1762537 CATCH, GRABBER LATCH W/ 3LB HOLD W/ELEC SWT
(HULL#542->UP)
- 4 1281054 CATCH, GRABBER LATCH W/10LB HOLD W/ELEC SW
(HULL#501->541)
- 5 1450188 CATCH, GRABBER LATCH W/10LB HOLD WHT
- 6 1118314 CATCH, RBR SUNPAD HOLD-DOWN
- 7 761445 CATCH, RIM-LOCK STRIKE PLATE
- 8 772418 CATCH, RIM-LOCK WHT
- 9 1132380 CATCH, RIM-LOCK WHT (SHIM ONLY)
- 10 132324 HINGE, BUTT CHROME/ZINC 2"
- 11 1689249 HINGE, CONCEALED FULL OVERLAY MT PLT CLIP .01
- 12 1689247 HINGE, CONCEALED FULL OVERLAY W/100DEG ANGLE
- 13 1689250 HINGE, CONCEALED PART OVERLAY MT PLATE SALICE
- 14 228338 HINGE, GLASS DOOR NON-BORE PIVOT (PAIR)
- 15 1743987 HINGE, LOOSE PIN SS (ORCAS)
- 16 1689248 HINGE, SELF CLOSING 3MM CLIP-ON

PALM COAST HARDWARE (CONTINUED 1)

2005 PALM COAST PLANT HARDWARE

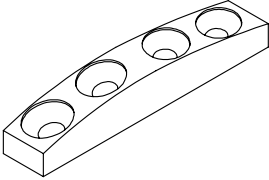
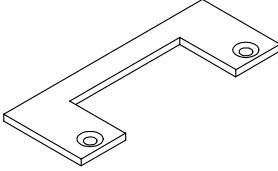
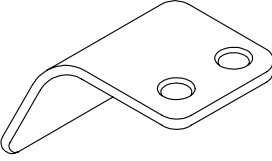
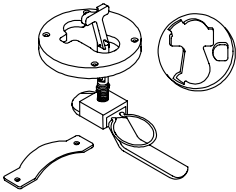
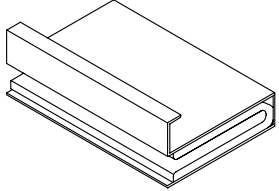
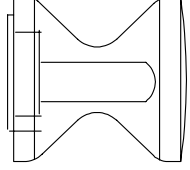
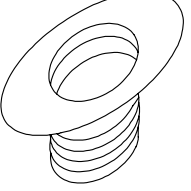
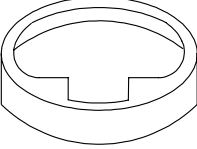
 <p>1 → 1338821</p>	 <p>2 → 893875</p>	<p>STAINLESS STEEL</p>  <p>3 → 1411453</p>	<p>STAINLESS STEEL</p>  <p>4 → 1480813</p>
 <p>5 → 988758</p>	<p>LH OUT SAT/CHR</p>  <p>6 → 1751543</p>	<p>LH IN SAT/CHR</p>  <p>7 → 1751067</p>	<p>LH OUT SAT/CHR</p>  <p>8 → 1751065</p>
<p>RH IN SATIN/CHR</p>  <p>9 → 1751066</p>	<p>RH OUT SATIN/CHR</p>  <p>10 → 1751064</p>	 <p>11 → 1253293</p>	<p>12MM BRASS</p>  <p>12 → 1123165</p>
<p>1/2"</p>  <p>13 → 795773</p>	<p>3" SHANK</p>  <p>14 → 140111</p>	 <p>15 → 863225</p>	<p>1.25" WIDE</p>  <p>16 → 891200</p>

PALM COAST HARDWARE (CONTINUED 1)

1	1338821	HINGE, SS STRAP 2.56" X 2.56" X 1/4"
2	893875	LATCH, DOOR HLDR W/CUSH CHR 2 9/16"
	1286178	CAP, CUSHION TIP FOR DOOR STOP
3	1411453	LATCH, FLUSH MOUNT PULL SS (SLAM)
4	1480813	LATCH, FLUSH MOUNT ROUND T-HNDL SS W/PAWL
5	988758	LATCH, GARAGE DOOR DOG DOWN WHT
6	1751543	LATCH, NOVA L-OUT NOLCK 1-SIDE HNDL SAT/CHR
7	1751067	LATCH, NOVA LH-IN PRVKNB SAT/CHR HIDSCR
8	1751065	LATCH, NOVA LH-OUT PRVKNB SAT/CHR HIDSCR
9	1751066	LATCH, NOVA RH-IN PRVKNB SAT/CHR HIDSCR
10	1751064	LATCH, NOVA RH-OUT PRVKNB SAT/CHR HIDSCR
11	1253293	LATCH, TRNSM STRG
12	1123165	LATCH, 12MM BRASS SHAFT EXTENSION
13	795773	LATCH, 1/2" SHAFT EXTENSION
14	140111	LIFT HANDLE, HATCH LIFT BOLT W/RING 3"
15	863225	PLATE, STRIKER MOBELLA (WIDE)
16	891200	PLATE, STRIKER MOBELLA 1.25"WIDE

PALM COAST HARDWARE (CONTINUED 2)

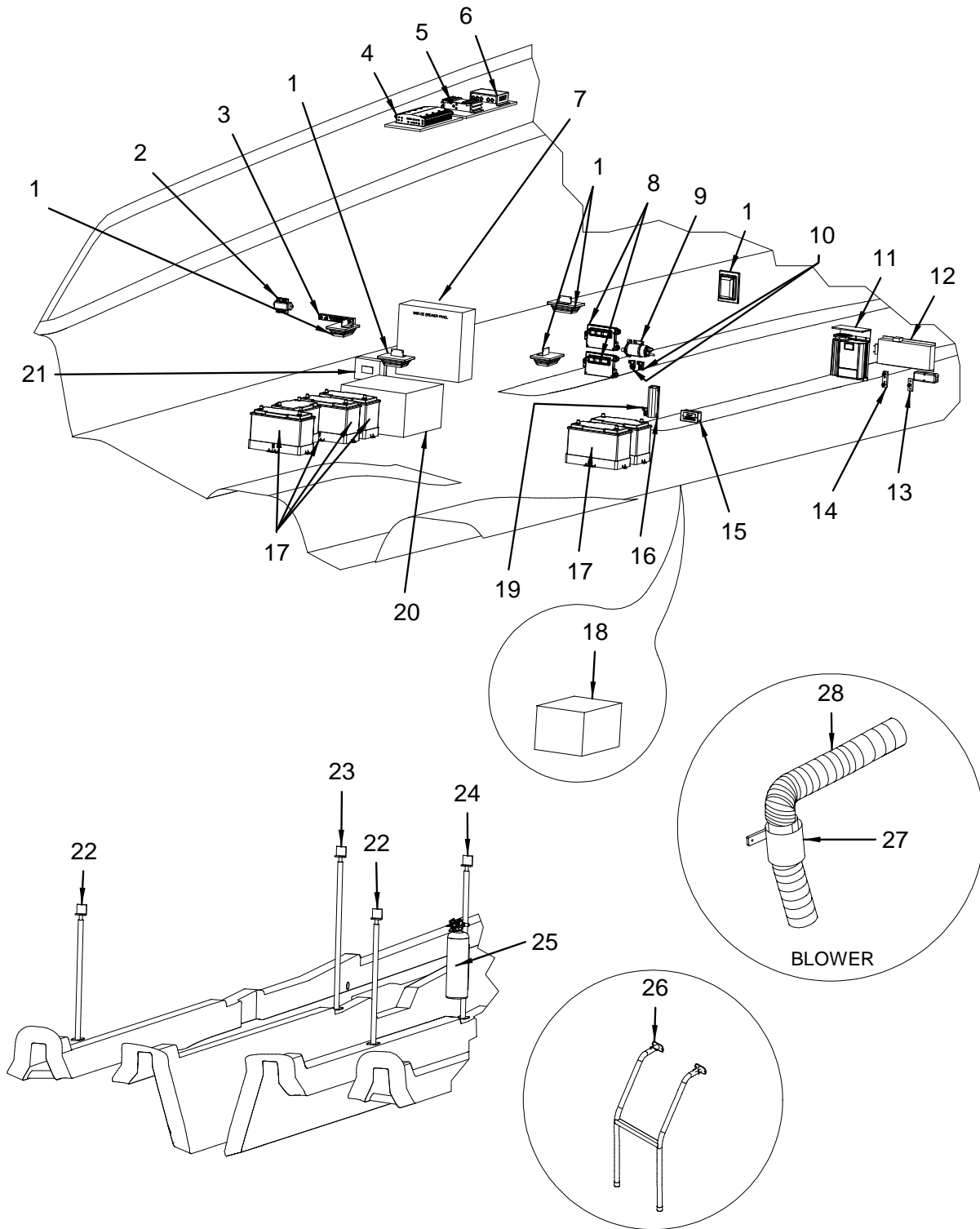
2005 PALM COAST PLANT HARDWARE

 <p>1 → 1137017</p>	<p>1 1/4" X 4 1/2' S/S</p>  <p>2 → 1690952</p>	<p>CHROME</p>  <p>3 → 1437219</p>	 <p>4 → 1690323</p>
 <p>5 → 653840</p>	<p>SATIN</p>  <p>6 → 1742136</p>	<p>19MM SATIN/NKL OVAL</p>  <p>7 → 1742137</p>	<p>BLACK 9MM</p>  <p>8 → 1418078</p>

PALM COAST HARDWARE (CONTINUED 2)

- 1 1137017 PLATE, STRIKER SS 560DB-98 BRDG HATCH
- 2 1690952 PLATE, STRIKER SS BILGE HATCH
- 3 1437219 PULL, DOOR FLUSH MIRROR CHR
- 4 1690323 PULL, FLUSH HATCH SS T-HNDL W/EMRG HNDL ROUND
- 5 653840 PULL, GLASS DOOR BLK FINGER PULL
- 6 1742136 PULL, PUSH-BUTTON KNOB SAT/NCKL
- 7 1742137 PULL, ROSETTE SAT/NCKL OVAL 19MM
- 8 1418078 SHIM, RUBBER 9MM SS LATCH

BILGE (ELECTRICAL)



BILGE (ELECTRICAL)

1	822668	LIGHT, SGL DOME FLUSH MT PLAS WHT W/O SWITCH
	604801	BULB, DOME LIGHT 12V
	1745864	BOARD, P/B 420DB-04 BILGE LIGHT MNT
2	1507326	ACC PART, MERC S-CRFT JUNC BOX 4-WAY (T-CUMMINS 480CE (T-446 PHP) INBOARDS DIESEL)
3	630871	BUSS BAR, MAIN DC GROUND (3-STUD)
4	1782017	STEREO, AMP CLARION APX480M (HULL#506->UP)
	1598853	STEREO, AMP CLARION APX400 4M (HULL#501->504)
5	1767698	STEREO, AMP MARINE AUDIO MAA402 12V
6	838821	A/C COMP, PUMP RELAY 115V
	838839	A/C COMP, PUMP RELAY 230V (220 VOLT / 50 CYCLE ELECTRICAL SYSTEM)
7	1742801	PANEL, 420DB-04 DC DIST ASSY DSL
	1752290	PANEL, BLANK:420DB-04 DC DIST 12V DSL
8	1689740	MODULE, DSL ENG TO S-CRFT CUMMINS 480CE (T-CUMMINS 480CE (T-446 PHP) INBOARDS DIESEL)
9	980227	SOLENOID, MAGNET LATCHING 24V 200A/1200A (BOW THRUSTER)
10	978809	FUSE HOLDER, BLADE ANL (BOW THRUSTER)
	813915	FUSE, FERRULE TYPE AGC 7.5A
11	1684142	CONVERTER, 50AMP 120VAC/12VDC
	1749009	CONVERTER, 50AMP120/240VAC 50/60HZ 12VDC REV1 (220 VOLT / 50 CYCLE ELECTRICAL SYSTEM)
12	1742532	CONVERTER, 25AMP PROTECT-2425 24VDC (BOW THRUSTER)
13	795583	BUSS BAR, SGL POST 5/16"
14	829432	BUSS BAR, DBL POST 5/16"
15	1787508	COVER PLATE, SGL DUPLEX RECEP BRN LVT (HULL#549->UP)
	145078	COVER PLATE, SGL DUPLEX RECEP BRN (HULL#501->548)
	147397	COVER PLATE, CARLON BOX SGL
	522813	BOX, RECEPTACLE PVC SURFACE MOUNT CARLON
	1478841	CONN, NYLON 1/2" ROUND SKIN TOP WATERPROOF
	1376474	CONN, NYLON 1/2" FLAT CORD GRIP WATERPROOF
16	1759681	FUSE, FLAT HEAVY DUTY ANL 200A (BUSSMAN) (BOW THRUSTER)
	987446	FUSE BLOCK, BLADE TYPE ANL350/500 (BOW THRUSTER)
17	130435	HOLDER, BATTERY GR27 BLK NYLON W/SS
	1186337	BATTERY, GROUP 31 DEEP CYCLE
	1216514	BOOT, BATTERY CABLE 4/0 BLK 1"
	1216522	BOOT, BATTERY CABLE 4/0 RED 1"
	140509	BOOT, ENG STARTER RED
	765438	CABLE, BATT RED 1/0
	765446	CABLE, BATT BLK 1/0
	130799	CABLE, BATT BLK #2AWG
	184051	CABLE, BATT RED #2/0AWG
	130781	CABLE, BATT RED #2AWG
	136044	CABLE, BATT BLK #4/0AWG
	136051	CABLE, BATT RED #4/0AWG
	1576347	CABLE, BATT RED/VIO #2AWG (LOWER CONTROL STATION)
	192385	CONN, BATT LUG 4/0GA NEG W/NUT/BOLT
	192393	CONN, BATT LUG 4/0GA POS W/NUT/BOLT
	793315	CONN, RING 1/0GA X 3/8R PLTD CLSD END
	192328	CONN, RING 4/0GA X 1/2R 1.15 BARE
	793349	CONN, RING 4/0GA X 3/8R 1.15 BARE PLTD CLSD
18	1752430	TRANSFORMER, ISO 3.6 KVA 120VAC (STD)
	1752431	TRANSFORMER, ISO 3.8 KVA 220VAC/50HZ (220 VOLT / 50 CYCLE ELECTRICAL SYSTEM)
19	978809	FUSE HOLDER, BLADE ANL (BOW THRUSTER)
	259309	FUSE, BLADE TYPE ATO 30A (BOW THRUSTER)
20	1742796	PANEL, 420/500DB-05 MAIN DISCONNECT ASSY DSL
21	984682	MODULE, SYS MON INTERFACE (LCD)
22	1747030	SUPPORT, LINER SLN ADJ 24.5" TUBE SS 420DB-04
	1218700	RUBBER SHEET, VIBRATION PAD 1/2" X 39" X 66"
23	1747031	SUPPORT, LINER SLN ADJ 27.5" TUBE SS 420DB-04
	1218700	RUBBER SHEET, VIBRATION PAD 1/2" X 39" X 66"
24	1747491	SUPPORT, LINER SLN 27.5" TUBE SS W/MNT 420DB
	1218700	RUBBER SHEET, VIBRATION PAD 1/2" X 39" X 66"
25	609123	HALON SYS, MANUAL/AUTO 800CF
	1266782	FIRE EXT SYS, FM200 800CF GAS/DSL-MAN/AUTO (C E OPTION GROUP)
	1266790	FIRE EXT SYS, FM200 500CF GAS/DSL-MAN/AUTO (C E OPTION GROUP)

26	1741709	LADDER, 420DB-04 BILGE
27	1587104	BLOWER, BILGE 4" #240M W/O CONN
28	124016	HOSE, VENT/BLOWER 4" EX HVY DTY

HARNESSES

1741933	HARNESSES, 420DB-04 CABIN PRT
1748445	HARNESSES, 420DB-04 CABIN PRT EURO (220V)
1741934	HARNESSES, 420DB-04 PRT GSTHD
1741935	HARNESSES, 420DB-04 SLN CEILING
1741936	HARNESSES, 420DB-04 CABIN STB
1748447	HARNESSES, 420DB-04 CABIN STB EURO (220V)
1741937	HARNESSES, 420DB-04 STB MSTRHD
1742523	HARNESSES, 420DB-04 BILGE
1747684	HARNESSES, 420DB-04 BILGE EURO (220V)
1742524	HARNESSES, 420DB-04 DECK
1742527	HARNESSES, 420DB-04 ENG CUM 6CTA 8.3M
1790670	HARNESSES, 420DB-05 ONAN GEN (HULL#559->UP)
1749565	HARNESSES, 420DB-04 ONAN GEN (HULL#502->556)
1750172	HARNESSES, 420DB-04 SPOILER
1750375	HARNESSES, 420DB-04 INST PNL
1781802	HARNESSES, 420DB-05 UPR CNTRL STA
1781803	HARNESSES, 420DB-05 BRDG

HEAT SHRINK

1427145	HEAT SHRINK, TUBING GRN 1.0"
1429174	HEAT SHRINK, TUBING BLK 3/4" X 4'
1429182	HEAT SHRINK, TUBING RED 3/4" X 4'
1429190	HEAT SHRINK, TUBING BLK 1" X 4'
1429208	HEAT SHRINK, TUBING RED 1" X 4'
1429240	HEAT SHRINK, TUBING BLK 1/2" X 4'
1429257	HEAT SHRINK, TUBING RED 1/2" X 4'
1429265	HEAT SHRINK, TUBING BLK 1/4" X 4'

HOSES

1461862	HOSE, 3" ID CABLE COVER (OUTBOARD) BLK
1501782	HOSE, CONDUIT/SPLIT 1/2" FLAME RETARDANT
1501824	HOSE, CONDUIT/SPLIT 3/4" FLAME RETARDANT
1501832	HOSE, CONDUIT/SPLIT 3/8" FLAME RETARDANT
1501840	HOSE, CONDUIT/SPLIT 1" FLAME RETARDANT
1501857	HOSE, CONDUIT/SPLIT 1.5" FLAME RETARDANT
1501865	HOSE, CONDUIT/SPLIT 1.25" FLAME RETARDANT

INSULATIONS

163048	INSULATION, 1" ACOUSTICAL W/VAPOR BARRIER
770404	INSULATION, 2" ACOUSTICAL 4.5' X 6' ALUM

LABELS

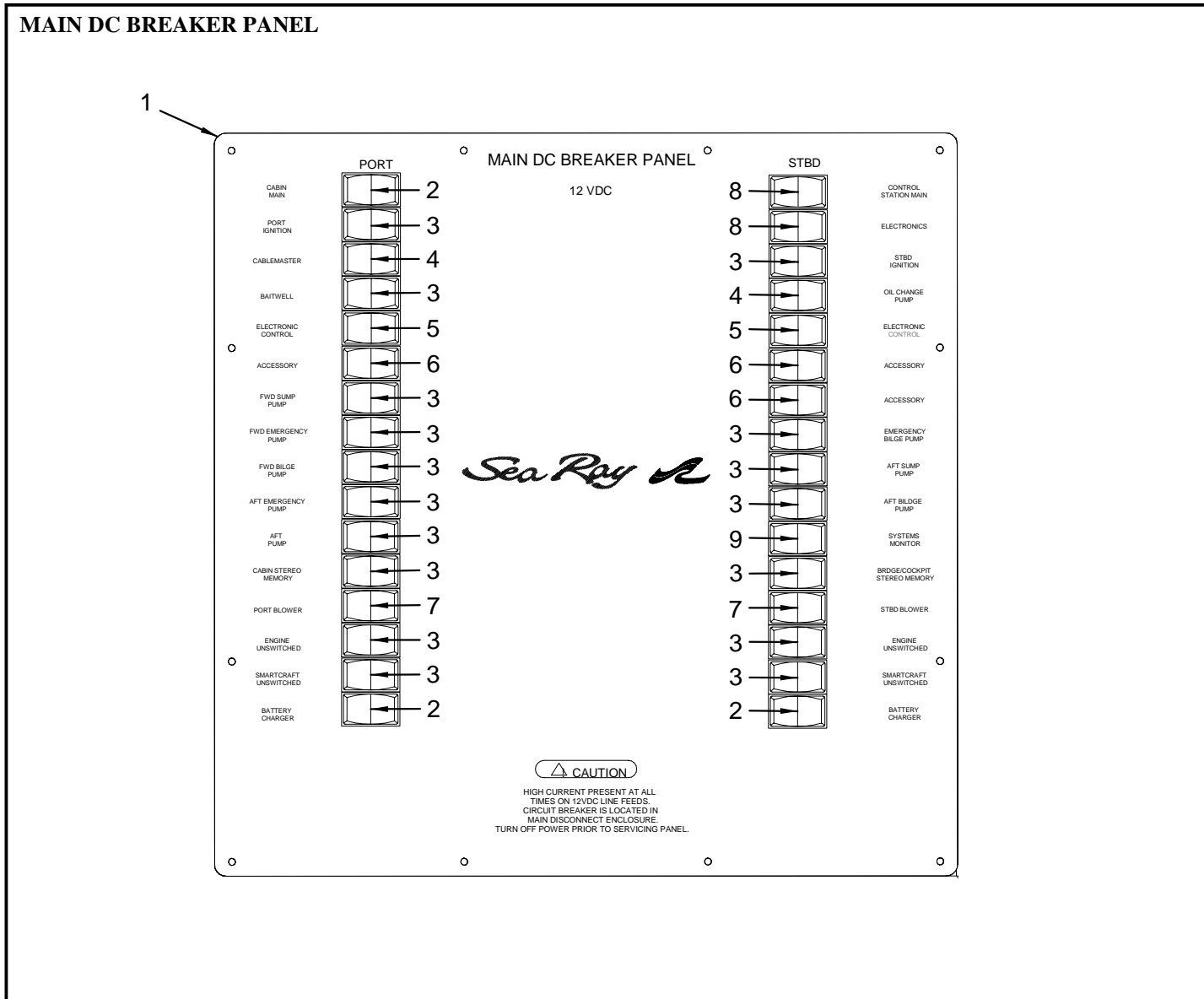
135046	LABEL, DANGER UNPLUG SHORE POWER
1743512	LABEL, "LINE 1" (LEXAN)
1743616	LABEL, UNPLUG SHORE POWER WARNING
1744737	LABEL, DISCHARGE OF OIL (LEXAN)
1745159	LABEL, CAUTION BUSS ELECTRONICS (LEXAN)
1745512	LABEL, STAY CLEAR OF MOVING PARTS ON ENGINE
1745513	LABEL, WARNING LEAKING FUEL
1745517	LABEL, 1/2" X 1.5" DISCHARGE
1746895	LABEL, CHECK BATTERY CELL FLUID LEVEL
1747505	LABEL, INFO REPL PROD/BROCH/DLRLOC/ETC
1751884	LABEL, 1/2" X 1.5" A/C CONDENSATE
1751885	LABEL, CAUTION: PRIOR TO TOWING VESSEL
1752716	PLATE, NMMA YACHT CERT GAS
1756534	LABEL, GENERATOR (LEXAN)
976431	PLATE, CE OPT B:15PERSON/1815KG (C E OPTION GROUP)

NOT SHOWN

1138957	BUSS BAR, 12-GANG 2SGL POST 5/16" STUD 250AMP
123588	CLAMP, HOSE #104 4"-7" SS
1804104	MESH, BLACK POLYETHYLENE DIAMOND
144998	LANYARD, SS 1/16" X 6'
147397	COVER PLATE, CARLON BOX SGL
1552900	ANGLE, ALUM 1/4" X 2" X 2" X 2.5" W/1/4" HOLES
1740273	CARD, QUICK REFERENCE SHRPWR SPYACHT/02 RV1
1763263	GROMMET, RUBBER 1.75" OD X 1" ID (HULL#502->519)
397828	ALARM, BUZZER SYS MON (PIEZO)
498253	COVER BASE, PLAS DUCT WIRING CVR 4" X 6' GREY

NOT SHOWN (continued)

- 498261 COVER BASE, PLAS DUCT WIRING 4"X 3"X 6'
- 621151 CLAMP, HOSE T-BOLT 3" SS
- 630871 BUSS BAR, MAIN DC GROUND (3-STUD)
- 638205 BUSS BAR, DC GROUND 12-POSITION LARGE
- 1783536 ROPE, NYLON 3/8" (600'ROLL) (LAND&SEA)
- 529016 PUMP, BILGE 16GPM MANUAL TWO POS
(C E OPTION GROUP)



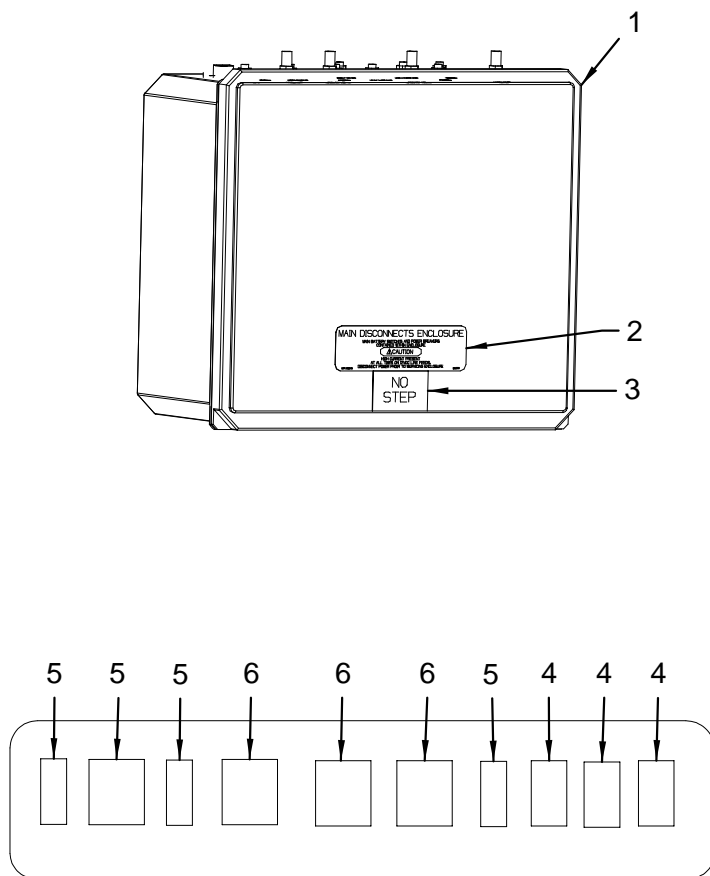
MAIN DC BREAKER PANEL

- 1 1742790 PANEL, 420/500DB-05 MAIN DC BRKR ASSY DSL
- 1805754 PANEL, BLANK:420/500DB-05 MAIN DC BRKR DSL
- 2 1424407 BRKR/ROCK, SGL-POLE C-SER MNL RSET AC/DC 60A
- 3 1750890 BRKR/ROCK, SGL-POLE AC/DC HORZ 15A RED W/GUAR
- 4 1471333 BRKR/ROCK, SGL-POLE AC/DC HORZ 20A RED W/GRD
- 5 807016 BRKR/ROCK, SGL-POLE AC/DC HORZ 10A RED W/GUAR
- 6 1490200 PLUG, BRKR/ROCK M SERIES
- 7 1750889 BRKR/ROCK, SGL-POLE AC/DC HORZ 6A RED W/GUAR
- 8 1424381 BRKR/ROCK, SGL-POLE C-SER MNL RSET AC/DC 50A
- 9 1750888 BRKR/ROCK, SGL-POLE AC/DC HORZ 5A RED W/GUAR

NOT SHOWN

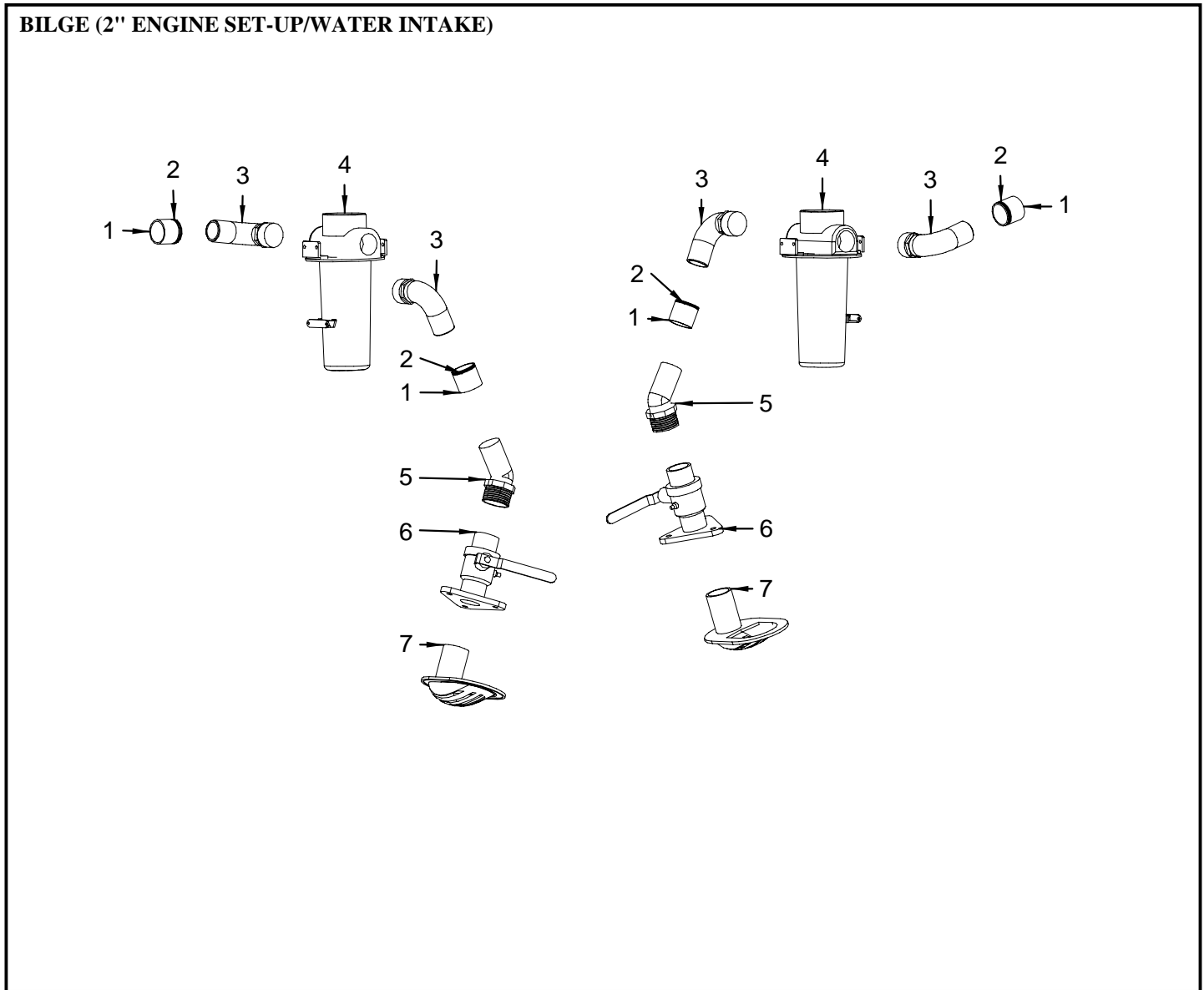
- 1424308 BRKR/ROCK, SGL-POLE C-SER MNL RSET AC/DC 15A

MAIN DISCONNECT ENCLOSURE



MAIN DISCONNECT ENCLOSURE

- 1 1742796 PANEL, 420/500DB-05 MAIN DISCONNECT ASSY DSL
- 2 1750570 LABEL, MAIN DISCONNECTS ENCLOSURE
- 3 1744726 LABEL, NO STEP (LEXAN)
- 4 1260298 ACTUATOR, ROCK BLK W/CLEAR LENS BATT
1260231 BODY, ROCK SW DPDT (MOM) 12V W/INDEP LED
- 5 1751499 BRKR/TOGGLE, 1-POLE 100A AIRPAX MED DELAY
- 6 1751502 BRKR/TOGGLE, 2-POLE PARLL 150A AIRPX MED DELY



BILGE (2" ENGINE SET-UP/WATER INTAKE)

- 1 1743309 HOSE, WATER INTAKE 2" HVY DTY (CORRUG)
- 2 123539 CLAMP, HOSE #48 1 5/8"-3.5" SS
- 3 506931 ELBOW, RED BRASS 90DEG 2"MPT X 2"BARB
- 4 507749 STRAINER, BRZ WATER INTAKE 2"
- 161554 STRAINER, WRENCH
- 1742751 BRACKET, P/B 1/2"X 4"X 12" STRAINER
- 5 755934 ELBOW, BRZ 45DEG 2"MPT X 2"BARB
- 6 843854 SEACOCK, BRZ 2"
- 7 516617 PICK-UP, BRZ WATER INTAKE 2"

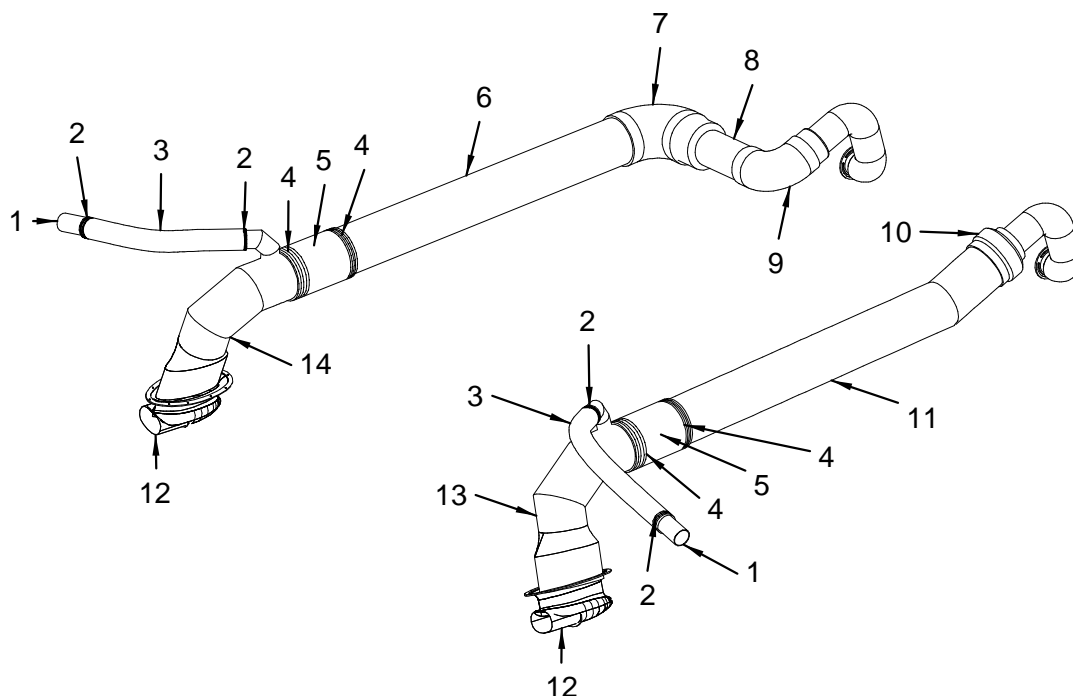
LABELS

- 134890 LABEL, FUEL WARNING NMMA - DSL

NOT SHOWN

- 1196294 NUT, HEX NYLON LOCK #1/2-13 ZINC
- 123646 CLAMP, LOOM VINYL DIP #32 2"
- 1560432 WASHER, FLAT #1/2" ZINC PLATED
- 1590546 BOLT, HEX HD #1/2-13 X 3" ZINC GRD #8
- 1735569 PLATE, BACKING 420DB-04 ENG MNT/RUD KIT
- 622225 CAP, HOLE WHT 2.5"
- 1148139 CONTROL, CLAMP/SHIM KIT

BILGE (ENGINE EXHAUST SYSTEM)



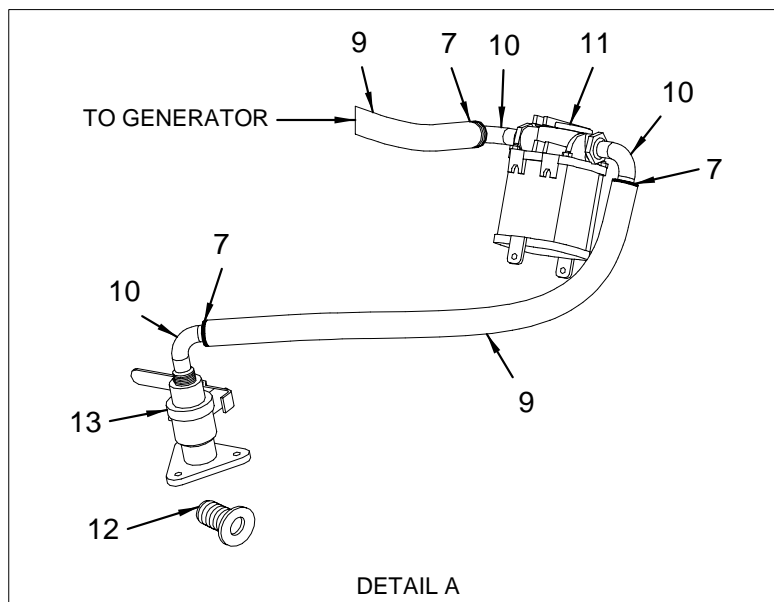
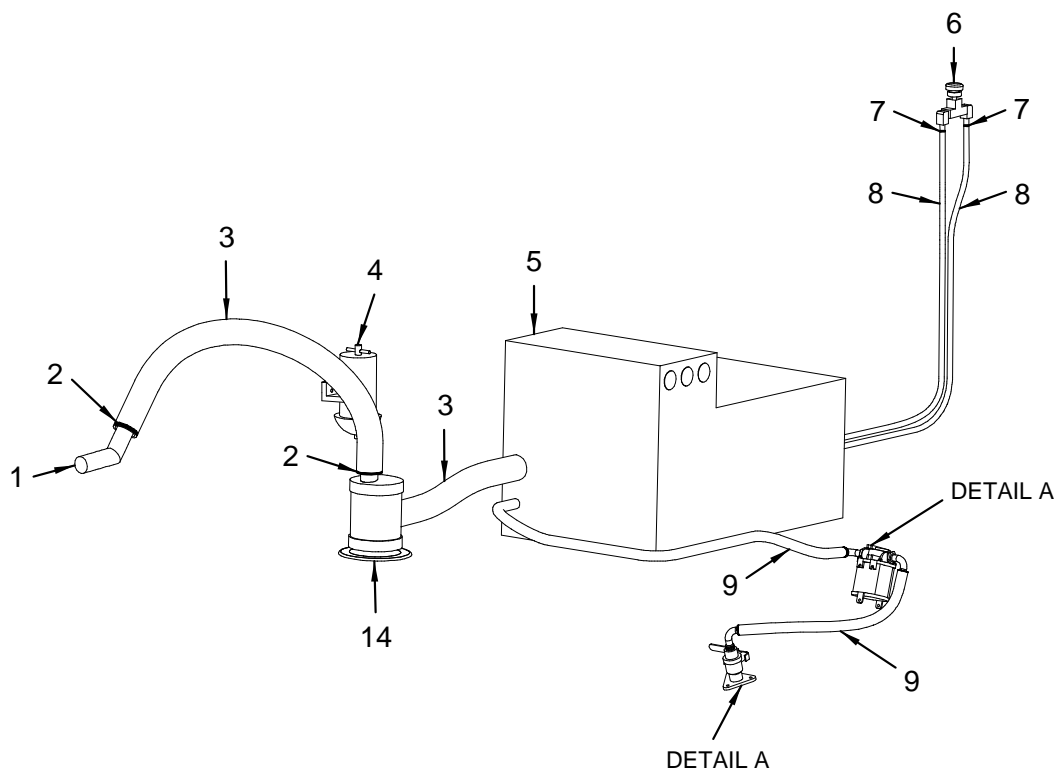
BILGE (ENGINE EXHAUST SYSTEM)

- 1 1761644 THRU-HULL, EXHAUST 3" X-LONG SS
- 2 123539 CLAMP, HOSE #48 1 5/8"-3.5" SS
- 3 968933 HOSE, EXHAUST 3" CORR
- 4 493023 CLAMP, HOSE T-BOLT 8" SS
- 5 124131 HOSE, EXHAUST 8" SW
- 6 1752119 TUBING, EXH GLASS 8"X 64"
- 7 1691008 EXHAUST, HOSE HUMP 8"X 6" BLK HT W/CLAMPS
- 8 1752125 TUBING, EXH GLASS 6"-8"X 20.75" W/SS CRSH CLR
- 9 1194562 EXHAUST, EL 6"X 90DEG BLUE VHT
- 10 1690802 EXHAUST, HOSE HUMP 6" BLUE VHT W/CLAMPS
- 11 1758526 EXHAUST, EL 6"X 76" W/ANTI-CRSH SLV 420DB-04
- 12 1215581 EXHAUST, BRZ U/W EXH OUTLET DSL 99
- 13 1691001 EXHAUST, EL 8"OD OUTLET AFT STB 420DA/SDB
- 14 1690999 EXHAUST, EL 8"OD OUTLET AFT PRT 420DA/SDB

NOT SHOWN

- 1346188 EXHAUST, EL 8"X 90DEG RBR BLK HT W/CLAMPS
- 186809 SHIM, BRASS 4.25"X 2"X 1/32"
- 186817 SHIM, BRASS 4.25"X 2"X 1/16"

GENERATOR SYSTEM



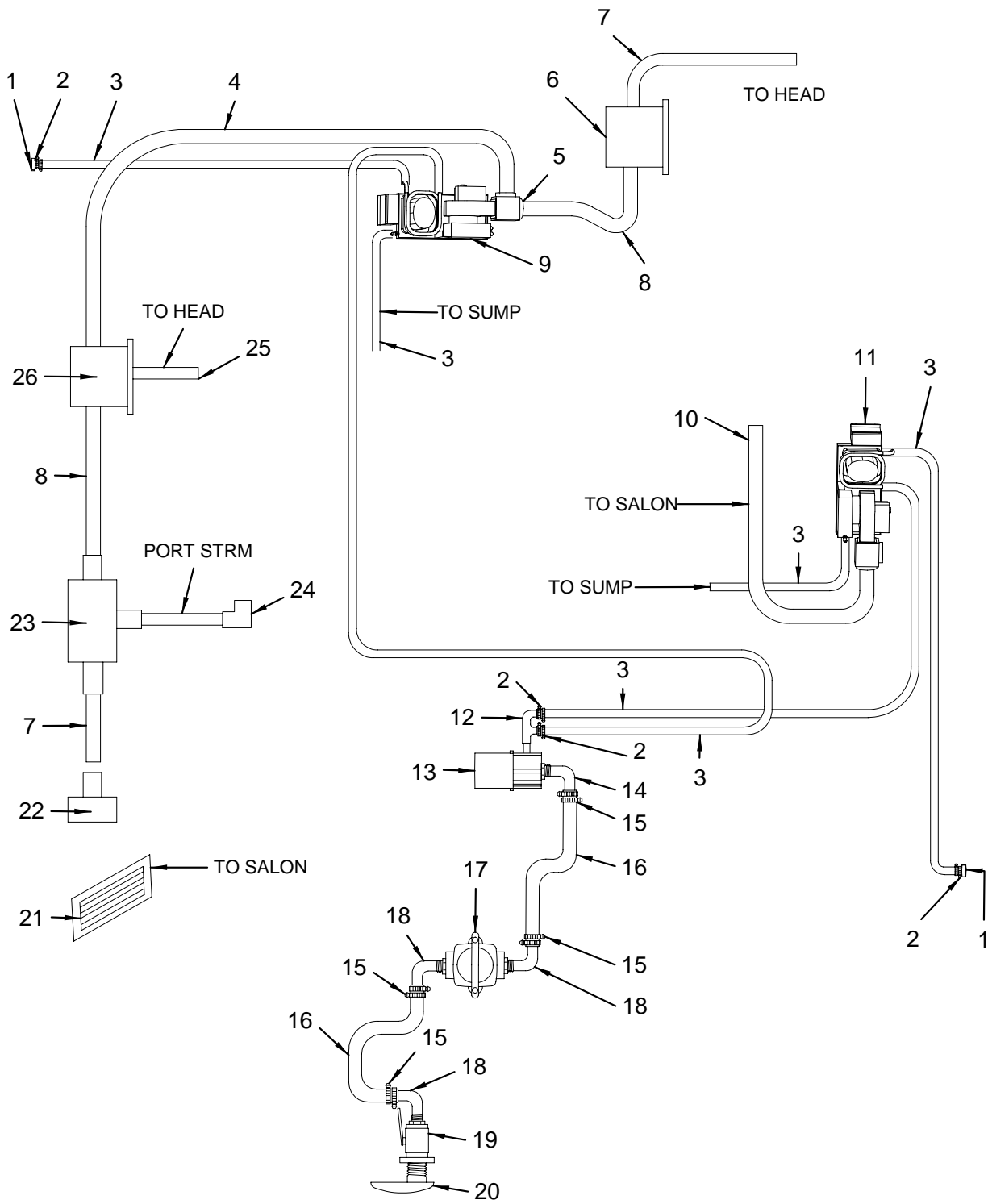
GENERATOR SYSTEM

- 1 1769255 THRU-HULL, EXHAUST 2" W/SS LIP
- 2 123513 CLAMP, HOSE #32 1 9/16"-2.5" SS
- 3 913053 HOSE, EXHAUST 2" CORR HW
- 4 1524065 FILTER, REMOTE FUEL DSL (500MASR)
- 5 1727712 GENERATOR, 9.0 MDKAV DSL ONAN 120V/60HZ
- 1732988 GENERATOR, 7.0 E-QD DSL ONAN 220/50
(220 VOLT / 50 CYCLE ELECTRICAL SYSTEM)
- 1767594 GENERATOR, 9.0 MDKAV DSL ONAN W/SS 120V/60HZ
(GENERATOR SOUND BOX - DIESEL ONLY)
- 1732987 GENERATOR, 7.0 E-QD DSL ONAN 22/50 W/SNDSHD
(220V SHORE POWER W/ GEN SET SOUNDSHIELD)
- 6 1749612 SYPHON BREAK KIT, GEN EXH ONAN 3/4"
- 7 123406 CLAMP, HOSE #12 1/2"-1.25" SS
- 8 124693 HOSE, WATER 3/4" EX HVY DTY
- 9 196667 HOSE, GEN PURPOSE 1"
- 10 170381 ELBOW, BRZ 90DEG 1"MPT X 1"BARB
- 11 490938 STRAINER, BRZ WATER INTAKE 1"
- 12 196568 THRU-HULL, BRZ 1"
- 13 531368 SEACOCK, BRZ 1"
- 14 1784602 MUFFLER, 2"IN X 2"OUT 9"X 9" BASE
(HULL#559->UP)
- 846873 MUFFLER, 2"IN X 2"OUT W/SIDE INLET (DURALIFT)
(HULL#501->557)
- 160374 MUFFLER, DRAIN PLUG
(HULL#501->557)

NOT SHOWN

- 123406 CLAMP, HOSE #12 1/2"-1.25" SS
- 123463 CLAMP, HOSE #16 3/4"-1.5" SS
- 1409895 ELBOW, BRASS 90DEG 1/2"SAE X 3/8"FPT
(HULL#501->599)
- 161992 CONTROL, CONNECTOR KIT
- 170357 ADAPTER, BRZ 1"MPT X 1"BARB STRAIGHT
- 211516 CONN, ROMEX METAL 1.5"

AIR CONDITIONING SYSTEM



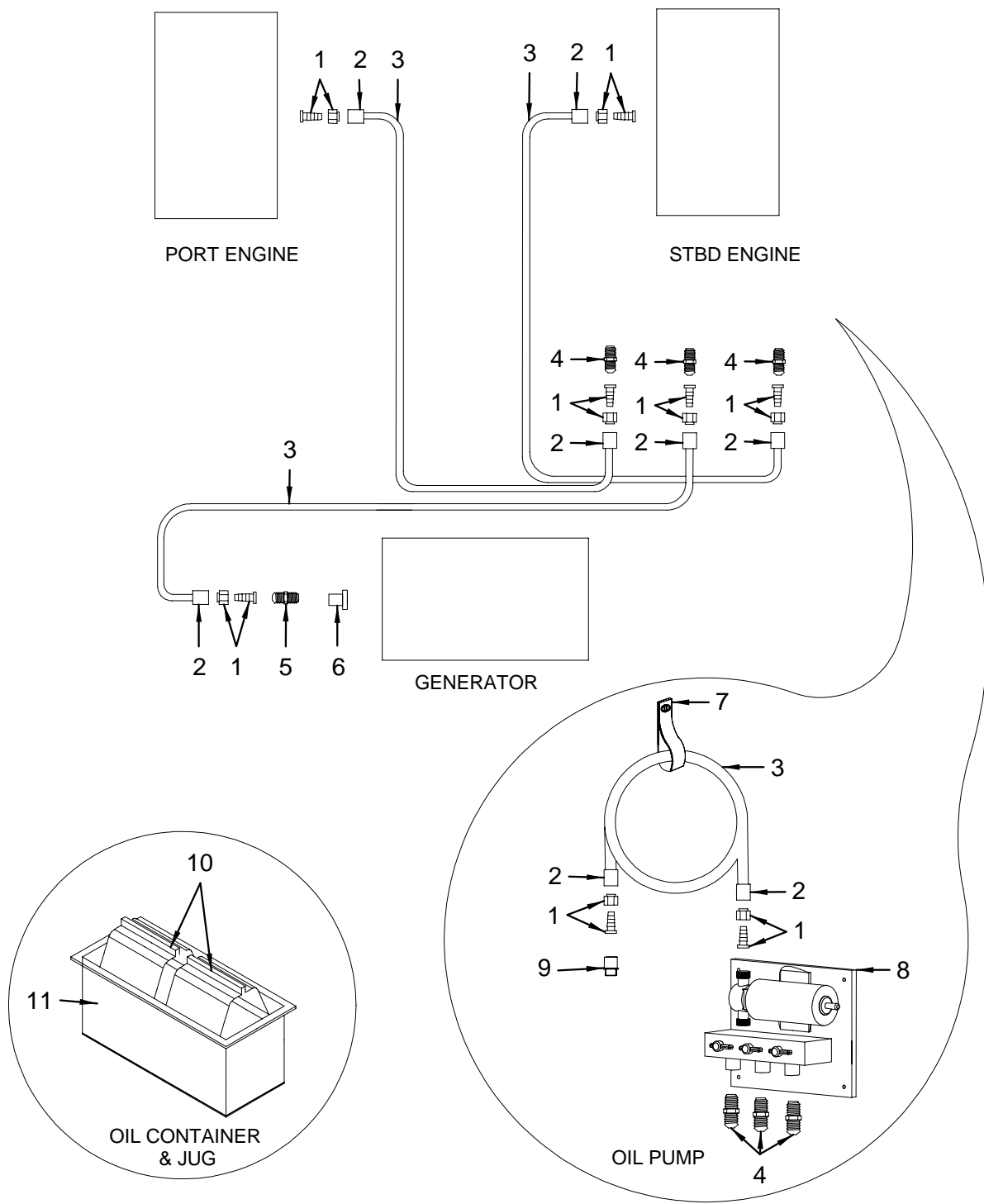
AIR CONDITIONING SYSTEM

1	1521434	THRU-HULL, SS 1 1/8"X 3/4"BARB
2	123398	CLAMP, HOSE #06M 5/16"-7/8" SS MINI
3	1058957	HOSE, WATER A/C WHT 5/8"
4	430926	HOSE, AC/DUCT INSULATED 6"FLEX
5	1752464	A/C COMP, PLENUM BOX 5T W/DIVERTER
6	1776977	A/C COMP, PLENUM W/5"LFT/4"RT 6"X 10" W/INSUL
7	124065	HOSE, AC/DUCT INSULATED 4"
	1048834	A/C COMP, HOSE RING 4" RND PLAS
8	266528	HOSE, AC/DUCT INSULATED 5"
9	1772531	A/C COMP, COMPACT 16K SMXII HV 115V 60HZ R22
	1773076	A/C COMP, COMPACT 16K SMXII HV 220V 50HZ GG
		(HULL#539->UP) (220 VOLT / 50 CYCLE ELECTRICAL SYSTEM)
	1772528	A/C COMP, COMPACT 16K SMXII HV 230V 60HZ R22
		(HULL#508->538) (220 VOLT / 50 CYCLE ELECTRICAL SYSTEM)
10	124453	HOSE, AC/DUCT INSULATED 7"
	975482	A/C COMP, HOSE RING 7" OBLONG
	1772492	A/C COMP, HOSE ADAPT 7" BLOWER
11	1760730	A/C COMP, COMPACT 16K SMXII 115V 60HZ R22
	1773075	A/C COMP, COMPACT 16K SMXII 220V 50HZ GG
		(HULL#539->UP) (220 VOLT / 50 CYCLE ELECTRICAL SYSTEM)
	1760731	A/C COMP, COMPACT 16K SMXII 230V 60HZ R22
		(HULL#508->538) (220 VOLT / 50 CYCLE ELECTRICAL SYSTEM)
12	948745	A/C COMP, MANIFOLD DUAL WATER FITTING
13	838755	A/C COMP, PUMP SEAWATER 115V PMA1000 W/BASE
	838763	A/C COMP, PUMP SEAWATER 230V 400DB 50C
		(220 VOLT / 50 CYCLE ELECTRICAL SYSTEM)
14	168039	ELBOW, PVC 1"MPT X 1"BARB X 90DEG
15	123463	CLAMP, HOSE #16 3/4"-1.5" SS
16	196667	HOSE, GEN PURPOSE 1"
17	490938	STRAINER, BRZ WATER INTAKE 1"
18	170381	ELBOW, BRZ 90DEG 1"MPT X 1"BARB
19	531368	SEACOCK, BRZ 1"
20	531582	PICK-UP, BRZ WATER INTAKE 1"
21	1666668	A/C COMP, GRILL 8X4 BLK
22	1752462	A/C COMP, TRANS BOX 4" RING BACK 8X4
23	1206101	A/C COMP, PLENUM W/5"FRONT 4"SIDE 4"BTM
24	1752462	A/C COMP, TRANS BOX 4" RING BACK 8X4
25	428664	HOSE, AC/DUCT INSULATED 3"FLEX
26	1752465	A/C COMP, PLENUM BOX W/6I 5T 3F 6.5X5.5X6.5

NOT SHOWN

123661	CLAMP, LOOM VINYL DIP 1"
1604263	A/C COMP, CABLE INTERCONNECT 15'
1689762	COUPLING, UNIFLEX PLAS 1/2"FPT
169193	ELBOW, BRZ 90DEG 3/4"MPT X 3/4"BARB
411090	ADAPTER, PVC 1/2"MPT X 1/2"BARB
583427	DRAIN, W/PLUG 100DEG 3/4"BARB CHR
838821	A/C COMP, PUMP RELAY 115V
961557	A/C COMP, BUSHING
1762241	A/C COMP, ELL PLAS 1/2"MPT X 5/8" HOSE

OIL EXCHANGE SYSTEM



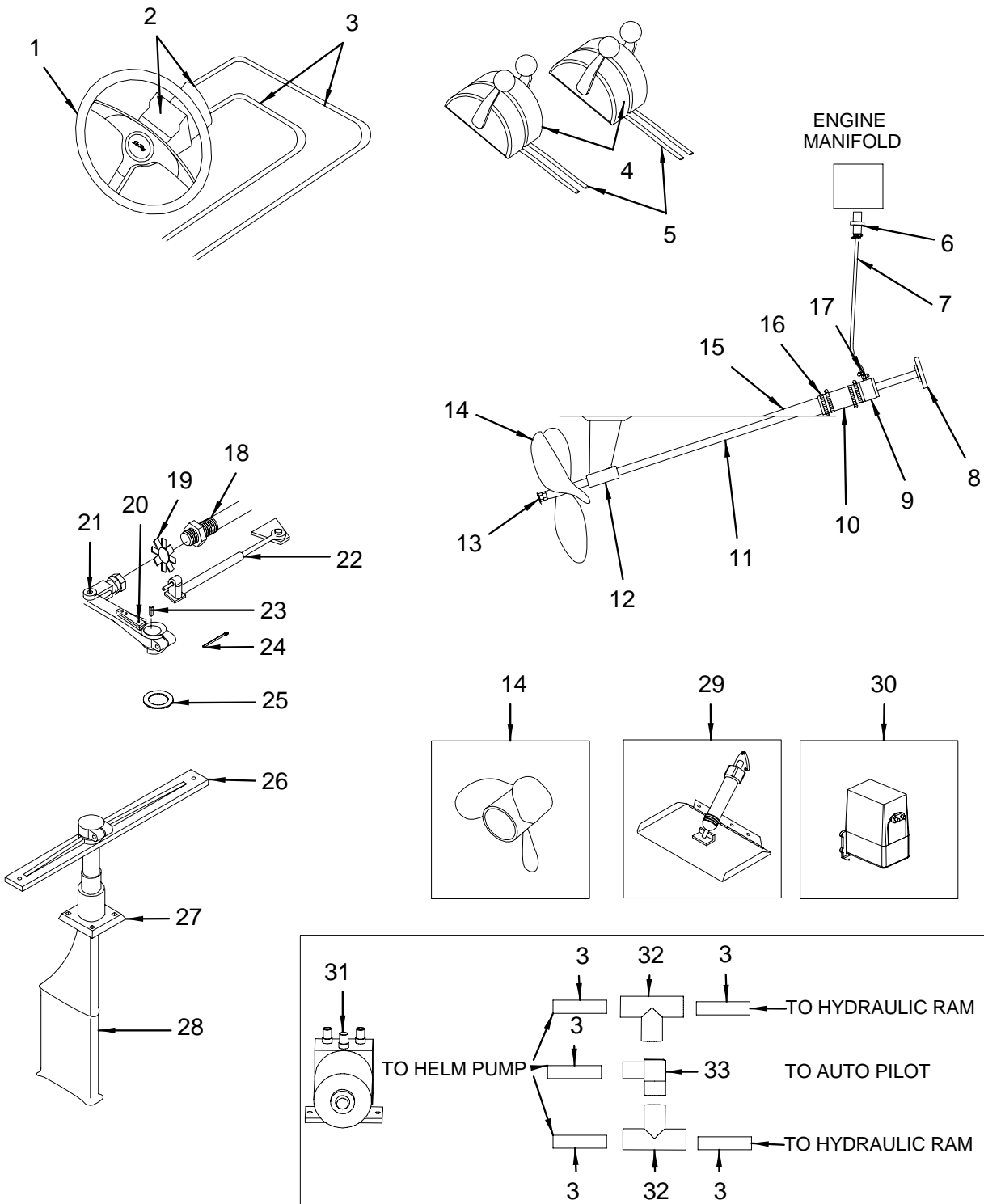
OIL EXCHANGE SYSTEM

- 1 170605 FITTING, BRASS 1/2"BARB/NUT
- 2 1479294 FERRULE, FUEL LINE 1/2"ISO/CE
- 3 1497494 HOSE, FUEL 1/2" ISO/CE W/PLAS LINER
- 4 169821 ADAPTER, BRASS 1/2"MPT X 1/2"SAE
- 5 169623 ADAPTER, BRASS 3/8"MPT X 1/2"SAE
- 6 1746452 ADAPTER, BRASS 1/2"SAE X 3/8"FPT
- 7 185538 ROPE, DOCKLINE STRAP ONLY WHT W/HDWR
- 8 1092048 PUMP, OIL CHANGE KIT 12V 3-VALVE
- 9 1743440 PLUG, BRASS 1/2" MPT SAE LINE #639F-8
- 10 821082 JUG, JERRY WHT 2.5GAL 63MM
- 821090 JUG, JERRY CAP BLK 2.5GAL 63MM
- 11 872077 CONTAINER, V/F HDPE RESIN OIL BOTTLE BLK

NOT SHOWN

- 1058957 HOSE, WATER A/C WHT 5/8"
- 123406 CLAMP, HOSE #12 1/2"-1.25" SS
- 172742 HOSE, GARDEN 5/8" PLAS CONNECTOR MALE
- 172759 HOSE, GARDEN 5/8" PLAS CONNECTOR FEMALE
- 1139484 COUPLING, BRASS REDUCING 1/2"FPT X 3/8"FPT

STEERING SYSTEM

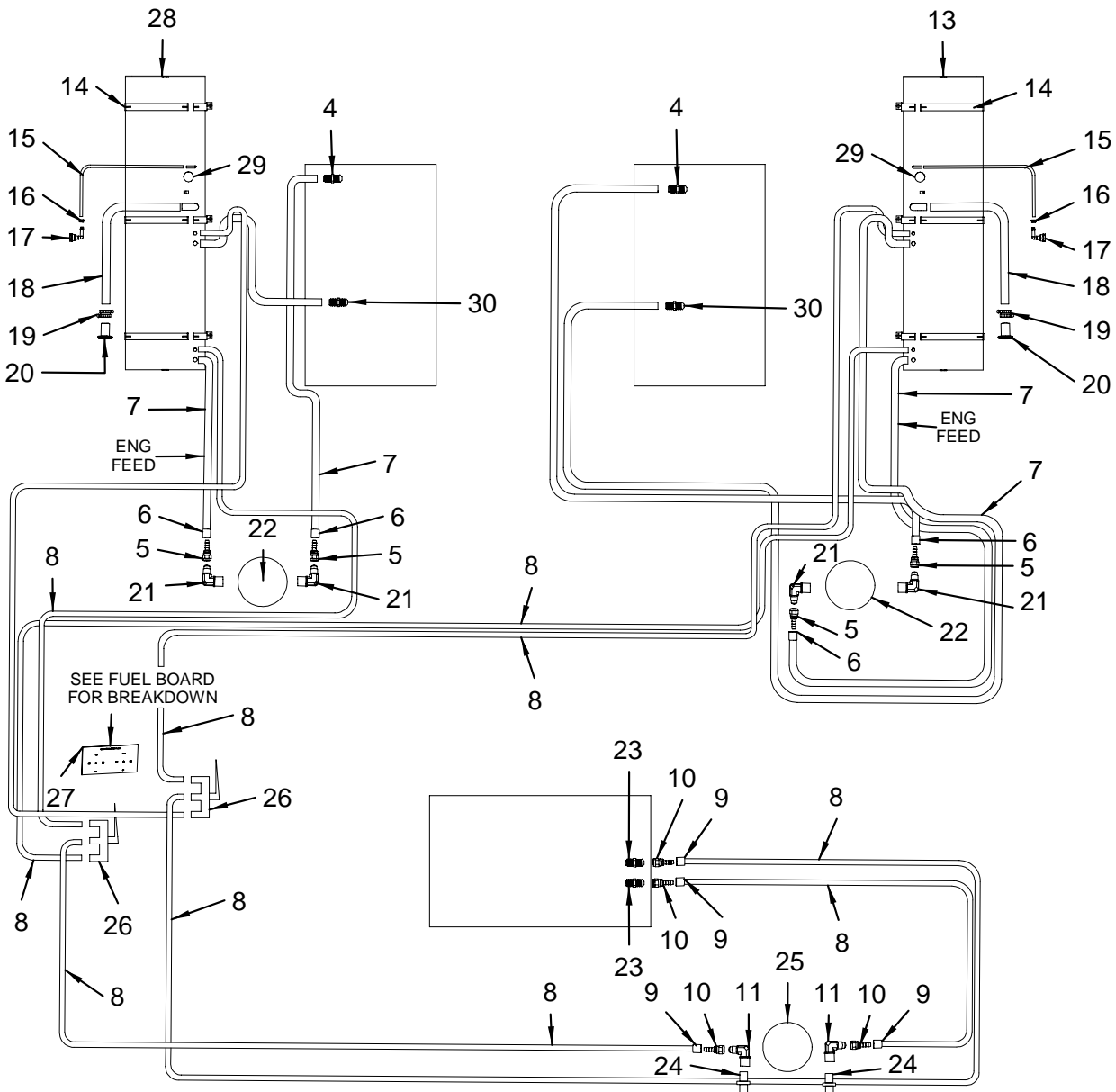
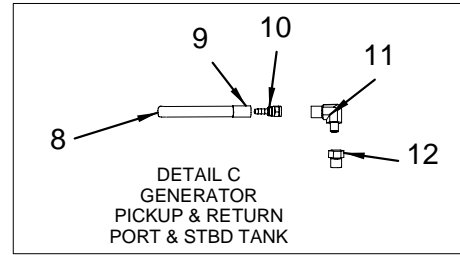
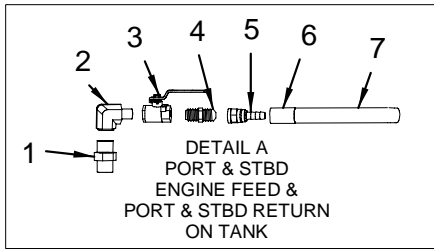


STEERING SYSTEM

NOT SHOWN

1	1738115	STEERING WHEEL, 3-SPOKE WOOD W/URETH PAD	1727086	SPACER, SS 2.25" RUDDER INDICATOR W/S-CRFT
	1340561	STEERING WHEEL, SPOKE CVR W/RING FOR #1298017	622225	CAP, HOLE WHT 2.5"
	1683795	STEERING WHEEL, RING FOR 1526292/1738115	957092	A/C COMP, HOSE RING 5" OBLONG
	758599	HUB KIT, STEERING WHEEL DINO 332	1762407	STEERING HOSE, 5/16"X 3"W/FITTINGS (SEASTAR)
	1743361	STEERING WHEEL, RND CHR MEDALLION HLDR		(POWER STEERING - ASSISTED)
	1743362	STEERING WHEEL, 3-SPOKE WOOD (WHEEL ONLY)	1771726	STEERING, PUMP SEA STAR PWR ASSIST 12V
	1747682	EMBLEM, S/R EMB SCRIPT WHEEL CHR-BEZEL 1.75"		(POWER STEERING - ASSISTED)
2	317032	STEERING, HELM PUMP SEA STAR I TILT	826636	BRKR/ROCK, SGL-POLE MNL RESET DC 40A RED
3	1780151	STEERING HOSE, 5/16"X 33"W/FITTINGS (SEASTAR)		(POWER STEERING - ASSISTED)
	990093	TUBING, HYD 3/8" BLK (TELEFLEX)	1336049	CABLE, CONTROL TELEFLEX TFXXTREME 4'
		(AUTOPILOT - RAYPILOT ST 7001+)		(ENGINE SYNCHRONIZER)
	1777900	STEERING HOSE, 5/16"X 6"W/FITTINGS (SEASTAR)	219840	SYNCHRONIZER CABLE, 8FT "X" DRIVE
		(AUTOPILOT W/ POWER ASSIST)		(ENGINE SYNCHRONIZER)
4	1051689	CONTROL, THRTL/SHFT W/SS HANDLES W/GOLD KNOBS	219857	SYNCHRONIZER CABLE, 6FT "X" DRIVE
	907097	KNOB, CONTROL GOLD GROOVED W/RED ID		(ENGINE SYNCHRONIZER)
	907063	KNOB, CONTROL GOLD SMOOTH	232348	SYNCHRONIZER, GLENDENNING DSL ENG
	1762415	BEZEL, DOME POLISHED SS FOR MRP#1051689		(ENGINE SYNCHRONIZER)
	1073758	CONTROL, NEUTRAL SAFETY SWITCH	161927	STEERING, TEE HYDRAULIC (BRASS)
	1773926	CONTROL, SERIES 9000 COMMAND ZF		(LOWER CONTROL STATION)
		(LOWER CONTROL STATION)	168807	STEERING, ADAPTER BRASS 1/4"MPT X 3/8"COMP
	1791096	CONTROL, CRUISE COMMAND ZF/CUMMINS 2 STATION		(LOWER CONTROL STATION)
		(LOWER CONTROL W/ 480CE ENGINES)	168849	NIPPLE, BRASS 1/4"MPT X 1.5"HEX
		(LOWER CONTROL STATION)		(LOWER CONTROL STATION)
5	1335959	CABLE, CONTROL TELEFLEX TFXXTREME 36'	757021	ELBOW, BRASS 45DEG STREET 1/4"
	1335991	CABLE, CONTROL TELEFLEX TFXXTREME 40'		(AUTOPILOT - RAYPILOT ST 7001+)
	1336007	CABLE, CONTROL TELEFLEX TFXXTREME 6'	1765807	STEERING HOSE, 5/16"X 4"W/FITTINGS (SEASTAR)
		(T-CUMMINS 480CE (T-446 PHP) INBOARDS DIESEL)	1780149	STEERING HOSE, 5/16"X 30"W/FITTINGS (SEASTAR)
		(LOWER CONTROL STATION)	763813	FUSE, BLADE TYPE CLOSED 25A
	1335736	CABLE, CONTROL TELEFLEX TFXXTREME 5'		(AUTOPILOT - RAYPILOT ST 7001+)
		(LOWER CONTROL STATION)	980128	TUBING, HYD 5/16"ID STEERING WP 1500PSI
		(LOWER CONTROL STATION)		(LOWER CONTROL STATION)
6	780338	ADAPTER, BRASS 1/8"MPT X 3/8"BARB		
7	1497486	HOSE, FUEL 3/8" ISO/CE W/PLAS LINER		
8	1602150	COUPLING, 2" TRANS: ZF 280-A		
9	1576404	STUFFING BOX, UHMW 2"ID 3.5"HOSE DUAL		
	1687169	HOSE, SHAFT LOG 3"X 3.5"X 6.5"BLUE SILICONE		
	1733931	CAP, FRONT SEAL SHAFT STUFF BOX 2.0"		
10	1616325	SEAL KIT, SHAFT STUFFING BOX 2" W/TOOL SPARE		
11	1735912	SHAFT, SS 2.0"X 97.0" AQ22 (CUMM) 420DB-04		
12	1735905	STRUT, W/BEARING 2.0" 420DB-04		
13	144402	PIN, COTTER PIN 5/32"X 2" SS		
	1602176	NUT, FULL HEX 480MY 2"SHAFT BRASS		
	1602184	NUT, JAM HEX 480MY 2"SHAFT BRASS		
14	1205608	PROP, 23"X 26"X 2" R4BC NIBRAL H/S		
	1205616	PROP, 23"X 26"X 2" L4BC NIBRAL H/S		
	1748061	PROP, 26"X 26"X 2" L4BC NIBRAL TEIGNBRIDGE		
		(T-CUMMINS 480CE (T-446 PHP) INBOARDS DIESEL)		
	1748062	PROP, 26"X 26"X 2" R4BC NIBRAL TEIGNBRIDGE		
		(T-CUMMINS 480CE (T-446 PHP) INBOARDS DIESEL)		
15	1717439	TUBING, SHAFT LOG 3.5"OD X 26.0" 420DA/DB		
16	123463	CLAMP, HOSE #16 3/4"-1.5" SS		
17	123398	CLAMP, HOSE #06M 5/16"-7/8" SS MINI		
18	827170	TIE BAR, RUDDER 49.38" W/TAB		
19	622910	WASHER, TIE BAR LOCK WASHER 1" SS		
20	161232	RUDDER ARM, 1.5"		
21	143222	RUDDER CLEVIS, 4"LONG X 1"-14 FPT		
	577320	ELBOW, BRASS 90DEG 1/4"MPT X 3/8"COMP		
22	976530	STEERING, HYD CYLINDER BA-175-7TM (CAPILANO)		
23	144394	KEY STOCK, RUDDER 1/4"X 1/4"X 12" BRASS		
24	144402	PIN, COTTER PIN 5/32"X 2" SS		
25	161257	WASHER, RUDDER WASHER 1.5"		
26	161182	RUDDER SUPPORTS, 440AC/390EC		
	1125194	RUDDER SUPPORTS, STRUT W/STEERING RAM MNT		
	1765143	BRACKET, SS 1.5" RUDDER INDCTR W/S-CRFT 6.25"		
		(T-CUMMINS 480CE (T-446 PHP) INBOARDS DIESEL)		
27	587147	STUFFING BOX, RUDDER W/PACK 1.5"DIA		
	213769	STUFFING BOX, PACKING ONLY 1/4" "STERNLON"		
	803718	SEAL KIT, SHAFT STUFFING BOX 1.5"W/TOOL SPARE		
28	1751561	RUDDER, 420DB-04		
29	877787	TRIM TAB, ASSY 12X24 SPECIAL CONFIG W/ZINC		
	671875	TRIM TAB, HPU KIT W/ACCY'S		
	133876	TRIM TAB, HYD CYLINDER ONLY		
30	271445	TRIM TAB, HYD PUMP ONLY 12V		
	1798176	PLUG, TRIM TAB HYD PUMP		
	1798177	COVER, LEXAN TRIM TAB HYD PUMP		
	479972	TRIM TAB, HYD TUBING		
31	852483	AUTO PILOT, RAYPILOT TYPE I PUMP UNIT		
		(AUTOPILOT - RAYPILOT ST 7001+)		
32	1039205	TEE, BRASS 3/8"COMP X 3/8"COMP X 1/4"MPT		
		(AUTOPILOT - RAYPILOT ST 7001+)		
33	1539949	ELBOW, BRASS 90DEG 3/8"MPT X 3/8"COMP		

FUEL SYSTEM

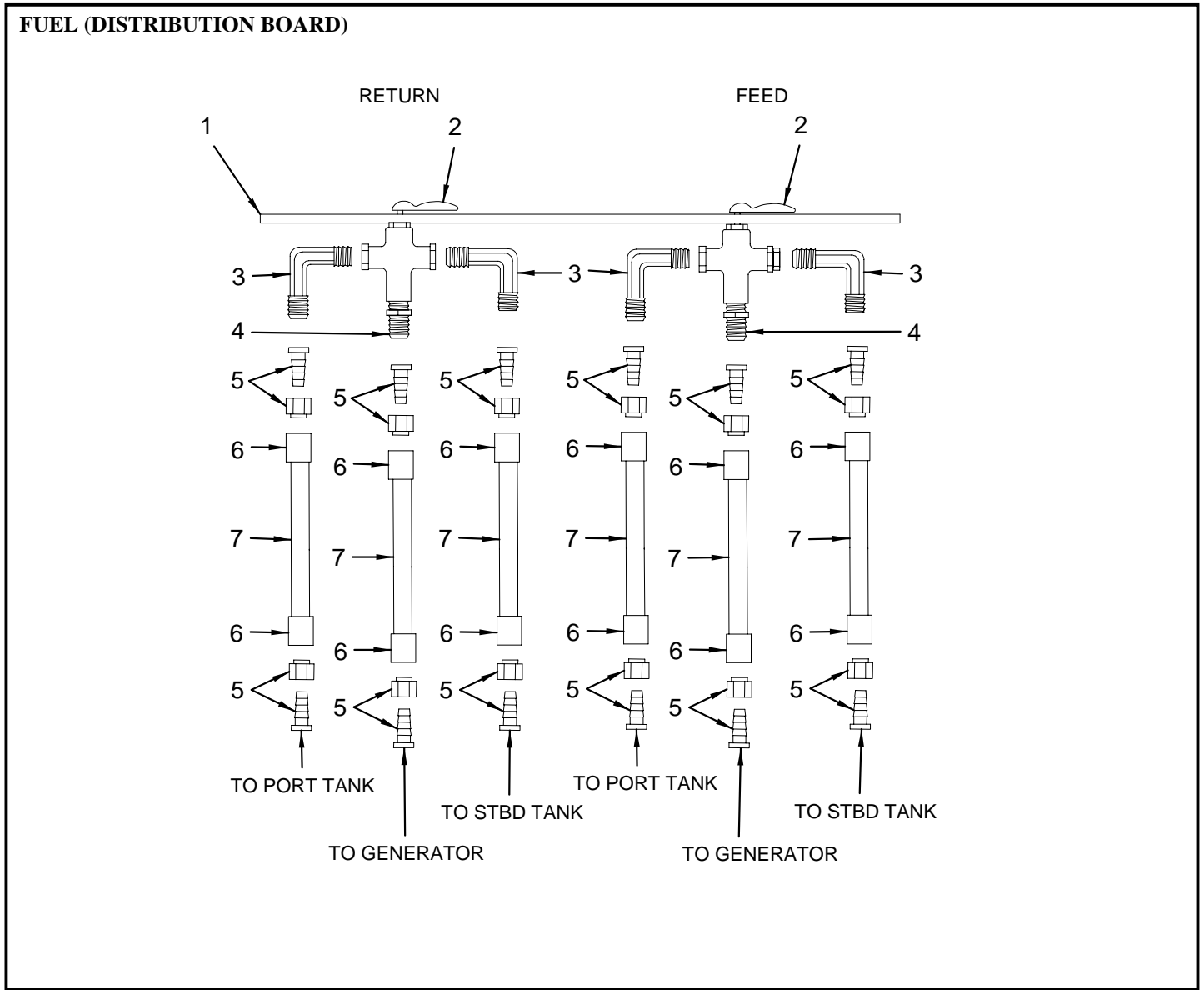


FUEL SYSTEM

1	185801	NIPPLE, SS 1/2"MPT X CLOSE HEX
2	169086	ELBOW, BRASS 90DEG STREET 1/2"
3	1339597	VALVE, BRZ 1/2" BALL
4	169821	ADAPTER, BRASS 1/2"MPT X 1/2"SAE
5	170605	FITTING, BRASS 1/2"BARB/NUT
6	1479294	FERRULE, FUEL LINE 1/2"ISO/CE
7	1497494	HOSE, FUEL 1/2" ISO/CE W/PLAS LINER
8	1497486	HOSE, FUEL 3/8" ISO/CE W/PLAS LINER
9	1478213	FERRULE, FUEL LINE 3/8"ISO/CE
10	170589	FITTING, BRASS 3/8"BARB/NUT
11	140467	ELBOW, BRASS 90DEG 3/8"SAE X 1/4"MPT
12	791392	BUSHING, SS THD 1/4"FPT X 3/8"MPT
13	1737362	TANK, FUEL 420DB-04 175GAL STB
	1750901	SENDING UNIT, FUEL SENDER WEMA 20" 12V
	1497452	TAPE, FOAM NEOPRENE W/3M 9828 3/8"TH X 2"W
14	814996	STRAP, FUEL TANK KIT 400DB 6PC
15	1500982	HOSE, FUEL 3/4" ISO/CE W/PLAS LINER
16	123406	CLAMP, HOSE #12 1/2"-1.25" SS
17	1618644	VENT, FUEL/WATER SS 3/4" 90DEG FLSH SHALLOW
18	123752	HOSE, FUEL 2" TYPE A CLASS 2
19	123513	CLAMP, HOSE #32 1 9/16"-2.5" SS
20	1114263	DECK PLATE, DSL SS 2" GRN CLR-CODE
	522581	DECK PLATE, CAP W/CHAIN
	522599	KEY, DECK PLATE CAP
21	169102	ELBOW, BRASS 90DEG 1/2"MPT X 1/2"SAE
22	1524073	FILTER, REMOTE FUEL DSL (900MASR)
23	140483	ADAPTER, BRASS 1/4"MPT X 3/8"SAE
24	171322	BUSHING, BRASS 1/4"FPT X 3/8"MPT
25	1524065	FILTER, REMOTE FUEL DSL (500MASR)
26	140004	VALVE, BRASS 3-WAY FUEL 1/4"
27	1688697	PANEL, 390/420/500 GEN FUEL CROSSOVER
28	1737361	TANK, FUEL 420DB-04 176GAL PRT
29	1750901	SENDING UNIT, FUEL SENDER WEMA 20" 12V
30	169623	ADAPTER, BRASS 3/8"MPT X 1/2"SAE

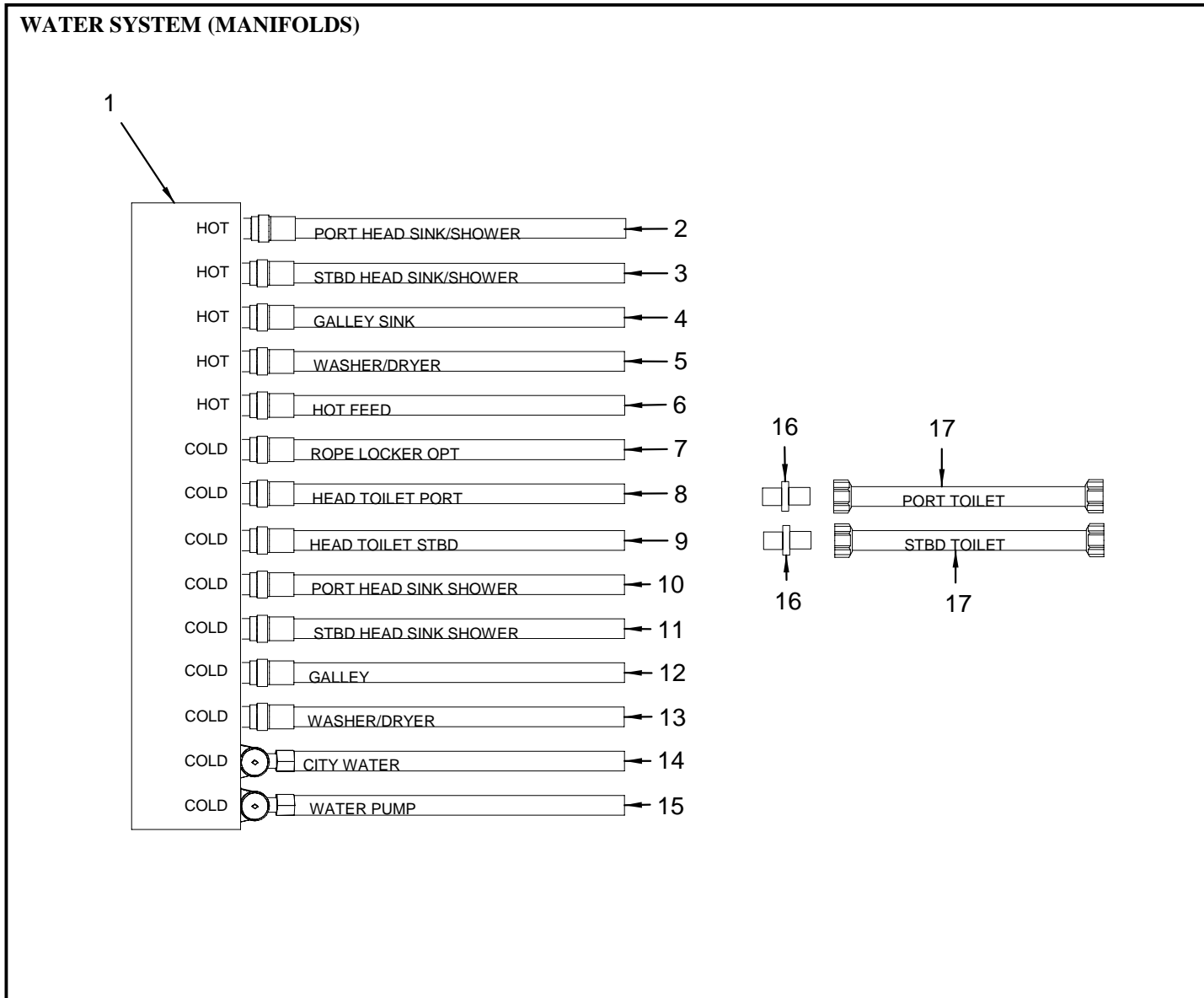
NOT SHOWN

123695	CLAMP, LOOM VINYL DIP #12 3/4"
141747	ANGLE, PVC 2"X 2"X 1/4"X 10' GREY
169474	ELBOW, BRASS 90DEG 3/8"SAE X 3/8"MPT
169748	ELBOW, BRASS 90DEG 1/2"SAE X 3/8"MPT
1742752	BOARD, P/B 1/2"X 37"X 2.5" FUEL LINE



FUEL (DISTRIBUTION BOARD)

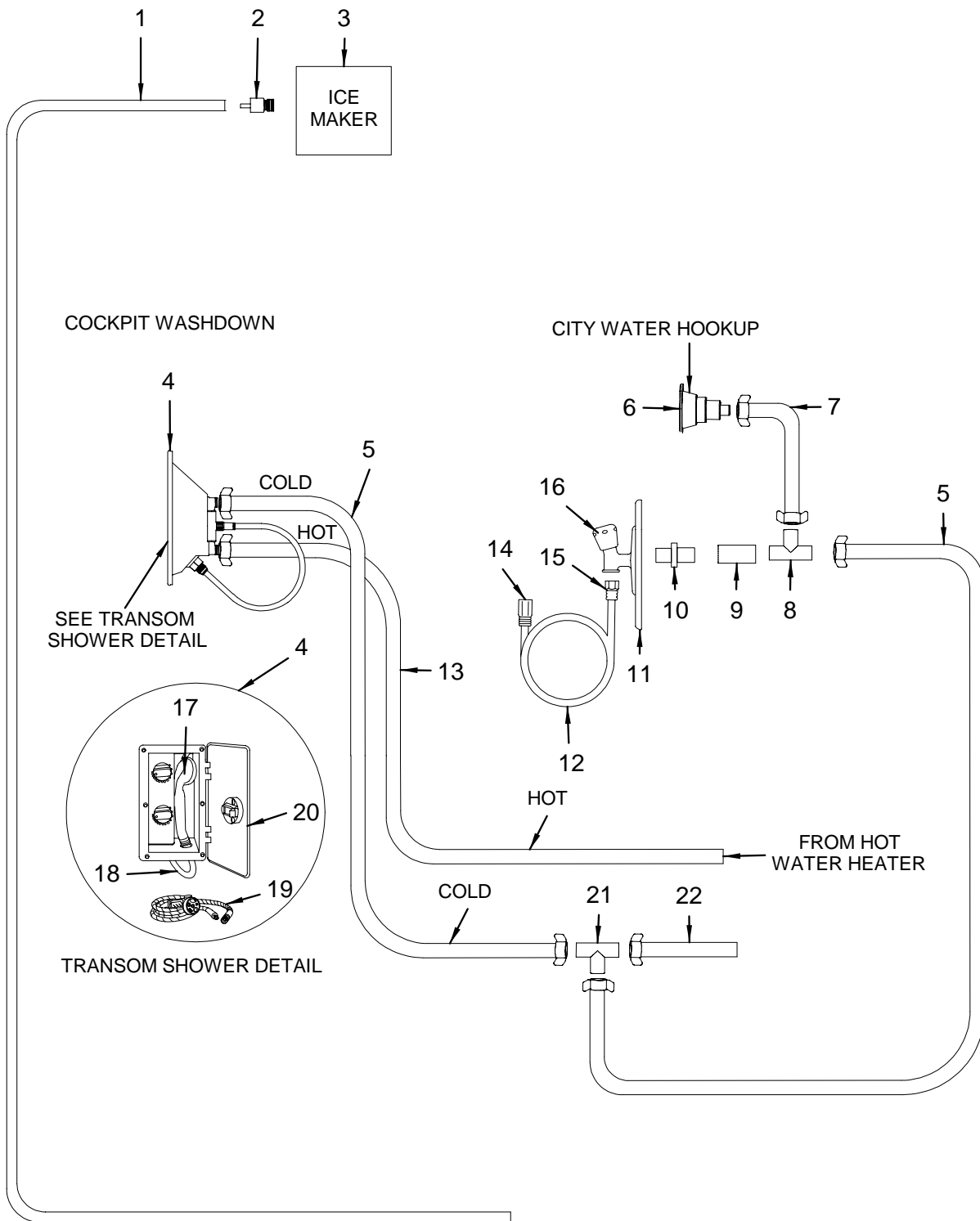
- 1 1688697 PANEL, 390/420/500 GEN FUEL CROSSOVER
- 2 140004 VALVE, BRASS 3-WAY FUEL 1/4"
- 3 140467 ELBOW, BRASS 90DEG 3/8"SAE X 1/4"MPT
- 4 140483 ADAPTER, BRASS 1/4"MPT X 3/8"SAE
- 5 170589 FITTING, BRASS 3/8"BARB/NUT
- 6 1478213 FERRULE, FUEL LINE 3/8"ISO/CE
- 7 1497486 HOSE, FUEL 3/8" ISO/CE W/PLAS LINER



WATER SYSTEM (MANIFOLDS)

- 1 1772639 MANIFOLD, SEATECH SNGL W/9CLD 5HOT VALVED
- 2 1689408 HOSE, UNIFLEX RED 1/2" SW/FPT PLAS 11'
- 3 1689412 HOSE, UNIFLEX RED 1/2" SW/FPT PLAS 16'
- 4 1689315 HOSE, UNIFLEX RED 1/2" SW/FPT PLAS 12'
- 5 1747602 HOSE, UNIFLEX RED 1/2" SW/FPT X 3/4"FGH 13'
(WASHER / DRYER COMBO - 120V/60)
(WASHER / DRYER COMBO - 220V/50)
- 6 1689435 HOSE, UNIFLEX RED 1/2" SW/FPT PLAS 24'
- 7 1689341 HOSE, UNIFLEX BLUE 1/2" SW/FPT PLAS 30'
- 8 1689336 HOSE, UNIFLEX BLUE 1/2" SW/FPT PLAS 20'
- 9 1689306 HOSE, UNIFLEX BLUE 1/2" SW/FPT PLAS 12'
- 10 1719101 HOSE, UNIFLEX BLUE 1/2" SW/FPT PLAS 10'
- 11 1689310 HOSE, UNIFLEX BLUE 1/2" SW/FPT PLAS 18'
- 12 1689333 HOSE, UNIFLEX BLUE 1/2" SW/FPT PLAS 11'
- 13 1747603 HOSE, UNIFLEX BLUE 1/2" SW/FPT X 3/4"FGH 10'
(WASHER / DRYER COMBO - 120V/60)
(WASHER / DRYER COMBO - 220V/50)
- 14 1719074 HOSE, UNIFLEX BLUE 1/2" SW/FPT PLAS 22'
- 15 1719115 HOSE, UNIFLEX BLUE 1/2" SW/FPT PLAS 5'
- 16 1689293 NIPPLE, UNIFLEX PLAS 1/2" UNION
- 17 1689301 HOSE, UNIFLEX BLUE 1/2" SW/FPT PLAS 2'

WATER SYSTEM (COCKPIT)



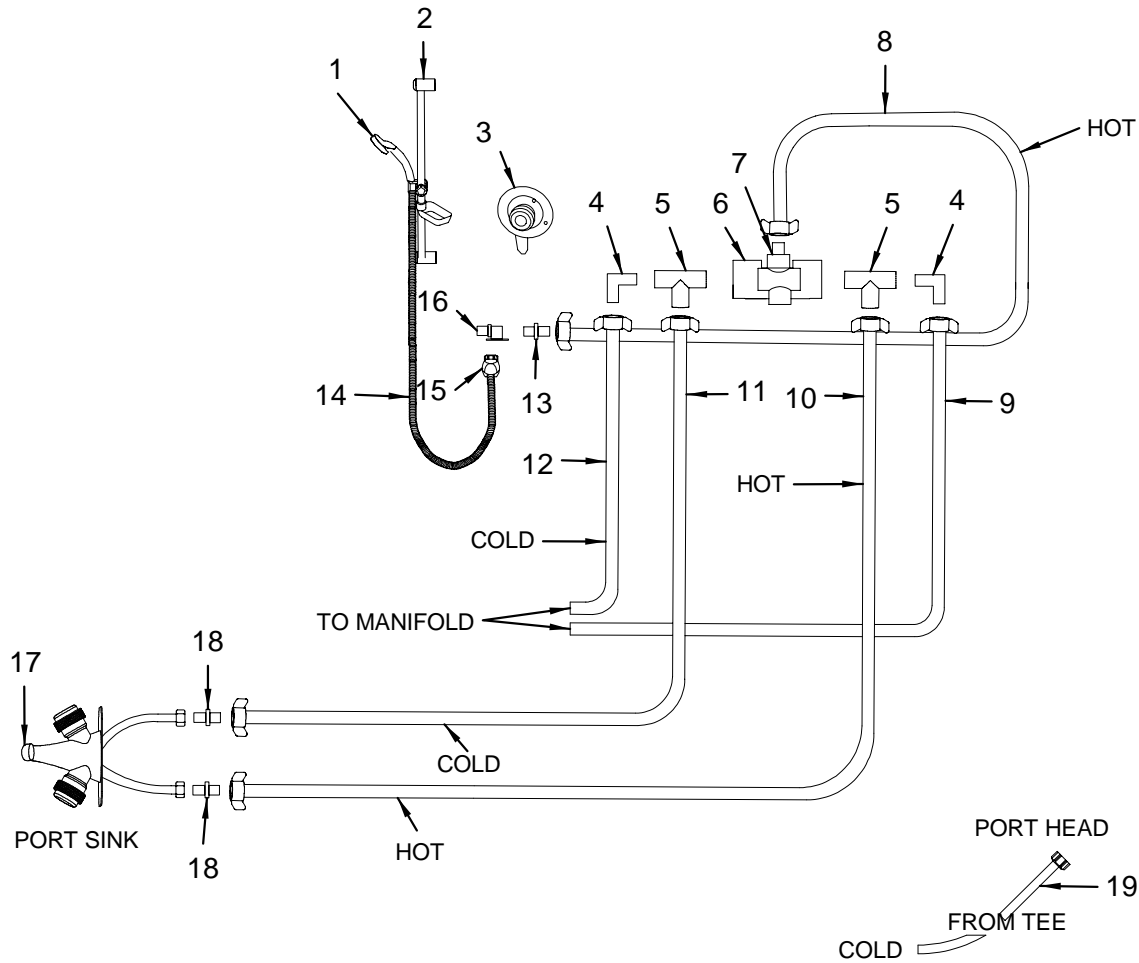
WATER SYSTEM (COCKPIT)

- 1 1215201 TUBING, SEATECH 1/4"OD X 1/8"ID X 1000' NAT'L
- 2 1044437 ADAPTER, BRASS GARDEN HOSE TO 1/4"90DEG
(COMES WITH ICE MAKER)
- 3 964924 ICE MAKER, 20 LB WHT W/FLNGE LOW/PROF 120V/60
- 965483 ICE MAKER, 20 LB WHT W/FLNGE LOW/PROF 220V/50
(220V)
- 1044437 ADAPTER, BRASS GARDEN HOSE TO 1/4"90DEG
- 4 736702 FAUCET, WASHDOWN BOX W/MIXER (AQUATIK) VERT
- 1298710 FAUCET, CARTRIDGE CERAMIC 90DEG LH
- 1302504 FAUCET, CARTRIDGE CERAMIC 90DEG RH
- 5 1689304 HOSE, UNIFLEX BLUE 1/2" SW/FPT PLAS 8'
- 6 141168 INLET, WATER W/PRESS REGULATOR WHT
- 7 1689301 HOSE, UNIFLEX BLUE 1/2" SW/FPT PLAS 2'
- 8 1425198 TEE, SEAFLEX BRS 1/2" MPT
- 9 506253 COUPLING, BRASS 1/2" FPT
- 10 288415 NIPPLE, BRASS 1/2" MPT X 1.5"
- 11 1745863 BULKHD, P/B 420DB-04 TRANS STRG SHR PWR INLT
- 12 124446 HOSE, GARDEN 5/8" WHT
- 13 1689435 HOSE, UNIFLEX RED 1/2" SW/FPT PLAS 24'
- 14 172742 HOSE, GARDEN 5/8" PLAS CONNECTOR MALE
- 15 172759 HOSE, GARDEN 5/8" PLAS CONNECTOR FEMALE
- 16 1096262 FAUCET, SILLCOCK WASHDOWN (WHITECAP)
- 17 1302603 FAUCET, WASHDOWN SPRAYER HEAD ONLY (AQUATIK)
- 18 1302595 FAUCET, WASHDOWN HOSE W/FPT ONLY (AQUATIK)
- 19 1302579 FAUCET, WASHDOWN SHOWER UNIT ONLY (AQUATIK)
- 20 1302587 FAUCET, WASHDOWN DOOR ONLY (AQUATIK)
- 1742646 LATCH, WASHDOWN DOOR (AQUATIK)
- 21 1689292 TEE, UNIFLEX PLAS 1/2" MPT
- 22 1689306 HOSE, UNIFLEX BLUE 1/2" SW/FPT PLAS 12'

NOT SHOWN

- 1689320 ELBOW, UNIFLEX PLAS 1/2" MPT X 1/2" FPT SWVL

WATER SYSTEM (PORT HEAD)



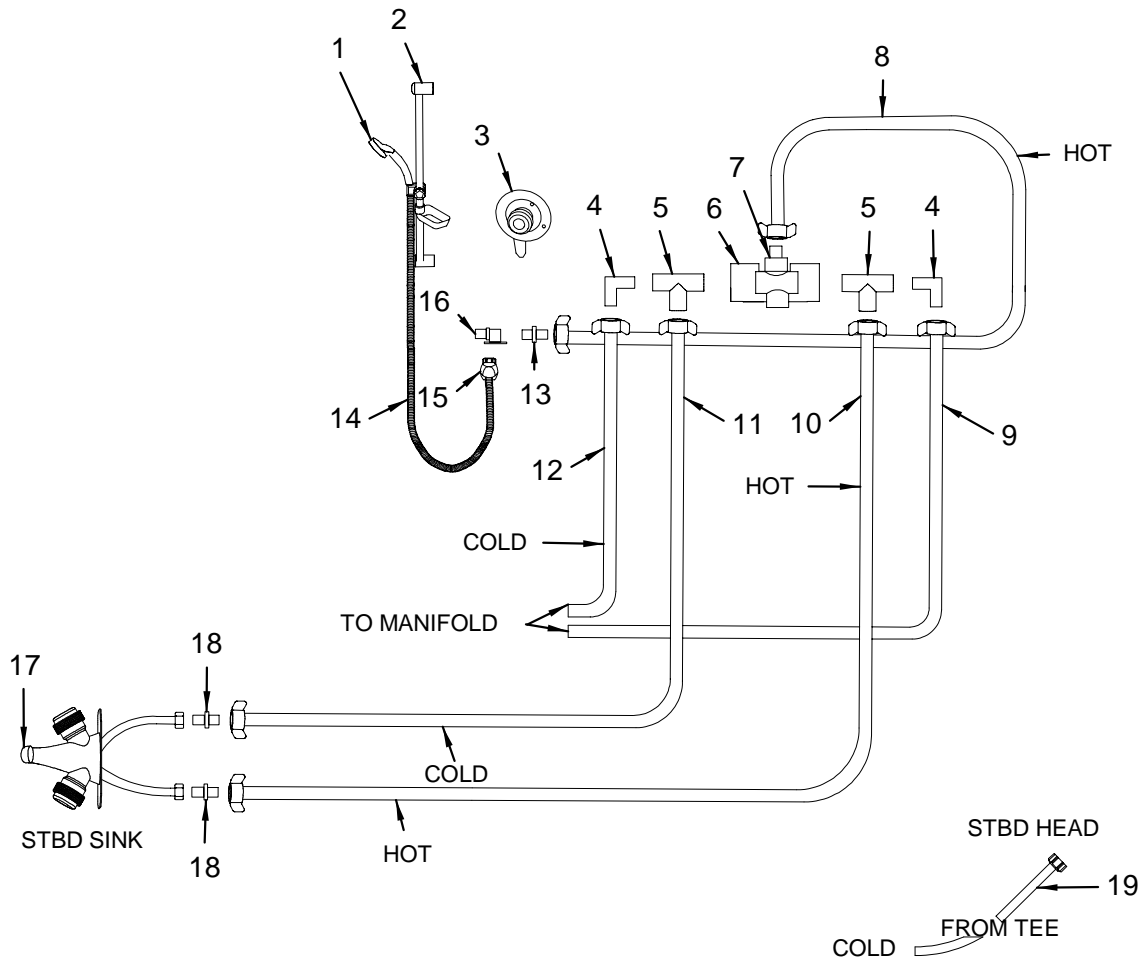
WATER SYSTEM (PORT HEAD)

- 1 916205 SHOWER, HAND HELD ANGLED RELEXA PLUS
- 2 916213 SHOWER BAR, SLIDE BAR 24" CHR (GROHE)
- 3 1429588 FAUCET, PRESS BAL VALVE TRIM EUROPLUS II
- 4 1429133 ELBOW, SEAFLEX BRS 1/2"MNPT X 1/2"FNPT STREET
- 5 1425198 TEE, SEAFLEX BRS 1/2"MPT
- 6 1275890 BRACKET, ALUM GROHE SHOWER MIXER MNT
- 7 1523349 FAUCET, BATH MIXER BRASS 3-WAY
- 8 1689410 HOSE, UNIFLEX RED 1/2" SW/FPT PLAS 14'
- 9 1689408 HOSE, UNIFLEX RED 1/2" SW/FPT PLAS 11'
- 10 1689398 HOSE, UNIFLEX RED 1/2" SW/FPT PLAS 2'
- 11 1689301 HOSE, UNIFLEX BLUE 1/2" SW/FPT PLAS 2'
- 12 1719101 HOSE, UNIFLEX BLUE 1/2" SW/FPT PLAS 10'
- 13 1139807 NIPPLE, BRS 1/2"MPT X HEX
- 14 916221 SHOWER, HOSE ASSY ONLY RELEXAFLEX CHR
- 15 900373 SHOWER, UNION FIXTURE CHR
- 16 1769585 FITTING, SEAFLEX ALL BRS SHWR W/FLNG 1/2"
- 17 1740969 FAUCET, LAV TALIA CTRSET SAT/NKL W/DRAIN
- 18 1227032 ADAPTER, SEATECH BRS 1/2"NPT X 3/8"COMP FAUC
- 19 1689336 HOSE, UNIFLEX BLUE 1/2" SW/FPT PLAS 20'

NOT SHOWN

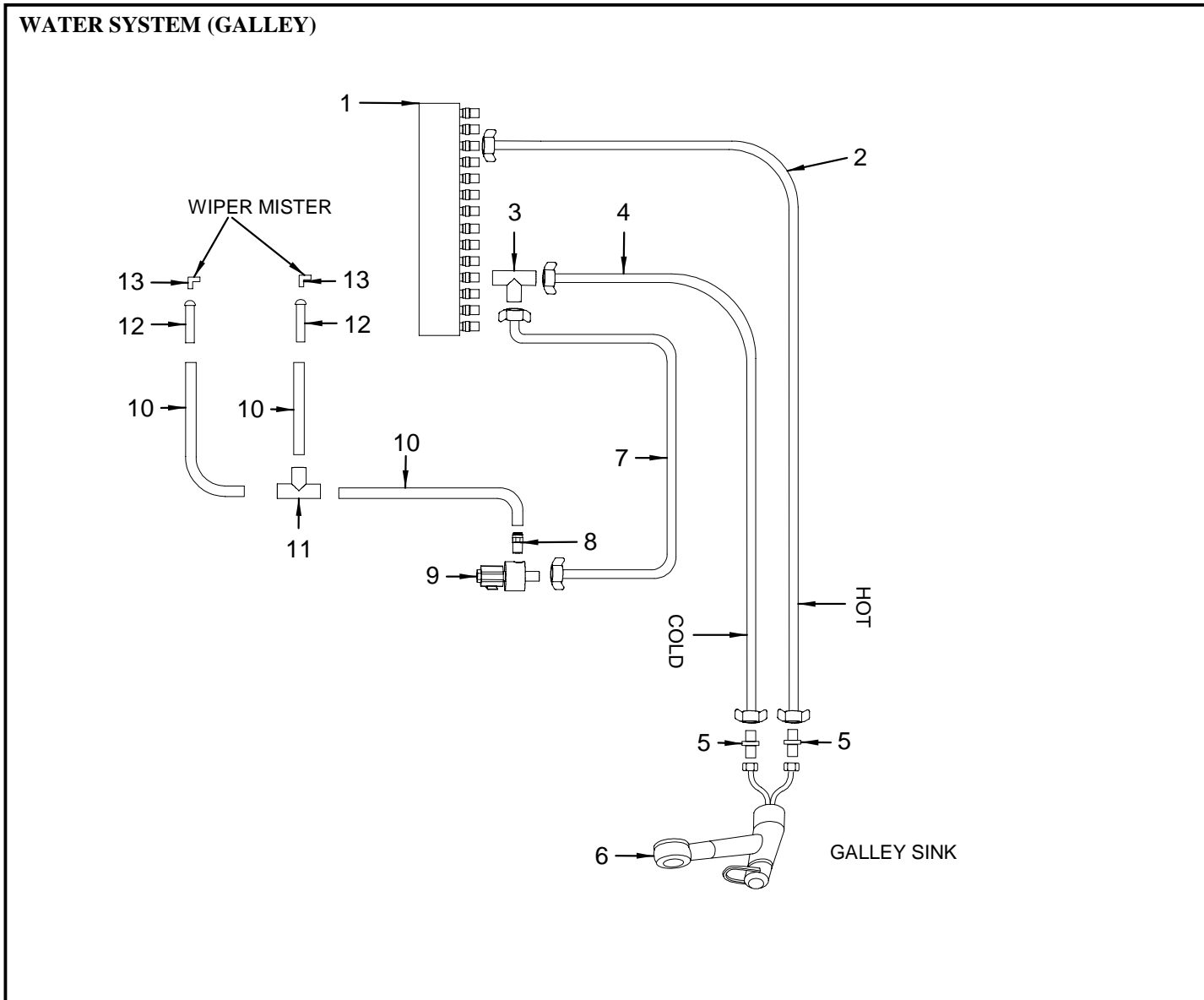
- 970970 ELBOW KIT, 08/48 OUTLET 90 DEG

WATER SYSTEM (STARBOARD HEAD)



WATER SYSTEM (STARBOARD HEAD)

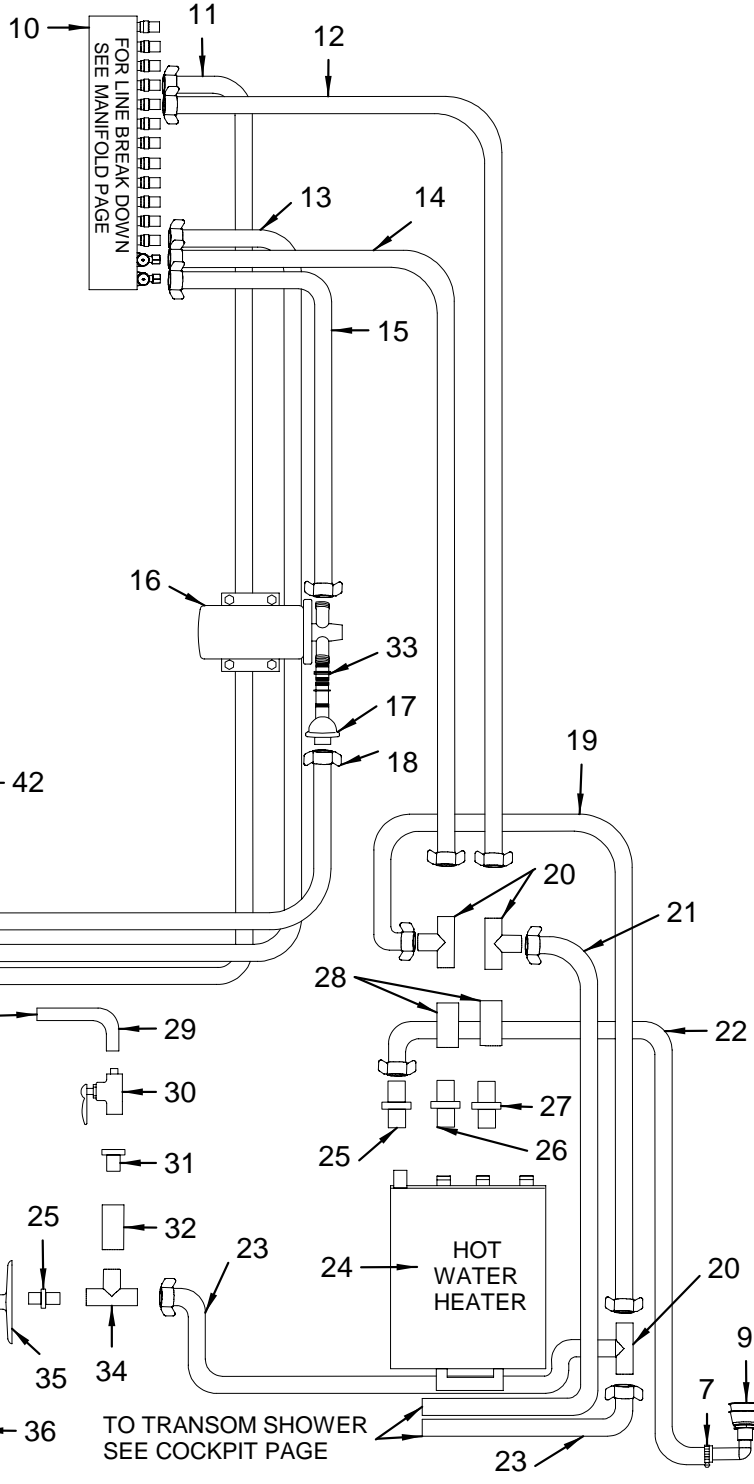
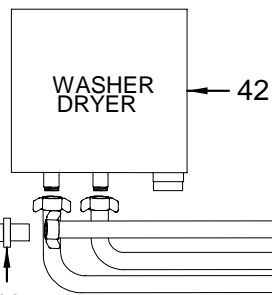
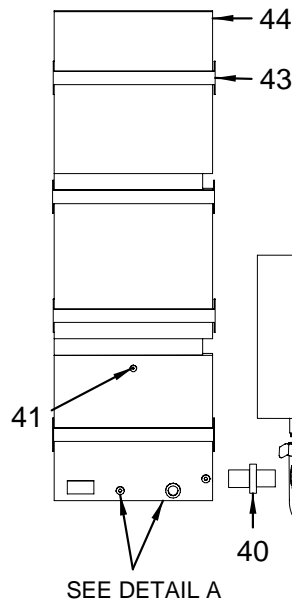
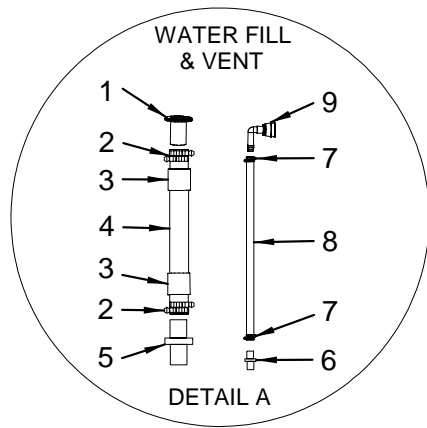
- 1 916205 SHOWER, HAND HELD ANGLED RELEXA PLUS
- 2 916213 SHOWER BAR, SLIDE BAR 24" CHR (GROHE)
- 3 1429588 FAUCET, PRESS BAL VALVE TRIM EUROPLUS II
- 4 1429133 ELBOW, SEAFLEX BRS 1/2"MNPT X 1/2"FNPT STREET
- 5 1425198 TEE, SEAFLEX BRS 1/2"MPT
- 6 1275890 BRACKET, ALUM GROHE SHOWER MIXER MNT
- 7 1523349 FAUCET, BATH MIXER BRASS 3-WAY
- 8 1689409 HOSE, UNIFLEX RED 1/2" SW/FPT PLAS 13'
- 9 1689412 HOSE, UNIFLEX RED 1/2" SW/FPT PLAS 16'
- 10 1689398 HOSE, UNIFLEX RED 1/2" SW/FPT PLAS 2'
- 11 1689301 HOSE, UNIFLEX BLUE 1/2" SW/FPT PLAS 2'
- 12 1689310 HOSE, UNIFLEX BLUE 1/2" SW/FPT PLAS 18'
- 13 1139807 NIPPLE, BRS 1/2"MPT X HEX
- 14 916221 SHOWER, HOSE ASSY ONLY RELEXAFLEX CHR
- 15 900373 SHOWER, UNION FIXTURE CHR
- 16 1769585 FITTING, SEAFLEX ALL BRS SHWR W/FLNG 1/2"
- 17 1740969 FAUCET, LAV TALIA CTRSET SAT/NKL W/DRAIN
- 18 1227032 ADAPTER, SEATECH BRS 1/2"NPT X 3/8"COMP FAUCT
- 19 1689306 HOSE, UNIFLEX BLUE 1/2" SW/FPT PLAS 12'



WATER SYSTEM (GALLEY)

- 1 1772639 MANIFOLD, SEATECH SNGL W/9CLD 5HOT VALVED
- 2 1689315 HOSE, UNIFLEX RED 1/2" SW/FPT PLAS 12'
- 3 1689322 TEE, UNIFLEX PLAS 1/2"SW/FM 1/2"MPT/MPT STACK
- 4 1689333 HOSE, UNIFLEX BLUE 1/2" SW/FPT PLAS 11'
- 5 1227032 ADAPTER, SEATECH BRS 1/2"NPT X 3/8"COMP FAUCT
- 6 1754620 FAUCET, GALLEY "ALIRA" P/O SPRAY SS
- 7 1689304 HOSE, UNIFLEX BLUE 1/2" SW/FPT PLAS 8'
(LOWER CONTROL STATION)
- 8 1599240 ADAPTER, SEATECH 1/4"MNPT X 1/4" PUSH-ON
(LOWER CONTROL STATION)
- 9 1719419 WIPER, SEATECH 2/DECK FIT WSHR KIT 90DG 12VDC
(LOWER CONTROL STATION)
- 1599232 VALVE, SEATECH BRASS WTR 12VDC
(LOWER CONTROL STATION)
- 1773928 ELBOW, SEATECH PLAS UNION
- 10 1215201 TUBING, SEATECH 1/4"OD X 1/8"ID X 1000' NAT'L
- 11 1599265 TEE, SEATECH PLAS 1/4" UNION
- 12 1599281 FITTING, SEATECH SS W/S WASHER DECK
- 13 1599273 ELBOW, SEATECH SS 3/16" STEM W/S WASHER

WATER SYSTEM (BILGE)



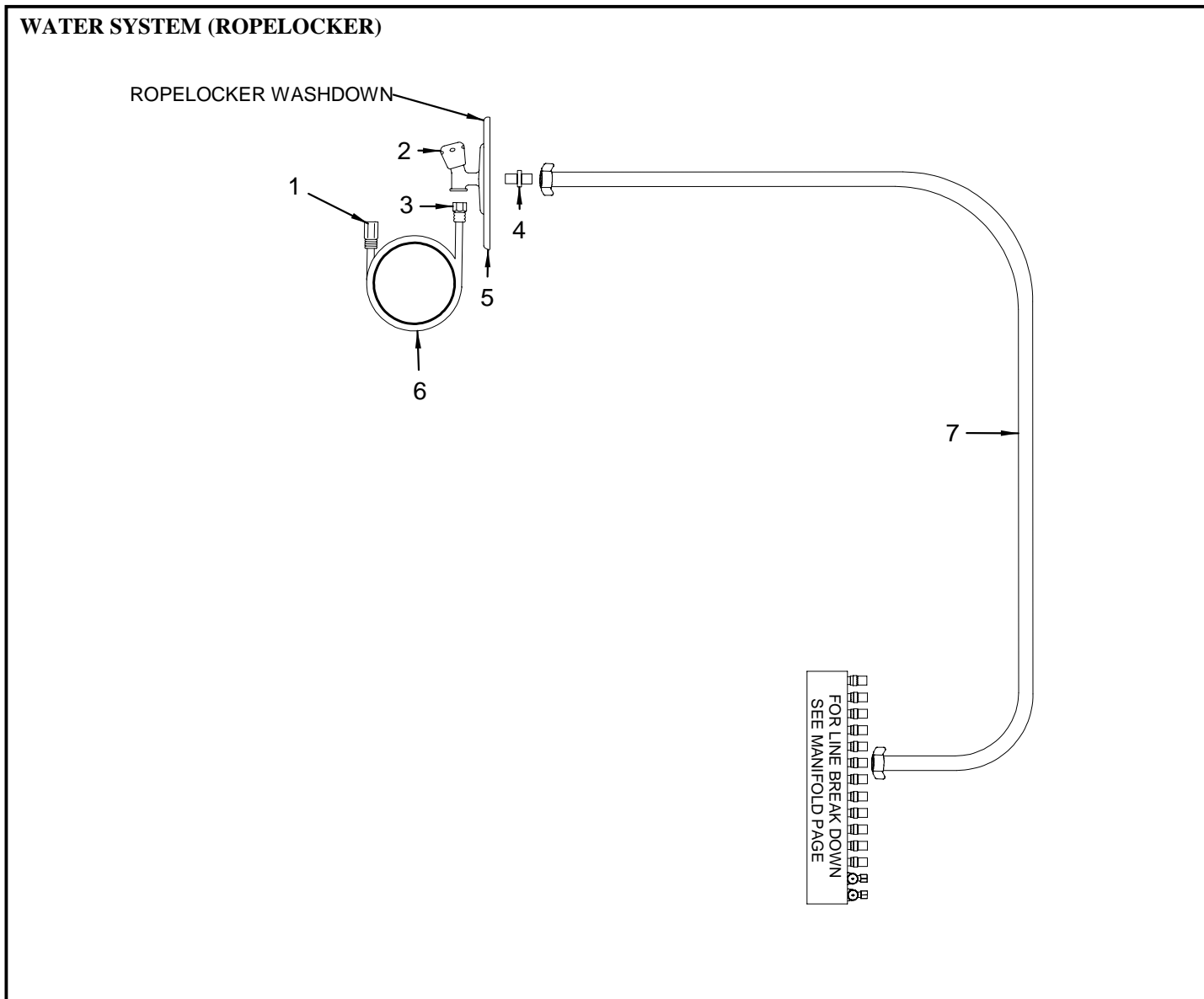
WATER SYSTEM (BILGE)

1	1109321	DECK PLATE, WATER SS BLUE CLR-CODE
	522581	DECK PLATE, CAP W/CHAIN
	522599	KEY, DECK PLATE CAP
2	123489	CLAMP, HOSE #24 1"-2" SS
3	172726	HOSE CUFF, 1.5" RH WHT
4	490219	HOSE, CORR SAN/WATER-FILL 1.5" RH
5	314781	ADAPTER, NYLON 1.5"MPT X 1.5"BARB
6	411090	ADAPTER, PVC 1/2"MPT X 1/2"BARB
7	417998	CLAMP, HOSE #04M 1/4"-5/8" SS MINI
8	1414945	HOSE, SEAFLEX 1/2"ID WHITE (SEA TECH)
9	1618651	VENT, FUEL/WATER SS 5/8" 90DEG FLSH SHALLOW
10	1772639	MANIFOLD, SEATECH SNGL W/9CLD 5HOT VALVED
	1446665	FITTING, CAP 1/2" FPT UNIFLEX PLAS
11	1747602	HOSE, UNIFLEX RED 1/2" SW/FPT X 3/4"FGH 13' (WASHER / DRYER COMBO - 120V/60) (WASHER / DRYER COMBO - 220V/50)
12	1689435	HOSE, UNIFLEX RED 1/2" SW/FPT PLAS 24'
13	1747603	HOSE, UNIFLEX BLUE 1/2" SW/FPT X 3/4"FGH 10' (WASHER / DRYER COMBO - 120V/60) (WASHER / DRYER COMBO - 220V/50)
14	1719074	HOSE, UNIFLEX BLUE 1/2" SW/FPT PLAS 22'
15	1719115	HOSE, UNIFLEX BLUE 1/2" SW/FPT PLAS 5'
16	1739002	PUMP, FRESH WTR SHURFLO 5.7GPM 12V EXTREME
17	1771298	FILTER, IN-LINE WATER STRNR EXTREME W/O BRKT
18	1689304	HOSE, UNIFLEX BLUE 1/2" SW/FPT PLAS 8'
19	1719115	HOSE, UNIFLEX BLUE 1/2" SW/FPT PLAS 5'
20	1425198	TEE, SEAFLEX BRS 1/2"MPT
21	1689435	HOSE, UNIFLEX RED 1/2" SW/FPT PLAS 24'
22	1746769	HOSE, UNIFLEX WHT 1/2" SW/FPT/BLNK 22'
23	1689304	HOSE, UNIFLEX BLUE 1/2" SW/FPT PLAS 8'
24	1142504	HEATER, WATER 11 GAL 110/60 W/75-210 T&P
	1790450	ELEMENT, HEATER WTR 11 GAL 110/60 W/75-210
	1156736	HEATER, WATER 11 GAL 220/50 W/75-210 T&P (220 VOLT / 50 CYCLE ELECTRICAL SYSTEM)
25	1139807	NIPPLE, BRS 1/2"MPT X HEX
26	1791673	VALVE, ZURN 1/2" MPT X 1/2" MPT CHECKVALVE (HULL#549->UP)
27	1429125	NIPPLE, SEAFLEX BRS 1/2"MPT HEX 3"LONG
28	506253	COUPLING, BRASS 1/2" FPT
29	1215201	TUBING, SEATECH 1/4"OD X 1/8"ID X 1000' NAT'L
30	1600030	VALVE, SEATECH SHUT OFF 1/4"MPT X 1/4" PUSHON
31	1689809	BUSHING, UNIFLEX PLAS 1/2"MPT X 1/4"FPT
32	1689762	COUPLING, UNIFLEX PLAS 1/2"FPT
33	1689762	COUPLING, UNIFLEX PLAS 1/2"FPT (HULL#601->UP)
	1769548	COUPLER, PLAS 1/2" FITTING (SHURFLO) (HULL#502->600)
34	1689322	TEE, UNIFLEX PLAS 1/2"SW/FM 1/2"MPT/MPT STACK
35	1595800	BOARD, HDPE SPYCHT WASHDOWN SPIGOT
36	124446	HOSE, GARDEN 5/8" WHT
37	172742	HOSE, GARDEN 5/8" PLAS CONNECTOR MALE
38	172759	HOSE, GARDEN 5/8" PLAS CONNECTOR FEMALE
39	1096262	FAUCET, SILLCOCK WASHDOWN (WHITECAP)
40	1689293	NIPPLE, UNIFLEX PLAS 1/2" UNION
41	1225861	SENDING UNIT, WATER 16"
	1602648	TUBE, PICK-UP WATER 15"
42	1743845	WASHER/DRYER, COMBO SPLENDIDE 2000 HD VEN RV1 (WASHER / DRYER COMBO - 120V/60) (WASHER / DRYER COMBO - 220V/50)
	1789107	WASHER/DRYER, SPLENDIDE 2000 DOOR ONLY
1302165		ADAPTER, BRASS 1/2"MPT X 3/4"FEMALE GRDN HSE (WASHER / DRYER COMBO - 120V/60)
1425164		ELBOW, SEAFLEX BRS 1/2"MPT X 1/2"MPT (WASHER / DRYER COMBO - 120V/60)
395103		COVER PLATE, WATERPROOF RECEPTACLE GRY (WASHER / DRYER COMBO - 120V/60)
577296		ADAPTER, PVC 3/4"BARB X 3/4"BARB (WASHER / DRYER COMBO - 120V/60)
611301		TRANSFORMER, STEP DOWN 240V TO 120V 1500WATTS (WASHER / DRYER COMBO - 220V/50)
975052		BRKR, 8000-SERIES 2P EURO GFCI 16A 10MA (WASHER / DRYER COMBO - 220V/50)
975060		BOX, 8000-SERIES 2MOD SURF MNT WEATHERPROOF (WASHER / DRYER COMBO - 220V/50)
975078		RECEPTACLE, GERMAN W/SURF MNT WEATHERPRF BOX (WASHER / DRYER COMBO - 220V/50)
1218536		LABEL, WARNING WASHER/DRYER (WASHER / DRYER COMBO - 120V/60) (WASHER / DRYER COMBO - 220V/50)
123877		HOSE, CORR SAN/WATER-FILL 3/4" (WASHER / DRYER COMBO - 120V/60) (WASHER / DRYER COMBO - 220V/50)
132258		HOSE CUFF, 3/4"RH (WASHER / DRYER COMBO - 120V/60)

42		(WASHER / DRYER COMBO - 220V/50)
	1690727	HOSE, DUCT ALUM 4" DRYER (SUPURR) (WASHER / DRYER COMBO - 120V/60) (WASHER / DRYER COMBO - 220V/50)
43	1737366	STRAP, WATER TANK 420DB-04 24.5"
44	1737360	TANK, WATER 420DB-04 - 120GAL

NOT SHOWN

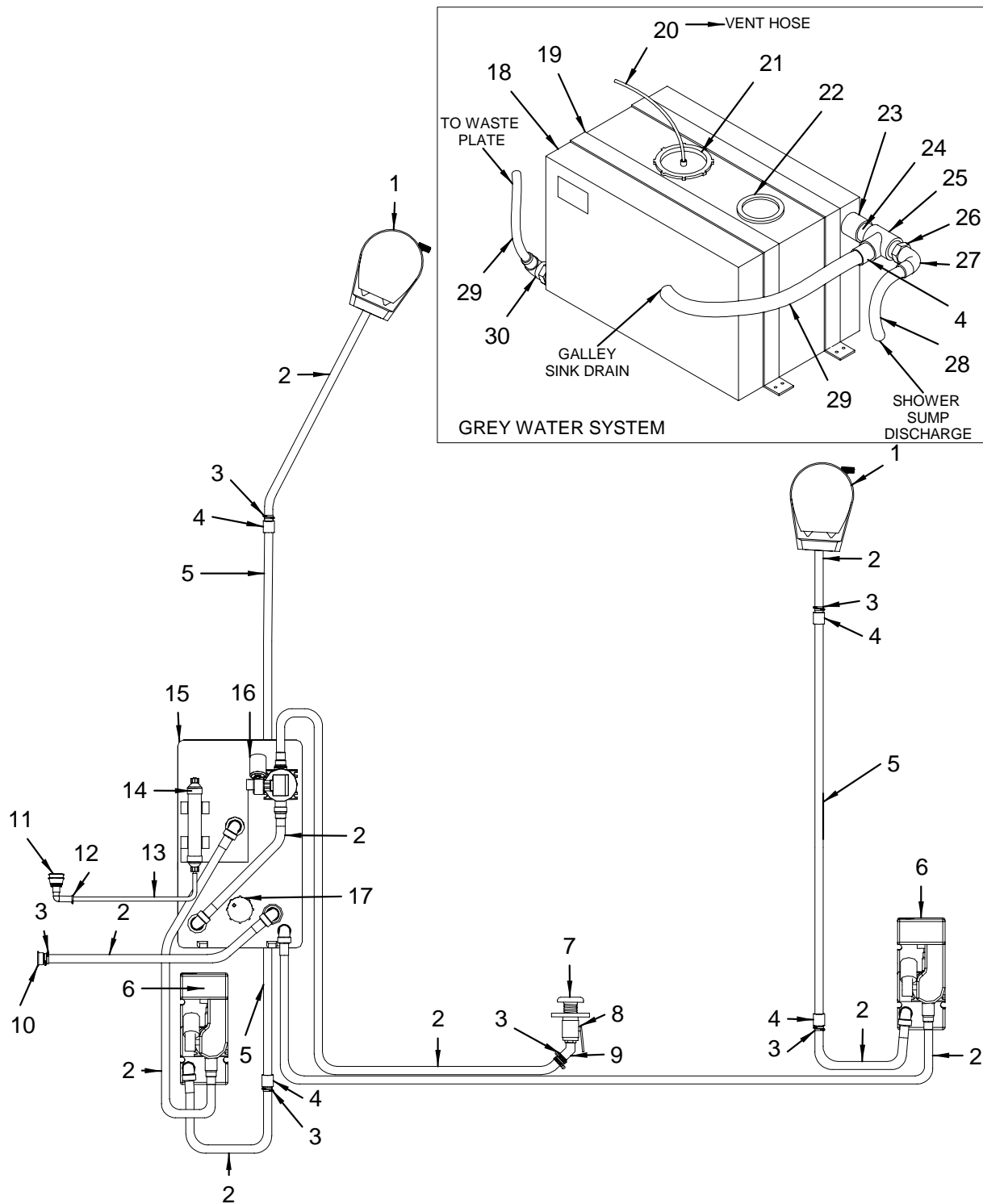
141671	TAILPIECE, PVC FLANGED 1.5"X 4"
797332	TANK, BRACKET PVC 1/4"X 2"X 2"X 8"



WATER SYSTEM (ROPELOCKER)

- 1 172742 HOSE, GARDEN 5/8" PLAS CONNECTOR MALE
- 2 1096262 FAUCET, SILLCOCK WASHDOWN (WHITECAP)
- 3 172759 HOSE, GARDEN 5/8" PLAS CONNECTOR FEMALE
- 4 1139807 NIPPLE, BRS 1/2"MPT X HEX
- 5 1595800 BOARD, HDPE SPYCHT WASHDOWN SPIGOT
- 6 124446 HOSE, GARDEN 5/8" WHT
- 7 1689341 HOSE, UNIFLEX BLUE 1/2" SW/FPT PLAS 30'

SEWAGE SYSTEM



SEWAGE SYSTEM

1	1744869	HEAD, VACU-FLUSH BONE 1008 BTM DIS
	1784547	SEAT ASSY, CVR/SEAT/HNG PIN BONE
2	846899	HOSE, SANI 1.5" PREMIUM RBR BLK
3	123489	CLAMP, HOSE #24 1"-2" SS
4	184101	ADAPTER, PVC 1.5"OD X 1.5"ID SLIP
5	627885	PIPE, PVC SCH 40 BOE PIPE 2"
6	1590868	VACUUM GEN, HEAD SYS PUMP/SHTDWN RELAY 12VDC
7	124644	THRU-HULL, BRZ 1.5" N/ NUT (MACERATOR W/ SEACOCK INTERLOCK SYSTEM)
8	518456	SEACOCK, BRZ 1.5" W/O TAILPIECE (MACERATOR W/ SEACOCK INTERLOCK SYSTEM)
	1347160	SWITCH, SEACOCK INTERLOCK W/168" LEADS/CONN (MACERATOR W/ SEACOCK INTERLOCK SYSTEM)
9	637389	ELBOW, RED BRASS 45DEG 1.5"MPT X 1.5"BARB (MACERATOR W/ SEACOCK INTERLOCK SYSTEM)
10	1752438	DECK PLATE, WASTE SS BLK CLR-CODE W/INT SYMBL
	522581	DECK PLATE, CAP W/CHAIN
	522599	KEY, DECK PLATE CAP
11	1618651	VENT, FUEL/WATER SS 5/8" 90DEG FLSH SHALLOW
12	123414	CLAMP, HOSE #12M 5/8"-1.25" SS MINI
13	124719	HOSE, SANI/CHEMICAL TDX 5/8"
14	134759	FILTER, HEAD TREATMENT SYSTEM
15	1596246	TANK, HOLDING 40 GAL WO/12V OVBD DIS W/2INLTS
	1596238	TANK, HOLDING 40 GAL W/12V OVBD DIS W/2INLETS (MACERATOR W/ SEACOCK INTERLOCK SYSTEM)
	1809104	SENDING UNIT, HOLDING 40 GAL W/12V OVBD DIS (MACERATOR W/ SEACOCK INTERLOCK SYSTEM)
	1809105	PICKUP TUBE, HOLDING 40 GAL W/12V OVBD DIS (MACERATOR W/ SEACOCK INTERLOCK SYSTEM)
	1413616	TANK, HOLDING NEW OWNERS GIFT PACK
16	1302058	PUMP, HEAD SYS MACERATOR W/RELAY/CONN 12V
	134858	PUMP, HEAD SYS MACERATOR
17	1750930	SENDING UNIT, HOLD TANK CAP FOR MRP 1596246
18	1298298	TANK, HOLDING 40 GAL 400DB-00 (GRAY WATER SYSTEM)
19	1298280	STRAP, HOLDING TANK 40GAL 400DB-00 (GRAY WATER SYSTEM)
20	1058957	HOSE, WATER A/C WHT 5/8" (GRAY WATER SYSTEM)
	123398	CLAMP, HOSE #06M 5/16"-7/8" SS MINI (GRAY WATER SYSTEM)
	1618651	VENT, FUEL/WATER SS 5/8" 90DEG FLSH SHALLOW (GRAY WATER SYSTEM)
21	664813	SENDING UNIT, HOLD TANK CAP W/PROBE (3-POS) (GRAY WATER SYSTEM)
22	1235456	VALVE, HOLDING TANK RELIEF 1.5"TANK SAVER (GRAY WATER SYSTEM)
23	168187	ADAPTER, PVC 1.5"MPT X 1.5"FM SLIP (GRAY WATER SYSTEM)
24	149757	PIPE, PVC SCH 40 BOE PIPE 1.5" (GRAY WATER SYSTEM)
25	167502	TEE, PVC 1.5"FM SLIP (GRAY WATER SYSTEM)
26	698183	BUSHING, PVC 1.5"M SLIP X 1"FPT (GRAY WATER SYSTEM)
27	168039	ELBOW, PVC 1"MPT X 1"BARB X 90DEG (GRAY WATER SYSTEM)
28	466664	HOSE, CORR VAC 1" RH (GRAY WATER SYSTEM)
	466615	HOSE CUFF, 1" RH WHT (GRAY WATER SYSTEM)
	123489	CLAMP, HOSE #24 1"-2" SS (GRAY WATER SYSTEM)
29	490219	HOSE, CORR SAN/WATER-FILL 1.5" RH (GRAY WATER SYSTEM)
	172726	HOSE CUFF, 1.5" RH WHT (GRAY WATER SYSTEM)
	123489	CLAMP, HOSE #24 1"-2" SS (GRAY WATER SYSTEM)
30	130344	ELBOW, PVC 1.5"MPT X 1.5"BARB X 90DEG

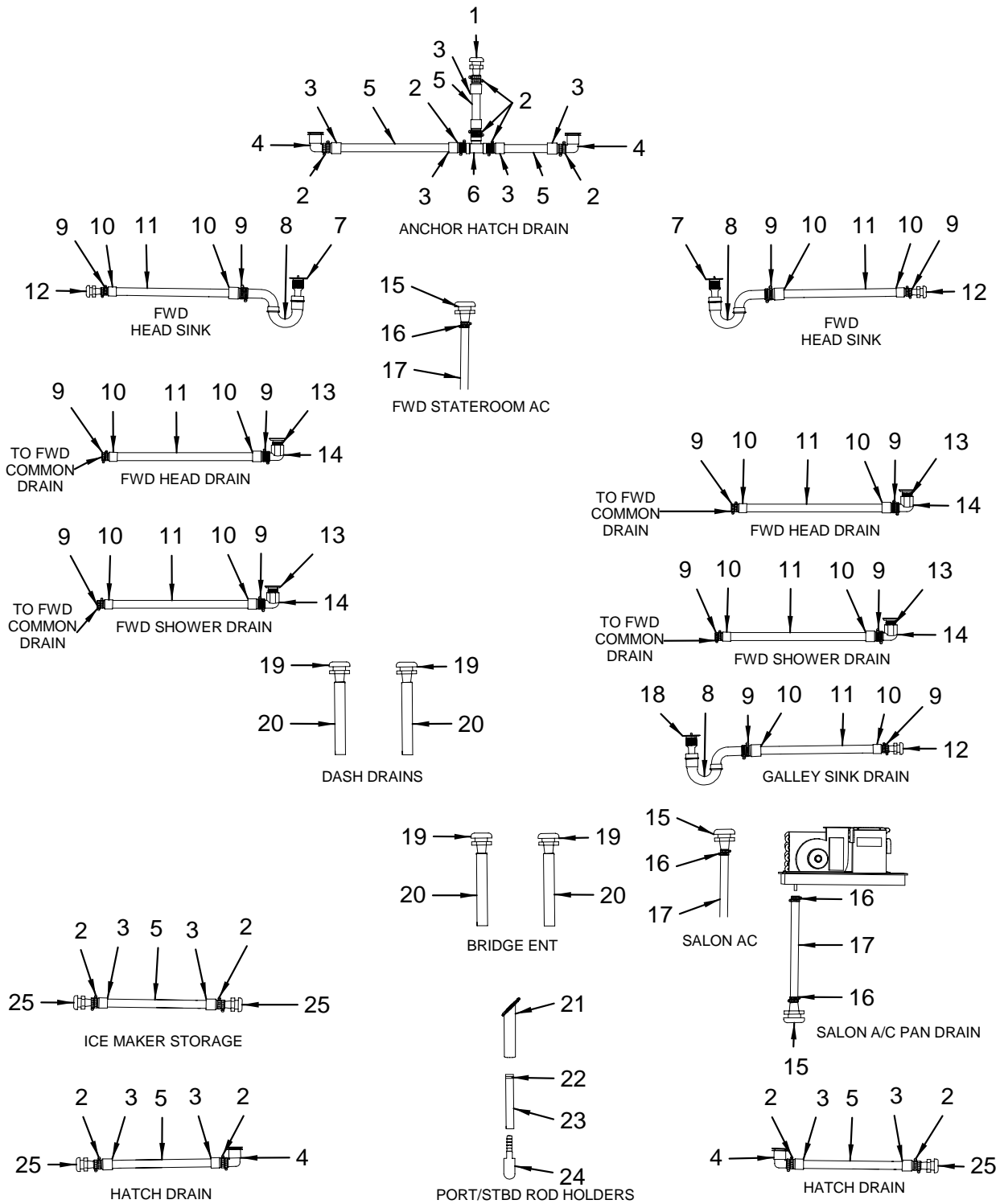
LABELS

1745156	LABEL, NOTICE OVERBOARD DISCHARGE (LEXAN)
1745514	LABEL, PREVENT DISCHARGE OF POLLUTANTS

NOT SHOWN

123646	CLAMP, LOOM VINYL DIP #32 2"
124412	HOSE, PVC CLEAR/WHT W/RED TRACER 5/8"
124487	THRU-HULL, PLAS 5/8" WHT
261362	CLAMP, LOOM VINYL DIP #48 3"
1667484	PANEL, 400DB GRAY WATER INDICATOR CEY BEIGE (GRAY WATER SYSTEM)
1683218	SHOWER, SUMP ASSY 12V W/800 PUMP/CHCK VLV MOD (GRAY WATER SYSTEM)

DRAINAGE SYSTEM (DRAINS)



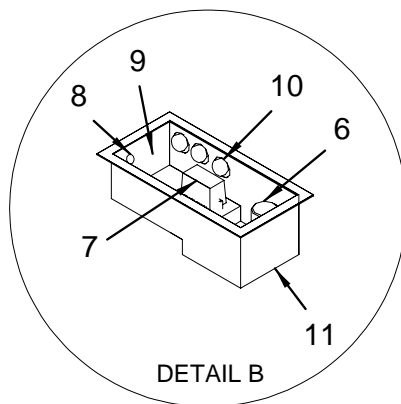
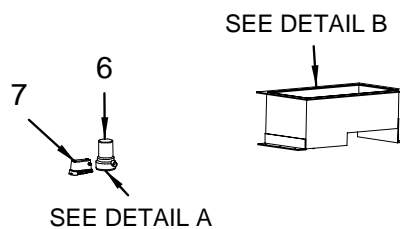
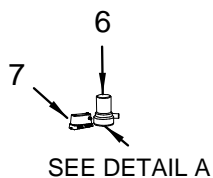
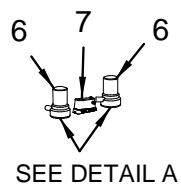
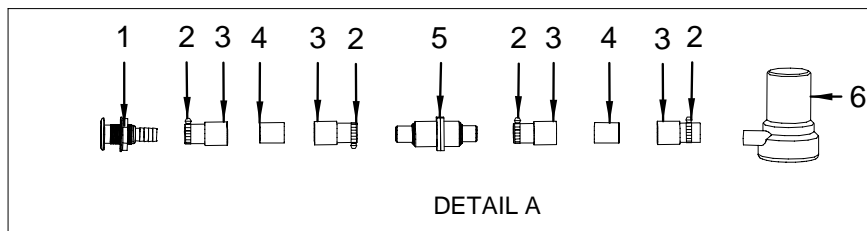
DRAINAGE SYSTEM (DRAINS)

1	124578	THRU-HULL, PLAS 1 1/8" WHT
2	123463	CLAMP, HOSE #16 3/4"-1.5" SS
3	466615	HOSE CUFF, 1" RH WHT
4	266130	DRAIN, LINER W/90 DEG ELBOW 1" PLASTIC
5	466664	HOSE, CORR VAC 1" RH
6	280206	TEE, PVC 1" BARB
7	175687	DRAIN, SINK STRAINER 2.5" SS W/5/8" BARB
8	162453	DRAIN, P-TRAP ASSY W/CONN 1.25"-1.50"
	184101	ADAPTER, PVC 1.5"OD X 1.5"ID SLIP (FOR GALLEY ONLY)
9	123489	CLAMP, HOSE #24 1"-2" SS
10	172726	HOSE CUFF, 1.5" RH WHT
11	490219	HOSE, CORR SAN/WATER-FILL 1.5" RH
12	1521426	THRU-HULL, SS 1.5"X 1.5" BARB
13	196782	DRAIN ASSY, SHOWER 1.5"
	344762	DRAIN ASSY, SHOWER SLIP NUT 1.5"
14	141515	ELBOW, PVC 1.5"FPT X 1.5" BARB X 90DEG
15	1521434	THRU-HULL, SS 1 1/8"X 3/4" BARB
16	123406	CLAMP, HOSE #12 1/2"-1.25" SS
17	1058957	HOSE, WATER A/C WHT 5/8"
18	175687	DRAIN, SINK STRAINER 2.5" SS W/5/8" BARB
19	1195478	DRAIN, PUSH IN 3/8" BLK
	916833	DRAIN, PUSH IN 3/8" WHT
20	124347	HOSE, PVC CLEAR 3/8"
21	1795401	ROD HOLDER, FLUSH MNT SS 30DEG CONTR W/LOGO (HULL#567->UP) (ROD HOLDERS) (REPLACED 1313915)
	1313915	ROD HOLDER, FLUSH MNT SS 30DEG CONTR MED (HULL#502->566) (ROD HOLDERS) (NO LONGER AVAILABLE ORDER 1795401 W/SR LOGO)
22	1126747	TIE, CABLE 8.5" SCREW MNT BLK SS BARB
23	124354	HOSE, PVC CLEAR 1/4"
24	847566	DRAIN, SHIELDED 5/8" IMPACT W/BARB WHT
25	1687508	THRU-HULL, SS 1 1/8"X 1 1/8" BARB

NOT SHOWN

123638	CLAMP, LOOM VINYL DIP 1.5"
1453984	FITTING, NEPT 1/2" FEM SWVL BLK
146761	TAPE, FOAM SGL FACE BLK VINYL 1/8"X 1/4"
168344	ADAPTER, PVC 1.5"FPT X 1.5"FM SLIP

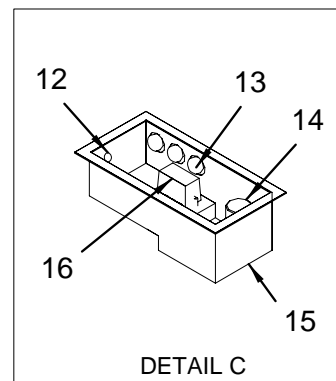
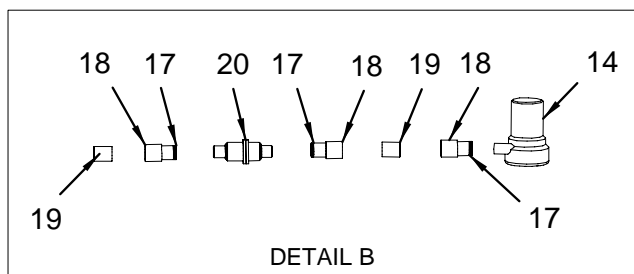
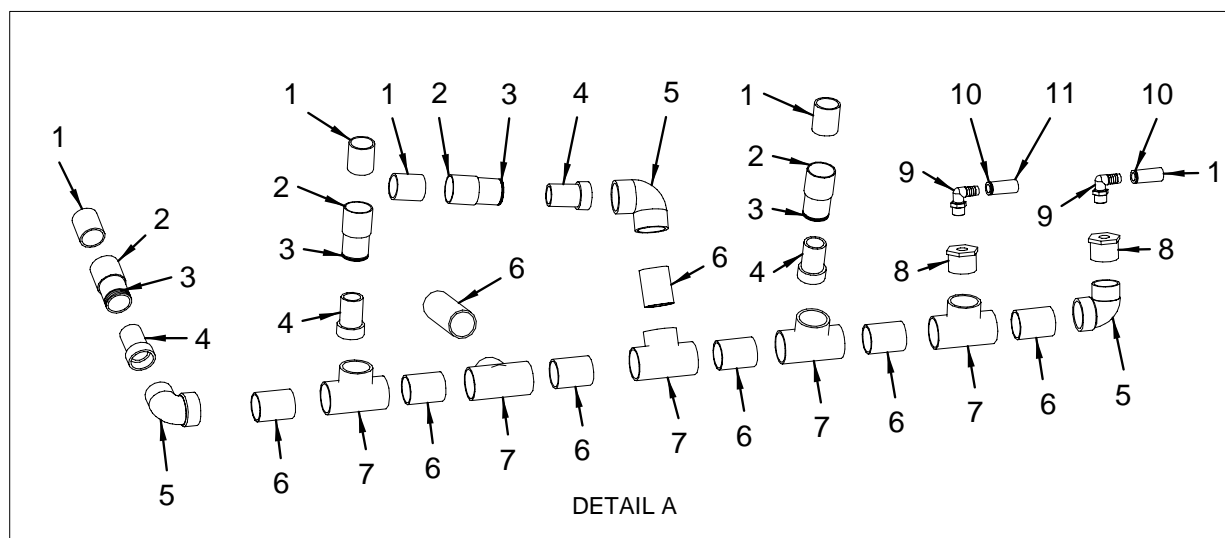
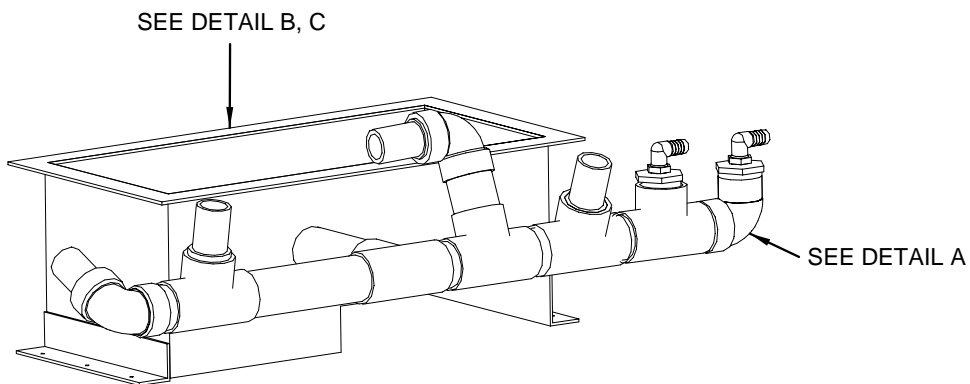
DRAINAGE SYSTEM (BILGE PUMP AND SUMP)



DRAINAGE SYSTEM (BILGE PUMP AND SUMP)

- 1 1687508 THRU-HULL, SS 1 1/8" X 1 1/8" BARB
- 2 123406 CLAMP, HOSE #12 1/2"-1.25" SS
- 3 466615 HOSE CUFF, 1" RH WHT
- 4 466664 HOSE, CORR VAC 1" RH
- 5 555375 VALVE, CHECK WHALE 1"-1.5"
- 6 125443 PUMP, BILGE 2000GPH
- 7 1193671 SWITCH, FLOAT RULE W/CVR
- 8 124537 THRU-HULL, PLAS 1.5" WHT
- 9 1740381 LID, PLEX 11" X 23" SHOWER SUMP
- 10 1367689 GROMMET, 1.5" UNISEAL
- 11 1597822 SHOWER, SUMP BLANK W/MNT HDWR/FLANGE/SCW SCKT

DRAINAGE SYSTEM (FORWARD COMMON DRAIN)



DRAINAGE SYSTEM (FORWARD COMMON DRAIN)

1	490219	HOSE, CORR SAN/WATER-FILL 1.5" RH
2	172726	HOSE CUFF, 1.5" RH WHT
3	123489	CLAMP, HOSE #24 1"-2" SS
4	184101	ADAPTER, PVC 1.5"OD X 1.5"ID SLIP
5	268797	ELBOW, PVC 1.5"F SLIP X 1.5"M SLIP X 90DEG
6	149757	PIPE, PVC SCH 40 BOE PIPE 1.5"
7	167502	TEE, PVC 1.5"FM SLIP
8	1412543	BUSHING, PVC 1.5"M SLIP X 1/2"FPT
9	411132	ELBOW, PVC 1/2"MPT X 1/2"BARB X 90DEG
10	123398	CLAMP, HOSE #06M 5/16"-7/8" SS MINI
11	1058957	HOSE, WATER A/C WHT 5/8"
12	124537	THRU-HULL, PLAS 1.5" WHT
13	1367689	GROMMET, 1.5" UNISEAL
14	125443	PUMP, BILGE 2000GPH
15	1597822	SHOWER, SUMP BLANK W/MNT HDWR/FLANGE/SCW SCKT
16	1193671	SWITCH, FLOAT RULE W/CVR
17	123406	CLAMP, HOSE #12 1/2"-1.25" SS
18	466615	HOSE CUFF, 1" RH WHT
19	466664	HOSE, CORR VAC 1" RH
20	555375	VALVE, CHECK WHALE 1"- 1.5"



T-CUMMINS 6CTA 8.3M (T-417 PHP) INBOARDS

- 1750701 I/B, CUM 417 SHP 6CTA8.3M ZF280 1.769:1 LH
- 1750702 I/B, CUM 417 SHP 6CTA8.3M ZF280 1.769:1 RH

T-CUMMINS 480CE (T-446 PHP) INBOARDS DIESEL

- 1507326 ACC PART, MERC S-CRFT JUNC BOX 4-WAY
- 1610385 ACC PART, MERC S-CRFT SYS VIEW
- 1507334 ACC PART, MERC S-CRFT TERMINATOR JUNC BOX
- 1794016 ACC PART, MERC S-CRFT TRNS W/19' DEP/TMP
- 1690371 ACC PART, MERC S-CRFT TRNS W/19' NYL DEP/TEMP
- 1507342 ACC PART, MERC S-CRFT WTHR CAP 10POS CAP
- 1610500 ACC PART, MERC S-CRFT WTHR CAP 3POS CAP
- 1610518 ACC PART, MERC S-CRFT WTHR CAP 3POS PLUG
- 1765143 BRACKET, SS 1.5" RUDDER INDCTR W/S-CRFT 6.25"
- 826586 BRKR/ROCK, SGL-POLE MNL RESET DC 15A RED
- 1336007 CABLE, CONTROL TELEFLEX TFXTREME 6'
- 1609007 GAUGE, 5" 4-IN-1 FUEL/VOLT/OIL/TMP S-CRFT
- 1690513 GAUGE, TACH VDO 0-4000 RPM
- 1742528 HARNESS, 420DB-04 ENG CUM 480CE
- 1676600 HARNESS, DATA S-CRFT SC1000 1000-10'
- 1690514 HARNESS, DATA S-CRFT SC1000 1000-30'
- 1689718 HARNESS, MERC S-CRFT STEER EXT
- 1610427 HARNESS, MERC S-CRFT STEERING SNSR ASSY
- 1752721 I/B, CUM 446 SHP 480CE ZF280A2 1.769:1 LH RV1
- 1752722 I/B, CUM 446 SHP 480CE ZF280A2 1.769:1 RH RV1
- 1745159 LABEL, CAUTION BUSS ELECTRONICS (LEXAN)
- 1689740 MODULE, DSL ENG TO S-CRFT CUMMINS 480CE
- 1744885 PANEL, BLANK:420DB-04 INST W/SCRFT/GPS/SYSV
- 1750562 PANEL, P/B 420DB-04 480CE OPT ENG DIAGNOSTIC
- 1748061 PROP, 26"X 26"X 2" L4BC NIBRAL TEIGNBRIDGE
- 1748062 PROP, 26"X 26"X 2" R4BC NIBRAL TEIGNBRIDGE

SALON TABLE

- 1727530 BASE, TBL ELLIP W/CHAMFERED EDGE ANOD
- 1473818 MOUNT, TBL SUPPORT
- 1690313 POST, TBL LEG 17.5"-27.5" W/GAS CYL 2 7/8"DIA
- 1757728 TABLE TOP, SPYCHT SLN SQ N/LIP FNSHD CHERRY

SEA RAY NAVIGATOR II 12.1 CHARTPLOTTER

- 1767034 BOOT, DEUTSCH DTP 2-POS MALE
- 1791436 COVER, INST SRNII 12.2 VIN BURL
- 1795127 COVER, PLAS PROTECTIVE SRNII NAVIGATOR
- 188060 EMBLEM, "SEA RAY" SCRIPT CHROME 5"
- 731018 FUSE, BLADE TYPE CLOSED 15A
- 1691481 HARNESS, ENG MERC S-CRFT SC100 EXT 3'
- 1757380 HARNESS, TRANSDUCER DEPTH/TEMP 60' SRN2
- 1764499 LABEL, SEA RAY NAV USB PORT
- 1757378 MANUAL, OWNERS SRN2 SOFTWARE-DATA-NOTEBOOK KB
- 788711 MOUNT, ANTENNA DECK GPS SS
- 1766896 NAVIGATOR, SRNII CBL AUTOPILOT
- 1757385 NAVIGATOR, SRNII CBL DISPLAY PWR/DATA
- 1757383 NAVIGATOR, SRNII GPS ANTENNA NMEA
- 1757377 NAVIGATOR, SRNII MODEL 12.1 COMPUTER
- 1763058 NAVIGATOR, SRNII MOUSE REMOTE CNTRL
- 1783896 NAVIGATOR, SRNII MOUSE REMOTE CNTRL REV II
- 1758689 NAVIGATOR, SRNII PWR SUPPLY
- 1757382 NAVIGATOR, SRNII TRANSDUCR DEPTH/TEMP W/PT NY
- 1774942 PANEL, BLANK:420DB-05 INST TELE SRNII
- 1408376 PLUG KIT, DEUTSCH DTP06-2S PLUG W/SOCKET
- 1717517 PLUG KIT, DEUTSCH F/C 10-12AWG SCKT
- 1408400 PLUG KIT, DEUTSCH SEC LOCK SCKT 2-POS
- 1776486 RECEPTACLE, SRN II USB SOCKET W/CONN

BOSE LS48/DVD ACCOUSTIMAS FWD STRM-120V/60

- 449587 BATTERY, AA 1.5V
- 180463 BOX, RECEPTACLE HANDY DUPLEX METAL
- 1497510 CABLE, 50' EXT FOR AM5PIV/B
- 1607399 CABLE, BOSE OPT 6'
- 731182 CABLE, RCA AUDIO "Y" (1-FM/ 2-M)
- 192500 CONN, ROMEX PLAS 1/2"
- 145078 COVER PLATE, SGL DUPLEX RECEPT BRN
- 145094 RECEPTACLE, DUPLEX BRN 15A
- 1398569 SPEAKER, ACOUSTIMAS 5 SERIES BLK DUAL VOLTAGE
- 917617 SPEAKER, WALL MNT BRACKET BLK
- 1689511 STEREO, LIFESTYLE 35 MUSIC SYS
- 1690174 STEREO, REMOTE CNTRL LS28//35 ZONE 2 KIT

ACR SPOTLIGHT

- 1756729 PAD, SPOTLIGHT REMOTE CONTROL
- 930263 SPOTLIGHT, ACR HALOGEN WHT 12V
- 1756730 SPOTLIGHT, MASTER CONTROLLER W/LIGHT TURN-ON

NORTHSTAR 491 FISHFINDER (ONLY W/ 6000I)

- 1795128 DEPTH FINDER, NRTHSTR 491FF MODULE
- 1778283 DEPTH SOUNDER, NRTHSTR 490-S ECHO SOUNDER
- 265983 FUSE, BLADE TYPE ATO 10A
- 1795137 HARNESS, NRTHSTR 491FF TRANS DPTH/TMP 60'
- 1795135 TRANSDUCER, NRTHSTR 491FF DEP/TEMP W/6'PGTAIL

DARK CHERRY FINISH

- 1798745 DK CHERRY, 420DB-05 SOFA INSERT RIGHT
- 1798747 DK CHERRY, 420DB-05 TRIM VERT 12"
- 1798750 DK CHERRY, 420DB-05 TRIM VERT 40SH 30"
- 1798751 DK CHERRY, 420DB-05 TRIM VERT 54"
- 1798748 DK CHERRY, 420DB-05 TRIM VERT 72"
- 1798749 DK CHERRY, 420DB-05 TRIM VERT 78"
- 1778153 DK CHERRY, EDGE BND .75" PREFNSH LIGNAPAL#164
- 1781840 DK CHERRY, P/C 420DB-05 SOFA INSERT LEFT
- 1798744 DK CHERRY, P/C 420DB-05 SOFA INSERT LEFT
- 1781842 DK CHERRY, P/C 420DB-05 SOFA INSERT RIGHT
- 1784691 DK CHERRY, P/C 420DB-05 SOFA 40SH BL NOSE
- 1781748 DK CHERRY, TRIM A/C 96 40SH 1/2"X3/4"X1/4"RAD
- 1776077 DK CHERRY, TRIM A/C 96" #164 40SH1/2X3/4X1/4
- 1798746 DK CHERRY, TRIM GNNL 5' SPYCHT/YACHT
- 1781844 DK CHERRY, TRIM GNNL 5' SPYCHT/YACHT 40SH P/F
- 1781838 DK CHERRY, TRIM HORZ 144" SPYHT/YCHT 40SH P/F
- 1776073 DK CHERRY, TRIM HORZ SHELFR 78" #164 40SH1.825
- 1781721 DK CHERRY, TRIM HORZ SPYHT/YACHT 40SH P/F 78"
- 1781731 DK CHERRY, TRIM VERT SPYCHT 40SH P/F 12"
- 1781741 DK CHERRY, TRIM VERT SPYCHT 40SH P/F 72"
- 1781743 DK CHERRY, TRIM VERT SPYCHT 40SH P/F 78"
- 1781733 DK CHERRY, TRIM VERT SPYHT/YACHT 40SH P/F 30"
- 1781737 DK CHERRY, TRIM VERT SPYHT/YACHT 40SH P/F 54"
- 1770321 DK CHERRY, VENEER (4X8) LIGNAPAL #164/25 SATN

HULL GEL-COATED BLUE W/ WHITE BOOT STRIPES

- 1630664 COVER, CUSTOM CLAMSHELL AMETHYST BLUE
- 1687628 GEL COAT, MAXGUARD MIDNIGHT BLUE
- 1662964 HORN CVR, CONCEALED DUAL SS LG
- 1752663 TAPE, M/S 5" W/3.5"WHT 3/4"VOID 3/4"SLVR

NORTHSTAR 6000I GPS / CHARTPLOTTER / RADAR

- 706721 FUSE, BLADE TYPE ATC 1A
- 265983 FUSE, BLADE TYPE ATO 10A
- 1770974 HARNESS, GPS CBL 20' NRTHSTR 6000I
- 1770975 HARNESS, GPS CBL EXT 15' NRTHSTR 6000I
- 1795162 HARNESS, PIGTAIL 5'SRN II XDUCR TO 6000I
- 1770981 HARNESS, RADAR CBL 20' NRTHSTR 6000I
- 1770985 HARNESS, RADAR CBL EXT 15' NRTHSTR 6000I
- 1757380 HARNESS, TRANSDUCER DEPTH/TEMP 60' SRN2
- 1770969 NAVIGATOR, NRTHSTR 6000I 10.4" CMPLT PKG
- 1757382 NAVIGATOR, SRNII TRANSDUCR DEPTH/TEMP W/PT NY
- 1793506 PANEL, BLANK:420DB/500DA RADAR W/6000I-10.4"
- 1770978 RADAR, NRTHSTR 6000I 4KW CMPLT PKG

AUXILIARY NORTHSTAR 6000I GPS/ CHARTPLOTTER

- 265983 FUSE, BLADE TYPE ATO 10A
- 1770992 HARNESS, ETHERNET CBL KIT 6' NRTHSTR 6000I
- 1770974 HARNESS, GPS CBL 20' NRTHSTR 6000I
- 1770975 HARNESS, GPS CBL EXT 15' NRTHSTR 6000I
- 1770969 NAVIGATOR, NRTHSTR 6000I 10.4" CMPLT PKG
- 1793507 PANEL, 420DB/500DA INST W/TELFLEX&6000I-10.4"

CANDLE GLOW - GALLEY / HEAD COUNTER TOPS

- 1781612 TOP, KARADON 420DB-05 GLY BRKFST CANDLE GLOW
- 1781756 TOP, KARADON 420DB-05 GLY W/CVRS CANDLE GLW
- 1781616 TOP, KARADON 420DB-05 PRT GSTHD VAN CNDL GLW
- 1787720 TOP, KARADON 420DB-05 PRT GSTHD VANCNDLGLWRV1
- 1781618 TOP, KARADON 420DB-05 SLN STBD CANDLE GLOW
- 1787718 TOP, KARADON 420DB-05 STB MSTHD VANCNDLGLWRV1
- 1781620 TOP, KARADON 420DB-05 STBD MSTHD VAN CNDL GLW

B. SALON-DISTRESSED WAYLAN, DINETTE-CURRY

- 1770257 FABRIC, ULTRALEATHER CURRY FLAT
- 1770246 FABRIC, ULTRALEATHER DISTRESSED WAYLAN

C.SALON-TUMBLEWEED OSTRICH,DINETTE-MILKWEED

- 1228352 FABRIC, ULTRALEATHER MILKWEED #3455
- 1773867 FABRIC, ULTRALEATHER OSTRICH TUMBLEWEED

D. SALON-PECAN, DINETTE-SWISS CAFE OSTRICH

- 1752459 FABRIC, ULTRALEATHER OSTRICH SWISS CAFE
- 1180744 VINYL, ULTRALTHR PECAN 3778

BRIDGE COVER

1759615 CANVAS, 420DB-04 BRDG CVR TST

MACERATOR W/ SEACOCK INTERLOCK SYSTEM

123489 CLAMP, HOSE #24 1"-2" SS
 123646 CLAMP, LOOM VINYL DIP #32 2"
 637389 ELBOW, RED BRASS 45DEG 1.5"MPT X 1.5"BARB
 846899 HOSE, SANI 1.5" PREMIUM RBR BLK
 1745156 LABEL, NOTICE OVERBOARD DISCHARGE (LEXAN)
 518456 SEACOCK, BRZ 1.5" W/O TAILPIECE
 1347160 SWITCH, SEACOCK INTERLOCK W/168" LEADS/CONN
 1596238 TANK, HOLDING 40 GAL W/12V OVBD DIS W/2INLETS
 124644 THRU-HULL, BRZ 1.5" N/ NUT

RAYMARINE - C80 GPS CHARTPLOTTER

1107556 FLUSH MOUNT KIT, L-750 FISHFINDER
 1772721 NAVIGATION DISPLAY, RAYMARINE C80 8" CLR LCD

YACHT FLAG AND FLAG POLE

706747 CLIP, FLAG
 685214 FLAG, USA 2'X 3'
 1190354 POLE, FLAGSTAFF YACHTS AFT SS 40"
 685313 SOCKET, FLUSH MOUNT STERN FLAG POLE

HULL GEL-COATED PEWTER W/ BLACK BOOT STRIPE

1797185 COVER, CUSTOM CLAMSHELL PEWTER
 1796295 GEL COAT, NEW PEWTER VALSPAR
 1662964 HORN CVR, CONCEALED DUAL SS LG
 1790430 TAPE, M/S 4.5" W/3/4" VOID, BLK/PRLMET

FIRE SUPPRESSION FM 200-CANADA & AUSTRALIA

1266782 FIRE EXT SYS, FM200 800CF GAS/DSL-MAN/AUTO

GRAY WATER SYSTEM

168187 ADAPTER, PVC 1.5"MPT X 1.5"FM SLIP
 184101 ADAPTER, PVC 1.5"OD X 1.5"ID SLIP
 698183 BUSHING, PVC 1.5"M SLIP X 1"FPT
 123398 CLAMP, HOSE #06M 5/16"-7/8" SS MINI
 123489 CLAMP, HOSE #24 1"-2" SS
 1752438 DECK PLATE, WASTE SS BLK CLR-CODE W/INT SYMBL
 168039 ELBOW, PVC 1"MPT X 1"BARB X 90DEG
 130344 ELBOW, PVC 1.5"MPT X 1.5"BARB X 90DEG
 466615 HOSE CUFF, 1" RH WHT
 172726 HOSE CUFF, 1.5" RH WHT
 490219 HOSE, CORR SAN/WATER-FILL 1.5" RH
 466664 HOSE, CORR VAC 1" RH
 124719 HOSE, SANI/CHEMICAL TDX 5/8"
 1058957 HOSE, WATER A/C WHT 5/8"
 1667484 PANEL, 400DB GRAY WATER INDICATOR CEY BEIGE
 664813 SENDING UNIT, HOLD TANK CAP W/PROBE (3-POS)
 1683218 SHOWER, SUMP ASSY 12V W/800 PUMP/CHCK VLV MOD
 1298280 STRAP, HOLDING TANK 40GAL 400DB-00
 1298298 TANK, HOLDING 40 GAL 400DB-00
 167502 TEE, PVC 1.5"FM SLIP
 124578 THRU-HULL, PLAS 1 1/8" WHT
 124537 THRU-HULL, PLAS 1.5" WHT
 1235456 VALVE, HOLDING TANK RELIEF 1.5"TANK SAVER
 1618651 VENT, FUEL/WATER SS 5/8" 90DEG FLSH SHALLOW

SEA RAY NAV.II CHARTPLOTTER W/RADAR OVERLAY

1767034 BOOT, DEUTSCH DTP 2-POS MALE
 1791436 COVER, INST SRNII 12.2 VIN BURL
 1795127 COVER, PLAS PROTECTIVE SRNII NAVIGATOR
 188060 EMBLEM, "SEA RAY" SCRIPT CHROME 5"
 731018 FUSE, BLADE TYPE CLOSED 15A
 1691481 HARNESS, ENG MERC S-CRFT SC100 EXT 3'
 1770981 HARNESS, RADAR CBL 20' NRTHSTR 6000I
 1770985 HARNESS, RADAR CBL EXT 15' NRTHSTR 6000I
 1772612 HARNESS, RADAR PIGTAIL 1' NRTHSTR
 1757380 HARNESS, TRANSDUCER DEPTH/TEMP 60' SRN2
 1764499 LABEL, SEA RAY NAV USB PORT
 1543750 LIGHT, NAV MASTHEAD ANCHOR 26"
 1757378 MANUAL, OWNERS SRN2 SOFTWARE-DATA-NOTEBOOK KB
 1783312 MANUAL, OWNERS SRNII SECOND STATION
 1766896 NAVIGATOR, SRNII CBL AUTOPILOT
 1757385 NAVIGATOR, SRNII CBL DISPLAY PWR/DATA
 1757383 NAVIGATOR, SRNII GPS ANTENNA NMEA
 1757377 NAVIGATOR, SRNII MODEL 12.1 COMPUTER
 1763058 NAVIGATOR, SRNII MOUSE REMOTE CNTRL
 1783896 NAVIGATOR, SRNII MOUSE REMOTE CNTRL REV II
 1758689 NAVIGATOR, SRNII PWR SUPPLY

SEA RAY NAV.II CHARTPLOTTER W/RADAR OVERLAY (continued)

1772611 NAVIGATOR, SRNII RADAR 4KW 3.5FT ARRAY
 1772608 NAVIGATOR, SRNII RADAR JUNCTION BOX
 1772610 NAVIGATOR, SRNII RADAR PEDSTAL
 1772609 NAVIGATOR, SRNII RADAR PWR CABLE
 1757382 NAVIGATOR, SRNII TRANSDUCR DEPTH/TEMP W/PT NY
 1774942 PANEL, BLANK:420DB-05 INST TELE SRNII
 1773030 PLUG KIT, DEUTSCH DTM06-2S PLUG W/SCKT
 1408376 PLUG KIT, DEUTSCH DTP06-2S PLUG W/SOCKET
 1717517 PLUG KIT, DEUTSCH F/C 10-12AWG SCKT
 1741427 PLUG KIT, DEUTSCH S/F 20AWG SCKT
 1773043 PLUG KIT, DEUTSCH SEC LOCK DTM06-2S
 1408400 PLUG KIT, DEUTSCH SEC LOCK SCKT 2-POS
 1760323 RADAR, CABLE CONNECTOR KIT MAPTECH OPEN ARRAY
 1776486 RECEPTACLE, SRN II USB SOCKET W/CONN

SATELLITE INTERFACE FOR SEA RAY NAV II

1274570 ANTENNA, 8' SHAKESPEARE 5225 GLXY W/CP CONN
 184713 CABLE, COAXIAL RG-58/U
 1688702 CONN, COUPLER TYPE-914 FEMALE TO FEMALE(GOLD)
 115311 MOUNT, RATCHET VHF 4-WAY W/1"-14 MALE THD SS
 1760316 NAVIGATOR, SR MDL SRNII SATELLITE COMMUNICATOR
 1783313 NAVIGATOR, SRNII RADAR SOFTWARE
 1767402 NAVIGATOR, SRNII SATELLITE GPS INTRFACE CABLE
 1767401 NAVIGATOR, SRNII SATELLITE MODE SW W/CABLE
 1767400 NAVIGATOR, SRNII SATELLITE PWR DATA CABLE
 1767399 NAVIGATOR, SRNII SATELLITE SHORE PWR SENSOR
 1760319 NAVIGATOR, SRNII SATELLITE SOFTWARE
 1774890 NAVIGATOR, SRNII SATELLITE WIRING HARNESS
 1773032 PLUG KIT, DEUTSCH DTM06-4S PLUG W/SCKT
 1773033 PLUG KIT, DEUTSCH DTM06-6S PLUG W/SCKT
 1741427 PLUG KIT, DEUTSCH S/F 20AWG SCKT
 1757453 PLUG KIT, DEUTSCH SEAL PLUG
 1773047 PLUG KIT, DEUTSCH SEC LOCK DTM06-4S
 1773049 PLUG KIT, DEUTSCH SEC LOCK DTM06-6S

RAYMARINE C120 (12") CHART PLOTTER / RADAR

265983 FUSE, BLADE TYPE ATO 10A
 731018 FUSE, BLADE TYPE CLOSED 15A
 520668 FUSE, BLADE TYPE CLOSED 3A
 1592617 GPS, RAYSTAR RS120 SENSOR SEATALK WAAS
 1800496 GPS, RAYSTAR RS125 SENSOR NMEA & SEATALK
 1691481 HARNESS, ENG MERC S-CRFT SC100 EXT 3'
 1746045 LABEL, DANGER NO LOOKING DIRECTLY INTO RADOME
 1543750 LIGHT, NAV MASTHEAD ANCHOR 26"
 1772722 NAVIGATION DISPLAY, RAYMARINE C120 12" CLR LCD
 1780613 PANEL, BLANK:420DB-05 RAY C-120/CUMMINS 6CTA
 1408673 RADAR, CABLE 15METER 2 PIECE PEDESTAL
 1782390 RADAR, CABLE RAYMARINE POWER/DATA Y
 1408632 RADAR, RAYTHEON 5S 48" ARRAY
 1772723 RADAR, RAYTHEON 5S 4KW PEDESTAL
 533430 VENT, CLAMSHELL ROPE LCKR 2"X2"

RAYMARINE DSM FISH FINDER

1772045 DEPTH FINDER, DIGITAL SOUNDR MODL HSB2/DSM250
 731034 FUSE, BLADE TYPE CLOSED 5A
 1795498 HARNESS, TRANSDUCER EXT 3M FOR DSM250
 1782094 TRANSDUCER, DEPTH FOR DSM250 FISHFINDER NYLON
 1795499 TRANSDUCER, DEPTH/TEMP FOR DSM250 FISHFINDER

ADDITIONAL SEA RAY NAV II - ONLY W/ SR NAVII

1767034 BOOT, DEUTSCH DTP 2-POS MALE
 1791436 COVER, INST SRNII 12.2 VIN BURL
 1795127 COVER, PLAS PROTECTIVE SRNII NAVIGATOR
 1772696 HARNESS, SRNII LAN CABLE
 1772621 HARNESS, SRNII TRANSDUCER Y CABLE
 1764499 LABEL, SEA RAY NAV USB PORT
 1783312 MANUAL, OWNERS SRNII SECOND STATION
 1766896 NAVIGATOR, SRNII CBL AUTOPILOT
 1757385 NAVIGATOR, SRNII CBL DISPLAY PWR/DATA
 1757383 NAVIGATOR, SRNII GPS ANTENNA NMEA
 1757377 NAVIGATOR, SRNII MODEL 12.1 COMPUTER
 1763058 NAVIGATOR, SRNII MOUSE REMOTE CNTRL
 1783896 NAVIGATOR, SRNII MOUSE REMOTE CNTRL REV II
 1758689 NAVIGATOR, SRNII PWR SUPPLY
 1765431 PANEL, 420DB/500DA-04 SRN II RADAR/230 VHF
 1787374 PANEL, 420DB/500DA-04 SRN II RADAR/VHF REV1
 1790405 PANEL, 420DB/500DA-05 SRN II RADAR REV2
 1408376 PLUG KIT, DEUTSCH DTP06-2S PLUG W/SOCKET
 1717517 PLUG KIT, DEUTSCH F/C 10-12AWG SCKT
 1408400 PLUG KIT, DEUTSCH SEC LOCK SCKT 2-POS

ADDITIONAL SEA RAY NAV II -ONLY W/ SR NAVII (continued)

1776486	RECEPTACLE, SRN II USB SOCKET W/CONN
RAYMARINE C120 CHARTPLOTTER ONLY	
1772722	NAVIGATION DISPLAY, RAYMARINE C120 12" CLR LCD
1790404	PANEL, BLANK:420DB/500DA RADAR/C120 REV2
1787373	PANEL, BLANK:420DB/500DA RADAR/VHF/C120 REV1
1780609	PANEL, BLANK:420DB/500DA RADAR/VHF/RAY C-120

POWER STEERING - ASSISTED

140509	BOOT, ENG STARTER RED
826636	BRKR/ROCK, SGL-POLE MNL RESET DC 40A RED
829432	BUSS BAR, DBL POST 5/16"
1762407	STEERING HOSE, 5/16"X 3"W/FITTINGS (SEASTAR)
1780151	STEERING HOSE, 5/16"X 33"W/FITTINGS (SEASTAR)
1771726	STEERING, PUMP SEA STAR PWR ASSIST 12V

INTERIOR PACKAGE C UP-CHARGE

1778462	CURTAIN, 420DB-05 PKGC-COLTRANE TAUPE 4PC ST
1774164	CURTAIN, 420DB-05 PKGC-COLTRANE TAUPE SLN
1228352	FABRIC, ULTRALEATHER MILKWEED #3455
1774241	PILLOW PKG, 2005 SPYACHT PKGC MID/GSTRM (2)
1774239	PILLOW PKG, 2005 SPYACHT PKGC MSTRM (2)
1774246	PILLOW PKG, 2005 SPYACHT PKGC SLN (2)
1771884	QUILT KIT, 420DB-05 PKGC-ARIA DEEP SEA PGSTRM
1771878	QUILT KIT, 420DB-05 PKGC-MF-DS1-00 MSTRM

RAYMARINE - C80 GPS CHARTPLOTTER

1107556	FLUSH MOUNT KIT, L-750 FISHFINDER
1772721	NAVIGATION DISPLAY, RAYMARINE C80 8" CLR LCD

SIRIUS SATELLITE RADIO

1757933	ANTENNA, SHAKESPEARE SATELLITE RADIO ANTENNA (HULL#526->UP)
1757933	ANTENNA, SHAKESPEARE SATELLITE RADIO ANTENNA
1762653	ANTENNA, SHAKESPEARE SATELLITE RADIO ANTENNA (HULL#502->525)
1766168	DECAL, SIRIUS IT'S ON
1772076	EXTENSION, CABLE 25'/10' FM RECEIVER W/CONN
1766115	PACKET, SIRIUS WELCOME KIT
1768304	STEREO, SIRIUS SATELLITE RCVR SIRCL1-1YR

BOW THRUSTER

679324	ACTUATOR, ROCK BLK W/BLUE LENS ACCY
1186337	BATTERY, GROUP 31 DEEP CYCLE
1216514	BOOT, BATTERY CABLE 4/0 BLK 1"
1216522	BOOT, BATTERY CABLE 4/0 RED 1"
1754500	BOW THRUSTER, 95KGF 24VDC 7.28"ID TUNNEL
1104231	BOW THRUSTER, EXT HARNESS 60"
1048404	BOW THRUSTER, FBRLS TUNNEL 7 7/8"X 72"
1372747	BOW THRUSTER, JOYSTICK (VETUS)
332593	BRKR/ROCK, SGL-POLE AC/DC HORZ 10A WHT
765446	CABLE, BATT BLK 1/0
765438	CABLE, BATT RED 1/0
135228	CABLE, MARINE STRANDED 14/3 BLK/GRN/WHT
417998	CLAMP, HOSE #04M 1/4"-5/8" SS MINI
765826	CONN, BATT LUG 1/0 NEG
765818	CONN, BATT LUG 1/0 POS
1094838	CONN, RING 1/0GA X 1/2R TIN PLTD CLSD END
793315	CONN, RING 1/0GA X 3/8R PLTD CLSD END
793323	CONN, RING 1/0GA X 5/16R PLTD CLSD END
1742532	CONVERTER, 25AMP PROTECT-2425 24VDC
987446	FUSE BLOCK, BLADE TYPE ANL350/500
978809	FUSE HOLDER, BLADE ANL
259309	FUSE, BLADE TYPE ATO 30A
731034	FUSE, BLADE TYPE CLOSED 5A
1759681	FUSE, FLAT HEAVY DUTY ANL 200A (BUSSMAN)
130435	HOLDER, BATTERY GR27 BLK NYLON W/SS
1485481	HOSE, FUEL 1/4" ISO/CE W/PLAS LINER
1751061	LABEL, BOW THRUSTER
1751982	LABEL, BOW THRUSTER CONV LRG
135046	LABEL, DANGER UNPLUG SHORE POWER
981308	PANEL, BOW THRUSTER (BRAVO BURL)
980227	SOLENOID, MAGNET LATCHING 24V 200A/1200A
1754497	SWITCH, BOW THRUSTER CONT DPDT MOM 24V

TABLE BRIDGE W / SUNPAD FILLER CUSHION

1752650	FOAM, P/C 420DB-04 BRDG FLR CUSH OPT
1398205	GEL COAT, ARCTIC WHT
1745182	KIT, PENSKE P/C 420DB-04 BRDG TBLE
773630	MESH, WHITE 54"
1481233	POST, TABLE LEG 8.25"X 2.25" ALUM RIB DBL TPR

TABLE BRIDGE W / SUNPAD FILLER CUSHION (continued)

180406	SLIDE, DELRIN #5 WHT 1-S LOCK
1142959	VINYL, SEABROOK D SEA WHITE EXP FLAT
180182	ZIPPER, #5 DELRIN CONTINUOUS WHT

"455SDB" MODEL DESIGNATORS

1738916	EMBLEM, MODEL DESG 455 LTANT/BLK
1742754	EMBLEM, MODEL DESG 455DB UMLTANT/BLK

ENGINE SYNCHRONIZER

1336049	CABLE, CONTROL TELEFLEX TFXTREME 4'
219857	SYNCHRONIZER CABLE, 6FT "X" DRIVE
219840	SYNCHRONIZER CABLE, 8FT "X" DRIVE
232348	SYNCHRONIZER, GLENDENNING DSL ENG

STOOLS & SALON TABLE

1733881	BASE, HDPE 480MY/DB/400DB SLN OTTO FT BLK
1727530	BASE, TBL ELLIP W/CHAMFERED EDGE ANOD
1756273	CHERRY, VENEER (4X8) LIGNAPAL #165/65 GLOSS
188391	CLIP, XMAS TREE
167171	DACRON, CUMULUS 3/4OZ X 27"W
1752467	FABRIC, ULTRALEATHER OSTRICH MUSLIN #333-3964
1690340	FOAM, P/C SPYACHT OTTOMAN SEAT
586230	MICA, 4'X 8'X.042"BLK MATTE GR12
1473818	MOUNT, TBL SUPPORT
1690313	POST, TBL LEG 17.5"-27.5" W/GAS CYL 2 7/8"DIA
602169	TAB, PULL TAB MATERIAL 1.5"X 250YDS
1757728	TABLE TOP, SPYCHT SLN SQ N/LIP FNSHD CHERRY
156901	WELT, WELT CORD SYNTHETIC 5/32" X 1000'

LOWER CONTROL STATION

1322940	A/C COMP, GRILL 3" BLK W/DBL LVR
948968	A/C COMP, HOSE RING 3" PLAS ROUND
1719358	A/C COMP, PLENUM W/4"IN/4"TOP/3"RT W/BRKT
1599240	ADAPTER, SEATECH 1/4"MMPT X 1/4" PUSH-ON
397828	ALARM, BUZZER SYS MON (PIEZO)
1801215	ANGLE, ALUM 1"X 2"X 2"X 27"
792325	ANTENNA, TV GLOMAX ASSY W/CONN
1784686	BOARD, HDPE LOWER CONTROL STATION COMPONENT
826610	BRKR/ROCK, SGL-POLE MNL RESET DC 30A RED
829432	BUSS BAR, DBL POST 5/16"
643510	BUSS BAR, DC GROUND 10-POSITION SML
795583	BUSS BAR, SGL POST 5/16"
130799	CABLE, BATT BLK #2AWG
130781	CABLE, BATT RED #2AWG
1576347	CABLE, BATT RED/MIO #2AWG
1335736	CABLE, CONTROL TELEFLEX TFXTREME 5'
1336007	CABLE, CONTROL TELEFLEX TFXTREME 6'
761445	CATCH, RIM-LOCK STRIKE PLATE
772418	CATCH, RIM-LOCK WHT
1132380	CATCH, RIM-LOCK WHT (SHIM ONLY)
1781740	CHERRY, TRIM VERT SPYCHT 40SH P/F 72"
1748469	CHERRY, TRIM VERT SPYCHT 80SH P/F 60"
1756273	CHERRY, VENEER (4X8) LIGNAPAL #165/65 GLOSS
123539	CLAMP, HOSE #48 1 5/8"-3.5" SS
188391	CLIP, XMAS TREE
1772695	COMPASS, FLUSH MT 3.75" BLK (NEW STYLE)
777227	COMPASS, FLUSH MT 3.75" WHT
1773926	CONTROL, SERIES 9000 COMMAND ZF
779470	COUPLING, BRASS 5/16" COMP/SEWAGE
1801889	DOOR, STRG W/13 3/8"X16 7/16" W/CRD SLT BEIGE
1147222	DOOR, STRG W/13 3/8"X16 7/16" W/CRD SLT ZPHR
1727147	DRAWER SLIDE, ROLLER METAL 12" ALFIT 1702
1794455	DRAWER, MAPLE 22" X 10 3/8" X 8"
1794456	DRAWER, MAPLE 22"X 10 3/8"X 8" CURVE FRNT
1747682	EMBLEM, S/R EMB SCRIPT WHEEL CHR-BEZEL 1.75"
1180769	FABRIC, ULTRALEATHER RAVEN WING #5607
1684197	FLOORING, SANTOS CABREUVA MAHOGANY
1767976	FOAM, P/C 420DB-04 LWR HELM SEAT
937490	FUSE BLOCK, 10-GNG BLADE-TYPE ELECTRONICS
1596923	FUSE HOLDER, BLADE TYPE ACCY 10A
1767751	GAUGE, ENG SYNC 2" MLSS W/PIGTL
1690513	GAUGE, TACH VDO 0-4000 RPM
1767752	GAUGE, TACH/LCDHOUR 5"4K MAG P/U 12V W/PIGTL
1767753	GAUGE, TELE 4/1 SR-5"100PSI 240F V/F STB PGTL
1047307	GEL COAT, DESERT BEIGE PC/SC
1478957	GPS, RAYNAV 300 GPS W/WAAS SENSOR
625392	HALON SYS, SECONDARY INDICATOR ONLY 12V
1742526	HARNESS, 420DB-04 ENG 6CTA 8.3M CTRL STA LWR
1750375	HARNESS, 420DB-04 INST PNL
1749011	HARNESS, 420DB-04 LWR CNTRL STA



LOWER CONTROL STATION (continued)

1749012 HARNESS, 420DB-04 LWR CNTRL STA W/S WIPER
 1114305 HDPE, 1/2"X 4'X 8' ARCTIC WHT (ARW)
 801324 HDPE, 1/4"X 4'X 8' LAVANT II UTIL GRD BLK
 428664 HOSE, AC/DUCT INSULATED 3" FLEX
 1689331 HOSE, UNIFLEX BLUE 1/2" SW/FPT PLAS 7'
 1689304 HOSE, UNIFLEX BLUE 1/2" SW/FPT PLAS 8'
 1768112 INSERT, ABS 420DB-04 COMP SEAT BCKRST/CUSH
 1751888 LABEL, CONTROL STATION MAIN 12VDC
 1744804 LABEL, DANGER COMBO-DSL POWERED BOAT
 1112598 LABEL, DO NOT OPERATE IF VISIBILITY OBSTRUCTD
 1751979 LABEL, ELECTRONICS MAIN 12VDC
 1751882 LABEL, ELECTRONICS MAIN NEGATIVE
 1743530 LABEL, SHIFT (LEXAN)
 1743531 LABEL, THROTTLE (LEXAN)
 221705 LABEL, WARNING FORWARD VISIBILITY (LEXAN)
 1752856 LABEL, WARNING LTD VISION FROM HELM STN
 795773 LATCH, 1/2" SHAFT EXTENSION
 971002 MAPLE, DRWR BTM 1/4"X 4'X 8"
 1006899 MAPLE, DRWR SIDE 1/2"X 6"X 96"
 971036 MAPLE, DRWR SIDE 1/2"X 8"X 96"
 1733780 MODULE, WIPER INTMNT CONT
 788711 MOUNT, ANTENNA DECK GPS SS
 168849 NIPPLE, BRASS 1/4" MPT X 1.5" HEX
 1760096 PACKET, 420DB-04 SAFETY INFORMATION UNIT
 1749795 PANEL, 420DB-04 BRKR LWR CNTRL STA
 1753567 PANEL, 420DB-04 SW LWR CNTRL STA
 1746773 PANEL, BLANK:420DB-04 INST LWR STA N/SYNC
 1784595 PANEL, BLANK:420DB-05 LWR CS ELECT W/GPS/TRI
 1769722 PANEL, SYS MON IND (LCD) 2004
 1746052 PLATE, ALUM 3/8"X 8"X 16" H/S BACKING
 1742136 PULL, PUSH-BUTTON KNOB SAT/NCKL
 1742137 PULL, ROSETTE SAT/NCKL OVAL 19MM
 1785508 RADIO, VHF RAYTHEON RAY 230 SECOND STATION
 1795134 RADIO, VHF RAYTHEON RAY 240 SECOND STATION
 1287283 RECEPTACLE, FEMALE 12V LONG THRD BLK
 485359 SENDING UNIT, ENG SYNC MODULE (CUMMINS)
 757955 SENDING UNIT, TACH DRV SYNC START .187DIA PIN
 757930 SENDING UNIT, TACH SYNC START
 1082429 SLIDE ASSY, DRAWER SLIDE 10" KNAPP/VOGT
 1547272 SLIDE ASSY, DRAWER SLIDE 18" ACCURIDE
 1480623 SLIDE ASSY, DRAWER SLIDE 22" ACCURIDE
 184630 SPLITTER, TV/FM 2-WAY HYBRID
 1738115 STEERING WHEEL, 3-SPOKE WOOD W/URETH PAD
 168807 STEERING, ADAPTER BRASS 1/4" MPT X 3/8" COMP
 127126 STEERING, FITTINGS CAP NON/VENT
 317032 STEERING, HELM PUMP SEA STAR I TILT
 161927 STEERING, TEE HYDRAULIC (BRASS)
 1768307 SUPPORT, SS 420DB-04 LWR HELM SEAT BRACING
 157487 SWITCH, TRIM TAB RCKR CNTRL N/HARNESS
 1689322 TEE, UNIFLEX PLAS 1/2" SW/FM 1/2" MPT/MPT STACK
 1781613 TOP, KARADON 420DB-05 LWR CNTRL STN LUM GLD
 1408590 TRIDATA, RAYTHEON (DEPTH, SPEED, TEMP, LOG)
 980128 TUBING, HYD 5/16" ID STEERING WP 1500PSI
 1215201 TUBING, SEATECH 1/4" OD X 1/8" ID X 1000' NAT'L
 1599232 VALVE, SEATECH BRASS WTR 12VDC
 769422 VENT, HEATER/DEFROSTER 3" WHT
 648410 WIPER ARM, 28" PANTOGRAPH BLACK HEAVY DUTY
 1799692 WIPER ARM, 28" PANTOGRAPH BLK HVY W/MIST KIT
 275925 WIPER ARM, PANTOGRAPH ADAPTER KIT ONLY (BLK)
 648436 WIPER BLADE, 28" FLEX BLACK HVY DUTY (PANTO)
 1142447 WIPER MOTOR, "J-SERIES" 12V 53 DEG WIDE-SHAFT
 1799712 WIPER MOTOR, "J-SERIES" 12V 53 DEG WIDSHFT PRT
 1719419 WIPER, SEATECH 2/DECK FIT WSHR KIT 90DG 12VDC

COCKPIT TABLE

1125285 BASE, TABLE FLUSH MNT ALUM TPR CASTING
 1787697 BUMPER, NAIL-ON GLIDE 1 1/8" DIA WHT
 398420 BUMPER, NAIL-ON GLIDE 1 1/8" DIA WHT 4PK
 1275650 FBRGLS PART, CKPT TBL
 1311646 FBRGLS PART, CKPT TBL BASE
 1473818 MOUNT, TBL SUPPORT
 1473792 POST, TABLE LEG 19"- 29" W/GAS CYL ALUM

220 VOLT / 50 CYCLE ELECTRICAL SYSTEM

1773075 A/C COMP, COMPACT 16K SMXII 220V 50HZ GG
 1760731 A/C COMP, COMPACT 16K SMXII 230V 60HZ R22
 1773076 A/C COMP, COMPACT 16K SMXII HV 220V 50HZ GG
 1772528 A/C COMP, COMPACT 16K SMXII HV 230V 60HZ R22
 838839 A/C COMP, PUMP RELAY 230V
 838763 A/C COMP, PUMP SEAWATER 230V 400DB 50C

220 VOLT / 50 CYCLE ELECTRICAL SYSTEM (continued)

677047 ADAPTER, EURO TV
 1767758 ADAPTER, UK TO CONTINENTAL EUROPE
 180463 BOX, RECEPTACLE HANDY DUPLEX METAL
 627737 BOX, RECEPTACLE/SWITCH PVC 1-GANG DEEP
 975037 BRKR, IDEA 230V 2P EURO GFCI 16A 10MA WHT
 1752378 BRKR/TOGGLE, 2-POLE AC LONG DELAY 25A
 1626803 CABLE, MARINE UL BOAT 10/3 EURO
 1793182 COFFEEMAKER, KRUPS BLK W/BRSHD CHR 12CUP 220V
 637058 CONN, COAX EURO TV ADAPTER "F" TYPE
 192492 CONN, ROMEX PLAS 1/2"
 192500 CONN, ROMEX PLAS 1/2"
 1749009 CONVERTER, 50AMP120/240VAC 50/60HZ 12VDC REV1
 206268 CORD SET, 220V/50H 16A 50FT
 1372838 COVER PLATE, IDEA-SERIES 3-GANG RND CRNR CHR
 975029 COVER PLATE, IDEA-SERIES 3-GANG WHT
 1477512 COVER PLATE, WALL 2-MODULE MOSAIC WHT(SNAPON)
 1761365 DVD, CYBERHOME CH-DVD 300 PAL TUNER 120/240V
 1757870 DVD, DVD/VCR COMBO 110/240 MULTI-SYS ZONEFREE
 1801047 DVD, DVD/VCR COMBO W/KAR MULTI-SYS ZONEFREE
 893289 FRAME, IDEA-SERIES 3-GANG SUPPORT FRAME GREY
 1477504 FRAME, US STYLE (MOAIC) (SNAPON COVER)
 1732988 GENERATOR, 7.0 E-QD DSL ONAN 220/50
 1747684 HARNESS, 420DB-04 BILGE EURO
 1748445 HARNESS, 420DB-04 CABIN PRT EURO
 1748447 HARNESS, 420DB-04 CABIN STB EURO
 1156736 HEATER, WATER 11 GAL 220/50 W/75-210 T&P
 965483 ICE MAKER, 20 LB WHT W/FLNGE LOW/PROF 220V/50
 206276 INLET, SHORE POWER WHT 220V/50H 16A
 1780309 MICROWAVE, TAPPAN 0.7CF 220V 700W BLK
 1793183 MICROWAVE, TAPPAN 0.7CF 220V 700W SS
 1752130 PANEL, 420DB-04 MAIN DIST 220VAC
 1787551 RECEPTACLE, GERMAN STD MOS WHT(SNAP CVR) LVT
 1477496 RECEPTACLE, GERMAN STD MOSAIC WHT(SNAPON CVR)
 975078 RECEPTACLE, GERMAN W/SURF MNT WEATHERPRF BOX
 902064 RECEPTACLE, SGL GERMAN STD GREY
 1755659 REFRIGERATOR, 7.0 CF CFC FREE 220V
 583906 RELAY, 240VAC 50/60 HZ 20 AMP DPDT
 841734 STOVE, ELEC 2-BURNER BEVELED COOKTOP 220V
 893263 SWITCH, BLANK IDEA-SERIES GREY
 975011 SWITCH, BLANK IDEA-SERIES WHT
 1757869 TELEVISION, 13" SHARP BOTTOM SPEAKER
 1798963 TELEVISION, 20" SHARP LCD LC20SH1E 220V
 1757867 TELEVISION, 20" SHARP LCD PANEL 220V
 1752431 TRANSFORMER, ISO 3.8 KVA 220VAC/50HZ

WASHER / DRYER COMBO - 120V/60

1302165 ADAPTER, BRASS 1/2" MPT X 3/4" FEMALE GRDN HSE
 172783 ADAPTER, HOSE FLANGE 3"
 577296 ADAPTER, PVC 3/4" BARB X 3/4" BARB
 991612 ANGLE, PVC 2" X 2" X 1/4" X 10' WHT
 522813 BOX, RECEPTACLE PVC SURFACE MOUNT CARLON
 332593 BRKR/ROCK, SGL-POLE AC/DC HORZ 10A WHT
 331991 BRKR/ROCK, SGL-POLE AC/DC HORZ 20A WHT
 123489 CLAMP, HOSE #24 1" -2" SS
 123695 CLAMP, LOOM VINYL DIP #12 3/4"
 261362 CLAMP, LOOM VINYL DIP #48 3"
 180067 COVER PLATE, WATERPROOF RECEPT W/2 DOORS
 395103 COVER PLATE, WATERPROOF RECEPTACLE GRY
 957175 COVER, CUSTOM CLAMSHELL LRG W/1 CUTOUT (ABS/DR)
 1425164 ELBOW, SEAFLEX BRS 1/2" MPT X 1/2" MPT
 132258 HOSE CUFF, 3/4" RH
 123877 HOSE, CORR SAN/WATER-FILL 3/4"
 1690727 HOSE, DUCT ALUM 4" DRYER (SUPURR)
 1747603 HOSE, UNIFLEX BLUE 1/2" SW/FPT X 3/4" FGH 10'
 1218536 HOSE, UNIFLEX RED 1/2" SW/FPT X 3/4" FGH 13'
 145136 LABEL, WARNING WASHER/DRYER
 1497452 RECEPTACLE, CORR RESISTANT GREY
 1521434 TAPE, FOAM NEOPRENE W/3M 9828 3/8" TH X 2" W
 1743845 THRU-HULL, SS 1 1/8" X 3/4" BARB
 WASHER/DRYER, COMBO SPLENDIDE 2000 HD VEN RV1

WASHER / DRYER COMBO - 220V/50 INTL

172783 ADAPTER, HOSE FLANGE 3"
 141747 ANGLE, PVC 2" X 2" X 1/4" X 10' GREY
 975060 BOX, 8000-SERIES 2MOD SURF MNT WEATHERPROOF
 522813 BOX, RECEPTACLE PVC SURFACE MOUNT CARLON
 975050 BRKR, 8000-SERIES 2P EURO GFCI 16A 10MA
 332593 BRKR/ROCK, SGL-POLE AC/DC HORZ 10A WHT
 123489 CLAMP, HOSE #24 1" -2" SS
 123695 CLAMP, LOOM VINYL DIP #12 3/4"

WASHER / DRYER COMBO - 220V/50 INTL (continued)

261362	CLAMP, LOOM VINYL DIP #48 3"
957175	COVER, CUSTOM CLAMSHELL LRG W/1CUTOUT(ABS/DR)
132258	HOSE CUFF, 3/4"RH
123877	HOSE, CORR SAN/WATER-FILL 3/4"
1690727	HOSE, DUCT ALUM 4" DRYER (SUPURR)
1747603	HOSE, UNIFLEX BLUE 1/2" SW/FPT X 3/4"FGH 10'
1747602	HOSE, UNIFLEX RED 1/2" SW/FPT X 3/4"FGH 13'
1218536	LABEL, WARNING WASHER/DRYER
975078	RECEPTACLE, GERMAN W/SURF MNT WEATHERPRF BOX
1521434	THRU-HULL, SS 1 1/8"X 3/4"BARB
611301	TRANSFORMER, STEP DOWN 240V TO 120V 1500WATTS
1743845	WASHER/DRYER, COMBO SPLENIDE 2000 HD VEN RV1

WATER DELIVERY - INCLUDES SAFETY PKG & FUEL

1779370	FENDER, 8"X 20"WHT (LAND&SEA)
1779371	FIRE EXT, DRY CHEM HAND-HELD 1A 10BC 2.5LB
159244	HOOK, ALUM BOAT HOOK
1779365	KIT, FIRST AID
1779364	KIT, SIGNAL GUN
1779372	LIFE VEST, ADULT ORANGE TYPE 1 MERCH MATE II
450114	PLATE, BACKING SWMPLTFM OPT ALUM
1779366	RING BUOY, RESCUE RING BUOY 20"
1783536	ROPE, NYLON 3/8" (600'ROLL) (LAND&SEA)
1782254	ROPE, NYLON DOCKLINE 3/8"X 10'
1779367	ROPE, NYLON DOCKLINE 5/8"X 40'BLK
773457	TUBE, CHART HLDR 26.5" "UTILITUBE"
773481	TUBE, SIGNAL KIT 12" "UTILITUBE" W/ORANGE LID

AUTOPILOT - RAYMARINE ST 6001+

1666163	AUTO PILOT, RAYPILOT ST7001 DISPLAY ONLY
1612761	AUTO PILOT, RAYPILOT TYPE 1 T150 CORE PACK
852483	AUTO PILOT, RAYPILOT TYPE I PUMP UNIT
757021	ELBOW, BRASS 45DEG STREET 1/4"
577320	ELBOW, BRASS 90DEG 1/4"MPT X 3/8"COMP
1669563	MOUNT, P/B AUTOPILOT PIVOT ASSY
785295	ROD, THREAD 6MM X 40.67CM SS
1039205	TEE, BRASS 3/8"COMP X 3/8"COMP X 1/4"MPT
990093	TUBING, HYD 3/8" BLK (TELEFLEX)

COCKPIT REFRIGERATOR - 120V/60

775783	BRKR, P/BTN-MANUAL RESET 15A W/SCREW TER
826586	BRKR/ROCK, SGL-POLE MNL RESET DC 15A RED
912774	NOSING, VINYL 1"X 1/4"X 12' RIGID SR WHT
1747061	REFRIGERATOR, 1.7 CU FT 12VDC/110AC

COCKPIT REFRIGERATOR - 220V/50

912774	NOSING, VINYL 1"X 1/4"X 12' RIGID SR WHT
1747062	REFRIGERATOR, 1.7 CU FT 12VDC/240V

WINDLASS - LOFRANS - CHAIN

525352	ANCHOR SHACKLE, W/SCREW PIN 1/2" SS
1048743	CHAIN STOP, SS W/LANYARD (WINDLINE)
225060	CHAIN, GRADE 40 GALV 5/16" 200'
1473040	PLATE, BACKING UNIVERSAL 3/16"

C E OPTION GROUP

123489	CLAMP, HOSE #24 1"-2" SS
123646	CLAMP, LOOM VINYL DIP #32 2"
1266790	FIRE EXT SYS, FM200 500CF GAS/DSL-MAN/AUTO
1266782	FIRE EXT SYS, FM200 800CF GAS/DSL-MAN/AUTO
172726	HOSE CUFF, 1.5" RH WHT
490219	HOSE, CORR SAN/WATER-FILL 1.5" RH
1745514	LABEL, PREVENT DISCHARGE OF POLLUTANTS
1691479	MANUAL, OWNERS - SEA RAY INT'L 12-LANGUAGE
976431	PLATE, CE OPT B:15PERSON/1815KG
529016	PUMP, BILGE 16GPM MANUAL TWO POS
801563	PUMP, BILGE MANUAL PICKUP/STRAINER
124537	THRU-HULL, PLAS 1.5" WHT

110V/60 - FOR INT'L ENTERTAINMENT EQUIPMENT

677047	ADAPTER, EURO TV
1767757	ADAPTER, UK TO US
637058	CONN, COAX EURO TV ADAPTER "F" TYPE
1761365	DVD, CYBERHOME CH-DVD 300 PAL TUNER 120/240V
1757870	DVD, DVD/VCR COMBO 110/240 MULTI-SYS ZONEFREE
1801047	DVD, DVD/VCR COMBO W/KAR MULTI-SYS ZONEFREE
1757869	TELEVISION, 13" SHARP BOTTOM SPEAKER
1798963	TELEVISION, 20" SHARP LCD LC20SH1E 220V
1757867	TELEVISION, 20" SHARP LCD PANEL 220V

CANADIAN CONFORMITY STICKER

1743452	LABEL, STICKER 420DB CANADIAN CONFORMITY
---------	--

ROD HOLDERS - (2)

123398	CLAMP, HOSE #06M 5/16"-7/8" SS MINI
1313915	ROD HOLDER, FLUSH MNT SS 30DEG CONTR MED
1795401	ROD HOLDER, FLUSH MNT SS 30DEG CONTR W/LOGO

WINDLASS CAPSTAN

1772550	WINDLASS, PROJECT 1000 CAPSTAN
---------	--------------------------------

SOFA, WITH PULL OUT BED - PORT

1084482	FRAME, 560DB-98 SLEEPER SOFA DLX FULL 52"
1084631	MATTRESS, 560DB-98 INNER-SPRING DLX FULL SOFA

GENERATOR SOUND BOX - DIESEL ONLY

1767594	GENERATOR, 9.0 MDKAV DSL ONAN W/SS 120V/60HZ
---------	--

TEAK COCKPIT FLOORING

1795334	TEAK, P/C 420DB-05 CKPT FLOOR W/SWIM PLATFORM
---------	---

VACUUM SYSTEM, CENTRAL - BEAM - 120V/60

1314376	VACUUM, CENTRAL SYS 110V W/INST KIT #34
1690898	VACUUM, CENTRAL SYS 110V WET/DRY #35
824763	VACUUM, CLAMP COUPLING W/HDWR
770354	VACUUM, HOSE 20' W/ATTACHMENTS
774679	VACUUM, HOSE 40' VINYL GREY 2"ID FLEX
1776485	VACUUM, INLET BISQUE N/WIRES
770388	VACUUM, TEE 90DEG
770370	VACUUM, WALL MTG BRKT/ADAPTER

VACUUM SYSTEM, CENTRAL - BEAM - 220V/50

1477504	FRAME, US STYLE (MOZAIC) (SNAPON COVER)
1787551	RECEPTACLE, GERMAN STD MOS WHT(SNAP CVR) LVT
1477496	RECEPTACLE, GERMAN STD MOZAIC WHT(SNAPON CVR)
1314384	VACUUM, CENTRAL SYS 220V W/INST KIT #34
1788977	VACUUM, CENTRAL SYS 220V W/INST KIT #35
824763	VACUUM, CLAMP COUPLING W/HDWR
770354	VACUUM, HOSE 20' W/ATTACHMENTS
774679	VACUUM, HOSE 40' VINYL GREY 2"ID FLEX
1776485	VACUUM, INLET BISQUE N/WIRES
770388	VACUUM, TEE 90DEG
770370	VACUUM, WALL MTG BRKT/ADAPTER

AUTOPILOT - RAYPILOT ST 7001+

1666163	AUTO PILOT, RAYPILOT ST7001 DISPLAY ONLY
1612761	AUTO PILOT, RAYPILOT TYPE 1 T150 CORE PACK
852483	AUTO PILOT, RAYPILOT TYPE I PUMP UNIT
757021	ELBOW, BRASS 45DEG STREET 1/4"
577320	ELBOW, BRASS 90DEG 1/4"MPT X 3/8"COMP
763813	FUSE, BLADE TYPE CLOSED 25A
1669563	MOUNT, P/B AUTOPILOT PIVOT ASSY
785295	ROD, THREAD 6MM X 40.67CM SS
1762407	STEERING HOSE, 5/16"X 3'W/FITTINGS (SEASTAR)
1780149	STEERING HOSE, 5/16"X 30'W/FITTINGS (SEASTAR)
1765807	STEERING HOSE, 5/16"X 4'W/FITTINGS (SEASTAR)
1039205	TEE, BRASS 3/8"COMP X 3/8"COMP X 1/4"MPT
990093	TUBING, HYD 3/8" BLK (TELEFLEX)

DASH COVER

1742753	CANVAS, 420DB-04 DASH CVR TST
---------	-------------------------------

AFT BENCH SEATING W/ STORAGE BELOW

1751780	BOARD, P/B 420DB-04 CKPT AFT BNCH SEAT (OPT)
1752199	BOARD, P/B 420DB-04 CKPT AFT SEAT BLSTR OPT
732792	BRACKET, SS GAS CYL 90DEG 2.062" W/STUD
634550	BRACKET, SS GAS CYL 90DEG L-BRKT W/BALL LONG
1118314	CATCH, RBR SUNPAD HOLD-DOWN
1424597	CYLINDER, GAS SS 20PSI 15"EXT X 9"COMP
1752102	FOAM, P/C 420DB-04 CKPT AFT BNCH BLSTR
1752100	FOAM, P/C 420DB-04 CKPT AFT BNCH SEAT
1398205	GEL COAT, ARCTIC WHT
1755072	GEL COAT, BILGE OYSTER
1751891	GEL COAT, BILGE OYSTER (NEW COLOR)
437145	GEL COAT, WEBBING SOLUTION ONLY
1743987	HINGE, LOOSE PIN SS (ORCAS)
800888	HINGE, SS CONT 2"X 72" (.188 CURL WIDTH)
1752200	INSERT, 88X18 SSW 1/4"LAM W/8.5"GREY SCPT
743625	TRIM, EDGE WHITE MOTOR BOX LARGE
1287150	VINYL, DADE PEWTER MIST EXP 1/4"FB