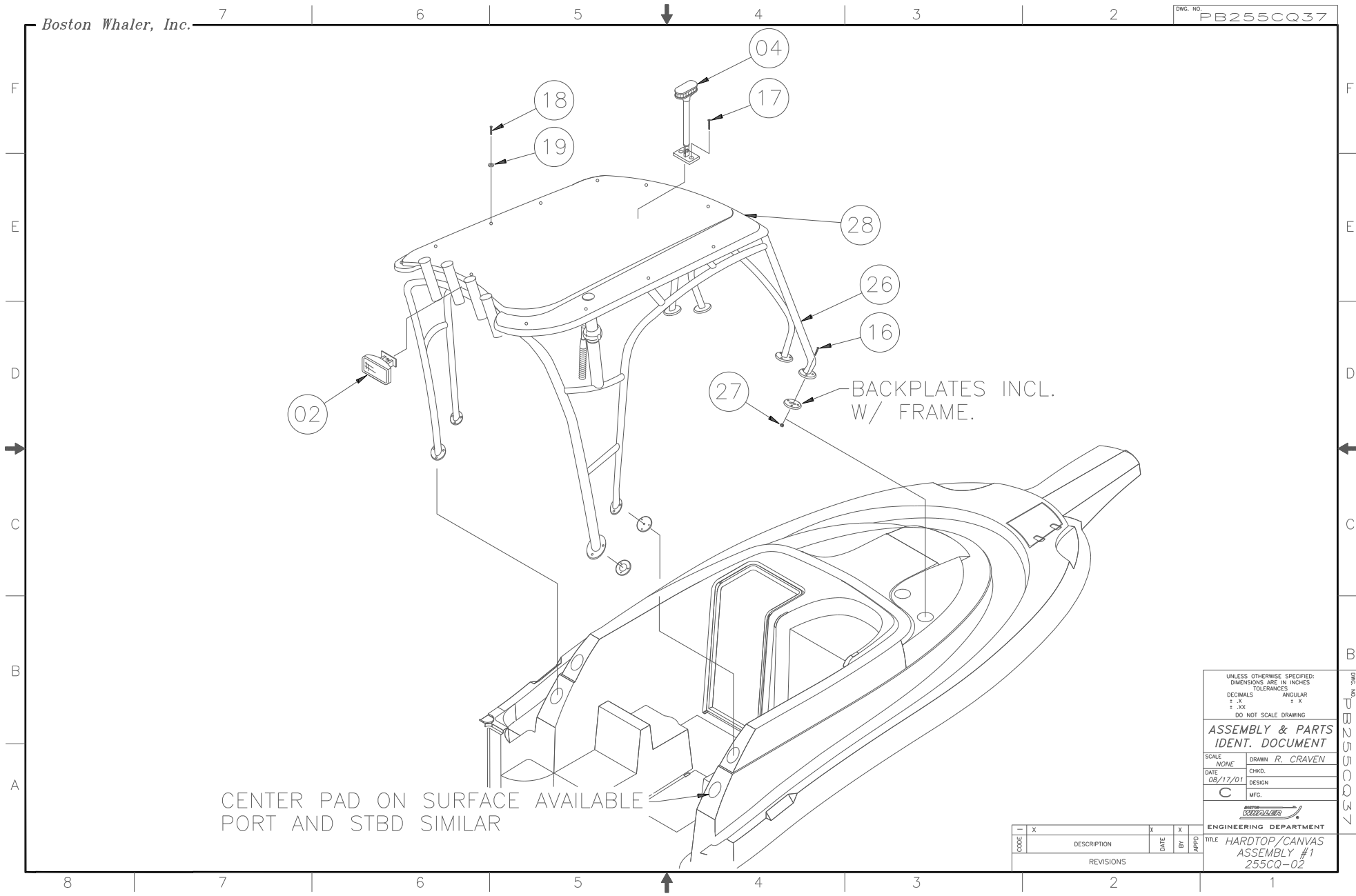


Boston Whaler, Inc.

DWG. NO. PB255CQ37



BACKPLATES INCL. W/ FRAME.

CENTER PAD ON SURFACE AVAILABLE PORT AND STBD SIMILAR

UNLESS OTHERWISE SPECIFIED:  
DIMENSIONS ARE IN INCHES  
TOLERANCES

DECIMALS	ANGULAR
± .X	± X
± .XX	

DO NOT SCALE DRAWING

**ASSEMBLY & PARTS IDENT. DOCUMENT**

SCALE	DRAWN R. CRAVEN
NONE	CHKD.
DATE 08/17/01	DESIGN
C	MFG.

**ENGINEERING DEPARTMENT**

TITLE HARDTOP/CANVAS ASSEMBLY #1 255CQ-02

CODE	DESCRIPTION	DATE	BY	APPROD
X				

DWG. NO. PB255CQ37