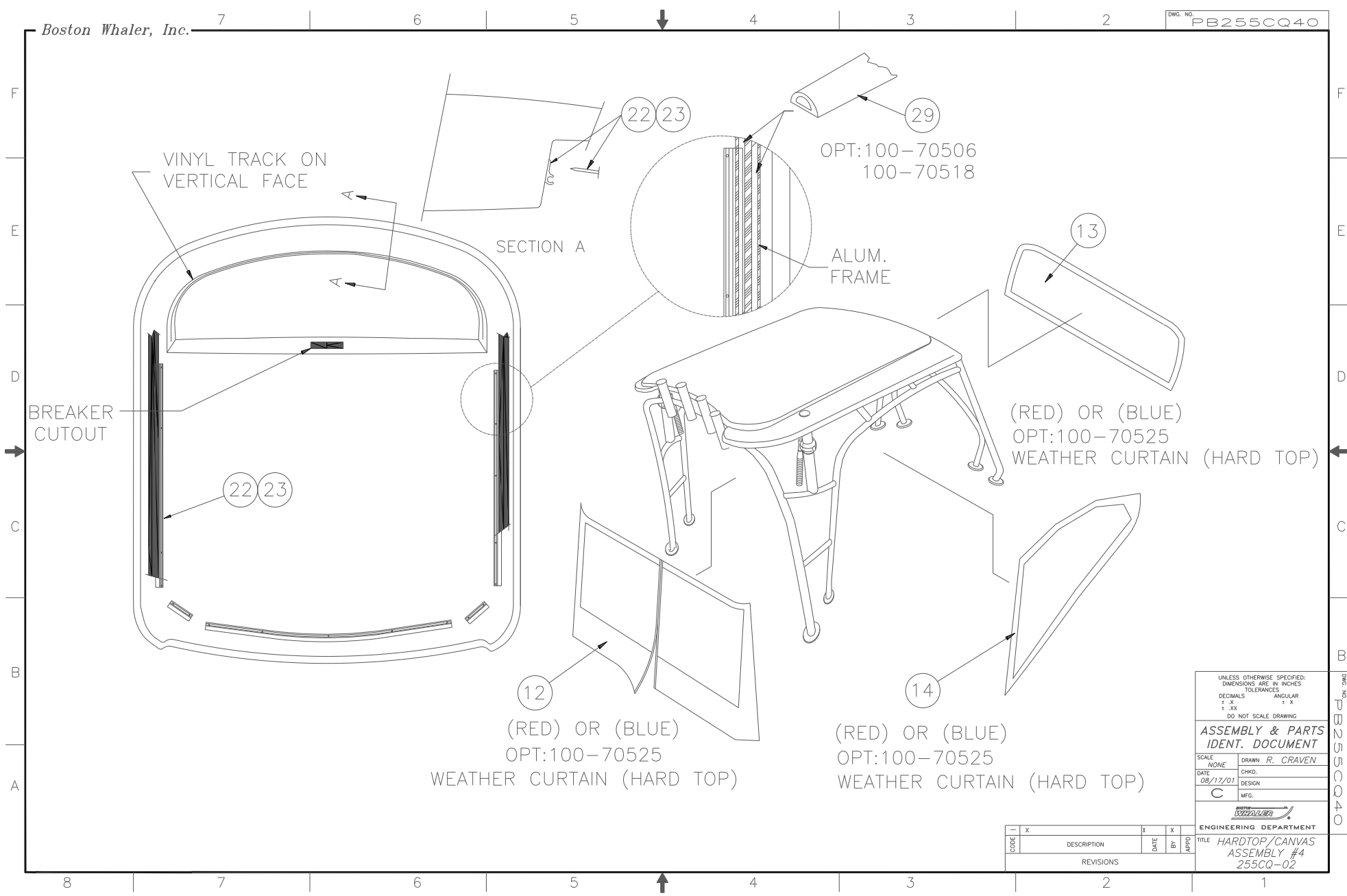


Boston Whaler, Inc.

DWG. NO. PB255CQ40



UNLESS OTHERWISE SPECIFIED:
DIMENSIONS ARE IN INCHES
TOLERANCES

DECIMALS	ANGULAR
± .X	± X
± .XX	

DO NOT SCALE DRAWING

ASSEMBLY & PARTS IDENT. DOCUMENT

SCALE	NONE	DRAWN	R. CRAVEN
DATE	08/17/01	CHKD.	
		DESIGN	
		MFG.	

ENGINEERING DEPARTMENT

TITLE: **HARDTOP/CANVAS ASSEMBLY #4 255CQ-02**

CODE	DESCRIPTION	DATE	BY	APPROD

DWG. NO. PB255CQ40