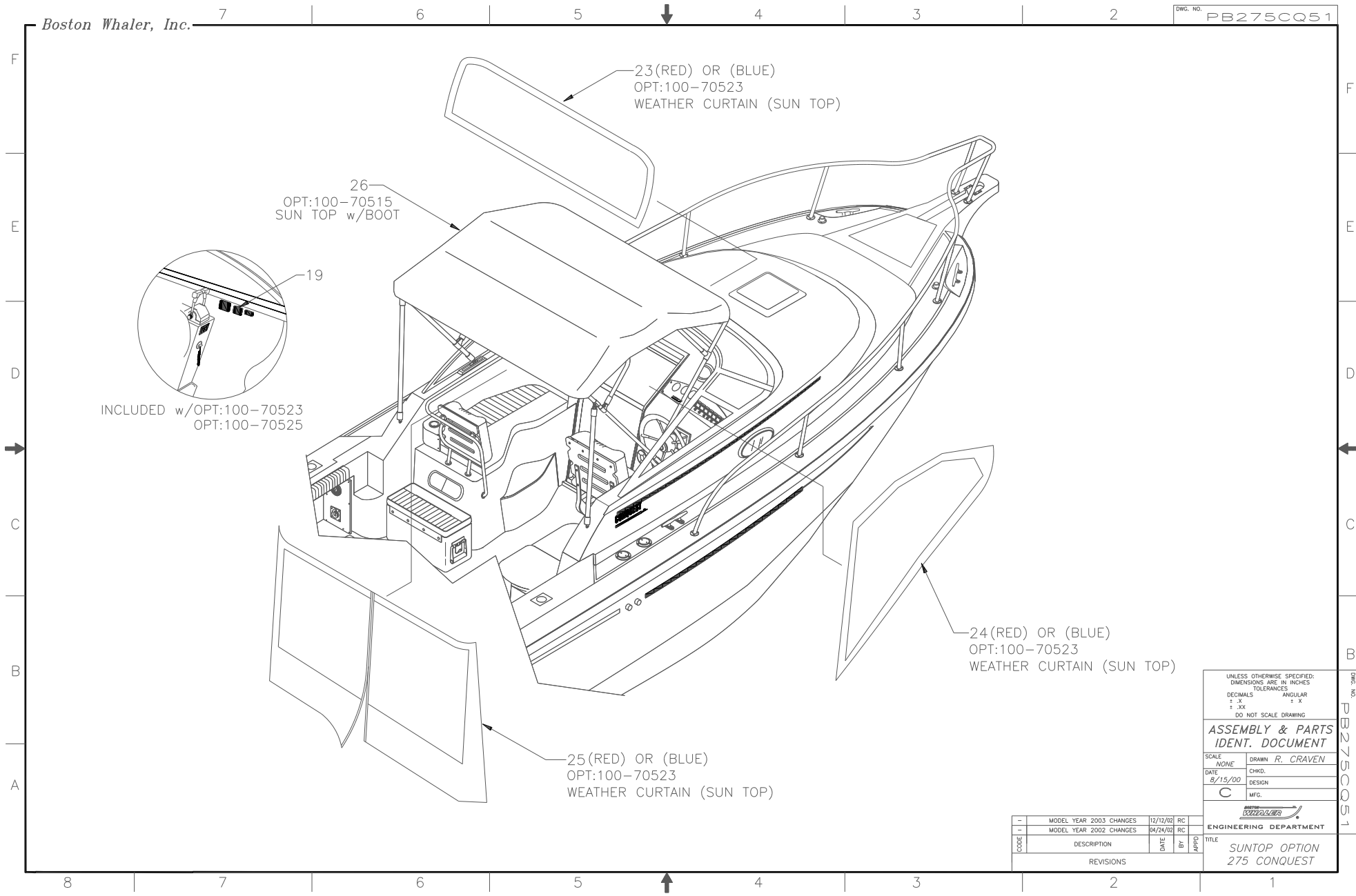


Boston Whaler, Inc.

DWG. NO. PB275CQ51



UNLESS OTHERWISE SPECIFIED:  
DIMENSIONS ARE IN INCHES  
TOLERANCES

DECIMALS	ANGULAR
± .X	± X
± .XX	

DO NOT SCALE DRAWING

**ASSEMBLY & PARTS IDENT. DOCUMENT**

SCALE	NONE	DRAWN	R. CRAVEN
DATE	8/15/00	CHKD.	
		DESIGN	
		MFG.	

**ENGINEERING DEPARTMENT**

TITLE: SUNTOP OPTION 275 CONQUEST

CODE	DESCRIPTION	DATE	BY	APPRO
	MODEL YEAR 2003 CHANGES	12/12/02	RC	
	MODEL YEAR 2002 CHANGES	04/24/02	RC	
REVISIONS				

DWG. NO. PB275CQ51