

THIS DOCUMENT IS THE PROPERTY OF BOSTON WHALER, INC. MFG. DEPT., EDGEWATER, FLORIDA. ALL RIGHTS ARE RESERVED. THIS DOCUMENT AND INFORMATION CONTAINED MUST NOT BE COPIED OR DISCLOSED TO OTHERS WITHOUT WRITTEN PERMISSION OF BOSTON WHALER, INC.

DWG. NO:
11201

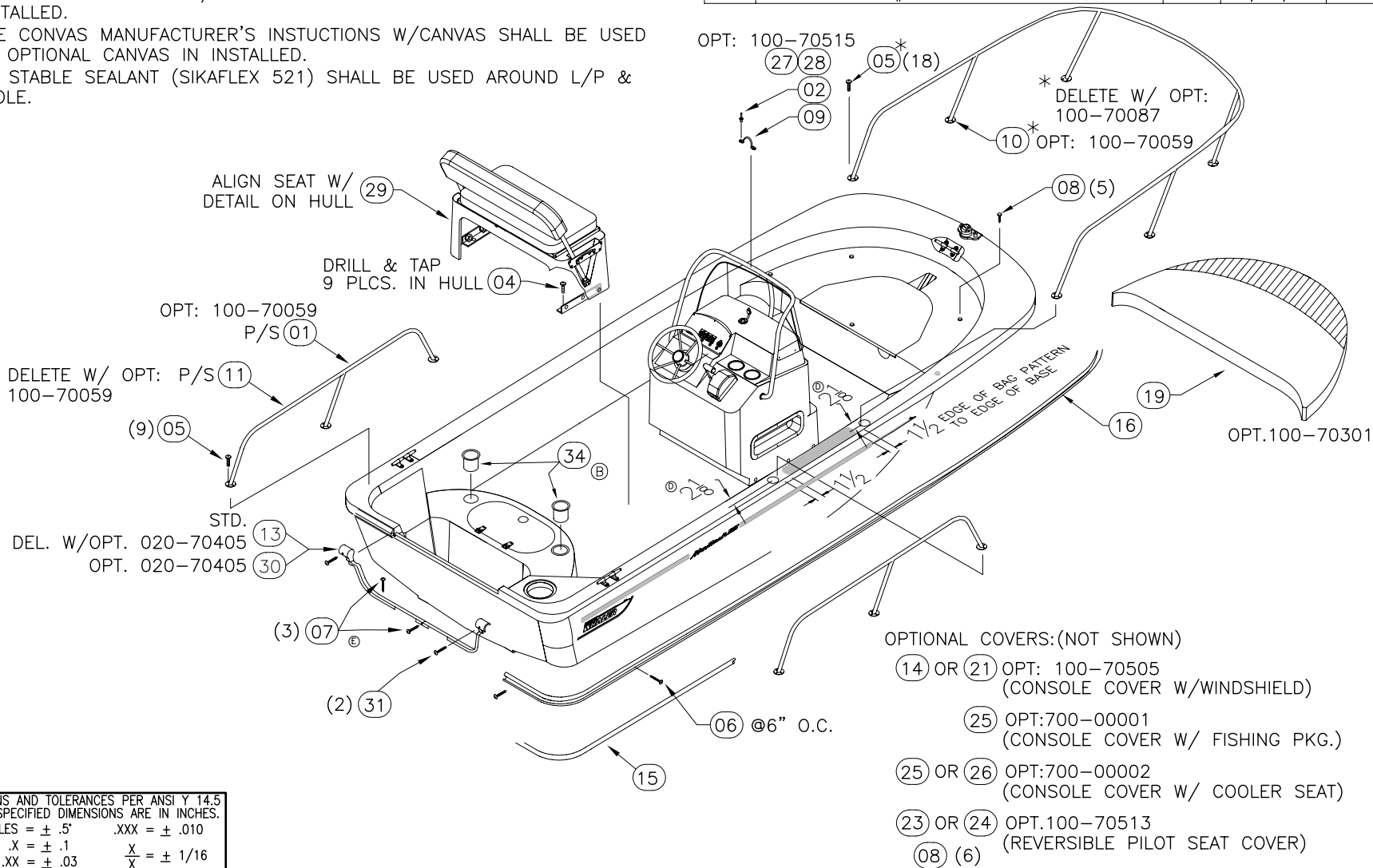
REV.
E

CURRENT ECD
051148

REVISIONS					
REV.	DESCR.	BY	DATE	APPVD.	ECN NO.
A	ADDED #33. #32 WAS 1690180, MOVED FROM DWG.09201. ADDED NOTE #4. #8 WAS QTY.18. ADDED VIEW FOR SECURING CONSOLE.	JFH	10-17-05	VPK	050577
B	#34 ADDED.	RD	10/19/05	VPK	050577
C	#34 WAS QTY. 1	RD	10/20/05	KR	050577
D	ADDED SIDE RAIL PAD LOCATION DIMS, CHANGED PN# ITEM 17, SHEETS 1,2 & 3	SLJ	12/07/05	ME	051113
E	ADDED 1ea SCREW #7 TO TRANSOM TRIM, SHEETS 1 & 3	SLJ	12/07/05	ME	051113

NOTES:

1. REF. DWG. 07401 FOR CONSOLE TO HULL INTERCONNECTS.
2. ALL DRILLED HOLES (FOR MOUNTING COMPONENTS & HARDWARE TO HULL) SHALL BE SEALED W/WHITE SILICONE SEALANT WHEN THE FASTENER IS INSTALLED.
3. THE CONVAS MANUFACTURER'S INSTRUCTIONS W/CANVAS SHALL BE USED WHEN OPTIONAL CANVAS IS INSTALLED.
- ④ 4. UV STABLE SEALANT (SIKAFLEX 521) SHALL BE USED AROUND L/P & CONSOLE.



INTERPRET DIMENSIONS AND TOLERANCES PER ANSI Y 14.5 UNLESS OTHERWISE SPECIFIED DIMENSIONS ARE IN INCHES.
TOLERANCES: ANGLES = ± .5° .XXX = ± .010
.X = ± .1 .XX = ± .03 X = ± 1/16
DO NOT SCALE DRAWING



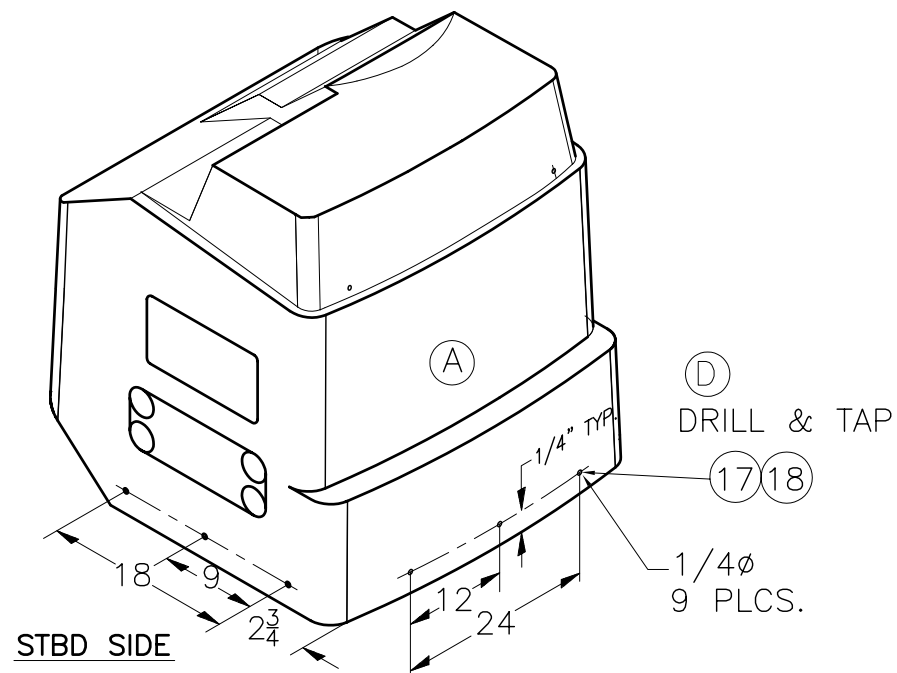
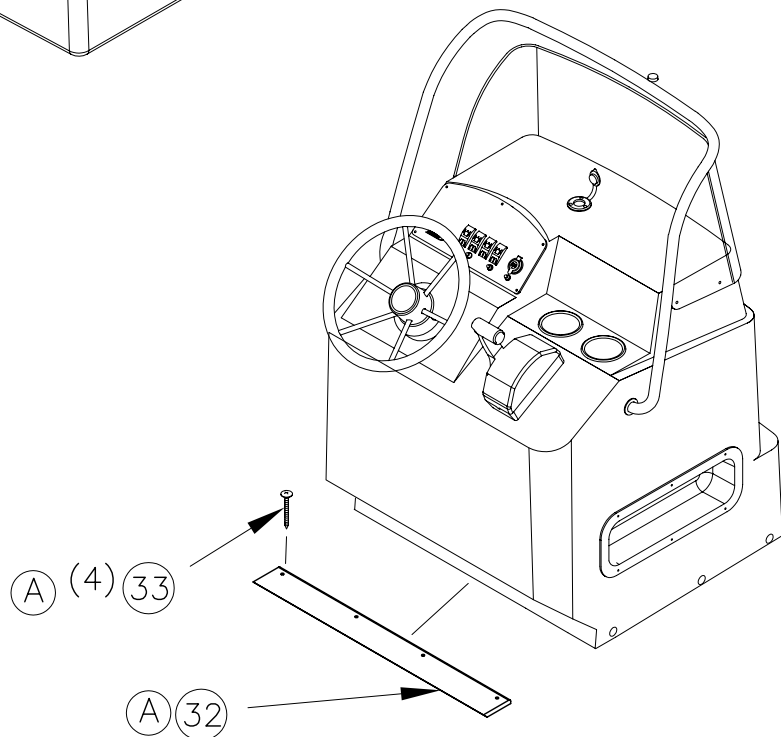
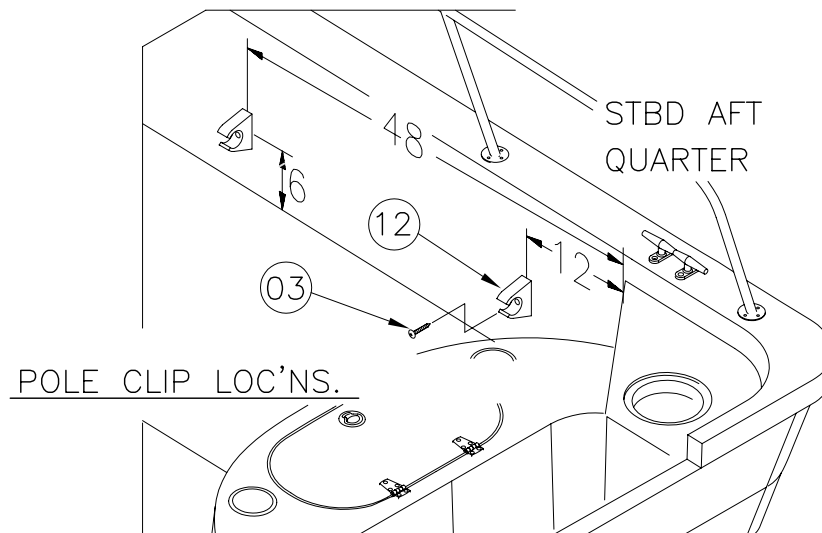
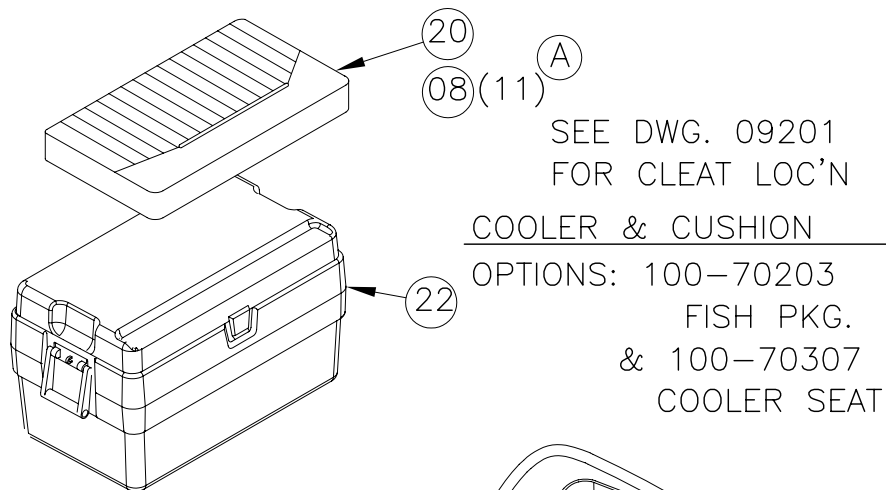
CHECKED: R.AVILA	DATE: 9/16/05	DRAWN: M.ZAFFUTO	DATE: 08/31/05	SCALE: NONE	BOAT MODEL	MOLD NO.
APPD: K.RANIERI	DATE: 9/16/05	DWG. TITLE:			150MT06	
DESIGN: V.KNIGHT	DATE: 9/16/05	FINAL ASSEMBLY			INIT. REL. ECN NO:	DWG. NO:
INT. ENG: M.GATICA	DATE: 9/16/05				050577	11201
						SHT. NO.
						1 OF 3

THIS DOCUMENT IS THE PROPERTY OF BOSTON WHALER, INC. MFG. DEPT., EDGEWATER, FLORIDA. ALL RIGHTS ARE RESERVED. THIS DOCUMENT AND INFORMATION CONTAINED MUST NOT BE COPIED OR DISCLOSED TO OTHERS WITHOUT WRITTEN PERMISSION OF BOSTON WHALER, INC.

DWG. NO:
11201

REV.
E

CURRENT ECD
051148



INTERPRET DIMENSIONS AND TOLERANCES PER ANSI Y 14.5 UNLESS OTHERWISE SPECIFIED DIMENSIONS ARE IN INCHES.
TOLERANCES: ANGLES = $\pm .5^\circ$.XXX = $\pm .010$
.X = $\pm .1$ X = $\pm 1/16$
.XX = $\pm .03$
DO NOT SCALE DRAWING

DRAWN: M.ZAFFUTO DATE: 08/31/05 SCALE: NONE

DWG. TITLE:
FINAL ASSEMBLY

BOAT MODEL
150MT06

MOLD NO.

INIT. REL. ECN NO:
050577

DWG. NO:
11201

SHT. NO.

2 OF 3

PARTS LIST

ITEM	QTY.	U/M	DESCRIPTION	B.W.I. NO.
1	2	EA.	RAIL, SIDE BW150MT-06 SS HI-PATT	1811610
2	2	EA.	RIVET, POP/BLIND #3/16 X 3/8" SS	0192120
3	2	EA.	SCREW, TAPPING #10A X 1" PTH SC	1008739
4	9	EA.	SCREW, MACHINE #1/4-20 X 1.5" PPH SC	1008598
5	36	EA.	SCREW, MACHINE #1/4-20 X 1" PPH SC	1008580
6	60	EA.	SCREW, TAP #10A X 1.5" W/STP EPXY ORNG PFH SC	1814515
Ⓔ	7	EA.	SCREW, TAPPING #8A X 1" PTH SC	1008804
Ⓐ	8	EA.	SNAP STUD, W/#8 X 3/8" PH BR/NI/SS	203786
9	1	EA.	EYE, STRAP EYE TIE-DOWN 5/16" CHR/ZINC	861120
10	1	EA.	RAIL, BOW BW150MT-06 SS	1807955
11	2	EA.	RAIL, SIDE BW150MT-06 SS	1807953
12	1	PR.	CLIP, POLE STRG BLK - MAST LIGHT	0590646
13	1	EA.	CAP, RUBRAIL BW150SP-03 TRNSM TRIM W/ NOTCH	1743356
14	1	EA.	CANVAS, BW17MTK-05 CNSL CVR BLK	1771130
15	1	EA.	INSERT, RUB RAIL CHAR FLEX 40'	1020817
16	1	EA.	RUBRAIL, PLASTIC CHAR 40'	1020858
Ⓓ	17	9	EA. SCREW, MACHINE #1/4-20 X 1.5" PFH SC	1215052
18	9	EA.	WASHER, FINISH #12 SS	0958868
19	1	EA.	CUSH, BW150SP-05 BOW	1781376
20	1	EA.	CUSH, BW150MT-06 COOLER SEAT 36QT	1808122
21	1	EA.	CANVAS, BW17MTK-05 CNSL CVR BLUE	1771131
22	1	EA.	COOLER, 36QT	0814012
23	1	EA.	CANVAS, BW170MT-05 REV'BL SEAT CVR BLK	1771128
24	1	EA.	CANVAS, BW170MT-05 REV'BL SEAT CVR BLUE	1771129
25	1	EA.	CANVAS, BW17MTK-05 CNSL CVR W/COOLRCUTOUT BLK	1776599
26	1	EA.	CANVAS, BW17MTK-05 CNSL CVR W/COOLRCUTOUT BLUE	1776601
27	1	EA.	CANVAS, BW150MT-06 BIM TOP W/BOOT BLK	1809651
28	1	EA.	CANVAS, BW150MT-06 BIM TOP W/BOOT BLUE	1809652
29	1	EA.	REV. PILOT SEAT SUB-ASSY.	09251
30	1	EA.	CAP, RUBRAIL BW150SP-02 TRNSM TRIM	1691318
31	2	EA.	SCREW, TAPPING #10A X 1.5" PTH SC	1008747
Ⓐ	32	1	EA. PANEL, HDPE BW150MT-06 CLSOUT CNSL BASE	1816852
Ⓐ	33	4	EA. SCREW, TAPPING #10A X 1" PPH SC	1213131
ⒸⒷ	34	2	EA. DRINKHOLDR, PLAS W/DRAIN DEEP XLG SZ BLK	1727419