

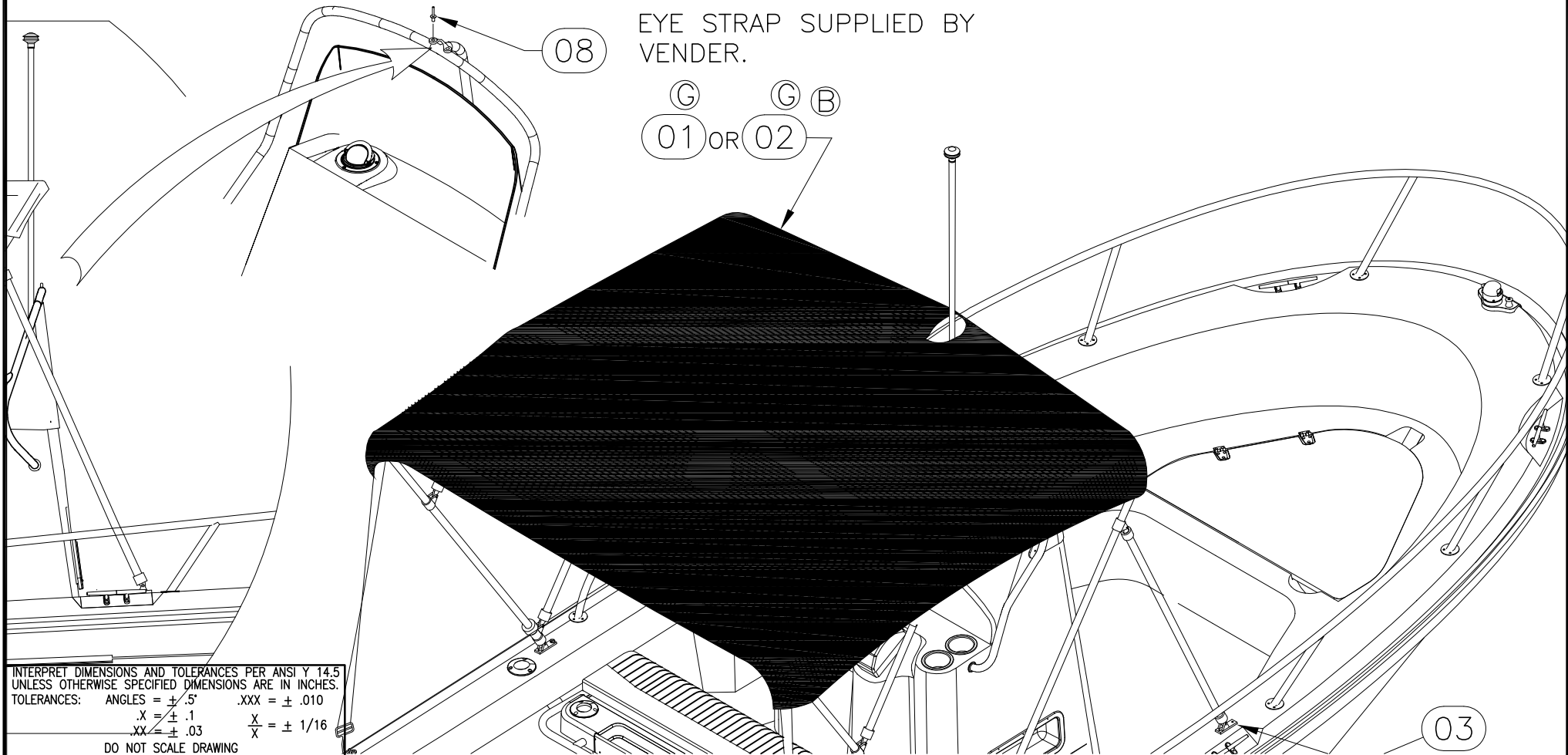
THIS DOCUMENT IS THE PROPERTY OF BOSTON WHALER, INC. MFG. DEPT., EDGEWATER, FLORIDA. ALL RIGHTS ARE RESERVED. THIS DOCUMENT AND INFORMATION CONTAINED MUST NOT BE COPIED OR DISCLOSED TO OTHERS WITHOUT WRITTEN PERMISSION OF BOSTON WHALER, INC.

DWG. NO: 08401	REV. H	CURRENT ECD 09035894
-------------------	-----------	-------------------------

NOTES:

1. SEAL ALL FASTENINGS INTO HULL STRUCTURE USING WHITE SILICONE SEALANT AT TIME OF INSTALLATION.
2. USE HARDWARE SET & INSTRUCTIONS SUPPLIED W/TOP AT INSTALLATION.

REVISIONS					
REV.	DESCR.	BY	DATE	APPVD.	ECN NO.
A	CHANGED #04 FROM #10-24 X 1.25" PFH TO #10-24 X 1.75 POH	CSR	03/17/03	-	030329
B	2004 MODEL YEAR ENHANCEMENTS	RC	05/27/03	-	030352
C	CHANGED NUMBERING SYSTEM / APPLY ATT. BORDER	AVM	06/18/03	ZAC	030639
D	MODIFY DRAWING BORDER TO AN ATTRIBUTED BORDER	TS	02/06/06	AVM	060152
E	ADDED T-TOP W/ELECTRONICS BOX, OUTRIGGERS AND WEATHER CURTAIN SHEETS ADDED PGS.2 THRU 4, ITEMS 9 THRU 38	SLJ	07/05/07	AVM	07064360
F	MODIFY DRAWING BORDER TO AN ATTRIBUTED BORDER	TJ	9/15/08	AF	08065342
G	CHANGE PART #1753219 TO 1963779 & 1747703 TO 1963780.	AF	02/17/09	AF	08125677
H	CHANGE PART #1806617 TO 1939156	SG	08/11/09	AVR	09035894



INTERPRET DIMENSIONS AND TOLERANCES PER ANSI Y 14.5 UNLESS OTHERWISE SPECIFIED DIMENSIONS ARE IN INCHES.
 TOLERANCES: ANGLES = $\pm .5^\circ$.XXX = $\pm .010$
 $.X = \pm .1$ $\frac{X}{X} = \pm 1/16$
 $.XX = \pm .03$
 DO NOT SCALE DRAWING



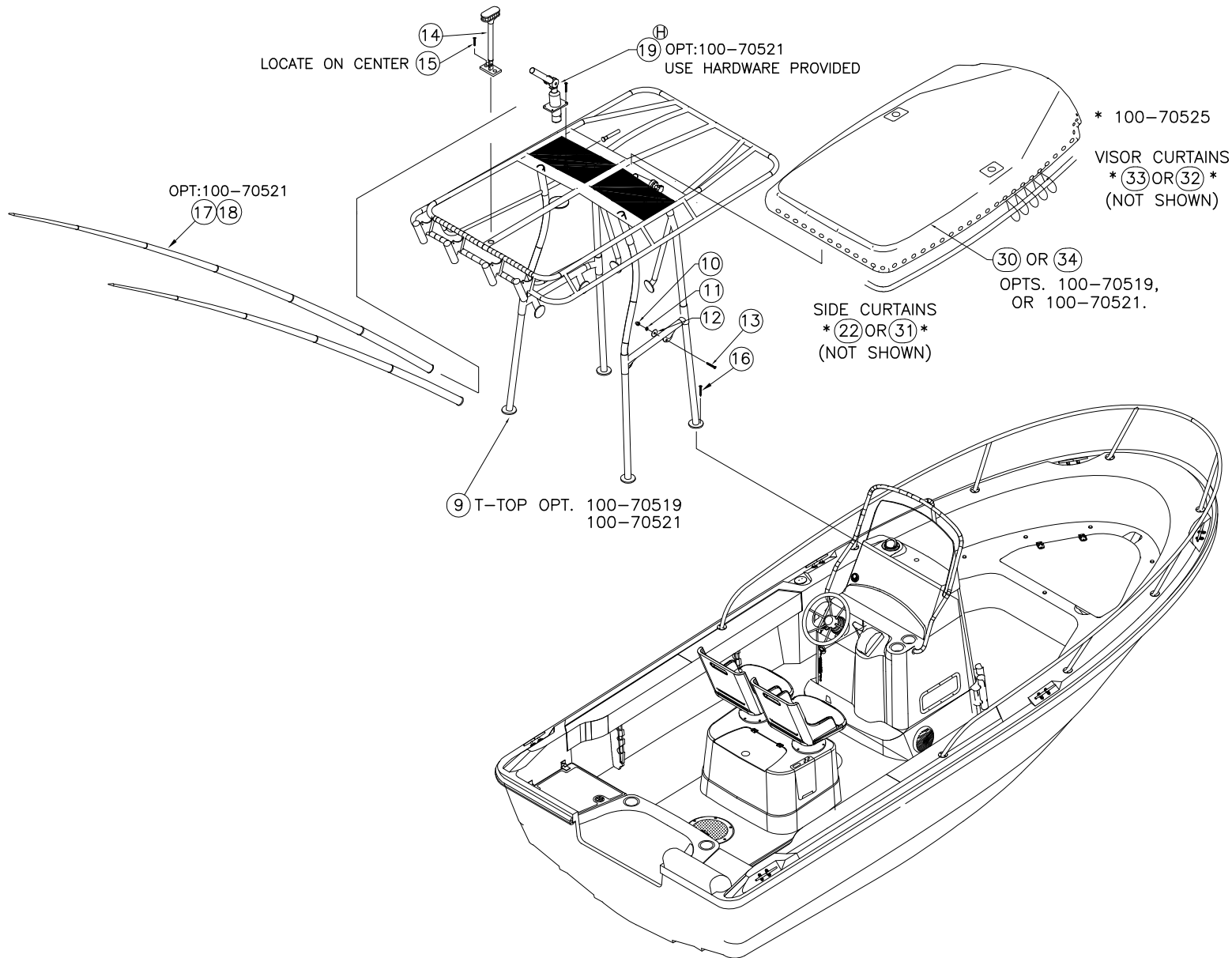
CHECKED: RA	DATE: 02/26/03	DRAWN: H READ	DATE: 02/13/03	SCALE: NONE	BOAT MODEL 1900R	MOLD NO.
APPD: KR	DATE: 02/26/03	DWG. TITLE: T TOP ASSEMBLY AND CANVAS INSTALLATION			INIT. REL. ECN NO: 021049	DWG. NO: 08401
DESIGN: L. SCHOLZ	DATE: 02/26/03				SHT. NO. 1 of 4	
INT. ENG: M. GATICA	DATE: 02/28/03					

THIS DOCUMENT IS THE PROPERTY OF BOSTON WHALER, INC. MFG. DEPT., EDGEWATER, FLORIDA. ALL RIGHTS ARE RESERVED. THIS DOCUMENT AND INFORMATION CONTAINED MUST NOT BE COPIED OR DISCLOSED TO OTHERS WITHOUT WRITTEN PERMISSION OF BOSTON WHALER, INC.

DWG. NO:
08401

REV.
H

CURRENT ECD
09035894



INTERPRET DIMENSIONS AND TOLERANCES PER ANSI Y 14.5 UNLESS OTHERWISE SPECIFIED DIMENSIONS ARE IN INCHES.
 TOLERANCES: ANGLES = ± .5° .XXX = ± .010
 .X = ± .1 .XX = ± .03 X/X = ± 1/16
 DO NOT SCALE DRAWING

DRAWN: H READ DATE:08/10/01 SCALE: NONE
 DWG. TITLE:
 TTOP ASSEMBLY AND CANVAS INSTALLATION

BOAT MODEL
1900R

MOLD NO.

INIT. REL. ECN NO:
01060

DWG. NO:
08401

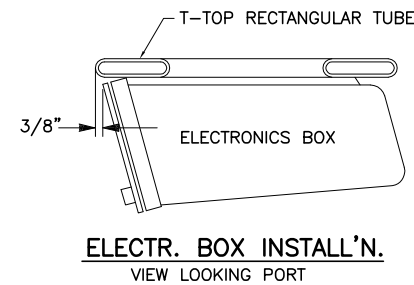
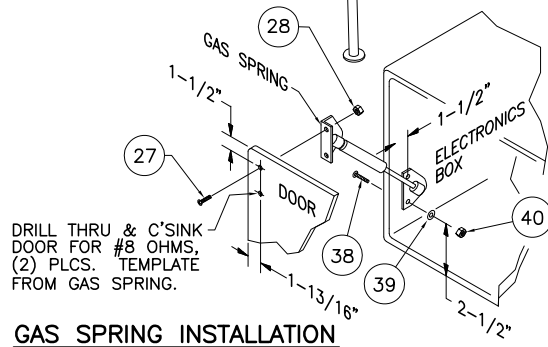
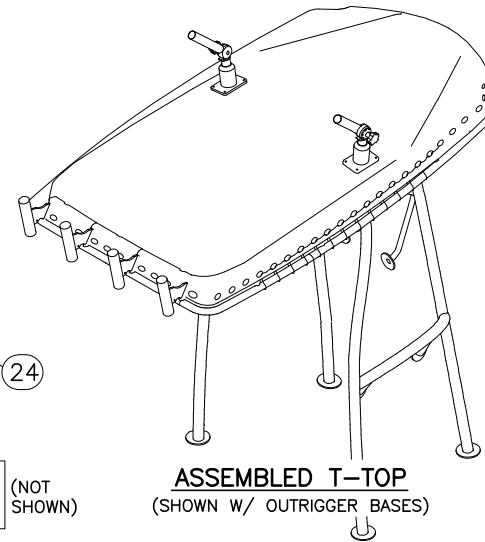
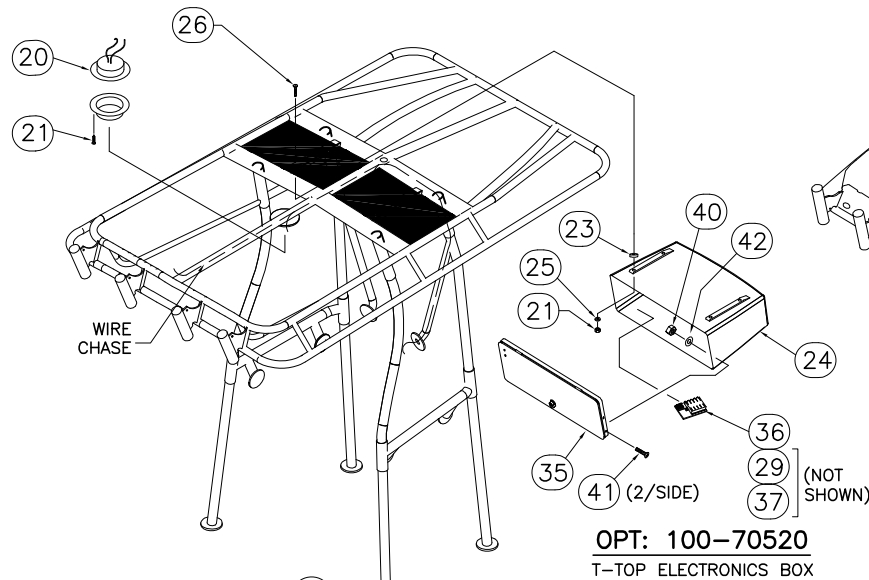
SHT. NO.
2 OF 4

THIS DOCUMENT IS THE PROPERTY OF BOSTON WHALER, INC. MFG. DEPT., EDGEWATER, FLORIDA. ALL RIGHTS ARE RESERVED. THIS DOCUMENT AND INFORMATION CONTAINED MUST NOT BE COPIED OR DISCLOSED TO OTHERS WITHOUT WRITTEN PERMISSION OF BOSTON WHALER, INC.

DWG. NO:
08401

REV.
H

CURRENT ECD
09035894



PARTS LIST

THIS DOCUMENT IS THE PROPERTY OF BOSTON WHALER, INC. MFG. DEPT., EDGEWATER, FLORIDA. ALL RIGHTS ARE RESERVED. THIS DOCUMENT AND INFORMATION CONTAINED MUST NOT BE COPIED OR DISCLOSED TO OTHERS WITHOUT WRITTEN PERMISSION OF BOSTON WHALER, INC.

DWG. NO:
08401

REV.
H

CURRENT ECD
09035894

ITEM	QTY.	U/M	DESCRIPTION	B.W.I. NO.
1	1	EA.	CANVAS, BW190NT-09 BIM TOP W/MNT BLUE	1963780
2	1	EA.	CANVAS, BW190NT-09 BIM TOP W/MNT BLK	1963779
3	4	EA.	SCREW, TAPPING #10A X 1.25" PFH SC	1259415
4	4	EA.	SCREW, MACHINE #10-24 X 1.75 POH SC	1215092
5	4	EA.	WASHER, FLAT #10 SC	1260751
6	4	EA.	NUT, HEX NYLON LOCK #10-24 SC	1007772
7	4	EA.	SCREW, TAPPING #6A X 1" POH SC	1213040
8	2	EA.	RIVET, POP/BLIND #3/16 X 3/8" SS	0192120
9	1	EA.	FRAME, BW2100R-05 T-TOP BRUSHED ALUM	1770967
10	18	EA.	NUT, ACORN #1/4-20 SC	1357813
11	18	EA.	WASHER, LOCK/SPLIT 1/4" SC	1260595
12	18	EA.	WASHER, FENDER 1/4" x 1.25" SC	1260678
13	18	EA.	SCREW, MACHINE #1/4-20 x 1.25" PPH	1260975
14	1	EA.	LIGHT, FLDWN VERTICAL MOUNT T-TOPS 12	1843247
15	2	EA.	SCREW, MACHINE #1/4-20 x 1" PPH SC	1008580
16	16	EA.	SCREW, MACHINE #1/4-20 X 1.75" PPH SC	1008606
17	1	PR.	OUTRIGGERS, TELESCOPING 15'SILV/SILV W/BAG	1775383
18	1	EA.	OUTRIGGERS, RIGGING KIT PREMIUM BLK CORD	1683760
19	1	PR.	OUTRIGGERS, GRAND SLAM - TOP MNT ADJ '06	1939156
20	1	EA.	LIGHT, SGL DOME FLUSH MT SS WHT/RED W/SW	1761590
21	4	EA.	NUT, LOCK #1/4-20 SC STD PATT	1009786
22	1	EA.	CANVAS, BW2100R-02 T-TOP SIDE CURT SET BLUE	1642586
23	4	EA.	BUMPER, BLACK	1039239
24	1	EA.	FBRGLS PART, ELEC BOX T-TOP	22-K075-00
25	4	EA.	WASHER, FLAT #1/4" SC	1260769
26	4	EA.	SCREW, CAP #1/4-20 X 1.25" HEX HD SC	1669852
27	2	EA.	SCREW, MACHINE #8-32 x 3/4" POH SC	1347178
28	8	EA.	NUT, HEX NYLON LOCK #8-32 SC	1260728
29	4	EA.	SCREW, TAPPING #8A X 1" PTH SC	1008804
30	1	EA.	CANVAS, BW2100R-04 T-TOP CVR BLK	1753150
31	1	EA.	CANVAS, BW2100R-04 T-TOP SIDE CURT SET BLK	1753151
32	1	EA.	CANVAS, BW2100R-02 T-TOP VISOR CURT BLUE	1642610
33	1	EA.	CANVAS, BW2100R-04 T-TOP VISOR CURT BLK	1753152
34	1	EA.	CANVAS, BW2100R-02 T-TOP CVR BLUE	1642503
35	1	EA.	DOOR, HDPE/PLEX BW-02 T-TOP ELEC BOX W/FRAME	1683928
36	1	EA.	FUSE BLOCK, 10-GNG BLADE-TYPE W/BLANK LABELS	1688102
37	1	EA.	BOOT, PVC TERMINAL INSULATOR CAP RED	1689904
38	6	EA.	SCREW, MACHINE #8-32 X 1" PTH SC	1008713
39	6	EA.	WASHER, FLAT #8 SC	1326297

(C)
(B)

(A)

(E)

(F)

(H)

(E)



INTERPRET DIMENSIONS AND TOLERANCES PER ANSI Y 14.5 UNLESS OTHERWISE SPECIFIED DIMENSIONS ARE IN INCHES.
TOLERANCES: ANGLES = ± .5° .XXX = ± .010
.X = ± .1 .X = ± 1/16
.XX = ± .03 X = ± 1/16
DO NOT SCALE DRAWING

DRAWN: H READ

DATE: 08/10/01

SCALE: NONE

BOAT MODEL

MOLD NO.

1900R

DWG. TITLE:

TOP ASSEMBLY AND CANVAS INSTALLATION

INIT. REL. ECN NO:

DWG. NO:

SHT. NO.

01060

08401

4 OF 4