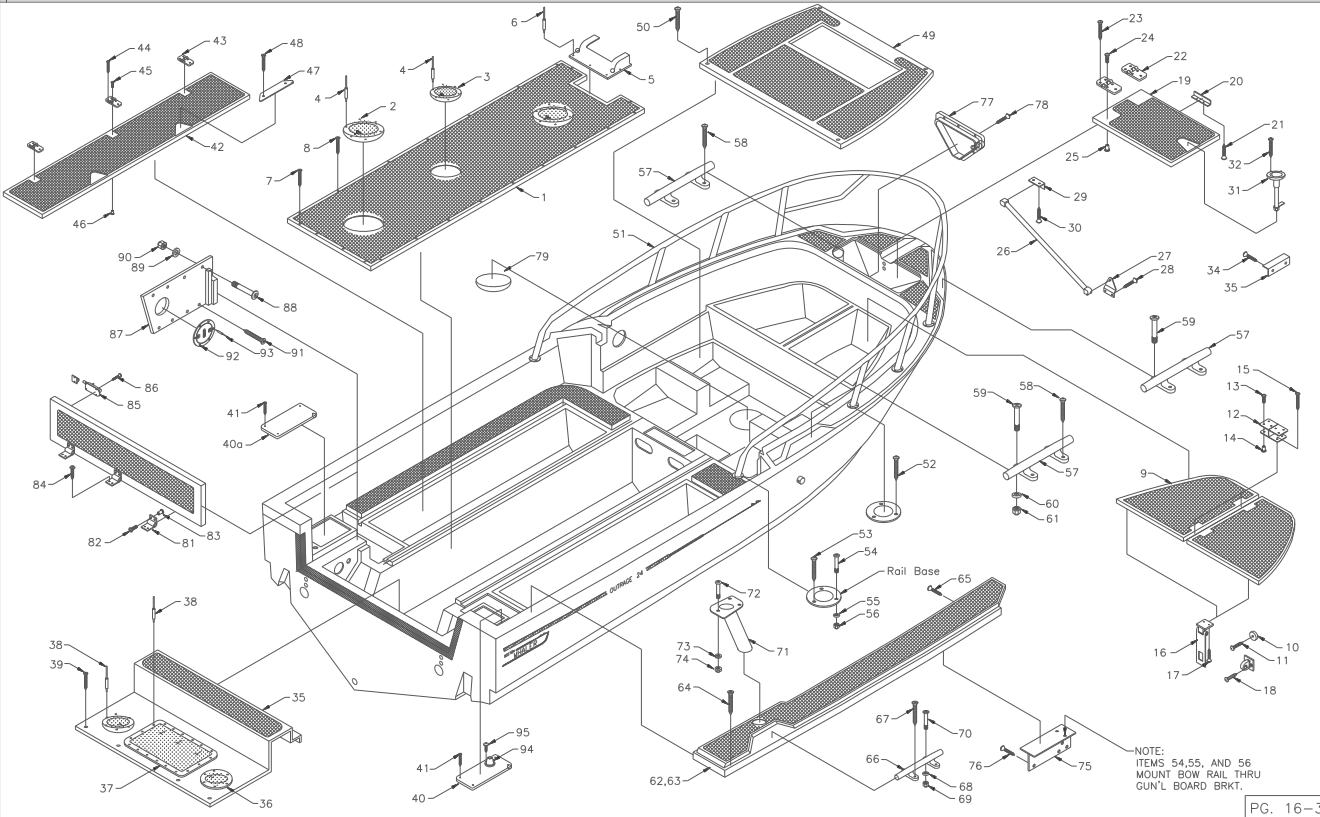


24' OUTRAGE HULL ASSY



24' OUTRAGE HULL ASSY

Det	P/N	Qty	Descr.	Det	P/N	Qty	Descr.
1	1061472	1	CVR, FUEL TANK	63	22-0945-01	1	GUN'L BOARD, STBD FBRGLS
2	1068659	2	ACCESS PLT, PPROP T-OUT 8" WHT	64	1022086	1	P/C TEAK, COAMING BOARD STBD
3	1068642	1	ACCESS PLT, PPROP T-OUT 6" WHT	64	1010248	34	SCR, TAP#10A X 1.5" PPH
4	0189415	18	RVT, POP/BLIND#3/16 X 5/8" ALUM	65	1008754	2	SCR, TAP#10A X 2" PTH
5	1001197	1	CVR, BUSS BAR BLK	66	1027010	2	CLEAT, 8" Hvy DUTY HOLLOW BASE
6	0189415	5	RVT, POP/BLIND#3/16 X 5/8" ALUM	67	1009950	4	SCR, MACH#1/4-20 X 1" PPH
7	1008747	4	SCR, TAP#10A X 1.5" PTH	68	0189365	4	WASHER, FENDER 1/4" X 1.25"
8	1008754	20	SCR, TAP#10A X 2" PTH	69	1009786	4	NUT, LOCK#1/4-20
9	1061449	1	CVR, STRG PORT FBRGLS	70	1010313	4	SCR, TAP#14A X 3/4" PPH
10	1061456	1	CVR, STRG STBD FBRGLS	71	1035286	2	HLD, ROD FLUSH MNT W/BW LOGO
11	1039247	2	BUMPER, BLK 3/4" DIA X 1/4" THK	72	1010438	6	SCR, MACH#1/4-20 X 1.5" PPH
12	1010925	2	SCR, TAP#8A X 5/8" PTH	73	0152926	6	WASHER, FLAT#1/4"
13	1014489	2	HINGE, HATCH LGR BASE	74	1009786	6	NUT, LOCK#1/4-20
14	1010545	12	SCR, MACH#10-24 X 5/8" POH	75	1030568	2	BRKT, GUN'L SUPPORT
15	1010248	8	SCR, TAP#10A X 1.5" PPH	76	1008697	8	SCR, TAP#14A X 1.5" PPH
16	0995134	2	HASP, SWIVEL FLUSH MNT	77	1058568	1	TRIM, HDPE ANCHOR LCKR SEAFM
17	1010362	4	SCR, TAP#6A X 1/2" PPH	78	1010552	5	SCR, TAP#10A X 3/4" POH
18	1008556	4	SCR, TAP#6A X 1.25" POH	79	1001122	1	CVR, 10.25" POUR HOLE EHT
19	1061548	1	CVR, ANCHOR LCKR FBRGLS	80	1061761	1	GATE, TRANSOM FBRGLS
20	1034552	1	FRAME, ANCHOR LCKR EDGE GUARD	81	0995167	3	HINGE, DOOR 1.5" X 2.25"
21	1008796	2	SCR, TAP#6A X 1/2" PTH	82	1010545	6	SCR, MACH#10-24 X 5/8" POH
22	0995159	2	HINGE, DOOR 1.5" X 3"	83	1040211	6	NUT, BBL#10-24 X 3/8" TH
23	1008507	4	SCR, TAP#10A X 1" POH	84	1008507	6	SCR, TAP#10A X 1" PPH
24	1010545	6	SCR, MACH#10-24 X 5/8" POH	85	1033042	2	BOLT, BARREL CHROME
25	1040187	1	NUT, BBL#10-24 X 3/8" FH	86	1010396	12	SCR, TAP#6A X 5/8" PPH
26	0688564	1	CYLN, GAS 30PSI 20" EXT X 12"	87	1061779	1	CLOSEOUT, TRANSOM P/S FBRGLS
27	0995084	1	BRKT, LFT CYL OFFSET W/STUD	88	1008713	8	SCR, MACH#8-32 X 1" PTH
28	1008812	2	SCR, TAP#8A X 1/2" PTH	89	0152900	8	WASHER, FLAT#8
29	0817676	1	BRKT, LFT CYL 90DEG 0.7" W/STUD	90	1008927	8	NUT, LOCK#8-32
30	1010925	2	SCR, TAP#8A X 5/8" PTH	91	1008804	8	SCR, TAP#8A X 1" PTH
31	1040898	1	LATCH, HANDLE HATCH	92	1016153	2	ACCESS PLT, PPROP T-OUT 5" WHT
32	1010362	4	SCR, TAP#6A X 1/2" PPH	93	0192120	12	RVT, POP/BLIND#3/16 X 3/8"
33	1014513	1	LOCK, STRIKE	94	1043223	1	BOOT, CABLE 3" BLK
34	1010925	2	SCR, TAP#8A X 5/8" PTH	95	1010925	6	SCR, TAP#8A X 5/8" PTH
35	22-0944-00	1	CVR, MOTORWELL FBRGLS	NOT SHOWN			
36	1068642	2	ACCESS PLT, PUS T-HANDLE 6" WHT	1016898	1	LABEL, VENT HOSE NO DRILL	
37	0682302	1	HATCH, UTILITY 13" X 23" WHT	1016443	1	LABEL, FUEL TANK NO DRILL	
38	0189415	30	RVT, POP/BLIND#3/16 X 5/8" ALUM	1016484	1	LABEL, NO SMOKING FUEL TK	
39	1008754	4	SCR, TAP#10A X 2" PTH	0995704	1	PLATE, WARN FUEL HAZARD	
40	1068204	1	CVR, RIGGING ACCESS STBD SEAFM	1016963	1	LABEL, WARN WIRES BENEATH N DRILL	
40a	1126085	1	CVR, RIGGING ACCESS PORT SEAFM	0995845	1	PLATE, NMMA	
41	1008739	16	SCR, TAP#10A X 1" PTH	0192047	4	RVT, POP/BLIND#1/8 X 3/8" ALUM	
42	1061407	2	CVR, FISHWELL FBRGLS	0522599	1	KEY, DECK PLATE CAP	
43	0995159	6	HINGE, DOOR 1.5" X 3"	1031228	1	PACKET, OWNERS DOCUMENTS	
44	1008507	12	SCR, TAP#10A X 1" POH	1031236	1	MANUAL, OWNERS	
45	1010545	18	SCR, MACH#10-24 X 5/8" POH	1043256	2	FLANGE, RIGGING 2" BLK	
46	1040187	18	NUT, BBL#10-24 X 3/8" FH	1043299	7	HOSE, SANI 2" ID RIGGING TUBE BLK	
47	1014455	4	HANDLE, HATCH				
48	1010362	8	SCR, TAP#6A X 1/2" PPH				
49	1061464	1	CVR, FWD FLOOR FBRGLS				
50	1008754	4	SCR, TAP#10A X 2" PTH				
51	1012053	1	RAIL, BOW				
52	1008754	18	SCR, TAP#14A X 1.5" PPH				
53	1008697	2	SCR, TAP#14A X 1" PPH				
54	1008614	4	SCR, MACH#1/4-20 X 2" PPH				
55	0152926	4	WASHER, FLAT#1/4"				
56	1009786	4	NUT, LOCK#1/4-20				
57	1027010	5	CLEAT, 8" Hvy DUTY HOLLOW BASE				
58	1010927	4	SCR, TAP#14A X 2" PTH				
59	1009950	16	SCR, MACH#1/4-20 X 1" PPH				
60	0189365	4	WASHER, FENDER 1/4" X 1.25"				
61	1009786	4	NUT, LOCK#1/4-20				
62	22-0945-00	1	GUN'L BOARD, PORT FBRGLS				
63	1001494	1	P/C TEAK, COAMING BOARD PORT				