

ROBALO



246 Cayman

**2017 PARTS
IDENTIFICATION GUIDE**

PARTS IDENTIFICATION GUIDE

246 CAYMAN 2017 YEAR MODEL INDEX

	ID PAGE	DESCRIPTIONS
DECK OVERHEAD	4 , 6	5 , 7
- Anchor Lid		
- Anchor Options		
- Lids		
- Cleats		
- Rod Holders		
- Interiors		
- Seating		
- Cup Holders		
HULL/DECK EXTERIOR	8 , 10	9 , 11 , 12
- Rubrails & Inserts		
- Thru Hulls		
- Bow Eye		
- Logos		
- Hull Logos		
- Stern Eyes		
DASH/HELM	13	14 , 15
- Capacity Plates		
- Compass		
- Console		
- GPS Options		
- Owner's Manual & Info Bag		
- Steering Options		
COCKPIT	16 , 18 , 20	17 , 19 , 21
- Deckplates		
- Fishing Rod Storage		
- Rod Holders		
- Speakers		
- Livewell		
- Tubs		
- Console		
DECK UNDERSIDE	22	23
- Hoses		

*Corrections were made to part, please see Revisions Page

PARTS IDENTIFICATION GUIDE

246 CAYMAN

2017 YEAR MODEL

INDEX

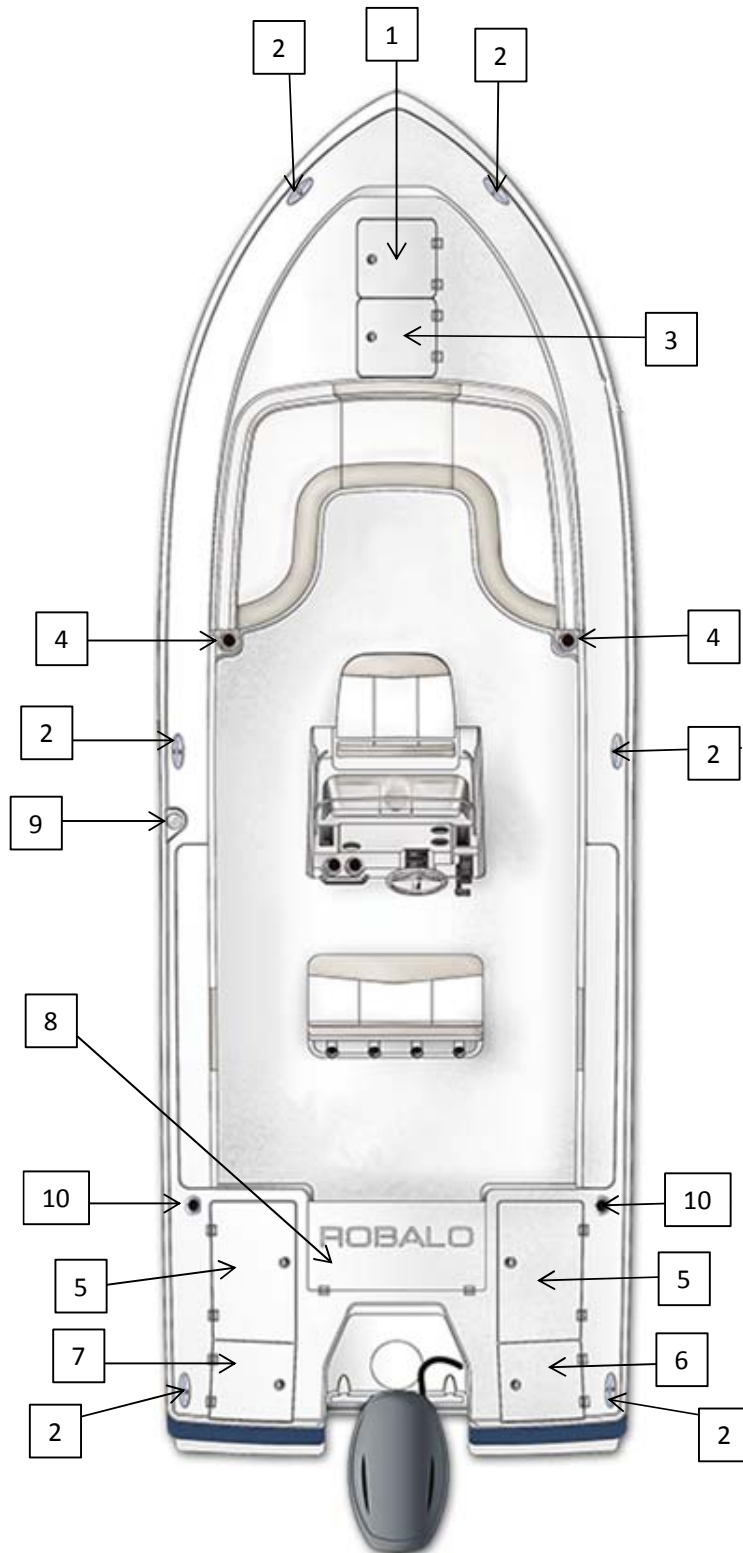
	ID PAGE	DESCRIPTIONS
ENGINE/BILGE COMPONENTS	24 , 26	25 , 27
- <i>Bilge Pump</i>		
- <i>Brackets</i>		
- <i>Fuel Hoses</i>		
- <i>Water Hoses</i>		
- <i>Battery Boxes</i>		
- <i>Battery Trays</i>		
- <i>Battery Cables</i>		
- <i>Battery Charger</i>		
- <i>Float Switch</i>		
- <i>Fuel Tank</i>		
ENGINE RIGGING COMPONENTS		28
- <i>Mercury Engines</i>		
- <i>Yamaha Engines</i>		
TRAILERS	29	30
- <i>Standard Trailer</i>		
- <i>Spare Tire Options</i>		
- <i>Trailer Upgrades</i>		
REVISIONS		31

*Corrections were made to part, please see Revisions Page

PARTS IDENTIFICATION GUIDE

[GO BACK](#)

246 CAYMAN 2017 YEAR MODEL DECK OVERHEAD



PARTS IDENTIFICATION GUIDE

GO BACK

246 CAYMAN 2017 YEAR MODEL DECK OVERHEAD

ITEM NO.	PART NO.	DESCRIPTION	QTY	UOM
1	38.01232	LID - ANCHOR	1	EA
1a	24.00012	LATCH-MODIFIED M1 2" SLAM W/O EGRESS "N"	1	EA
1b	42.00162	HINGE-BARRELL DOWN FRICTION 2 3/8" X 2" GEN2	2	EA
1c	212700	ANCHOR RETAINER	2	EA
1d	117090	SLIDING WINDOW LOCK-SS	2	EA
1e	ALH5W1/2X1.5X5	ANCHOR LINE HANGER	1	EA
2	27.00132	CLEAT-8IN PULL UP WIDE CUTTING EDGE W/ROBALO LOG	6	EA
3	38.01232	LID - ANCHOR	1	EA
3a	24.00012	LATCH- MODIFIED M1 2" SLAM W/O EGRESS "N"	1	EA
3b	42.00162	HINGE-BARRELL DOWN FRICTION 2 3/8" X 2" GEN2	2	EA
3c	38.01028	TUB-FWD FISH BOX R246	1	EA
3d	AHVWD-92	AERATOR HEAD/WASH DOWN WHITE	1	EA
3e	TH-1592F*	OVERFLOW DRAIN 90 DEG. WITH FILTER	1	EA
4	12.00003	CUP HOLDER - 1014 316L CUP HOLDER W/2 SPRINGS	2	EA
5	38.00987	LID-AFT BAITWELL (30 GAL) R226	2	EA
5a	24.00088	LATCH- 2" NL BEVELED FACE/THIN, U SHAPED/16MM	2	EA
5b	42.00162	HINGE-BARRELL DOWN FRICTION 2 3/8" X 2" GEN2	4	EA
6	38.01007	LID-SWIM LADDER/BUCKET	1	EA
6a	24.00088	LATCH- 2" NL BEVELED FACE/THIN, U SHAPED/16MM	1	EA
6b	42.00169	HINGE-1 1/2" X 2 3/8" FRICTION GEN 2	2	EA
6c	27.00165	LADDER-4 STEP TELESCOPING W/GRABRAIL & WELDED PA	1	EA
7	38.01007	LID-SWIM LADDER/BUCKET	1	EA
7a	24.00088	LATCH- 2" NL BEVELED FACE/THIN, U SHAPED/16MM	1	EA
7b	42.00169	HINGE - BARREL DOWN FRICTION GEN2 1 1/2" X 2 3/8"	2	EA
7c	71.00059	BUCKET - ROBALO LOGO 5 GAL BUCKET	1	EA
8	38.01230	AFT SEAT BACKREST	1	EA
8a	42.00186	HINGE-11" LONG	2	EA
9	27.00111	FILL-EPA GAS STRAIGHT-SS	1	EA
10	12.00003	CUP HOLDER - 1014 316L CUP HOLDER W/2 SPRINGS	2	EA

Parts not pictured which are associated with the Deck Overhead

NOT PICTURED	1045-SPL-009-P	ROUND LIGHT BASE PACKARD CONNECTOR/	2	EA
NOT PICTURED	25.00073	LIGHT-17 3/8 REMOVABLE BOW	1	EA
NOT PICTURED	25.00077	LIGHT-72IN WHITE ALL ROUND OAH	1	EA
NOT PICTURED	12.00012	CUP HOLDER - W/ 3/8" HOSE BARB & W/O SPRINGS (Opt: Removable Bow Seat)	2	EA
NOT PICTURED	88385	ROD HOLDER SS 30 DEGREE BLACK INSERT	2	EA

CUP / ROD HOLDER OPTION

NOT PICTURED	12.00006	CUP/ROD HOLDER-SS 30 DEG	2	EA
--------------	----------	--------------------------	---	----

ANCHOR OPTION

NOT PICTURED	50.00034	ANCHOR-12LB CUSTOM SAND ANCHOR	1	EA
NOT PICTURED	HM10HT200P	8 PLAITED 1/2 ANCHOR RODE	1	EA

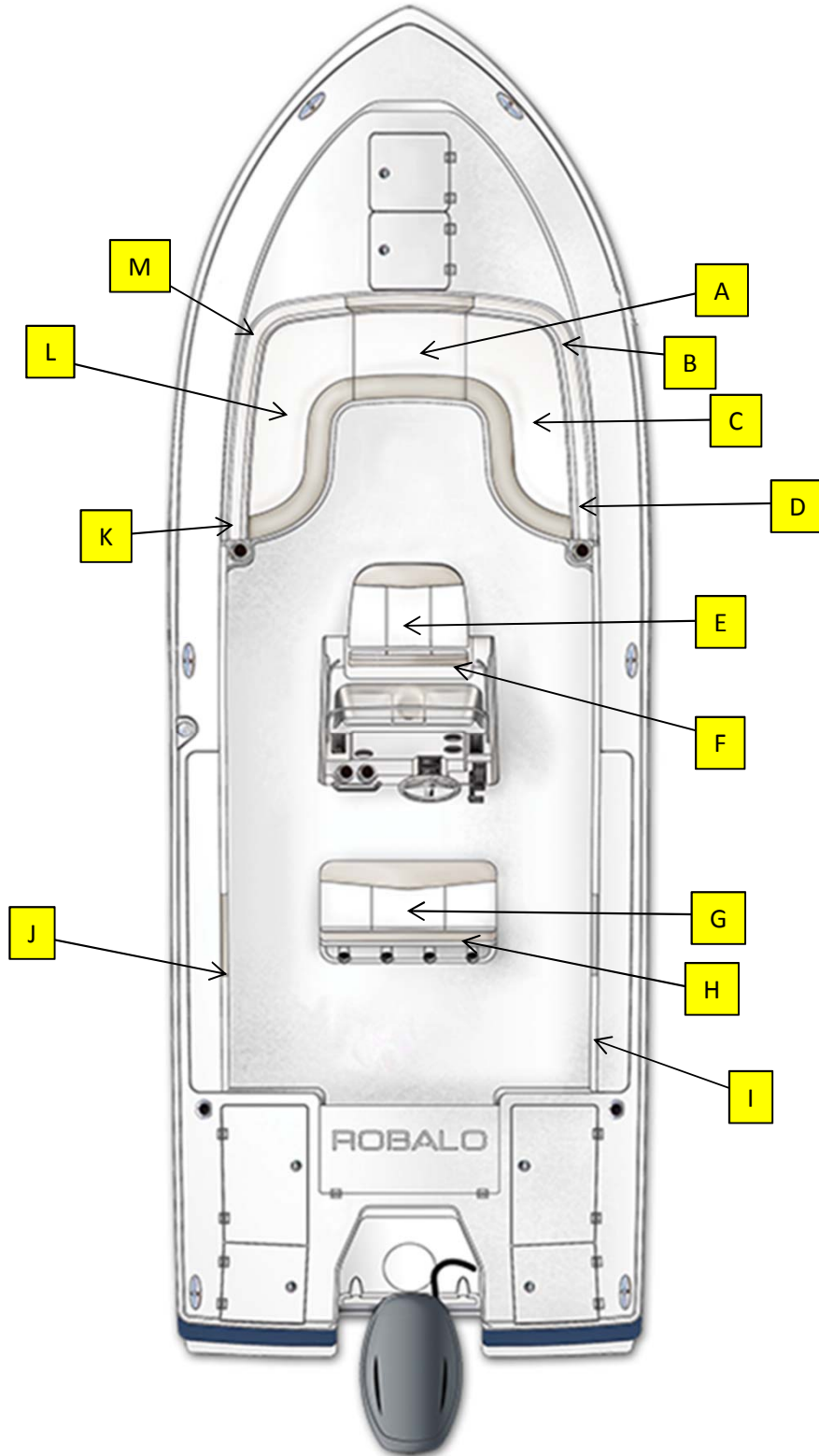
PARTS IDENTIFICATION GUIDE

[GO BACK](#)

246 CAYMAN

2017 YEAR MODEL

DECK OVERHEAD-INTERIORS



PARTS IDENTIFICATION GUIDE

[GO BACK](#)

246 CAYMAN

2017 YEAR MODEL

DECK OVERHEAD-INTERIORS

ITEM NO.	PART NO.	DESCRIPTION	QTY
A	0961000	CENTER BOW CUSHION (Optional)	1
B	0953000	STARBOARD BOW FWD CORNER BACKREST	1
C	0960000	STARBOARD BOW CUSHION (Optional)	1
D	0955000	STARBOARD FWD PANEL	1
E	0958000	CONSOLE CUSHION	1
F	0957000	CONSOLE BACKREST	1
G	0969000	LEANING POST CUSHION	1
H	0968000	LEANING POST BACKREST	1
I	0965000	STARBOARD AFT PANEL	1
J	0964000	PORT AFT PANEL	1
K	0956000	PORT BOW FWD BACKREST	1
L	0959000	PORT BOW CUSHION (Optional)	1
M	0954000	PORT BOW FWD CORNER BACKREST	1

Parts not pictured which are associated with the Deck Overhead-Interiors

NOT PICTURED	0963000	BOW FILLER CUSHION (Optional)	1
NOT PICTURED	0974000	PORT REMOVABLE BOW CUSHION BACKREST (Optional)	1
NOT PICTURED	0975000	STBD REMOVABLE BOW CUSHION BACKREST (Optional)	1
NOT PICTURED	0966000	AFT SEAT BACKREST	1
NOT PICTURED	0967000	AFT SEAT CUSHION	1

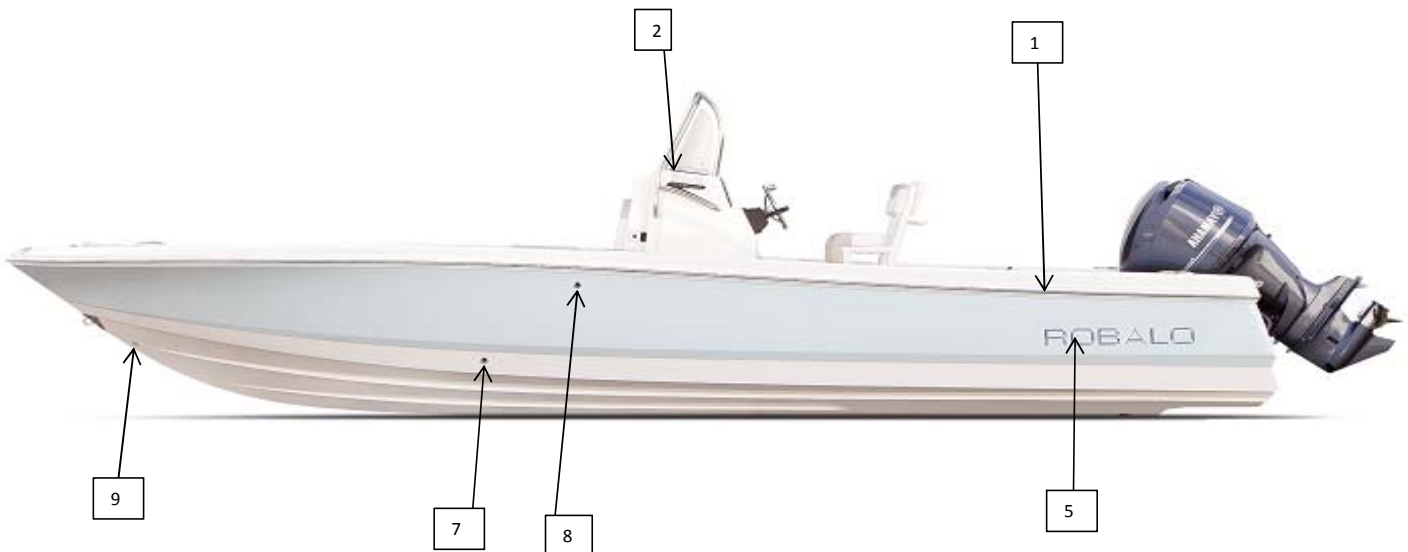
PARTS IDENTIFICATION GUIDE

[GO BACK](#)

246 CAYMAN

2017 YEAR MODEL

HULL/DECK EXTERIOR



PARTS IDENTIFICATION GUIDE

GO BACK

246 CAYMAN 2017 YEAR MODEL HULL/DECK EXTERIOR

ITEM NO	PART NO	DESCRIPTION	QTY	UOM
1	28.00201*	RUBRAIL - 59' COILED WHITE	1	EA
1a	28.00132	INSERT-3/4IN SS RUBRAIL-10FT	1	EA
1b	28.00070	INSERT-RUBRAIL 3/4" SS 16FT	3	EA
2	14.01254	DECAL-DESIGNATOR CAYMAN	2	EA
2a	14.00151	LOGO-NUMBER 2-CHROME INJECTION MOLDED	2	EA
2b	14.00153	LOGO-NUMBER 4-CHROME INJECTION MOLDED	2	EA
2c	14.00155	LOGO-NUMBER 6-CHROME INJECTION MOLDED	2	EA
2d	14.01357	GRAPHIC SET - CAYMAN CONSOLE APPLIQUE	1	ST
2e	14.01254	DECAL - DESIGNATOR CAYMAN	2	EA
3	21.00005	HORN - DROP-IN W/CAPACITOR	1	EA
3a	11124	SS HORN GRILL	1	EA
3b	11190	WHITE SCREW MOUNT GRILL	1	EA
3c	11187	LARGE WHITE HORN GRILL	1	EA
4	41.00093	PLATE-SS BOW EYE CHAFE PLATE	1	EA
5	14.01356	LOGO ROBALO	2	EA
6	34.00215	THRU HULL-3/4 GLASS W/SS CAP W/BARB	1	EA
7	47.00065	THRU HULL - RESIN 90 DEGREE W/SS COVER - 1-1/2"	2	EA
8	71.00010	STAINLESS P-TRAP 90DEG W/FLUSH VENT	1	EA
9	2340-840	MIDGET VENT 1 1/2 X 1 3/4	1	EA

Parts not pictured which are associated with the Hull / Deck Exterior

NOT PICTURED	41.00051	THRU HULL - 1IN 90DEGREE SS	1	EA
--------------	----------	-----------------------------	---	----

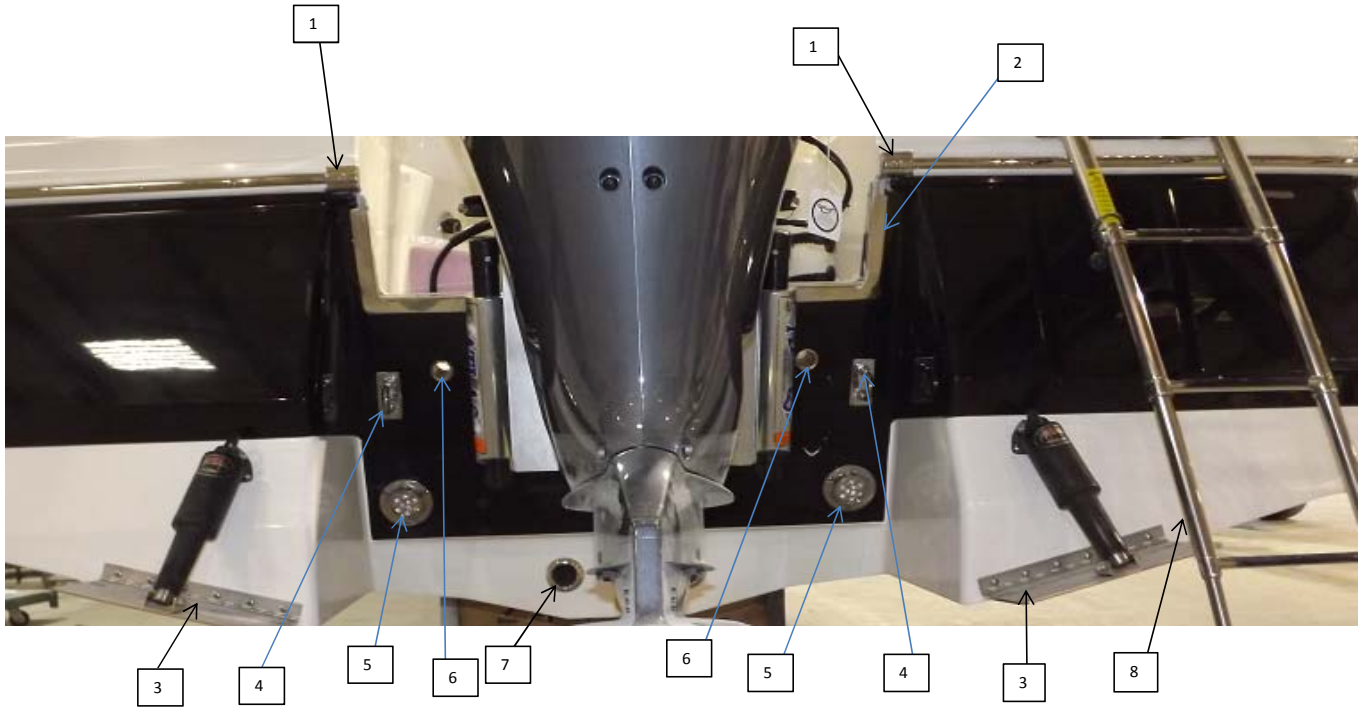
TROLLING MOTOR OPTION

NOT PICTURED	16.02039*	TROLLING MOTOR - RT 112/STW/PILOT 72 SHAFT 36VOV	1	EA
NOT PICTURED	13.03393	HARNES - TROLLING MOTOR	1	EA
NOT PICTURED	06.00257	PLATE - 1/2" TROLLING MOTOR	1	EA
NOT PICTURED	13.01847	PLUG - TROLLING MOTOR WIRE PLUG AND INSTALLATION	1	EA

PARTS IDENTIFICATION GUIDE

[GO BACK](#)

246 CAYMAN 2017 YEAR MODEL HULL/DECK EXTERIOR



PARTS IDENTIFICATION GUIDE

GO BACK

246 CAYMAN 2017 YEAR MODEL HULL/DECK EXTERIOR

ITEM NO	PART NO	DESCRIPTION	QTY	UOM
1	B-01348	SMALL SS RUBRAIL END CAP	1	PR
2	28.00156	TRIM-TRANSOM SS-R246	1	EA
3	48.00013	TRIM TAB KIT-6 X 12-7GA W/1IN HINGE & F3 METAL (Opt: Trim Tab)	1	EA
3a	13.02660	HARNESS-TRIM TAB R226 (Option: Trim Tab)	1	EA
4	STESW1003	1/2 X 3 7/16 STERN EYE	2	EA
5	25.00125	LIGHT-SEABLAZE3 BLUE NON-DIMMING UNDERWATER (Opt: Underwater Lights)	2	EA
5a	13.02681	HARNESS-UNDERWATER LIGHT R226 (Option: Underwater Lights)	1	EA
6	21253-388*	1.25OD X 3.875 BRASS TUBE	2	EA
7	47.00059*	THRU HULL - 1 1/2IN 90DEG W/BARB	1	EA
8	27.00165	LADDER-4 STEP TELESCOPING W/GRAB RAIL & WELDED PA	1	EA

Parts not pictured which are associated with the Hull / Deck Exterior

NOT PICTURED	04.9999079	SPLASHWELL PLATFORM ASSY	1	EA
NOT PICTURED	04.9340135	SPLASHWELL PLATFORM HOLDER	1	EA
NOT PICTURED	04.9340136	SPLASHWELL PLATFORM HOLDER	1	EA
NOT PICTURED	04.9999081	SPLASHWELL PLATFORM HOLDER	1	EA
NOT PICTURED	41.00108	SPLASHWELL PLATFORM STIFFENER W/ END CAPS 16GA	1	EA
NOT PICTURED	14.01047	PLATE-CUSTOM TRANSOM ENGRAVED "ROBALO"	1	EA
NOT PICTURED	27.00153	ACCESS PLATE - 8" SCREW OUT - POLAR WHITE	1	EA
NOT PICTURED	47.00065	THRU HULL-RESIN 90 DEGREE W/SS CO-1/2"	2	EA
NOT PICTURED	127-2000-R	HOSE-2 IN BLACK OUTBOARD	3	FT
NOT PICTURED	50994	GARBOARD DRAIN PLUG 100/	1	EA
NOT PICTURED	50993	GARBOARD DRAIN FLANGE 100	1	EA
NOT PICTURED	191-R	SS WATER OUTLET	1	EA
NOT PICTURED	38.00953X	TRANSOM DAM - R206	1	EA
NOT PICTURED	65-005-PLB	3/4 HIGH SPEED PICKUP UN10	1	EA

BIMINI TOP W/BOOT

NOT PICTURED	27.00137	BRACKET-CANVAS SS MOUNT CONCAVE OUTSIDE SOCKET	6	EA
NOT PICTURED	10.03456	BIMINI TOP W/BOOT-BLACK	1	EA
NOT PICTURED	10.03457	BIMINI TOP W/BOOT-BLUE	1	EA
NOT PICTURED	10.04248	BIMINI TOP W/BOOT - OCEAN BLUE	1	EA
NOT PICTURED	42.00232	BRACKET - BIMINI BRACKET PLATE	4	EA

AFT PLATFORM W/LADDER OPTIONS

NOT PICTURED	38.01443	AFT PLATFORM W/LADDER- DEEPWATER BLACK (STBD) - R2	1	EA
NOT PICTURED	27.00198	LADDER - 3 STEP LADDER	1	EA
NOT PICTURED	36.00135	RAIL - AFT PLATFORM STBD GRAB RAIL	1	EA
NOT PICTURED	06.00277	BRACKET - SWIM PLATFORM (CAYMAN)	2	EA
NOT PICTURED	38.01445	AFT PLATFORM W/LADDER- DEEPWATER BLUE (STBD) - R22	1	EA
NOT PICTURED	38.01451	AFT PLATFORM W/LADDER- SEA FOAM GREEN (STBD) - R22	1	EA
NOT PICTURED	38.01447	AFT PLATFORM W/LADDER- ICE BLUE (STBD) - R226/246	1	EA
NOT PICTURED	38.01449	AFT PLATFORM W/LADDER- OCEAN BLUE (STBD) - R226/24	1	EA
NOT PICTURED	38.01453	AFT PLATFORM W/LADDER- SHARK GRAY (STBD) - R226/24	1	EA
NOT PICTURED	38.01441	AFT PLATFORM W/LADDER STBD WHITE	1	EA
NOT PICTURED	38.01444	AFT PLATFORM (PORT) - DEEPWATER BLACK - R226/246	1	EA
NOT PICTURED	36.00134	RAIL - AFT PLATFORM PORT GRAB RAIL	1	EA
NOT PICTURED	06.00277	BRACKET - SWIM PLATFORM (CAYMAN)	4	EA
NOT PICTURED	38.01446	AFT PLATFORM (PORT) - DEEPWATER BLUE - R226/246	1	EA
NOT PICTURED	38.01452	AFT PLATFORM (PORT) - SEA FOAM GREEN - R226/246	1	EA
NOT PICTURED	38.01448	AFT PLATFORM (PORT) - ICE BLUE - R226/246	1	EA
NOT PICTURED	38.0145	AFT PLATFORM (PORT) - OCEAN BLUE - R226/246	1	EA
NOT PICTURED	38.01454	AFT PLATFORM (PORT) - SHARK GRAY - R226/246	1	EA
NOT PICTURED	33.00139	TUB - CAYMAN LADDER POCKET	1	EA
NOT PICTURED	38.01442	AFT PLATFORM PORT WHITE	1	EA

T-TOP OUTRIGGERS - TACO "GRANDSLAM" OPTION

NOT PICTURED	RK-0001PB	BLK PREMIUM RIGGING KIT	1	PR
NOT PICTURED	27.00026	MOUNT - OUTRIGGER MOUNT W/ERGONOMIC GRIP HANDLE	1	EA
NOT PICTURED	OT-0542VEL15-HD	15FT SILVER OUTRIGGER POLES	1	PR

PARTS IDENTIFICATION GUIDE

GO BACK

246 CAYMAN

2017 YEAR MODEL

HULL/DECK EXTERIOR

ANODIZED T-TOP W/ FIBERGLASS HARD TOP

ITEM NO	PART NO	DESCRIPTION	QTY	UOM
NOT PICTURED	38.01083	FIBERGLASS T-TOP OUTER WHITE R246	1	EA
NOT PICTURED	38.01084	FIBERGLASS T-TOP INNER WHITE R246	1	EA
NOT PICTURED	38.01104	FIBERGLASS T-TOP INNER-DEEPWATER BLACK R246	1	EA
NOT PICTURED	38.01105	FIBERGLASS T-TOP-DEEPWATER BLUE R246	1	EA
NOT PICTURED	38.01146	FIBERGLASS T-TOP-SHARK GRAY R246	1	EA
NOT PICTURED	38.01280	FIBERGLASS T-TOP INNER-SEA FOAM GREEN R246	1	EA
NOT PICTURED	38.01113	FIBERGLASS T-TOP-ICE BLUE R246	1	EA
NOT PICTURED	38.01107	FIBERGLASS T-TOP-TAN R246	1	EA
NOT PICTURED	06.00214	FRAME - HARDTOP ANODIZED	1	EA
NOT PICTURED	04.9120215	STORAGE DOOR	1	EA
NOT PICTURED	1637-SPL-004	MAST HEAD LIGHT 12 5/8 INCH	1	EA
NOT PICTURED	24.00075	LATCH-PUSH BUTTON LOCKING BLACK LATCH	1	EA
NOT PICTURED	25.00102	LIGHT - FLUSH MOUNT LED SPREADER LIGHT 4X3 WATT WH	3	EA
NOT PICTURED	42.00210	HINGE - FRICTION HINGE 2.33" X 1.5 20LB	2	EA
NOT PICTURED	DP40-38	1998 4 IN WH DECK PLATE	1	EA
NOT PICTURED	13.02732	HARNESS-HARDTOP R226/246	1	EA
NOT PICTURED	13.02751	HARNESS-HARDTOP ADAPTER	1	EA

POWDER COATED T-TOP W/ FIBERGLASS HARD TOP

NOT PICTURED	38.01083	FIBERGLASS T-TOP OUTER R246	1	EA
NOT PICTURED	38.01084	FIBERGLASS T-TOP INNER R246	1	EA
NOT PICTURED	38.01420	FIBERGLASS T-TOP INNER - OCEAN BLUE R246	1	EA
NOT PICTURED	38.01104	FIBERGLASS T-TOP INNER-DEEPWATER BLACK R246	1	EA
NOT PICTURED	38.01105	FIBERGLASS T-TOP-DEEPWATER BLUE R246	1	EA
NOT PICTURED	38.01146	FIBERGLASS T-TOP-SHARK GRAY R246	1	EA
NOT PICTURED	38.01280	FIBERGLASS T-TOP INNER-SEA FOAM GREEN R246	1	EA
NOT PICTURED	38.01113	FIBERGLASS T-TOP-ICE BLUE R246	1	EA
NOT PICTURED	38.01107	FIBERGLASS T-TOP-TAN R246	1	EA
NOT PICTURED	06.00215	FRAME - HARDTOP POWDER COATED-WHITE	1	EA
NOT PICTURED	6.00339	FRAME - HARDTOP POWDER COATED-BLACK	1	EA
NOT PICTURED	04.9120215	STORAGE DOOR	1	EA
NOT PICTURED	1637-SPL-004*	MAST HEAD LIGHT 12 5/8 INCH	1	EA
NOT PICTURED	24.00075	LATCH-PUSH BUTTON LOCKING BLACK LATCH	1	EA
NOT PICTURED	25.00102	LIGHT - FLUSH MOUNT LED SPREADER LIGHT 4X3 WATT WH	3	EA
NOT PICTURED	42.00210	HINGE - FRICTION HINGE 2.33" X 1.5 20LB	2	EA
NOT PICTURED	DP40-38	1998 4 IN WH DECK PLATE	1	EA
NOT PICTURED	13.02732	HARNESS-HARDTOP R226/246	1	EA
NOT PICTURED	13.02751	HARNESS-HARDTOP ADAPTER	1	EA
NOT PICTURED	28.00189	TRIM - HARDTOP TRIM RING	1	EA
NOT PICTURED	24.00075	LATCH - PUSH BUTTON LOCKING BLACK LATCH	1	EA

FRESH WATER SHOWER

NOT PICTURED	35.00020	PUMP-AQUA KING II WATER PUMP	1	EA
NOT PICTURED	27.00070	FILL-SS STRAIGHT VETED DECK FILL WATER	1	EA
NOT PICTURED	148-0580	HOSE-5/8 WHITE SMOOTH PVC	5	FT
NOT PICTURED	149-1120-R	HOSE-1 1/2 PVC LIVEWELL	5	FT
NOT PICTURED	34.00172	STRAINER-1/2" NPT SWIVEL	1	EA
NOT PICTURED	191-R	SS WATER OUTLET	1	EA
NOT PICTURED	59.00114	HOSE-EC15201BX BLUE SUPERCOIL-15FT	1	EA
NOT PICTURED	59.00128	HOSE-3/4" WATER	4	FT
NOT PICTURED	94-1409	TANK-13.5G WATER TANK	1	EA

MOORING COVER OPTIONS

NOT PICTURED	18.00411	MOORING COVER - R246	1	EA
NOT PICTURED	18.00412	MOORING COVER - TROLLING MOTOR R246	1	EA
NOT PICTURED	18.00424	MOORING COVER - T-TOP R246	1	EA
NOT PICTURED	18.00414	MOORING COVER - T-TOP W/TROLLING MOTOR R246	1	EA

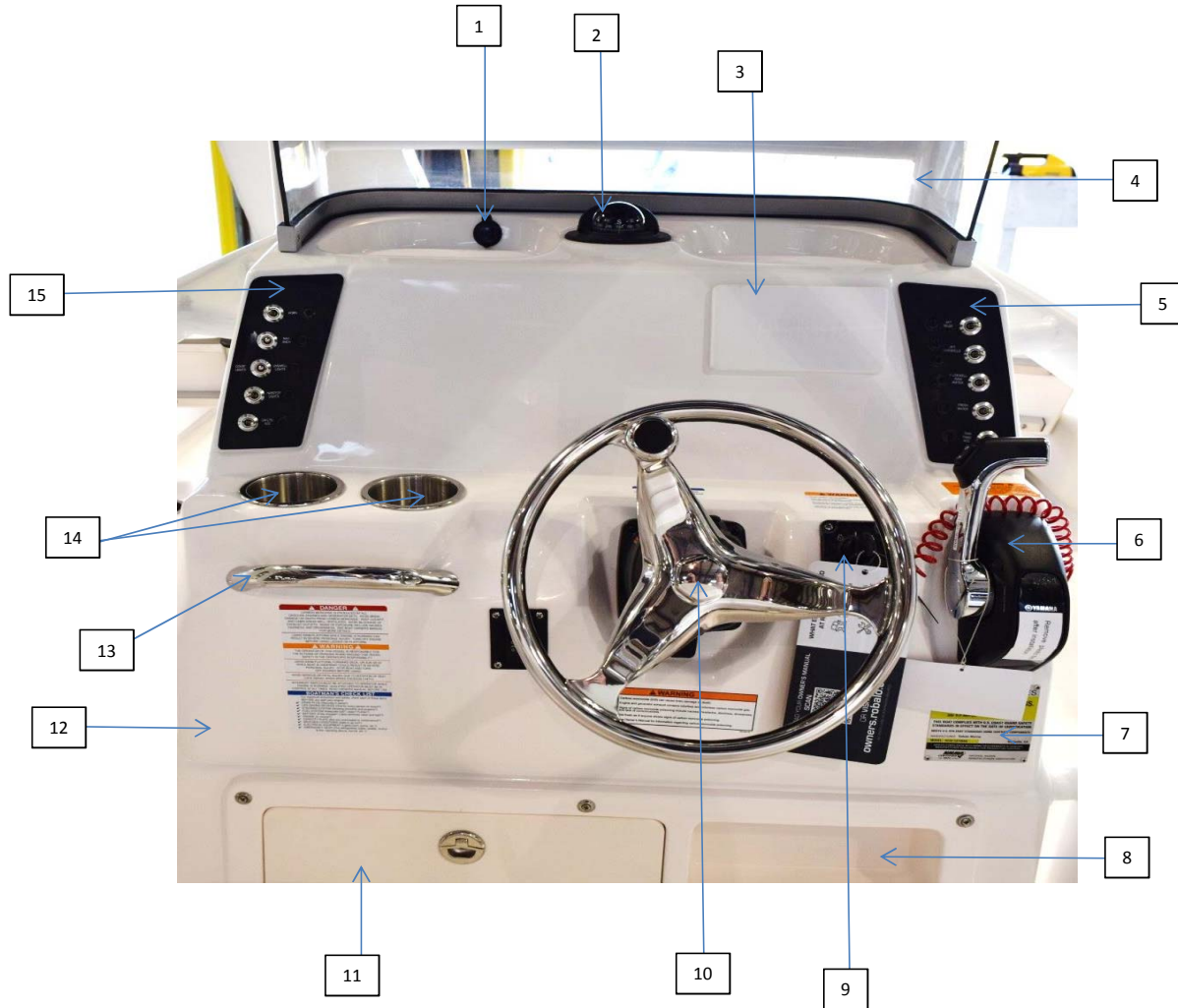
SKI TOW

NOT PICTURED	27.00145	SKI TOW RAIL-BRUSHED ANODIZED	1	EA
NOT PICTURED	27.00121	SKI TOW RAIL-POWDER COATED-WHITE	1	EA
NOT PICTURED	27.00208	SKI TOW RAIL-POWDER COATED-BLACK	1	EA
NOT PICTURED	06.00248	PLATE - SKI TOW BACKING	2	EA

PARTS IDENTIFICATION GUIDE

[GO BACK](#)

246 CAYMAN 2017 YEAR MODEL DASH/HELM



PARTS IDENTIFICATION GUIDE

GO BACK

246 CAYMAN 2017 YEAR MODEL DASH/HELM

ITEM NO	PART NO	DESCRIPTION	QTY	UOM
1	13.01208	PANEL-POWER PLUG NO PIG	1	EA
2	F-50	COMPASS	1	EA
3	16.00821	GAUGE KIT-CLP DISPLAY (Option: Yamaha Engines)	1	EA
3a	16.00822	INSTALLATION KIT-CLP DISPLAY GAUGE KIT (Option: Yamaha Engines)	1	EA
3b	16.01773	GAUGE KIT-ROUND CL GAUGE KIT (Option: Yamaha Engines)	1	EA
3c	13.02225	GAUGE KIT-TACH/SP 80 BLK, GLASS LENS (Option: Mercury Engines)	1	EA
4	51.00203	WINDSCREEN-206 PLEX BRONZE	1	EA
4a	51.00238	WINDSHEILD - OPTIONAL FOR REMOVABLE RAIL (Opt.)	1	EA
5	13.03420*	PANEL - STBD SWITCH	1	EA
6	16.00879	CONTROL-704 SINGLE BINNACLE-PREMIUM ED (Opt: Yamaha Engines)	1	EA
6a	43.00058	THROTTLE-17FT PREMIER II CONTROL CABLE (Opt: Yamaha Engines)	2	EA
6b	704-82570-08-00	CONTROL-SWITCH PANEL-704 SINGLE (Option: Yamaha Engines)	1	EA
6c	16.00826	CONTROL-CLP DEC SINGLE (Option: Yamaha Mech. Engines)	1	EA
6d	MAR-CABLE-18-BK	CONTROL CABLE-18 FT PREMIER II	1	EA
6e	16.01276	RIGGING KIT-DTS SLIM CONSOLE SINGLE CHROME ERC (Opt: Mercury Engines)	1	EA
6f	16.00826	CONTROL - CLP DEC SINGLE	1	EA
7	14.01379	PLATE - R246 CAPACITY 9 PERSON/1350LBS MAX-WEIGHT	1	EA
7a	14.01861	PLATE - R246-AUSTRALIAN 9 PERSON/1350LBS MAX WEIGH	1	EA
7b	14.01377	PLATE-2015 CANADIAN R246	1	EA
7c	14.01376	PLATE-2015 CE R246 PERSON/MAX	1	EA
8	38.01332	FOOTREST - R226/246/242/302	1	EA
8a	04.9120180	CONSOLE STORAGE KEEPER	1	EA
9	16.00824	PANEL - KEY SWITCH CLP SINGLE- W/ KILL SWITCH	1	EA
10	43.00075	STEERING WHEEL- 13 1/2IN EVOLUTION W/KNOB	1	EA
10a	43.00120	STEERING - 1/2" & 5/8" BASE S.S. FAUX NUT	1	EA
10b	43.00036*	HELM - SS 1.7 TILT	1	EA
10c	43.00073	TILT HELM-W/24FT LEAD-SINGLE ENGINE (Option: Mercury Engines)	1	EA
10d	13.02226	BEZEL-CHROME SC1000 (Option: Mercury Engines)	2	PK
10e	HO8318	18FT HYD STEERING HOSE KIT	1	EA
10f	43.00063*	STEERING - 6FT POWER STEERING HOSE KIT (Option: Mercury Engine)	1	EA
10g	43.00062	STEERING - 4FT POWER STEERING HOSE KIT (Option: Mercury Engine)	1	EA
10h	43.00106*	STEERING - 5FT STEERING HOSE KIT(Option: Mercury Engine)	1	EA
10i	43.00104*	STEERING - 2FT POWERSTEERING HOSE KIT	1	EA
11	04.9120182	CONSOLE STORAGE DOOR	1	EA
11a	24.00070	LATCH-GRAND SLAM 1-3/8"	1	EA
12	38.00982	CONSOLE-R226	1	EA
13	36-00001	RAIL- 7.37" STUD GRAB RAIL FLARED ENDS SS 304	1	EA
14	12-00001*	CUPHOLDER-STEPPED WELL W/ NOISE PROTECTION PAD 3	2	EA
15	13.02900	PANEL - PORT SWITCH PANEL	1	EA

PARTS IDENTIFICATION GUIDE

GO BACK

246 CAYMAN 2017 YEAR MODEL DASH/HELM

Parts not pictured which are associated with the Dash/Helm

ITEM NO	PART NO	DESCRIPTION	QTY	UOM
NOT PICTURED	15.00237*	GARMIN - GPSMAP 721XS - INTL (Option: Garmin)	1	EA
NOT PICTURED	15.00235*	GARMIN - GPSMAP 741XS - US & CANADA (Option: Garmin)	1	EA
NOT PICTURED	48.00008*	TRIM TAB SWITCH-LED INDICATOR W/RETRACTOR & DEUT (Opt: Trim Tab)	1	EA
NOT PICTURED	01.00010	OWNER MANUAL-INTERNATIONAL MULTI LANGUAGE	1	EA
NOT PICTURED	01-00006	OWNERS INFO BAG-18.5 X 15 ROBALO BLACK	1	EA
NOT PICTURED	01.00043	OWNERS MANUAL-NMMA FISHING AND SKIING	1	EA
NOT PICTURED	01.00081	OWNER'S MANUAL HANG TAG - ROBALO'S	1	EA
NOT PICTURED	36.00113	RAIL-CONSOLE GRAB R226	1	EA
NOT PICTURED	13.02580	PANEL-SGL BATTERY R206	1	EA
NOT PICTURED	13.02689	MERC VERADO IGN/EMER STOP SW PNL BLk	1	EA
NOT PICTURED	HC5345	FRONT MOUNT CYLINDER	1	EA
NOT PICTURED	60.00196	MAT - PORT CONSOLE STORAGE WHITE	1	EA
NOT PICTURED	60.00197	MAT - STBD CONSOLE STORAGE WHITE	1	EA

CONSOLE COVERS

NOT PICTURED	10.03382	CONSOLE COVER W/O T-TOP BLACK R226	1	EA
NOT PICTURED	10.03383	CONSOLE COVER W/O T-TOP BLUE R226	1	EA
NOT PICTURED	10.04257	CONSOLE COVER W/O T-TOP OCEAN BLUE R226	1	EA
NOT PICTURED	10.04261	CONSOLE COVER W/ T-TOP OCEAN BLUE R226	1	EA
NOT PICTURED	10.04143	CONSOLE COVER W/ T-TOP BLACK R246/226	1	EA
NOT PICTURED	10.04144	CONSOLE COVER W/ T-TOP BLUE R226	1	EA
NOT PICTURED	10.03821	CONSOLE COVER W/FOLDING WINDSHEILD - BLACK	1	EA
NOT PICTURED	10.03822	CONSOLE COVER W/FOLDING WINDSHEILD - BLUE	1	EA
NOT PICTURED	10.04183	CONSOLE COVER W/FOLDING WINDSHEILD - OCEAN BLUE	1	EA

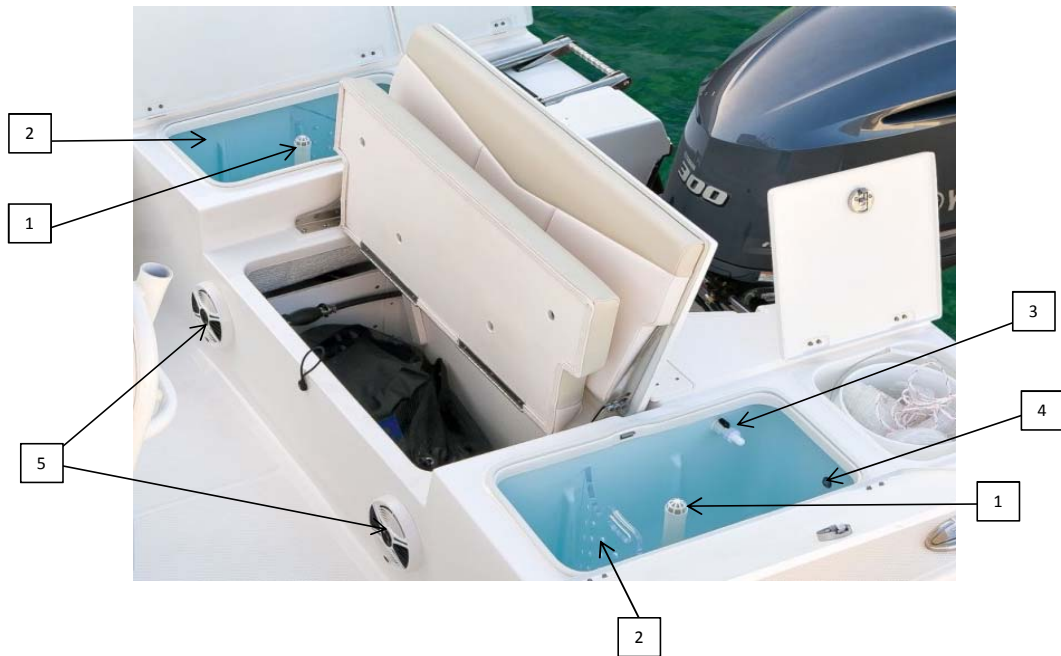
SOUNDS SYSTEM- AM/FM RADIO W/USB/MP3

NOT PICTURED	13.02754	HARNES-STERO HRNS (JENSON W/ MEM)	1	EA
NOT PICTURED	44.00145	STEREO - JENSEN MARINE 3" BLUETOOTH	1	EA
NOT PICTURED	44.00132	CABLE - 3.5MM AUX AUDIO IN/USB 2.0 COMBO PORT 1.5M	1	EA
NOT PICTURED	44-00010	ANTENNA	1	EA

PARTS IDENTIFICATION GUIDE

[GO BACK](#)

246 CAYMAN 2017 YEAR MODEL COCKPIT



PARTS IDENTIFICATION GUIDE

GO BACK

246 CAYMAN 2017 YEAR MODEL COCKPIT

ITEM NO	PART NO	DESCRIPTION	QTY	UOM
1	34.00204*	DRAIN TUBE-18IN LARGE OVERFLOW THREADED	2	EA
2	38.001162	TUB-AFT BAITWELL (30GAL) R226	2	EA
3	AHVWD-92*	AERATOR HEAD/WASH DOWN-WHITE	1	EA
4	25.00118*	LIGHT - MINI LIGHT BLUE W/BULLET CONNECTOR	1	EA
5	44.00055	SPEAKER-COVER ROBALO SHOCKWAVE 6.5" (Option: Sound System)	2	EA
5a	44.00052	COAXIAL PANASONIC SPEAKERS (Option: Sound System)	2	EA
6	06.00117	LEANING POST W/ROD HOLDERS-ANODIZ	1	EA
6a	04.9140033	LEANING POST BACKER	1	EA
6b	06.00133	LEANING POST W/ROD HOLDERS WHITE (P.C.)(Option)	1	EA
6c	06.00336	LEANING POST W/ROD HOLDERS BLACK (P.C.)(Option)	1	EA
7	62.00004	COOLER-70QT MARINE PLUS WHITE	1	EA
8	4.9340185	RETAINER - 70 QT COOLER	1	EA
9	4.9340186	RETAINER - 70 QT COOLER	1	EA

Parts not pictured which are associated with the Cockpit

NOT PICTURED	44.00052	COAXIAL PANASONIC SPEAKERS (Option: Sound System)	2	EA
NOT PICTURED	44.00055	SPEAKER-COVER ROBALO SHOCKWAVE 6.5" (Option: Sound System)	2	EA
NOT PICTURED	04.9999076X	ROD HOLDER ASSEMBLY	2	EA
NOT PICTURED	04.00235	BAITWELL DIVIDER R226	2	EA
NOT PICTURED	AHVWD-92	AERATOR HEAD/WASH DOWN-WHITE	1	EA
NOT PICTURED	25.00118	LIGHT - MINI LIGHT BLUE W/BULLET CONNECTOR	1	EA
NOT PICTURED	24.00069	PLUNGER - SNAP IN 1-1/4"	2	EA
NOT PICTURED	54.00036	PAD EYE - 304SS	4	EA

LEANING POST COVER W/ ROD HOLDERS

NOT PICTURED	10.03458	LEANING POST COVER-BLACK	1	EA
NOT PICTURED	10.03459	LEANING POST COVER-BLUE	1	EA
NOT PICTURED	10.04259	LEANING POST COVER - OCEAN BLUE	1	EA

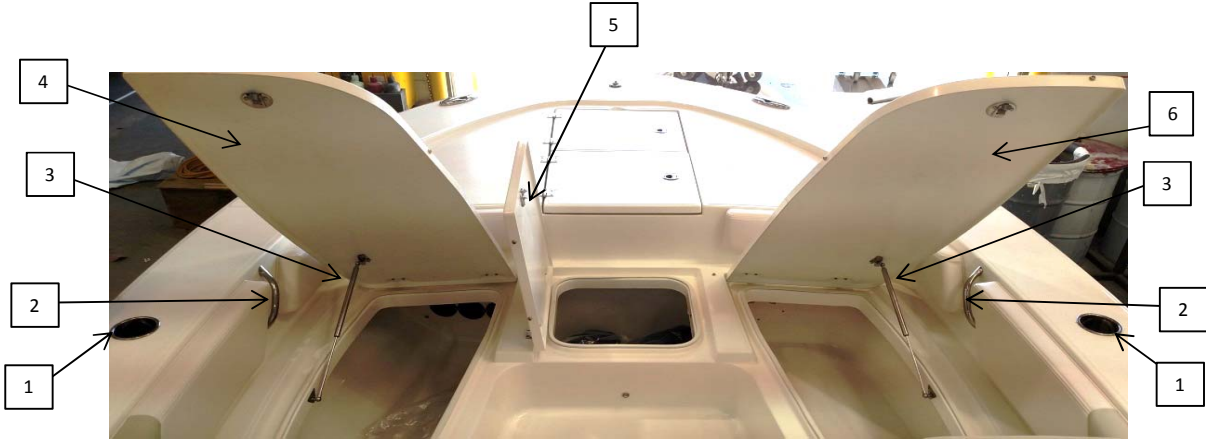
LEANING POST W/DUAL FLIP UP BOLSTER

NOT PICTURED	06.00192	FRAME-LEANING POST ANODIZED W/DUAL FLIP UP BOLSTER	1	EA
NOT PICTURED	06.00193	LEANING POST POWDER COATED W/DUAL FLIP UP BOLSTER WHITE	1	EA
NOT PICTURED	06.00336	LEANING POST POWDER COATED W/DUAL FLIP UP BOLSTER BLACK	1	EA
NOT PICTURED	10.03794	LEANING POST COVER W/ ROD HOLDERS BLACK	1	EA
NOT PICTURED	10.03795	LEANING POST COVER W/ ROD HOLDERS BLUE	1	EA
NOT PICTURED	10.04260	LEANING POST COVER W/ROD HOLDERS - OCEAN BLUE	1	EA

PARTS IDENTIFICATION GUIDE

GO BACK

246 CAYMAN
2017 YEAR MODEL
COCKPIT



PARTS IDENTIFICATION GUIDE

GO BACK

246 CAYMAN 2017 YEAR MODEL COCKPIT

ITEM NO	PART NO	DESCRIPTION	QTY	UOM
1	12.00012	CUP HOLDER - W/ 3/8" HOSE BARB & W/O SPRINGS	2	EA
2	36-00001	RAIL- 7.375" STUD GRAB RAIL FLARED ENDS SS 304	2	EA
3	40.00035	SHOCK-50LB 20IN EXT 316SS EFSS-10H ENDS	2	EA
3a	40.00048	BRACKET-40SSP3-1/3 HOLES-BALL PEM	2	EA
3b	42.00046	BRACKET-BR-20-32 316 SS ANGLE BRACKET	2	EA
4	38.01006	LID-PORT BOW STORAGE	1	EA
4a	24.00047	LATCH-SLAM THIN PLATE LOCK	1	EA
4b	42.00162	HINGE-BARRELL DOWN FRICTION 2 3/8" X 2" GEN2	2	EA
5a	38.01232	LID - ANCHOR	3	EA
5b	24.00070*	LATCH-GRAND SLAM 1-3/8"	1	EA
5c	42.00162	HINGE-BARRELL DOWN FRICTION 2 3/8" X 2" GEN2	2	EA
6	38.01005	LID-STBD FWD BOW STORAGE	1	EA
6a	24.00047	LATCH-SLAM THIN PLATE LOCK	1	EA
6b	42.00162	HINGE-BARRELL DOWN FRICTION 2 3/8" X 2" GEN2	2	EA
7	0974000	PORT REMOVABLE BOW CUSHION BACKREST (Optional)	1	EA
8	45.00085	LEG - FWD BACKREST SUPPORT -PORT	1	EA
9	0959000	PORT BOW CUSHION (Optional)	1	EA
10	0961000	CENTER BOW CUSHION (Optional)	1	EA
11	0960000	STARBOARD BOW CUSHION (Optional)	1	EA
12	45.00086	LEG - FWD BACKREST SUPPORT -STBD	1	EA
13	0975000	STBD REMOVABLE BOW CUSHION BACKREST (Optional)	1	EA

Parts not pictured which are associated with the Cockpit

NOT PICTURED	04.9999076	ROD HOLDER ASSEMBLY	2	EA
NOT PICTURED	29-00006	ROD TUBE- 3"X24"- BLACK PLASTIC	7	EA
NOT PICTURED	60.00153	MAT - GRAY STORAGE	15	SF
NOT PICTURED	60.00196	MAT-PORT CONSOLE STORAGE WHITE	1	EA
NOT PICTURED	60.00197	MAT-STBD CONSOLE STORAGE WHITE	1	EA
NOT PICTURED	29-00004	ROD TUBE- 3 INCH 36 INCHES - BLK PLASTIC	3	EA
NOT PICTURED	28.00198	TRIM RING - FISHING ROD STORAGE BIG	4	EA
NOT PICTURED	28.00197	TRIM RING - FISHING ROD STORAGE SMALL	4	EA
NOT PICTURED	DP60-38	DECKPLATE-6 INCH SCREWOUT WHITE	3	EA
NOT PICTURED	FPH-2	SMALL HOOK	4	EA
NOT PICTURED	38.01011	CAP-GUNWALE R226	2	EA
NOT PICTURED	06.00213	ROD HOLDERS - POWDER COATED ALUMINUM	2	EA

REMOVABLE BOW SEATING BACKREST

NOT PICTURED	45.00085	LEG-FWD BACKREST SUPPORT-PORT	1	EA
NOT PICTURED	45.00086	LEG-FWD BACKREST SUPPORT-STBD	1	EA
NOT PICTURED	45.00050	BASE STAINLESS STEEL SIDE MOUNT TABLE	1	EA
NOT PICTURED	45.00066	BASE STAINLESS STEEL TABLE-RH PULL PIN	1	EA
NOT PICTURED	12.00003	CUP HOLDER-1014 316L CUP HOLDER W/2 SPRINGS	2	EA

BOW FISHING CHAIR/DEDICATED STORAGE

NOT PICTURED	06.00199	EXTENSION 30" ADJ BICYCLE THREADED	1	EA
NOT PICTURED	31.00584	SEAT MOUNT-SS	1	EA
NOT PICTURED	CHAP3/16BUNG	BUNGEE CORD 3/16 IN BLACK	1	FT
NOT PICTURED	41.00118	SEAT BASE - 7X7 BRUSHED SS BASE W/ BRONZE BUSHING	1	EA

COCKPIT TABLE WITH DEDICATED STORAGE

NOT PICTURED	38.01069	COCKPIT TABLE FILLER	1	EA
NOT PICTURED	45.00050	BASE-STAINLESS STEEL SIDE MOUNT TABLE	1	EA
NOT PICTURED	45.00083	TABLE-SIDE MOUNT TABLE LEG-DOWN POSITION	1	EA
NOT PICTURED	45.00084	TABLE-SIDE MOUNT TABLE LEG-UP POSITION	1	EA
NOT PICTURED	75354	MOUNT-ALUMINUM TABLE	1	EA
NOT PICTURED	04.00262	RETAINER CLIP	5	EA
NOT PICTURED	4.9340183	HOLDER - COCKPIT TABLE	2	EA
NOT PICTURED	4.9999104	COCKPIT TABLE HOLDER ASSEMBLY	1	EA

PARTS IDENTIFICATION GUIDE

[GO BACK](#)

246 CAYMAN 2017 YEAR MODEL COCKPIT



PARTS IDENTIFICATION GUIDE

GO BACK

246 CAYMAN 2017 YEAR MODEL COCKPIT

ITEM NO	PART NO	DESCRIPTION	QTY	UOM
1	38.00734	CONSOLE DOOR	1	EA
1a	42.00229	HINGE - 2.88" X 3.25" ROUND	3	EA
1b	04.00259	SHIM - DOOR	2	EA
1c	38.01345	CLOSEOUT - CONSOLE	1	EA
1d	06.00194	CAP - RAIN	1	EA
2	36.00087	GRAB HANDLE-SOFT GRIP TAN W/SS BOLTS	1	EA
3	36-00001	RAIL- 7.375" STUD GRAB RAIL FLARED ENDS SS 304	1	EA
4	42.00133	DOOR BRACE-SS	1	EA
5	7422S	FLUSH ALUM. LATCH W/SEAL	1	EA
6	596406	964 MSD SANI POTTIE PLATINUM (Option: Porta Pottie)	1	EA
6a	04.9120135	POTTIE MOUNTING BOARD (Option: Porta Pottie)	1	EA

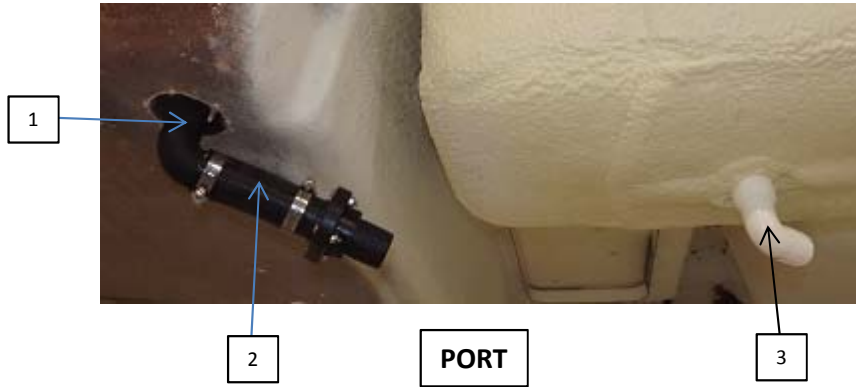
Parts not pictured which are associated with the Cockpit

NOT PICTURED	DP40-38	1998 4IN DECK PLATE	1	EA
NOT PICTURED	INT-STR6VW07X	6" VINYL STRAP WITHOUT SNAP WHITE	1	EA
NOT PICTURED	27.00118	BUMPER-BLACK SJ5009	5	EA
NOT PICTURED	CHAP3/16BUNG	BUNGEECORD 3/16 IN BLACK	6	FT
NOT PICTURED	36-00001	RAIL-7.375" STUD RAIL FLARED ENDS SS 30	1	EA
NOT PICTURED	54.00079	SHOCK CORD CLIP 6" BLK ASSY	1	EA
NOT PICTURED	34.00212	DRAIN-3/4IN MINI 30 SS	6	EA
NOT PICTURED	34.00247	DRAIN-1 1/2" W/NYLON BODY, SS COVER	2	EA
NOT PICTURED	34.00202	FLANGE-2 1/2IN OVAL WHOLE-BLACK	4	EA
NOT PICTURED	25.00118	LIGHT - MINI LIGHT BLUE W/BULLET CONNECTOR	6	EA
NOT PICTURED	25.00067	LIGHT-1.5 AMP INCANDESCENT SINGLE	1	EA
NOT PICTURED	42.00113	HINGE-3" X 11" STAINLESS .60	2	EA
NOT PICTURED	24.00093	STRIKE - POLY WRICO REPLACEMENT	1	EA
NOT PICTURED	06.00241	FRAME - CAYMAN CONSOLE STEP	1	EA
NOT PICTURED	04.9582049	CONSOLE STEP TREAD	1	EA
NOT PICTURED	34.00278	DRAIN - 1 1/4" VINYL PUSH PLUG BLACK	1	EA
NOT PICTURED	34.00243	FITTING - 3/8IN PUSH IN DRAIN - WHITE	2	EA
NOT PICTURED	42.00130	HINGES - FOLDING LASER CUT 12GA 304L SS ELECTRO PO	1	PR

PARTS IDENTIFICATION GUIDE

[GO BACK](#)

246 CAYMAN 2017 YEAR MODEL DECK UNDERSIDE



PARTS IDENTIFICATION GUIDE

[GO BACK](#)

246 CAYMAN 2017 YEAR MODEL DECK UNDERSIDE

ITEM NO.	PART NO.	DESCRIPTION	QTY	UOM
1	34.00212	DRAIN-3/4IN MINI 304SS	2	EA
2	149-1120-R	HOSE-1 1/2 PVC LIVEWELL	2 @ 0.33	FT
3	34.00205	THRU HULL-1 1/2IN 90DEG BARBED WHITE TAPPED	2	EA
4	141-1120	HOSE-1 1/2 IN MUTLIFLEX-BLACK	3	FT
5	141-1120	HOSE-1 1/2 IN MUTLIFLEX-BLACK	1.5	FT
6	3980-1209	1 1/2 X 1 1/2 X 1 1/4 TEE	1	EA
7	141-1140	HOSE-1 1/4 IN MULTIFLEX	0.33	FT

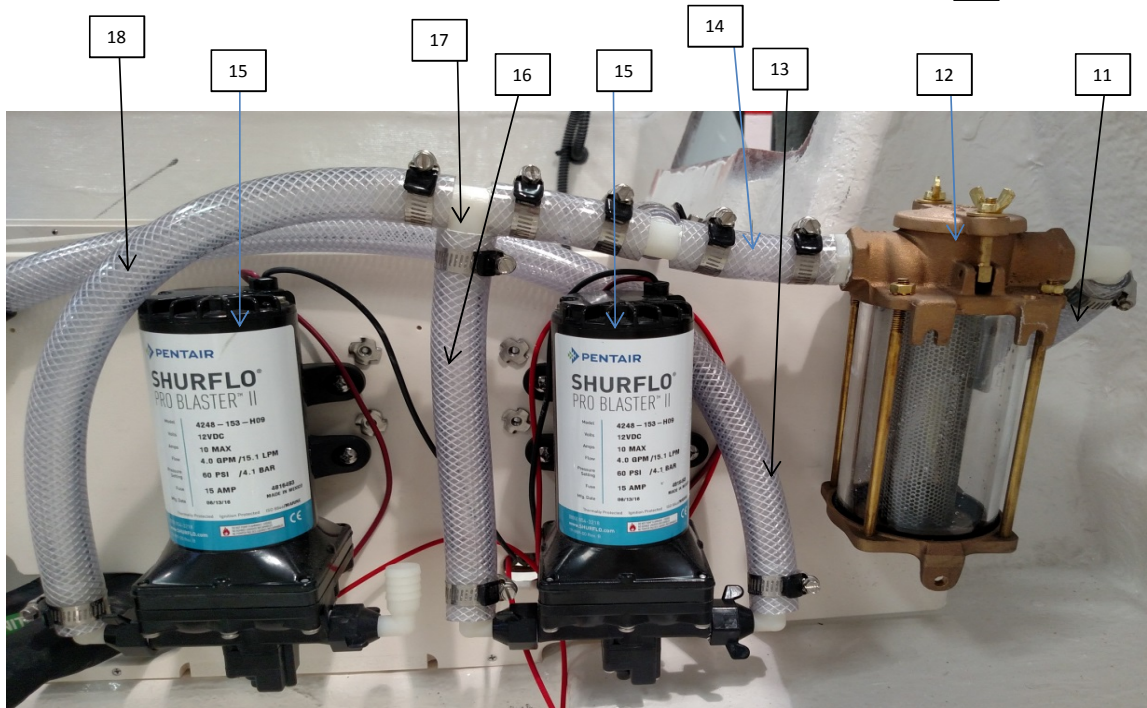
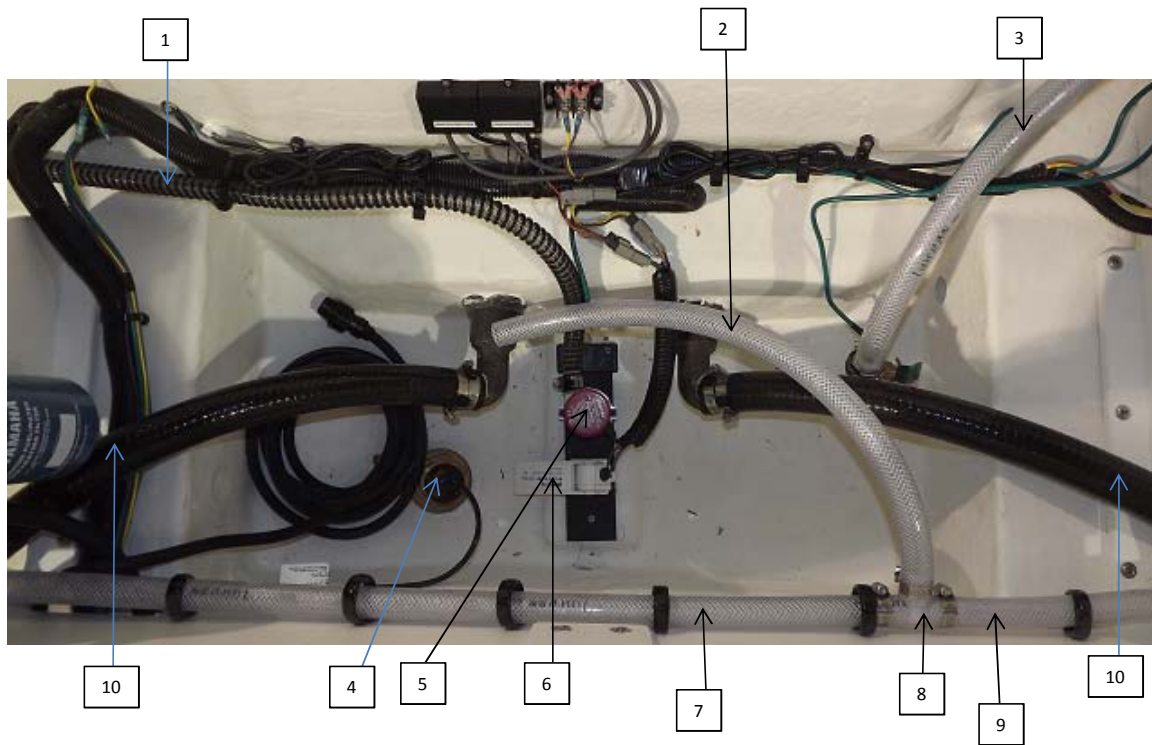
Parts not pictured which are associated with the Deck Underside

NOT PICTURED	150-0380	HOSE-3/8IN CLEAR PVC TUBING	4	FT
NOT PICTURED	474A	UNIVERSAL BACKING PLATE	3	EA

PARTS IDENTIFICATION GUIDE

[GO BACK](#)

246 CAYMAN 2017 YEAR MODEL ENGINE BILGE



PARTS IDENTIFICATION GUIDE

GO BACK

246 CAYMAN 2017 YEAR MODEL ENGINE BILGE

ITEM NO	PART NO	DESCRIPTION	QTY	UOM
1	141-0340	HOSE-3/4IN MULTIFLEX	6.5	FT
2	59.00128	HOSE-3/4" WATER	2	FT
3	59.00128	HOSE-3/4" WATER	2	FT
4	15.00241*	TRANSUDCER-AIRMAR B619 THRU HULL 20D, DEPT (Option:GPS)	1	EA
4a	15.00324	TRANSDUCER - GARMIN B175M 20DEG 1KW (Option: Airmar)	1	EA
5	25D2M	BILGE PUMP-500 PH W/ DEUTSCH CONNECTORS	1	EA
5a	4-1144	BILGE PUMP BRACKET	1	EA
5b	3980-1285	BRACKET-BLACK BILGE PUMP BRACKET	1	EA
6	35ADM	FLOAT SWITCH-RULE-A-MATIC	1	EA
7	59.00128	HOSE-3/4" WATER	4.5	FT
8	T34	3/4 X 3/4 X 3/4 NYLON TEE	1	EA
9	59.00128	HOSE-3/4" WATER	1	FT
10	149-1120-R	HOSE-1 1/2 PVC LIVEWELL	2 @ 2	FT
11	59.00128	HOSE-3/4" WATER	3	FT
12	493-5	3/4 WATER STRAINER (1990)	1	EA
12a	42.00188	BRACKET-STRAINER ALUM R226	1	EA
13	59.00128	HOSE-3/4" WATER	1.5	FT
14	59.00128	HOSE-3/4" WATER	0.66	FT
15	35.00016*	PUMP-WASHDOWN W/DEUTCH CONNECTOR WITH NO FITTING	2	EA
16	59.00128	HOSE-3/4" WATER	0.66	FT
17	T34	3/4 X 3/4 X 3/4 NYLON TEE	1	EA
18	59.00128	HOSE-3/4" WATER	2	FT

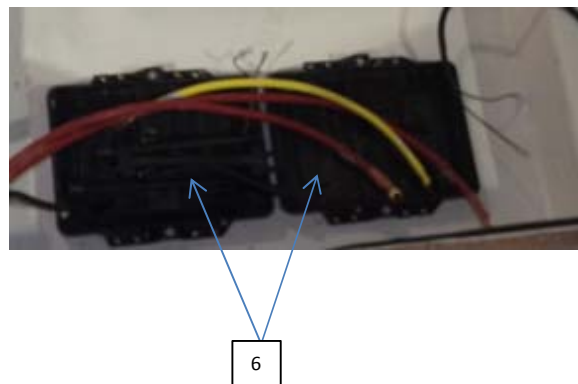
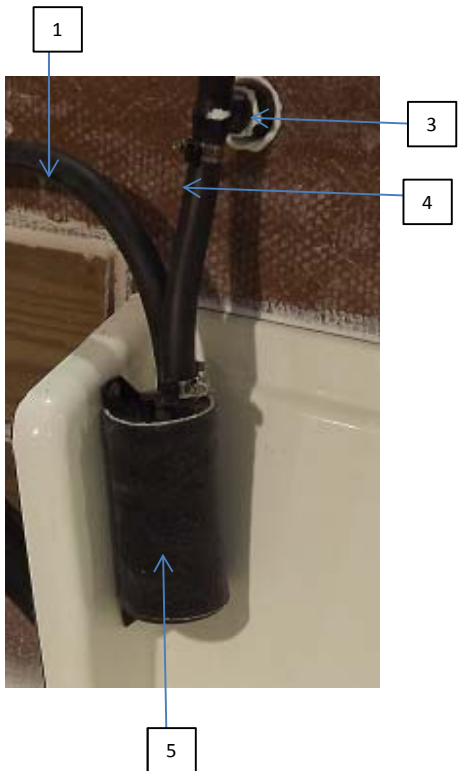
Parts not pictured which are associated with the Engine / Bilge

NOT PICTURED	141-0340	HOSE-3/4IN MULTIFLEX	8	FT
NOT PICTURED	59.00114	HOSE-EC15201BX BLUE SUPERCOIL-15FT	1	EA
NOT PICTURED	104-1120	HOSE - 1 1/2 IN SANITATION	2.5	FT
NOT PICTURED	104-1120	HOSE - 1 1/2 IN SANITATION	1	FT
NOT PICTURED	59.00128	HOSE-3/4" WATER	20	FT
NOT PICTURED	62445	BALL VLV, 3/4, W/GND SCREW 10EA	1	EA
NOT PICTURED	16.01771	PRIMER BULB ASSY-A1 RATED (Option: Yamaha Engines)	20	FT
NOT PICTURED	29055-00	1 1/4 INCH SNAP TITE DRN PLUG	1	EA
NOT PICTURED	EL1234P-R	1/2 MPT X 3/4 HBB ELBOW	1	EA
NOT PICTURED	DBN32	1/4 X 3/8 BRASS BARB HOSE	1	EA
NOT PICTURED	EL34P	3/4 MPT X 3/4 HBB 90 DEGREE NYLON	2	EA
NOT PICTURED	T38P	3/8 HB X 3/8 HB X 3/8 HB TEE	1	EA
NOT PICTURED	T34	3/4 X 3/4 X 3/4 NYLON TEE	3	EA
NOT PICTURED	RF-1	RIGGING FLANGE	1	EA
NOT PICTURED	59.00141	HOSE - 1" WATER	25	FT
NOT PICTURED	34.00029	FITTING-1/4 MPT X 3/8 FLARE MALE 90 ELL	1	EA
NOT PICTURED	34.00249	FITTING 3/4" BARB ELBOW	4	EA
NOT PICTURED	27.00025	MOUNT - CABLE-TIE ANCHOR MOUNT-TEXTURED BASE	4	EA
NOT PICTURED	34.00253	FITTING - 3/4" BARB x 1/2" NPT-F (HEX/WING NUT COM	1	EA
NOT PICTURED	DBN66	3/4MPT 3/4HBB BRS CPL	1	EA
NOT PICTURED	1134	Y FITTING- 1 1/2 X 1 1/2 X 1 1/2 IN Y FITTING	2	EA

PARTS IDENTIFICATION GUIDE

[GO BACK](#)

246 CAYMAN 2017 YEAR MODEL ENGINE BILGE



PARTS IDENTIFICATION GUIDE

GO BACK

246 CAYMAN

2017 YEAR MODEL

ENGINE BILGE

ITEM NO	PART NO	DESCRIPTION	QTY	UOM
1	360-0580	HOSE- 5/8 FUEL LINE TYPE A2	8	FT
2	46.00229	75 GAL ALUMINIUM FUEL TANK	1	EA
2a	76209472	RUBBER-FUEL TANK RUBBER	43	FT
3	71.00010	STAINLESS P-TRAP 90 DEG W/FLUSH VENT	1	EA
4	360-0580	HOSE- 5/8 FUEL LINE TYPE A2	1	FT
5	71.00044	CANISTER - 70G/110G CARBON W/HEAT SHIELD	1	EA
6	29.00024	TRAY - 27 SERIES BATTERY TRAY W/POST THUMB SCREW	2	EA
6a	29.00024	TRAY - 27 SERIES BATTERY TRAY W/POST THUMB SCREW	1	EA
6b	9067-1	BATTERY BOX POWER GUARD 27 BLACK (Option: CE Package)	1	EA
6c	458N0V14	DUAL BATT. BOOT BLACK	1	EA
6d	600N7V02	DUAL POST BATT. COVER RED	1	EA
6e	600N7V14	DUAL POST BATTERY BLACK	1	EA
6f	13.02657	SGL BATTERY CABLE KIT R226	1	EA
6g	228N3V02	SINGLE BATT. BOOT RED	1	EA

Parts not pictures which are associated with the Engine / Bilge

NOT PICTURED	360-0380	HOSE-3/ IN FUEL LINE TYPE A1	4	FT
NOT PICTURED	59.00026	HOSE-3/8" X 78" FUEL FEED HOSE FLAIR/FLAIR	1	EA
NOT PICTURED	59.00123	HOSE-5/16" FUEL "TYPE A"	2.5	FT
NOT PICTURED	34.00243	FITTING-3/8IN PUSH IN DRAIN-WHITE	1	EA
NOT PICTURED	13.03440	HARNESS - HELM DISTRIBUTION	1	EA
NOT PICTURED	13.03419	HARNESS - R246 AFT DISTRIBUTION	1	EA
NOT PICTURED	13.03393	HARNESS - TROLLING MOTOR R246	1	EA
NOT PICTURED	104-1120	HOSE - 1 1/2 IN SANITATION	3.5	FT
NOT PICTURED	104-1120	HOSE - 1 1/2 IN SANITATION	5.5	FT
NOT PICTURED	104-1120	HOSE - 1 1/2 IN SANITATION	4	FT
NOT PICTURED	104-1120	HOSE - 1 1/2 IN SANITATION	1	FT
NOT PICTURED	104-1120	HOSE - 1 1/2 IN SANITATION	7	FT
NOT PICTURED	100-1000	HOSE - 1 IN. HARDWALL	4	FT
NOT PICTURED	150-0380	HOSE - 3/8 IN. CLEAR PVC TUBING	2	FT
NOT PICTURED	360-0580	HOSE - 5/8 FUEL LINE TYPE A2	8	FT

DUAL BATTERY SETUP WITH CROSSOVER SWITCH OPTIONS

NOT PICTURED	13.02658	DUAL BATTERY CABLE KIT R226	1	EA
NOT PICTURED	13.02581	DUAL BATT BOOT BLACK	1	EA
NOT PICTURED	228N3V14	SINGLE BATT. BOOT BLACK	1	EA
NOT PICTURED	458N0V02	DUAL BATT. BOOT RED	2	EA

DUAL BATTERY CHARGER OPTIONS

NOT PICTURED	51203B	UNIVERSAL AC PLUG HOLDER WHITE	1	EA
NOT PICTURED	15.00210	ADAPTER - AC POWER PLUG (Option: CE Package)	1	EA
NOT PICTURED	15.00321	BATTERY CHARGER - PROSPORT 20AMP W/2 BANK PFC UNIT	1	EA

HYDRAULIC JACK PLATE

NOT PICTURED	41.00113	PLATE - "ATLAS" 10" SETBACK HYDRAULI	1	EA
NOT PICTURED	41.00090	MOUNT-ENG MOUNT BOLT KIT FOR JACK PLATE	1	EA
NOT PICTURED	13.02764	SENSOR-YAMAHA WATER PRESSURE	1	EA
NOT PICTURED	2340-840	MIDGET VENT 1 1/2X 1 3/4	1	EA
NOT PICTURED	16.01936	SENSOR - CL WATER PRESSURE	1	EA

PARTS IDENTIFICATION GUIDE

GO BACK

246 CAYMAN 2017 YEAR MODEL ENGINE RIGGING

MERCURY ENGINES

PART NO.	DESCRIPTION	QTY	UOM
16.00623	HARNESS - DATA	1	EA
59.00030	HOSE - 3/8" X 102" FUEL FEED HOSE FLAIR/FLAIR	1	EA
13.02551	CABLE - BATTERY 84" 1/4R TO 3/8R 4 GA RED	1	EA
13.02552	CABLE - BATTERY 72" 1/4R TO 3/8R 4 GA RED	1	EA
13.02553	CABLE - BATTERY 36" 1/4R TO 3/8R 4 GA RED	1	EA
16.01288	FITTING - 3IN BULKHEAD	1	EA

MERCURY ENGINES DTS

PART NO.	DESCRIPTION	QTY	UOM
16.00301	DATA HARNESS - 14PIN 25FT	1	EA
13.01839	DIAGNOSTIC PORT KIT - MERCURY DTS	1	EA
13.01995	HARNESS - 5FT FUSE	1	EA
879969T6	HARNESS - DIAGNOSTIC PORT EXTENSION - MERCURY MIL	1	EA
13.01937	STERN HARNESS - DTS CLEAN POWER 14FT	1	EA
16.01767	YELL RIGGING LEAD	1	EA
HO8322	HOSE KIT	1	EA
48033	3/8 ALUMINUM PLUG	1	EA
16.00170	HARNESS - HUB - MULTI-HUB ASSY (EXTENSION W/RESIST	1	EA

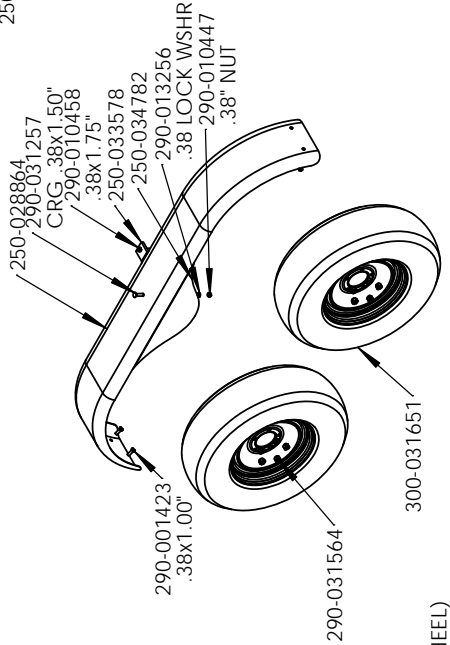
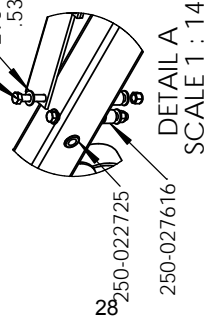
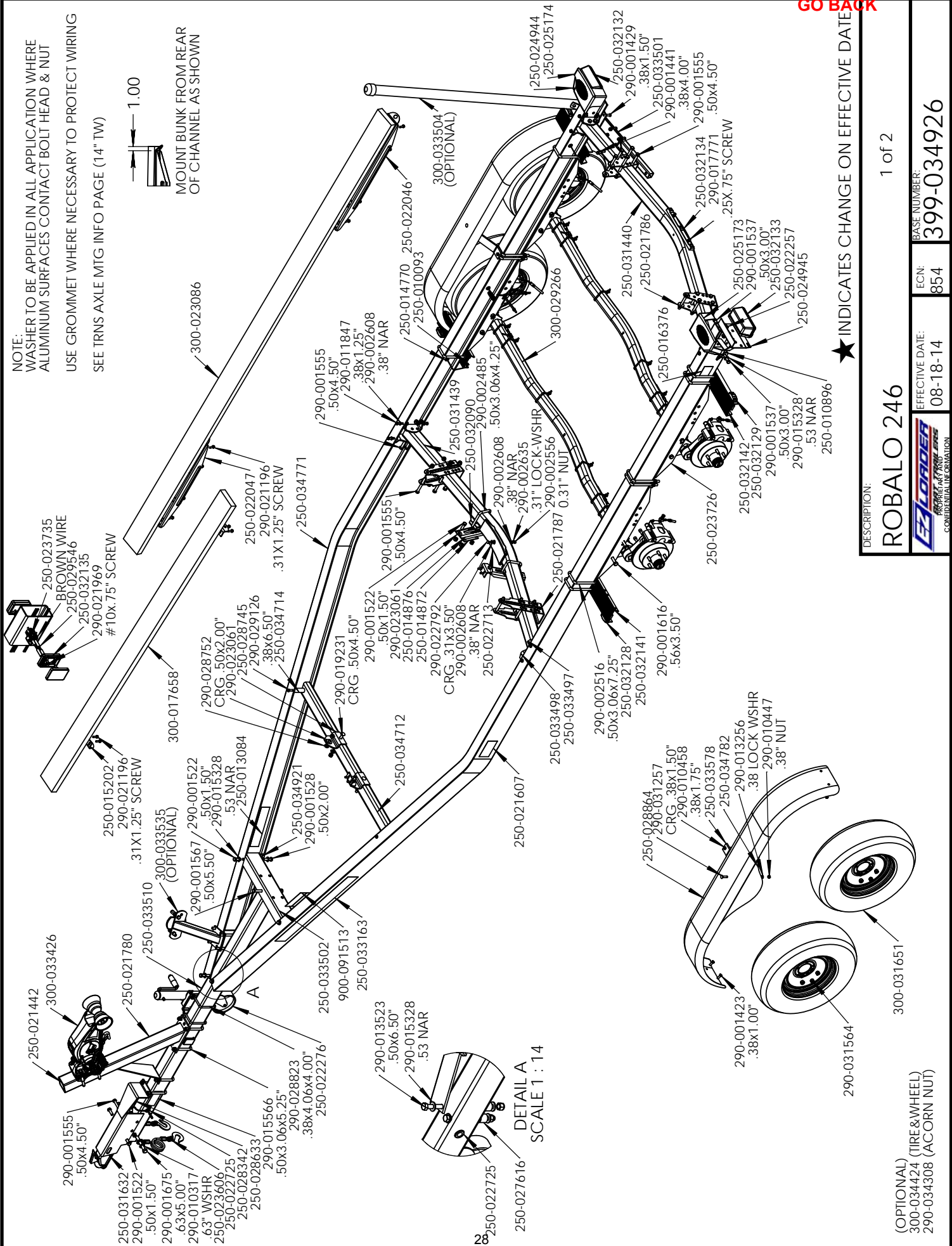
YAMAHA ENGINES CL

PART NO.	DESCRIPTION	QTY	UOM
16.01771	PRIMER BULB ASSY - A1 RATED	1	EA
360-0380	HOSE - 3/8 IN. FUEL LINE TYPE A1	1.25	FT
360-0380	HOSE - 3/8 IN. FUEL LINE TYPE A1	4.16	FT
MAR-SEPAR-AT-OR	FILTER - SEPARATOR - FUEL/WATER ALUM 10 MICRON	1	EA
16.00105	HARNESS - MAIN OUTBOARD HARNESS, 26FT, 14 PIN	1	EA
16.00108	HARNESS - MAIN BUS WIRE, 1FT	1	EA
6Y8-82521-11-00	HARNESS - PIGTAIL BUS WIRE, 2FT	2	EA
13.01681	FACEPLATE - INSTRUMENT W/CL PLUS	1	EA
688-8258A-50-00	HARNESS - 16 FT 10 PIN MAIN STATION	1	EA

YAMAHA ENGINES MECHANICAL

PART NO.	DESCRIPTION	QTY	UOM
16.00359	ENGINE - 4 PIN CAP ASSY	3	EA
360-0380	HOSE - 3/8 IN. FUEL LINE TYPE A1	1.25	FT
360-0380	HOSE - 3/8 IN. FUEL LINE TYPE A1	4.16	FT
MAR-SEPAR-AT-OR	FILTER - SEPARATOR - FUEL/WATER ALUM 10 MICRON	1	EA
6K1-8258A-40-00	HARNESS - 26 FT WIRING 10 PIN MAIN STATION	1	EA
6Y8-82521-11-00	HARNESS - PIGTAIL BUS WIRE, 2FT	2	EA
6Y8-82553-21-00	HARNESS - 20FT MAIN BUS WIRE	1	EA
71.00008	VALVE - IN LINE INLET CONTROL	2	EA

NOTE:
 WASHER TO BE APPLIED IN ALL APPLICATION WHERE
 ALUMINUM SURFACES CONTACT BOLT HEAD & NUT
 USE GROMMET WHERE NECESSARY TO PROTECT WIRING
 SEE TRNS AXLE MTG INFO PAGE (14" TW)



★ INDICATES CHANGE ON EFFECTIVE DATE

DESCRIPTION:

ROBALO 246

1 of 2



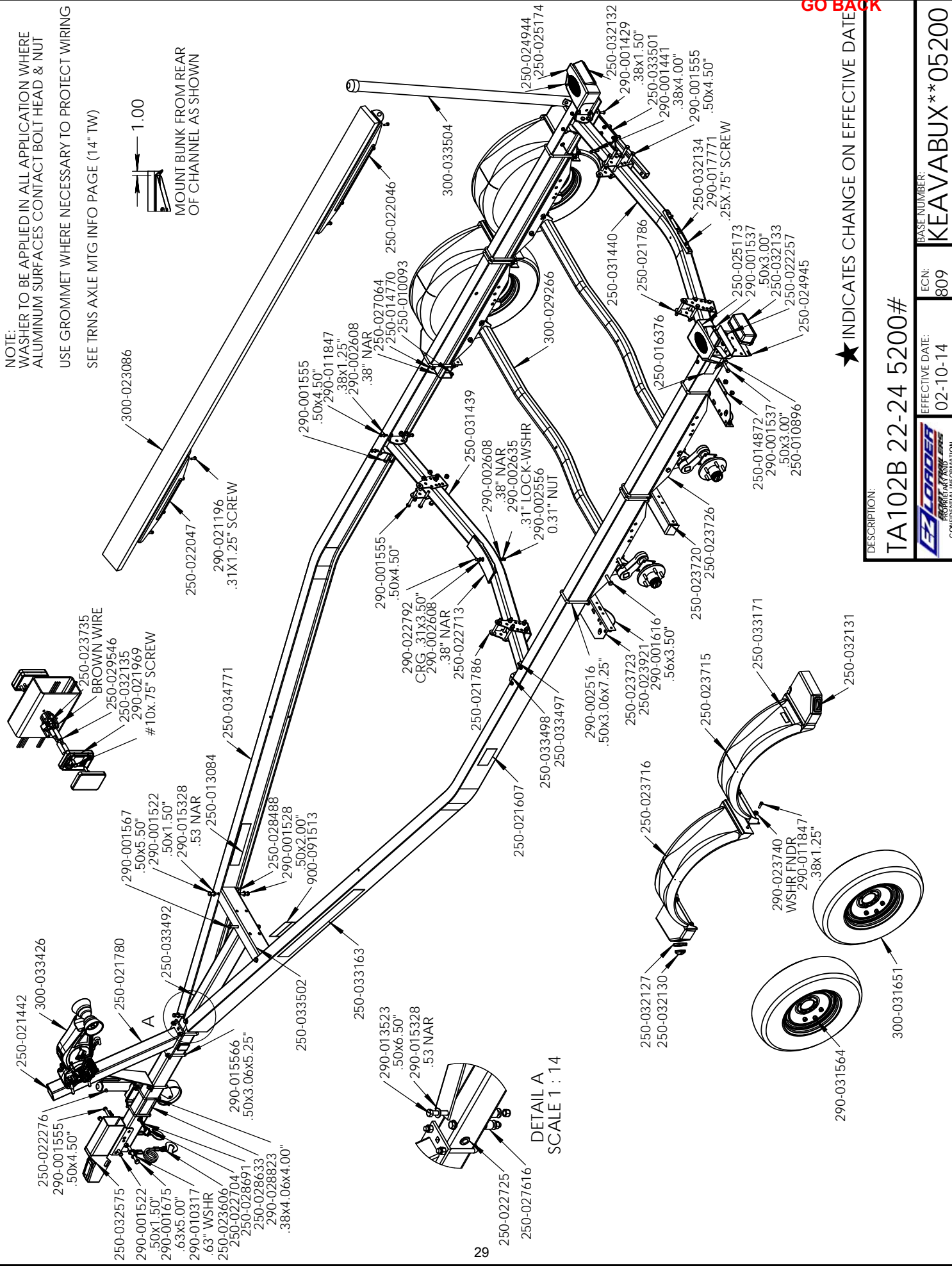
EFFECTIVE DATE:
08-18-14

ECN:
854

BASE NUMBER:
399-034926

(OPTIONAL)
 300-034424 (TIRE & WHEEL)
 290-034308 (ACORN NUT)

NOTE:
 WASHER TO BE APPLIED IN ALL APPLICATION WHERE
 ALUMINUM SURFACES CONTACT BOLT HEAD & NUT
 USE GROMMET WHERE NECESSARY TO PROTECT WIRING
 SEE TRNS AXLE MTG INFO PAGE (14" TW)



28
 250-022725
 250-027616
 DETAIL A
 SCALE 1 : 14

GO BACK

★ INDICATES CHANGE ON EFFECTIVE DATE

DESCRIPTION:

TA102B 22-24 5200#

ECN:	809	BASE NUMBER:	KEAVABUX **05200
EFFECTIVE DATE:	02-10-14		



PARTS IDENTIFICATION GUIDE

[GO BACK](#)

246 CAYMAN

2017 YEAR MODEL

TRAILER

PART NO	DESCRIPTION	QTY	UOM
53.00072	TRAILER-R246 5200LB GALVANIZED W/ LOAD GUIDES	1	EA
14.01256	LOGO-ROBALO 3X24	2	EA
53.00071	TRAILER-R246 5200LB ALUM WHEELS (Option: Upgrade)	1	EA
53.00086	SPARE TIRE CARRIER - GALVANIZED (Option: Aluminum Trailer Spare Tire Tandem)	1	EA
53.00084	SPARE TIRE - 14-205/75/14 GALVANIZED (Option: Aluminum Trailer Spare Tire Tandem)	1	EA
53.00080	SPARE TIRE - 14-205/75/14 5-STAR AL (Option: Upgrase Spare Tire Tandem)	1	EA

PARTS IDENTIFICATION GUIDE

GO BACK

246 CAYMAN 2017 YEAR MODEL PARTS REVISIONS

PAGE NO	ITEM NO	PART NO	DESCRIPTION	QTY	UOM	DATE CHANGED
4	3e	34.00305	DRAIN - ADJUSTABLE LIVWELL W/PLUG	2	EA	9/15/2016
8	1	V21-9659CRA14D	14' CREAM RIGID PVC RUBRAIL	1	EA	4/4/2017
8	1	V21-9659CRA18D	18' CREAM RIGID PVC RUBRAIL	3	EA	4/4/2017
8	7	47.00063	THRU HULL - 1 1/2" W/BARB 316SS/PLA	2	EA	9/15/2016
8	NP	16.02109	TROLLING MOTOR - RT 112/ST W/IPILOT 72" SHAFT 36VO	1	EA	1/12/2016
10	6	34.00301	DRAIN - 1-1/2" MOTORWELL SHORT	1	EA	9/12/2016
11	NP	35.00020	PUMP - AQUA KING II WATER PUMP	1	EA	9/15/2016
11	NP	34.00249	FITTING - 3/4" BARB ELBOW	2	EA	9/15/2016
11	NP	34.00266	STRAINER-3/4" RAW WATER STRNR W/MNT BRACKET	1	EA	9/15/2016
11	NP	ELE4P	3/4 MPT X 3/4 HBB 90 DEGREE NYLON	1	EA	9/15/2016
11	NP	34.00307	FITTING - 1" BRASS TEE	1	EA	9/15/2016
11	NP	A34	3/4 MPT X 3/4 HBB NYL CPL	1	EA	9/15/2016
11	NP	34.00306	1" MPT NIPPLE	1	EA	9/15/2016
11	NP	34.00316	1" MPT X 3/4" HBB	1	EA	9/15/2016
11	NP	25.00151	LIGHT - 14" NAVIGATION WHITE ALL AROUND W/BULLET	1	EA	5/17/2017
11	NP	27.00205	GASKET - FOLD DOWN 30" NAV LIGHT	1	EA	5/17/2017
13	10f	43.00063	STEERING - 18FT POWER STEERING HOSE KIT	1	EA	2/13/2017
13	10f	43.00105	STEERING - 16FT STEERING HOSE KIT	1	EA	2/13/2017
13	10h	43.00127	STEERING - 18FT POWER STEERING HOSE KIT	1	EA	3/16/2017
13	10i	43.00065	STEERING - 3FT POWER STEERING HOSE KIT	1	EA	4/10/2017
13	14	12.00003	CUP HOLDER - 1014 316L CUP HOLDER W/2 SPRINGS	2	EA	9/15/2016
13	14	12.00015	DRAIN FITTING - 3/8" BARB FOR CUP HOLDER	2	EA	9/15/2016
13	15	13.03559	PANEL - STBD SWITCH	1	EA	9/15/2016
14	NP	48.300023	SWITCH - TRIM TAB W/ INDICATOR ALL IN ONE	1	EA	10/12/2016
14	NP	15.00398	GARMIN - GPSMAP 722XS - INTERNATIONAL	1	EA	4/21/2017
14	NP	15.00396	GARMIN - GPSMAP 742XS - US & CANADA	1	EA	4/21/2017
18	5b	1266	LATCH - NON LOCKING FLIP/ TWIST SS	1	EA	12/7/2017
16	1	34.00304	STANDPIPE - ADJUSTABLE LIVWELL	2	EA	9/15/2016
16	3	47.00077	ADJUSTABLE FIN - SAFE LIVE WELL FEED	3	EA	9/15/2016
16	4	25.00015	LIGHT - BLUE LED BULKHEAD LIVE WELL LIGHT	1	EA	9/15/2016
16	NP	47.00075	THRU HULL - 1" FNPT X 1" TUBE 90 DEG ADAPTER	3	EA	9/15/2016
16	NP	34.00288	DRAIN - 1.5" HATCH	1	EA	9/15/2016
16	NP	27.00196	GASKET - 1 7/8"	2	EA	9/15/2016
16	NP	47.00072	THRU HULL - 1.5" FNPT X 1.5" TUBE 90 DEG ADAPTER	3	EA	9/15/2016
19	NP	13.03558	HARNESS - AFT DISTRIBUTION	1	EA	9/15/2016
19	NP	13.03560	HARNESS - HELM DISTRIBUTION	1	EA	9/15/2016
19	7	59.00128	HOSE - 3/4" WATER	6	FT	9/15/2016
20	NP	25.00123	LIGHT - RECTANLE RADIANCE 500 LUMEN SURFACE MNT	1	EA	4/5/2017
24	4	15.00236	TRANSDUCER - AIRMAR B60 THRU HULL 20 8-PIN	1	EA	4/21/2017
24	15	35.00025	PUMP - 1200 TSUNAMI W/DEUSTCH CONNECTOR	3	EA	9/15/2016
24	15	47.00055	1" BALL VALVE	2	EA	9/15/2016
24	15	34.00307	FITTING - 1" BRASS TEE	1	EA	9/15/2016
24	15	34.00302	STRAINER - 1" INTAKE	2	EA	9/15/2016
24	15	34.00306	FITTING - 1" PIPE NIPPLE BRASS	1	EA	9/15/2016
24	15	34.00309	FITTING - CONNECTOR 90 DEG ELBOW	1	EA	9/15/2016
24	15	34.00303	FITTING - STRAIGHT ADAPTER	2	EA	9/15/2016
24	15	34.00309	FITTING - CONNECTOR 90 DEG ELBOW	1	EA	9/15/2016
24	15	59.00141	HOSE - 1" WATER	20	EA	9/15/2016
24	15	59.00141	HOSE - 1" WATER	2 @ 4	EA	9/15/2016
24	4	15.00236	TRANSDUCER - AIRMAR B60 THRU HULL 20 8-PIN	1	EA	4/21/2017

*Items with NP are not pictured.